

kreon ato



Discover the exceptional versatility of kreon ato and kreon ato in-line, a dynamic duo of premium recessed indoor spotlights designed to deliver focused light. These lighting tools are specifically crafted to cater to accent lighting requirements in a wide range of settings, including residential environments, commercial spaces, and hospitality projects.

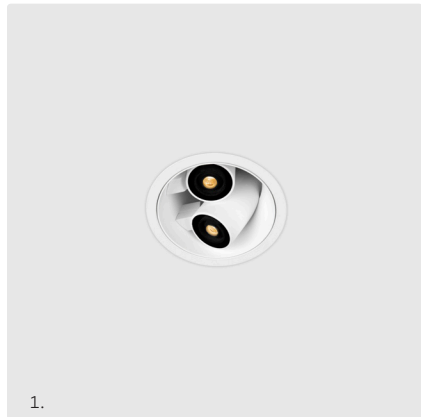
kreon ato and kreon ato in-line spotlights boast impressive features that allow for precise adjustments. With a 360° rotational adjustment and a 30° angular adjustment, these fixtures offer unparalleled flexibility. Combined with the option to choose high-quality reflectors featuring faceted spherical smooth surfaces, they provide an incredibly versatile solution for accent lighting.

The single version of these spotlights offers two beam angle options: flood (30°) and wide flood (40°). Additionally, they can be equipped with professional screening accessories to further enhance their performance. On the other hand, the twin edition of kreon ato features two lampheads with 30° flood optics, each capable of independent tilting.

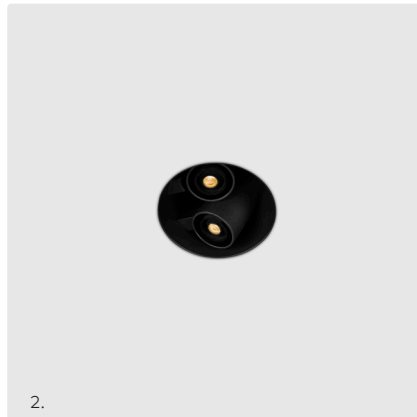
kreon ato spotlight is elegantly finished with a trim, adding a refined touch to its design. Meanwhile, kreon ato in-line version offers the choice of a trimless finish using a plasterkit or a finish with shadowgap, allowing for seamless integration into the ceiling.

Experience the versatility and precision of kreon ato and kreon ato in-line as they elevate the art of accent lighting, providing customizable solutions for various architectural and design projects.





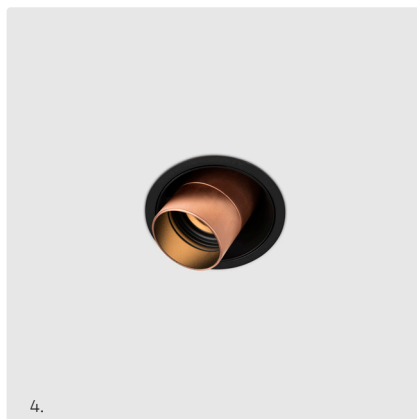
1.



2.



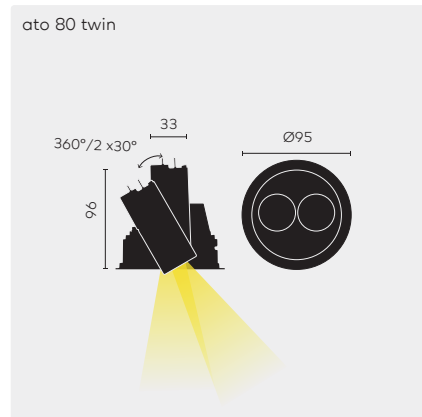
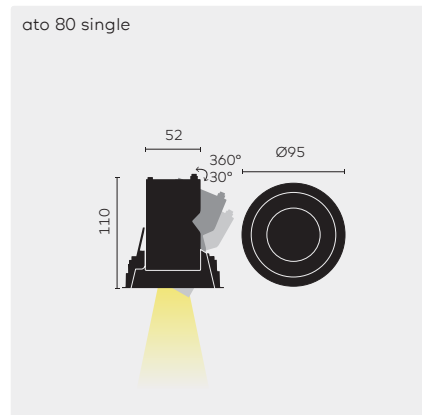
3.





4.

1. ato 80 twin, white with white lampheads
2. ato in-line 80 twin, black with black lampheads
3. ato in-line 80 single, white with chrome lamphead
4. ato 80 single, black with copper lamphead and glare preventer





	Colour trim	KR-code	Light sources	9027 2700K, CRI90+	9030 3000K, CRI90+	FL Flood (30°)	WFL Wide flood (40°)	P1 White lamphead	P2 Black lamphead	A0 Chrome lamphead	A5 Red copper lamphead	Optional accessories
 ato 80 single Ø 90 H min. 110	○	KR937911	①	●	●	●	●	●	●	●	●	■
	●	KR937912	①	●	●	●	●	●	●	●	●	■
 ato 80 twin Ø 90 H min. 110	○	KR937621	②	●	●	●	●	●	●			■
	●	KR937622	②	●	●	●	●	●	●			■
Optional accessories												
Plasterkit concrete		KR737702		Plasterkit for concrete installation								
Glare preventer (only for ato 80 single)	○	KR706721		Straight glare preventer, white, H30								
	●	KR706722		Straight glare preventer, black, H30								
	●	KR706720		Straight glare preventer, chrome, H30								
	●	KR706725		Straight glare preventer, red copper, H30								
Lenses ①		KR706070		Anti-glare louvre								
		KR706270		Diffusing lens								
Driver		KR772024		LED driver, 500mA, ON/OFF, 20W								
		KR772220		LED driver, 500mA, 1-10V, 20W								
		KR772126		LED driver, 500mA, DALI, 20W								
		KR772542		LED driver, 500mA, phase dimming, 18W								
		KR772229		LED driver, 500mA, Casambi, 27W								
		KR772034		LED driver, 700mA, ON/OFF, 20W								
		KR772232		LED driver, 700mA, 1-10V, 20W								
		KR772236		LED driver, 700mA, DALI, 18W								
		KR772931		LED driver, 700mA, phase dim, 14W								
		KR772239		LED driver, 700mA, Casambi, 36W								

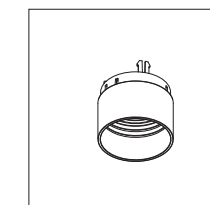
	CRI	CCT	Wattage	Drive current	Fixture lumen
① LED	CRI90+	2700K/3000K	12W	700mA	1150lm
② LED	CRI90+	2700K/3000K	2 x 5,9W	500mA	2 x 325lm

REMARKS

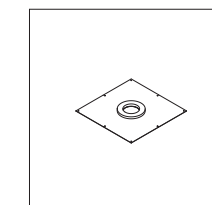
① Lenses only in combination with a glare preventer. Max. 2 accessories per glare preventer.

Thickness boardmaterial: 9-26mm
Gear excluded.
⊕ IP20

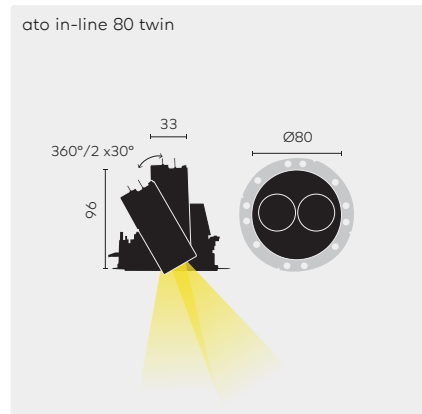
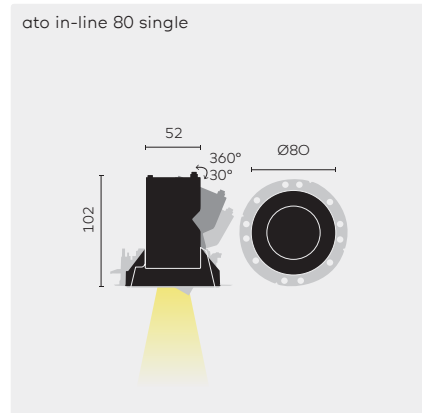
Straight glare preventer



Plasterkit concrete



kreon ato in-line



	Colour louvre	KR-code	Light sources	9027 2700K, CRI90+	9030 3000K, CRI90+	FL Flood (30°)	WFL Wide flood (40°)	P1 White lamphead	P2 Black lamphead	A0 Chrome lamphead	A5 Red copper lamphead	Required accessories	Optional accessories
ato in-line 80 single Ø 102 H min. 110	○	KR917911	①	●	●	●	●	●	●	●	●	■	■
	●	KR917912	①	●	●	●	●	●	●	●	●	■	■
ato in-line 80 twin Ø 102 H min. 110	○	KR917621	②	●	●	●	●	●	●			■	■
	●	KR917622	②	●	●	●	●	●	●			■	■
■ Required accessories													
Plasterkit		KR717104		Plasterkit, no shadowgap, trimless finish									
		KR717108		Plasterkit, shadowgap, trimless finish									
Plasterkit concrete		KR717101		Plasterkit for concrete installation, no shadowgap (430x430)									
		KR717102		Plasterkit for concrete installation, no shadowgap, small (200x200)									
		KR717109		Plasterkit for concrete installation, shadowgap (430x430)									
		KR717107		Plasterkit for concrete installation, shadowgap, small (200x200)									
■ Optional accessories													
Glare preventer (only for ato in-line 80 single)	○	KR706721		Straight glare preventer, white, H30									
	●	KR706722		Straight glare preventer, black, H30									
	●	KR706720		Straight glare preventer, chrome, H30									
	●	KR706725		Straight glare preventer, red copper, H30									
Lenses ①		KR706070		Anti-glare louvre									
		KR706270		Diffusing lens									
Driver		KR772024		LED driver, 500mA, ON/OFF, 20W									
		KR772220		LED driver, 500mA, 1-10V, 20W									
		KR772126		LED driver, 500mA, DALI, 20W									
		KR772542		LED driver, 500mA, phase dimming, 18W									
		KR772229		LED driver, 500mA, Casambi, 27W									
		KR772034		LED driver, 700mA, ON/OFF, 20W									
		KR772232		LED driver, 700mA, 1-10V, 20W									
		KR772236		LED driver, 700mA, DALI, 18W									
		KR772931		LED driver, 700mA, phase dim, 14W									
		KR772239		LED driver, 700mA, Casambi, 36W									
Distance rings (for plasterkit concrete)		KR717307		Distance ring, 2mm (set of 5pcs.)									
		KR717308		Distance ring, 3mm (set of 5pcs.)									
		KR717309		Distance ring, 5mm (set of 5pcs.)									

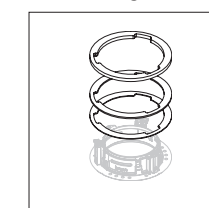
	CRI	CCT	Wattage	Drive current	Fixture lumen
① LED	CRI90+	2700K/3000K	12W	700mA	1150lm
② LED	CRI90+	2700K/3000K	2 x 5,9W	500mA	2 x 325lm

REMARKS

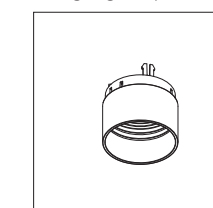
① Lenses only in combination with a glare preventer. Max. 2 accessories per glare preventer.

Thickness boardmaterial: 9-26mm
Gear excluded.
♦ IP20

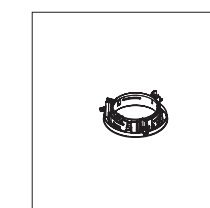
Distance rings



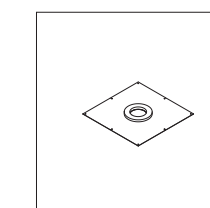
Straight glare preventer



Plasterkit



Plasterkit concrete





kreon offices

kreon HQ

Industrieweg-Noord 1152
3660 Oudsbergen
Belgium
T +32 89 81 97 80
belgium@kreon.com
www.kreon.com

kreon Austria

Eva-Maria-Mazzucco-Platz 2
1220 Vienna
Austria
T +43 1 715 44 25
austria@kreon.com

kreon China / The Belgian House

Changle Road Lane 672, No. 33,
Building No. 5,
Jingan, Shanghai
China
T +86 183 1711 3541
china@kreon.com

kreon France

5, rue d'Aboukir
75002 Paris
France
T +33 1 44 50 53 54
france@kreon.com

kreon Germany

Brühler Straße 11-13
50968 Cologne
Germany
T +49 221 937 22 0
germany@kreon.com

kreon Italy

Via V. Forcella 5
20144 Milano
Italy
T +39 02 89 42 08 46
italy@kreon.com

kreon Middle East & India

Dubai Airport Free Zone Area (DAFZA)
West Wing 6
Office 6 WA 634
P.O. Box 293889
Dubai
United Arab Emirates
T +971 56 705 2522
middle.east@kreon.com

kreon Inc.

North America & Canada

20 Murray Hill Parkway
Suite #180
East Rutherford NJ 07073
United States of America
+1 (201) 298-44 48
usa@kreon.com

kreon Scandinavia

T +31 (0)6 52 39 16 80
auke.bakker@kreon.com

kreon South East Asia

T +65 62 22 33 93
singapore@kreon.com

kreon Spain & Portugal

Ángel Guimera 7-9 local C
Barcelona 08017
Spain
T +34 600 462 551
spain@kreon.com

kreon Switzerland

Neufeldweg 6
5103 Möriken
Switzerland
T +41 61 316 74 01
switzerland@kreon.com

kreon The Netherlands

Danzigerbocht 39
1013 AM Amsterdam
The Netherlands
T +31 (0)6 52 391 680
the.netherlands@kreon.com

kreon Turkey

Sehit Murat Demirli Cad.
Resadiye Yolu 76
Alemdag-Ümraniye 34794
Istanbul
Turkey
T +90 216 430 86 00
turkey@kreon.com

kreon UK

67 Maltings Place
169 Tower Bridge Road
London
SE1 3LJ
United Kingdom
T +44 (0)20 7740 2112
uk@kreon.com