

# kreon 48V track



Track lighting is ideal for areas where you lack space or are in need of flexible lighting solutions. Great for showrooms, retail stores, restaurants or home environments. Track lights can be used to illuminate every space from a dark hallway to an office, to a cozy living room or to highlight beautiful artwork. Track lighting offers endless applications, they're a good choice for any room.

kreon 48V track is a range of low voltage profiles consisting of a surface-mounted, pendant, recessed and a deep recessed variant.

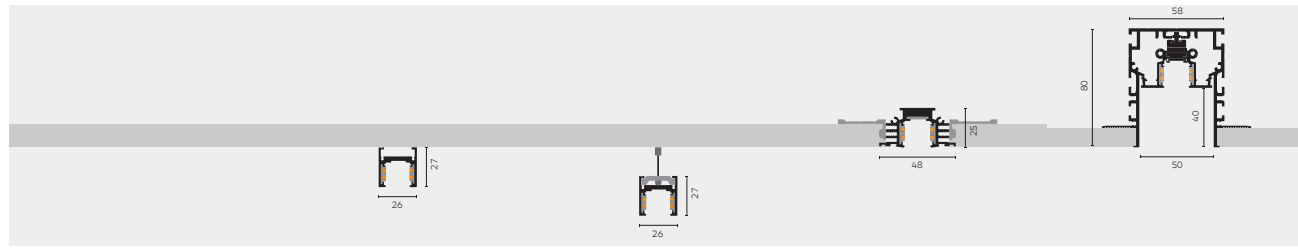
An extended range of spots, with 48V adapter, can easily be clicked on any desired place on the track thanks to a brilliant magnetic system. As a result, you do not need any additional tools for the installation of the luminaires. The position or rotation of the luminaire can be adjusted at any time and within a few seconds.




















# kreon 48V track overview

Project Private residence  
Location Londen, UK

Architect Syte Architects  
Photographer Olly Hammick



## product series compatibility

|   |   |   |   |   |   |
|---|---|---|---|---|---|
| kreon diapason  |   |   |   |   |   |
|  40              | • | • | • | • | • |
|  80              | • | • | • | • | • |
|  120             | • | • | • | • | • |
| kreon holon 40  |   |   |   |   |   |
|  fixed single    | • | • | • | • | • |
|  fixed double    | • | • | • | • | • |
|  directional     | • | • | • | • | • |
|  pendant       | • | • | • | • | • |
| kreon holon 60  |   |   |   |   |   |
|  fixed single  | • | • | • | • | • |
|  fixed double  | • | • | • | • | • |
|  directional   | • | • | • | • | • |
| kreon lini 10   |   |   |   |   |   |
|  line          | • | • | • | • | • |
| kreon oran  |   |   |   |   |   |
|  pendant craft | • | • | • | • | • |
|  pendant glass | • | • | • | • | • |
|  pendant stone | • | • | • | • | • |
| kreon prologe 40  |   |   |   |   |   |
|  fixed single  | • | • | • | • | • |
|  fixed double  | • | • | • | • | • |
|  directional   | • | • | • | • | • |



kreon 48V track profiles come in different installation variations suitable for any type of interior lay-out.

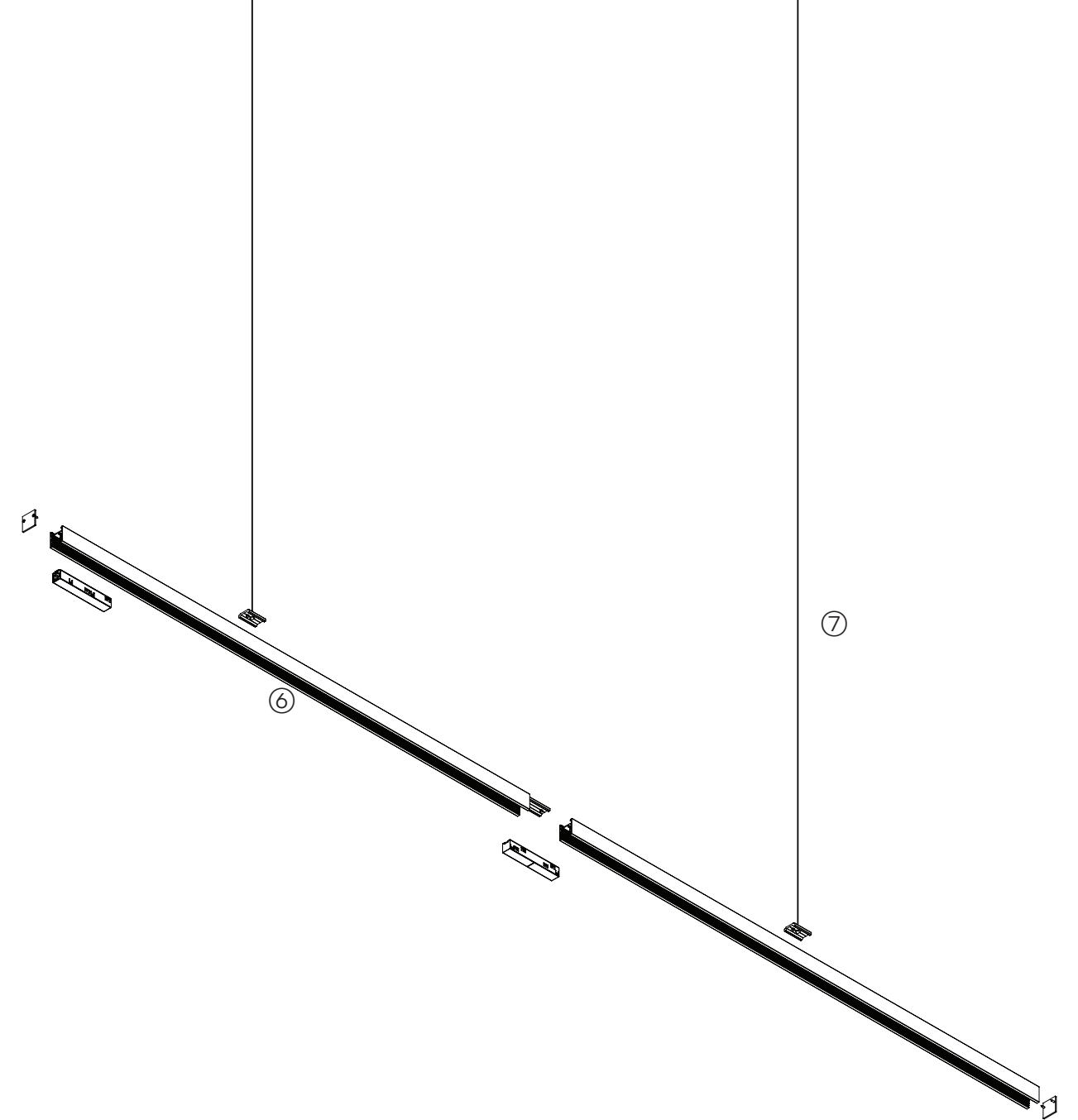
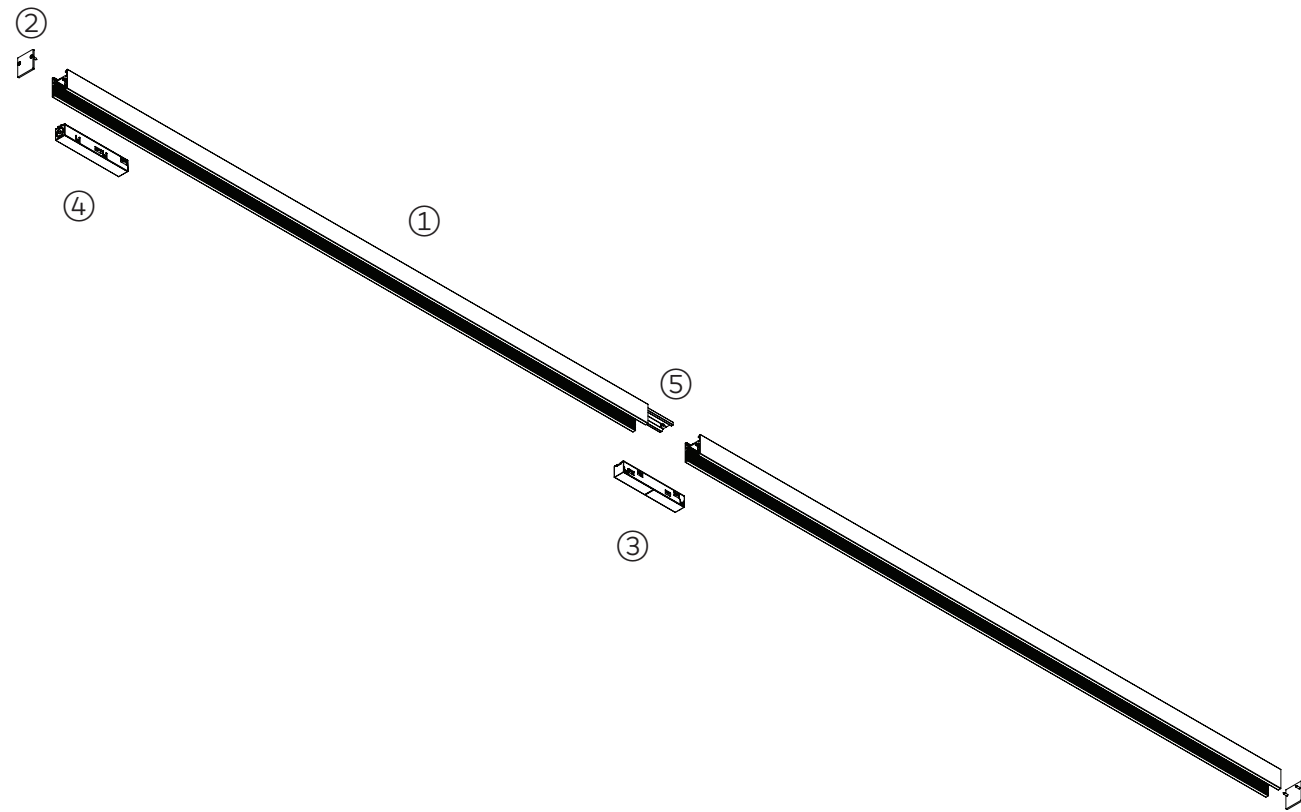
The surface mounted track profile is a convenient solution to install on surfaces. The pendant installation is assigned when the lighting needs to be lowered in situations with a high ceiling. The trimless recessed profile creates a minimal slot in the ceiling surface while the deeply recessed track profile emphasizes architectural lines in a space. kreon 48V track deep recessed 40 demonstrates how architecture can be defined by light and turns the ceiling into a flexible architectural playground.

The profile system is a magnetic low voltage system requiring 48Vdc input. Within the track profiles additional databus lines for DALI or 1-10V light control are built in. To control DALI track luminaires wireless, an optional Casambi enabled gateway can be added to the track for wireless bluetooth control. An optional surface mounted gearbox is a solution for on surface 230Vdc conversion in case the power converter can't be placed on remote.



# kreon 48V track profiles

surface mounted and suspended

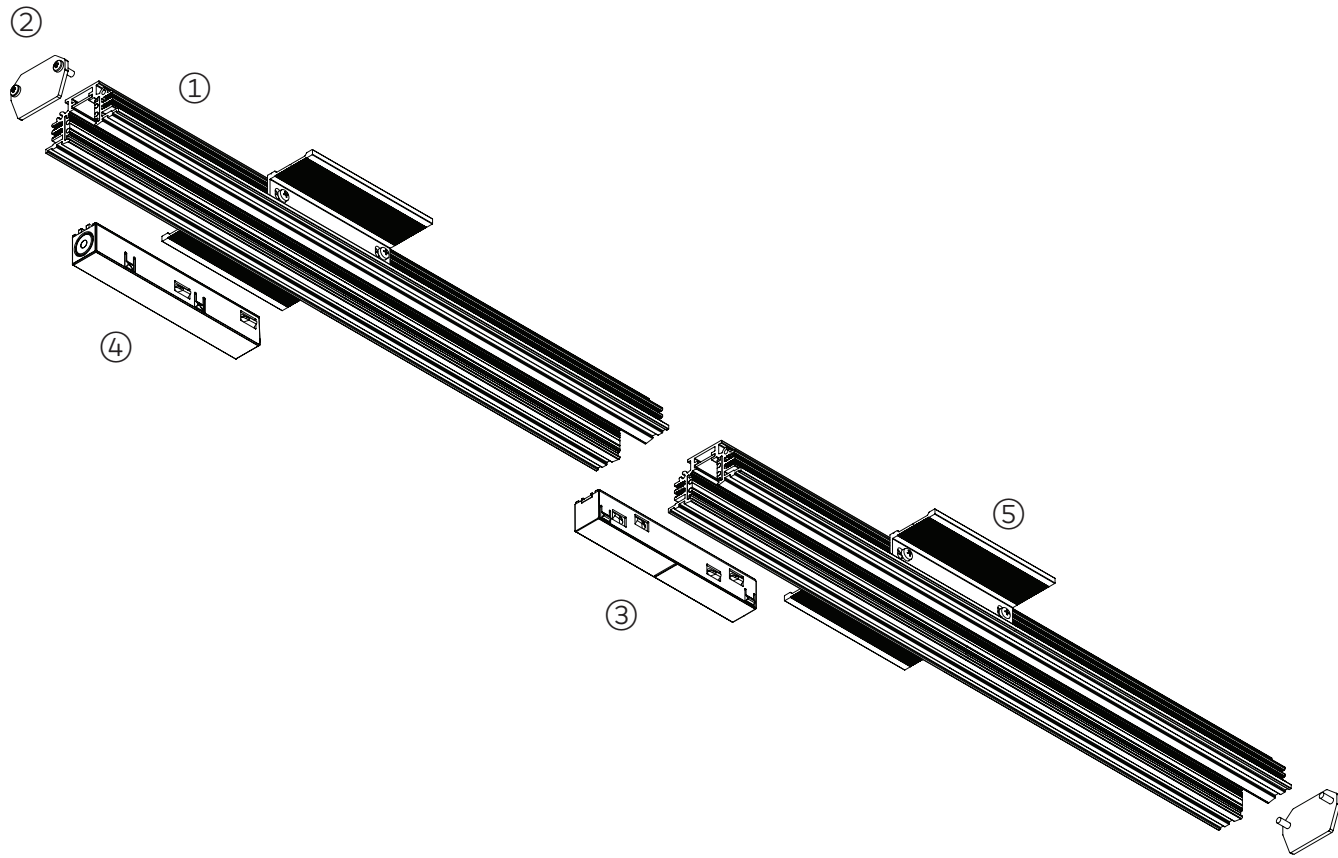


- ① Standard low voltage track profile
- ② End cap standard
- ③ Straight connector
- ④ Feed
- ⑤ Reinforcing bracket to connect two tracks mechanically
- ⑥ Pendant clip
- ⑦ Steel wire for suspended profile

# kreon 48V track profiles recessed

Project Brasserie Julienne  
Location Hoogstraten, Belgium

Architect Karin Janssens interiors  
Photographer Arne Jennard

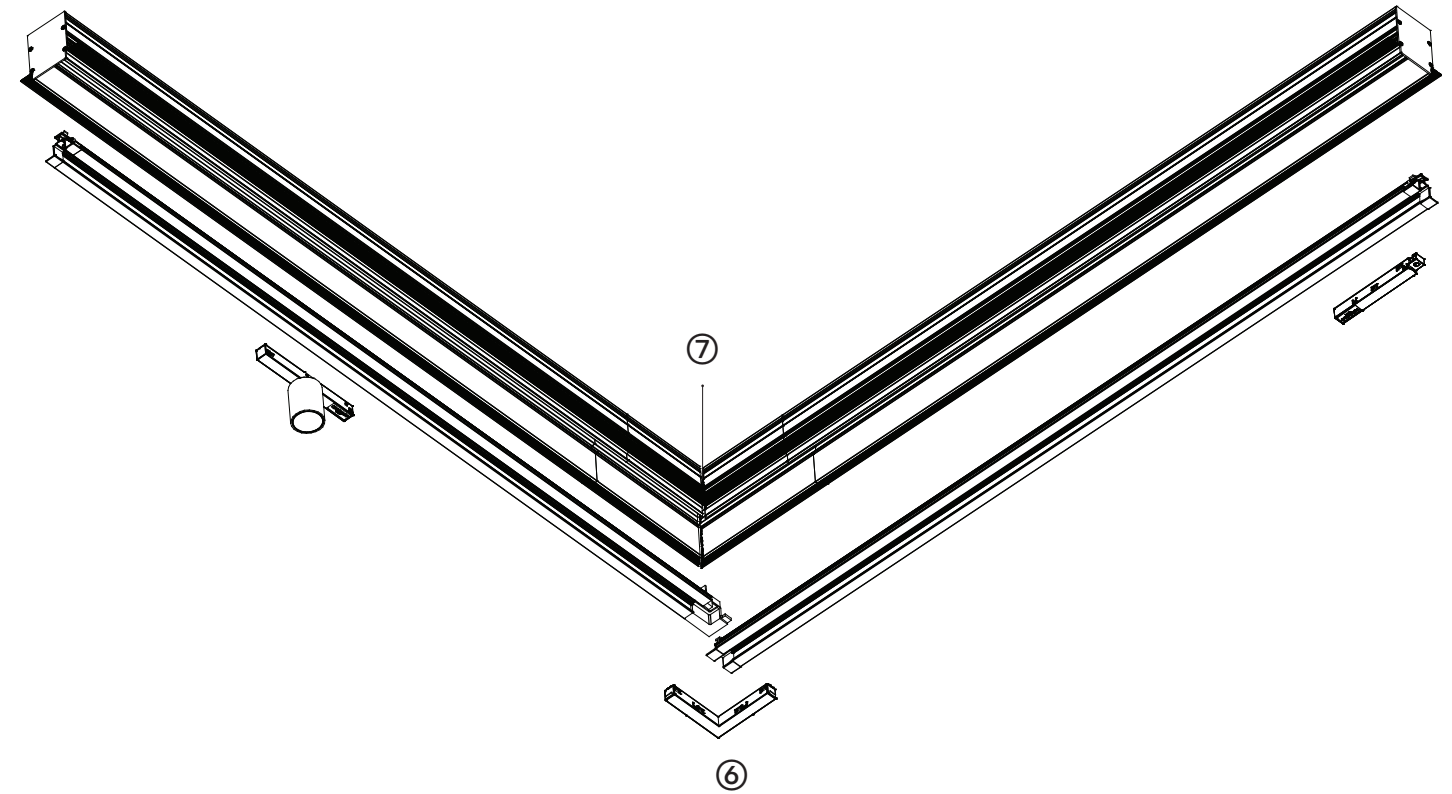


- ① Recessed profile
- ② End cap standard
- ③ Straight connector
- ④ Feed
- ⑤ Mounting bracket to mount the recessed profile



# kreon 48V track profiles

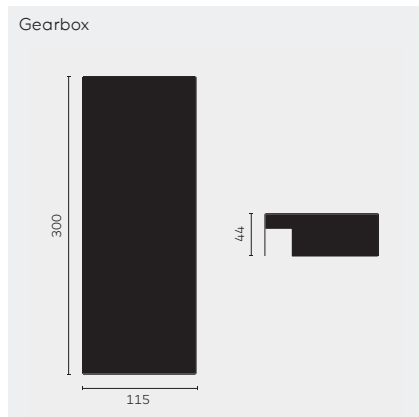
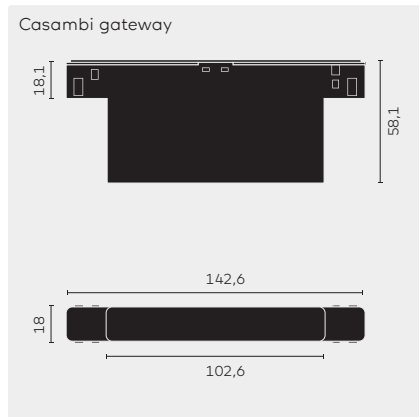
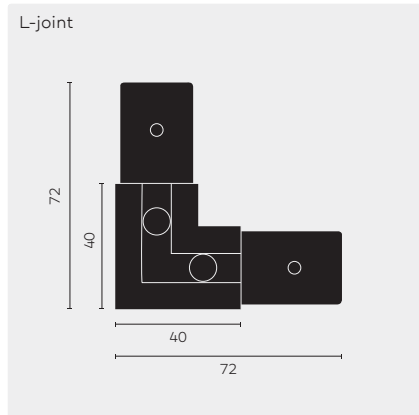
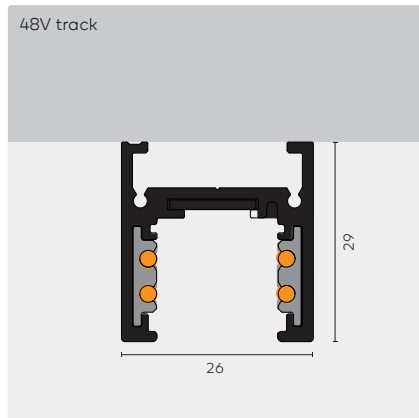
## deep recessed



- ① straight connector
- ② downlight on-track
- ③ 48V track profile
- ④ feed connector
- ⑤ kreon deep recessed profile
- ⑥ 48V track corner cut
- ⑦ deep recessed corner cut

# kreon 48V track profiles

## surface mounted and suspended



### Standard low voltage track profile

### Accessories

### Power supply

### Suspension components

### Gearboxes endfeed ①

### Gearboxes midfeed ①

### Casambi gateway ②

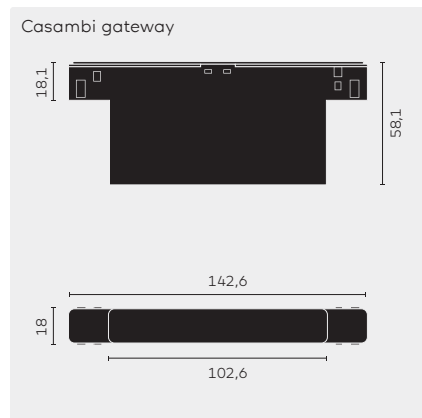
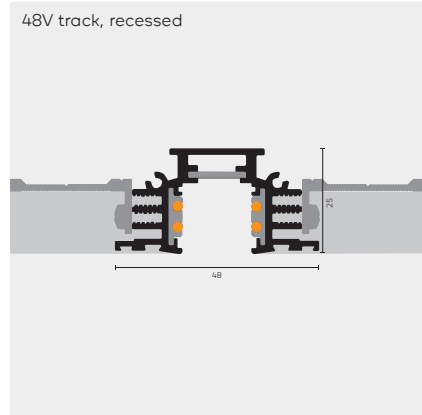
|                                  |                          |  |
|----------------------------------|--------------------------|--|
| <input type="radio"/>            | <a href="#">KR746091</a> | 1000mm, white  |
| <input checked="" type="radio"/> | <a href="#">KR746092</a> | 1000mm, black  |
| <input type="radio"/>            | <a href="#">KR746191</a> | 2000mm, white  |
| <input checked="" type="radio"/> | <a href="#">KR746192</a> | 2000mm, black  |
| <input type="radio"/>            | <a href="#">KR746291</a> | 3000mm, white  |
| <input checked="" type="radio"/> | <a href="#">KR746292</a> | 3000mm, black  |
| <input type="radio"/>            | <a href="#">KR746401</a> | End cap standard low voltage track, white  |
| <input checked="" type="radio"/> | <a href="#">KR746402</a> | End cap standard low voltage track, black  |
| <input type="radio"/>            | <a href="#">KR746511</a> | Feed connector low voltage, white  |
| <input checked="" type="radio"/> | <a href="#">KR746512</a> | Feed connector low voltage, black  |
| <input type="radio"/>            | <a href="#">KR746531</a> | Straight connector low voltage, white  |
| <input checked="" type="radio"/> | <a href="#">KR746532</a> | Straight connector low voltage, black  |
| <input type="radio"/>            | <a href="#">KR746611</a> | L-connector low voltage, white   |
| <input checked="" type="radio"/> | <a href="#">KR746612</a> | L-connector low voltage, black   |
| <input type="radio"/>            | <a href="#">KR746701</a> | Mechanical L-joint, white  |
| <input checked="" type="radio"/> | <a href="#">KR746702</a> | Mechanical L-joint, black  |
|                                  | <a href="#">KR746920</a> | Cutting tool for track conductors  |
|                                  | <a href="#">KR790474</a> | Power supply 48Vdc, 60W  |
|                                  | <a href="#">KR790475</a> | Power supply 48Vdc, 100W   |
|                                  | <a href="#">KR790476</a> | Power supply 48Vdc, 240W (IP67)  |
|                                  | <a href="#">KR746710</a> | Suspension steel wire 1500mm   |
|                                  | <a href="#">KR746810</a> | Suspension steel wire 2500mm   |
|                                  | <a href="#">KR746830</a> | Pendant clip for suspension by steel wire, short   |
|                                  | <a href="#">KR746930</a> | Pendant clip for suspension by steel wire, long – can be used as reinforcing bracket to connect two pieces of tracks |
| <input type="radio"/>            | <a href="#">KR790173</a> | Gearbox, endfeed, white 30W  |
| <input checked="" type="radio"/> | <a href="#">KR790174</a> | Gearbox, endfeed, black 30W  |
| <input type="radio"/>            | <a href="#">KR790175</a> | Gearbox, endfeed, white 60W  |
| <input checked="" type="radio"/> | <a href="#">KR790176</a> | Gearbox, endfeed, black 60W  |
| <input type="radio"/>            | <a href="#">KR790177</a> | Gearbox, endfeed, white 100W   |
| <input checked="" type="radio"/> | <a href="#">KR790178</a> | Gearbox, endfeed, black 100W   |
| <input type="radio"/>            | <a href="#">KR790275</a> | Gearbox, midfeed, white 60W  |
| <input checked="" type="radio"/> | <a href="#">KR790276</a> | Gearbox, midfeed, black 60W  |
| <input type="radio"/>            | <a href="#">KR790277</a> | Gearbox, midfeed, white 100W   |
| <input checked="" type="radio"/> | <a href="#">KR790278</a> | Gearbox, midfeed, black 100W   |
| <input type="radio"/>            | <a href="#">KR762171</a> | Casambi DALI gateway for 48vdc track, white  |
| <input checked="" type="radio"/> | <a href="#">KR762172</a> | Casambi DALI gateway for 48vdc track, black  |

### REMARKS

- ① Use gearbox only with surface mounted profile.
- ② Use Casambi DALI gateway only with DALI enabled 48V track luminaires max. 48Vdc, rated current max. 15A, class III (SELV)  
RAL colour of white profile: RAL9016  
RAL colour of black profile: RAL9005



# kreon 48V track profiles recessed



Recessed, trimless low voltage track profile

Accessories

Power supply

Casambi gateway ①

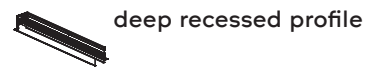
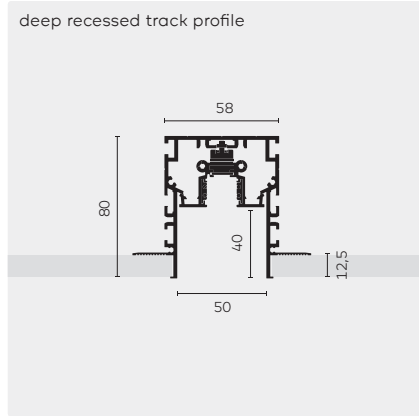
|   |                          |  |
|---|--------------------------|--|
| ● | <a href="#">KR746390</a> | Recessed profile, 1000mm   |
| ● | <a href="#">KR746490</a> | Recessed profile, 2000mm   |
| ● | <a href="#">KR746590</a> | Recessed profile, 3000mm   |
| ● | <a href="#">KR746602</a> | End cap recessed low voltage track                                   |
| ○ | <a href="#">KR746511</a> | Feed connector low voltage, white                                    |
| ● | <a href="#">KR746512</a> | Feed connector low voltage, black                                    |
| ○ | <a href="#">KR746531</a> | Straight connector low voltage, white                                |
| ● | <a href="#">KR746532</a> | Straight connector low voltage, black                                |
| ○ | <a href="#">KR746611</a> | L-connector low voltage, white                                       |
| ● | <a href="#">KR746612</a> | L-connector low voltage, black                                       |
|   | <a href="#">KR746800</a> | Reinforcing bracket to join two pieces of low voltage recessed track |
|   | <a href="#">KR746900</a> | Mounting bracket for recessed low voltage profile                    |
|   | <a href="#">KR746920</a> | Cutting tool for track conductors                                    |
|   | <a href="#">KR790474</a> | Power supply 48Vdc, 60W  |
|   | <a href="#">KR790475</a> | Power supply 48Vdc, 100W   |
|   | <a href="#">KR790476</a> | Power supply 48Vdc, 240W (IP67)                                      |
| ○ | <a href="#">KR762171</a> | Casambi DALI gateway for 48vdc track, white                          |
| ● | <a href="#">KR762172</a> | Casambi DALI gateway for 48vdc track, black                          |

#### REMARKS

① Use Casambi DALI gateway only with DALI enabled 48V track luminaires  
max. 48Vdc, rated current max. 15A, class III (SELV)  
Thickness boardmaterial: 12,5; 15 or 18 mm  
RAL colour of white profile: RAL9016  
RAL colour of black profile: RAL9005

# kreon 48V track profiles

## deep recessed



### standard configurations ②

length is 2038mm

length is 3038mm

length is 4071mm

length is 5071mm

| Colour | KR-code | Required accessories ① | Optional accessories ① |
|--------|---------|------------------------|------------------------|
|--------|---------|------------------------|------------------------|

|   |                          |   |   |
|---|--------------------------|---|---|
| ○ | <a href="#">KR745201</a> | ■ | ■ |
| ● | <a href="#">KR745202</a> | ■ | ■ |

|   |                          |                                     |   |
|---|--------------------------|-------------------------------------|---|
| ○ | <a href="#">KR945601</a> | deep recessed profile 2038mm, white | ■ |
| ● | <a href="#">KR945602</a> | deep recessed profile 2038mm, black | ■ |
| ○ | <a href="#">KR945701</a> | deep recessed profile 3038mm, white | ■ |
| ● | <a href="#">KR945702</a> | deep recessed profile 3038mm, black | ■ |
| ○ | <a href="#">KR945801</a> | deep recessed profile 4071mm, white | ■ |
| ● | <a href="#">KR945802</a> | deep recessed profile 4071mm, black | ■ |
| ○ | <a href="#">KR945901</a> | deep recessed profile 5071mm, white | ■ |
| ● | <a href="#">KR945902</a> | deep recessed profile 5071mm, black | ■ |

### REMARKS

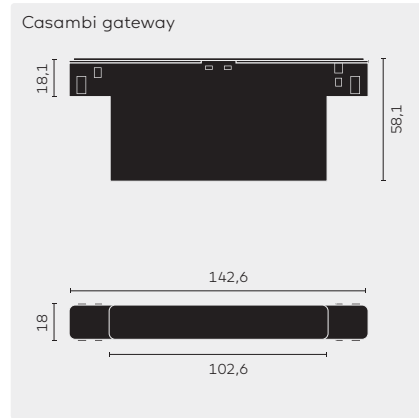
① Accessories on page 456-457

② Standard configurations are supplied with included 48Vdc track profile + feed connector

Min. depth: 80mm  
 thickness boardmaterial: 12,5mm  
 Length is made-to-measure, max. 6000mm

# kreon 48V track profiles

## deep recessed



### ■ Required accessories

48Vdc track

- [KR745401](#) 48Vdc track, 1000mm, white
- [KR745402](#) 48Vdc track, 1000mm, black
- [KR745501](#) 48Vdc track, 2000mm, white
- [KR745502](#) 48Vdc track, 2000mm, black
- [KR745601](#) 48Vdc track, 3000mm, white
- [KR745602](#) 48Vdc track, 3000mm, black

Feed connector

- [KR746511](#) End feed connector, white
- [KR746512](#) End feed connector, black

### ■ Optional accessories

Corner cut <sup>1</sup>

- [KR765501](#) 90° corner cut deep recessed profile, white
- [KR765502](#) 90° corner cut deep recessed profile, black
- [KR765601](#) 48Vdc track, corner cut 90°, white
- [KR765602](#) 48Vdc track, corner cut 90°, black

Power supply

- [KR790474](#) Power supply, 48Vdc, 60W
- [KR790475](#) Power supply, 48Vdc, 100W
- [KR790476](#) Power supply, 48Vdc, 240W

Connectors

- [KR746531](#) Straight connector low voltage, white
- [KR746532](#) Straight connector low voltage, black
- [KR746611](#) L-connector low voltage, white
- [KR746612](#) L-connector low voltage, black

Cutting tool <sup>2</sup>

- [KR746920](#) Cutting tool for track conductors

Casambi gateway

- [KR762171](#) Casambi DALI gateway for 48vdc track, white
- [KR762172](#) Casambi DALI gateway for 48vdc track, black

### REMARKS

max. 48Vdc, rated current max. 15A, class III (SELV)

kreon deep recessed track profile is supplied on requested length. Required track profiles need to be ordered separately and cut to the required length on site.

<sup>1</sup> Not applicable on standard configured lengths.

<sup>2</sup> In case the 48Vdc tracks need to be shortened during installation, use the special pliers to cut back the copper wires of the track.

IP40

# kreon 48V track luminaires

holon 40 downlight

Project Private residence  
Location Belgium

Architect Michael Livois  
Photographer Nick Canaerts

prologe 40 downlight

Project Private residence  
Location The Netherlands

Architect Cs2 Architecten  
Photographer Serge Brison



# kreon 48V track luminaires

kreon 48V track profile system can be equipped with multiple track luminaires. You can choose from a wide range of colour temperatures, CRI values and dimming protocols. All fixtures can be dimmed wireless via the Casambi app.

Latest additions to the 48V track range are kreon holon 40 and kreon prologe 40 downlight. The cylindrical kreon holon downlight or cubical kreon prologe downlight luminaires protrude slightly from the profile housing.

These low voltage track modules, in single or double, are available as a downlight for general lighting or as a wallwash for vertical illuminance. Also new to the 48V track range are kreon holon pendant and kreon oran pendant.

The other kreon 48Vdc track luminaires include kreon holon 40 directional, kreon lini 10 and kreon diapason 40. The profiles allow a combination of modules for direct, indirect and linear lighting, a perfect way to enhance the spacial feeling of the room.

holon 40 directional &  
pendant on-track

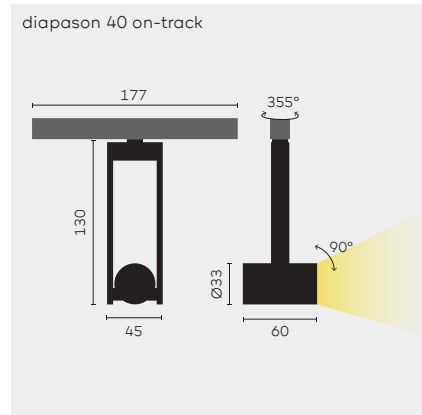
Project Gallery Jochen Leën  
Location Antwerp, Belgium

Photographer Serge Brison



# kreon 48V track luminaires

## diapason 40



diapason 40 on-track

| Colour | KR-code  | Light sources | 9027<br>2700K, CRI90 | 9030<br>3000K, CRI90 | SP<br>Spot (12°) | FL<br>Flood (24°) | WFL<br>Wide flood (38°) | SW<br>Switchable ON/OFF | VD<br>1-10V dimming ① | DD<br>DALI dimming |
|--------|----------|---------------|----------------------|----------------------|------------------|-------------------|-------------------------|-------------------------|-----------------------|--------------------|
| ○      | KR906621 | ①             | ●                    | ●                    | ●                | ●                 | ●                       | ●                       | ●                     | ●                  |
| ●      | KR906622 | ①             | ●                    | ●                    | ●                | ●                 | ●                       | ●                       | ●                     | ●                  |

|       | CRI    | CCT         | Voltage | Wattage | Fixture lumen |
|-------|--------|-------------|---------|---------|---------------|
| ① LED | CRI90+ | 2700K/3000K | 48V     | 4,5W    | 109lm         |

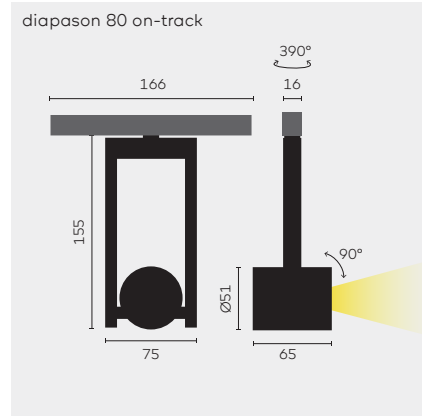
#### REMARKS

① Recommended to use in combination with active 1-10V dimming. It is recommended not to use 1-10V dim fixtures having no 1-10V signal connected to the track.

◆ IP40

# kreon 48V track luminaires

## diapason 80



### Optional accessories

Glare preventer for diapason 80

Louvres and lenses for diapason 80 ③

| Colour | KR-code | Light sources | 9027<br>2700K, CRI90 | 9030<br>3000K, CRI90 | SP<br>Spot (20°) | FL<br>Flood (30°) | WFL<br>Wide flood (40°) | SW<br>Switchable ON/OFF | VD<br>1-10V dimming ② | DD<br>DALI dimming | Optional accessories |
|--------|---------|---------------|----------------------|----------------------|------------------|-------------------|-------------------------|-------------------------|-----------------------|--------------------|----------------------|
|--------|---------|---------------|----------------------|----------------------|------------------|-------------------|-------------------------|-------------------------|-----------------------|--------------------|----------------------|

|   |          |   |   |   |   |   |   |   |   |   |   |
|---|----------|---|---|---|---|---|---|---|---|---|---|
| ○ | KR916621 | ① | ● | ● | ● | ● | ● | ● | ● | ● | ■ |
| ● | KR916622 | ① | ● | ● | ● | ● | ● | ● | ● | ● | ■ |

|   |          |  |
|---|----------|--|
| ○ | KR706721 | Straight glare preventer, white (H 30) |
| ● | KR706722 | Straight glare preventer, black (H 30) |
| ○ | KR706731 | Rounded glare preventer, white (H 54)  |
| ● | KR706732 | Rounded glare preventer, black (H 54)  |

|  |          |                   |
|--|----------|-------------------|
|  | KR706070 | Anti-glare louvre |
|  | KR706270 | Diffusing lens    |

### REMARKS

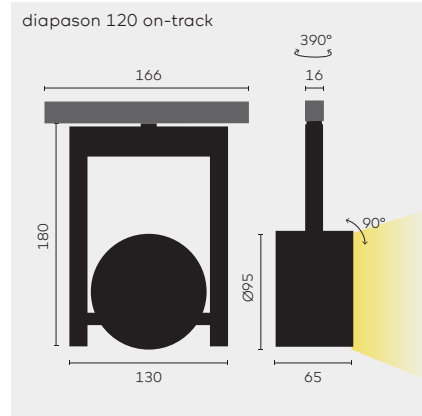
- ① Not suitable for use with 48V deep recessed track
- ② Recommended to use in combination with active 1-10V dimming. It is recommended not to use 1-10V dim fixtures having no 1-10V signal connected to the track.
- ③ Lenses only in combination with a glare preventor. Max. 2 accessories per glare preventor.

● Black luminaire with copper lamphead  
◆ IP40

|       | CRI    | CCT         | Voltage | Wattage | Fixture lumen |
|-------|--------|-------------|---------|---------|---------------|
| ① LED | CRI90+ | 2700K/3000K | 48V     | 8,2W    | 428lm         |

# kreon 48V track luminaires

## diapason 120



### Optional accessories diapason 120

#### Glare preventer for diapason 120

|   |                 |  |
|---|-----------------|--|
| ○ | <b>KR706821</b> | Straight glare preventer, white (H 40) |
| ● | <b>KR706822</b> | Straight glare preventer, black (H 40) |
| ○ | <b>KR706831</b> | Rounded glare preventer, white (H 90)  |
| ● | <b>KR706832</b> | Rounded glare preventer, black (H 90)  |

#### Louvres and lenses for diapason 120 ③

|  |                 |                   |
|--|-----------------|-------------------|
|  | <b>KR706080</b> | Anti-glare louvre |
|  | <b>KR706180</b> | Sculpture lens    |
|  | <b>KR706280</b> | Diffusing lens    |

| Colour | KR-code         | Light sources | 9027<br>2700K, CRI90 | 9030<br>3000K, CRI90 | 9827<br>2700K, CRI98 | 9830<br>3000K, CRI98 | SP<br>Spot (12°) | FL<br>Flood (24°) | WFL<br>Wide flood (38°) | SW<br>Switchable ON/OFF | VD<br>1-10V dimming ② | DD<br>DALI dimming | Optional accessories |
|--------|-----------------|---------------|----------------------|----------------------|----------------------|----------------------|------------------|-------------------|-------------------------|-------------------------|-----------------------|--------------------|----------------------|
| ○      | <b>KR926621</b> | ①             | ●                    | ●                    | ●                    | ●                    | ●                | ●                 | ●                       | ●                       | ●                     | ●                  | ■                    |
| ●      | <b>KR926622</b> | ①             | ●                    | ●                    | ●                    | ●                    | ●                | ●                 | ●                       | ●                       | ●                     | ●                  | ■                    |

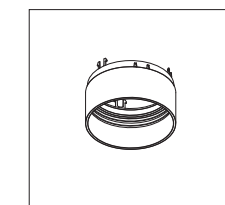
|   |     | CRI | CCT   | Voltage     | Wattage | Fixture lumen |        |
|---|-----|-----|-------|-------------|---------|---------------|--------|
| ① | LED | FL  | CRI90 | 2700K/3000K | 48V     | 19W           | 1761lm |
|   |     |     | CRI98 | 2700K/3000K | 48V     | 22,4W         | 1794lm |

#### REMARKS

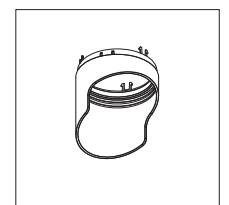
- ① Not suitable for use with 48V deep recessed track
- ② Recommended to use in combination with active 1-10V dimming. It is recommended not to use 1-10V dim fixtures having no 1-10V signal connected to the track.
- ③ Lenses only in combination with a glare preventer. Max. 2 accessories per glare preventer.

◆ IP40

Straight glare preventer



Rounded glare preventer

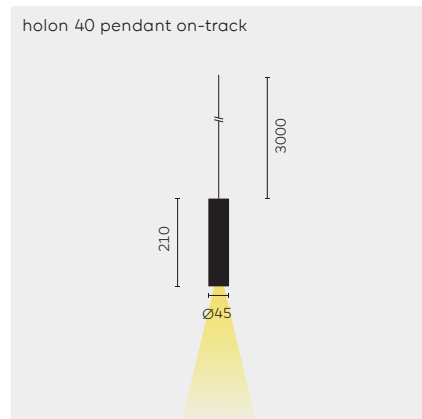
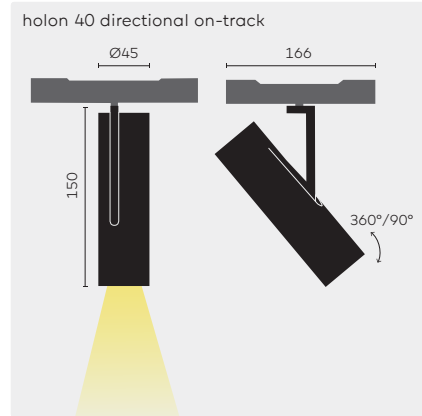






# kreon 48V track luminaires

## holon 40



 **holon 40 directional on-track ③**

 **holon 40 pendant on-track**

■ **Optional accessories**

Lenses and louvres holon 40 directional

Colour  
 KR-code  
 Light sources  
 9027 2700K, CRI90  
 9030 3000K, CRI90  
 SP Spot (20°)  
 FL Flood (30°)  
 WFL Wide flood (40°)  
 DL Dark light (38°) ①  
 WDL Wide dark light (76°) ①  
 SW Switchable ON/OFF  
 VD 1-10V dimming ②  
 DD DALI dimming  
 Optional accessories

|   |          |   |   |   |   |   |   |   |   |   |   |   |   |   |
|---|----------|---|---|---|---|---|---|---|---|---|---|---|---|---|
| ○ | KR962611 | ① | ● | ● | ● | ● | ● | ● | ● | ● | ● | ● | ● | ■ |
| ● | KR962612 | ① | ● | ● | ● | ● | ● | ● | ● | ● | ● | ● | ● | ■ |
| ○ | KR945401 | ② | ● | ● | ● | ● | ● | ● | ● | ● | ● | ● | ● | ■ |
| ● | KR945402 | ② | ● | ● | ● | ● | ● | ● | ● | ● | ● | ● | ● | ■ |

|          |                   |
|----------|-------------------|
| KR762000 | Anti-glare louvre |
| KR762200 | Diffusing lens    |

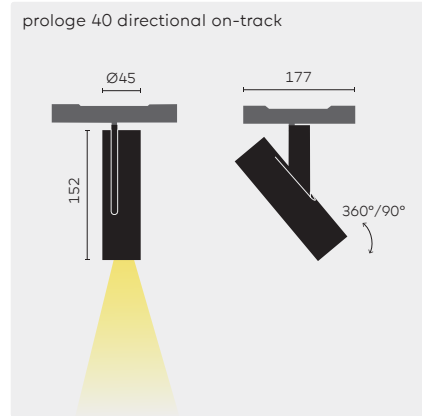
|   |     | CRI              | CCT         | Voltage | Wattage | Drive current | Fixture lumen |
|---|-----|------------------|-------------|---------|---------|---------------|---------------|
| ① | LED | CRI90+           | 2700K/3000K | 48V     | 10,9W   |               | 558lm         |
|   |     | darklight CRI90+ | 2700K/3000K |         | 8,4W    | 700mA         | 420lm         |
| ② | LED | CRI90+           | 2700K/3000K | 48V     | 11W     |               | 420lm         |

**REMARKS**  
 ① Only available in combination with black louvre and CRI90+.  
 ② Recommended to use in combination with active 1-10V dimming. It is recommended not to use 1-10V dim fixtures having no 1-10V signal connected to the track.  
 ③ Not suitable for use with 48V deep recessed track.

◆ IP40

# kreon 48V track luminaires

## prologe 40



| Colour ③ | KR-code  | Light sources | 9027<br>2700K, CRI90 | 9030<br>3000K, CRI90 | SP<br>Spot (20°) | FL<br>Flood (30°) | WFL<br>Wide flood (40°) | DL<br>Dark light (38°) ① | WDL<br>Wide dark light (7.6°) ① | SW<br>Switchable ON/OFF | VD<br>1-10V dimming | DD<br>DALI dimming | Optional accessories |
|----------|----------|---------------|----------------------|----------------------|------------------|-------------------|-------------------------|--------------------------|---------------------------------|-------------------------|---------------------|--------------------|----------------------|
| ○        | KR967351 | ①             | ●                    | ●                    | ●                | ●                 | ●                       | ●                        | ●                               | ●                       | ●                   | ●                  | ■                    |
| ●        | KR967352 | ①             | ●                    | ●                    | ●                | ●                 | ●                       | ●                        | ●                               | ●                       | ●                   | ●                  | ■                    |

|   |           | CRI    | CCT         | Voltage | Wattage | Fixture lumen |
|---|-----------|--------|-------------|---------|---------|---------------|
| ① | LED       | CRI90+ | 2700K/3000K | 48V     | 10,9W   | 547lm         |
|   | darklight | CRI90+ | 2700K/3000K | 48V     | 10,9W   | 417lm         |

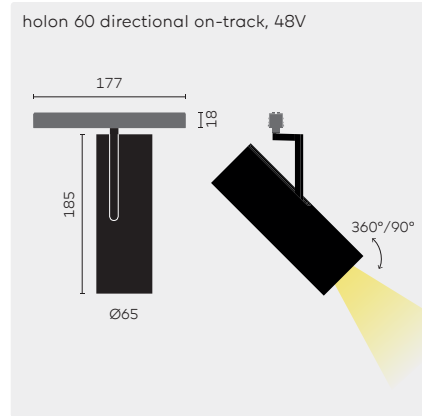
### REMARKS



- ① DL and WDL only available in combination with black louvre.
- ② Not suitable for use with 48V deep recessed track 40.
- ③ The track adapter has the same colour as the luminaire.

◆ IP40

# kreon 48V track luminaires

## holon 60 directional



|   | Colour | KR-code  | Light sources | 9027<br>2700K, CRI90+ | 9030<br>3000K, CRI90+ | 9040<br>4000K, CRI90+ | 9527<br>2700K, CRI95+ | 9530<br>3000K, CRI95+ | 9540<br>4000K, CRI95+ | SSP<br>Superspot (18°) | SP<br>Spot (33°) | FL<br>Flood (54°) | WFL<br>Wide flood (69°) | SW<br>Switchable ON/OFF | VD<br>1-10V dimming | DD<br>DALI dimming |
|---|--------|----------|---------------|-----------------------|-----------------------|-----------------------|-----------------------|-----------------------|-----------------------|------------------------|------------------|-------------------|-------------------------|-------------------------|---------------------|--------------------|
|  <b>holon 60 directional, on-track 48Vdc, low louvre</b>           | ○      | KR962771 | ①             | ●                     | ●                     | ●                     | ●                     | ●                     | ●                     | ●                      | ●                | ●                 | ●                       | ●                       | ●                   | ●                  |
|   | ●      | KR962772 | ①             | ●                     | ●                     | ●                     | ●                     | ●                     | ●                     | ●                      | ●                | ●                 | ●                       | ●                       | ●                   | ●                  |
|  <b>holon 60 directional, on-track 48Vdc, deep recessed louvre</b> | ○      | KR962671 | ②             | ●                     | ●                     | ●                     | ●                     | ●                     | ●                     | ●                      | ●                |                   |                         | ●                       | ●                   | ●                  |
|   | ●      | KR962672 | ②             | ●                     | ●                     | ●                     | ●                     | ●                     | ●                     | ●                      | ●                |                   |                         | ●                       | ●                   | ●                  |
|   | ◐      | KR962675 | ②             | ●                     | ●                     | ●                     | ●                     | ●                     | ●                     | ●                      | ●                |                   |                         | ●                       | ●                   | ●                  |

|   |     |    | CRI   | CCT               | Wattage | Voltage | Fixture lumen |
|---|-----|----|-------|-------------------|---------|---------|---------------|
| ① | LED | FL | CRI90 | 2700K/3000K/4000K | 18,5W   | 48V     | 1616lm        |
|   |     |    | CRI95 | 2700K/3000K/4000K |         | 48V     | 1454lm        |
| ② | LED | FL | CRI90 | 2700K/3000K/4000K | 18,5W   | 48V     | 1523lm        |
|   |     |    | CRI95 | 2700K/3000K/4000K |         | 48V     | 1370lm        |

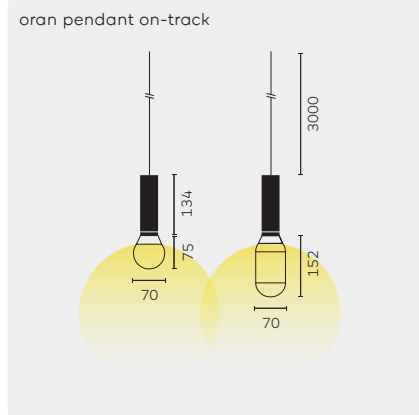
### REMARKS

○ white luminaire with black louvre

◆ IP40

# kreon 48V track luminaires

## oran pendant craft



|   | Colour | KR-code         | Light sources | 9027<br>2700K, CRI90 | 9030<br>3000K, CRI90 | SW<br>Switchable ON/OFF | VD<br>1-10V dimming ① | DD<br>DALI dimming |
|---|--------|-----------------|---------------|----------------------|----------------------|-------------------------|-----------------------|--------------------|
| <b>oran pendant craft sphere bulb on-track</b>  | ○      | <u>KR991721</u> | ①             | ●                    | ●                    | ●                       | ●                     | ●                  |
|   | ●      | <u>KR991722</u> | ①             | ●                    | ●                    | ●                       | ●                     | ●                  |
| <b>oran pendant craft long ampoule on-track</b> | ○      | <u>KR991921</u> | ①             | ●                    | ●                    | ●                       | ●                     | ●                  |
|   | ●      | <u>KR991922</u> | ①             | ●                    | ●                    | ●                       | ●                     | ●                  |

|   |     | CRI    | CCT         | Voltage | Wattage | Fixture lumen |
|---|-----|--------|-------------|---------|---------|---------------|
| ① | LED | CRI90+ | 2700K/3000K | 48V     | 9,5W    | 307lm         |

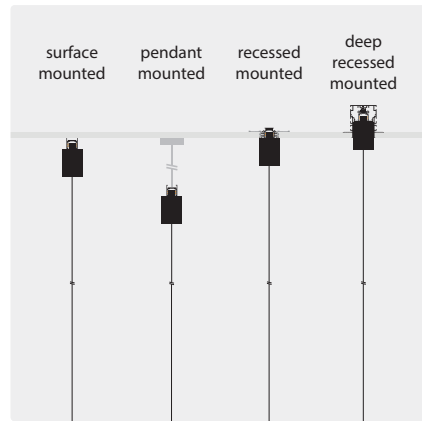
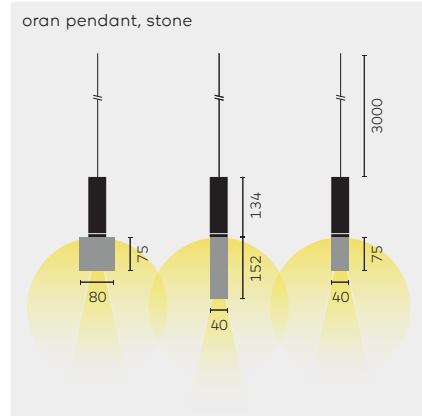
#### REMARKS

① Recommended to use in combination with active 1-10V dimming. It is recommended not to use 1-10V dim fixtures having no 1-10V signal connected to the track.

◆ IP40

# kreon 48V track luminaires

## oran pendant stone



|  | Colour | KR-code                  | Light sources | 9027<br>2700K, CRI90+ | 9030<br>3000K, CRI90+ | SW<br>Switchable ON/OFF | VD<br>1-10V dimming | DD<br>DALI dimming |
|--|--------|--------------------------|---------------|-----------------------|-----------------------|-------------------------|---------------------|--------------------|
| <b>oran pendant stone on-track, large cube ① ②</b>     | ○      | <a href="#">KR991261</a> | ①             | ●                     | ●                     | ●                       | ●                   | ●                  |
|  | ●      | <a href="#">KR991262</a> | ①             | ●                     | ●                     | ●                       | ●                   | ●                  |
| <b>oran pendant stone on-track, large cylinder ① ②</b> | ○      | <a href="#">KR991161</a> | ①             | ●                     | ●                     | ●                       | ●                   | ●                  |
|  | ●      | <a href="#">KR991162</a> | ①             | ●                     | ●                     | ●                       | ●                   | ●                  |
| <b>oran pendant stone on-track, small cylinder ① ②</b> | ○      | <a href="#">KR991361</a> | ①             | ●                     | ●                     | ●                       | ●                   | ●                  |
|  | ●      | <a href="#">KR991362</a> | ①             | ●                     | ●                     | ●                       | ●                   | ●                  |
| <b>oran pendant stone on-track, long cylinder ① ②</b>  | ○      | <a href="#">KR991461</a> | ①             | ●                     | ●                     | ●                       | ●                   | ●                  |
|  | ●      | <a href="#">KR991462</a> | ①             | ●                     | ●                     | ●                       | ●                   | ●                  |

|   |     | CRI    | CCT         | Voltage | Wattage | Fixture lumen |
|---|-----|--------|-------------|---------|---------|---------------|
| ① | LED | CRI90+ | 2700K/3000K | 48V     | 9,2W    | ② 315lm       |

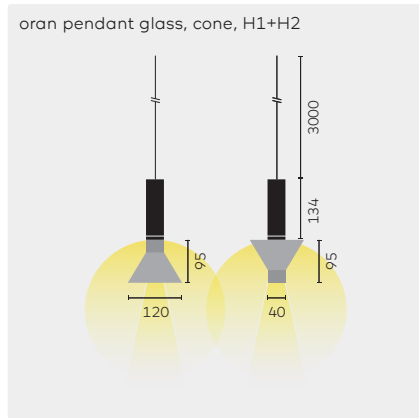
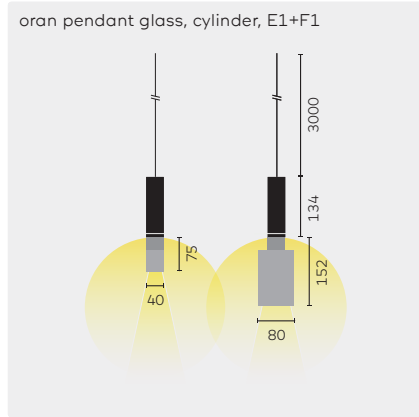
### REMARKS

- ① Protect the alabaster block against direct sunlight and temperatures above 50°C.
- ② Lumen output may vary due to the use of natural products.

◆ IP40

# kreon 48V track luminaires

## oran pendant glass



|   | Colour | KR-code                  | Light sources | 9027<br>2700K, CRI90+ | 9030<br>3000K, CRI90+ | SW<br>switchable ON/OFF | VD<br>1-10V dimming | DD<br>DALI dimming |
|---|--------|--------------------------|---------------|-----------------------|-----------------------|-------------------------|---------------------|--------------------|
| <b>oran pendant glass on-track, cylinder, E1</b>        | ○      | <a href="#">KR971161</a> | ①             | ●                     | ●                     | ●                       | ●                   | ●                  |
|   | ●      | <a href="#">KR971162</a> | ①             | ●                     | ●                     | ●                       | ●                   | ●                  |
| <b>oran pendant glass on-track, double cylinder, F1</b> | ○      | <a href="#">KR971361</a> | ②             | ●                     | ●                     | ●                       | ●                   | ●                  |
|   | ●      | <a href="#">KR971362</a> | ②             | ●                     | ●                     | ●                       | ●                   | ●                  |
| <b>oran pendant glass on-track, cone, H1</b>            | ○      | <a href="#">KR971261</a> | ③             | ●                     | ●                     | ●                       | ●                   | ●                  |
|   | ●      | <a href="#">KR971262</a> | ③             | ●                     | ●                     | ●                       | ●                   | ●                  |
| <b>oran pendant glass on-track, cone, H2</b>            | ○      | <a href="#">KR971461</a> | ④             | ●                     | ●                     | ●                       | ●                   | ●                  |
|   | ●      | <a href="#">KR971462</a> | ④             | ●                     | ●                     | ●                       | ●                   | ●                  |

|   | CRI        | CCT         | Wattage | Voltage | Fixture lumen |
|---|------------|-------------|---------|---------|---------------|
| ① | LED CRI90+ | 2700K/3000K | 8,4W    | 48V     | 450lm         |
| ② | LED CRI90+ | 2700K/3000K | 8,4W    | 48V     | 444lm         |
| ③ | LED CRI90+ | 2700K/3000K | 8,4W    | 48V     | 438lm         |
| ④ | LED CRI90+ | 2700K/3000K | 8,4W    | 48V     | TBD           |

### REMARKS

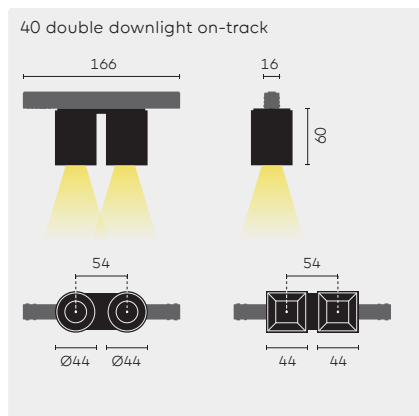
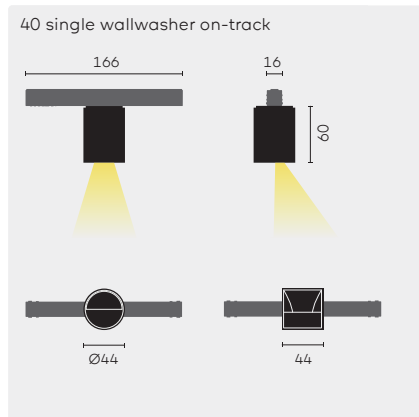
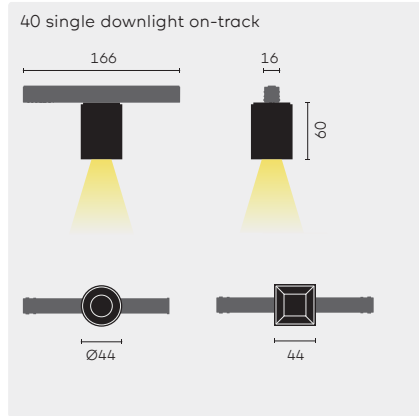
◆ IP40





# kreon 48V track luminaires

## holon & prologe 40 fixed



holon 40 single downlight on-track

holon 40 single wallwasher on-track

holon 40 double downlight on-track

prologe 40 single downlight on-track

prologe 40 single wallwasher on-track

prologe 40 double downlight on-track

| Colour ① | KR-code  | Light sources | 9027<br>2700K, CRI90+ | 9030<br>3000K, CRI90+ | SP<br>spot (17°) | FL<br>flood (24°) | WFL<br>wide flood (40°) | DL<br>darklight (32°) | WDL<br>wide darklight (55°) | SW<br>Switchable ON/OFF | VD<br>1-10V dimming | DD<br>DALI dimming |
|----------|----------|---------------|-----------------------|-----------------------|------------------|-------------------|-------------------------|-----------------------|-----------------------------|-------------------------|---------------------|--------------------|
| ○        | KR945001 | ①             | ●                     | ●                     | ●                | ●                 | ●                       | ●                     | ●                           | ●                       | ●                   | ●                  |
| ●        | KR945002 | ①             | ●                     | ●                     | ●                | ●                 | ●                       | ●                     | ●                           | ●                       | ●                   | ●                  |
| ◐        | KR945005 | ①             | ●                     | ●                     | ●                | ●                 | ●                       | ●                     | ●                           | ●                       | ●                   | ●                  |
| ○        | KR945101 | ②             | ●                     | ●                     |                  |                   |                         |                       |                             | ●                       | ●                   | ●                  |
| ●        | KR945102 | ②             | ●                     | ●                     |                  |                   |                         |                       |                             | ●                       | ●                   | ●                  |
| ○        | KR945201 | ③             | ●                     | ●                     | ●                | ●                 | ●                       | ●                     | ●                           | ●                       | ●                   | ●                  |
| ●        | KR945202 | ③             | ●                     | ●                     | ●                | ●                 | ●                       | ●                     | ●                           | ●                       | ●                   | ●                  |
| ◐        | KR945205 | ③             | ●                     | ●                     | ●                | ●                 | ●                       | ●                     | ●                           | ●                       | ●                   | ●                  |
| ○        | KR945011 | ①             | ●                     | ●                     | ●                | ●                 | ●                       | ●                     | ●                           | ●                       | ●                   | ●                  |
| ●        | KR945012 | ①             | ●                     | ●                     | ●                | ●                 | ●                       | ●                     | ●                           | ●                       | ●                   | ●                  |
| ◐        | KR945015 | ①             | ●                     | ●                     | ●                | ●                 | ●                       | ●                     | ●                           | ●                       | ●                   | ●                  |
| ○        | KR945111 | ②             | ●                     | ●                     |                  |                   |                         |                       |                             | ●                       | ●                   | ●                  |
| ●        | KR945112 | ②             | ●                     | ●                     |                  |                   |                         |                       |                             | ●                       | ●                   | ●                  |
| ○        | KR945211 | ③             | ●                     | ●                     | ●                | ●                 | ●                       | ●                     | ●                           | ●                       | ●                   | ●                  |
| ●        | KR945212 | ③             | ●                     | ●                     | ●                | ●                 | ●                       | ●                     | ●                           | ●                       | ●                   | ●                  |
| ◐        | KR945215 | ③             | ●                     | ●                     | ●                | ●                 | ●                       | ●                     | ●                           | ●                       | ●                   | ●                  |

|           | CRI    | CCT         | Voltage | Wattage | Fixture lumen |
|-----------|--------|-------------|---------|---------|---------------|
| ① LED     | CRI90+ | 2700K/3000K | 48Vdc   | 4,5W    | 190lm         |
| darklight | CRI90+ | 2700K/3000K | 48Vdc   | 10,7W   | 375lm         |
| ② LED     | CRI90+ | 2700K/3000K | 48Vdc   | 6,5W    | 290lm         |
| ③ LED     | CRI90+ | 2700K/3000K | 48Vdc   | 6,5W    | 2x 190lm      |
| darklight | CRI90+ | 2700K/3000K | 48Vdc   | 18,9W   | 2x 375lm      |

### REMARKS

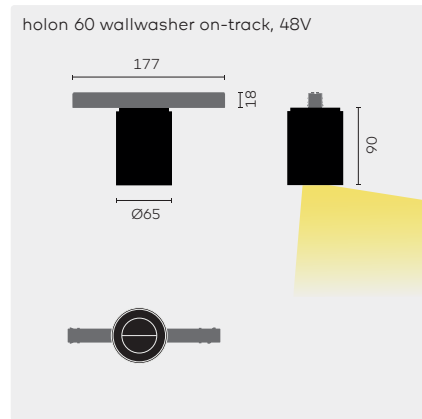
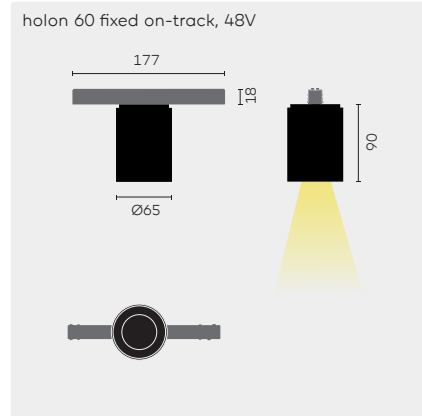
① The track adapter has the same colour as the luminaire.




◐ White luminaire with black louvre.

◆ IP40

# kreon 48V track luminaires

## holon 60 fixed



|   | Colour ① | KR-code                  | Light sources | 9027<br>2700K, CRI90+ | 9030<br>3000K, CRI90+ | 9040<br>4000K, CRI90+ | 9527<br>2700K, CRI95+ | 9530<br>3000K, CRI95+ | 9540<br>4000K, CRI95+ | SSP<br>Superspot (18°) | SP<br>Spot (33°) | FL<br>Flood (54°) | WFL<br>Wide flood (69°) | SW<br>switchable ON/OFF | VD<br>1-10V dimming | DD<br>DALI dimming |
|---|----------|--------------------------|---------------|-----------------------|-----------------------|-----------------------|-----------------------|-----------------------|-----------------------|------------------------|------------------|-------------------|-------------------------|-------------------------|---------------------|--------------------|
|  <b>holon 60 fixed, on-track 48Vdc, low louvre</b>           | ○        | <a href="#">KR962081</a> | ①             | ●                     | ●                     | ●                     | ●                     | ●                     | ●                     | ●                      | ●                | ●                 | ●                       | ●                       | ●                   | ●                  |
|   | ●        | <a href="#">KR962082</a> | ①             | ●                     | ●                     | ●                     | ●                     | ●                     | ●                     | ●                      | ●                | ●                 | ●                       | ●                       | ●                   | ●                  |
|  <b>holon 60 fixed, on-track 48Vdc, deep recessed louvre</b> | ○        | <a href="#">KR962281</a> | ②             | ●                     | ●                     | ●                     | ●                     | ●                     | ●                     | ●                      | ●                | ●                 | ●                       | ●                       | ●                   | ●                  |
|   | ●        | <a href="#">KR962282</a> | ②             | ●                     | ●                     | ●                     | ●                     | ●                     | ●                     | ●                      | ●                | ●                 | ●                       | ●                       | ●                   | ●                  |
|   | ◐        | <a href="#">KR962285</a> | ②             | ●                     | ●                     | ●                     | ●                     | ●                     | ●                     | ●                      | ●                | ●                 | ●                       | ●                       | ●                   | ●                  |
|  <b>holon 60 wallwasher, on-track 48Vdc</b>                  | ○        | <a href="#">KR962181</a> | ③             | ●                     | ●                     | ●                     | ●                     | ●                     | ●                     |                        |                  |                   |                         | ●                       | ●                   | ●                  |
|   | ●        | <a href="#">KR962182</a> | ③             | ●                     | ●                     | ●                     | ●                     | ●                     | ●                     |                        |                  |                   |                         | ●                       | ●                   | ●                  |

|   |     |     | CRI   | CCT               | Wattage | Voltage | Fixture lumen |
|---|-----|-----|-------|-------------------|---------|---------|---------------|
| ① | LED | WFL | CRI90 | 2700K/3000K/4000K | 18,5W   | 48V     | 1470lm        |
|   |     |     | CRI95 | 2700K/3000K/4000K |         | 48V     | 1323lm        |
| ② | LED | FL  | CRI90 | 2700K/3000K/4000K | 18,5W   | 48V     | 1382lm        |
|   |     |     | CRI95 | 2700K/3000K/4000K |         | 48V     | 1244lm        |
| ③ | LED | WW  | CRI90 | 2700K/3000K/4000K | 12,7W   | 48V     | 710lm         |
|   |     |     | CRI95 | 2700K/3000K/4000K |         | 48V     | 639lm         |

### REMARKS

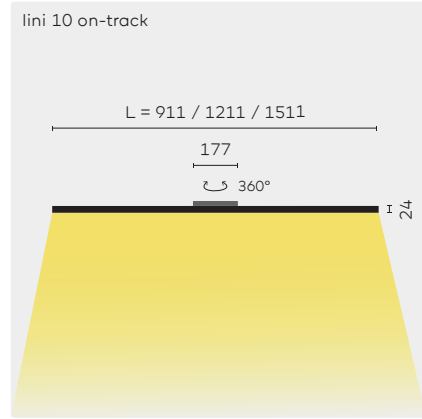
① The track adapter has the same colour as the luminaire

◐ White luminaire with black louvre

◆ IP20

# kreon 48V track luminaires

## lini 10



**lini 10 on-track**  
gear incl.



| Colour | KR-code         | Light sources | 9027<br>2700K, CRI90+ | 9030<br>3000K, CRI90+ | SW<br>Switchable ON/OFF | VD<br>1-10V dimming | DD<br>DALI dimming | 09<br>Length 911 mm | 12<br>Length 1211 mm | 15<br>Length 1511 mm |
|--------|-----------------|---------------|-----------------------|-----------------------|-------------------------|---------------------|--------------------|---------------------|----------------------|----------------------|
| ○      | <u>KR974811</u> | ①             | ●                     | ●                     | ●                       | ●                   | ●                  | ●                   | ●                    | ●                    |
| ●      | <u>KR974812</u> | ①             | ●                     | ●                     | ●                       | ●                   | ●                  | ●                   | ●                    | ●                    |
| ●      | <u>KR974814</u> | ①             | ●                     | ●                     | ●                       | ●                   | ●                  | ●                   | ●                    | ●                    |

|   |     | CRI | CCT   | Voltage     | Wattage | Fixture lumen |       |
|---|-----|-----|-------|-------------|---------|---------------|-------|
| ① | LED | 09  | CRI90 | 2700K/3000K | 48V     | 15,5W         | 466lm |
|   |     | 12  | CRI90 | 2700K/3000K | 48V     | 17,3W         | 620lm |
|   |     | 15  | CRI90 | 2700K/3000K | 48V     | 21,6W         | 774lm |

**REMARKS**

◆ IP40

kreon 48V track luminaires

holon 40 downlight

Project Private house  
Location The Netherlands

Architect GrandJohnson  
Photographer Flare Department



# kreon offices

## **kreon HQ**

Industrieweg-Noord 1152  
3660 Oudsbergen  
Belgium  
T +32 89 81 97 80  
belgium@kreon.com  
www.kreon.com

## **kreon Austria**

Eva-Maria-Mazzucco-Platz 2  
1220 Vienna  
Austria  
T +43 1 715 44 25  
austria@kreon.com

## **kreon China / The Belgian House**

Changle Road Lane 672, No. 33,  
Building No. 5,  
Jingan, Shanghai  
China  
T +86 183 1711 3541  
china@kreon.com

## **kreon France**

5, rue d'Aboukir  
75002 Paris  
France  
T +33 1 44 50 53 54  
france@kreon.com

## **kreon Germany**

Brühler Straße 11-13  
50968 Cologne  
Germany  
T +49 221 937 22 0  
germany@kreon.com

## **kreon Italy**

Via V. Forcella 5  
20144 Milano  
Italy  
T +39 02 89 42 08 46  
italy@kreon.com

## **kreon Middle East & India**

Dubai Airport Free Zone Area (DAFZA)  
West Wing 6  
Office 6 WA 634  
P.O. Box 293889  
Dubai  
United Arab Emirates  
T +971 56 705 2522  
middle.east@kreon.com

## **kreon Inc.**

### **North America & Canada**

20 Murray Hill Parkway  
Suite #180  
East Rutherford NJ 07073  
United States of America  
+1 (201) 298-44 48  
usa@kreon.com

### **kreon Scandinavia**

T +31 (0)6 52 39 16 80  
auke.bakker@kreon.com

### **kreon South East Asia**

T +65 62 22 33 93  
singapore@kreon.com

### **kreon Spain & Portugal**

Ángel Guimera 7-9 local C  
Barcelona 08017  
Spain  
T +34 600 462 551  
spain@kreon.com

### **kreon Switzerland**

Neufeldweg 6  
5103 Möriken  
Switzerland  
T +41 61 316 74 01  
switzerland@kreon.com

## **kreon The Netherlands**

Danzigerbocht 39  
1013 AM Amsterdam  
The Netherlands  
T +31 (0)6 52 391 680  
the.netherlands@kreon.com

## **kreon Turkey**

Sehit Murat Demirli Cad.  
Resadiye Yolu 76  
Alemdag-Ümraniye 34794  
Istanbul  
Turkey  
T +90 216 430 86 00  
turkey@kreon.com

## **kreon UK**

67 Maltings Place  
169 Tower Bridge Road  
London  
SE1 3LJ  
United Kingdom  
T +44 (0)20 7740 2112  
uk@kreon.com