

kreon holon



kreon holon is a range of surface mounted, track mounted and pendant cylindrical downlights characterised by its compact form and deep set LED position, providing a subtle feeling of light without a possible uncomfortable visual perception.










The range uses a variety of LED modules and is available in three diameters to suit spatial requirements. With a choice of fixed or directional units, kreon holon can provide a discreet yet functional solution to general or accent lighting within architecture. Finished in black for a dramatic contrast or pure white.

kreon holon directional is a spotlight with a rotational adjustment of 360° and an angular adjustment of 90°, which when combined with the choice of spot, flood, wide flood, darklight or wide darklight reflector, provides a versatile general or accent lighting tool. kreon holon directional can be surface mounted or used on a 48V and 230V track system.

kreon holon fixed can be surface mounted or suspended and is the perfect solution for general or accent lighting and features a spot, flood or wide flood reflector set above the black or white internal louvre. Use kreon holon fixed to create pools or accents of light.



product series compatibility

	surface mounted	recessed mounted	on-track 48V	deep recessed 48V track	on-track 230V	in-cana	in-nuit
kreon holon 40							
 directional	●	●	●			●	●
 fixed	●		●	●			
 pendant	●	●	●	●		●	●
 wall-washer			●	●			
kreon holon 60							
 directional	●	●	●		●		
 fixed	●		●		●		
 pendant	●	●	●	●	●		
kreon holon 80							
 directional	●	●			●	●	
 fixed	●						

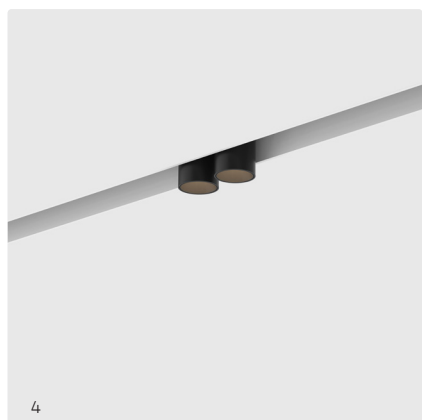






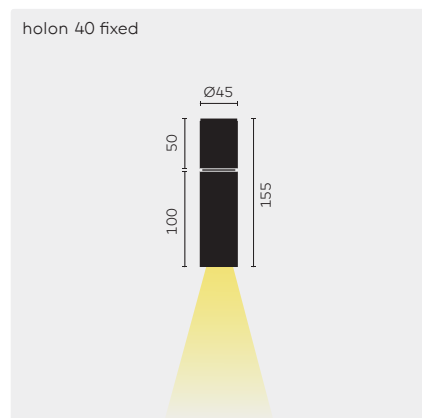
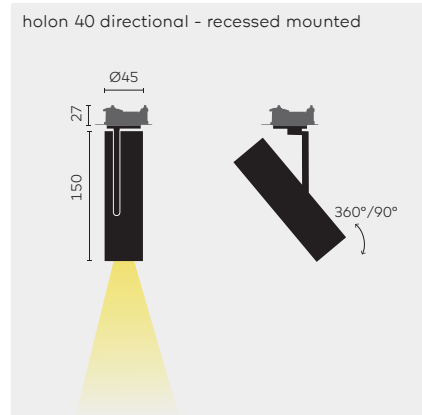
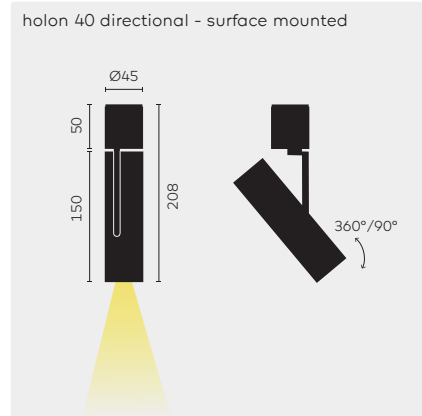
- 1. holon 40 directional, surface mounted, black
- 2. holon 40 directional, recessed mounted, darklight, white
- 3. holon 40 directional, double, surface mounted, darklight, black
- 4. holon 40 fixed, surface mounted, white
- 5. holon 40 pendant, black





- 1. holon 40 directional on 48V track, black
- 2. holon 40 directional in-nuit, white
- 3. holon 40 wallwasher on 48V track, black
- 4. holon 40 double downlight on 48V deep recessed track, black in white profile
- 5. holon 40 pendant on 48V track, white





	Colour	KR-code	Light sources	9027 2700K, CRI90+	9030 3000K, CRI90+	SP Spot (20°)	FL Flood (30°)	WFL Wide flood (40°)	DL Dark light (38°) ①	MDL Wide dark light (76°) ①	Required accessories	Optional accessories
holon 40 directional surface mounted Gear: excl.	○	KR962301	①	●	●	●	●	●	●	●		■
	●	KR962302	①	●	●	●	●	●	●	●		■
holon 40 directional recessed mounted Gear: excl.	○	KR962311	①	●	●	●	●	●	●	●	■	■
	●	KR962312	①	●	●	●	●	●	●	●	■	■
holon 40 fixed Gear: excl.	○	KR962701	①	●	●	●	●	●	●	●		■
	●	KR962702	①	●	●	●	●	●	●	●		■

■ Required accessories

Plasterkit	KR707104	Plasterkit, trimless finish, for holon 40 directional recessed mounted \varnothing 63
------------	--------------------------	---

■ Optional accessories

Driver	KR762700	LED driver, 700mA, ON/OFF, 1,4-11W ②
	KR772631	LED driver, 700mA, phase dim, 2,1-10W ②
	KR762902	LED driver, 700mA, 1-10V, 6,3-25W (IP67) ②
	KR772633	LED driver, 700mA, DALI, 1,75-10W ②
	KR752633	LED driver, 700mA, DALI, 1,4-8,4W ③
Installation cover	KR762501	Installation cover, white
	KR762502	Installation cover, black
Lenses and louvres for SP, FL, WFL	KR762000	Anti-glare louvre
	KR762200	Diffusing lens

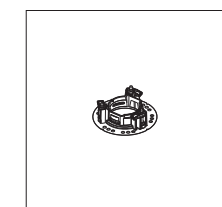
		CRI	CCT	Voltage	Wattage	Drive current	Fixture lumen
①	FL	CRI90+	2700K/3000K		8,4W	700mA	558lm
	darklight	CRI90+	2700K/3000K		8,4W	700mA	417lm

REMARKS

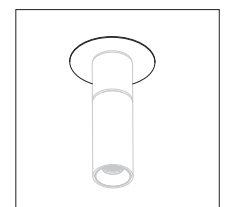
- ① Comes with black louvre
- ② Driver fits through the installation hole of the kreon holon 40 directional, recessed mounted. Minimum installation depth is 180mm.
- ③ Driver does not fit through the installation hole and must be placed on remote.

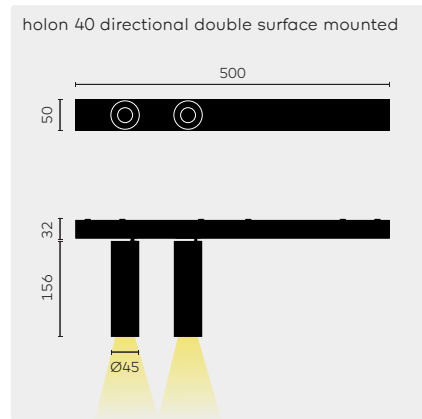
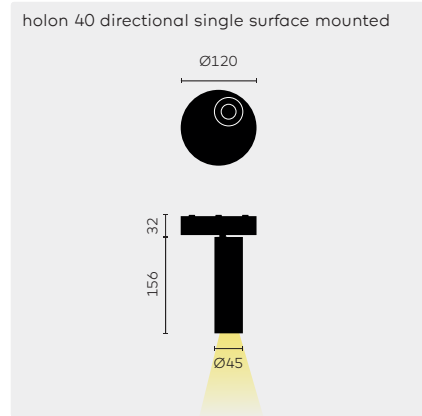
◆ IP40

Plasterkit



Installation cover





	Colour	KR-code	Light sources	9027 2700K, CRI90+	9030 3000K, CRI90+	SP Spot (20°)	FL Flood (30°)	WFL Wide flood (40°)	DL Dark light (38°)	MDL Wide dark light (76°)	PD phase dimming	VD 1-10V dimming	DD DALI dimming	CD casambi dimming	Optional accessories
	○	KR962501	①	●	●	●	●	●	●	●	●				■
	●	KR962502	①	●	●	●	●	●	●	●	●				■
	○	KR962511	②	●	●	●	●	●	●	●	●	●	●	●	■
	●	KR962512	②	●	●	●	●	●	●	●	●	●	●	●	■
Optional accessories															
Lenses and louvres for SP, FL, WFL						KR762000	Anti-glare louvre								
						KR762200	Diffusing lens								

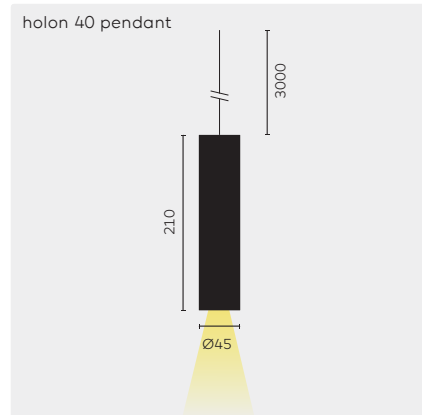
		CRI	CCT	Voltage	Wattage	Drive current	Fixture lumen
①	FL	CRI90+	2700K/3000K	230V	8,4W	700mA	558lm
	darklight	CRI90+	2700K/3000K	230V	8,4W	700mA	417lm
②	FL	CRI90+	2700K/3000K	230V	2x 8,4W	700mA	2x 558lm
	darklight	CRI90+	2700K/3000K	230V	2x 8,4W	700mA	2x 417lm

REMARKS

① Comes with black louvre.

© IP40

kreon holon 40



Colour	KR-code	Light sources	9027 2700K, CRI90+	9030 3000K, CRI90+	SP Spot (35°)	FL Flood (35°)	WFL Wide flood (55°)	DL Dark light (38°) ①	MDL Wide dark light (76°) ①	P1 Louvre painted white ②	P2 Louvre painted black ②	A5 Louvre red copper ②	Required accessories	Optional accessories
○	KR962001	①	●	●	●	●	●	●	●	●	●	●	■	■
●	KR962002	①	●	●	●	●	●	●	●	●	●	●	■	■
○	KR962901	②	●	●	●	●	●	●	●	●	●	●	■	
●	KR962902	②	●	●	●	●	●	●	●	●	●	●	■	

■ Required accessories

Gearboxes ③	See page 17-20
Connection box ④	See page 21-22
Recessed suspension kit ④	See page 21-22

■ Optional accessories

Drivers	See page 21-22
---------	----------------

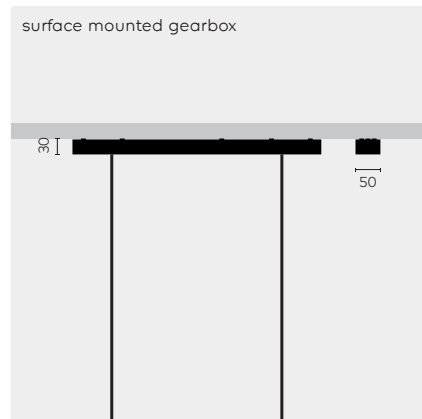
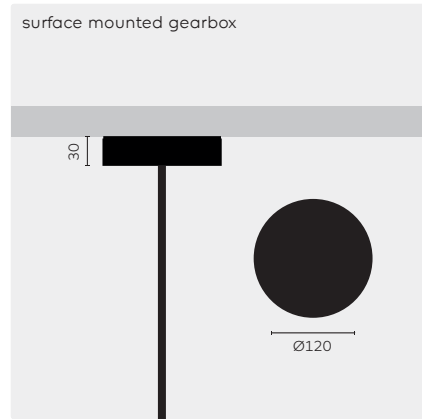
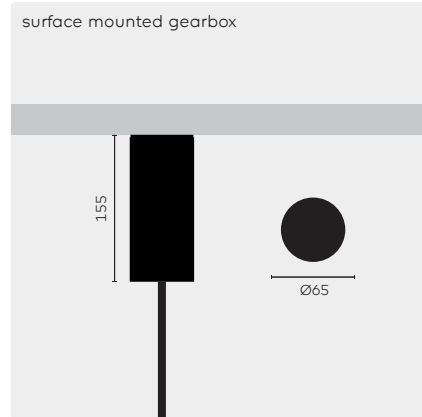
		CRI	CCT	Voltage	Wattage	Drive current	Fixture lumen
①	FL	CRI90+	2700K/3000K		6W	700mA	558lm
	darklight	CRI90+	2700K/3000K		6W	700mA	417lm
②	FL	CRI90+	2700K/3000K	230V	6W	500mA	420lm
	darklight	CRI90+	2700K/3000K	230V	6W	500mA	420lm

REMARKS


- ① Only available in combination with black louvre or red copper louvre and CRI90+
- ② Finishing colour of the louvre in the holon 40 pendant cylinder
- ③ Gearboxes are suitable in combination with holon 40 pendant, gear excl. (KR96200X)
- ④ Accessories are suitable for any type of holon 40 pendant, gear inc. and gear excl.

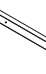
Length pendant cord: 3000mm
IP40

kreon holon 40 pendant mounting options



 **surface mounted gearbox, 220-240Vdc, 50/60Hz ①**
for 1 module, 1 circuit
Gear: incl., Ø65 H155

 **surface mounted gearbox, 220-240Vdc, 50/60Hz ①**
for 1 module, 1 circuit
Gear: incl., Ø120 H30

 **surface mounted gearbox, 220-240Vdc, 50/60Hz ①**
for 2 modules, 1 circuit
Gear: incl., L500 W50 H30

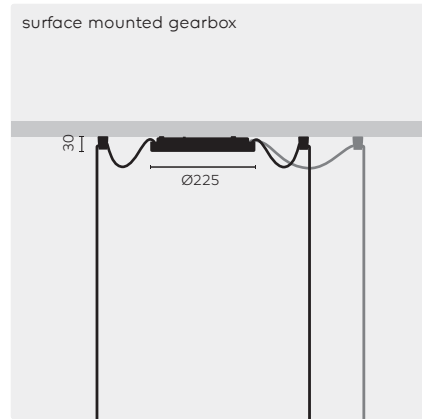
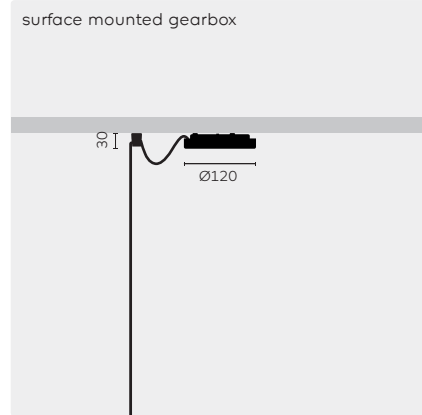
Colour	KR-code	PD Phase dimming	DD DALI dimming	CD Casambi dimming
○	<u>KR791231</u>	●	●	
●	<u>KR791232</u>	●	●	
○	<u>KR791431</u>	●		
●	<u>KR791432</u>	●		
○	<u>KR791201</u>	●	●	●
●	<u>KR791202</u>	●	●	●

REMARKS

- ① Gearboxes are suitable in combination with holon 40 pendant, gear excl. (KR96200X)
- ② Also available in phase dim or DALI dim on request

© IP20

kreon holon 40 pendant mounting options



 **surface mounted gearbox, 220-240Vdc, 50/60Hz ①②**
for 1 module, 1 circuit
Gear: switchable ON/OFF incl., Ø160 H30

 **surface mounted gearbox, 220-240Vdc, 50/60Hz ①②**
for 2 or 3 modules, 1 circuit
Gear: switchable ON/OFF incl., Ø225 H30

Colour
KR-code

○ KR791004

● KR791005

○ KR791006

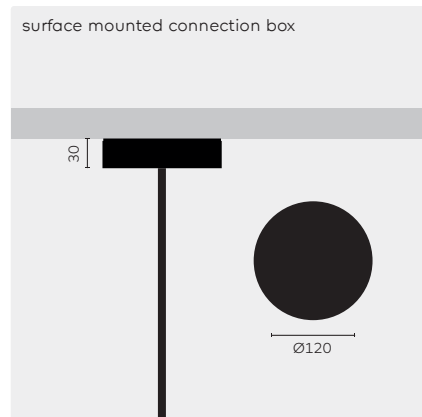
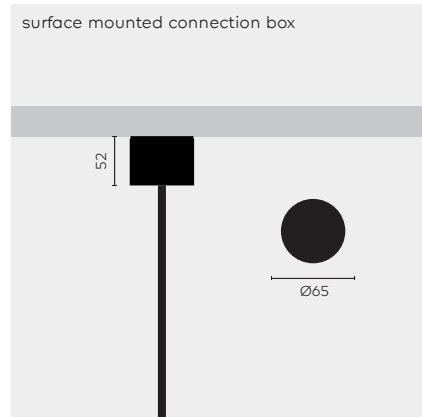
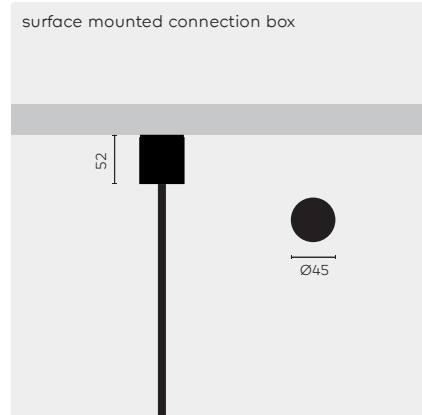
● KR791007


REMARKS


① Gearboxes are suitable in combination with holon 40 pendant, gear excl. (KR96200X)


© IP40

kreon holon 40 pendant mounting options



 **surface mounted connection box**
Gear: excl., Ø45 H52

 **surface mounted connection box**
Gear: excl., Ø65 H52

 **surface mounted connection box**
Gear: excl., Ø120 H30

 **recessed suspension kit**
Gear: excl., plasterkit incl., louvre incl.

■ **Optional accessories**

Driver ⁴

Colour

KR-code

LV low voltage connection ¹

HV high voltage connection ²

Optional accessories

Colour	KR-code	LV low voltage connection ¹	HV high voltage connection ²	Optional accessories
○	KR791111	●		■
●	KR791112	●		■
○	KR791211	●	●	■
●	KR791212	●	●	■
○	KR791411	●	●	■
●	KR791412	●	●	■
○	KR791101			■
●	KR791102			■

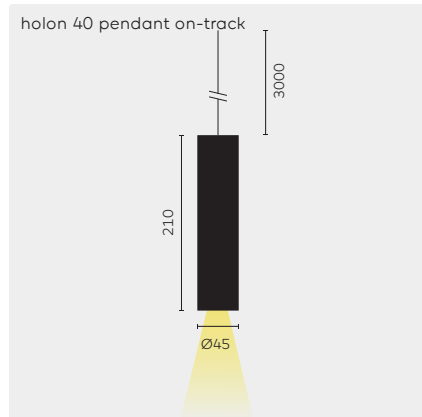
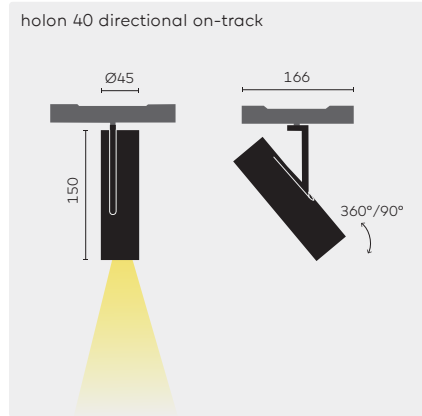
KR762700	LED driver, 700mA, ON/OFF, 1,4-11W ³
KR772631	LED driver, 700mA, phase dim, 2,1-10W ³
KR762902	LED driver, 700mA, 1-10V, 6,3-25W (IP67) ³
KR772633	LED driver, 700mA, DALI, 1,75-10W ³
KR752633	LED driver, 700mA, DALI, 1,4-8,4W ⁴

REMARKS

- ¹ Low voltage connection box is suitable in combination with holon 40 pendant, gear excl. (KR96200X) ⁴
- ² High voltage connection box is suitable in combination with holon pendant, gear incl. (KR96290X) ⁴
- ³ Driver fits through the installation hole of the plasterkit.
- ⁴ In case of connection box (-LV) or recessed suspension kit
- ⁵ Driver does not fit through the installation hole and must be placed on remote

IP40

kreon holon 40



holon 40 directional on-track ③

holon 40 pendant on-track

Optional accessories

Lenses and louvres holon 40 directional

Colour	KR-code	Light sources	9027 2700K, CRI90	9030 3000K, CRI90	SP Spot (20°)	FL Flood (30°)	WFL Wide flood (40°)	DL Dark light (38°) ①	WDL Wide dark light (76°) ①	SW Switchable ON/OFF	VD 1-10V dimming ②	DD DALI dimming	Optional accessories
--------	---------	---------------	----------------------	----------------------	------------------	-------------------	-------------------------	--------------------------	--------------------------------	-------------------------	-----------------------	--------------------	----------------------

○	KR962611	①	●	●	●	●	●	●	●	●	●	●	■
---	----------	---	---	---	---	---	---	---	---	---	---	---	---

●	KR962612	①	●	●	●	●	●	●	●	●	●	●	■
---	----------	---	---	---	---	---	---	---	---	---	---	---	---

○	KR945401	②	●	●	●	●	●	●	●	●	●	●	■
---	----------	---	---	---	---	---	---	---	---	---	---	---	---

●	KR945402	②	●	●	●	●	●	●	●	●	●	●	■
---	----------	---	---	---	---	---	---	---	---	---	---	---	---

KR762000 Anti-glare louvre

KR762200 Diffusing lens

		CRI	CCT	Voltage	Wattage	Drive current	Fixture lumen
①	FL	CRI90+	2700K/3000K	48V	10,9W	700mA	558lm
	darklight	CRI90+	2700K/3000K	48V	10,9W	700mA	420lm
②	FL	CRI90+	2700K/3000K	48V	10,9W	700mA	558lm
	darklight	CRI90+	2700K/3000K	48V	10,9W	700mA	420lm

REMARKS

- ① Comes with black louvre
- ② Recommended to use in combination with active 1-10V dimming. It is recommended not to use 1-10V dim fixtures having no 1-10V signal connected to the track.
- ③ Not suitable for use with 48V deep recessed track.

◆ IP40



NUTZEN SIE
NATÜRLICHE
ENERGIE

Geld sparen und
der Umwelt etwas
Gutes tun? Nutzen
Sie das natürliche
Sonnenelement für Ihr
Eigenheim. Wir sind
Ihre Spezialist in
allen Fragen rund
um das Thema
Photovoltaik
Anlagen.

bastin
elektrotechnik

IHR SMART
HOME DER
ZUKUNFT

Ihr Haus über
Smartphone und
iPad steuern? Das geht!
Seien Sie smart und
wagen Sie den Schritt
Richtung Zukunft
mit uns. Nie war
„Zuhause“ von
untenwegs und aus
den eigenen vier
Wänden so einfach.

bastin
elektrotechnik

Oder besuchen Sie uns
auch auf Facebook
www.facebook.com/SMARTHOMEbastin



1



2



3



4



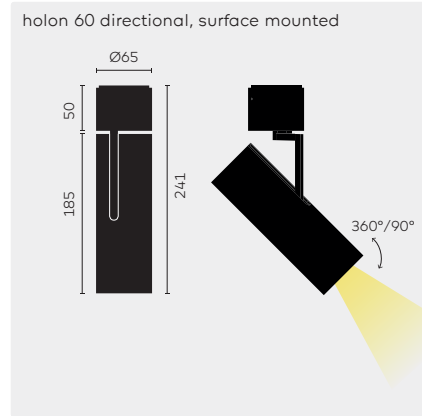
5



6

1. holon 60 directional, surface mounted, low louvre, black
2. holon 60 directional, recessed mounted, deep recessed louvre, white-black
3. holon 60 fixed, low louvre, surface mounted, black
4. holon 60 deco pendant, black
5. holon 60 directional on 48V track, low louvre, white
6. holon 60 wallwasher on 230V track, white





holon 60 directional surface mounted, low louvre
Gear: incl. ⓐ



holon 60 directional surface mounted, deep recessed louvre
Gear: incl. ⓐ

Colour	KR-code	Light sources	9027 2700K, CRI90+	9030 3000K, CRI90+	9040 4000K, CRI90+	9527 2700K, CRI95+	9530 3000K, CRI95+	9540 4000K, CRI95+	SSP Superspot (18°)	SP Spot (33°)	FL Flood (54°)	WFL Wide flood (69°)	SW ON/OFF	DD DALI dimming ⓑ
--------	---------	---------------	-----------------------	-----------------------	-----------------------	-----------------------	-----------------------	-----------------------	------------------------	------------------	-------------------	-------------------------	--------------	----------------------

○	KR962461	①	●	●	●	●	●	●	●	●	●	●	●	●
●	KR962462	①	●	●	●	●	●	●	●	●	●	●	●	●
○	KR962161	②	●	●	●	●	●	●	●	●	●	●	●	●
●	KR962162	②	●	●	●	●	●	●	●	●	●	●	●	●
◐	KR962165	②	●	●	●	●	●	●	●	●	●	●	●	●

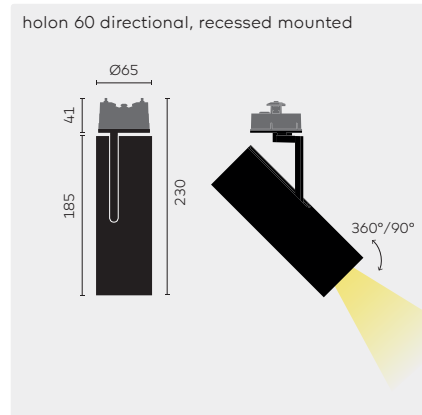
			CRI	CCT	Voltage	Wattage	Fixture lumen
①	LED SSP & SP	CRI90+	2700K/3000K/4000K	230V	10,2W	808lm	
		CRI95+	2700K/3000K/4000K			727lm	
	FL & WFL	CRI90+	2700K/3000K/4000K	230V	11,9W	1211lm	
		CRI95+	2700K/3000K/4000K			1090lm	
②	LED SSP & SP	CRI90+	2700K/3000K/4000K	230V	10,2W	788lm	
		CRI95+	2700K/3000K/4000K			709lm	
	FL	CRI90+	2700K/3000K/4000K	230V	11,9W	1146lm	
		CRI95+	2700K/3000K/4000K			1031lm	

REMARKS

① Dali-2, push dimming

◐ white luminaire with black louvre

IP40



	Colour	KR-code	Light sources	9027 2700K, CRI90+	9030 3000K, CRI90+	9040 4000K, CRI90+	9527 2700K, CRI95+	9530 3000K, CRI95+	9540 4000K, CRI95+	SSP Superspot (18°)	SP Spot (33°)	FL Flood (54°)	WFL Wide flood (69°)	Required accessories	Optional accessories
holon 60 directional recessed mounted, low louvre Gear: excl. ♦	○	KR962371	①	●	●	●	●	●	●	●	●	●	■	■	
	●	KR962372	①	●	●	●	●	●	●	●	●	●	●	■	■
holon 60 directional recessed mounted, deep recessed louvre Gear: excl. ♦	○	KR962271	②	●	●	●	●	●	●	●	●	●	■	■	
	●	KR962272	②	●	●	●	●	●	●	●	●	●	●	■	■
	◐	KR962275	②	●	●	●	●	●	●	●	●	●	●	■	■
■ Required accessories															
Plasterkit		KR707164	Plasterkit, trimless finish, for holon 60 directional recessed mounted, ∅ 83mm												
		KR707161	Plasterkit concrete, trimless finish, for holon 60 directional recessed mounted												
■ Optional accessories															
Driver 300mA for SSP & SP		KR747464	LED driver, 300mA, ON/OFF, 1-16W ①												
		KR772211	LED driver, 300mA, Phase dim, 4,5-14W ①												
		KR747562	LED driver, 300mA, 1-10V, 6-15W ①												
		KR747666	LED driver, 300mA, DALI, 3-16W ①												
		KR772209	LED driver, 300mA, Casambi, 3-16W ①												
Driver 500mA for FL & WFL		KR772024	LED driver, 500mA, ON/OFF, 1-20W ①												
		KR752743	LED driver, 500mA, Phase dim, 0,7-17W ②												
		KR772220	LED driver, 500mA, 1-10V, Push-dim, 1-20W ①												
		KR772223	LED driver, 500mA, DALI, 2,5-20W ①												
		KR772229	LED driver, 500mA, Casambi, 5-27W ①												

		CRI	CCT	Wattage	Drive current	Fixture lumen
①	LED SSP & SP	CRI90+	2700K/3000K/4000K	10,2W	300mA	808lm
		CRI95+	2700K/3000K/4000K			727lm
	FL & WFL	CRI90+	2700K/3000K/4000K	18,5W	500mA	1616lm
		CRI95+	2700K/3000K/4000K			1454lm
②	LED SSP & SP	CRI90+	2700K/3000K/4000K	10,2W	300mA	788lm
		CRI95+	2700K/3000K/4000K			709lm
	FL	CRI90+	2700K/3000K/4000K	18,5W	500mA	1523lm
		CRI95+	2700K/3000K/4000K			1370lm

REMARKS

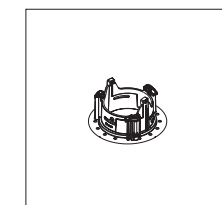
① Plenum height needs to be 150mm to push driver trough plasterkit

② Driver does not fit trough plasterkit

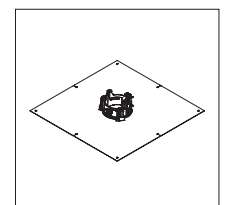
① white luminaire with black louvre

IP40

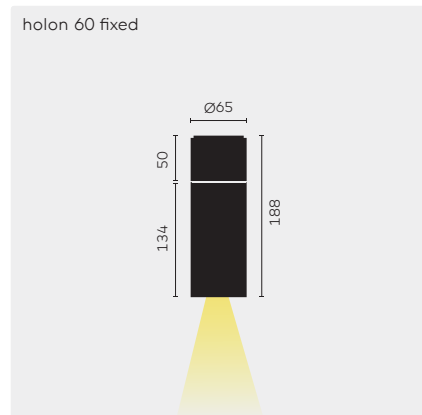
Plasterkit



Plasterkit concrete





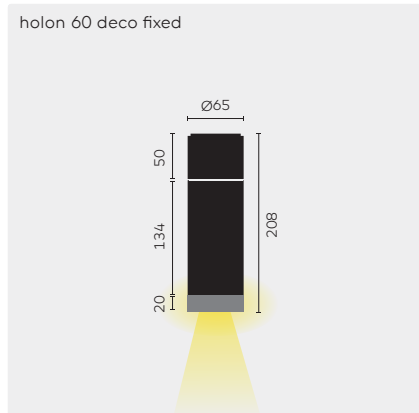


	Colour	KR-code	Light sources	9027 2700K, CRI90+	9030 3000K, CRI90+	9040 4000K, CRI90+	9527 2700K, CRI95+	9530 3000K, CRI95+	9540 4000K, CRI95+	SSP Superspot (18°)	SP Spot (33°)	FL Flood (54°)	WFL Wide flood (69°)	SW ON/OFF	DD DALI dimming	Optional accessories
holon 60 fixed surface mounted, low louvre Gear: incl. ☺	○	KR962861	①	●	●	●	●	●	●	●	●	●	●	●	●	
	●	KR962862	①	●	●	●	●	●	●	●	●	●	●	●	●	
holon 60 fixed surface mounted, low louvre Gear: excl. ☹	○	KR962761	②	●	●	●	●	●	●	●	●	●	●			■
	●	KR962762	②	●	●	●	●	●	●	●	●	●	●			■
holon 60 fixed surface mounted, deep recessed louvre Gear: excl. ☹	○	KR962661	③	●	●	●	●	●	●	●	●	●				■
	●	KR962662	③	●	●	●	●	●	●	●	●	●				■
	◐	KR962665	③	●	●	●	●	●	●	●	●	●				■
Optional accessories																
Driver 300mA for SSP & SP																
		KR747464	LED driver, 300mA, ON/OFF, 1-16W													
		KR772211	LED driver, 300mA, Phase dim, 4,5-14W													
		KR747562	LED driver, 300mA, 1-10V, 6-15W													
		KR747666	LED driver, 300mA, DALI, 3-16W													
		KR772209	LED driver, 300mA, Casambi, 3-16W													
Driver 500mA for FL & WFL																
		KR772024	LED driver, 500mA, ON/OFF, 1-20W													
		KR752743	LED driver, 550mA, Phase dim, 0,7-17W													
		KR772220	LED driver, 500mA, 1-10V, Push-dim, 1-20W													
		KR772223	LED driver, 500mA, DALI, 2,5-20W													
		KR772229	LED driver, 500mA, Casambi, 5-27W													

			CRI	CCT	Voltage	Wattage	Drive current	Fixture lumen
①	LED SSP & SP	CRI90+	2700K/3000K/4000K	230V	10,2W	300mA	808lm	
			CRI95+				2700K/3000K/4000K	727lm
	FL & WFL	CRI90+	2700K/3000K/4000K	230V	11,9W	500mA	1211lm	
			CRI95+				2700K/3000K/4000K	1090lm
②	LED SSP & SP	CRI90+	2700K/3000K/4000K	230V	10,2W	300mA	808lm	
			CRI95+				2700K/3000K/4000K	727lm
	FL & WFL	CRI90+	2700K/3000K/4000K	230V	18,5W	500mA	1616lm	
			CRI95+				2700K/3000K/4000K	1454lm
③	LED SSP & SP	CRI90+	2700K/3000K/4000K	230V	10,2W	300mA	788lm	
			CRI95+				2700K/3000K/4000K	709lm
	FL & WFL	CRI90+	2700K/3000K/4000K	230V	18,5W	500mA	1523lm	
			CRI95+				2700K/3000K/4000K	1370lm

REMARKS
 ● white luminaire with black louvre

IP40



	holon 60 deco fixed surface mounted, deep louvre Gear: excl. 	Colour	KR-code	Light sources	9027 2700K, CRI90+	9030 3000K, CRI90+	9040 4000K, CRI90+	9527 2700K, CRI95+	9530 3000K, CRI95+	9540 4000K, CRI95+	SSP Superspot (18°)	SP Spot (33°)	FL Flood (54°)	Optional accessories
		○	<u>KR962561</u>	①	●	●	●	●	●	●	●	●	●	■
		●	<u>KR962562</u>	①	●	●	●	●	●	●	●	●	●	■

■ **Optional accessories**

Driver 300mA for SSP & SP

<u>KR747464</u>	LED driver, 300mA, ON/OFF, 1-16W
<u>KR772211</u>	LED driver, 300mA, Phase dim, 4,5-14W
<u>KR747562</u>	LED driver, 300mA, 1-10V, 6-15W
<u>KR747666</u>	LED driver, 300mA, DALI, 3-16W

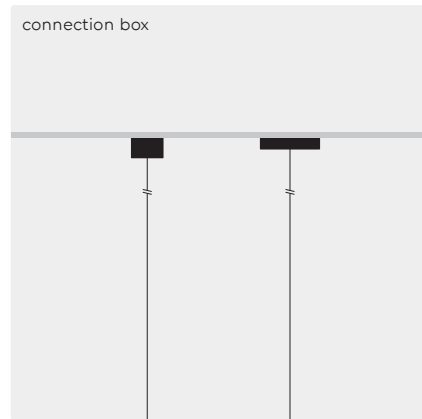
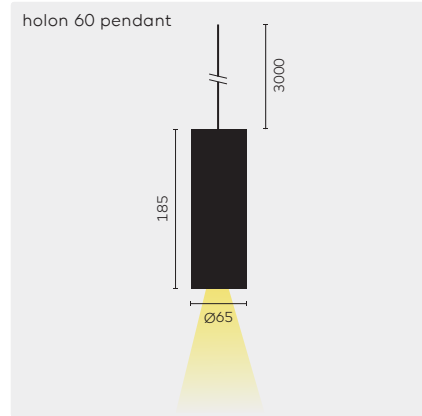
Driver 500mA for FL & WFL

<u>KR772209</u>	LED driver, 300mA, Casambi, 3-16W
<u>KR772024</u>	LED driver, 500mA, ON/OFF, 1-20W
<u>KR752743</u>	LED driver, 550mA, Phase dim, 0,7-17W
<u>KR772220</u>	LED driver, 500mA, 1-10V, Push-dim, 1-20W
<u>KR772223</u>	LED driver, 500mA, DALI, 2,5-20W
<u>KR772229</u>	LED driver, 500mA, Casambi, 5-27W

		CRI	CCT	Voltage	Wattage	Drive current	Fixture lumen
① LED	SSP & SP	CRI90+	2700K/3000K/4000K		10,2W	300mA	TBD
		CRI95+	2700K/3000K/4000K				TBD
FL		CRI90+	2700K/3000K/4000K		18,5W	500mA	TBD
		CRI95+	2700K/3000K/4000K				TBD

REMARKS
IP40

kreon holon 60



holon 60 pendant, low louvre
Gear: incl. ①

■ **Required accessories**

Connection box

Colour	KR-code	Light sources	9027 2700K, CRI90+	9030 3000K, CRI90+	9040 4000K, CRI90+	9527 2700K, CRI95+	9530 3000K, CRI95+	9540 4000K, CRI95+	SSP Superspot (18°)	SP Spot (33°)	FL Flood (54°)	WFL Wide flood (69°)	SW ON/OFF	DD DALI dimming	Required accessories
○	KR962851	①	●	●	●	●	●	●	●	●	●	●	●	●	■
●	KR962852	①	●	●	●	●	●	●	●	●	●	●	●	●	■

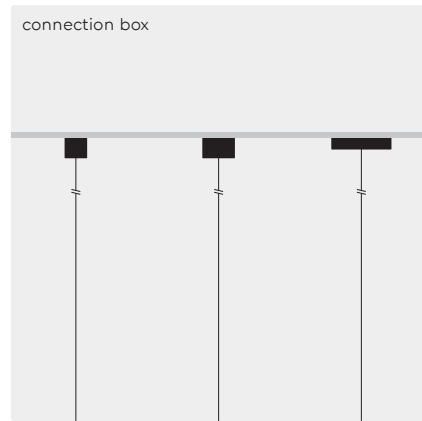
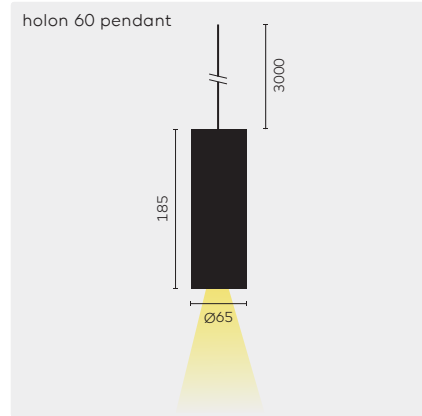
See page 45-46

	LED	CRI	CCT	Voltage	Wattage	Drive current	Fixture lumen
①	SSP & SP	CRI90+	2700K/3000K/4000K	230V	10,2W		808lm
		CRI95+	2700K/3000K/4000K				727lm
	FL & WFL	CRI90+	2700K/3000K/4000K	230V	11,9W		1211lm
		CRI95+	2700K/3000K/4000K				1090lm

REMARKS

● white luminaire with black louvre

IP40



Colour	KR-code	Light sources	9027 2700K, CRI90+	9030 3000K, CRI90+	9040 4000K, CRI90+	9527 2700K, CRI95+	9530 3000K, CRI95+	9540 4000K, CRI95+	SSP Superspot (18°)	SP Spot (33°)	FL Flood (54°)	WFL Wide flood (69°)	Required accessories	Optional accessories
○	KR962751	①	●	●	●	●	●	●	●	●	●	●	■	■
●	KR962752	①	●	●	●	●	●	●	●	●	●	●	■	■
○	KR962651	②	●	●	●	●	●	●	●	●	●	●	■	■
●	KR962652	②	●	●	●	●	●	●	●	●	●	●	■	■
◐	KR962655	②	●	●	●	●	●	●	●	●	●	●	■	■

■ Required accessories

Connection box See page 45-46

■ Optional accessories

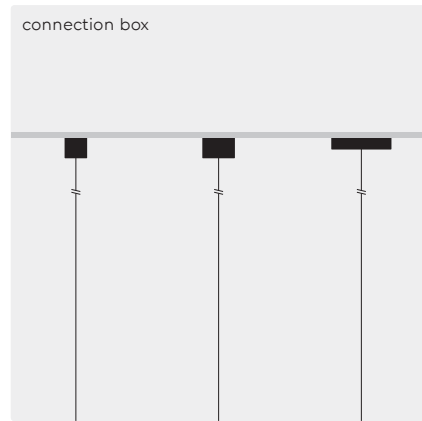
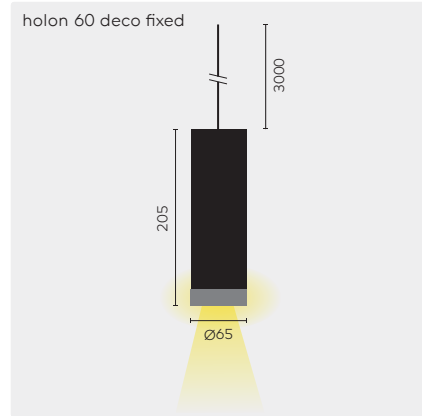
Drivers See page 45-46

		CRI	CCT	Wattage	Drive current	Fixture lumen
①	LED SSP 6 SP	CRI90+	2700K/3000K/4000K	10,2W	300mA	808lm
		CRI95+	2700K/3000K/4000K			727lm
	FL 6 WFL	CRI90+	2700K/3000K/4000K	18,5W	500mA	1616lm
		CRI95+	2700K/3000K/4000K			1454lm
②	LED SSP 6 SP	CRI90+	2700K/3000K/4000K	10,2W	300mA	788lm
		CRI95+	2700K/3000K/4000K			709lm
	FL 6 WFL	CRI90+	2700K/3000K/4000K	18,5W	500mA	1523lm
		CRI95+	2700K/3000K/4000K			1370lm

REMARKS

◐ white luminaire with black louvre

IP40



holon 60 deco pendant, deep louvre
Gear: excl. ♦

■ **Required accessories**

Connection box

See page 45-46

■ **Optional accessories**

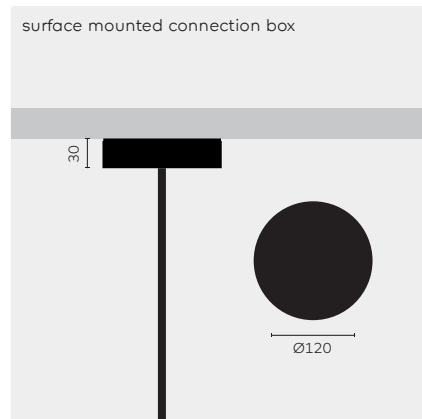
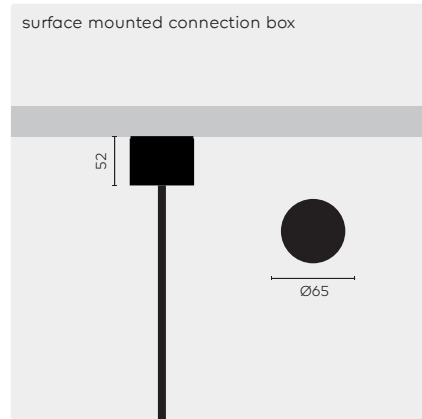
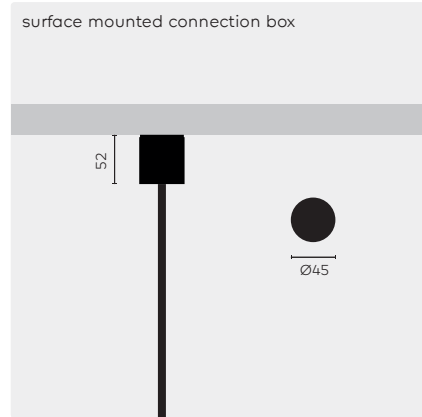
Drivers


See page 45-46


Colour	KR-code	Light sources	9027 2700K, CRI90+	9030 3000K, CRI90+	9040 4000K, CRI90+	9527 2700K, CRI95+	9530 3000K, CRI95+	9540 4000K, CRI95+	SSP Superspot (18°)	SP Spot (33°)	FL Flood (54°)	Required accessories	Optional accessories
○	KR962561	①	●	●	●	●	●	●	●	●	●	■	■
●	KR962562	①	●	●	●	●	●	●	●	●	●	■	■


REMARKS
IP40

kreon holon 60 pendant mounting options



 **surface mounted connection box**
Gear: excl., Ø45 H52

 **surface mounted connection box**
Gear: excl., Ø65 H52

 **surface mounted connection box**
Gear: excl., Ø120 H30

■ **Optional accessories**

Driver 300mA for SSP & SP ③

KR747464 LED driver, 300mA, ON/OFF, 16W

KR747562 LED driver, 300mA, 1-10V, 15W

KR747666 LED driver, 300mA, DALI, 16W

KR772209 LED driver, 300mA, Casambi, 16W

Driver 500mA for FL & WFL ③

KR772024 LED driver, 500mA, ON/OFF, 20W

KR772220 LED driver, 500mA, 1-10V, Push-dim, 20W

KR772223 LED driver, 500mA, DALI, 20W

KR772229 LED driver, 500mA, Casambi, 27W

Colour
KR-code
LV low voltage connection ①
HV high voltage connection ②
Optional accessories

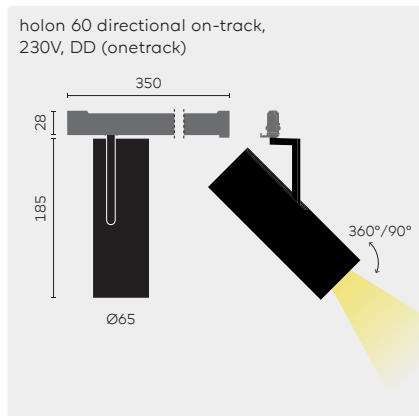
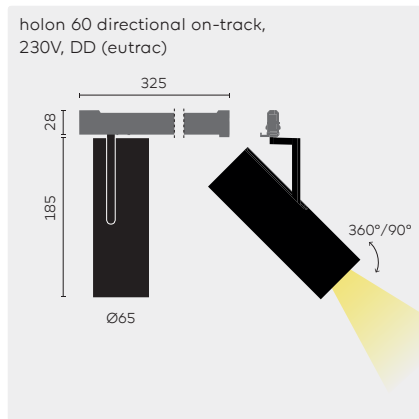
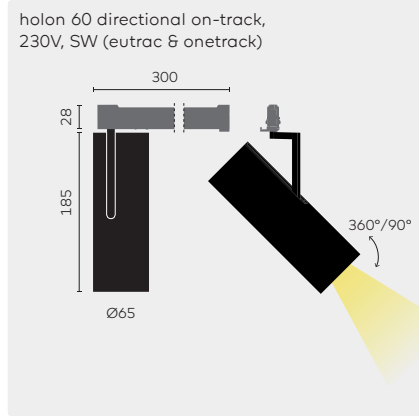
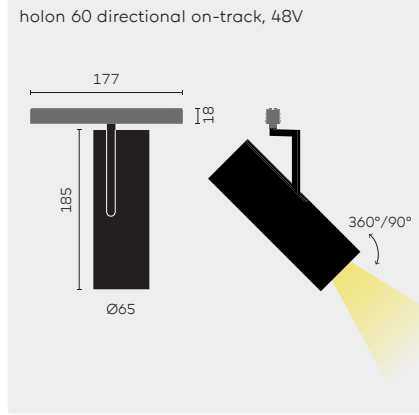
Colour	KR-code	LV low voltage connection ①	HV high voltage connection ②	Optional accessories
○	KR791111	●		■
●	KR791112	●		■
○	KR791211	●	●	■
●	KR791212	●	●	■
○	KR791411	●	●	■
●	KR791412	●	●	■







REMARKS

- ① Low voltage connection box is suitable in combination with holon 60 pendant, gear excl. ✦
- ② High voltage connection box is suitable in combination with holon 60 pendant, gear incl. ⊕
- ③ In case of connection box -LV

IP40

kreon holon 60

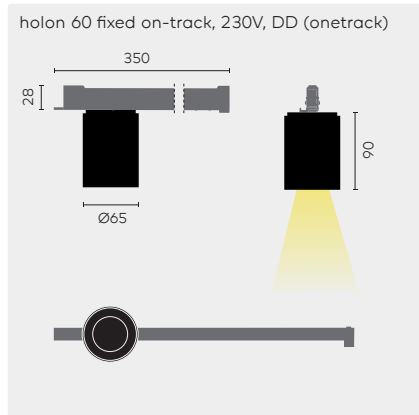
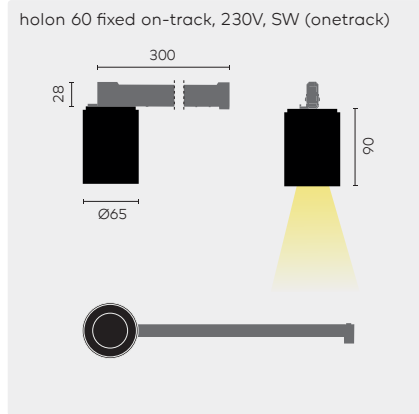
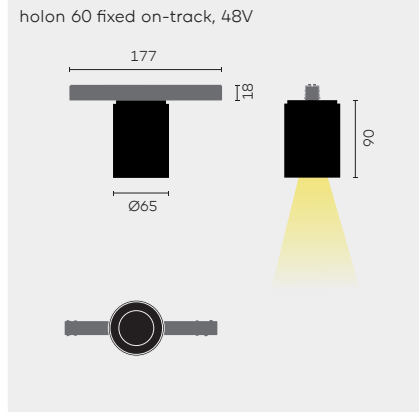








	Colour	KR-code	Light sources	9027 2700K, CRI90+	9030 3000K, CRI90+	9040 4000K, CRI90+	9527 2700K, CRI95+	9530 3000K, CRI95+	9540 4000K, CRI95+	SSP Superspot (18°)	SP Spot (33°)	FL Flood (54°)	WFL Wide flood (69°)	SW ON/OFF	VD 1-10V dimming	DD DALI dimming
 holon 60 directional, on-track 48Vdc, low louvre Gear: incl. ⬢	○	KR962771	①	●	●	●	●	●	●	●	●	●	●	●	●	●
	●	KR962772	①	●	●	●	●	●	●	●	●	●	●	●	●	●
 holon 60 directional, on-track 48Vdc, deep recessed louvre Gear: incl. ⬢	○	KR962671	②	●	●	●	●	●	●	●	●	●	●	●	●	●
	●	KR962672	②	●	●	●	●	●	●	●	●	●	●	●	●	●
	◐	KR962675	②	●	●	●	●	●	●	●	●	●	●	●	●	●
 holon 60 directional, on-track 230Vdc (eutrac), low louvre Gear: incl. Ⓞ	○	KR962971	③	●	●	●	●	●	●	●	●	●	●	●	●	●
	●	KR962972	③	●	●	●	●	●	●	●	●	●	●	●	●	●
 holon 60 directional, on-track 230Vdc (eutrac), deep recessed louvre Gear: incl. Ⓞ	○	KR962871	④	●	●	●	●	●	●	●	●	●	●	●	●	●
	●	KR962872	④	●	●	●	●	●	●	●	●	●	●	●	●	●
	◐	KR962875	④	●	●	●	●	●	●	●	●	●	●	●	●	●
 holon 60 directional, on-track 230Vdc (onetrack), low louvre Gear: incl. Ⓞ	○	KR962981	③	●	●	●	●	●	●	●	●	●	●	●	●	●
	●	KR962982	③	●	●	●	●	●	●	●	●	●	●	●	●	●
 holon 60 directional, on-track 230Vdc (onetrack), deep recessed louvre Gear: incl. Ⓞ	○	KR962881	④	●	●	●	●	●	●	●	●	●	●	●	●	●
	●	KR962882	④	●	●	●	●	●	●	●	●	●	●	●	●	●
	◐	KR962885	④	●	●	●	●	●	●	●	●	●	●	●	●	●

		CRI	CCT	Voltage	Wattage	Fixture lumen
①	LED SSP & SP	CRI90+	2700K/3000K/4000K	48V	13W	808lm
		CRI95+	2700K/3000K/4000K	48V		727lm
	FL & WFL	CRI90+	2700K/3000K/4000K	48V	21W	1616lm
		CRI95+	2700K/3000K/4000K	48V		1454lm
②	LED SSP & SP	CRI90+	2700K/3000K/4000K	48V	13W	788lm
		CRI95+	2700K/3000K/4000K	48V		709lm
	FL	CRI90+	2700K/3000K/4000K	48V	21W	1523lm
		CRI95+	2700K/3000K/4000K	48V		1370lm
③	LED SSP & SP	CRI90+	2700K/3000K/4000K	230V	13W	808lm
		CRI95+	2700K/3000K/4000K	230V		727lm
	FL & WFL	CRI90+	2700K/3000K/4000K	230V	21W	1616lm
		CRI95+	2700K/3000K/4000K	230V		1454lm
④	LED SSP & SP	CRI90+	2700K/3000K/4000K	230V	13W	788lm
		CRI95+	2700K/3000K/4000K	230V		709lm
	FL	CRI90+	2700K/3000K/4000K	230V	21W	1523lm
		CRI95+	2700K/3000K/4000K	230V		1370lm

REMARKS
 ● white luminaire with black louvre

IP40



	Colour	KR-code	Light sources	9027 2700K, CRI90+	9030 3000K, CRI90+	9040 4000K, CRI90+	9527 2700K, CRI95+	9530 3000K, CRI95+	9540 4000K, CRI95+	SSP Superspot (18°)	SP Spot (33°)	FL Flood (54°)	WFL Wide flood (69°)	SW ON/OFF	VD 1-10V dimming	DD DALI dimming
 holon 60 fixed, on-track 48Vdc, low louvre Gear: incl. ♦	○	KR962081	①	●	●	●	●	●	●	●	●	●	●	●	●	●
	●	KR962082	①	●	●	●	●	●	●	●	●	●	●	●	●	●
 holon 60 fixed, on-track 48Vdc, deep recessed louvre Gear: incl. ♦	○	KR962281	②	●	●	●	●	●	●	●	●	●	●	●	●	●
	●	KR962282	②	●	●	●	●	●	●	●	●	●	●	●	●	●
	◐	KR962285	②	●	●	●	●	●	●	●	●	●	●	●	●	●
 holon 60 wallwasher, on-track 48Vdc Gear: incl. ♦	○	KR962181	③	●	●	●	●	●	●	●	●	●	●	●	●	●
	●	KR962182	③	●	●	●	●	●	●	●	●	●	●	●	●	●
 holon 60 fixed, on-track 230Vdc (onetrack), low louvre Gear: incl. Ⓜ	○	KR962381	④	●	●	●	●	●	●	●	●	●	●	●	●	●
	●	KR962382	④	●	●	●	●	●	●	●	●	●	●	●	●	●
 holon 60 fixed, on-track 230Vdc (onetrack), deep recessed louvre Gear: incl. Ⓜ	○	KR962581	⑤	●	●	●	●	●	●	●	●	●	●	●	●	●
	●	KR962582	⑤	●	●	●	●	●	●	●	●	●	●	●	●	●
	◐	KR962585	⑤	●	●	●	●	●	●	●	●	●	●	●	●	●
 holon 60 wallwasher, on-track 230Vdc (onetrack) Gear: incl. Ⓜ	○	KR962481	⑥	●	●	●	●	●	●	●	●	●	●	●	●	●
	●	KR962482	⑥	●	●	●	●	●	●	●	●	●	●	●	●	●

			CRI	CCT	Voltage	Wattage	Fixture lumen
①	LED SSP & SP	CRI90+	2700K/3000K/4000K	48V	13W	727lm	
		CRI95+	2700K/3000K/4000K	48V	654lm		
	FL & WFL	CRI90+	2700K/3000K/4000K	48V	21W	1470lm	
		CRI95+	2700K/3000K/4000K	48V	1323lm		
②	LED SSP & SP	CRI90+	2700K/3000K/4000K	48V	13W	687lm	
		CRI95+	2700K/3000K/4000K	48V	618lm		
	FL	CRI90+	2700K/3000K/4000K	48V	21W	1382lm	
		CRI95+	2700K/3000K/4000K	48V	1244lm		
③	LED WW	CRI90+	2700K/3000K/4000K	48V	13W	710lm	
		CRI95+	2700K/3000K/4000K	48V	639lm		
④	LED SSP & SP	CRI90+	2700K/3000K/4000K	230V	13W	727lm	
		CRI95+	2700K/3000K/4000K	230V	654lm		
	FL & WFL	CRI90+	2700K/3000K/4000K	230V	21W	1470lm	
		CRI95+	2700K/3000K/4000K	230V	1323lm		
⑤	LED SSP & SP	CRI90+	2700K/3000K/4000K	230V	13W	687lm	
		CRI95+	2700K/3000K/4000K	230V	618lm		
	FL	CRI90+	2700K/3000K/4000K	230V	21W	1382lm	
		CRI95+	2700K/3000K/4000K	230V	1244lm		
⑥	LED WW	CRI90+	2700K/3000K/4000K	230V	13W	710lm	
		CRI95+	2700K/3000K/4000K	230V	639lm		

REMARKS
 ● white luminaire with black louvre

IP40





1



2



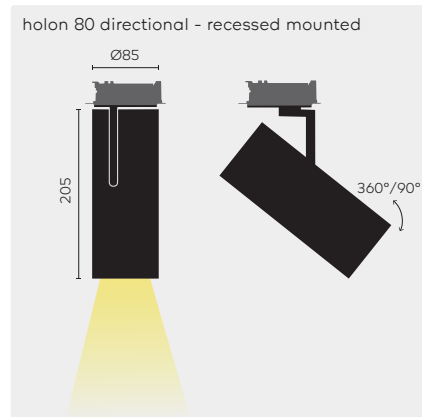
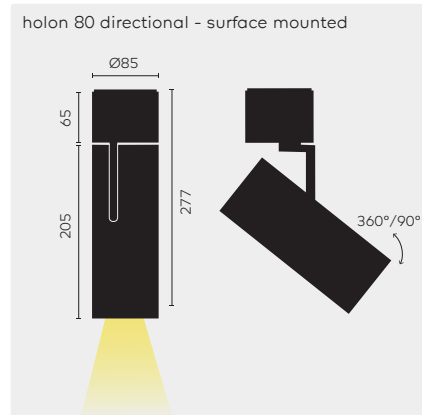
3



4

- 1. holon 80 directional, surface mounted, black
- 2. holon 80 directional, recessed mounted, white
- 3. holon 80 directional on 230V track, white
- 4. holon 80 directional on 230V track, black





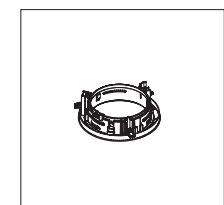
	Colour	KR-code	Light sources	9027 2700K, CRI90+	9030 3000K, CRI90+	9040 4000K, CRI90+	9827 2700K, CRI98	9830 3000K, CRI98	9840 4000K, CRI98	SP Spot (14°)	FL Flood (30°)	WFL Wide flood (38°)	SM Switchable on/off	VD 1-10V dimming	DD DALI dimming	Required accessories	Optional accessories		
holon 80 directional surface mounted Gear: incl.	○	KR962221	①	●	●	●	●	●	●	●	●	●	●	●	●		■		
	●	KR962222	①	●	●	●	●	●	●	●	●	●	●	●	●		■		
holon 80 directional recessed mounted Gear: excl.	○	KR962431	②	●	●	●	●	●	●	●	●					■	■		
	●	KR962432	②	●	●	●	●	●	●	●	●					■	■		
■ Required accessories																			
Plasterkit																			
		KR717104		Plasterkit, no shadowgap, trimless finishing ∅ Ø102															
		KR717108		Plasterkit, shadowgap, trimless finishing ∅ Ø102															
■ Optional accessories																			
Lenses and louvres ①																			
		KR762002		Anti-glare louvre															
		KR726100		Sculpture lens															
		KR726200		Diffusing lens															
Driver																			
		KR772140		LED driver, 1050mA, ON/OFF, 19-42W															
		KR772142		LED driver, 1050mA, 1-10V, 1-39W															
		KR772143		LED driver, 1050mA, DALI, 16-35W															

	CRI	CCT	Voltage	Wattage	Drive current	Fixture lumen
① LED	CRI90+	2700K/3000K/4000K	230V	17,1W		1610lm
	CRI98	2700K/3000K/4000K	230V	12,9W		1610lm
② LED	CRI90+	2700K/3000K/4000K		25,6W	1050mA	2415lm
	CRI98	2700K/3000K/4000K		20W	1050mA	1610lm

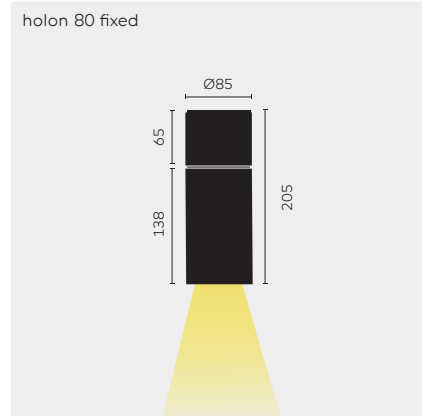
REMARKS
 ① One optional lens or louvre possible

IP40

Plasterkit



kreon holon 80

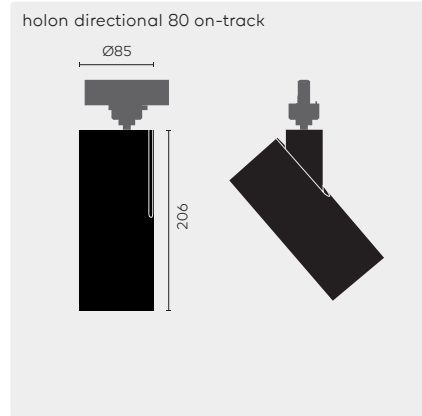


	Colour	KR-code	Light sources	9027 2700K, CRI90+	9030 3000K, CRI90+	9040 4000K, CRI90+	9827 2700K, CRI98	9830 3000K, CRI98	9840 4000K, CRI98	SP Spot (14°)	FL Flood (30°)	WFL Wide flood (38°)	SM Switchable ON/OFF	VD 1-10V dimming	DD DALI dimming	Optional accessories
holon 80 fixed Gear: incl.	○	KR962821	①	●	●	●	●	●	●	●	●	●	●	●	●	■
	●	KR962822	①	●	●	●	●	●	●	●	●	●	●	●	●	●
holon 80 fixed Gear: excl.	○	KR962631	②	●	●	●	●	●	●	●	●	●				■
	●	KR962632	②	●	●	●	●	●	●	●	●	●				
Optional accessories																
Lenses and louvres (only for LED, gear incl.) ①																
		KR762002		Anti-glare louvre												
		KR726100		Sculpture lens												
		KR726200		Diffusing lens												
Driver																
		KR772140		LED driver, 1050mA, ON/OFF, 19-42W												
		KR772142		LED driver, 1050mA, 1-10V, 1-39W												
		KR772143		LED driver, 1050mA, DALI, 16-35W												

	CRI	CCT	Voltage	Wattage	Drive current	Fixture lumen
① LED	CRI90+	2700K/3000K/4000K	230V	17,1W		1610lm
	CRI98	2700K/3000K/4000K	230V	12,9W		1610lm
② LED	CRI90+	2700K/3000K/4000K		25,6W	1050mA	2415lm
	CRI98	2700K/3000K/4000K		20W	1050mA	1610lm

REMARKS
 ① One optional lens or louvre possible.

IP40



holon 80 directional on-track

■ Optional accessories

Lenses and louvres ①

Colour	KR-code	Light sources	9027 2700K, CRI90+	9030 3000K, CRI90+	9040 4000K, CRI90+	9827 2700K, CRI98	9830 3000K, CRI98	9840 4000K, CRI98	SP Spot (14°)	FL Flood (30°)	WFL Wide flood (38°)	SM Switchable ON/OFF	VD 1-10V dimming ②	DD DALI dimming ②	Optional accessories
○	<u>KR962241</u>	①	●	●	●	●	●	●	●	●	●	●	●	●	■
●	<u>KR962242</u>	①	●	●	●	●	●	●	●	●	●	●	●	●	■
	<u>KR762002</u>	Anti-glare louvre													
	<u>KR726100</u>	Sculpture lens													
	<u>KR726200</u>	Diffusing lens													

		CRI	CCT	Voltage	Wattage	Fixture lumen
①	LED	FL	CRI90+ 2700K/3000K/4000K	230V	17,1W	1610lm
			CRI98 2700K/3000K/4000K	230V	12,9W	1127lm

REMARKS

① One optional lens or louvre possible.

② 1-10V and dali dimming is only available in combination with Eutrac Databus system

© IP40



kreon offices

kreon HQ

Industrieweg-Noord 1152
3660 Oudsbergen
Belgium
T +32 89 81 97 80
belgium@kreon.com
www.kreon.com

kreon Austria

Eva-Maria-Mazzucco-Platz 2
1220 Vienna
Austria
T +43 1 715 44 25
austria@kreon.com

kreon China / The Belgian House

Changle Road Lane 672, No. 33,
Building No. 5,
Jingan, Shanghai
China
T +86 183 1711 3541
china@kreon.com

kreon France

5, rue d'Aboukir
75002 Paris
France
T +33 1 44 50 53 54
france@kreon.com

kreon Germany

Brühler Straße 11-13
50968 Cologne
Germany
T +49 221 937 22 0
germany@kreon.com

kreon Italy

Via V. Forcella 5
20144 Milano
Italy
T +39 02 89 42 08 46
italy@kreon.com

kreon Middle East & India

Dubai Airport Free Zone Area (DAFZA)
West Wing 6
Office 6 WA 634
P.O. Box 293889
Dubai
United Arab Emirates
T +971 56 705 2522
middle.east@kreon.com

kreon Inc.

North America & Canada

20 Murray Hill Parkway
Suite #180
East Rutherford NJ 07073
United States of America
+1 (201) 298-44 48
usa@kreon.com

kreon Scandinavia

T +31 (0)6 52 39 16 80
auke.bakker@kreon.com

kreon South East Asia

T +65 62 22 33 93
singapore@kreon.com

kreon Spain & Portugal

Ángel Guimera 7-9 local C
Barcelona 08017
Spain
T +34 600 462 551
spain@kreon.com

kreon Switzerland

Neufeldweg 6
5103 Möriken
Switzerland
T +41 61 316 74 01
switzerland@kreon.com

kreon The Netherlands

Danzigerbocht 39
1013 AM Amsterdam
The Netherlands
T +31 (0)6 52 391 680
the.netherlands@kreon.com

kreon Turkey

Sehit Murat Demirli Cad.
Resadiye Yolu 76
Alemdag-Ümraniye 34794
Istanbul
Turkey
T +90 216 430 86 00
turkey@kreon.com

kreon UK

67 Maltings Place
169 Tower Bridge Road
London
SE1 3LJ
United Kingdom
T +44 (0)20 7740 2112
uk@kreon.com