



kreon catalogue 4

English version

kreon table of content

Recessed downlights	aplis	8	Track systems & projectors	48V track	482
	aplis in-line	30		3~230V track	528
	ato	64	Sound	audio	544
	ato in-line	68		Lighting control	casambi
	down	72	Technical information		wiring and dimming
	down in-line	94		wallwashing	586
	inti	130		CCT & CRI	606
	oran	134		installation kits	610
Ceiling luminaires	up	138	About kreon	creative spaces	614
	diapason	146		project design	618
	erubo	158		light lab	626
	holon	162		sustainability	628
	nuit	184		bespoke	630
	prologe	188		degrees of protection	634
	stripe	198		vektron	636
up	202	belux	638		
Wall luminaires	erubo	208	general information	640	
	holon	212	colophon	641	
	onn-wall	216	offices	642	
	oran	220			
	rokko	226			
	side	230			
	side in-line	238			
	up	246			
	wabi	250			
Pendant luminaires	cadre	256			
	esprit	264			
	fuga	274			
	holon	278			
	oran	298			
Recessed floor luminaires	up	314			
	up in-line	324			
Free standing luminaires	esprit	332			
Profile systems	cana	338			
	dolma	372			
	inline	380			
	kagi	388			
	lini	414			
	nuit	420			
	rei	434			
Table & desk lights	esprit	440			
	oran	444			
Outdoor lighting	raga	450			
	rokko	454			
	up	458			
	up in-line	468			
	wabi	474			

kreon reading guide

This kreon reading guide will help you to read the product matrix. It illustrates the different steps you should take to compose the code of the lighting fixture. This code includes all the specifications and can be used as an order number to place your order.



holon 40 on-track
 ☉ = cut out dimensions

Colour	KR-code	Light sources	SP Spot (20°)	FL Flood (30°)	WF White flood (40°)	SW Switchable ON/OFF	VD 10V dimming	DD DALI dimming	Required accessories	Optional accessories
○	<u>KR962611</u>	① ● 8027 2700K, CRI90+ ● 9030 3000K, CRI90+ ● 9527 2700K, CRI95+ ● 9530 3000K, CRI95+	●	●	●	●	●	●	■	■
●	<u>KR962612</u>	① ● 8027 2700K, CRI90+ ● 9030 3000K, CRI90+ ● 9527 2700K, CRI95+ ● 9530 3000K, CRI95+	●	●	●	●	●	●	■	■

① The basic code [e.g. KR962611] is linked to the luminaire and contains the colour.

The specifications of the light source are described in the table on the left page

② Add the code for the desired colour rendering (CRI) and colour temperature (K) [e.g. 8027 3700K, CRI80+]

③ Add the code for the desired beam angle [e.g. FL Flood, 30°]

④ Add the code for the desired dimming for the operation of your product [e.g. SW Switchable ON/OFF]

① + ② + ③ + ④ This combination [e.g. KR962611-8027-FL-SW] is your order number.

Required (■) and optional (■) accessories.
 Each accessory has an order number. You can find the accessories below the matrix.

kreon recessed downlights

aplis	8
aplis in-line	30
ato	64
ato in-line	68
down	72
down in-line	94
inti	130
oran	134
up	138

[↑ back to table of content](#)

kreon aplis

kreon aplis is a collection of recessed ceiling lighting tools designed for easy installation. These round-shaped fixtures come with trim and offer various aperture options, making them suitable for a wide range of applications.

kreon aplis directional is a fully recessed directional spotlight that serves two purposes. Firstly, it absorbs any stray flux, aiding in light control. Secondly it provides an integrated mounting ring for the fixation of additional optical lenses for increased optimization. kreon aplis directional has a rotational adjustment of 360° and an angular adjustment of 30°, which, when combined with the choice of spot, flood and wide flood TIR reflector, provides an incredibly versatile accent lighting tool.

For those in need of general lighting, the kreon aplis downlight is the perfect solution. It utilizes a flood beam mirror reflector positioned above an internal louvre. This configuration is optimized to create pools of light on horizontal surfaces or to produce dramatic scalloping effects on vertical surfaces.

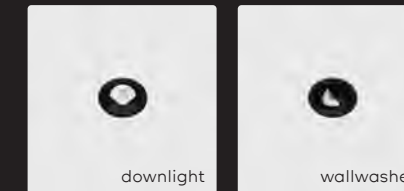
To achieve near-perfect uniformity on vertical surfaces, the kreon aplis wallwasher is the ideal choice. It employs a unique optical design capable of reflecting light throughout a full 180° beam angle, reaching the very top of adjacent walls. Simultaneously, it maintains an effective downlight component, resulting in an impressive lighting solution.

[↑ back to overview page recessed downlights](#)

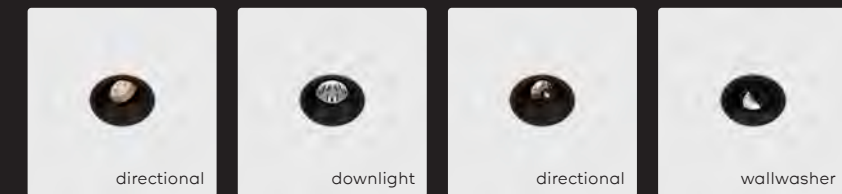
aplis 40
10



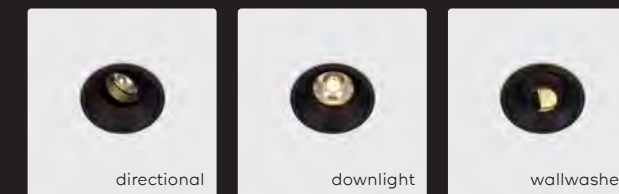
aplis 60
12



aplis 80
14

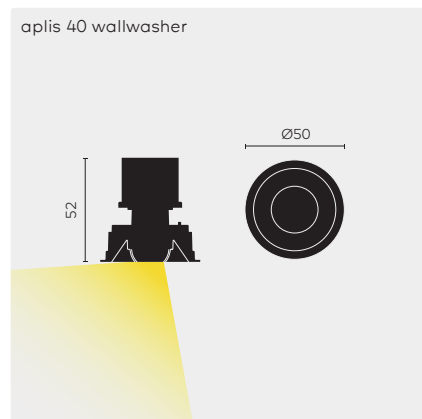
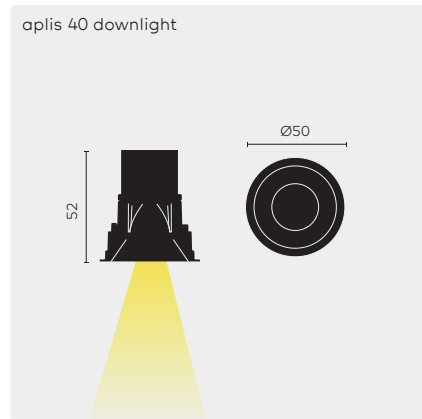



aplis 120
22



aplis 165
26





-  **aplis 40 directional**
Ø 45 H 80
Glare snoot: incl.
-  **aplis 40 downlight**
Ø 45 H 80
-  **aplis 40 wallwasher**
Ø 45 H 80
-  **aplis 40 HE wallwasher**
Ø 45 H 75

■ Optional accessories

Plasterkit concrete

KR737602 Plasterkit for concrete installation

Louvre IP44 (only for downlight) ①

KR707301 Louvre IP44, white

KR707302 Louvre IP44, black

Driver

KR752730 LED driver, 700mA, ON/OFF, 1-3W (IP65) ②

KR772631 LED driver, 700mA, phase dim, 2,1-9,8W ②

KR772632 LED driver, 700mA, 0/1-10V, 7-12W ②

KR772633 LED driver, 700mA, DALI, 1,4-8,4W ②

KR752633 LED driver, 700mA, DALI, 1,75-10W ③

KR772142 LED driver, 1050mA, 1-10V, 2,1-38W ③

KR772443 LED driver, 1050mA, DALI, 2,1-60W ③

KR772249 LED driver, 1050mA, Casambi, 10-30W ③

		CRI	CCT	Wattage	Drive current	Fixture lumen
①	LED	CRI90+	2700K/3000K	2W	700mA	121lm
				3,2W	1050mA	143lm
②	LED	CRI90+	2700K/3000K	2W	700mA	138lm
				3,2W	1050mA	172lm
③	LED	CRI90+	2700K/3000K	2W	700mA	100lm
				3,2W	1050mA	71lm
④	LED	CRI90+	2700K/3000K	4W	700mA	291lm

REMARKS

① IP44 connection in plenum required.

② Driver fits through the installation hole. Other types of dimmable drivers should be placed on remote.

③ Should be placed on remote.

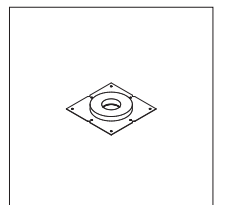
Thickness boardmaterial:

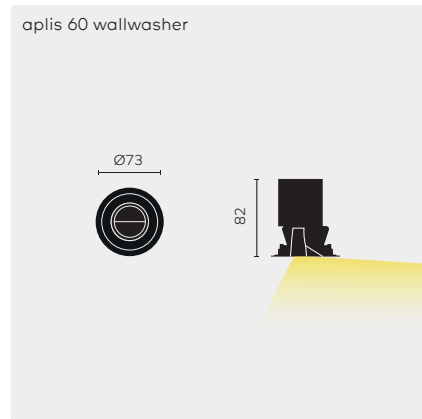
9-18mm

Gear excluded.

◆ IP40

Plasterkit concrete





	Colour	KR-code	Light sources	9027 2700K, CRI90+	9030 3000K, CRI90+	9040 4000K, CRI90+	9527 2700K, CRI95+	9530 3000K, CRI95+	9540 4000K, CRI95+	TW tunable white (2700K-5000K), CRI90+	DTW dim-to-warm (1800K-3000K), CRI97+	SSP superspot (18°)	SP spot (34°)	FL flood (54°)	WFL wide flood (69°)	Optional accessories
aplis 60 downlight spot & superspot Ø 68 D 87	○	KR937361	①	●	●	●	●	●	●	●	●	●	●			■
	●	KR937362	①	●	●	●	●	●	●	●	●	●	●	●		
aplis 60 downlight flood & wide flood Ø 68 D 87	○	KR937371	②	●	●	●	●	●	●	●	●			●	●	■
	●	KR937372	②	●	●	●	●	●	●	●	●	●			●	●
aplis 60 HE wallwasher Ø 68 D 92	○	KR937561	③	●	●	●	●	●	●	●	●					■
	●	KR937562	③	●	●	●	●	●	●	●	●	●				
Optional accessories																
Plasterkit concrete		KR737372		Plasterkit for concrete installation												
Driver 300mA for SSP, SP & wallwasher ①		KR747464		LED driver, 300mA, ON/OFF, 16W												
		KR747562		LED driver, 300mA, 1-10V, 15W												
		KR747666		LED driver, 300mA, DALI, 16W (suitable for dim-to-warm)												
		KR772209		LED driver, 300mA, Casambi, 16W (suitable for dim-to-warm)												
Driver 350mA for FL & WFL ②		KR747064		LED driver, 350mA, ON/OFF, 18W												
		KR747162		LED driver, 350mA, 1-10V, 18W												
Driver 350mA (dim-to-warm)		KR747267		LED driver, 350mA, DALI, 3,5-17W, dim-to-warm												
		KR772219		LED driver, 350mA, Casambi, 18,5W (suitable for dim-to-warm)												
Driver (tunable white)		KR747766		LED driver, tunable white, 300mA, DALI-2 DT8, 2x0,6-16,5W ①												
		KR747866		LED driver, tunable white, 280mA, DALI-2 DT8, 2x1-11,2W ②												

	CRI	CCT	Wattage	Drive current	Fixture lumen
① LED (SSP)	CRI90+/CRI95+	2700K/3000K/4000K	9,9W	300mA	566lm
	CRI90+/CRI95+	2700K/3000K/4000K	9,9W	300mA	717lm
LED (SP)	CRI90+/CRI95+	TW 2700K-5000K	2x12W	300mA	835-1053lm
	CRI90+/CRI97+	DTW 1800K-3000K	12,6W	350mA	726lm
② LED (FL)	CRI90+/CRI95+	2700K/3000K/4000K	12W	350mA	1037lm
	CRI90+/CRI97+	TW 2700K-5000K	2x12W	300mA	907-1153lm
LED (WFL)	CRI90+/CRI95+	2700K/3000K/4000K	12W	350mA	1088lm
	CRI90+/CRI97+	DTW 1800K-3000K	12,6W	350mA	823lm
③ LED (WW)	CRI90+/CRI95+	2700K/3000K/4000K	9,9W	300mA	807lm
	CRI90+/CRI97+	TW 2700K-5000K	2x12W	300mA	837lm - 1111lm
		DTW 1800K-3000K	12,6W	350mA	831lm

REMARKS

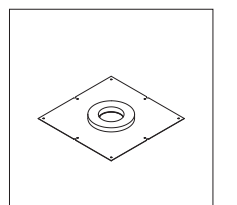
Superspot with tunable white and dim-to-warm cannot be combined.

① Driver does not fit through the installation hole and must be placed on remote.

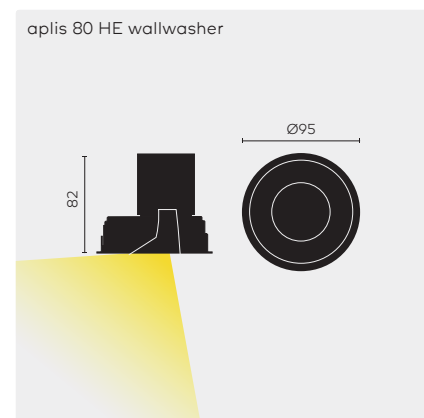
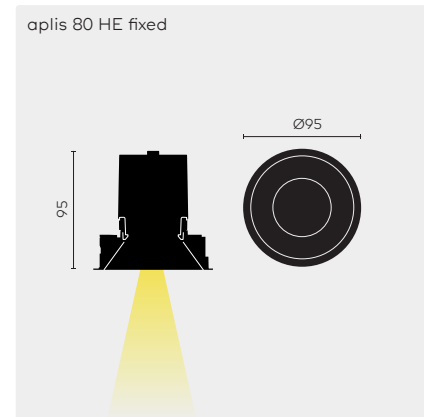
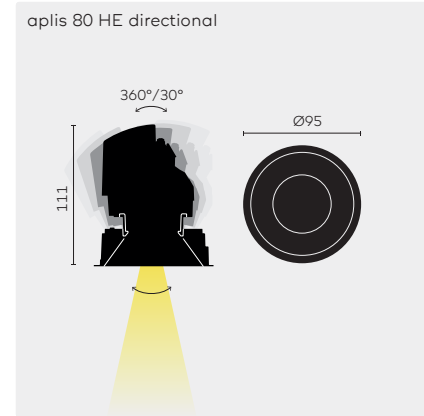
② Driver fits through installation hole, reduced current of 280mA results in 7% less lumen.

Gear excl.
IP20

Plasterkit concrete



kreon aplis 80 high efficiency

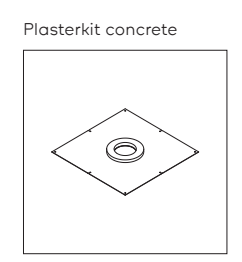


	Colour	KR-code	Light sources	9027 2700K, CRI90+	9030 3000K, CRI95+	9040 4000K, CRI90+	9527 2700K, CRI90+	9530 3000K, CRI95+	9540 4000K, CRI95+	TW Tunable white (2700K-5000K), CRI90+	DTW Dim-to-warm (1800K-3000K), CRI97+	SSP Superspot (18°)	SP Spot (35°)	FL Flood (52°)	WFL Wide flood (69°)	Optional accessories
aplis 80 HE directional superspot & spot ① Ø 90 D 120	○	KR937021	①	●	●	●	●	●	●	●	●	●	●		■	
	●	KR937022	①	●	●	●	●	●	●	●	●	●	●			■
aplis 80 HE directional flood ② Ø 90 D 120	○	KR937121	②	●	●	●	●	●	●	●	●		●		■	
	●	KR937122	②	●	●	●	●	●	●	●	●			●		■
aplis 80 HE fixed superspot & spot ③ Ø 90 D 105	○	KR937221	③	●	●	●	●	●	●	●	●	●			■	
	●	KR937222	③	●	●	●	●	●	●	●	●	●	●			■
aplis 80 HE fixed flood & wide flood ④ Ø 90 D 105	○	KR937321	④	●	●	●	●	●	●	●	●		●	●	■	
	●	KR937322	④	●	●	●	●	●	●	●	●			●	●	■
aplis 80 HE fixed IP44 superspot & spot ③ Ø 90 D 105	○	KR937721	③	●	●	●	●	●	●	●	●	●			■	
	●	KR937722	③	●	●	●	●	●	●	●	●	●	●			■
aplis 80 HE fixed IP44 flood & wide flood ④ Ø 90 D 105	○	KR937711	④	●	●	●	●	●	●	●	●		●	●	■	
	●	KR937712	④	●	●	●	●	●	●	●	●			●	●	■
aplis 80 HE wallwasher ⑤ Ø 90 D 92	○	KR937421	⑤	●	●	●	●	●	●	●	●				■	
	●	KR937422	⑤	●	●	●	●	●	●	●	●					■

		CRI	CCT	Wattage	Drive current	Fixture lumen
①	LED (SSP)	CRI90+/ CRI95+	2700K/3000K/4000K	9,9W	300mA	500lm
	LED (SP)	CRI90+/ CRI95+	2700K/3000K/4000K	9,9W	300mA	736lm
		CRI90+/ CRI97+	TW 2700K-5000K DTW 1800K-3000K	2x12W 12,6W	300mA 350mA	820-1055lm 726lm
②	LED (FL/ WFL)	CRI90+/ CRI95+	2700K/3000K/4000K	12W	350mA	995lm
		CRI90+/ CRI97+	TW 2700K-5000K DTW 1800K-3000K	2x12W 12,6W	300mA 350mA	914-1172lm 823lm
③	LED (SSP/ SP)	CRI90+/ CRI95+	2700K/3000K/4000K	9,9W	300mA	TBD
		CRI90+/ CRI97+	2700K/3000K/4000K	9,9W	300mA	
			TW 2700K-5000K DTW 1800K-3000K	2x12W 12,6W	300mA 350mA	
④	LED (FL/ WFL)	CRI90+/ CRI95+	2700K/3000K/4000K	12W	300mA	TBD
		CRI90+/ CRI97+	2700K/3000K/4000K	12W	300mA	
			TW 2700K-5000K DTW 1800K-3000K	2x12W 12,6W	300mA 350mA	
⑤	LED (WW)	CRI90+/ CRI95+	2700K/3000K/4000K	9,9W	300mA	807lm
		CRI90+/ CRI97+	2700K/3000K/4000K	9,9W	300mA	837lm-1111lm
			TW 2700K-5000K DTW 1800K-3000K	2x12W 12,6W	300mA 350mA	TBD

REMARKS
 Superspot with tunable white and dim-to-warm cannot be combined.

Thickness boardmaterial:
 9-26mm
 Gear excluded
 ① IP40
 ② IP44

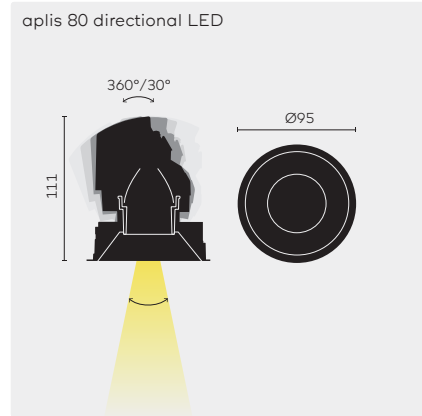


■ Optional accessories

Plasterkit concrete	KR737702	Plasterkit for concrete installation
Driver 300mA for SSP, SP & wallwasher ①	KR747464	LED driver, 300mA, ON/OFF, 16W
	KR747562	LED driver, 300mA, 1-10V, 15W
	KR747666	LED driver, 300mA, DALI, 16W (suitable for dim-to-warm)
	KR772209	LED driver, 300mA, Casambi, 16W (suitable for dim-to-warm)
Driver 350mA for FL & WFL ②	KR747064	LED driver, 350mA, ON/OFF, 18W
	KR747162	LED driver, 350mA, 1-10V, 18W
Driver 350mA (dim-to-warm)	KR747267	LED driver, 350mA, DALI, 3,5-17W, dim-to-warm
	KR772219	LED driver, 350mA, Casambi, 18,5W (suitable for dim-to-warm)
Driver (tunable white)	KR747766	LED driver, tunable white, 300mA, DALI-2 DT8, 2x0,6-16,5W
	KR747866	LED driver, tunable white, 280mA, DALI-2 DT8, 2x1-11,2W ①

REMARKS

① Compact driver, reduced current of 280mA results in 7% less lumen.



	Colour	KR-code	Light sources	SP Spot (18°)	FL Flood (28°)	WFL Wide flood (38°)	Optional accessories	
aplis 80 directional LED ⌀ 90 H 120 Filter holder: incl., glare snoot: incl.	○	KR937931	9027 2700K, CRI90+ 9030 3000K, CRI90+ 9040 4000K, CRI90+	●	●	●	■	
	●	KR937932		●	●	●	■	
aplis 80 downlight LED ⌀ 90 H 100 Wide flood reflector (38°): incl.	○	KR937031	● ● ●				■	
	●	KR937032	● ● ●				■	
Optional accessories								
Plasterkit concrete		KR737702	Plasterkit for concrete installation					
Lenses (only for directional) ②		KR704100	Sculpture lens ③					
		KR704200	Diffusing lens					
		KR772342	Anti-glare louvre ③					
Louvre IP44 (only for downlight) ④		KR717306	Louvre IP44, white					
		KR717302	Louvre IP44, black					
Driver 350mA		KR747064	LED driver, 350mA, ON/OFF, 0,7-19W					
		KR747162	LED driver, 350mA, 1-10V, 6-18W					
		KR747266	LED driver, 350mA, DALI, 3,5-17W					
		KR772219	LED driver, 350mA, Casambi, 3,5-18,5W					
Driver 700mA		KR772034	LED driver, 700mA, ON/OFF, 20W,					
		KR772232	LED driver, 700mA, 1-10V, 20W					
		KR772236	LED driver, 700mA, DALI, 18W					
		KR772430	LED driver, 700mA, phase dim, 25W					
		KR772931	LED driver, 700mA, phase dim, 14W					
	KR772239	LED driver, 700mA, Casambi, 36W						

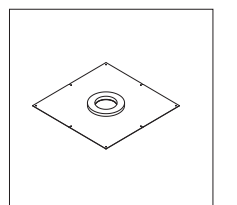
	CRI	CCT	Voltage	Wattage	Drive current	Fixture lumen
① LED	CRI95+	2700K/3000K/4000K		11,9W	350mA	665lm
② LED	CRI90+	2700K/3000K/4000K		11,4W	700mA	985lm

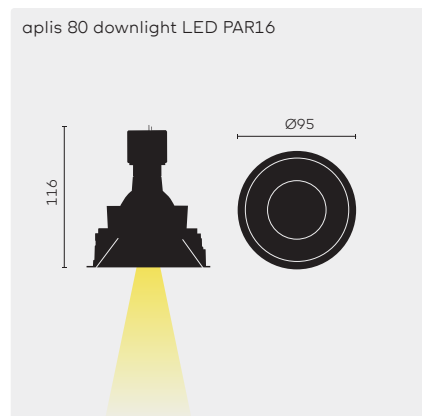
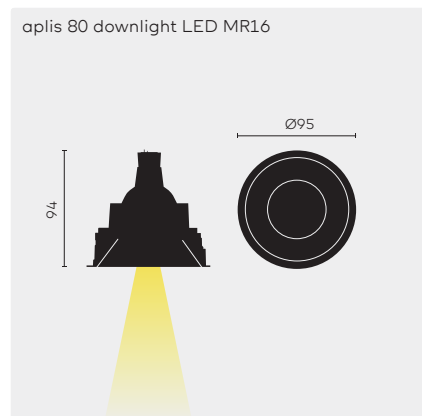
REMARKS

- ① Minimum CRI95+, typical CRI98+
- ② Only one optional lens or louvre possible.
- ③ Use only in combination with spot optic.
- ④ IP44 connection in plenum required.

Thickness boardmaterial:
9-26mm
Gear excluded.
IP40

Plasterkit concrete





aplis 80 directional LED MR16
 ⌀ 90 H 110
 Filter holder: incl., lamp: excl., glare snoot: incl.

aplis 80 directional LED PAR16
 ⌀ 90 H 125
 Filter holder: incl., lamp: excl., glare snoot: incl.

aplis 80 downlight LED MR16
 ⌀ 90 H 110
 Lamp: excl.

aplis 80 downlight LED PAR16
 ⌀ 90 H 130
 Lamp: excl.

■ **required accessories**

Light engine

KR737300-9027-FL	Light engine 80, 2700K, CRI90+, 24D, 350mA (1000lm)
KR737300-9030-FL	Light engine 80, 3000K, CRI90+, 24D, 350mA (1050lm)
KR737300-9027-WFL	Light engine 80, 2700K, CRI90+, 40D, 350mA (1000lm)
KR737300-9030-WFL	Light engine 80, 3000K, CRI90+, 40D, 350mA (1050lm)

■ **Optional accessories**

Plasterkit concrete

[KR737702](#) Plasterkit for concrete installation

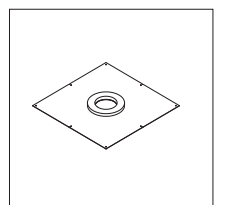
Colour
 KR-code
 Light sources
 Required accessories
 Optional accessories

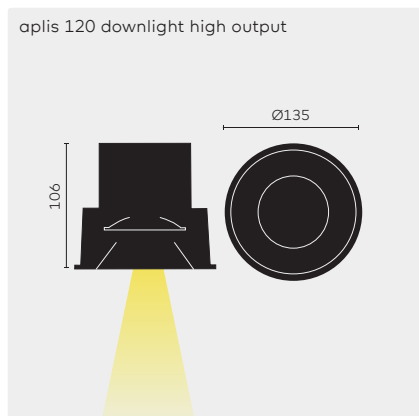
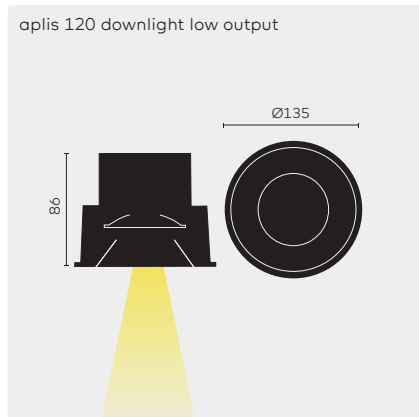
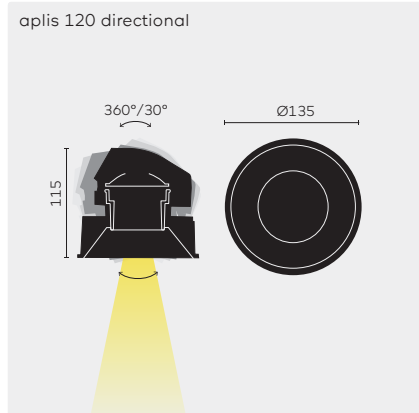
○	KR937801	①	■	■
●	KR937802	①	■	■
○	KR937841	②	■	■
●	KR937842	②	■	■
○	KR937231	①	■	■
●	KR937232	①	■	■
○	KR937251	②	■	■
●	KR937252	②	■	■

	Voltage	Wattage
① LED MR16	12V	15W
② LED PAR16	230V	15W

REMARKS
 Thickness boardmaterial:
 9-26mm
 Gear excluded.
 IP40

Plasterkit concrete





aplis 120 directional
 ⌀ 128 H 140
 Filter holder: incl., glare snoot: incl.

aplis 120 downlight low output
 ⌀ 128 H 110

aplis 120 downlight high output
 ⌀ 128 H 130

■ **Optional accessories**

Plasterkit concrete

KR737612 Plasterkit for concrete installation

Louvre IP44 (only for downlight) ❶

KR707406 Louvre IP44, white

KR707402 Louvre IP44, black

Lenses (only for directional) ❷

KR750100 Sculpture lens ❸

KR750200 Diffusing lens

KR750800 Softening lens

Driver

KR772034 LED driver, 700mA, ON/OFF, 1,4-20W

KR772232 LED driver, 700mA, 1-10V, 1,4-20W

KR772236 LED driver, 700mA, DALI, 5,5-18W

KR772430 LED driver, 700mA, phase dim, 13-25W

KR772239 LED driver, 700mA, Casambi, 7-36W

KR772140 LED driver, 1050mA, ON/OFF, 19-42W

KR772142 LED driver, 1050mA, 1-10V, 1-39W

KR772143 LED driver, 1050mA, DALI, 16-35W

KR772249 LED driver, 1050mA, Casambi, 10-38W

		CRI	CCT	Wattage	Drive current	Fixture lumen
❶	LED	SP	CRI90+ 2700K/3000K/4000K	15,6W	700mA	800lm
			CRI98+ 2700K/3000K/4000K	15,2W	700mA	573lm
	FL6 WFL	CRI90+ 2700K/3000K/4000K	17,1W	700mA	987lm	
		CRI98+ 2700K/3000K/4000K	12,9W	700mA	691lm	
❷	LED	SP	CRI90+ 2700K/3000K/4000K	15,6W	700mA	1004lm
			CRI98+ 2700K/3000K/4000K	15,2W	700mA	839lm
	FL6 WFL	CRI90+ 2700K/3000K/4000K	17,1W	700mA	1609lm	
		CRI98+ 2700K/3000K/4000K	12,9W	700mA	1127lm	
❸	LED	CRI90+ 2700K/3000K/4000K	25,7W	1050mA	2430lm	
		CRI98+ 2700K/3000K/4000K	20W	1050mA	1605lm	

REMARKS

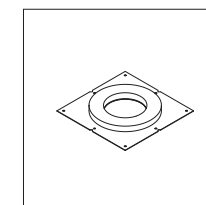
❶ IP44 connection in plenum required.

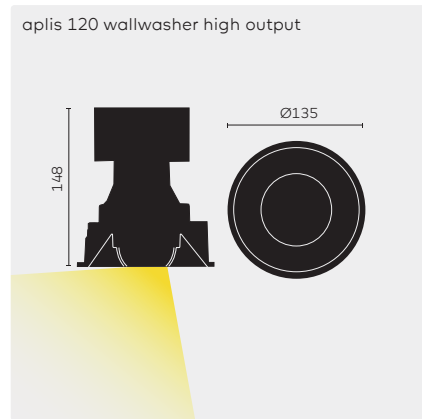
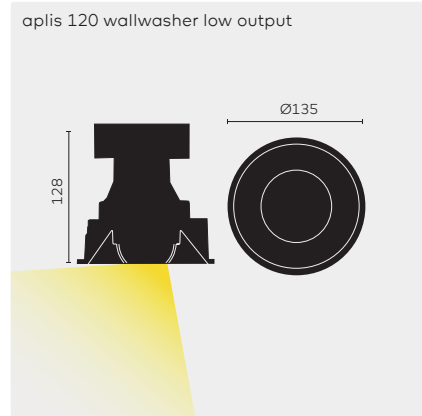
❷ Only one optional lens possible.

❸ Use only in combination with spot optic.

Thickness boardmaterial:
 9-26mm
 Gear excluded
 ⌀ IP40

Plasterkit concrete





aplis 120 wallwasher low output
 ⌀ 128 H 150
 Wallwash reflector: incl.

aplis 120 wallwasher high output
 ⌀ 128 H 170
 Wallwash reflector: incl.

■ **Optional accessories**

Plasterkit concrete

Driver

Colour	KR-code	Light sources	9027 2700K, CRI90+	9030 3000K, CRI90+	9040 4000K, CRI90+	9827 2700K, CRI98+	9830 3000K, CRI98+	9840 4000K, CRI98+	Optional accessories
○	<u>KR957531</u>	①	●	●	●	●	●	●	■
●	<u>KR957532</u>	①	●	●	●	●	●	●	■
○	<u>KR957541</u>	②	●	●	●	●	●	●	■
●	<u>KR957542</u>	②	●	●	●	●	●	●	■

KR737612 Plasterkit for concrete installation

KR772034 LED driver, 700mA, ON/OFF, 20W

KR772232 LED driver, 700mA, 1-10V, 20W

KR772236 LED driver, 700mA, DALI, 18W

KR772430 LED driver, 700mA, phase dim, 25W

KR772239 LED driver, 700mA, Casambi, 36W

KR772140 LED driver, 1050mA, ON/OFF, 19-42W

KR772142 LED driver, 1050mA, 1-10V, 1-39W

KR772143 LED driver, 1050mA, DALI, 16-35W

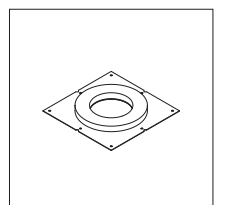
KR772249 LED driver, 1050mA, Casambi, 10-38W

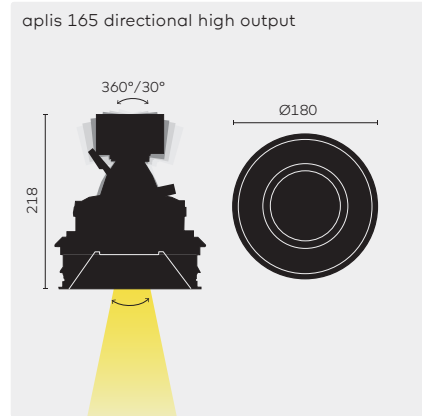
		CRI	CCT	Wattage	Drive current	Fixture lumen
①	LED	CRI90+	2700K/3000K/4000K	17,1W	700mA	906lm
		CRI98+	2700K/3000K/4000K	12,9W	700mA	633lm
②	LED	CRI90+	2700K/3000K/4000K	25,7W	1050mA	1275lm
		CRI98+	2700K/3000K/4000K	20W	1050mA	840lm


REMARKS

Thickness boardmaterial:
 9-26mm
 Gear excluded
 ⌀ IP40

Plasterkit concrete





	Colour	KR-code	Light sources	Required accessories	Optional accessories
 aplis 165 directional high output ⌀ 175 H 250 Filter holder: incl., glare snoot: incl.	○	KR937341	9027 2700K, CRI90+ 9030 3000K, CRI90+ 9040 4000K, CRI90+ 9827 2700K, CRI98+ 9830 3000K, CRI98+ 9840 4000K, CRI98+	■	■
	●	KR937342		■	■
Required accessories					
Reflector		KR720032	Reflector LED, spot 13°		
		KR720034	Reflector LED, flood 23°		
		KR720036	Reflector LED, wide flood 40°		
Optional accessories					
Plasterkit concrete		KR737712	Plasterkit for concrete installation		
Lenses ①		KR720100	Sculpture lens ②		
		KR720200	Diffusing lens		
		KR720800	Softening lens		
Driver		KR772140	LED driver, 1050mA, ON/OFF, 36W		
		KR772142	LED driver, 1050mA, 1-10V, 39W		
		KR772143	LED driver, 1050mA, DALI, 35W		
		KR772249	LED driver, 1050mA, Casambi, 37W		

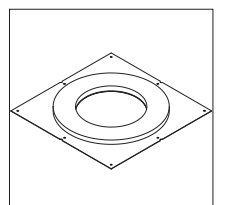
	CRI	CCT	Wattage	Drive current	Fixture lumen
① LED	CRI90+	2700K/3000K/4000K	25,7W	1050mA	1874lm
	CRI98+	2700K/3000K/4000K	20W	1050mA	1249lm

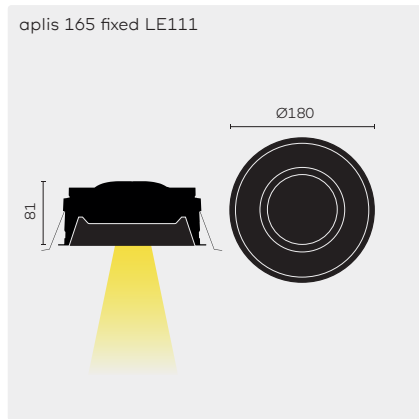
REMARKS

- ① Only one optional lens possible.
- ② Use only in combination with spot optic.

Thickness boardmaterial:
9-26mm
Gear excluded.
⌀ IP40

Plasterkit concrete





 **aplis 165 directional high output LE111**
 ⌀ 175 H 175
 glare snoot: incl.

 **aplis 165 fixed high output LE111**
 ⌀ 175 H 95

■ Required accessories

Light engine ①

KR732100-9030-SP Light engine 111, 3000K, CRI90+, 15°, 25,7W, 700mA (2350lm)

KR732100-9030-FL Light engine 111, 3000K, CRI90+, 24°, 36,9W, 1050mA (3450lm)

KR732100-9030-WFL Light engine 111, 3000K, CRI90+, 60°, 36,8W, 1050mA (3150lm)

■ Optional accessories

Driver

KR772530 LED driver, 700mA, ON/OFF, 28W

KR772140 LED driver, 1050mA, ON/OFF, 19-42W

KR772233 LED driver, 700mA, DALI, 8,4-27W

KR772643 LED driver, 1050mA, DALI, 40W

REMARKS

① Other CRI, CCT and beam angles available on request

Thickness boardmaterial:
 9-26mm
 Gear excluded.
 ⌀ IP40

kreon aplis in-line

kreon aplis in-line is a range of round recessed ceiling downlights with a trimless finish, that is available in different apertures and is suitable for a wide range of applications. The installation plasterkit is mandatory to ensure a trimless finish.

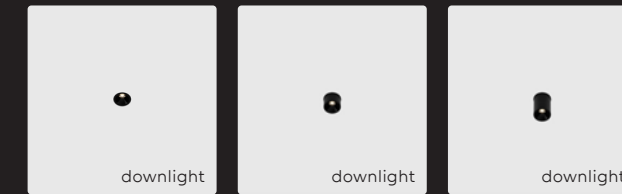
kreon aplis in-line directional is a fully recessed spotlight with a built-in snoot that serves two purposes. Firstly it absorbs stray flux, so aiding beam control, and secondly it provides an integrated mounting ring for the fixation of additional optical lenses for increased optimisation. kreon aplis in-line directional has a rotational adjustment of 360° and an angular adjustment of 30°, which when combined with the choice of spot, flood and wide flood TIR (total internal reflection) reflector, becomes an extremely versatile accent lighting tool.

kreon aplis in-line fixed is the perfect solution for general lighting and features a flood beam mirror reflector set above the black or white internal louvre, optimised to create pools of light on horizontal surfaces or dramatic scalloping effects on verticals.

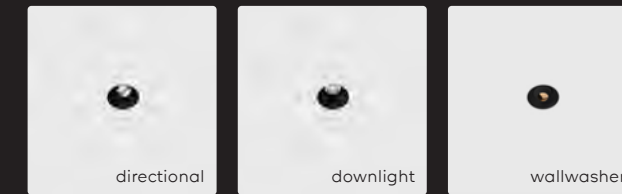
kreon aplis in-line wallwasher provides near perfect uniformity on vertical surfaces. This is made possible by the unique optical design that is capable of reflecting light to the very top of adjacent walls through a full 180° beam angle, whilst still maintaining an effective downlight component.

[↑ back to overview page recessed downlights](#)

aplis in-line 20
32



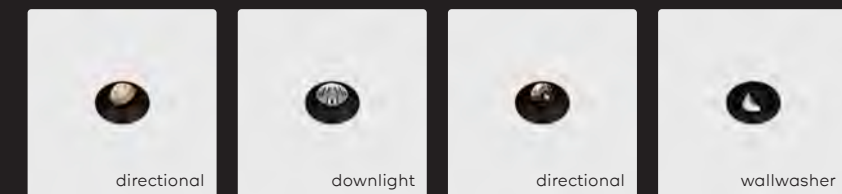
aplis in-line 40
34



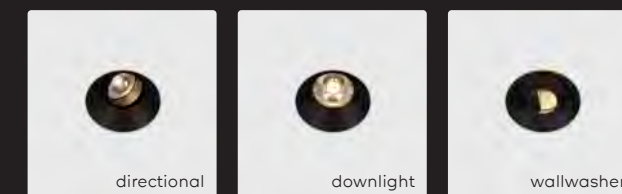
aplis in-line 60
40



aplis in-line 80
44



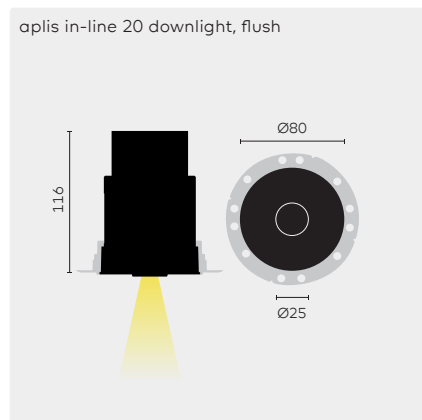
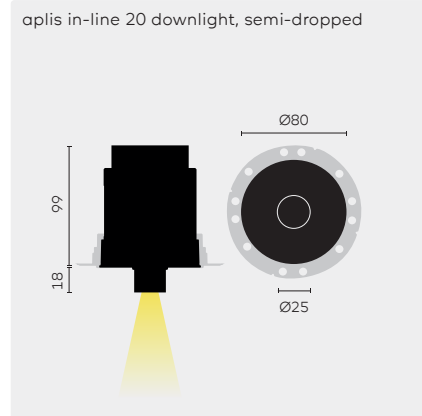
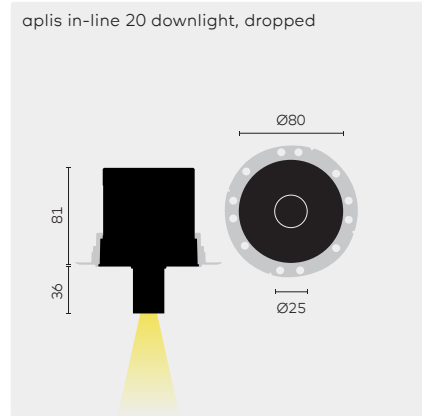
aplis in-line 120
54



aplis in-line 165
60



kreon aplis in-line 20



aplis in-line 20 downlight ⌀ 102 H 136			Colour	KR-code	Light sources	9027 2700K, CRI90+	9030 3000K, CRI90+	SP Spot (20°)	DL Dark light (36°)	WDL Wide dark light (60°)	Required accessories	Optional accessories
○	KR939021	①	●	●	●	●	●	●	●	●	■	■
●	KR939022	①	●	●	●	●	●	●	●	●	■	■
■ Required accessories												
Chassis	KR739020	Chassis aplis in-line 20										
Plasterkit	KR717104	Plasterkit, no shadowgap										
	KR717108	Plasterkit, front mounting, shadowgap, trimless finishing ⌀ 102										
	KR717000	Plasterkit, back mounting, no shadowgap										
Concrete plasterkit	KR717101	Plasterkit for concrete installation, no shadowgap, 430x430mm										
	KR717109	Plasterkit for concrete installation, shadowgap, 200x200mm										
Installation kit	KR717100	Installation kit, back mounting										
■ Optional accessories												
Blind cover	KR709220	Blind cover										
Driver	KR7.....	TBD										
	KR7.....	TBD										
	KR7.....	TBD										
	KR7.....	TBD										

	CRI	CCT	Wattage	Drive current	Fixture lumen
① LED (SP)	CRI90+	2700K/3000K	4W	1400mA	TBD
LED (DL/WDL)	CRI90+	2700K/3000K	12,4W	1050mA	TBD

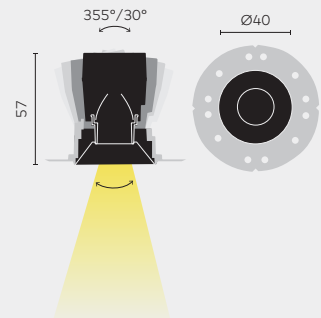
REMARKS

Thickness boardmaterial:
9-26mm

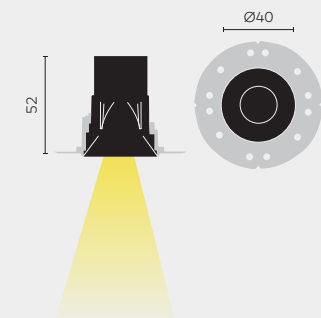
Gear excluded.
⌀ IP40

kreon aplis in-line 40

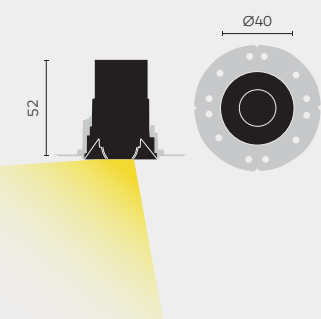
aplis in-line 40 directional



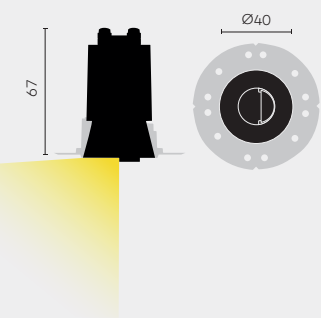
aplis in-line 40 downlight



aplis in-line 40 wallwasher



aplis in-line 40 HE wallwasher



aplis in-line 40 directional
 ⌀ 63 H 80
 Glare snoot: incl.

aplis in-line 40 downlight
 ⌀ 63 H 80 -100

aplis in-line 40 wallwasher
 ⌀ 63 H 80

aplis in-line 40 HE wallwasher
 ⌀ 63 H 80

Colour	KR-code	Light sources	9027 2700K, CRI95+	9030 3000K, CRI95+	SP Spot (10°)	FL Flood (24°)	WFL Wide flood (46°)	OV Oval (42° + 12°)	Required accessories 1	Optional accessories 1
	<u>KR907733</u>	①	●	●	●	●	●		■	■
	<u>KR907033</u>	②	●	●	●	●	●	●	■	■
○	<u>KR907331</u>	③	●	●					■	■
●	<u>KR907332</u>	③	●	●					■	■
○	<u>KR907341</u>	③	●	●					■	■
●	<u>KR907342</u>	③	●	●					■	■

		CRI	CCT	Wattage	Drive current	Fixture lumen
①	LED	CRI90+	2700K/3000K	2W	700mA	121lm
				3,2W	1050mA	143lm
②	LED	CRI90+	2700K/3000K	2W	700mA	138lm
				3,2W	1050mA	172lm
③	LED	CRI90+	2700K/3000K	2W	700mA	47lm
				3,2W	1050mA	71lm
④	LED	CRI90+	2700K/3000K	4W	700mA	291lm

REMARKS

① It's recommended to use a downlight with spot or flood beam.

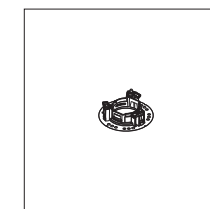
② RAL-colours on request.

Thickness boardmaterial:
 9-14mm
 Gear excluded.
 ⌀ IP40

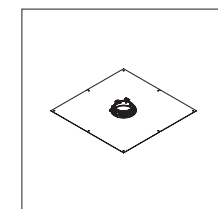
■ Required accessories

Plasterkit	KR707104	Plasterkit, front mounting, no shadowgap
	KR707000	Plasterkit, Ø40, trimless, back installation, 13+mm panel
	KR707002	Plasterkit, Ø40, trimless, back installation, 9-13mm
Installation kit	KR707100	Installation kit Ø40, trimless, backside mounting, 13+mm panel
	KR707102	Installation kit Ø40, trimless, backside mounting
Plasterkit concrete	KR707101	Plasterkit for concrete installation
Deep recessed installation (only for downlight) ⓘ	KR707704	Plasterkit, front mounting, deep recessed, no shadowgap
	KR707701	Plasterkit for concrete installation, deep recessed, no shadowgap
Louvre	KR707106	Louvre, white
	KR707122	Louvre, black
	KR707124	Louvre, gun brushed bronze
	KR707127	Louvre, brushed silver
	KR707128	Louvre, brushed gold
	KR707129	Louvre, gun black
Dropped louvre (only for downlight) ⓘ	KR707806	Dropped louvre, white
	KR707802	Dropped louvre, black
	KR707804	Dropped louvre, brushed bronze
	KR707807	Dropped louvre, brushed silver
	KR707808	Dropped louvre, brushed gold
	KR707809	Dropped louvre, gun black
Louvre IP44 (only for downlight)	KR707301	Louvre IP44, white
	KR707302	Louvre IP44, black
Deep recessed louvre (only for downlight)	KR707706	Deep recessed louvre, white
	KR707702	Deep recessed louvre, black
	KR707604	Deep recessed louvre, brushed bronze
	KR707607	Deep recessed louvre, brushed silver
	KR707608	Deep recessed louvre, brushed gold
	KR707609	Deep recessed louvre, gun black

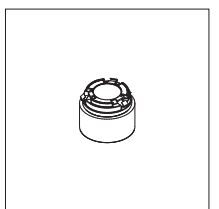
Plasterkit



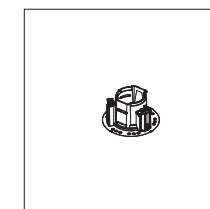
Plasterkit concrete



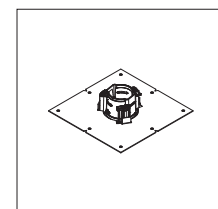
Dropped louvre



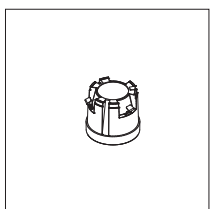
Plasterkit deep recessed



Plasterkit concrete deep recessed



Deep recessed louvre



REMARKS

ⓘ It's recommended to use a downlight with spot or flood beam.

Thickness boardmaterial:
9-14mm

■ Optional accessories

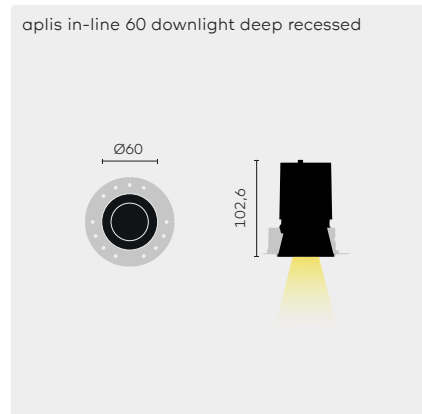
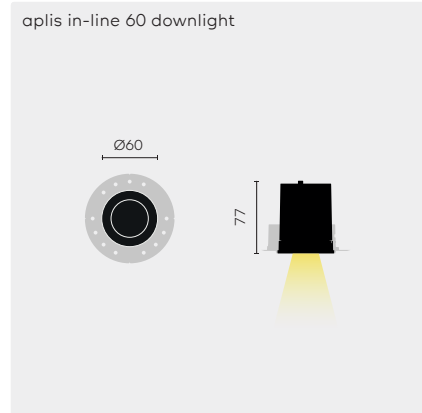
Driver	KR752730	LED driver, 700mA, ON/OFF, 1-3W (IP65) ❶
	KR772631	LED driver, 700mA, phase dim, 2,1-9,8W ❶
	KR772632	LED driver, 700mA, 0/1-10V, 7-12W ❶
	KR772633	LED driver, 700mA, DALI, 1,4-8,4W ❶
	KR752633	LED driver, 700mA, DALI, 1,75-10W ❷
	KR772142	LED driver, 1050mA, 1-10V, 2,1-38W ❷
	KR772443	LED driver, 1050mA, DALI, 2,1-60W ❷
	KR772249	LED driver, 1050mA, Casambi, 10-30W ❷
Distance ring (for plasterkit concrete)	KR707307	Distance ring 2mm (set of 5 pcs.)
	KR707308	Distance ring 3mm (set of 5 pcs.)
	KR707309	Distance ring 5mm (set of 5 pcs.)

REMARKS

- ❶ Driver fits through the installation hole. Other types of dimmable drivers should be placed on remote.
- ❷ Should be placed on remote.

Thickness boardmaterial:
9-14mm

kreon aplis in-line 60



aplis in-line 60 downlight SSP & SP
 Ø 83 D 87-113

aplis in-line 60 downlight FL & WFL
 Ø 83 D 87-113

aplis in-line 60 HE wallwasher
 Ø 83 D 92

KR-code	Light sources	9027 2700K, CRI90+	9030 3000K, CRI90+	9040 4000K, CRI90+	9527 2700K, CRI95+	9530 3000K, CRI95+	9540 4000K, CRI95+	TW Tunable white (2700K-5000K), CRI90+	DTW Dim-to-warm (1800K-3000K), CRI97+	SSP Super spot (18°)	SP Spot (34°)	FL Flood (54°)	WFL Wide flood (69°)	Required accessories	Optional accessories
---------	---------------	-----------------------	-----------------------	-----------------------	-----------------------	-----------------------	-----------------------	---	--	-------------------------	------------------	-------------------	-------------------------	----------------------	----------------------

KR907363	①	●	●	●	●	●	●	●	●	●	●			■	■
KR907763	②	●	●	●	●	●	●	●	●			●	●	■	■
KR907561	③	●	●	●	●	●	●	●	●					■	■
KR907562	③	●	●	●	●	●	●	●	●					■	■

Required accessories

Plasterkit , front mounting	KR707164	Plasterkit, front mounting, no shadowgap ①
	KR707070	Plasterkit, backside mounting, no shadowgap ②
Installation kit	KR707170	Installation kit, backside mounting, no shadowgap ②
Plasterkit concrete	KR707161	Plasterkit for concrete installation, no shadowgap ①
Louvre for downlight	KR707366	Louvre, white
	KR707362	Louvre, black
Louvre for wallwasher	KR707561	Louvre, white
	KR707562	Louvre, black
Deep recessed installation (only for downlight) ③	KR707666	Deep recessed louvre, white
	KR707662	Deep recessed louvre, black
	KR707664	Deep recessed louvre, brushed bronze
	KR707667	Deep recessed louvre, brushed silver
	KR707668	Deep recessed louvre, brushed gold
	KR707669	Deep recessed louvre, gun black

		CRI	CCT	Wattage	Drive current	Fixture lumen
① LED (SSP)	CRI90+/CRI95+	2700K/3000K/4000K		9,9W	300mA	566lm
	CRI90+/CRI95+	2700K/3000K/4000K		9,9W	300mA	717lm
② LED (FL)	CRI90+/CRI95+	TW 2700K-5000K		2x12W	300mA	835-1053lm
	CRI90+/CRI97+	DTW 1800K-3000K		12,6W	350mA	726lm
② LED (WFL)	CRI90+/CRI95+	2700K/3000K/4000K		12W	350mA	1037lm
	CRI90+/CRI97+	TW 2700K-5000K		2x12W	300mA	907-1153lm
③ LED (WW)	CRI90+/CRI95+	2700K/3000K/4000K		12,6W	350mA	823lm
	CRI90+/CRI97+	DTW 1800K-3000K		12,6W	350mA	891lm
③ LED (WW)	CRI90+/CRI95+	2700K/3000K/4000K		9,9W	300mA	807lm
	CRI90+/CRI97+	TW 2700K-5000K		2x12W	300mA	837lm - 1111lm
		DTW 1800K-3000K		12,6W	350mA	831lm

REMARKS

Superspot with tunable white and dim-to-warm cannot be combined.

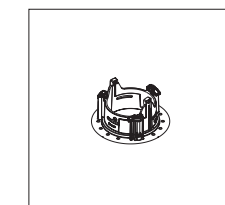
① plasterkit is suitable for louvre and deep recessed louvre

② not compatible with wallwasher

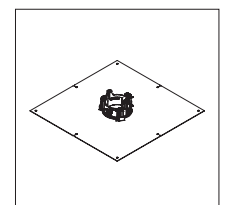
③ RAL-colours on request.

Thickness boardmaterial:
 9-26mm
 Gear excluded
 ♦ IP20

Plasterkit



Plasterkit concrete



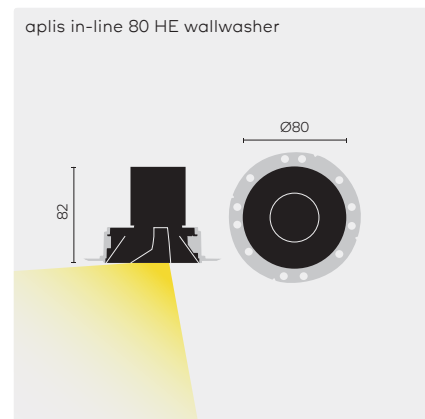
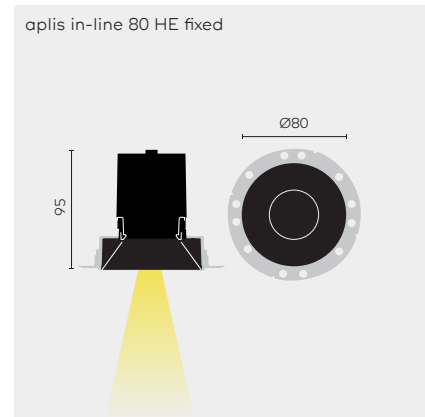
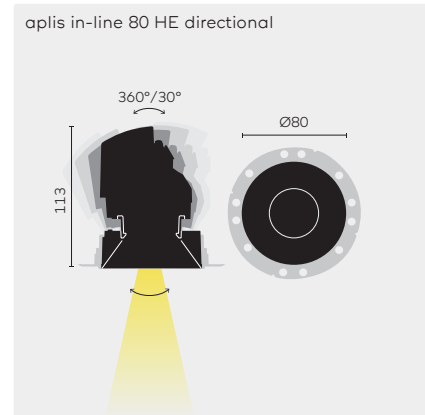
■ Optional accessories

Driver 300mA for SSP, SP & wallwasher ①	KR747464	LED driver, 300mA, ON/OFF, 16W
	KR747562	LED driver, 300mA, 1-10V, 15W
	KR747666	LED driver, 300mA, DALI, 16W (suitable for dim-to-warm)
	KR772209	LED driver, 300mA, Casambi, 16W (suitable for dim-to-warm)
Driver 350mA for FL & WFL ②	KR747064	LED driver, 350mA, ON/OFF, 18W
	KR747162	LED driver, 350mA, 1-10V, 18W
Driver 350mA (dim-to-warm)	KR747267	LED driver, 350mA, DALI, 3,5-17W, dim-to-warm
	KR772219	LED driver, 350mA, Casambi, 18,5W (suitable for dim-to-warm)
Driver (tunable white)	KR747766	LED driver, tunable white, 300mA, DALI-2 DT8, 2x0,6-16,5W ①
	KR747866	LED driver, tunable white, 280mA, DALI-2 DT8, 2x1-11,2W ①
Installation tool for downlight ②	KR707760	Installation tool

REMARKS

- ① plenum height needs to be 150mm to push driver through plasterkit.
- ② One tool per project recommended

kreon aplis in-line 80 high efficiency



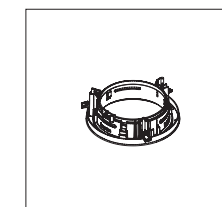
	Colour	KR-code	Light sources	9027 2700K, CRI90+	9030 3000K, CRI95+	9040 4000K, CRI90+	9527 2700K, CRI90+	9530 3000K, CRI95+	9540 4000K, CRI95+	TW Tunable white (2700K-5000K), CRI90+	DTW Dim-to-warm (1800K-3000K), CRI97+	SSP Superspot (18°)	SP Spot (35°)	FL Flood (52°)	WFL Wide flood (69°)	Required accessories	Optional accessories
aplis in-line 80 HE directional superspot & spot ① Ø 102 D 120		<u>KR917023</u>	①	●	●	●	●	●	●	●	●	●	●			■	■
aplis in-line 80 HE directional flood ② Ø 102 D 120		<u>KR917123</u>	②	●	●	●	●	●	●	●	●			●		■	■
aplis in-line 80 HE fixed superspot & spot ③ Ø 102 D 105		<u>KR917223</u>	③	●	●	●	●	●	●	●	●	●	●			■	■
aplis in-line 80 HE fixed flood & wide flood ④ Ø 102 D 105		<u>KR917323</u>	④	●	●	●	●	●	●	●	●			●	●	■	■
aplis in-line 80 HE fixed IP44 superspot & spot ② Ø 102 D 105		<u>KR917723</u>	③	●	●	●	●	●	●	●	●	●	●			■	■
aplis in-line 80 HE fixed IP44 flood & wide flood ④ Ø 102 D 105		<u>KR917713</u>	④	●	●	●	●	●	●	●	●			●	●	■	■
aplis in-line 80 HE wallwasher ⑤ Ø 102 D 92	○	<u>KR917421</u>	⑤	●	●	●	●	●	●	●	●					■	■
	●	<u>KR917422</u>	⑤	●	●	●	●	●	●	●	●					■	■

		CRI	CCT	Wattage	Drive current	Fixture lumen
①	LED (SSP)	CRI90+/ CRI95+	2700K/3000K/4000K	9,9W	300mA	500lm
	LED (SP)	CRI90+/ CRI95+	2700K/3000K/4000K TW 2700K-5000K	9,9W	300mA	736lm
②	LED (FL/ WFL)	CRI90+/ CRI95+	2700K/3000K/4000K TW 2700K-5000K	12W	350mA	995lm
		CRI90+/ CRI97+	DTW 1800K-3000K	2x12W 12,6W	300mA 350mA	914-1172lm 823lm
③	LED (SSP/ SP)	CRI90+/ CRI95+	2700K/3000K/4000K TW 2700K-5000K	9,9W	300mA	TBD
		CRI90+/ CRI97+	DTW 1800K-3000K	2x12W 12,6W	300mA 350mA	TBD
④	LED (FL/ WFL)	CRI90+/ CRI95+	2700K/3000K/4000K TW 2700K-5000K	12W	300mA	TBD
		CRI90+/ CRI97+	DTW 1800K-3000K	2x12W 12,6W	300mA 350mA	TBD
⑤	LED (WW)	CRI90+/ CRI95+	2700K/3000K/4000K	9,9W	300mA	807lm
		CRI90+/ CRI97+	TW 2700K-5000K DTW 1800K-3000K	2x12W 12,6W	300mA 350mA	837lm-1111lm TBD

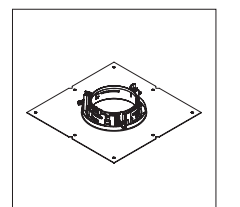
REMARKS
Superspot with tunable white and dim-to-warm cannot be combined.

Thickness boardmaterial:
9-26mm
Gear excluded
① IP40
② IP44

Plasterkit



Plasterkit concrete



■ Required accessories

Plasterkit	KR717104	Plasterkit,, front mounting no shadowgap
	KR717108	Plasterkit, front mounting, shadowgap
	KR717000	Plasterkit, back mounting, no shadowgap
Plasterkit concrete	KR717101	Plasterkit for concrete installation, no shadowgap (430x430)
	KR717102	Plasterkit for concrete installation, no shadowgap, small (200x200)
	KR717109	Plasterkit for concrete installation, shadowgap (430x430)
	KR717107	Plasterkit for concrete installation, shadowgap, small (200x200)
Installation kit for panel ceiling	KR717100	Installation kit, back mounting, no shadowgap
Louvre ②	KR717106	Louvre, white
	KR717122	Louvre, black
	KR717124	Louvre, brushed bronze
	KR717127	Louvre, brushed silver
	KR717128	Louvre, brushed gold
	KR717129	Louvre, gun black
Deep recessed installation (only for downlight)	KR717921	Deep recessed louvre, white
	KR717922	Deep recessed louvre, black
	KR717924	Deep recessed louvre, brushed bronze
	KR717927	Deep recessed louvre, brushed silver
	KR717928	Deep recessed louvre, brushed gold
	KR717929	Deep recessed louvre, gun black

■ Optional accessories

Driver 300mA for SSP, SP & wallwasher ①	KR747464	LED driver, 300mA, ON/OFF, 16W
	KR747562	LED driver, 300mA, 1-10V, 15W
	KR747666	LED driver, 300mA, DALI, 16W (suitable for dim-to-warm)
	KR772209	LED driver, 300mA, Casambi, 16W (suitable for dim-to-warm)
Driver 350mA for FL & WFL ②	KR747064	LED driver, 350mA, ON/OFF, 18W
	KR747162	LED driver, 350mA, 1-10V, 18W
Driver 350mA (dim-to-warm)	KR747267	LED driver, 350mA, DALI, 3,5-17W, dim-to-warm
	KR772219	LED driver, 350mA, Casambi, 18,5W (suitable for dim-to-warm)
Driver (tunable white)	KR747766	LED driver, tunable white, 300mA, DALI-2 DT8, 2x0,6-16,5W
	KR747866	LED driver, tunable white, 280mA, DALI-2 DT8, 2x1-11,2W ①
Distance ring (for plasterkit concrete)	KR717307	Distance ring 2mm (set of 5 pcs.)
	KR717308	Distance ring 3mm (set of 5 pcs.)
	KR717309	Distance ring 5mm (set of 5 pcs.)

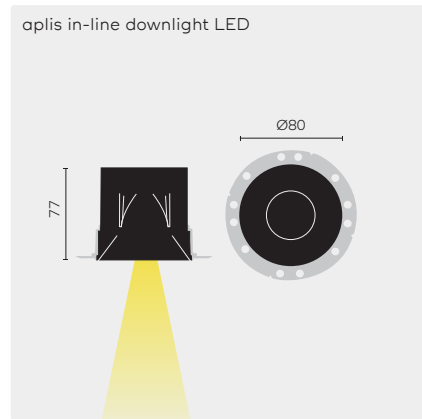
REMARKS

See page 610 for more information about different installation kits.

① Driver fits through installation hole, reduced current of 280mA results in 7% less lumen.

② RAL-colours on request.

kreon aplis in-line 80



	KR-code	Light sources	Optional accessories
aplis in-line 80 directional LED ⌀ 102 H 120 Filter holder: incl., glare snoot: incl.	KR917933	9027 2700K, CRI90+ 9030 3000K, CRI90+ 9040 4000K, CRI90+ 9527 2700K, CRI95+ ① 9530 3000K, CRI95+ ① 9540 4000K, CRI95+ ①	SP Spot (18°) FL Flood (28°) WFL Wide flood (38°) ■
aplis in-line 80 downlight LED ⌀ 102 H 100 Wide flood reflector (38°): incl.	KR917033	● ● ●	■
Required accessories			
Plasterkit	KR717104	Plasterkit, front mounting no shadowgap	
	KR717108	Plasterkit, front mounting, shadowgap	
	KR717000	Plasterkit, back mounting, no shadowgap	
Plasterkit concrete	KR717101	Plasterkit for concrete installation, no shadowgap (430x430)	
	KR717102	Plasterkit for concrete installation, no shadowgap, small (200x200)	
	KR717109	Plasterkit for concrete installation, shadowgap (430x430)	
	KR717107	Plasterkit for concrete installation, shadowgap, small (200x200)	
Installation kit for panel ceiling	KR717100	Installation kit, back mounting, no shadowgap	
Louvre ②	KR717106	Louvre, white	
	KR717122	Louvre, black	
	KR717124	Louvre, brushed bronze	
	KR717127	Louvre, brushed silver	
	KR717128	Louvre, brushed gold	
	KR717129	Louvre, gun black	
Dropped louvre (only for downlight) ② ③	KR717906	Dropped louvre, white	
	KR717902	Dropped louvre, black	
	KR717804	Dropped louvre, brushed bronze	
	KR717807	Dropped louvre, brushed silver	
	KR717808	Dropped louvre, brushed gold	
	KR717809	Dropped louvre, gun black	
Louvre IP44 (only for downlight) ④	KR717306	Louvre IP44, white	
	KR717302	Louvre IP44, black	

REMARKS

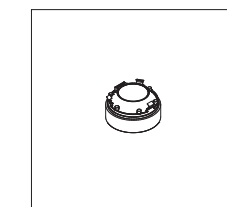
- ① Minimum CRI95+, typical CRI98+
- ② RAL-colours on request.
- ③ Use only in combination with spot optic.
- ④ IP44 connection in plenum required.

See page 610 for more information about different installation kits.

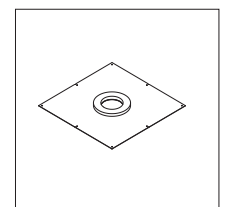
Thickness boardmaterial: 9-26mm
 Gear excluded.
 IP40

	CRI	CCT	Voltage	Wattage	Drive current	Fixture lumen
① LED	CRI95+	2700K/3000K/4000K		11,9W	350mA	665lm
② LED	CRI90+	2700K/3000K/4000K		11,4W	700mA	985lm

Dropped louvre



Plasterkit concrete



■ Optional accessories

Lenses (only for directional) ❶

KR704100 Sculpture lens ❷

KR704200 Diffusing lens

KR772342 Anti-glare louvre ❷

Driver 350mA

KR747064 LED driver, 350mA, ON/OFF, 0,7-19W

KR752743 LED driver, 350mA, phase dim, 0,7-17W

KR747162 LED driver, 350mA, 1-10V, 6-18W

KR747266 LED driver, 350mA, DALI, 3,5-17W

KR772219 LED driver, 350mA, Casambi, 3,5-18,5W

Driver 700mA

KR772034 LED driver, 700mA, ON/OFF, 20W,

KR772232 LED driver, 700mA, 1-10V, 20W

KR772236 LED driver, 700mA, DALI, 18W

KR772430 LED driver, 700mA, phase dim, 25W

KR772931 LED driver, 700mA, phase dim, 14W

KR772239 LED driver, 700mA, Casambi, 36W

Distance ring (for plasterkit concrete)

KR717307 Distance ring 2mm (set of 5 pcs.)

KR717308 Distance ring 3mm (set of 5 pcs.)

KR717309 Distance ring 5mm (set of 5 pcs.)

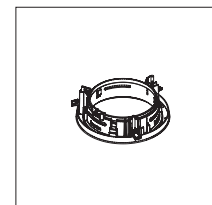
REMARKS

❶ Only one optional lens possible.

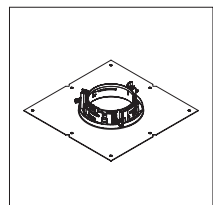
❷ It's recommended to use a spot or flood beam.

Thickness boardmaterial:
9-26mm

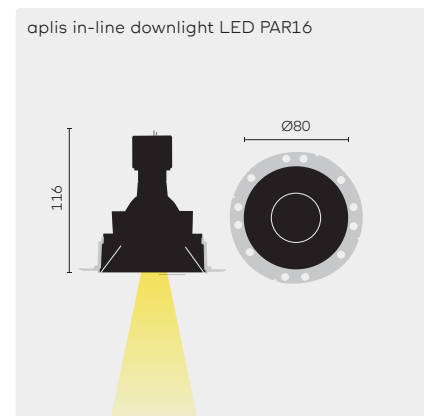
Plasterkit



Plasterkit concrete



kreon aplis in-line 80



	KR-code	Light sources	Required accessories	Optional accessories
aplis in-line 80 directional LED MR16 ⊙ Ø 102 H 110 ⬠ Filter holder: incl., glare snoot: incl., lamp: excl.	KR917803	①	■ ■	
aplis in-line 80 directional LED PAR16 ⊙ Ø 102 H 125 □ Filter holder: incl., glare snoot: incl., lamp: excl.	KR917843	②	■ ■	
aplis in-line 80 downlight LED MR16 ⊙ Ø 102 H 110 ⬠ Lamp: excl.	KR917233	①	■ ■	
aplis in-line 80 downlight LED PAR16 ⊙ Ø 102 H 125 □ Lamp: excl.	KR917253	②	■ ■	

■ Required accessories

Plasterkit	KR717104	Plasterkit,, front mounting no shadowgap	
	KR717108	Plasterkit, front mounting, shadowgap	
	KR717000	Plasterkit, back mounting, no shadowgap	
Plasterkit concrete	KR717101	Plasterkit for concrete installation, no shadowgap (430x430)	
	KR717102	Plasterkit for concrete installation, no shadowgap, small (200x200)	
	KR717109	Plasterkit for concrete installation, shadowgap (430x430)	
	KR717107	Plasterkit for concrete installation, shadowgap, small (200x200)	
Installation kit for panel ceiling	KR717100	Installation kit, back mounting, no shadowgap	
Louvre ①	KR717106	Louvre, white	
	KR717122	Louvre, black	
	KR717124	Louvre, brushed bronze	
	KR717127	Louvre, brushed silver	
	KR717128	Louvre, brushed gold	
	KR717129	Louvre, gun black	
	Louvre IP44 (only for KR917233 & KR917253)	KR717306	Louvre IP44, white
		KR717302	Louvre IP44, black

■ Optional accessories

Lenses	KR704100	Sculpture lens
	KR704200	Diffusing lens
	KR772342	Anti-glare louvre

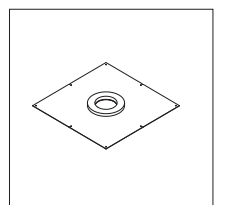
REMARKS

① RAL-colours on request.

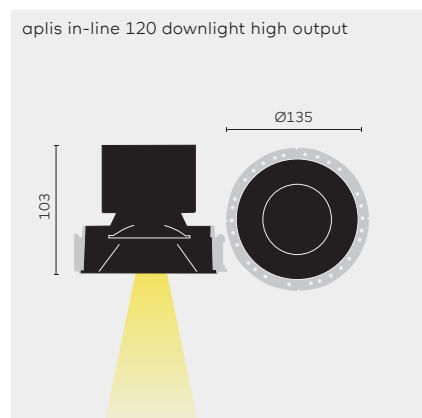
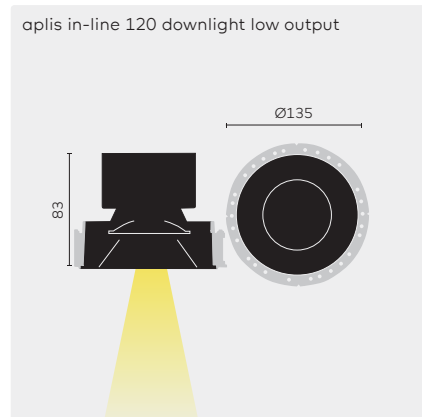
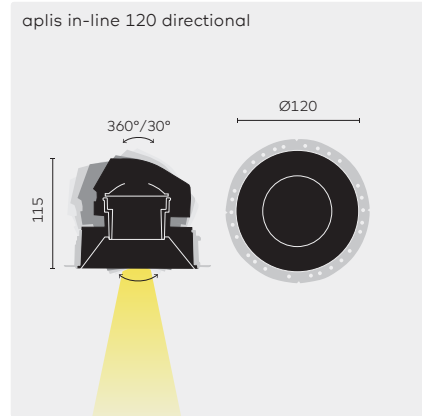
See page 610 for more information about different installation kits.

Thickness boardmaterial:
9-26mm
Gear excluded.
IP40

Plasterkit concrete



kreon aplis in-line 120



	KR-code	Light sources	9027 2700K, CRI90+	9030 3000K, CRI90+	9040 4000K, CRI90+	9827 2700K, CRI98+	9830 3000K, CRI98+	9840 4000K, CRI98+	SP Spot (12°)	FL Flood (28°)	WFL Wide flood (34°)	Required accessories ①	Optional accessories ②
aplis in-line 120 directional ⊙ Ø 144 H 140 Filter holder: incl., glare snoot: incl	<u>KR907933</u>	①	●	●	●	●	●	●	●	●	●	■	■
aplis in-line 120 downlight low output ⊙ Ø 144 H 110	<u>KR907233</u>	②	●	●	●	●	●	●	●	●	●	■	■
aplis in-line 120 downlight high output ⊙ Ø 144 H 130	<u>KR907243</u>	③	●	●	●	●	●	●	●	●	●	■	■

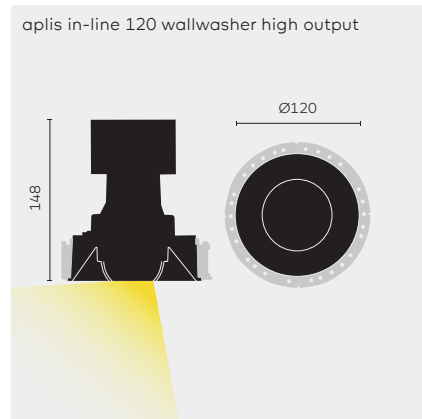
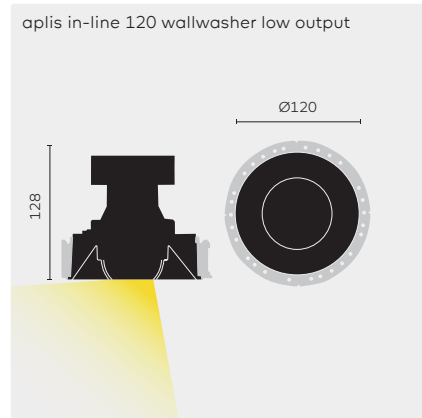
		CRI	CCT	Wattage	Drive current	Fixture lumen	
①	LED	SP	CRI90+	2700K/3000K/4000K	15,6W	700mA	800lm
			CRI98+	2700K/3000K/4000K	15,2W	700mA	573lm
	FL & WFL	CRI90+	2700K/3000K/4000K	17,1W	700mA	987lm	
		CRI98+	2700K/3000K/4000K	12,9W	700mA	691lm	
②	LED	SP	CRI90+	2700K/3000K/4000K	15,6W	700mA	1004lm
			CRI98+	2700K/3000K/4000K	15,2W	700mA	839lm
	FL & WFL	CRI90+	2700K/3000K/4000K	17,1W	700mA	1609lm	
		CRI98+	2700K/3000K/4000K	12,9W	700mA	1127lm	
③	LED	CRI90+	2700K/3000K/4000K	25,7W	1050mA	2430lm	
		CRI98+	2700K/3000K/4000K	20W	1050mA	1605lm	

REMARKS

① Find accessories on page 58-59.

Thickness boardmaterial:
9-26mm
Gear excluded.
⊙ IP40

kreon aplis in-line 120



aplis in-line 120 wallwasher low output
 ⌀ 144 H 150
 Wallwash reflector: incl.



aplis in-line 120 wallwasher high output
 ⌀ 144 H 170
 Wallwash reflector: incl.

Colour	KR-code	Light sources	9027 2700K, CRI90+	9030 3000K, CRI90+	9040 4000K, CRI90+	9827 2700K, CRI98+	9830 3000K, CRI98+	9840 4000K, CRI98+	Required accessories ①	Optional accessories ②
○	KR907531	①	●	●	●	●	●	●	■	■
●	KR907532	①	●	●	●	●	●	●	■	■
○	KR907541	②	●	●	●	●	●	●	■	■
●	KR907542	②	●	●	●	●	●	●	■	■

		CRI	CCT	Wattage	Drive current	Fixture lumen
①	LED	CRI83+	2700K/3000K/4000K	15,2W	700mA	937lm
		CRI90+	2700K/3000K/4000K	17,1W	700mA	906lm
		CRI98+	2700K/3000K/4000K	12,9W	700mA	633lm
②	LED	CRI83+	2700K/3000K/4000K	25,6W	1050mA	1385lm
		CRI90+	2700K/3000K/4000K	25,7W	1050mA	1275lm
		CRI98+	2700K/3000K/4000K	20W	1050mA	840lm

REMARKS

① Find accessories on page 58-59.

Thickness boardmaterial:
 9-26mm
 Gear excluded.
 ⌀ IP40

■ Required accessories

Plasterkit	KR707204	Plasterkit, front mounting, no shadowgap
	KR707208	Plasterkit, front mounting, shadowgap
Plasterkit concrete	KR707201	Plasterkit for concrete installation, no shadowgap
	KR707209	Plasterkit for concrete installation, shadowgap
Louvre	KR707206	Louvre, white
	KR707222	Louvre, black
Louvre IP44 (only for downlight) ❶	KR707406	Louvre IP44, white
	KR707402	Louvre IP44, black

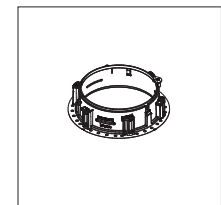
■ Optional accessories

Lenses (only for directional) ❷	KR750100	Sculpture lens ❸
	KR750200	Diffusing lens
	KR750800	Softening lens
Driver	KR772034	LED driver, 700mA, ON/OFF, 1,4-20W
	KR772232	LED driver, 700mA, 1-10V, 1,4-20W
	KR772236	LED driver, 700mA, DALI, 5,5-18W
	KR772430	LED driver, 700mA, phase dim, 13-25W
	KR772239	LED driver, 700mA, Casambi, 7-36W
	KR772140	LED driver, 1050mA, ON/OFF, 19-42W
	KR772142	LED driver, 1050mA, 1-10V, 1-39W
	KR772143	LED driver, 1050mA, DALI, 16-35W
Distance ring (for plasterkit concrete)	KR707407	Distance ring 2mm (set of 5 pcs.)
	KR707408	Distance ring 3mm (set of 5 pcs.)
	KR707409	Distance ring 5mm (set of 5 pcs.)

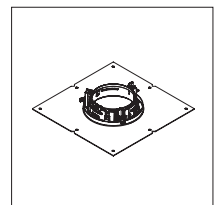
REMARKS

- ❶ IP44 connection in plenum required.
- ❷ Only one optional lens or louvre possible.
- ❸ Use only in combination with spot optic.

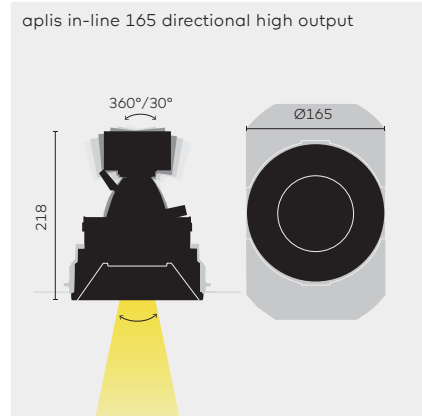
Plasterkit






Plasterkit concrete



kreon aplis in-line 165



	KR-code	Light sources	Required accessories	Optional accessories
 aplis in-line 165 directional high output Ø 186 H 250 Filter holder: incl., glare snoot: incl.	KR917343	9027 2700K, CRI90+ 9030 3000K, CRI90+ 9040 4000K, CRI90+ 9827 2700K, CRI98+ 9830 3000K, CRI98+ 9840 4000K, CRI98+	 	
■ Required accessories				
Plasterkit	KR717204	Plasterkit, front mounting, no shadowgap		
	KR717208	Plasterkit, front mounting, shadowgap		
Plasterkit concrete	KR717201	Plasterkit for concrete installation, no shadowgap		
	KR717209	Plasterkit for concrete installation, shadowgap		
Louvre	KR717206	Louvre, white		
	KR717222	Louvre, black		
Reflector	KR720032	Reflector LED, spot 13°		
	KR720034	Reflector LED, flood 23°		
	KR720036	Reflector LED, wide flood 40°		
■ Optional accessories				
Lenses ^①	KR720100	Sculpture lens ^②		
	KR720200	Diffusing lens		
	KR720800	Softening lens		
Driver	KR772140	LED driver, 1050mA, ON/OFF, 36W		
	KR772142	LED driver, 1050mA, 1-10V, 39W		
	KR772143	LED driver, 1050mA, DALI, 35W		
	KR772249	LED driver, 1050mA, Casambi, 37W		

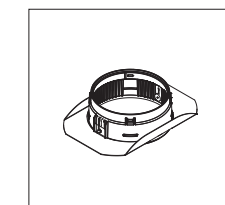
	CRI	CCT	Wattage	Drive current	Fixture lumen
① LED	CRI90+	2700K/3000K/4000K	25,7W	1050mA	1874lm
	CRI98+	2700K/3000K/4000K	20W	1050mA	1249lm

REMARKS

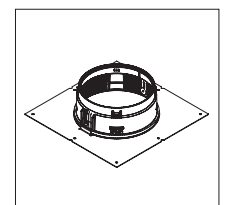
- ① Only one optional lens possible.
- ② Use only in combination with spot optic.

Thickness boardmaterial:
9-26mm
Gear excluded.
⊗ IP40

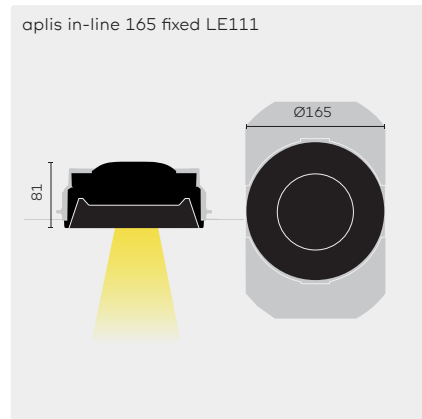
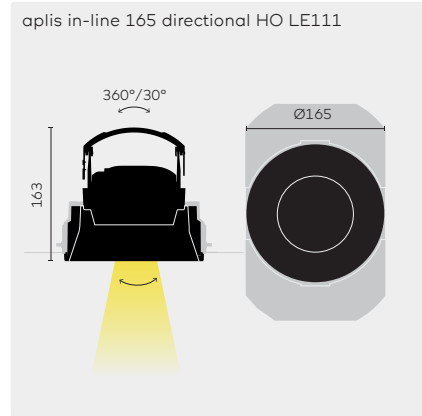
Plasterkit



Plasterkit concrete



kreon aplis in-line 165



 **aplis in-line 165 directional high output LE111 ①**
 ⌀ 175 H 175
 glare snoot: incl.

 **aplis in-line 165 fixed high output LE111 ①**
 ⌀ 175 H 95

■ Required accessories

Light engine ②

KR732100-9030-SP Light engine 111, 3000K, CRI90+, 15°, 25,7W, 700mA (2350lm)

KR732100-9030-FL Light engine 111, 3000K, CRI90+, 24°, 36,9W, 1050mA (3450lm)

KR732100-9030-WFL Light engine 111, 3000K, CRI90+, 60°, 36,8W, 1050mA (3150lm)

■ Optional accessories

Driver

KR772530 LED driver, 700mA, ON/OFF, 28W

KR772140 LED driver, 1050mA, ON/OFF, 19-42W

KR772233 LED driver, 700mA, DALI, 8,4-27W

KR772643 LED driver, 1050mA, DALI, 40W

Colour	KR-code	No shadowgap	SH Shadowgap	Required accessories	Optional accessories
○	<u>KR917351</u>	●	●	■	■
●	<u>KR917352</u>	●	●	■	■
○	<u>KR917451</u>	●	●	■	■
●	<u>KR917452</u>	●	●	■	■

REMARKS

① Louvre + plasterkit included

② Other CRI, CCT and beam angles available on request

Thickness boardmaterial:

9-26mm

Gear excluded.

⊕ IP40

kreon ato

kreon ato is an indoor range of highly performant recessed lighting tools for focused light.

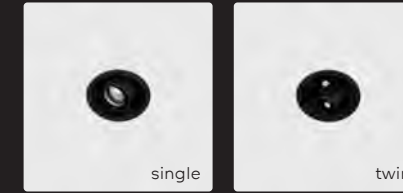
With single or double directional lampheads, they meet the needs of accent lighting requirements in residential environments, commercial premises and hospitality projects. kreon ato has a rotational adjustment of 360° and an angular adjustment of 30° which, when combined with the choice of high quality reflectors with faceted spherical smooth surfaces provides a versatile accent lighting tool.

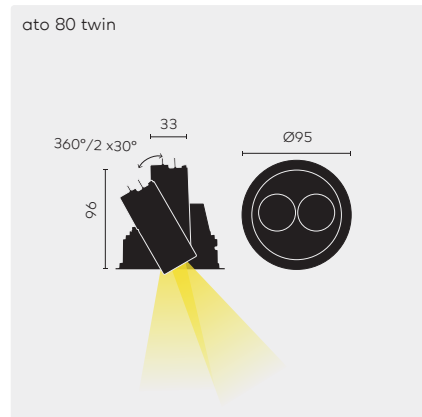
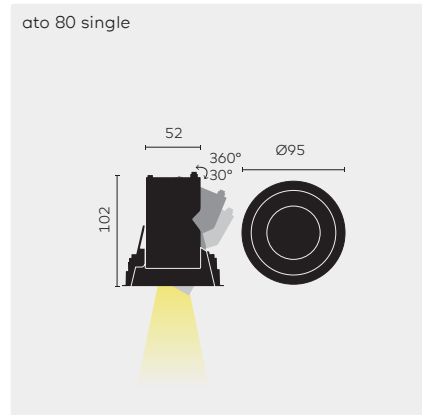
kreon ato single comes in two beam angles, flood (30°) and wide flood (40°) and can be additionally equipped with professional screening accessories.

kreon ato twin has two lampheads in two possible beam angles, flood (32°) and wide flood (55°) that can be tilted independently.

[↑ back to overview page recessed downlights](#)

ato 80
66





ato 80 single
 ⌀ 90 H min. 110

ato 80 twin
 ⌀ 90 H min. 110

■ **Optional accessories**

Plasterkit concrete

Glare preventer (only for ato 80 single)

Lenses

Driver

Colour trim
 KR-code
 Light sources
9027
 2700K, CRI90+
9030
 3000K, CRI90+
FL
 Flood (30°)
WFL
 Wide flood (40°)
P1
 White lamphead
P2
 Black lamphead
 Optional accessories

○	KR937911	①	●	●	●	●	●	●	■
●	KR937912	①	●	●	●	●	●	●	■
○	KR937621	②	●	●	●	●	●	●	■
●	KR937622	②	●	●	●	●	●	●	■

KR737702 Plasterkit for concrete installation

○ **KR706721** Straight glare preventer, white, H30

● **KR706722** Straight glare preventer, black, H30

KR706070 Anti-glare louvre

KR706270 Diffusing lens

KR772024 LED driver, 500mA, ON/OFF, 20W

KR772220 LED driver, 500mA, 1-10V, 20W

KR772126 LED driver, 500mA, DALI, 20W

KR772542 LED driver, 500mA, phase dimming, 18W

KR772229 LED driver, 500mA, Casambi, 27W

KR772034 LED driver, 700mA, ON/OFF, 20W

KR772232 LED driver, 700mA, 1-10V, 20W

KR772236 LED driver, 700mA, DALI, 18W

KR772931 LED driver, 700mA, phase dim, 14W

KR772239 LED driver, 700mA, Casambi, 36W

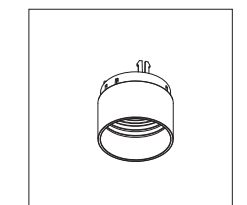
	CRI	CCT	Wattage	Drive current	Fixture lumen
① LED	CRI90+	2700K/3000K	12W	700mA	1150lm
② LED	CRI90+	2700K/3000K	2 x 5,9W	500mA	2 x 325lm

REMARKS

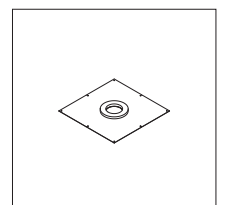
① Lenses only in combination with a glare preventer. Max. 2 accessories per glare preventer.

Thickness boardmaterial:
 9-26mm
 Gear excluded.
 ⌀ IP20

Straight glare preventer



Plasterkit concrete



kreon ato in-line

kreon ato in-line is an indoor range of highly performant recessed trimless lighting tools for focused light.

With single or double directional lampheads, they meet the needs of accent lighting requirements in residential environments, commercial premises and hospitality projects. kreon ato in-line has a rotational adjustment of 360° and an angular adjustment of 30° which when combined with the choice of high quality reflectors with faceted spherical smooth surfaces provides a truly versatile accent lighting tool.

kreon ato in-line single comes in two beam angles, flood (30°) and wide flood (40°) and can be additionally equipped with professional screening accessories.

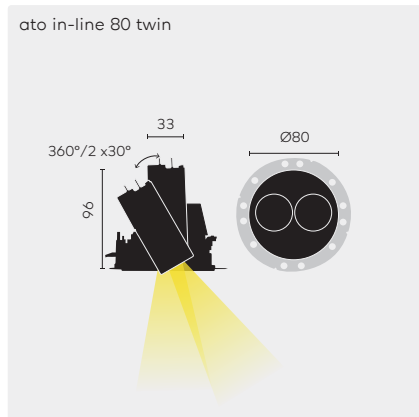
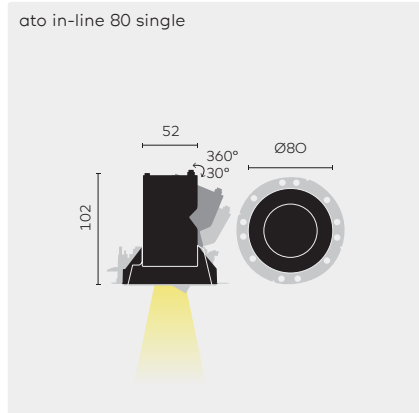
kreon ato in-line twin has two lampheads in two possible beam angles, flood (32°) and wide flood (55°) that can be tilted independently.

[↑ back to overview page recessed downlights](#)

ato in-line 80
70



kreon ato in-line 80



	Colour louvre	KR-code	Light sources	9027 2700K, CRI90+	9030 3000K, CRI90+	FL Flood (30°)	WFL Wide flood (40°)	P1 White lamphead	P2 Black lamphead	Required accessories	Optional accessories
ato in-line 80 single ⌀ 102 H min. 110	○	KR917911	①	●	●	●	●	●	●	■	■
	●	KR917912	①	●	●	●	●	●	●	■	■
ato in-line 80 twin ⌀ 102 H min. 110	○	KR917621	②	●	●	●	●	●	●	■	■
	●	KR917622	②	●	●	●	●	●	●	■	■
■ Required accessories											
Plasterkit		KR717104		Plasterkit, front mounting, no shadowgap							
		KR717108		Plasterkit, front mounting, shadowgap							
		KR717108		Plasterkit, back mounting, no shadowgap							
Plasterkit concrete		KR717101		Plasterkit for concrete installation, no shadowgap (430x430)							
		KR717102		Plasterkit for concrete installation, no shadowgap, small (200x200)							
		KR717109		Plasterkit for concrete installation, shadowgap (430x430)							
		KR717107		Plasterkit for concrete installation, shadowgap, small (200x200)							
Installation kit for wooden ceiling		KR717100		Installation kit, no shadowgap							
■ Optional accessories											
Glare preventer (only for ato in-line 80 single)	○	KR706721		Straight glare preventer, white, H30							
	●	KR706722		Straight glare preventer, black, H30							
Lenses ①		KR706070		Anti-glare louvre							
		KR706270		Diffusing lens							
Driver		KR772024		LED driver, 500mA, ON/OFF, 20W							
		KR772220		LED driver, 500mA, 1-10V, 20W							
		KR772126		LED driver, 500mA, DALI, 20W							
		KR772542		LED driver, 500mA, phase dimming, 18W							
		KR772229		LED driver, 500mA, Casambi, 27W							
		KR772034		LED driver, 700mA, ON/OFF, 20W							
		KR772232		LED driver, 700mA, 1-10V, 20W							
		KR772236		LED driver, 700mA, DALI, 18W							
		KR772931		LED driver, 700mA, phase dim, 14W							
		KR772239		LED driver, 700mA, Casambi, 36W							
Distance rings (for plasterkit concrete)		KR717307		Distance ring, 2mm (set of 5pcs.)							
		KR717308		Distance ring, 3mm (set of 5pcs.)							
		KR717309		Distance ring, 5mm (set of 5pcs.)							

	CRI	CCT	Wattage	Drive current	Fixture lumen
① LED	CRI90+	2700K/3000K	12W	700mA	1150lm
② LED	CRI90+	2700K/3000K	2 x 5,9W	500mA	2 x 325lm

REMARKS

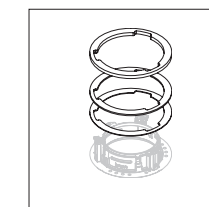
① Lenses only in combination with a glare preventer. Max. 2 accessories per glare preventer.

See page 610 for more information about different installation kits.

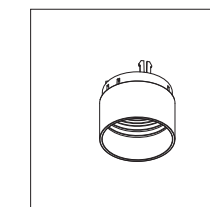
Thickness boardmaterial: 9-26mm

Gear excluded.
⌀ IP20

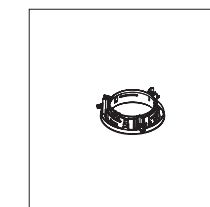
Distance rings



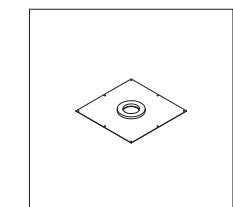
Straight glare preventer



Plasterkit



Plasterkit concrete



kreon down

kreon down is a set of square, easy to install, recessed ceiling lighting tools with trim. The range is available in different apertures and is suitable for a wide range of applications.

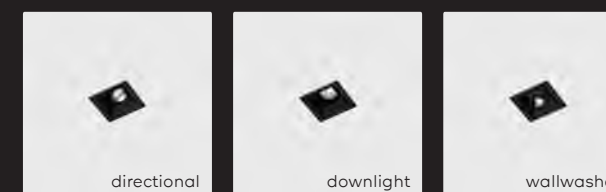
kreon down directional is a fully recessed spotlight with a built-in snoot that serves two purposes. Firstly it absorbs stray flux, so aiding a control, and secondly it provides an integrated mounting ring for the fixation of additional optical lenses for increased optimisation. kreon down directional has a rotational adjustment of 360° and an angular adjustment of 30°, which, when combined with the choice of spot, flood and wide flood TIR reflector, provides a truly versatile accent lighting tool.

kreon down downlight is the perfect solution for general lighting and features a flood beam mirror reflector set above the black or white internal louvre, optimised to create pools of light on horizontal surfaces or dramatic scalloping effects on verticals.

kreon down wallwasher provides near perfect uniformity on vertical surfaces. This is made possible by the unique optical design that is capable of reflecting light to the very top of adjacent walls through a full 180° beam angle, whilst still maintaining an effective down light component.

[↑ back to overview page recessed downlights](#)

down 40
74



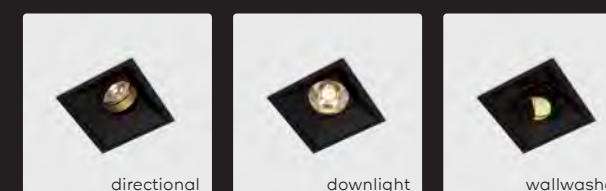
down 60
76



down 80
78



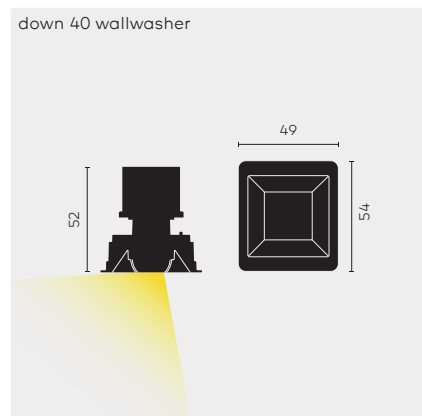
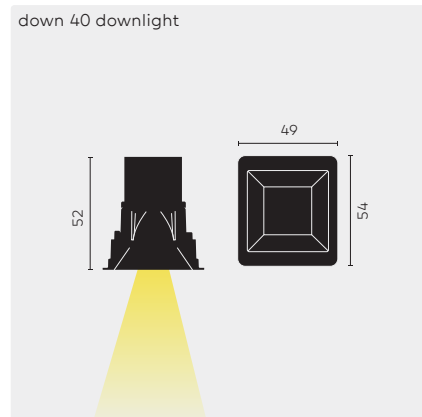
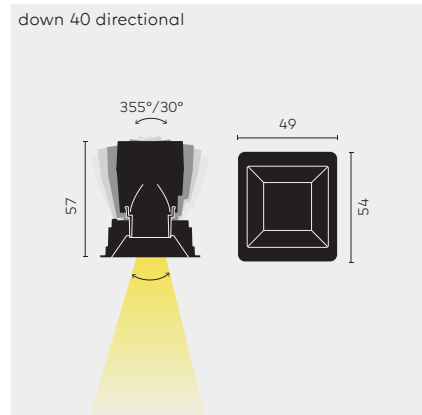
down 120
86




down 165
90




kreon down 40



 **down 40 directional**
 ⌀ LxW 45x45 H 80
 Glare snoot: incl.

 **down 40 downlight**
 ⌀ LxW 45x45 H 80

 **down 40 wallwasher**
 ⌀ LxW 45x45 H 80

 **down 40 HE wallwasher**
 ⌀ LxW 45x45 H 75

Optional accessories

Plasterkit concrete

KR747602 Plasterkit for concrete installation

Louvre IP44 (only for downlight) ①

KR707311 Louvre IP44, white

KR707312 Louvre IP44, black

Driver

KR752730 LED driver, 700mA, ON/OFF, 1-3W (IP65) ②

KR772631 LED driver, 700mA, phase dim, 2,1-9,8W ②

KR772632 LED driver, 700mA, 0/1-10V, 7-12W ②

KR772633 LED driver, 700mA, DALI, 1,4-8,4W ②

KR752633 LED driver, 700mA, DALI, 1,75-10W ③

KR772142 LED driver, 1050mA, 1-10V, 2,1-38W ③

KR772443 LED driver, 1050mA, DALI, 2,1-60W ③

KR772249 LED driver, 1050mA, Casambi, 10-30W ③

		CRI	CCT	Wattage	Drive current	Fixture lumen
①	LED	CRI90+	2700K/3000K	2W	700mA	121lm
				3,2W	1050mA	143lm
②	LED	CRI90+	2700K/3000K	2W	700mA	138lm
				3,2W	1050mA	172lm
③	LED	CRI90+	2700K/3000K	2W	700mA	47lm
				3,2W	1050mA	71lm
④	LED	CRI90+	2700K/3000K	4W	700mA	291lm

REMARKS

① IP44 connection in plenum required.

② Driver fits through the installation hole. Other types of dimmable drivers should be placed on remote.

③ Should be placed on remote

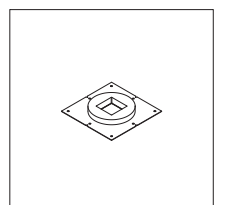
Thickness boardmaterial:

9-18mm

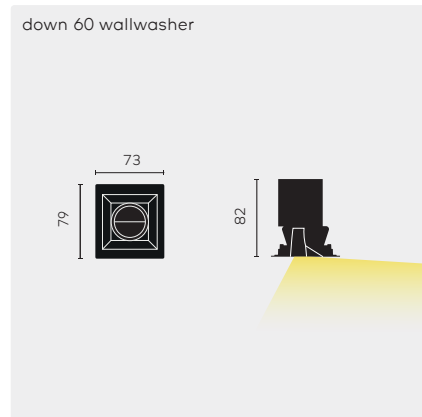
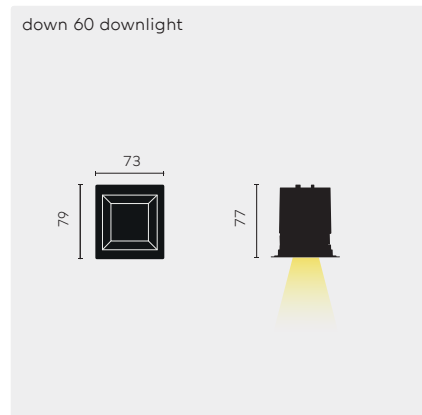
Gear excluded.

⌀ IP40

Plasterkit concrete



kreon down 60



	Colour	KR-code	Light sources	9027 2700K, CRI90+	9030 3000K, CRI90+	9040 4000K, CRI90+	9527 2700K, CRI95+	9530 3000K, CRI95+	9540 4000K, CRI95+	TW tunable white (2700K-5000K), CRI90+	DTW dim-to-warm (1800K-3000K), CRI97+	SSP spot (18°)	SP spot (34°)	FL flood (54°)	WFL wide flood (69°)	Optional accessories
down 60 downlight superspot & spot Ⓞ LxW 68x68 D 87	○	KR947361	①	●	●	●	●	●	●	●	●	●	●			■
	●	KR947362	①	●	●	●	●	●	●	●	●	●	●			■
down 60 downlight flood & wide flood Ⓞ LxW 68x68 D 87	○	KR947371	②	●	●	●	●	●	●	●	●			●	●	■
	●	KR947372	②	●	●	●	●	●	●	●	●	●			●	●
down 60 HE wallwasher Ⓞ LxW 68x68 D 92	○	KR947561	③	●	●	●	●	●	●	●	●					■
	●	KR947562	③	●	●	●	●	●	●	●	●	●				
Optional accessories																
Plasterkit concrete		KR747372		Plasterkit for concrete installation												
Driver 300mA for SSP, SP & wallwasher ①		KR747464		LED driver, 300mA, ON/OFF, 16W												
		KR747562		LED driver, 300mA, 1-10V, 15W												
		KR747666		LED driver, 300mA, DALI, 16W (suitable for dim-to-warm)												
		KR772209		LED driver, 300mA, Casambi, 16W (suitable for dim-to-warm)												
Driver 350mA for FL & WFL ②		KR747064		LED driver, 350mA, ON/OFF, 18W												
		KR747162		LED driver, 350mA, 1-10V, 18W												
Driver 350mA (dim-to-warm)		KR747267		LED driver, 350mA, DALI, 3,5-17W, dim-to-warm												
		KR772219		LED driver, 350mA, Casambi, 18,5W (suitable for dim-to-warm)												
Driver (tunable white)		KR747766		LED driver, tunable white, 300mA, DALI-2 DT8, 2x0,6-16,5W ①												
		KR747866		LED driver, tunable white, 280mA, DALI-2 DT8, 2x1-11,2W ②												

		CRI	CCT	Wattage	Drive current	Fixture lumen
①	LED (SSP)	CRI90+/CRI95+	2700K/3000K/4000K	9,9W	300mA	566lm
	LED (SP)	CRI90+/CRI95+	2700K/3000K/4000K	9,9W	300mA	717lm
		CRI90+	TW 2700K-5000K	2x12W	300mA	835-1053lm
		CRI97+	DTW 1800K-3000K	12,6W	350mA	726lm
②	LED (FL)	CRI90+/CRI95+	2700K/3000K/4000K	12W	350mA	1037lm
		CRI90+	TW 2700K-5000K	2x12W	300mA	907-1153lm
		CRI97+	DTW 1800K-3000K	12,6W	350mA	823lm
	LED (WFL)	CRI90+/CRI95+	2700K/3000K/4000K	12W	350mA	1088lm
	CRI90+	TW 2700K-5000K	2x12W	300mA	926-1225lm	
	CRI97+	DTW 1800K-3000K	12,6W	350mA	891lm	
③	LED (WW)	CRI90+/CRI95+	2700K/3000K/4000K	9,9W	300mA	807lm
		CRI90+	TW 2700K-5000K	2x12W	300mA	837lm - 1111lm
		CRI97+	DTW 1800K-3000K	12,6W	350mA	831lm

REMARKS

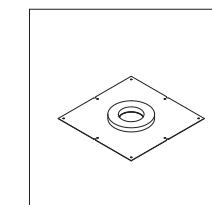
Superspot with tunable white and dim-to-warm cannot be combined.

① Driver does not fit through the installation hole and must be placed on remote.

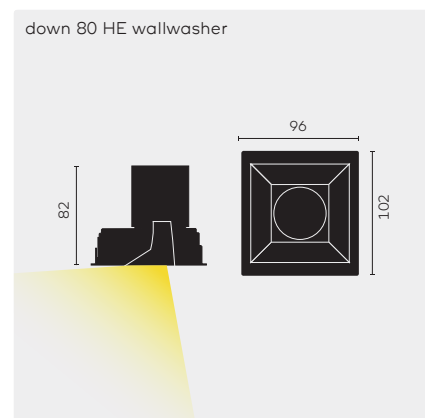
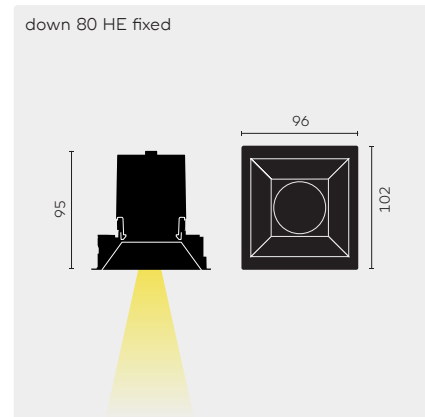
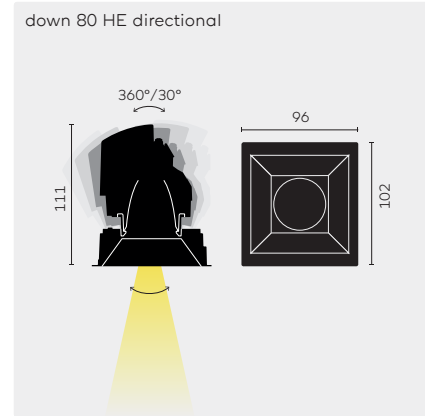
② Driver fits through installation hole, reduced current of 280mA results in 7% less lumen.

Gear excl.
IP20

Plasterkit concrete



kreon down 80 high efficiency



	Colour	KR-code	Light sources	9027 2700K, CRI90+	9030 3000K, CRI95+	9040 4000K, CRI90+	9527 2700K, CRI90+	9530 3000K, CRI95+	9540 4000K, CRI95+	TW Tunable white (2700K-5000K), CRI90+	DTW Dim-to-warm (1800K-3000K), CRI97+	SSP Superspot (18°)	SP Spot (35°)	FL Flood (52°)	WFL Wide flood (69°)	Optional accessories
down 80 HE directional superspot & spot ① Ⓞ LxW 91x91 D 120 Ⓢ	○	KR947021	①	●	●	●	●	●	●	●	●	●	●			■
	●	KR947022	①	●	●	●	●	●	●	●	●	●	●			■
down 80 HE directional flood ② Ⓞ LxW 91x91 D 120 Ⓢ	○	KR947121	②	●	●	●	●	●	●	●	●			●		■
	●	KR947122	②	●	●	●	●	●	●	●	●			●		■
down 80 HE fixed superspot & spot ③ Ⓞ LxW 91x91 D 105 Ⓢ	○	KR947221	③	●	●	●	●	●	●	●	●	●	●			■
	●	KR947222	③	●	●	●	●	●	●	●	●	●	●			■
down 80 HE fixed flood & wide flood ④ Ⓞ LxW 91x91 D 105 Ⓢ	○	KR947321	④	●	●	●	●	●	●	●	●			●	●	■
	●	KR947322	④	●	●	●	●	●	●	●	●			●	●	■
down 80 HE fixed IP44 superspot & spot ② Ⓞ LxW 91x91 D 105 Ⓢ	○	KR947621	③	●	●	●	●	●	●	●	●	●	●			■
	●	KR947622	③	●	●	●	●	●	●	●	●	●	●			■
down 80 HE fixed IP44 flood & wide flood ② Ⓞ LxW 91x91 D 105 Ⓢ	○	KR947611	④	●	●	●	●	●	●	●	●			●	●	■
	●	KR947612	④	●	●	●	●	●	●	●	●			●	●	■
down 80 HE wallwasher ⑤ Ⓞ LxW 91x91 D 92 Ⓢ	○	KR947421	⑤	●	●	●	●	●	●	●	●					■
	●	KR947422	⑤	●	●	●	●	●	●	●	●					■

		CRI	CCT	Wattage	Drive current	Fixture lumen
①	LED (SSP)	CRI90+/ CRI95+	2700K/3000K/4000K	9,9W	300mA	500lm
	LED (SP)	CRI90+/ CRI95+	2700K/3000K/4000K	9,9W	300mA	736lm
		CRI90+/ CRI97+	TW 2700K-5000K DTW 1800K-3000K	2x12W 12,6W	300mA 350mA	820-1055lm 726lm
②	LED (FL/ WFL)	CRI90+/ CRI95+	2700K/3000K/4000K	12W	350mA	995lm
		CRI90+/ CRI97+	TW 2700K-5000K DTW 1800K-3000K	2x12W 12,6W	300mA 350mA	914-1172lm 823lm
③	LED (SSP/ SP)	CRI90+/ CRI95+	2700K/3000K/4000K	9,9W	300mA	TBD
		CRI90+/ CRI97+	2700K/3000K/4000K	9,9W	300mA	
		CRI90+/ CRI97+	TW 2700K-5000K	2x12W	300mA	
		CRI97+	DTW 1800K-3000K	12,6W	350mA	
④	LED (FL/ WFL)	CRI90+/ CRI95+	2700K/3000K/4000K	12W	300mA	TBD
		CRI90+/ CRI97+	2700K/3000K/4000K	12W	300mA	
		CRI90+/ CRI97+	TW 2700K-5000K	2x12W	300mA	
		CRI97+	DTW 1800K-3000K	12,6W	350mA	
⑤	LED (WW)	CRI90+/ CRI95+	2700K/3000K/4000K	9,9W	300mA	807lm
		CRI90+/ CRI97+	TW 2700K-5000K	2x12W	300mA	837lm-1111lm
		CRI90+/ CRI97+	DTW 1800K-3000K	12,6W	350mA	TBD

REMARKS
Superspot with tunable white and dim-to-warm cannot be combined.

Thickness boardmaterial:
9-26mm
Gear excluded
① IP40
② IP44

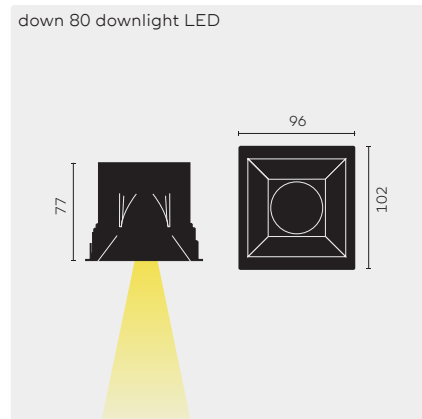
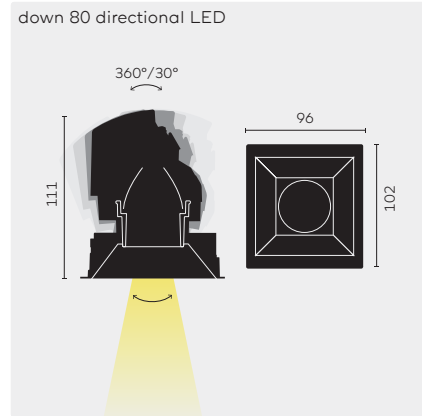
■ **Optional accessories**

Plasterkit concrete	KR747702	Plasterkit for concrete installation
Driver 300mA for SSP, SP & wallwasher ①	KR747464	LED driver, 300mA, ON/OFF, 16W
	KR747562	LED driver, 300mA, 1-10V, 15W
	KR747666	LED driver, 300mA, DALI, 16W (suitable for dim-to-warm)
	KR772209	LED driver, 300mA, Casambi, 16W (suitable for dim-to-warm)
Driver 350mA for FL & WFL ②	KR747064	LED driver, 350mA, ON/OFF, 18W
	KR747162	LED driver, 350mA, 1-10V, 18W
Driver 350mA (dim-to-warm)	KR747267	LED driver, 350mA, DALI, 3,5-17W, dim-to-warm
	KR772219	LED driver, 350mA, Casambi, 18,5W (suitable for dim-to-warm)
Driver (tunable white)	KR747766	LED driver, tunable white, 300mA, DALI-2 DT8, 2x0,6-16,5W
	KR747866	LED driver, tunable white, 280mA, DALI-2 DT8, 2x1-11,2W ①

REMARKS

① Compact driver, reduced current of 280mA results in 7% less lumen

kreon down 80



down 80 directional LED
 Ⓢ LxW 91x91 H 120 Ⓢ
 Filter holder: incl., glare snoot: incl.

down 80 downlight LED
 Ⓢ LxW 91x91 H 100 Ⓢ
 Wide flood reflector (38°): incl.

■ **Optional accessories**

Plasterkit concrete

Lenses (only for directional) ②

Louvre IP44 (only for downlight) ④

Driver 350mA

Driver 700mA

Colour	KR-code	Light sources	9027 2700K, CRI90+	9030 3000K, CRI90+	9040 4000K, CRI90+	9527 2700K, CRI95+ ①	9530 3000K, CRI95+ ①	9540 4000K, CRI95+ ①	SP Spot (18°)	FL Flood (28°)	WFL Wide flood (38°)	Optional accessories
○	KR947931	①				●	●	●	●	●	●	■
●	KR947932	①				●	●	●	●	●	●	■
○	KR947031	②	●	●	●							■
●	KR947032	②	●	●	●							■
	KR747702	Plasterkit for concrete installation										
	KR704100	Sculpture lens ③										
	KR704200	Diffusing lens										
	KR772342	Anti-glare louvre ⑤										
	KR717306	Louvre IP44, white										
	KR717302	Louvre IP44, black										
	KR747064	LED driver, 350mA, ON/OFF, 0,7-19W										
	KR752743	LED driver, 350mA, phase dim, 0,7-17W										
	KR747162	LED driver, 350mA, 1-10V, 6-18W										
	KR747266	LED driver, 350mA, DALI, 3,5-17W										
	KR772219	LED driver, 350mA, Casambi, 3,5-18,5W										
	KR772034	LED driver, 700mA, ON/OFF, 20W										
	KR772232	LED driver, 700mA, 1-10V, 20W										
	KR772236	LED driver, 700mA, DALI, 18W										
	KR772430	LED driver, 700mA, phase dim, 25W										
	KR772931	LED driver, 700mA, phase dim, 14W										
	KR772239	LED driver, 700mA, Casambi, 36W										

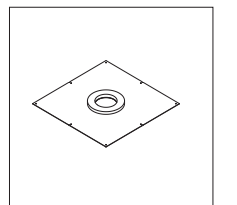
	CRI	CCT	Voltage	Wattage	Drive current	Fixture lumen
① LED	CRI95	2700K/3000K/4000K		11,9W	350mA	665lm
② LED	CRI90+	2700K/3000K/4000K		11,4W	700mA	985lm
	CRI98+	2700K/3000K/4000K		9,2W	500mA	731lm

REMARKS

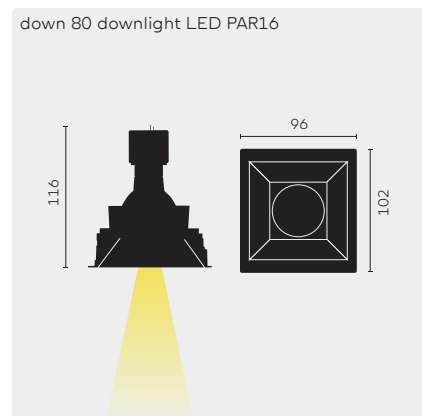
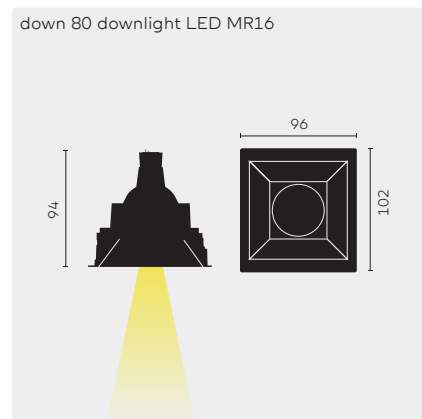
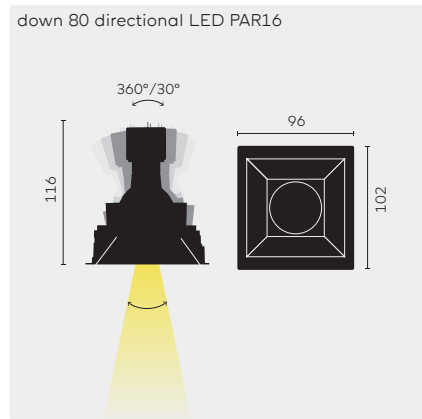
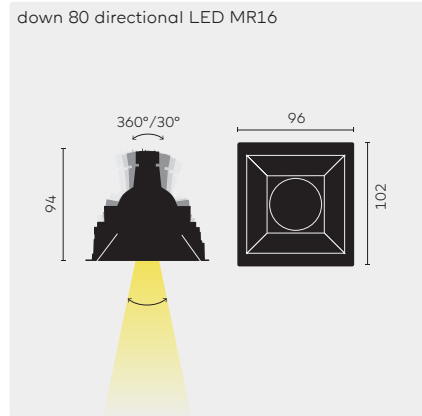
- ① Minimum CRI95+, typical CRI98+
- ② Only one optional lens or louvre possible.
- ③ Use only in combination with spot optic.
- ④ IP44 connection in plenum required.





Thickness boardmaterial:
 9-26mm
 Gear excluded.
 IP40

Plasterkit concrete



kreon down 80

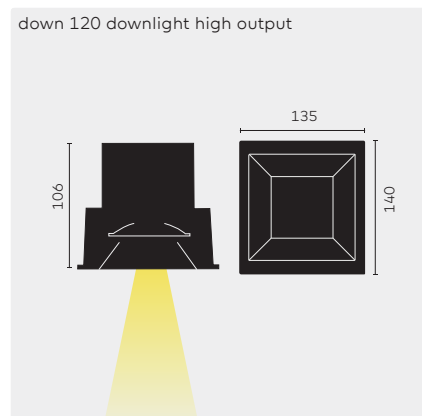
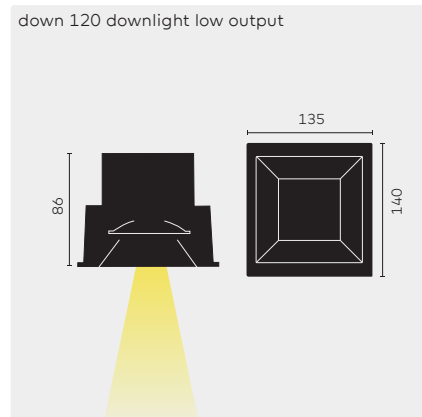
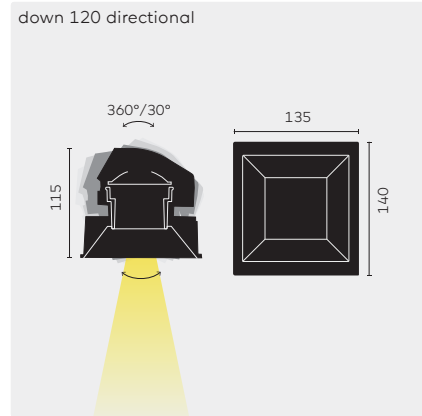


	Colour	KR-code	Light sources	Optional accessories
 down 80 directional LED MR16 ⌀ LxW 91x91 H 110 ⬡ Filter holder: incl., lamp: excl., glare snoot: incl.	○	<u>KR947801</u>	①	■
	●	<u>KR947802</u>	①	■
 down 80 directional LED PAR16 ⌀ LxW 91x91 H 125 ▣ Filter holder: incl., lamp: excl., glare snoot: incl.	○	<u>KR947841</u>	②	■
	●	<u>KR947842</u>	②	■
 down 80 downlight LED MR16 ⌀ LxW 91x91 H 110 ⬡ Lamp: excl.	○	<u>KR947231</u>	①	■
	●	<u>KR947232</u>	①	■
 down 80 downlight LED PAR16 ⌀ LxW 91x91 H 130 ▣ Lamp: excl.	○	<u>KR947251</u>	②	■
	●	<u>KR947252</u>	②	■
■ Optional accessories				
Plasterkit concrete		<u>KR747702</u>		Plasterkit for concrete installation

	Voltage	Wattage
① LED MR16	12V	15W
② LED PAR16	230V	15W

REMARKS
 Thickness boardmaterial:
 9-26mm
 Gear excluded.
 IP40

kreon down 120



down 120 directional
 Ⓞ LxW 128x128 H 140
 Filter holder: incl., glare snoot: incl.

down 120 downlight low output
 Ⓞ LxW 128x128 H 110

down 120 downlight high output
 Ⓞ LxW 128x128 H 130

Optional accessories

Plasterkit concrete

KR747612 Plasterkit for concrete installation

Louvre IP44 (only for downlight) ①

KR707416 Louvre IP44, white

KR707412 Louvre IP44, black

Lenses (only for directional) ②

KR750100 Sculpture lens ③

KR750200 Diffusing lens

KR750800 Softening lens

Driver

KR772034 LED driver, 700mA, ON/OFF, 1,4-20W

KR772232 LED driver, 700mA, 1-10V, 1,4-20W

KR772236 LED driver, 700mA, DALI, 5,5-18W

KR772430 LED driver, 700mA, phase dim, 13-25W

KR772239 LED driver, 700mA, Casambi, 7-36W

KR772140 LED driver, 1050mA, ON/OFF, 19-42W

KR772142 LED driver, 1050mA, 1-10V, 1-39W

KR772143 LED driver, 1050mA, DALI, 16-35W

KR772249 LED driver, 1050mA, Casambi, 10-38W

			CRI	CCT	Wattage	Drive current	Fixture lumen
①	LED	SP	CRI90+	2700K/3000K/4000K	15,6W	700mA	800lm
			CRI98+	2700K/3000K/4000K	15,2W	700mA	573lm
	FL6 WFL	CRI90+	2700K/3000K/4000K	17,1W	700mA	987lm	
		CRI98+	2700K/3000K/4000K	12,9W	700mA	691lm	
②	LED	SP	CRI90+	2700K/3000K/4000K	15,6W	700mA	1004lm
			CRI98+	2700K/3000K/4000K	15,2W	700mA	839lm
	FL6 WFL	CRI90+	2700K/3000K/4000K	17,1W	700mA	1609lm	
		CRI98+	2700K/3000K/4000K	12,9W	700mA	1127lm	
③	LED	CRI90+	2700K/3000K/4000K	25,7W	1050mA	2430lm	
		CRI98+	2700K/3000K/4000K	20W	1050mA	1605lm	

REMARKS

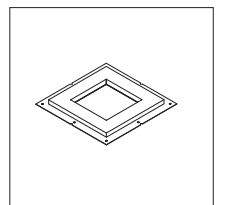
① IP44 connection in plenum required.

② Only one optional lens possible.

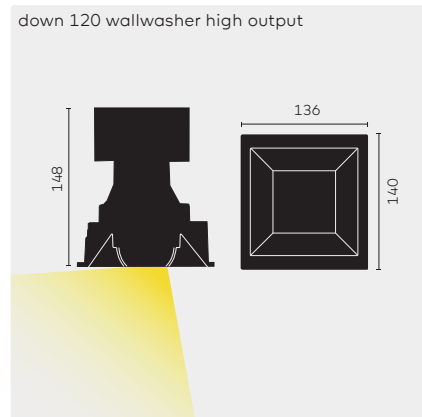
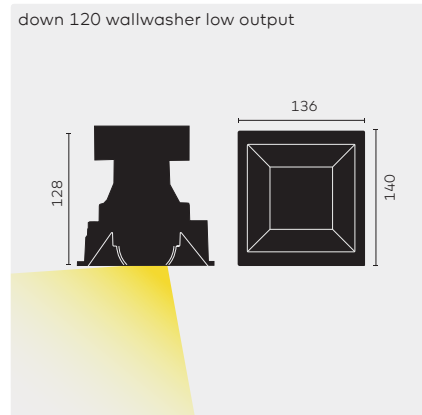
③ Use only in combination with spot optic.

Thickness boardmaterial:
 9-26mm
 Gear excluded
 Ⓞ IP40

Plasterkit concrete



kreon down 120



down 120 wallwasher low output
 Ⓞ LxW 128x128 H 150
 Wallwash reflector: incl.

down 120 wallwasher high output
 Ⓞ LxW 128x128 H 170
 Wallwash reflector: incl.

■ **Optional accessories**

Plasterkit concrete

Driver

Colour
 KR-code
 Light sources
 9027 2700K, CRI90+
 9030 3000K, CRI90+
 9040 4000K, CRI90+
 9827 2700K, CRI98+
 9830 3000K, CRI98+
 9840 4000K, CRI98+
 Optional accessories

○	KR957581	①	●	●	●	●	●	●	●	■
●	KR957582	①	●	●	●	●	●	●	●	■
○	KR957591	②	●	●	●	●	●	●	●	■
●	KR957592	②	●	●	●	●	●	●	●	■

[KR747612](#) Plasterkit for concrete installation

[KR772034](#) LED driver, 700mA, ON/OFF, 20W

[KR772232](#) LED driver, 700mA, 1-10V, 20W

[KR772236](#) LED driver, 700mA, DALI, 18W

[KR772430](#) LED driver, 700mA, phase dim, 25W

[KR772239](#) LED driver, 700mA, Casambi, 36W

[KR772140](#) LED driver, 1050mA, ON/OFF, 19-42W

[KR772142](#) LED driver, 1050mA, 1-10V, 1-39W

[KR772143](#) LED driver, 1050mA, DALI, 16-35W

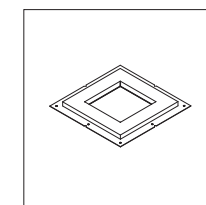
[KR772249](#) LED driver, 1050mA, Casambi, 10-38W

	CRI	CCT	Wattage	Drive current	Fixture lumen
① LED	CRI83+	2700K/3000K/4000K	15,2W	700mA	937lm
	CRI90+	2700K/3000K/4000K	17,1W	700mA	906lm
	CRI98+	2700K/3000K/4000K	12,9W	700mA	633lm
② LED	CRI83+	2700K/3000K/4000K	25,6W	1050mA	1385lm
	CRI90+	2700K/3000K/4000K	25,7W	1050mA	1275lm
	CRI98+	2700K/3000K/4000K	20W	1050mA	840lm

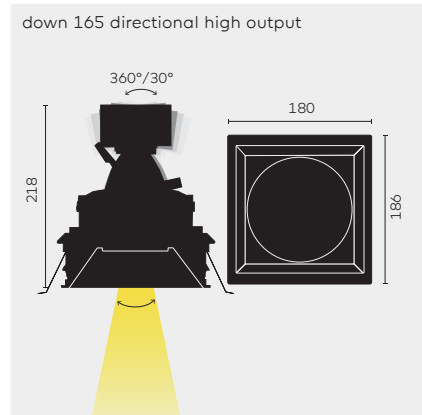
REMARKS

Thickness boardmaterial:
 9-26mm
 Gear excluded
 Ⓞ IP40

Plasterkit concrete



kreon down 165



down 165 directional high output

⊙ LxW 173x173 H 250
Filter holder: incl.

Required accessories

Reflector

KR720032	Reflector LED, spot 13°
KR720034	Reflector LED, flood 23°
KR720036	Reflector LED, wide flood 40°

Optional accessories

Plasterkit concrete

KR747712	Plasterkit for concrete installation
--------------------------	--------------------------------------

Lenses ①

KR720100	Sculpture lens ②
KR720200	Diffusing lens
KR720800	Softening lens

Driver

KR772140	LED driver, 1050mA, ON/OFF, 36W
KR772142	LED driver, 1050mA, 1-10V, 39W
KR772143	LED driver, 1050mA, DALI, 35W
KR772249	LED driver, 1050mA, Casambi, 37W

Colour	KR-code	Light sources	9027 2700K, CRI90+	9030 3000K, CRI90+	9040 4000K, CRI90+	9827 2700K, CRI98+	9830 3000K, CRI98+	9840 4000K, CRI98+	Required accessories	Optional accessories
○	KR947341	②	●	●	●	●	●	●	■	■
●	KR947342	②	●	●	●	●	●	●	■	■

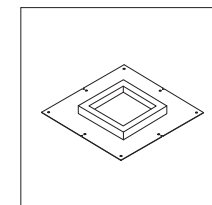
	CRI	CCT	Wattage	Drive current	Fixture lumen
① LED	CRI90+	2700K/3000K/4000K	25,7W	1050mA	1874lm
	CRI98+	2700K/3000K/4000K	20W	1050mA	1249lm

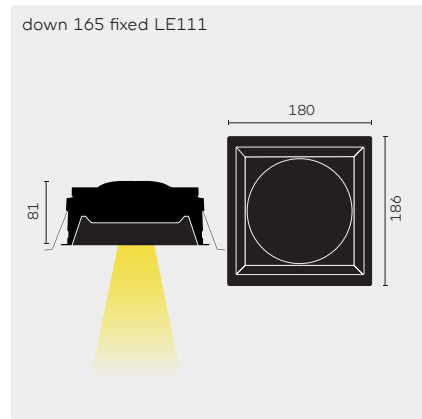
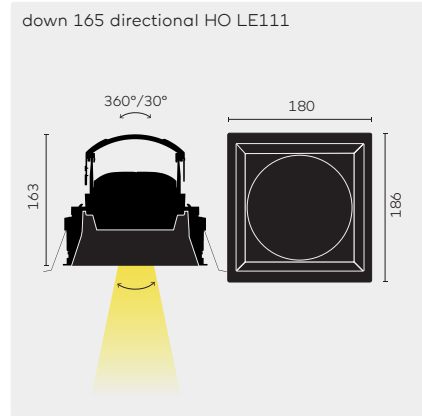
REMARKS

- ① Only one optional lens possible.
- ② Use only in combination with spot optic.

Thickness boardmaterial:
9-26mm
Gear excluded.
⊕ IP40

Plasterkit concrete





down 165 directional high LE111
 ⌀ LxW 173x173 H 173
 glare snoot: incl.

down 165 fixed high output LE111
 ⌀ LxW 173x173 H 95

■ **Required accessories**

Light engine ①

Colour	KR-code	Required accessories	Optional accessories
○	KR947351	■	■
●	KR947352	■	■
○	KR947451	■	■
●	KR947452	■	■

■ **Optional accessories**

Driver

KR772530	LED driver, 700mA, ON/OFF, 28W
KR772140	LED driver, 1050mA, ON/OFF, 19-42W
KR772233	LED driver, 700mA, DALI, 8,4-27W
KR772643	LED driver, 1050mA, DALI, 40W

REMARKS

① Other CRI, CCT and beam angles available on request

Thickness boardmaterial:
 9-26mm
 Gear excluded.
 ⌀ IP40

kreon down in-line

kreon down in-line is a range of square recessed ceiling downlights with a trimless finish, that is available in different apertures and is suitable for a wide range of applications. A plasterkit is mandatory to ensure a trimless finish.

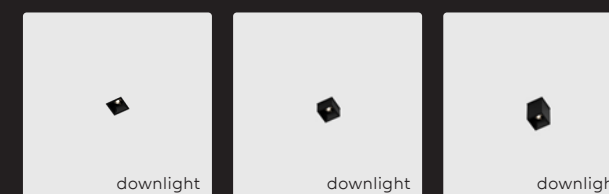
kreon down in-line directional is a fully recessed spotlight with a built-in snoot that serves two purposes. Firstly it absorbs stray flux, so aiding beam control, and secondly it provides an integrated mounting ring for the fixation of additional optical lenses for increased optimisation. kreon down in-line directional has a rotational adjustment of 360° and an angular adjustment of 30°, which when combined with the choice of spot, flood and wide flood TIR (total internal reflection) reflector, becomes an extremely versatile accent lighting tool.

kreon down in-line fixed is the perfect solution for general lighting and features a flood beam mirror reflector set above the black or white internal louvre, optimised to create pools of light on horizontal surfaces or dramatic scalloping effects on verticals.

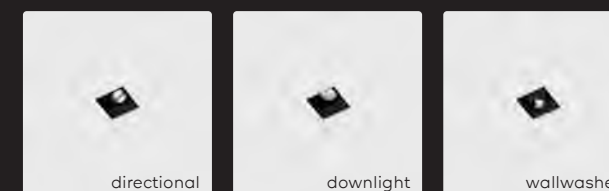
kreon down in-line wallwasher provides near perfect uniformity on vertical surfaces. This is made possible by the unique optical design that is capable of reflecting light to the very top of adjacent walls through a full 180° beam angle, whilst still maintaining an effective downlight component.

[↑ back to overview page recessed downlights](#)

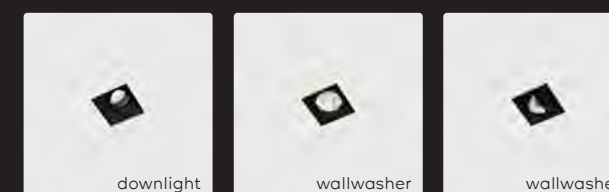
down in-line 20
96



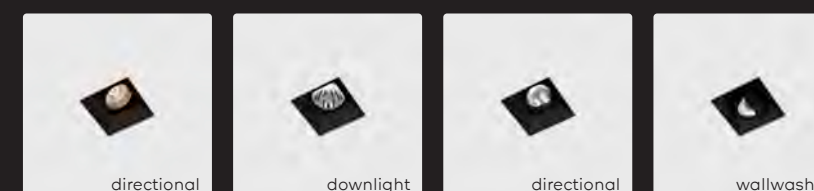
down in-line 40
98



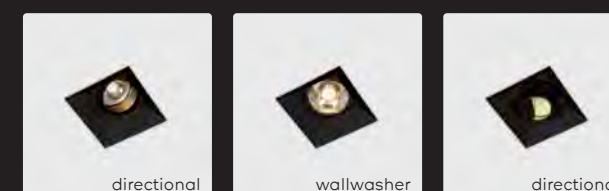
down in-line 60
102



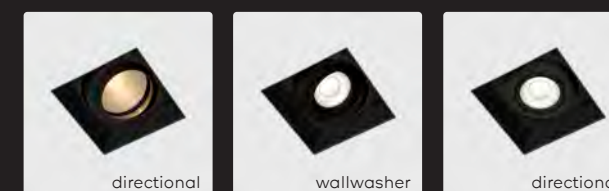
down in-line 80
104



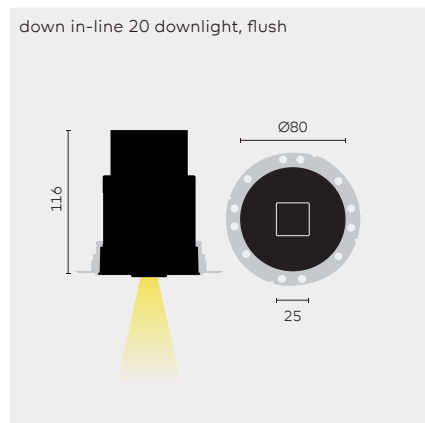
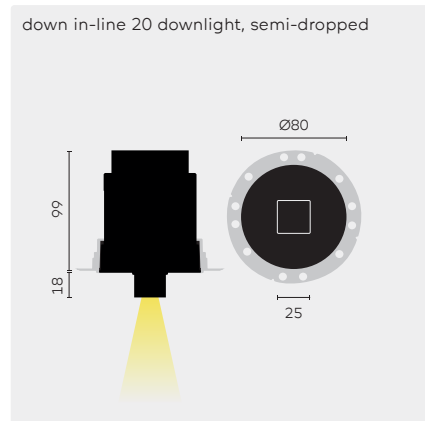
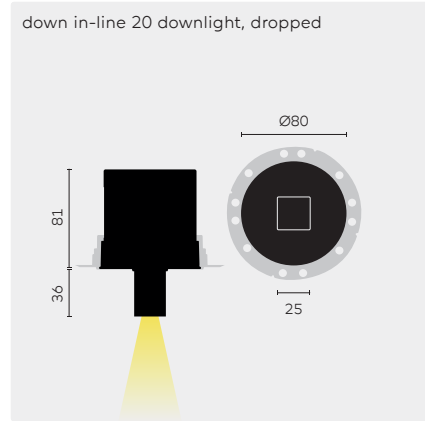
down in-line 120
120



down in-line 165
126



kreon down in-line 20



down in-line 20 downlight

⊕ Ø 102 H 136

Required accessories

Chassis	KR739120	Chassis down in-line 20
Plasterkit	KR717104	Plasterkit, no shadowgap
	KR717108	Plasterkit, front mounting, shadowgap, trimless finishing ⊕ Ø102
	KR717000	Plasterkit, back mounting, no shadowgap
Concrete plasterkit	KR717101	Plasterkit for concrete installation, no shadowgap, 430x430mm
	KR717109	Plasterkit for concrete installation, shadowgap, 200x200mm
Installation kit	KR717100	Installation kit, back mounting

Optional accessories

Blind cover	KR709320	Blind cover
Driver	KR7.....	TBD
	KR7.....	TBD
	KR7.....	TBD
	KR7.....	TBD

Colour	KR-code	Light sources	9027 2700K, CRI90+	9030 3000K, CRI90+	SP Spot (20°)	DL Dark light (36°)	WDL Wide dark light (60°)	Required accessories	Optional accessories
○	KR939221	①	●	●	●	●	●	■	■
●	KR939222	①	●	●	●	●	●	■	■

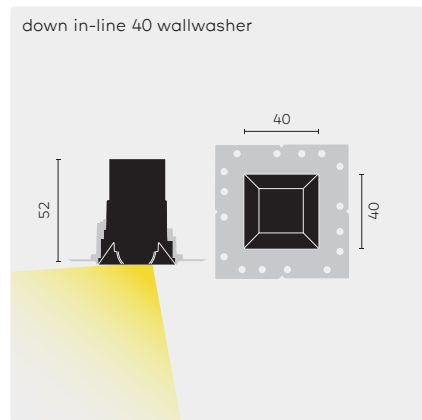
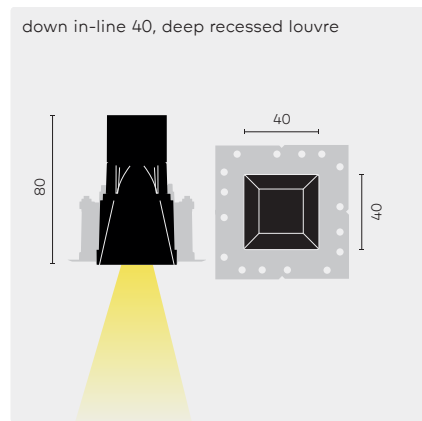
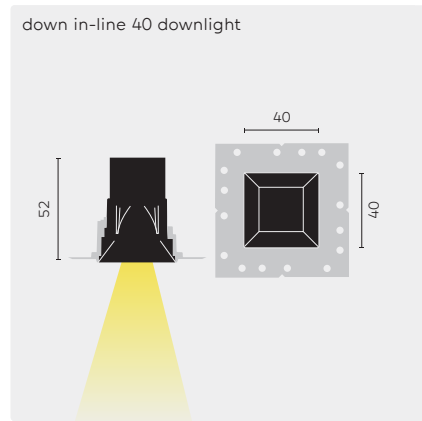
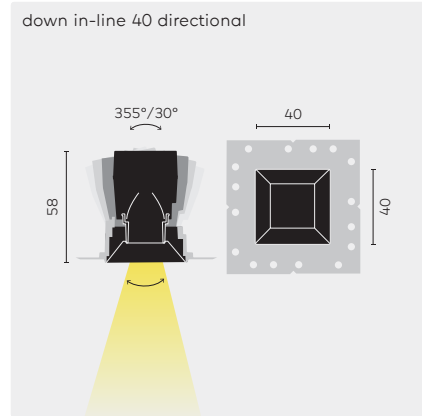
	CRI	CCT	Wattage	Drive current	Fixture lumen
① LED (SP)	CRI90+	2700K/3000K	4W	1400mA	TBD
LED (DL/WDL)	CRI90+	2700K/3000K	12,4W	1050mA	TBD

REMARKS

Thickness boardmaterial:
9-26mm

Gear excluded.
⊕ IP40

kreon down in-line 40



down in-line 40 directional
 ⌀ LxW 63x63 H 80
 Glare snoot: incl.

down in-line 40 downlight
 ⌀ LxW 63x63 H 80

down in-line 40 wallwasher
 ⌀ LxW 63x63 H 80

down in-line 40 HE wallwasher
 ⌀ LxW 63x63 H 80

		CRI	CCT	Wattage	Drive current	Fixture lumen
①	LED	CRI90+	2700K/3000K	2W	700mA	121lm
				3,2W	1050mA	143lm
②	LED	CRI90+	2700K/3000K	2W	700mA	138lm
				3,2W	1050mA	172lm
③	LED	CRI90+	2700K/3000K	2W	700mA	47lm
				3,2W	1050mA	71lm
④	LED	CRI90+	2700K/3000K	4W	700mA	291lm

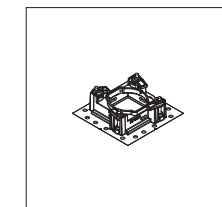
Colour	KR-code	Light sources	9027 2700K, CRI95+	9030 3000K, CRI95+	SP Spot (10°)	FL Flood (24°)	WFL Wide flood (46°)	OV Oval (42° + 12°)	Required accessories ①	Optional accessories ①
	KR907733	①	●	●	●	●	●		■	■
	KR907033	②	●	●	●	●	●	●	■	■
○	KR907331	③	●	●					■	■
●	KR907332	③	●	●					■	■
○	KR907341	③	●	●					■	■
●	KR907342	③	●	●					■	■

REMARKS

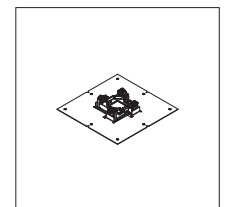
① Find accessories on page 100-101.

Thickness boardmaterial:
 9-14mm
 Gear excluded.
 ⌀ IP40

Plasterkit



Plasterkit concrete



■ Required accessories

Plasterkit	KR707114	Plasterkit, front mounting, no shadowgap
Plasterkit concrete	KR707111	Plasterkit for concrete installation
Louvre	KR707116	Louvre, white
	KR707112	Louvre, black
	KR707115	Louvre, gun black
	KR707113	Louvre, red satin copper
Louvre IP44 (only for downlight) ❶	KR707311	Louvre IP44, white
	KR707312	Louvre IP44, black
Deep recessed installation (only for downlight) ❷	KR707714	Plasterkit, front mounting, deep recessed, no shadowgap
	KR707711	Plasterkit for concrete installation, deep recessed, no shadowgap
	KR707716	Deep recessed louvre, white
	KR707712	Deep recessed louvre, black

■ Optional accessories

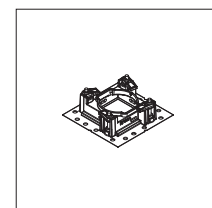
Driver	KR752730	LED driver, 700mA, ON/OFF, 1-3W (IP65) ❸
	KR772631	LED driver, 700mA, phase dim, 2,1-9,8W ❸
	KR772632	LED driver, 700mA, 0/1-10V, 7-12W ❸
	KR772633	LED driver, 700mA, DALI, 1,4-8,4W ❸
	KR752633	LED driver, 700mA, DALI, 1,75-10W ❹
	KR772142	LED driver, 1050mA, 1-10V, 2,1-38W ❹
	KR772443	LED driver, 1050mA, DALI, 2,1-60W ❹
	KR772249	LED driver, 1050mA, Casambi, 10-30W ❹
Distance ring (for plasterkit concrete)	KR707317	Distance ring 2mm (set of 5 pcs.)
	KR707318	Distance ring 3mm (set of 5 pcs.)
	KR707319	Distance ring 5mm (set of 5 pcs.)

REMARKS

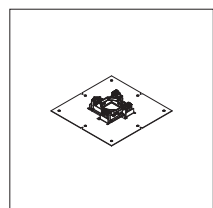
- ❶ IP44 connection in plenum required.
- ❷ It's recommended to use a downlight with spot or flood beam.
- ❸ Driver fits through the installation hole. Other types of dimmable drivers should be placed on remote.
- ❹ Should be placed on remote.

Thickness boardmaterial:
9-14mm

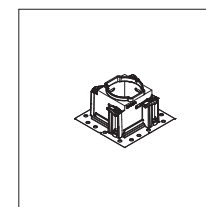
Plasterkit



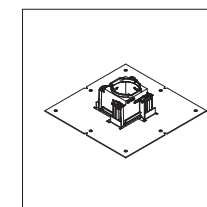
Plasterkit concrete



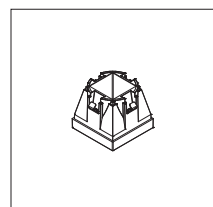
Plasterkit deep recessed



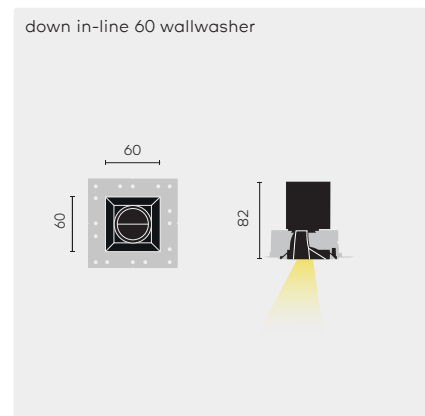
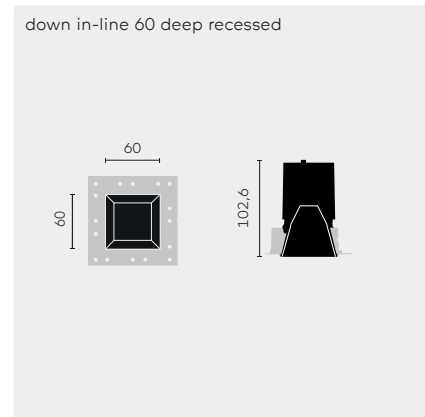
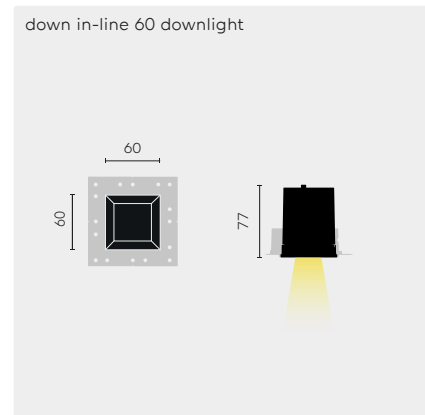
Plasterkit concrete deep recessed



Deep recessed louvre



kreon down in-line 60



Icon	Product Name	Code	Light sources	Required accessories	Optional accessories
	down in-line 60 downlight superspot & spot ⊙ LxW 60x60 D 87 Gear: excl.	KR907363	① ● 9027 2700K, CRI90+ ● 9030 3000K, CRI90+ ● 9040 4000K, CRI90+ ● 9527 2700K, CRI95+ ● 9530 3000K, CRI95+ ● 9540 4000K, CRI95+ ● TW tunable white (2700K-5000K), CRI90+ ● DTW dim-to-warm (1800K-3000K), CRI97+	● SSP super spot (18°) ● SP spot (34°)	■ Required accessories ■ Optional accessories
	down in-line 60 downlight flood & wide flood ⊙ LxW 60x60 D 87 Gear: excl.	KR907763	② ● 9027 2700K, CRI90+ ● 9030 3000K, CRI90+ ● 9040 4000K, CRI90+ ● 9527 2700K, CRI95+ ● 9530 3000K, CRI95+ ● 9540 4000K, CRI95+ ● TW tunable white (2700K-5000K), CRI90+ ● DTW dim-to-warm (1800K-3000K), CRI97+	● FL flood (54°) ● WFL wide flood (69°)	■ Required accessories ■ Optional accessories
	down in-line 60 HE wallwasher ⊙ LxW 60x60 D 92 Gear: excl.	KR907561	③ ● 9027 2700K, CRI90+ ● 9030 3000K, CRI90+ ● 9040 4000K, CRI90+ ● 9527 2700K, CRI95+ ● 9530 3000K, CRI95+ ● 9540 4000K, CRI95+ ● TW tunable white (2700K-5000K), CRI90+ ● DTW dim-to-warm (1800K-3000K), CRI97+	■ Required accessories ■ Optional accessories	■ Optional accessories
		KR907562	③ ● 9027 2700K, CRI90+ ● 9030 3000K, CRI90+ ● 9040 4000K, CRI90+ ● 9527 2700K, CRI95+ ● 9530 3000K, CRI95+ ● 9540 4000K, CRI95+ ● TW tunable white (2700K-5000K), CRI90+ ● DTW dim-to-warm (1800K-3000K), CRI97+	■ Required accessories ■ Optional accessories	■ Optional accessories

Required accessories

Plasterkit	KR707184	Plasterkit, front mounting, no shadowgap ①
Plasterkit concrete	KR707062	Plasterkit for concrete installation, no shadowgap ①
Louvre for downlight	KR707286	Louvre, white
	KR707282	Louvre, black
Louvre for wallwasher	KR707486	Louvre, white
	KR707482	Louvre, black
Deep recessed installation (only for downlight)	KR707386	Deep recessed louvre, white
	KR707382	Deep recessed louvre, black

Optional accessories

Driver 300mA for SSP, SP & wallwasher ①	KR747464	LED driver, 300mA, ON/OFF, 16W
	KR747562	LED driver, 300mA, 1-10V, 15W
	KR747666	LED driver, 300mA, DALI, 16W (suitable for dim-to-warm)
	KR772209	LED driver, 300mA, Casambi, 16W (suitable for dim-to-warm)
Driver 350mA for FL & WFL ②	KR747064	LED driver, 350mA, ON/OFF, 18W
	KR747162	LED driver, 350mA, 1-10V, 18W
Driver 350mA (dim-to-warm)	KR747267	LED driver, 350mA, DALI, 3,5-17W, dim-to-warm
	KR772219	LED driver, 350mA, Casambi, 18,5W (suitable for dim-to-warm)
Driver (tunable white)	KR747766	LED driver, tunable white, 300mA, DALI-2 DT8, 2x0,6-16,5W ①
	KR747866	LED driver, tunable white, 280mA, DALI-2 DT8, 2x1-11,2W ②

		CRI	CCT	Wattage	Drive current	Fixture lumen
①	LED (SSP)	CRI90+/CRI95+	2700K/3000K/4000K	9,9W	300mA	566lm
	LED (SP)	CRI90+/CRI95+	2700K/3000K/4000K	9,9W	300mA	717lm
		CRI90+	TW 2700K-5000K	2x12W	300mA	835-1053lm
		CRI97+	DTW 1800K-3000K	12,6W	350mA	726lm
②	LED (FL)	CRI90+/CRI95+	2700K/3000K/4000K	12W	350mA	1037lm
		CRI90+	TW 2700K-5000K	2x12W	300mA	907-1153lm
		CRI97+	DTW 1800K-3000K	12,6W	350mA	823lm
	LED (WFL)	CRI90+/CRI95+	2700K/3000K/4000K	12W	350mA	1088lm
		CRI90+	TW 2700K-5000K	2x12W	300mA	926-1225lm
		CRI97+	DTW 1800K-3000K	12,6W	350mA	891lm
③	LED (WW)	CRI90+/CRI95+	2700K/3000K/4000K	9,9W	300mA	807lm
		CRI90+	TW 2700K-5000K	2x12W	300mA	837lm - 1111lm
		CRI97+	DTW 1800K-3000K	12,6W	350mA	831lm

REMARKS

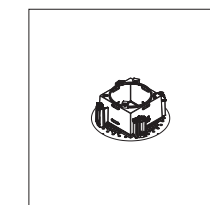
Superspot with tunable white and dim-to-warm cannot be combined.

① plasterkit is suitable for louvre and deep recessed louvre.

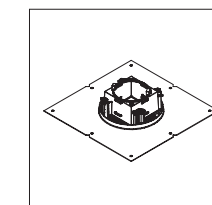
② plenum height needs to be 150mm to push driver through plasterkit.

Thickness boardmaterial:
9-26mm
Gear excluded
⊙ IP20

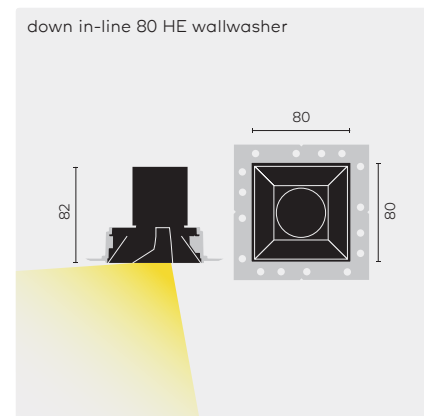
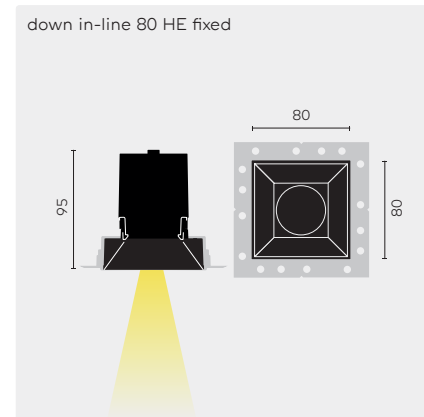
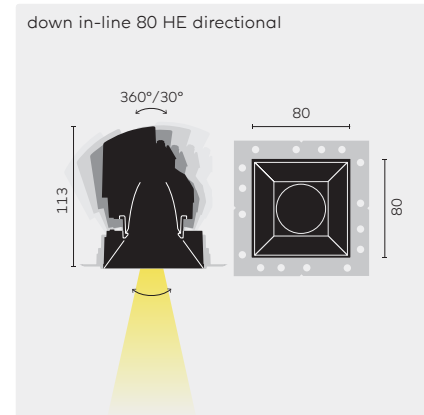
Plasterkit



Plasterkit concrete



kreon down in-line 80 high efficiency

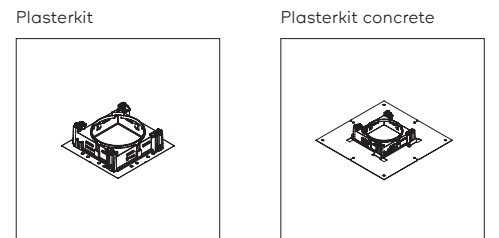


	Colour	KR-code	Light sources	9027 2700K, CRI90+	9030 3000K, CRI95+	9040 4000K, CRI90+	9527 2700K, CRI90+	9530 3000K, CRI95+	9540 4000K, CRI95+	TW Tunable white (2700K-5000K), CRI90+	DTW Dim-to-warm (1800K-3000K), CRI97+	SSP Superspot (18°)	SP Spot (35°)	FL Flood (52°)	WFL Wide flood (69°)	Required accessories	Optional accessories
down in-line 80 HE directional superspot & spot ① ⊙ LxW 102x102 D 120		<u>KR917023</u>	①	●	●	●	●	●	●	●	●	●	●			■	■
down in-line 80 HE directional flood ① ⊙ LxW 102x102 D 120		<u>KR917123</u>	②	●	●	●	●	●	●	●	●			●		■	■
down in-line 80 HE fixed superspot & spot ① ⊙ LxW 102x102 D 105		<u>KR917123</u>	③	●	●	●	●	●	●	●	●			●		■	■
down in-line 80 HE fixed flood & wide flood ① ⊙ LxW 102x102 D 105		<u>KR917223</u>	④	●	●	●	●	●	●	●	●	●	●			■	■
down in-line 80 HE fixed IP44 superspot & spot ② ⊙ LxW 102x102 D 105		<u>KR917323</u>	③	●	●	●	●	●	●	●	●			●	●	■	■
down in-line 80 HE fixed IP44 flood & wide flood ② ⊙ LxW 102x102 D 105		<u>KR917723</u>	④	●	●	●	●	●	●	●	●	●	●			■	■
down in-line 80 HE wallwasher ① ⊙ LxW 102 D 92	○	<u>KR917421</u>	⑤	●	●	●	●	●	●	●	●					■	■
	●	<u>KR917422</u>	⑤	●	●	●	●	●	●	●	●					■	■

		CRI	CCT	Wattage	Drive current	Fixture lumen
①	LED (SSP)	CRI90+/ CRI95+	2700K/3000K/4000K	9,9W	300mA	500lm
	LED (SP)	CRI90+/ CRI95+ CRI90+ CRI97+	2700K/3000K/4000K TW 2700K-5000K DTW 1800K-3000K	9,9W 2x12W 12,6W	300mA 300mA 350mA	736lm 820-1055lm 726lm
②	LED (FL/ WFL)	CRI90+/ CRI95+ CRI90+ CRI97+	2700K/3000K/4000K TW 2700K-5000K DTW 1800K-3000K	12W 2x12W 12,6W	350mA 300mA 350mA	995lm 914-1172lm 823lm
	LED (SSP/ SP)	CRI90+/ CRI95+ CRI90+ CRI97+	2700K/3000K/4000K 2700K/3000K/4000K TW 2700K-5000K DTW 1800K-3000K	9,9W 9,9W 2x12W 12,6W	300mA 300mA 300mA 350mA	TBD
④	LED (FL/ WFL)	CRI90+/ CRI95+ CRI90+ CRI97+	2700K/3000K/4000K 2700K/3000K/4000K TW 2700K-5000K DTW 1800K-3000K	12W 12W 2x12W 12,6W	300mA 300mA 300mA 350mA	TBD
	LED (WW)	CRI90+/ CRI95+ CRI90+ CRI97+	2700K/3000K/4000K TW 2700K-5000K DTW 1800K-3000K	9,9W 2x12W 12,6W	300mA 300mA 350mA	807lm 837lm-1111lm TBD

REMARKS
Superspot with tunable white and dim-to-warm cannot be combined.

Thickness boardmaterial:
9-26mm
Gear excluded
① IP40
② IP44



kreon down in-line 80 high efficiency

■ Required accessories

Plasterkit	KR717114	Plasterkit, front mounting, no shadowgap
	KR717118	Plasterkit, front mounting, shadowgap
Plasterkit concrete	KR717111	Plasterkit for concrete installation, no shadowgap (430x430)
	KR717412	Plasterkit for concrete installation, no shadowgap, small (200x200)
	KR717119	Plasterkit for concrete installation, shadowgap (430x430)
	KR717417	Plasterkit for concrete installation, shadowgap, small (200x200)
Louvre	KR717116	Louvre, white
	KR717112	Louvre, black
	KR717115	Louvre, gun black
	KR717113	Louvre, red satin copper

■ Optional accessories

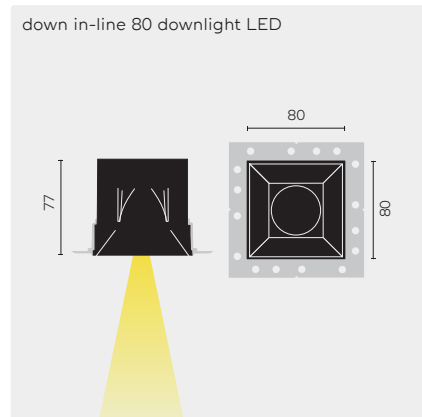
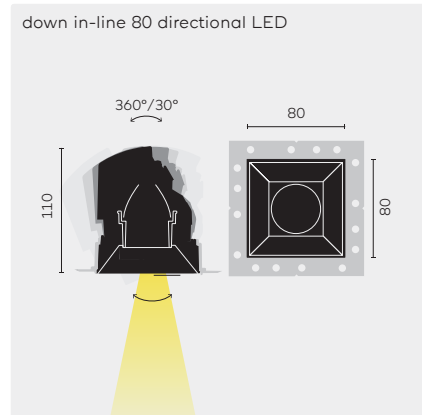
Driver 300mA for SSP, SP & wallwasher ①	KR747464	LED driver, 300mA, ON/OFF, 16W
	KR747562	LED driver, 300mA, 1-10V, 15W
	KR747666	LED driver, 300mA, DALI, 16W (suitable for dim-to-warm)
	KR772209	LED driver, 300mA, Casambi, 16W (suitable for dim-to-warm)
Driver 350mA for FL & WFL ②	KR747064	LED driver, 350mA, ON/OFF, 18W
	KR747162	LED driver, 350mA, 1-10V, 18W
Driver 350mA (dim-to-warm)	KR747267	LED driver, 350mA, DALI, 3,5-17W, dim-to-warm
	KR772219	LED driver, 350mA, Casambi, 18,5W (suitable for dim-to-warm)
Driver (tunable white)	KR747766	LED driver, tunable white, 300mA, DALI-2 DT8, 2x0,6-16,5W
	KR747866	LED driver, tunable white, 280mA, DALI-2 DT8, 2x1-11,2W ①
Distance ring (for plasterkit concrete)	KR717317	Distance ring 2mm (set of 5 pcs.)
	KR717318	Distance ring 3mm (set of 5 pcs.)
	KR717319	Distance ring 5mm (set of 5 pcs.)

REMARKS

See page 610 for more information about different installation kits.

① Driver fits through installation hole, reduced current of 280mA results in 7% less lumen.

kreon down in-line 80



	KR-code	Light sources	SP	FL	WFL	Optional accessories
down in-line 80 directional LED Ⓢ LxW 102x102 H 120 Ⓢ Filter holder: incl., glare snoot: incl.	KR917933	9027 2700K, CRI90+ 9030 3000K, CRI90+ 9040 4000K, CRI90+ 9527 2700K, CRI95+ ① 9530 3000K, CRI95+ ① 9540 4000K, CRI95+ ①	●	●	●	■
down in-line 80 downlight LED Ⓢ LxW 102x102 H 100 Ⓢ Wide flood reflector (38°): incl.	KR917033		●	●	●	■
■ Required accessories						
Plasterkit	KR717114	Plasterkit, front mounting, no shadowgap				
	KR717118	Plasterkit, front mounting, shadowgap				
Plasterkit concrete	KR717111	Plasterkit for concrete installation, no shadowgap (430x430)				
	KR717412	Plasterkit for concrete installation, no shadowgap, small (200x200)				
	KR717119	Plasterkit for concrete installation, shadowgap (430x430)				
	KR717417	Plasterkit for concrete installation, shadowgap, small (200x200)				
Louvres	KR717116	Louvre, white				
	KR717112	Louvre, black				
	KR717115	Louvre, gun black				
	KR717113	Louvre, red satin copper				
Louvre IP44 (only for downlight) ②	KR717316	Louvre IP44, white				
	KR717312	Louvre IP44, black				

	CRI	CCT	Voltage	Wattage	Drive current	Fixture lumen
① LED	CRI95+	2700K/3000K/4000K		11,9W	350mA	665lm
② LED	CRI90+	2700K/3000K/4000K		11,4W	700mA	985lm
	CRI98+	2700K/3000K/4000K		9,2W	500mA	731lm

REMARKS
 ① Minimum CRI95+, typical CRI98+
 ② IP44 connection in plenum required.

See page 610 for more information about different installation kits.

Thickness boardmaterial: 9-26mm
 Gear excluded.
 IP40

■ **Optional accessories**

Lenses (only for directional) ❶

KR704100 Sculpture lens ❷

KR704200 Diffusing lens

KR772342 Anti-glare louvre ❷

Driver 350mA

KR747064 LED driver, 350mA, ON/OFF, 0,7-19W

KR747162 LED driver, 350mA, 1-10V, 6-18W

KR747266 LED driver, 350mA, DALI, 3,5-17W

KR772219 LED driver, 350mA, Casambi, 3,5-18,5W

Driver 700mA

KR772034 LED driver, 700mA, ON/OFF, 20W,

KR772232 LED driver, 700mA, 1-10V, 20W

KR772236 LED driver, 700mA, DALI, 18W

KR772430 LED driver, 700mA, phase dim, 25W

KR772931 LED driver, 700mA, phase dim, 14W

KR772239 LED driver, 700mA, Casambi, 36W

Distance ring (for plasterkit concrete)

KR717317 Distance ring 2mm (set of 5 pcs.)

KR717318 Distance ring 3mm (set of 5 pcs.)

KR717319 Distance ring 5mm (set of 5 pcs.)

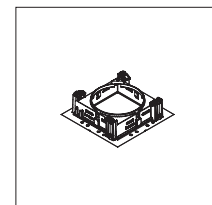
REMARKS

- ❶ Only one optional lens or louvre possible.
- ❷ It's recommended to use a spot or flood beam.

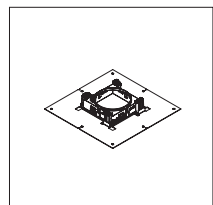
See page 610 for more information about different installation kits.

Thickness boardmaterial:
9-26mm

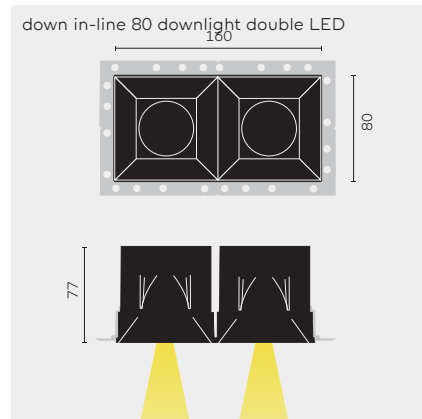
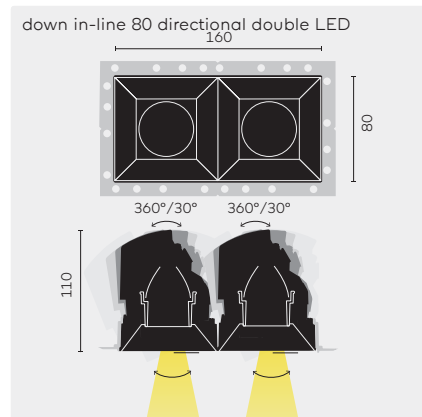
Plasterkit



Plasterkit concrete



kreon down in-line 80



down in-line 80 directional double LED
 Ⓞ LxW 176x102 H 120 Ⓞ
 Filter holder: incl., glare snoot: incl.

down in-line 80 downlight double LED
 Ⓞ LxW 176x102 H 100 Ⓞ
 Wide flood reflector 45°: incl.

KR-code **KR917933** x 2 ①

KR-code **KR917033** x 2 ②

Light sources

9027 2700K, CRI90+
9030 3000K, CRI90+
9040 4000K, CRI90+
9527 2700K, CRI95+ ①
9530 3000K, CRI95+ ①
9540 4000K, CRI95+ ①

SP Spot (18°)
FL Flood (28°)
WFL Wide flood (38°)

Required accessories
 Optional accessories



		CRI	CCT	Wattage	Drive current	Fixture lumen
①	LED	CRI95+	2700K/3000K/4000K	2x 11,9W	350mA	2x 665lm
②	LED	CRI90+	2700K/3000K/4000K	2x 11,4W	700mA	2x 985lm
		CRI98+	2700K/3000K/4000K	2x 9,2W	500mA	2x 731lm

REMARKS

① Minimum CRI95+, typical CRI98+

Thickness boardmaterial:
 9-26mm
 Gear excluded.
 IP40

■ Required accessories

Double plasterkit	KR727114	Double plasterkit, front mounting, no shadowgap
Louvres	KR717116 x 2	Louvre, white
	KR717112 x 2	Louvre, black
	KR717115 x 2	Louvre, gun black
	KR717113 x 2	Louvre, red satin copper
Louvre IP44 (only for downlight) ❶	KR717316 x 2	Louvre IP44, white
	KR717312 x 2	Louvre IP44, black

■ Optional accessories

Lenses (only for directional) ❷	KR704100 x 2	Sculpture lens ❸
	KR704200 x 2	Diffusing lens
	KR772342 x 2	Anti-glare louvre ❸
Driver 350mA	KR747064	LED driver, 350mA, ON/OFF, 0,7-19W
	KR747162	LED driver, 350mA, 1-10V, 6-18W
	KR747266	LED driver, 350mA, DALI, 3,5-17W
	KR772219	LED driver, 350mA, Casambi, 3,5-18,5W
Driver 700mA	KR772034	LED driver, 700mA, ON/OFF, 20W,
	KR772232	LED driver, 700mA, 1-10V, 20W
	KR772236	LED driver, 700mA, DALI, 18W
	KR772430	LED driver, 700mA, phase dim, 25W
	KR772931	LED driver, 700mA, phase dim, 14W
	KR772239	LED driver, 700mA, Casambi, 36W

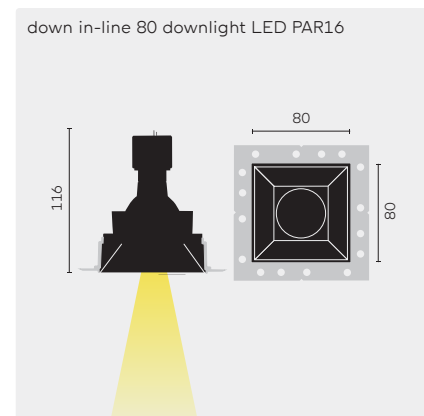
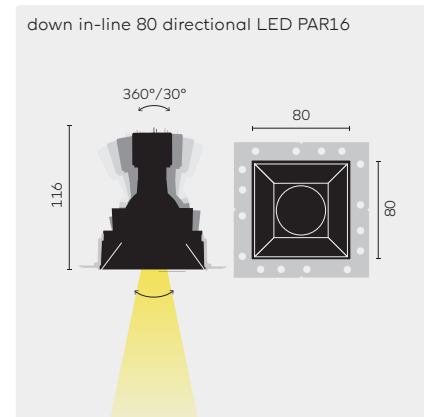
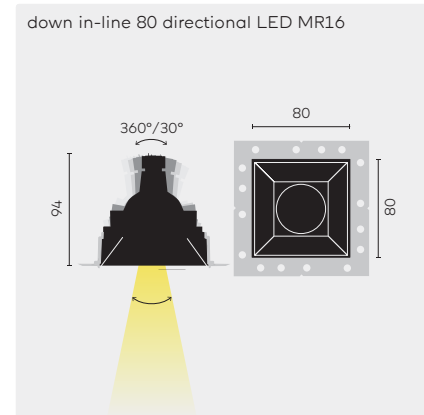
REMARKS

- ❶ IP44 connection in plenum required.
- ❷ only one optional lens or louvre possible
- ❸ use only in combination with spot optic

See page 610 for more information about different installation kits.

Thickness boardmaterial:
9-26mm

kreon down in-line 80



	KR-code	Light sources	Required accessories	Optional accessories
down in-line 80 directional LED MR16 ⊙ LxW 102x102 H 110 ⬢ Filter holder: incl., lamp: excl., glare snoot: incl.	KR917803	①	■ ■	
down in-line 80 directional LED PAR16 ⊙ LxW 102x202 H 125 ▢ Filter holder: incl., lamp: excl., glare snoot: incl.	KR917843	②	■ ■	
down in-line 80 downlight LED MR16 ⊙ LxW 102x102 H 110 ⬢ Lamp: excl.	KR917233	①	■ ■	
down in-line 80 downlight LED PAR16 ⊙ LxW 102x102 H 125 ▢ Lamp: excl.	KR917253	②	■ ■	

■ Required accessories

Plasterkit	KR717114	Plasterkit, front mounting, no shadowgap
	KR717118	Plasterkit, front mounting, shadowgap
Plasterkit concrete	KR717111	Plasterkit for concrete installation, no shadowgap (430x430)
	KR717412	Plasterkit for concrete installation, no shadowgap, small (200x200)
	KR717119	Plasterkit for concrete installation, shadowgap (430x430)
	KR717417	Plasterkit for concrete installation, shadowgap, small (200x200)
Louvres	KR717116	Louvre, white
	KR717112	Louvre, black
	KR717115	Louvre, gun black
	KR717113	Louvre, red satin copper

■ Optional accessories

Lenses	KR704100	Sculpture lens
	KR704200	Diffusing lens
	KR772342	Anti-glare louvre

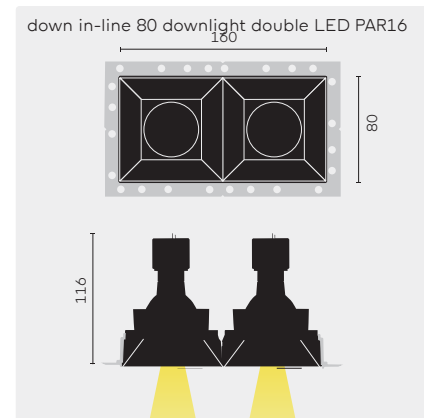
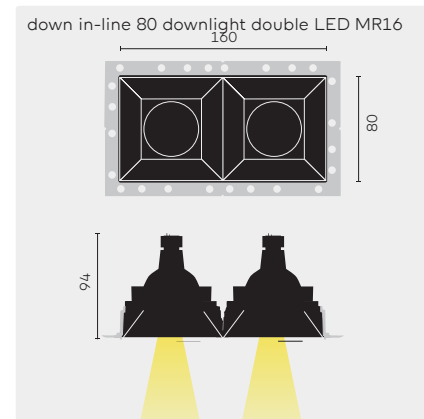
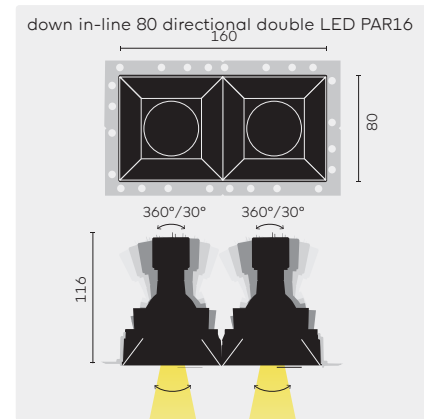
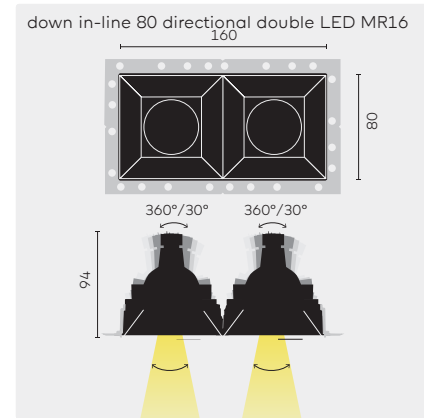
	Voltage	Wattage
① LED MR16	12V	15W
② LED PAR16	230V	15W

REMARKS

See page 610 for more information about different installation kits.

Thickness boardmaterial:
9-26mm
Gear excluded.
IP40

kreon down in-line 80



down in-line 80 directional double LED MR16
 Ⓞ LxW 176x102 H 110 Ⓞ
 Filter holder: incl., lamp: excl.

down in-line 80 directional double LED PAR16
 Ⓞ LxW 176x102 H 125 Ⓞ
 Filter holder: incl., lamp: excl.

down in-line 80 downlight double LED MR16
 Ⓞ LxW 176x102 H 110 Ⓞ
 Lamp: excl.

down in-line 80 downlight double LED PAR16
 Ⓞ LxW 176x102 H 125 Ⓞ
 Lamp: excl.

Required accessories

Double plasterkit

KR727114

Double plasterkit, front mounting, no shadowgap

Louvre

KR717116 x 2

Louvre, white

KR717112 x 2

Louvre, black

KR717115 x 2

Louvre, gun black

KR717113 x 2

Louvre, red satin copper

Louvre IP44 (only for downlight) ①

KR717316 x 2

Louvre IP44, white

KR717312 x 2

Louvre IP44, black

Optional accessories

Lenses ②

KR704100 x 2

Sculpture lens ③

KR704200 x 2

Diffusing lens

KR772342 x 2

Anti-glare louvre ③

Drivers 350mA

KR747064 x 2

LED driver, 350mA, ON/OFF, 0,7-19W

KR752743 x 2

LED driver, 350mA, phase dim, 0,7-17W

KR747162 x 2

LED driver, 350mA, 1-10V, 6-18W

KR747266 x 2

LED driver, 350mA, DALI, 3,5-17W

KR772219 x 2

LED driver, 350mA, Casambi, 3,5-18,5W

	Voltage	Wattage
① LED MR16	12V	2x 15W
② LED PAR16	230V	2x 15W

REMARKS

① IP44 connection in plenum required

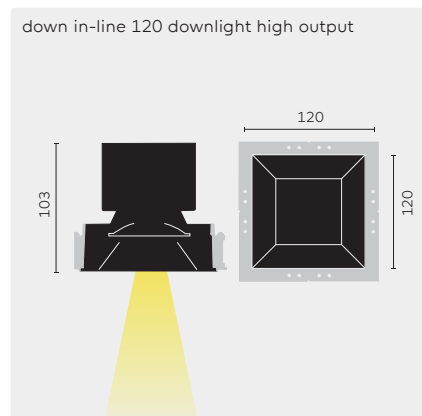
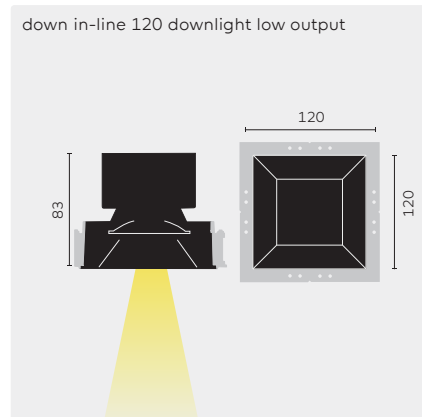
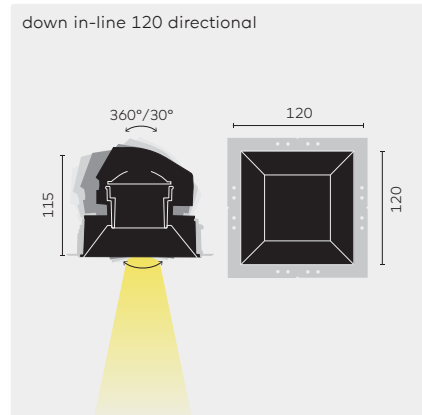
② Only one optional lens or louvre possible.




③ Use only in combination with spot optic.

See page 610 for more information about different installation kits.

Thickness boardmaterial:
 9-26mm
 IP40

kreon down in-line 120



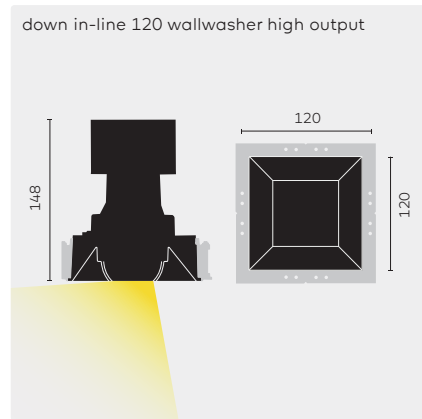
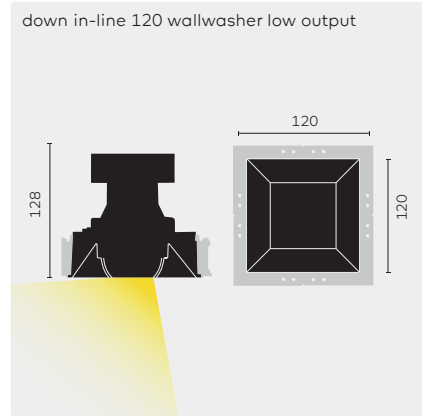
	KR-code	Light sources	9027 2700K, CRI90+	9030 3000K, CRI90+	9040 4000K, CRI90+	9827 2700K, CRI98+	9830 3000K, CRI98+	9840 4000K, CRI98+	SP Spot (12°)	FL Flood (28°)	WFL Wide flood (34°)	Required accessories ①	Optional accessories ②
 down in-line 120 directional ⊗ LxW 144x144 H 140 Filter holder: incl., glare snoot: incl.	<u>KR907933</u>	①	●	●	●	●	●	●	●	●	●	■	■
 down in-line 120 downlight low output ⊗ LxW 144x144 H 110	<u>KR907233</u>	②	●	●	●	●	●	●	●	●	●	■	■
 down in-line 120 downlight high output ⊗ LxW 144x144 H 130	<u>KR907243</u>	③	●	●	●	●	●	●	●	●	●	■	■

	LED	SP	FL&WFL	CRI	CCT	Wattage	Drive current	Fixture lumen
①	LED	SP	FL&WFL	CRI90+	2700K/3000K/4000K	15,6W	700mA	800lm
				CRI98+	2700K/3000K/4000K	15,2W	700mA	573lm
	LED	SP	FL&WFL	CRI90+	2700K/3000K/4000K	17,1W	700mA	987lm
				CRI98+	2700K/3000K/4000K	12,9W	700mA	691lm
②	LED	SP	FL&WFL	CRI90+	2700K/3000K/4000K	15,6W	700mA	1004lm
				CRI98+	2700K/3000K/4000K	15,2W	700mA	839lm
	LED	SP	FL&WFL	CRI90+	2700K/3000K/4000K	17,1W	700mA	1609lm
				CRI98+	2700K/3000K/4000K	12,9W	700mA	1127lm
③	LED	SP	FL&WFL	CRI90+	2700K/3000K/4000K	25,7W	1050mA	2430lm
				CRI98+	2700K/3000K/4000K	20W	1050mA	1605lm

REMARKS
① Find accessories on page 124-125.

Thickness boardmaterial:
9-26mm
Gear excluded.
⊗ IP40

kreon down in-line 120



down in-line 120 wallwasher low output
 Ⓞ LxW 144x144 H 150
 Wallwash reflector: incl.

down in-line 120 wallwasher high output
 Ⓞ LxW 144x144 H 170
 Wallwash reflector: incl.

Colour	KR-code	Light sources	9027 2700K, CRI90+	9030 3000K, CRI90+	9040 4000K, CRI90+	9827 2700K, CRI98+	9830 3000K, CRI98+	9840 4000K, CRI98+	Required accessories ①	Optional accessories ②
○	KR907531	①	●	●	●	●	●	●	■	■
●	KR907532	①	●	●	●	●	●	●	■	■
○	KR907541	②	●	●	●	●	●	●	■	■
●	KR907542	②	●	●	●	●	●	●	■	■

	CRI	CCT	Wattage	Drive current	Fixture lumen
① LED	CRI83+	2700K/3000K/4000K	15,2W	700mA	937lm
	CRI90+	2700K/3000K/4000K	17,1W	700mA	906lm
	CRI98+	2700K/3000K/4000K	12,9W	700mA	633lm
② LED	CRI83+	2700K/3000K/4000K	25,6W	1050mA	1385lm
	CRI90+	2700K/3000K/4000K	25,7W	1050mA	1275lm
	CRI98+	2700K/3000K/4000K	20W	1050mA	840lm

REMARKS
 ① Find accessories on page 124-125.

Thickness boardmaterial:
 9-26mm
 Gear excluded.
 Ⓞ IP40

■ Required accessories

Plasterkit	KR707214	Plasterkit, front mounting, no shadowgap
	KR707218	Plasterkit, front mounting, shadowgap
Plasterkit concrete	KR707219	Plasterkit for concrete installation, no shadowgap
	KR707211	Plasterkit for concrete installation, shadowgap
Louvre	KR707216	Louvre, white
	KR707212	Louvre, black
Louvre IP44 (only for downlight) ❶	KR707416	Louvre IP44, white
	KR707412	Louvre IP44, black

■ Optional accessories

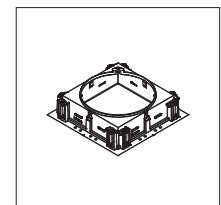
Lenses (only for directional) ❷	KR750100	Sculpture lens ❸
	KR750200	Diffusing lens
	KR750800	Softening lens
Driver	KR772034	LED driver, 700mA, ON/OFF, 1,4-20W
	KR772232	LED driver, 700mA, 1-10V, 1,4-20W
	KR772236	LED driver, 700mA, DALI, 5,5-18W
	KR772239	LED driver, 700mA, phase dim, 13-25W
	KR772430	LED driver, 700mA, Casambi, 7-36W
	KR772140	LED driver, 1050mA, ON/OFF, 19-42W
	KR772142	LED driver, 1050mA, 1-10V, 1-39W
	KR772143	LED driver, 1050mA, DALI, 16-35W
Distance ring (for plasterkit concrete)	KR707417	Distance ring 2mm (set of 5 pcs.)
	KR707418	Distance ring 3mm (set of 5 pcs.)
	KR707419	Distance ring 5mm (set of 5 pcs.)

REMARKS

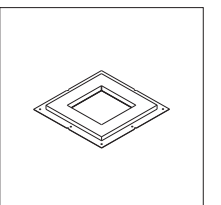
- ❶ IP44 connection in plenum required.
- ❷ Only one optional lens or louvre possible.
- ❸ Use only in combination with spot optic.

Thickness boardmaterial:
9-26mm
Gear excluded.
⊕ IP40

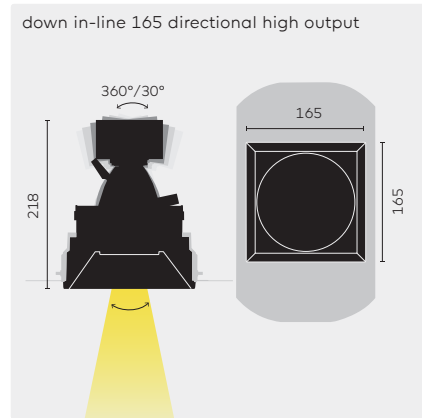
Plasterkit



Plasterkit concrete



kreon down in-line 165



down in-line 165 directional high output
 Ⓞ LxW 186x186 H 250
 Filter holder: incl., glare snoot: incl.

KR-code

KR917343

Light sources

9027 2700K, CRI90+
9030 3000K, CRI90+
9040 4000K, CRI90+
9827 2700K, CRI98+
9830 3000K, CRI98+
9840 4000K, CRI98+

Required accessories

Optional accessories

Required accessories

Plasterkit

KR717214 Plasterkit, front mounting, no shadowgap

KR717218 Plasterkit, front mounting, shadowgap

Plasterkit concrete

KR717219 Plasterkit for concrete installation, no shadowgap

KR717211 Plasterkit for concrete installation, shadowgap

Louvre

KR717216 Louvre, white

KR717212 Louvre, black

Reflector

KR720032 Reflector LED, spot 13°

KR720034 Reflector LED, flood 23°

KR720036 Reflector LED, wide flood 40°

Optional accessories

Lenses ^①

KR720100 Sculpture lens ^②

KR720200 Diffusing lens

KR720800 Softening lens

Driver

KR772140 LED driver, 1050mA, ON/OFF, 36W

KR772142 LED driver, 1050mA, 1-10V, 39W

KR772143 LED driver, 1050mA, DALI, 35W

KR772249 LED driver, 1050mA, Casambi, 37W

	CRI	CCT	Wattage	Drive current	Fixture lumen
① LED	CRI90+	2700K/3000K/4000K	25,7W	1050mA	1874lm
	CRI98+	2700K/3000K/4000K	20W	1050mA	1249lm

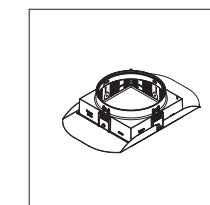
REMARKS

① Only one optional lens or louvre possible.

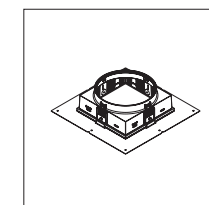
② Use only in combination with spot optic.

Thickness boardmaterial:
 9-26mm
 Gear excluded.
 Ⓞ IP40

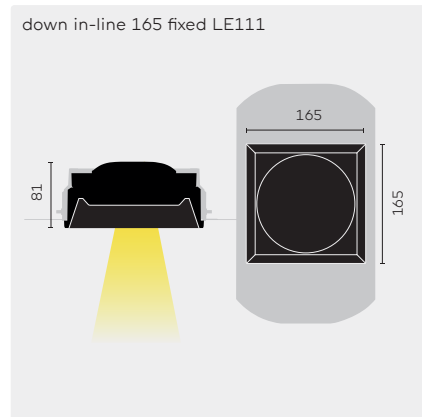
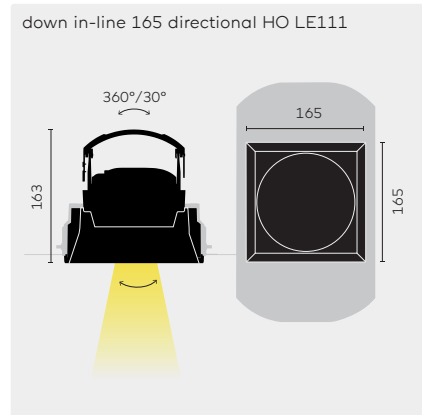
Plasterkit



Plasterkit concrete



kreon down in-line 165



down in-line 165 directional HO LE111 ①
 Ⓞ LxW 186x186 H 175
 glare snoot: incl.

down in-line 165 fixed LE111 ①
 Ⓞ LxW 186x186 H 95

■ Required accessories

Light engine ②

Plasterkit

Plasterkit concrete

■ Optional accessories

Driver

Colour
 KR-code
 No shadowgap
 SH Shadowgap
 Required accessories
 Optional accessories

Colour	KR-code	No shadowgap	SH Shadowgap	Required accessories	Optional accessories
○	KR917551	●	●	■	■
●	KR917552	●	●	■	■
○	KR917651	●	●	■	■
●	KR917652	●	●	■	■

KR732100-9030-SP	Light engine 111, 3000K, CRI90+, 15°, 25,7W, 700mA (2350lm)
KR732100-9030-FL	Light engine 111, 3000K, CRI90+, 24°, 36,9W, 1050mA (3450lm)
KR732100-9030-WFL	Light engine 111, 3000K, CRI90+, 60°, 36,8W, 1050mA (3150lm)

KR717214	Plasterkit, front mounting, no shadowgap
KR717218	Plasterkit, front mounting, shadowgap

KR717219	Plasterkit for concrete installation, no shadowgap
KR717211	Plasterkit for concrete installation, shadowgap

KR772530	LED driver, 700mA, ON/OFF, 28W
KR772140	LED driver, 1050mA, ON/OFF, 19-42W
KR772233	LED driver, 700mA, DALI, 8,4-27W
KR772643	LED driver, 1050mA, DALI, 40W

REMARKS

- ① Louvre + plasterkit included
- ② Other CRI, CCT and beam angles available on request

Thickness boardmaterial:
 9-26mm
 Gear excluded.
 Ⓞ IP40

Downlighting holds a key position in the world of kreon. Lighting from the ceiling allows you to achieve dramatic effects and aligns with the natural placement of light sources on the ceiling.

With the kreon inti family we have actually tried to provide a new solution in terms of both lighting concept and design. Inspired by the technique of diffusing light as used by glass artist in the 1950's, the introverted dome within kreon inti is divided into smaller facets. The dome is mounted in a deep louvre, which creates a light distribution spanning 180 degrees and ensures a pleasing cut-off angle for downlighting. The directional variant of kreon inti adds a small, directional light point. This enhances the versatility of the luminaire, providing expanded lighting possibilities.

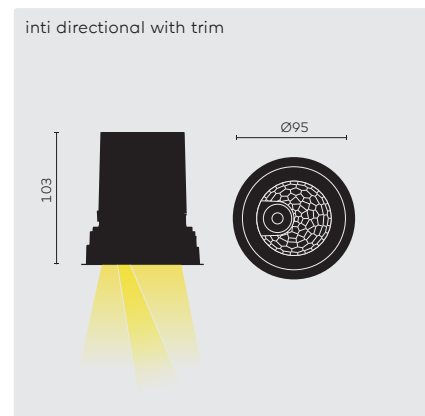
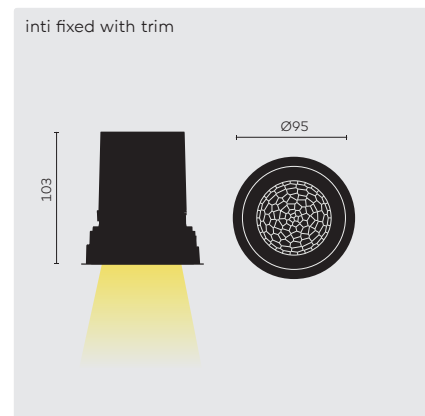
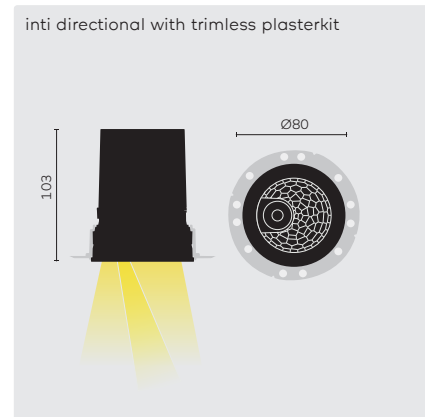
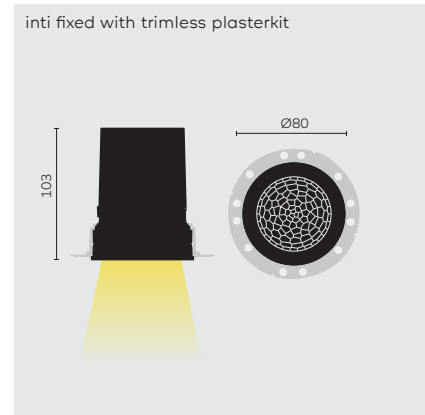
[↑ back to overview page recessed downlights](#)

inti 80 fixed
132



inti 80 directional
132





	Colour	KR-code	Light sources	9027 2700K, CRI90+	9030 3000K, CRI90+	SP spot (20°)	DL dark light (33°)	WDL wide dark light (56°)	D1 dome, glassy	D3 dome, matt	Required accessories	Optional accessories
inti 80 fixed Gear: excl., IP44	○	KR997111	①	●	●				●	●	■	■
	●	KR997112	①	●	●				●	●	■	■
inti 80 fixed dim-to-warm (3000K to 1800K) Gear: excl., IP44	○	KR997611	②						●	●	■	■
	●	KR997612	②						●	●	■	■
inti 80 directional Gear: excl., IP40	○	KR997121	③	●	●	●	●	●	●	●	■	■
	●	KR997122	③	●	●	●	●	●	●	●	■	■
inti 80 directional dim-to-warm (3000K to 1800K) Gear: excl., IP40	○	KR997621	④	●	●	●	●	●	●	●	■	■
	●	KR997622	④	●	●	●	●	●	●	●	■	■

■ Required accessories

Plasterkit	KR717104	Plasterkit, front mounting, no shadowgap, trimless finishing Ø 102 D 110
	KR717108	Plasterkit, front mounting, shadowgap, trimless finishing Ø 102 D 110
	KR717000	Plasterkit, back mounting, no shadowgap
Installation kit	○ KR717021	Installation kit with trim, white Ø 90 D 110
	● KR717022	Installation kit with trim, black Ø 90 D 110
Plasterkit concrete	KR717101	Plasterkit for concrete installation, no shadowgap (430x430)
	KR717102	Plasterkit for concrete installation, no shadowgap, small (200x200)
	KR717109	Plasterkit for concrete installation, shadowgap (430x430)
	KR717107	Plasterkit for concrete installation, shadowgap, small (200x200)
Installation kit for wooden ceiling	KR717100	Installation kit, no shadowgap

■ Optional accessories

Driver	KR747064	LED driver, 350mA, 19W, ON/OFF ②
	KR739102	LED driver, 350mA, 15W, 0/1-10V
	KR747266	LED driver, 350mA, 15W, DALI ②
	KR747163	LED driver, 350mA, 18W, 0-10V/1-10V, dim-to-warm ②
	KR747267	LED driver, 350mA, 17W, DALI, dim-to-warm
	KR747966	LED dual driver, 2x 350mA, 20W, DALI ③
	KR772219	LED driver, 350mA, 18,5W, Casambi
Distance ring (for plasterkit concrete)	KR717307	Distance ring 2mm (set of 5 pcs.)
	KR717308	Distance ring 3mm (set of 5 pcs.)
	KR717309	Distance ring 5mm (set of 5 pcs.)
Removal tool	KR797001	Removal tool for kreon inti fixed ①

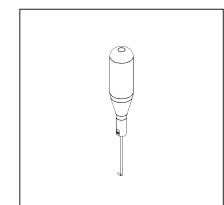
	CRI	CCT	Wattage	Drive current	Fixture lumen
① LED dome	CRI90+	2700K/3000K	12W	350mA	576lm
LED dir. 33° / 56°			4W		250lm
20°			1W		100lm
② LED dome	CRI90+	2700K/3000K	12,6W	350mA	400lm
LED dir. 33° / 56°			4W		250lm
20°			1W		100lm

REMARKS

- ① Tool is for use with kreon inti 80 fixed. To be used in maintenance. One per project is recommended.
- ② The dome and directional spot need to be driven separately.
- ③ Driver suitable for directional spot and dome combined.

See page 610 for more information about different installation kits.
Thickness boardmaterial: 9-26mm
Gear excluded
IP40 (fixed) - IP44 (directional)

Removal tool



kreon oran

In 2018 kreon launched its first ornamental line with kreon oran craft. For the design of kreon oran craft our designers chose to switch gears. Without losing sight of the basic principles of 'unity in design, simplicity in techniques, and precision in detail'.

kreon oran pendant craft is a range of pendant luminaires with moth-blown glass bulbs. The bulbs come in 2 sizes: a sphere bulb and a long bulb.

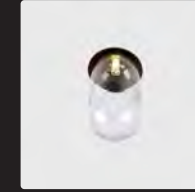
kreon oran craft consists of pendant, ceiling/wall luminaires and a table light. The luminaires are available in black and white, or in pure materials such as bronze. The mouth-blown bulbs come in two shapes, spherical or long-shaped. The pendant is optionally covered by a lampshade.

[↑ back to overview page recessed downlights](#)

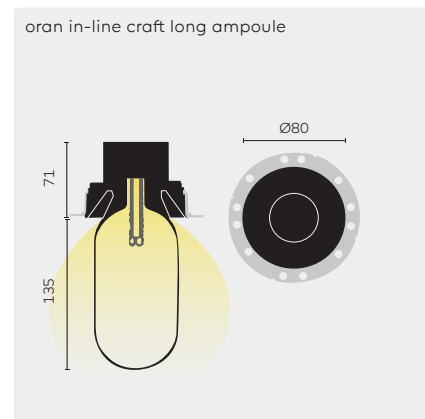
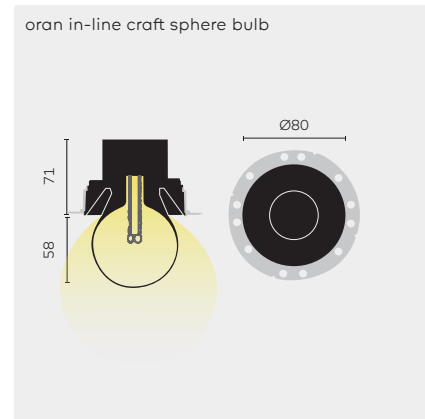
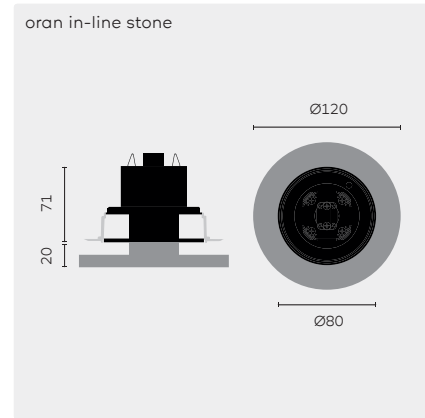
oran in-line stone
136



oran in-line craft
136



kreon oran in-line craft - stone



	KR-code	Light sources	9027 2700K, CRI90+	9030 3000K, CRI90+	Required accessories	Optional accessories
oran in-line stone ① Ø 102	KR991101	①	● ●	■ ■		
oran in-line craft sphere bulb Ø 77	KR991102	②	● ●	■ ■		
oran in-line craft long ampoule Ø 77	KR991105	②	● ●	■ ■		

■ Required accessories

Plasterkit	KR717104	Plasterkit, front mounting, no shadowgap
	KR717108	Plasterkit, front mounting, shadowgap
	KR717000	Plasterkit, back mounting, no shadowgap
Plasterkit concrete	KR717102	Plasterkit for concrete installation, no shadowgap, small (200x200)
	KR717107	Plasterkit for concrete installation, shadowgap, small (200x200)
Installation kit	KR717100	Installation kit, back mounting
Louvre (only for KR991102 & KR991105)	KR717106	Louvre, white
	KR717122	Louvre, black
	KR717124	Louvre, brushed bronze
	KR717127	Louvre, brushed nickel
	KR717128	Louvre, brushed gold
	KR717129	Louvre, gun black

■ Optional accessories

Driver	KR772024	LED driver, 700mA, ON/OFF, 20W
	KR772232	LED driver, 700mA, 1-10V, 20W
	KR772236	LED driver, 700mA, DALI, 18W
	KR772433	LED driver, 700mA, phase dim, 10W
Distance ring (for plasterkit concrete)	KR717307	Distance ring 2mm (set of 5 pcs.)
	KR717308	Distance ring 3mm (set of 5 pcs.)
	KR717309	Distance ring 5mm (set of 5 pcs.)

	CRI	CCT	Wattage	Drive current	Fixture lumen ②
① LED	CRI90+	2700K/3000K	6,7W	700mA	68lm
② LED	CRI90+	2700K/3000K	6,7W	700mA	282lm

REMARKS

① Protect the alabaster block against direct sunlight and temperatures above 50°C.
② Lumen output may vary due to the use of natural products.

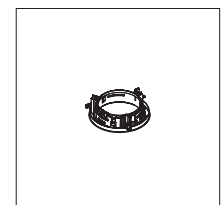
The stated dimensions of the glass and alabaster are only to be used as a reference. Actual dimensions may vary. Each unit is unique due to the artisanal production technique.

See page 610 for more information about different installation kits.

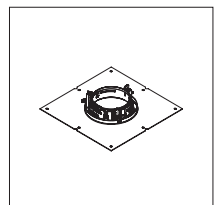
Thickness boardmaterial: 9-26mm

Gear excluded.
◆ IP40

Plasterkit



Plasterkit concrete



kreon up

kreon up represents a collection of recessed floor luminaires with an IP67 rating, known for their simplistic design and outstanding optical performance. Available in square and circular shapes, the range offers three different sizes.

These luminaires feature a black or white backed toughened glass finish, accentuated by a satin stainless steel trim. LED modules are deep-set within the luminaires and are controlled using various options: anti-glare louvres for precise uplighting, brightness limiting diffusers for ambient or orientation lighting, and wallwash optics for vertical luminance. Additionally, the kreon up 40 variant is available as a surface mounted fixed downlight.

One of the notable advantages of kreon up is its stainless steel trim, which seamlessly integrates with the surroundings, creating a seamless connection. The units are fully sealed to meet the IP67 standard, offering robust protection against harsh environmental conditions. They are constructed with a combination of aluminum and plastic housing to ensure durability. Moreover, the maritime versions undergo special pre-treatment to maximize resistance against corrosion in salty environments.

[↑ back to overview page recessed downlights](#)

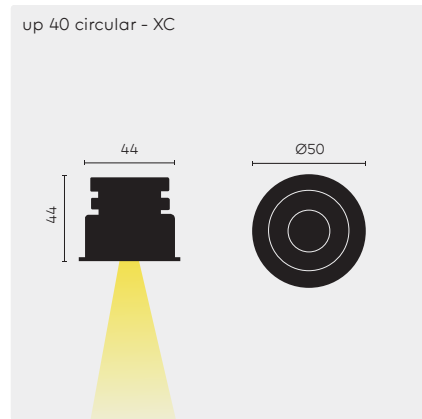
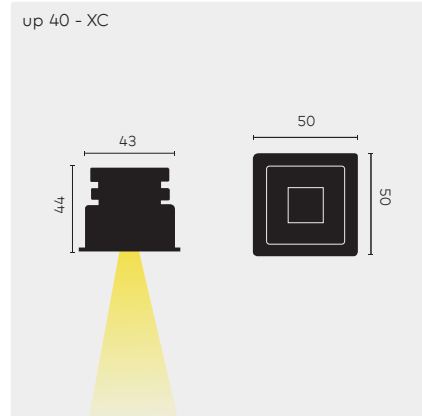
up 40
140



up 80
142



kreon up 40



	Colour	KR-code	Light sources	9027 2700K, CRI90+	9030 2700K, CRI90+	SP Spot	FL Flood	SB Spot with baffle	FB Flood with baffle	XC For ceiling installation ①	Optional accessories
up 40	○	KR952111	①	●	●	●	●	●	●	●	■
	●	KR952112	①	●	●	●	●	●	●	●	■
up 40 circular	○	KR952611	①	●	●	●	●	●	●	●	■
	●	KR952612	①	●	●	●	●	●	●	●	■
Optional accessories											
Driver ②											
		KR772630	LED driver, 700mA, ON/OFF, 30W (IP68)								
		KR772850	LED driver, 700mA, ON/OFF, 7.5W (IP67) ④								
		KR772752	LED driver, 700mA, 1-10V, 12W (IP67) ③								
		KR772853	LED driver, 700mA, DALI, 30W (IP68)								

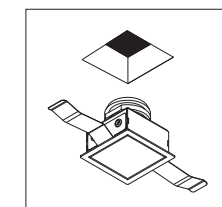
	CRI	CCT	Wattage	Drive current	Fixture lumen
① LED	CRI90+	2700K/3000K	2W	700mA	149lm

REMARKS

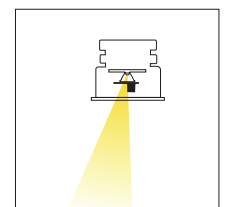
- ① Build-in dimensions of fixture with XC-option: LxW = 45x47
- ② Must be placed on remote.
- ③ Driver can only be used for at least 4 fixtures.
- ④ Available until stock runs out.

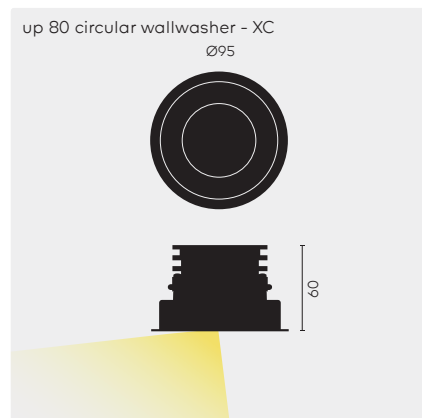
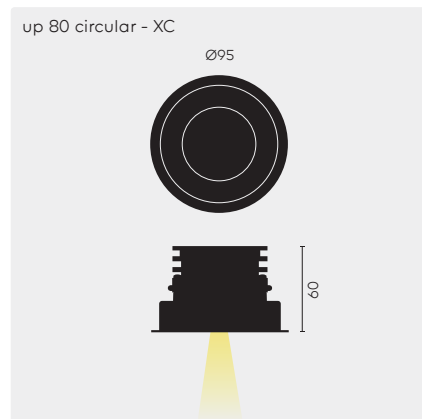
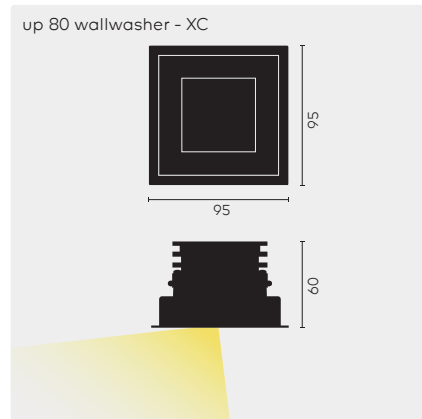
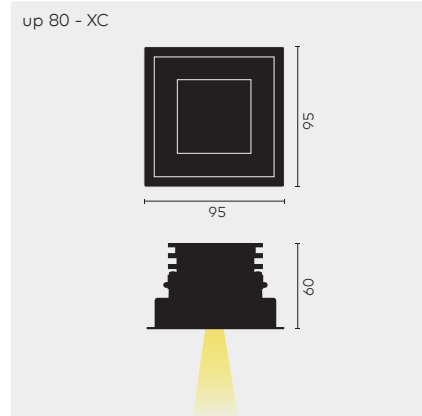
Thickness boardmaterial:
9-18mm
Gear excluded
◆ IP67 - IK06

XC



Baffle option





	Colour	KR-code	Light sources	9027 2700K, CRI90+	9030 3000K, CRI90+	SP spot (21°)	FL flood (29°)	WFL wide flood (38°)	DF diffused (87°)	WW wallwasher	XC For ceiling installation	Required accessories	Optional accessories
up 80	○	KR952131	①	●	●	●	●	●	●	●	●	■	■
	●	KR952132	①	●	●	●	●	●	●	●	●	■	■
up 80 circular	○	KR952631	①	●	●	●	●	●	●	●	●	■	■
	●	KR952632	①	●	●	●	●	●	●	●	●	■	■

■ **Required accessories**

Removal tool

[KR752110](#) Suction cup ②

■ **Optional accessories**

Matchbox

[KR752303](#) Matchbox up 80

[KR752803](#) Matchbox up 80 circular

Driver ①

[KR772630](#) LED driver, 700mA, ON/OFF, 30W (IP68)

[KR772752](#) LED driver, 700mA, 1-10V, 12W (IP67)

[KR772753](#) LED driver, 700mA, DALI, 35W (IP68)

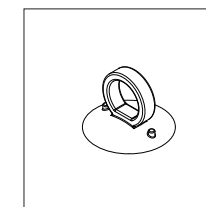
			CRI	CCT	Wattage	Drive current	Fixture lumen
①	LED	FL	CRI90+	2700K/3000K	8,4W	700mA	341lm
		DF	CRI90+	2700K/3000K	8,4W	700mA	111lm
		WW	CRI90+	2700K/3000K	4W	700mA	263lm

REMARKS

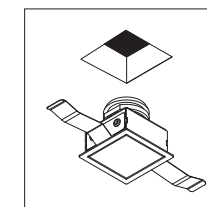
- ① Must be placed on remote.
 - ② To be used in maintenance.
- One per project is recommended.

Gear excluded
◆ IP67 - IK09

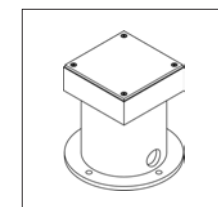
Suction cup



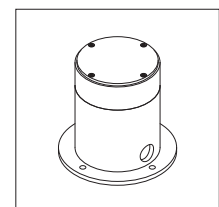
XC



Matchbox up 80



Matchbox up 80 circular



kreon ceiling luminaires

diapason	146
erubo	158
holon	162
nuit	184
prologe	188
stripe	198
up	202

[↑ back to table of content](#)

kreon diapason

kreon diapason is a range of spotlights equipped with state-of-the-art LED sources and lensed reflectors to provide maximum light control within a compact body form.

kreon diapason is offered in three sizes with a choice of black, white or copper finish options. Light control is facilitated by a selection of lens optics, colour temperatures, and choice of colour rendering indexes, along with the option to add cylindrical glare preventers for maximum light restraint. kreon diapason can be recessed mounted individually within a discreet trimless plasterkit, M10 thread fixed, surface mounted on a gear box accessory or magnetically fixed on a 48V track system.

[↑ back to overview page ceiling luminaires](#)

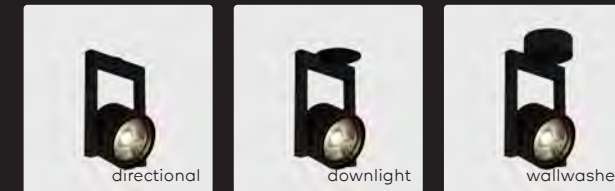
diapason 40
148



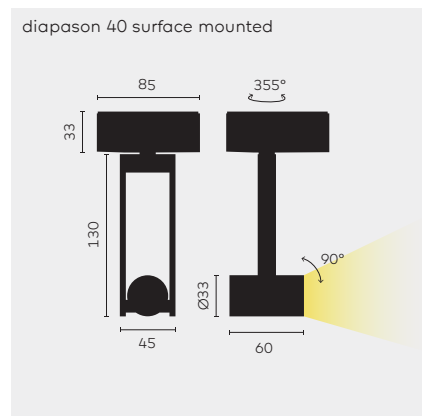
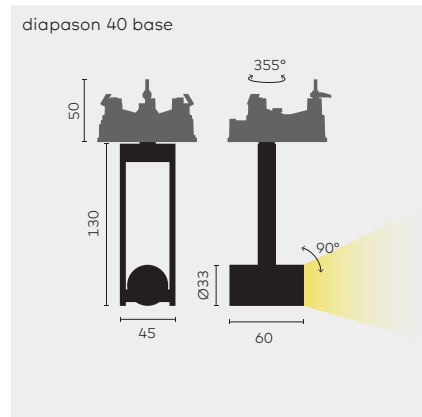
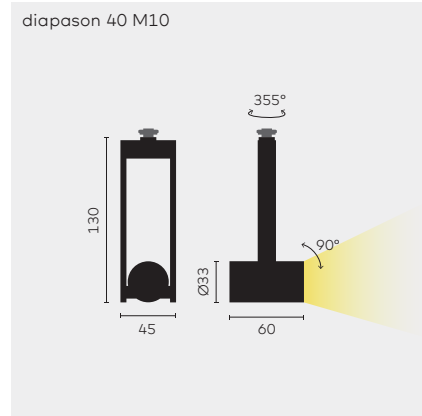
diapason 80
150



diapason 120
154



kreon diapason 40



- diapason 40 M10**
- diapason 40 recessed mounted**
- diapason 40 surface mounted**

Required accessories

Plasterkit for diapason 40 recessed mounted

Plasterkit concrete

Installation kit for wooden ceiling

Optional accessories

Driver

Colour	KR-code	Light sources	9027 2700K, CRI90+	9030 3000K, CRI90+	SP Spot (10°)	FL Flood (24°)	WFL Wide flood (46°)	Required accessories	Optional accessories
○	KR906601	①	●	●	●	●	●	■	
●	KR906602	①	●	●	●	●	●	■	
○	KR906611	①	●	●	●	●	●	■	■
●	KR906612	①	●	●	●	●	●	■	■
○	KR906651	①	●	●	●	●	●		■
●	KR906652	①	●	●	●	●	●		■

[KR717104](#) Plasterkit, front mounting, no shadowgap, trimless finishing \varnothing 102

[KR717108](#) Plasterkit, front mounting, with shadowgap, trimless finishing \varnothing 102

[KR717000](#) Plasterkit, back mounting, no shadowgap

○ [KR717021](#) Installation kit with trim, white \varnothing 90 H 70

● [KR717022](#) Installation kit with trim, black \varnothing 90 H 70

[KR717101](#) Plasterkit for concrete installation, no shadowgap

[KR717109](#) Plasterkit for concrete installation, shadowgap

[KR717100](#) Installation kit, no shadowgap

[KR772142](#) LED driver, 1050mA, 1-10V, 39W

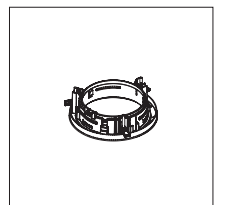
[KR772443](#) LED driver, 1050mA, DALI, 60W

	CRI	CCT	Wattage	Drive current	Fixture lumen
① LED	CRI90+	2700K/3000K	3,2W	1050mA	237lm

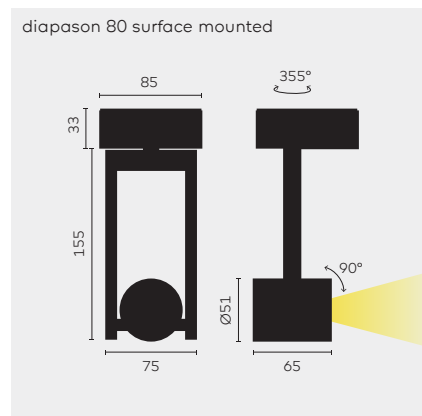
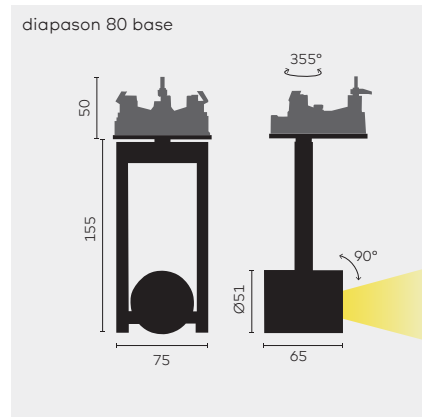
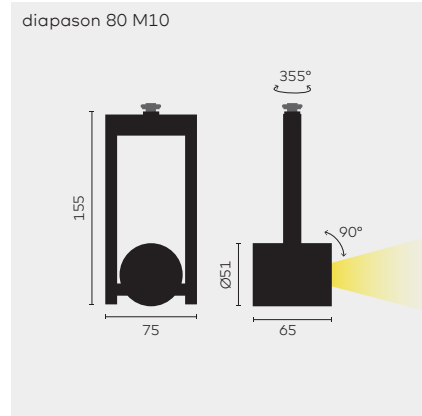
REMARKS

Gear excluded.
 \varnothing IP40

Plasterkit



kreon diapason 80



	Colour	KR-code	Light sources	9027 2700K, CRI90+	9030 3000K, CRI90+	SP Spot (20°)	FL Flood (30°)	WFL Wide flood (40°)	Required accessories ①	Optional accessories ①
diapason 80 M10	○	KR916601	①	●	●	●	●	●	■	■
	●	KR916602	①	●	●	●	●	●	■	■
	●	KR916605	①	●	●	●	●	●	■	■
diapason 80 recessed mounted	○	KR916611	①	●	●	●	●	●	■	■
	●	KR916612	①	●	●	●	●	●	■	■
	●	KR916615	①	●	●	●	●	●	■	■
diapason 80 surface mounted	○	KR916651	①	●	●	●	●	●	■	■
	●	KR916652	①	●	●	●	●	●	■	■
	●	KR916655	①	●	●	●	●	●	■	■

	CRI	CCT	Voltage	Wattage	Drive current	Fixture lumen
① LED	CRI90+	2700K/3000K		5,7W	500mA	428lm

REMARKS

① Find accessories on page 152-153.

● Black luminaire with copper lamphead
Gear excluded.
◆ IP40

■ Required accessories

Plasterkit for diapason 80 recessed mounted

KR717104 Plasterkit, no shadowgap, front mounting, trimless finishing \varnothing 102 H 70

KR717108 Plasterkit, with shadowgap, front mounting, trimless finishing \varnothing 102 H 70

KR717000 Plasterkit, back mounting, no shadowgap

○ **KR717021** Installation kit with trim, white \varnothing 90 H 70

● **KR717022** Installation kit with trim, black \varnothing 90 H 70

Plasterkit concrete

KR717101 Plasterkit for concrete installation, no shadowgap

KR717109 Plasterkit for concrete installation, shadowgap

Installation kit for wooden ceiling

KR717100 Installation kit, no shadowgap

■ Optional accessories

Glare preventer

○ **KR706721** Straight glare preventer, white (H 30)

● **KR706722** Straight glare preventer, black (H 30)

○ **KR706731** Rounded glare preventer, white (H 54)

● **KR706732** Rounded glare preventer, black (H 54)

Louvres and lenses ¹

KR706070 Anti-glare louvre

KR706270 Diffusing lens

Driver

KR772024 LED driver, 500mA, ON/OFF, 20W

KR772220 LED driver, 500mA, 1-10V, 20W

KR772126 LED driver, 500mA, DALI, 18W

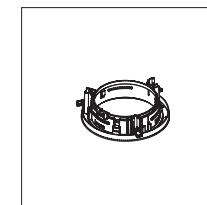
KR772229 LED driver, 500mA, Casambi, 27W

REMARKS

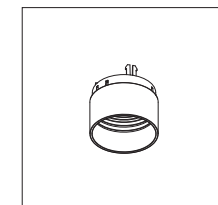
See page 610 for more information about different installation kits.

¹ Lenses only in combination with a glare preventer. Max. 2 accessories per glare preventer.

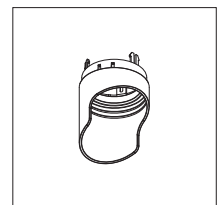
Plasterkit



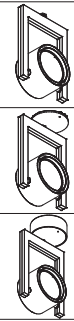
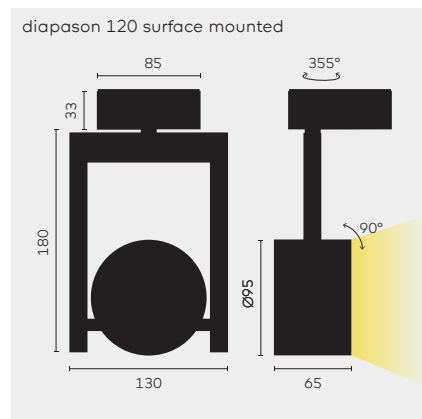
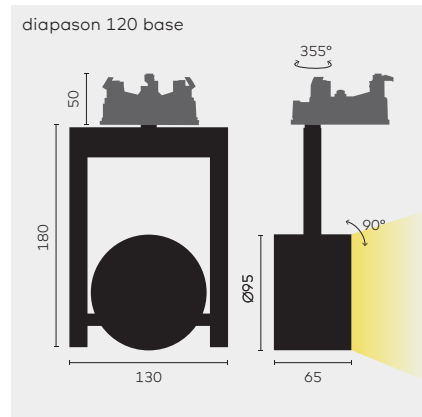
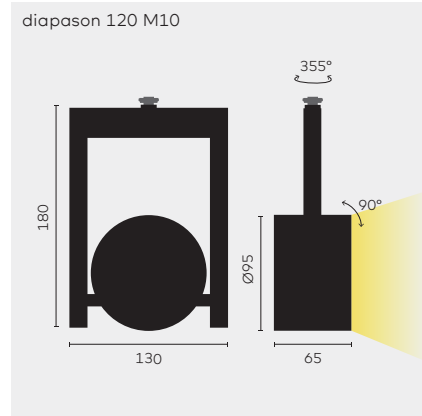
Straight glare preventer



Rounded glare preventer



kreon diapason 120



diapason 120 M10

diapason 120 recessed mounted

diapason 120 surface mounted

Colour	KR-code	Light sources	9027 2700K, CRI90+	9030 3000K, CRI90+	SP Spot (12°)	FL Flood (24°)	WFL Wide flood (38°)	Required accessories ①	Optional accessories ①
○	KR926601	①	●	●	●	●	●	■	■
●	KR926602	①	●	●	●	●	●	■	■
○	KR926611	①	●	●	●	●	●	■	■
●	KR926612	①	●	●	●	●	●	■	■
○	KR926651	①	●	●	●	●	●	■	■
●	KR926652	①	●	●	●	●	●	■	■

		CRI	CCT	Voltage	Wattage	Drive current	Fixture lumen
①	LED	SP	CRI90+	2700K/3000K	19,5W	700mA	1185lm
		FL & WFL	CRI90+	2700K/3000K	16,5W	700mA	1761lm

REMARKS

① Find accessories on page 156-157.

Gear excluded
◆ IP40

■ Required accessories

Plasterkit for diapason 120 recessed mounted

KR717104 Plasterkit, no shadowgap, trimless finishing \varnothing 102 H 70

KR717108 Plasterkit, with shadowgap, trimless finishing \varnothing 102 H 70

KR717000 Plasterkit, back mounting, no shadowgap

○ **KR717021** Installation kit with trim, white \varnothing 90 H 70

● **KR717022** Installation kit with trim, black \varnothing 90 H 70

Plasterkit concrete

KR717101 Plasterkit for concrete installation, no shadowgap

KR717109 Plasterkit for concrete installation, shadowgap

Installation kit for wooden ceiling

KR717100 Installation kit, no shadowgap

■ Optional accessories

Glare preventer

○ **KR706821** Straight glare preventer, white (H 40)

● **KR706822** Straight glare preventer, black (H 40)

○ **KR706831** Rounded glare preventer, white (H 90)

● **KR706832** Rounded glare preventer, black (H 90)

Louvres and lenses ①

KR706080 Anti-glare louvre

KR706180 Sculpture lens

KR706280 Diffusing lens

Driver

KR772050 LED driver, 700mA, ON/OFF, 33W

KR772232 LED driver, 700mA, 1-10V, 20W

KR772233 LED driver, 700mA, DALI, 27W

KR772239 LED driver, 700mA, Casambi, 27W

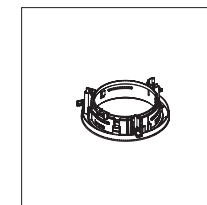
KR772430 LED driver, 700mA, phase dim, 25W

KR772239 LED driver, 700mA, Casambi, 36W

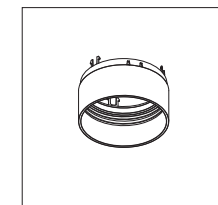
REMARKS

① Lenses only in combination with a glare preventor. Max. 2 accessories per glare preventor.

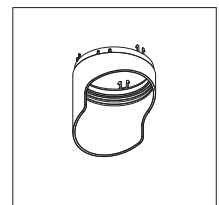
Plasterkit



Straight glare preventer



Rounded glare preventer



kreon erubo

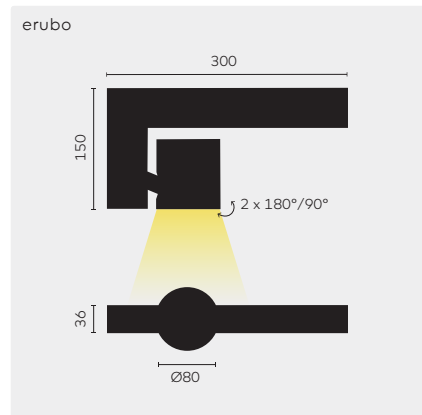
kreon erubo embodies a series of architectural spotlights characterised for their clean geometric shapes, housing cutting-edge LED light sources and electronic dimmable drivers.

With a wide array of output options and colour temperatures to choose from, kreon erubo offers exceptional versatility. You have the option to mount kreon erubo spotlights individually or utilize a track system, providing an excellent solution for illuminating displays in homes, shops, or galleries with exceptional flexibility.

[↑ back to overview page ceiling luminaires](#)

erubo
160





■ Optional accessories

Lenses

Colour	KR-code	Light sources	9027 2700K, CRI90+	9030 3000K, CRI90+	9040 4000K, CRI90+	9527 2700K, CRI98+	9530 3000K, CRI98+	9540 4000K, CRI98+	FL Flood (24°)	WFL Wide flood (38°)	PD Phase dimming	VD 1-10V dimming	DD DALI dimming	Optional accessories
○	<u>KR921635</u>	①	●	●	●	●	●	●	●	●	●	●	●	■
●	<u>KR921632</u>	①	●	●	●	●	●	●	●	●	●	●	●	■
			<p><u>KR762002</u> Anti-glare louvre</p>											

			CRI	CCT	Wattage	Fixture lumen
①	LED	FL 6	CRI90+	2700K/3000K/4000K	19W	1492lm
		WFL	CRI95+	2700K/3000K/4000K	19W	1276lm

REMARKS
Gear included.
IP40

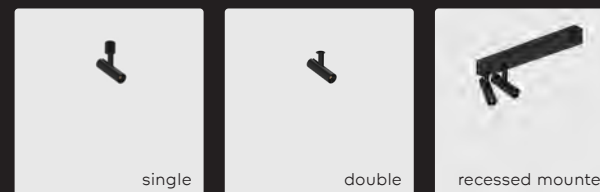
kreon holon

kreon holon offers a range of cylindrical downlights characterised by its compact form and deep set LED position, providing a subtle feeling of light without a possible uncomfortable visual perception.

The range incorporates different LED modules and is available in four diameters to accommodate various spatial needs. Whether you prefer fixed or directional units, kreon holon provides a discreet yet functional lighting solution for both general and accent lighting in architectural spaces. The fixtures are available in black for a striking contrast or pure white for a seamless integration with the surroundings.

[↑ back to overview page ceiling luminaires](#)

holon 20
164



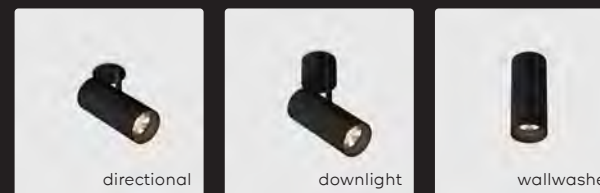
holon 40
168



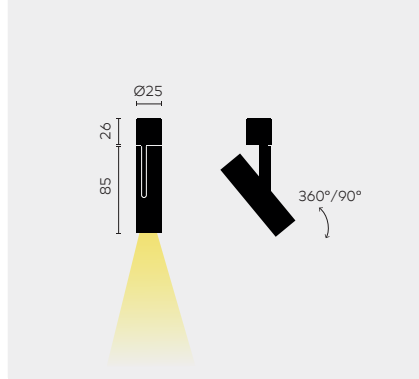
holon 60
172



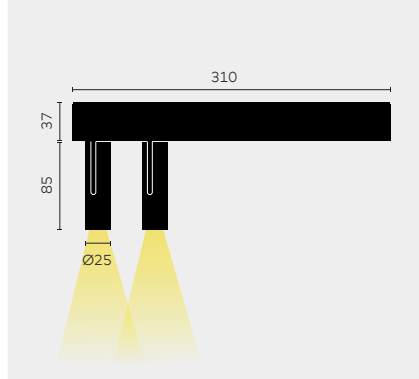
holon 80
182



holon 20 directional, surface mounted, single



holon 20 directional, surface mounted, double



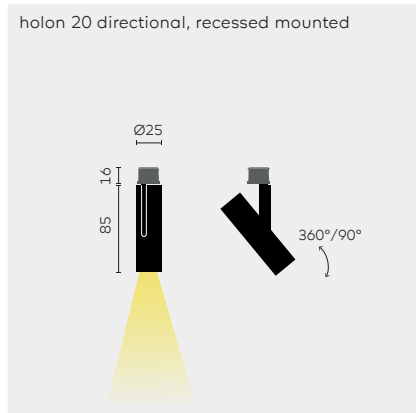
Colour	KR-code	Light sources	9027 2700K, CRI90+	9030 3000K, CRI90+	SP Spot (15°)	DL Dark light (20°)	WDL Wide dark light (38°)	SW Switchable ON/OFF	VD 1-10V dimming	DD DALI dimming	Optional accessories
○	<u>KR952261</u>	①	●	●	●	●	●				■
●	<u>KR952262</u>	①	●	●	●	●	●				■
○	<u>KR952361</u>	②	●	●	●	●	●	●	●	●	
●	<u>KR952362</u>	②	●	●	●	●	●	●	●	●	
Optional accessories											
Driver		<u>KR7.....</u>	TBD								
		<u>KR7.....</u>	TBD								
		<u>KR7.....</u>	TBD								
		<u>KR7.....</u>	TBD								
		<u>KR7.....</u>	TBD								
		<u>KR7.....</u>	TBD								
		<u>KR7.....</u>	TBD								

		CRI	CCT	Voltage	Wattage	Drive Current	Fixture lumen
①	LED	CRI90+	2700K/3000K		4,2W	350mA	250lm
②	LED	CRI90+	2700K/3000K	230V	8,4W		2x250lm

REMARKS

◆ IP40

holon 20 directional, recessed mounted



holon 20 directional, recessed mounted

Gear: excl.

Required accessories

Chassis

<input type="radio"/>	KR739921	Chassis for holon 20 directional, recessed mounted, white
<input checked="" type="radio"/>	KR739922	Chassis for holon 20 directional, recessed mounted, black

Installation kit

KR717100	Installation kit, back mounting
--------------------------	---------------------------------

Plasterkit

KR717104	Plasterkit, front mounting, no shadowgap
KR717108	Plasterkit, front mounting, shadowgap
KR717000	Plasterkit, back mounting, no shadowgap

Plasterkit concrete

KR717101	Plasterkit for concrete installation, no shadowgap (430x430)
KR717102	Plasterkit for concrete installation, no shadowgap, small (200x200)
KR717107	Plasterkit for concrete installation, shadowgap, small (200x200)
KR717109	Plasterkit for concrete installation, shadowgap (430x430)

Optional accessories

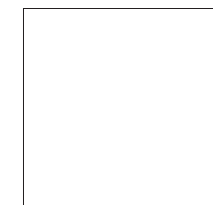
Driver

KR7.....	TBD
KR7.....	TBD
KR7.....	TBD
KR7.....	TBD
KR7.....	TBD
KR7.....	TBD
KR7.....	TBD

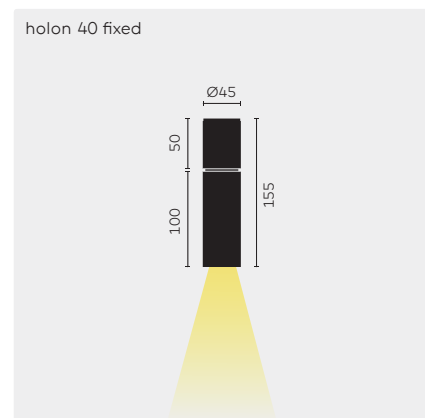
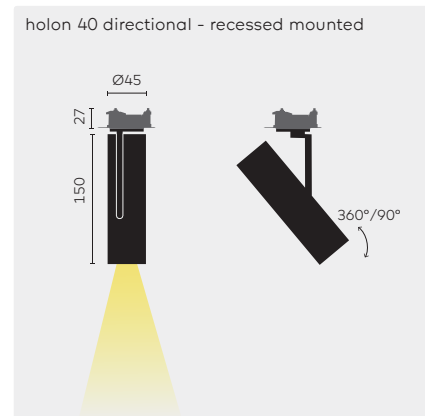
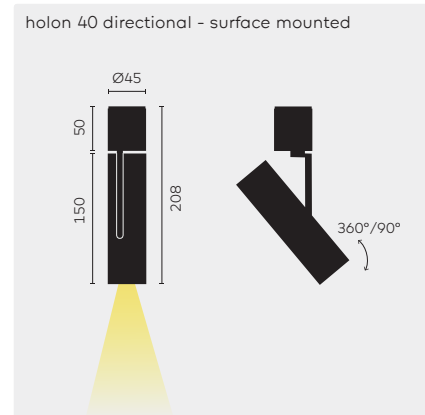
REMARKS

◆ IP40

Chassis



	CRI	CCT	Wattage	Drive Current	Fixture lumen
① LED	CRI90+	2700K/3000K	4,2W	350mA	250lm



	Colour	KR-code	Light sources	9027 2700K, CRI90+	9030 3000K, CRI90+	SP Spot (20°)	FL Flood (30°)	WFL Wide flood (40°)	DL Dark light (38°)	MDL Wide dark light (76°)	Required accessories	Optional accessories
holon 40 directional surface mounted Gear: excl.	○	KR962301	①	●	●	●	●	●	●	●		■
	●	KR962302	①	●	●	●	●	●	●	●		■
holon 40 directional recessed mounted Gear: excl.	○	KR962311	①	●	●	●	●	●	●	●	■	■
	●	KR962312	①	●	●	●	●	●	●	●	■	■
holon 40 fixed Gear: excl.	○	KR962701	①	●	●	●	●	●	●	●		■
	●	KR962702	①	●	●	●	●	●	●	●		■

Required accessories

Installation kit	KR707100	Installation kit Ø40, trimless, back installation, 13+mm panel
	KR707102	Installation kit Ø40, trimless, back installation
Plasterkit	KR707104	Plasterkit, front mounting, trimless finish, for holon 40 directional recessed mounted ⌀ Ø63
	KR707000	Plasterkit, Ø40, trimless, back installation, 13+mm panel
	KR707002	Plasterkit, Ø40, trimless, back installation, 9-13mm

Optional accessories

Driver	KR762700	LED driver, 700mA, ON/OFF, 1,4-11W ②
	KR772631	LED driver, 700mA, phase dim, 2,1-10W ②
	KR762902	LED driver, 700mA, 1-10V, 6,3-25W (IP67) ②
	KR772633	LED driver, 700mA, DALI, 1,5-8,4W ②
	KR752633	LED driver, 700mA, DALI, 1,75-10W ②
Installation cover	KR762501	Installation cover, white
	KR762502	Installation cover, black
Lenses and louvres for SP, FL, WFL	KR762000	Anti-glare louvre
	KR762200	Diffusing lens

			CRI	CCT	Wattage	Drive current	Fixture lumen
①	LED	FL	CRI90+	2700K/3000K	8,4W	700mA	558lm
		darklight	CRI90+	2700K/3000K	8,4W	700mA	417lm

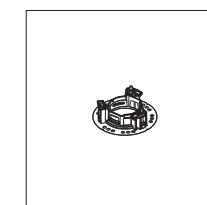
REMARKS

- ① Comes with black louvre
- ② Driver fits through the installation hole of the kreon holon 40 directional, recessed mounted. Minimum installation depth is 180mm.

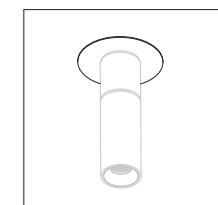
Colours bronze, nickel, gold and gun black on request.

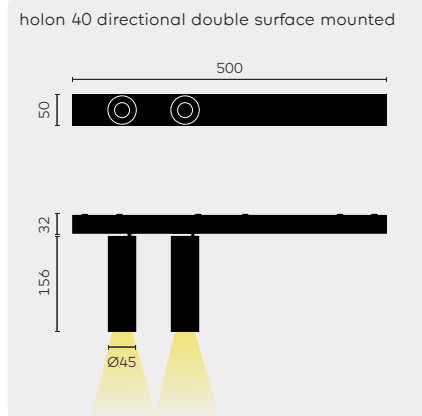
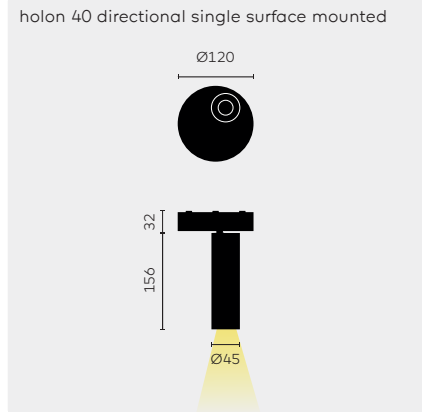
⌀ IP40

Plasterkit



Installation cover





Colour	KR-code	Light sources	9027 2700K, CRI90+	9030 3000K, CRI90+	SP Spot (20°)	FL Flood (30°)	WFL Wide flood (40°)	DL Dark light (38°)	MDL Wide dark light (76°)	PD phase dimming	VD 1-10V dimming	DD DALI dimming	CD casambi dimming	Optional accessories
○	<u>KR962501</u>	①	●	●	●	●	●	●	●	●				■
●	<u>KR962502</u>	①	●	●	●	●	●	●	●	●				■
○	<u>KR962511</u>	②	●	●	●	●	●	●	●	●	●	●	●	■
●	<u>KR962512</u>	②	●	●	●	●	●	●	●	●	●	●	●	■
<p>■ Optional accessories</p> <p>Lenses and louvres for SP, FL, WFL</p> <p><u>KR762000</u> Anti-glare louvre</p> <p><u>KR762200</u> Diffusing lens</p>														

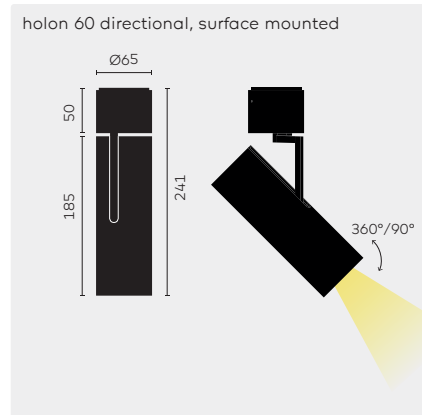
		CRI	CCT	Voltage	Wattage	Drive current	Fixture lumen
①	FL	CRI90+	2700K/3000K	230V	8,4W	700mA	558lm
	darklight	CRI90+	2700K/3000K	230V	8,4W	700mA	417lm
②	FL	CRI90+	2700K/3000K	230V	2x 8,4W	700mA	2x 558lm
	darklight	CRI90+	2700K/3000K	230V	2x 8,4W	700mA	2x 417lm

REMARKS

① Comes with black louvre.

Colours bronze, nickel, gold and gun black on request.

© IP40



Colour	KR-code	Light sources	9027 2700K, CRI90+	9030 3000K, CRI90+	9040 4000K, CRI90+	9527 2700K, CRI95+	9530 3000K, CRI95+	9540 4000K, CRI95+	DTW Dim-to-warm (1800K-3000K), CRI97+	SSP Superspot (18°)	SP Spot (33°)	FL Flood (54°)	WFL Wide flood (69°)	SW Switchable ON/OFF	DD DALI dimming
○	KR962461	①	●	●	●	●	●	●	●	●	●	●	●	●	●
●	KR962462	①	●	●	●	●	●	●	●	●	●	●	●	●	●
○	KR962161	②	●	●	●	●	●	●	●	●	●	●	●	●	●
●	KR962162	②	●	●	●	●	●	●	●	●	●	●	●	●	●
◐	KR962165	②	●	●	●	●	●	●	●	●	●	●	●	●	●

holon 60 directional surface mounted, low louvre
Gear: incl. ②

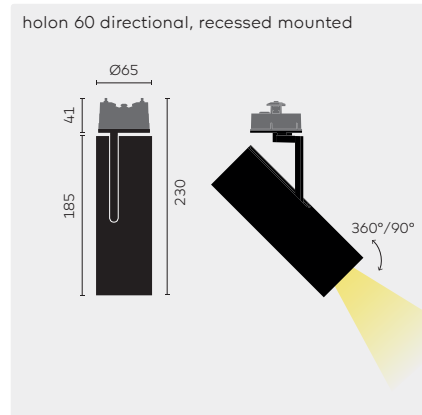
holon 60 directional surface mounted, deep recessed louvre
Gear: incl. ②

			CRI	CCT	Voltage	Wattage	Fixture lumen
①	LED	SSP & SP	CRI90+	2700K/3000K/4000K	230V	10,2W	808lm
			CRI95+	2700K/3000K/4000K	230V	10,2W	727lm
		SP	CRI97+	DTW 1800K - 3000K	230V	12,6W	726lm
	FL & WFL	CRI90+	2700K/3000K/4000K	230V	11,9W	1211lm	
		CRI95+	2700K/3000K/4000K	230V	11,9W	1090lm	
		CRI97+	DTW 1800K - 3000K	230V	12,6W	823lm	
②	LED	SSP & SP	CRI90+	2700K/3000K/4000K	230V	10,2W	788lm
			CRI95+	2700K/3000K/4000K	230V	10,2W	709lm
		SP	CRI97+	DTW 1800K - 3000K	230V	12,6W	TBD
	FL	CRI90+	2700K/3000K/4000K	230V	11,9W	1146lm	
		CRI95+	2700K/3000K/4000K	230V	11,9W	1031lm	
		CRI97+	DTW 1800K - 3000K	230V	12,6W	TBD	

REMARKS
Superspot cannot be combined with dim-to warm.
Dim-to-warm cannot be combined with switchable ON/OFF.
① Dali-2, push dimming

● white luminaire with black louvre

IP40



holon 60 directional recessed mounted, low louvre
Gear: excl. ♦

holon 60 directional recessed mounted, deep recessed louvre
Gear: excl. ♦

■ Required accessories

Installation kit

KR707170 Installation kit Ø60, trimless, backside installation

Plasterkit

KR707070 Plasterkit Ø60, trimless, backside installation

KR707164 Plasterkit, front mounting, trimless finish, for holon 60 directional recessed mounted, Ø 83mm

KR707161 Plasterkit concrete, trimless finish, for holon 60 directional recessed mounted

Colour	KR-code	Light sources	9027 2700K, CRI90+	9030 3000K, CRI90+	9040 4000K, CRI90+	9527 2700K, CRI95+	9530 3000K, CRI95+	9540 4000K, CRI95+	TW Tunable white (2700K-5000K), CRI90+	DTW Dim-to-warm (1800K-3000K), CRI97+	SSP Superspot (18°)	SP Spot (33°)	FL Flood (54°)	WFL Wide flood (69°)	Required accessories	Optional accessories
--------	---------	---------------	-----------------------	-----------------------	-----------------------	-----------------------	-----------------------	-----------------------	---	--	------------------------	------------------	-------------------	-------------------------	----------------------	----------------------

○	KR962371	①	●	●	●	●	●	●	●	●	●	●	●	●	■	■
●	KR962372	①	●	●	●	●	●	●	●	●	●	●	●	●	■	■
○	KR962271	②	●	●	●	●	●	●	●	●	●	●	●	●	■	■
●	KR962272	②	●	●	●	●	●	●	●	●	●	●	●	●	■	■
◐	KR962275	②	●	●	●	●	●	●	●	●	●	●	●	●	■	■

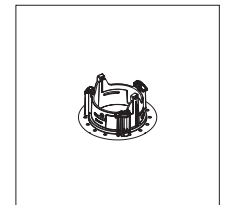
			CRI	CCT	Wattage	Drive current	Fixture lumen
①	LED SSP & SP	CRI90+	2700K/3000K/4000K	10,2W	300mA	808lm	
		CRI95+	2700K/3000K/4000K	10,2W	300mA	727lm	
	SP	CRI90+	TW 2700K-5000K	2x11W	300mA	TBD	
		CRI97+	DTW 1800K-3000K	12,6W	350mA	726lm	
	FL & WFL	CRI90+	2700K/3000K/4000K	18,5W	500mA	1616lm	
		CRI95+	2700K/3000K/4000K	18,5W	500mA	1454lm	
		CRI90+	TW 2700K-5000K	2x11W	300mA	TBD	
		CRI97+	DTW 1800K-3000K	12,6W	350mA	823lm	
	②	LED SSP & SP	CRI90+	2700K/3000K/4000K	10,2W	300mA	788lm
			CRI95+	2700K/3000K/4000K	10,2W	300mA	709lm
		SP	CRI90+	TW 2700K-5000K	2x11W	300mA	TBD
			CRI97+	DTW 1800K-3000K	12,6W	350mA	TBD
FL		CRI90+	2700K/3000K/4000K	18,5W	500mA	1523lm	
		CRI95+	2700K/3000K/4000K	18,5W	500mA	1370lm	
		CRI90+	TW 2700K-5000K	2x11W	300mA	TBD	
		CRI97+	DTW 1800K-3000K	12,6W	350mA	TBD	

REMARKS
Superspot cannot be combined with tunable white and dim-to-warm.

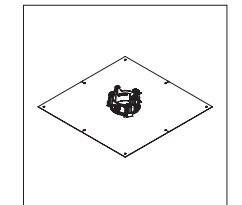
◐ white luminaire with black louvre

IP40

Plasterkit



Plasterkit concrete



■ Optional accessories

Driver 300mA for SSP & SP

[KR747464](#) LED driver, 300mA, ON/OFF, 1-16W ①

[KR772211](#) LED driver, 300mA, Phase dim, 4,5-14W ①

[KR747562](#) LED driver, 300mA, 1-10V, 6-15W ①

[KR747666](#) LED driver, 300mA, DALI, 3-16W ①

[KR772209](#) LED driver, 300mA, Casambi, 3-16W ①

Driver 500mA for FL & WFL

[KR772024](#) LED driver, 500mA, ON/OFF, 1-20W ①

[KR752843](#) LED driver, 500mA, Phase dim, 1-24W ②

[KR772220](#) LED driver, 500mA, 1-10V, Push-dim, 1-20W ①

[KR772223](#) LED driver, 500mA, DALI, 2,5-20W ①

[KR772229](#) LED driver, 500mA, Casambi, 5-27W ①

Driver (dim-to-warm) 350mA for SP, FL & WFL

[KR747162](#) LED driver, 350mA, 1-10V, 6-18W

[KR747266](#) LED driver, 350mA, DALI, 3,5-17W

[KR772219](#) LED driver, 350mA, Casambi 3,5-18,5W

Driver (tunable white) 300mA for SP, FL & WFL

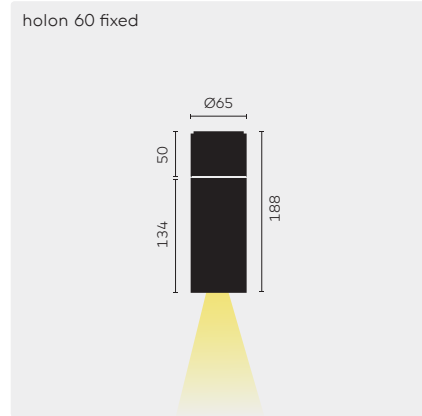
[KR747766](#) LED driver, 300mA, DALI, 16,5W ②

REMARKS

① Plenum height needs to be 150mm to push driver trough plasterkit

② Driver does not fit trough plasterkit

IP40

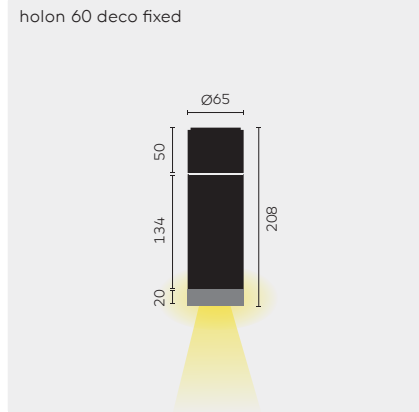


	Colour	KR-code	Light sources	9027 2700K, CRI90+	9030 3000K, CRI90+	9040 4000K, CRI90+	9527 2700K, CRI95+	9530 3000K, CRI95+	9540 4000K, CRI95+	SSP Superspot (18°)	SP Spot (33°)	FL Flood (54°)	WFL Wide flood (69°)	SW Switchable ON/OFF	DD DALI dimming	Optional accessories	
holon 60 fixed surface mounted, low louvre Gear: incl. ☺	○	KR962861	①	●	●	●	●	●	●	●	●	●	●	●	●		
	●	KR962862	①	●	●	●	●	●	●	●	●	●	●	●	●	●	
holon 60 fixed surface mounted, low louvre Gear: excl. ☹	○	KR962761	②	●	●	●	●	●	●	●	●	●				■	
	●	KR962762	②	●	●	●	●	●	●	●	●	●					■
holon 60 fixed surface mounted, deep recessed louvre Gear: excl. ☹	○	KR962661	③	●	●	●	●	●	●	●	●					■	
	●	KR962662	③	●	●	●	●	●	●	●	●						■
	◐	KR962665	③	●	●	●	●	●	●	●	●						■
Optional accessories																	
Driver 300mA for SSP & SP										KR747464	LED driver, 300mA, ON/OFF, 1-16W						
										KR772211	LED driver, 300mA, Phase dim, 4,5-14W						
										KR747562	LED driver, 300mA, 1-10V, 6-15W						
										KR747666	LED driver, 300mA, DALI, 3-16W						
										KR772209	LED driver, 300mA, Casambi, 3-16W						
Driver 500mA for FL & WFL										KR772024	LED driver, 500mA, ON/OFF, 1-20W						
										KR752843	LED driver, 500mA, Phase dim, 1-24W						
										KR772220	LED driver, 500mA, 1-10V, Push-dim, 1-20W						
										KR772223	LED driver, 500mA, DALI, 2,5-20W						
										KR772229	LED driver, 500mA, Casambi, 5-27W						

			CRI	CCT	Voltage	Wattage	Drive current	Fixture lumen
①	LED	SSP & SP	CRI90+	2700K/3000K/4000K	230V	10,2W	300mA	808lm
			CRI95+	2700K/3000K/4000K				727lm
	FL & WFL	CRI90+	2700K/3000K/4000K	230V	11,9W	1211lm		
		CRI95+	2700K/3000K/4000K			1090lm		
②	LED	SSP & SP	CRI90+	2700K/3000K/4000K		10,2W	500mA	811lm
			CRI95+	2700K/3000K/4000K				727lm
	FL & WFL	CRI90+	2700K/3000K/4000K		18,5W	1545lm		
		CRI95+	2700K/3000K/4000K			1454lm		
③	LED	SSP & SP	CRI90+	2700K/3000K/4000K		10,2W	500mA	786lm
			CRI95+	2700K/3000K/4000K				709lm
	FL	CRI90+	2700K/3000K/4000K		18,5W	1468lm		
		CRI95+	2700K/3000K/4000K			1370lm		

REMARKS
 ● white luminaire with black louvre

IP40



holon 60 deco fixed surface mounted, deep louvre
Gear: excl. ♦

Colour	KR-code	Light sources	9027 2700K, CRI90+	9030 3000K, CRI90+	9040 4000K, CRI90+	9527 2700K, CRI95+	9530 3000K, CRI95+	9540 4000K, CRI95+	SSP Superspot (18°)	SP Spot (33°)	FL Flood (54°)	Optional accessories
○	KR962561	①	●	●	●	●	●	●	●	●	●	■
●	KR962562	①	●	●	●	●	●	●	●	●	●	■

■ **Optional accessories**

Driver 300mA for SSP & SP

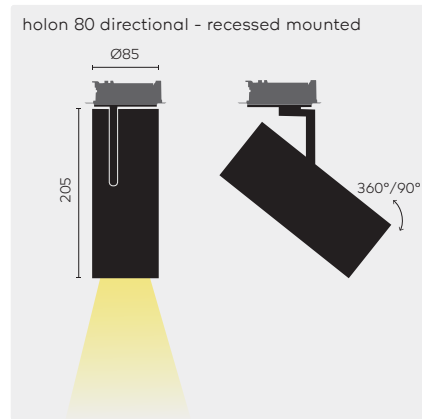
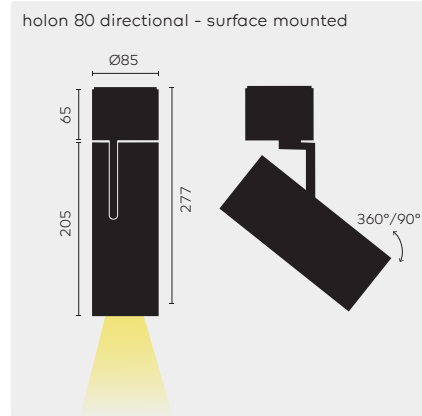
KR747464	LED driver, 300mA, ON/OFF, 1-16W
KR772211	LED driver, 300mA, Phase dim, 4,5-14W
KR747562	LED driver, 300mA, 1-10V, 6-15W
KR747666	LED driver, 300mA, DALI, 3-16W

Driver 500mA for FL & WFL

KR772209	LED driver, 300mA, Casambi, 3-16W
KR772024	LED driver, 500mA, ON/OFF, 1-20W
KR752843	LED driver, 550mA, Phase dim, 1-24W
KR772220	LED driver, 500mA, 1-10V, Push-dim, 1-20W
KR772223	LED driver, 500mA, DALI, 2,5-20W
KR772229	LED driver, 500mA, Casambi, 5-27W

	LED	CRI	CCT	Wattage	Drive current	Fixture lumen
①	SSP & SP	CRI90+	2700K/3000K/4000K	10,2W	300mA	741lm
		CRI95+	2700K/3000K/4000K			TBD
	FL	CRI90+	2700K/3000K/4000K	18,5W	500mA	1316lm
		CRI95+	2700K/3000K/4000K			TBD

REMARKS
IP40



	Colour	KR-code	Light sources	9027 2700K, CRI90+	9030 3000K, CRI90+	9040 4000K, CRI90+	9527 2700K, CRI95+	9530 3000K, CRI95+	9540 4000K, CRI95+	FL Flood (30°)	WFL Wide flood (38°)	SM Switchable ON/OFF	DD DALI dimming	Required accessories	Optional accessories	
holon 80 directional surface mounted, low louvre Gear: incl.	○	KR962021	①	●	●	●	●	●	●	●	●	●	●	■	■	
	●	KR962022	①	●	●	●	●	●	●	●	●	●	●	●	■	■
holon 80 directional surface mounted, deep recessed louvre Gear: incl.	○	KR962921	②	●	●	●	●	●	●	●	●	●	●	■	■	
	●	KR962922	②	●	●	●	●	●	●	●	●	●	●	●	■	■
	◐	KR962925	②	●	●	●	●	●	●	●	●	●	●	●	■	■
holon 80 directional recessed mounted, low louvre Gear: excl. ♦	○	KR962031	①	●	●	●	●	●	●	●	●			■	■	
	●	KR962032	①	●	●	●	●	●	●	●	●			■	■	
holon 80 directional recessed mounted, deep recessed louvre Gear: excl. ♦	○	KR962931	②	●	●	●	●	●	●	●	●			■	■	
	●	KR962932	②	●	●	●	●	●	●	●	●			■	■	
	◐	KR962935	②	●	●	●	●	●	●	●	●			■	■	
■ Required accessories																
Plasterkit				KR717104	Plasterkit, front mounting, no shadowgap, trimless finishing ⌀ Ø102											
				KR717108	Plasterkit, front mounting, shadowgap, trimless finishing ⌀ Ø102											
				KR717000	Plasterkit, back mounting, no shadowgap											
Plasterkit concrete				KR717101	Plasterkit for concrete installation, no shadowgap (430x430)											
				KR717102	Plasterkit for concrete installation, no shadowgap, small (200x200)											
				KR717109	Plasterkit for concrete installation, shadowgap (430x430)											
				KR717107	Plasterkit for concrete installation, shadowgap, small (200x200)											
Installation kit				KR717100	Installation kit, back mounting											
■ Optional accessories																
Lenses and louvres ①				KR762002	Anti-glare louvre											
				KR726100	Sculpture lens											
				KR726200	Diffusing lens											
Driver				KR772150	LED driver, 850mA, ON/OFF, 15-34W											
				KR772152	LED driver, 850mA, 1-10V, 1,7-38W											
				KR772153	LED driver, 850mA, DALI, 8,5-38W											
				KR772159	LED driver, 850mA, Casambi, 8,5-38W											

	CRI	CCT	Voltage	Wattage	Drive current	Fixture lumen
① LED	CRI90+	2700K/3000K/4000K	230V	28,9W		1610lm
	CRI95+	2700K/3000K/4000K	230V	28,9W		1610lm
② LED	CRI90+	2700K/3000K/4000K		28,9W	850mA	2415lm
	CRI95+	2700K/3000K/4000K		28,9W	850mA	1937lm

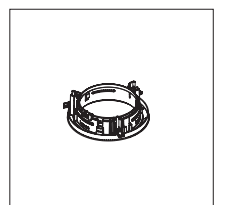
REMARKS

See page 610 for more information about different installation kits.

① One optional lens or louvre possible

IP40

Plasterkit



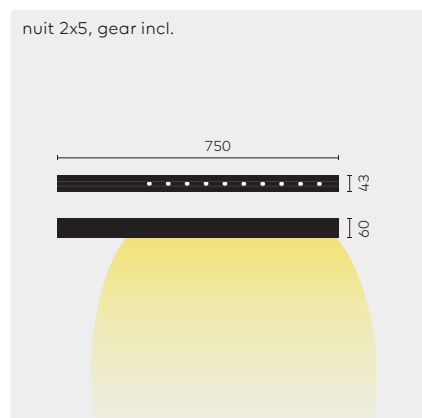
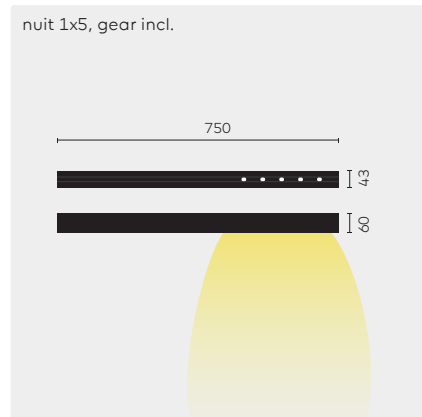
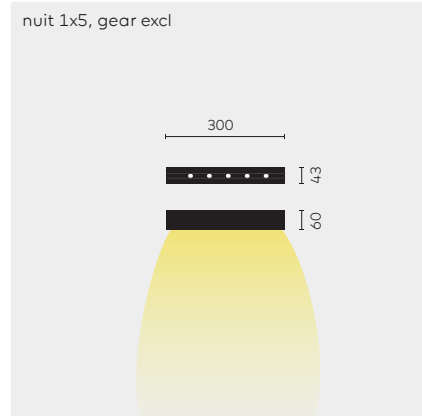
kreon nuit

kreon nuit is a downlight system that merges points of light within a continuous and subtle shadow gap. This luminaire can be installed in various ways, including recessed, surface-mounted, or pendant-mounted, allowing for precise placement of light modules exactly where illumination is desired. The profiles are available in standard lengths or can be custom-made to perfectly accommodate the specific requirements of each project.

[↑ back to overview page ceiling luminaires](#)

LED module 186





	Colour	KR-code	Light sources	9027 2700K, CRI90+	9030 3000K, CRI90+	9040 4000K, CRI90+	SP Spot (12°)	FL Flood (29°)	WFL Wide flood (40°)	OV Oval (13°+ 36°)	PD Phase dimming/ ON-OFF	VD 1-10V dimming	DD DALI/touch dimming	Optional accessories
nuit 1x5 Gear: excl.	○	KR953501	①	●	●	●	●	●	●	●				■
	●	KR953502	①	●	●	●	●	●	●	●				■
	◐	KR953505	①	●	●	●	●	●	●	●				■
nuit 1x5 Gear: incl.	○	KR953511	②	●	●	●	●	●	●	●	●	●	●	■
	●	KR953512	②	●	●	●	●	●	●	●	●	●	●	■
	◐	KR953515	②	●	●	●	●	●	●	●	●	●	●	■
nuit 2x5 Gear: incl.	○	KR953521	③	●	●	●	●	●	●	●	●	●	●	■
	●	KR953522	③	●	●	●	●	●	●	●	●	●	●	■
	◐	KR953525	③	●	●	●	●	●	●	●	●	●	●	■

Optional accessories

Recessed mounting for nuit 1x5 gear excl.	KR753301	Trim, white
	KR753302	Trim, black
	KR753300	Trimless
Recessed mounting for nuit gear incl.	KR753311	Trim, white
	KR753312	Trim, black
	KR753310	Trimless
Driver	KR772024	LED driver, 500mA, ON/OFF, 20W
	KR772220	LED driver, 500mA, 1-10V, 20W
	KR772126	LED driver, 500mA, DALI, 18W

	CRI	CCT	Voltage	Wattage	Drive current	Fixture lumen
① LED	CRI90+	2700K/3000K/4000K		7W	500mA	565lm
② LED	CRI90+	2700K/3000K/4000K	230V	7W		565lm
③ LED	CRI90+	2700K/3000K/4000K	230V	2x7W		2x 565lm

IP20

kreon prologe

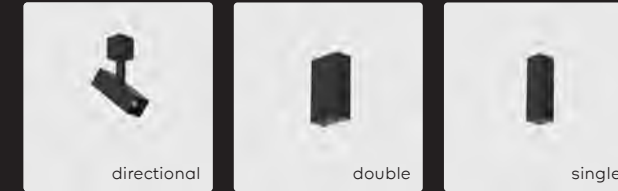
kreon prologe reflects thoroughly kreon's principles in lighting: quality, design and architectural integration. kreon prologe is a basic lighting concept that, in a modular system, offers compositions of enormous flexibility for highly personalised light scenographies.

kreon prologe wants to create functional light through the discreet presence of simple architectural volumes and adds fixed and directional LED lightsources in a surface mounted box. kreon prologe is available in 3 sizes, in black and white.

kreon prologe in-line and kreon prologe in-dolma give light mass, depth and form. Recessed in a ceiling, it sculpts architecture. Openings are made in the plastered surfaces using prefabricated anodised aluminium profiles that support the kreon prologe elements. The profiles, measure-made, are pre-cabled and realized according to your lighting design.

[↑ back to overview page ceiling luminaires](#)

prologe 40
190



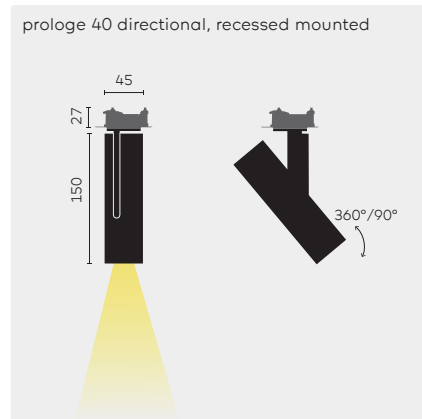
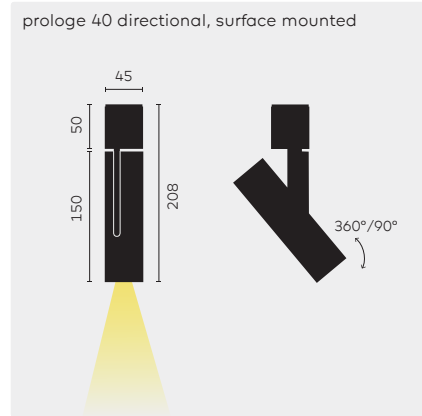
prologe 80
194

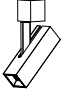



prologe 145
196



kreon prologe 40



	Colour	KR-code	Light sources	9027 2700K, CRI90+	9030 3000K, CRI90+	SP Spot (20°)	FL Flood (30°)	WFL Wide flood (38°)	DL Dark light (40°) ①	WDL Wide dark light (76°) ①	Required accessories	Optional accessories		
 prologe 40 directional, surface mounted	○	KR967251	①	●	●	●	●	●	●	●	■	■		
	●	KR967252	①	●	●	●	●	●	●	●	■	■		
 prologe 40 directional, recessed mounted	○	KR967151	①	●	●	●	●	●	●	●	■	■		
	●	KR967152	①	●	●	●	●	●	●	●	■	■		
Optional accessories														
Lenses and louvres for SP, FL, WFL		KR762010		Anti-glare louvre										
Installation kit		KR707100		Installation kit Ø40, trimless, back installation, 13+mm panel										
		KR707102		Installation kit Ø40, trimless, back installation										
Plasterkit		KR707104		Plasterkit, trimless finish, for prologe 40 directional recessed mounted ⌀ Ø63										
		KR707000		Plasterkit, Ø40, trimless, back installation, 13+mm panel										
		KR707002		Plasterkit, Ø40, trimless, back installation, 9-13mm										
Driver		KR762700		LED driver, 700mA, ON/OFF, 1,4-11W ②										
		KR772631		LED driver, 700mA, phase dim, 2,1-9,8W ③										
		KR772632		LED driver, 700mA, 0/1-10V, 7-12W ③										
		KR772633		LED driver, 700mA, DALI, 1,5-8,4W ③										
		KR752633		LED driver, 700mA, DALI, 1,75-10W ③										
Installation cover		KR766101		Installation cover, prologe 40, white										
		KR766102		Installation cover, prologe 40, black										

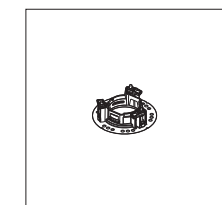
	CRI	CCT	Voltage	Wattage	Drive current	Fixture lumen
① LED	FL CRI90+	2700K/3000K		8,4W	700mA	547lm
	DL CRI90+	2700K/3000K		8,4W	700mA	380lm

REMARKS

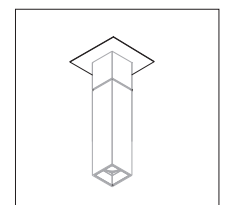
- ① Louvre for DL/WDL is always black
- ② Driver fits trough plasterkit. Required installation depth: 180mm.
- ③ Driver fits trough plasterkit. Required installation depth: 160mm.

Gear excluded
⌀ IP40

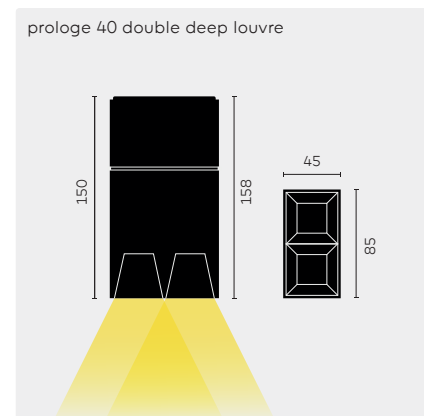
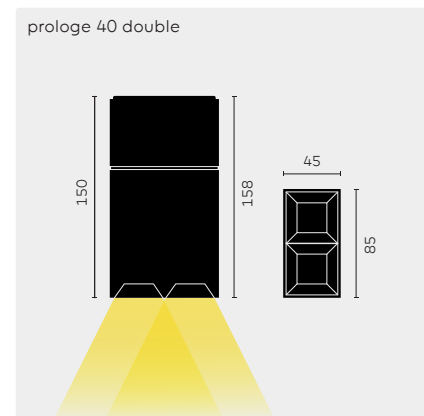
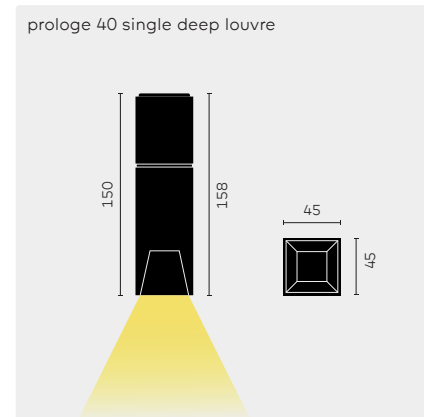
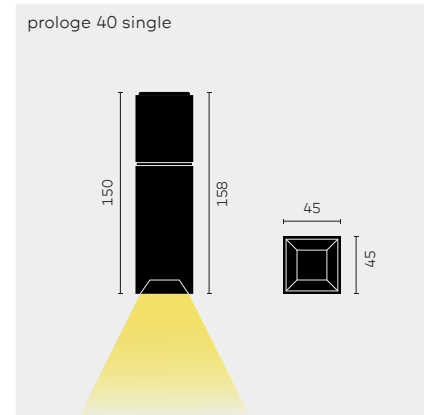
Plasterkit



Installation cover



kreon prologe 40



	Colour	KR-code	Light sources	9027 2700K, CRI90+	9030 3000K, CRI90+	SP Spot (20°)	FL Flood (30°)	WFL Wide flood (38°)	DL Dark light (40°) ①	WDL Wide dark light (76°) ①	EX Driver excluded	SW Switchable ON/OFF	PD Phase dimming	Optional accessories
prologe 40 single Driver: excl.	○	KR967141	①	●	●	●	●	●	●	●				■
	●	KR967142	①	●	●	●	●	●	●	●				■
prologe 40 single, deep louvre Driver: excl.	○	KR967241	②	●	●	●	●	●						■
	●	KR967242	②	●	●	●	●	●						■
prologe 40 double	○	KR967341	③	●	●	●	●	●	●	●	●	●	●	■
	●	KR967342	③	●	●	●	●	●	●	●	●	●	●	■
prologe 40 double, deep louvre Driver: excl.	○	KR967441	④	●	●	●	●	●			●			■
	●	KR967442	④	●	●	●	●	●			●			■

Optional accessories

Lenses and louvres for SP, FL, WFL

[KR762010](#) Anti-glare louvre

Driver (for prologe 40 single) ②

[KR772034](#) LED driver, 700mA, ON/OFF, 20W

[KR762902](#) LED driver, 700mA, 1-10V, 25W

[KR772430](#) LED driver, 700mA, phase dim, 14W

[KR772236](#) LED driver, 700mA, DALI, 18W

Driver (for prologe 40 double) ②

[KR772024](#) LED driver, 500mA, ON/OFF, 20W

[KR772220](#) LED driver, 500mA, 1-10V, 20W

[KR772542](#) LED driver, 500mA, phase dim, 18W

[KR752843](#) LED driver, 500mA, phase dim, 24W ③

[KR772126](#) LED driver, 500mA, DALI, 18W

[KR772123](#) LED driver, 500mA, DALI, 27W ③

Installation cover

[KR766101](#) Installation cover prologe 40 single, white

[KR766102](#) Installation cover prologe 40 single, black

[KR767241](#) Installation cover prologe 40 double, white

[KR767242](#) Installation cover prologe 40 double, black

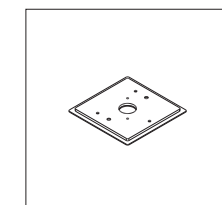
			CRI	CCT	Voltage	Wattage	Drive current	Fixture lumen
①	LED	FL	CRI90+	2700K/3000K		8,4W	700mA	547lm
			CRI90+	2700K/3000K		8,4W	700mA	380lm
②	LED	FL	CRI90+	2700K/3000K		8,4W	700mA	490lm
			CRI90+	2700K/3000K		12W	500mA	912lm
③	LED	EX	FL	CRI90+	2700K/3000K		500mA	912lm
				CRI90+	2700K/3000K		12W	500mA
	SW/PD	FL	CRI90+	2700K/3000K	230V	12W		912lm
			CRI90+	2700K/3000K	230V	12W		622lm
④	LED	EX	FL	CRI90+	2700K/3000K		500mA	747lm
				CRI90+	2700K/3000K		12W	500mA

REMARKS

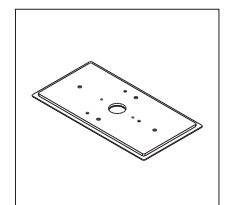
- ① Louvre for DL/WDL is always black
- ② Driver must be placed on remote
- ③ Driver for 2 devices

IP40

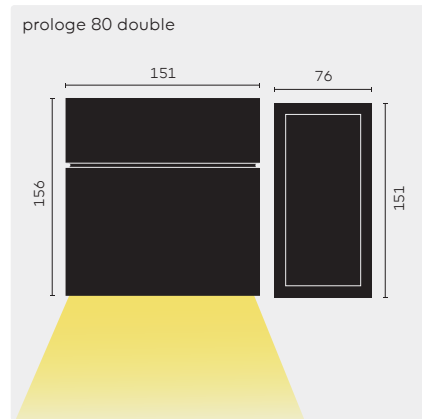
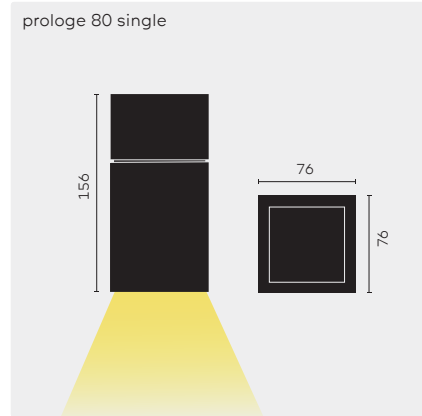
Installation cover prologe 40 single



Installation cover prologe 40 double



kreon prologe 80



	Colour	KR-code	Light sources	9027 2700K, CRI90+	9030 3000K, CRI90+	SW Switchable ON/OFF	Optional accessories
prologe 80 single fixed LED Gear: excl. ⚡	○	KR967121	①	●	●		■
	●	KR967122	①	●	●		■
prologe 80 single fixed LED Gear: incl.	○	KR967131	②	●	●	●	
	●	KR967132	②	●	●	●	
prologe 80 single fixed LED MR16 Gear: incl., lamp: excl.	○	KR968111	③				
	●	KR968112	③				
prologe 80 single fixed LED PAR16 Lamp: excl.	○	KR968131	④				
	●	KR968132	④				
prologe 80 double fixed LED Gear: excl. ⚡	○	KR967221	⑤	●	●		■
	●	KR967222	⑤	●	●		■
prologe 80 double fixed LED Gear: incl.	○	KR967231	⑥	●	●	●	
	●	KR967232	⑥	●	●	●	
prologe 80 double fixed LED MR16 Gear: incl., lamp: excl.	○	KR968211	③				
	●	KR968212	③				
prologe 80 double fixed LED PAR16 Lamp: excl.	○	KR968231	④				
	●	KR968232	④				

■ Optional accessories

Driver	KR-code	Description
	KR772024	LED driver, 500mA, ON/OFF, 20W
	KR772220	LED driver, 500mA, 1-10V, 20W
	KR772126	LED driver, 500mA, DALI, 18W
	KR772123	LED driver, 500mA, DALI, 27W ①

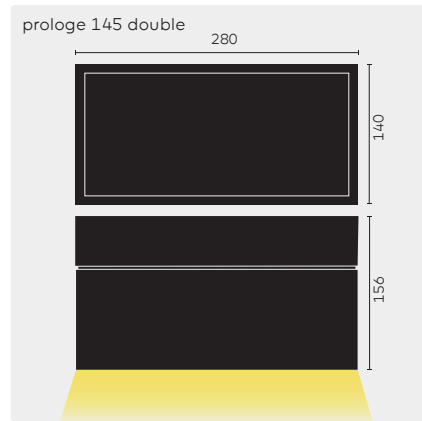
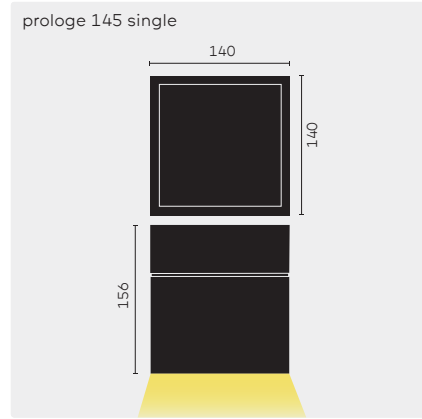
	CRI	CCT	Voltage	Wattage	Drive current	Fixture lumen
①	LED CRI90+	2700K/3000K		7,9W	500mA	697lm
②	LED CRI90+	2700K/3000K	230V	5,4W		480lm
③	LED MR16	fitting GU5,3	230V	(2x) 20W		
④	LED PAR16	fitting GU10	230V	(2x) 20W		
⑤	LED CRI90+	2700K/3000K		2 x 7,9W	500mA	1394lm
⑥	LED CRI90+	2700K/3000K	230V	2 x 5,4W		960lm

REMARKS

① Driver for 2 devices

IP20

kreon prologe 145



prologe 145 single directional
Gear: incl.



prologe 145 double directional
Gear: incl.

Colour	KR-code	Light sources	9027 2700K, CRI90+	9030 3000K, CRI90+	SP Spot (14°)	FL Flood (30°)	WFL Wide flood (38°)	SW Switchable ON/OFF	VD 1-10V dimming	DD DALI dimming	PD Phase dimming
○	<u>KR988651</u>	①	●	●	●	●	●	●	●	●	●
●	<u>KR988652</u>	①	●	●	●	●	●	●	●	●	●
○	<u>KR988751</u>	②	●	●	●	●	●	●	●	●	●
●	<u>KR988752</u>	②	●	●	●	●	●	●	●	●	●

			CRI	CCT	Voltage	Wattage	Fixture lumen
①	LED	FL	CRI90+	2700K/3000K	230V	12W	790lm
②	LED	FL	CRI90+	2700K/3000K	230V	2 x 12W	2x 790lm

REMARKS
IP20

kreon stripe 25

kreon stripe 25 is a versatile semi-recessed ceiling and wall luminaire characterised by a compact form hosting a single or double deepset downlight or a single wallwasher.

kreon stripe 25 combines small rhythmic pools of accent lighting with homogeneous wall washing light effects.

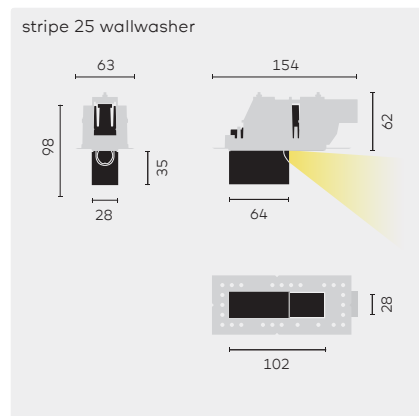
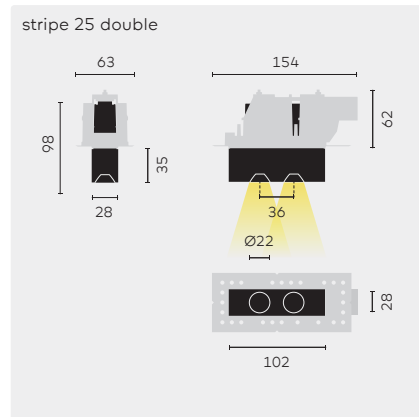
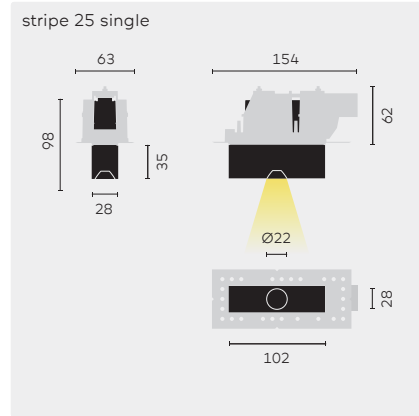
High efficient optics provide efficient, glare free light and even light distribution. Finished in black for a dramatic contrast or pure white to disappear in the surrounding architecture.

[↑ back to overview page ceiling luminaires](#)

stripe 25
200



kreon stripe 25



stripe 25 single

stripe 25 single

stripe 25 double

stripe 25 double

stripe 25 wallwasher

■ Required accessories

Plasterkit	KR739000	Plasterkit
Concrete installation box	KR775124	Concrete installation box
Concrete plate	KR775123	Concrete plate

■ Optional accessories

Driver for light sources ① ③ ⑤	KR762700	LED driver, 700mA, ON/OFF, 11W
	KR772232	LED driver, 700mA, 1-10V, 20W
	KR752633	LED driver, 700mA, DALI, 10W
	KR772633	LED driver, 700mA, DALI, 8W
	KR772931	LED driver, 700mA, Phase dim, 14W
Driver for light sources ② ④	KR739104	LED driver, 350mA, 15W, ON/OFF
	KR739102	LED driver, 350mA, 15W, 1-10V
	KR747162	LED driver, 350mA, 18W, 1-10V
	KR747266	LED driver, 350mA, 15W, DALI
	KR752743	LED driver, 350mA, 17W, Phase dim

		CRI	CCT	Wattage	Drive current	Fixture lumen	
①	LED	SP	CRI90+	2700K/3000K	2W	700mA	172lm
②	LED	DL	CRI90+	2700K/3000K	4,2W	350mA	255lm
③	LED	SP	CRI90+	2700K/3000K	4W	700mA	335lm
④	LED	DL	CRI90+	2700K/3000K	8,3W	350mA	455lm
⑤	LED		CRI90+	2700K/3000K	4W	700mA	249lm

REMARKS

- ① Driver does not fit through plasterkit and must be placed on remote.
 - ② Applicable when using at least 2 luminaires with light source ②.
 - ③ Driver fits trough plasterkit.
- Thickness boardmaterial for hollow wall/ceiling: 9-12,5mm
Gear excluded
IP20

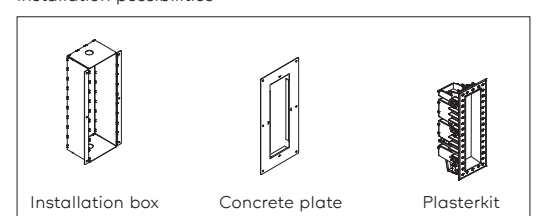
Installation possibilities

Required for installation in hollow wall: plasterkit

Required for installation in stone wall: concrete plate and plasterkit

Required for installation in concrete wall: installation box, concrete plate and plasterkit

Installation possibilities



kreon up

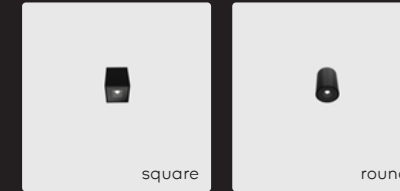
kreon up represents a collection of recessed floor luminaires with an IP67 rating, known for their simplistic design and outstanding optical performance. Available in square and circular shapes, the range offers three different sizes.

These luminaires feature a black or white backed toughened glass finish, accentuated by a satin stainless steel trim. LED modules are deep-set within the luminaires and are controlled using various options: anti-glare louvres for precise uplighting, brightness limiting diffusers for ambient or orientation lighting, and wallwash optics for vertical luminance. Additionally, the kreon up 40 variant is available as a surface mounted fixed downlight.

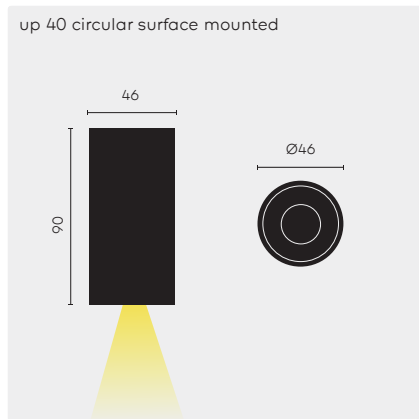
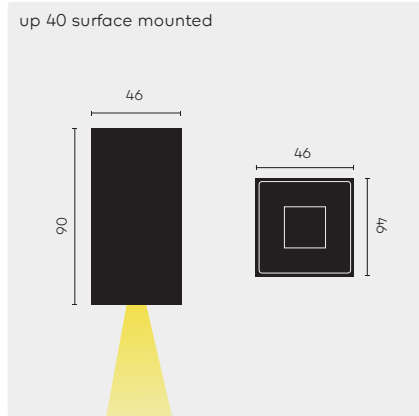
One of the notable advantages of kreon up is its stainless steel trim, which seamlessly integrates with the surroundings, creating a seamless connection. The units are fully sealed to meet the IP67 standard, offering robust protection against harsh environmental conditions. They are constructed with a combination of aluminum and plastic housing to ensure durability. Moreover, the maritime versions undergo special pre-treatment to maximize resistance against corrosion in salty environments.

[↑ back to overview page ceiling luminaires](#)

up 40
204



kreon up 40



Colour	KR-code	Light sources	9027 2700K, CRI90+	9030 2700K, CRI90+	SP Spot	FL Flood	SB Spot with baffle	FB Flood with baffle	Optional accessories
○	KR952011	①	●	●	●	●	●	●	■
●	KR952012	①	●	●	●	●	●	●	■
○	KR952911	①	●	●	●	●	●	●	■
●	KR952912	①	●	●	●	●	●	●	■

■ Optional accessories

Driver ①	Code	Description
	KR772630	LED driver, 700mA, ON/OFF, 30W (IP68)
	KR772850	LED driver, 700mA, ON/OFF, 7.5W (IP67) ③
	KR772752	LED driver, 700mA, 1-10V, 12W (IP67) ②
	KR772853	LED driver, 700mA, DALI, 30W (IP68)

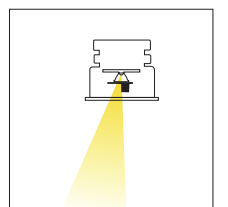
	CRI	CCT	Wattage	Drive current	Fixture lumen
① LED	CRI90+	2700K/3000K	2W	700mA	149lm

REMARKS

- ① Must be placed on remote.
- ② Driver can only be used for at least 4 fixtures.
- ③ Available until stock runs out.

Thickness boardmaterial:
9-18mm
Gear excluded
◆ IP67 - IK06

Baffle option



kreon wall luminaires

erubo	208
holon	212
onn	216
oran	220
rokko	226
side	230
side in-line	238
up	246
wabi	250

[↑ back to table of content](#)

kreon erubo

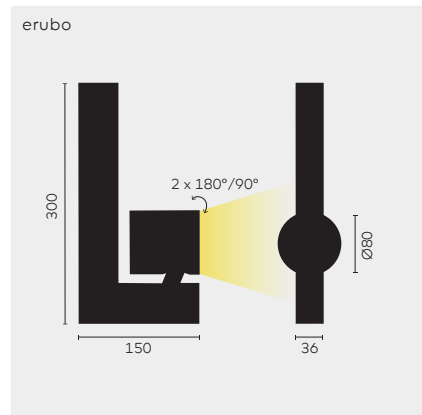
kreon erubo embodies a series of architectural spotlights characterised for their clean geometric shapes, housing cutting-edge LED light sources and electronic dimmable drivers.

With a wide array of output options and colour temperatures to choose from, kreon erubo offers exceptional versatility. You have the option to mount kreon erubo spotlights individually or utilize a track system, providing an excellent solution for illuminating displays in homes, shops, or galleries with exceptional flexibility.

[↑ back to overview page wall luminaires](#)

erubo
210





■ **Optional accessories**

Lenses

Colour	KR-code	Light sources	9027 2700K, CRI90+	9030 3000K, CRI90+	9040 4000K, CRI90+	9527 2700K, CRI98+	9530 3000K, CRI98+	9540 4000K, CRI98+	FL Flood (24°)	WFL Wide flood (38°)	PD Phase dimming	VD 1-10V dimming	DD DALI dimming	Optional accessories
○	<u>KR921635</u>	①	●	●	●	●	●	●	●	●	●	●	●	■
●	<u>KR921632</u>	①	●	●	●	●	●	●	●	●	●	●	●	■
			<p><u>KR762002</u> Anti-glare louvre</p>											

			CRI	CCT	Wattage	Fixture lumen
①	LED	FL 6	CRI90+	2700K/3000K/4000K	19W	1492lm
		WFL	CRI95+	2700K/3000K/4000K	19W	1276lm

REMARKS
Gear included.
IP40

kreon holon

kreon holon offers a range of cylindrical downlights characterised by its compact form and deep set LED position, providing a subtle feeling of light without a possible uncomfortable visual perception.

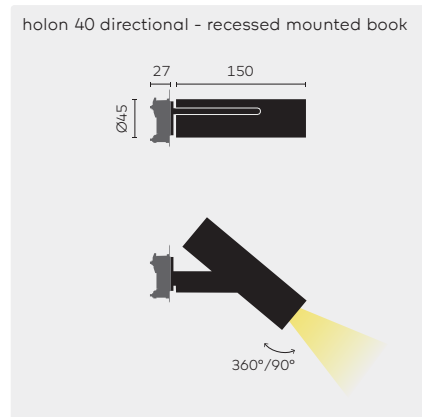
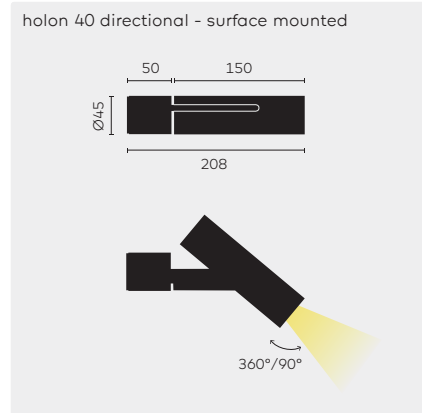
The range incorporates different LED modules and is available in three diameters to accommodate various spatial needs. Whether you prefer fixed or directional units, kreon holon provides a discreet yet functional lighting solution for both general and accent lighting in architectural spaces. The fixtures are available in black for a striking contrast or pure white for a seamless integration with the surroundings.

[↑ back to overview page wall luminaires](#)

holon 40
214



kreon holon 40



holon 40 directional surface mounted book

Gear: excl.

holon 40 directional recessed mounted book

Gear: excl.

Required accessories

Installation kit

Plasterkit

Optional accessories

Driver

Installation cover

Lenses and louvres for FL

Colour
KR-code
Light sources
9027
2700K, CRI90+
FL Flood (30°)
DL Dark light (38°) ①
Required accessories
Optional accessories

○	KR962401	①	●	●	●	■	■
●	KR962402	①	●	●	●	■	■
○	KR962801	①	●	●	●	■	■
●	KR962802	①	●	●	●	■	■

KR707100 Installation kit Ø40, trimless, back installation, 13+mm panel

KR707102 Installation kit Ø40, trimless, back installation

KR707104 Plasterkit, trimless finish, for holon 40 directional recessed mounted book ⌀ Ø63

KR762700 LED driver, 700mA, ON/OFF, 1,4-11W ②

KR762902 LED driver, 700mA, 1-10V, 6,3-25W (IP67) ②

KR752633 LED driver, 700mA, DALI, 1,75-10W ③

KR772633 LED driver, 700mA, DALI, 1,5-8,4W ②

KR762501 Installation cover, white

KR762502 Installation cover, black

KR762000 Anti-glare louvre

KR762200 Diffusing lens

		CRI	CCT	Voltage	Wattage	Drive current	Fixture lumen
①	FL	CRI90+	2700K		8,4W	700mA	558lm
	darklight	CRI90+	2700K		8,4W	700mA	417lm

REMARKS

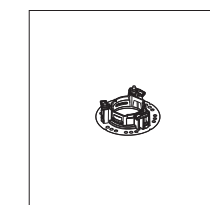
① Only available in combination with black louvre and CRI90+

② Driver fits through the installation hole of the kreon holon 40 directional, recessed mounted. Minimum installation depth is 180mm.

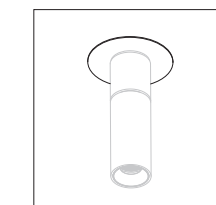
③ Should be placed on remote.

◆ IP40

Plasterkit



Installation cover

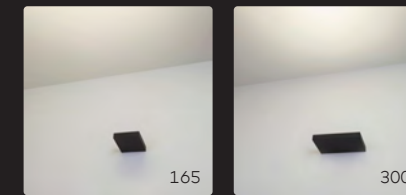


kreon onn

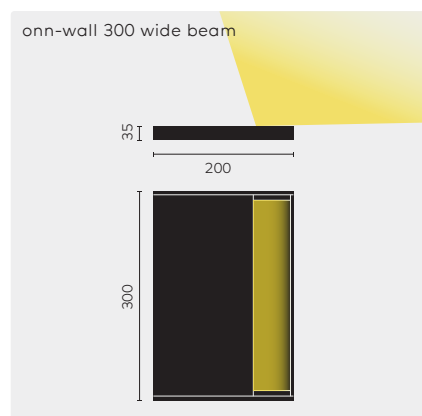
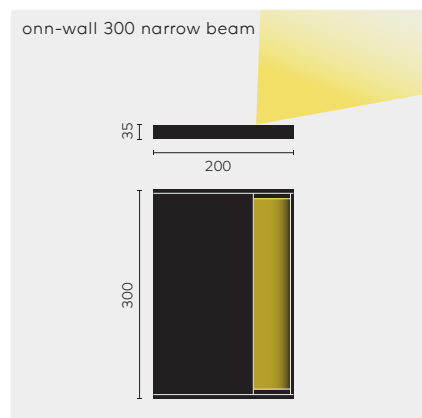
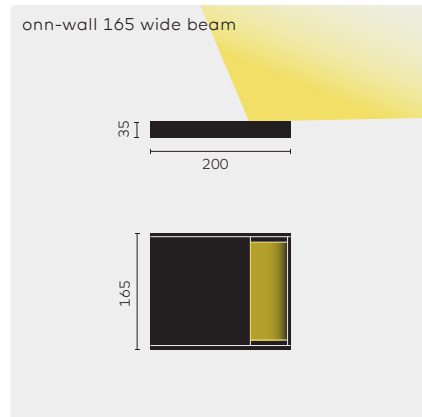
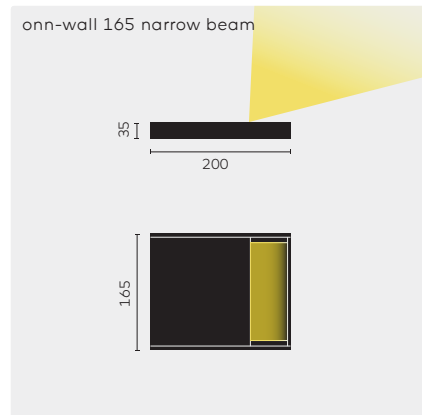
kreon onn is a wall mounted uplighter with a unique optical system that is optimised to throw light away from the wall and into the room, yet is presented in the most purest and simple compact forms. It is available in two sizes and is finished with a choice of matt black or pure white.

[↑ back to overview page wall luminaires](#)

onn-wall
218




kreon onn-wall



 **onn-wall 165 narrow beam**
1-10V gear incl.

 **onn-wall 165 narrow beam**
DALI gear incl.

 **onn-wall 165 wide beam**

 **onn-wall 300 narrow beam**
1-10V gear incl.

 **onn-wall 300 narrow beam**
DALI gear incl.

 **onn-wall 300 wide beam**

Colour	KR-code	Light sources	9027 2700K, CRI90+	9030 3000K, CRI90+	VD 1-10V dimming	DD DALI dimming
○	KR983511	①				
●	KR983512	①				
○	KR983311	①				
●	KR983312	①				
○	KR983411	②	●	●	●	●
●	KR983412	②	●	●	●	●
○	KR983521	③				
●	KR983522	③				
○	KR983321	③				
●	KR983322	③				
○	KR983421	④	●	●	●	●
●	KR983422	④	●	●	●	●

		CRI	CCT	Voltage	Wattage	Fixture lumen
①	LED	CRI80+	2700K/3000K	230V	8,6W	664lm
②	LED	CRI90+	2700K/3000K	230V	23,5W	1590lm
③	LED	CRI80+	2700K/3000K	230V	17,2W	1328lm
④	LED	CRI90+	2700K/3000K	230V	47W	3180lm

REMARKS

IP40

kreon oran

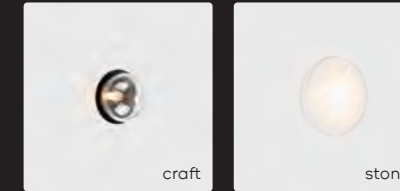
In 2018 kreon launched its first ornamental line with kreon oran craft. For the design of kreon oran craft our designers chose to switch gears. Without losing sight of the basic principles of 'unity in design, simplicity in techniques, and precision in detail'.

kreon oran pendant craft is a range of pendant luminaires with moth-blown glass bulbs. The bulbs come in 2 sizes: a sphere bulb and a long bulb.

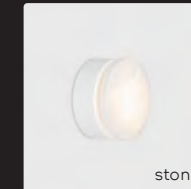
kreon oran craft consists of pendant, ceiling/wall luminaires and a table light. The luminaires are available in black and white, or in pure materials such as bronze. The mouth-blown bulbs come in two shapes, spherical or long-shaped. The pendant is optionally covered by a lampshade.

[↑ back to overview page wall luminaires](#)

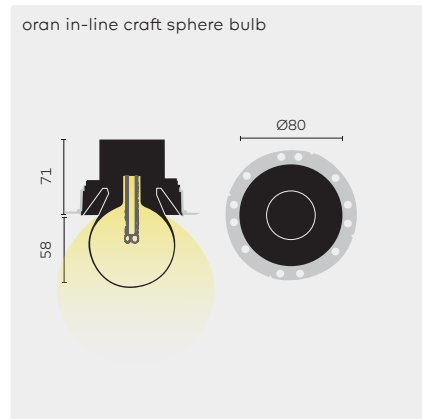
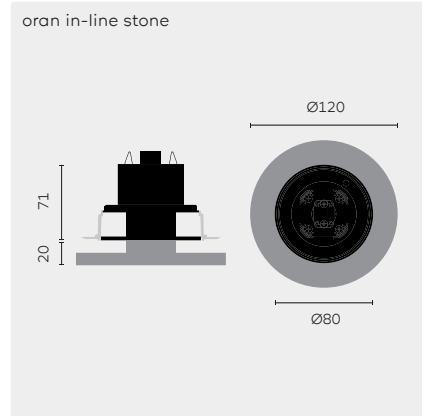
oran in-line
222



oran wall
224



kreon oran in-line craft - stone



oran in-line stone ①
⊘ Ø 102



oran in-line craft sphere bulb
⊘ Ø 77



oran in-line craft long ampoule
⊘ Ø 77

KR-code	Light sources	9027 2700K, CRI90+	9030 3000K, CRI90+	Required accessories	Optional accessories
---------	---------------	-----------------------	-----------------------	----------------------	----------------------

■ Required accessories

Plasterkit

KR717104 Plasterkit, front mounting, no shadowgap

KR717108 Plasterkit, front mounting, shadowgap

KR717108 Plasterkit, back mounting, no shadowgap

Plasterkit concrete

KR717102 Plasterkit for concrete installation, no shadowgap, small (200x200)

KR717107 Plasterkit for concrete installation, shadowgap, small (200x200)

Installation kit

KR717100 Installation kit, back mounting

Louvre (only for KR991102 & KR991105)

KR717106 Louvre, white

KR717122 Louvre, black

KR717124 Louvre, brushed bronze

KR717127 Louvre, brushed silver

KR717128 Louvre, brushed gold

KR717129 Louvre, gun black

■ Optional accessories

Driver

KR772024 LED driver, 700mA, ON/OFF, 20W

KR772232 LED driver, 700mA, 1-10V, 20W

KR772236 LED driver, 700mA, DALI, 18W

KR772433 LED driver, 700mA, phase dim, 10W

Distance ring (for plasterkit concrete)

KR717307 Distance ring 2mm (set of 5 pcs.)

KR717308 Distance ring 3mm (set of 5 pcs.)

KR717309 Distance ring 5mm (set of 5 pcs.)

	CRI	CCT	Wattage	Drive current	Fixture lumen ②
① LED	CRI90+	2700K/3000K	6,7W	700mA	68lm
② LED	CRI90+	2700K/3000K	6,7W	700mA	282lm

REMARKS

① Protect the alabaster block against direct sunlight and temperatures above 50°C.

② Lumen output may vary due to the use of natural products.

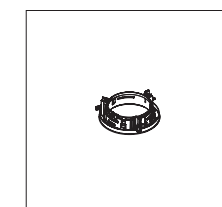
The stated dimensions of the glass and alabaster are only to be used as a reference. Actual dimensions may vary. Each unit is unique due to the artisanal production technique.

See page 610 for more information about different installation kits.

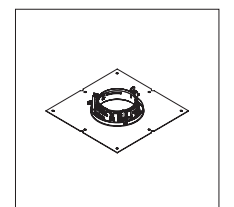
Thickness boardmaterial: 9-26mm

Gear excluded.
⊘ IP40

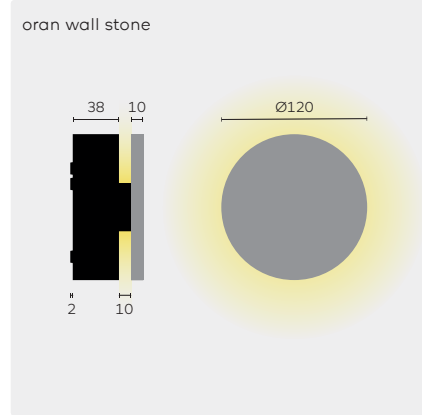
Plasterkit



Plasterkit concrete



kreon oran wall stone



oran wall stone ①
Gear: incl. ②

KR-code	Light sources
KR991251	9027 2700K, CRI90+ 9030 3000K, CRI90+

	CRI	CCT	Voltage	Wattage	Fixture lumen ②
① LED	CRI90+	2700K/3000K	230V	6,7W	68lm

REMARKS

- ① Protect the alabaster block against direct sunlight and temperatures above 50°C.
- ② Lumen output may vary due to the use of natural products.

IP40

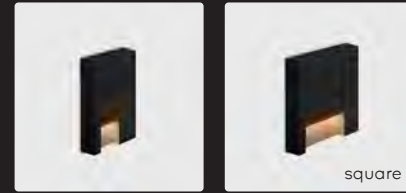
kreon rokko

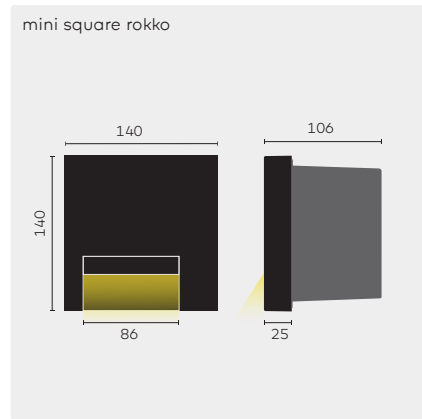
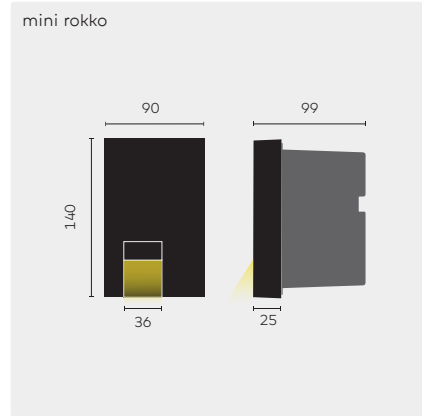
kreon rokko is a black or white semi-recessed IP65 luminaire that produces a soft gradient light and is ideal for pathway and orientation lighting.

Whether used indoors or outdoors kreon rokko can create a formal continuity in architecture from the interior to the exterior of high end residential or hospitality projects. kreon mini rokko and kreon mini square rokko can be installed in brickwork or cavity walls and require a minimum depth.

[↑ back to overview page wall luminaires](#)

mini rokko
228





■ **Optional accessories**

Installation set

Concrete pouring mould

Driver

Colour
KR-code
Light sources
Optional accessories

○	KR943021-B	①	■
●	KR943022-B	①	■
○	KR943121-B	②	■
●	KR943122-B	②	■
○	KR943321-B	③	■
●	KR943322-B	③	■

KR743002 Plasterboard installation set

KR743004 Concrete pouring mould for mini rokko

KR743304 Concrete pouring mould for mini square rokko

KR772034 LED driver, 700mA, ON/OFF, 20W

KR772232 LED driver, 700mA, 1-10V, 20W

KR752633 LED driver, 700mA, DALI, 10W

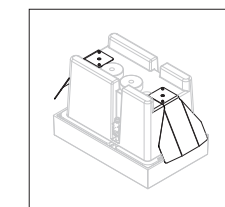
	CRI	CCT	Voltage	Wattage	Drive current	Fixture lumen
① LED	CRI80+	2700K		2,3W	700mA	84lm
② LED	CRI80+	2700K	230V	2,3W		84lm
③ LED	CRI80+	2700K	230V	6,9W		169lm

REMARKS

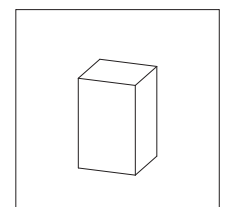
① 1 driver (6W) can power up to 2 fittings.

IP65

Installation set



Concrete pouring mould



kreon side

The kreon side concept originated from the need to provide ambient and placement lighting from within vertical surfaces.

The faceted reflectors ensure a uniform asymmetrical beam without any harsh edges or concentrated hotspots. They also create a gentle wash of light that, when mounted downwards, aids in spatial orientation, or when mounted upwards, generates a ceiling illumination that effectively enhances the overall ambient lighting within an interior.

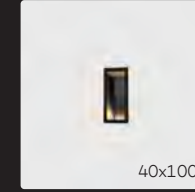
A soft yet striking light beam and the steep bevel of the finishing louvre draws attention to the straight vertical back surface which can be customized with various materials based on the designer's preference. kreon side, available in widths of 25, 40, and 80 mm, can be merged perfectly into the architecture with a slim trim finishing the edges of the luminaire.

[↑ back to overview page wall luminaires](#)

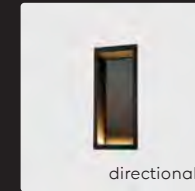
side 25
232



side 40
234

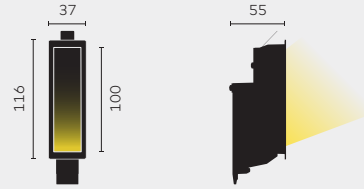


side 80
236



kreon side 25

side 25 x 100



Required accessories

Removal tool ③

Optional accessories

Concrete plate

Concrete installation box

Driver

Colour louver	KR-code	Light sources	9027 2700K, CRI90+	9030 3000K, CRI90+	P1 Painted white backplate	P2 Painted black backplate	A2 Alu black backplate	A3 Alu grey backplate	A4 Alu bronze backplate	A5 Copper backplate	A6 Alu red backplate	Required accessories	Optional accessories
---------------	---------	---------------	-----------------------	-----------------------	-------------------------------	-------------------------------	---------------------------	--------------------------	----------------------------	------------------------	-------------------------	----------------------	----------------------

○	<u>KR932111</u>	①	●	●	●	●	●	●	●	●	●	■	■
●	<u>KR932112</u>	①	●	●	●	●	●	●	●	●	●	■	■

KR775008

Removal tool for side in-line 80 ③

KR732113

Concrete plate for side 25 x 100 ④ LxW 190x70 D 60

KR775124

Concrete installation box for side 25 x 100 ④ LxW 200x110 D 60

KR772820

LED driver, 500mA, ON/OFF, 11W ②

KR772220

LED driver, 500mA, 1-10V, 20W ②

KR772813

LED driver, 500mA, DALI, 10W ②

	CRI	CCT	Wattage	Drive current	Fixture lumen
① LED	CRI90+	2700K/3000K	2,75W	500mA	158lm

REMARKS

① To be used in maintenance. One per project is recommended.

② Driver fits in the concrete plate of kreon side 25x100.

Thickness boardmaterial:
9-12,5mm

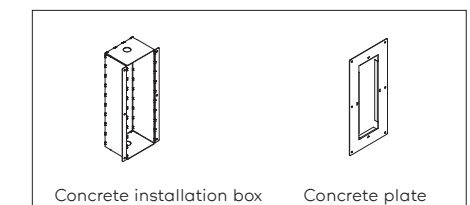
Cut-out dimensions for hollow wall.
For other applications,
see installation manual.

Installation possibilities

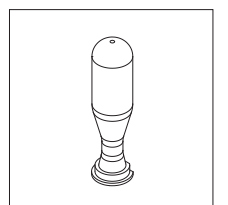
Recommended for seamless
installation in stone wall:
concrete plate

Recommended for seamless
installation in concrete wall:
concrete plate + installation box

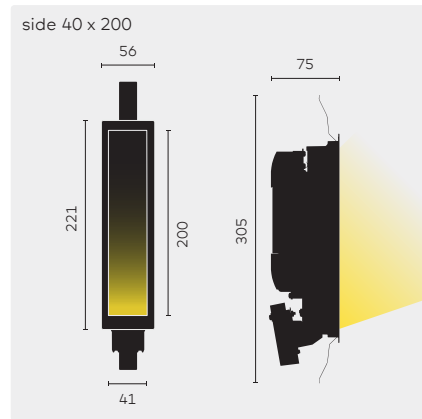
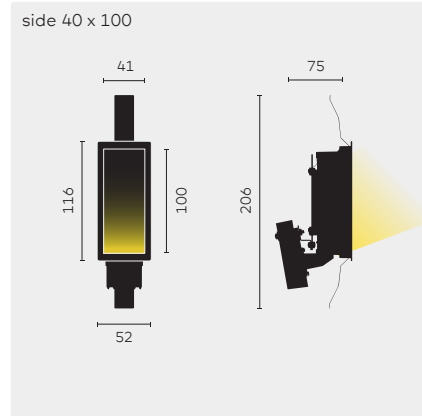
Installation possibilities



Removal tool



kreon side 40



	Colour louvre	KR-code	Light sources	9027 2700K, CRI90+	9030 3000K, CRI90+	SW Switchable ON/OFF	DD DALI dimming	P1 Painted white backplate	P2 Painted black backplate	A2 Alu black backplate	A3 Alu grey backplate	A4 Alu bronze backplate	A5 Copper backplate	A6 Alu red backplate	Required accessories	Optional accessories
side 40 x 100 Gear: excl., IP55 ①	○	KR932311	①	●	●			●	●	●	●	●	●	●	■	■
	●	KR932312	①	●	●			●	●	●	●	●	●	●	■	■
side 40 x 200 Gear: excl., IP55 ①	○	KR932411	①	●	●			●	●	●	●	●	●	●	■	■
	●	KR932412	①	●	●			●	●	●	●	●	●	●	■	■
side 40 x 200 Gear: incl., IP20	○	KR932511	②	●	●	●	●	●	●	●	●	●	●	●	■	■
	●	KR932512	②	●	●	●	●	●	●	●	●	●	●	●	■	■

Required accessories

Removal tool ③	KR775008	Removal tool for side in-line 80 ③
----------------	--------------------------	------------------------------------

Optional accessories

Concrete plate	KR732313	Concrete plate for side 40 x 100 ④ LxW 190x90 D 80
	KR732413	Concrete plate for side 40 x 200 ④ LxW 290x90 D 80
Concrete installation box	KR775324	Concrete installation box for side 40 x 100 ④ LxW 200x110 D 85
	KR775424	Concrete installation box for side 40 x 200 ④ LxW 300x110 D 85
Driver for side 40x100 gear excl.	KR762700	LED driver, 700mA, ON/OFF, max. 11W ⑤
	KR772232	LED driver, 700mA, 1-10V, max. 20W ⑤
	KR752633	LED driver, 700mA, DALI, max. 10W ⑤

	CRI	CCT	Voltage	Wattage	Drive current	Fixture lumen
① LED	CRI90+	2700K/3000K		4W	700mA	242lm
② LED	CRI90+	2700K/3000K	230V	4W		242lm

REMARKS

① Suitable for damp locations and ventilated outdoor facades. Cannot be used in bathtub or shower areas, nor in maritime environments.

② To be used in maintenance. One per project is recommended.

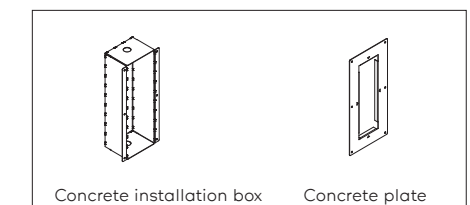
③ Driver fits in the concrete plate of kreon side 40x200.

Thickness boardmaterial: 9-12,5mm
Cut-out dimensions for hollow wall. For other applications, see installation manual.

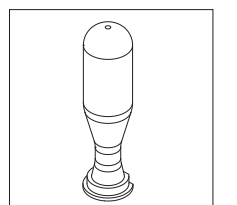
Installation possibilities
Recommended for seamless installation in stone wall: concrete plate

Recommended for seamless installation in concrete wall: concrete plate + installation box

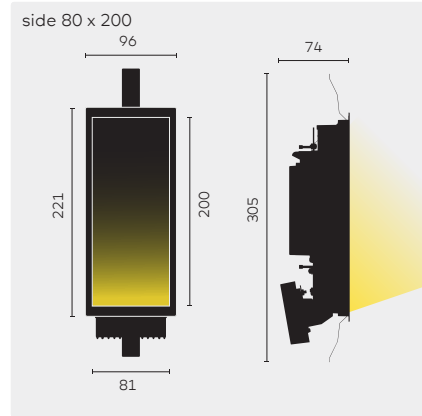
Installation possibilities



Removal tool



kreon side 80



	Colour louvre	KR-code	Light sources	9027 2700K, CRI90+	9030 3000K, CRI90+	EX Gear excluded	SW Switchable ON/OFF	VD 1-10V dimming	DD DALI dimming	P1 Painted white backplate	P2 Painted black backplate	A2 Alu black backplate	A3 Alu grey backplate	A4 Alu bronze backplate	A5 Alu copper backplate	A6 Alu red backplate	Required accessories	Optional accessories
	○	KR932611	①	●	●		●	●	●	●	●	●	●	●	●	●	■	■
	●	KR932612	①	●	●		●	●	●	●	●	●	●	●	●	●	●	■
	○	KR932601	①	●	●		●			●	●	●	●	●	●	●	■	■
	●	KR932602	①	●	●		●			●	●	●	●	●	●	●	●	■
	○	KR932601	②	●	●	●				●	●	●	●	●	●	●	■	■
	●	KR932602	②	●	●	●				●	●	●	●	●	●	●	●	■
■ Required accessories																		
Removal tool ③		KR775008	Removal tool for side in-line 80 ③															
■ Optional accessories																		
Concrete plate		KR732613	Concrete plate for side 80 ④ LxW 290x130 D 80															
Concrete installation box		KR775624	Concrete installation box for side 80 ④ LxW 300x150 D 85															
Driver		KR772024	LED driver, 500mA, ON/OFF, 20W															
		KR772220	LED driver, 500mA, 1-10V, 20W															
		KR772126	LED driver, 500mA, DALI, 18W															

	CRI	CCT	Voltage	Wattage	Drive current	Fixture lumen
① LED	CRI90+	2700K/3000K	230V	8,25W		613lm
② LED	CRI90+	2700K/3000K		8,25W	500mA	613lm

REMARKS

① Suitable for damp locations and ventilated outdoor facades. Cannot be used in bathtub or shower areas, nor in maritime environments.

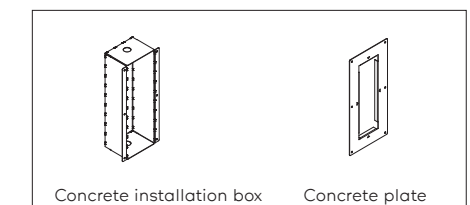
② To be used in maintenance. One per project is recommended.

Thickness boardmaterial: 9-12,5mm
Cut-out dimensions for hollow wall. For other applications, see installation manual.

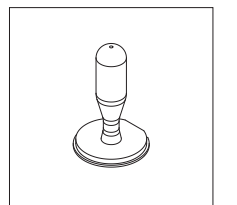
Installation possibilities
Recommended for seamless installation in stone wall: concrete plate

Recommended for seamless installation in concrete wall: concrete plate + installation box

Installation possibilities



Removal tool



kreon side in-line

The concept of kreon side in-line emerged from the necessity to offer ambient and placement lighting embedded within vertical surfaces.

The faceted reflectors ensure a uniform asymmetrical beam without any harsh edges or concentrated hotspots. They also create a gentle wash of light that, when mounted downwards, aids in spatial orientation, or when mounted upwards, generates a ceiling illumination that effectively enhances the overall ambient lighting within an interior.

A soft yet striking light beam and the steep bevel of the finishing louvre draws attention to the straight vertical back surface which can be customized with various materials based on the designer's preference. kreon side, available in widths of 25, 40, and 80 mm, seamlessly integrates into the architectural design and can be effortlessly combined with other kreon luminaires.

[↑ back to overview page wall luminaires](#)

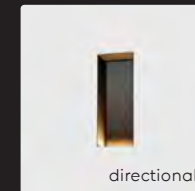
side in-line 25
240



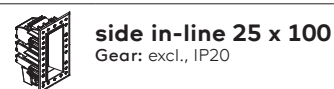
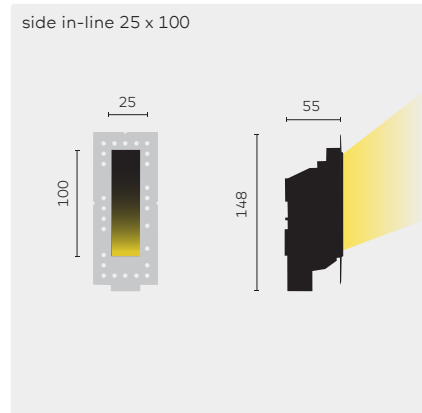
side in-line 40
242



side in-line 80
244



kreon side in-line 25



Required accessories

Plasterkit

KR775120	Plasterkit for side in-line 25 x 100 ☉ LxW 124x51 D 58
KR775120-10	10 pieces plasterkit for side in-line 25 x 100 ☉ LxW 124x51 D 58
KR775123	Concrete plate for side in-line 25 x 100 ☉ LxW 190x134 D 10
KR775124	Concrete installation box for side in-line 25 x 100 ☉ LxW 200x110 D 60

Removal tool

KR775002	Removal tool for side in-line 25 ①
-----------------	------------------------------------

Optional accessories

Driver ②

KR772820	LED driver, 500mA, ON/OFF, 11W
KR772220	LED driver, 500mA, 1-10V, 12W
KR772813	LED driver, 500mA, DALI, 10W

Colour louvre	KR-code	Light sources	9027 2700K, CRI90+	9030 3000K, CRI90+	P1 Painted white backplate	P2 Painted black backplate	A2 Alu black backplate	A3 Alu grey backplate	A4 Alu bronze backplate	A5 Copper backplate	A6 Alu red backplate	Required accessories	Optional accessories
○	KR932121	①	●	●	●	●	●	●	●	●	●	■	■
●	KR932122	①	●	●	●	●	●	●	●	●	●	■	■

	CRI	CCT	Voltage	Wattage	Drive current	Fixture lumen
① LED	CRI90+	2700K/3000K	5,5 Vdc	2,75W	500mA	158lm

REMARKS

- ① To be used in maintenance. One per project is recommended.
- ② Driver fits in the plasterkit of kreon side in-line 25x100.

Thickness boardmaterial: 9-12,5mm
Cut-out dimensions for hollow wall. For other applications, see installation manual.

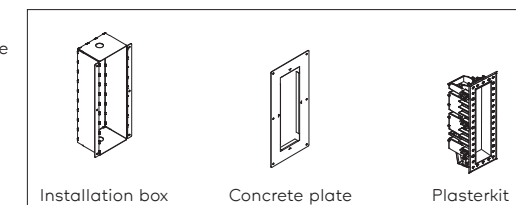
Installation possibilities

Required for installation in hollow wall: plasterkit

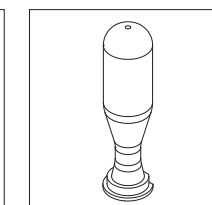
Required for installation in stone wall: plasterkit and concrete plate

Required for installation in concrete wall: plasterkit, concrete plate and installation box

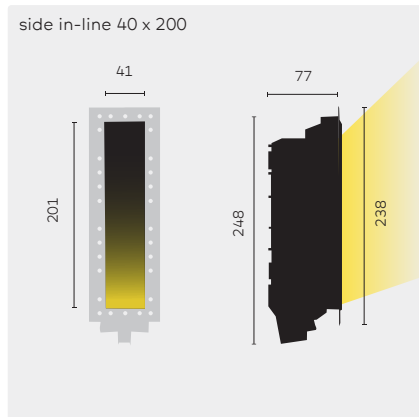
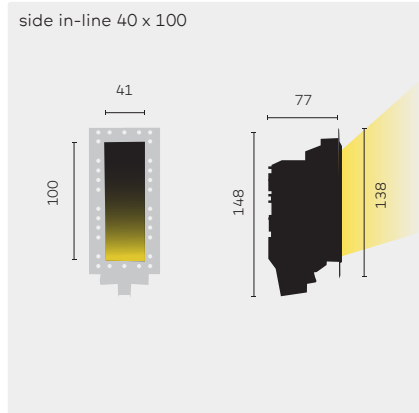
Installation possibilities



Removal tool



kreon side in-line 40



side in-line 40 x 100

Gear: excl., IP55 ①

side in-line 40 x 200

Gear: excl., IP55 ①

side in-line 40 x 200

Gear: incl., IP20

Required accessories

Plasterkit

KR775320	Plasterkit for side in-line 40 x 100 ☉ LxW 124x65 D 80
KR775320-10	10 pieces plasterkit for side in-line 40 x 100 ☉ LxW 124x65 D 80
KR775420	Plasterkit for side in-line 40 x 200 ☉ LxW 220x105 D 80
KR775420-10	10 pieces plasterkit for side in-line 40 x 200 ☉ LxW 220x105 D 80
KR775420-30	30 pieces plasterkit for side in-line 40 x 200 ☉ LxW 220x105 D 80
KR775323	Concrete plate for side in-line 40 x 100 ☉ LxW 190x134 D 10
KR775423	Concrete plate for side in-line 40 x 200 ☉ LxW 290x134 D 10
KR775324	Concrete installation box for side in-line 40 x 100 ☉ LxW 200x110 D 85
KR775424	Concrete installation box for side in-line 40 x 200 ☉ LxW 300x110 D 85

Removal tool

KR775004	Removal tool for side in-line 40 ②
-----------------	------------------------------------

Optional accessories

Driver ③

KR762700	LED driver, 700mA, ON/OFF, max. 11W
KR772232	LED driver, 700mA, 1-10V, max. 20W
KR752633	LED driver, 700mA, DALI, max. 10W

	CRI	CCT	Voltage	Wattage	Drive current	Fixture lumen
① LED	CRI90+	2700K/3000K	5,6 Vdc	4W	700mA	242lm
② LED	CRI90+	2700K/3000K	230V	4W	700mA	242lm

REMARKS

- ① Suitable for damp locations and ventilated outdoor facades. Cannot be used in bathtub or shower areas.
- ② To be used in maintenance. One per project is recommended.
- ③ Driver fits in the plasterkit of kreon side in-line 40x200.

Thickness boardmaterial: 9-12,5mm
Cut-out dimensions for hollow wall. For other applications, see installation manual.

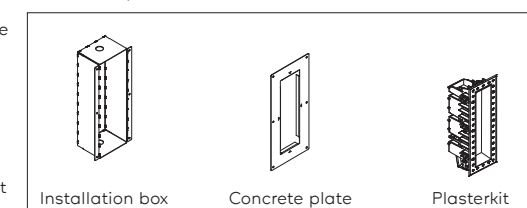
Installation possibilities

Required for installation in hollow wall: plasterkit

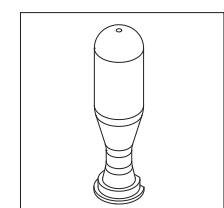
Required for installation in stone wall: plasterkit and concrete plate

Required for installation in concrete wall: plasterkit, concrete plate and installation box. In this case, the driver must be placed on remote.

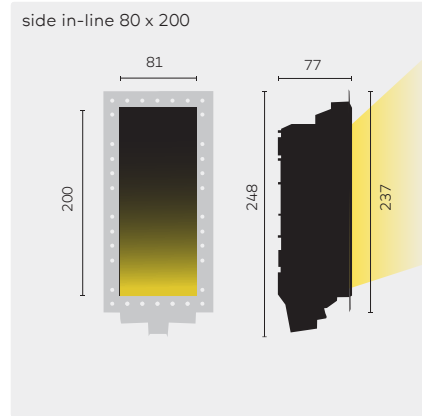
Installation possibilities



Removal tool



kreon side in-line 80



	Colour louvre	KR-code	Light sources	9027 2700K, CRI90+	9030 3000K, CRI90+	EX Gear excluded	SW Switchable ON/OFF	VD 1-10V dimming	DD DALI dimming	P1 Painted white backplate	P2 Painted black backplate	A2 Alu black backplate	A3 Alu grey backplate	A4 Alu bronze backplate	A5 Alu copper backplate	A6 Alu red backplate	Required accessories	Optional accessories
side in-line 80 x 200 Gear: incl., IP20	○	KR932621	①	●	●		●	●	●	●	●	●	●	●	●	●	■	■
	●	KR932622	①	●	●		●	●	●	●	●	●	●	●	●	●	●	■
side in-line 80 x 200 Gear: incl., IP55	○	KR932631	①	●	●		●			●	●	●	●	●	●	●	■	■
	●	KR932632	①	●	●		●			●	●	●	●	●	●	●	●	■
side in-line 80 x 200 Gear: excl., IP55	○	KR932631	①	●	●	●				●	●	●	●	●	●	●	■	■
	●	KR932632	①	●	●	●				●	●	●	●	●	●	●	●	■

■ Required accessories		
Plasterkit	KR775620	Plasterkit for side in-line 80 LxW 220x105 D 80
	KR775620-10	10 pieces plasterkit for side in-line 80 LxW 220x105 D 80
	KR775620-20	20 pieces plasterkit for side in-line 80 LxW 220x105 D 80
	KR775623	Concrete plate for side in-line 80 LxW 290x174 D 10
	KR775624	Concrete installation box for side in-line 80 LxW 300x150 D 85
Removal tool	KR775008	Removal tool for side in-line 80

■ Optional accessories		
Driver	KR772024	LED driver, 500mA, ON/OFF, 20W
	KR772220	LED driver, 500mA, 1-10V, 20W
	KR772126	LED driver, 500mA, DALI, 18W

REMARKS

① Suitable for damp locations and ventilated outdoor facades. Cannot be used in bathtub and shower areas.

② Internal driver
IP20 + SW: 20W, 500mA
IP55 + SW: 30W, 500mA

③ To be used in maintenance. One per project is recommended.

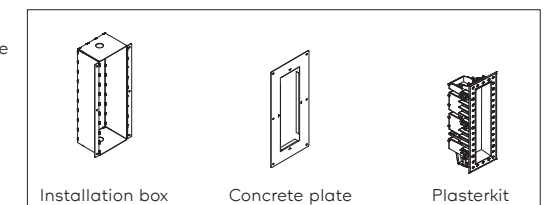
Thickness boardmaterial:
9-12,5mm
Cut-out dimensions for hollow wall. For other applications, see installation manual.

Installation possibilities
Required for installation in hollow wall: plasterkit

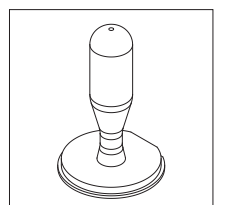
Required for installation in stone wall: plasterkit and concrete plate

Required for installation in concrete wall: plasterkit, concrete plate and installation box

Installation possibilities



Removal tool



kreon up

kreon up represents a collection of recessed floor luminaires with an IP67 rating, known for their simplistic design and outstanding optical performance. Available in square and circular shapes, the range offers three different sizes.

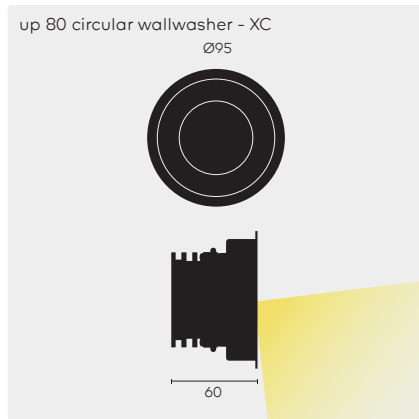
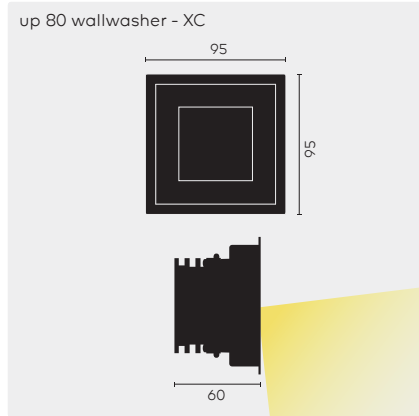
These luminaires feature a black or white backed toughened glass finish, accentuated by a satin stainless steel trim. LED modules are deep-set within the luminaires and are controlled using various options: anti-glare louvres for precise uplighting, brightness limiting diffusers for ambient or orientation lighting, and wallwash optics for vertical luminance. Additionally, the kreon up 40 variant is available as a surface mounted fixed downlight.

One of the notable advantages of kreon up is its stainless steel trim, which seamlessly integrates with the surroundings, creating a seamless connection. The units are fully sealed to meet the IP67 standard, offering robust protection against harsh environmental conditions. They are constructed with a combination of aluminum and plastic housing to ensure durability. Moreover, the maritime versions undergo special pre-treatment to maximize resistance against corrosion in salty environments.

[↑ back to overview page wall luminaires](#)

up 80
248





	Colour	KR-code	Light sources	9027 2700K, CRI90+	9030 3000K, CRI90+	WW wallwasher	Required accessories	Optional accessories
up 80	○	KR952131	①	●	●	●	■	■
	●	KR952132	①	●	●	●	■	■
up 80 circular	○	KR952631	①	●	●	●	■	■
	●	KR952632	①	●	●	●	■	■

■ **Required accessories**

Removal tool	KR752110	Suction cup ②
--------------	--------------------------	---------------

■ **Optional accessories**

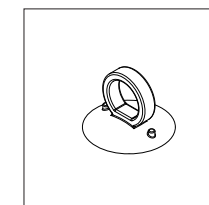
Matchbox	KR752303	Matchbox up 80
	KR752803	Matchbox up 80 circular
Driver ①	KR772630	LED driver, 700mA, ON/OFF, 30W (IP68)
	KR772752	LED driver, 700mA, 1-10V, 12W (IP67)
	KR772753	LED driver, 700mA, DALI, 35W (IP68)

		CRI	CCT	Wattage	Drive current	Fixture lumen
① LED	FL	CRI90+	2700K/3000K	8,4W	700mA	341lm
	DF	CRI90+	2700K/3000K	8,4W	700mA	111lm
	WW	CRI90+	2700K/3000K	4W	700mA	263lm

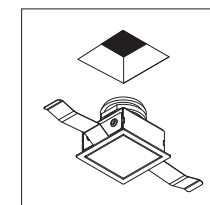
REMARKS
 ① Must be placed on remote.
 ② To be used in maintenance.
 One per project is recommended.

Gear excluded
 ◆ IP67 - IK09

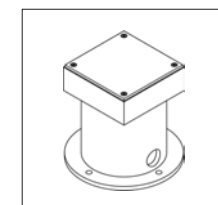
Suction cup



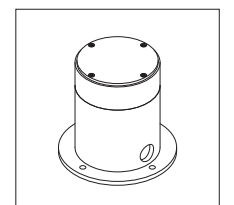
XC



Matchbox up 80



Matchbox up 80 circular



kreon wabi

kreon wabi, elegantly designed outdoor luminaires that bring tranquility to any outdoor setting.

kreon wabi is a family of outdoor spotlights and bollard luminaires. The range consists of kreon wabi, a directional spotlight, kreon wabi bollard a bollard based outdoor spotlight, kreon wabi wall a shielded wall luminaire and brand new to the range, kreon wabi pillar, a residential pathway bollard.

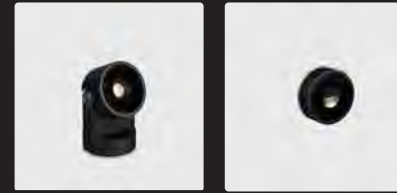
The name “wabi” is derived from the popular Japanese term wabi-sabi. Wabi connotes rustic simplicity, freshness or quietness, and can be applied to both natural and human-made objects, or understated elegance.

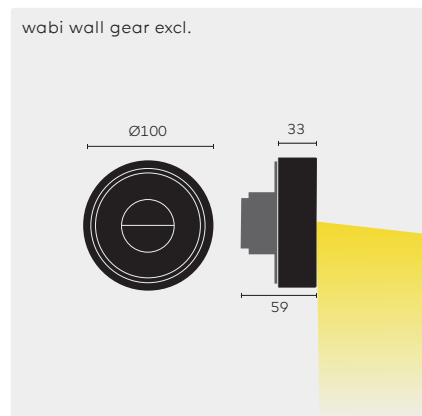
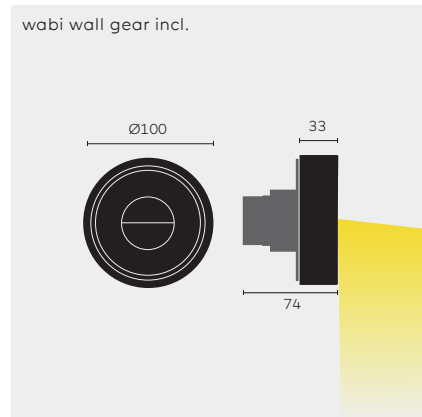
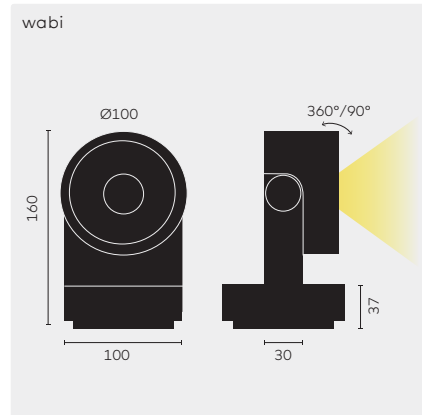
An important principle of a wabi-sabi lifestyle is minimalism. This trend is turning against the consumer society and prefers sparsely furnished spaces. A wabi sabi interior provides a feeling of peace and harmony.

The kreon wabi family brings tranquility to outdoor spaces. The simple, elegantly designed kreon wabi lighting fixtures ensure a pleasant light distribution and blend perfectly with its environment, so that nature and architecture take center stage. As a result, kreon wabi luminaires provide peace of mind in outdoor settings.

[↑ back to overview page wall luminaires](#)

wabi
252





	Colour	KR-code	Light sources	9027 2700K, CRI90+	9030 3000K, CRI90+	FL Flood (30°)	Optional accessories
wabi Gear: ON/OFF incl.	●	KR943052	①	●	●	●	■
wabi Gear: excl.	●	KR943252	②	●	●	●	■
wabi wall Gear: ON/OFF incl.	●	KR943352	③	●	●		
wabi wall Gear: excl.	●	KR943152	④	●	●		■
Optional accessories							
Glare preventor		KR743052		Glare preventor (straight black H50)			
Optional installation ① (only for wabi)		KR743950		Spacer ②			
Driver		KR772630		LED driver, 700mA, ON/OFF, 30W (IP68)			
		KR772752		LED driver, 700mA, 1-10V, 12W (IP67)			
		KR772853		LED driver, 700mA, DALI, 30W (IP68)			
		KR772840		LED driver, 1050mA, ON/OFF, 52W (IP68)			
		KR772862		LED driver, 1050mA, 0/1-10V & DALI, 52W (IP67) ③			
Wall box for wabi wall		KR727611		Concrete wall box			
		KR727711		Hollow wall box			
		KR727811		Brick wall box			

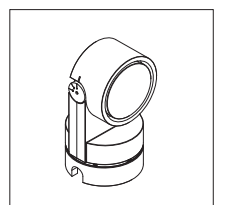
		CRI	CCT	Voltage	Wattage	Drive current	Fixture lumen
①	LED	CRI90+	2700K/3000K	230V	4,1W	350mA	387lm
②	LED	CRI90+	2700K/3000K		12W	1050mA	783lm
③	LED	CRI90+	2700K/3000K	230V	4W		240lm
④	LED	CRI90+	2700K/3000K		4W	700mA	240lm

REMARKS

- ① Luminaire is supplied with parts for installation on concrete.
- ② For surface mounted cables.
- ③ Driver can be used for max. 3 fixtures.

Rotation is lockable.
Check installation manual.
IP65

Spacer



kreon pendant luminaires

cadre	256
esprit	264
fuga	274
holon	278
oran	298

[↑ back to table of content](#)

kreon cadre

The kreon cadre collection presents a series of quadratic pendant luminaires known by its symmetrical architectural design, capable of both framing and interrupting space.

These luminaires offer light through either linear or multiple point LED sources, with a choice of different colour temperatures and dimming options. This versatility ensures an optimized lighting solution for various applications, from desks to dining tables.

For enhanced flexibility, the kreon cadre luminaires are available with solid telescopic side supports covered with luxurious, finely-grained leather or steel tension cable suspension. Each fixture is finished with a sleek black or chrome anodic layer, adding a touch of sophistication. Whether installed as individual pieces or arranged in a continuous row of up to twenty luminaires, kreon cadre provides an eye-catching lighting solution.

[↑ back to overview page pendant luminaires](#)

cadre 1200
258



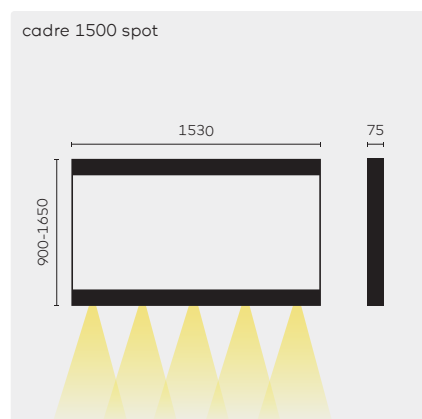
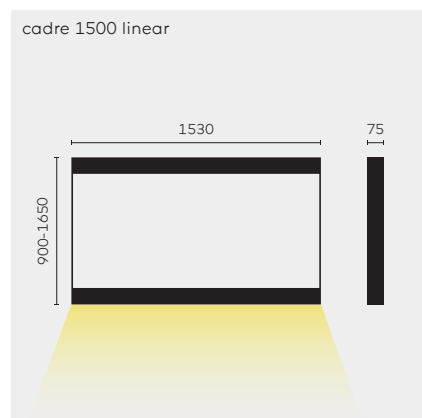
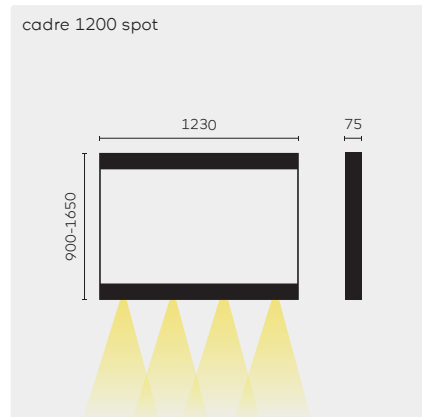
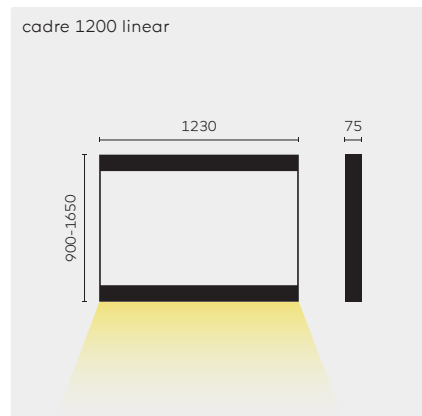
cadre 1500
258



cadre plug & play
262



kreon cadre



cadre 1200 linear
230V

cadre 1200 spot ③
230V

cadre 1500 linear
230V

cadre 1500 spot ③
230V

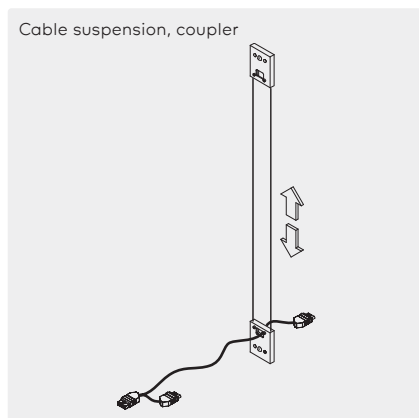
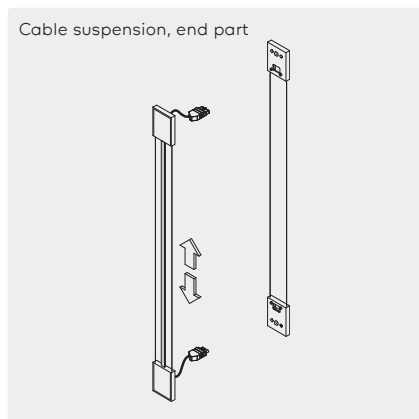
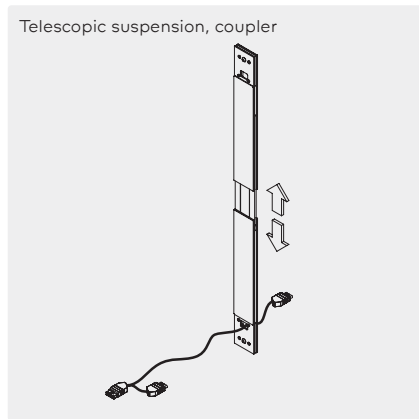
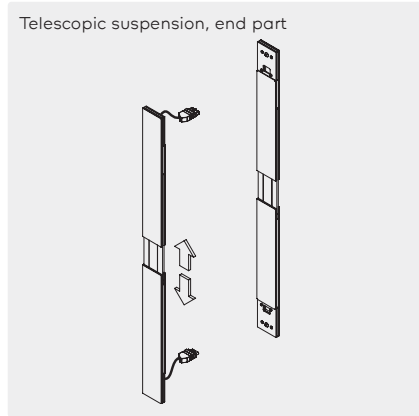
	CRI	CCT	Voltage	Wattage	Fixture lumen
①	LED CRI90+	2700K/3000K	230V	38,1W	2670lm
②	LED CRI90+	2700K/3000K	230V	47,7W	3011lm

Colour ①	KR-code	Light sources	9027 2700K, CRI90+	9030 3000K, CRI90+	VD 1-10 V dimming	DD DALI dimming	Required accessories ②
●	KR963662	①	●	●	●	●	■
○	KR963660	①	●	●	●	●	■
●	KR963682				●	●	■
○	KR963680				●	●	■
●	KR963672	②	●	●	●	●	■
○	KR963670	②	●	●	●	●	■
●	KR963692				●	●	■
○	KR963690				●	●	■

REMARKS

- ① kreon cadre is available in two different colours:
- Black anodised
- Chrome
- ② Find the accessories for kreon cadre on page 260-261.
- ③ order additional lamps separately

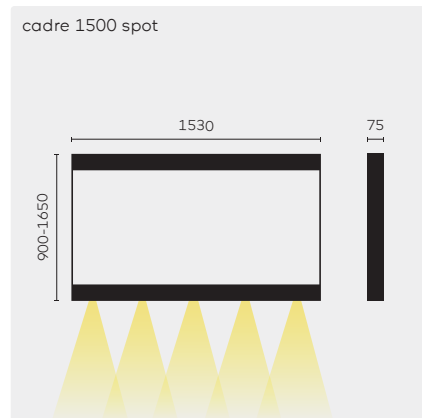
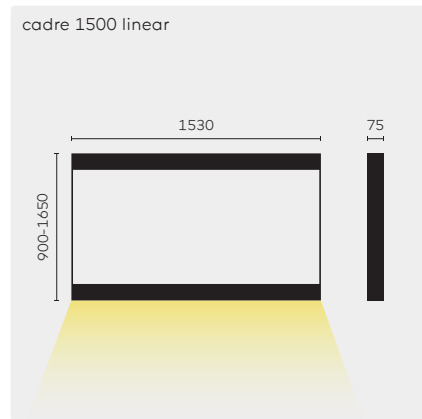
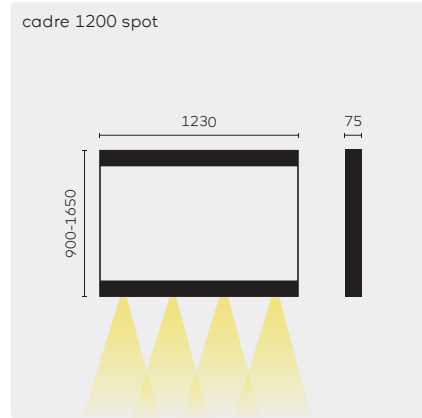
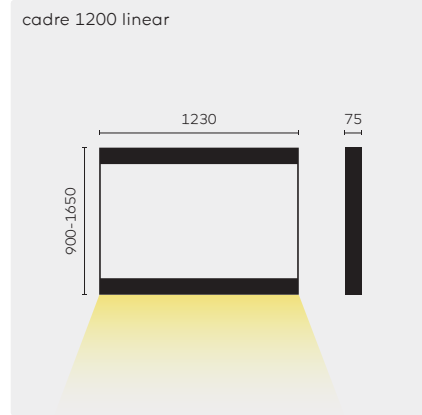
Gear: included
IP40



■ Required accessories

Lamps			KR460180	Constant current MR16 LED lamp, 2700K 36°
			KR460945	Constant current MR16 LED lamp, 3000K 36°
Leather telescopic suspension, black anodised (for KR9636x2)				
Pendant height 900-1200mm	End part	○	KR763721	
		●	KR763722	
	Coupler	○	KR763321	
		●	KR763322	
Pendant height 1200-1650mm	End part	○	KR763821	
		●	KR763822	
	Coupler	○	KR763421	
		●	KR763422	
Leather telescopic suspension, chrome (for KR9636x0)				
Pendant height 900-1200mm	End part	○	KR763701	
		●	KR763702	
	Coupler	○	KR763301	
		●	KR763302	
Pendant height 1200-1650mm	End part	○	KR763801	
		●	KR763802	
	Coupler	○	KR763401	
		●	KR763402	
Cable suspension	End part		KR763102	
Max. pendant height: 2500mm	Coupler		KR763002	

kreon cadre plug & play



cadre 1200 linear
230V

cadre 1200 spot ②
230V

cadre 1500 linear
230V

cadre 1500 spot ④
230V

■ Required accessories

Lamps

- [KR460180](#) Constant current MR16 LED lamp, 2700K 36°
- [KR460945](#) Constant current MR16 LED lamp, 3000K 36°

	CRI	CCT	Voltage	Wattage	Fixture lumen
①	LED CRI90+	3000K	230V	38,1W	2670lm
②	LED CRI90+	2700K/3000K	230V	4 x 6,5W	1294lm
③	LED CRI90+	3000K	230V	47,7W	3011lm
④	LED CRI90+	2700K/3000K	230V	5 x 6,5W	1505lm

Colour ①	KR-code	Light sources	9027 2700K, CRI90+	9030 3000K, CRI90+	VD 1-10 V dimming	DD DALI dimming	S suspension length: 900-1200mm	H suspension length: 1200-1650mm	1 suspension colour: white	2 suspension colour: black	Required accessories
●	KR963582	①	●	●	●	●	●	●	●	●	
●	KR963584	①	●	●	●	●	●	●	●	●	
●	KR963582	②			●	●	●	●	●	●	■
●	KR963584	②			●	●	●	●	●	●	■
●	KR963592	③	●	●	●	●	●	●	●	●	
●	KR963592	③	●	●	●	●	●	●	●	●	
●	KR963592	④			●	●	●	●	●	●	■
●	KR963592	④			●	●	●	●	●	●	■

REMARKS

- ① kreon cadre is available in two different colours:
- Black anodised
- Chrome
- ② order additional lamps separately

Gear: included
IP40

kreon esprit comes in three different types: free-standing, ceiling mounted or suspended with single, double and in the suspended version up to 4 lamp heads. The kreon esprit adjustable slim-lined spotlights are available in black or white, in 2700K and 3000K LED for both CRI80+ and CRI90+. The luminaire heads can be rotated by 355° and placed in any random angle from 0° to 90°.

kreon esprit ceiling is a ceiling mounted spotlight that can be installed using the kreon down 80 trimless plasterkit.

kreon esprit floor is a free-standing luminaire that can be equipped with either a square base in white Carrara marble or natural blue steel or with a round base. A new feature for the kreon esprit floor is a push dim button on top of the vertical bar, which makes the device even easier to operate. The luminaire is optionally available with Casambi Bluetooth remote dimming and switching function.

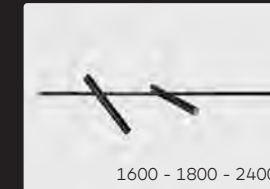
kreon esprit pendant are 3 or 4 individual lampheads mounted on a slender horizontal bar with steel tension cable suspension for maximum flexibility. It can be installed as an individual element or in a cluster of two or more.

[↑ back to overview page pendant luminaires](#)

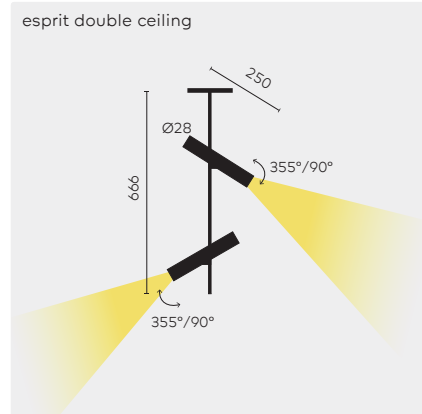
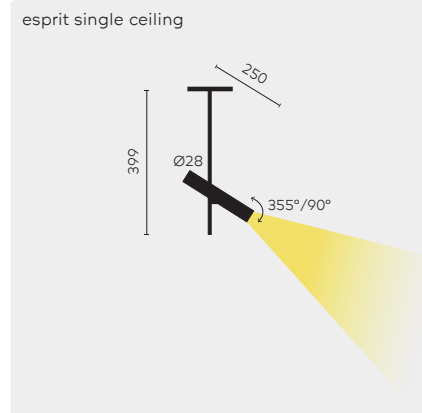
esprit ceiling
266



esprit pendant
270



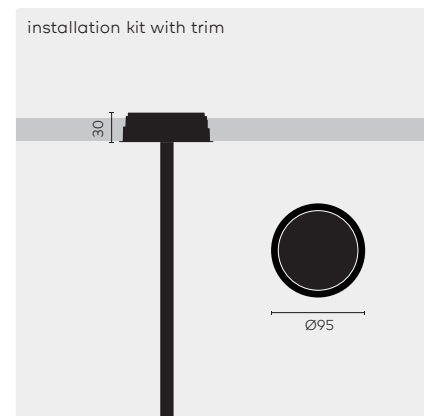
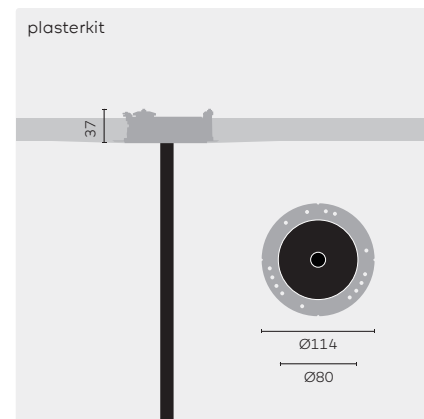
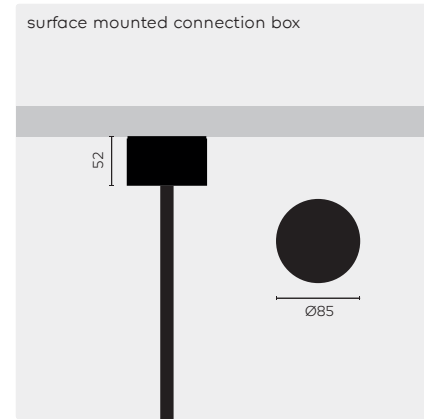
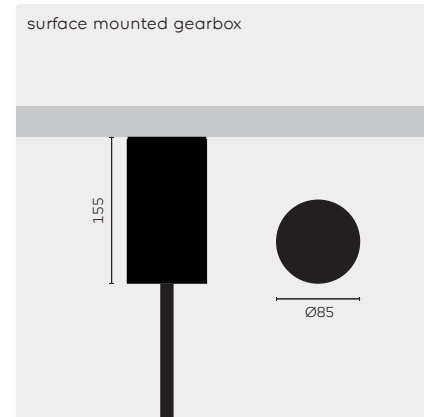
kreon esprit ceiling



	Colour	KR-code	Light sources	9027 2700K, CRI90+	9030 3000K, CRI90+	SP Spot (20°)	DL Darklight (33°)	WDL Wide darklight (56°)	P1 White painted lamphead	P2 Black painted lamphead	A4 Brushed bronze lamphead	A7 Brushed silver lamphead	AB Brushed gold lamphead	A9 Gun black lamphead	Required accessories	Optional accessories
esprit single ceiling Gear: excl.,	○	<u>KR963011</u>	①	●	●	●	●	●	●	●	●	●	●	●	■	■
	●	<u>KR963012</u>	①	●	●	●	●	●	●	●	●	●	●	●	■	■
esprit double ceiling Gear: excl.,	○	<u>KR963021</u>	②	●	●	●	●	●	●	●	●	●	●	●	■	■
	●	<u>KR963022</u>	②	●	●	●	●	●	●	●	●	●	●	●	■	■
■ Required accessories Installation boxes See page 268-269																
■ Optional accessories Drivers See page 268-269																


		CRI	CCT	Wattage	Drive Current	Fixture lumen
①	SP	CRI90+	2700K/3000K	2W	700mA	162lm
		CRI90+	2700K/3000K	3,2W	1050mA	218lm
	DL WDL	CRI90+	2700K/3000K	8W	700mA	368lm
		CRI90+	2700K/3000K	12W	1050mA	400lm
②	SP	CRI90+	2700K/3000K	2x2W	700mA	2x162lm
		CRI90+	2700K/3000K	2x3,2W	1050mA	2x218lm
	DL WDL	CRI90+	2700K/3000K	2x8W	700mA	2x368lm
		CRI90+	2700K/3000K	2x12W	1050mA	2x400lm

kreon esprit ceiling mounting options




 **surface mounted gearbox, 220-240Vdc, 50/60Hz**
for single SP/DL/WDL and double SP
Gear: incl., Ø85 H155

 **surface mounted gearbox, 220-240Vdc, 50/60Hz**
for double DL/WDL
Gear: incl., Ø85 H155

 **surface mounted connection box**
Gear: excl., Ø85 H52

 **trimless plasterkit for recessed mounting, no shadowgap**
Gear: excl.

 **trimless plasterkit for recessed mounting, shadowgap**
for recessed mounting
Gear: excl.

 **installation kit for recessed mounting, with trim**
for recessed mounting
Gear: excl., Ø90 D110

Optional accessories

Driver

Colour
KR-code
PD Phase dimming
DD DALI dimming 1
LV low voltage connection
Optional accessories

○ KR763591 ● ●

● KR763592 ● ●

○ KR763791 ● ●

● KR763792 ● ●

○ KR763691 ● ■

● KR763692 ● ■

KR717104 ■

KR717108 ■

○ KR717021 ■

● KR717022 ■

KR772142 LED driver, 1050mA, 1-10V, 39W 2

KR772743 LED driver, 1050mA, DALI, 38W 2

KR772249 LED driver, 1050mA, Casambi, 37W 2

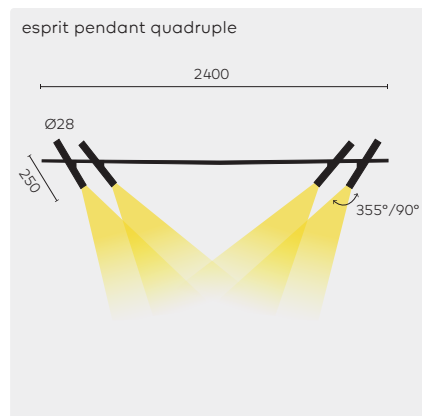
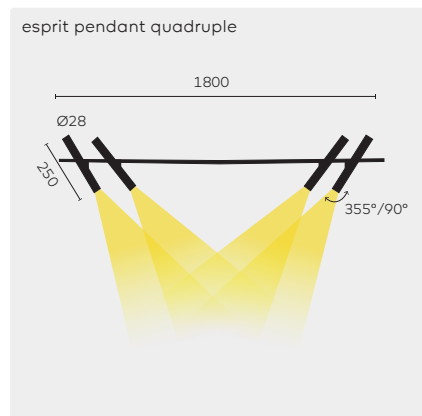
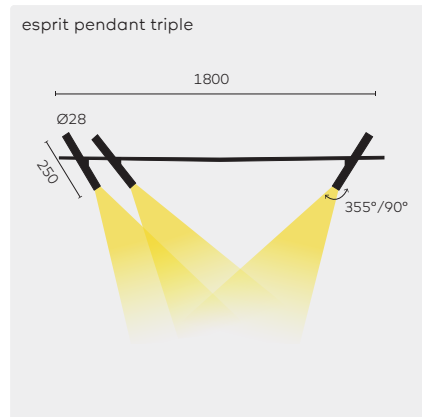
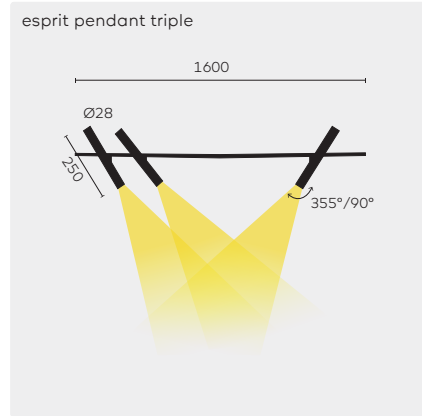
REMARKS

- 1 Internal driver is touchdim compatible
- 2 Driver fits through the installation hole.

See page 610 for more information about different installation kits.

IP40

kreon esprit pendant



esprit pendant triple ①
Gear: excl., L1600

esprit pendant triple ①
Gear: excl., L1800

esprit pendant quadruple ①
Gear: excl., L1800

esprit pendant quadruple ①
Gear: excl., L2400

■ **Required accessories**

Installation boxes

See page 272-273

■ **Optional accessories**

Additional support

KR763982 Additional support for esprit pendant

Drivers

See page 272-273

Colour	KR-code	Light sources	9027 2700K, CRI90+	9030 3000K, CRI90+	SP Spot (20°)	DL Darklight (33°)	WDL Wide darklight (56°)	P2 Black painted lamphead	A4 Brushed bronze lamphead	A7 Brushed silver lamphead	AB Brushed gold lamphead	A9 Gun black lamphead	Required accessories	Optional accessories
--------	---------	---------------	-----------------------	-----------------------	------------------	-----------------------	-----------------------------	------------------------------	-------------------------------	-------------------------------	-----------------------------	--------------------------	----------------------	----------------------

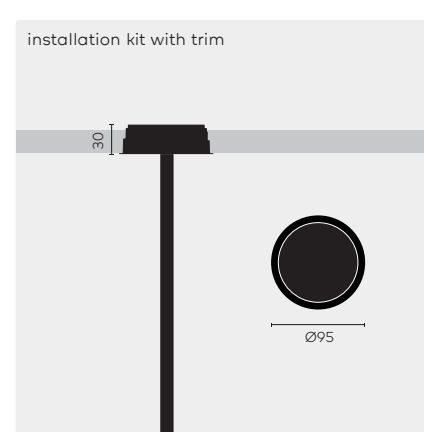
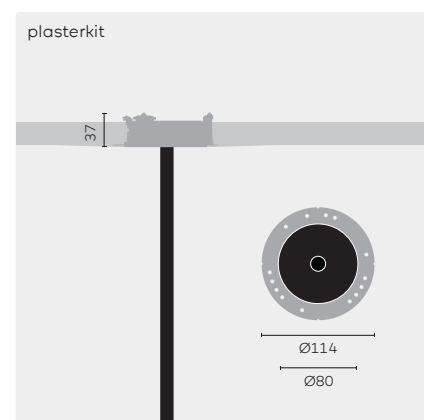
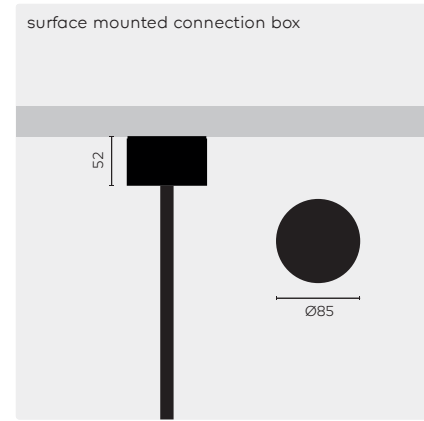
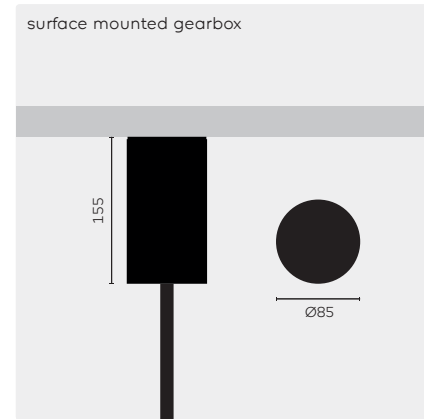
●	KR963732	①	●	●	●	●	●	●	●	●	●	●	■	■
●	KR963832	①	●	●	●	●	●	●	●	●	●	●	■	■
●	KR963842	②	●	●	●	●	●	●	●	●	●	●	■	■
●	KR963942	②	●	●	●	●	●	●	●	●	●	●	■	■








		CRI	CCT	Wattage	Drive Current	Fixture lumen
①	SP	CRI90+	2700K/3000K	3x2W	700mA	3x162lm
		CRI90+	2700K/3000K	3x3,2W	1050mA	3x218lm
	DL WDL	CRI90+	2700K/3000K	3x8W	700mA	3x368lm
		CRI90+	2700K/3000K	3x12W	1050mA	3x400lm
②	SP	CRI90+	2700K/3000K	4x2W	700mA	4x162lm
		CRI90+	2700K/3000K	4x3,2W	1050mA	4x218lm
	WDL WDL	CRI90+	2700K/3000K	4x8W	700mA	4x368lm
		CRI90+	2700K/3000K	4x12W	1050mA	4x400lm

REMARKS
The pendant bar of esprit pendant may sag by gravity.
Pendant cable: max. 2,5m

Gear: excl.
⊗ IP40

kreon esprit pendant mounting options



	Colour	KR-code	PD Phase dimming	DD DALI dimming 1	LV low voltage connection	Optional accessories
 surface mounted gearbox, 220-240Vdc, 50/60Hz for SP Gear: incl., Ø85 H155	○	KR763591	●	●		
	●	KR763592	●	●		
 surface mounted gearbox, 220-240Vdc, 50/60Hz for DL/WDL Gear: incl., Ø85 H155	○	KR763791	●	●		
	●	KR763792	●	●		
 surface mounted connection box Gear: excl., Ø85 H52	○	KR763691			●	■
	●	KR763692			●	■
 trimless plasterkit, front mounting, no shadowgap Gear: excl.		KR717104				■
 trimless plasterkit, front mounting, shadowgap Gear: excl.		KR717108				■
 trimless plasterkit, back mounting, no shadowgap Gear: excl.		KR717000				■
 installation kit for recessed mounting , with trim Gear: excl., Ø 90 D110	○	KR717021				■
	●	KR717022				■

■ Optional accessories

Driver	Code	Description
	KR762700	LED driver, 700mA, ON/OFF, 11W 2
	KR752943	LED driver, 700mA, phase dim, 32W 2
	KR772232	LED driver, 700mA, 1-10V, 20W 2
	KR772142	LED driver, 1050mA, 1-10V, 39W 2
	KR752733	LED driver, 700mA, DALI, 20W 2
	KR772743	LED driver, 1050mA, DALI, 38W 2
	KR772443	LED driver, 1050mA, DALI, 60W
	KR772249	LED driver, 1050mA, Casambi, 37W 2

REMARKS

- 1 Internal driver is touchdim compatible.
- 2 Driver fits through the installation hole.

See page 610 for more information about different installation kits.

IP40

kreon fuga

kreon fuga comes in 2 dimensions: 900 and 1200. With its modular design, you can create various configurations by combining the head, pendant bar, and ceiling bar.

The lower horizontal bar of kreon fuga features a CRI85, 2700K, or 3000K LED-strip with a diffuser for homogenous light output. This bar can be repositioned to either an offset position or placed in the middle of the vertical bar.

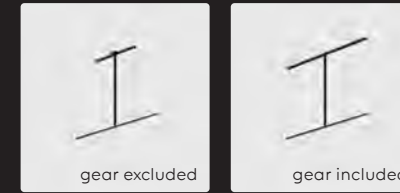
The additional possibility to rotate the lower horizontal bar by 90° makes kreon fuga a dynamic pendant luminaire. ON-OFF drivers can be built in, DALI and 1-10V drivers are available for remote dimming.

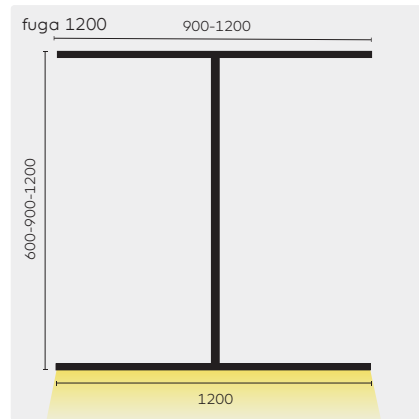
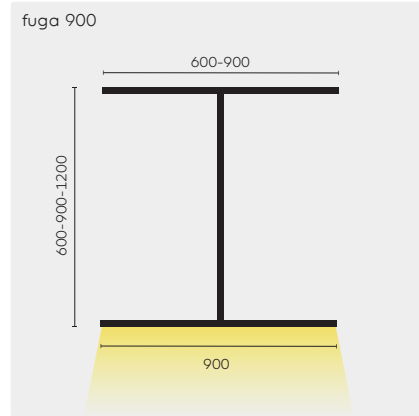
[↑ back to overview page pendant luminaires](#)

fuga 900
276



fuga 1200
276





	Colour	KR-code	Light sources	8527 2700K, CR85+	8530 3000K, CR85+	06 600mm pendant	09 900mm pendant	12 1200mm pendant	06 600mm base	09 900mm base	12 1200mm base	Required accessories	Optional accessories
fuga 900 Driver: excl. ⬢			recessed mounted ①	●	●	●	●	●	●	●	●	■	■
			surface mounted ②	●	●	●	●	●	●	●	●		■
fuga 1200 Driver: excl. ⬢			recessed mounted ①	●	●	●	●	●	●	●	●	■	■
			surface mounted ②	●	●	●	●	●	●	●	●		■
fuga 900 Driver: incl. (on/off)	●	KR974262	③	●	●	●	●	●	●				
fuga 1200 Driver: incl. (on/off)	●	KR974362	④	●	●	●	●	●	●	●			
■ Required accessories													
Plasterkit				KR717114		Trimless plasterkit square, no shadowgap							
				KR717118		Trimless plasterkit square, shadowgap							
■ Optional accessories													
Driver				KR772024		LED driver, 500mA, ON/OFF, 20W							
				KR772220		LED driver, 500mA, 1-10V, 20W							
				KR772126		LED driver, 500mA, DALI, 18W							

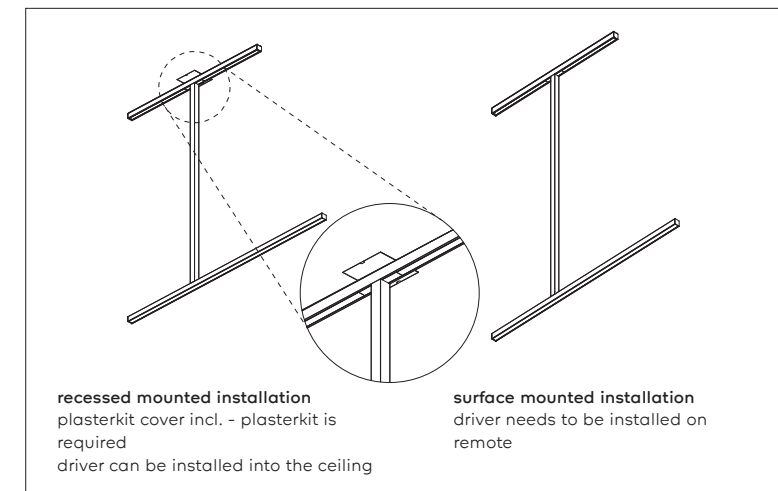
		CRI	CCT	Voltage	Wattage	Drive current	Fixture lumen
①	LED	CR185+	2700K/3000K		9,5W	500mA	447lm
②	LED	CR185+	2700K/3000K		12,7W	500mA	578lm
③	LED	CR185+	2700K/3000K	230V	9,5W		447lm
④	LED	CR185+	2700K/3000K	230V	12,7W		578lm

REMARKS

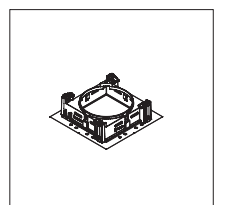
- ① Fixture has to be installed with plasterkit. Driver can be installed into the ceiling.
- ② Driver needs to be installed on remote.

Be aware: when multiple kreon fuga fixtures are placed next to each other, make sure there is a minimum distance of 100 mm between the ceiling bars. You can also use ceiling bars that are smaller than the LED or install the ceiling bar perpendicular to the led.

IP40



Plasterkit



kreon holon

kreon holon offers a range of cylindrical downlights characterised by its compact form and deep set LED position, providing a subtle feeling of light without a possible uncomfortable visual perception.

The range incorporates different LED modules and is available in three diameters to accommodate various spatial needs. Whether you prefer fixed or directional units, kreon holon provides a discreet yet functional lighting solution for both general and accent lighting in architectural spaces. The fixtures are available in black for a striking contrast or pure white for a seamless integration with the surroundings.

[↑ back to overview page pendant luminaires](#)

holon 20
280

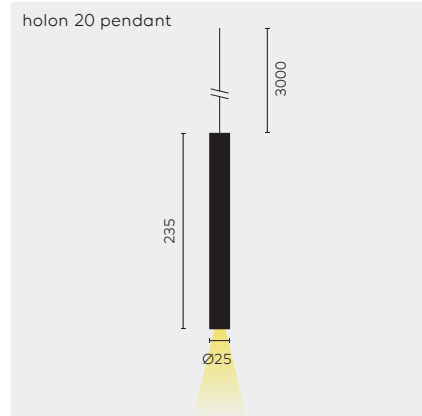


holon 40
282



holon 60
290





	holon 20 pendant Gear: excl.									
○	KR952061	①	● ●	● ●	● ●	● ●	■ ■	■ ■		
●	KR952062	①	● ●	● ●	● ●	● ●	■ ■	■ ■		

■ Required accessories

Plasterkit	KR707104	Plasterkit, no shadowgap Ø 63
	KR707000	Plasterkit, Ø40, trimless, back installation, 13+mm panel
	KR707002	Plasterkit, Ø40, trimless, back installation, 9-13mm
Installation kit	KR707100	Installation kit Ø40, trimless, back installation, 13+mm panel
	KR707102	Installation kit Ø40, trimless, back installation
Installation box, recessed mounted	KR791100	Recessed suspension kit
	KR707106	Louvre for plasterkit, white
	KR707122	Louvre for plasterkit, black
	KR707124	Louvre for plasterkit, brushed bronze
	KR707127	Louvre for plasterkit, brushed silver
	KR707128	Louvre for plasterkit, brushed bronze
	KR707129	Louvre for plasterkit, gun black
	KR791001	Surface mounted installation box, white Ø 45 H 50
	KR791002	Surface mounted installation box, black Ø 45 H 50

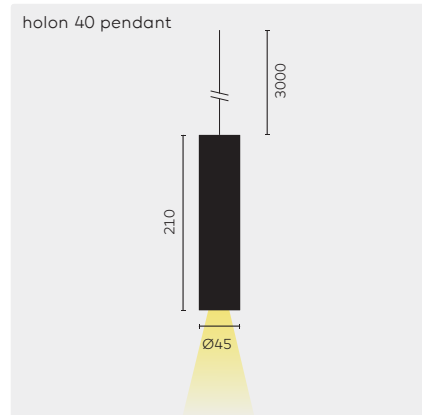
■ Optional accessories

Driver	KR7.....	TBD
	KR7.....	TBD
	KR7.....	TBD
	KR7.....	TBD
	KR7.....	TBD
	KR7.....	TBD
	KR7.....	TBD

	CRI	CCT	Wattage	Drive Current	Fixture lumen
① LED	CRI90+	2700K/3000K	4,2W	350mA	250lm

REMARKS

◆ IP40



Colour	KR-code	Light sources	9027 2700K, CRI90+	9030 3000K, CRI90+	SP Spot (35°)	FL Flood (35°)	WFL Wide flood (55°)	DL Dark light (38°) ①	MDL Wide dark light (76°) ①	P1 Louvre painted white ②	P2 Louvre painted black ②	A5 Louvre red copper ②	Required accessories	Optional accessories
○	KR962001	①	●	●	●	●	●	●	●	●	●	●	■	■
●	KR962002	①	●	●	●	●	●	●	●	●	●	●	■	■
○	KR962901	②	●	●	●	●	●	●	●	●	●	●	■	
●	KR962902	②	●	●	●	●	●	●	●	●	●	●	■	

Required accessories

Gearboxes ③	See page 284-287
Connection box ④	See page 288-289
Recessed suspension kit ④	See page 288-289

Optional accessories

Drivers	See page 288-289
---------	------------------

		CRI	CCT	Voltage	Wattage	Drive current	Fixture lumen
①	FL	CRI90+	2700K/3000K		8,4W	700mA	558lm
	darklight	CRI90+	2700K/3000K		8,4W	700mA	417lm
②	FL	CRI90+	2700K/3000K	230V	8,4W	500mA	420lm
	darklight	CRI90+	2700K/3000K	230V	8,4W	500mA	420lm

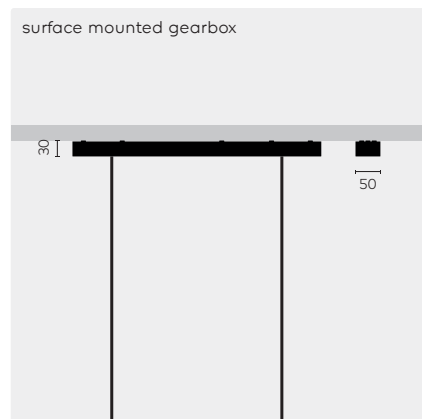
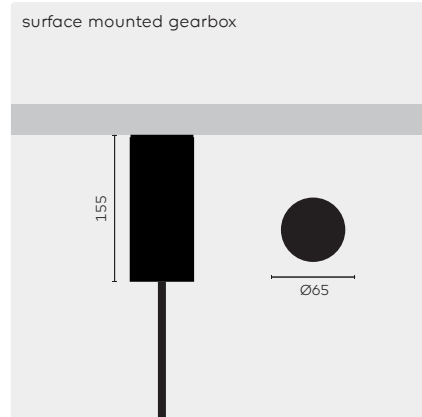
REMARKS

- ① Only available in combination with black louvre or red copper louvre and CRI90+
- ② Finishing colour of the louvre in the holon 40 pendant cylinder
- ③ Gearboxes are suitable in combination with holon 40 pendant, gear excl. (KR96200X)
- ④ Accessories are suitable for any type of holon 40 pendant, gear inc. and gear excl.


Colours bronze, nickel, gold and gun black on request.

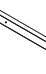
Length pendant cord: 3000mm
IP40

kreon holon 40 pendant mounting options



 **surface mounted gearbox, 220-240Vdc, 50/60Hz ①**
for 1 module, 1 circuit
Gear: incl., Ø65 H155

 **surface mounted gearbox, 220-240Vdc, 50/60Hz ①**
for 1 module, 1 circuit
Gear: incl., Ø120 H30

 **surface mounted gearbox, 220-240Vdc, 50/60Hz ①**
for 2 modules, 1 circuit
Gear: incl., L500 W50 H30

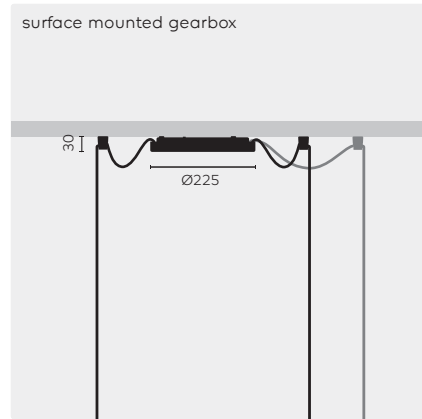
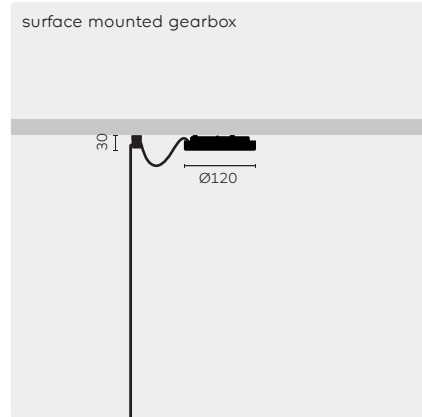
Colour	KR-code	PD Phase dimming	DD DALI dimming	CD Casambi dimming
○	<u>KR791231</u>	●	●	
●	<u>KR791232</u>	●	●	
○	<u>KR791431</u>	●		
●	<u>KR791432</u>	●		
○	<u>KR791201</u>	●	●	●
●	<u>KR791202</u>	●	●	●

REMARKS

- ① Gearboxes are suitable in combination with holon 40 pendant, gear excl. (KR96200X)
- ② Also available in phase dim or DALI dim on request

© IP20

kreon holon 40 pendant mounting options



surface mounted gearbox, 220-240Vdc, 50/60Hz ① ②
for 1 module, 1 circuit
Gear: switchable ON/OFF incl., Ø160 H30

surface mounted gearbox, 220-240Vdc, 50/60Hz ① ②
for 2 or 3 modules, 1 circuit
Gear: switchable ON/OFF incl., Ø225 H30

Colour

KR-code

○ KR791004

● KR791005

○ KR791006

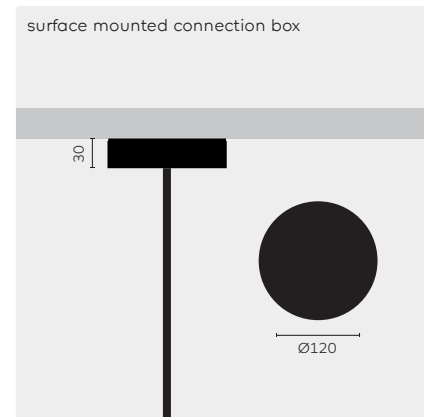
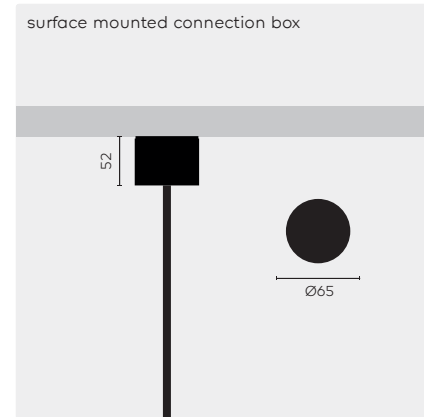
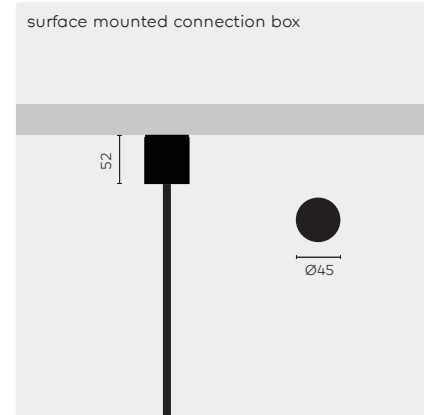
● KR791007

REMARKS

① Gearboxes are suitable in combination with holon 40 pendant, gear excl. (KR96200X)

② IP40

kreon holon 40 pendant mounting options



surface mounted connection box
Gear: excl., Ø45 H52

surface mounted connection box
Gear: excl., Ø65 H52

surface mounted connection box
Gear: excl., Ø120 H30

Required accessories

recessed mounted

Optional accessories

Driver ⁴

Colour
KR-code
LV low voltage connection ¹
HV high voltage connection ²
Required accessories
Optional accessories

Colour	KR-code	LV	HV	Required accessories	Optional accessories
○	KR791111	●			■
●	KR791112	●			■
○	KR791211	●	●		■
●	KR791212	●	●		■
○	KR791411	●	●		■
●	KR791412	●	●		■

KR791100	Recessed suspension kit
KR707100	Installation kit Ø40, trimless, back installation, 13+mm panel
KR707102	Installation kit Ø40, trimless, back installation
KR707104	Plasterkit, no shadowgap Ø Ø63
KR707000	Plasterkit, Ø40, trimless, back installation, 13+mm panel
KR707002	Plasterkit, Ø40, trimless, back installation, 9-13mm
KR707106	Louvre for plasterkit, white
KR707122	Louvre for plasterkit, black
KR707124	Louvre for plasterkit, brushed bronze
KR707127	Louvre for plasterkit, brushed silver
KR707128	Louvre for plasterkit, brushed gold
KR707129	Louvre for plasterkit, gun black

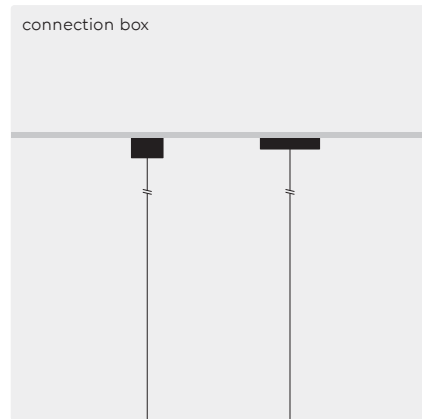
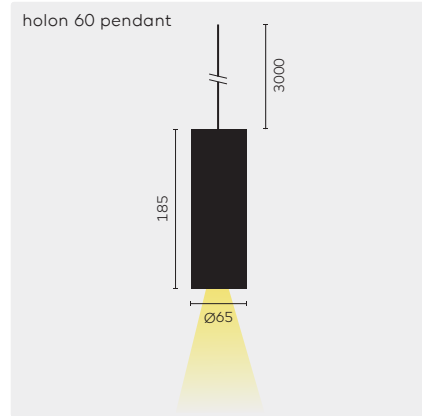
KR762700	LED driver, 700mA, ON/OFF, 1,4-11W ³
KR772631	LED driver, 700mA, phase dim, 2,1-10W ³
KR762902	LED driver, 700mA, 1-10V, 6,3-25W (IP67) ³
KR772633	LED driver, 700mA, DALI, 1,5-8,4W ³
KR752633	LED driver, 700mA, DALI, 1,75-10W ³

REMARKS

- ¹ Low voltage connection box is suitable in combination with holon 40 pendant, gear excl. (KR96200X) ⊗
- ² High voltage connection box is suitable in combination with holon pendant, gear incl. (KR96290X) ⊗
- ³ Driver fits through the installation hole of the plasterkit. Minimum installation depth is 180mm.
- ⁴ In case of connection box (-LV) or recessed suspension kit

IP40

kreon holon 60



 **holon 60 pendant, low louvre**
Gear: incl. ①

■ **Required accessories**

Connection box

Colour	KR-code	Light sources	9027 2700K, CRI90+	9030 3000K, CRI90+	9040 4000K, CRI90+	9527 2700K, CRI95+	9530 3000K, CRI95+	9540 4000K, CRI95+	SSP Superspot (18°)	SP Spot (33°)	FL Flood (54°)	WFL Wide flood (69°)	SW ON/OFF	DD DALI dimming	Required accessories
○	<u>KR962851</u>	①	●	●	●	●	●	●	●	●	●	●	●	●	■
●	<u>KR962852</u>	①	●	●	●	●	●	●	●	●	●	●	●	●	■

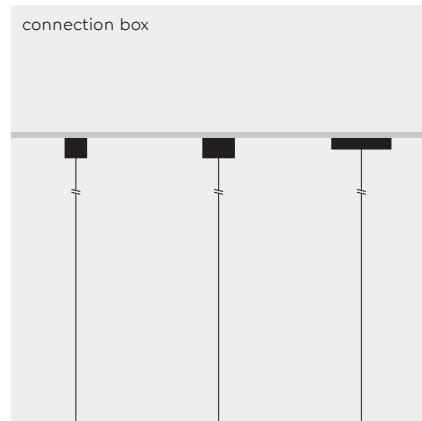
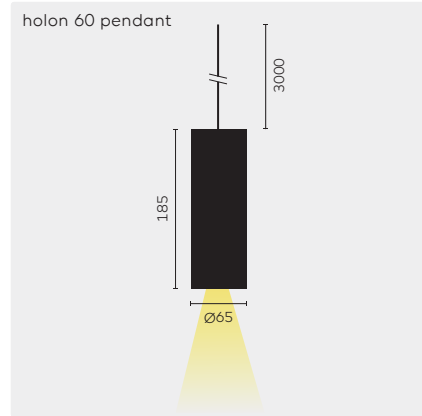
See page 296-297



		CRI	CCT	Voltage	Wattage	Drive current	Fixture lumen
① LED	SSP & SP	CRI90+	2700K/3000K/4000K	230V	10,2W		808lm
		CRI95+	2700K/3000K/4000K				727lm
	FL & WFL	CRI90+	2700K/3000K/4000K	230V	11,9W		1211lm
		CRI95+	2700K/3000K/4000K				1090lm

REMARKS

● white luminaire with black louvre

IP40



	Colour	KR-code	Light sources	9027 2700K, CRI90+	9030 3000K, CRI90+	9040 4000K, CRI90+	9527 2700K, CRI95+	9530 3000K, CRI95+	9540 4000K, CRI95+	SSP Superspot (18°)	SP Spot (33°)	FL Flood (54°)	WFL Wide flood (69°)	Required accessories	Optional accessories
 holon 60 pendant, low louvre Gear: excl. ⚡	○	KR962751	①	●	●	●	●	●	●	●	●	●	■	■	
	●	KR962752	①	●	●	●	●	●	●	●	●	●	●	■	■
 holon 60 pendant, deep recessed louvre Gear: excl. ⚡	○	KR962651	②	●	●	●	●	●	●	●	●		■	■	
	●	KR962652	②	●	●	●	●	●	●	●	●	●		■	■
	◐	KR962655	②	●	●	●	●	●	●	●	●	●		■	■

■ Required accessories

Connection box See page 296-297

■ Optional accessories

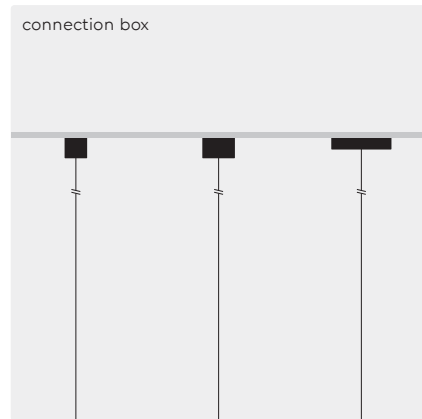
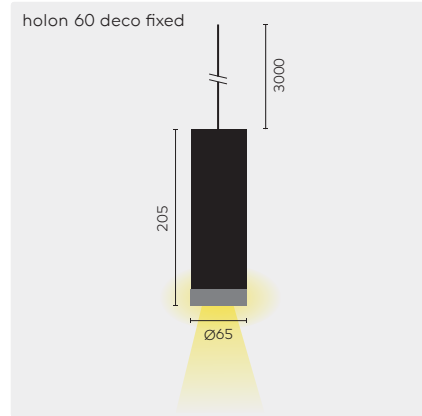
Drivers See page 296-297

			CRI	CCT	Wattage	Drive current	Fixture lumen
①	LED	SSP 6 SP	CRI90+	2700K/3000K/4000K	10,2W	300mA	811lm
			CRI95+	2700K/3000K/4000K			727lm
	FL 6 WFL	CRI90+	2700K/3000K/4000K	18,5W	500mA	1545lm	
		CRI95+	2700K/3000K/4000K			1454lm	
②	LED	SSP 6 SP	CRI90+	2700K/3000K/4000K	10,2W	300mA	786lm
			CRI95+	2700K/3000K/4000K			709lm
	FL 6 WFL	CRI90+	2700K/3000K/4000K	18,5W	500mA	1468lm	
		CRI95+	2700K/3000K/4000K			1370lm	

REMARKS

◐ white luminaire with black louvre

IP40



holon 60 deco pendant, deep louvre
Gear: excl. ⚙️

■ **Required accessories**

Connection box

See page 296-297

■ **Optional accessories**

Drivers

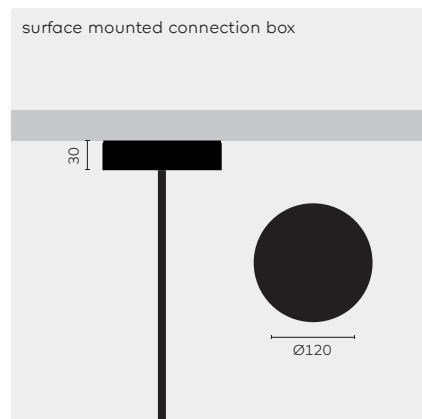
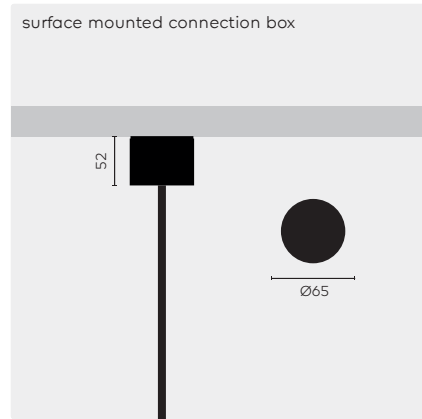
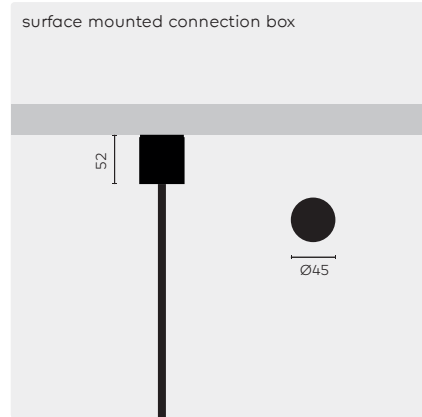
See page 296-297


Colour	KR-code	Light sources	9027 2700K, CRI90+	9030 3000K, CRI90+	9040 4000K, CRI90+	9527 2700K, CRI95+	9530 3000K, CRI95+	9540 4000K, CRI95+	SSP Superspot (18°)	SP Spot (33°)	FL Flood (54°)	Required accessories	Optional accessories
○	KR962551	①	●	●	●	●	●	●	●	●	●	■	■
●	KR962552	①	●	●	●	●	●	●	●	●	●	■	■


		CRI	CCT	Wattage	Drive current	Fixture lumen
① LED	SSP & SP	CRI90+	2700K/3000K/4000K	10,2W	300mA	741lm
		CRI95+	2700K/3000K/4000K			TBD
	FL	CRI90+	2700K/3000K/4000K	18,5W	500mA	1316lm
		CRI95+	2700K/3000K/4000K			TBD


REMARKS
IP40

kreon holon 60 pendant mounting options



 **surface mounted connection box**
Gear: excl., Ø45 H52

 **surface mounted connection box**
Gear: excl., Ø65 H52

 **surface mounted connection box**
Gear: excl., Ø120 H30

■ Optional accessories

Driver 300mA for SSP & SP ^③

KR747464 LED driver, 300mA, ON/OFF, 16W

KR747562 LED driver, 300mA, 1-10V, 15W

KR747666 LED driver, 300mA, DALI, 16W

KR772209 LED driver, 300mA, Casambi, 16W

Driver 500mA for FL & WFL ^③

KR772024 LED driver, 500mA, ON/OFF, 20W

KR772220 LED driver, 500mA, 1-10V, Push-dim, 20W

KR772223 LED driver, 500mA, DALI, 20W

KR772229 LED driver, 500mA, Casambi, 27W

Colour

KR-code

LV low voltage connection ^①

HV high voltage connection ^②

Optional accessories

Colour	KR-code	LV low voltage connection ^①	HV high voltage connection ^②	Optional accessories
○	<u>KR791111</u>	●		■
●	<u>KR791112</u>	●		■
○	<u>KR791211</u>	●	●	■
●	<u>KR791212</u>	●	●	■
○	<u>KR791411</u>	●	●	■
●	<u>KR791412</u>	●	●	■

REMARKS

- ^① Low voltage connection box is suitable in combination with holon 60 pendant, gear excl. ✦
- ^② High voltage connection box is suitable in combination with holon 60 pendant, gear incl. ⊕
- ^③ In case of connection box -LV

IP40

kreon oran

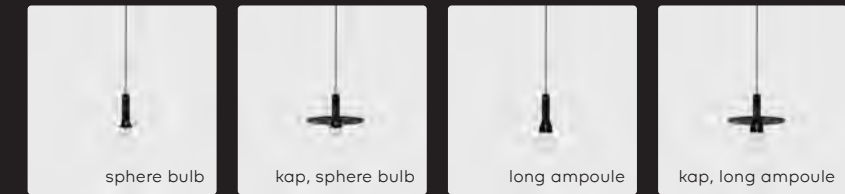
In 2018 kreon launched its first ornamental line with kreon oran craft. For the design of kreon oran craft our designers chose to switch gears. Without losing sight of the basic principles of 'unity in design, simplicity in techniques, and precision in detail'.

Due to the great success of the new series, it was decided to further expand the kreon oran range with the a stone and a glass collection. kreon thus focuses on the decorative aspect of high-end lighting.

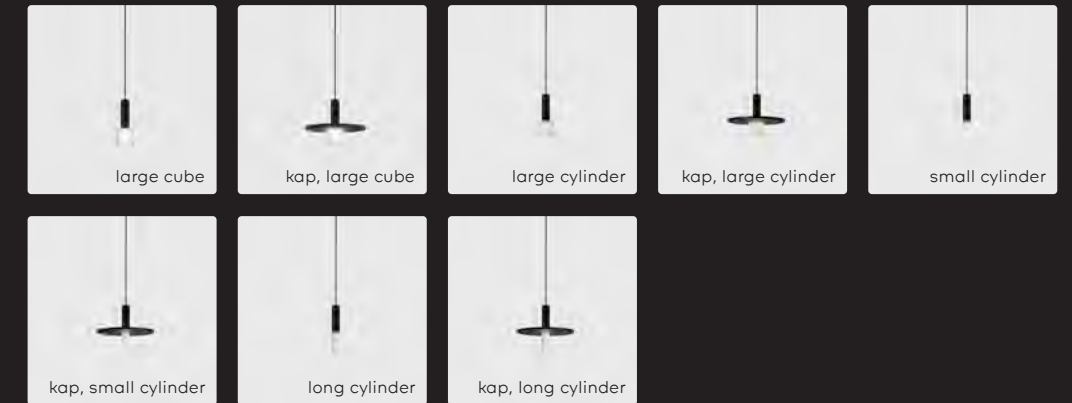
For the stone range we added the mineral alabaster: a uniquely coloured, soft and transparent stone and for the glass range we added 4 different glass shapes. The new ranges offer various combination possibilities and can perfectly be combined, on top of that the lamp heads can be easily interchanged.

[↑ back to overview page pendant luminaires](#)

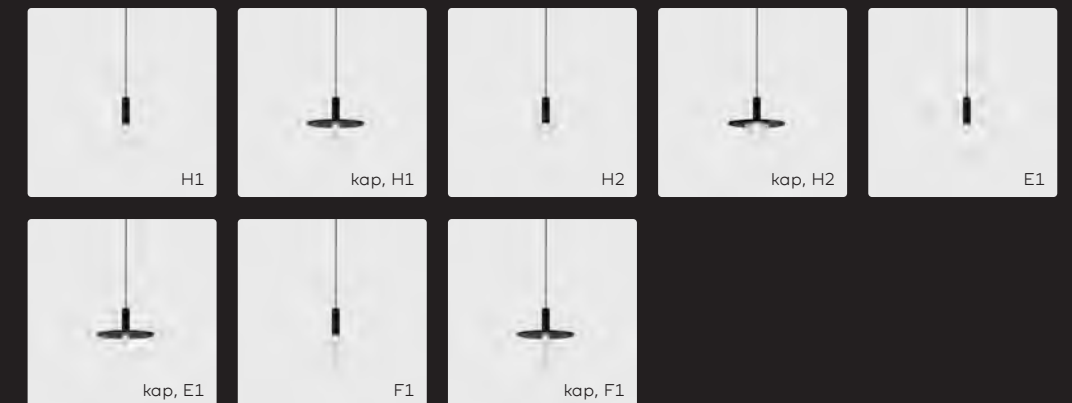
oran craft 300



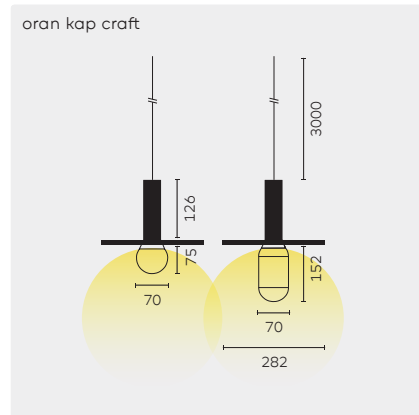
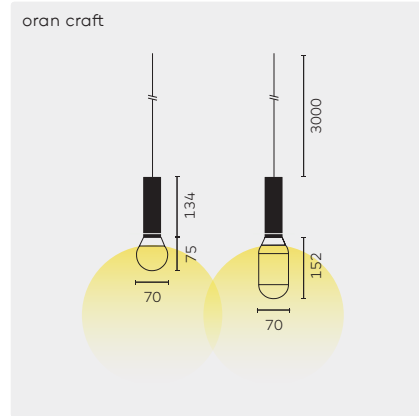
oran stone 302



oran glass 304



kreon oran pendant



	Colour	KR-code	Light sources	9027 2700K, CRI90+	9030 3000K, CRI90+	P1 White shade bottom	P2 Black shade bottom	A3 Grey shade bottom	A4 Bronze shade bottom	Required accessories	Optional accessories
oran pendant craft sphere bulb ①	○	KR991121	①	●	●					■	■
	●	KR991122	①	●	●					■	■
oran pendant craft long ampoule ①	○	KR991521	①	●	●					■	■
	●	KR991522	①	●	●					■	■
oran pendant kap craft sphere bulb ①	○	KR991141	①	●	●	●				■	■
	●	KR991142	①	●	●		●	●	●	■	■
oran pendant kap craft long ampoule ①	○	KR991541	①	●	●	●				■	■
	●	KR991542	①	●	●		●	●	●	■	■

■ Required accessories

Gearboxes	See page 306-309
Connection box	See page 310-311
Recessed suspension kit	See page 310-311

■ Optional accessories

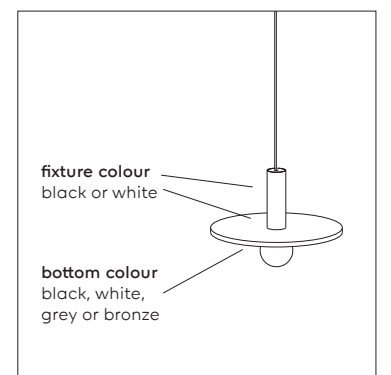
Drivers	See page 310-311
---------	------------------

REMARKS

① The stated dimensions of the glass are only to be used as a reference. Actual dimensions may vary. Each unit is unique due to the artisanal production technique.

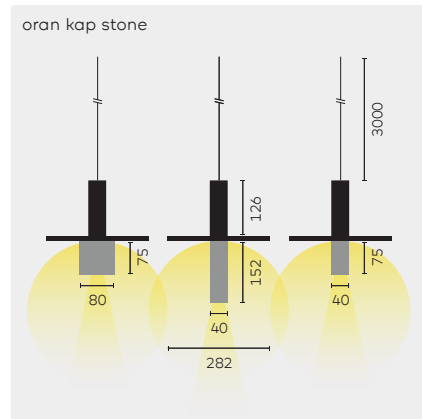
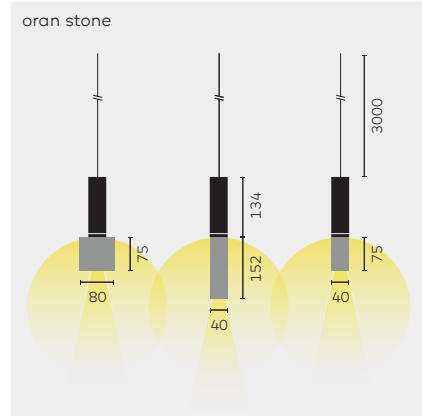
Pendant length: 3m

Gear excluded.
◆ IP40



	CRI	CCT	Wattage	Drive current	Fixture lumen
① LED	CRI90+	2700K/3000K	6,7W	700mA	290lm

kreon oran pendant



	Colour	KR-code	Light sources	9027 2700K, CRI90+	9030 3000K, CRI90+	P1 White shade bottom	P2 Black shade bottom	A3 Grey shade bottom	A4 Bronze shade bottom	Required accessories	Optional accessories
oran pendant stone, large cube 1	○	KR991211	①	●	●					■	■
	●	KR991212	①	●	●					■	■
oran pendant stone, large cylinder 1	○	KR991111	①	●	●					■	■
	●	KR991112	①	●	●					■	■
oran pendant stone, small cylinder 1	○	KR991311	①	●	●					■	■
	●	KR991312	①	●	●					■	■
oran pendant stone, long cylinder 1	○	KR991411	①	●	●					■	■
	●	KR991412	①	●	●					■	■
oran pendant kap stone, large cube 1	○	KR991231	①	●	●	●				■	■
	●	KR991232	①	●	●		●	●	●	■	■
oran pendant kap stone, large cylinder 1	○	KR991131	①	●	●	●				■	■
	●	KR991132	①	●	●		●	●	●	■	■
oran pendant kap stone, small cylinder 1	○	KR991331	①	●	●	●				■	■
	●	KR991332	①	●	●		●	●	●	■	■
oran pendant kap stone, long cylinder 1	○	KR991431	①	●	●	●				■	■
	●	KR991432	①	●	●		●	●	●	■	■

■ Required accessories

Gearboxes	See page 306-309
Connection box	See page 310-311
Recessed suspension kit	See page 310-311

■ Optional accessories

Drivers	See page 310-311
---------	------------------

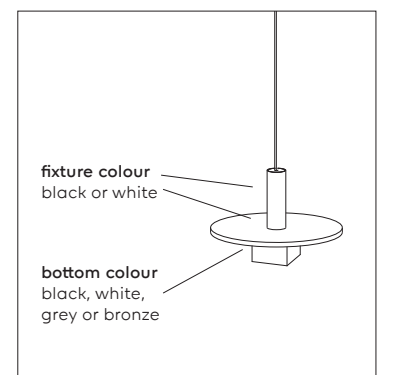
	CRI	CCT	Wattage	Drive current	Fixture lumen ②
① LED	CRI90+	2700K/3000K	6,7W	700mA	295lm

REMARKS

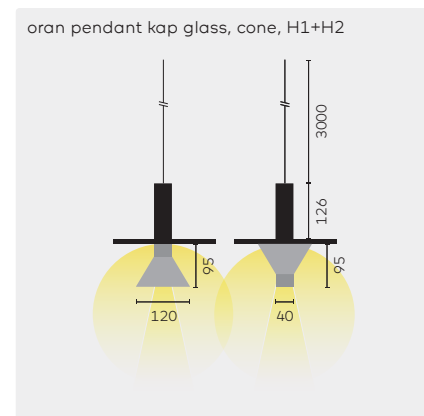
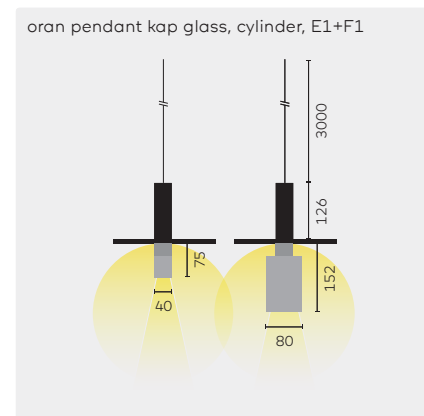
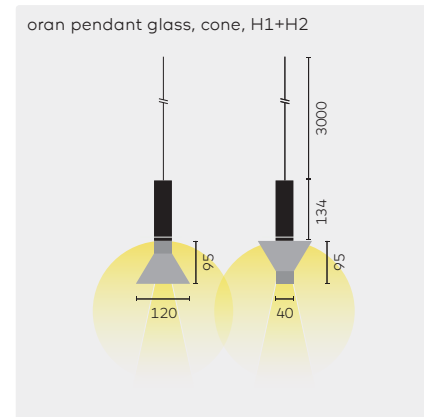
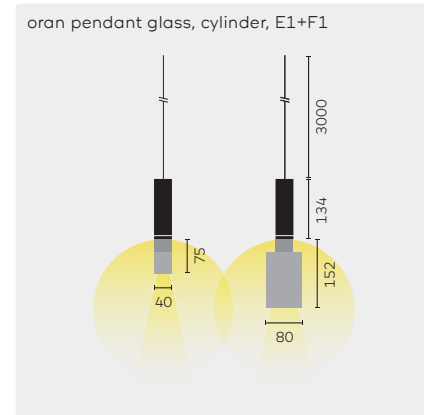
- ① Protect the alabaster block against direct sunlight and temperatures above 50°C.
- ② Lumen output may vary due to the use of natural products.

Pendant length: 3m

Gear excluded.
◆ IP40



kreon oran pendant



	Colour	KR-code	Light sources	9027 2700K, CRI90+	9030 3000K, CRI90+	P1 White shade bottom	P2 Black shade bottom	A3 Grey shade bottom	A4 Bronze shade bottom	Required accessories	Optional accessories
oran pendant glass, cylinder, E1	○	KR971111	①	●	●					■	■
	●	KR971112	①	●	●					■	■
oran pendant glass, double cylinder, F1	○	KR971311	②	●	●					■	■
	●	KR971312	②	●	●					■	■
oran pendant glass, cone, H1	○	KR971211	③	●	●					■	■
	●	KR971212	③	●	●					■	■
oran pendant glass, cone, H2	○	KR971411	④	●	●					■	■
	●	KR971412	④	●	●					■	■
oran pendant kap glass, cylinder, E1	○	KR971131	⑤	●	●	●				■	■
	●	KR971132	⑤	●	●		●	●	●	■	■
oran pendant kap glass, double cylinder, F1	○	KR971331	⑥	●	●	●				■	■
	●	KR971332	⑥	●	●		●	●	●	■	■
oran pendant kap glass, cone, H1	○	KR971231	⑦	●	●	●				■	■
	●	KR971232	⑦	●	●		●	●	●	■	■
oran pendant kap glass, cone, H2	○	KR971431	⑧	●	●	●				■	■
	●	KR971432	⑧	●	●		●	●	●	■	■

■ Required accessories

Gearboxes	See page 306-309
Connection box	See page 310-311
Recessed suspension kit	See page 310-311

■ Optional accessories

Drivers	See page 310-311
---------	------------------

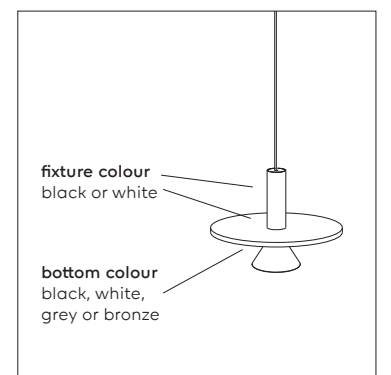
	CRI	CCT	Wattage	Drive current	Fixture lumen ①
①	LED CRI90+	2700K/3000K	8,4W	700mA	450lm
②	LED CRI90+	2700K/3000K	8,4W	700mA	444lm
③	LED CRI90+	2700K/3000K	8,4W	700mA	450lm
④	LED CRI90+	2700K/3000K	8,4W	700mA	438lm
⑤	LED CRI90+	2700K/3000K	8,4W	700mA	328lm
⑥	LED CRI90+	2700K/3000K	8,4W	700mA	420lm
⑦	LED CRI90+	2700K/3000K	8,4W	700mA	446lm
⑧	LED CRI90+	2700K/3000K	8,4W	700mA	419lm

REMARKS

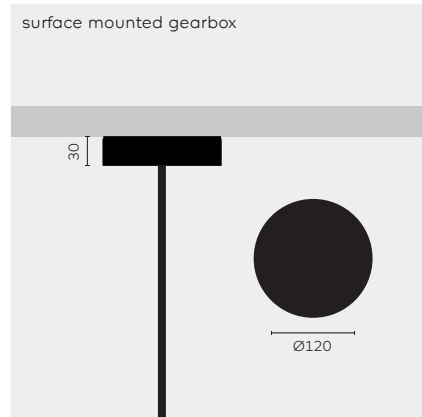
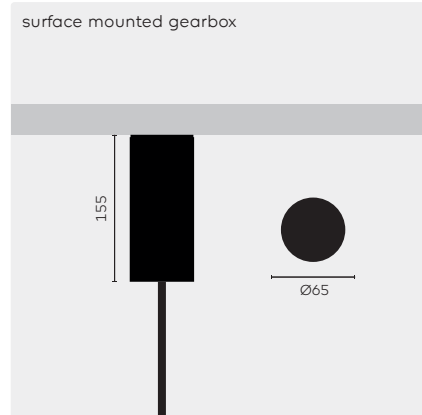
① Lumen output may vary due to the use of natural products.

Pendant length: 3m


Gear excluded.
◆ IP40

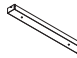


kreon oran pendant mounting options



 **surface mounted gearbox, 220-240Vdc, 50/60Hz**
for 1 module, 1 circuit
Gear: incl., Ø65 H155

 **surface mounted gearbox, 220-240Vdc, 50/60Hz**
for 1 module, 1 circuit
Gear: incl., Ø120 H30

 **surface mounted gearbox, 220-240Vdc, 50/60Hz**
for 2 modules, 1 circuit
Gear: incl., L500 W50 H30

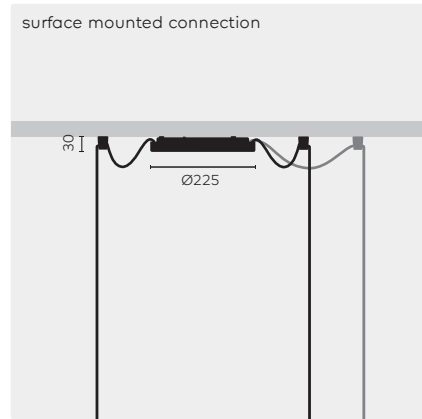
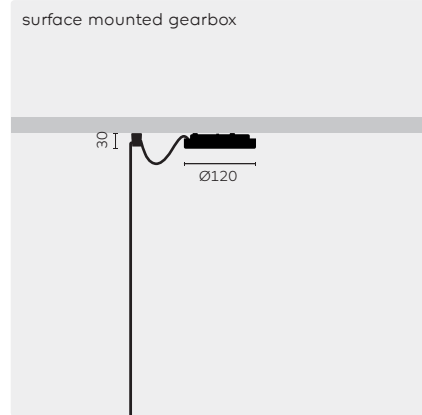
Colour
KR-code
PD Phase dimming
DD DALI dimming
CD Casambi dimming

Colour	KR-code	PD Phase dimming	DD DALI dimming	CD Casambi dimming
○	KR791231	●	●	
●	KR791232	●	●	
○	KR791431	●		
●	KR791432	●		
○	KR791201	●	●	●
●	KR791202	●	●	●

REMARKS

© IP20

kreon oran pendant mounting options



 **surface mounted gearbox, 220-240Vdc, 50/60Hz ①**
for 1 module, 1 circuit
Gear: incl., Switchable ON/OFF Ø160 H30

 **surface mounted gearbox, 220-240Vdc, 50/60Hz ①**
for 2 or 3 modules, 1 circuit
Gear: incl., Switchable ON/OFF Ø225 H30

Colour

KR-code

○ KR791004

● KR791005

○ KR791006

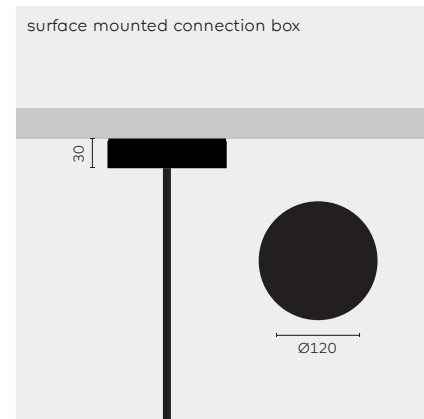
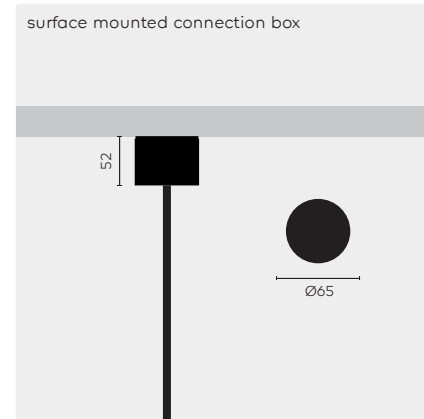
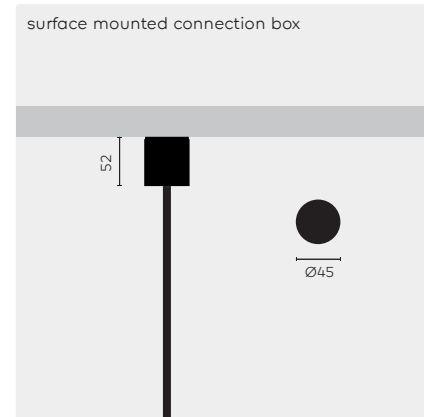
● KR791007


REMARKS


① Also available in Phase dim or DALI dim on request

© IP20

kreon oran pendant mounting options



 **surface mounted connection box**
Gear: excl., Ø45 H52

 **surface mounted connection box**
Gear: excl., Ø65 H52

 **surface mounted connection box**
Gear: excl., Ø120 H30

■ Required accessories

Recessed mounted

KR791100	Recessed suspension kit
KR707100	Installation kit Ø40, trimless, back installation, 13+mm panel
KR707102	Installation kit Ø40, trimless, back installation
KR707104	Plasterkit, no shadowgap Ø Ø63
KR707000	Plasterkit, Ø40, trimless, back installation, 13+mm panel
KR707002	Plasterkit, Ø40, trimless, back installation, 9-13mm
KR707106	Louvre for plasterkit, white
KR707122	Louvre for plasterkit, black
KR707124	Louvre for plasterkit, brushed bronze
KR707127	Louvre for plasterkit, brushed silver
KR707128	Louvre for plasterkit, brushed gold
KR707129	Louvre for plasterkit, gun black

■ Optional accessories

Driver

KR762700	LED driver, 700mA, ON/OFF, 1,4-11W ¹
KR772631	LED driver, 700mA, phase dim, 2,1-9,8W ¹
KR772632	LED driver, 700mA, 0/1-10V, 7-21W ¹
KR772633	LED driver, 700mA, DALI, 1,4-8,4W ¹
KR752633	LED driver, 700mA, DALI, 1,75-10W ¹

Distance ring (for plasterkit concrete)

KR707307	Distance ring 2mm (set of 5 pcs.)
KR707308	Distance ring 3mm (set of 5 pcs.)
KR707309	Distance ring 5mm (set of 5 pcs.)

REMARKS

¹ Driver fits through plasterkit.
Minimum installation depth is 180mm.

IP40

kreon recessed floor luminaires

up	314
up in-line	324

[↑ back to table of content](#)

kreon up

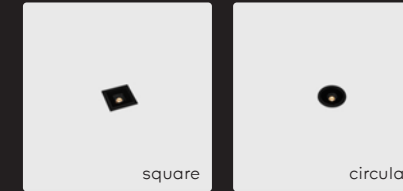
kreon up represents a collection of recessed floor luminaires with an IP67 rating, known for their simplistic design and outstanding optical performance. Available in square and circular shapes, the range offers three different sizes.

These luminaires feature a black or white backed toughened glass finish, accentuated by a satin stainless steel trim. LED modules are deep-set within the luminaires and are controlled using various options: anti-glare louvres for precise uplighting, brightness limiting diffusers for ambient or orientation lighting, and wallwash optics for vertical luminance. Additionally, the kreon up 40 variant is available as a surface mounted fixed downlight.

One of the notable advantages of kreon up is its stainless steel trim, which seamlessly integrates with the surroundings, creating a seamless connection. The units are fully sealed to meet the IP67 standard, offering robust protection against harsh environmental conditions. They are constructed with a combination of aluminum and plastic housing to ensure durability. Moreover, the maritime versions undergo special pre-treatment to maximize resistance against corrosion in salty environments.

[↑ back to overview page recessed floor luminaires](#)

up 40
316



square

circular

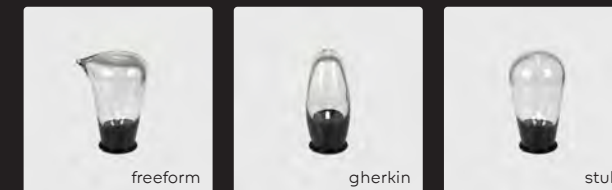
up 80
318



square

circular

up 80 glass series
320

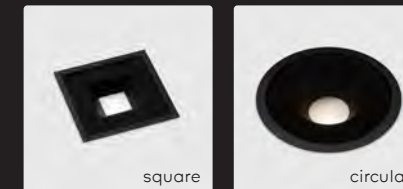


freeform

gherkin

stub

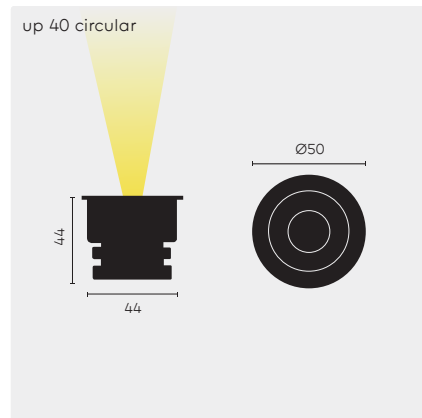
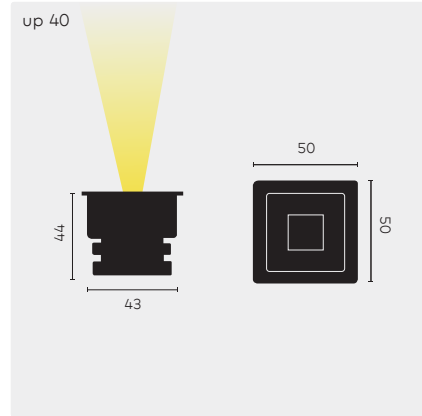
up 165
322



square

circular

kreon up 40



up 40



up 40 circular

■ **Optional accessories**

Driver ①

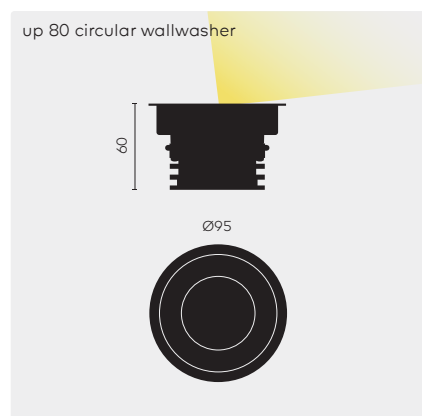
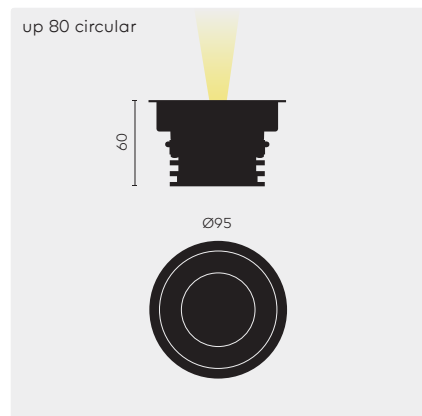
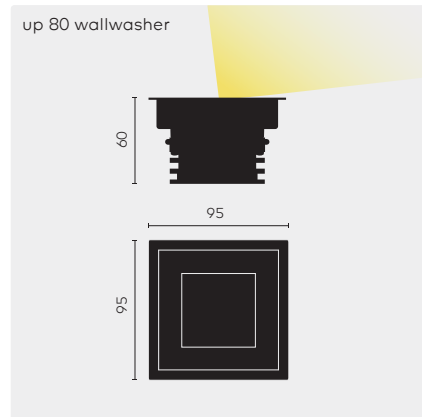
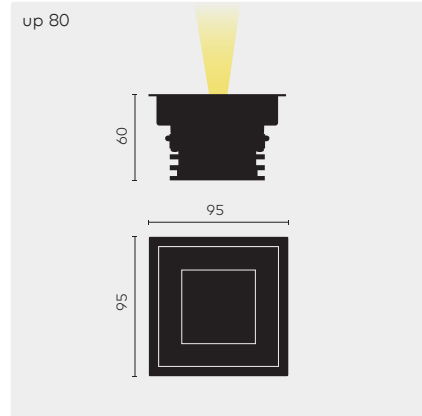
Colour	KR-code	Light sources	9027 2700K, CRI90+	9030 2700K, CRI90+	SP Spot	FL Flood	SB Spot with baffle	FB Flood with baffle	Optional accessories
○	KR952111	①	●	●	●	●	●	●	■
●	KR952112	①	●	●	●	●	●	●	■
○	KR952611	①	●	●	●	●	●	●	■
●	KR952612	①	●	●	●	●	●	●	■
			KR772630		LED driver, 700mA, ON/OFF, 30W (IP68)				
			KR772850		LED driver, 700mA, ON/OFF, 7.5W (IP67) ③				
			KR772752		LED driver, 700mA, 1-10V, 12W (IP67) ②				
			KR772853		LED driver, 700mA, DALI, 30W (IP68)				

	CRI	CCT	Wattage	Drive current	Fixture lumen
① LED	CRI90+	2700K/3000K	2W	700mA	149lm

REMARKS

- ① Must be placed on remote.
- ② Driver can only be used for at least 4 fixtures.
- ③ Available until stock runs out.

Thickness boardmaterial:
9-18mm
Gear excluded
◆ IP67 - IK06



up 80



up 80 circular

■ Required accessories

Removal tool

KR752110 Suction cup ②

■ Optional accessories

Matchbox

KR752303 Matchbox up 80

KR752803 Matchbox up 80 circular

Driver ①

KR772630 LED driver, 700mA, ON/OFF, 30W (IP68)

KR772752 LED driver, 700mA, 1-10V, 12W (IP67)

KR772753 LED driver, 700mA, DALI, 35W (IP68)

Colour	KR-code	Light sources	9027 2700K, CRI90+	9030 3000K, CRI90+	SP spot (21°)	FL flood (29°)	WFL wide flood (38°)	DF diffused (87°)	WW wallwasher	Required accessories	Optional accessories
○	KR952131	①	●	●	●	●	●	●	●	■	■
●	KR952132	①	●	●	●	●	●	●	●	■	■
○	KR952631	①	●	●	●	●	●	●	●	■	■
●	KR952632	①	●	●	●	●	●	●	●	■	■

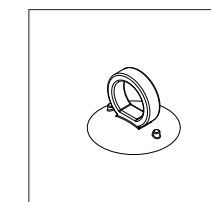
		CRI	CCT	Wattage	Drive current	Fixture lumen
①	LED	FL CRI90+	2700K/3000K	8,4W	700mA	341lm
		DF CRI90+	2700K/3000K	8,4W	700mA	111lm
		WW CRI90+	2700K/3000K	4W	700mA	263lm

REMARKS

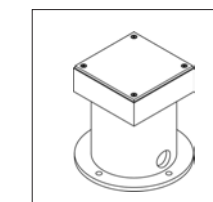
- ① Must be placed on remote.
- ② To be used in maintenance. One per project is recommended.

Gear excluded
◆ IP67 - IK09

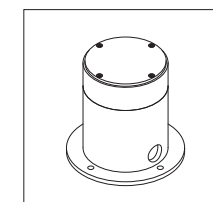
Suction cup



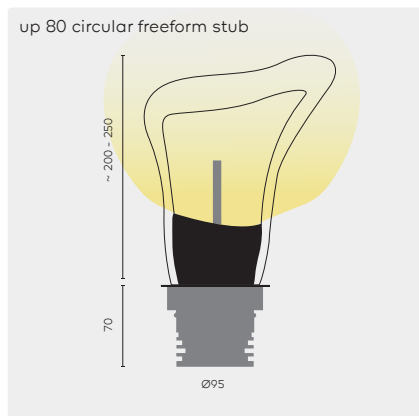
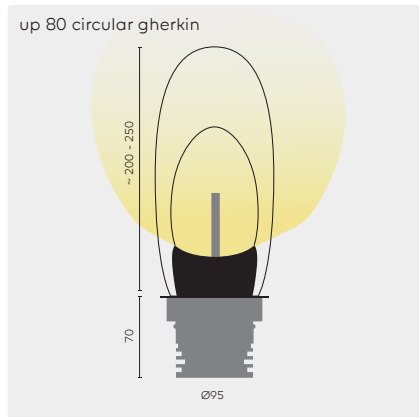
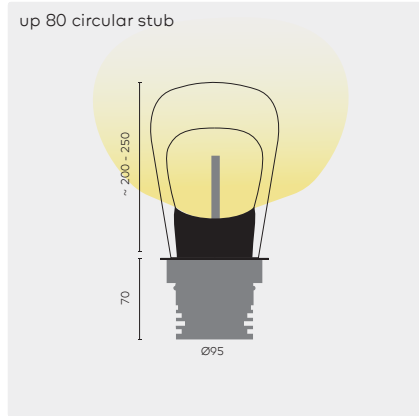
Matchbox up 80






Matchbox up 80 circular



kreon up 80 glass series



	Colour	KR-code	Light sources	9027 2700K, CRI90+	Optional accessories
 up 80 circular stub	●	KR952702	①	●	■
 up 80 circular gherkin	●	KR952712	①	●	■
 up 80 circular freeform stub	●	KR952722	①	●	■
■ Optional accessories					
Matchbox		KR752803	Matchbox up 80 circular		
Driver ①		KR772630	LED driver, 700 mA, ON/OFF, 30W (IP68)		
		KR772752	LED driver, 700mA, 1-10V, 12W (IP67)		
		KR772753	LED driver, 700 mA, DALI, 35W (IP68)		
Installation tube		KR752700	Installation tube for in-sand installations		

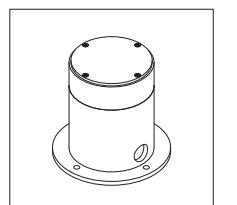
	CRI	CCT	Wattage	Drive current	Fixture lumen
① LED	CRI90+	2700K	8,4W	700mA	152lm

REMARKS

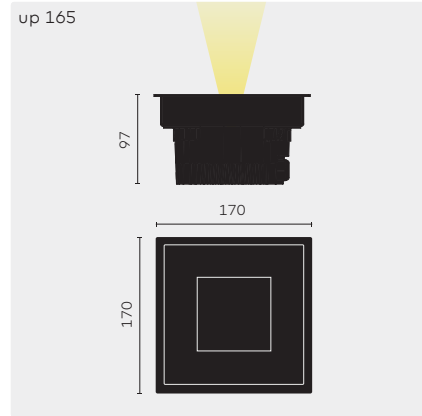
① Must be placed on remote.

The stated dimensions are only to be used as a reference. Actual dimensions may vary. Each unit is unique due to the artisanal production technique. Gear excluded
 ◆ IP67

Matchbox up 80 circular



kreon up 165

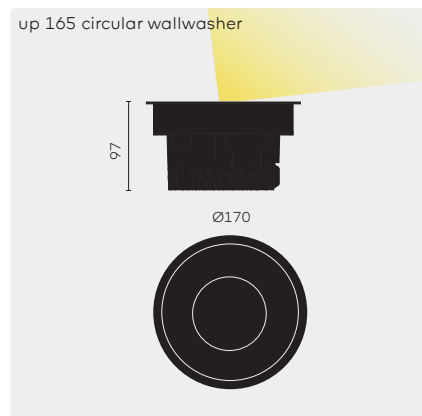
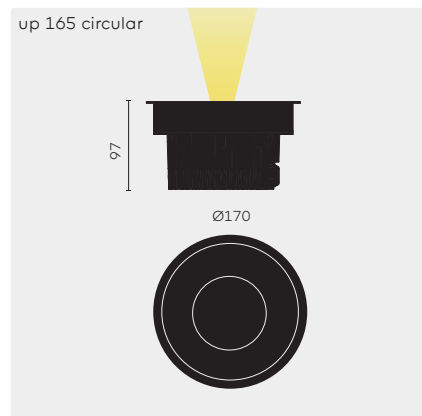
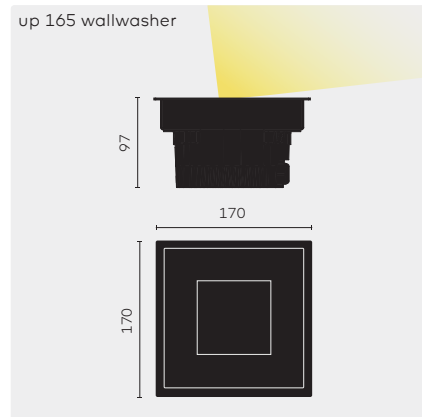


up 165
anti-glare louvre incl.

up 165 wallwasher

up 165 circular
anti-glare louvre incl.

up 165 circular wallwasher



■ **Optional accessories**

Matchbox

KR782104 Matchbox for up (in-line) 165 square

KR782604 Matchbox for up (in-line) 165 circular

Coupling sleeve

KR782105 Coupling sleeve

Driver

KR772630 LED driver, 700 mA, ON/OFF, 30W (IP68)

KR772852 LED driver, 700 mA, 1-10V, 30W (IP67)

KR772853 LED driver, 700 mA, DALI, 30W (IP68)

		CRI	CCT	Wattage	Drive current	Fixture lumen
①	LED	CRI90+	2700K/3000K	17,1W	700mA	824lm
②	LED	CRI90+	2700K/3000K	17,1W	700mA	1099lm

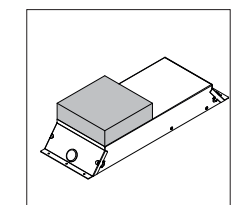
REMARKS

① Suitable for coastal regions, pools and saunas. In these cases bathroom rules need to be applied.

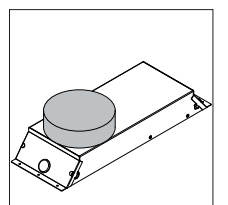
Gear excluded
IP67 - IK10

Colour	KR-code	Light sources	9027 2700K, CRI90+	9030 3000K, CRI90+	C5 Maritime ①	Optional accessories
○	KR982121	①	●	●	●	■
●	KR982122	①	●	●	●	■
○	KR982181	②	●	●	●	■
●	KR982182	②	●	●	●	■
○	KR982621	①	●	●	●	■
●	KR982622	①	●	●	●	■
○	KR982681	②	●	●	●	■
●	KR982682	②	●	●	●	■

Matchbox up 165



Matchbox up 165 circular



kreon up in-line

kreon up in-line is a range of floor recessed up lighters characterised by its minimal appearance and optical functionality. Available in both square and circular shapes, the range comes in two sizes and features black or white backed toughened glass finishes.

The LED modules are deep-set within the luminaires and can be controlled using a variety of options: an anti-glare louvre for precise uplighting, a brightness limiting diffuser for ambient or orientation lighting, and a wall wash optic for vertical illuminance.

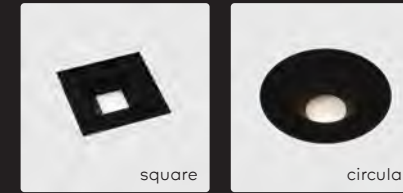
One of the key advantages of kreon up in-line is its miniature stainless steel trim, which seamlessly blends into the surroundings, ensuring seamless integration. These units boast IP67 rating, making them fully sealed and protected against even the harshest environmental conditions. Crafted from durable materials like die-cast aluminum and stainless steel, they provide long-lasting durability.

[↑ back to overview page recessed floor luminaires](#)

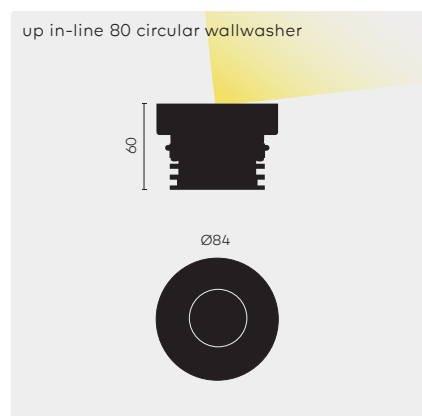
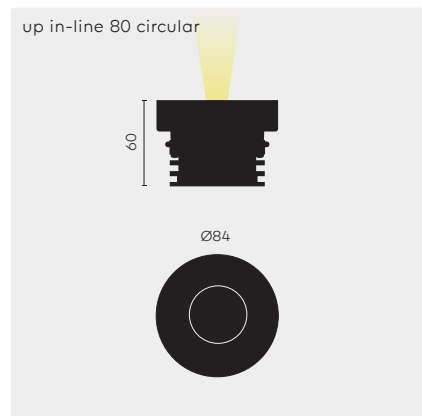
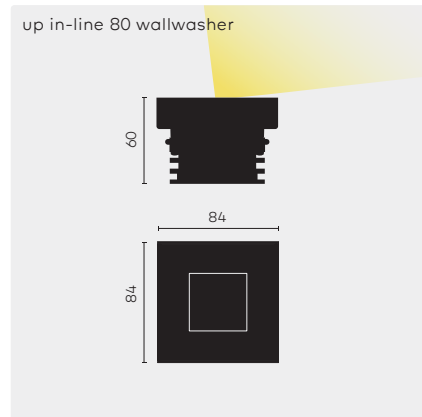
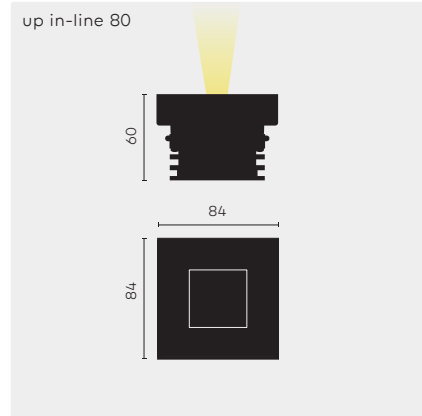
up in-line 80
326



up in-line 165
328



kreon up in-line 80



up in-line 80

up in-line 80 circular

Required accessories

Removal tool

KR752110 Suction cup ②

Optional accessories

Matchbox

KR752303 Matchbox up 80

KR752803 Matchbox up 80 circular

Driver ①

KR772630 LED driver, 700mA, ON/OFF, 30W (IP68)

KR772752 LED driver, 700mA, 1-10V, 12W (IP67)

KR772753 LED driver, 700mA, DALI, 35W (IP68)

		CRI	CCT	Wattage	Drive current	Fixture lumen
① LED	FL	CRI90+	2700K/3000K	8,4W	700mA	341lm
	DF	CRI90+	2700K/3000K	8,4W	700mA	111lm
	WW	CRI90+	2700K/3000K	4W	700mA	263lm

REMARKS

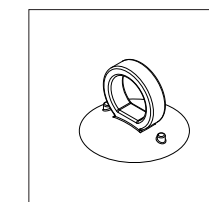
① Must be placed on remote
 ② To be used in maintenance.
 One per project is recommended.

Thickness boardmaterial:
 6-35mm

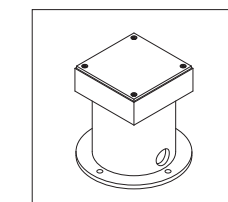
Gear excluded
 ♦ IP67 - IK09

Colour	KR-code	Light sources	9027 2700K, CRI90+	9030 3000K, CRI90+	SP spot (21°)	FL flood (29°)	WFL wide flood (38°)	DF diffused (87°)	WW wallwasher	Required accessories	Optional accessories
○	KR952331	①	●	●	●	●	●	●	●	■	■
●	KR952332	①	●	●	●	●	●	●	●	■	■
○	KR952831	①	●	●	●	●	●	●	●	■	■
●	KR952832	①	●	●	●	●	●	●	●	■	■

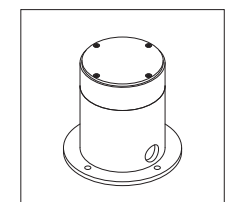
Suction cup



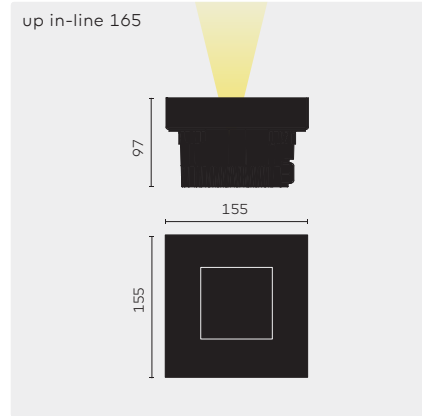
Matchbox up in-line 80



Matchbox up in-line 80 circular



kreon up in-line 165

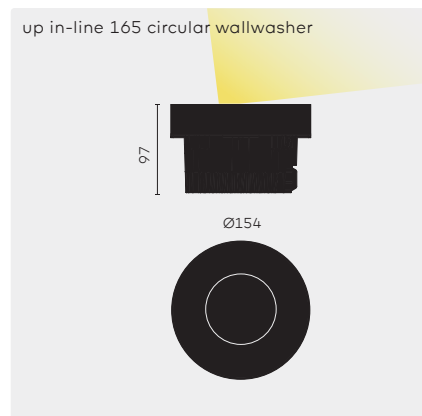
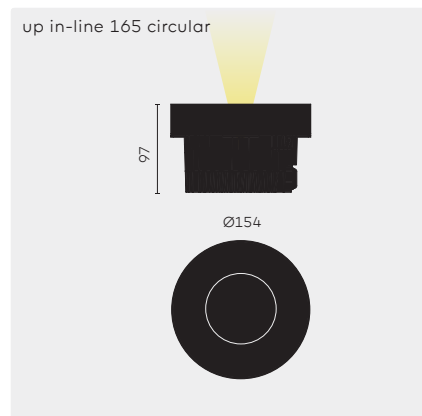
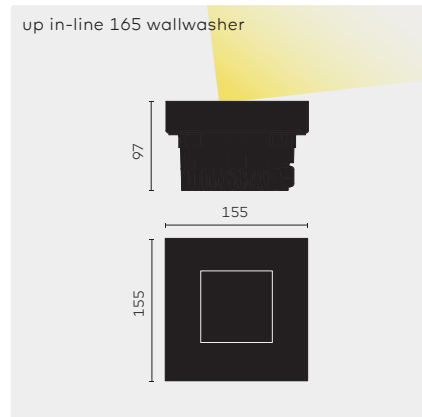


up in-line 165
anti-glare louvre incl.

up in-line 165 wallwasher

up in-line 165 circular
anti-glare louvre incl.

up in-line 165 circular wallwasher



■ **Optional accessories**

Matchbox

KR782104 Matchbox for up in-line 165 square

KR782604 Matchbox for up in-line 165 circular

Coupling sleeve

KR782105 Coupling sleeve

Driver

KR772630 LED driver, 700mA, ON/OFF, 30W (IP68)

KR772852 LED driver, 700mA, 1-10V, 30W (IP67)

KR772853 LED driver, 700mA, DALI, 30W (IP68)

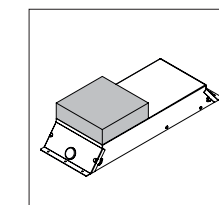
		CRI	CCT	Wattage	Drive current	Fixture lumen
①	LED	CRI90+	2700K/3000K	17,1W	700mA	824lm
②	LED	CRI90+	2700K/3000K	17,1W	700mA	1099lm

REMARKS

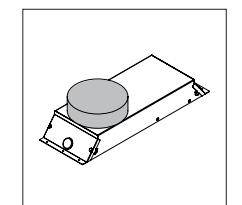
① Suitable for coastal regions, pools and saunas. In these cases bathroom rules need to be applied.

Thickness boardmaterial:
6-35mm
Gear excluded
IP67 - IK10

Matchbox up in-line 165



Matchbox up in-line 165 circular



kreon free standing luminaires

esprit

332

[↑ back to table of content](#)

kreon esprit comes in three different types: free-standing, ceiling mounted or suspended with single, double and in the suspended version up to 4 lamp heads. The kreon esprit adjustable slim-lined spotlights are available in black or white, in 2700K and 3000K LED for CRI90+. The luminaire heads can be rotated by 355° and placed in any random angle from 0° to 90°.

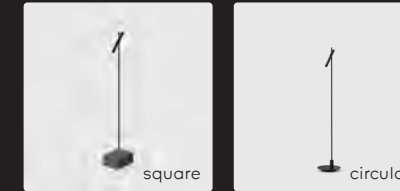
kreon esprit ceiling is a ceiling mounted spotlight that can be installed using the kreon down 80 trimless plasterkit.

kreon esprit floor is a free-standing luminaire that can be equipped with either a square base in white Carrara marble or natural blue steel or with a round base. A new feature for the kreon esprit floor is a push dim button on top of the vertical bar, which makes the device even easier to operate. The luminaire is optionally available with Casambi Bluetooth remote dimming and switching function.

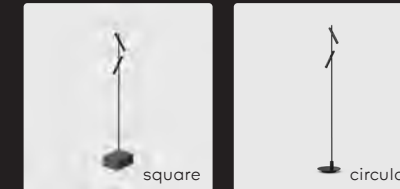
kreon esprit pendant are 3 or 4 individual lampheads mounted on a slender horizontal bar with steel tension cable suspension for maximum flexibility. It can be installed as an individual element or in a cluster of two or more.

[↑ back to overview page free standing luminaires](#)

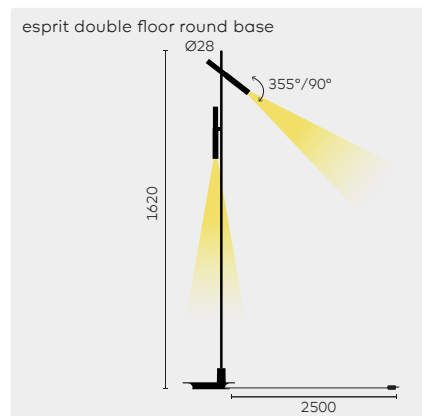
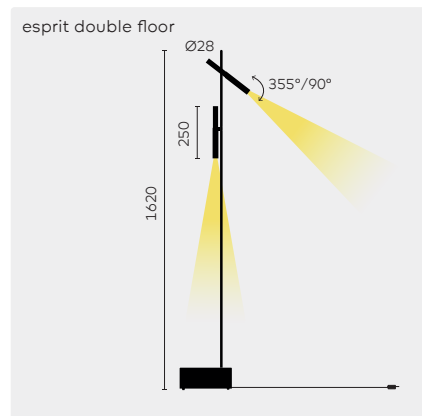
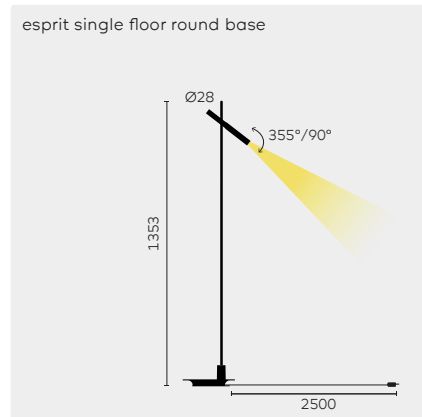
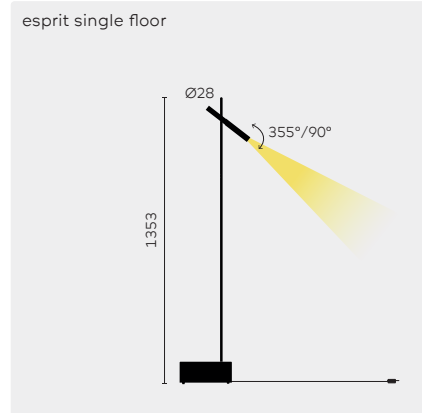
esprit single floor
334



esprit double floor
334



kreon esprit floor



	Colour	KR-code	Light sources	9027 2700K, CRI90+	9030 3000K, CRI90+	SP Spot (20°)	DL Darklight (33°)	WDL Wide darklight (56°)	P1 White painted lamphead 1	P2 Black painted lamphead 1	A4 Brushed bronze lamphead 1	A7 Brushed silver lamphead 1	AB Brushed gold lamphead 1	A9 Gun black lamphead 1
esprit single floor carrara bianco Gear: incl. in base	○	KR963211	①	●	●	●	●	●	●	●	●	●	●	●
	●	KR963212	①	●	●	●	●	●	●	●	●	●	●	●
esprit single floor natural steel blue Gear: incl. in base	○	KR963311	①	●	●	●	●	●	●	●	●	●	●	●
	●	KR963312	①	●	●	●	●	●	●	●	●	●	●	●
esprit single floor round base Gear: incl. in base	○	KR963411	①	●	●	●	●	●	●	●	●	●	●	●
	●	KR963412	①	●	●	●	●	●	●	●	●	●	●	●
esprit double floor carrara bianco Gear: incl. in base	○	KR963221	②	●	●	●	●	●	●	●	●	●	●	●
	●	KR963222	②	●	●	●	●	●	●	●	●	●	●	●
esprit double floor natural steel blue Gear: incl. in base	○	KR963321	②	●	●	●	●	●	●	●	●	●	●	●
	●	KR963322	②	●	●	●	●	●	●	●	●	●	●	●
esprit double floor round base Gear: incl. in base	○	KR963421	②	●	●	●	●	●	●	●	●	●	●	●
	●	KR963422	②	●	●	●	●	●	●	●	●	●	●	●

		CRI	CCT	Voltage	Wattage	Fixture lumen
①	SP	CRI90+	2700K/3000K	230V	2W	162lm
	DL/WDL	CRI90+	2700K/3000K	230V	8,4W	370lm
②	SP	CRI90+	2700K/3000K	230V	2x2W	2x162lm
	DL/WDL	CRI90+	2700K/3000K	230V	2x8,4W	2x370lm

REMARKS

① Other types of finishes on request.

② Supplied with 2,5m black braided sleeved powercable.

IP40

kreon profile systems

cana	338
dolma	372
inline	380
kagi	388
lini	414
nuit	420
rei	434

[↑ back to table of content](#)

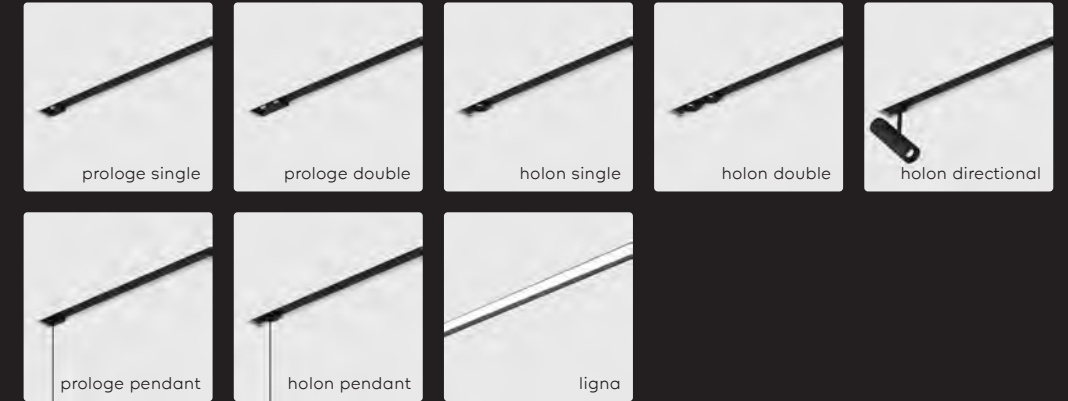
kreon cana

kreon cana is a minimal architectural lighting channel that can be equipped with a wide range of LED luminaires. When recessed, the white version of kreon cana adds depth to ceiling surfaces, while the black variant creates a visible separation. Whether mounted on surfaces or suspended, kreon cana offers an architectural beam that seamlessly integrates with the surrounding lighting.

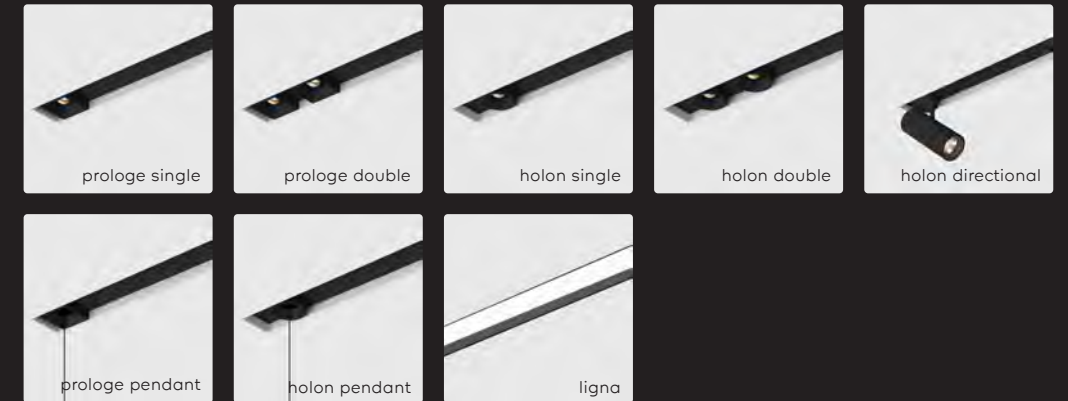
kreon cana is offered in three widths and can accommodate kreon holon circular or kreon prologe square. A wide choice of luminaires can be mixed and arranged to suit the spatial demands and present illumination where it is required. This allows for a diverse selection of lighting options that can be mixed and arranged to meet the specific spatial requirements and provide illumination precisely where it's needed. The possibilities for lighting configurations are endless, ranging from semi-recessed downlights, directional spots, and linear lighting to more ornamental pendant luminaires.

[↑ back to overview page profile systems](#)

cana 40 340



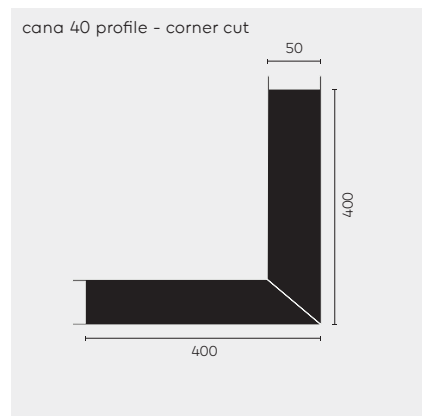
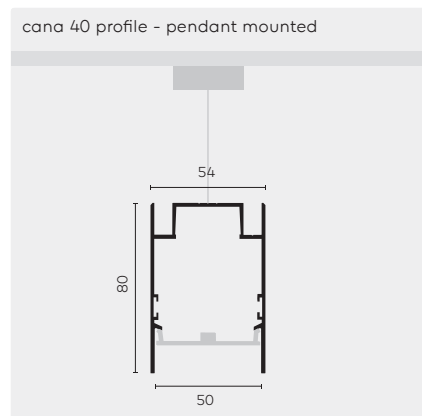
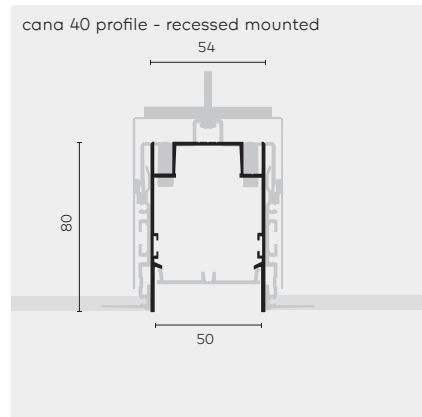
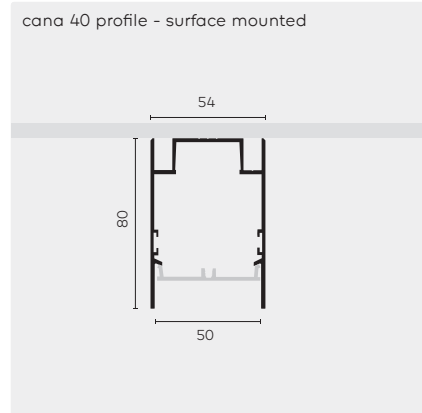
cana 80 356



cana 120 366



kreon cana 40



Optional accessories

Plasterkit for recessed mounting ②

Suspension kit for pendant mounting ③

Corner cut ④

Colour

KR-code

Optional accessories



KR755201



KR755202



KR705000

Trimless plasterkit profile ② LxW Lx75 H 115

KR705200

Suspension kit

KR705202

Additional suspension



KR705501

cana 40 corner cut 90°, white



KR705502

cana 40 corner cut 90°, black

KR705560

Trimless plasterkit corner cut 90°

REMARKS

① Maximum length of a single run profile: 5900mm. Shipping length depends on transport possibilities.

② Profile should be finished with polyester gypsum. Max. thickness boardmaterial: 26mm.

③ Pendant height is max. 2,5m. Suspension kit is suitable for 2m of pendant profile. Every extra 2 meter requires an additional steel suspension.

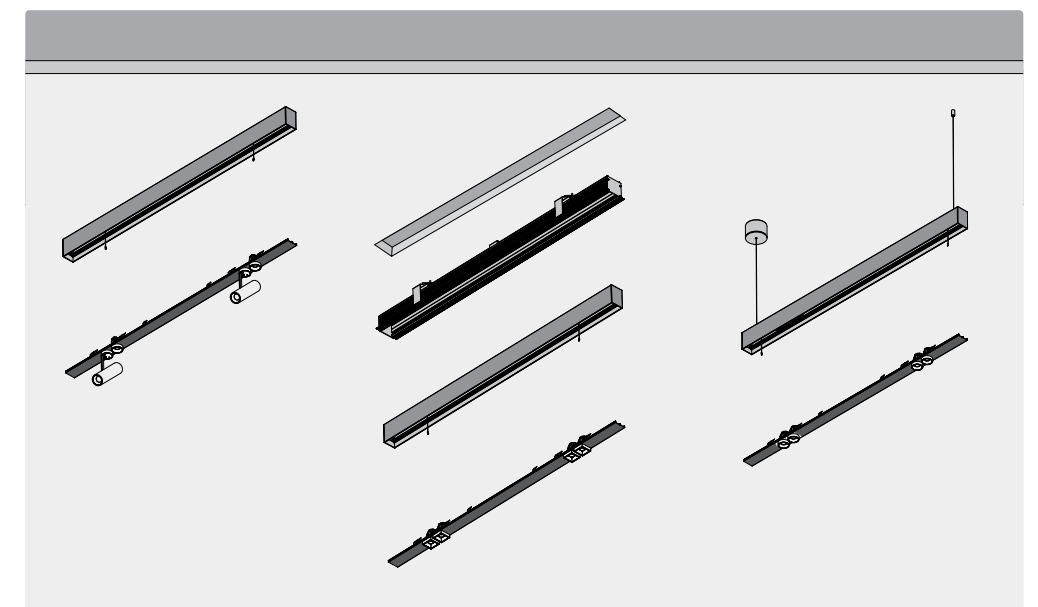
④ No luminaires can be placed in the corner cut.

The profile is supplied pre-assembled. The coverplates on the inside of the profile are always black.
IP40

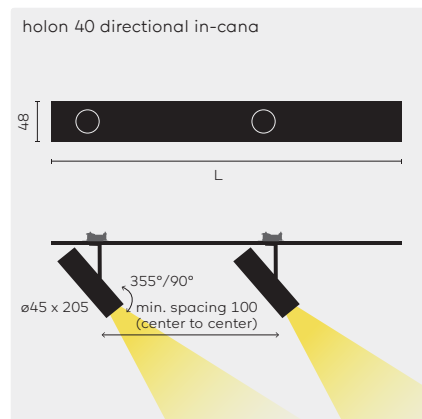
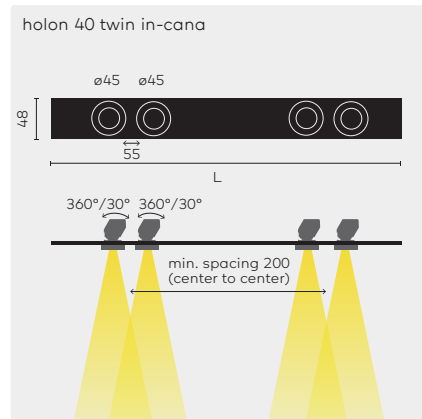
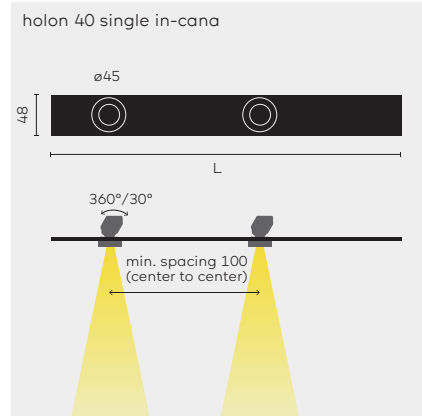
Surface mounted

Recessed mounted

Pendant mounted



kreon cana 40 holon



holon 40 single in-cana
Min. module spacing: 100 ②

holon 40 twin in-cana
Min. module spacing: 200 ②

holon 40 directional in-cana
Min. module spacing: 100 ②

Optional accessories

High output ⑤ ⑥

Lenses holon 40 directional -SP, -FL, -WFL in-cana

Driver
(For fixtures with drive excluded)

Colour ①	KR-code	Light sources	9027 2700K, CRI90+	9030 3000K, CRI90+	SP Spot (10°)	FL Flood (24°)	WFL Wide flood (46°)	SP Spot (20°)	FL Flood (30°)	WFL Wide flood (40°)	EX Driver excluded ③	SW Switchable ON/OFF ④	PD Phase dimming ④	VD 1-10V dimming ④	DD DALI dimming ④	Optional accessories
○	KR934001 ①		●	●	●	●	●				●	●	●	●	●	■
●	KR934002 ①		●	●	●	●	●				●	●	●	●	●	■
○	KR934501 ②		●	●	●	●	●				●	●	●	●	●	■
●	KR934502 ②		●	●	●	●	●				●	●	●	●	●	■
○	KR934301 ③		●	●				●	●	●	●	●	●	●	●	■
●	KR934302 ③		●	●				●	●	●	●	●	●	●	●	■

KR762600 1050mA drive current on modules

KR762000 Anti-glare louvre

KR762200 Diffusing lens

KR762100 Sculpture lens

KR772034 LED driver, 700mA, ON/OFF, 20W

KR772050 LED driver, 700mA, ON/OFF, 50W

KR772232 LED driver, 700mA, 1-10V, 20W

KR772532 LED driver, 700mA, 1-10V, 60W

KR772134 LED driver, 700mA, DALI, 20W

KR772333 LED driver, 700mA, DALI, 60W

REMARKS

① The coverplates on the inside of the profile are always black.

② The minimum module spacing is the minimum center distance to the next in-cana 40 module.

③ Use constant current LED driver on remote. One circuit may not exceed a forward voltage of 48VDC to keep the profile class 3. Max. 2 circuits.

④ LED drivers set at 700mA are integrated in the profile. Class 1 profile, input voltage is 230V. Max. 1 circuit.

⑤ Set the drive current of modules to 1050mA. Only possible with -SW, -VD or -DD modules.

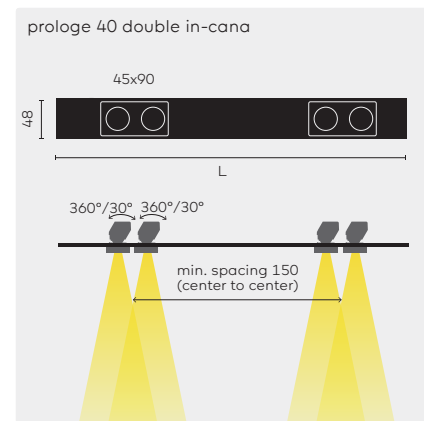
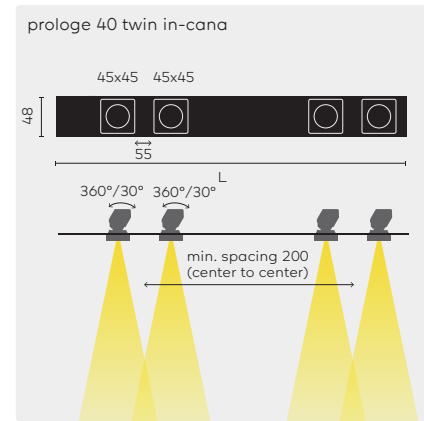
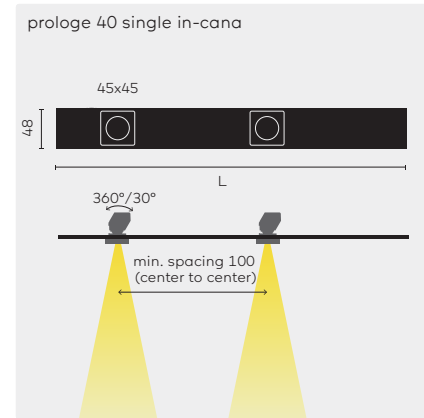
⑥ One piece per module

The luminaire modules are supplied pre-assembled in the profile. Combinations can be specified on order form. Consult your kreon sales representative or one of the kreon offices. IP40

	CRI	CCT	Wattage	Drive current	Fixture lumen
① LED	CRI90+	2700K/3000K	2W	700mA	121lm
			3,2W	1050mA	143lm
② LED	CRI90+	2700K/3000K	2 x 2W	700mA	243lm
			2 x 3,2W	1050mA	286lm
③ LED	CRI90+	2700K/3000K	8,4W	700mA	558lm

kreon cana 40

prologe & ligna



	Colour ①	KR-code	Light sources	8527 2700K, CR85+	8530 3000K, CR85+	9027 2700K, CR90+	9030 3000K, CR90+	SP Spot (10°)	FL Flood (24°)	WFL Wide flood (46°)	EX Driver excluded ③	SW Switchable ON/OFF ④	PD Phase dimming ④	VD 1-10V dimming ④	DD DALI dimming ④	Optional accessories
prologe 40 single in-cana Min. module spacing: 100 ②	○	KR934051	①	●	●	●	●	●	●	●	●	●	●	●	●	■
	●	KR934052	①	●	●	●	●	●	●	●	●	●	●	●	●	■
prologe 40 twin in-cana Min. module spacing: 200 ②	○	KR934551	②	●	●	●	●	●	●	●	●	●	●	●	●	■
	●	KR934552	②	●	●	●	●	●	●	●	●	●	●	●	●	■
prologe 40 double in-cana Min. module spacing: 150 ②	○	KR934751	②	●	●	●	●	●	●	●	●	●	●	●	●	■
	●	KR934752	②	●	●	●	●	●	●	●	●	●	●	●	●	■
ligna 40 in-cana High efficiency		KR934900	③	●	●						●	●		●	●	■
ligna 40 in-cana High output		KR934902	④	●	●						●	●		●	●	■

Optional accessories

High output ⑤ ⑥	KR762600	1050mA drive current on modules
Driver (for fixtures with driver excluded)	KR772034	LED driver, 700mA, ON/OFF, 20W
	KR772050	LED driver, 700mA, ON/OFF, 50W
	KR772232	LED driver, 700mA, 1-10V, 20W
	KR772532	LED driver, 700mA, 1-10V, 60W
	KR772134	LED driver, 700mA, DALI, 20W
	KR772133	LED driver, 700mA, DALI, 30W
	KR772333	LED driver, 700mA, DALI, 60W
Power Supply (for ligna driver exclusive)	KR490373	LED power supply 24VDC, 30W, ON-OFF
	KR490374	LED power supply 24VDC, 60W, ON-OFF
	KR490375	LED power supply 24VDC, 100W, 0-10V
	KR772160	LED power supply 24VDC, 150W, ON-OFF
Controller (for ligna driver exclusive)	KR774006	DALI/DMX controller for ligna 40 in-cana, max. 720W, 4 control channels, 12-48Vdc input

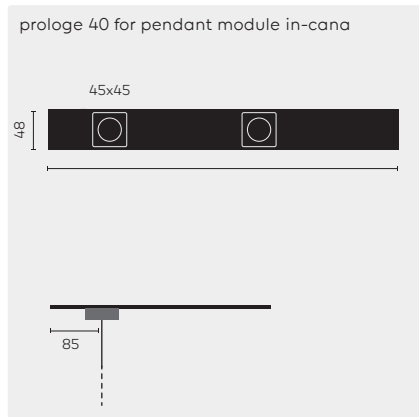
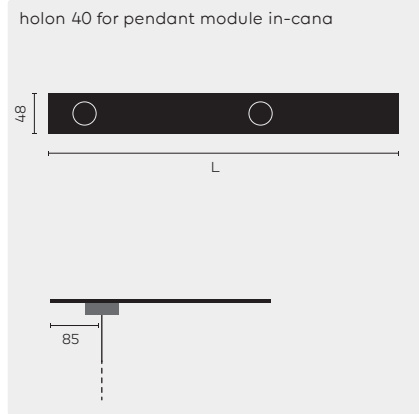
	CRI	CCT	Wattage	Drive current	Fixture lumen
① LED	CRI90+	2700K/3000K	2W	700mA	121lm
			3,2W	1050mA	143lm
② LED	CRI90+	2700K/3000K	2 x 2W	700mA	243lm
			2 x 3,2W	1050mA	286lm
③ LED	CRI85+	2700K / 3000K	11,6W/m	24Vdc	921lm/m
④ LED	CRI85+	2700K / 3000K	19,2W/m	24Vdc	1417lm/m


REMARKS


- ① The coverplates on the inside of the profile are always black.
- ② The minimum module spacing is the minimum center distance to the next in-cana 40 module.
- ③ Use constant current LED driver on remote. One circuit may not exceed a forward voltage of 48VDC to keep the profile class 3. Max. 2 circuits.
- ④ LED drivers set at 700mA are integrated in the profile. Class 1 profile, input voltage is 230V. Max. 1 circuit.
- ⑤ set the drive current of modules to 1050mA. Only possible with -SW, -VD or -DD modules.
- ⑥ One piece per module

The luminaire modules are supplied pre-assembled in the profile. Combinations can be specified on order form. Consult your kreon sales representative or one of the kreon offices.
IP40

kreon cana 40 pendant modules



 **holon 40 for pendant module in-cana**
(coming soon)

 **prologe 40 for pendant module in-cana**
(coming soon)

Colour ①	KR-code	EX ② Driver excluded	SW ③ Switchable ON/OFF	PD ④ Phase dimming	VD ⑤ 1-10V dimming	DD ⑥ DALI dimming	Required accessories	optional accessories
○	<u>KR934031</u>	●	●	●	●	●	■	■
●	<u>KR934032</u>	●	●	●	●	●	■	■
○	<u>KR934041</u>	●	●	●	●	●	■	■
●	<u>KR934042</u>	●	●	●	●	●	■	■

■ Required accessories

Pendants

See page 348-355

■ Optional accessories

Driver (for fixtures with driver excluded)

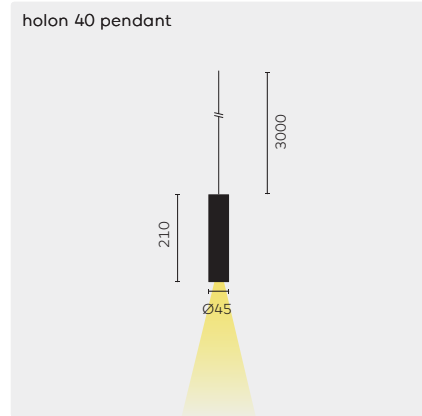
<u>KR772034</u>	LED driver, 700mA, ON/OFF, 20W
<u>KR772050</u>	LED driver, 700mA, ON/OFF, 50W
<u>KR772232</u>	LED driver, 700mA, 1-10V, 20W
<u>KR772532</u>	LED driver, 700mA, 1-10V, 60W
<u>KR772134</u>	LED driver, 700mA, DALI, 20W
<u>KR772133</u>	LED driver, 700mA, DALI, 30W
<u>KR772333</u>	LED driver, 700mA, DALI, 60W

REMARKS

- ① The coverplates on the inside of the profile are always black.
- ② Use constant current LED driver on remote. One circuit may not exceed a forward voltage of 48VDC to keep the profile class 3. Max. 2 circuits.
- ③ LED drivers set at 700mA are integrated in the profile. Class 1 profile, input voltage is 230V. Max. 1 circuit.

The pendant modules are supplied pre-assembled in the profile. Combinations can be specified on order form. Consult your kreon sales representative or one of the kreon offices.
IP40

kreon cana holon 40 pendant



holon 40 pendant

Colour	KR-code	Light sources	9027 2700K, CRI90+	9030 3000K, CRI90+	SP Spot (20°)	FL Flood (35°)	WFL Wide flood (55°)	DL Dark light (35°) ①	MDL Wide dark light (55°) ①	P1 Louvre painted white ②	P2 Louvre painted black ②	A5 Louvre red copper ②
○	KR962001	①	●	●	●	●	●	●	●	●	●	●
●	KR962002	①	●	●	●	●	●	●	●	●	●	●

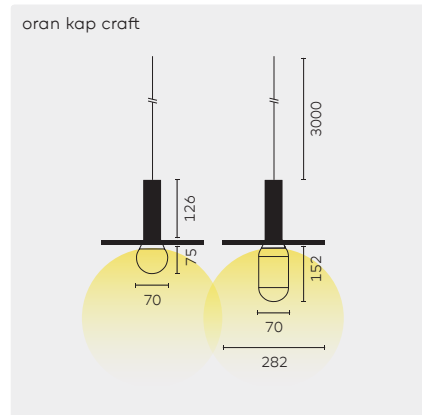
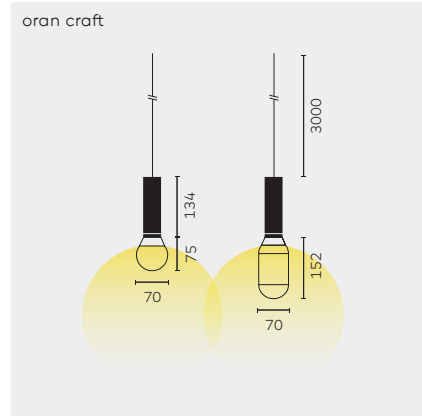
		CRI	CCT	Voltage	Wattage	Drive current	Fixture lumen
①	LED	CRI90+	2700K/3000K		8,4W	700mA	558lm
	darklight	CRI90+	2700K/3000K		8,4W	700mA	420lm

REMARKS

- ① Only available in combination with black or red copper louvre and CRI90+.
 - ② Finishing colour of the louvre in the holon 40 pendant cylinder.
- Length pendant cord: 3000mm
IP40

kreon cana

oran pendant craft



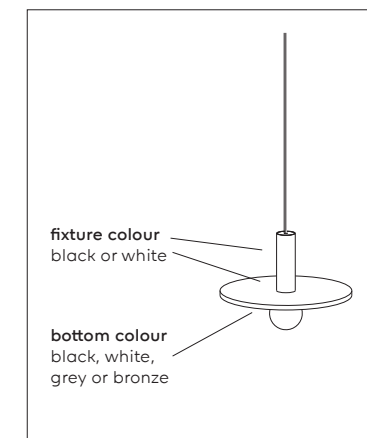
	Colour	KR-code	Light sources	9027 2700K, CRI90+	9030 3000K, CRI90+	P1 White shade bottom	P2 Black shade bottom	A3 Grey shade bottom	A4 Bronze shade bottom
oran pendant craft sphere bulb in-cana	○	<u>KR991121</u>	①	●	●				
	●	<u>KR991122</u>	①	●	●				
oran pendant craft long ampoule in-cana	○	<u>KR991521</u>	①	●	●				
	●	<u>KR991522</u>	①	●	●				
oran pendant kap craft sphere bulb in-cana	○	<u>KR991141</u>	①	●	●	●			
	●	<u>KR991142</u>	①	●	●		●	●	●
oran pendant kap craft long ampoule in-cana	○	<u>KR991541</u>	①	●	●	●			
	●	<u>KR991542</u>	①	●	●		●	●	●

			CRI	CCT	Wattage	Drive current	Fixture lumen
①	LED	glass	CRI90+	2700K/3000K	6,7W	700mA	307lm

REMARKS

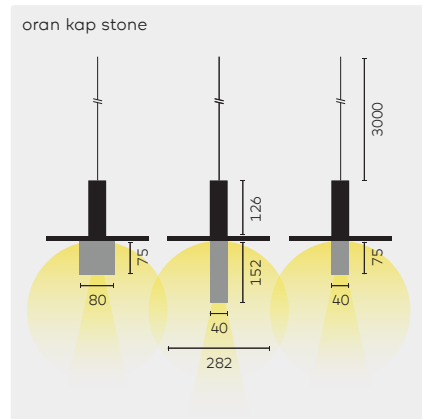
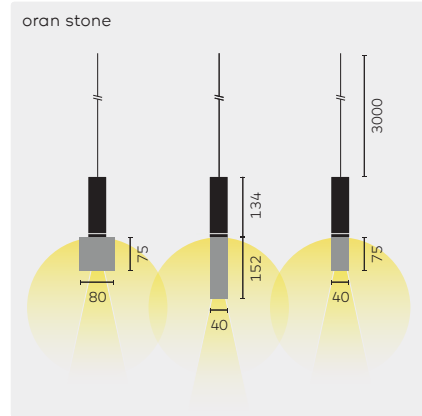
The stated dimensions of the glass and albast are only to be used as a reference. Actual dimensions may vary. Each unit is unique due to the artisanal production technique.








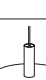
◆ IP40



kreon cana

oran pendant stone



	Colour	KR-code	Light sources	9027 2700K, CRI90+	9030 3000K, CRI90+	P1 White shade bottom	P2 Black shade bottom	A3 Grey shade bottom	A4 Bronze shade bottom
 oran pendant stone in-cana, large cube 1	○	KR991211	①	●	●				
	●	KR991212	①	●	●				
 oran pendant stone in-cana, large cylinder 1	○	KR991111	①	●	●				
	●	KR991112	①	●	●				
 oran pendant stone in-cana, small cylinder 1	○	KR991311	①	●	●				
	●	KR991312	①	●	●				
 oran pendant stone in-cana, long cylinder 1	○	KR991411	①	●	●				
	●	KR991412	①	●	●				
 oran pendant kap stone in-cana, large cube 1	○	KR991231	①	●	●	●			
	●	KR991232	①	●	●		●	●	●
 oran pendant kap stone in-cana, large cylinder 1	○	KR991131	①	●	●	●			
	●	KR991132	①	●	●		●	●	●
 oran pendant kap stone in-cana, small cylinder 1	○	KR991331	①	●	●	●			
	●	KR991332	①	●	●		●	●	●
 oran pendant kap stone in-cana, long cylinder 1	○	KR991431	①	●	●	●			
	●	KR991432	①	●	●		●	●	●

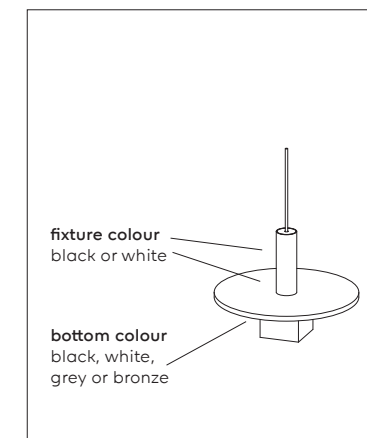
	CRI	CCT	Wattage	Drive current	Fixture lumen
① LED	CRI90+	2700K/3000K	6,7W	700mA	② 315lm

REMARKS

- ① Protect the alabaster block against direct sunlight and temperatures above 50°C.
- ② Lumen output may vary due to the use of natural products.

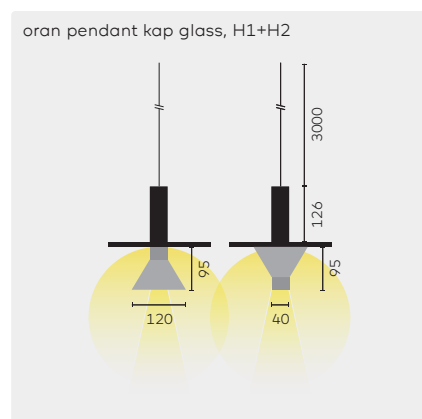
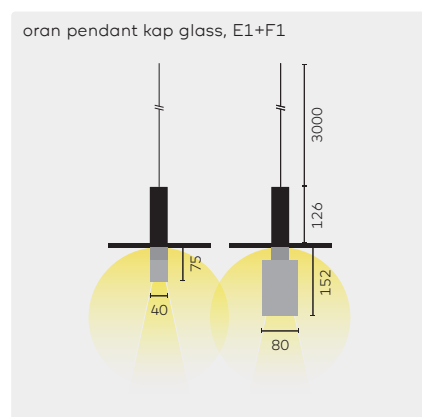
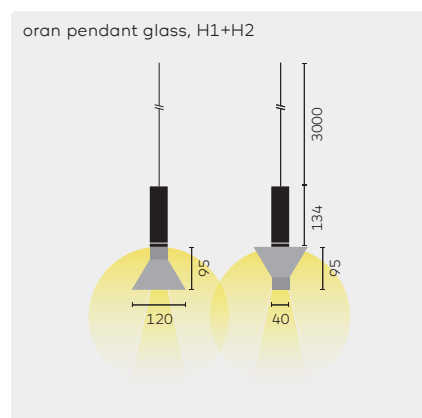
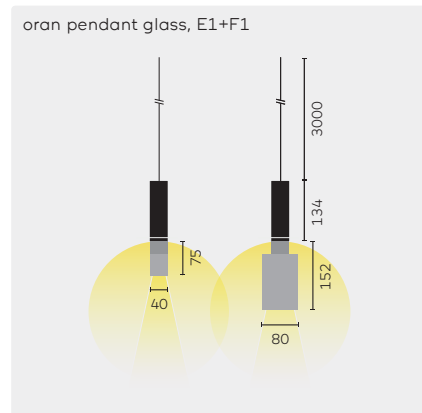
Pendant length: 3m

Gear excluded
◆ IP40



kreon cana

oran pendant glass



	Colour	KR-code	Light sources	9027 2700K, CRI90+	9030 3000K, CRI90+	P1 White shade bottom	P2 Black shade bottom	A3 Grey shade bottom	A4 Bronze shade bottom	Required accessories
oran pendant glass in-cana, cylinder, E1	○	KR971111	①	●	●					■
	●	KR971112	①	●	●					■
oran pendant glass in-cana, double cylinder, F1	○	KR971311	②	●	●					■
	●	KR971312	②	●	●					■
oran pendant glass in-cana, cone, H1	○	KR971211	③	●	●					■
	●	KR971212	③	●	●					■
oran pendant glass in-cana, cone, H2	○	KR971411	④	●	●					■
	●	KR971412	④	●	●					■
oran pendant kap glass in-cana, cylinder, E1	○	KR971131	⑤	●	●	●				■
	●	KR971132	⑤	●	●		●	●	●	■
oran pendant kap glass in-cana, double cylinder, F1	○	KR971331	⑥	●	●	●				■
	●	KR971332	⑥	●	●		●	●	●	■
oran pendant kap glass in-cana, cone, H1	○	KR971231	⑦	●	●	●				■
	●	KR971232	⑦	●	●		●	●	●	■
oran pendant kap glass in-cana, cone, H2	○	KR971431	⑧	●	●	●				■
	●	KR971432	⑧	●	●		●	●	●	■

■ Required accessories

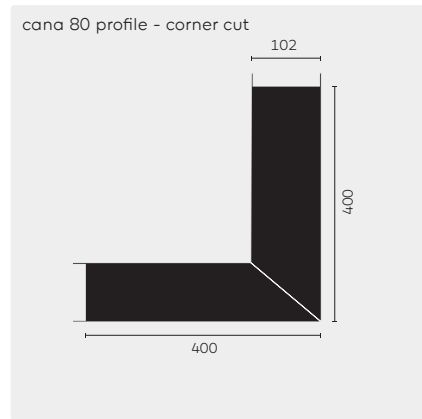
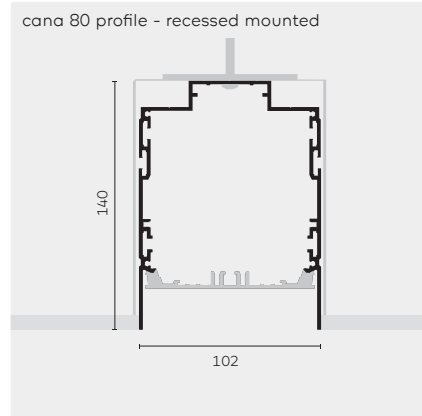
Driver for oran

KR703030	LED driver, switchable ON/OFF (1 driver = max. 3 luminaires)
KR703031	LED driver, phase dimmable (1 driver = max. 1 luminaire)
KR703032	LED driver, 1-10V dimmable (1 driver = max. 3 luminaires)
KR703033	LED driver, DALI dimmable (1 driver = max. 3 luminaires)

	CRI	CCT	Wattage	Drive current	Fixture lumen	
①	LED	CRI90+	2700K/3000K	8,4W	700mA	450lm
②	LED	CRI90+	2700K/3000K	8,4W	700mA	444lm
③	LED	CRI90+	2700K/3000K	8,4W	700mA	438lm
④	LED	CRI90+	2700K/3000K	8,4W	700mA	TBD
⑤	LED	CRI90+	2700K/3000K	8,4W	700mA	328lm
⑥	LED	CRI90+	2700K/3000K	8,4W	700mA	420lm
⑦	LED	CRI90+	2700K/3000K	8,4W	700mA	458lm
⑧	LED	CRI90+	2700K/3000K	8,4W	700mA	TBD

REMARKS
Gear excluded.
◆ IP40

kreon cana 80



cana 80 profile
Input voltage: 230V, nr. of circuits: 3

■ Required accessories

Plasterkit ②

■ Optional accessories

Corner cut ③

Colour	KR-code	Required accessories	Optional accessories
--------	---------	----------------------	----------------------

○	KR775201	■	■
●	KR775202	■	■

[KR705010](#) Trimless plasterkit profile ☉ LxW Lx125 H 185

[KR705511](#) cana 80 corner cut 90°, white

[KR705512](#) cana 80 corner cut 90°, black

[KR705610](#) Trimless plasterkit corner cut 90°

REMARKS

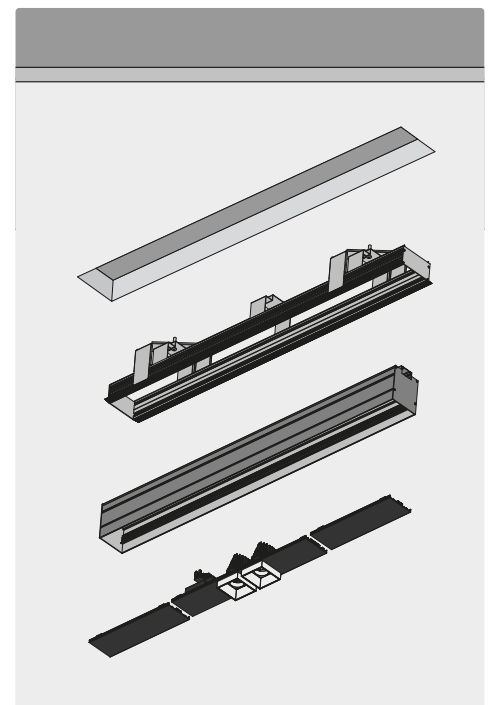
① Maximum length of a single run profile: 5900mm. Shipping length depends on transport possibilities.

② Profile should be finished with polyester gypsum. Max. thickness boardmaterial: 26mm.

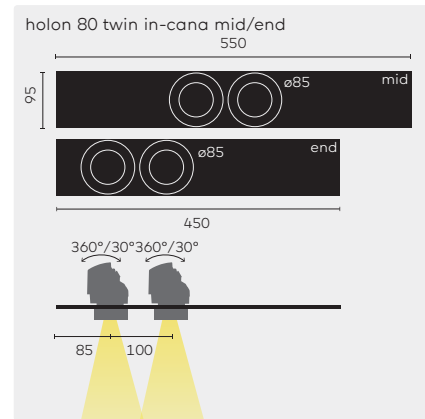
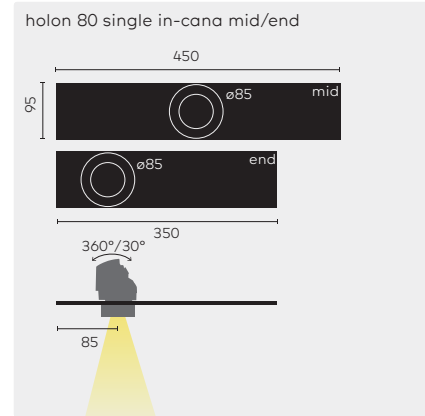
③ No luminaire can be placed in the corner cut.

The profile is supplied pre-assembled. The coverplates on the inside of the profile are always black.
IP40

cana 80



kreon cana 80 holon



	Colour ①	KR-code	Light sources	9027 2700K, CRI90+	9030 3000K, CRI90+	9040 4000K, CRI90+	9527 2700K, CRI95+	9530 3000K, CRI95+	9540 4000K, CRI95+	SSP Superspot (18°)	SP Spot (17°)	SP Spot (30°)	FL Flood (27°)	FL Flood (50°)	WFL Wide flood (38°)	SW Switchable ON/OFF	VD 1-10V dimming	DD DALI dimming	Optional accessories
holon 80 single in-cana mid	○	KR934011	①				●	●	●	●	●	●	●	●	●	●	●	●	■
	●	KR934012	①				●	●	●	●	●	●	●	●	●	●	●	●	■
holon 80 HE single in-cana mid High efficiency	○	KR934081	②	●	●	●				●	●	●	●	●	●	●	●	●	■
	●	KR934082	②	●	●	●				●	●	●	●	●	●	●	●	●	■
holon 80 single in-cana end	○	KR934111	①				●	●	●	●	●	●	●	●	●	●	●	●	■
	●	KR934112	①				●	●	●	●	●	●	●	●	●	●	●	●	■
holon 80 HE single in-cana end High efficiency	○	KR934181	②	●	●	●				●	●	●	●	●	●	●	●	●	■
	●	KR934182	②	●	●	●				●	●	●	●	●	●	●	●	●	■
holon 80 twin in-cana mid	○	KR934511	③				●	●	●	●	●	●	●	●	●	●	●	●	■
	●	KR934512	③				●	●	●	●	●	●	●	●	●	●	●	●	■
holon 80 HE twin in-cana mid High efficiency	○	KR934581	④	●	●	●				●	●	●	●	●	●	●	●	●	■
	●	KR934582	④	●	●	●				●	●	●	●	●	●	●	●	●	■
holon 80 twin in-cana end	○	KR934611	③				●	●	●	●	●	●	●	●	●	●	●	●	■
	●	KR934612	③				●	●	●	●	●	●	●	●	●	●	●	●	■
holon 80 twin HE in-cana end High efficiency	○	KR934681	④	●	●	●				●	●	●	●	●	●	●	●	●	■
	●	KR934682	④	●	●	●				●	●	●	●	●	●	●	●	●	■
■ Optional accessories																			
Lenses holon 80 single & holon 80 twin in-cana ② (for twin, order twice)										KR704100 Sculpture lens ③									
										KR704200 Diffusing lens									
										KR772342 Anti-glare louvre ③									

	LED	CRI	CCT	Voltage	Wattage	Fixture lumen
①	LED	CRI90+	2700K/3000K/4000K	230V	15,6W	686lm
		CRI95+	2700K/3000K/4000K	230V	11,9W	665lm
②	LED (FL)	CRI90+	2700K/3000K/4000K	230V	12W	1000lm
③	LED	CRI90+	2700K/3000K/4000K	230V	2 x 15,6W	1372lm
		CRI95+	2700K/3000K/4000K	230V	2 x 11,9W	1330lm
④	LED (FL)	CRI90+	2700K/3000K/4000K	230V	2 x 12W	2000lm

REMARKS

① The coverplates on the inside of the profile are always black.

② Only one optional lens or louvre possible. Cannot be used in combination with HE modules.

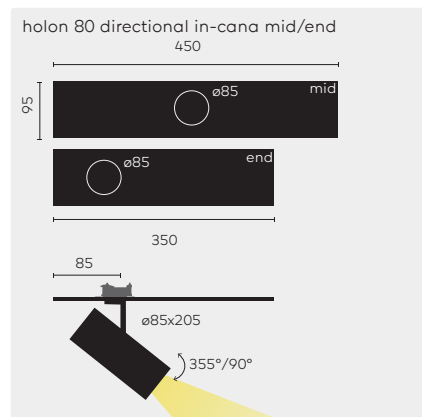
③ Use only in combination with spot optic.

Combinations can be specified on order form. Consult your kreon sales representative or one of the kreon offices.

IP40

kreon cana 80

holon directional



	Colour ①	KR-code	Light sources	9027 2700K, CRI90+	9030 3000K, CRI90+	9040 4000K, CRI90+	9527 2700K, CRI95+	9530 3000K, CRI95+	9540 4000K, CRI95+	FL Flood (30°)	WFL Wide flood (38°)	SM Switchable ON/OFF	DD DALI dimming	Optional accessories
holon 80 directional in-cana mid	○	KR934311	①	●	●	●	●	●	●	●	●	●	●	■
	●	KR934312	①	●	●	●	●	●	●	●	●	●	●	■
holon 80 directional in-cana end	○	KR934411	①	●	●	●	●	●	●	●	●	●	●	■
	●	KR934412	①	●	●	●	●	●	●	●	●	●	●	■
■ Optional accessories														
Lenses holon 80 directional in-cana ②		KR726100	Sculpture lens ③											
		KR726200	Diffusing lens											
		KR762002	Anti-glare louvre ③											

	CRI	CCT	Voltage	Wattage	Fixture lumen
① LED	CRI90+	2700K/3000K/4000K	230V	28,9W	1610lm
	CRI95+	2700K/3000K/4000K	230V	28,9W	1610lm

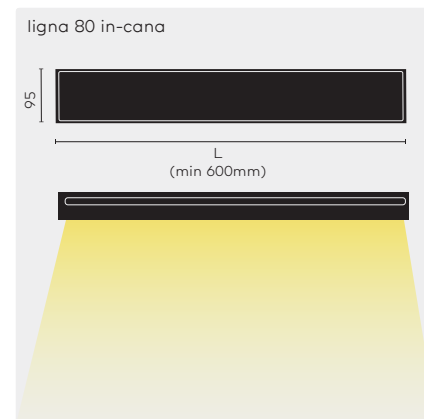
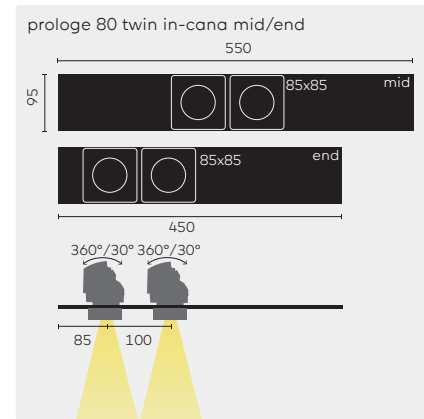
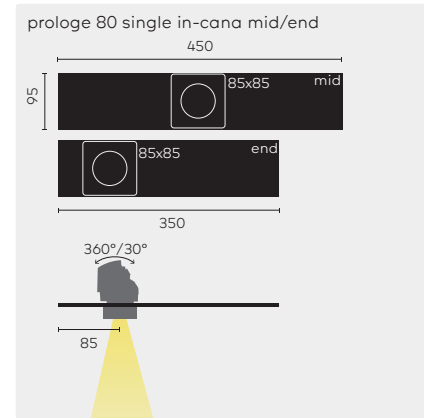
REMARKS

- ① The coverplates on the inside of the profile are always black.
- ② Only one optional lens or louvre possible.
- ③ Use only in combination with spot optic.

Combinations can be specified on order form. Consult your kreon sales representative or one of the kreon offices.
Gear included.
IP40

kreon cana 80

prologe & ligna



	Colour ①	KR-code	Light sources	9027 2700K, CRI90+	9030 3000K, CRI90+	9040 4000K, CRI90+	9527 2700K, CRI95+	9530 3000K, CRI95+	9540 4000K, CRI95+	SSP Superspot (18°)	SP Spot (17°)	SP Spot (30°)	FL Flood (27°)	FL Flood (50°)	WFL Wide flood (38°)	SW Switchable ON/OFF	VD 1-10V dimming	DD DALI dimming	Optional accessories
prologe 80 single in-cana mid	○	KR934061	①				●	●	●		●		●		●	●	●	●	■
	●	KR934062	①				●	●	●		●		●		●	●	●	●	■
prologe 80 HE single in-cana mid High efficiency	○	KR934091	②	●	●	●				●		●				●	●	●	■
	●	KR934092	②	●	●	●				●		●				●	●	●	■
prologe 80 single in-cana end	○	KR934161	①				●	●	●		●		●		●	●	●	●	■
	●	KR934162	①				●	●	●		●		●		●	●	●	●	■
prologe 80 HE single in-cana end High efficiency	○	KR934191	②	●	●	●				●		●				●	●	●	■
	●	KR934192	②	●	●	●				●		●				●	●	●	■
prologe 80 twin in-cana mid	○	KR934561	③				●	●	●		●		●		●	●	●	●	■
	●	KR934562	③				●	●	●		●		●		●	●	●	●	■
prologe 80 HE twin in-cana mid High efficiency	○	KR934591	④	●	●	●				●		●				●	●	●	■
	●	KR934592	④	●	●	●				●		●				●	●	●	■
prologe 80 twin in-cana end	○	KR934661	③				●	●	●		●		●		●	●	●	●	■
	●	KR934662	③				●	●	●		●		●		●	●	●	●	■
prologe 80 HE twin in-cana end High efficiency	○	KR934691	④	●	●	●				●		●				●	●	●	■
	●	KR934692	④	●	●	●				●		●				●	●	●	■
ligna 80 in-cana High output L= n x 70mm x 95mm		KR934910	⑤	●	●	●										●	●	●	

Optional accessories

Lenses ② (for twin, order twice)

KR704100 Sculpture lens ③

KR704200 Diffusing lens

KR772342 Anti-glare louvre ③

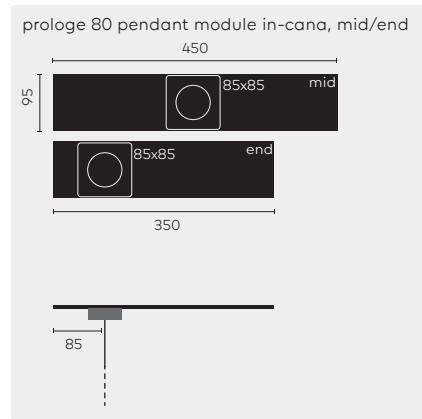
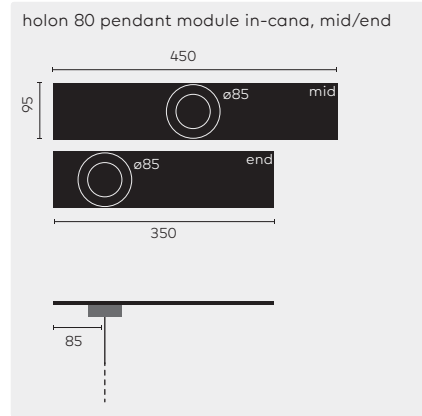
	CRI	CCT	Voltage	Wattage	Fixture lumen
① LED	CRI90+	2700K/3000K/4000K	230V	15,6W	686lm
	CRI95+	2700K/3000K/4000K	230V	11,9W	665lm
② LED (FL)	CRI90+	2700K/3000K/4000K	230V	12W	1000lm
③ LED	CRI90+	2700K/3000K/4000K	230V	2 x 15,6W	1372lm
	CRI95+	2700K/3000K/4000K	230V	2 x 11,9W	1330lm
④ LED (FL)	CRI90+	2700K/3000K/4000K	230V	2 x 12W	2000lm
⑤ LED	CRI90+	2700K/3000K/4000K	230V	23W	1769lm/m

REMARKS

- ① The coverplates on the inside of the profile are always black.
- ② Only one optional lens or louvre possible. Cannot be used in combination with HE modules.
- ③ Use only in combination with spot optic.

Combinations can be specified on order form - Consult your kreon sales representative or one of our offices
IP40

kreon cana 80 pendant modules



 **holon 80 pendant module in-cana mid**

 **holon 80 pendant module in-cana end**

 **prologe 80 pendant module in-cana mid**

 **prologe 80 pendant module in-cana end**

■ Required accessories

Pendants

Colour ①	KR-code	SM Switchable ON/OFF	VD 1-10V dimming	DD DALI dimming	Required accessories
○	<u>KR934531</u>	●	●	●	■
●	<u>KR934532</u>	●	●	●	■
○	<u>KR934631</u>	●	●	●	■
●	<u>KR934632</u>	●	●	●	■
○	<u>KR934541</u>	●	●	●	■
●	<u>KR934542</u>	●	●	●	■
○	<u>KR934641</u>	●	●	●	■
●	<u>KR934642</u>	●	●	●	■

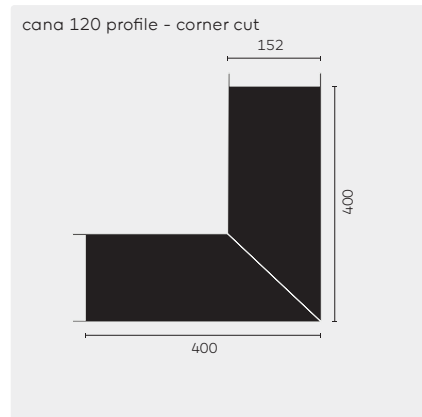
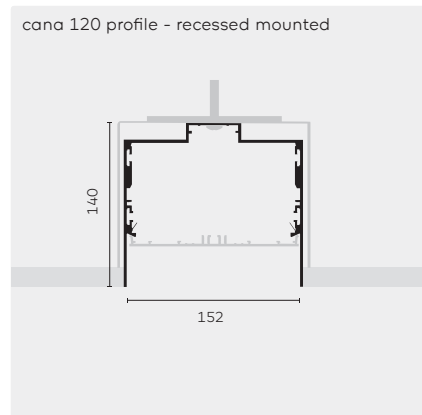
See page 348-355

REMARKS

① The coverplates on the inside of the profile are always black.

The pendant modules are supplied pre-assembled in the profile. Combinations can be specified on order form. Consult your kreon sales representative or one of the kreon offices.
IP40

kreon cana 120



cana 120 profile
Input voltage: 230V, nr. of circuits: 3

■ **Required accessories**

Plasterkit ②

■ **Optional accessories**

Corner cut ③

Colour	KR-code	Required accessories	Optional accessories
--------	---------	----------------------	----------------------

○	KR795201	■	■
●	KR795202	■	■

[KR705020](#) Trimless plasterkit profile ☉ LxW Lx180 H 190

[KR705521](#) cana 120 corner cut 90°, white

[KR705522](#) cana 120 corner cut 90°, black

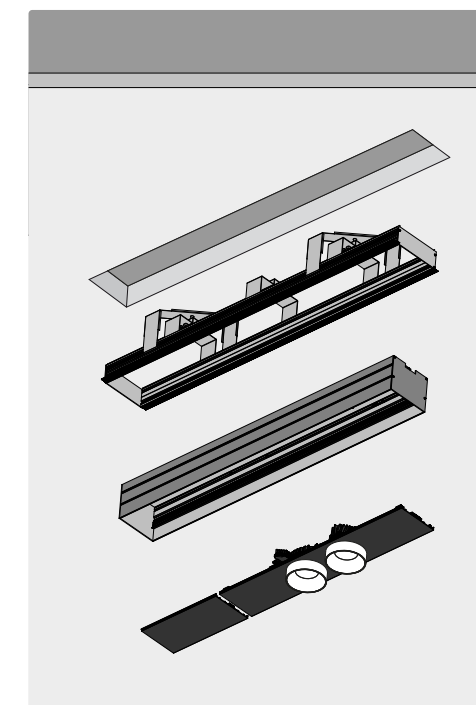
[KR705620](#) Trimless plasterkit corner cut 90°

REMARKS

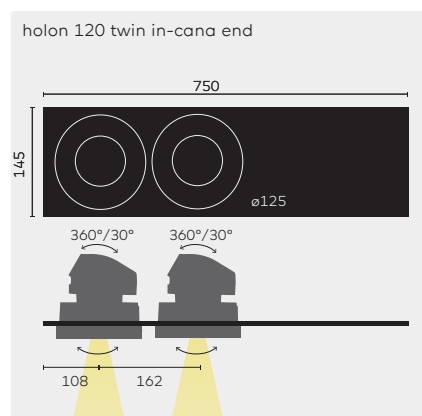
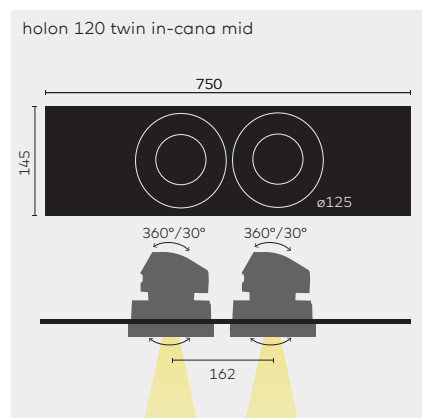
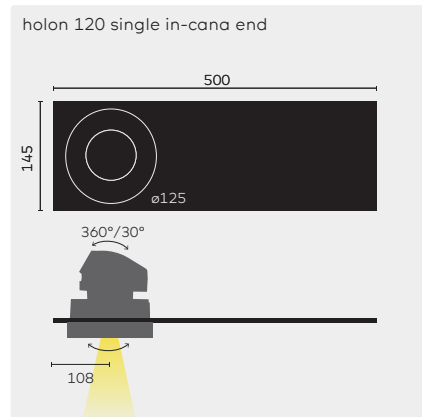
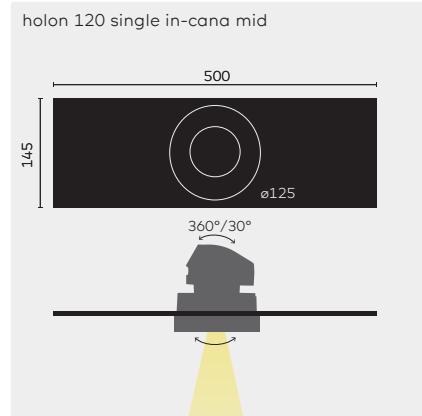
- ① Maximum length of a single run profile: 5900mm. Shipping length depends on transport possibilities.
- ② Profile should be finished with polyester gypsum. Max. thickness boardmaterial: 26mm.
- ③ No luminaire can be placed in the corner cut.

The profile is supplied pre-assembled. The coverplates on the inside of the profile are always black.
IP40

cana 120



kreon cana 120 holon



holon 120 single in-cana mid

holon 120 single in-cana end

holon 120 twin in-cana mid

holon 120 twin in-cana end

Optional accessories

Lenses (for twin, order twice)

Colour ①	KR-code	Light sources	9027 2700K, CRI90+	9030 3000K, CRI90+	9040 4000K, CRI90+	9827 2700K, CRI98+	9830 3000K, CRI98+	9840 4000K, CRI98+	SP Spot (12°)	FL Flood (24°)	WFL Wide flood (38°)	SM Switchable ON/OFF	VD 1-10V dimming	DD DALI dimming	Optional accessories
○	KR934021	①	●	●	●	●	●	●	●	●	●	●	●	●	■
●	KR934022	①	●	●	●	●	●	●	●	●	●	●	●	●	■
○	KR934121	①	●	●	●	●	●	●	●	●	●	●	●	●	■
●	KR934122	①	●	●	●	●	●	●	●	●	●	●	●	●	■
○	KR934521	②	●	●	●	●	●	●	●	●	●	●	●	●	■
●	KR934522	②	●	●	●	●	●	●	●	●	●	●	●	●	■
○	KR934621	②	●	●	●	●	●	●	●	●	●	●	●	●	■
●	KR934622	②	●	●	●	●	●	●	●	●	●	●	●	●	■
	KR750100	Sculpture lens ②													
	KR750200	Diffusing lens													
	KR750800	Softening lens													

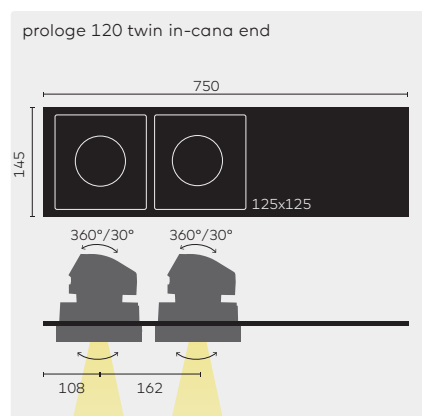
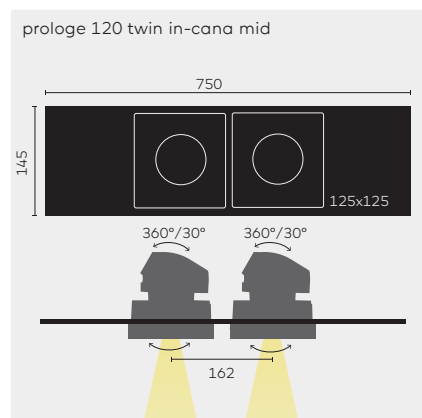
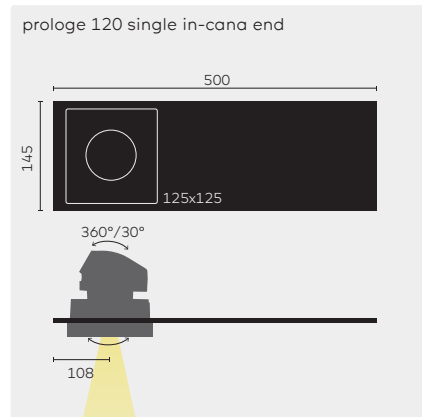
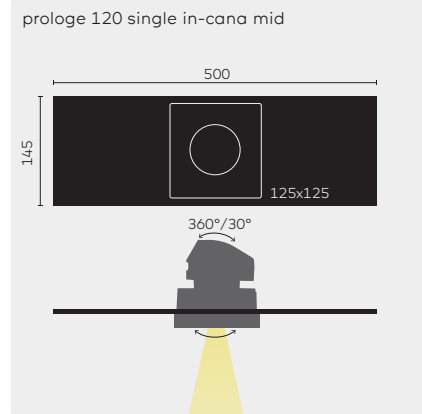
			CRI	CCT	Voltage	Wattage	Fixture lumen
①	LED	FL	CRI90+	2700K/3000K/4000K	230V	17,1W	1021lm
			CRI98+	2700K/3000K/4000K	230V	12,9W	715lm
②	LED	FL	CRI90+	2700K/3000K/4000K	230V	2 x 17,1W	2042lm
			CRI98+	2700K/3000K/4000K	230V	2 x 12,9W	1430lm

REMARKS

- ① The coverplates on the inside of the profile are always black.
- ② Use only in combination with spot optic.

Combinations can be specified on order form. Consult your kreon sales representative or one of the kreon offices.
IP40

kreon cana 120 prologe



	Colour ①	KR-code	Light sources	9027 2700K, CRI90+	9030 3000K, CRI90+	9040 4000K, CRI90+	9827 2700K, CRI98+	9830 3000K, CRI98+	9840 4000K, CRI98+	SP Spot (12°)	FL Flood (24°)	WFL Wide flood (38°)	SM Switchable ON/OFF	VD 1-10V dimming	DD DALI dimming	Optional accessories
prologe 120 single in-cana mid	○	KR934071	①	●	●	●	●	●	●	●	●	●	●	●	●	■
	●	KR934072	①	●	●	●	●	●	●	●	●	●	●	●	●	■
prologe 120 single in-cana end	○	KR934171	①	●	●	●	●	●	●	●	●	●	●	●	●	■
	●	KR934172	①	●	●	●	●	●	●	●	●	●	●	●	●	■
prologe 120 twin in-cana mid	○	KR934571	②	●	●	●	●	●	●	●	●	●	●	●	●	■
	●	KR934572	②	●	●	●	●	●	●	●	●	●	●	●	●	■
prologe 120 twin in-cana end	○	KR934671	②	●	●	●	●	●	●	●	●	●	●	●	●	■
	●	KR934672	②	●	●	●	●	●	●	●	●	●	●	●	●	■

■ Optional accessories

Lenses (for twin, order twice)

KR750100	Sculpture lens ②
KR750200	Diffusing lens
KR750800	Softening lens

			CRI	CCT	Voltage	Wattage	Fixture lumen
①	LED	FL	CRI90+	2700K/3000K/4000K	230V	17,1W	1021lm
			CRI98+	2700K/3000K/4000K	230V	12,9W	715lm
②	LED	FL	CRI90+	2700K/3000K/4000K	230V	2 x 17,1W	2042lm
			CRI98+	2700K/3000K/4000K	230V	2 x 12,9W	1430lm

REMARKS

- ① The coverplates on the inside of the profile are always black.
- ② Use only in combination with spot optic.

Combinations can be specified on order form. Consult your kreon sales representative or one of the kreon offices.
IP40

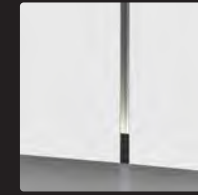
kreon dolma

kreon dolma indoor presents a range of visible widths, allowing you to choose between 40mm, 80mm, or 145mm options. This recessed aluminium profile can be effortlessly installed in walls or ceilings, providing a sleek and seamless aesthetic.

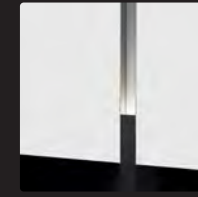
The profile is meticulously crafted to order, offering a choice between natural or black anodized aluminium finishes. Customize your lighting experience by integrating standard LED lighting elements at one extremity, on both ends or in the middle of the profile, creating a beautiful fading lighting effect. Use kreon dolma as a beacon, in residential or public environments, to enhance the ambiance and add a touch of sophistication.

[↑ back to overview page profile systems](#)

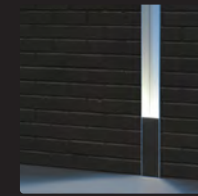
dolma 40
374



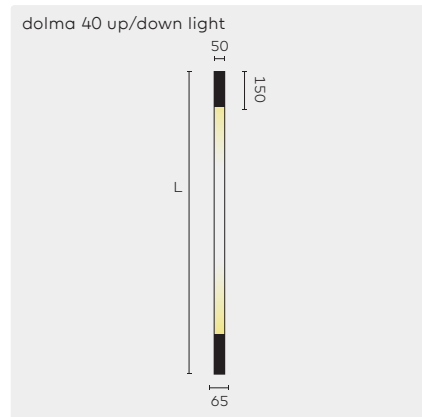
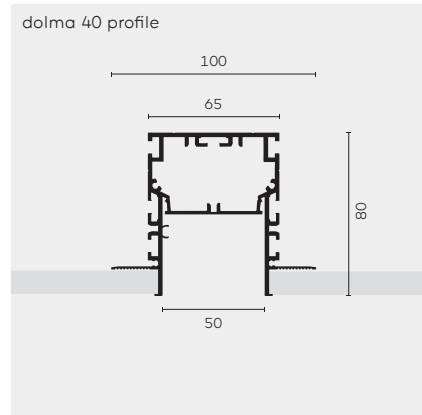
dolma 80
376



dolma 80 IP
378



kreon dolma 40



dolma 40 profile
Min depth: 80, thickness boardmaterial: max. 12,5 mm, IP40

Colour	KR-code
●	KR745002
●	KR745003



dolma 40 up/down light
Gear: incl., 230V, IP20

Colour	KR-code	Light sources	9027 2700K, CRI90+	9030 3000K, CRI90+	SW Switchable ON/OFF	VD 1-10V dimming	DD DALI dimming	EX Gear exclusive	Optional accessories
○	KR915341	①	●	●	●	●	●	●	■
●	KR915342	①	●	●	●	●	●	●	■

■ Optional accessories

Driver

KR772142	LED driver, 1050mA, 1-10V, 39W
KR772443	LED driver, 1050mA, DALI, 60W

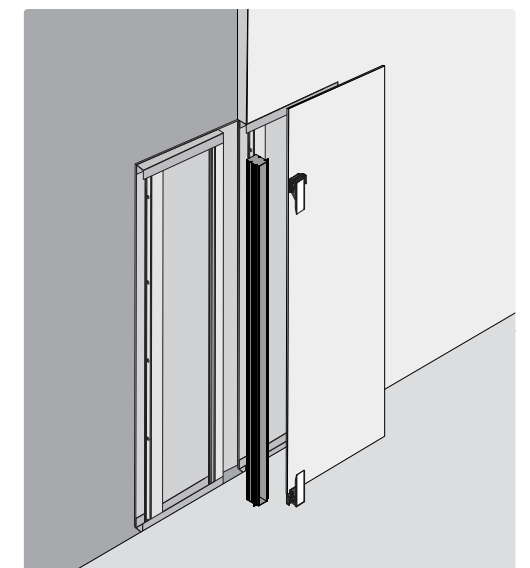
	CRI	CCT	Voltage	Wattage	Drive current	Fixture lumen
① LED SW/VD/DD	CRI90+	2700K/3000K	230V	3,2W		111lm
EX	CRI90+	2700K/3000K	3V	3,2W	1050mA	111lm

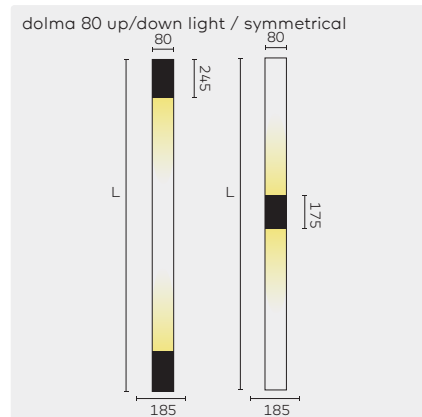
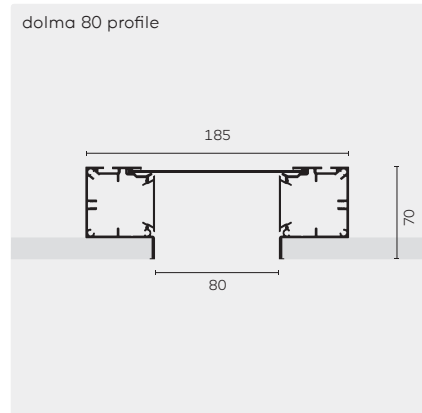
REMARKS

① kreon dolma profile should be finished with polyester gypsum or in combination with other dry building materials. Min. length: 1 m (gear incl.) or 0,6m (gear excl.). Max 2 profile pieces. In case of 2 profile pieces, two up/down lights will be placed against each other to cover the split line.

kreon dolma profiles are supplied fully pre-assembled, including all modules, gears and connections. Max. Length single profile: 5900mm. Shipping length depends on the transport possibilities.

dolma 40





dolma 80 profile
Min depth: 80, thickness boardmaterial: max. 15mm, IP40

dolma 80 up/down light
Gear: incl., 230V, IP20

dolma 80 symmetrical light
Gear: incl., 230V, IP20

Colour	KR-code
●	KR715002
●	KR715003

Colour	KR-code	Light sources	8027 2700K, CR180+	8030 3000K, CR180+	SW Switchable ON/OFF	VD 1-10V dimming	DD DALI dimming	Optional accessories
○	KR915441	①	●	●	●	●	●	■
●	KR915442	①	●	●	●	●	●	■
●	KR915443	①	●	●	●	●	●	■
○	KR915471	①	●	●	●	●	●	■
●	KR915472	①	●	●	●	●	●	■
●	KR915473	①	●	●	●	●	●	■

■ **Optional accessories**

Electrical wiring	KR705401	Extra electrical wiring (for an extra circuit)
EURO connector	KR705403	EURO connector

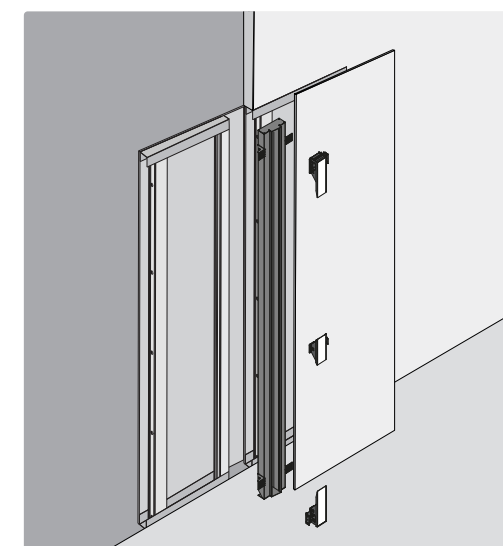
	CRI	CCT	Voltage	Wattage	Fixture lumen
① LED	CR180+	2700K/3000K	230V	8,4W	126lm

REMARKS

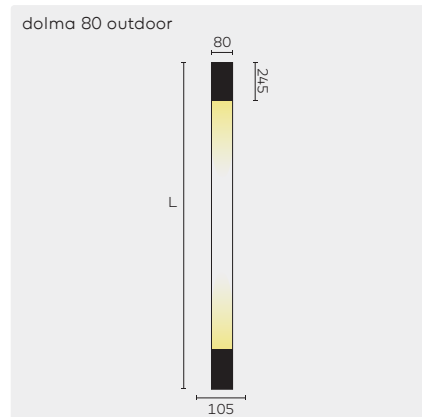
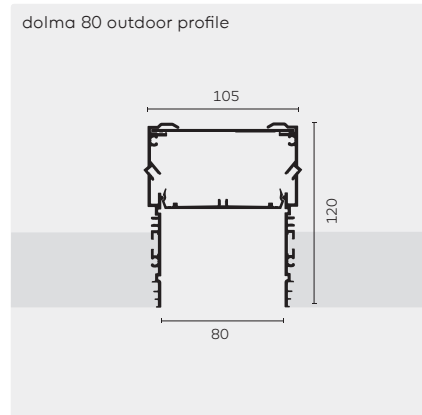
① kreon dolma profile should be finished with polyester gypsum or in combination with other dry building materials.

kreon dolma profiles are supplied fully pre-assembled, including all modules, gears and connections. Max. Length single profile: 5900mm. Shipping length depends on the transport possibilities.

dolma 80



kreon dolma 80 IP



dolma 80 outdoor profile ①

Min depth: 125, IP40

dolma 80 shower profile ①

Min depth: 125, IP40

dolma 80 outdoor up/down light

Watertight gearbox: incl., 230V, IP55

dolma 80 shower up/down light

Gear: excl., IP55

Optional accessories

Driver (IP20)

Colour
KR-code

● KR715402

● KR715403

● KR715502

● KR715503

Colour
KR-code
Light sources
8027 2700K, CR180+
8030 3000K, CR180+
SW Switchable ON/OFF
VD 1-10V dimming
DD DALI dimming
Optional accessories

○ KR915961 ① ● ● ● ● ● ●

● KR915962 ① ● ● ● ● ● ●

○ KR915971 ② ● ● ● ● ● ●

● KR915972 ② ● ● ● ● ● ●

KR772034 LED driver, 700mA, ON/OFF, 20W

KR772232 LED driver, 700mA, 1-10V, 20W

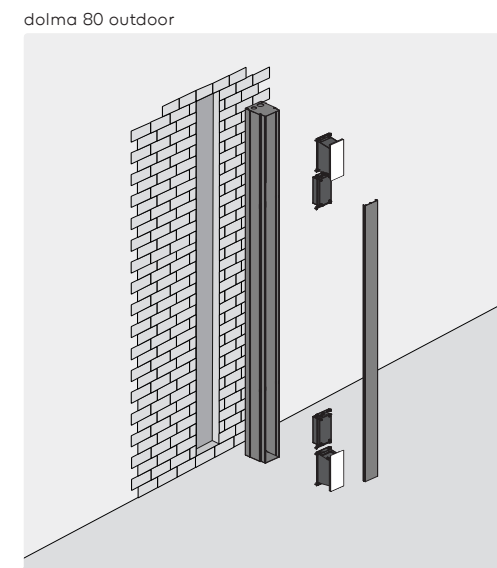
KR772236 LED driver, 700mA, DALI, 18W

	CRI	CCT	Voltage	Wattage	Drive current	Fixture lumen
① LED	CR180+	2700K/3000K	230V	8,4W		204lm
② LED	CR180+	2700K/3000K		8,4W	700mA	204lm

REMARKS

① kreon dolma outdoor profile is IP40. kreon dolma outdoor up/down module is IP55. Water conduit needs to be placed below and behind the profile, both for outdoor and shower profile. Check installation manual.

kreon dolma profiles are supplied fully pre-assembled, including all modules, gears and connections. Max. length single profile: 5900mm. Shipping length depends on the transport possibilities.



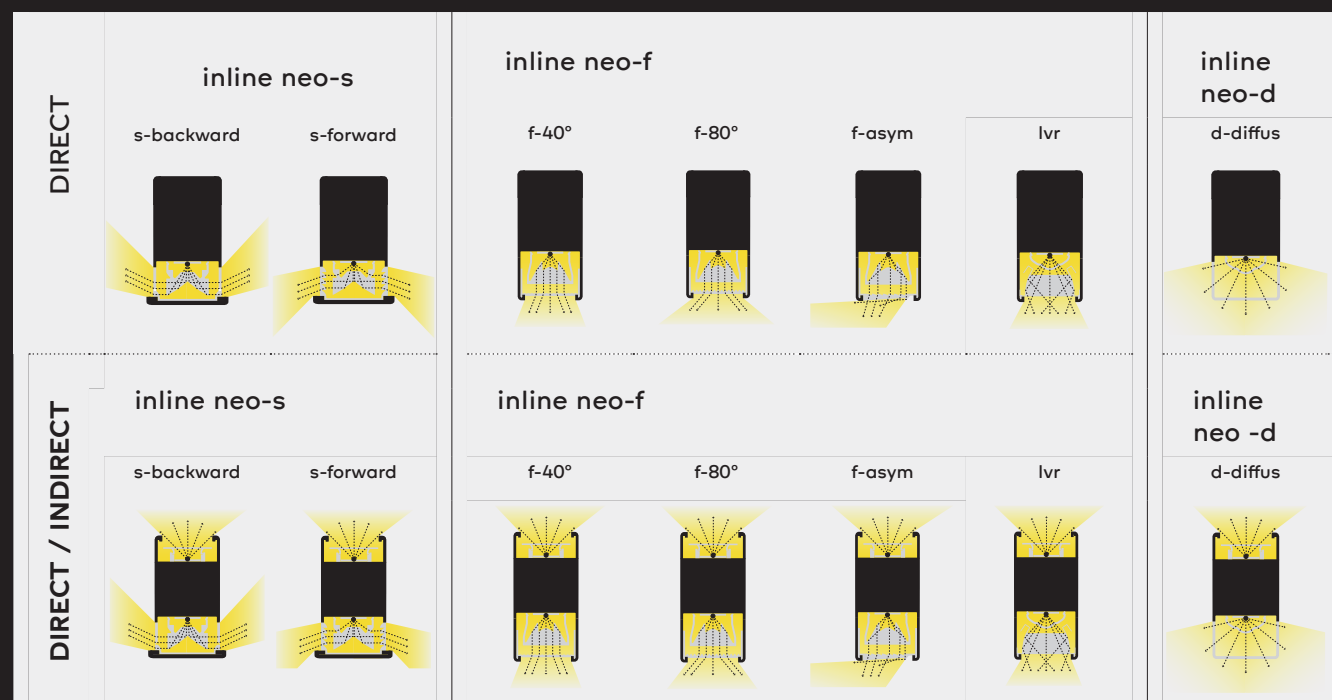
kreon inline neo

kreon inline neo is a sophisticated linear lighting tool. The heart of the system, the integrated optics, direct the light with precision to the desired surfaces. Powerful direct and/or indirect light, different mounting options and made to measure lengths make kreon inline neo a unique lighting tool that enables the creation of a whole range of different lighting scenarios, from diffused general light to homogenous indirect light to direct accent light.

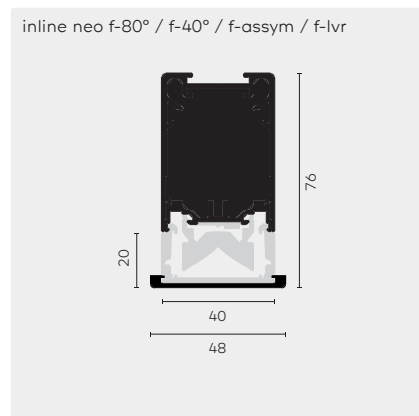
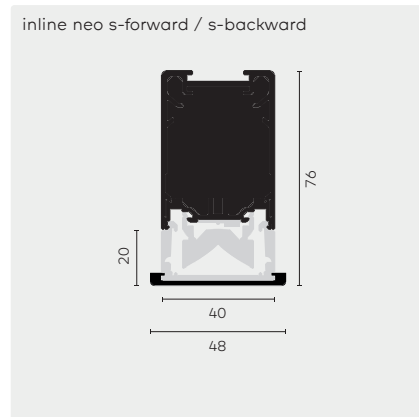
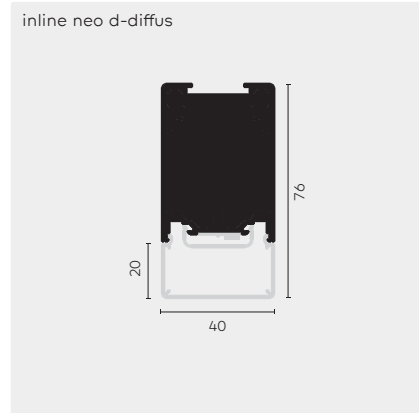
kreon inline neo offers a wealth of new applications and simultaneously strengthens the bonds between architecture and lighting, supporting the planner's creativity. This is achieved deploying a light direction principle based on the interplay of two individual lenses (patent pending). Essentially, a primary lens concentrates the LED light while a secondary lens directs it to the desired surface. Additionally, a diffuser that evenly distributes the light is also available.

[↑ back to overview page profile systems](#)

inline
382



kreon inline neo direct / surface mounted



	Light source	Basic code	SW Black	8027 2700K; CR180+	8030 3000K; CR180+	8040 4000K; CR180+	DD Dimmable DALI, building side	3 350mA	7 700mA
inline neo d-diffus	①	<u>INL50</u>	●	●	●	●	●	●	●
inline neo s-forward	②	<u>INL51</u>	●	●	●	●	●	●	●
inline neo s-backward	③	<u>INL52</u>	●	●	●	●	●	●	●
inline neo f-80°	④	<u>INL53</u>	●	●	●	●	●	●	●
inline neo f-40°	⑤	<u>INL54</u>	●	●	●	●	●	●	●
inline neo f-assym	⑥	<u>INL55</u>	●	●	●	●	●	●	●
inline neo f-lvr Louver Raster UGR <19	⑦	<u>INL56</u>	●	●	●	●	●	●	●

	Light flow per metre (approx.)	Im/m (350mA) @ 4000K	Im/m (700mA) @ 4000K
① LED INLINE-50 d-diffuse	1997lm or 3656lm		
② LED INLINE-51 s-forward	1703lm or 3075lm		
③ LED INLINE-52 s-backward	1846lm or 3162lm		
④ LED INLINE-53 f-80°	1820lm or 3388lm		
⑤ LED INLINE-54 f-40°	2045lm or 3653lm		
⑥ LED INLINE-55 f-assym	1747lm or 3148lm		
⑦ LED INLINE-56 f-lvr	1675lm (UGR 19) or 3025lm (UGR >19)		

REMARKS

General: System lamps with through-wiring (6x1.5mm² max. 10A). The LED transformer is built into the lamps. LED working life: 55,000 hrs (L90/F10), 3SDCM, approx. 23,3W per metre @ 350mA

Dimmable DALI (DD): Dimmable using DALI procedure or push-button; additional control cable is required. kreon inline neo is fitted with DALI transformer. On/off operation is possible through the P, N, E connection

② IP 20
LED A - A++

Designing hints :
kreon inline neo is available from 561mm (571mm incl. end caps at ends) We recommend designing inside the 281mm grid
Design length outside the grid will be supplied with profile overhangs, without lighting. Colour filters for inserting laterally into the second lens system are available in colours blue, yellow or orange.

Lights with louvre (LVR) shade are available in lengths from 842mm; any additional lengths are to be taken into account in the 281mm grid.

d-diffus



s-forward



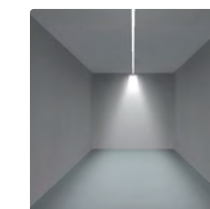
s-backward



f-80°



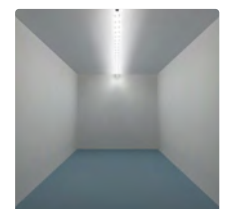
f-40°



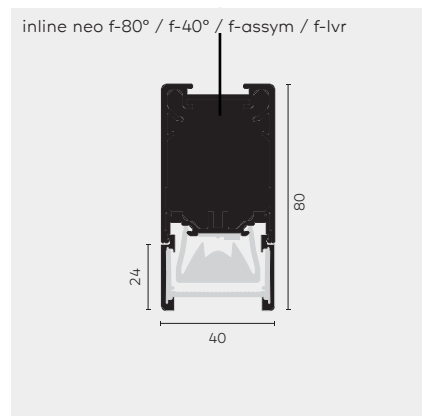
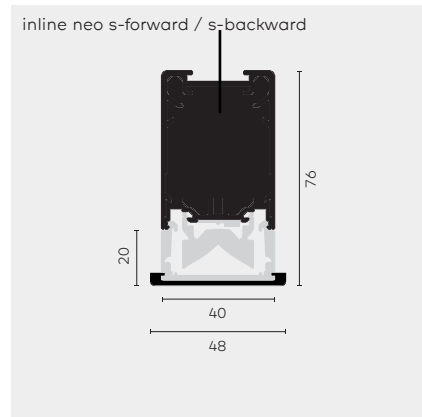
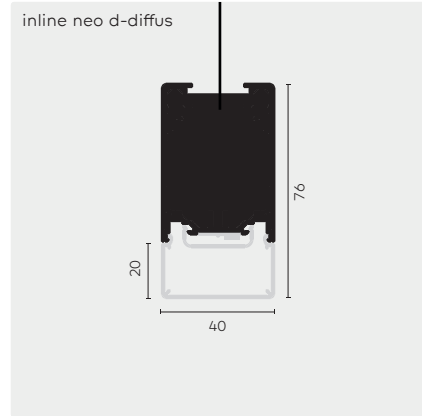
f-assym



f-lvr



kreon inline neo direct / pending



	Light source	Basic code	2 Suspender, 2 metres	5 Suspender, 5 metres	SW Black	8027 2700K, CR180+	8030 3000K, CR180+	8040 4000K, CR180+	DD Dimmable DALI, building side	3 350mA	7 700mA
inline neo d-diffuse	①	<u>INL60</u>	●	●	●	●	●	●	●	●	●
inline neo s-forward	②	<u>INL61</u>	●	●	●	●	●	●	●	●	●
inline neo s-backward	③	<u>INL62</u>	●	●	●	●	●	●	●	●	●
inline neo f-80°	④	<u>INL63</u>	●	●	●	●	●	●	●	●	●
inline neo f-40°	⑤	<u>INL64</u>	●	●	●	●	●	●	●	●	●
inline neo f-asym	⑥	<u>INL65</u>	●	●	●	●	●	●	●	●	●
inline neo f-lvr Louver Raster UGR <19	⑦	<u>INL66</u>	●	●	●	●	●	●	●	●	●

	Light flow per metre (approx.)	Im/m (350mA) @ 4000K	Im/m (700mA) @ 4000K
① LED INLINE-60 d-diffuse	1997lm or 3656lm		
② LED INLINE-61 s-forward	1703lm or 3075lm		
③ LED INLINE-62 s-backward	1846lm or 3162lm		
④ LED INLINE-63 f-80°	1820lm or 3388lm		
⑤ LED INLINE-64 f-40°	2045lm or 3653lm		
⑥ LED INLINE-65 f-asym	1747lm or 3148lm		
⑦ LED INLINE-66 f-lvr	1675lm (UGR 19) or 3025lm (UGR >19)		

REMARKS

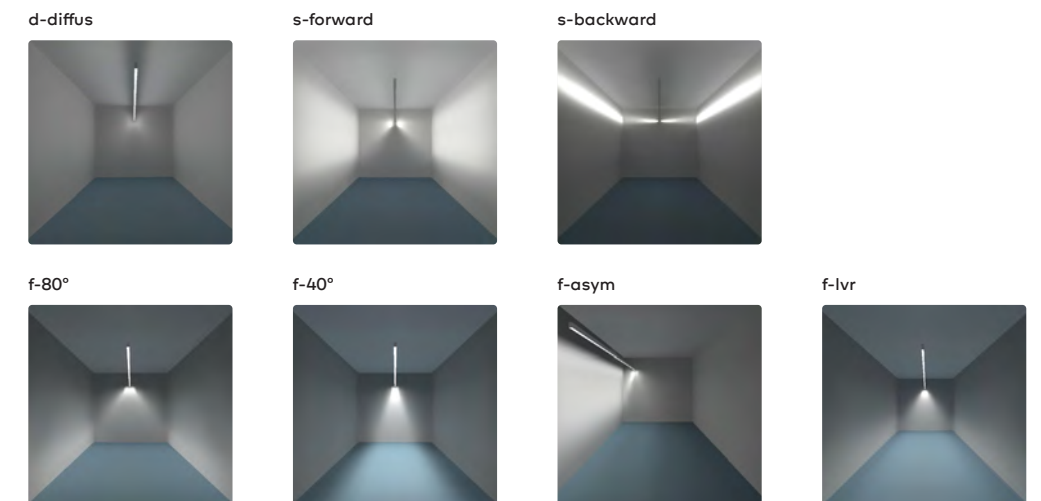
General: System lamps with through-wiring (6x1.5mm² max.10A). The LED transformer is built into the lamps. LED working life: 55,000 hrs (L90/F10), 3SDCM, approx. 23,3W per metre @ 350mA

Dimmable DALI (DD): Dimmable using DALI procedure or push-button; additional control cable is required. kreon inline neo is fitted with DALI transformer. On/off operation is possible through the P, N, E connection

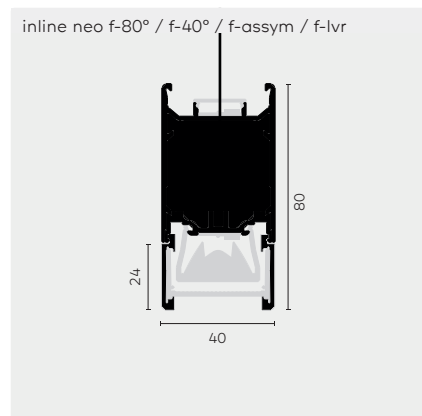
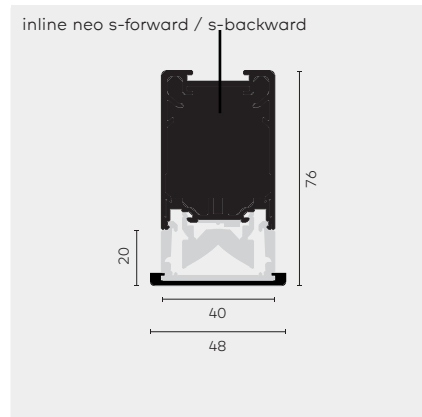
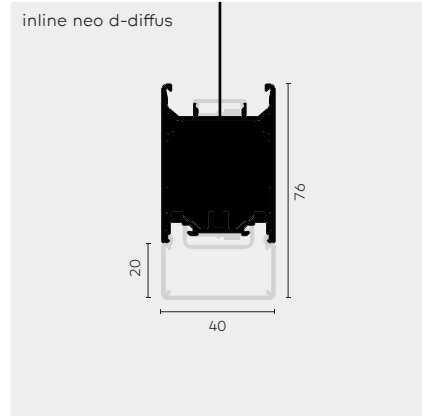
④ IP 20
LED A - A++

Designing hints: kreon inline neo is available from 561mm (571mm incl. end caps at ends) We recommend designing inside the 281mm grid. Design lengths outside this grid will be supplied with profile overhangs without lighting. Colour filters for inserting laterally into the second lens system are available in colours blue, yellow or orange.

Lights with louvre (LVR) shade are available in lengths from 842mm; all other lengths are to be taken into account in the 281mm grid.



kreon inline neo direct-indirect / pending



	Light source	Basic code	2 Suspender, 2 metres	5 Suspender, 5 metres	Wall-mounting	SW Black	8027 2700K, CR180+	8030 3000K, CR180+	8040 4000K, CR180+	DD Dimmable DALI, building side	37 350mA direct and 700mA indirect
inline neo d-diffuse	①	<u>INL70</u>	●	●	●	●	●	●	●	●	●
inline neo s-forward	②	<u>INL71</u>	●	●		●	●	●	●	●	●
inline neo s-backward	③	<u>INL72</u>	●	●		●	●	●	●	●	●
inline neo f-80°	④	<u>INL73</u>	●	●	●	●	●	●	●	●	●
inline neo f-40°	⑤	<u>INL74</u>	●	●	●	●	●	●	●	●	●
inline neo f-assym	⑥	<u>INL75</u>	●	●	●	●	●	●	●	●	●
inline neo f-lvr Louver Raster UGR <19	⑦	<u>INL76</u>	●	●	●	●	●	●	●	●	●

	Light flow per metre (approx.)	Direct portion lm/m (350mA) @ 4000K		Indirect portion lm/m (700mA) @ 4000K	
①	LED INLINE-70 d-diffuse	1997lm	and	3980lm	
②	LED INLINE-71 s-forward	1703lm	and	3980lm	
③	LED INLINE-72 s-backward	1846lm	and	3980lm	
④	LED INLINE-73 f-80°	1820lm	and	3980lm	
⑤	LED INLINE-74 f-40°	2045lm	and	3980lm	
⑥	LED INLINE-75 f-assym	1747lm	and	3980lm	
⑦	LED INLINE-76 f-lvr	1675lm (UGR 19)	and	3980lm	

REMARKS

General: System lamps with through-wiring (6x1.5mm² max.10A). The LED transformer is built into the lamps. LED working life: 55,000 hrs (L90/F10), 3SDCM, approx. 75,9W per metre @ 350mA

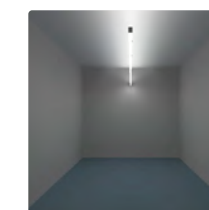
Dimmable DALI (DD):

Dimmable using DALI procedure or push-button; additional control cable is required. kreon inline neo is fitted with DALI transformer. On/off operation is possible through the P, N, E connection. Direct and indirect light portions can be connected up to separate circuits.

Designing hints:

kreon inline neo direct/indirect Suspended lamps are available from 1123mm (1133mm incl. end caps). We recommend designing inside the 281mm grid. Colour filters for inserting laterally into the second lens system are available in colours blue, yellow or orange.

d-diffus



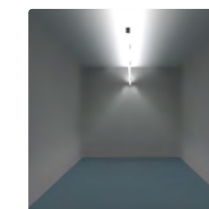
s-forward



s-backward



f-80°



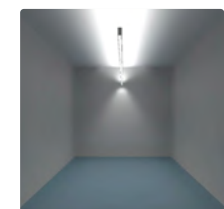
f-40°



f-assym



f-lvr



kreon kagi

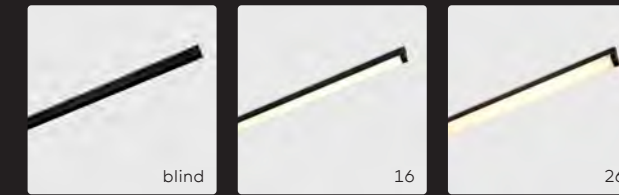
kagi means "key" in Japanese referring to the shape of a keyhole, which equals the shape of the profile, and symbolizes the key to a 3-dimensional world. kreon kagi is an innovative and remarkably versatile profile system combining linear and accent lighting.

The 24V profile can be either recessed or surface mounted, offering the flexibility to suit different installation requirements. To achieve a sustained soft light distribution, the profile can optionally be fitted with satinated continuous light tubes in 16mm or 26mm diameters. An ingenious junction allows a perpendicular, 90° tilted connections, enabling the creation of a second level with the 24V profile. This adds a new dimension to the lighting possibilities.

Additionally, round or square shaped spotlights and wallwashers can be effortlessly attached to the main profiles, providing additional lighting options. The position of the spotlights can be easily adjusted along the track, offering further customization. kreon kagi serves as an indispensable tool for architects and lighting designers, offering opportunities for creative light compositions and functioning as both a captivating visual element and a guiding light source. kreon kagi profiles and modules can be wirelessly dimmed using the Casambi app, providing a user-friendly control solution.

[↑ back to overview page profile systems](#)

kagi profile level 1 392



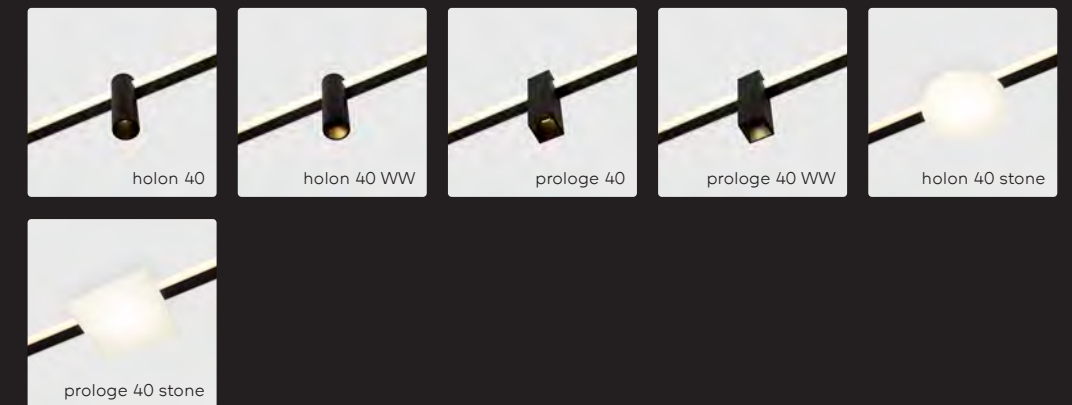
kagi modules level 1 398



kagi profile level 2 400

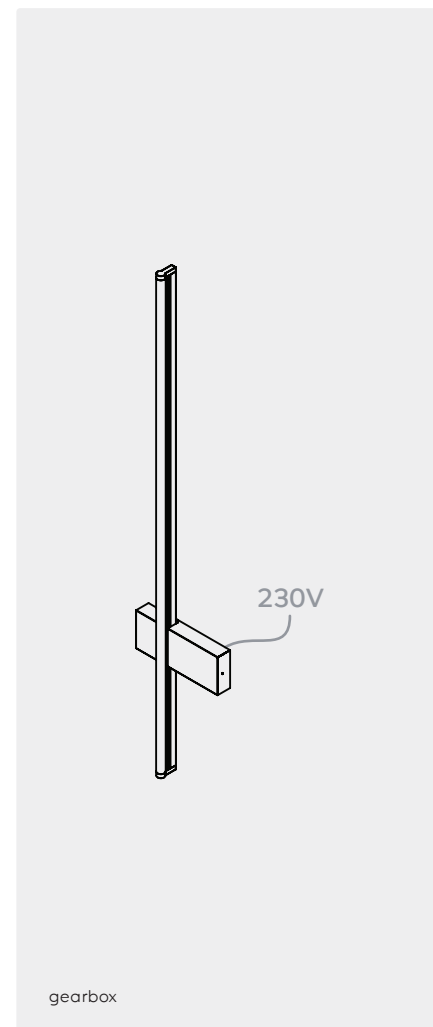
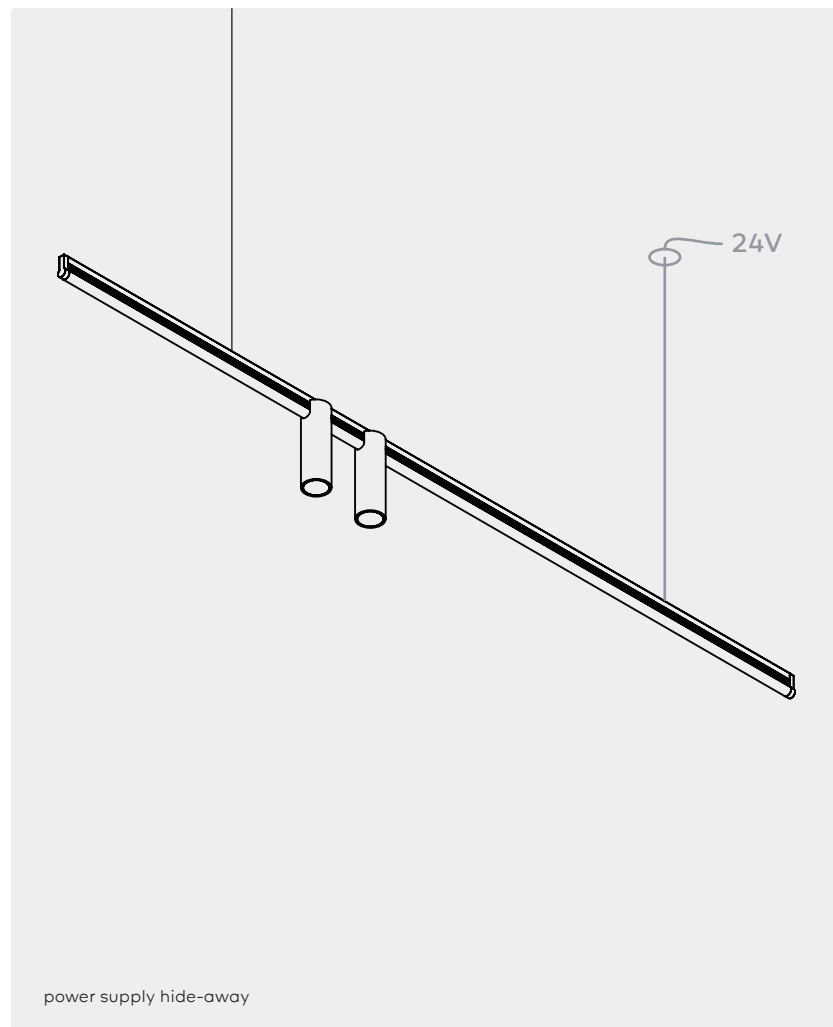
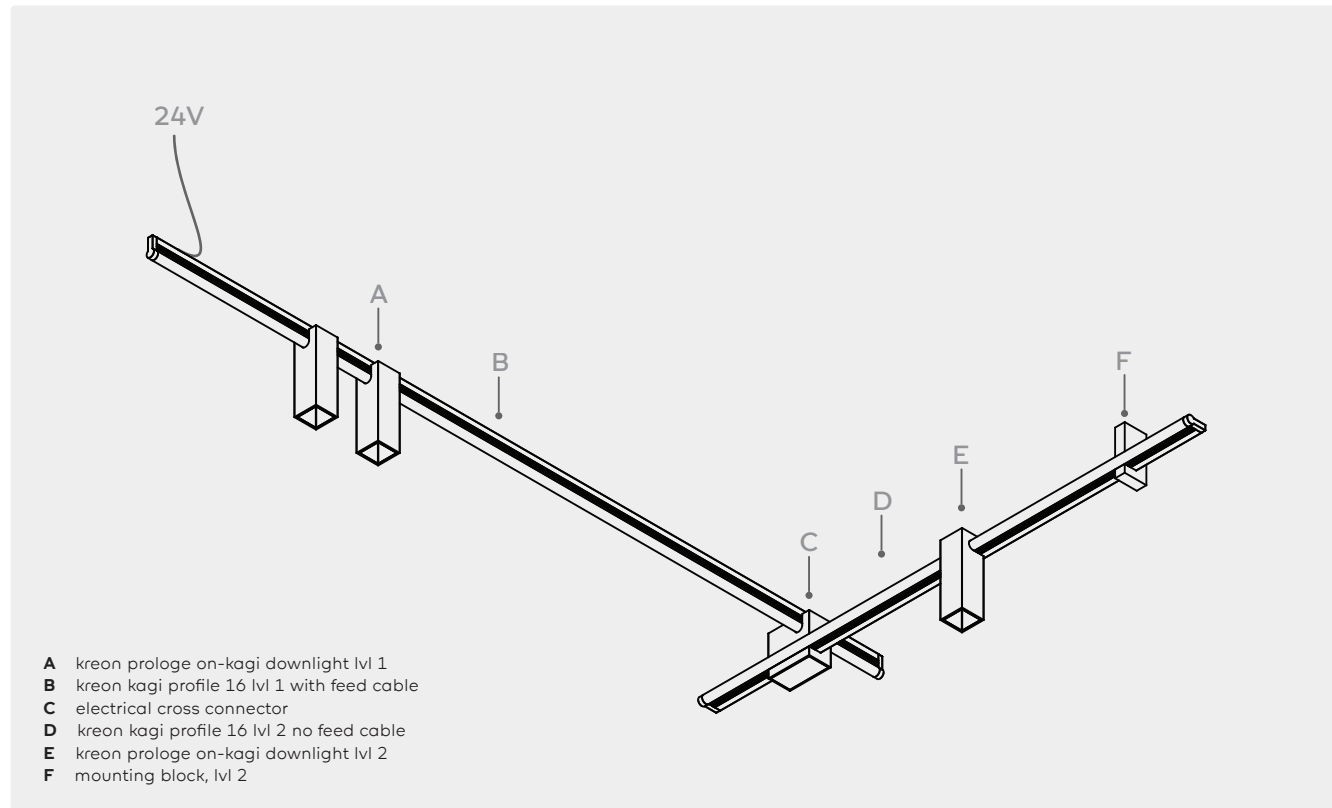


kagi modules level 2 404



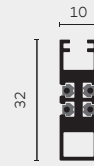
kagi recessed profile 406



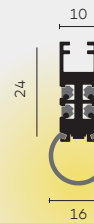


kreon kagi level 1 profiles

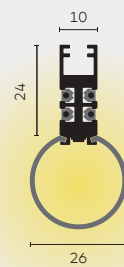
kagi blind surface mounted, level 1



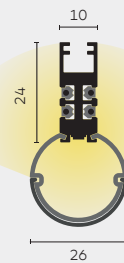
kagi 16, surface mounted, level 1



kagi 26, surface mounted, level 1



kagi 26, silver bowl under, surface mounted, level 1



	Colour	KR-code	Light sources	9027 2700K, CR90+	9030 3000K, CR90+	DIF diffuser	SBU silver bowl under	XS L = 532 mm	S L = 1032 mm	M L = 1532 mm	L L = 2032 mm	XL L = 3032 mm	Required accessories	Optional accessories
kagi blind surface mounted, level 1 Gear: excl. input voltage: 24Vdc ①	●	KR954902		●	●	●		●	●	●	●	●	■	■
kagi 16 surface mounted, level 1 Gear: excl. input voltage: 24Vdc ①	●	KR954502	①	●	●	●		●	●	●	●	●	■	■
kagi 26 surface mounted, level 1 Gear: excl. input voltage: 24Vdc ① Additional luminaires or cross connectors can't be added to a kagi 26	●	KR954602	②	●	●	●		●	●	●	●	●	■	■
			③	●	●		●	●	●	●	●	●	■	■
■ Required accessories														
Installation tool		KR754911	Tooling set for installation of level 1 profile + modules ②											
■ Optional accessories														
Power supply hide-away		KR754801	Plasterkit + blind cover, white ③											
Suspension kit		KR754701	Suspension kit, recessed mounted (plasterkit included) ③											
		KR754901	Suspension kit, surface mounted, white											
		KR754902	Suspension kit, surface mounted, black											
Surface mounted connection box		KR754821	Surface mounted connection box, level 1, 24Vdc, white											
		KR754822	Surface mounted connection box, level 1, 24Vdc, black											
Power supply ④		KR772070	LED power supply 24VDC, 60W, ON-OFF											
		KR772072	LED power supply 24VDC, 60W, 0-10V											
		KR772073	LED power supply 24VDC, 60W, DALI ⑤											
		KR772074	LED power supply 24VDC, 60W, Casambi											
		KR772270	LED power supply 24VDC, 120W, ON-OFF											
		KR772272	LED power supply 24VDC, 120W, 0-10V											
		KR772273	LED power supply 24VDC, 120W, DALI ⑤											
		KR772274	LED power supply 24VDC, 120W, Casambi											
CV dimmers		KR774006	DALI 24Vdc controller for linear light tubes											
Gateway		KR762070	Casambi DALI gateway ⑤											
Switches		KR762971	Casambi Xpress switch, white											
		KR762972	Casambi Xpress switch, black											

REMARKS

① Level 1 profiles are supplied with 4m feed cable at the end. 2~circuits, max. system load: 2x84W

② One tooling set per project is recommended

③ To place remote power supply on plenum while maintaining access

④ Suitable for installation with power supply hide-away accessory

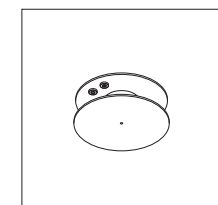
⑤ To address and control light modules individually with DALI, use the Casambi DALI gateway in combination with Casambi enabled light modules. To address and control all light modules at the same time, use the PWM dimmable light modules.

All accessories are included for wall mounted installation

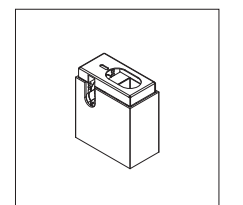
IP20

		CRI	CCT	Voltage	Wattage	Fixture lumen
①	LED	CRI90+	2700K/3000K	24Vdc	12,3W/m	808lm/m
②	LED	CRI90+	2700K/3000K	24Vdc	12,3W/m	873lm/m
③	LED	CRI90+	2700K/3000K	24Vdc	12,3W/m	205lm/m

Power supply hide-away

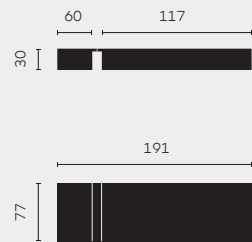


Surface mounted connection box, level 1

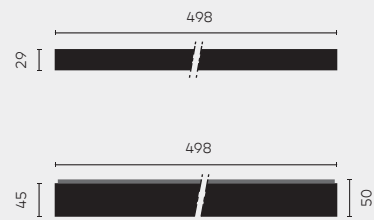


kreon kagi level 1 profile gearboxes

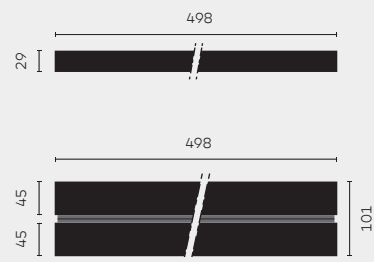
kagi gearbox, 230V, 20W



kagi gearbox, 230V, 70W



kagi gearbox, 230V, 2x70W



Optional accessories

1~ phase 20W for linear kagi profiles

KR754024 kagi gearbox 230V, 20W, ON/OFF, white

KR754324 kagi gearbox 230V, 20W, ON/OFF, black

KR754022 kagi gearbox 230V, 20W, 1-10V, white

KR754322 kagi gearbox 230V, 20W, 1-10V, black

KR754026 kagi gearbox, 230V, 20W, DALI, white

KR754326 kagi gearbox, 230V, 20W, DALI, black

1~ phase 70W for linear kagi profiles

KR754124 kagi gearbox 230V, 70W, ON/OFF, white

KR754424 kagi gearbox 230V, 70W, ON/OFF, black

KR754122 kagi gearbox 230V, 70W, 1-10V, white

KR754422 kagi gearbox 230V, 70W, 1-10V, black

KR754126 kagi gearbox, 230V, 70W, DALI, white

KR754426 kagi gearbox, 230V, 70W, DALI, black

KR754128 kagi gearbox, 230V, 70W, Casambi, white

KR754428 kagi gearbox, 230V, 70W, Casambi, black

2~ phase 140W for linear kagi profiles and kagi modules

KR754224 kagi gearbox 230V, 2x70W, ON/OFF, white

KR754524 kagi gearbox 230V, 2x70W, ON/OFF, black

KR754222 kagi gearbox 230V, 2x70W, 1-10V, white

KR754522 kagi gearbox 230V, 2x70W, 1-10V, black

KR754226 kagi gearbox, 230V, 2x70W, DALI, white

KR754526 kagi gearbox, 230V, 2x70W, DALI, black

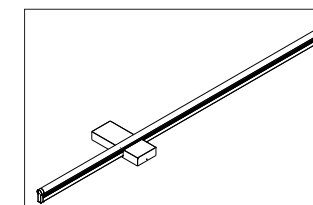
KR754228 kagi gearbox, 230V, 2x70W, Casambi, white

KR754528 kagi gearbox, 230V, 2x70W, Casambi, black

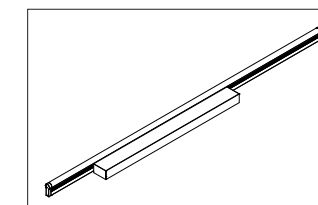
REMARKS

IP20

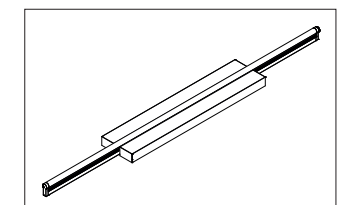
Kagi gearbox, 230V, 20W



Kagi gearbox, 230V, 70W



Kagi gearbox, 230V, 2x70W



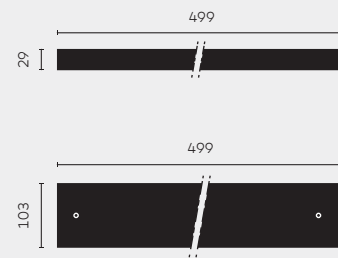
kreon kagi level 1

suspension kit gearboxes

kagi suspension kit gearbox, 230V, 70W



kagi suspension kit gearbox, 230V, 2x70W



Optional accessories

1~ phase 70W for kagi suspension kit

KR754104 kagi suspension kit gearbox 230V, 70W, ON/OFF, white

KR754204 kagi suspension kit gearbox 230V, 70W, ON/OFF, black

KR754102 kagi suspension kit gearbox 230V, 70W, 1-10V, white

KR754202 kagi suspension kit gearbox 230V, 70W, 1-10V, black

KR754106 kagi suspension kit gearbox, 230V, 70W, DALI, white

KR754206 kagi suspension kit gearbox, 230V, 70W, DALI, black

KR754108 kagi suspension kit gearbox, 230V, 70W, Casambi, white

KR754208 kagi suspension kit gearbox, 230V, 70W, Casambi, black

2~ phase 140W for kagi suspension kit

KR754304 kagi suspension kit gearbox 230V, 2x70W, ON/OFF, white

KR754404 kagi suspension kit gearbox 230V, 2x70W, ON/OFF, black

KR754302 kagi suspension kit gearbox 230V, 2x70W, 1-10V, white

KR754402 kagi suspension kit gearbox 230V, 2x70W, 1-10V, black

KR754306 kagi suspension kit gearbox, 230V, 2x70W, DALI, white

KR754406 kagi suspension kit gearbox, 230V, 2x70W, DALI, black

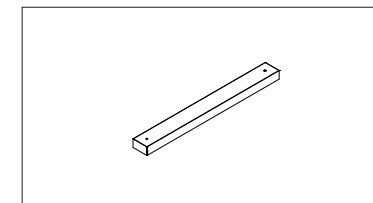
KR754308 kagi suspension kit gearbox, 230V, 2x70W, Casambi, white

KR754408 kagi suspension kit gearbox, 230V, 2x70W, Casambi, black

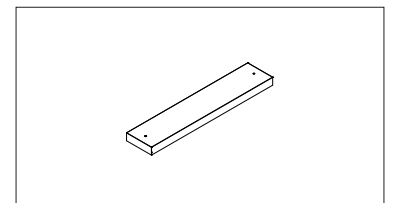
REMARKS

IP20

Kagi suspension kit gearbox, 230V, 70W



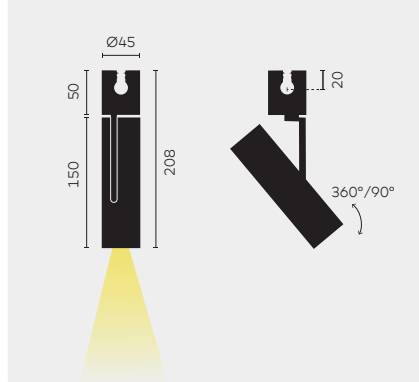
Kagi suspension kit gearbox, 230V, 2x70W



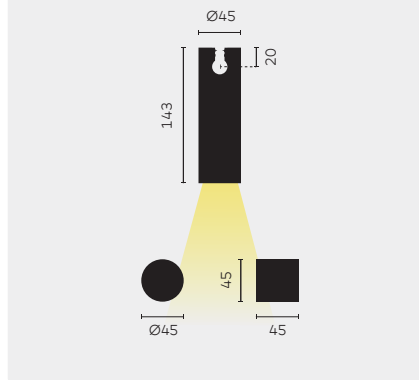
kreon kagi level 1

light modules

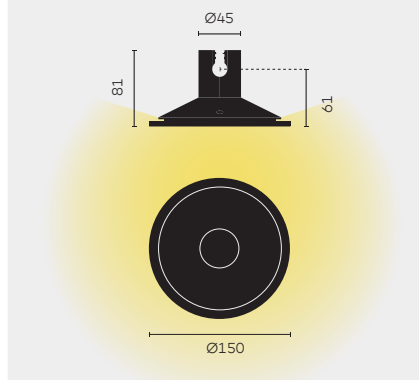
holon 40 on-kagi directional, level 1



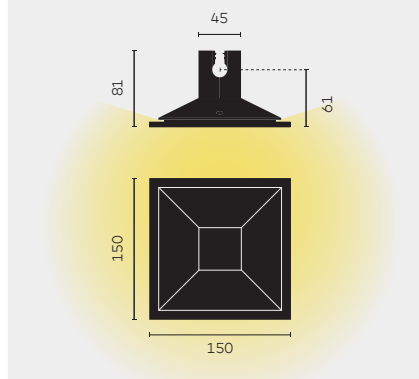
holon 40 & prologe 40 on-kagi fixed, level 1



holon 40 stone on-kagi, level 1



prologe 40 stone on-kagi, level 1



	Colour	KR-code	Light sources	9027 2700K, CRI90+	9030 3000K, CRI90+	SP Spot (15°)	FL Flood (30°)	WFL Wide flood (40°)	DL Dark light (38°)	MDL Wide dark light (76°)	DM ON/OFF or PWM dimmable	CD Casambi dimming
holon 40 on-kagi directional, level 1 ①	○	KR954541	①	●	●	●	●	●	●	●	●	●
	●	KR954542	①	●	●	●	●	●	●	●	●	●
holon 40 on-kagi fixed, level 1 ②	○	KR954521	②	●	●	●	●				●	●
	●	KR954522	②	●	●	●	●				●	●
holon 40 on-kagi wallwasher, level 1 ③	○	KR954561	③	●	●						●	●
	●	KR954562	③	●	●						●	●
holon 40 stone on-kagi, level 1 ④ alabaster finish ⑤	●	KR954582	④	●	●						●	●
prologe 40 on-kagi fixed, level 1 ②	○	KR954021	②	●	●	●	●				●	●
	●	KR954022	②	●	●	●	●				●	●
prologe 40 on-kagi wallwasher, level 1 ③	○	KR954061	③	●	●						●	●
	●	KR954062	③	●	●						●	●
prologe 40 stone on-kagi, level 1 ④ alabaster finish ⑤	●	KR954082	④	●	●						●	●

			CRI	CCT	Voltage	Wattage	Fixture lumen
①	LED	FL	CRI90+	2700K/3000K	24Vdc	9,8W	558lm
		DL	CRI90+	2700K/3000K	24Vdc	9,8W	417lm
②	LED		CRI90+	2700K/3000K	24Vdc	9,8W	465lm
③	LED		CRI90+	2700K/3000K	24Vdc	5,2W	279lm
④	LED		CRI90+	2700K/3000K	24Vdc	9,8W	159lm

REMARKS

kreon kagi modules cannot be used on kreon kagi 26 profile.

① Not applicable on recessed or vertically mounted kagi profiles.

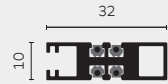
② Compatible with ceiling mounted and vertical wall mounted profiles.

⑤ Protect the alabaster block against direct sunlight and temperatures above 50°C.

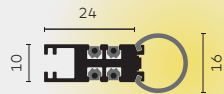
IP20

kreon kagi level 2 profiles

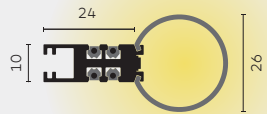
kagi blind surface mounted, level 2



kagi 16, surface mounted, level 2



kagi 26, surface mounted, level 2



kagi blind, level 2
Gear: excl. input voltage: 24Vdc ① ②

kagi 16, level 2
Gear: excl. input voltage: 24Vdc ① ②

kagi 26, level 2
Gear: excl. input voltage: 24Vdc ① ②
No additional fixtures possible

Colour	KR-code	Light sources	9027 2700K, CRI90+	9030 3000K, CRI90+	DIF diffuser	XS L = 532 mm	S L = 1032 mm	M L = 1532 mm	L L = 2032 mm	XL L = 3032 mm	Required accessories	Optional accessories
●	<u>KR954412</u>					●	●	●	●	●	■	■
●	<u>KR954012</u>	①	●	●	●	●	●	●	●	●	■	■
●	<u>KR954112</u>	②	●	●	●	●	●	●	●	●	■	■

		CRI	CCT	Voltage	Wattage	Fixture lumen
①	LED	CRI90+	2700K/3000K	24Vdc	12,3W/m	808lm/m
②	LED	CRI90+	2700K/3000K	24Vdc	12,3W/m	873lm/m

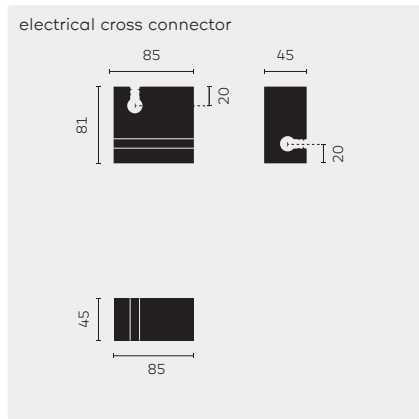
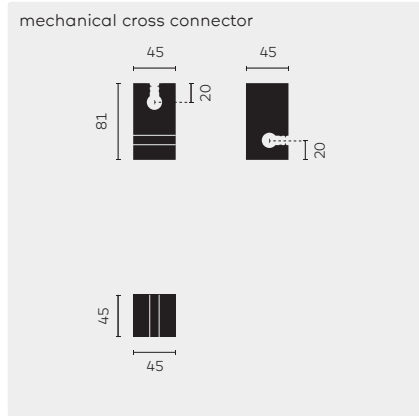
REMARKS

① 2~circuits, max. system load: 2x84W

② Only compatible with ceiling mounted profiles. Second level profiles can never be combined for wall applications.

IP20

kreon kagi level 2 profile accessories



■ Required accessories

Cross connector

KR754611 Mechanical cross connector, level 1 to level 2, white

KR754612 Mechanical cross connector, level 1 to level 2, black

KR754711 Electrical cross connector, level 1 to level 2, white

KR754712 Electrical cross connector, level 1 to level 2, black

■ Optional accessories

Surface mounted connection box

KR754811 Surface mounted connection box, level 1+2, 24Vdc, white

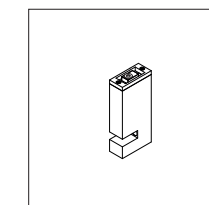
KR754812 Surface mounted connection box, level 1+2, 24Vdc, black

Mounting block

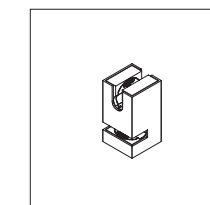
KR754601 Mounting block, to support level 2 profile, white

KR754602 Mounting block, to support level 2 profile, black

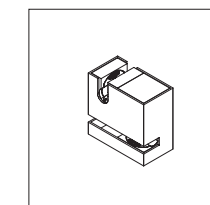
Mounting block



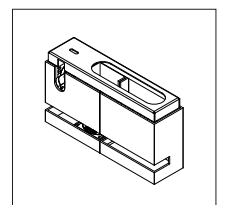
Mechanical cross connector



Electrical cross connector



Surface mounted connection box, level 2

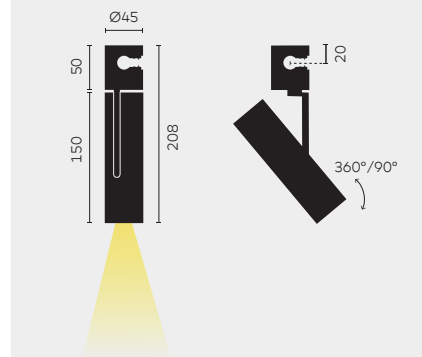


REMARKS

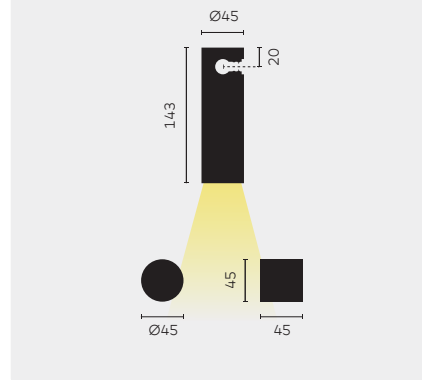
IP20

kreon kagi level 2 light modules

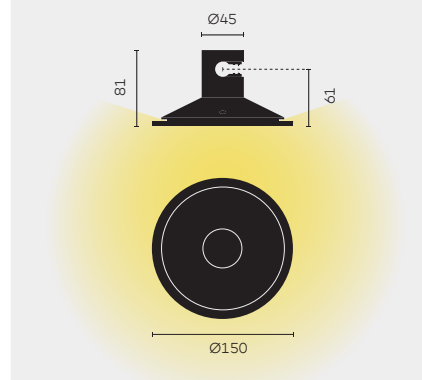
holon 40 on-kagi directional, level 2



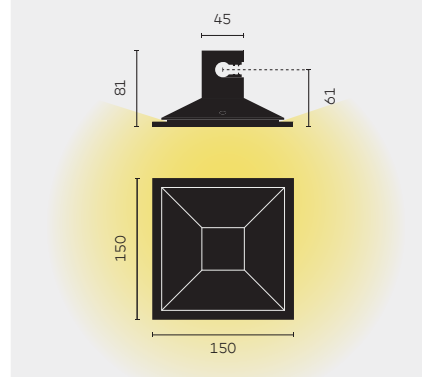
holon 40 & prologe 40 on-kagi fixed, level 2



holon 40 stone on-kagi, level 2



prologe 40 stone on-kagi, level 2



	Colour	KR-code	Light sources	9027 2700K, CRI90+	9030 3000K, CRI90+	SP Spot (15°)	FL Flood (30°)	WFL Wide flood (40°)	DL Dark light (38°)	WDL Wide dark light (76°)	DM ON/OFF or PWM dimmable	CD Casambi dimming
holon 40 on-kagi directional, level 2	○	KR954551	①	●	●	●	●	●	●	●	●	●
	●	KR954552	①	●	●	●	●	●	●	●	●	●
holon 40 on-kagi fixed, level 2	○	KR954531	②	●	●	●	●				●	●
	●	KR954532	②	●	●	●	●				●	●
holon 40 on-kagi wallwasher, level 2	○	KR954571	③	●	●						●	●
	●	KR954572	③	●	●						●	●
holon 40 stone on-kagi, level 2 alabaster finish ①	●	KR954592	④	●	●						●	●
prologe 40 on-kagi fixed, level 2	○	KR954031	②	●	●	●	●				●	●
	●	KR954032	②	●	●	●	●				●	●
prologe 40 on-kagi wallwasher, level 2	○	KR954071	③	●	●						●	●
	●	KR954072	③	●	●						●	●
prologe 40 stone on-kagi, level 2 alabaster finish ①	●	KR954092	④	●	●						●	●

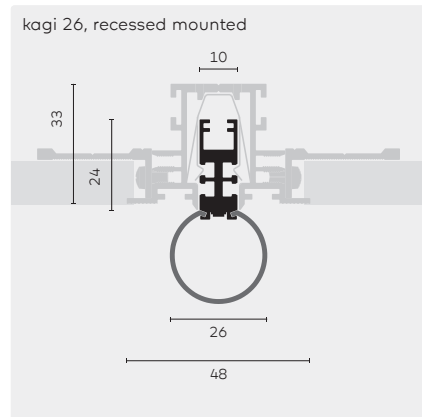
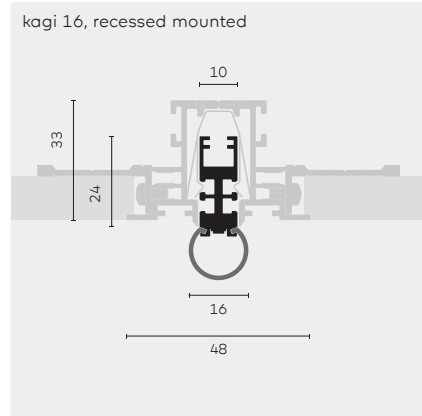
			CRI	CCT	Voltage	Wattage	Fixture lumen
①	LED	FL	CRI90+	2700K/3000K	24Vdc	9,8W	558lm
		DL	CRI90+	2700K/3000K	24Vdc	9,8W	417lm
②	LED		CRI90+	2700K/3000K	24Vdc	9,8W	465lm
③	LED		CRI90+	2700K/3000K	24Vdc	5,2W	279lm
④	LED		CRI90+	2700K/3000K	24Vdc	9,8W	159lm

REMARKS

kreon kagi modules cannot be used on kreon kagi 26 profile.
① Protect the alabaster block against direct sunlight and temperatures above 50°C.

IP20

kreon kagi recessed profiles



kagi 16 recessed mounted
No additional fixtures or cross connectors possible

kagi 26 recessed mounted
No additional fixtures or cross connectors possible

Required accessories

Plasterkit for recessed mounting ①

Optional accessories

Connector

Power supply

CV dimmers

Switches

Colour	KR-code	Light sources	9027 2700K, CRI90+	9030 3000K, CRI90+	DIF diffuser	SBU side bowl under	XS L = 532 mm	S L = 1032 mm	M L = 1532 mm	L L = 2032 mm	XL L = 3032 mm	Required accessories	Optional accessories
●	<u>KR954002</u>	①	●	●	●		●	●	●	●	●	■	■
●	<u>KR954102</u>	①	●	●	●		●	●	●	●	●	■	■
		③	●	●		●	●	●	●	●	●	■	■

KR754001-XS Plasterkit, XS

KR754001-S Plasterkit, S

KR754001-M Plasterkit, M

KR754001-L Plasterkit, L

KR754001-XL Plasterkit, XL

KR754002 Connector to align consecutive plasterkit profiles

KR772070 LED power supply 24VDC, 60W, ON-OFF

KR772072 LED power supply 24VDC, 60W, 0-10V

KR772073 LED power supply 24VDC, 60W, DALI

KR772074 LED power supply 24VDC, 60W, Casambi

KR772270 LED power supply 24VDC, 120W, ON-OFF

KR772272 LED power supply 24VDC, 120W, 0-10V

KR772273 LED power supply 24VDC, 120W, DALI

KR772274 LED power supply 24VDC, 120W, Casambi

KR774006 DALI 24Vdc controller for linear light tubes

KR762971 Casambi Xpress switch, white

KR762972 Casambi Xpress switch, black

	CRI	CCT	Voltage	Wattage	Fixture lumen	
①	LED	CRI90+	2700K/3000K	24Vdc	12,3W/m	808lm/m
②	LED	CRI90+	2700K/3000K	24Vdc	12,3W/m	873lm/m
③	LED	CRI90+	2700K/3000K	24Vdc	12,3W/m	205lm/m

REMARKS

① Plasterkit profile should be finished with polyester gypsum.

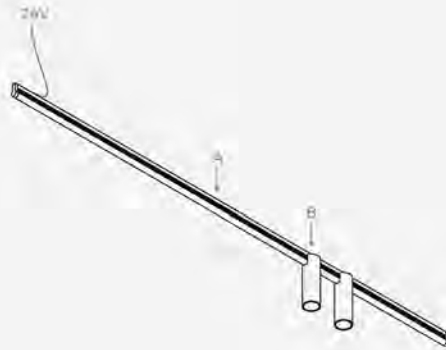
Thickness boardmaterial:
12,5mm / 15mm / 18mm

IP20

kreon kagi

example configurations

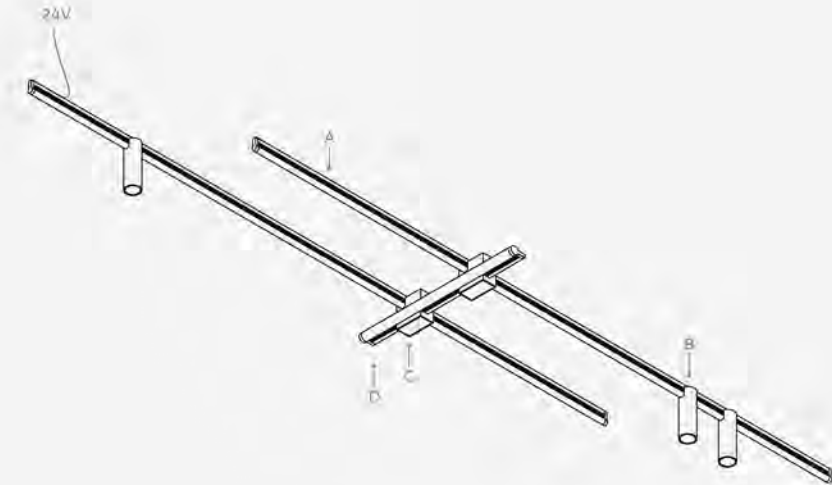
Example configuration A



- A. kagi 16 surface mounted profile lvl 1 with feed cable - M
- B. holon 40 on-kagi downlight lvl 1

KR954502
KR95452x

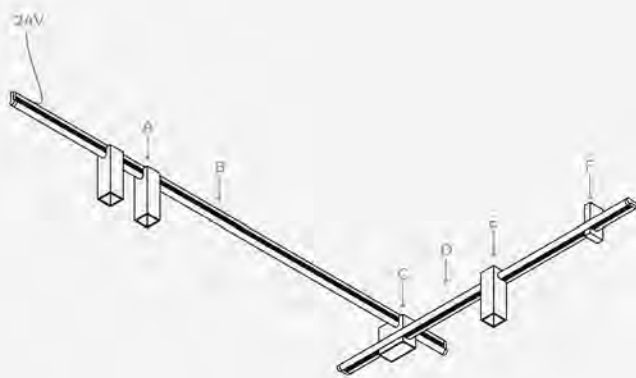
Example configuration C



- A. kagi 16 surface mounted profile lvl 1 with feed cable - L
- B. holon 40 on-kagi downlight lvl 1
- C. kagi electrical cross connector
- D. kagi 26 surface mounted profile lvl 2 without feed cable - XS

KR954502
KR95452x
KR75471x
KR954112

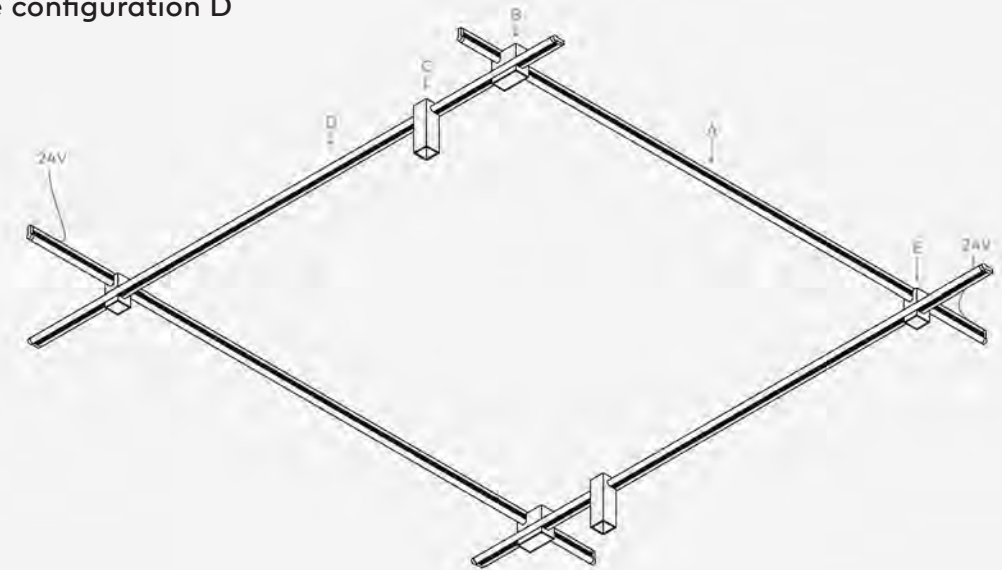
Example configuration B



- A. prologe 40 on-kagi downlight lvl 1
- B. kagi 16 surface mounted profile lvl 1 with feed cable - M
- C. kagi electrical cross connector
- D. kagi 16 surface mounted profile lvl 2 without feed cable - S
- E. prologe 40 on-kagi downlight lvl 2
- F. kagi mounting block lvl 2

KR95402x
KR954502
KR75471x
KR954012
KR95403x
KR75460x

Example configuration D

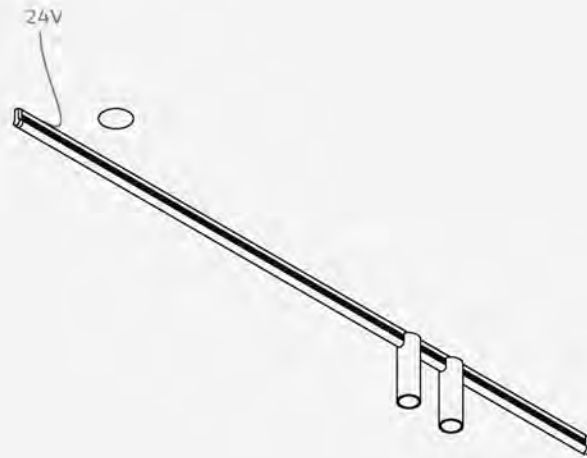


- A. kagi 16 surface mounted profile lvl 1 with feed cable - L
- B. kagi electrical cross connector
- C. prologe 40 on-kagi downlight lvl 2
- D. kagi 16 surface mounted profile lvl 2 without feed cable - L
- E. kagi mechanical cross connector

KR954502
KR75471x
KR95403x
KR954012
KR75461x

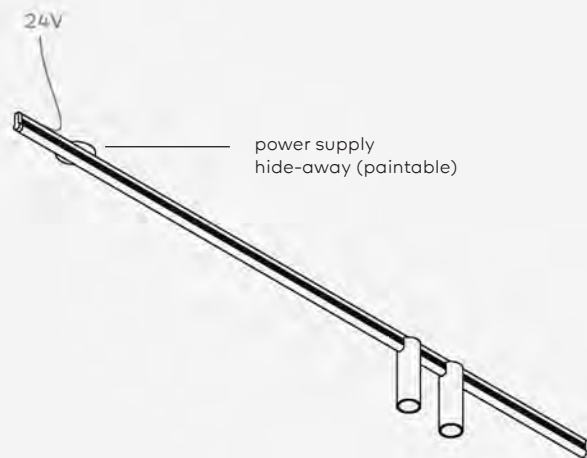
kreon kagi wiring options

Wiring option 1: feed through cable + power supply access



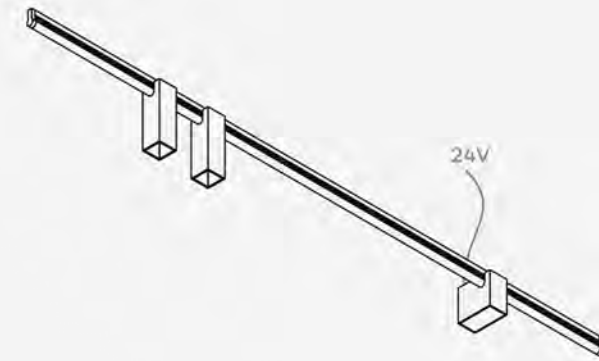
Direct 24V profile feed for plasterboard ceilings with power supply positioned in proximity of the kagi structure. An optional power supply hide-away can be used for easy access of drivers in a discreet way.

Wiring option 2: feed through cable + power supply hide-away behind profile



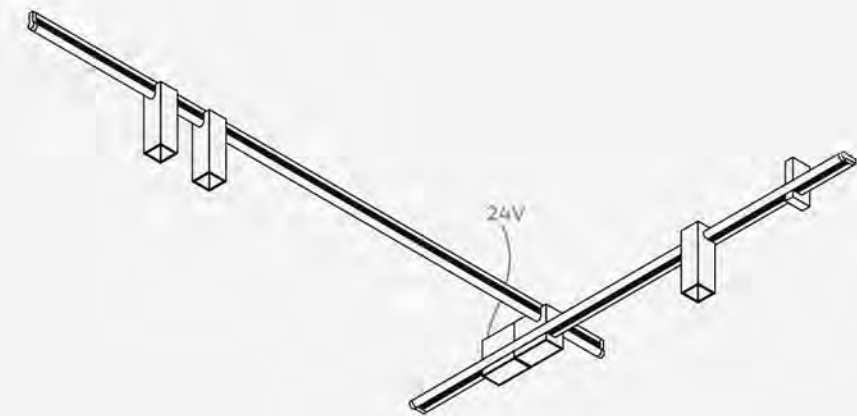
Direct 24V profile feed for plasterboard ceilings with power supply positioned right above the kagi structure. Use the power supply hide-away. for easy access of drivers.

Wiring option 3: surface mounted connection box lvl 1



24V feed for concrete or other stone ceilings with remotely positioned power supplies and dimmers. Use the lvl 1 connection box to feed one single level.

Wiring option 4: surface mounted connection box lvl 1 + 2



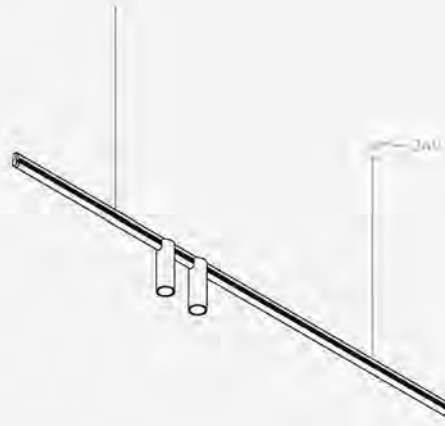
24V feed for concrete or other stone ceilings with remotely positioned power supplies and dimmers. Use the lvl 1 + 2 connection box to feed both levels at the same time.

kreon kagi

wiring options

Project private residence
Location Shanghai

Wiring option 5: Pendant connection



Direct 24V profile feed with power supply hide-away plastered flush with the ceiling. The power supply can be accessed through the plasterkit. It is also possible to make a surface mounted connection on top of the ceiling surface.

Wiring option 6: Gearbox connection



230V gearbox with integrated 24Vdc power supply can be placed anywhere along the profile.



kreon lini

Continuous linear light is an essential tool for architects and lighting designers. The kreon lini range provides solutions for all kinds of applications.

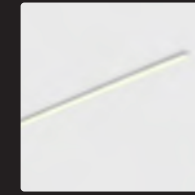
A recessed LED line on the beveled edge provides homogeneous and dot-free illumination. The slender kreon lini 10, equipped with a recessed silicone diffuser, emits a gentle and consistent distribution of soft light. This luminaire is ideal for creating captivating visual effects or serving as a guiding light element. Its sleek design allows for both a graphic play of light or functional guide light.

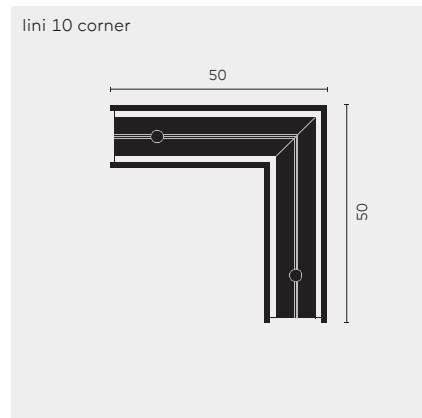
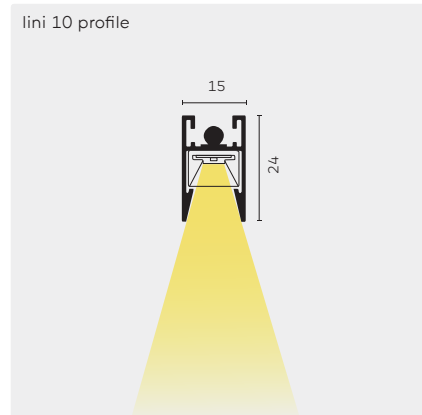
[↑ back to overview page profile systems](#)

lini 10 profile
416



lini 10 cove
418





lini 10 profile ①

Gear: excl.

Required accessories

Surface mounted installation

KR774010 Mounting clip ②

Recessed mounted installation

KR774210 Recessed trimless plasterkit ③

Optional accessories

Power supply

KR490373 LED power supply 24VDC/30W

KR772070 LED power supply 24VDC/60W

KR490375 LED power supply 24VDC/100W

KR490376 LED power supply 24VDC/150W

Controller

KR774006 DALI 24V controller

L-corner

KR774611 lini 10 profile L-corner, white

KR774612 lini 10 profile L-corner, black

KR774212 Plasterkit lini 10 L-corner (for recessed installation)

Wall to ceiling - corner

KR774911 lini 10 profile wall to ceiling corner, 90°, white

KR774912 lini 10 profile wall to ceiling corner, 90°, black

KR774215 Plasterkit lini 10 wall to ceiling (for recessed installation)

Colour	KR-code	Light sources	9027 2700K, CRI90+	9030 3000K, CRI90+	Required accessories	Optional accessories
○	KR974111	①	●	●	■	■
●	KR974112	①	●	●	■	■
●	KR974114	①	●	●	■	■

	CRI	CCT	Voltage	Wattage	Fixture lumen
① LED	CRI90+	2700K/3000K	24V	16W/m	716lm/m

REMARKS

① Profile length needs to be optimised in steps of 50mm. Length to be configured. No dark spots allowed. No more than 5m can be powered in series, longer lengths to be connected to the power supply in parallel. Use power supply on remote. Minimum 111mm, maximum length of a single run profile 2961mm, profile sections can be connected.

② Sold per 5 pieces. In case of surface mounted use 2 clips per meter.

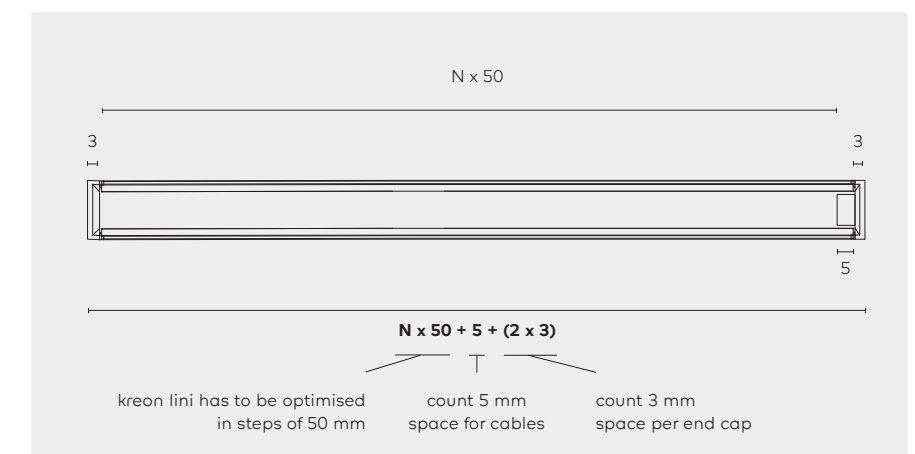
③ Plasterkit profile should be finished with polyester gypsum. Possible thickness of board material: 12.5/15/18mm.

● Bronze

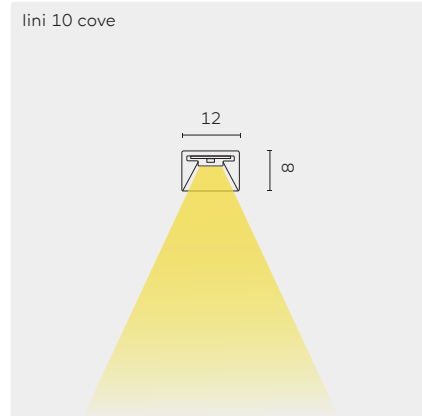
Profiles are supplied pre-assembled.
◆ IP44

Use this formula to configure the length of the profile:
 $N \times 50\text{mm} + 5\text{mm} + (2 \times 3\text{mm})$

For profiles in multiple sections, please contact your kreon sales representative or one of the kreon offices.



kreon lini 10



lini 10 cove ①

Gear: excl.

KR-code
KR774111

Light sources
① ● ● ■

9027
2700K, CRI90+
9030
3000K, CRI90+

Optional accessories

Optional accessories

Power supply

KR490373 LED power supply 24VDC/30W

KR772070 LED power supply 24VDC/60W

KR490375 LED power supply 24VDC/100W

KR490376 LED power supply 24VDC/150W

Controller

KR774006 DALI 24V controller

	CRI	CCT	Voltage	Wattage	Fixture lumen
① LED	CRI90+	2700K/3000K	24V	14,4W/m	954lm/m

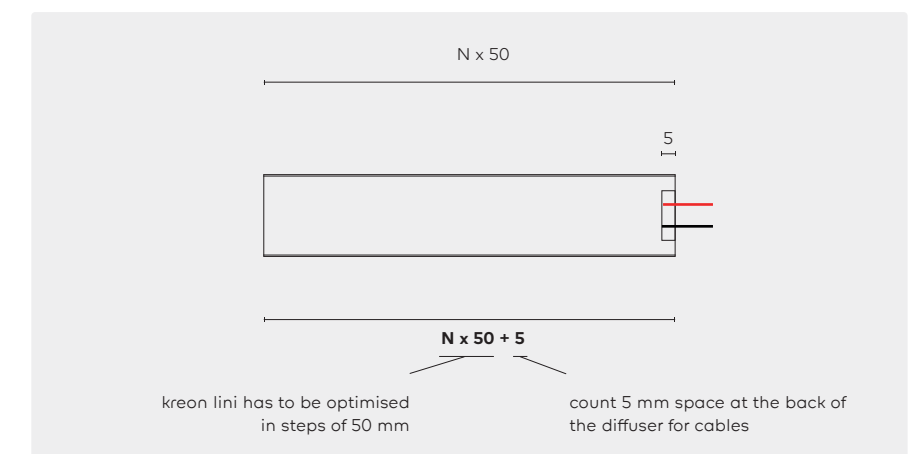
REMARKS

① Profile length needs to be optimised in steps of 50mm. Length to be configured. No more than 5m can be powered in series, longer lengths to be connected to the power supply in parallel. Use power supply on remote. Minimum 55mm, maximum length of a single run profile 3005mm. Double sided tape is included.

Profiles are supplied pre-assembled.
◆ IP44

Use this formula to configure the length of the profile:
 $N \times 50\text{mm} + 5\text{mm}$

For profiles in multiple sections, please contact your kreon sales representative or one of the kreon offices.



kreon nuit

kreon nuit is a downlight system that merges points of light within a continuous and subtle shadow gap. This luminaire can be installed in various ways, including recessed, surface-mounted, or pendant-mounted, allowing for precise placement of light modules exactly where illumination is desired. The profiles are available in standard lengths or can be custom-made to perfectly accommodate the specific requirements of each project.

[↑ back to overview page profile systems](#)

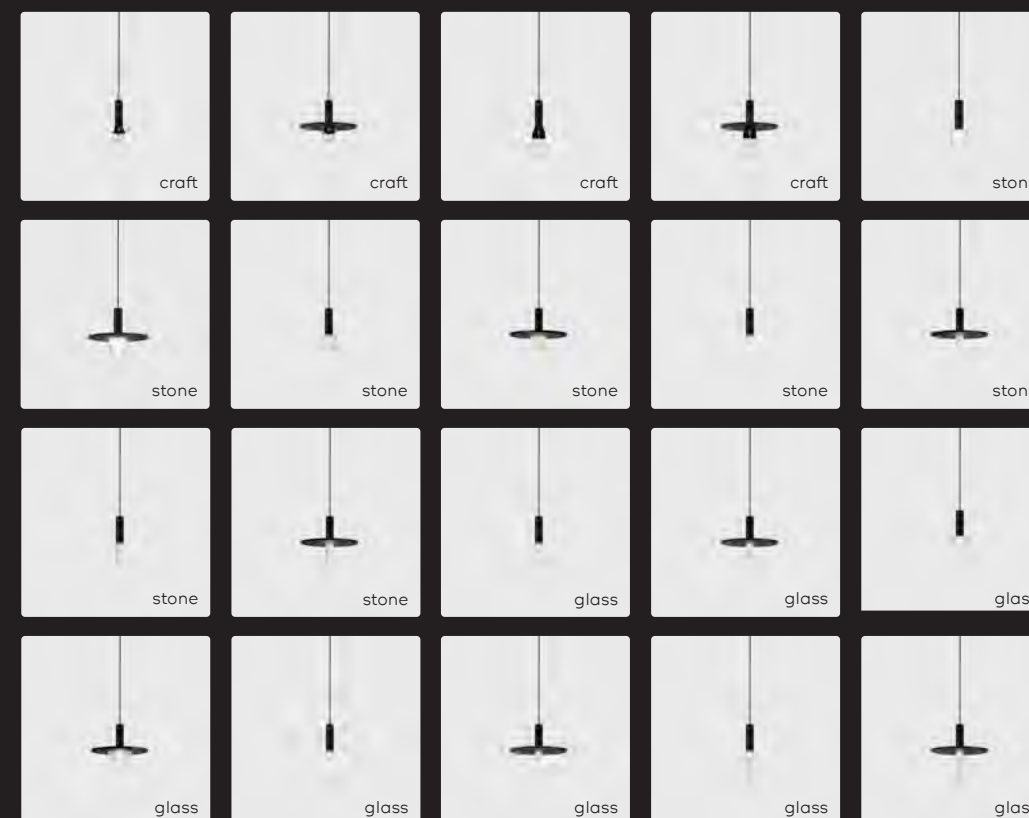
nuit profile
422



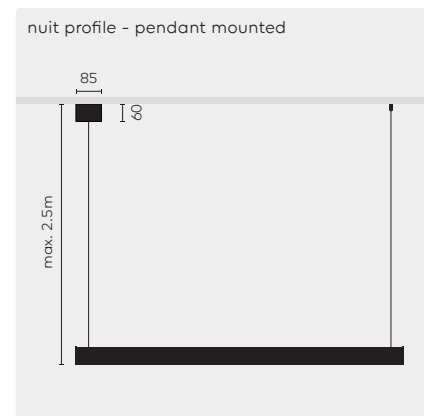
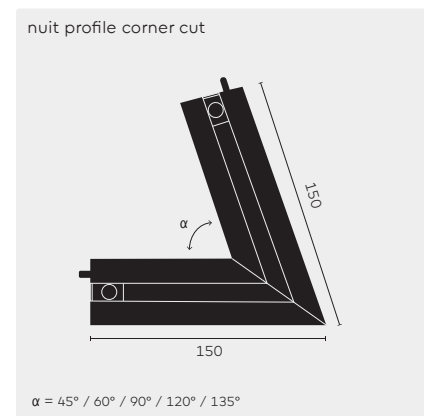
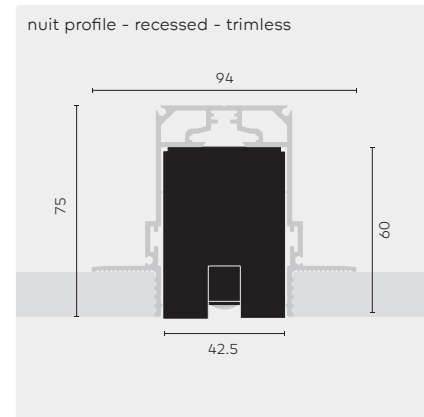
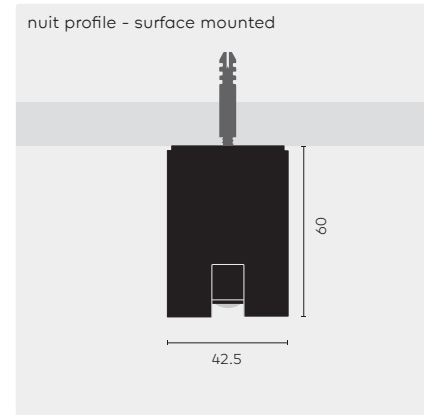
holon in-nuit
426



oran in-nuit
428



kreon nuit profile



nuit profile
 Gear: incl. or excl., dim options: phase, 1-10V, DALI
 Min. length: 500mm, max length: 6000mm ❶

Optional accessories

Recessed mounting

Pendant mounting ❷

Electrical wiring

IP44 coating

Colour
 KR-code
 Required accessories
 Optional accessories

○	KR703211	■	■
●	KR703212	■	■
◐	KR703215	■	■
◑	KR703210	■	■
○	KR703213	■	■
●	KR703214	■	■
●	KR703218	■	■

[KR703155](#) Trimless plasterkit profile

[KR703555](#) Suspension kit

[KR703550](#) Additional suspension ❸

[KR774190](#) Extra electrical wiring (for an extra circuit)

[KR774290](#) IP44 coating

Corner cut ❹

[KR703411](#) nuit corner cut, white/white

[KR703412](#) nuit corner cut, black/black

[KR703415](#) nuit corner cut, white/black

[KR703410](#) nuit corner cut, fume grey

[KR703413](#) nuit corner cut, natural grey

[KR703414](#) nuit corner cut, bronze

[KR703418](#) nuit corner cut, gold

[KR703815](#) Trimless plasterkit corner cut

45
Corner 45°
60
Corner 60°
90
Corner 90°
120
Corner 120°
135
Corner 135°

REMARKS

❶ Max. shipping length of a single run profile. Shipping length depends on transport possibilities. Fixation point every 2.3m. An additional circuit is possible on request

❷ kreon nuit pendant mounted only available with integrated gear.

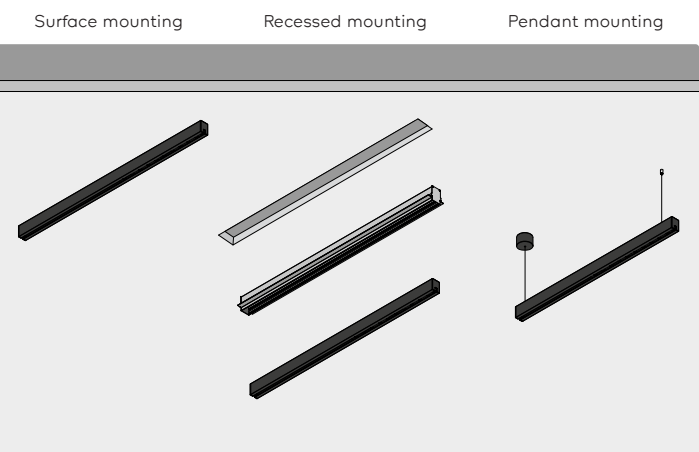
❸ An additional suspension kit is required when the pendant kreon nuit is longer than 2.3m. Add an extra suspension per additional 2.3 meter in length.

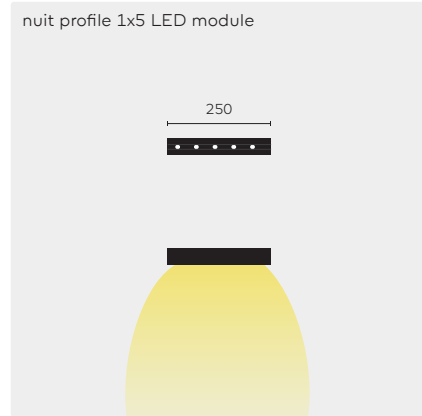
❹ Corner cut has outside dimensions of 150 x 150mm. No luminaires can be placed in the corner cut.


- Fume grey
- ◑ Grey anodised
- Bronze
- Gold

The nuit profile with one of the above 4 colours always has a black inner plate.

The profile is supplied pre-assembled. IP20 standard; Can be supplied with additional coating for use in damp locations; driver must be placed on remote.





	KR-code	Light sources
 nuit profile 1x5 LED module	KR974190	9027 2700K, CRI90+ 9030 3000K, CRI90+ 9040 4000K, CRI90+
Optional accessories		
Driver for nuit 1x5 LED module	KR703020	LED driver, ON/OFF (1 driver = max. 3 modules)
	KR703021	LED driver, Phase dim (1 driver = max. 2 modules)
	KR703022	LED driver, 1-10V (1 driver = max. 3 modules)
	KR703023	LED driver, DALI (1 driver = max. 3 modules)
	KR772024	LED driver, 500mA, ON/OFF, 20W
	KR772220	LED driver, 500mA, 1-10V, 20W
	KR772126	LED driver, 500mA, DALI, 18W
Emergency kit ¹	KR703120	Emergency kit, battery pack and indicator LED

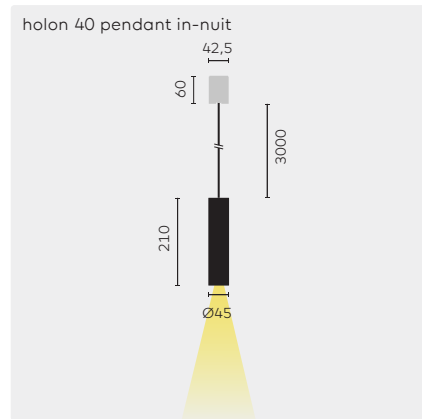
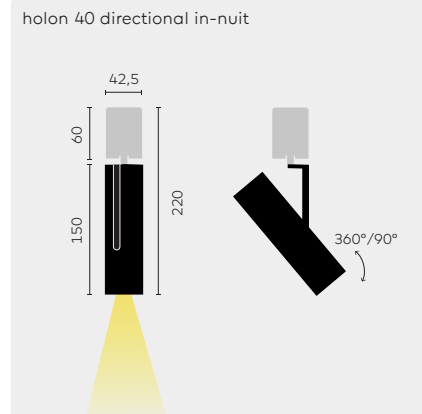
	CRI	CCT	Voltage	Wattage	Drive current	Fixture lumen
¹ LED	CRI90+	2700K/3000K/4000K		7W	500mA	585lm
			230V	7W		585lm

REMARKS

¹ kreon nuit profile length must be minimum 1500mm. Maximum 1 LED module with EM kit per profile section. The EM-kit is maintained, includes a 3hr. battery pack and indicator LED.

The profile is supplied pre-assembled. IP20 standard; Can be supplied with additional coating for use in damp locations; driver must be placed on remote.

kreon nuit profile



Colour	KR-code	Light sources	9027 2700K, CRI90+	9030 3000K, CRI90+	SP Spot (20°)	FL Flood (30°)	WFL Wide flood (40°)	DL Darklight (40°)	MDL Wide darklight (76°)	P1 Louvre painted white ①	P2 Louvre painted black	A5 Louvre red copper	Required accessories
○	KR962711	①	●	●	●	●	●	●	●				■
●	KR962712	①	●	●	●	●	●	●	●				■
○	KR962811	①	●	●	●	●	●	●	●	●	●	●	■
●	KR962812	①	●	●	●	●	●	●	●	●	●	●	■

■ Required accessories

Driver for holon/oran	KR703030	LED driver, switchable ON/OFF (1 driver = max. 3 luminaires)
	KR703031	LED driver, phase dimmable (1 driver = max. 1 luminaire)
	KR703032	LED driver, 1-10V dimmable (1 driver = max. 3 luminaires)
	KR703033	LED driver, DALI dimmable (1 driver = max. 3 luminaires)

		CRI	CCT	Wattage	Drive current	Fixture lumen
①	LED	CRI90+	2700K/3000K	8,4W	700mA	558lm
	darklight	CRI90+	2700K/3000K	8,4W	700mA	420lm

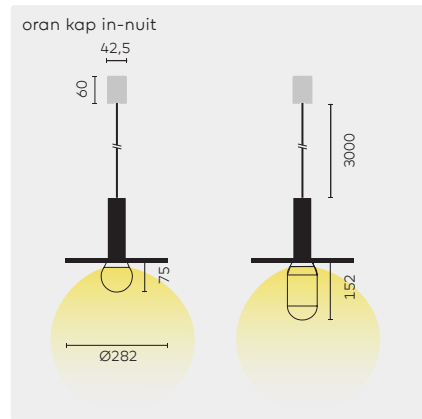
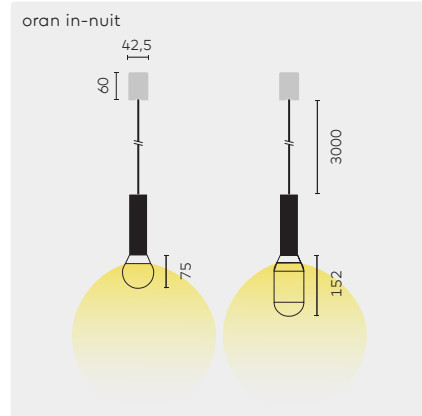
REMARKS

① Only available for SP/FL/WFL

Colours bronze, nickel, gold and gun black on request.

IP40

kreon nuit profile



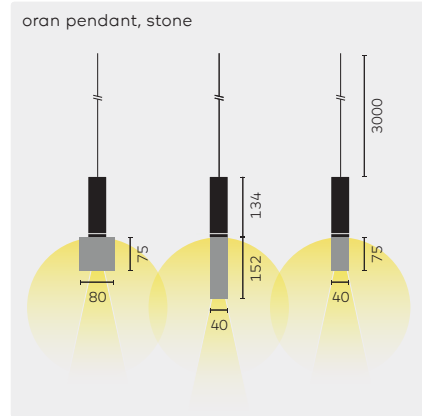
	Colour	KR-code	Light sources	9027 2700K, CRI90+	9030 3000K, CRI90+	P1 White shade bottom	P2 Black shade bottom	A3 Grey shade bottom	A4 Bronze shade bottom	Required accessories
oran pendant craft sphere bulb in-nuit ①	○	KR991421	①	●	●					■
	●	KR991422	①	●	●					■
oran pendant craft long ampoule in-nuit ①	○	KR991821	①	●	●					■
	●	KR991822	①	●	●					■
oran pendant kap craft sphere bulb in-nuit ①	○	KR991441	①	●	●	●				■
	●	KR991442	①	●	●		●	●	●	■
oran pendant kap craft long ampoule in-nuit ①	○	KR991841	①	●	●	●				■
	●	KR991842	①	●	●		●	●	●	■
■ Required accessories										
Driver for oran				KR703030	LED driver, switchable ON/OFF (1 driver = max. 3 luminaires)					
				KR703031	LED driver, phase dimmable (1 driver = max. 1 luminaire)					
				KR703032	LED driver, 1-10V dimmable (1 driver = max. 3 luminaires)					
				KR703033	LED driver, DALI dimmable (1 driver = max. 3 luminaires)					

		CRI	CCT	Wattage	Drive current	Fixture lumen
①	LED	CRI90+	2700K/3000K	6,7W	700mA	290lm
②	LED	CRI90+	2700K/3000K	6,7W	700mA	TBD
③	LED	CRI90+	2700K/3000K	6,7W	700mA	297lm
④	LED	CRI90+	2700K/3000K	6,7W	700mA	307lm

REMARKS

IP40

kreon nuit profile



	Colour	KR-code	Light sources	9027 2700K, CRI90+	9030 3000K, CRI90+	P1 White shade bottom	P2 Black shade bottom	A3 Grey shade bottom	A4 Bronze shade bottom	Required accessories
	○	KR991711	①	●	●					■
	●	KR991712	①	●	●					■
	○	KR991611	①	●	●					■
	●	KR991612	①	●	●					■
	○	KR991811	①	●	●					■
	●	KR991812	①	●	●					■
	○	KR991911	①	●	●					■
	●	KR991912	①	●	●					■
	○	KR991731	①	●	●	●				■
	●	KR991732	①	●	●		●	●	●	■
	○	KR991631	①	●	●	●				■
	●	KR991632	①	●	●		●	●	●	■
	○	KR991831	①	●	●	●				■
	●	KR991832	①	●	●		●	●	●	■
	○	KR991931	①	●	●	●				■
	●	KR991932	①	●	●		●	●	●	■

■ Required accessories

Driver for oran

KR703030	LED driver, switchable ON/OFF (1 driver = max. 3 luminaires)
KR703031	LED driver, phase dimmable (1 driver = max. 1 luminaire)
KR703032	LED driver, 1-10V dimmable (1 driver = max. 3 luminaires)
KR703033	LED driver, DALI dimmable (1 driver = max. 3 luminaires)

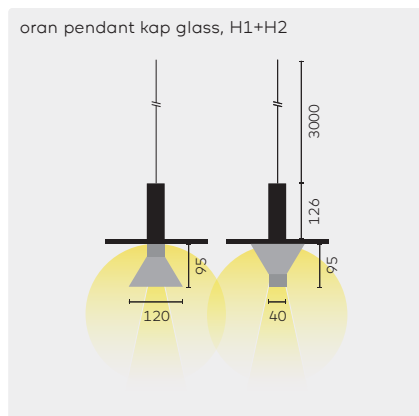
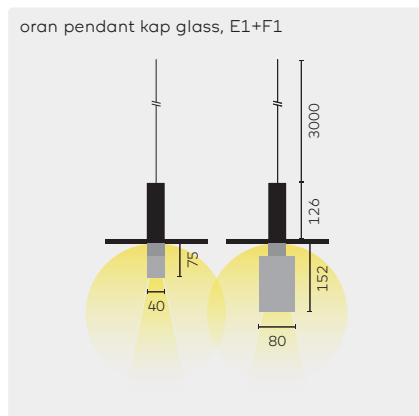
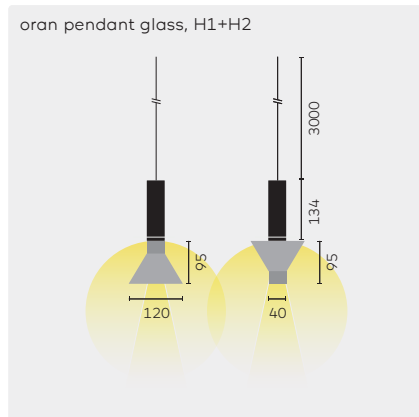
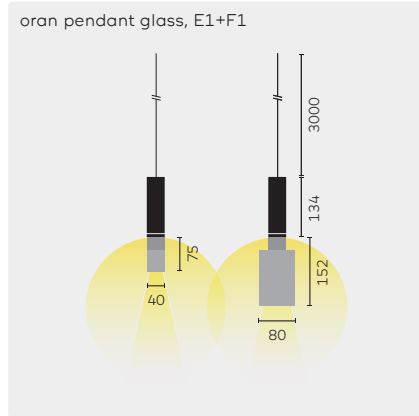
	CRI	CCT	Wattage	Drive current	Fixture lumen
①	LED CRI90+	2700K/3000K	6,7W	700mA	313lm
②	LED CRI90+	2700K/3000K	6,7W	700mA	250lm
③	LED CRI90+	2700K/3000K	6,7W	700mA	295lm
④	LED CRI90+	2700K/3000K	6,7W	700mA	234lm
⑤	LED CRI90+	2700K/3000K	6,7W	700mA	226lm
⑥	LED CRI90+	2700K/3000K	6,7W	700mA	172lm
⑦	LED CRI90+	2700K/3000K	6,7W	700mA	175lm
⑧	LED CRI90+	2700K/3000K	6,7W	700mA	119lm

REMARKS

- ① Protect the alabaster block against direct sunlight and temperatures above 50°C.
- ② Lumen output may vary due to the use of natural products.

Gear excluded.
◆ IP40

kreon nuit profile



	Colour	KR-code	Light sources	9027 2700K, CRI90+	9030 3000K, CRI90+	P1 White shade bottom	P2 Black shade bottom	A3 Grey shade bottom	A4 Bronze shade bottom	Required accessories
oran pendant glass in-nuit, cylinder, E1	○	KR971611	①	●	●					■
	●	KR971612	①	●	●					■
oran pendant glass in-nuit, double cylinder, F1	○	KR971811	②	●	●					■
	●	KR971812	②	●	●					■
oran pendant glass in-nuit, cone, H1	○	KR971711	③	●	●					■
	●	KR971712	③	●	●					■
oran pendant glass in-nuit, cone, H2	○	KR971911	④	●	●					■
	●	KR971912	④	●	●					■
oran pendant kap glass in-nuit, cylinder, E1	○	KR971631	⑤	●	●	●				■
	●	KR971632	⑤	●	●		●	●	●	■
oran pendant kap glass in-nuit, double cylinder, F1	○	KR971831	⑥	●	●	●				■
	●	KR971832	⑥	●	●		●	●	●	■
oran pendant kap glass in-nuit, cone, H1	○	KR971731	⑦	●	●	●				■
	●	KR971732	⑦	●	●		●	●	●	■
oran pendant kap glass in-nuit, cone, H2	○	KR971931	⑧	●	●	●				■
	●	KR971932	⑧	●	●		●	●	●	■

■ Required accessories

Driver for oran

KR703030	LED driver, switchable ON/OFF (1 driver = max. 3 luminaires)
KR703031	LED driver, phase dimmable (1 driver = max. 1 luminaire)
KR703032	LED driver, 1-10V dimmable (1 driver = max. 3 luminaires)
KR703033	LED driver, DALI dimmable (1 driver = max. 3 luminaires)

	CRI	CCT	Wattage	Drive current	Fixture lumen	
①	LED	CRI90+	2700K/3000K	8,4W	700mA	450lm
②	LED	CRI90+	2700K/3000K	8,4W	700mA	444lm
③	LED	CRI90+	2700K/3000K	8,4W	700mA	450lm
④	LED	CRI90+	2700K/3000K	8,4W	700mA	438lm
⑤	LED	CRI90+	2700K/3000K	8,4W	700mA	328lm
⑥	LED	CRI90+	2700K/3000K	8,4W	700mA	420lm
⑦	LED	CRI90+	2700K/3000K	8,4W	700mA	446lm
⑧	LED	CRI90+	2700K/3000K	8,4W	700mA	419lm

REMARKS
Gear excluded.
◆ IP40

kreon rei is a lighting system that reflects it's historical reference "kreon side".

It's the continuous evolution of LED technology that has opened an attempt to an analytical breakdown, an operation of visual reduction and optimised output and glare control. It's the pre-eminence of the object, the graphic tension with respect to the perfection of the lighting system that creates a product with high visual silence.

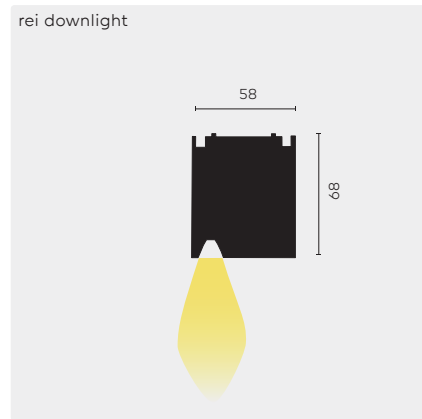
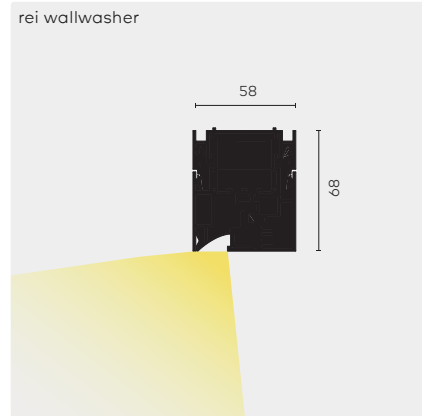
A graphical layout empasized by the reduced thickness of the element and the weight of the materials. kreon rei treats the illuminated surface to a smooth, homogenous silent glow of light that enhances the structure and spatial importance of the surface itself.





[↑ back to overview page profile systems](#)

rei profile
436



kreon rei profile



	Colour	KR-code	Light sources	9027 2700K, CRI90+	9030 3000K, CRI90+	SW Switchable ON/OFF ③	VD 1-10V dimming ③	DD DALI dimming ③	Required accessories
	○	KR983251	①	●	●	●	●	●	
	●	KR983252	①	●	●	●	●	●	
	○	KR983241	①	●	●	●	●	●	■
	●	KR983242	①	●	●	●	●	●	■
	○	KR993251	②	●	●	●	●	●	
	●	KR993252	②	●	●	●	●	●	
	○	KR993241	②	●	●	●	●	●	■
	●	KR993242	②	●	●	●	●	●	■
■ Required accessories									
		KR783040	Trimless plasterkit Ⓞ LxW Lx75 D 88						
Plasterkit for recessed mounting		KR783240	Trimless plasterkit (gen. 2) Ⓞ LxW Lx80 D 85						

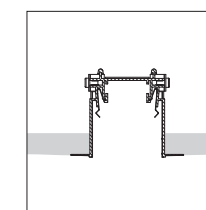
	CRI	CCT	Voltage	Wattage	Fixture lumen	
①	LED	CRI90+	2700K/3000K	230V	25,7W/m	644lm/m
②	LED	CRI90+	2700K/3000K	230V	25,7W/m	713lm/m

REMARKS

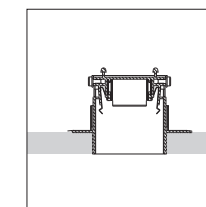
- ① Maximum shipping length of a single run profile is 3828mm. Shipping length depends on transport possibilities.
- ② Phase dimmable. Only for 3~Eutrack 230V profile. For track accessories see page 530.
- ③ Minimum profile length driver incl:
SW: min. 702mm
VD or DD: min. 974mm.
Minimum profile length driver excl: 294mm.

Gear included.
IP40

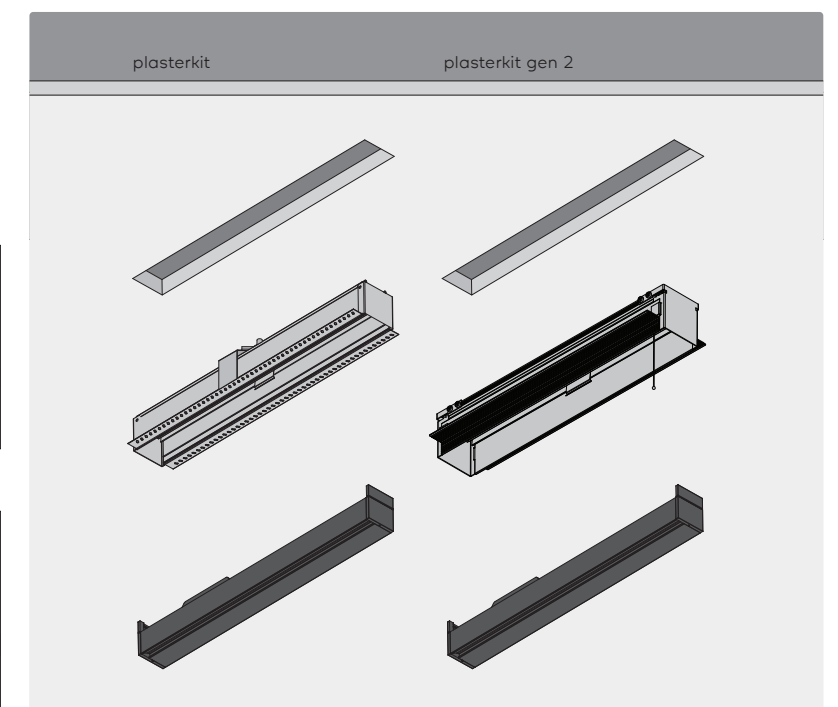
Plasterkit



Plasterkit gen. 2



rei profile



kreon table & desk lights

esprit	440
oran	444

[↑ back to table of content](#)

kreon esprit

kreon esprit comes in three different types: free-standing, ceiling mounted or suspended with single, double and in the suspended version up to 4 lamp heads. The kreon esprit adjustable slim-lined spotlights are available in black or white, in 2700K and 3000K LED for CRI90+. The luminaire heads can be rotated by 355° and placed in any random angle from 0° to 90°.

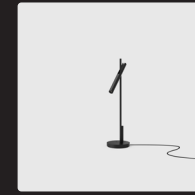
kreon esprit ceiling is a ceiling mounted spotlight that can be installed using the kreon down 80 trimless plasterkit.

kreon esprit floor is a free-standing luminaire that can be equipped with either a square base in white Carrara marble or natural blue steel or with a round base. A new feature for the kreon esprit floor is a push dim button on top of the vertical bar, which makes the device even easier to operate. The luminaire is optionally available with Casambi Bluetooth remote dimming and switching function.

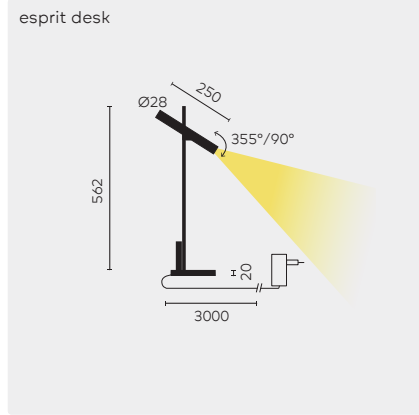
kreon esprit pendant are 3 or 4 individual lampheads mounted on a slender horizontal bar with steel tension cable suspension for maximum flexibility. It can be installed as an individual element or in a cluster of two or more.

[↑ back to overview page table & desk lights](#)

esprit desk
442



kreon esprit desk



esprit desk
Gear: incl.

Colour	KR-code	Light sources	9027 2700K, CRI90+	9030 3000K, CRI90+	MDL Wide darklight (33°)	P1 White painted lamphead	P2 Black painted lamphead	A4 Brushed bronze lamphead	A7 Brushed silver lamphead	AB Brushed gold lamphead	A9 Gun black lamphead
○	<u>KR963911</u>	①	●	●	●	●		●	●	●	●
●	<u>KR963912</u>	①	●	●	●		●	●	●	●	●

	CRI	CCT	Voltage	Wattage	Fixture lumen
① darklight	CRI90+	2700K	230V	8,4W	368lm

REMARKS
Supplied with 2,5m black braided sleeved powercable, available with red braided sleeve on request.

IP40

In 2018 kreon launched its first ornamental line with kreon oran craft. For the design of kreon oran craft our designers chose to switch gears. Without losing sight of the basic principles of 'unity in design, simplicity in techniques, and precision in detail'.

kreon oran pendant craft is a range of pendant luminaires with moth-blown glass bulbs. The bulbs come in 2 sizes: a sphere bulb and a long bulb.

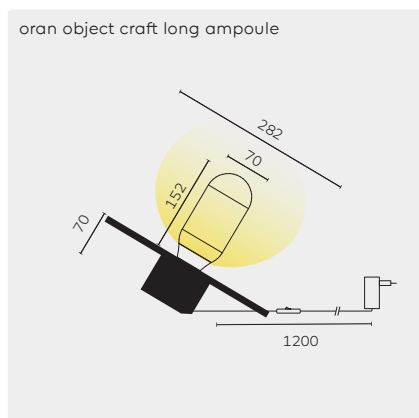
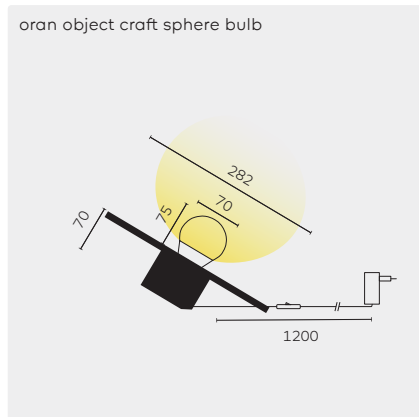
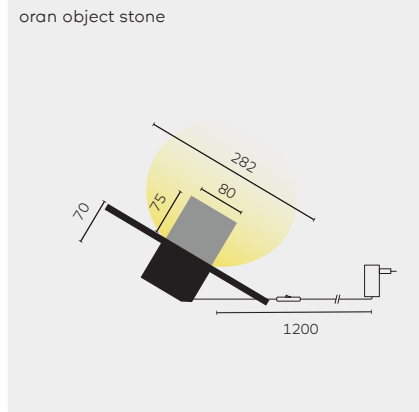
kreon oran craft consists of pendant, ceiling/wall luminaires and a table light. The luminaires are available in black and white, or in pure materials such as bronze. The mouth-blown bulbs come in two shapes, spherical or long-shaped. The pendant is optionally covered by a lampshade.

[↑ back to overview page table & desk lights](#)

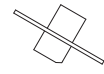
oran object 446



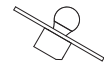
kreon oran object stone - craft



oran object stone ① ②



oran object craft



Colour	KR-code	Light sources	9027 2700K, CRI90+	9030 3000K, CRI90+	S Sphere bulb	L Long ampoule	P1 White shade bottom	P2 Black shade bottom	A3 Grey shade bottom	A4 Bronze shade bottom
○	KR991031	①	●	●			●			
●	KR991032	①	●	●				●	●	●
○	KR991341	②	●	●	●	●	●			
●	KR991342	②	●	●	●	●		●	●	●

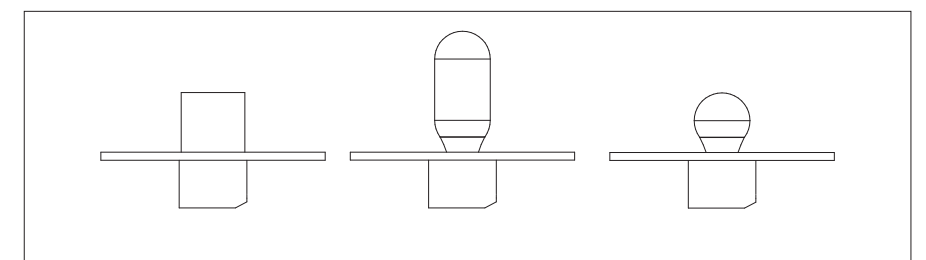
REMARKS

- ① Protect the alabaster block against direct sunlight and temperatures above 50°C.
- ② Lumen output may vary due to the use of natural products.

The base is supplied with a europlug. The length of the power cord is 1,2 m.

The stated dimensions of the glass and alabaster are only to be used as a reference. Actual dimensions may vary. Each unit is unique due to the artisanal production technique.

Gear included.
◆ IP40



	CRI	CCT	Voltage	Wattage	Fixture lumen
① LED	CRI90+	2700K/3000K	230V	6,7W	194lm
② LED	CRI90+	2700K/3000K	230V	6,7W	297lm

kreon outdoor lighting

raga	450
rokko	454
up	458
up in-line	468
wabi	474

[↑ back to table of content](#)

kreon raga

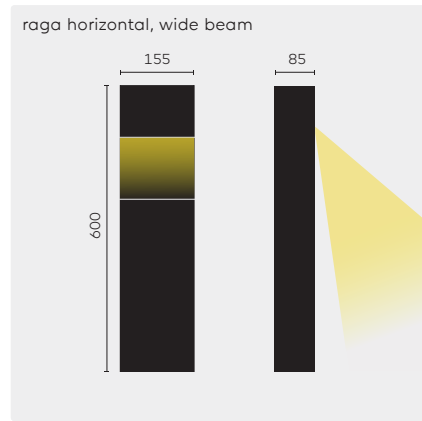
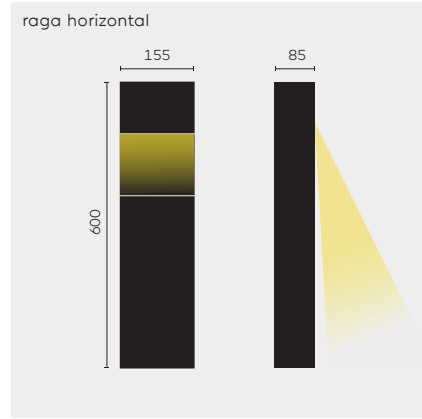
kreon raga is a geometrically shaped exterior bollard luminaire complemented by white and black marble or steel that reflect its mass.

These luminaires are meticulously sealed to meet the IP66 standard, providing robust protection against the elements. Equipped with linear LEDs, they emit an appealing ambient glow, adding to the overall visual appeal of the surroundings. To ensure a secure installation on various terrains, additional ground pins and concrete anchors are included. kreon raga is fortified with sealants and weatherproof coatings, safeguarding it against corrosive factors such as acid rain and salt exposure. This ensures the longevity and durability of the luminaire even in challenging environmental conditions.

[↑ back to overview page outdoor lighting](#)

raga horizontal
452





raga horizontal

raga horizontal wide beam

Optional accessories

Anchor

Colour ①	KR-code	Light sources	8027 2700K, CRI80+	9027 2700K, CRI90+	9030 3000K, CRI90+	HGB High gloss black frame finishing	SST Brushed stainless steel frame finishing	Optional accessories
----------	---------	---------------	-----------------------	-----------------------	-----------------------	---	--	----------------------

○	KR904005	①	●			●	●	■
---	----------	---	---	--	--	---	---	---

○	KR904006	②	●			●	●	■
---	----------	---	---	--	--	---	---	---

●	KR904102	③		●	●	●	●	■
---	----------	---	--	---	---	---	---	---

KR704000 Concrete anchor

KR704004 Flooring anchor

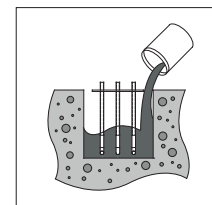
		CRI	CCT	Voltage	Wattage	Fixture lumen
①	LED	CRI80+	2700K	230V	12W	685lm
②	LED	CRI80+	2700K	230V	12W	540lm
③	LED	CRI90+	2700K/3000K	230V	12W	449lm

NOTAS

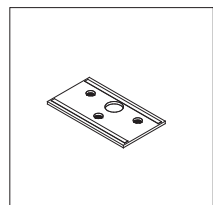
- ① ● Metallo nero
- Carrara bianco marble
- Nero marquina marble

Gear included (ON/OFF).
IP66

Concrete anchor



Flooring anchor



kreon rokko

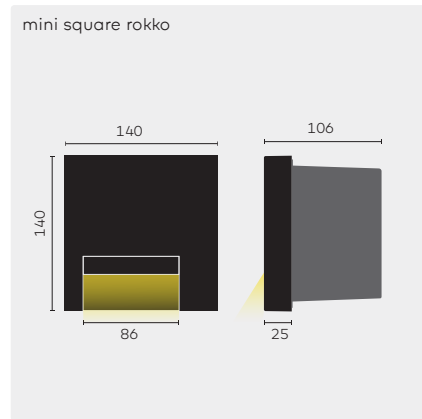
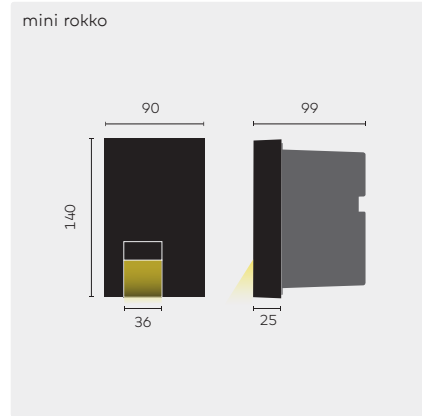
kreon rokko is a black or white semi-recessed IP65 luminaire that produces a soft gradient light and is ideal for pathway and orientation lighting.

Whether used indoors or outdoors kreon rokko can create a formal continuity in architecture from the interior to the exterior of high end residential or hospitality projects. kreon mini rokko and kreon mini square rokko can be installed in brickwork or cavity walls and require a minimum depth.

[↑ back to overview page outdoor lighting](#)

mini rokko
456





■ **Optional accessories**

Installation set

Concrete pouring mould

Driver

Colour
KR-code
Light sources
Optional accessories

○	KR943021-B	①	■
●	KR943022-B	①	■
○	KR943121-B	②	■
●	KR943122-B	②	■
○	KR943321-B	③	■
●	KR943322-B	③	■

KR743002 Plasterboard installation set

KR743004 Concrete pouring mould for mini rokko

KR743304 Concrete pouring mould for mini square rokko

KR772034 LED driver, 700mA, ON/OFF, 20W

KR772232 LED driver, 700mA, 1-10V, 20W

KR752633 LED driver, 700mA, DALI, 10W

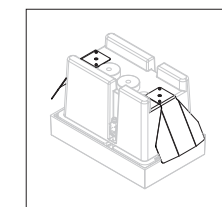
	CRI	CCT	Voltage	Wattage	Drive current	Fixture lumen
① LED	CRI80+	2700K		2,3W	700mA	84lm
② LED	CRI80+	2700K	230V	2,3W		84lm
③ LED	CRI80+	2700K	230V	6,9W		169lm

REMARKS

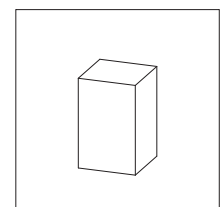
① 1 driver (6W) can power up to 2 fittings.

IP65

Installation set



Concrete pouring mould



kreon up

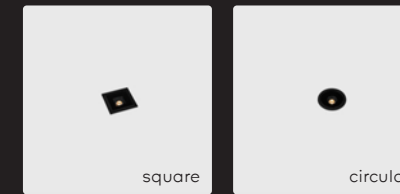
kreon up represents a collection of recessed floor luminaires with an IP67 rating, known for their simplistic design and outstanding optical performance. Available in square and circular shapes, the range offers three different sizes.

These luminaires feature a black or white backed toughened glass finish, accentuated by a satin stainless steel trim. LED modules are deep-set within the luminaires and are controlled using various options: anti-glare louvres for precise uplighting, brightness limiting diffusers for ambient or orientation lighting, and wallwash optics for vertical luminance. Additionally, the kreon up 40 variant is available as a surface mounted fixed downlight.

One of the notable advantages of kreon up is its stainless steel trim, which seamlessly integrates with the surroundings, creating a seamless connection. The units are fully sealed to meet the IP67 standard, offering robust protection against harsh environmental conditions. They are constructed with a combination of aluminum and plastic housing to ensure durability. Moreover, the maritime versions undergo special pre-treatment to maximize resistance against corrosion in salty environments.

[↑ back to overview page outdoor lighting](#)

up 40
460



square

circular

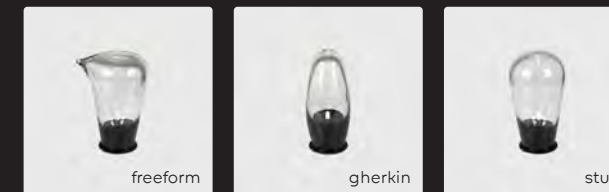
up 80
462



square

circular

up 80 glass series
464

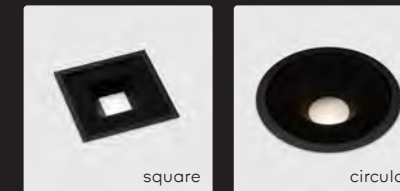


freeform

gherkin

stub

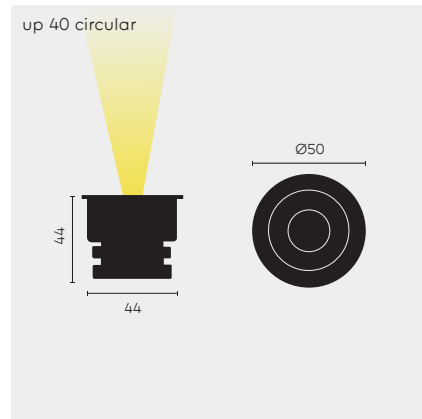
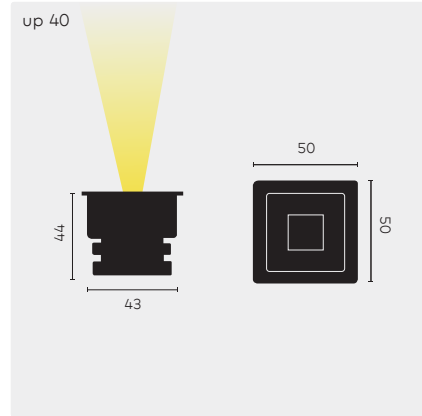
up 165
466



square

circular

kreon up 40



up 40



up 40 circular

■ Optional accessories

Driver ①

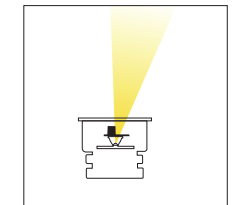
Colour	KR-code	Light sources	9027 2700K, CRI90+	9030 2700K, CRI90+	SP Spot	FL Flood	SB Spot with baffle	FB Flood with baffle	Optional accessories
○	KR952111	①	●	●	●	●	●	●	■
●	KR952112	①	●	●	●	●	●	●	■
○	KR952611	①	●	●	●	●	●	●	■
●	KR952612	①	●	●	●	●	●	●	■
			KR772630 LED driver, 700mA, ON/OFF, 30W (IP68)						
			KR772850 LED driver, 700mA, ON/OFF, 7.5W (IP67) ③						
			KR772752 LED driver, 700mA, 1-10V, 12W (IP67) ②						
			KR772853 LED driver, 700mA, DALI, 30W (IP68)						

	CRI	CCT	Wattage	Drive current	Fixture lumen
① LED	CRI90+	2700K/3000K	2W	700mA	149lm

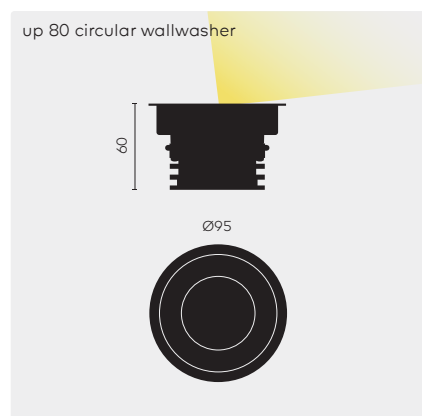
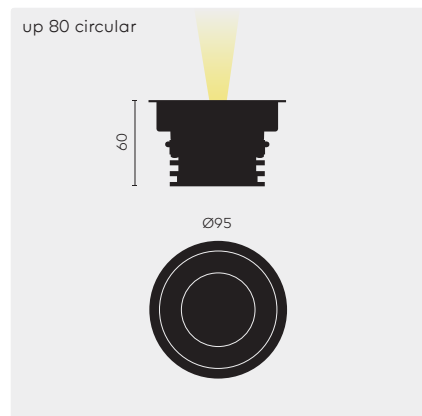
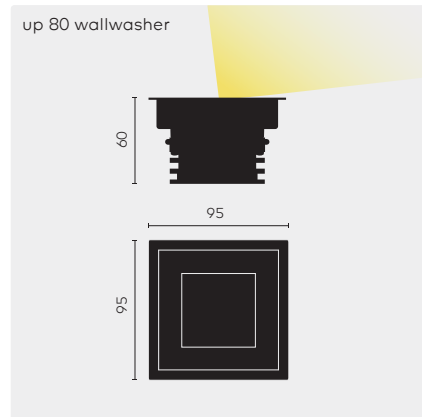
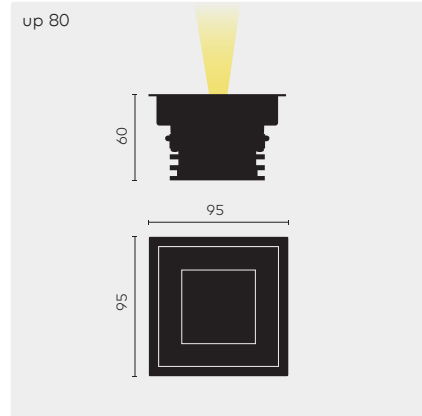
REMARKS
 ① Must be placed on remote.
 ② Driver can only be used for at least 4 fixtures.
 ③ Available until stock runs out.

Thickness boardmaterial:
 9-18mm
 Gear excluded
 ♦ IP67 - IK06

Baffle option



kreon up 80



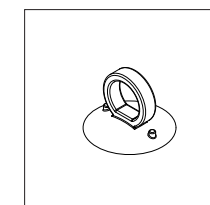
	Colour	KR-code	Light sources	9027 2700K, CRI90+	9030 3000K, CRI90+	SP spot (21°)	FL flood (29°)	WFL wide flood (38°)	DF diffused (87°)	WW wallwasher	Optional accessories
up 80	○	KR952131	①	●	●	●	●	●	●	●	■
	●	KR952132	①	●	●	●	●	●	●	●	■
up 80 circular	○	KR952631	①	●	●	●	●	●	●	●	■
	●	KR952632	①	●	●	●	●	●	●	●	■
Optional accessories											
Matchbox		KR752303		Matchbox up 80							
		KR752803		Matchbox up 80 circular							
Driver ①		KR772630		LED driver, 700 mA, ON/OFF, 30W (IP68)							
		KR772752		LED driver, 700 mA, 1-10V, 12W (IP67)							
		KR772753		LED driver, 700 mA, DALI, 35W (IP68)							
Removal tool		KR752110		Suction cup							

		CRI	CCT	Wattage	Drive current	Fixture lumen
① LED	FL	CRI90+	2700K/3000K	8,4W	700mA	341lm
	DF	CRI90+	2700K/3000K	8,4W	700mA	111lm
	WW	CRI90+	2700K/3000K	4W	700mA	263lm

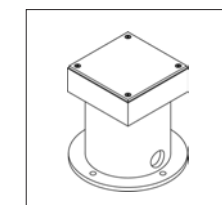
REMARKS
① Must be placed on remote.

Gear excluded
◆ IP67 - IK09

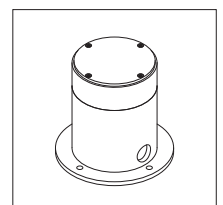
Suction cup



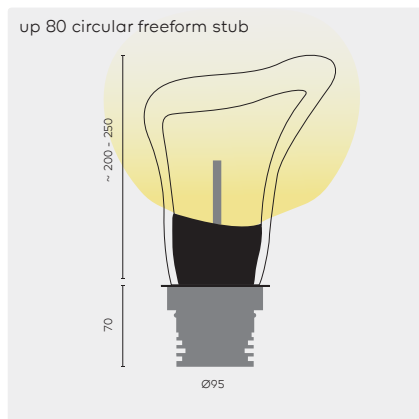
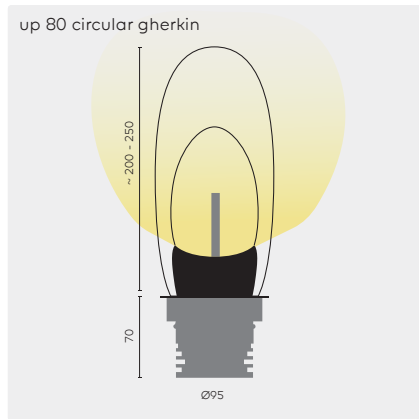
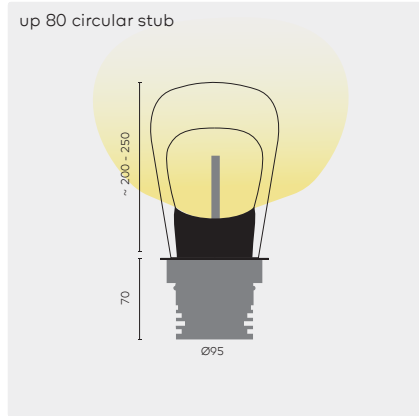
Matchbox up 80






Matchbox up 80 circular



kreon up 80 glass series



	Colour	KR-code	Light sources	9027 2700K, CRI90+	Optional accessories
 up 80 circular stub	●	KR952702	①	●	■
 up 80 circular gherkin	●	KR952712	①	●	■
 up 80 circular freeform stub	●	KR952722	①	●	■
■ Optional accessories					
Matchbox		KR752803	Matchbox up 80 circular		
Driver ①		KR772630	LED driver, 700 mA, ON/OFF, 30W (IP68)		
		KR772752	LED driver, 700mA, 1-10V, 12W (IP67)		
		KR772753	LED driver, 700 mA, DALI, 35W (IP68)		
Installation tube		KR752700	Installation tube for in-sand installations		

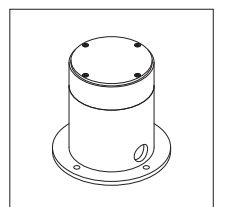
	CRI	CCT	Wattage	Drive current	Fixture lumen
① LED	CRI90+	2700K	8,4W	700mA	152lm

REMARKS

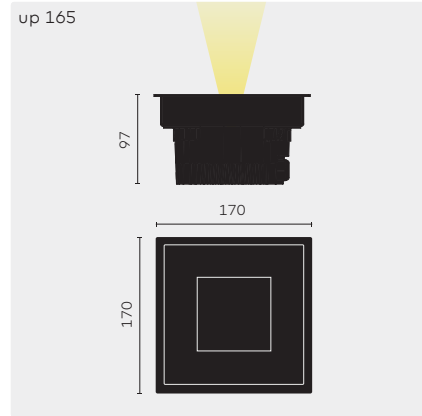
① Must be placed on remote.

The stated dimensions are only to be used as a reference. Actual dimensions may vary. Each unit is unique due to the artisanal production technique. Gear excluded
 ◆ IP67

Matchbox up 80 circular



kreon up 165

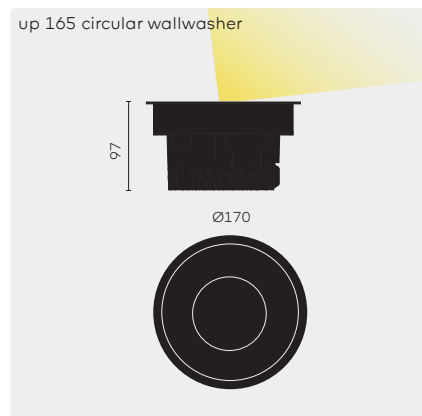
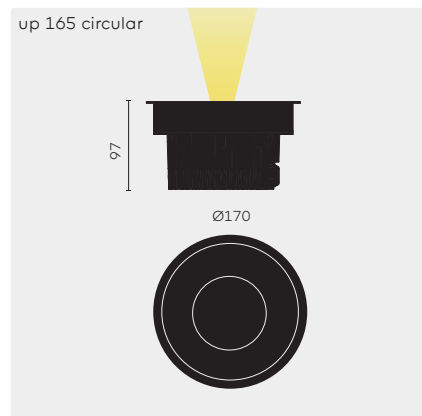
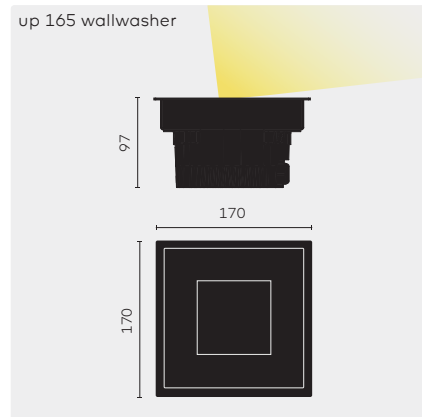


up 165
anti-glare louvre incl.

up 165 wallwasher

up 165 circular
anti-glare louvre incl.

up 165 circular wallwasher



■ **Optional accessories**

Matchbox

KR782104 Matchbox for up (in-line) 165 square

KR782604 Matchbox for up (in-line) 165 circular

Coupling sleeve

KR782105 Coupling sleeve

Driver

KR772630 LED driver, 700 mA, ON/OFF, 30W (IP68)

KR772852 LED driver, 700 mA, 1-10V, 30W (IP67)

KR772853 LED driver, 700 mA, DALI, 30W (IP68)

	CRI	CCT	Wattage	Drive current	Fixture lumen
① LED	CRI83+	2700K/3000K/4000K	15,2W	700mA	824lm
	CRI90+	2700K/3000K/4000K	17,1W	700mA	824lm
	CRI98+	2700K/3000K/4000K	12,9W	700mA	544lm
② LED	CRI83+	2700K/3000K/4000K	15,2W	700mA	1169lm
	CRI90+	2700K/3000K/4000K	17,1W	700mA	1099lm
	CRI98+	2700K/3000K/4000K	12,9W	700mA	544lm

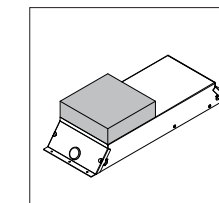
REMARKS

① Suitable for coastal regions, pools and saunas. In these cases bathroom rules need to be applied.

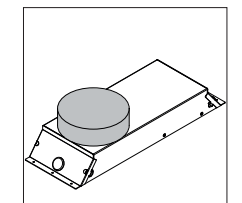
Gear excluded
IP67 - IK10

Colour	KR-code	Light sources	8327 2700K, CR83+	8330 3000K, CR83+	8340 4000K, CR83+	9027 2700K, CR90+	9030 3000K, CR90+	9040 4000K, CR90+	9827 2700K, CR98+	9830 3000K, CR98+	9840 4000K, CR98+	C5 Maritime ①	Optional accessories
○	KR982121	①	●	●	●	●	●	●	●	●	●	●	■
●	KR982122	①	●	●	●	●	●	●	●	●	●	●	■
○	KR982181	②	●	●	●	●	●	●	●	●	●	●	■
●	KR982182	②	●	●	●	●	●	●	●	●	●	●	■
○	KR982621	①	●	●	●	●	●	●	●	●	●	●	■
●	KR982622	①	●	●	●	●	●	●	●	●	●	●	■
○	KR982681	②	●	●	●	●	●	●	●	●	●	●	■
●	KR982682	②	●	●	●	●	●	●	●	●	●	●	■

Matchbox up 165



Matchbox up 165 circular



kreon up in-line

kreon up in-line is a range of floor recessed up lighters characterised by its minimal appearance and optical functionality. The range offered in two sizes in both square and circular forms, is finished with black or white backed toughened glass. LED modules are deep-set within the luminaires and are controlled by a choice of anti-glare louvre for precise uplighting; brightness limiting diffuser for ambient or orientation lighting; and wall wash optic for vertical illuminance.

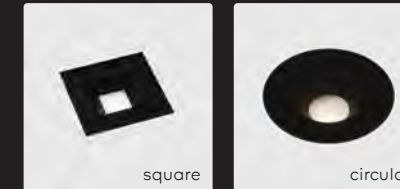
kreon up in-line benefits from a stainless concrete pour trim that provides a seamless juncture to minimise integration. The units are sealed to IP67 and have a die cast aluminium and stainless steel housing to provide protection from the harshest environments.

[↑ back to overview page outdoor lighting](#)

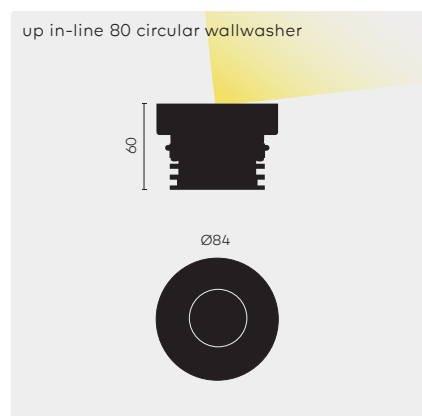
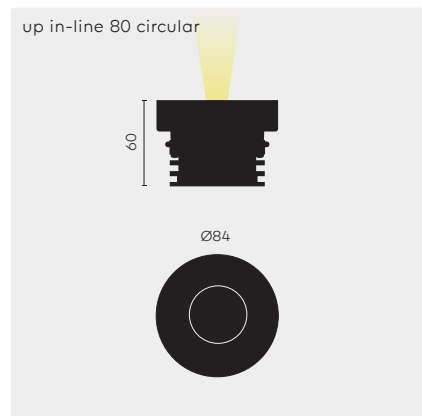
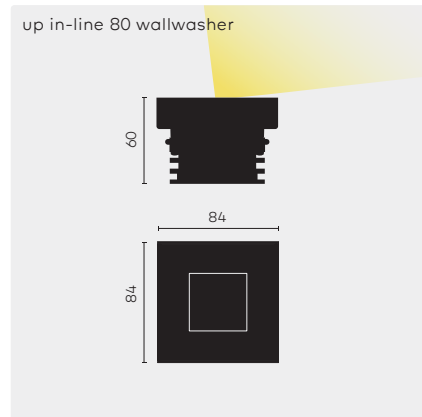
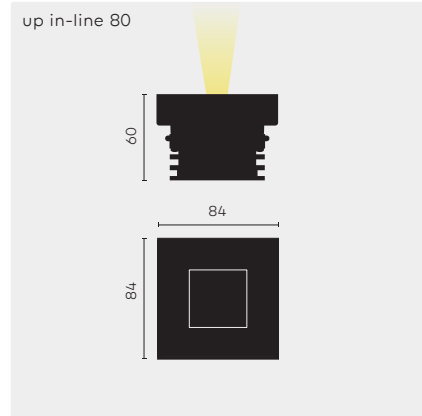
up in-line 80
470



up in-line 165
472



kreon up in-line 80



up in-line 80

up in-line 80 circular

Optional accessories

Matchbox

Driver ①

Removal tool

Colour
 KR-code
 Light sources
 9027 2700K, CRI90+
 9030 3000K, CRI90+
 SP spot (21°)
 FL flood (29°)
 WFL wide flood (38°)
 DF diffused (87°)
 WW wallwasher
 Optional accessories

○	KR952331	①	●	●	●	●	●	●	●	■
●	KR952332	①	●	●	●	●	●	●	●	■
○	KR952831	①	●	●	●	●	●	●	●	■
●	KR952832	①	●	●	●	●	●	●	●	■

KR752303 Matchbox for up in-line 80

KR752803 Matchbox for up in-line 80 circular

KR772630 LED driver, 700mA, ON/OFF, 30W (IP68)

KR772752 LED driver, 700mA, 1-10V, 12W (IP67)

KR772753 LED driver, 700mA, DALI, 35W (IP68)

KR752110 Suction cup

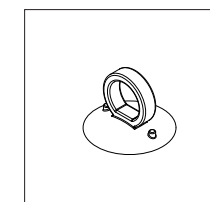
		CRI	CCT	Wattage	Drive current	Fixture lumen
① LED	FL	CRI90+	2700K/3000K	8,4W	700mA	341lm
	DF	CRI90+	2700K/3000K	8,4W	700mA	111lm
	WW	CRI90+	2700K/3000K	4W	700mA	263lm

REMARKS

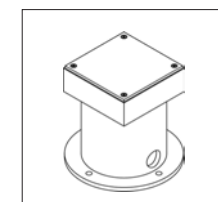
① Must be placed on remote

Thickness boardmaterial:
 6-35mm
 Gear excluded
 ♦ IP67 - IK09

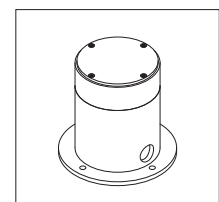
Suction cup



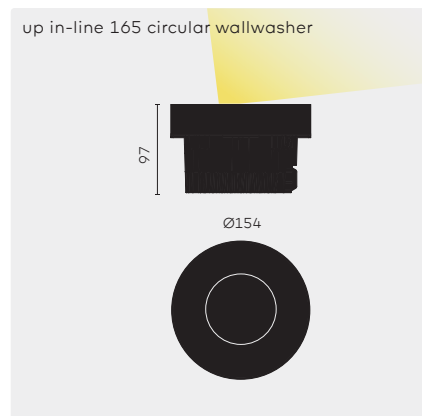
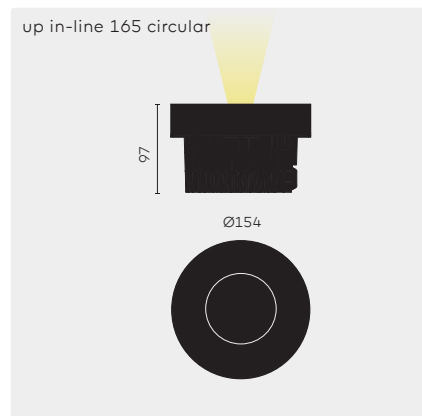
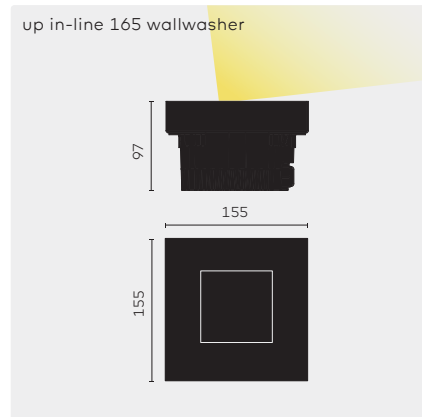
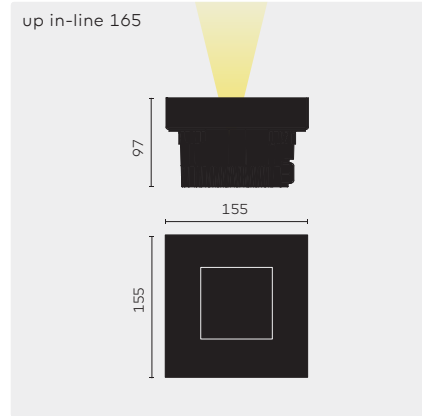
Matchbox up in-line 80



Matchbox up in-line 80 circular



kreon up in-line 165



up in-line 165
anti-glare louvre incl.

up in-line 165 wallwasher

up in-line 165 circular
anti-glare louvre incl.

up in-line 165 circular wallwasher

■ **Optional accessories**

Matchbox

KR782104 Matchbox for up (in-line) 165 square

KR782604 Matchbox for up (in-line) 165 circular

Coupling sleeve

KR782105 Coupling sleeve

Driver

KR772630 LED driver, 700mA, ON/OFF, 30W (IP68)

KR772852 LED driver, 700mA, 1-10V, 30W (IP67)

KR772853 LED driver, 700mA, DALI, 30W (IP68)

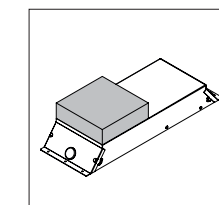
		CRI	CCT	Wattage	Drive current	Fixture lumen
①	LED	CRI83+	2700K/3000K/4000K	15,2W	700mA	824lm
		CRI90+	2700K/3000K/4000K	17,1W	700mA	824lm
		CRI98+	2700K/3000K/4000K	12,9W	700mA	544lm
②	LED	CRI83+	2700K/3000K/4000K	15,2W	700mA	1169lm
		CRI90+	2700K/3000K/4000K	17,1W	700mA	1099lm
		CRI98+	2700K/3000K/4000K	12,9W	700mA	544lm

REMARKS

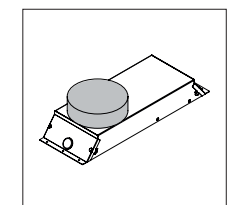
Thickness boardmaterial:
6-35mm
Gear excluded
IP67 - IK10

Colour	KR-code	Light sources	8327 2700K, CRI83+	8330 3000K, CRI83+	8340 4000K, CRI83+	9027 2700K, CRI90+	9030 3000K, CRI90+	9040 4000K, CRI90+	9827 2700K, CRI98+	9830 3000K, CRI98+	9840 4000K, CRI98+	C5 Maritime	Optional accessories
○	KR982321	①	●	●	●	●	●	●	●	●	●	●	■
●	KR982322	①	●	●	●	●	●	●	●	●	●	●	■
○	KR982381	②	●	●	●	●	●	●	●	●	●	●	■
●	KR982382	②	●	●	●	●	●	●	●	●	●	●	■
○	KR982821	①	●	●	●	●	●	●	●	●	●	●	■
●	KR982822	①	●	●	●	●	●	●	●	●	●	●	■
○	KR982881	②	●	●	●	●	●	●	●	●	●	●	■
●	KR982882	②	●	●	●	●	●	●	●	●	●	●	■

Matchbox up in-line 165



Matchbox up in-line 165 circular



kreon wabi

kreon wabi, elegantly designed outdoor luminaires that bring tranquility to any outdoor setting.

kreon wabi is a family of outdoor spotlights and bollard luminaires. The range consists of kreon wabi, a directional spotlight, kreon wabi bollard a bollard based outdoor spotlight, kreon wabi wall a shielded wall luminaire and brand new to the range, kreon wabi pillar, a residential pathway bollard.

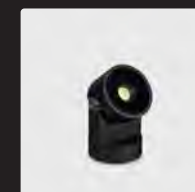
The name "wabi" is derived from the popular Japanese term wabi-sabi. Wabi connotes rustic simplicity, freshness or quietness, and can be applied to both natural and human-made objects, or understated elegance.

An important principle of a wabi-sabi lifestyle is minimalism. This trend is turning against the consumer society and prefers sparsely furnished spaces. A wabi sabi interior provides a feeling of peace and harmony.

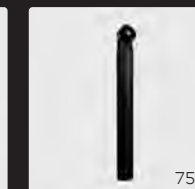
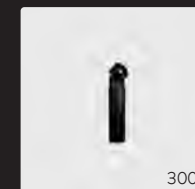
The kreon wabi family brings tranquility to outdoor spaces. The simple, elegantly designed kreon wabi lighting fixtures ensure a pleasant light distribution and blend perfectly with its environment, so that nature and architecture take center stage. As a result, kreon wabi luminaires provide peace of mind in outdoor settings.

[↑ back to overview page outdoor lighting](#)

wabi
476



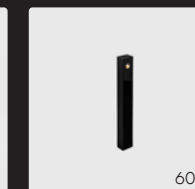
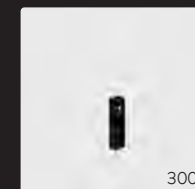
wabi bollard
476

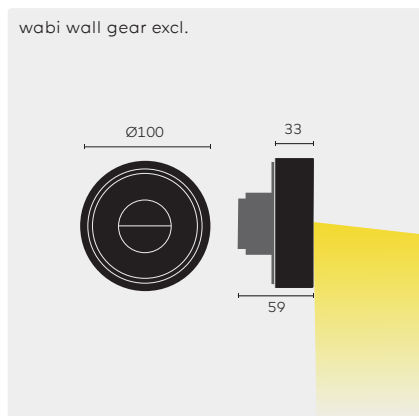
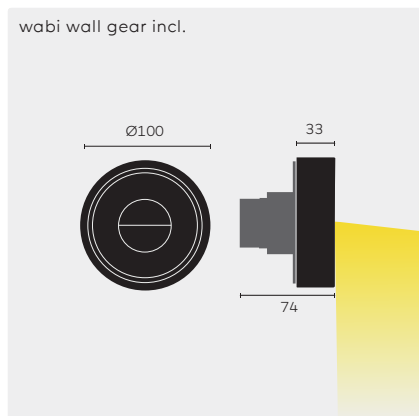
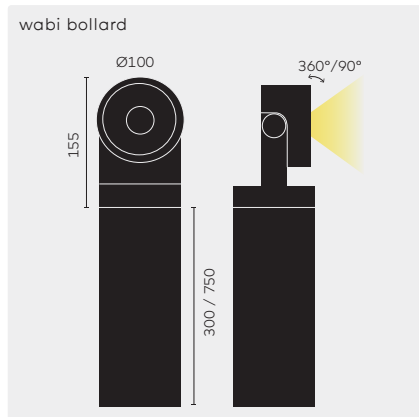
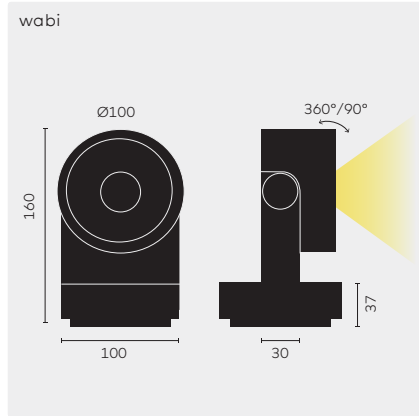


wabi wall
476



wabi pillar
478





	Colour	KR-code	Light sources	9027 2700K, CRI90+	9030 3000K, CRI90+	FL Flood (30°)	SW Switchable ON/OFF	Optional accessories
wabi Gear: ON/OFF incl.	●	KR943052	①	●	●	●		■
wabi Gear: excl.	●	KR943252	②	●	●	●		■
wabi bollard 300 Gear incl.	●	KR943552	③	●	●	●	●	■
wabi bollard 750 Gear incl.	●	KR943752	③	●	●	●	●	■
wabi wall Gear: ON/OFF incl.	●	KR943352	④	●	●			
wabi wall Gear: excl.	●	KR943152	⑤	●	●			■

■ Optional accessories

Glare preventor	KR743052	Glare preventor (straight black H50)
Optional installation (only for wabi bollard)	KR743750	Concrete anchor
	KR743850	Ground pin
Optional installation (only for wabi)	KR743950	Spacer
Driver	KR772630	LED driver, 700mA, ON/OFF, 30W (IP68)
	KR772752	LED driver, 700mA, 1-10V, 12W (IP67)
	KR772853	LED driver, 700mA, DALI, 30W (IP68)
	KR772840	LED driver, 1050mA, ON/OFF, 52W (IP68)
	KR772862	LED driver, 1050mA, 0/1-10V & DALI, 52W (IP67)
Wall box for wabi wall	KR727611	Concrete wall box
	KR727711	Hollow wall box
	KR727811	Brick wall box

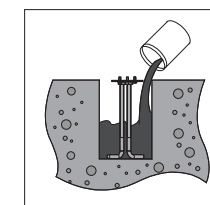
	CRI	CCT	Voltage	Wattage	Drive current	Fixture lumen
① LED	CRI90+	2700K/3000K	230V	4,1W	350mA	387lm
② LED	CRI90+	2700K/3000K		12W	1050mA	783lm
③ LED	CRI90+	2700K/3000K	230V	8,4W	700mA	645lm
④ LED	CRI90+	2700K/3000K	230V	4W		240lm
⑤ LED	CRI90+	2700K/3000K		4W	700mA	240lm

REMARKS

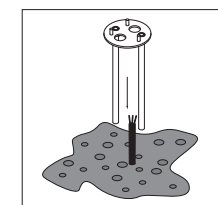
- Luminaire is supplied with parts for installation on concrete.
- For surface mounted cables.
- Driver can be used for max. 3 fixtures.

Rotation is lockable.
Check installation manual.
IP65

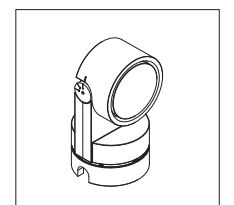
Concrete anchor

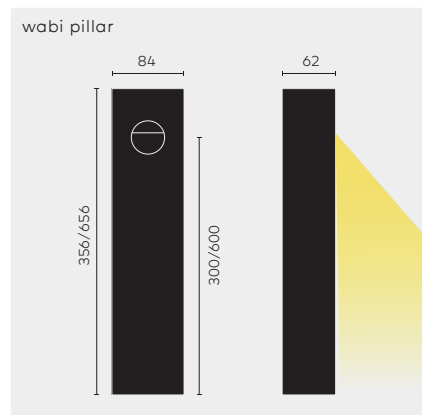


Ground pin



Spacer



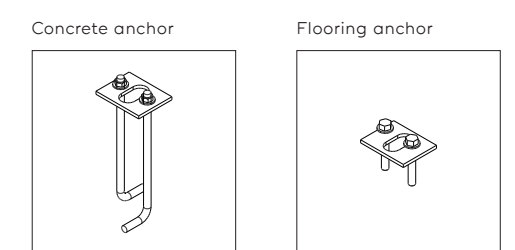


	Colour	KR-code	Light sources	9027 2700K, CRI90+	9030 3000K, CRI90+	EX Gear excluded	SW Switchable ON/OFF	Required accessories	Optional accessories
wabi pillar 300	●	KR943062	①	●	●	●	●	■	■
wabi pillar 600	●	KR943162	①	●	●	●	●	■	■
■ Required accessories									
Installation kit ①		KR743650	Installation kit						
■ Optional accessories									
Optional installation ②		KR743740	Concrete anchor						
		KR743840	Flooring anchor						
Driver		KR772630	LED driver, 700mA, ON/OFF, 30W (IP68)						
		KR772752	LED driver, 700mA, 1-10V, 12W (IP67)						
		KR772853	LED driver, 700mA, DALI, 30W (IP68)						

	CRI	CCT	Voltage	Wattage	Drive current	Fixture lumen
① LED	CRI90+	2700K/3000K	230V	4W	700mA	275lm

REMARKS
 ① One per installation
 ② Luminaire is supplied with parts for installation on concrete.

IP65



kreon track systems & projectors

48V track	482
3~230V track	528

[↑ back to table of content](#)

kreon 48V track surface, pendant, recessed

kreon 48V track profiles come in different installation variations suitable for any type of interior lay-out.

The surface mounted track profile is a convenient solution to install on surfaces. The pendant installation is assigned when the lighting needs to be lowered in situations with a high ceiling. The trimless recessed profile creates a minimal slot in the ceiling surface while the deeply recessed track profile emphasizes architectural lines in a space. kreon 48V track deep recessed 40 demonstrates how architecture can be defined by light and turns the ceiling into a flexible architectural playground.

The profile system is a magnetic low voltage system requiring 48Vdc input. Within the track profiles additional databus lines for DALI or 1-10V light control are built in. To control DALI track luminaires wireless, an optional Casambi enabled gateway can be added to the track for wireless bluetooth control. An optional surface mounted gearbox is a solution for on surface 230Vdc conversion in case the power converter can't be placed on remote.

[↑ back to overview page track systems & projectors](#)

48V track profile
492



diapason on-track
502



holon & prologe
on-track
508



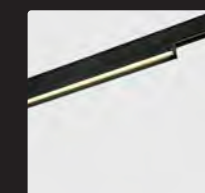
oran pendant
on-track
516



holon & prologe
downlight on-track
522



lini 10 on-track
526

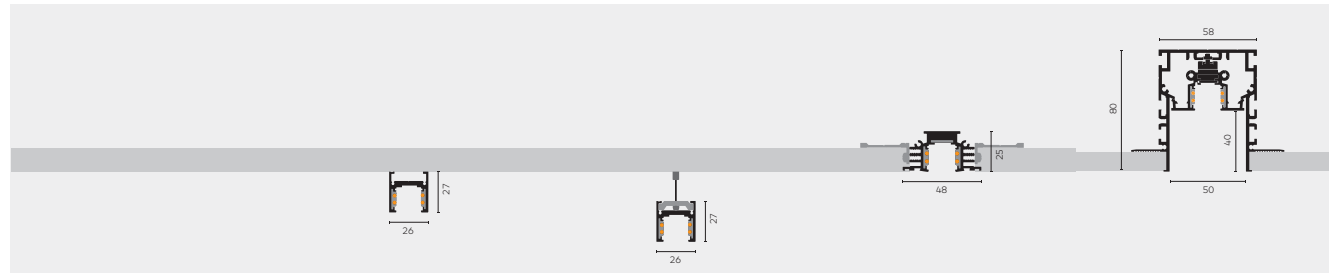


kreon 48V track overview

Project Private residence
Location London, UK

Architect Syte Architects
Photographer Olly Hammick

1 surface 2 pendant 3 recessed 4 deep recessed 40



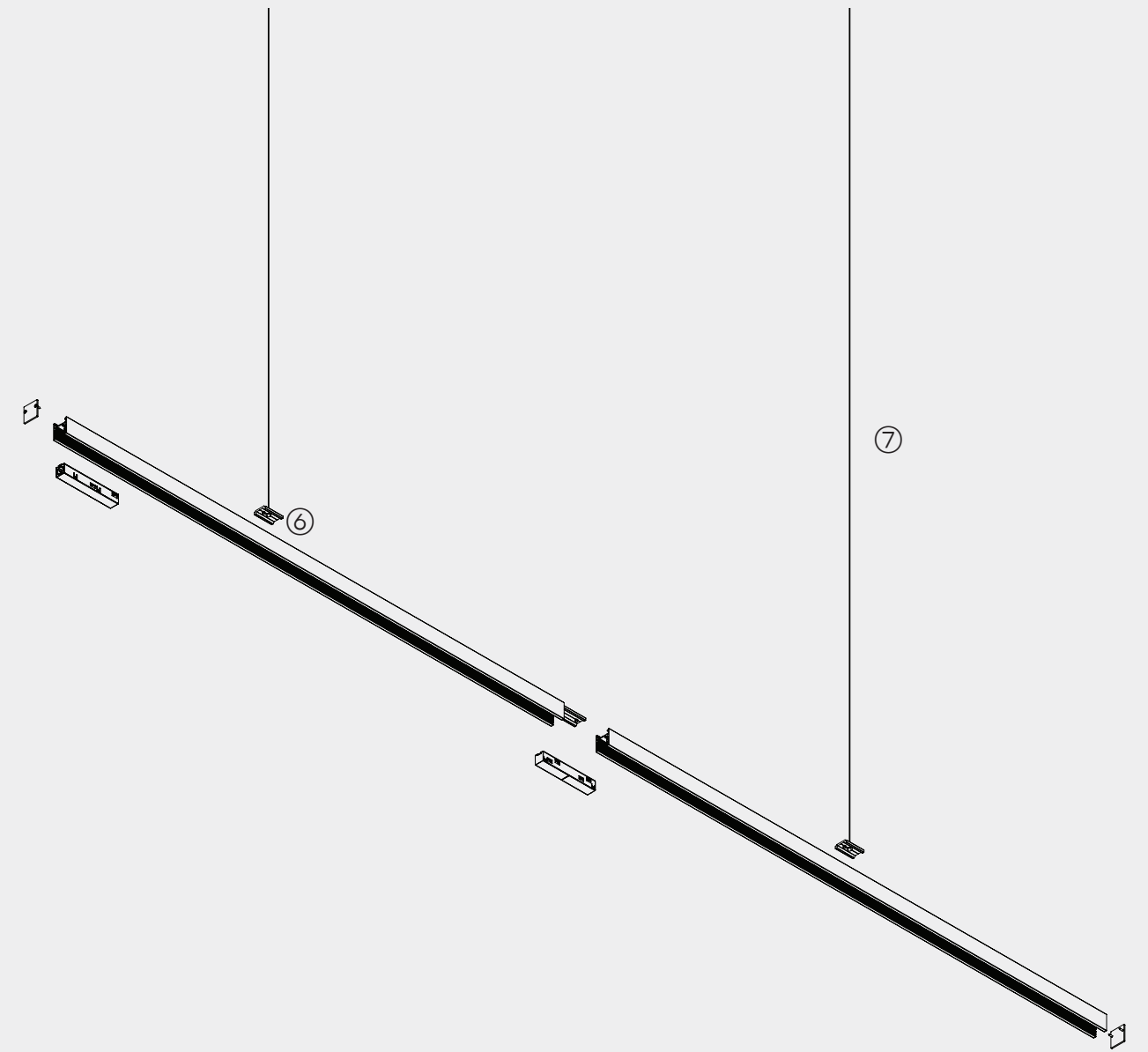
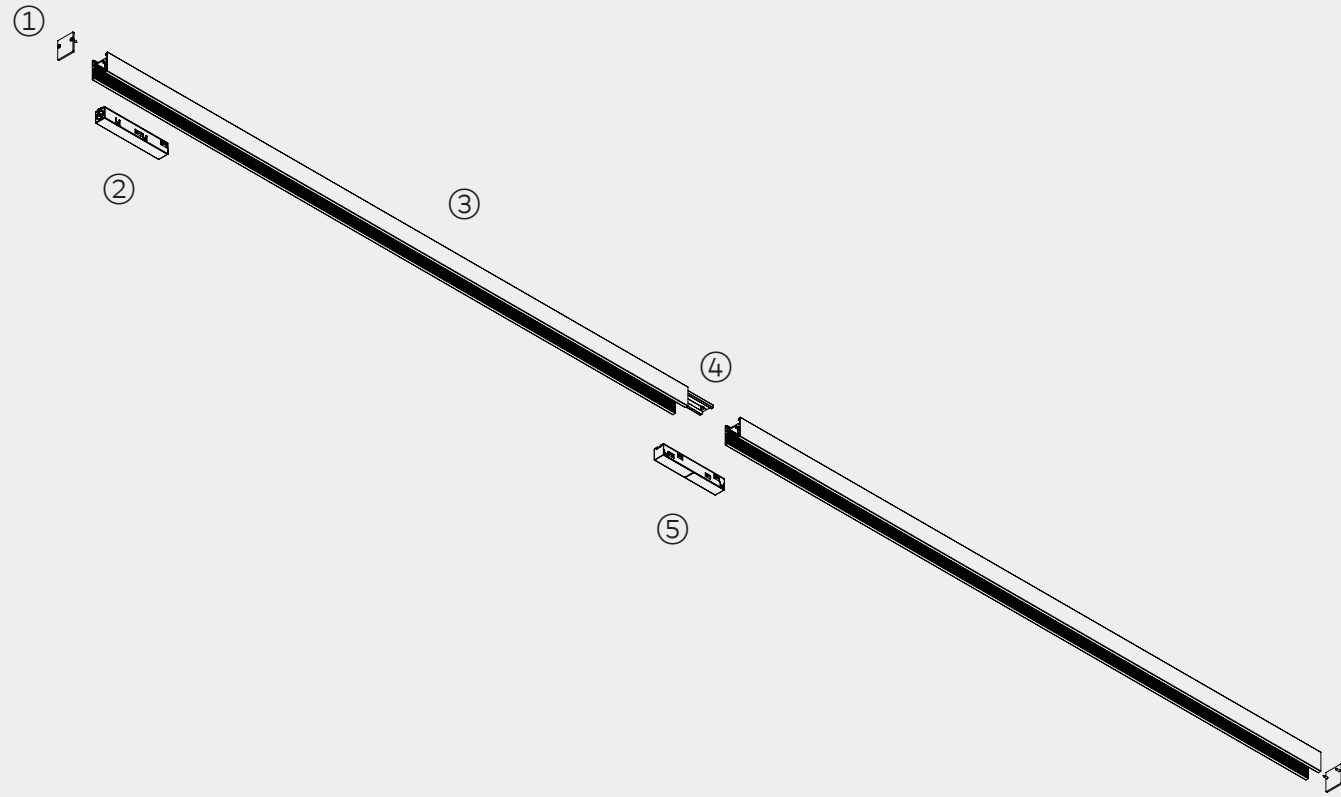
product series compatibility

kreon diapason				
40	•	•	•	•
80	•	•	•	•
120	•	•	•	•
kreon holon 20				
directional	•	•	•	•
kreon holon 40				
fixed single	•	•	•	•
fixed double	•	•	•	•
directional	•	•	•	•
pendant	•	•	•	•
kreon holon 60				
fixed single	•	•	•	•
directional	•	•	•	•
kreon lini 10				
line	•	•	•	•
kreon oran				
pendant craft	•	•	•	•
pendant glass	•	•	•	•
pendant stone	•	•	•	•
kreon prologe 40				
fixed single	•	•	•	•
fixed double	•	•	•	•
directional	•	•	•	•



kreon 48V track profiles

surface mounted and suspended

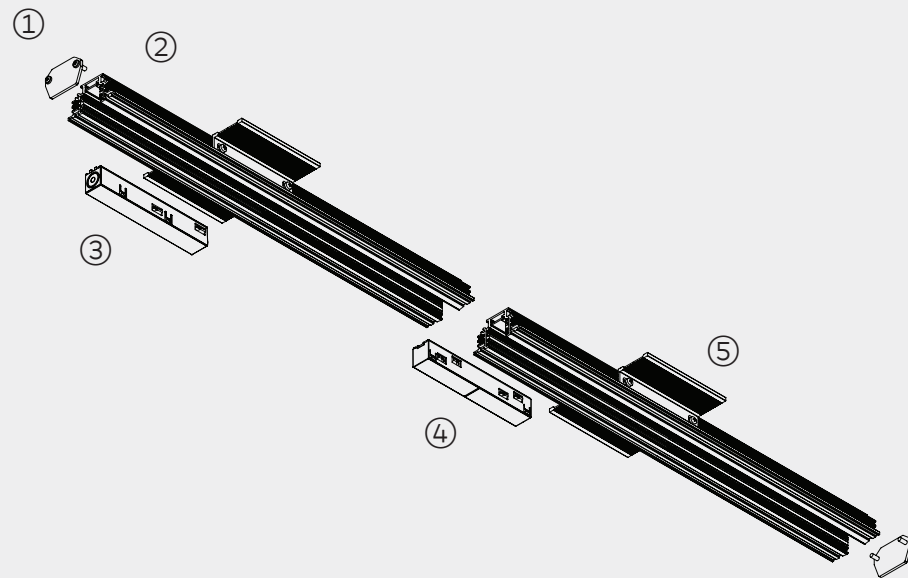


- ① End cap standard
- ② Feed
- ③ Standard low voltage track profile
- ④ Reinforcing bracket to connect two tracks mechanically
- ⑤ Straight connector
- ⑥ Pendant clip
- ⑦ Steel wire for suspended profile

kreon 48V track profiles recessed

Project Brasserie Julienne
Location Hoogstraten, Belgium

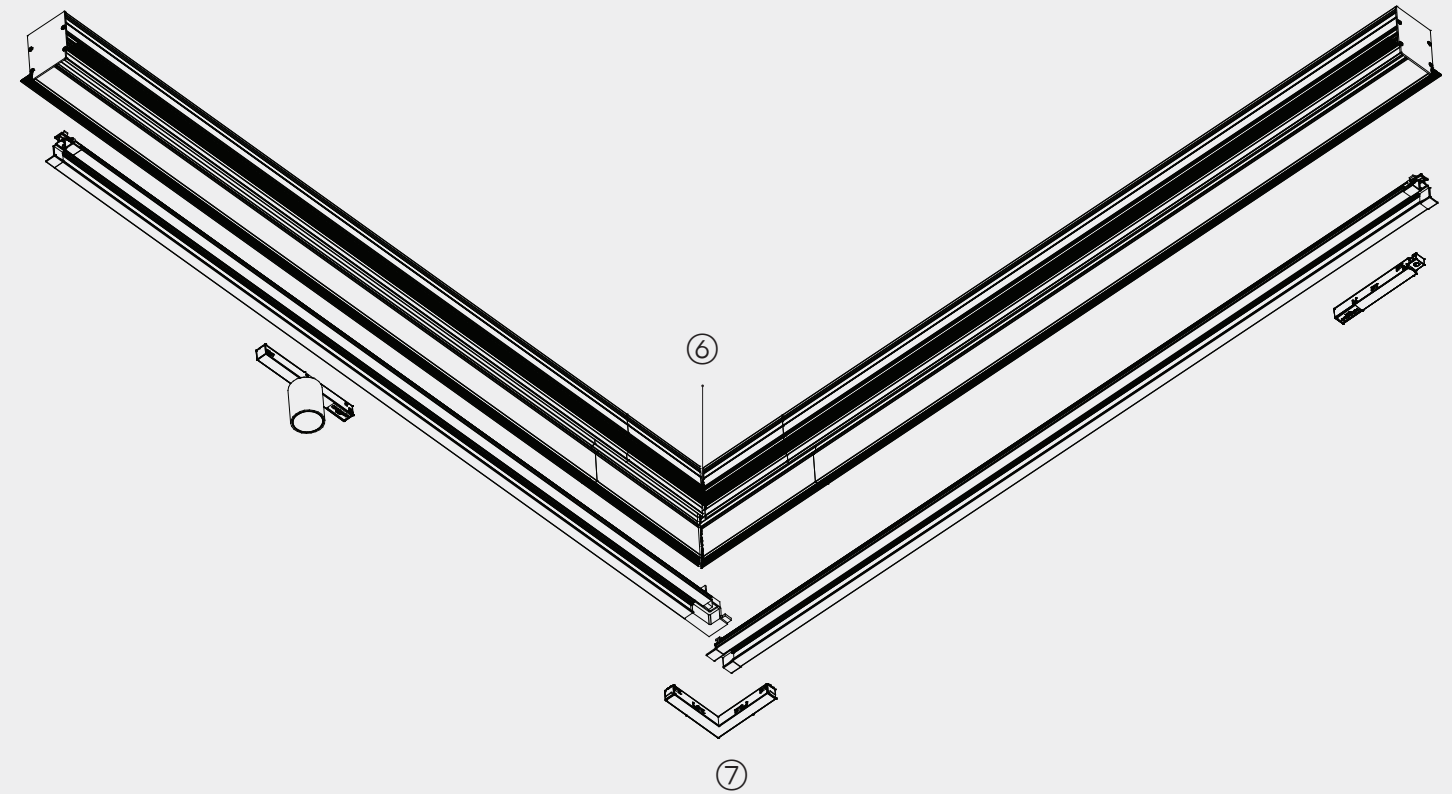
Architect Karin Janssens interiors
Photographer Arne Jennard



- ① End cap standard
- ② Recessed profile
- ③ Feed
- ④ Straight connector
- ⑤ Mounting bracket to mount the recessed profile



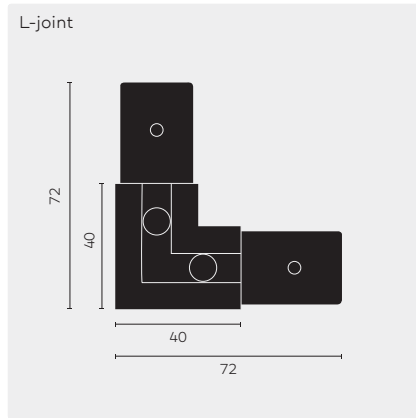
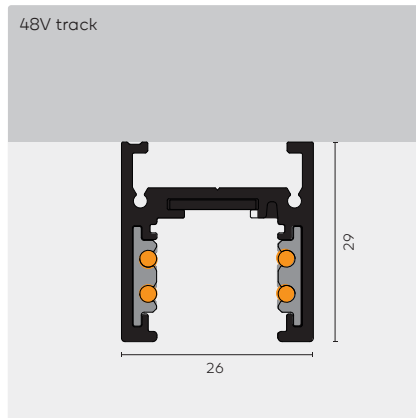
kreon 48V track profiles
deep recessed



- ① 48V track profile
- ② Downlight on-track
- ③ Straight connector
- ④ Feed connector
- ⑤ kreon deep recessed profile
- ⑥ Deep recessed corner cut
- ⑦ 48V track corner cut

kreon 48V track profiles

surface mounted and suspended



Standard low voltage track profile

Accessories

Power supply

Suspension components

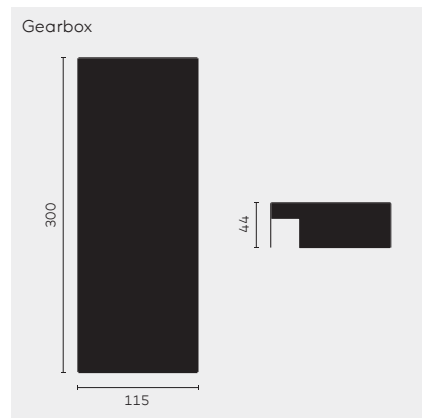
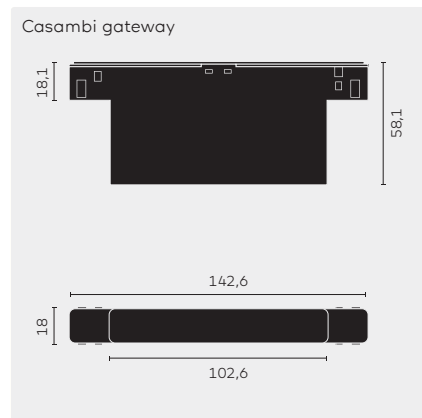
○	KR746091	1000mm, white
●	KR746092	1000mm, black
○	KR746191	2000mm, white
●	KR746192	2000mm, black
○	KR746291	3000mm, white
●	KR746292	3000mm, black
○	KR746041	Curved std. low voltage track, radius 500mm 90°, white
●	KR746042	Curved std. low voltage track, radius 500mm 90°, black
○	KR746401	End cap standard low voltage track, white
●	KR746402	End cap standard low voltage track, black
○	KR790971	Aesthetic track cover, stucchi track, white
●	KR790972	Aesthetic track cover, stucchi track, black
○	KR746511	Feed connector low voltage, white
●	KR746512	Feed connector low voltage, black
○	KR746531	Straight connector low voltage, white
●	KR746532	Straight connector low voltage, black
○	KR746611	L-connector low voltage, white
●	KR746612	L-connector low voltage, black
○	KR746701	Mechanical L-joint, white
●	KR746702	Mechanical L-joint, black
	KR746920	Cutting tool for track conductors
	KR790474	Power supply 48Vdc, 60W
	KR790475	Power supply 48Vdc, 100W
	KR790476	Power supply 48Vdc, 240W (IP67)
○	KR790771	In-track power supply 48Vdc, 100W, white
●	KR790772	In-track power supply 48Vdc, 100W, black
	KR746710	Suspension steel wire 1500mm
	KR746810	Suspension steel wire 2500mm
	KR746830	Pendant clip for suspension by steel wire, short
	KR746930	Pendant clip for suspension by steel wire, long – can be used as reinforcing bracket to connect two pieces of tracks

REMARKS

max. 48Vdc, rated current max.
15A, class III (SELV)
RAL colour of white profile:
RAL9016
RAL colour of black profile:
RAL9005

kreon 48V track profiles

surface mounted and suspended



Gearboxes endfeed ❶

[KR790173](#) Gearbox, endfeed, white 30W

[KR790174](#) Gearbox, endfeed, black 30W

[KR790175](#) Gearbox, endfeed, white 60W

[KR790176](#) Gearbox, endfeed, black 60W

[KR790177](#) Gearbox, endfeed, white 100W

[KR790178](#) Gearbox, endfeed, black 100W

Casambi gateway ❷

[KR762171](#) Casambi DALI gateway for 48vdc track, white

[KR762172](#) Casambi DALI gateway for 48vdc track, black

REMARKS

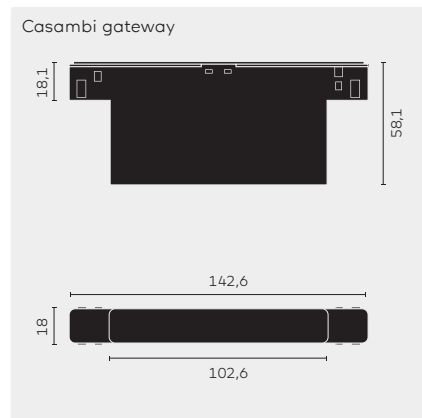
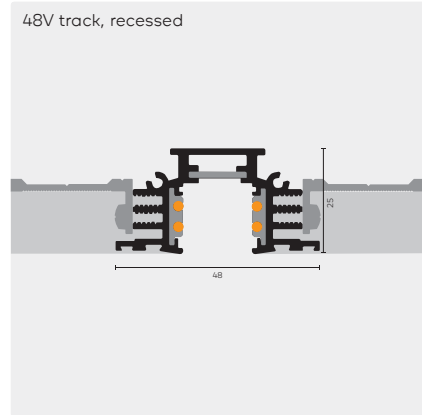
❶ Use gearbox only with surface mounted profile.

❷ Use Casambi DALI gateway only with DALI enabled 48V track luminaires max. 48Vdc, rated current max. 15A, class III (SELV)

RAL colour of white profile:
RAL9016
RAL colour of black profile:
RAL9005

kreon 48V track profiles

recessed



Recessed, trimless low voltage track profile

Accessories

Power supply

Casambi gateway ①

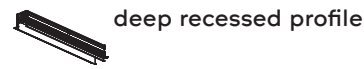
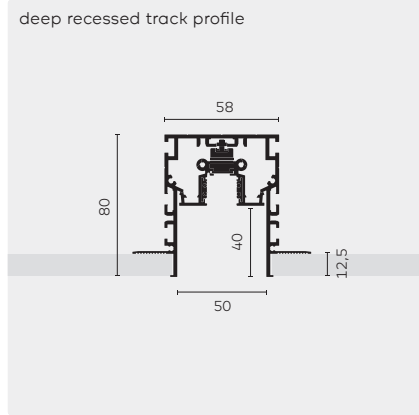
- **KR746390** Recessed profile, 1000mm, black
- **KR746490** Recessed profile, 2000mm, black
- **KR746491** Recessed profile, 2000mm, white
- **KR746590** Recessed profile, 3000mm, black
- **KR746591** Recessed profile, 3000mm, white
- **KR746601** End cap recessed low voltage track, white
- **KR746602** End cap recessed low voltage track, black
- **KR790971** Aesthetic track cover, stucchi track, white
- **KR790972** Aesthetic track cover, stucchi track, black
- **KR746511** Feed connector low voltage, white
- **KR746512** Feed connector low voltage, black
- **KR746531** Straight connector low voltage, white
- **KR746532** Straight connector low voltage, black
- **KR746611** L-connector low voltage, white
- **KR746612** L-connector low voltage, black
- KR746800** Reinforcing bracket to join two pieces of low voltage recessed track
- KR746900** Mounting bracket for recessed low voltage profile
- KR746920** Cutting tool for track conductors
- KR790474** Power supply 48Vdc, 60W
- KR790475** Power supply 48Vdc, 100W
- KR790476** Power supply 48Vdc, 240W (IP67)
- **KR790771** In-track power supply 48Vdc, 100W, white
- **KR790772** In-track power supply 48Vdc, 100W, black
- **KR762171** Casambi DALI gateway for 48vdc track, white
- **KR762172** Casambi DALI gateway for 48vdc track, black

REMARKS

① Use Casambi DALI gateway only with DALI enabled 48V track luminaires
 max. 48Vdc, rated current max. 15A, class III (SELV)
 Thickness boardmaterial: 12,5; 15 or 18 mm
 RAL colour of white profile: RAL9016
 RAL colour of black profile: RAL9005

kreon 48V track profiles

deep recessed



standard configurations ②

length is 2038mm

length is 3038mm

length is 4071mm

length is 5071mm

Colour

KR-code

Required accessories ①

Optional accessories ①



KR745201



KR745202



KR945601

deep recessed profile 2038mm, white



KR945602

deep recessed profile 2038mm, black



KR945701

deep recessed profile 3038mm, white



KR945702

deep recessed profile 3038mm, black



KR945801

deep recessed profile 4071mm, white



KR945802

deep recessed profile 4071mm, black



KR945901

deep recessed profile 5071mm, white



KR945902

deep recessed profile 5071mm, black



REMARKS

① Accessories on page 500-501

② Standard configurations are supplied with included 48Vdc track profile + feed connector

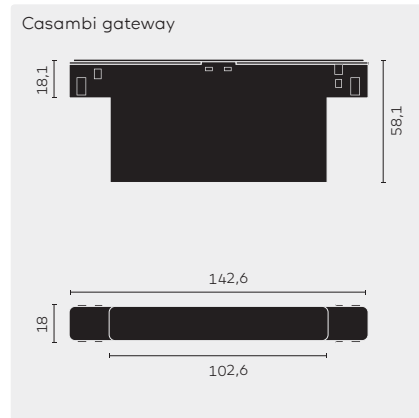
Min. depth: 80mm

thickness boardmaterial: 12,5mm

Length is made-to-measure, max. 6000mm

kreon 48V track profiles

deep recessed



■ Required accessories

48V track

- [KR745401](#) 48Vdc track for deep recessed installation, 1000mm, white
- [KR745402](#) 48Vdc track for deep recessed installation, 1000mm, black
- [KR745501](#) 48Vdc track for deep recessed installation, 2000mm, white
- [KR745502](#) 48Vdc track for deep recessed installation, 2000mm, black
- [KR745601](#) 48Vdc track for deep recessed installation, 3000mm, white
- [KR745602](#) 48Vdc track for deep recessed installation, 3000mm, black

Feed connector

- [KR746511](#) End feed connector, white
- [KR746512](#) End feed connector, black

■ Optional accessories

Corner cut ❶

- [KR765501](#) 90° corner cut deep recessed profile, white
- [KR765502](#) 90° corner cut deep recessed profile, black
- [KR765601](#) 48Vdc track, corner cut 90°, white
- [KR765602](#) 48Vdc track, corner cut 90°, black

Power supply

- [KR790474](#) Power supply, 48Vdc, 60W
- [KR790475](#) Power supply, 48Vdc, 100W
- [KR790476](#) Power supply, 48Vdc, 240W
- [KR790771](#) In-track power supply 48Vdc, 100W, white
- [KR790772](#) In-track power supply 48Vdc, 100W, black

Connectors

- [KR746531](#) Straight connector low voltage, white
- [KR746532](#) Straight connector low voltage, black
- [KR746611](#) L-connector low voltage, white
- [KR746612](#) L-connector low voltage, black

Cutting tool ❷

- [KR746920](#) Cutting tool for track conductors

Casambi gateway

- [KR762171](#) Casambi DALI gateway for 48vdc track, white
- [KR762172](#) Casambi DALI gateway for 48vdc track, black

REMARKS

max. 48Vdc, rated current max. 15A, class III (SELV)
 kreon deep recessed track profile is supplied on requested length. Required track profiles need to be ordered separately and cut to the required length on site.

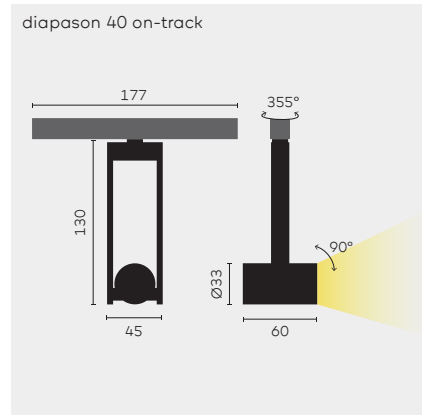
❶ Not applicable on standard configured lengths.

❷ In case the 48V tracks need to be shortened during installation, use the special pliers to cut back the copper wires of the track.

IP40

kreon 48V track luminaires

diapason 40



diapason 40 on-track

Colour	KR-code	Light sources	9027 2700K, CRI90+	9030 3000K, CRI90+	SP Spot (12°)	FL Flood (24°)	WFL Wide flood (38°)	SW Switchable ON/OFF	VD 1-10V dimming ①	DD DALI dimming
○	KR906621	①	●	●	●	●	●	●	●	●
●	KR906622	①	●	●	●	●	●	●	●	●

	CRI	CCT	Voltage	Wattage	Fixture lumen
① LED	CRI90+	2700K/3000K	48V	4,5W	109lm

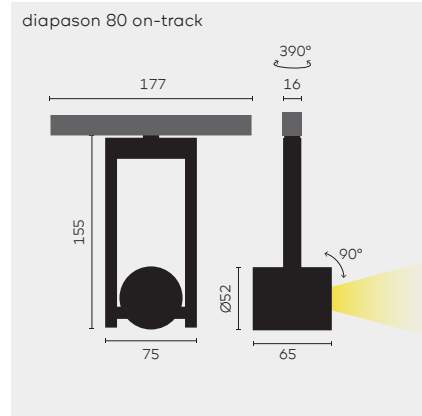
REMARKS

① Recommended to use in combination with active 1-10V dimming. It is recommended not to use 1-10V dim fixtures having no 1-10V signal connected to the track.

◆ IP40

kreon 48V track luminaires

diapason 80



Optional accessories

Glare preventer for diapason 80

Louvres and lenses for diapason 80 ③

Colour	KR-code	Light sources	9027 2700K, CRI90+	9030 3000K, CRI90+	SP Spot (20°)	FL Flood (30°)	WFL Wide flood (40°)	SW Switchable ON/OFF	VD 1-10V dimming ②	DD DALI dimming	Optional accessories
--------	---------	---------------	-----------------------	-----------------------	------------------	-------------------	-------------------------	-------------------------	-----------------------	--------------------	----------------------

○	KR916621	①	●	●	●	●	●	●	●	●	■
●	KR916622	①	●	●	●	●	●	●	●	●	■
◐	KR916625	①	●	●	●	●	●	●	●	●	■

○	KR706721	Straight glare preventer, white (H 30)
●	KR706722	Straight glare preventer, black (H 30)
○	KR706731	Rounded glare preventer, white (H 54)
●	KR706732	Rounded glare preventer, black (H 54)

KR706070	Anti-glare louvre
KR706270	Diffusing lens

REMARKS

① Not suitable for use with 48V deep recessed track

② Recommended to use in combination with active 1-10V dimming. It is recommended not to use 1-10V dim fixtures having no 1-10V signal connected to the track.

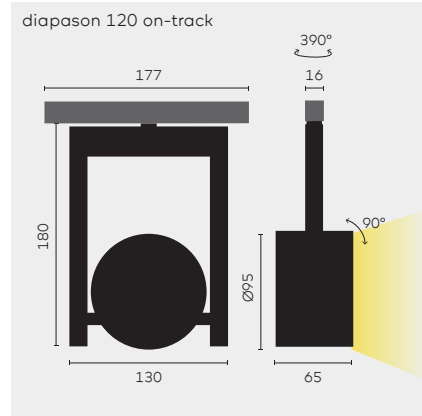
③ Lenses only in combination with a glare preventor. Max. 2 accessories per glare preventor.

● Black luminaire with copper lamphead
◆ IP40

	CRI	CCT	Voltage	Wattage	Fixture lumen
① LED	CRI90+	2700K/3000K	48V	8,2W	428lm

kreon 48V track luminaires

diapason 120



diapason 120 on-track ①

Optional accessories diapason 120

Glare preventer for diapason 120

○	<u>KR706821</u>	Straight glare preventer, white (H 40)
●	<u>KR706822</u>	Straight glare preventer, black (H 40)
○	<u>KR706831</u>	Rounded glare preventer, white (H 90)
●	<u>KR706832</u>	Rounded glare preventer, black (H 90)

Louvres and lenses for diapason 120 ③

	<u>KR706080</u>	Anti-glare louvre
	<u>KR706180</u>	Sculpture lens
	<u>KR706280</u>	Diffusing lens

Colour	KR-code	Light sources	9027 2700K, CRI90+	9030 3000K, CRI90+	SP Spot (12°)	FL Flood (24°)	WFL Wide flood (38°)	SW Switchable ON/OFF	VD 1-10V dimming ②	DD DALI dimming	Optional accessories
○	<u>KR926621</u>	①	●	●	●	●	●	●	●	●	■
●	<u>KR926622</u>	①	●	●	●	●	●	●	●	●	■

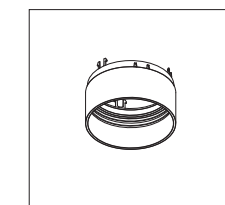
	①	LED	FL	CRI	CCT	Voltage	Wattage	Fixture lumen
	①	LED	FL	CRI90+	2700K/3000K	48V	19W	1761lm

REMARKS

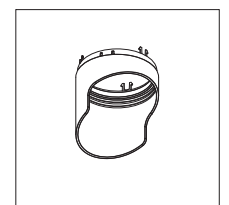
- ① Not suitable for use with 48V deep recessed track
- ② Recommended to use in combination with active 1-10V dimming. It is recommended not to use 1-10V dim fixtures having no 1-10V signal connected to the track.
- ③ Lenses only in combination with a glare preventer. Max. 2 accessories per glare preventer.

◆ IP40

Straight glare preventer

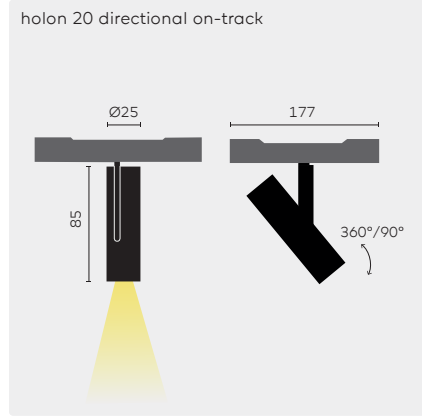


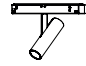
Rounded glare preventer



kreon 48V track luminaires

holon 20



 **holon 20 directional on-track**
gear: incl.

Colour	KR-code	Light sources	9027 2700K, CRI90+	9030 3000K, CRI90+	SP Spot (15°)	DL Dark light (20°)	WDL Wide dark light (38°)	SW Switchable ON/OFF	VD 1-10V dimming	DD DALI dimming	Optional accessories
○	<u>KR952971</u>	①	●	●	●	●	●	●	●	●	■
●	<u>KR952972</u>	①	●	●	●	●	●	●	●	●	■

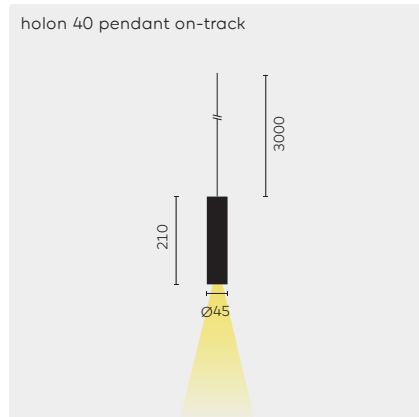
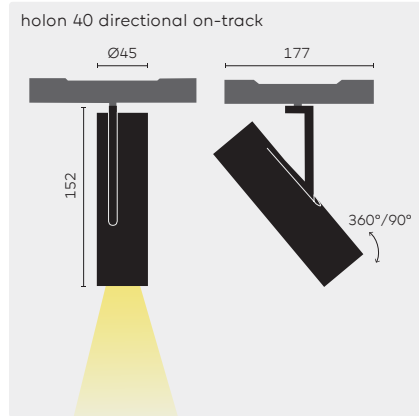
	CRI	CCT	Voltage	Wattage	Fixture lumen	
①	LED	CRI90+	2700K/3000K	48V	4,2W	250lm

REMARKS

◆ IP40

kreon 48V track luminaires

holon 40



holon 40 directional on-track ③

holon 40 pendant on-track

Optional accessories

Lenses and louvres holon 40 directional

Colour	KR-code	Light sources	9027 2700K, CRI90+	9030 3000K, CRI90+	SP Spot (20°)	FL Flood (30°)	WFL Wide flood (40°)	DL Dark light (38°) ①	MDL Wide dark light (76°) ①	SW Switchable ON/OFF	VD 1-10V dimming ②	DD DALI dimming	Optional accessories
--------	---------	---------------	-----------------------	-----------------------	------------------	-------------------	-------------------------	--------------------------	--------------------------------	-------------------------	-----------------------	--------------------	----------------------

○	KR962611	①	●	●	●	●	●	●	●	●	●	●	■
---	----------	---	---	---	---	---	---	---	---	---	---	---	---

●	KR962612	①	●	●	●	●	●	●	●	●	●	●	■
---	----------	---	---	---	---	---	---	---	---	---	---	---	---

○	KR945401	②	●	●	●	●	●	●	●	●	●	●	■
---	----------	---	---	---	---	---	---	---	---	---	---	---	---

●	KR945402	②	●	●	●	●	●	●	●	●	●	●	■
---	----------	---	---	---	---	---	---	---	---	---	---	---	---

KR762000 Anti-glare louvre

KR762200 Diffusing lens

REMARKS

① Only available in combination with black louvre and CRI90+.

② Recommended to use in combination with active 1-10V dimming. It is recommended not to use 1-10V dim fixtures having no 1-10V signal connected to the track.

③ Not suitable for use with 48V deep recessed track.

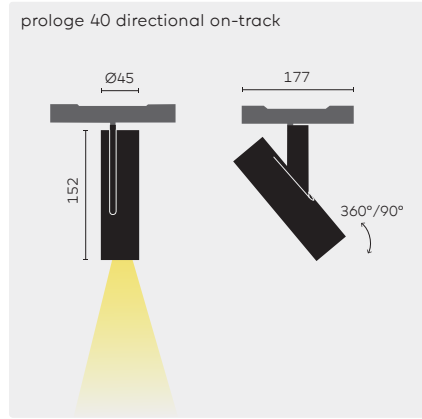
Colours bronze, nickel, gold and gun black on request.

◆ IP40

		CRI	CCT	Voltage	Wattage	Drive current	Fixture lumen
①	LED	CRI90+	2700K/3000K	48V	10,9W		558lm
		darklight CRI90+	2700K/3000K		10,9W	700mA	420lm
②	LED	CRI90+	2700K/3000K	48V	11W		420lm

kreon 48V track luminaires

prologe 40



Colour ③	KR-code	Light sources	9027 2700K, CRI90+	9030 3000K, CRI90+	SP Spot (20°)	FL Flood (30°)	WFL Wide flood (40°)	DL Dark light (38°) ①	WDL Wide dark light (76°) ①	SW Switchable ON/OFF	VD 1-10V dimming	DD DALI dimming	Optional accessories
○	KR967351	①	●	●	●	●	●	●	●	●	●	●	■
●	KR967352	①	●	●	●	●	●	●	●	●	●	●	■

		CRI	CCT	Voltage	Wattage	Fixture lumen
①	LED	CRI90+	2700K/3000K	48V	10,9W	547lm
	darklight	CRI90+	2700K/3000K	48V	10,9W	417lm

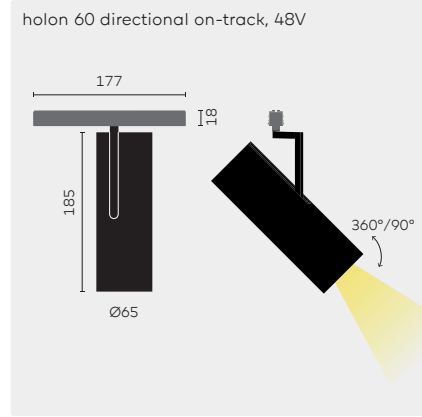
REMARKS

- ① DL and WDL only available in combination with black louvre.
- ② Not suitable for use with 48V deep recessed track 40.
- ③ The track adapter has the same colour as the luminaire.

◆ IP40

kreon 48V track luminaires

holon 60 directional



holon 60 directional, on-track 48Vdc, low louvre

holon 60 directional, on-track 48Vdc, deep recessed louvre

Colour	KR-code	Light sources	9027 2700K, CRI90+	9030 3000K, CRI90+	9040 4000K, CRI90+	9527 2700K, CRI95+	9530 3000K, CRI95+	9540 4000K, CRI95+	TW Tunable white (2700K-5000K), CRI90+	DTW Dim-to-warm (1800K-3000K), CRI97+	SSP Superspot (18°)	SP Spot (33°)	FL Flood (54°)	WFL Wide flood (69°)	SW Switchable ON/OFF	VD 1-10V dimming	DD DALI dimming
--------	---------	---------------	-----------------------	-----------------------	-----------------------	-----------------------	-----------------------	-----------------------	---	--	------------------------	------------------	-------------------	-------------------------	-------------------------	---------------------	--------------------

○	KR962771	①	●	●	●	●	●	●	●	●	●	●	●	●	●	●	●
●	KR962772	①	●	●	●	●	●	●	●	●	●	●	●	●	●	●	●
○	KR962671	②	●	●	●	●	●	●	●	●	●	●	●	●	●	●	●
●	KR962672	②	●	●	●	●	●	●	●	●	●	●	●	●	●	●	●
◐	KR962675	②	●	●	●	●	●	●	●	●	●	●	●	●	●	●	●

			CRI	CCT	Wattage	Drive current	Fixture lumen
①	LED SSP & SP	CRI90+	2700K/3000K/4000K	48V	10,2W	808lm	
		CRI95+	2700K/3000K/4000K	48V	10,2W	727lm	
	SP	CRI90+	TW 2700K-5000K	48V	2x11W	835-1053lm	
		CRI97+	DTW 1800K-3000K	48V	15,1W	726lm	
	FL & WFL	CRI90+	2700K/3000K/4000K	48V	18,5W	1616lm	
		CRI95+	2700K/3000K/4000K	48V	18,5W	1454lm	
		CRI90+	TW 2700K-5000K	48V	2x11W	907-1153lm	
		CRI97+	DTW 1800K-3000K	48V	15,1W	823lm	
②	LED SSP & SP	CRI90+	2700K/3000K/4000K	48V	10,2W	788lm	
		CRI95+	2700K/3000K/4000K	48V	10,2W	709lm	
	SP	CRI90+	TW 2700K-5000K	48V	2x11W	TBD	
		CRI97+	DTW 1800K-3000K	48V	15,1W	TBD	
	FL	CRI90+	2700K/3000K/4000K	48V	18,5W	1523lm	
		CRI95+	2700K/3000K/4000K	48V	18,5W	1370lm	
		CRI90+	TW 2700K-5000K	48V	2x11W	TBD	
		CRI97+	DTW 1800K-3000K	48V	15,1W	TBD	

REMARKS

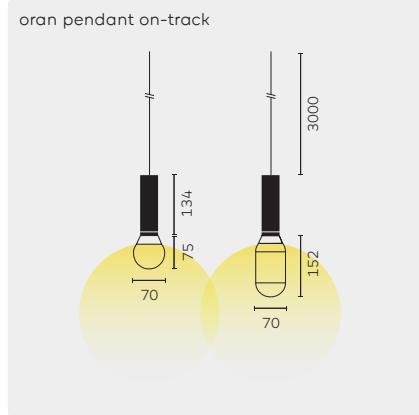
Superspot cannot be combined with tunable white and dim-to-warm.

◐ white luminaire with black louvre

◊ IP40

kreon 48V track luminaires

oran pendant craft



	Colour	KR-code	Light sources	9027 2700K, CRI90+	9030 3000K, CRI90+	SW Switchable ON/OFF	VD 1-10V dimming ①	DD DALI dimming
oran pendant craft sphere bulb on-track	○	KR991721	①	●	●	●	●	●
	●	KR991722	①	●	●	●	●	●
oran pendant craft long ampoule on-track	○	KR991921	①	●	●	●	●	●
	●	KR991922	①	●	●	●	●	●

		CRI	CCT	Voltage	Wattage	Fixture lumen
①	LED	CRI90+	2700K/3000K	48V	9,5W	307lm

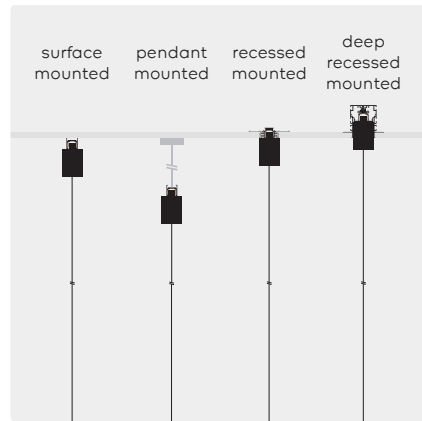
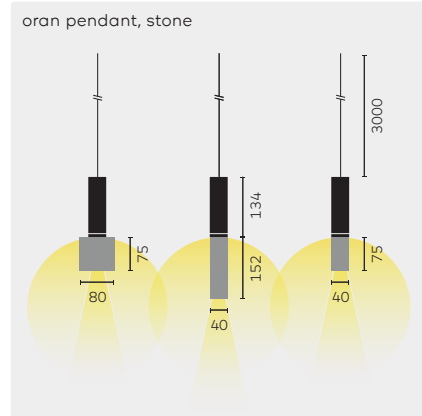
REMARKS

① Recommended to use in combination with active 1-10V dimming. It is recommended not to use 1-10V dim fixtures having no 1-10V signal connected to the track.

◆ IP40

kreon 48V track luminaires

oran pendant stone



	Colour	KR-code	Light sources	9027 2700K, CRI90+	9030 3000K, CRI90+	SW Switchable ON/OFF	VD 1-10V dimming	DD DALI dimming
oran pendant stone on-track, large cube ① ②	○	KR991261	①	●	●	●	●	●
	●	KR991262	①	●	●	●	●	●
oran pendant stone on-track, large cylinder ① ②	○	KR991161	①	●	●	●	●	●
	●	KR991162	①	●	●	●	●	●
oran pendant stone on-track, small cylinder ① ②	○	KR991361	①	●	●	●	●	●
	●	KR991362	①	●	●	●	●	●
oran pendant stone on-track, long cylinder ① ②	○	KR991461	①	●	●	●	●	●
	●	KR991462	①	●	●	●	●	●

		CRI	CCT	Voltage	Wattage	Fixture lumen
①	LED	CRI90+	2700K/3000K	48V	9,2W	② 315lm

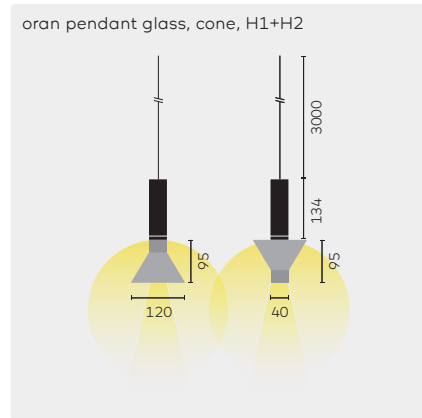
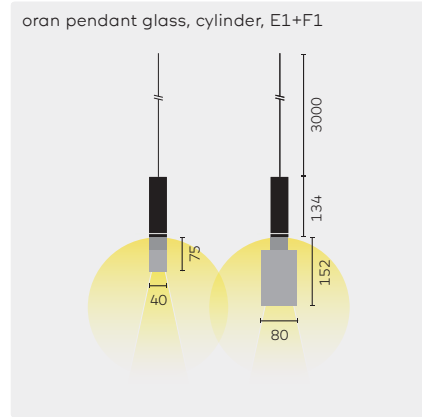
REMARKS





- ① Protect the alabaster block against direct sunlight and temperatures above 50°C.
- ② Lumen output may vary due to the use of natural products.

◆ IP40

kreon 48V track luminaires

oran pendant glass



	Colour	KR-code	Light sources	9027 2700K, CRI90+	9030 3000K, CRI90+	SW switchable ON/OFF	VD 1-10V dimming	DD DALI dimming
 oran pendant glass on-track, cylinder, E1	○	KR971161	①	●	●	●	●	●
	●	KR971162	①	●	●	●	●	●
 oran pendant glass on-track, double cylinder, F1	○	KR971361	②	●	●	●	●	●
	●	KR971362	②	●	●	●	●	●
 oran pendant glass on-track, cone, H1	○	KR971261	③	●	●	●	●	●
	●	KR971262	③	●	●	●	●	●
 oran pendant glass on-track, cone, H2	○	KR971461	④	●	●	●	●	●
	●	KR971462	④	●	●	●	●	●

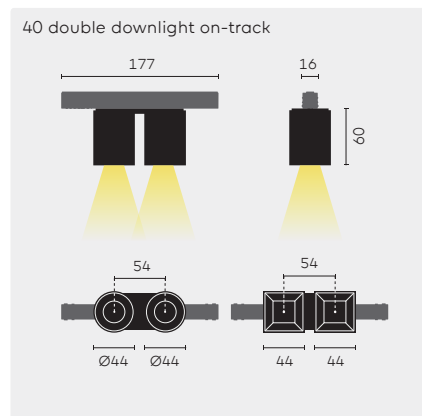
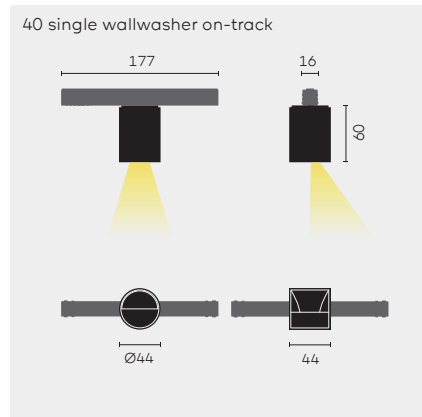
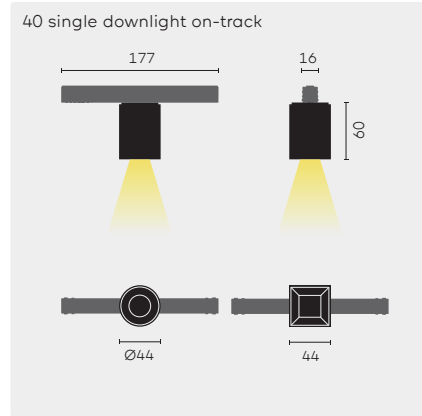
		CRI	CCT	Wattage	Voltage	Drive current	Fixture lumen
①	LED	CRI90+	2700K/3000K	8,4W	48V	700mA	450lm
②	LED	CRI90+	2700K/3000K	8,4W	48V	700mA	444lm
③	LED	CRI90+	2700K/3000K	8,4W	48V	700mA	438lm
④	LED	CRI90+	2700K/3000K	8,4W	48V	700mA	TBD

REMARKS

◆ IP40

kreon 48V track luminaires

holon & prologe 40 fixed downlight



 **holon 40 single downlight on-track**

 **holon 40 single wallwasher on-track**

 **holon 40 double downlight on-track**

 **prologe 40 single downlight on-track**

 **prologe 40 single wallwasher on-track**

 **prologe 40 double downlight on-track**

		CRI	CCT	Voltage	Wattage	Fixture lumen
①	LED	CRI90+	2700K/3000K	48Vdc	4,5W	190lm
	darklight	CRI90+	2700K/3000K	48Vdc	10,7W	375lm
②	LED	CRI90+	2700K/3000K	48Vdc	6,5W	290lm
③	LED	CRI90+	2700K/3000K	48Vdc	6,5W	2x 190lm
	darklight	CRI90+	2700K/3000K	48Vdc	18,9W	2x 375lm

Colour ①
 KR-code
 Light sources
 9027 2700K, CRI90+
 9030 3000K, CRI90+
 SP spot (17°)
 FL flood (24°)
 WFL wide flood (40°)
 DL darklight (32°)
 WDL wide darklight (55°)
 SW Switchable ON/OFF
 VD 1-10V dimming
 DD DALI dimming

○	KR945001	①	●	●	●	●	●	●	●	●	●	●	●	●	●	●	●	●
●	KR945002	①	●	●	●	●	●	●	●	●	●	●	●	●	●	●	●	●
◐	KR945005	①	●	●	●	●	●	●	●	●	●	●	●	●	●	●	●	●
○	KR945101	②	●	●										●	●	●	●	●
●	KR945102	②	●	●										●	●	●	●	●
○	KR945201	③	●	●	●	●	●	●	●	●	●	●	●	●	●	●	●	●
●	KR945202	③	●	●	●	●	●	●	●	●	●	●	●	●	●	●	●	●
◐	KR945205	③	●	●	●	●	●	●	●	●	●	●	●	●	●	●	●	●
○	KR945011	①	●	●	●	●	●	●	●	●	●	●	●	●	●	●	●	●
●	KR945012	①	●	●	●	●	●	●	●	●	●	●	●	●	●	●	●	●
◐	KR945015	①	●	●	●	●	●	●	●	●	●	●	●	●	●	●	●	●
○	KR945111	②	●	●										●	●	●	●	●
●	KR945112	②	●	●										●	●	●	●	●
○	KR945211	③	●	●	●	●	●	●	●	●	●	●	●	●	●	●	●	●
●	KR945212	③	●	●	●	●	●	●	●	●	●	●	●	●	●	●	●	●
◐	KR945215	③	●	●	●	●	●	●	●	●	●	●	●	●	●	●	●	●

REMARKS

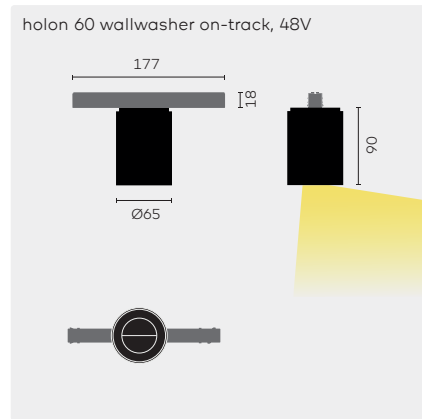
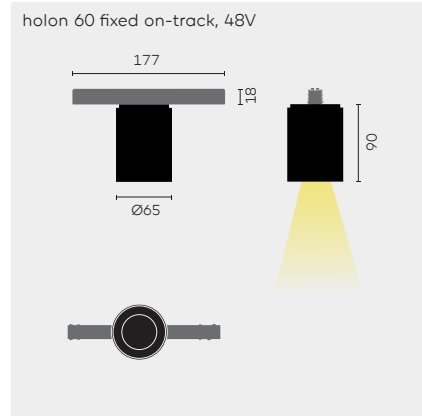
① The track adapter has the same colour as the luminaire.

◐ White luminaire with black louvre.

◆ IP40

kreon 48V track luminaires

holon 60 fixed



holon 60 fixed, on-track 48Vdc, low louvre

holon 60 fixed, on-track 48Vdc, deep recessed louvre

holon 60 wallwasher, on-track 48Vdc

Colour ①	KR-code	Light sources	9027 2700K, CRI90+	9030 3000K, CRI90+	9040 4000K, CRI90+	9527 2700K, CRI95+	9530 3000K, CRI95+	9540 4000K, CRI95+	TW Tunable white (2700K-5000K), CRI90+	DTW Dim-to-warm (1800K-3000K), CRI97+	SSP Superspot (18°)	SP Spot (33°)	FL Flood (54°)	WFL Wide flood (69°)	SW switchable ON/OFF	VD 1-10V dimming	DD DALI dimming
----------	---------	---------------	-----------------------	-----------------------	-----------------------	-----------------------	-----------------------	-----------------------	---	--	------------------------	------------------	-------------------	-------------------------	-------------------------	---------------------	--------------------

○	KR962081	①	●	●	●	●	●	●	●	●	●	●	●	●	●	●	●
●	KR962082	①	●	●	●	●	●	●	●	●	●	●	●	●	●	●	●
○	KR962281	②	●	●	●	●	●	●	●	●	●	●	●	●	●	●	●
●	KR962282	②	●	●	●	●	●	●	●	●	●	●	●	●	●	●	●
◐	KR962285	②	●	●	●	●	●	●	●	●	●	●	●	●	●	●	●
○	KR962181	③	●	●	●	●	●	●	●	●	●	●	●	●	●	●	●
●	KR962182	③	●	●	●	●	●	●	●	●	●	●	●	●	●	●	●

			CRI	CCT	Voltage	Wattage	Fixture lumen
①	LED SSP & SP	CRI90+	2700K/3000K/4000K	48Vdc	10W	727lm	
		CRI95+	2700K/3000K/4000K	48Vdc	10W	TBD	
	SP	CRI90+	TW 2700K-5000K	48Vdc	2x12W	835-1053lm	
		CRI97+	DTW 1800K-3000K	48Vdc	TBD	726lm	
	FL & WFL	CRI90+	2700K/3000K/4000K	48Vdc	19W	1470lm	
		CRI95+	2700K/3000K/4000K	48Vdc	19W	1323lm	
		CRI90+	TW 2700K-5000K	48Vdc	2x12W	907-1153lm	
		CRI97+	DTW 1800K-3000K	48Vdc	TBD	823lm	
②	LED SSP & SP	CRI90+	2700K/3000K/4000K	48Vdc	10W	687lm	
		CRI95+	2700K/3000K/4000K	48Vdc	10W	TBD	
	SP	CRI90+	TW 2700K-5000K	48Vdc	2x12W	TBD	
		CRI97+	DTW 1800K-3000K	48Vdc	TBD	TBD	
	FL	CRI90+	2700K/3000K/4000K	48Vdc	19W	1382lm	
		CRI95+	2700K/3000K/4000K	48Vdc	19W	1244lm	
		CRI90+	TW 2700K-5000K	48Vdc	2x12W	TBD	
		CRI97+	DTW 1800K-3000K	48Vdc	TBD	TBD	
③	LED WW	CRI90+	2700K/3000K/4000K	48Vdc	10W	710lm	
		CRI95+	2700K/3000K/4000K	48Vdc	10W	639lm	
		CRI90+	TW 2700K-5000K	48Vdc	2x12W	TBD	
		CRI97+	DTW 1800K-3000K	48Vdc	TBD	TBD	

REMARKS

Superspot cannot be combined with tunable white and dim-to-warm.

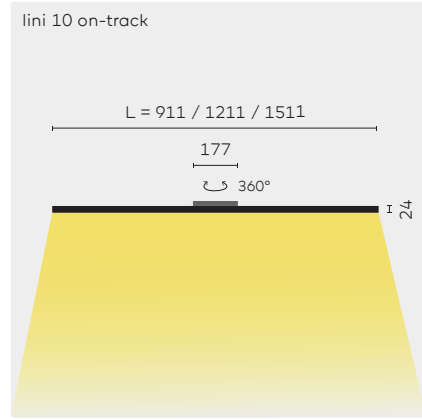
① The track adapter has the same colour as the luminaire

◐ White luminaire with black louvre

◇ IP20

kreon 48V track luminaires

lini 10



lini 10 on-track
gear incl.



Colour	KR-code	Light sources	9027 2700K, CRI90+	9030 3000K, CRI90+	SW Switchable ON/OFF	VD 1-10V dimming	DD DALI dimming	09 Length 911 mm	12 Length 1211 mm	15 Length 1511 mm
○	<u>KR974811</u>	①	●	●	●	●	●	●	●	●
●	<u>KR974812</u>	①	●	●	●	●	●	●	●	●
●	<u>KR974814</u>	①	●	●	●	●	●	●	●	●

		CRI	CCT	Voltage	Wattage	Fixture lumen	
①	LED	09	CRI90+	2700K/3000K	48V	15,5W	466lm
		12	CRI90+	2700K/3000K	48V	19,8W	620lm
		15	CRI90+	2700K/3000K	48V	24,1W	774lm

◆ IP40

kreon 3~230V track

Track lighting is ideal for areas where you lack space or are in need of multiple lighting needs. Great for showrooms, retail stores or home environments. They can be used to illuminate every space from a dark hallway to an office, to a cozy living room or to highlight beautiful artwork.

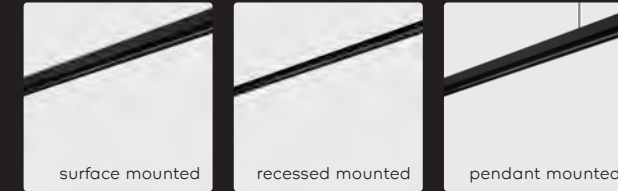
Track lighting offers endless applications, they're a good choice for any room. This lighting application is also highly customizable. You can easily change the size and number of fixtures* to suit your lighting needs.

With a 230V track system, there is only one mains power connection on the ceiling needed, without the need for an additional power supply unit.

*Number of fixtures is limited depending of the lenght of the track and the current load.

[↑ back to overview page track systems & projectors](#)

230V track profile
530



erubo on-track
536



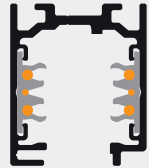
holon 60 & holon 80
on-track
538



kreon 3~230V-track + databus

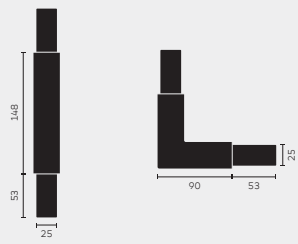
surface mounted & pendant

3~circuit track + databus

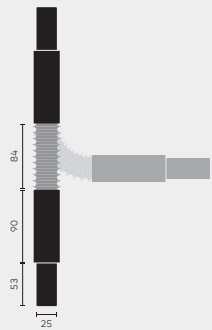


3~circuit track + databus

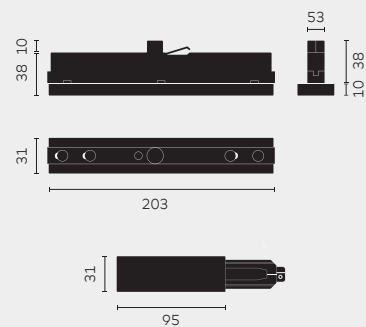
I-coupler with feed & L-coupler with feed



Adjustable corner with feed



Mid feed & end feed



Track accessories

Connections

Track fixing accessories

Accessories for suspended 3~230V-track

- KR736821 2000mm, white, onetrack, 3~ with DALI
- KR736822 2000mm, black, onetrack, 3~ with DALI
- KR736831 3000mm, white, onetrack, 3~ with DALI
- KR736832 3000mm, black, onetrack, 3~ with DALI

- KR736801 End cap, white
- KR736802 End cap, black
- KR736101 PVC cover, 1000mm, white
- KR736102 PVC cover, 1000mm, black
- KR746920 cutting tool for track conductors

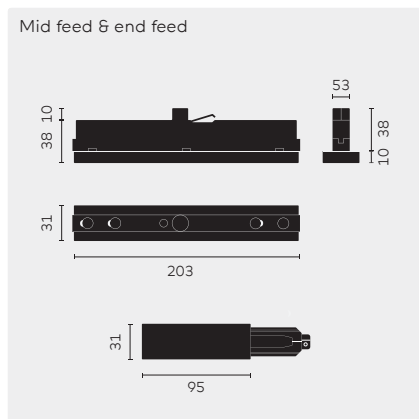
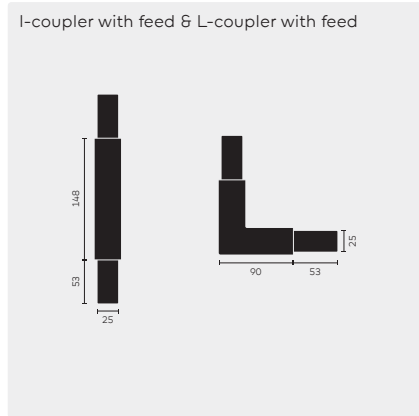
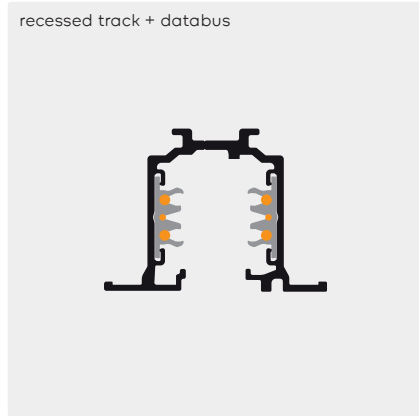
- KR736601 End feed, earth right, white
- KR736602 End feed, earth right, black
- KR736611 End feed, earth left, white
- KR736612 End feed, earth left, black
- KR736641 Straight connector, white
- KR736642 Straight connector, black
- KR736401 Mid feed, white
- KR736402 Mid feed, black
- KR736201 I-coupler with feed, white
- KR736202 I-coupler with feed, black
- KR736701 L-coupler with feed, earth inside, white
- KR736702 L-coupler with feed, earth inside, black
- KR736711 L-coupler with feed, earth outside, white
- KR736712 L-coupler with feed, earth outside, black
- KR736901 Adjustable corner with feed, white
- KR736902 Adjustable corner with feed, black

- KR736000 Installation bracket surface mounted
- KR791211-HV Connection box ø65 x 52, white @
- KR791212-HV Connection box ø65 x 52, black @

- KR736410 Supply cable transparant 6x0,75mm², 4000mm
- KR726963 Suspension steel wire 1500mm
- KR726973 Suspension steel wire 3000mm
- KR736212 Suspension bracket for suspension wire
- KR736312 Suspension bracket for suspension wire, mechanical coupler

REMARKS
white = RAL9016
black = RAL9005

kreon 3~230V-track + databus recessed mounted



3~circuit track + databus

Track accessories

Connections

Accessories for connections

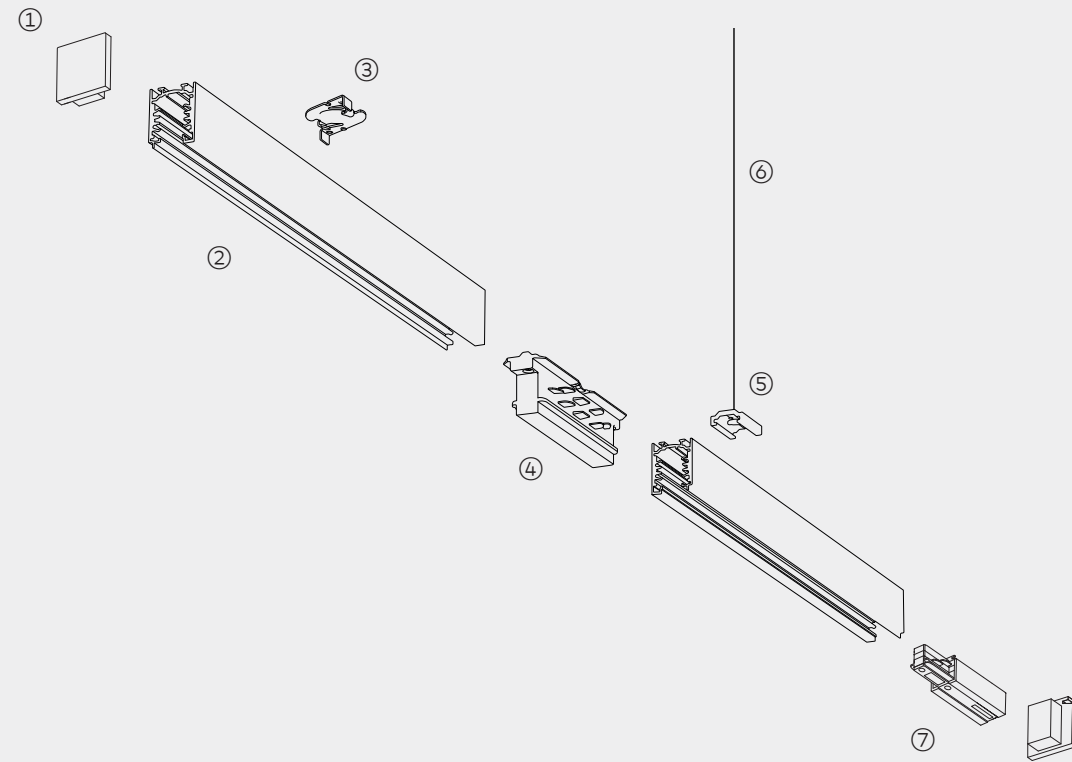
Accessories for suspended 3~230V-track

○	KR736921	2000mm, white, recessed onetrack, 3~ with DALI
●	KR736922	2000mm, black, recessed onetrack, 3~ with DALI
○	KR736931	3000mm, white, recessed onetrack, 3~ with DALI
●	KR736932	3000mm, black, recessed onetrack, 3~ with DALI
○	KR736811	End cap, white
●	KR736812	End cap, black
○	KR736101	PVC cover, 1000mm, white
●	KR736102	PVC cover, 1000mm, black
	KR746920	Cutting tool for track conductors
○	KR736601	End feed, earth right, white
●	KR736602	End feed, earth right, black
○	KR736611	End feed, earth left, white
●	KR736612	End feed, earth left, black
○	KR736401	Mid feed, white
●	KR736402	Mid feed, black
○	KR736201	I-coupler with feed, white
●	KR736202	I-coupler with feed, black
○	KR736701	L-coupler with feed, earth inside, white
●	KR736702	L-coupler with feed, earth inside, black
○	KR736711	L-coupler with feed, earth outside, white
●	KR736712	L-coupler with feed, earth outside, black
○	KR736631	Recessed cover for end feed, white
●	KR736632	Recessed cover for end feed, black
○	KR736231	Recessed cover for I-coupler, white
●	KR736232	Recessed cover for I-coupler, black
○	KR736731	Recessed cover for L-coupler, white
●	KR736732	Recessed cover for L-coupler, black
	KR726963	Suspension steel wire 1500mm
	KR736212	Suspension bracket for suspension wire
	KR736312	Suspension bracket for suspension wire, mechanical coupler

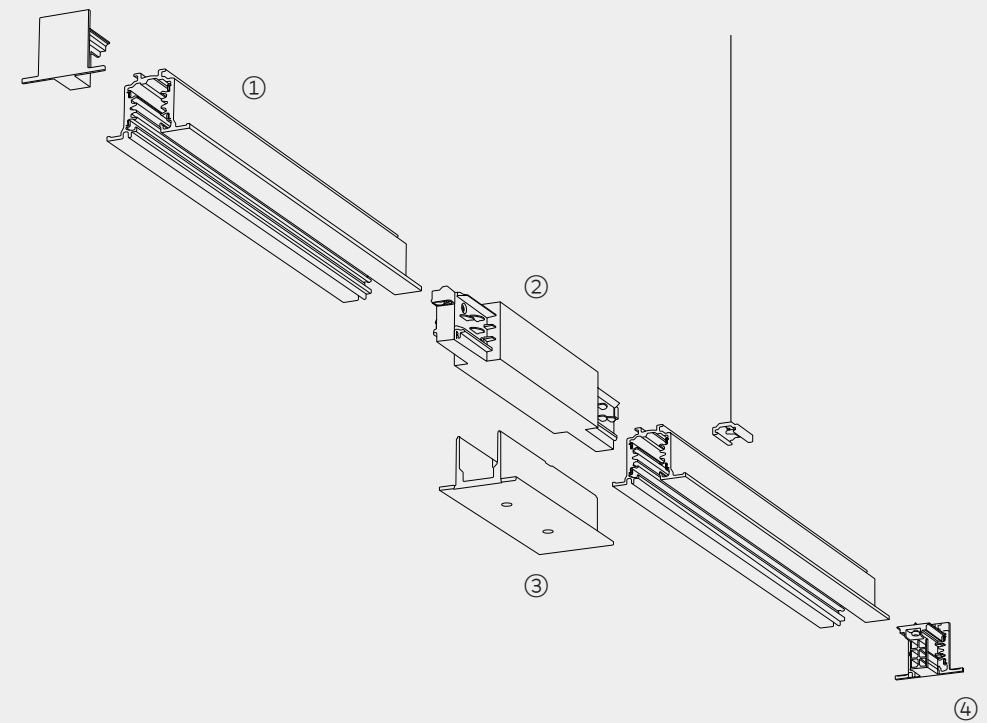
REMARKS
white = RAL9016
black = RAL9005

kreon 230V track

surface & recessed mounted, suspended



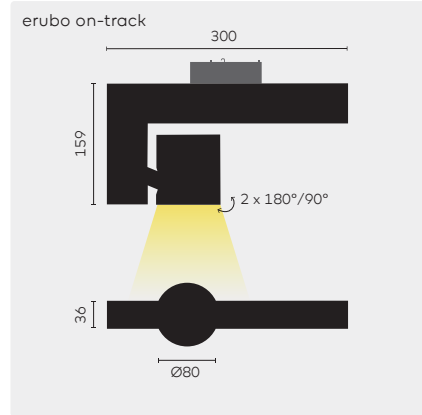
- ① End cap
- ② 3-circuit track + databus, available in 2000mm or 3000mm
- ③ Installation bracket for surface mounted onetrack
- ④ Straight connector to connect two tracks
- ⑤ Suspension bracket for suspension wire
- ⑥ Suspension wire
- ⑦ End feed for electrical wiring (left or right)



- ① Recessed 3-circuit track + databus, available in 2000mm or 3000mm
- ② I-coupler
- ③ Cover for i-coupler
- ④ End cap for recessed mounted track

kreon 230V track luminaires

erubo on-track



Optional accessories

Lenses

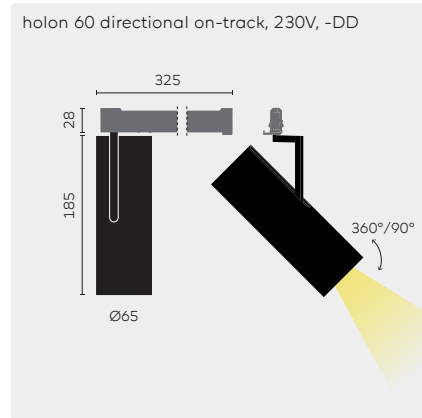
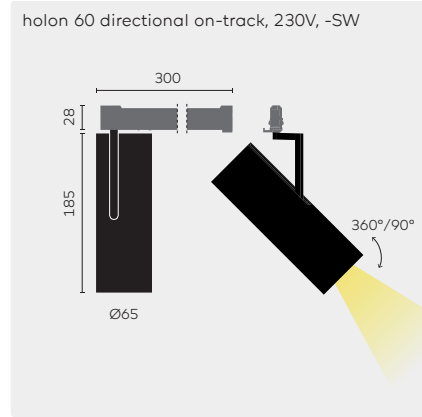
Colour	KR-code	Light sources	9027 2700K, CRI90+	9030 3000K, CRI90+	9040 4000K, CRI90+	9527 2700K, CRI95+	9530 3000K, CRI95+	9540 4000K, CRI95+	FL Flood (24°)	WFL Wide flood (38°)	PD Phase dimming	Optional accessories
○	<u>KR927635</u>	①	●	●	●	●	●	●	●	●	●	■
●	<u>KR927632</u>	①	●	●	●	●	●	●	●	●	●	■
	<u>KR762002</u>	Anti-glare louvre										

		CRI	CCT	Voltage	Wattage	Fixture lumen	
①	LED	FL 6 WFL	CRI90+	2700K/3000K/4000K	230V	19W	1492lm
			CRI95+	2700K/3000K/4000K	230V	19W	1276lm

REMARKS
Gear included.
IP40

kreon 3~230V-track luminaires

holon 60 directional on-track



holon 60 directional, on-track 230Vdc, low louvre
Gear: incl. ①

holon 60 directional, on-track 230Vdc, deep recessed louvre
Gear: incl. ②

		CRI	CCT	Voltage	Wattage	Fixture lumen
①	LED SSP & SP	CRI90+	2700K/3000K/4000K	230V	13W	808lm
		CRI95+	2700K/3000K/4000K	230V		727lm
	SP	CRI97+	DTW 1800K-3000K	230V		726lm
	FL & WFL	CRI90+	2700K/3000K/4000K	230V	21W	1616lm
		CRI95+	2700K/3000K/4000K	230V		1454lm
		CRI97+	DTW 1800K-3000K	230V		823lm
②	LED SSP & SP	CRI90+	2700K/3000K/4000K	230V	13W	788lm
		CRI95+	2700K/3000K/4000K	230V		709lm
	SP	CRI97+	DTW 1800K-3000K	230V		TBD
	FL	CRI90+	2700K/3000K/4000K	230V	21W	1523lm
		CRI95+	2700K/3000K/4000K	230V		1370lm
		CRI97+	DTW 1800K-3000K	230V		TBD

Colour	KR-code	Light sources	9027 2700K, CRI90+	9030 3000K, CRI90+	9040 4000K, CRI90+	9527 2700K, CRI95+	9530 3000K, CRI95+	9540 4000K, CRI95+	DTW Dim-to-warm (1800K-3000K), CRI97+	SSP Superspot (18°)	SP Spot (33°)	FL Flood (54°)	WFL Wide flood (69°)	SW Switchable ON/OFF	DD DALI dimming ③
--------	---------	---------------	-----------------------	-----------------------	-----------------------	-----------------------	-----------------------	-----------------------	--	------------------------	------------------	-------------------	-------------------------	-------------------------	----------------------

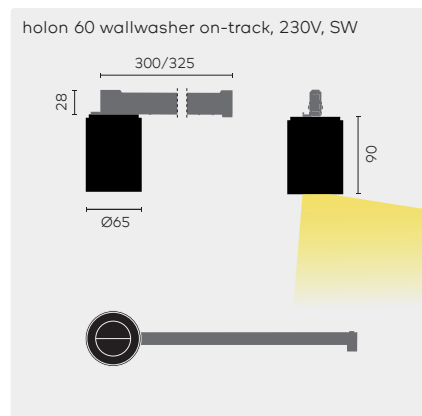
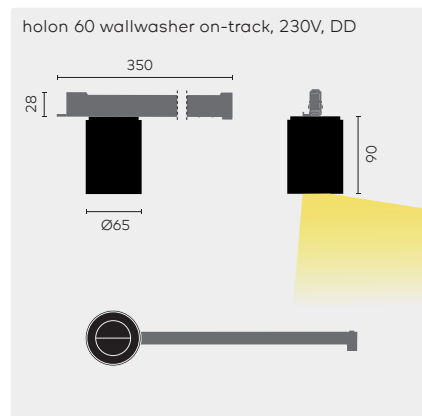
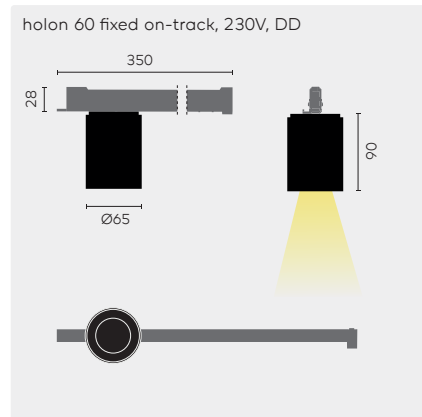
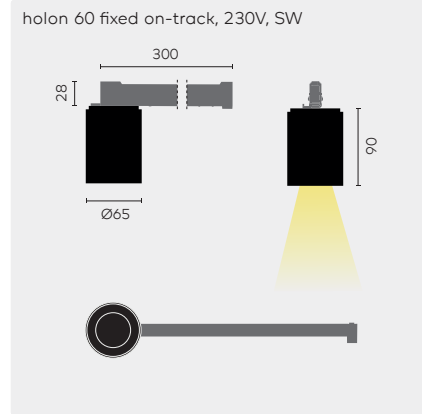
○	KR962981	①	●	●	●	●	●	●	●	●	●	●	●	●	●
●	KR962982	①	●	●	●	●	●	●	●	●	●	●	●	●	●
○	KR962881	②	●	●	●	●	●	●	●	●	●	●	●	●	●
●	KR962882	②	●	●	●	●	●	●	●	●	●	●	●	●	●
◐	KR962885	②	●	●	●	●	●	●	●	●	●	●	●	●	●

REMARKS
① For tracks with internal dim channels
● white luminaire with black louvre

IP40

kreon 3~230V-track luminaires

holon 60 fixed & wallwasher on-track



holon 60 fixed, on-track 230Vdc, low louvre
Gear: incl. ①

holon 60 fixed, on-track 230Vdc, deep recessed louvre
Gear: incl. ②

holon 60 wallwasher, on-track 230Vdc
Gear: incl. ③

			CRI	CCT	Voltage	Wattage	Fixture lumen
①	LED SSP & SP	CRI90+	2700K/3000K/4000K	230V	13W	727lm	
		CRI95+	2700K/3000K/4000K	230V		654lm	
	SP	CRI97+	DTW 1800K-3000K	230V	15,1W	726lm	
	FL & WFL	CRI90+	2700K/3000K/4000K	230V	21W	1470lm	
		CRI95+	2700K/3000K/4000K	230V		1323lm	
		CRI97+	DTW 1800K-3000K	230V	15,1W	823lm	
②	LED SSP & SP	CRI90+	2700K/3000K/4000K	230V	13W	687lm	
		CRI95+	2700K/3000K/4000K	230V		618lm	
	SP	CRI97+	DTW 1800K-3000K	230V	15,1W	TBD	
	FL	CRI90+	2700K/3000K/4000K	230V	21W	1382lm	
		CRI95+	2700K/3000K/4000K	230V		1244lm	
		CRI97+	DTW 1800K-3000K	230V	15,1W	TBD	
③	LED WW	CRI90+	2700K/3000K/4000K	230V	13W	710lm	
		CRI95+	2700K/3000K/4000K	230V		639lm	
		CRI97+	DTW 1800K-3000K	230V	15,1W	TBD	

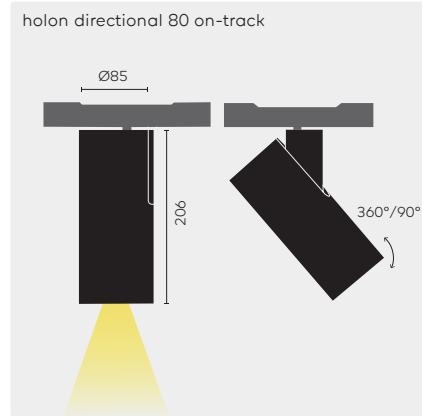
Colour	KR-code	Light sources	9027 2700K, CRI90+	9030 3000K, CRI90+	9040 4000K, CRI90+	9527 2700K, CRI95+	9530 3000K, CRI95+	9540 4000K, CRI95+	DTW Dim-to-warm (1800K-3000K), CRI97+	SSP Superspot (18°)	SP Spot (33°)	FL Flood (54°)	WFL Wide flood (69°)	SW Switchable ON/OFF	DD DALI dimming ④
--------	---------	---------------	-----------------------	-----------------------	-----------------------	-----------------------	-----------------------	-----------------------	--	------------------------	------------------	-------------------	-------------------------	-------------------------	----------------------

○	KR962381	①	●	●	●	●	●	●	●	●	●	●	●	●	●
●	KR962382	①	●	●	●	●	●	●	●	●	●	●	●	●	●
○	KR962581	②	●	●	●	●	●	●	●	●	●	●	●	●	●
●	KR962582	②	●	●	●	●	●	●	●	●	●	●	●	●	●
◐	KR962585	②	●	●	●	●	●	●	●	●	●	●	●	●	●
○	KR962481	③	●	●	●	●	●	●	●	●	●	●	●	●	●
●	KR962482	③	●	●	●	●	●	●	●	●	●	●	●	●	●


REMARKS
 ① For tracks with internal dim channels
 ● white luminaire with black louvre
 IP40

kreon 3~230V-track luminaires

holon 80 directional on-track



 **holon 80 directional, on-track 230Vdc, low louvre**
Gear: incl. ④

 **holon 80 directional, on-track 230Vdc, deep recessed louvre**
Gear: incl. ④

■ **Optional accessories**

Lenses and louvres ①

Colour	KR-code	Light sources	9027 2700K, CRI90+	9030 3000K, CRI90+	9040 4000K, CRI90+	9527 2700K, CRI95+	9530 3000K, CRI95+	9540 4000K, CRI95+	FL Flood (30°)	WFL Wide flood (38°)	SW Switchable ON/OFF	DD DALI dimming ②	Optional accessories
○	KR962041	①	●	●	●	●	●	●	●	●	●	●	■
●	KR962042	①	●	●	●	●	●	●	●	●	●	●	■
○	KR962941	①	●	●	●	●	●	●	●	●	●	●	■
●	KR962942	①	●	●	●	●	●	●	●	●	●	●	■
◐	KR962945	①	●	●	●	●	●	●	●	●	●	●	■
	KR762002												Anti-glare louvre
	KR726200												Diffusing lens

		CRI	CCT	Voltage	Wattage	Fixture lumen
①	LED	CRI90+	2700K/3000K/4000K	230V	28,9W	1610lm
		CRI95+	2700K/3000K/4000K	230V	28,9W	1610lm
②	LED	CRI90+	2700K/3000K/4000K	230V	28,9W	2415lm
		CRI95+	2700K/3000K/4000K	230V	28,9W	1937lm

REMARKS

① One optional lens or louvre possible.

② For tracks with internal dim channels

◐ white luminaire with black louvre

④ IP40

Next to sight, hearing is one of our most valuable senses, sharing the same emotions and both reinforcing the way we perceive the world around us.

kreon offers a complete range of integrated compact speakers that follow the same design language of the kreon lighting fixtures and in some cases even allow the combination of both light and sound into one architectural unit. This makes it possible to fully integrate the sound plan into the light plan merging both into a harmonious yet minimalist architectural expression.

kreon audio can be applied as a single unit or as an acoustic component of a linear lighting system.

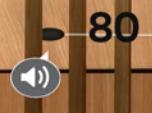
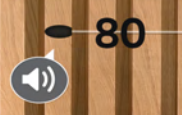
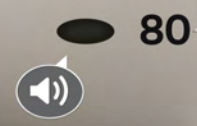
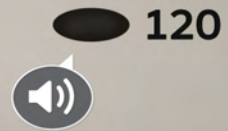
Create multiple schemes for different rooms. The remote digital DIN rail amplifiers allow a centralised custom programming of the complete audio system.

Connect directly or wireless to any audio source, like a smartphone, tablet, CD player, TV, computer or a home automation system.

Depending on the size of the room and the characteristics of the speakers, a subwoofer may be required for additional clarity and power.

[↑ back to table of content](#)



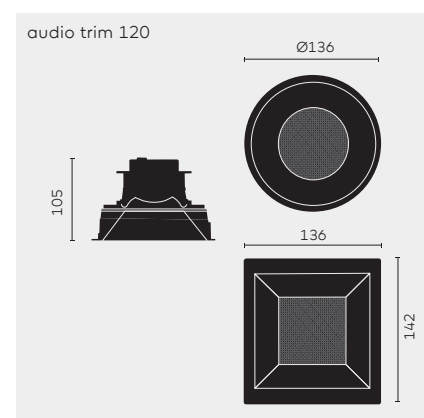
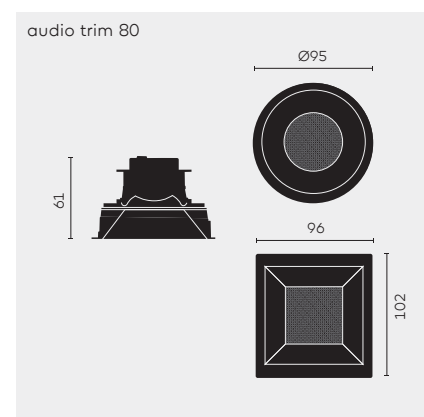
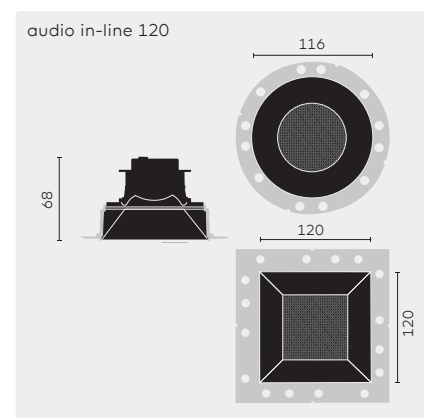
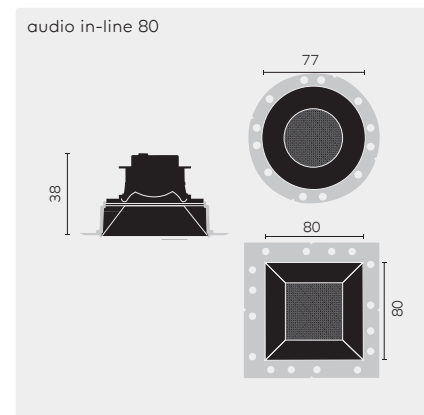


Bluetooth
connected
interface

Amplifier

CD player
TV
Multiroom system

Subwoofer



	Colour ①	KR-code	Speaker	RD1 Round, white ②	RD2 Round, black ②	SO1 Square, white ②	SO2 Square, black ②	Required accessories
audio in-line 80 ③	○	KR907091	①					■
	●	KR907092	①					■
audio in-line 120 ③ ④	○	KR907891	②					■
	●	KR907892	②					■
audio trim 80 ③	○	KR937091	①	●	●	●	●	
	●	KR937092	①	●	●	●	●	
audio trim 120 ③ ④	○	KR937991	②	●	●	●	●	
	●	KR937992	②	●	●	●	●	

■ Required accessories

Plasterkit (round)	KR717104	Plasterkit aplis in-line 80, no shadowgap
	KR717108	Plasterkit aplis in-line 80, shadowgap
	KR707204	Plasterkit aplis in-line 120, no shadowgap
	KR707208	Plasterkit aplis in-line 120, shadowgap
Plasterkit (square)	KR717114	Plasterkit down in-line 80, no shadowgap
	KR717118	Plasterkit down in-line 80, shadowgap
	KR707214	Plasterkit down in-line 120, no shadowgap
	KR707218	Plasterkit down in-line 120, shadowgap
Installation kit for wooden ceiling (round)	KR717100	Installation kit, no shadowgap
Louvre (round)	KR717106	Louvre aplis in-line 80, white
	KR717122	Louvre aplis in-line 80, black
	KR717105	Louvre aplis in-line 80, gun black
	KR717103	Louvre aplis in-line 80, red satin copper
	KR707206	Louvre aplis in-Line 120, white
	KR707222	Louvre aplis in-line 120, black
Louvre (square)	KR717116	Louvre down in-line 80, white
	KR717112	Louvre down in-line 80, black
	KR717115	Louvre down in-line 80, gun black
	KR717113	Louvre down in-line 80, red satin copper
	KR707216	Louvre down in-line 120, white
	KR707212	Louvre down in-line 120, black

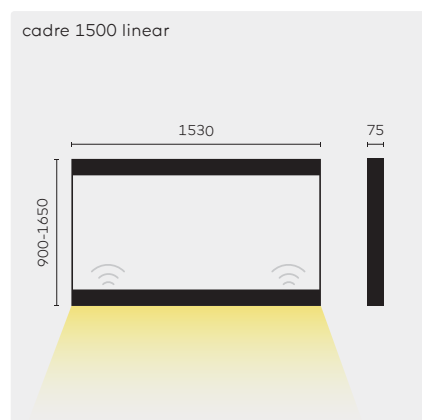
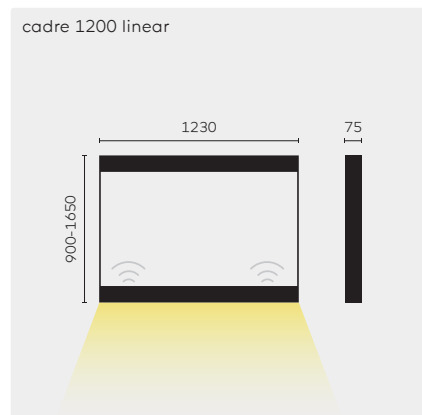
	Speakers	Impedance (Ω)	Bandwidth (Hz)	Max SPL at 1m			Wiring
				minikreamp	kreamp	home-cinema amp	
①	1 x 2"	4 ohm	90 - 20k	95,2dB	99dB	99dB	2 x 2,5mm ²
②	1 x 3"	8 ohm	60 - 20k	96dB	100dB	100dB	2 x 2,5mm ²

REMARKS

- ① Coding defines the colour of the speakers cloth
- ② Coding defines the shape and the colour of the trim and louvre.
- ③ Suitable for under canopy use.
- ④ Can be used as minisubwoofer in small rooms. See page 556-557 for more audio accessories.

IP20

kreon audio in cadre



	Colour	KR-code	Speaker	Light sources	9027 2700K, CRI90+	9030 3000K, CRI90+	VD 1-10V dimming	DD DALI dimming	Required accessories	Optional accessories
cadre 1200 linear	●	KR963460	① ②	● ●	● ●	● ●	■	■		
	●	KR963462	① ②	● ●	● ●	● ●	■	■		
cadre 1500 linear	●	KR963470	① ③	● ●	● ●	● ●	■	■		
	●	KR963472	① ③	● ●	● ●	● ●	■	■		

■ Required accessories

Leather telescopic suspension, black anodised (for KR9634x2)

Pendant height 900-1200 mm	End part	○	KR763761
		●	KR763762
Pendant height 1200-1650 mm	End part	○	KR763861
		●	KR763862
Pendant height 900-1200 mm	Coupler	○	KR763361
		●	KR763362
Pendant height 1200-1650 mm	Coupler	○	KR763461
		●	KR763462

Leather telescopic suspension, chrome (for KR9634x0)

Pendant height 900-1200 mm	End part	○	KR763751
		●	KR763752
Pendant height 1200-1650 mm	End part	○	KR763851
		●	KR763852
Pendant height 900-1200 mm	Coupler	○	KR763351
		●	KR763352
Pendant height 1200-1650 mm	Coupler	○	KR763451
		●	KR763452

	Speakers	Impedance (Ω)	Bandwidth (Hz)	Max SPL at 1m			Wiring
				minikreamp	kreamp	home-cinema amp	
①	2 x 2"	2 x 4 ohm	110-24k	98dB	101dB	101dB (only for surround)	4 x 2,5mm ²
		CRI	CCT	Voltage	Wattage	Fixture lumen	
②	LED	CRI90+	2700K/3000K	230V	4 x 6,5W	1335lm	
③	LED	CRI90+	2700K/3000K	230V	5 x 6,5W	1669lm	

REMARKS

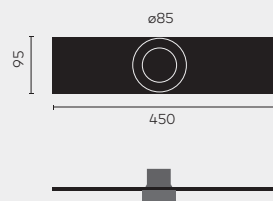
- ① kreon cadre is available in two different colours
- Black anodised
- Chrome

See page 556-557 for more audio accessories.

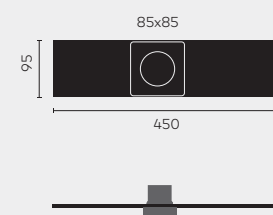
Gear: incl.

IP40

holon 80 single in-cana



prologe 80 single in-cana



holon 80 in-cana single

prologe 80 in-cana single

Colour ①
KR-code
Speaker
Required accessories ②
Optional accessories ②

○	KR934211	①	■	■
●	KR934212	①	■	■
○	KR934261	①	■	■
●	KR934262	①	■	■

Speakers	Impedance (Ω)	Bandwidth (Hz)	Max SPL at 1m			Wiring
			minikreamp	kreamp	home-cinema amp	
① 1 x 2"	4 ohm	90 - 20k	95,2dB	99dB	99dB	2 x 2,5mm ²

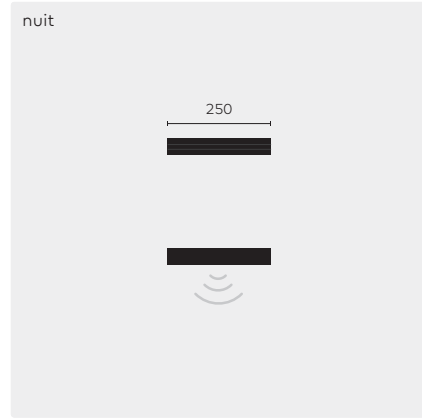
REMARKS

① The coverplates on the inside of the profile are always black. The speaker cloth has the same colour as the module.

② See page 556-557 for more audio accessories.

The speakers are supplied pre-assembled. Combinations can be specified on order form. See kreon cana 80 range on page 94 for more information on the serie.

IP20



nuit

Colour ①

KR-code

Speaker

Required accessories ②

Optional accessories ②

KR974890

①



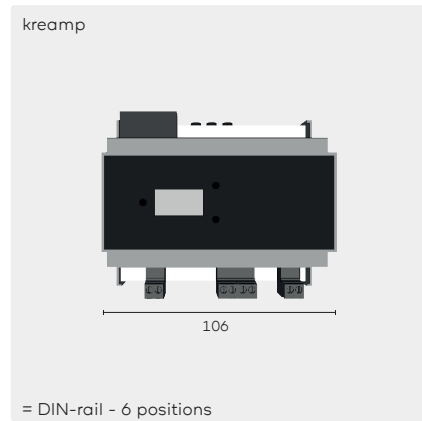
	Speakers	Impedance (Ω)	Bandwidth (Hz)	Max SPL at 1m			Wiring
				minikreamp	kreamp	home-cinema amp	
①	1 x 6 x 1"	6 ohm	200-20k	90dB	95dB	xx	2 x 2,5mm ²

REMARKS

- ① The cloth of the speaker is always black
- ② See page 556-557 for more audio accessories.

See kreon nuit range on page 420 for more information on the serie.

IP20

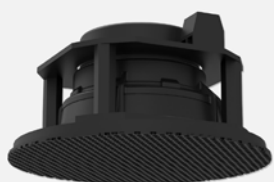


	Colour	KR-code	Optional accessories
mini kreamp amplifier DIN-rail 4-positions		KR957020	① ■
kreamp amplifier DIN-rail 6-positions		KR957025	② ■
connect BT Ⓜ + jack Ⓜ LxH 80x80, 68mm standard socket box	○	KR957321	
	●	KR957322	
subwoofer LxH 560x190x113		KR957620	③
■ Optional accessories			
Voltage		KR757020	DIN-rail 24V-60W for minikreamp
		KR757025	DIN-rail 48V-92W for kreamp
Cable RJ45		KR710102	Cable RJ45, 0.3m
		KR710000	Cable RJ45, 0.5m
		KR710005	Cable RJ45, 5m
		KR710010	Cable RJ45, 10m
		KR710020	Cable RJ45, 20m
Splitter		KR710300	Splitterbox

	Output power	Bandwidth (Hz)	Voltage		
①	2 x 18 Wrms (4 ohm) + 1 x 36 Wrms (8 ohm)	5 - 24k	24V		
②	2 x 145 Wrms (2 ohm) + 1 x 300 Wrms (4 ohm)	5 - 24k	48V		
	Speakers	Impedance	Bandwidth (Hz)	Max SPL at 1m	Wiring
③	1 x 6,5' active + 2 x 6,5' passives	8 ohm	40-250k	103/110dB (minikreamp/kreamp)	2 x 2,5 mm ²

REMARKS
① Bluetooth 4.2 - A2DP-APTX

A. Choose your speaker



A. Choose your speaker

The kreon speakers are miniaturized high quality passive audio components. Carefully position your speakers according to the space and the desired sound experience.

B. Add a subwoofer when needed

Depending on the size of your room and the characteristics of your speakers, a subwoofer may be required for additional clarity and power. The shallow kreon subwoofers are made of 3 mm steel sheets and only measures 560 x 190 x 110 mm only. Thanks to their flat design and their narrow output, they are easily hiddable in cupboards plinths, under beds and sofas. For very small rooms and low level expects, module 120 and Ceiling Solution speaker can be converted as minisubwoofers.

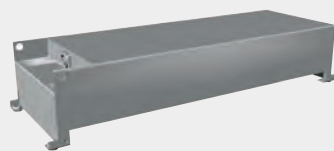
C. Associate the amplifier

Power your speakers and subwoofers through simple speaker cables with the kreon DIN-rail amplifiers. These highly miniaturized digital amplifiers allow you to connect any audio source and let you perfectly optimize your speakers with their digital signal processor (dsp). Simply choose the preset corresponding to your kreon speaker, and the amplifier will automatically compensate their frequency response. Each audio room is fitted with an amplifier, allowing independent listening. Depending on the number of speakers to power, choose between the minikreamp and the kreamp. For home cinema, simply wire the kreon speakers to a standard home cinema amplifier.

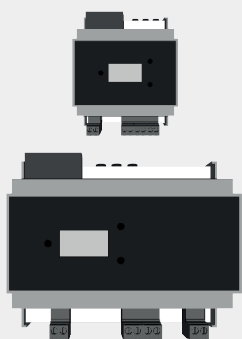
D. Add the optional BT Connect module ‡

If you need local connection by jack or Bluetooth, just add the Bluetooth Connect module . Easy to integrate in its standard 80x80mm switch format, simply wire it to the amplifier by a RJ45 cable (up to 100m).

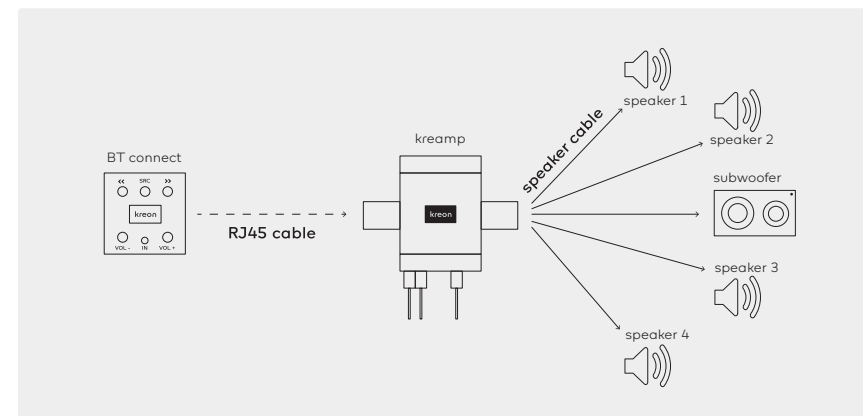
B. Add a subwoofer when needed



C. Associate the amplifier



D. Add the optional BT Connect module ‡



Speakers/subwoofers configurator

Room	Size	module 80	module 120	nuit ②	cadre	ceiling solution
Living room	S < 30m²	2 + 1 sub	2 ①	8 + 1 sub	1 + 1 sub	2
	30m² < S < 60m²	4 + 2 sub	4 ①	16 + 2 sub	x	4
	60m² < S < 100m²	8 + 4 sub	8 ①	x	x	8
Bath Dressing Toilets	S < 15m²	1	1	2 + minisub	x	1
	15m² > S	2	1 or 2	4 + minisub	x	1
Bedroom (incl. hotel)	S < 20m²	2	2	2 + minisub	1 + minisub	2
	20m² < S < 40m²	2 + 1 sub	2 ①	8 + 1 sub	x	2
	40m² < S < 60m²	4 + 1 sub	4 ①	16 + 1 sub	x	4
Restaurant	S < 40m²	4 + 1 sub	4 ①	8 + 1 sub	1 + sub	2
	40m² < S < 80m²	8 + 2 sub	8 ①	16 + 2 sub	2 + 2 sub	4
	80m² < S < 120m²	16 + 4 sub	16 ①	32 + 2 sub	x	8

For kreon speakers (output speaker)

Speaker model	Impedance (Ω)	minikreamp	kreamp
module 80	4	1 to 2	4 to 16
module 120	8	1 to 2	4 to 16
nuit	6	1 to 8	8 to 16
cadre	2 x 4	1	1 to 2
ceiling solution	8	1 to 2	4 to 16

For kreon subwoofers (output sub)

Speaker model	Impedance (Ω)	minikreamp	kreamp
module 120	8	1	x
ceiling solution	8	1	x
Sub Gen2	8	1 ③	1 to 2

REMARKS

- ① Does not need a sub for background music/requires sub for loud music
- ② Only for background music.
- ③ Degraded mode: subwoofer will work at 50% power

kreon audio home cinema configurator

A. Choose your speaker



A. Choose your speaker

Except for kreon nuit, all kreon speakers can be used to build an elegant home-cinema: don't be fooled by their tiny size, they are able to reproduce very clear dialogs as well as loud explosions.

Carefully position your speakers according to the home-cinema standards :

- 2 left and right speakers, like a stereo system
- 1 center speaker, that reproduces the dialogs
- 2 (5.1) or 4 (7.1) speakers, that make the surround effects

B. Add a subwoofer when needed

Home cinema effects require a lot of energy in the lows, so a subwoofer is absolutely needed.

You have 2 possibilities:

- Invisible sub, integrated in furniture : use 1 ($40m^2$) or 2 (>math>40m^2</math>) kreon subwoofer(s) and power them through a kreamp amplifier.
- Free-standing subwoofer: Buy a home cinema active subwoofer of your choice and connect it directly to the home cinema receiver.

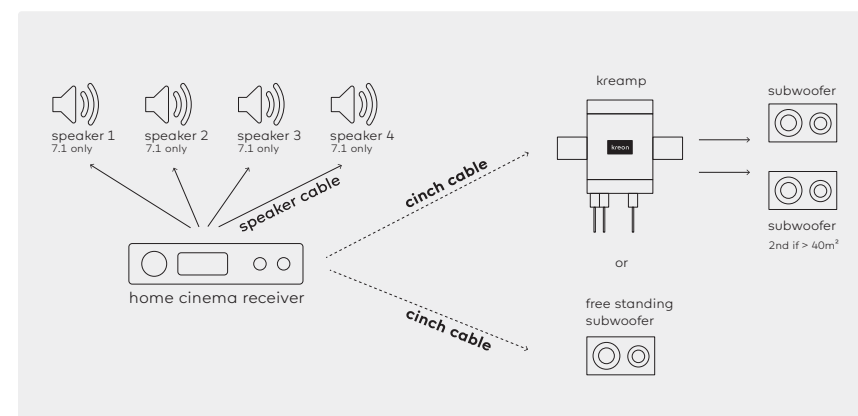
C. Associate the amplifier

Home cinema needs a special amplifier called 'home cinema receiver', able to decode the cinema sound effects (HD Master, Dolby Digital, DTS...). They can be found by any retailer. Any brand is compatible, since their configuration menus all offer the possibility to set the speakers as 'small'. Their tiny size is then taken into account by the amplifier, which automatically routes the lows to the subwoofer. Very few amplifiers have a sixth amplified output, that allows to directly wire a kreon passive subwoofer. This allows to build an economical small system by getting rid of the kreamp - please ask for compatible models.

B. Add a subwoofer when needed



C. Associate the amplifier



Speakers/subwoofers configurator

	Size	module 80	module 120	nuit ❶	cadre	ceiling solution
Home cinema	S < 40m ²	5 or 7 + sub	5 or 7 + HC sub	x	1 as rear speakers only	5 or 7 + HC sub
	30m ² >S	4 as rear speakers only	5 or 7 + HC sub	x	1 as rear speakers only	5 or 7 + HC sub

For kreon speakers (output speaker)

Speaker model	Impedance (Ω)	minikreamp	kreamp
module 80	4	1 to 2	4 to 16
module 120	8	1 to 2	4 to 16
nuit	6	1 to 8	8 to 16
cadre	2 x 4	1	1 to 2
ceiling solution	8	1 to 2	4 to 16

For kreon subwoofers (output sub)

Speaker model	Impedance (Ω)	minikreamp	kreamp
module 120	8	1	x
ceiling solution	8	1	x
Sub Gen2	8	1 ❷	1 to 2

REMARKS

- ❶ Only for background music.
- ❷ Degraded mode: subwoofer will work at 50% power

kreon introduces Casambi Wireless Control Dimming. Every occasion asks for a comfortable and harmonious lighting mood and it is now possible to control and manage a lineup of kreon luminaires with just your mobile device.


Casambi is a wireless dimming solution that enables you to control and operate a selection of luminaires via Bluetooth. This Low Energy, state-of-the-art technology can now be used on multiple kreon products. Create scenarios, define groups and experiment with the balance of architectural lighting, all by using the Casambi App.

The Casambi solution is based on Bluetooth Low Energy. Making it an established and future-proof low power radio technology.

[↑ back to table of content](#)

The app is free to download from Google Play and Apple App Store.

 Google play (Android)

 App store (IOS)



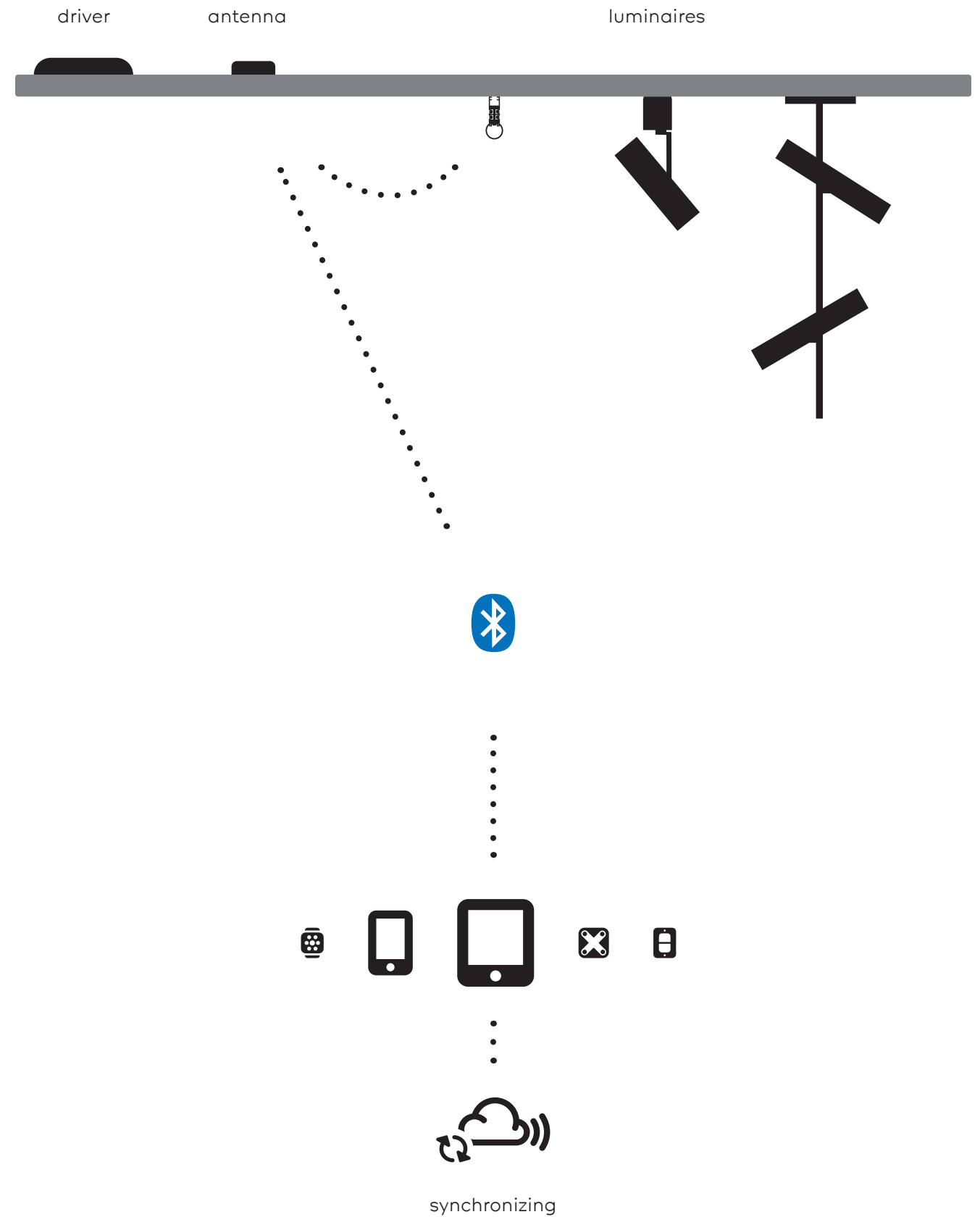
kreon casambi

how it works

The Casambi technology can be used in both the luminaires and the LED drivers as well as in the LED modules. This makes the technology easy to install and requires very little additional hardware.

The Casambi technology provides a mesh network where all the data of the system is being reiterated in each individual node. This means that there will be no interference.

- Dim the lighting
- Group luminaires
- Configure, save and recall scenes
- Configure, save and recall animations
- Use the schedule to recall scenes or animations based on time and date
- Adjust colours
- Adjust colour temperatures
- Use motion sensors
- Take pictures of your spaces and add lighting control directly to your picture
- Take sunrise and sunset into account while defining timers
- Get status information from the system
- Update the firmware over-the-air



kreon casambi step-by-step


Project private residence
Location Luxembourg

Architect Victoria Kotkalo
Photographer Serge Brison


1. Download the app from Apple App Store or Google Play Store 

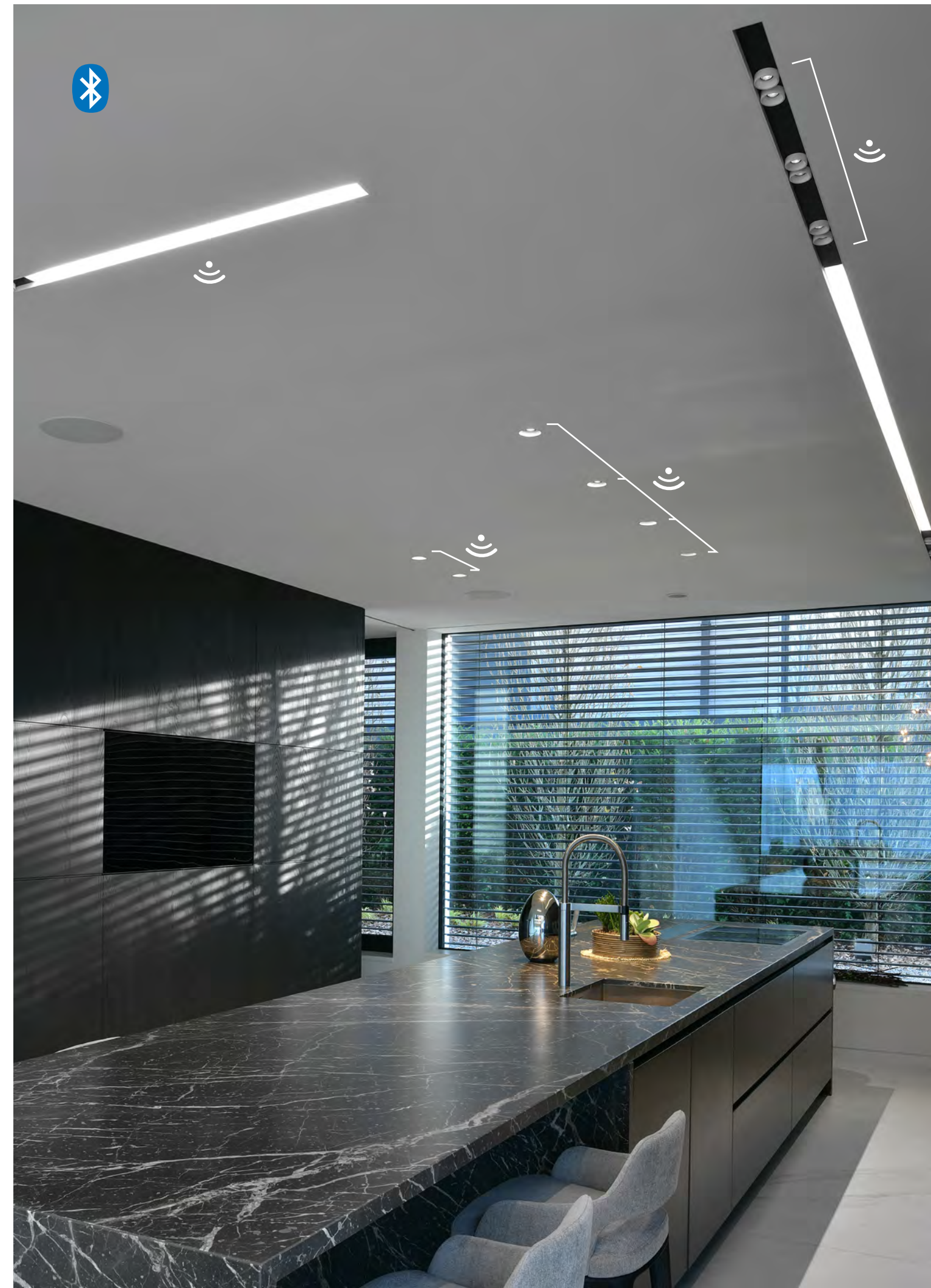
2. Switch on your Casambi enabled luminaires 

3. Open the app 

4. The app will automatically find all Casambi enabled luminaires that are switched on 

5. Select 'Take all luminaires into use' 

6. The app will automatically add all of the located luminaires to one network and open the 'Luminaires' tab 



kreon casambi functionalities

light colour

A luminaire manufacturer can define the limits of the Casambi Ready luminaires's colour range beforehand. Users can change the colour in a simple manner from the app and also save their favorite colours in a colour palette.

light temperature

A luminaire manufacturer can define the limits of the Casambi Ready Tunable White luminaire beforehand so it appears with the correct levels in the Casambi App. A user can change in a simple manner the colour temperature for the luminaire just by sliding the finger on top of a luminaire icon.

grouping

Grouping works with the same gestures as combining apps in your smart device. After doing this, all the luminaires in the group can be controlled all together or they can be opened for individual control.

gallery

Casambi's unique gallery feature makes control more intuitive than ever. Users simply take photos of a space, or upload a floor plan to the app, and mark the positions of the luminaires. The images then appear in a gallery in the app, with luminaires shown, and users simply tap the one they want to control.

scenes

Different lighting situations for different occasions can be created. It is possible to control multiple luminaires with one tap to create the perfect ambience for different occasions and needs. One luminaire can be used in several scenes.



kreon casambi power supplies



	KR-code	60W Output power	120W Output power	24-48VDC Output voltage	2500 2500mA	5000 5000mA	Width (mm)	Height (mm)	Depth (mm)
power supply, 60W	<u>KR772074</u>	●		●	●		53	35	150
power supply, 120W	<u>KR772274</u>		●	●	●		63	37,5	191

REMARKS

IP67

kreon casambi LED drivers

LED driver, 300mA - 350mA



LED driver, 500mA - 700mA - 1050mA



	KR-code	16W Output power	18,5W Output power	27W Output power	36W Output power	37W Output power	300 Output current 300mA	350 Output current 350mA	500 Output current 500mA	700 Output current 700mA	1050 Output current 1050mA	Width (mm)	Height (mm)	Depth (mm)
LED driver, 300mA	<u>KR772209</u>	●					●					44	30	146,5
LED driver, 350mA	<u>KR772219</u>		●					●				44	30	146,5
LED driver, 500mA	<u>KR772229</u>			●					●			43	30	97
LED driver, 700mA	<u>KR772239</u>				●					●		43	30	97
LED driver, 1050mA	<u>KR772249</u>					●					●	43	30	97

kreon casambi DALI gateways



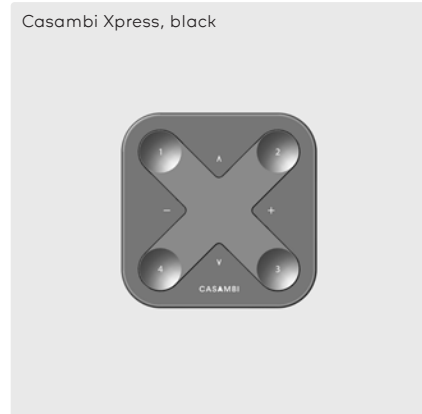
Casambi DALI gateway ① ②

Colour	KR-code	24-48VDC Output voltage	8W Power consumption	180 Output Dali current 180mA	Width (mm)	Height (mm)	Depth (mm)
○	KR762171	●	●	●	18	58.1	142.6
●	KR762172	●	●	●	18	58.1	142.6

REMARKS

- ① Fused and protected against voltage peaks.
- ② Allows for the connection of up to 64 DALI lamps (control gear), assigning them to up to 8 groups.

kreon casambi Xpress

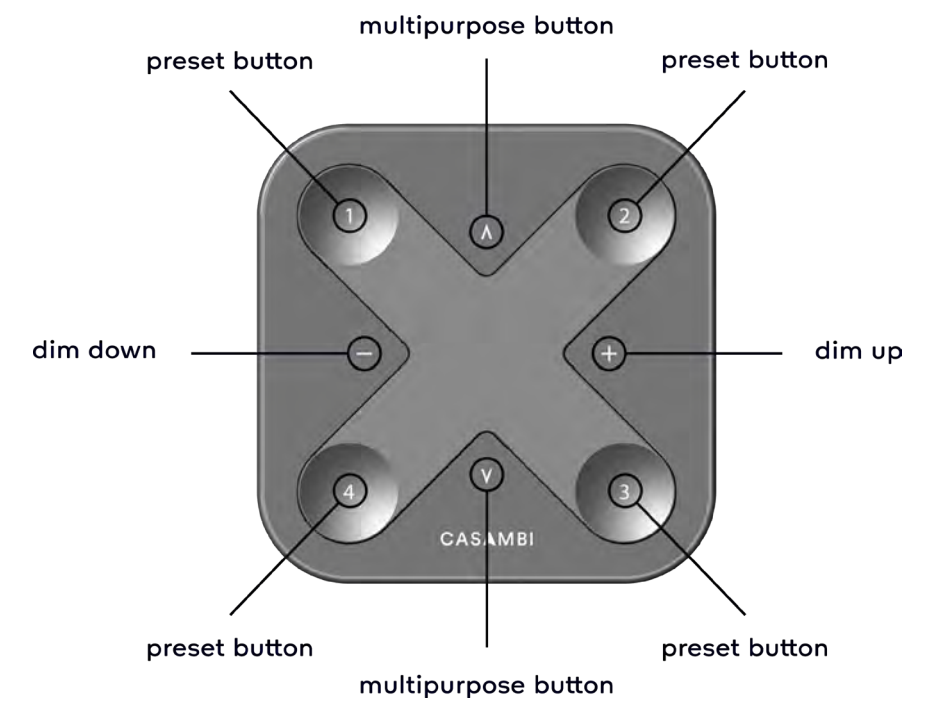


Casambi Xpress ① ②

Colour	KR-code	BATTERY CR2430 Lithium coin cell ③	Width (mm)	Height (mm)	Depth (mm)
○	KR762971	●	90	90	12
●	KR762972	●	90	90	12

REMARKS

- ① Range: 50 meters in open air.
- ② The preset buttons of Xpress can be configured via the Casambi app. A light indicates the selected preset.
- ③ Battery lifetime of 2-5 years, depending on usage.



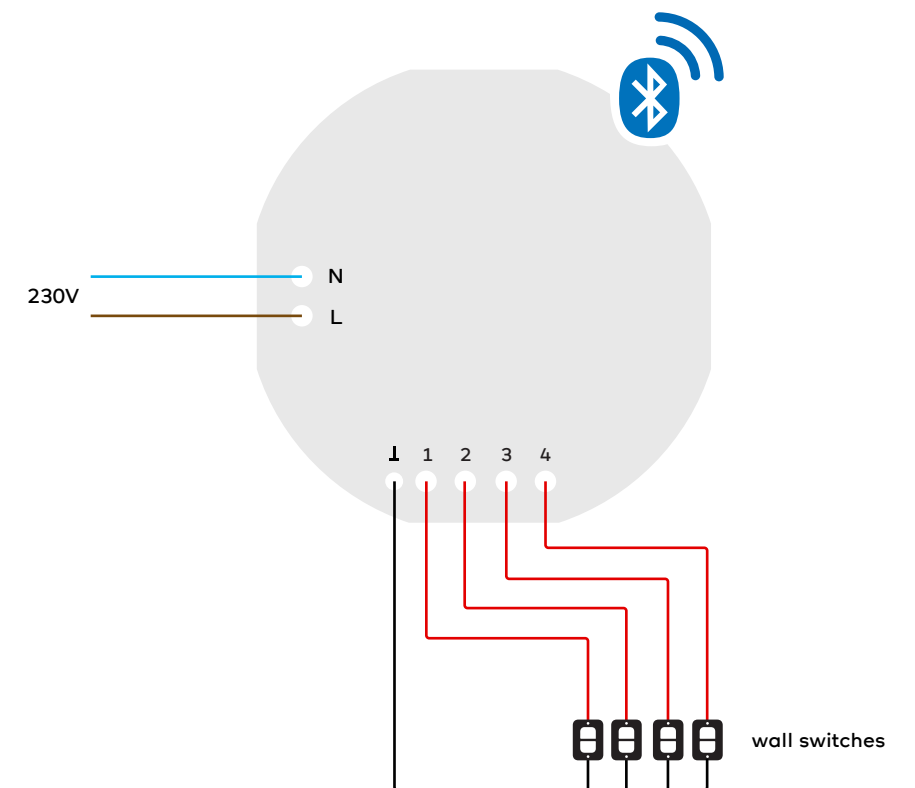
kreon casambi

4-way push button



4-way push button ① ②

KR-code	220V-240V Supply input ③	10 Power consumption max.10mA	4 Number of button inputs ④	Diameter (mm)	Depth (mm)
<u>KR762870</u>	●	●	●	53	21



REMARKS

- ① The ambient temperature should always be between 0°C and 55°C.
- ② Suitable for installation in a flush-mounted box.
- ③ Buttons must be insulated according to the supply voltage.
- ④ The maximum cable length of the button connections is 30cm.

kreon controlling devices

Casambi offers a big variety of possibilities for a user to interact with the lighting depending on the user's individual requirements. The app for smartphones, tablets and smartwatches is the most elaborated user interface. Besides the app, traditional wall switches, push buttons, Casambi's own scene controllers and many other control points can be used.

Casambi app

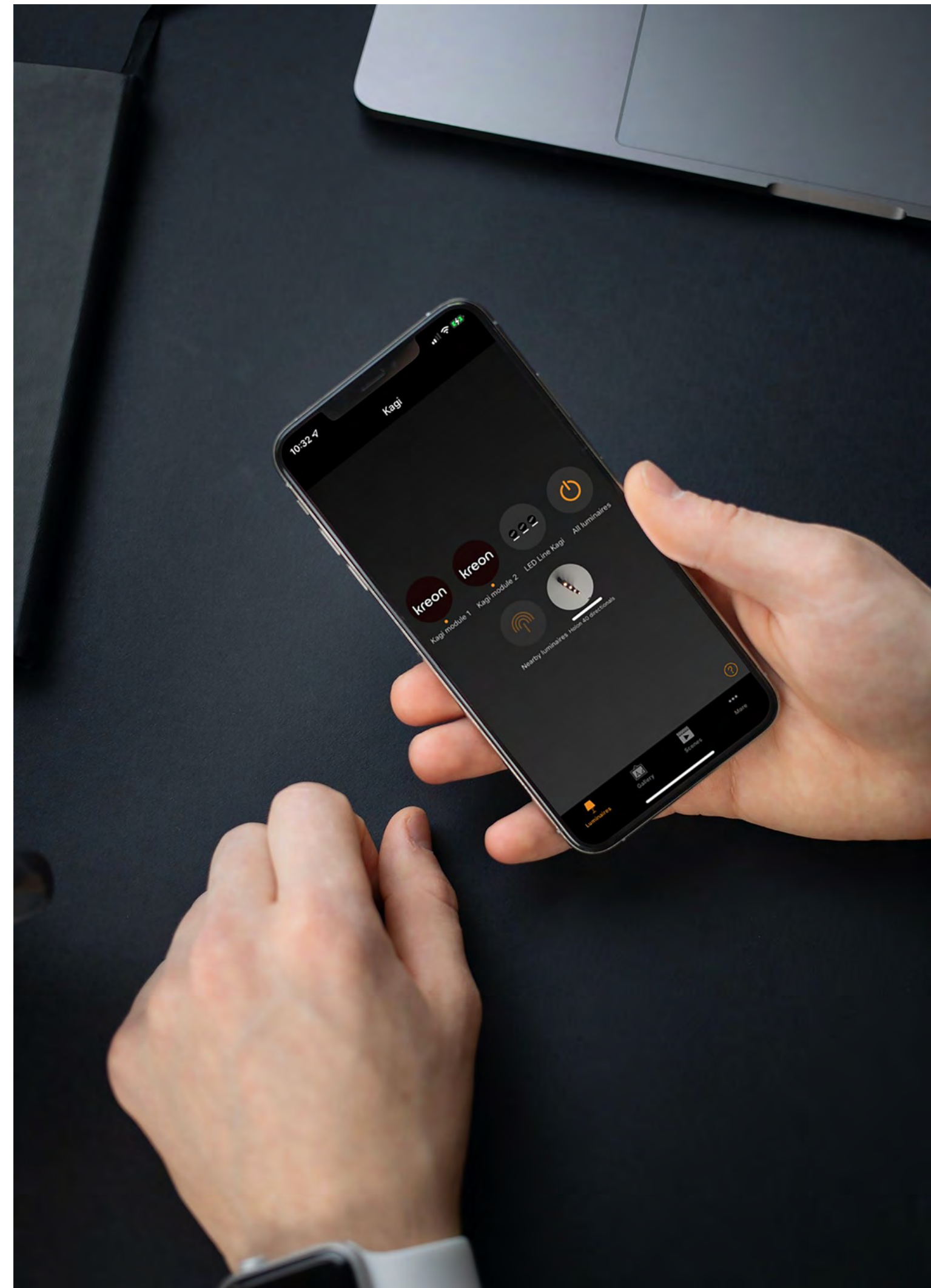
Casambi's app is designed to make it easy for anyone to commission and control lighting. The app employs intuitive gesture control: tap a luminaire to turn it on or off, swipe side-to-side to adjust brightness, up and down for colour temperature, or hold to change the colour. The unique gallery feature even lets users upload their own photos of space, mark the positions of the luminaires and use this to select and control them.

Xpress

Casambi's Xpress wireless controller can be configured to control luminaires wirelessly, dimming up and down or changing the colour temperature or balance of direct and indirect illumination. The Xpress controller can be conveniently stored on a magnetic wall-mounted plate and removed when needed.

wall switch

A small controller that can be cleverly placed inside a wall mounted push button box. This controller can be connected to a wall switch that features up to 4 push buttons allowing direct access to all the important Casambi lighting control functionalities. It creates flexibility to interior design and communication between Casambi's devices.



kreon wiring and dimming

Wiring and dimming

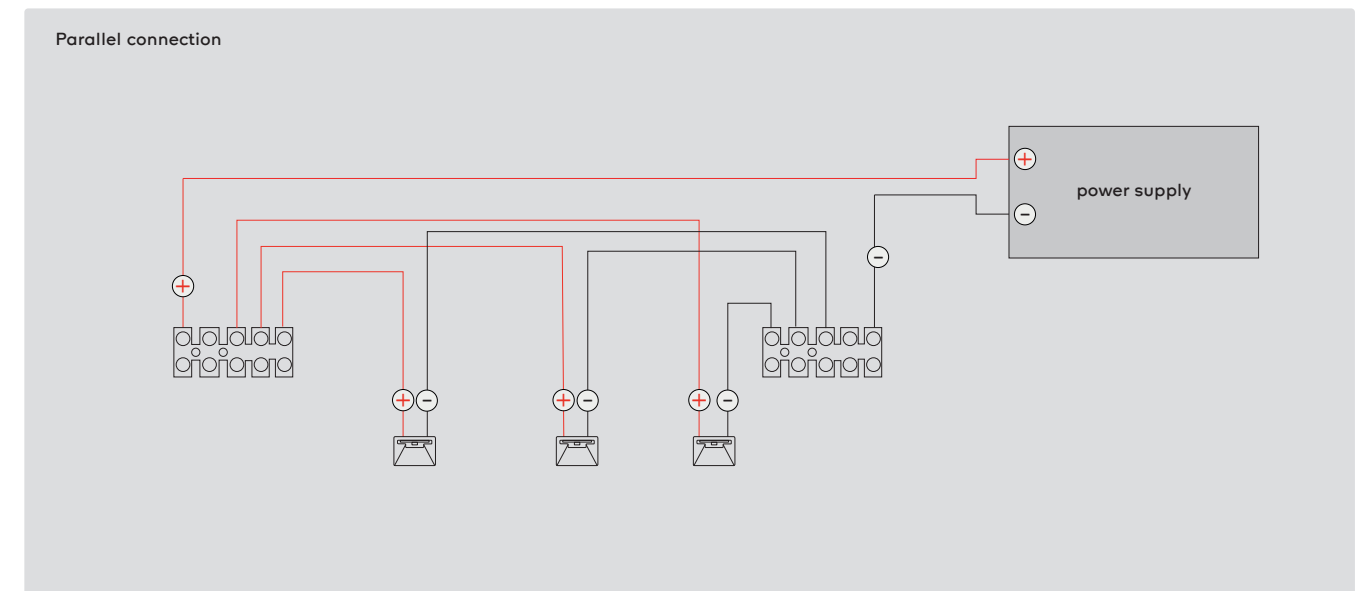
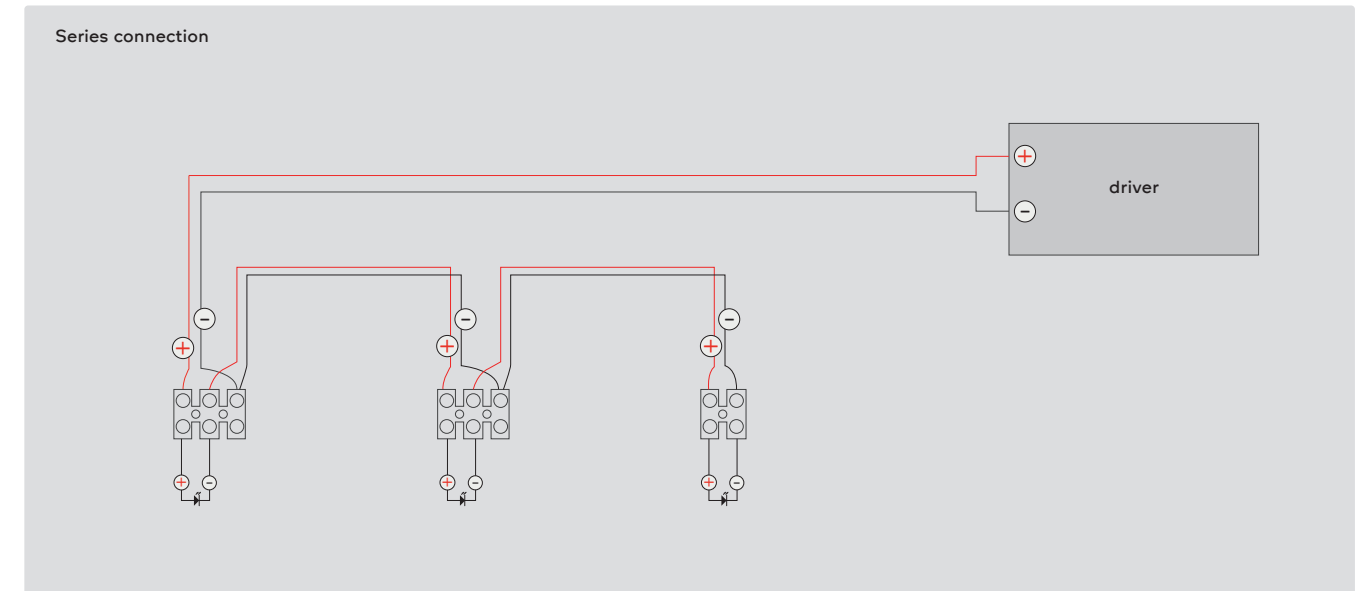
Many lighting applications require dimming capabilities, some because of the need for different mood settings, like in restaurants or residential environments, some because of the need for better energy consumption.

Nearly all kreon tools of light can be dimmed. We offer following dimming options either pre-assembled or to be ordered separately:

- 0-10V
- 1-10V
- DALI / DALI 2
- Touch dim
- Phase dim
- DMX
- Casambi (see pages 562)

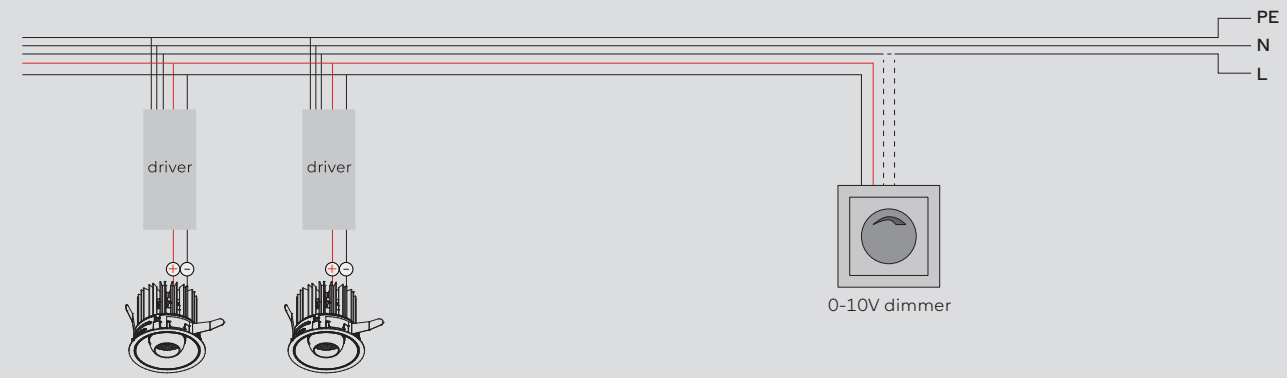
Please consult following schemes for correct wiring and/or dimming of our kreon tools of light fixtures. For additional information go to www.kreon.com or contact your local kreon support team.

↑ back to [table of content](#)



kreon wiring and dimming

0-10V dimming



Be aware: always check the driver specifications!

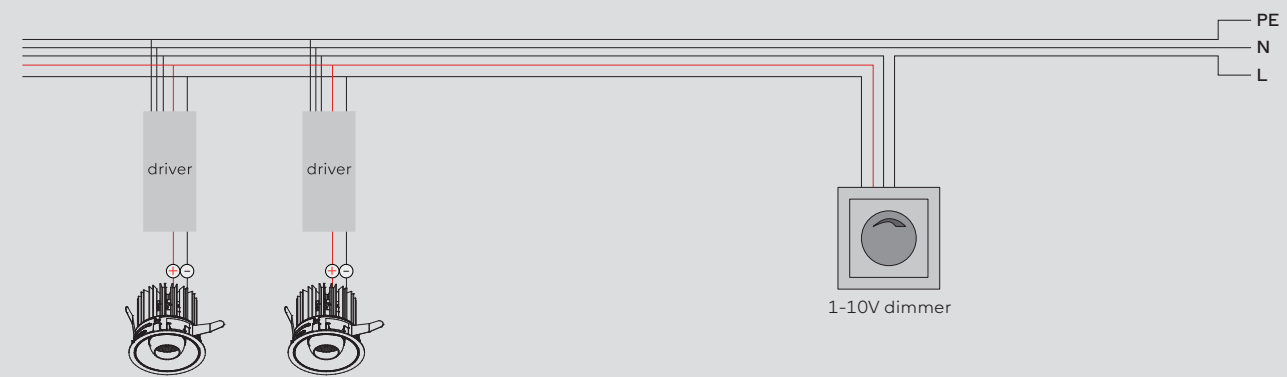
DALI dimming



Some products are available with DALI 2. Check product specifications.

Be aware: always check the driver specifications!

1-10V dimming



Be aware: always check the driver specifications!

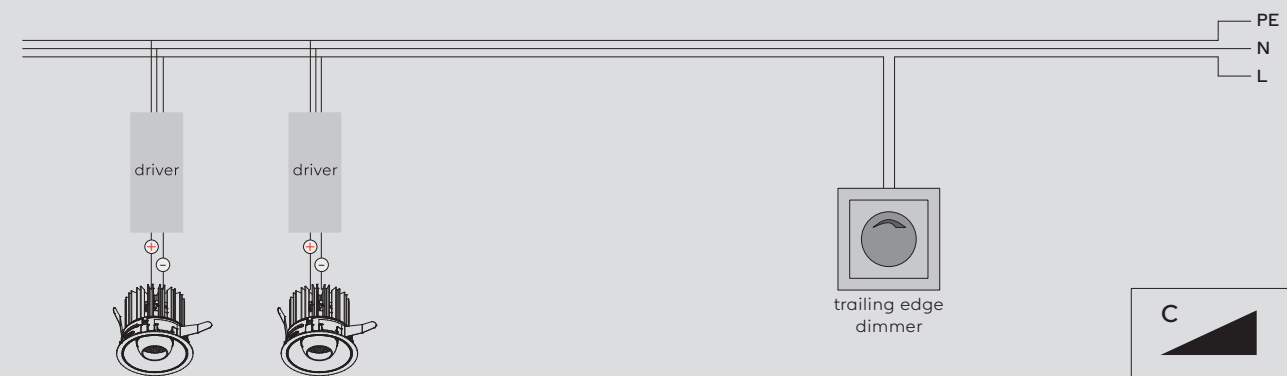
Touchdim



Be aware DALI ≠ Touchdim

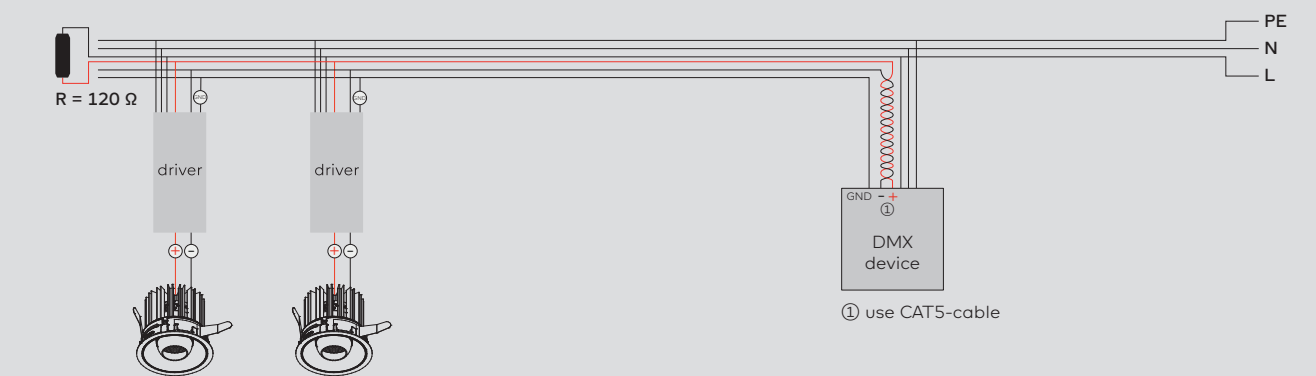
Be aware: always check the driver specifications! Watch out for asynchronous behavior. Some drivers have the option to connect a syncro cable.

phase dim / trailing edge



Be aware: always check the driver specifications!

DMX



① use CAT5-cable

Be aware: always check the driver specifications!

Draw attention to the wall

Wallwashing or vertical illumination is a key element in modern light planning and puts the emphasis on walls. Depending on the type and position of luminaire used, vertical illumination can bring out material, texture and colour of these walls.

In projects where attention is given to sustainability, vertical illumination offers a solution to illuminate a room with less energy. The human vista spreads mainly in the horizontal plane. The ratio of our horizontal to vertical is approximately 1.75:1. This means that we can give more attention to things located in front and around us than above or below us. When we translate these findings into architecture, we can say that the main part of our vision contains walls. This explains why well illuminated walls become the most dominant elements of architecture.

When carefully planned, an illuminated wall generates a brighter, stronger visual impact of the same space. This impact can be strictly architectural, or can draw attention to objects positioned on this wall (eg. shop-lighting, art, museum).

A proper use of light will reveal architecture and space. By revealing surfaces we can define boundaries or add volume. To reach these effects, kreon offers a variety of vertical illumination products. Each type has its own characteristics, but are all designed with the same philosophy. kreon tools of light represent architecture in a way that the lighting is not necessarily noticed, but the forms of space are.

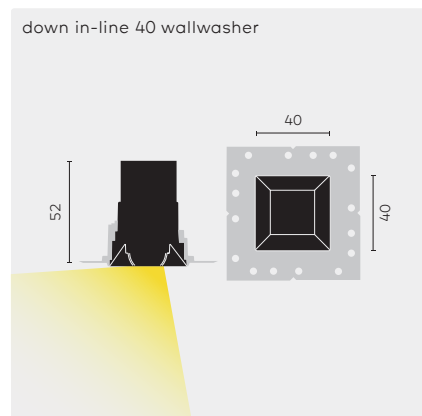
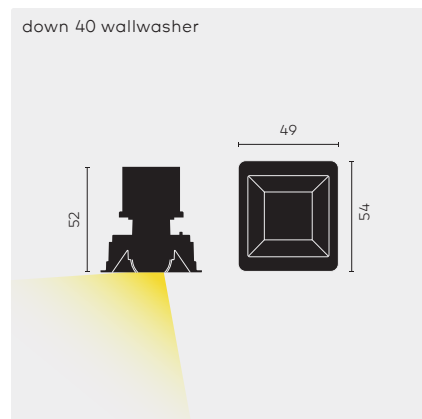
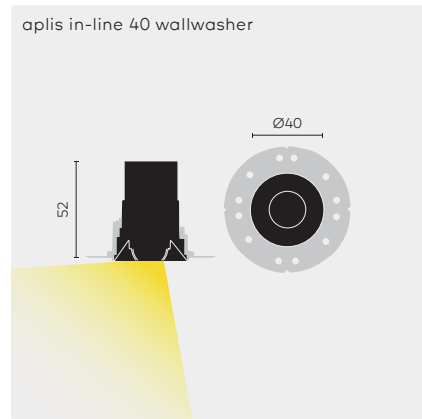
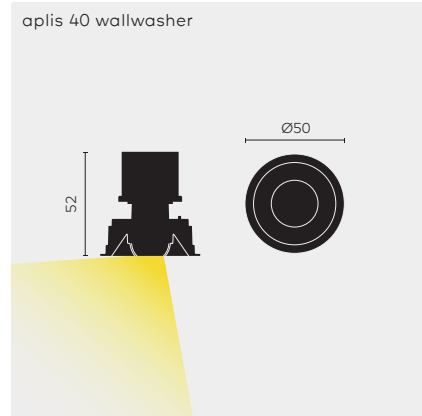
For an optimal wallwashing effect, the spacing between individual wallwashing fixtures should be equal to the distance these fixtures are placed away from the wall. Linear wallwashers are best placed between 90 and 110 cm from the wall according the type of profile.

Following pages show the different kreon wallwashing products, how to position them and their measured outcome.

[↑ back to table of content](#)



kreon wallwashing



Module 40 wallwasher (A= 0.50m, B= 0.50m)

Module 40 wallwasher (A= 0.75m, B= 0.75m)

Module 40 wallwasher (A= 0.90m, B= 0.90m)

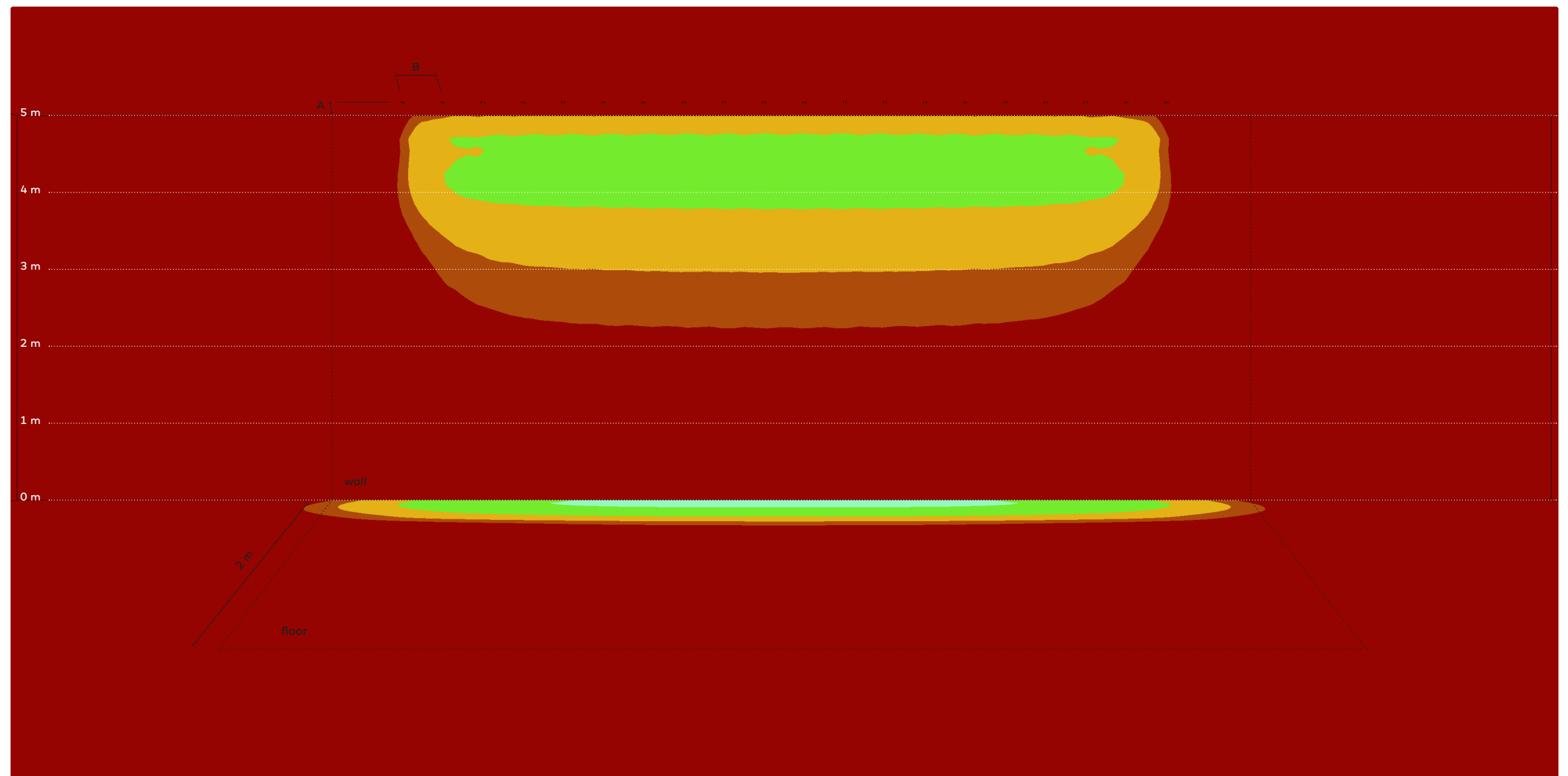
Module 40 wallwasher (A= 1.20m, B= 0.90m)

	0m	1m	2m	3m	4m	5m
Module 40 wallwasher (A= 0.50m, B= 0.50m)	11 lx (10 lx) [0.77]	11 lx (10 lx) [0.79]	14 lx (13 lx) [0.84]	21 lx (20 lx) [0.86]	33 lx (33 lx) [0.94]	35 lx (33 lx) [0.95]
Module 40 wallwasher (A= 0.75m, B= 0.75m)	8 lx (8 lx) [0.82]	9 lx (8 lx) [0.83]	10 lx (10 lx) [0.85]	13 lx (13 lx) [0.90]	15 lx (15 lx) [0.95]	14 lx (13 lx) [0.91]
Module 40 wallwasher (A= 0.90m, B= 0.90m)	7 lx (7 lx) [0.84]	7 lx (7 lx) [0.84]	8 lx (8 lx) [0.87]	10 lx (10 lx) [0.93]	11 lx (10 lx) [0.94]	9 lx (8 lx) [0.90]
Module 40 wallwasher (A= 1.20m, B= 0.90m)	7 lx (6 lx) [0.82]	7 lx (7 lx) [0.82]	8 lx (8 lx) [0.86]	9 lx (8 lx) [0.90]	8 lx (8 lx) [0.91]	6 lx (5 lx) [0.88]

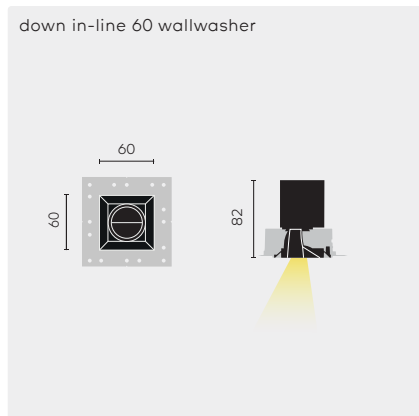
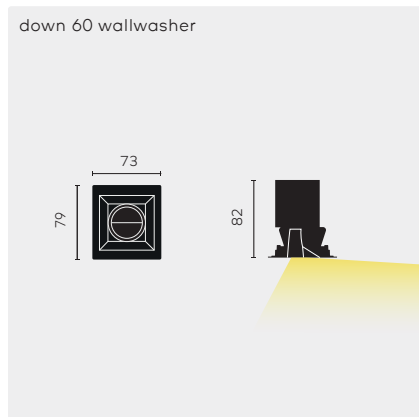
E_{max} (E_{av}) [illuminance uniformity]

Reflection values: wall=70%, ceiling=50%, floor=20%; maintenance factor 0.8

A=50; B=50



kreon wallwashing



Module 60 wallwasher (A= 0.50m, B= 0.50m)

Module 60 wallwasher (A= 0.75m, B= 0.75m)

Module 60 wallwasher (A= 0.90m, B= 0.90m)

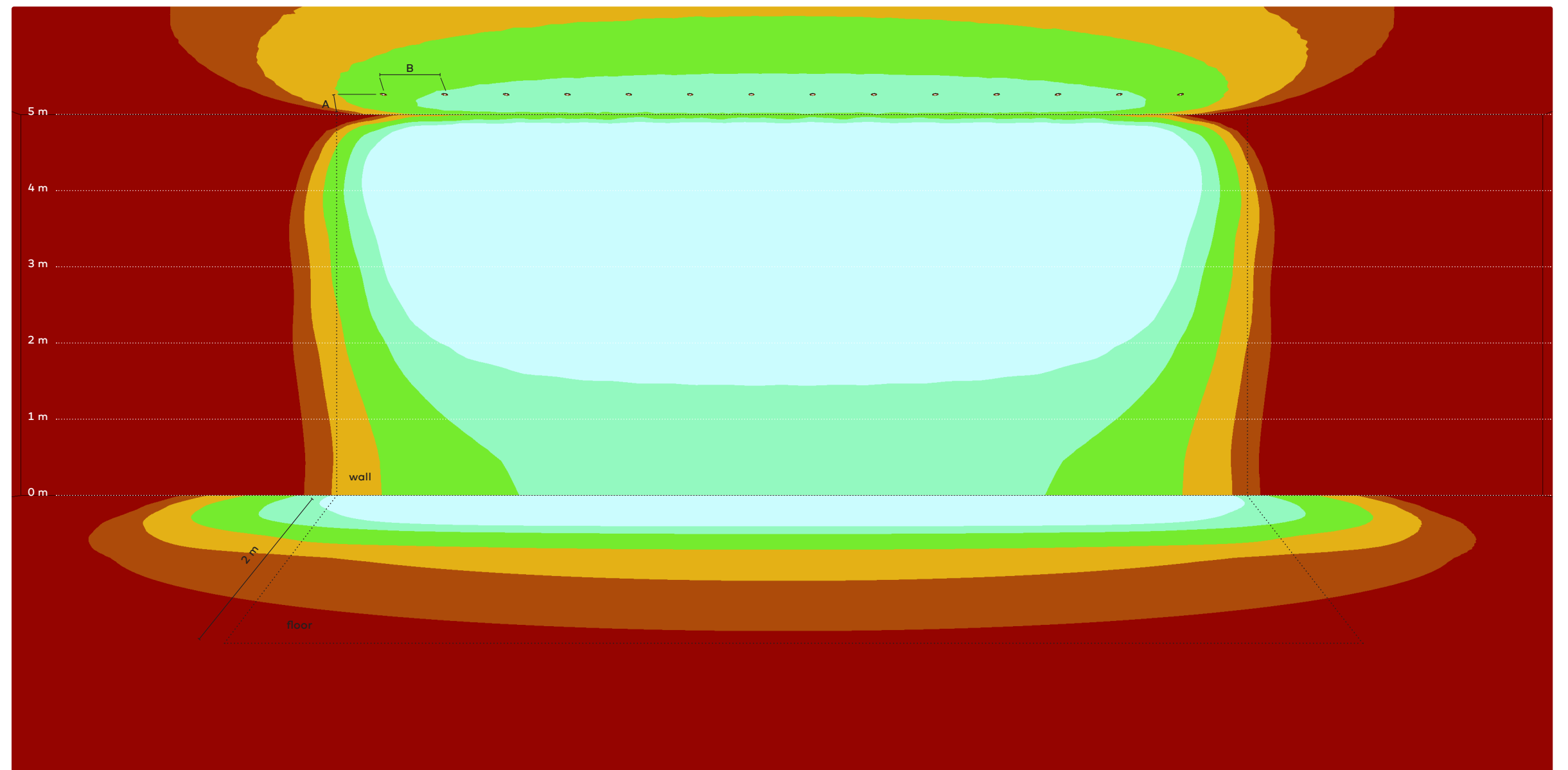
Module 60 wallwasher (A= 1.20m, B= 0.90m)

	0m	1m	2m	3m	4m	5m
Module 60 wallwasher (A= 0.50m, B= 0.50m)	67 lx (63 lx) [0.79]	72 lx (68 lx) [0.80]	108 lx (103 lx) [0.83]	209 lx (200 lx) [0.88]	400 lx (382 lx) [0.092]	363 lx (336 lx) [0.90]
Module 60 wallwasher (A= 0.75m, B= 0.75m)	59 lx (56 lx) [0.83]	66 lx (63 lx) [0.84]	98 lx (93 lx) [0.87]	148 lx (144 lx) [0.90]	210 lx (204 lx) [0.93]	130 lx (119 lx) [0.89]
Module 60 wallwasher (A= 0.90m, B= 0.90m)	56 lx (53 lx) [0.85]	63 lx (60 lx) [0.86]	87 lx (84 lx) [0.88]	120 lx (114 lx) [0.90]	151 lx (147 lx) [0.93]	81 lx (74 lx) [0.90]
Module 60 wallwasher (A= 1.20m, B= 0.90m)	65 lx (62 lx) [0.84]	72 lx (68 lx) [0.85]	85 lx (82 lx) [0.86]	104 lx (99 lx) [0.86]	112 lx (109 lx) [0.88]	51 lx (46 lx) [0.84]

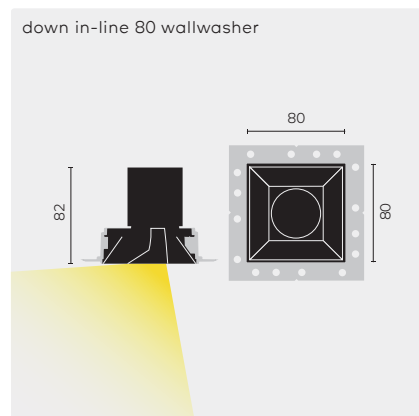
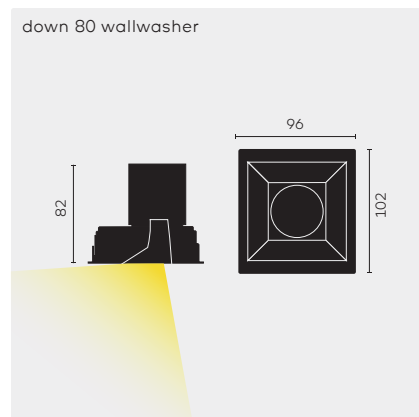
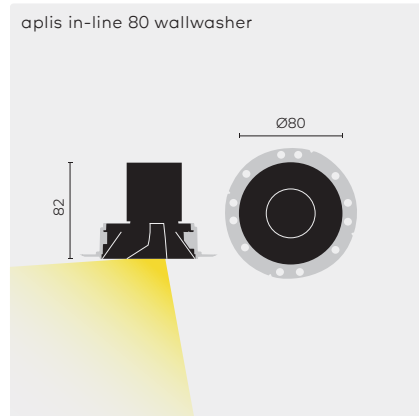
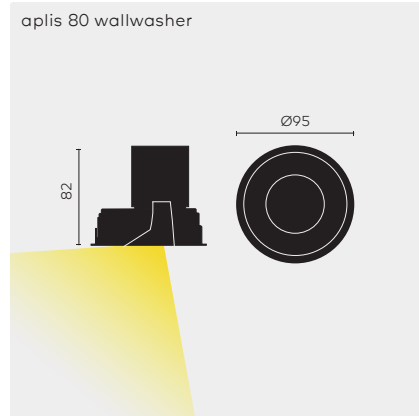
$E_{max}(E_{av})$ [illuminance uniformity]

Reflection values: wall=70%, ceiling=50%, floor=20%; maintenance factor 0.8

A=75; B=75



kreon wallwashing



Module 80 wallwasher (A= 0.50m, B= 0.50m)

Module 80 wallwasher (A= 0.75m, B= 0.75m)

Module 80 wallwasher (A= 0.90m, B= 0.90m)

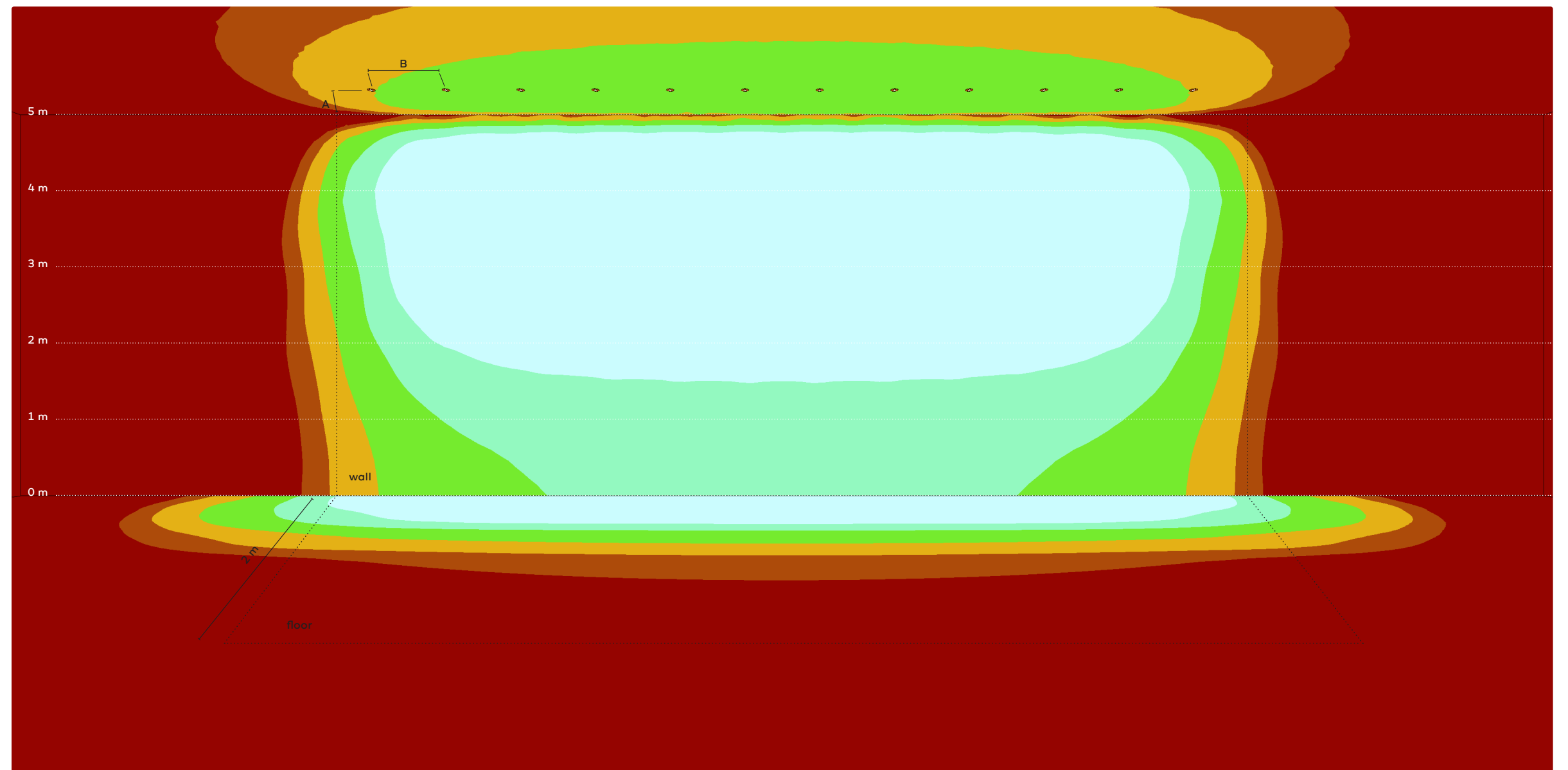
Module 80 wallwasher (A= 1.20m, B= 0.90m)

	0m	1m	2m	3m	4m	5m
Module 80 wallwasher (A= 0.50m, B= 0.50m)	65 lx (61 lx) [0.79]	70 lx (66 lx) [0.81]	108 lx (103 lx) [0.84]	219 lx (211 lx) [0.88]	422 lx (404 lx) [0.93]	327 lx (305 lx) [0.91]
Module 80 wallwasher (A= 0.75m, B= 0.75m)	58 lx (55 lx) [0.84]	67 lx (64 lx) [0.85]	102 lx (98 lx) [0.87]	162 lx (157 lx) [0.91]	213 lx (207 lx) [0.93]	116 lx (107 lx) [0.89]
Module 80 wallwasher (A= 0.90m, B= 0.90m)	56 lx (53 lx) [0.85]	65 lx (62 lx) [0.86]	94 lx (90 lx) [0.88]	128 lx (122 lx) [0.92]	150 lx (147 lx) [0.93]	72 lx (66 lx) [0.89]
Module 80 wallwasher (A= 1.20m, B= 0.90m)	68 lx (65 lx) [0.85]	76 lx (73 lx) [0.85]	92 lx (88 lx) [0.86]	107 lx (102 lx) [0.87]	110 lx (106 lx) [0.88]	45 lx (42 lx) [0.84]

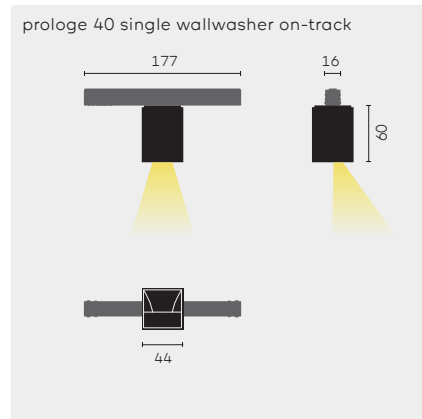
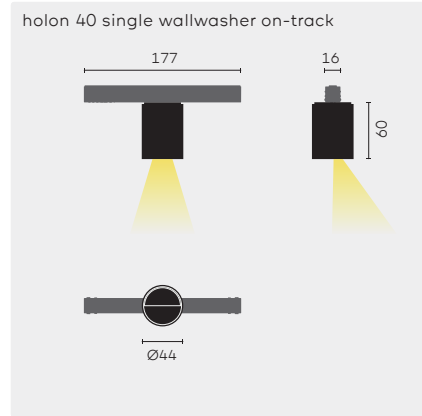
$E_{max}(E_{av})$ [illuminance uniformity]

Reflection values: wall=70%, ceiling=50%, floor=20%; maintenance factor 0.8

A=90; B=90



kreon wallwashing

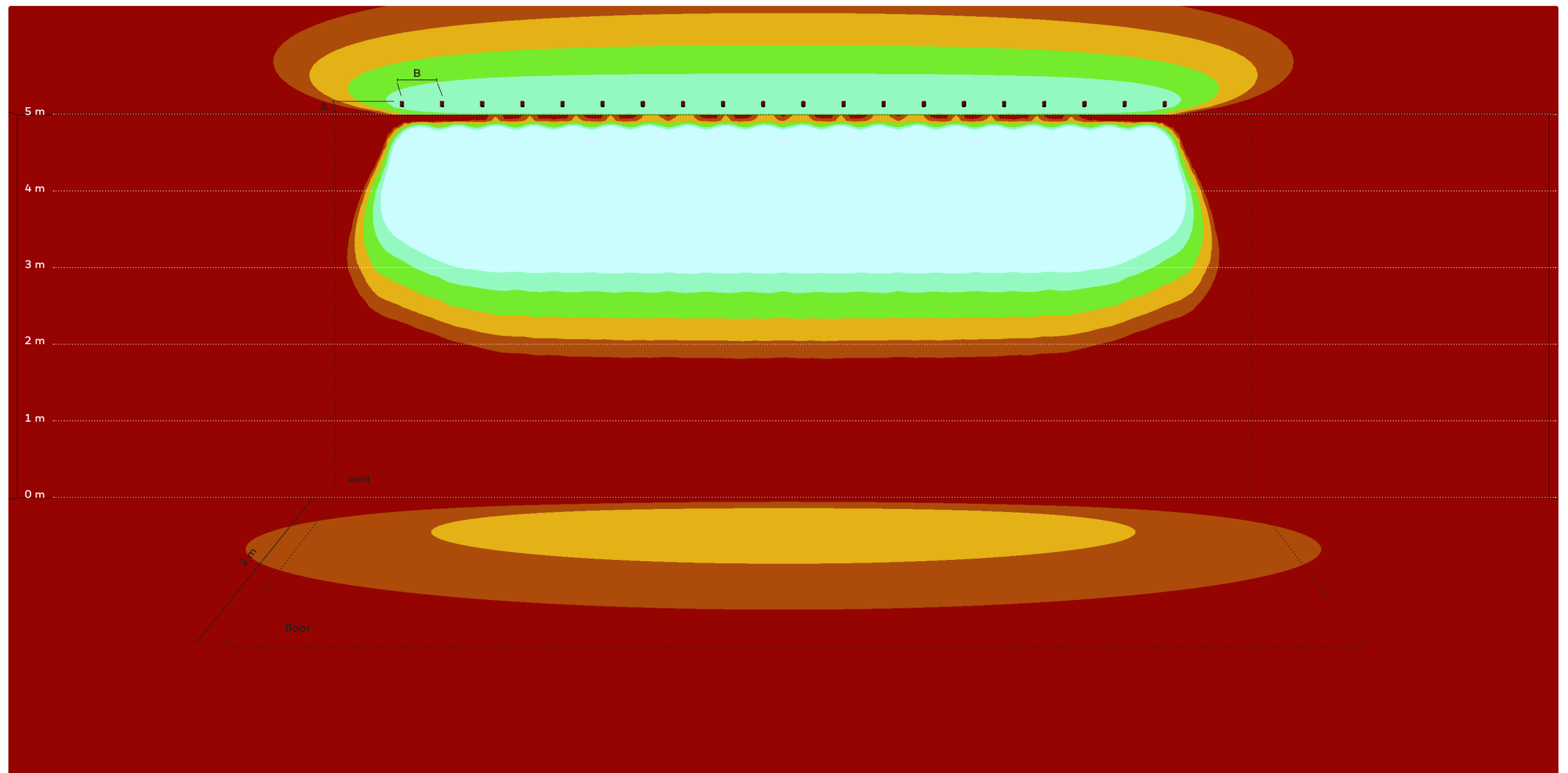


	0m	1m	2m	3m	4m	5m
Module 40 wallwasher on 48V track, recessed mounted (A= 0.50m, B= 0.50m)	7 lx (6 lx) [0.85]	10 lx (9 lx) [0.81]	21 lx (20 lx) [0.78]	83 lx (79 lx) [0.87]	344 lx (325 lx) [0.93]	131 lx (92 lx) [0.61]
Module 40 wallwasher on 48V track, recessed mounted (A= 0.75m, B= 0.75m)	15 lx (14 lx) [0.85]	15 lx (14 lx) [0.81]	38 lx (36 lx) [0.86]	100 lx (97 lx) [0.94]	34 lx (22 lx) [0.62]	8 lx (8 lx) [0.81]
Module 40 wallwasher on 48V track, recessed mounted (A= 0.90m, B= 0.90m)	11 lx (10 lx) [0.82]	19 lx (18 lx) [0.84]	44 lx (42 lx) [0.89]	94 lx (90 lx) [0.95]	132 lx (129 lx) [0.97]	16 lx (11 lx) [0.79]
Module 40 wallwasher on 48V track, recessed mounted (A= 1.20m, B= 0.90m)	11 lx (10 lx) [0.82]	34 lx (32 lx) [0.82]	59 lx (57 lx) [0.89]	91 lx (89 lx) [0.96]	97 lx (95 lx) [0.98]	8 lx (7 lx) [0.88]

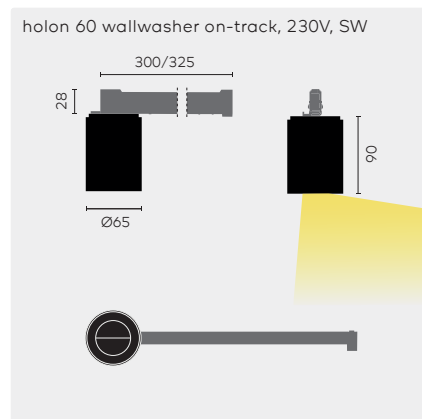
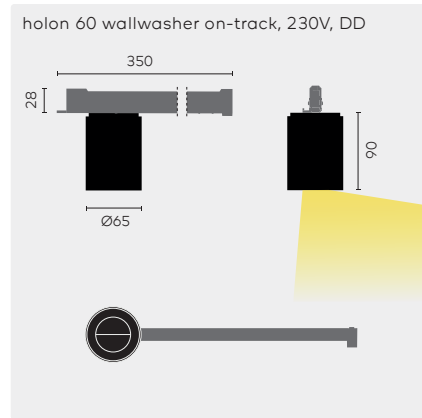
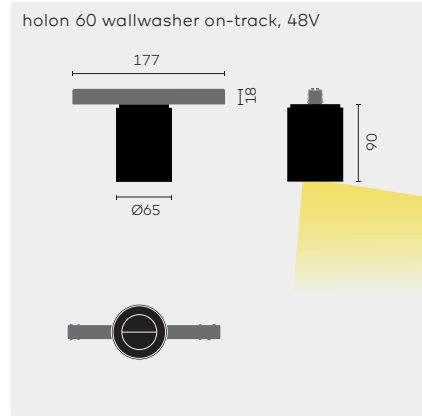
E_{max} (E_{av}) [illuminance uniformity]

Reflection values: wall=70%, ceiling=50%, floor=20%; maintenance factor 0.8

A=50; B=50



kreon wallwashing



Module 60 wallwasher on-track, recessed mounted (A= 0.50m, B= 0.50m)

Module 60 wallwasher on-track, recessed mounted (A= 0.75m, B= 0.75m)

Module 60 wallwasher on-track, recessed mounted (A= 0.90m, B= 0.90m)

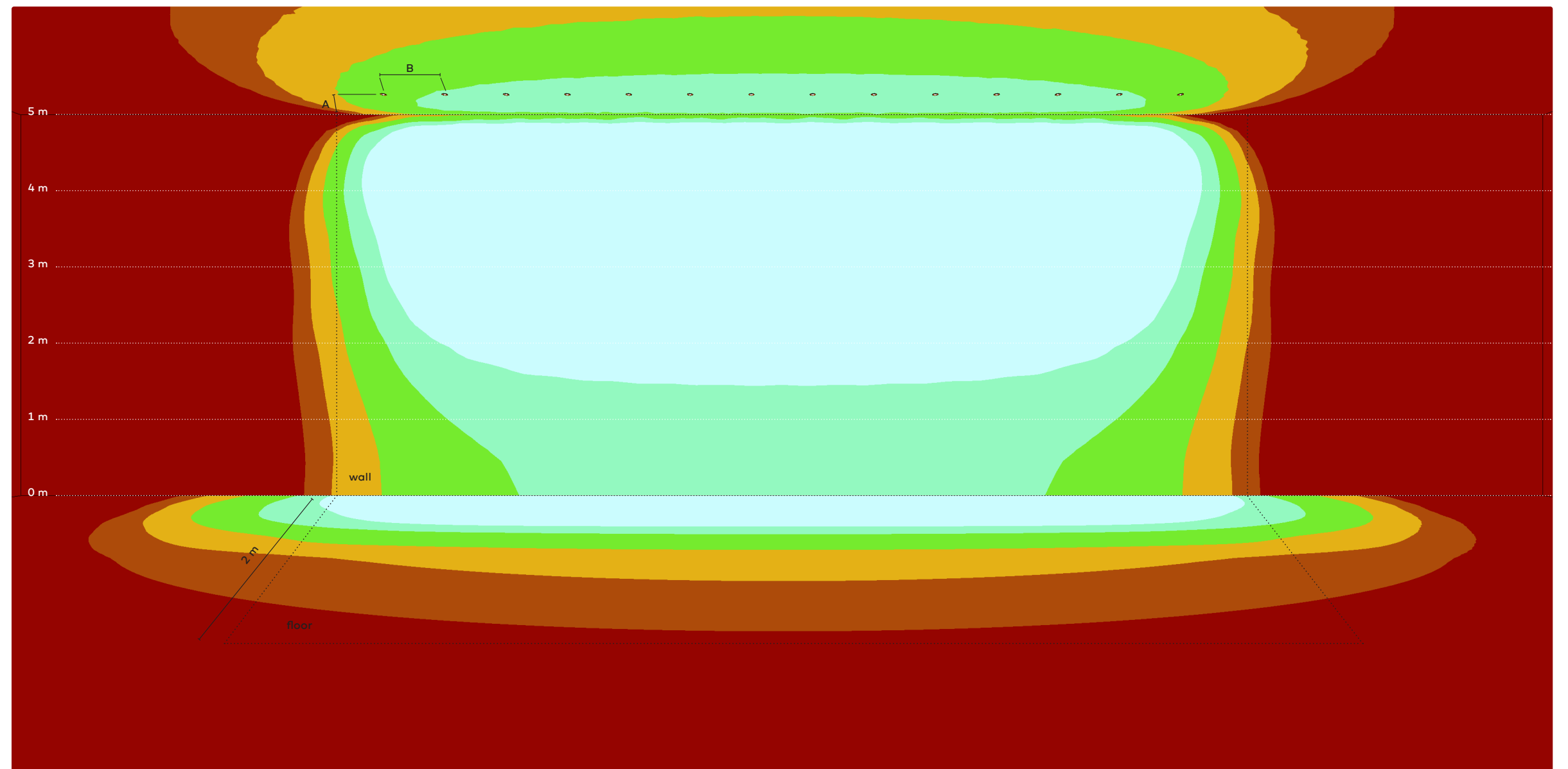
Module 60 wallwasher on-track, recessed mounted (A= 1.20m, B= 0.90m)

	0m	1m	2m	3m	4m	5m
Module 60 wallwasher on-track, recessed mounted (A= 0.50m, B= 0.50m)	67 lx (63 lx) [0.79]	72 lx (68 lx) [0.80]	108 lx (103 lx) [0.83]	209 lx (200 lx) [0.88]	400 lx (382 lx) [0.092]	363 lx (336 lx) [0.90]
Module 60 wallwasher on-track, recessed mounted (A= 0.75m, B= 0.75m)	59 lx (56 lx) [0.83]	66 lx (63 lx) [0.84]	98 lx (93 lx) [0.87]	148 lx (144 lx) [0.90]	210 lx (204 lx) [0.93]	130 lx (119 lx) [0.89]
Module 60 wallwasher on-track, recessed mounted (A= 0.90m, B= 0.90m)	56 lx (53 lx) [0.85]	63 lx (60 lx) [0.86]	87 lx (84 lx) [0.88]	120 lx (114 lx) [0.90]	151 lx (147 lx) [0.93]	81 lx (74 lx) [0.90]
Module 60 wallwasher on-track, recessed mounted (A= 1.20m, B= 0.90m)	65 lx (62 lx) [0.84]	72 lx (68 lx) [0.85]	85 lx (82 lx) [0.86]	104 lx (99 lx) [0.86]	112 lx (109 lx) [0.88]	51 lx (46 lx) [0.84]

$E_{max}(E_{av})$ [illuminance uniformity]

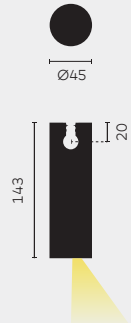
Reflection values: wall=70%, ceiling=50%, floor=20%; maintenance factor 0.8

A=75; B=75

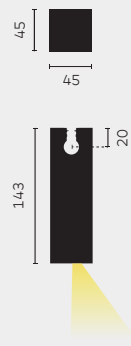


kreon wallwashing

holon 40 on-kagi wallwasher, level 1



prologe 40 on-kagi wallwasher, level 1



Module 40 on-kagi wallwasher (A= 0.50m, B= 0.50m)

Module 40 on-kagi wallwasher (A= 0.75m, B= 0.75m)

Module 40 on-kagi wallwasher (A= 0.90m, B= 0.90m)

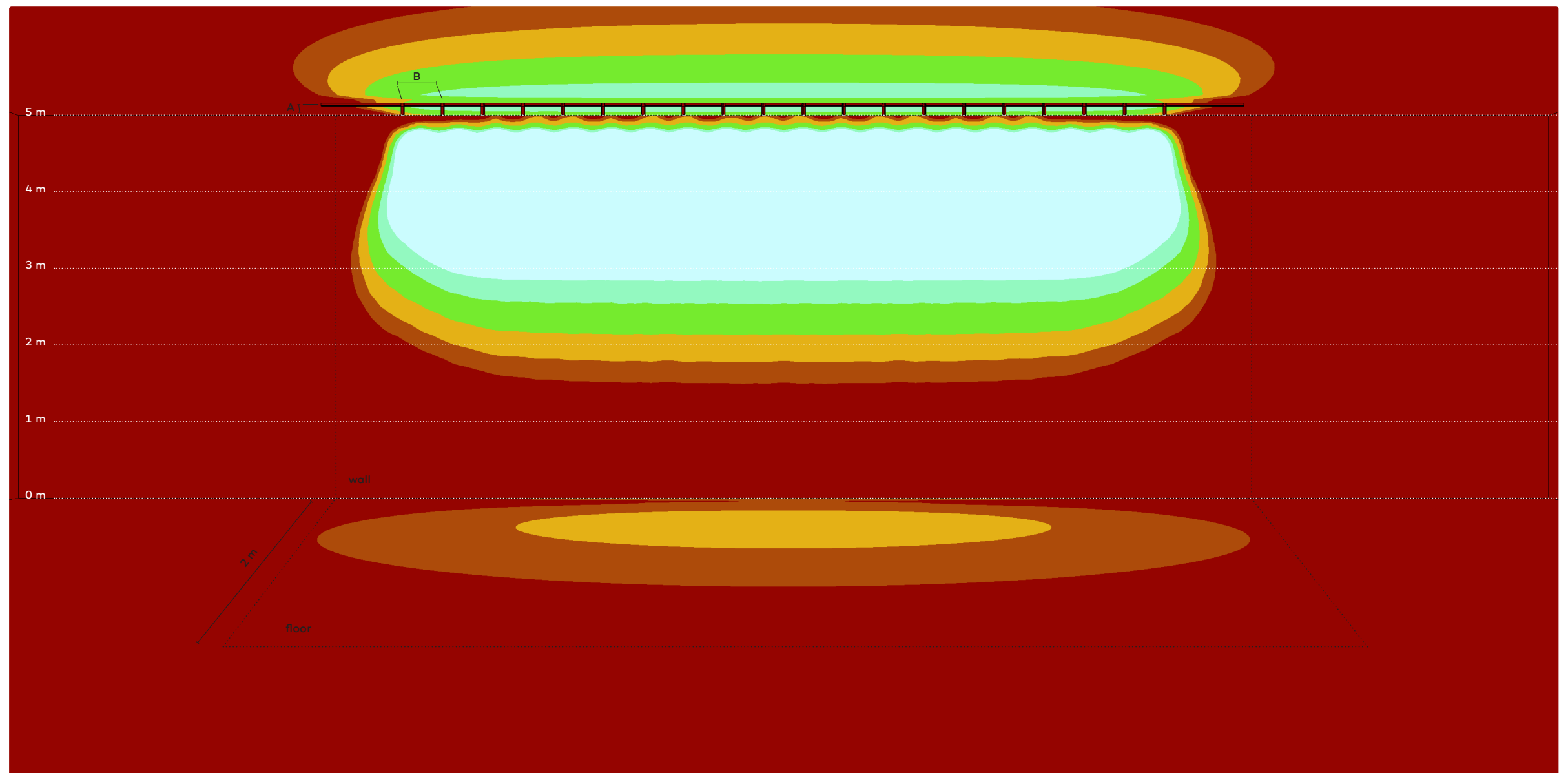
Module 40 on-kagi wallwasher (A= 1.20m, B= 0.90m)

	0m	1m	2m	3m	4m	5m
Module 40 on-kagi wallwasher (A= 0.50m, B= 0.50m)	8 lx (7 lx) [0.82]	12 lx (11 lx) [0.79]	27 lx (26 lx) [0.81]	92 lx (88 lx) [0.89]	276 lx (262 lx) [0.95]	94 lx (58 lx) [0.66]
Module 40 on-kagi wallwasher (A= 0.75m, B= 0.75m)	11 lx (11 lx) [0.82]	18 lx (17 lx) [0.82]	41 lx (39 lx) [0.87]	91 lx (89 lx) [0.95]	131 lx (129 lx) [0.97]	25 lx (19 lx) [0.84]
Module 40 on-kagi wallwasher (A= 0.90m, B= 0.90m)	14 lx (13 lx) [0.83]	22 lx (21 lx) [0.85]	43 lx (42 lx) [0.91]	80 lx (75 lx) [0.95]	97 lx (93 lx) [0.96]	14 lx (12 lx) [0.86]
Module 40 on-kagi wallwasher (A= 1.20m, B= 0.90m)	25 lx (24 lx) [0.81]	33 lx (32 lx) [0.84]	51 lx (50 lx) [0.91]	66 lx (65 lx) [0.97]	78 lx (75 lx) [0.96]	9 lx (8 lx) [0.84]

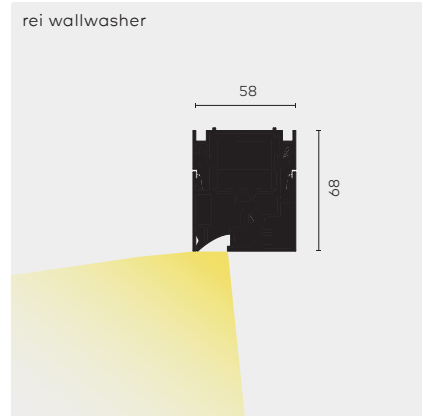
E_{max} (E_{av}) [illuminance uniformity]

Reflection values: wall=70%, ceiling=50%, floor=20%; maintenance factor 0.8

A=50; B=50



kreon wallwashing

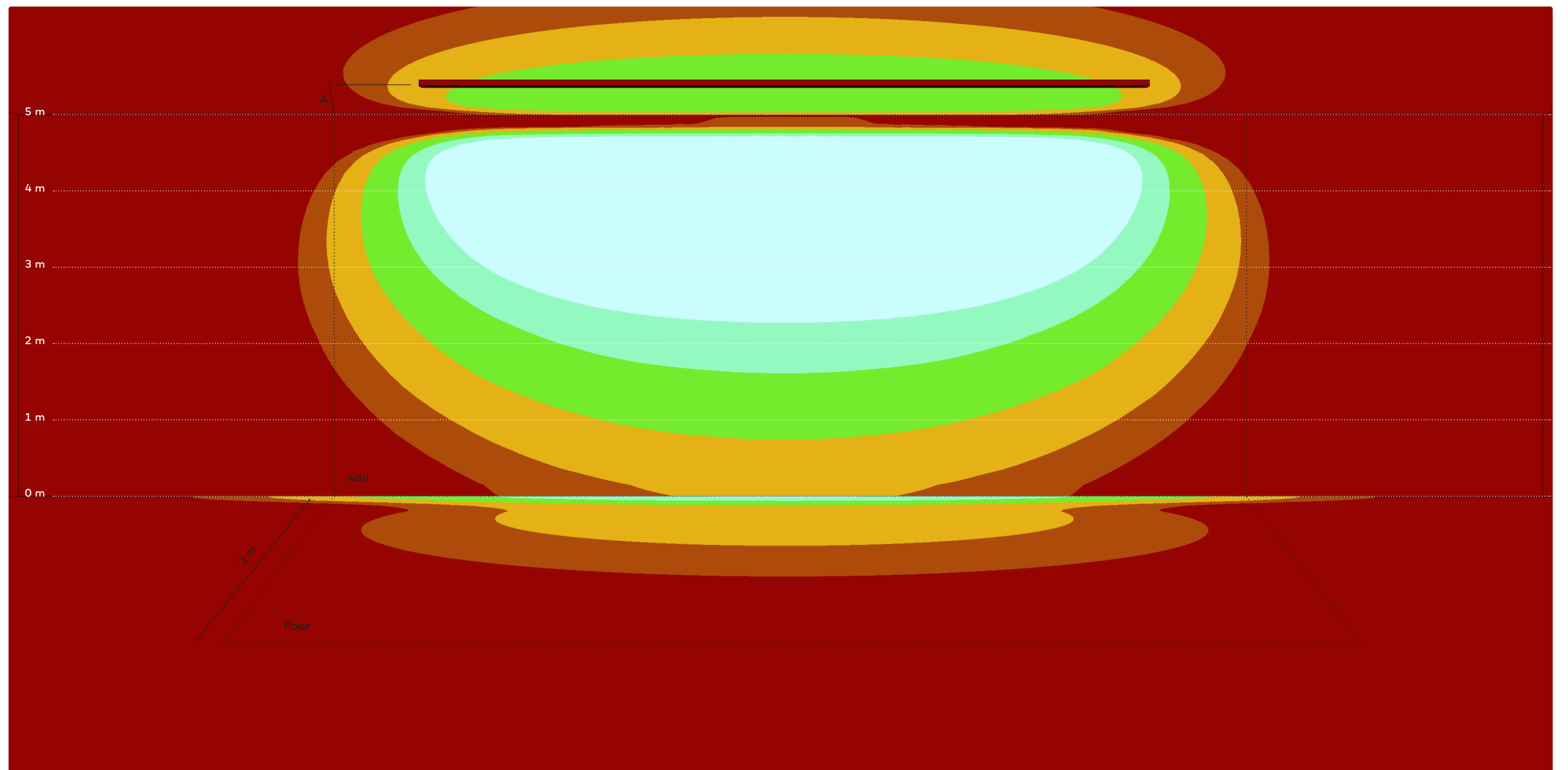


	0m	1m	2m	3m	4m	5m
Rei wallwasher (A= 0.50m)	7 lx (6 lx) [0.83]	10 lx (9 lx) [0.78]	21 lx (17 lx) [0.69]	66 lx (56 lx) [0.58]	235 lx (211 lx) [0.51]	411 lx (339 lx) [0.38]
Rei wallwasher (A= 0.75m)	11 lx (10 lx) [0.79]	19 lx (16 lx) [0.72]	42 lx (36 lx) [0.64]	97 lx (84 lx) [0.58]	262 lx (134 lx) [0.53]	132 lx (98 lx) [0.38]
Rei wallwasher (A= 0.90m)	16 lx (14 lx) [0.76]	26 lx (22 lx) [0.69]	51 lx (43 lx) [0.64]	108 lx (93 lx) [0.58]	255 lx (227 lx) [0.53]	66 lx (48 lx) [0.42]
Rei wallwasher (A= 1.20m)	17 lx (16 lx) [0.85]	37 lx (36 lx) [0.69]	64 lx (54 lx) [0.64]	123 lx (106 lx) [0.59]	228 lx (202 lx) [0.54]	24 lx (19 lx) [0.55]

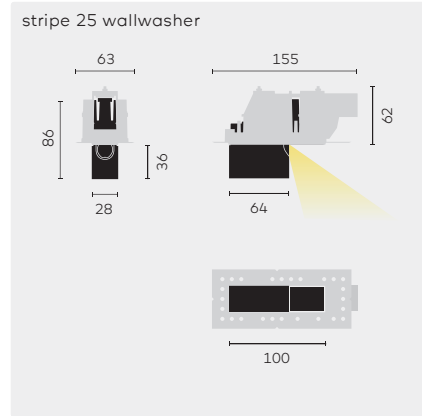
E_{max} (E_{av}) [illuminance uniformity]

Reflection values: wall=70%, ceiling=50%, floor=20%; maintenance factor 0.8

A=120; B=120



kreon wallwashing

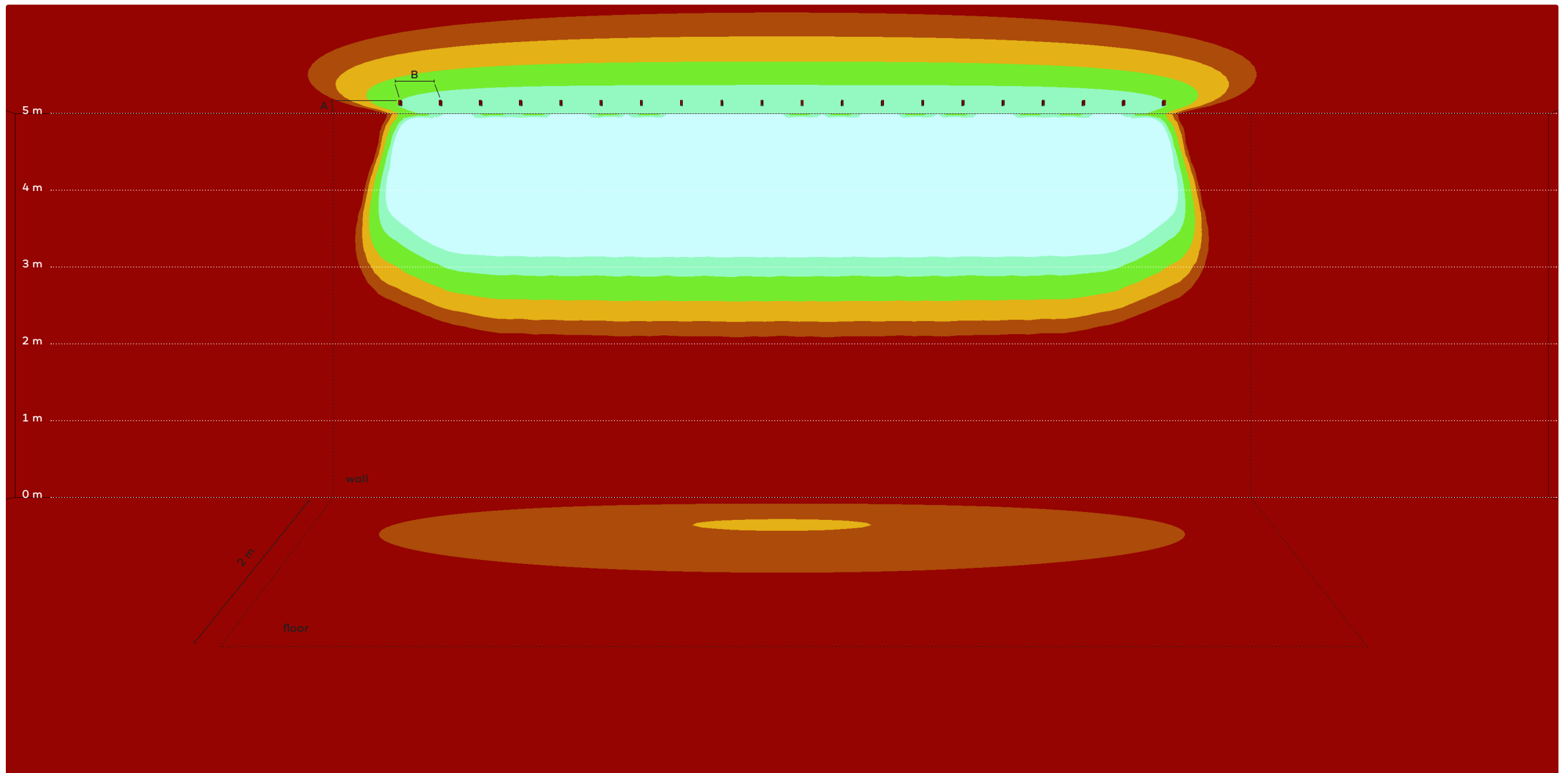


	0m	1m	2m	3m	4m	5m
Stripe 25 wallwasher (A= 0.50m, B= 0.50m)	5 lx (5 lx) [0.85]	7 lx (6 lx) [0.82]	15 lx (14 lx) [0.79]	61 lx (58 lx) [0.88]	257 lx (235 lx) [0.91]	259 lx (190 lx) [0.68]
Stripe 25 wallwasher (A= 0.75m, B= 0.75m)	6 lx (6 lx) [0.82]	11 lx (10 lx) [0.82]	28 lx (26 lx) [0.87]	73 lx (70 lx) [0.95]	136 lx (134 lx) [0.97]	88 lx (67 lx) [0.72]
Stripe 25 wallwasher (A= 0.90m, B= 0.90m)	8 lx (8 lx) [0.84]	14 lx (13 lx) [0.85]	32 lx (31 lx) [0.91]	69 lx (65 lx) [0.93]	102 lx (95 lx) [0.93]	54 lx (43 lx) [0.75]
Stripe 25 wallwasher (A= 1.20m, B= 0.90m)	5 lx (5 lx) [0.85]	25 lx (23 lx) [0.83]	42 lx (41 lx) [0.90]	67 lx (64 lx) [0.94]	72 lx (70 lx) [0.98]	32 lx (28 lx) [0.88]

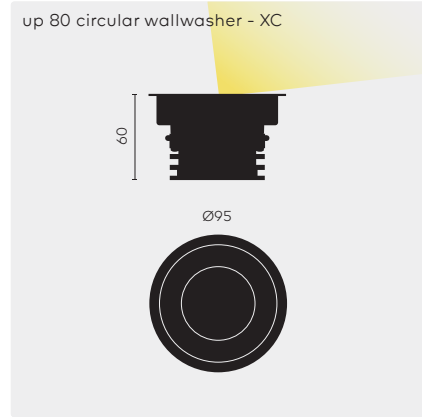
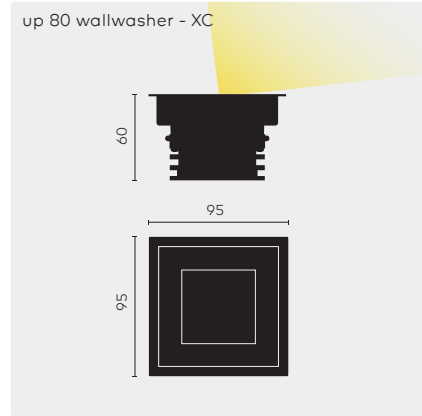
E_{max} (E_{av}) [illuminance uniformity]

Reflection values: wall=70%, ceiling=50%, floor=20%; maintenance factor 0.8

A=50; B=50



kreon wallwashing

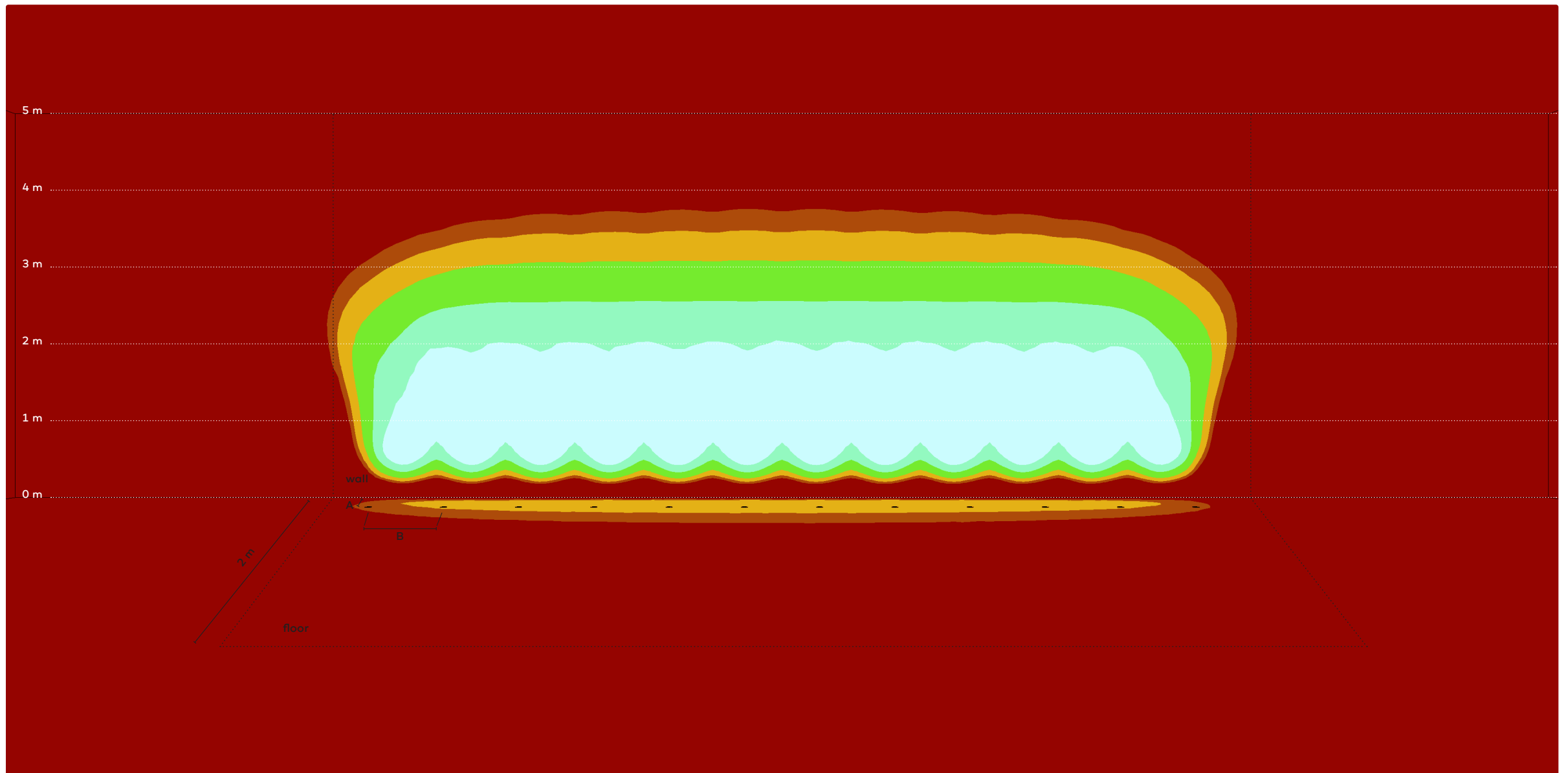


	0m	1m	2m	3m	4m	5m
Up 80 wallwasher (A= 0.50m, B= 0.50m)	100 lx (58 lx) [0.48]	238 lx (269 lx) [0.95]	62 lx (58 lx) [0.87]	10 lx (9 lx) [0.77]	7 lx (6 lx) [0.84]	5 lx (5 lx) [0.85]
Up 80 wallwasher (A= 0.75m, B= 0.75m)	15 lx (11 lx) [0.84]	125 lx (123 lx) [0.96]	90 lx (87 lx) [0.95]	28 lx (27 lx) [0.87]	9 lx (9 lx) [0.82]	5 lx (5 lx) [0.81]
Up 80 wallwasher (A= 0.90m, B= 0.90m)	8 lx (7 lx) [0.93]	95 lx (88 lx) [0.92]	82 lx (78 lx) [0.95]	37 lx (35 lx) [0.91]	14 lx (13 lx) [0.84]	7 lx (6 lx) [0.82]
Up 80 wallwasher (A= 1.20m, B= 0.90m)	6 lx (6 lx) [0.90]	76 lx (72 lx) [0.95]	67 lx (66 lx) [0.97]	53 lx (52 lx) [0.91]	30 lx (28 lx) [0.84]	23 lx (21 lx) [0.80]

E_{max} (E_{av}) [illuminance uniformity]

Reflection values: wall=70%, ceiling=50%, floor=20%; maintenance factor 0.8

A=90; B=90



Correlated Color Temperature (CCT)

Correlated Color Temperature (CCT) emerges as a foundational metric within the realm of lighting design, wielding profound influence over the visual and emotional resonance of illuminated spaces. CCT quantifies the color appearance of emitted light, making it a pivotal factor in shaping the ambiance and functionality of environments. This article delves into the pivotal significance of CCT, its pragmatic implications, and its transformative role in shaping our constructed surroundings.

CCT significance

CCT plays an indispensable role in lighting design by defining the warmth or coolness of light in degrees Kelvin (K). It dictates whether a light source exudes a warm, neutral, or cool hue, aiding designers in achieving specific lighting objectives. Distinct emotions and purposes are evoked by different color temperatures; for instance, warm light (2700K to 3500K) generates a cozy atmosphere ideal for residential spaces, while cool light (4000K or higher) finds its place in offices, hospitals, and task-oriented settings, imbuing a stimulating and alerting quality.

The choice of CCT across diverse applications

Residential lighting:

Tailoring CCT in homes can metamorphose the atmosphere. Warmer temperatures in living areas induce relaxation, while cooler hues in kitchens and workspaces bolster visibility and alertness.

Commercial and office spaces:

Higher CCT lighting fosters productivity and reduces eye strain in office settings. Cooler CCT task lighting is employed at workstations, while communal areas sport a blend of warm and cool temperatures to craft different moods.

Retail:

Retailers strategically employ CCT to accentuate products and create inviting shopping environments. Warm lighting in clothing stores fosters comfort, while cooler lighting enhances visibility in grocery stores.

Outdoor lighting:

CCT extends its relevance to outdoor contexts. Warmer lighting in public parks fosters safety and relaxation, while cooler hues on streets and highways enhance visibility.

Mood and aesthetics:

CCT significantly contributes to space aesthetics. Designers utilize it to craft unique atmospheres, as seen in museums, galleries, and restaurants, where lighting is integral to the overall experience.

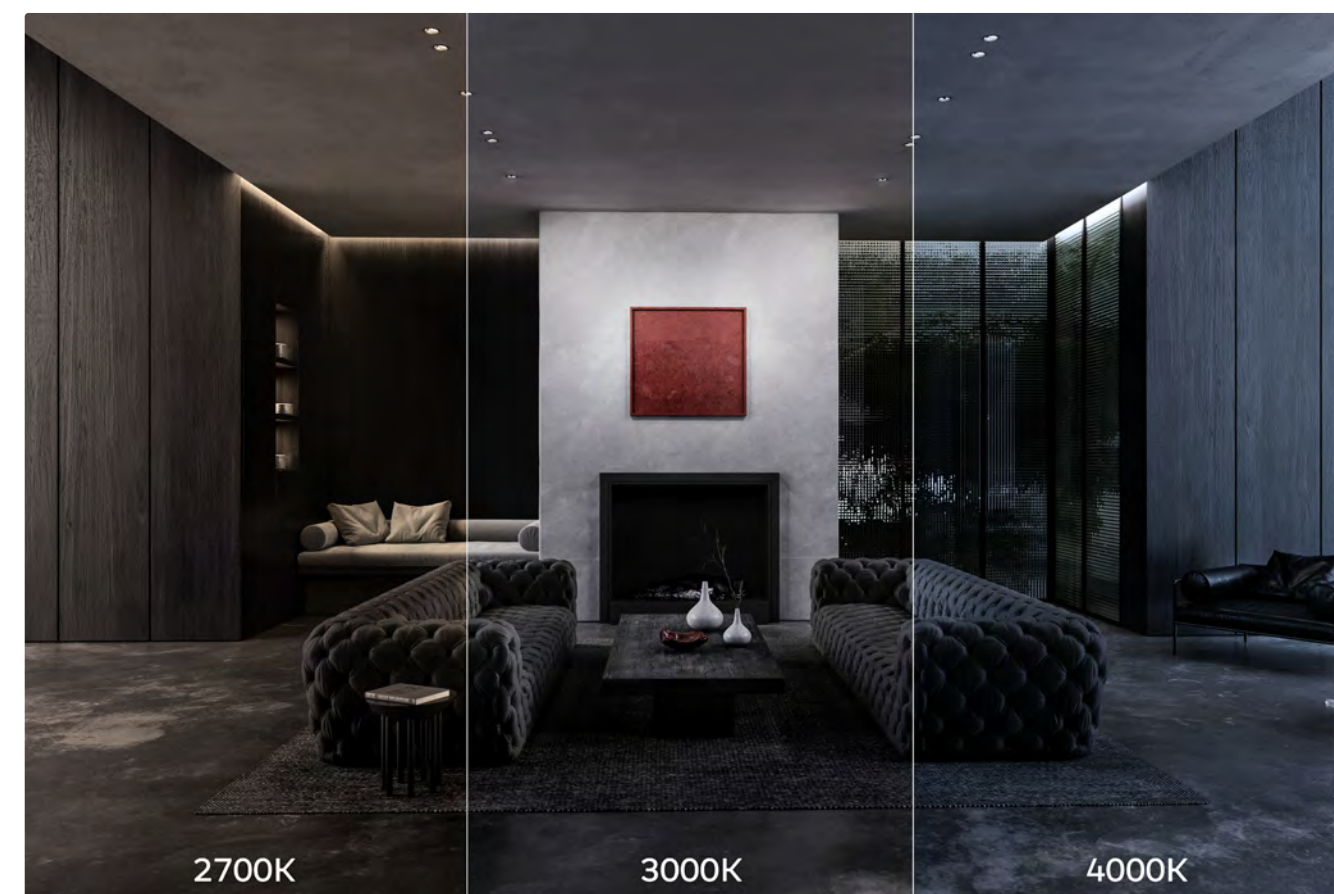
Balancing CCT with Color Rendering

Crucially, CCT alone does not inform about color rendering accuracy; this information is provided by the Color Rendering Index (CRI). A specific CCT may correspond to varying CRI values, impacting how colors appear under the light source. Designers must contemplate both CCT and CRI to ensure lighting achieves the intended mood and accurately represents colors.

Conclusion

In conclusion, Correlated Color Temperature (CCT) assumes a pivotal role in lighting design, shaping the visual and emotional dimensions of diverse environments. Skillful CCT selection empowers designers to tailor spaces to specific needs, moods, and functions. Moreover, the synergy of CCT and color rendering ensures lighting's aesthetic allure harmonizes with functional accuracy. As lighting technology evolves, a nuanced understanding of and adept utilization of CCT remains indispensable for architects, designers, and lighting professionals committed to crafting spaces that inspire and fulfill their intended purposes.

[↑ back to table of content](#)



Color Rendering Index (CRI)

Color Rendering Index (CRI) is a fundamental metric that plays a pivotal role in evaluating the quality of light sources. CRI is a quantitative measure used to assess how accurately a light source renders the true colors of objects when compared to natural sunlight. This metric holds significant importance in various applications, including architectural lighting and interior design.

CCT significance

A high CRI value signifies that the light source closely approximates the spectrum of natural sunlight, rendering colors with fidelity. On the contrary, a low CRI implies that the light source may distort colors, making them appear dull or inaccurate. Therefore, CRI helps ensure that the lighting in a space or environment is not only visually pleasing but also functional for activities that require accurate color discrimination, such as in retail, museums, or residential settings.

Calculation of CRI

CRI is quantified on a scale from 0 to 100, with higher values indicating better color rendering performance. The calculation of CRI involves comparing how a light source illuminates a set of standardized color samples, often consisting of 14 or 8 color swatches, to how they would appear under natural sunlight. These color samples are commonly known as the Color Evaluation Index (CEI) or Ra (the general CRI index).

CRI is calculated by measuring the color difference between the reference colors under the light source in question and under natural sunlight. A CRI of 100 indicates perfect color rendering, while lower values suggest increasing inaccuracies in color representation.

It is essential to note that CRI can be further refined by considering specialized CRI indices for specific applications. For instance, the TM-30-15 (IES TM-30) metrics provide a more comprehensive evaluation of color rendering, especially for LED light sources. These metrics take into account more color samples and provide additional information about color fidelity, saturation, and hue shifts.

CRI's practical implications

Architectural lighting:

Architects and lighting designers use CRI to create lighting schemes that enhance the aesthetics and functionality of spaces. In environments where accurate color discrimination is essential, such as art galleries or retail spaces, high-CRI lighting is crucial.

Residential lighting:

Even in homes, CRI plays a role in creating pleasant living environments. High-CRI lighting can make living spaces feel more inviting and comfortable.

Energy efficiency:

Balancing CRI with energy efficiency is a critical consideration, as some high-CRI sources may consume more energy than others. Finding a balance between color accuracy and energy savings is essential in sustainable lighting design.

Conclusion

In conclusion, Color Rendering Index (CRI) is a vital metric that influences our perception of color in various settings. It serves as a benchmark for evaluating the quality of light sources and ensures that they accurately represent colors as they appear in natural sunlight. As technology continues to advance, new metrics and standards may complement or refine CRI, but its fundamental importance in lighting design and application will endure. Designers, architects and consumers alike should consider CRI when selecting lighting solutions to create visually appealing and functional environments. Ultimately, CRI empowers us to appreciate the world in its true colors.

[↑ back to table of content](#)



kreon installation kits

installation kit compatibility (size 80)

ceiling type	installation kit type	KR-reference
gypsum board	plasterkit, front mounting panel thickness: 9-26mm	plasterkit, no shadowgap ○ KR717104 (circular) □ KR717114 (square) plasterkit, shadowgap ○ KR717108 (circular) □ KR717118 (square)
	plasterkit, back mounting panel thickness: 9-25mm	plasterkit, no shadowgap ○ KR717000 (circular)
wood / panel	installation kit, back mounting panel thickness: 9-25mm	installation kit, no shadowgap ○ KR717100 (circular)
exposed concrete	installation kit, back mounting material thickness: 9-25mm	installation kit, no shadowgap ○ KR717100 (circular)

ceiling type	installation kit type	KR-reference
solid + plaster	plasterkit for concrete installation panel thickness: 2-25mm optional spacer rings available	plasterkit, no shadowgap size: 430x430mm ○ KR717101 (circular) □ KR717111 (square) plasterkit, no shadowgap size: 200x200mm ○ KR717102 (circular) □ KR717412 (square)
acoustic ceiling	plasterkit, back mounting panel thickness: 9-26mm	plasterkit, no shadowgap ○ KR717000 (circular)

↑ back to [table of content](#)

kreon about

creative spaces	614
project design	618
light lab	626
sustainability	628
bespoke	630
degree of protection	634
vektron	636
belux	638
general information	640
colophon	641
offices	642

[↑ back to table of content](#)

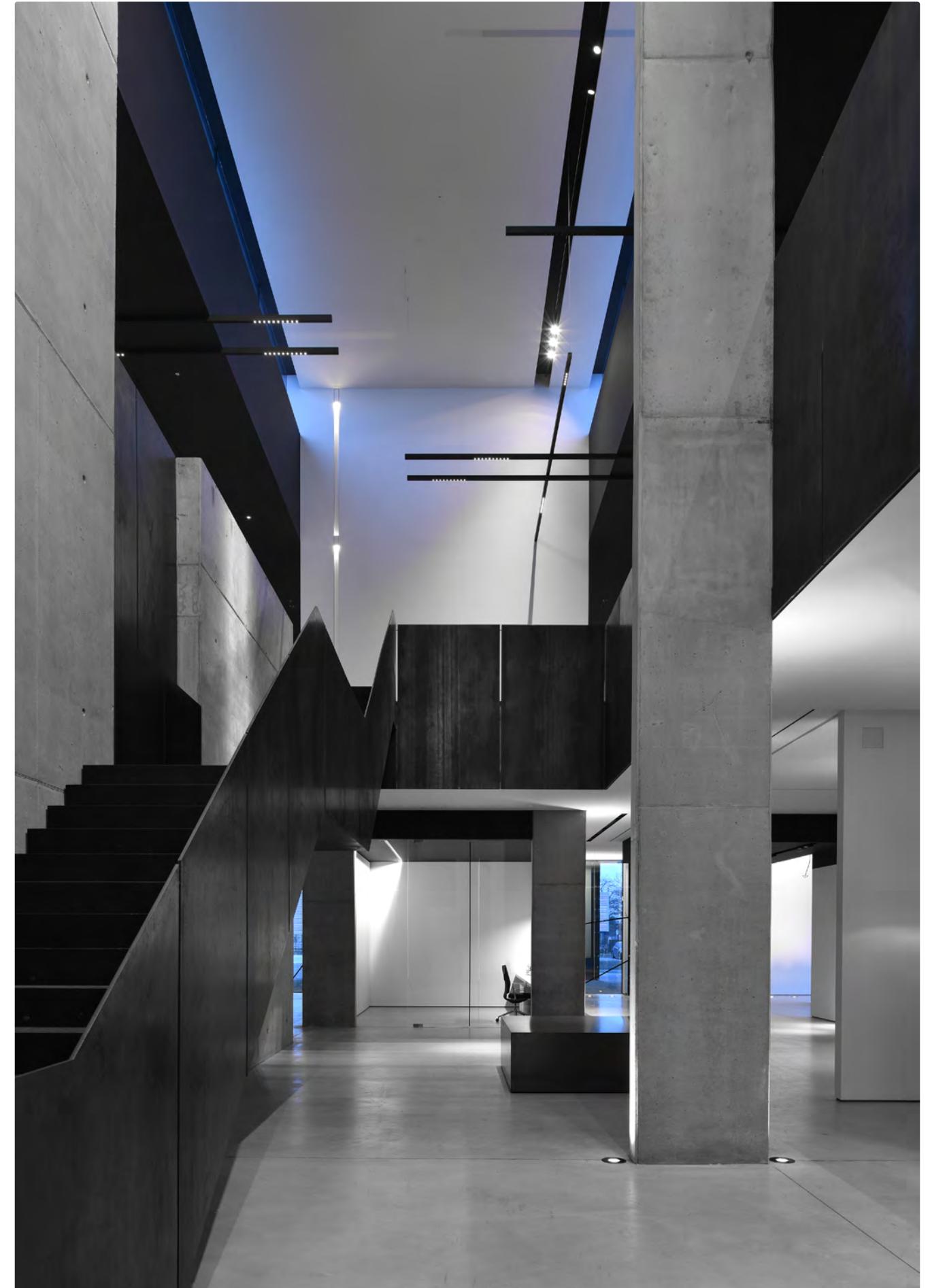
kreon plays a leading role in the world of architectural lighting and makes every effort to share this vision with its professional audience. Our showrooms are more than just a presentation of luminaries.

The kreon creative spaces are the perfect translation of the company's identity. Minimal, yet architectural kreon tools of light where proportions and the relation between colour and surface present our lighting solutions in a minimalistic and refined aesthetics. kreon creative spaces emphasize our vision to unite light and architecture.

These showrooms provide flexibility in creating different scenes within a static environment thus impressing upon our clients the added value of lighting design. The subliminal message of the space is that kreon provides good solutions with aesthetically pleasing products, instilling a need in our clients to consider the organization as a whole with added value.

kreon creative spaces are meeting points where specifiers and lighting designers are welcome to share and discuss the importance of lighting as a creative extension of architecture with the professional kreon lighting consultants.

[↑ back to overview page about](#)





kreon Belgium HQ

T +32 89 81 97 80
mailbox@kreon.com



kreon China

T +86 183 1711 3541
china@kreon.com



kreon France

T +33 1 44 50 53 54
france@kreon.com



kreon Italy

T +39 02 89 42 08 46
italy@kreon.com



**kreon Inc.
North America & Canada**

T (201) 298-44 48
usa@kreon.com



kreon South East Asia

T +65 62 22 33 93
singapore@kreon.com



kreon Switzerland

T +41 61 316 74 01
switzerland@kreon.com



kreon Turkey

T +90 216 430 86 00
proje@kreon.com.tr



kreon Austria

T +43 1 715 44 25
austria@kreon.com



kreon Scandinavia

T +31 (0)6 52 39 16 80
auke.bakker@kreon.com



kreon Germany

T +49 221 937 22 0
germany@kreon.com



kreon Middle East & India

T +971 56 705 2522
middle.east@kreon.com



kreon Poland

T +48 504 788 355
poland@kreon.com



kreon Spain & Portugal

T +34 600 462 551
spain@kreon.com



kreon The Netherlands

T +31 (0)6 52 391 680
the.netherlands@kreon.com



kreon United Kingdom

T +44 (0)20 7740 2112
uk@kreon.com



Evolutions in techniques and technology have made lighting design crucial for the realisation of an architectural project. The possibilities have become endless. However, seamless integration into modern architecture becomes more complex with the day and requires knowledge.

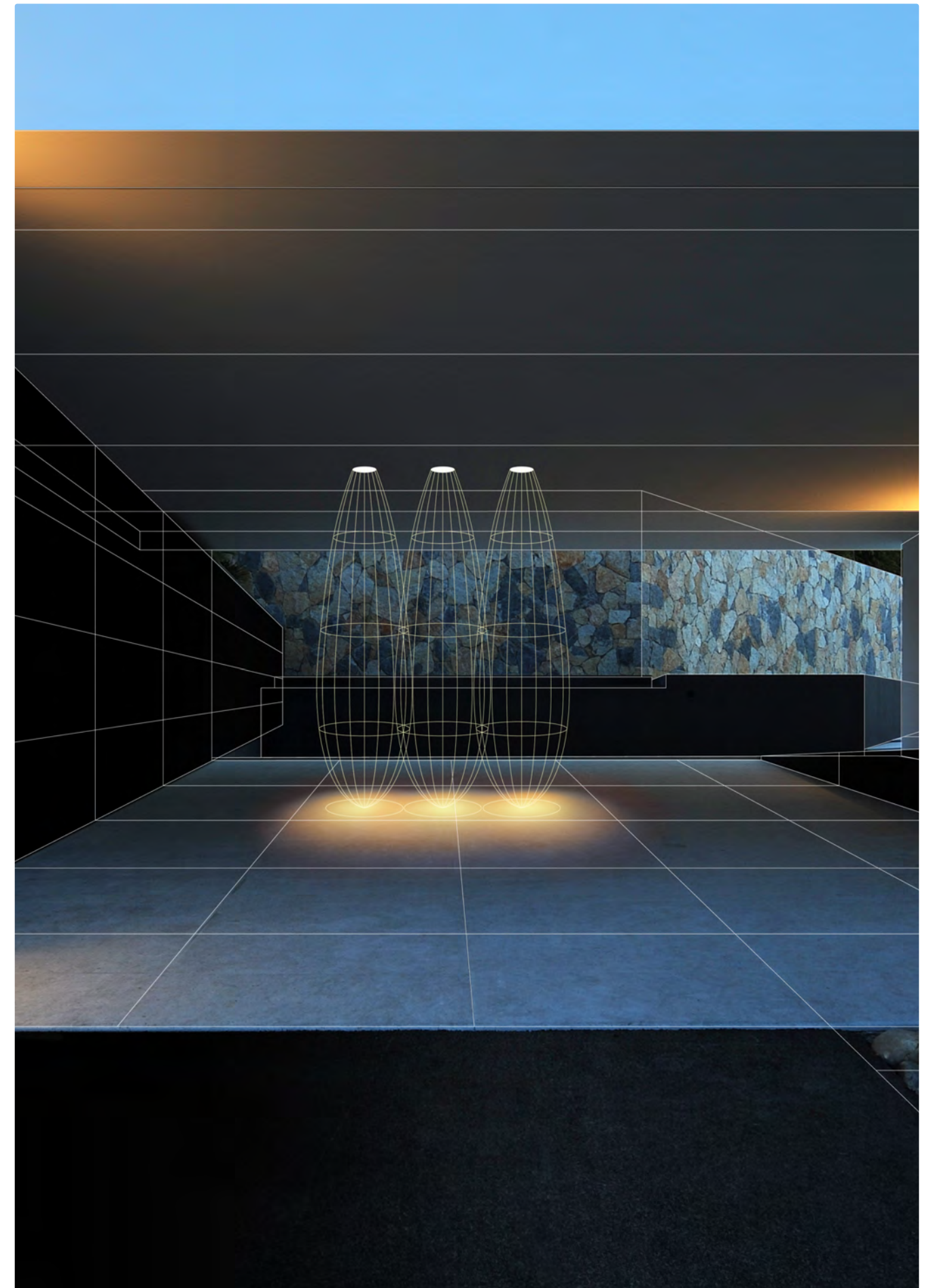
Lighting design has become a creative extension of architecture. The main objective of lighting in an architectural design can be deduced to compliment the present shapes and colours. In recent years, there has been a broad interest in light, lighting and lighting design among designers throughout the world, but also among architects. One of the main reasons behind this, is the growing awareness of the fact that architecture has become more thoughtful and increasingly uses free forms. This also increases the need for quality architectural lighting. Standardized light concepts might still meet the more static architecture of the recent past, but the variation we see in contemporary architecture requires diverse and distinctive possibilities in terms of lighting.

An architect has no need for lighting devices, but for light, atmosphere and comfort. The product should be minimally present in the architecture and should be kept in the background, so the light can steal the show. Not the luminaire. Successfully integrating lighting in your design requires knowledge and insights about products, technologies and especially about the effects and impact of light.

Because kreon always starts from the architectural design, we can enter into a dialogue with the architecture as an equal partner. kreon project design, helps you create the perfect conditions under which the beauty of your design can come to the surface in the most optimal way.

The kreon professional lighting designers are happy to share and discuss with specifiers and other lighting designers the importance of lighting as a creative extension of architecture.

[↑ back to overview page about](#)



kreon project design

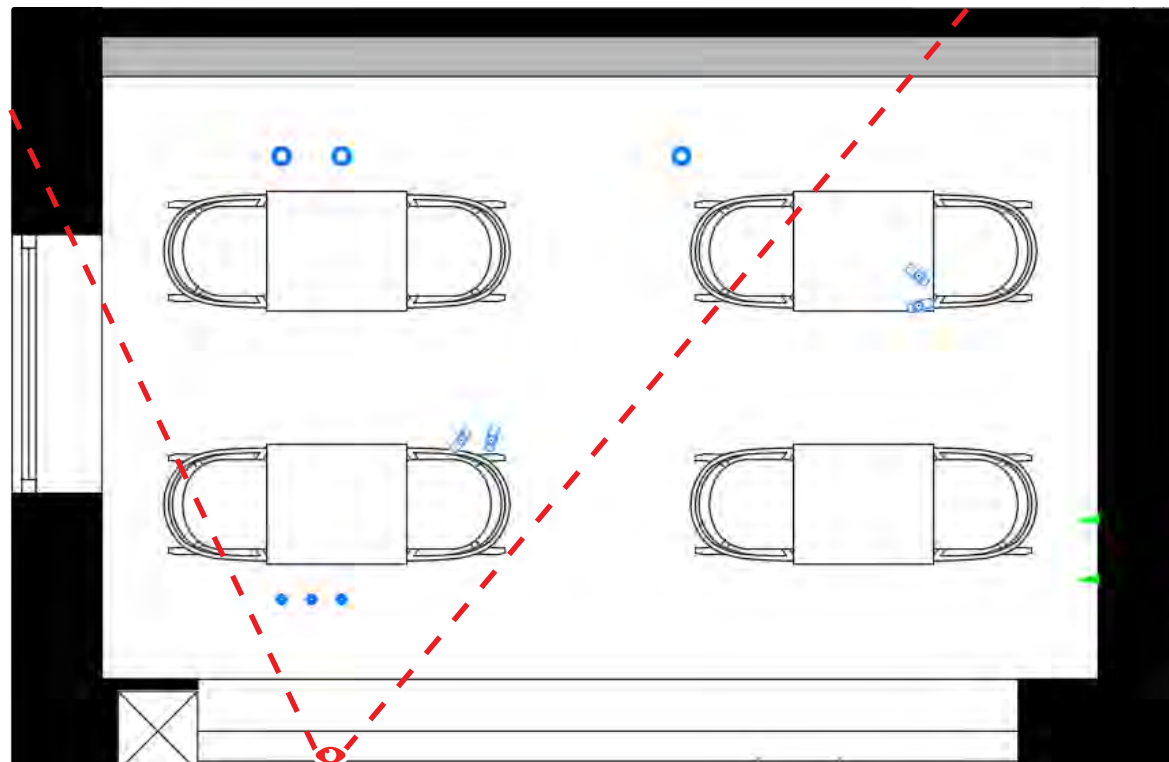
Lighting is an active component in spatial design. Illuminating a space is a quest for light quality. Light shows what is important: an object, a structure, a rhythm or a pattern both inside and outside the architecture. Therefore architecture is the formal basis for the kreon identity. Since 1983 our product range evolved in a swinging movement into a changing architectural framework through brutalism and structuralism to postmodernism and minimalism. Only this is constant: light as a structural material of the architectural development.

Key aspects of this architectural framework are:

- Material as decoration
 - High quality, low gloss paint
 - Natural, untreated materials
- Repetition as a system
 - Repetition in light plan
 - Repetition in lighting fixture
- Uniformity in structure
 - Simplicity and clarity in lighting plan
 - Formal and/or technical uniformity in the product
- Light to see - ambient light
- Light to focus on an object - focal glow
- Light to look at - play of brilliance

[↑ back to overview page about](#)

Light plan



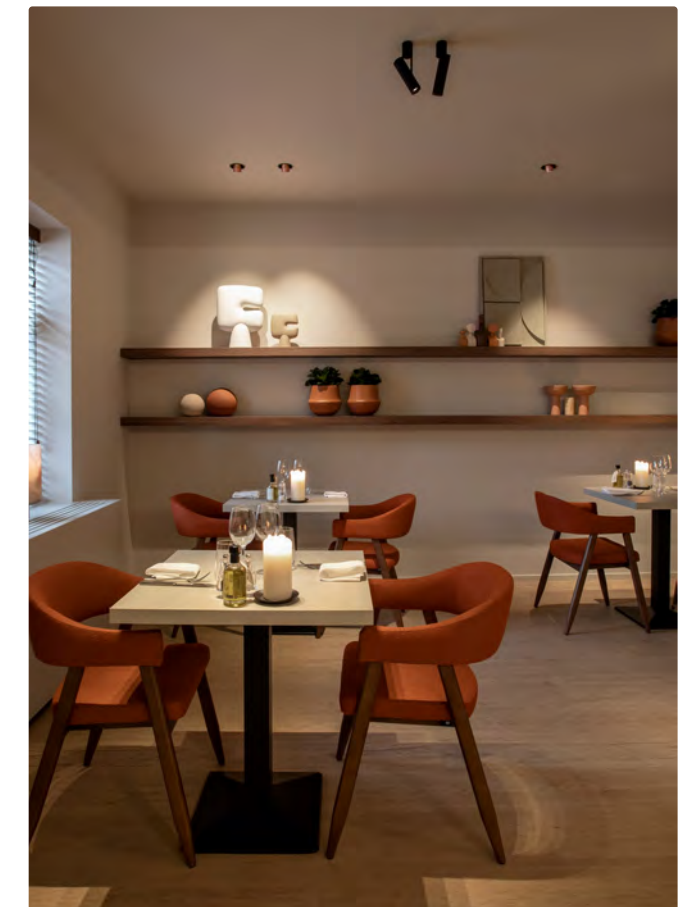
Pseudo colours



3D visualisation



Realisation



kreon project design

Embark on creative exploration

Our professional lighting designers are happy to present your very own inspiration box. Inside, you'll find a curated selection of innovative lighting products that cater to various styles and preferences.

In-depth details

Dive deep into each product's specifications. Empower yourself with the knowledge needed to make informed decisions.

Real-life applications

Explore real-life project photos showcasing our products in action. Witness how our lighting seamlessly integrates into different spaces and designs.

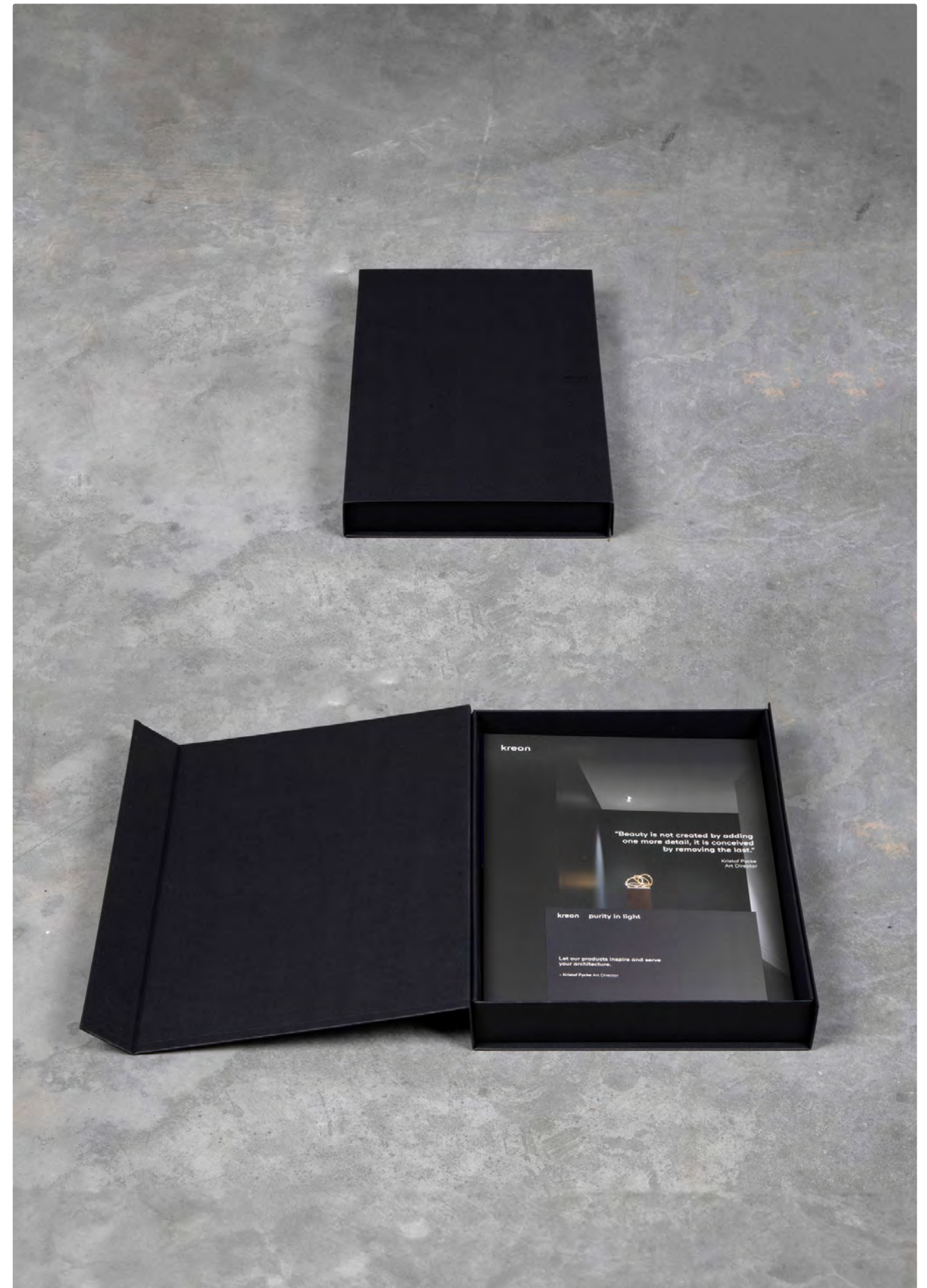
Visual representation

Flip through 2D drawings that illustrate product placement in various layouts. Get a clear picture of how our lighting can transform your space.

Unveiling creativity

Peek behind the scenes with sketches from our product developers. Experience the journey from raw concept to refined design.

[↑ back to overview page about](#)



↑ back to overview page about



Meeting the standards

kreon focuses on the quality of all products as well as on service towards our professional clients. This can only be obtained by integrating all national and European quality standards, for as far as the product standards ENEC 60598 and CE are concerned and the ISO 9001-certificate.

All existing products as well as all new developments are being ENEC certified and comply with CE regulations and other existing standards. To meet these standards the presence of a professional laboratory is essential.

The kreon laboratory houses:

A fully equipped type C goniophotometer for measuring the luminous flux and luminous intensity distribution of the kreon and fixtures and translate them into LDT and IES files.

A thermal test unit used for measuring and controlling the operational temperature and the life performance parameters of the different LED engines applied in our fixtures.

A constant climate chamber to run specific stress - and material test in which temperature and humidity are modified automatically at set times.

[↑ back to overview page about](#)



kreon evolves architecture

Our tools of light are designed for today and tomorrow. And for the days after tomorrow. For contemporary and timeless design. We strongly believe that a long-term vision for lighting is the best option for a sustainable result. A design that remains relevant. And adaptable.

Each stage of life requires a different intensity of lighting. We take care of that.

Every style calls for more shade or more light. We take care of that.

We want to do this with due consideration and respect for our planet and future generations. We have already taken many steps in this regard. And we want to continue taking them.

Raw materials

All our profiles are manufactured from 98% recycled aluminium.

Facilities

Solar panels, hot and cold storage. Minimise dependence on fossil fuels. Conscious choice.

Vision

Our timeless designs, our customisable profiles and our long-term vision for lighting in every room contribute to sustainable results.

Of course, there are also areas where we still have more to achieve.

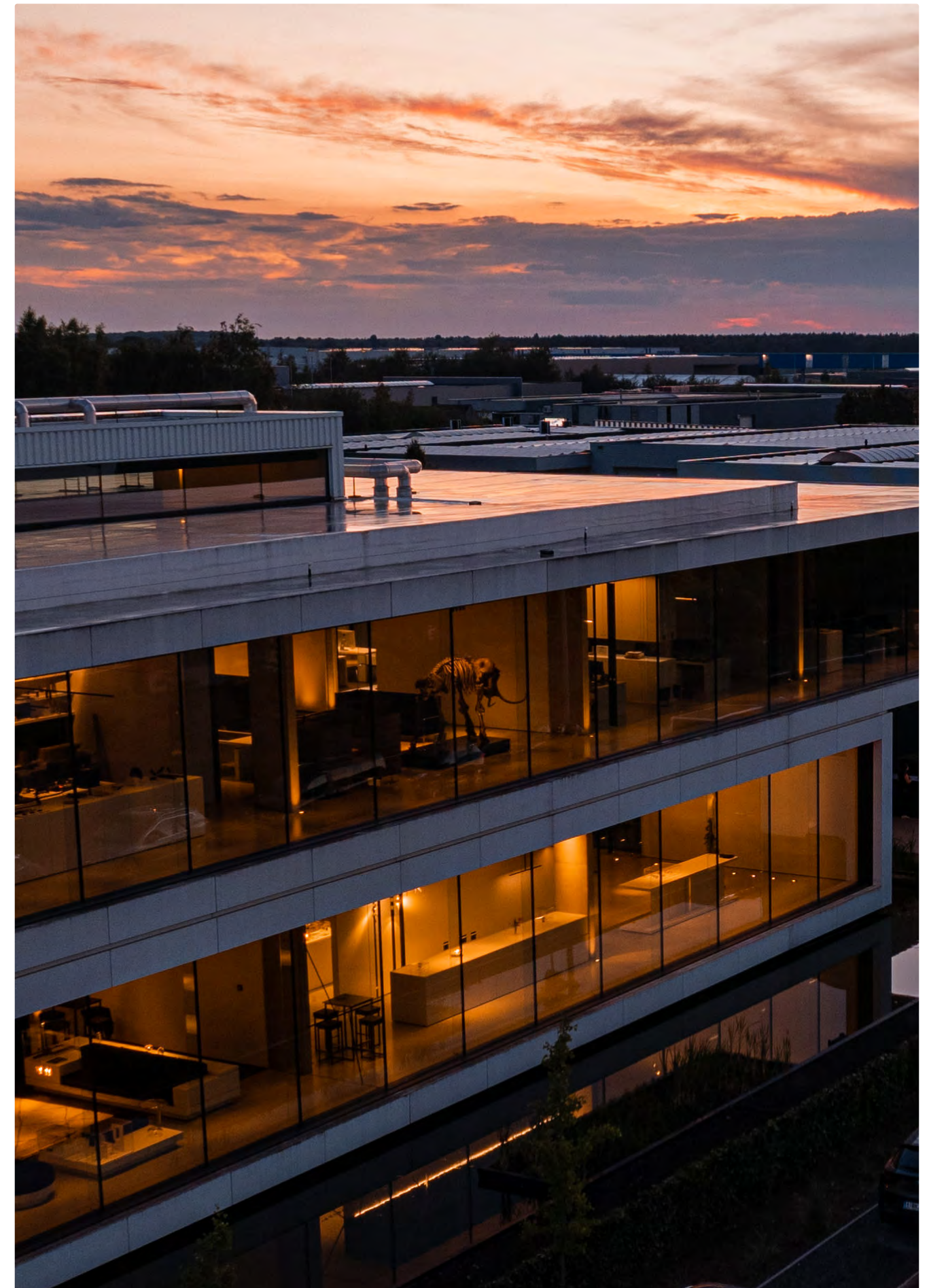
Thinking today about what is to come, we are taking care of that together. This long-term vision demands a thorough approach from us. That is why we keep looking for more sustainable solutions for our entire operation.



Blog:

The kreon sustainability plan: step by step to a cleaner world

[↑ back to overview page about](#)



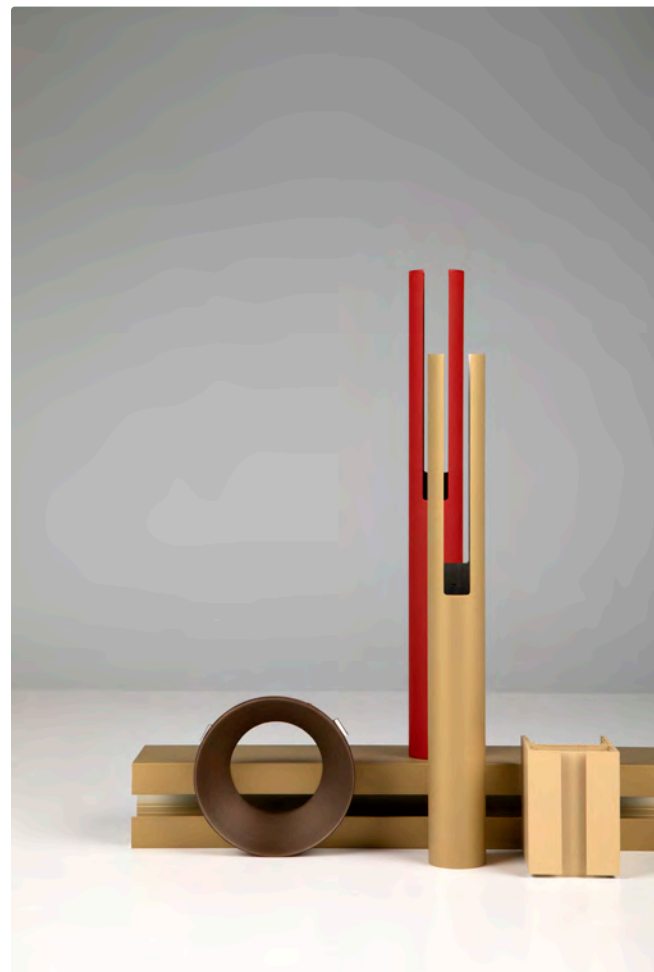
kreon respects architecture. In the world of kreon, purity of design is central. Faithful to our values and vision and mindful of our high quality standards. Our knowledge and way of working enable us to propose products and solutions tailored to each project.

Adjustments to our tools of lights are possible and allow us to optimise our products and collection for a better match.

Personalised development goes a step further to make our tools or lights meet the needs of a specific project.

Complete customisation ensures a unique, never-before-seen approach.

[↑ back to overview page about](#)



[↑ back to overview page about](#)



kreon degrees of protection

IP classification

	Degree of Protection against penetration of solids
IP 0X	No-Protection
IP 1X	Protection against solid objects greater than 50mm Ø
IP 2X	Protection against solid objects greater than 12mm Ø
IP 3X	Protection against solid objects greater than 2.5mm Ø
IP 4X	Protection against solid objects greater than 1mm Ø
IP 5X	Protection against limited ingress of dust without interference in operation
IP 6X	Protection against any ingress of dust

	Degree of Protection against penetration of liquids
IP X0	No-Protection
IP X1	Protection against vertically dripping water
IP X2	Protection against vertically dripping water up to 15° from vertical
IP X3	Protection against spraying water up to 30° from vertical axis
IP X4	Protection against spraying water from any direction
IP X5	Protection against jets of water from any direction
IP X6	Protection from powerful jets of water with limited ingress with no harmful effect
IP X7	Protection against total immersion in water for limited periods
IP X8	Protection against total immersion in water under pressure for an indefinite period Max. depth shown in metres IPX8 ...m

Attention: Unless otherwise stated, protection is not guaranteed when placing our lighting fixtures in coastal environments.

IK classification

	Level of shock resistance according to CEI EN 50102
IK 00	No-Protection
IK 01	Protection against 0,15 J shocks
IK 02	Protection against 0,2 J shocks
IK 03	Protection against 0,35 J shocks
IK 04	Protection against 0,5 J shocks
IK 05	Protection against 0,7 J shocks
IK 06	Protection against 1 J shocks
IK 07	Protection against 2 J shocks
IK 08	Protection against 5 J shocks
IK 09	Protection against 10 J shocks
IK 10	Protection against 20 J shocks

Protection class

I



Luminaires with earth connection to which all touchable metal parts have to be connected so that they can take up voltage immediately in case of an error.

Connection to the mains protective conductor is mandatory. The symbol is fixed to the connection point.

II



With luminaires belonging to this class, no metal parts which could take up voltage immediately in the event of an error are to be touchable (protective insulation or double insulation).

Lamp may have no earth connection or be connected to the mains protective conductor.

III



Luminaires for use with protective low voltage, i.e. with voltages below 50V, that is generated with a safety transformer in accordance with VDE 0551 or with batteries or accumulators.

↑ back to overview page [about](#)

Simplicity must not be the result of an uncritical reduction. Instead, it should be convergence and synthesis of the complex requirement imposed on ceiling solutions by contemporary architecture. Taking its cue from this concept, vektron ceiling solutions do more than just span a room. It offers a unique solution for the integration of building service systems that need to be accommodated in the ceiling: lighting, ventilation, cooling, heating, audio, fire protection and much more. vektron's most pursued objective is to offer unity in design translated through technical solutions.

Design that gives prominence to simplicity, permanence and calmness requires precision so as not to become trivial. The more one condenses, omits and simplifies, the more the significance of the detail is increased. Unity and simplicity of details are the very ones to concur to great architecture. vektron is glad to invite you to discuss your architectural requirements with our planning department.

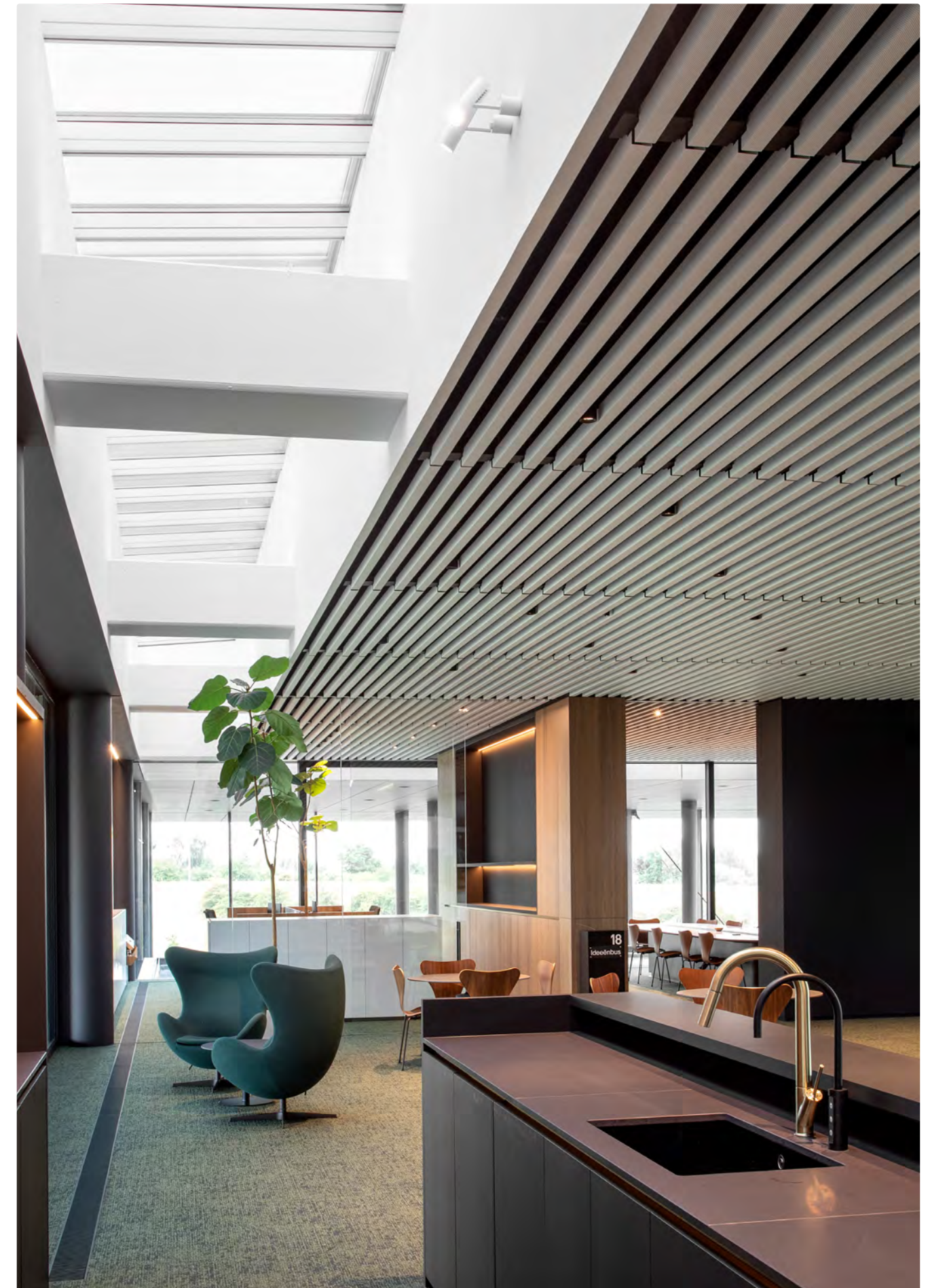
Ceilings usually have an indistinctive character in the space surrounding us. In daily life, as well as in architecture, they are seldom noticed. vektron ceiling solutions will make these anonymous surfaces come alive: structure, relief and symmetric shadow gaps support the architectural rhythm of space whilst creating effects like rest, order... and even chaos.

vektron integrated ceiling solutions are one-of-a-kind custom-made comfort solutions, produced and installed with the greatest attention to detail, created at the specific request of the client for a specific space. These are individual works of art that require detailed design, proper planning, careful production and precise installation, "à la tête du client."

vektron metal ceilings can be arranged and customised to match your vision perfectly. We offer a wide choice of tile dimensions, materials, colours, finishings, perforations, accessories and options.

vektron modular ceilings aim to materialise simplicity, unity and functionality within its design.

[↑ back to overview page about](#)



belux is committed to providing optimal solutions for complex lighting requirements both in the contracting sector and in private residential environments. For this purpose, belux develops, produces and markets innovative lighting instruments that are distinguished by modern, energy-efficient lighting technology, functional design, high-quality materials and meticulous fabrication. belux regards lighting as a key element of interior design, which must therefore fulfill the highest functional and aesthetic demands.

Lighting products by belux stand for long-lasting quality, guaranteed by a superior product culture on every level. belux lighting fixtures are manufactured with a passionate attention to detail. This is evident in the selection of premium materials as well as the extraordinary care that goes into the actual production process, which involves a comparatively high degree of precise hand craftsmanship. The belux product range consists primarily of standard production models. Customised products can be made to order if required, especially for projects in the contract sector.

belux maintains lasting business relationships with upmarket retailers and suppliers. As one of its many services, the company provides professional planning advice for specific lighting needs to both lighting experts and quality-conscious end customers.

Lighting products by belux are developed in close collaboration with external designers, whose conceptual and creative ideas are merged with the company's expertise in lighting technology and manufacturing know-how. The starting point for research and development is usually a functional need or technical innovation. The aim is to achieve surprising lighting solutions that are convincing not only with regard to their functional qualities and technical sophistication, but also due to their attractive appearance.

The belux product range contains a series of office luminaires. For more information, go to belux.com

[↑ back to overview page about](#)



kreon general information

General information	All information in this catalogue is non-binding, supersedes all previous information, and is subject to amendment at any time. kreon has the right to change the technical specifications of its products at any time without prior notice. kreon terms and conditions are applicable at all times. No part of this catalogue may be reproduced without written authorisation from kreon.
Specifications	Because of the constant improvement of its products, kreon reserves the right to modify the characteristics of such products without prior notice.
Fixtures	Unless otherwise mentioned, all products are delivered with a LED lightsource. The indicated maximum power specified must under no circumstances be exceeded.
Lumen output data	The mentioned lumen outputs are the fixture lumen measured at room temperature using standard luminaires with, unless otherwise indicated or not available, flood optics and white finishes, for CRI90 and 2700K
Dimensions	Unless otherwise indicated, all dimensions are specified in millimetres.
Labels	Each product is labelled, specifying the equipment number of the article, its serial number, the type of light source and its maximum power.
Patents/trademarks	kreon holds patents on all products and all product names are registered trademarks.
Liability	kreon products are manufactured in compliance with CE regulations and current standards in force and are delivered with assembly instructions. Each and every modification applied to the product after purchase and/or failure to comply with the assembly instructions may result in the loss of characteristics and in a dangerous situation for its user. kreon disclaims all liability for products subjected to any modification whatever or for which the assembly instructions are not complied with. kreon cannot be held liable for any technical errors in this catalogue.
Guarantee	kreon products are manufactured with maximum care from high-quality materials. Every product is subjected to strict quality control. kreon guarantees this product (light sources exempt) for a period of 12 months from the date of purchase.

kreon nv
Industrieweg Noord 1152
BE-3660 Oudsbergen
T +32 89 81 97 80
kreon.com
mailbox@kreon.com

General terms and conditions
kreon nv's general terms and conditions apply.
These can be accessed on kreon.com

- General information**
- Even though kreon takes all the necessary care to ensure the correctness of the published information, it accepts no liability for the correctness and completeness of the contents thereof.
 - Images of products are by way of example only and may deviate from the original.
 - We reserve the right to make changes in dimension and construction.
 - The name kreon, all products shown as well as all photographs are protected by law and must not be used commercially without written permission by kreon NV, Oudsbergen, Belgium. Copying and reproducing this catalogue or parts of it is only allowed with written permission by kreon NV. The general terms and conditions of kreon NV apply for all orders.

© kreon nv 12/2023

COLOPHON

Coordination Catalogue
kreon

Typeface
kreon

Printer
GEWA, Arendonk (B)

Paper
Arctic Volume White



Become part of the #worldofkreon

- f** kreon.lighting
- @** @kreon_lighting
- in** kreon
- p** kreonlighting

[↑ back to overview page about](#)

kreon offices

kreon HQ

Industrieweg-Noord 1152
3660 Oudsbergen
Belgium
T +32 89 81 97 80
belgium@kreon.com
www.kreon.com

kreon Austria

Schönbrunner Straße 222-228
1120 Vienna
Austria
T +43 676 692 00 10
austria@kreon.com

kreon China / The Belgian House

Changle Road Lane 672, No. 33,
Building No. 5,
Jingan, Shanghai
China
T +86 183 1711 3541
china@kreon.com

kreon France

5, rue d'Aboukir
75002 Paris
France
T +33 1 44 50 53 54
france@kreon.com

kreon Germany

Brühler Straße 11-13
50968 Cologne
Germany
T +49 221 937 22 0
germany@kreon.com

kreon Italy

Via V. Forcella 5
20144 Milano
Italy
T +39 02 89 42 08 46
italy@kreon.com

kreon Middle East & India

Dubai Airport Free Zone Area (DAFZA)
West Wing 6
Office 6 WA 634
P.O. Box 293889
Dubai
United Arab Emirates
T +971 56 705 2522
middle.east@kreon.com

kreon Inc.

North America & Canada

20 Murray Hill Parkway
Suite #180
East Rutherford NJ 07073
United States of America
+1 (201) 298-44 48
usa@kreon.com

kreon Poland

T +48 504 788 355
poland@kreon.com

kreon Scandinavia

T +31 (0)6 52 39 16 80
auke.bakker@kreon.com

kreon South East Asia

T +65 62 22 33 93
singapore@kreon.com

kreon Spain & Portugal

Ángel Guimera 7-9 local C
Barcelona 08017
Spain
T +34 600 462 551
spain@kreon.com

kreon Switzerland

Neufeldweg 6
5103 Möriken
Switzerland
T +41 61 316 74 01
switzerland@kreon.com

kreon The Netherlands

Danzigerbocht 39
1013 AM Amsterdam
The Netherlands
T +31 (0)6 52 391 680
the.netherlands@kreon.com

kreon Turkey

Sehit Murat Demirli Cad.
Resadiye Yolu 76
Alemdag-Ümraniye 34794
Istanbul
Turkey
T +90 216 430 86 00
proje@kreon.com.tr

kreon UK

67 Maltings Place
169 Tower Bridge Road
London
SE1 3LJ
United Kingdom
T +44 (0)20 7740 2112
uk@kreon.com

↑ back to overview page [about](#)

kreon HQ

Industrieweg-Noord 1152
3660 Oudsbergen
Belgium
T +32 89 81 97 80
belgium@kreon.com
www.kreon.com

kreon Austria

Schönbrunner Straße 222-228
1120 Vienna
Austria
T +43 676 692 00 10
austria@kreon.com

kreon China / The Belgian House

Changle Road Lane 672, No. 33,
Building No. 5,
Jingan, Shanghai
China
T +86 183 1711 3541
china@kreon.com

kreon France

5, rue d'Aboukir
75002 Paris
France
T +33 1 44 50 53 54
france@kreon.com

kreon Germany

Brühler Straße 11-13
50968 Cologne
Germany
T +49 221 937 22 0
germany@kreon.com

kreon Italy

Via V. Forcella 5
20144 Milano
Italy
T +39 02 89 42 08 46
italy@kreon.com

kreon Middle East & India

Dubai Airport Free Zone Area (DAFZA)
West Wing 6
Office 6 WA 634
P.O. Box 293889
Dubai
United Arab Emirates
T +971 56 705 2522
middle.east@kreon.com

kreon Inc.**North America & Canada**

20 Murray Hill Parkway
Suite #180
East Rutherford NJ 07073
United States of America
+1 (201) 298-44 48
usa@kreon.com

kreon poland

T +48 504 788 355
poland@kreon.com

kreon Scandinavia

T +31 (0)6 52 39 16 80
auke.bakker@kreon.com

kreon South East Asia

T +65 62 22 33 93
singapore@kreon.com

kreon Spain & Portugal

Ángel Guimera 7-9 local C Barcelona
08017
Spain
T +34 600 462 551
spain@kreon.com

kreon Switzerland

Neufeldweg 6
5103 Möriken
Switzerland
T +41 61 316 74 01
switzerland@kreon.com

kreon The Netherlands

Danzigerbocht 39
1013 AM Amsterdam
The Netherlands
T +31 (0)6 52 391 680
the.netherlands@kreon.com

kreon Turkey

Sehit Murat Demirli Cad.
Resadiye Yolu 76 Alemdag-
Ümraniye 34794 Istanbul
Turkey
T +90 216 430 86 00
proje@kreon.com.tr

kreon UK

67 Maltings Place
169 Tower Bridge Road
London
SE1 3LJ
United Kingdom
T +44 (0)20 7740 2112
uk@kreon.com