

# NICHIHA EX SERIES 3030 PANEL

## HORIZONTAL INSTALLATION MANUAL

【Construction】 Steel Structure

【 Substrate 】 Vertical Metal Framework

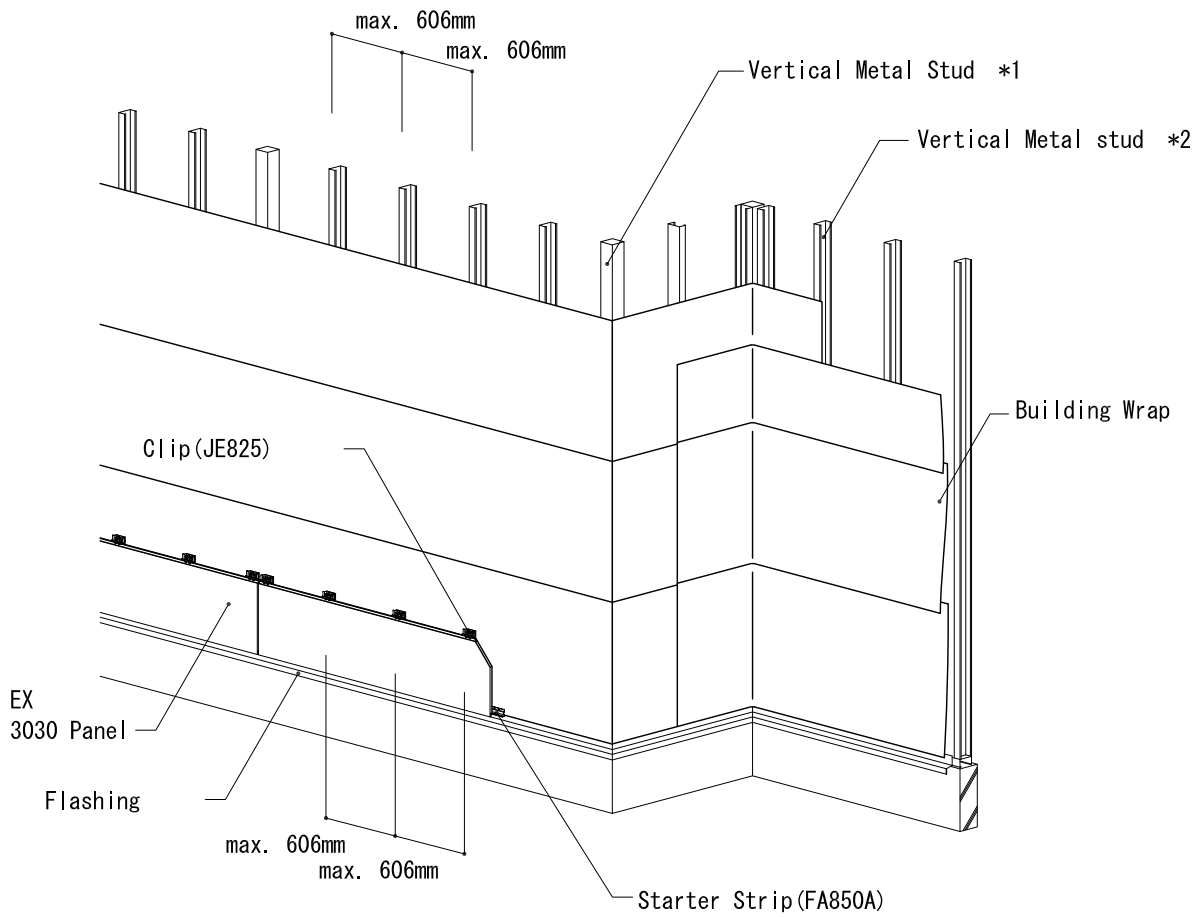
Overview	
Main Member	
Base	
Horizontal Junction	
Vertical Junction	
Internal Corner	
External Corner	Pre-formed Corner
Opennings	Top Bottom Sides
Soffit	Eaves Trim Sealant
Overhang	Overhang Flashing

# NICHIHA EX SERIES

(3030 Panel)

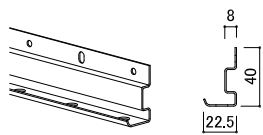
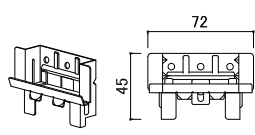
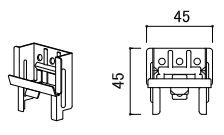
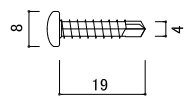
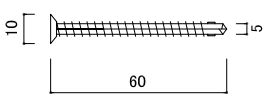
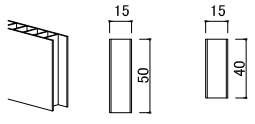
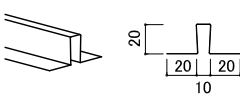
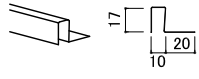
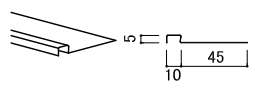
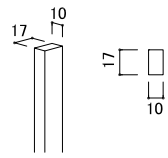
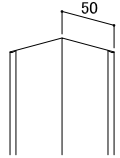
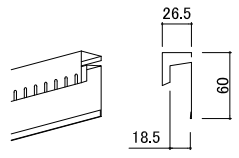
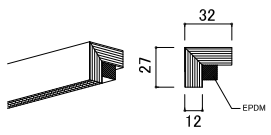
Substrate	Furring Strip	Panel Installation Direction	How to fix
Metal framework	Vertical	Horizontal	Clip (JE825)

## Overview



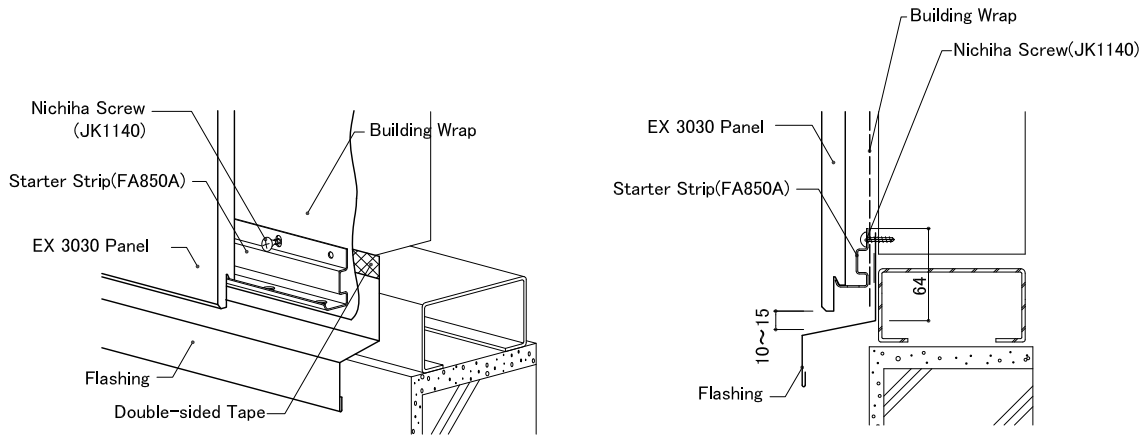
- \* 1 : t = 1.6~2.3mm 、 W ≥ 80mm
- \* 2 : t = 1.6~2.3mm 、 W ≥ 40mm

<b>NICHIHA EX SERIES</b> (3030 feet panel)	Substrate	Furring Strip	Panel Installation Direction	How to fix
	Metal framework	Vertical	Horizontal	Clip (JE825)

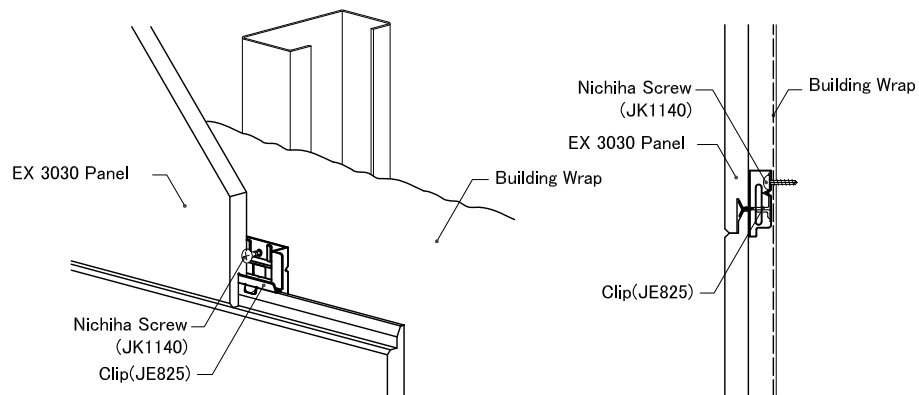
Main Accessories			
<p>■ Starter Strip</p>  <p>【FA850A】          Material : Painted 55%Al-Zn-coated steel sheet          Thickness : 1.0mm          Length : 3,030mm          Fastening : @606mm or less interval          Note : fix with Nichiha Screws</p>	<p>■ Clip</p>  <p>【JE825】          Material : Zn-11%Al-3%Mg-0.2%Si-coated steel sheet          Note : fix with Nichiha Screws</p>	<p>■ Corner Clip</p>  <p>【JE825C】          Material : Zn-11%Al-3%Mg-0.2%Si-coated steel sheet          Note : fix with Nichiha Screws</p>	<p>■ Nichiha Screw (for fixing Starter Strip・Clip)</p>  <p>【JK1140】          Material : Stainless          Size : φ4mm × 19mm</p>
<p>■ Nichiha Screw (for face fixing Panel)</p>  <p>【JK1250】          Material : Stainless          Size : φ5mm × 60mm</p>	<p>■ Spacer 15</p>  <p>【FS1015】          Length : 1,200mm          Material : Polypropylene          (Piece Type)          【FSP1015】          Size : 40 × 40 × 15mm          Material : Polypropylene</p>	<p>■ Sealant Backer Double flange 20</p>  <p>【FH1020R】          Material : Fluoroplastic Resin Coated 55%Al-Zn-coated steel sheet          Thickness : 0.3mm          Length : 3,030mm</p>	<p>■ Sealant Backer Single flange 17</p>  <p>【FHK1017R】          Material : Fluoroplastic Resin Coated 55%Al-Zn-coated steel sheet          Thickness : 0.3mm          Length : 2,000mm</p>
<p>■ Sealant Backer Single flange 05</p>  <p>【FHK1105R】          Material : Fluoroplastic Resin Coated 55%Al-Zn-coated steel sheet          Thickness : 0.3mm          Length : 2,000mm</p>	<p>■ Backer Rod 17</p>  <p>【FB1017】          Length : 1,000mm          Material : Polyethylene foam</p>	<p>■ Corner Backing Angle 50</p>  <p>【JR1900】          Material : 55%Al-Zn-coated steel sheet</p>	<p>■ Eaves Trim 16</p>  <p>【Product number: FTM10□□】          Material : Painted 55%Al-Zn-coated steel sheet          Length : 3,030mm</p>
<p>■ L-Form Cavity Vent</p>  <p>【FSK1000】          Material : Polyethylene          Length : 1,220mm</p>			

<b>NICHIHA EX SERIES</b> (3030 Panel)	Substrate	Furring Strip	Panel Installation Direction	How to fix
	Metal framework	Vertical	Horizontal	Clip (JE825)

### Base



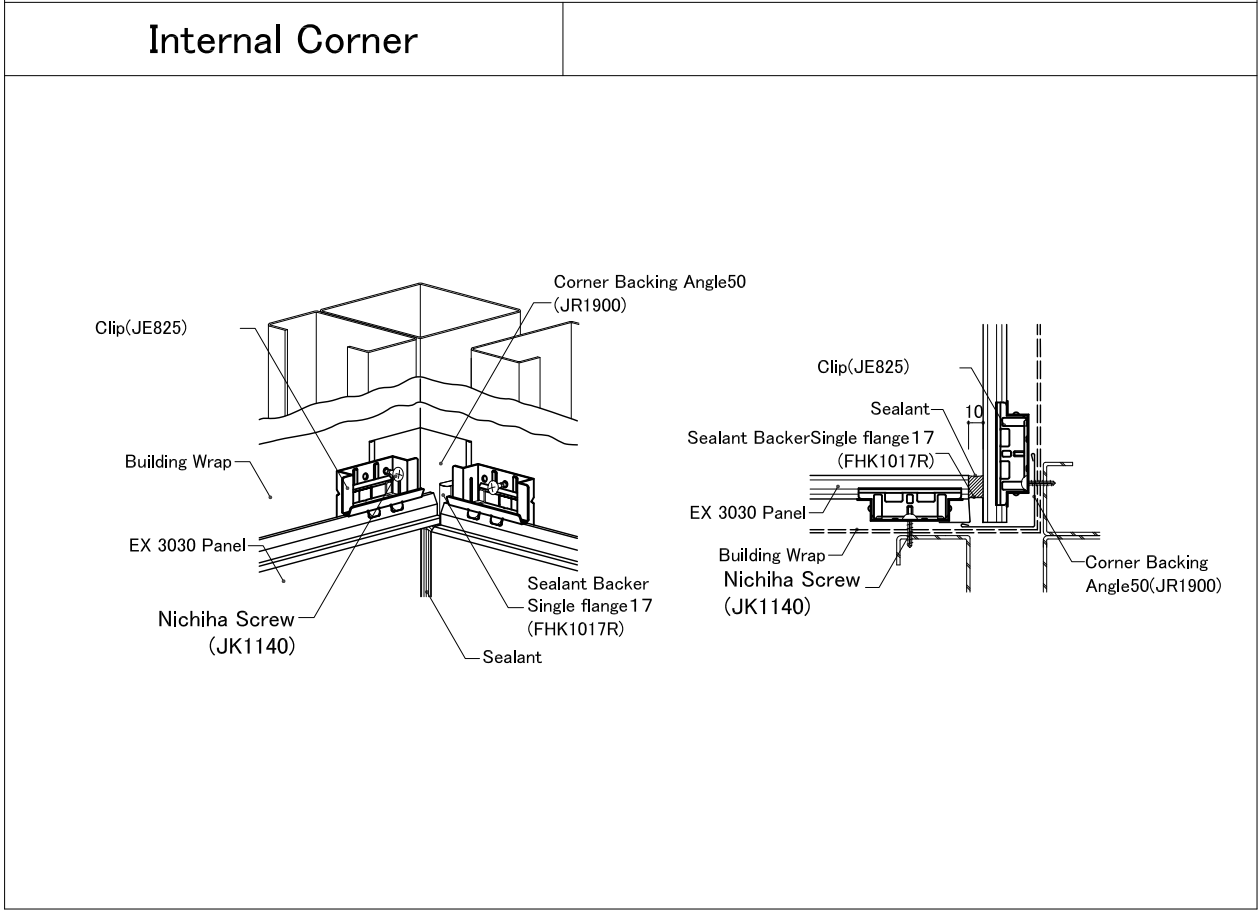
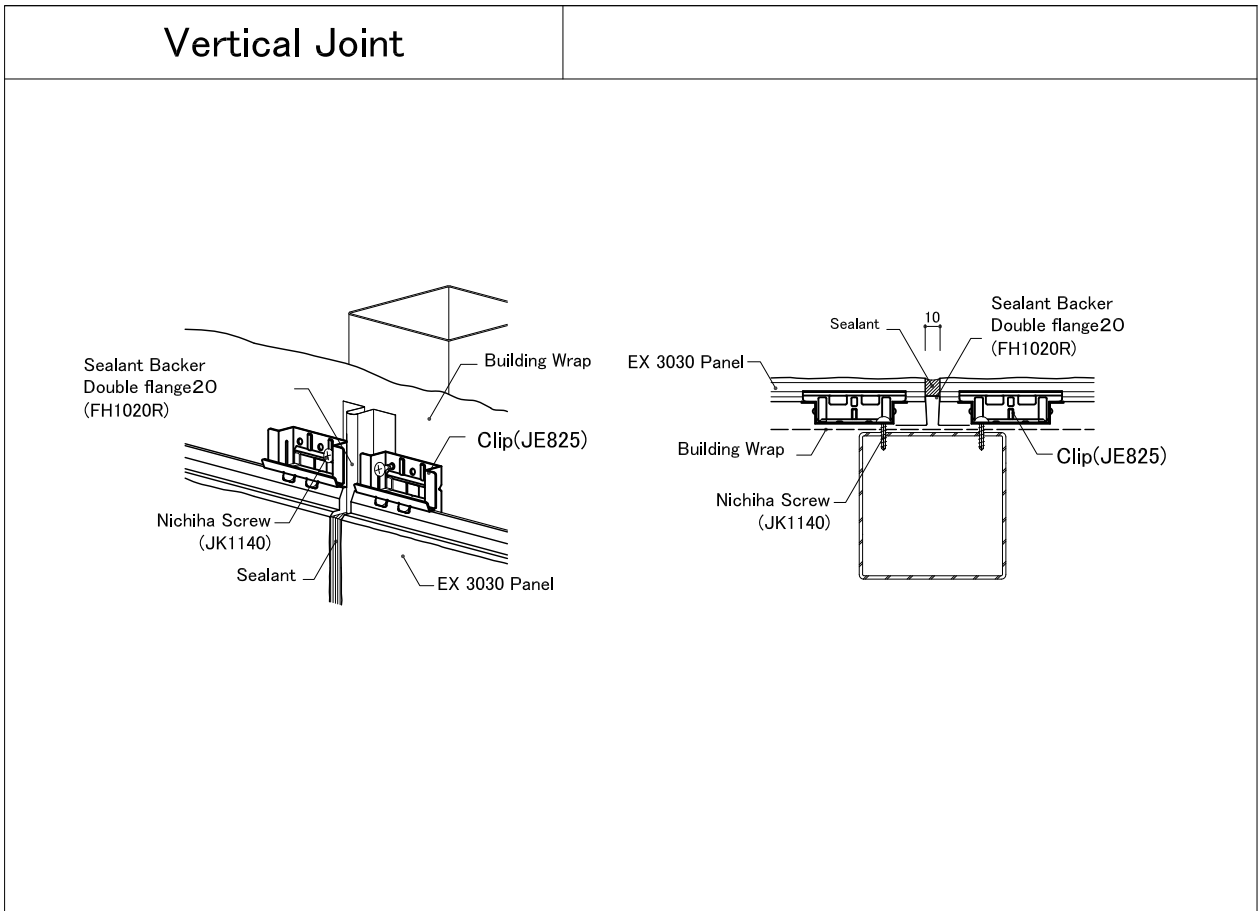
### Horizontal Joint



# NICHIHA EX SERIES

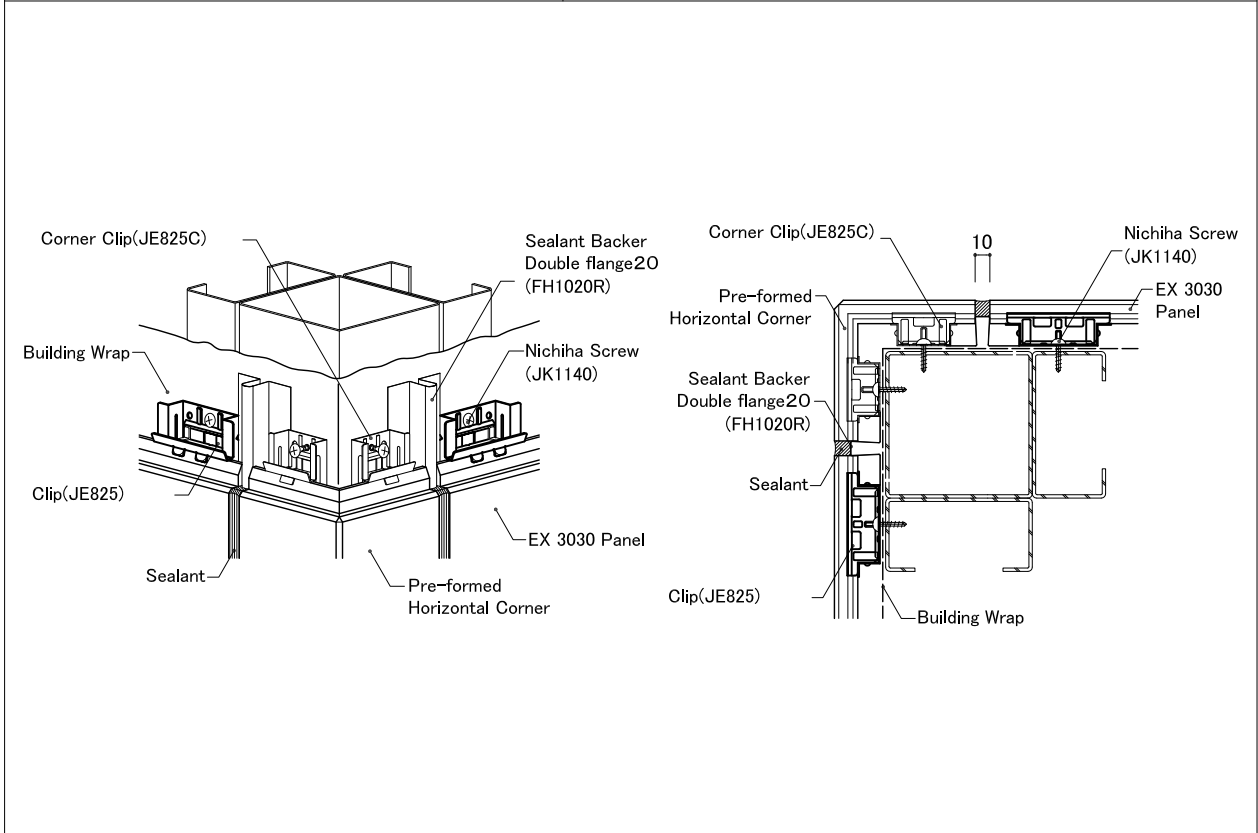
(3030 Panel)

Substrate	Furring Strip	Panel Installation Direction	How to fix
Metal framework	Vertical	Horizontal	Clip (JE825)

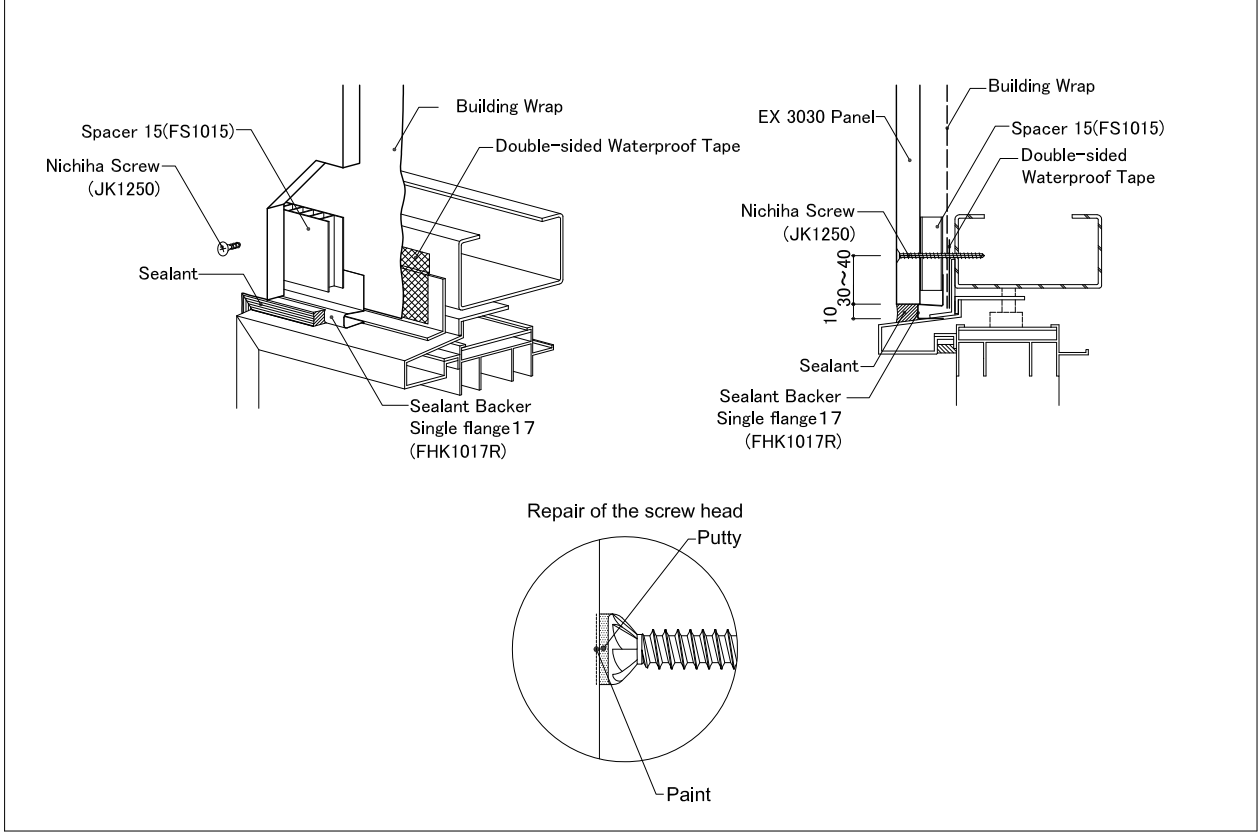


<b>NICHIHA EX SERIES</b> (3030 Panel)	Substrate	Furring Strip	Panel Installation Direction	How to fix
	Metal framework	Vertical	Horizontal	Clip (JE825)

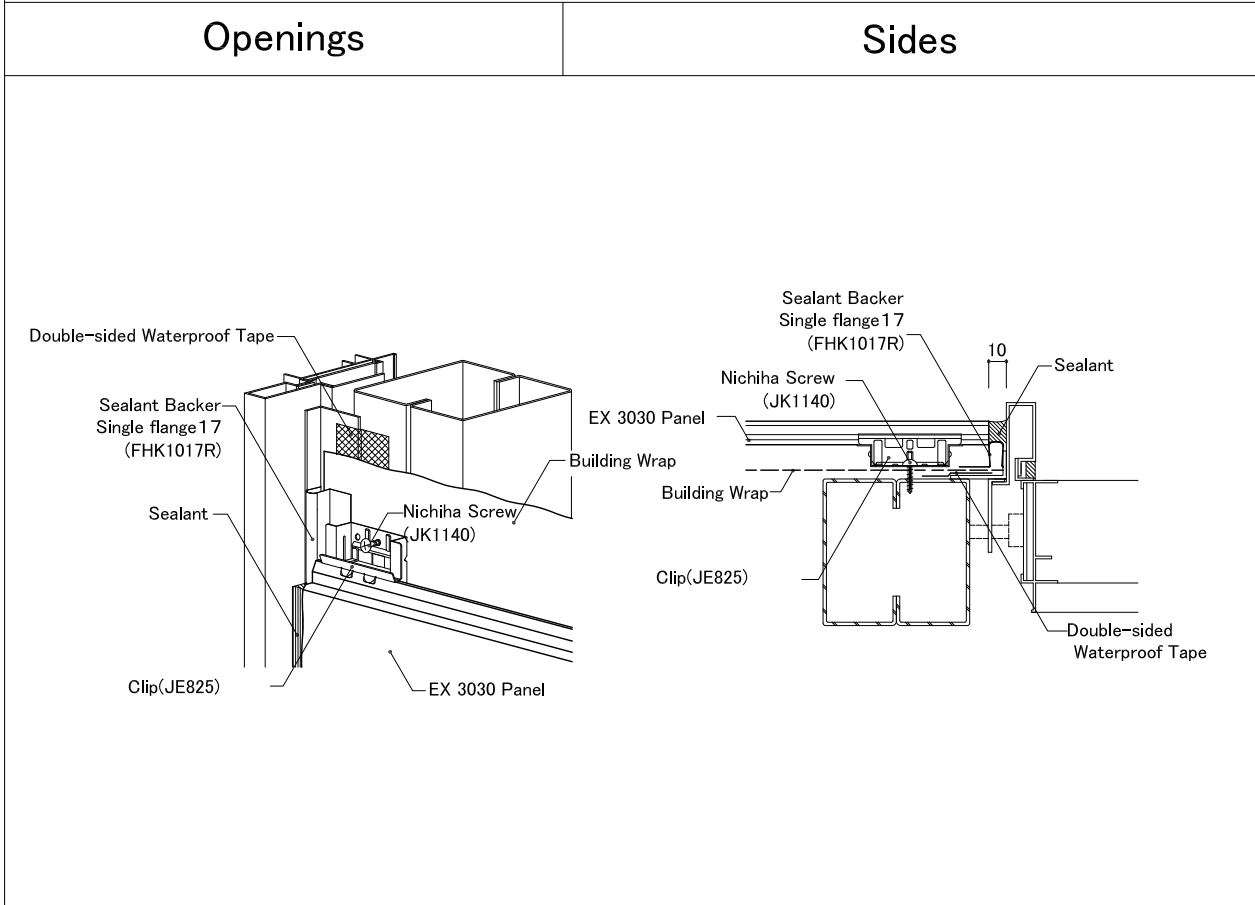
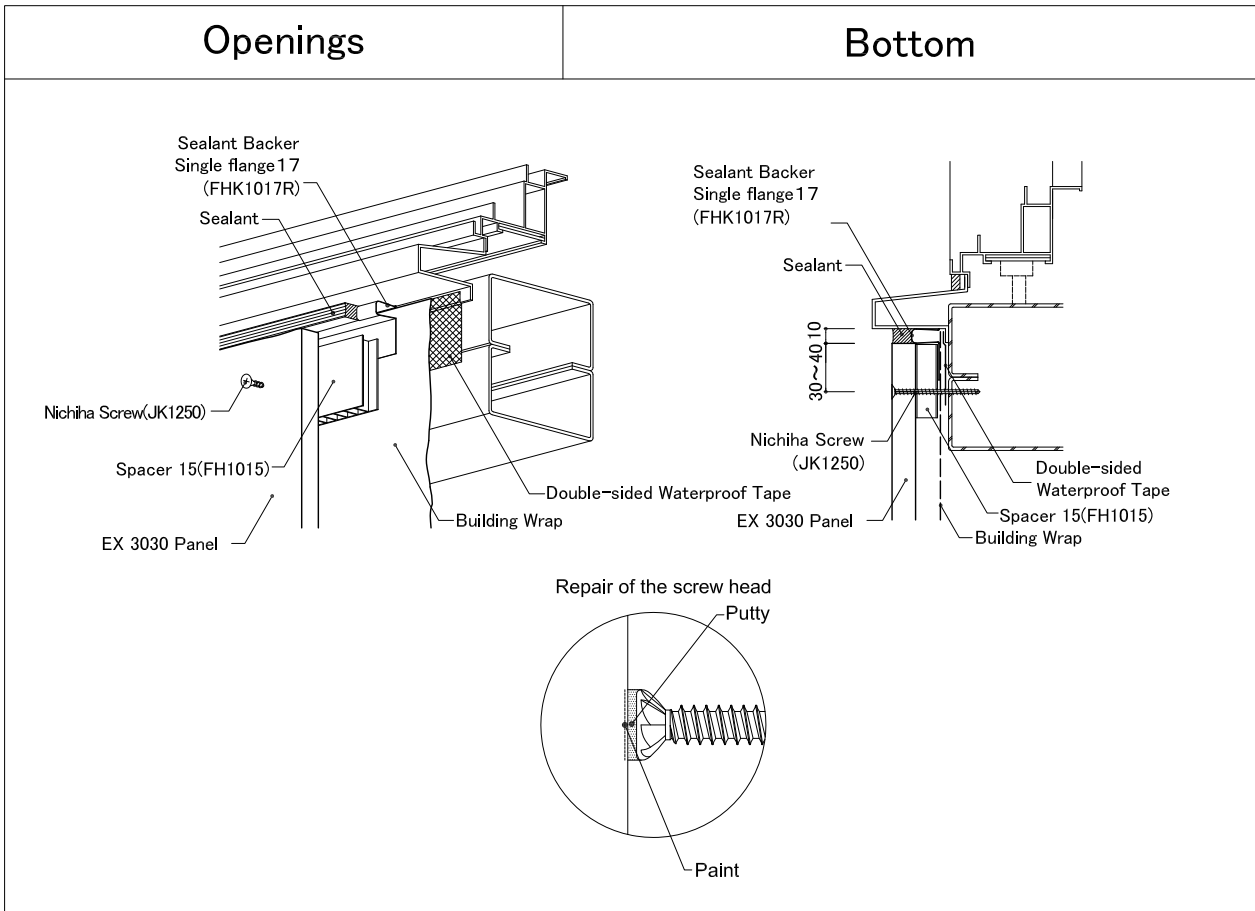
External Corner	Pre-formed Corner
-----------------	-------------------



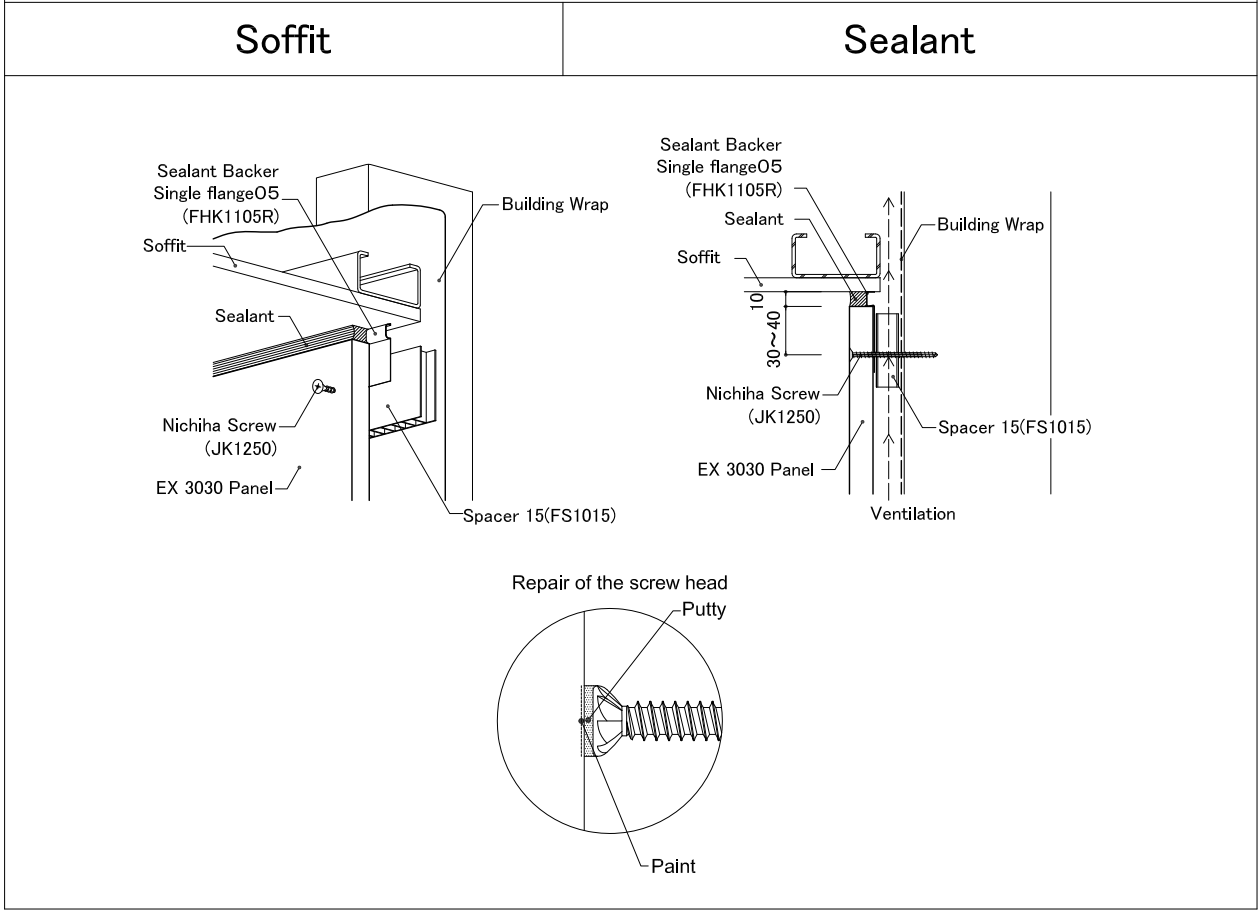
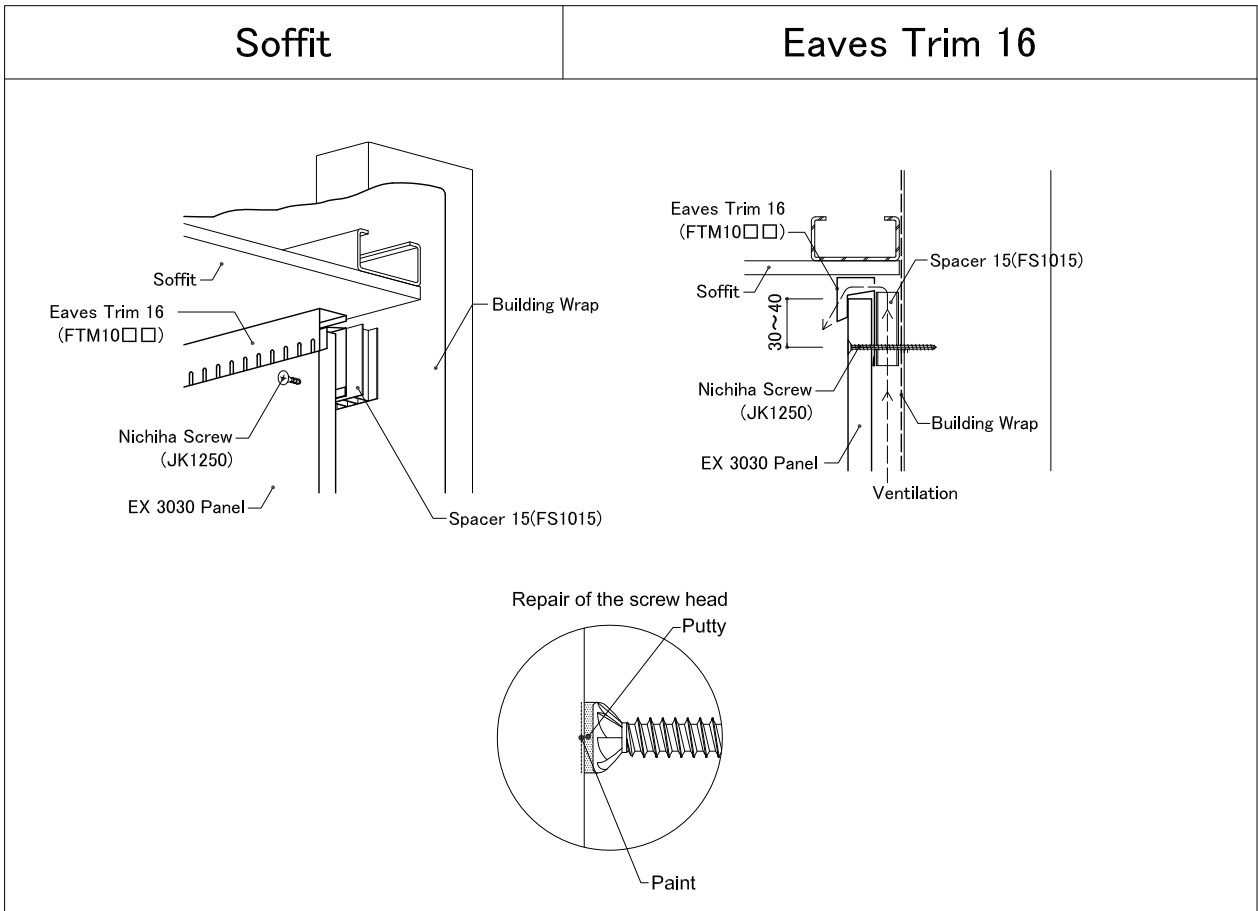
Openings	Top
----------	-----



<b>NICHIHA EX SERIES</b> (3030 Panel)	Substrate	Furring Strip	Panel Installation Direction	How to fix
	Metal framework	Vertical	Horizontal	Clip (JE825)



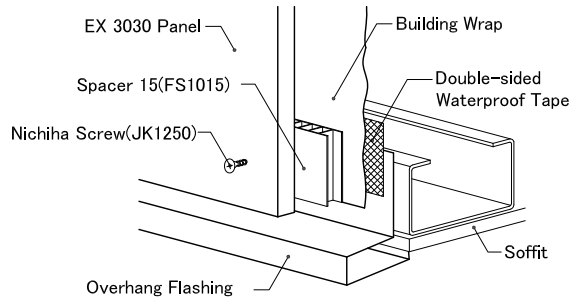
<b>NICHIHA EX SERIES</b> (3030 Panel)	Substrate	Furring Strip	Panel Installation Direction	How to fix
	Metal framework	Vertical	Horizontal	Clip (JE825)



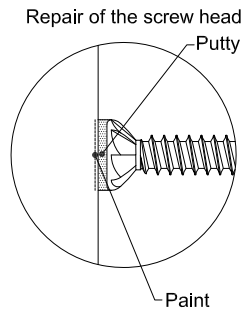
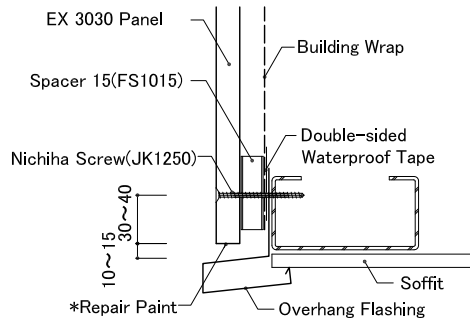


NICHIIHA EX SERIES (3030 Panel)	Substrate	Furring Strip	Panel Installation Direction	How to fix
	Metal framework	Vertical	Horizontal	Clip (JE825)

### Overhang



### Overhang Flashing



#### Cut Edge

Repair the cut edge of Nichiha EX. Apply sealer twice or repair coating after the sealer application with the touch-up paint.

### Parapet

### L-Form Cavity Vent

