

# NICHIHA EX SERIES 1818/1820 PANEL (Fu-ge) HORIZONTAL INSTALLATION MANUAL

【Construction】 Steel Structure

【 Substrate 】 Vertical Metal Framework

Overview	
Main Member	
Base	
Horizontal Joint	Shiplap Joint Flashing
Vertical Joint	
Internal Corner	
External Corner	Pre - formed Corner
Overhang	
Soffit	
Parapet	
Openings	Top Sides Bottom

# NICHIHA EX SERIES

(1818/1820 Panel - Fu-ge)

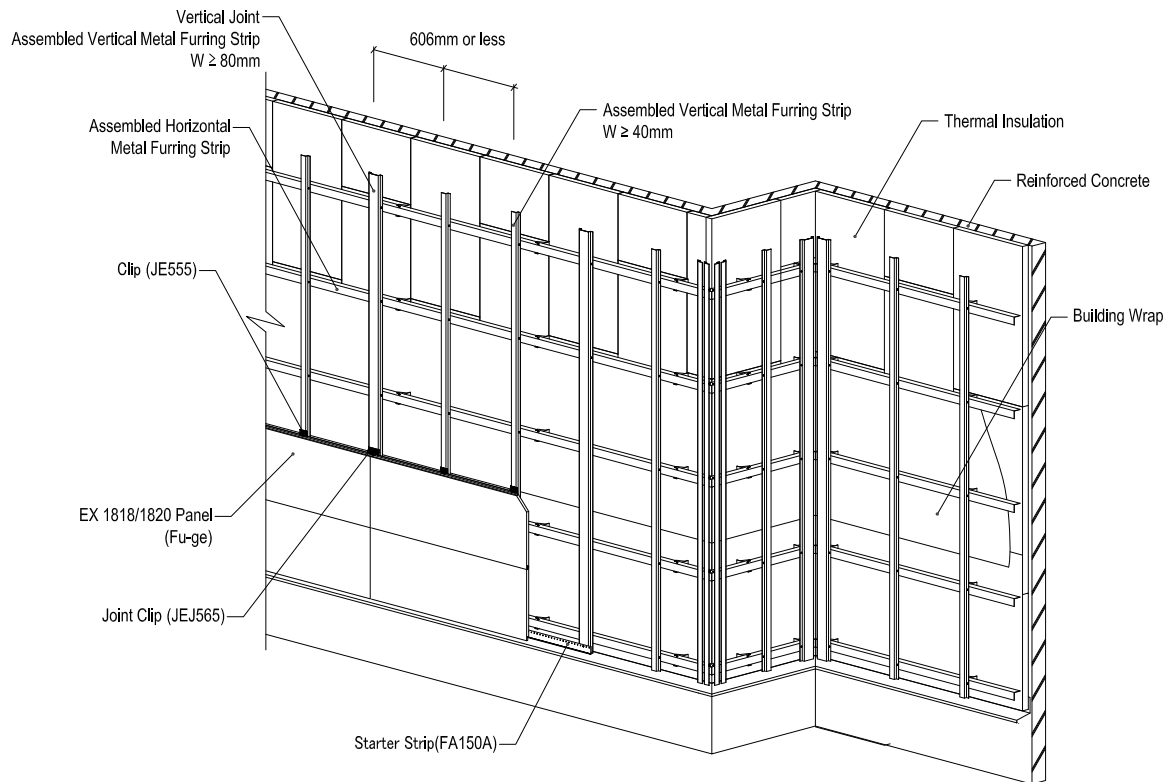
Substrate  
Metal Furring Strip

Furring Strip  
Vertically

Panel Installation  
Direction  
Horizontal

How to fix  
Clip  
(JE555)

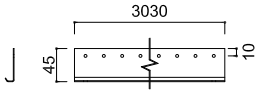
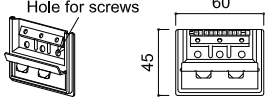
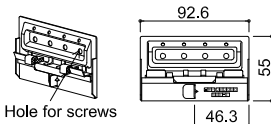
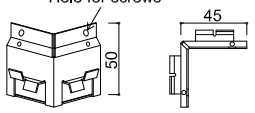

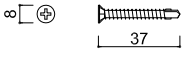
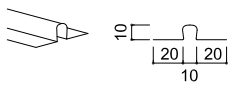
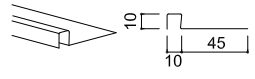
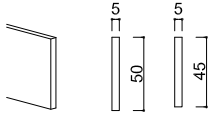
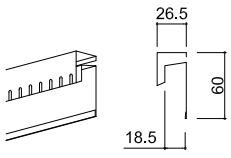
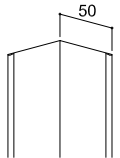
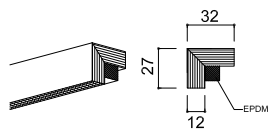
## Overview



# NICHIHA EX SERIES

(1818/1820 Panel - Fu-ge)

Substrate	Furring Strip	Panel Installation Direction	How to fix
Metal Furring Strip	Vertical	Horizontal	Clip (JE555)

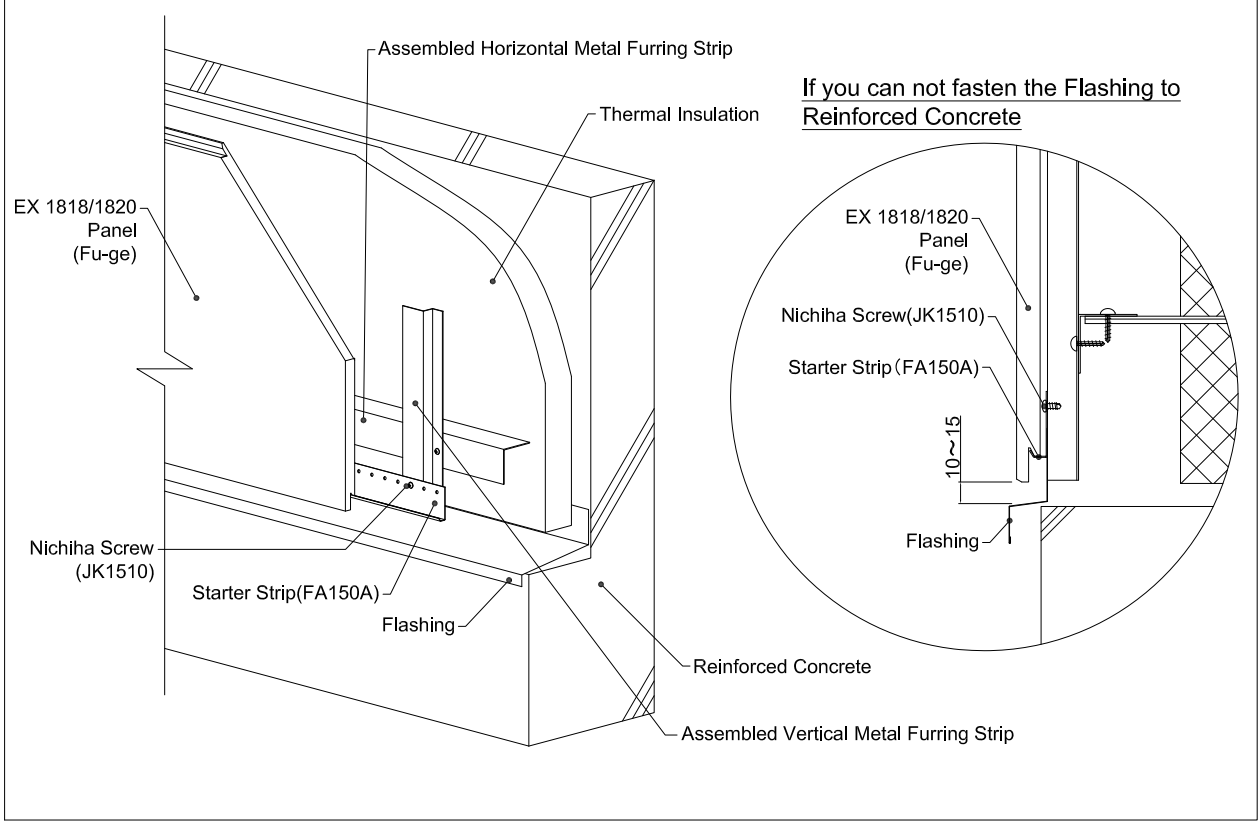
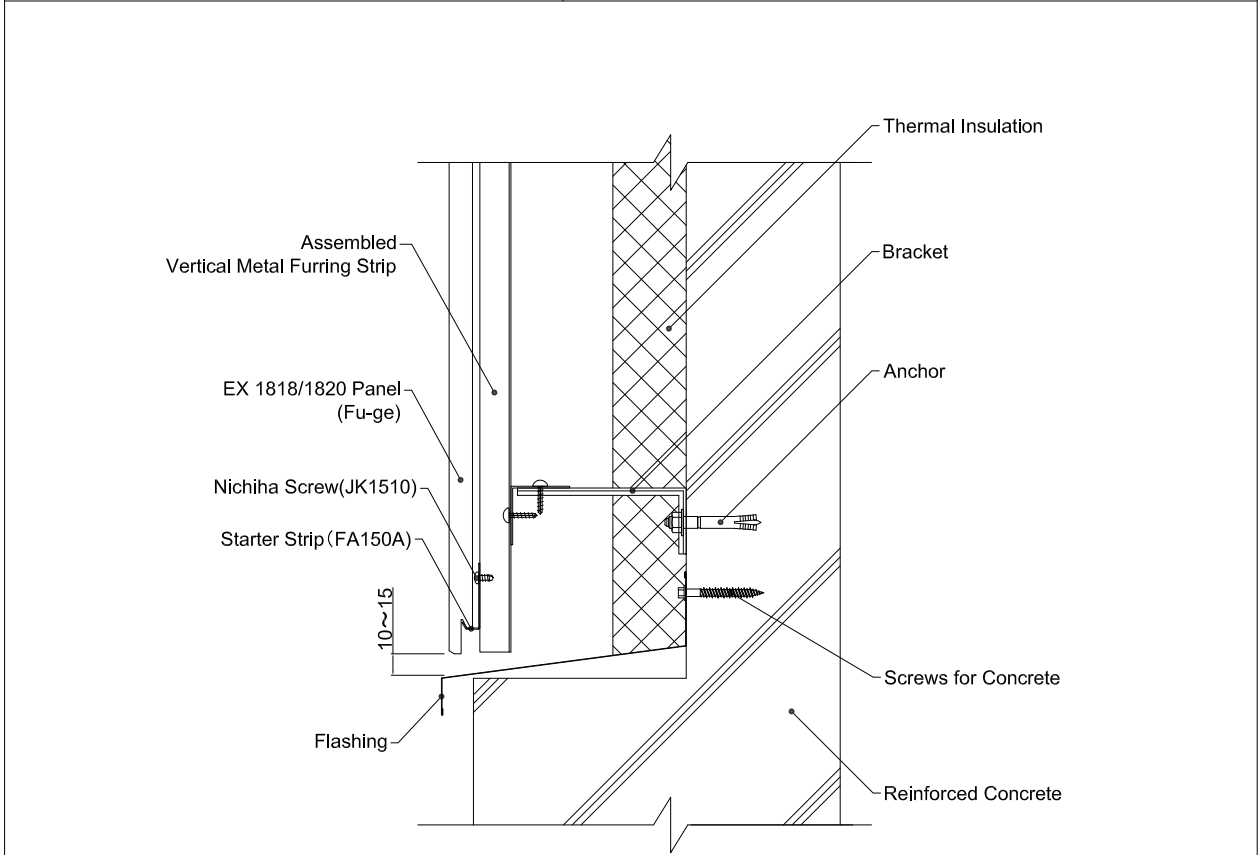
Main Accessories			
<p>■ Starter Strip</p>  <p>【FA150A】 Material: Painted 55%Al-Zn-coated steel sheet Thickness: 1.0mm Length: 3,030mm Fastening interval: @606mm or less Note: fix with Nichiha Screws</p>	<p>■ Clip</p>  <p>【JE555】 Material: Zn-11%Al-3%Mg-0.2%Si-coated steel sheet Note: fix with Nichiha Screws</p>	<p>■ Joint Clip</p>  <p>【JEJ565】 Material: Painted Zn-11%Al-3%Mg-0.2%Si-coated steel sheet Note: fix with 2 Nichiha Screws</p>	<p>■ L-Form Corner Clip</p>  <p>【JE550C】 Material: Zn-11%Al-3%Mg-0.2%Si-coated steel sheet Note: fix with Nichiha Screws</p>
<p>■ Nichiha Screw (for fixing Starter Strip・Clips)</p>  <p>【JK1510】 Material: Stainless Size: φ4.5mm×10mm</p>	<p>■ Nichiha Screw (for face fixing Panel)</p>  <p>【JK1520】 Material: Stainless Size: φ4.5mm×37mm</p>	<p>■ Sealant Backer Double Flange 10</p>  <p>【FH1010R】 Material: Fluoroplastic resin coated 55%Al-Zn-coated steel sheet Thickness: 0.3mm Length: 3,030mm</p>	<p>■ Sealant Backer Single Flange 10</p>  <p>【FHK1110R】 Material: Fluoroplastic resin coated 55%Al-Zn-coated steel sheet Thickness: 0.3mm Length: 2,000mm</p>
<p>■ Spacer 05</p>  <p>【FS1005】 Length: 1,200mm Material: Polypropylene</p> <p>(Piece Type) 【FSP1005】 Length: 1,000mm Materials: Polypropylene</p>	<p>■ Eaves Trim 16</p>  <p>【FTM10□□】 Material: Painted 55%Al-Zn-coated steel sheet Thickness: 0.3mm Length: 3,030mm</p>	<p>■ Internal Corner Backing</p>  <p>【JR1900】 Materials: Painted 55%Al-Zn-coated steel sheet Thickness: 0.27mm Length: 3,030mm</p>	<p>■ L-Form Cavity Vent</p>  <p>【FSK1000】 Material: Polyethylene Length :1,220mm</p>

# NICHIHA EX SERIES

(1818/1820 Panel - Fu-ge)

Substrate	Furring Strip	Panel Installation Direction	How to fix
Metal Furring Strip	Vertical	Horizontal	Clip (JE555)

Base	Flashing , Starter strip
------	--------------------------



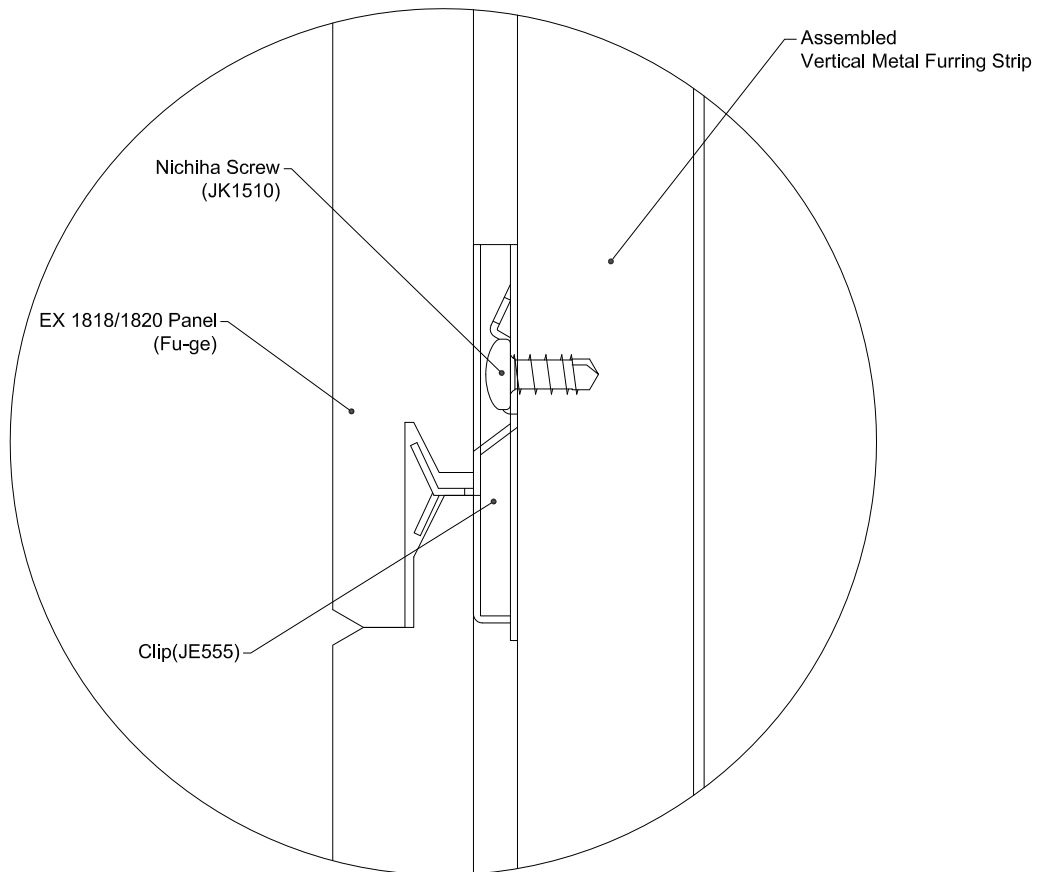
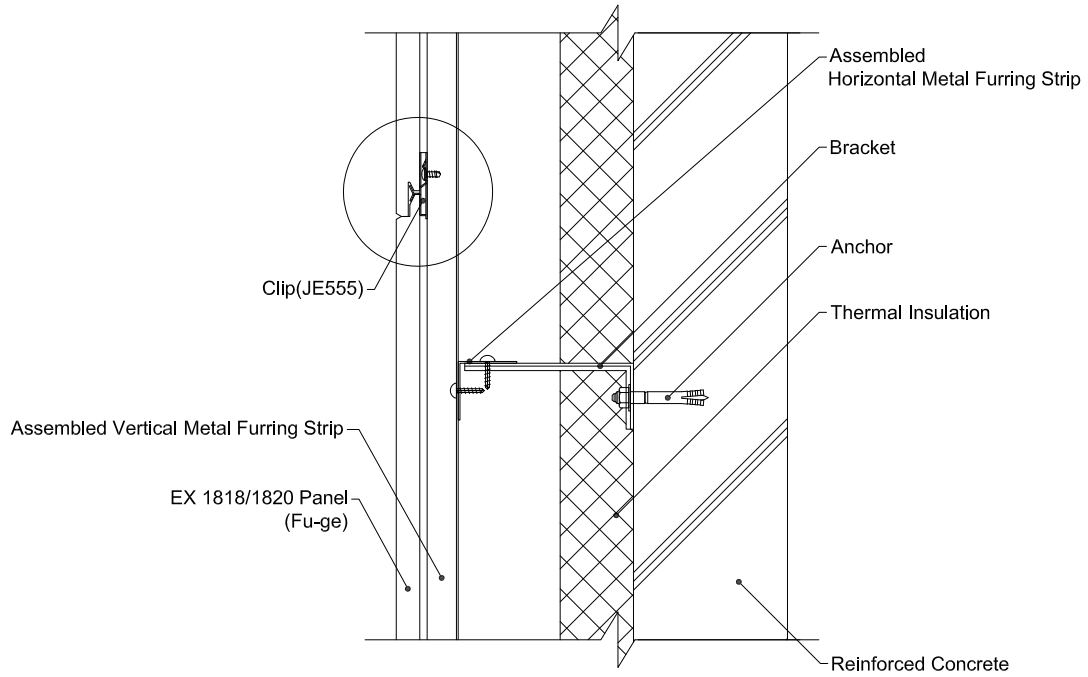
# NICHIHA EX SERIES

(1818/1820 Panel - Fu-ge)

Substrate	Furring Strip	Panel Installation Direction	How to fix
		Metal Furring Strip	Vertical

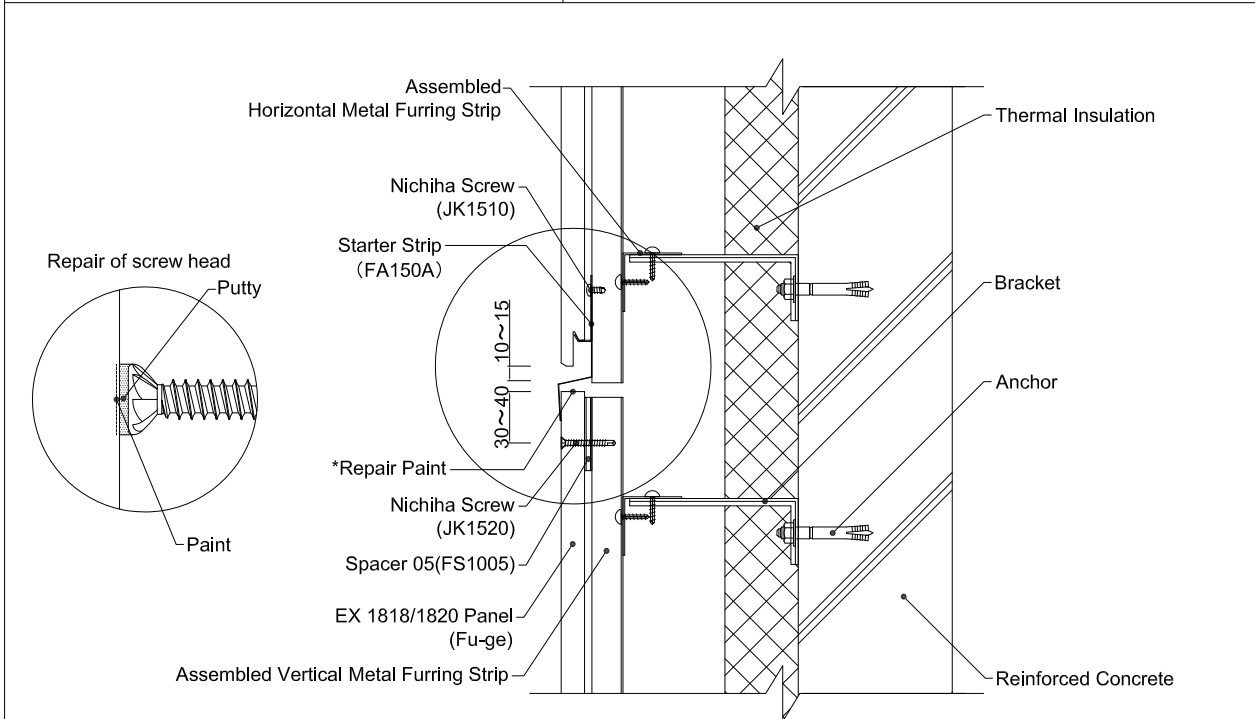
## Horizontal Joint

## Shi lap Joint



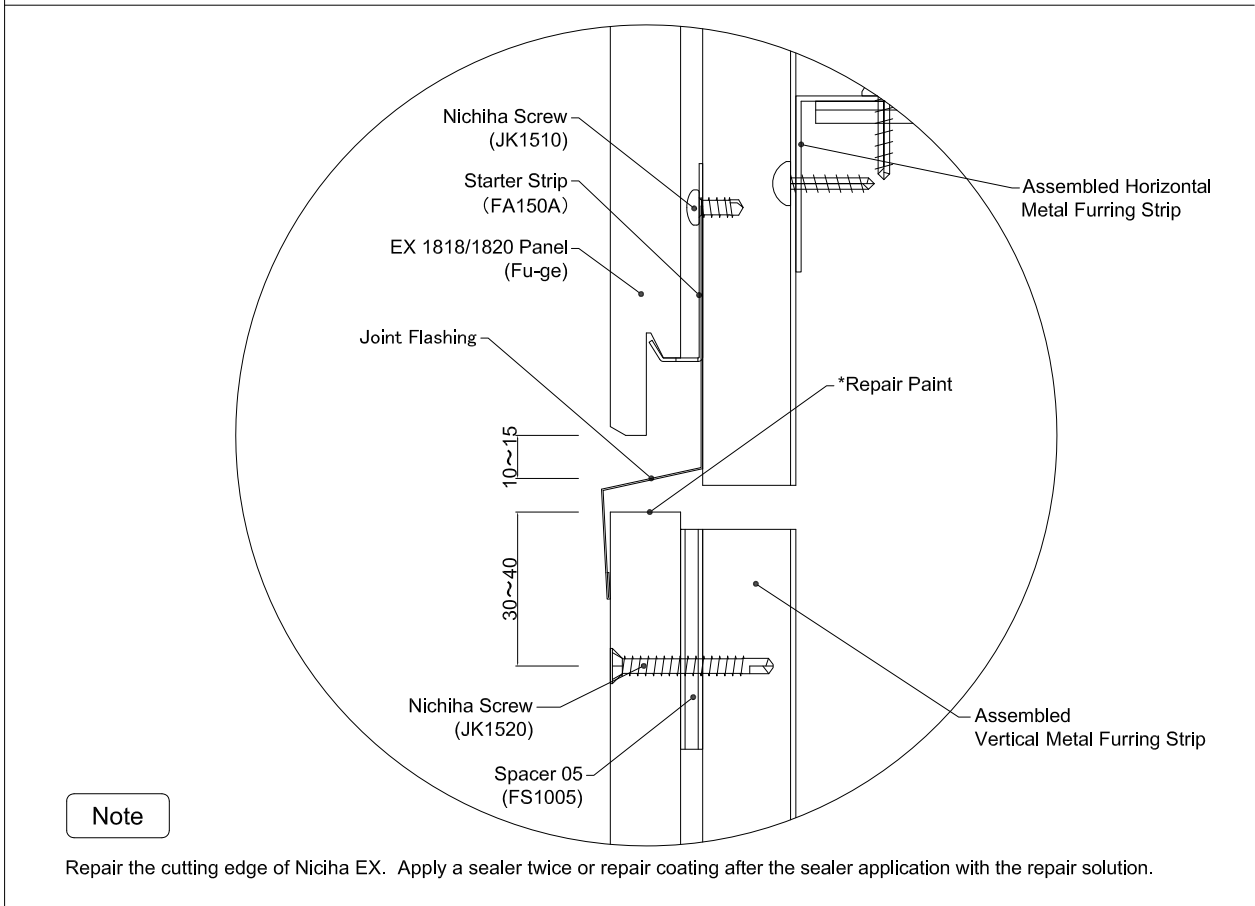
NICHHA EX SERIES (1818/1820 Panel - Fu-ge)	Substrate	Furring Strip	Panel Installation Direction	How to fix
	Metal Furring Strip	Vertical	Horizontal	Clip (JE555)

Horizontal Joint	Flashing
------------------	----------



**Note**

Repair the cutting edge of Niciha EX. Apply a sealer twice or repair coating after the sealer application with the repair solution.



**Note**

Repair the cutting edge of Niciha EX. Apply a sealer twice or repair coating after the sealer application with the repair solution.

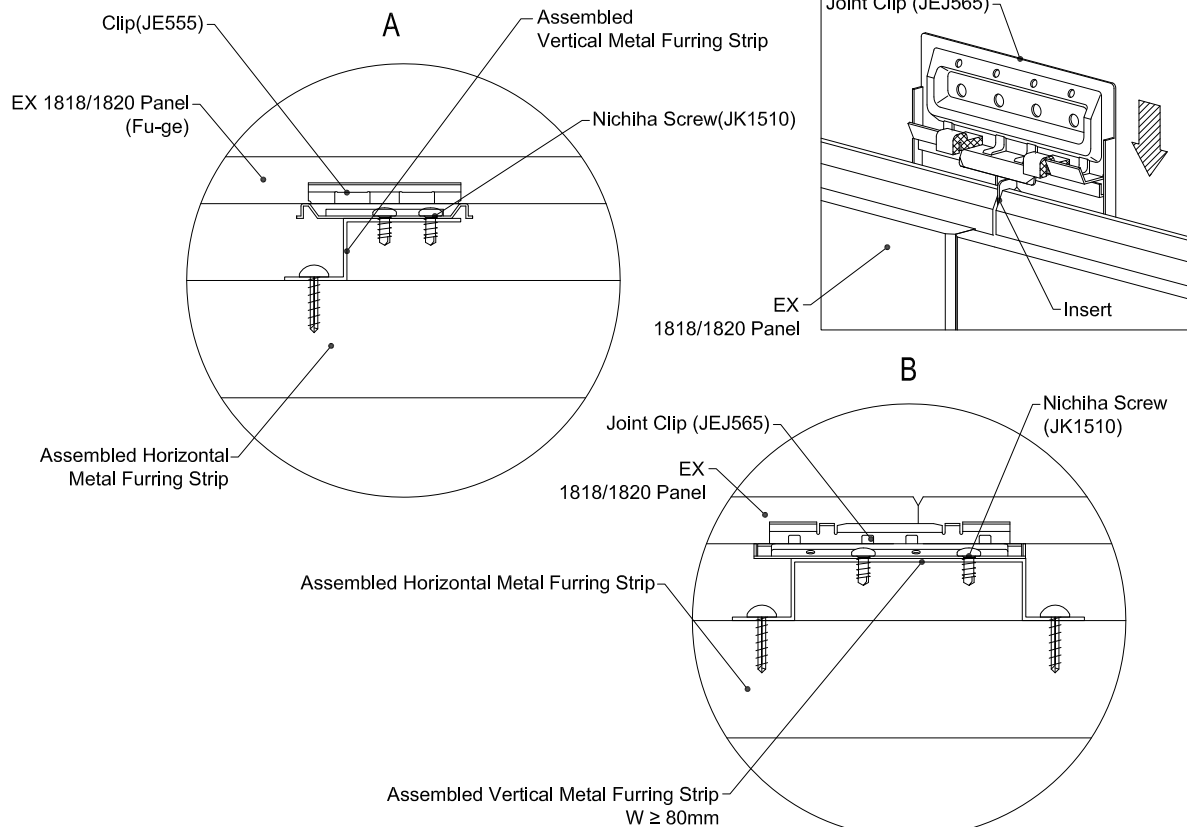
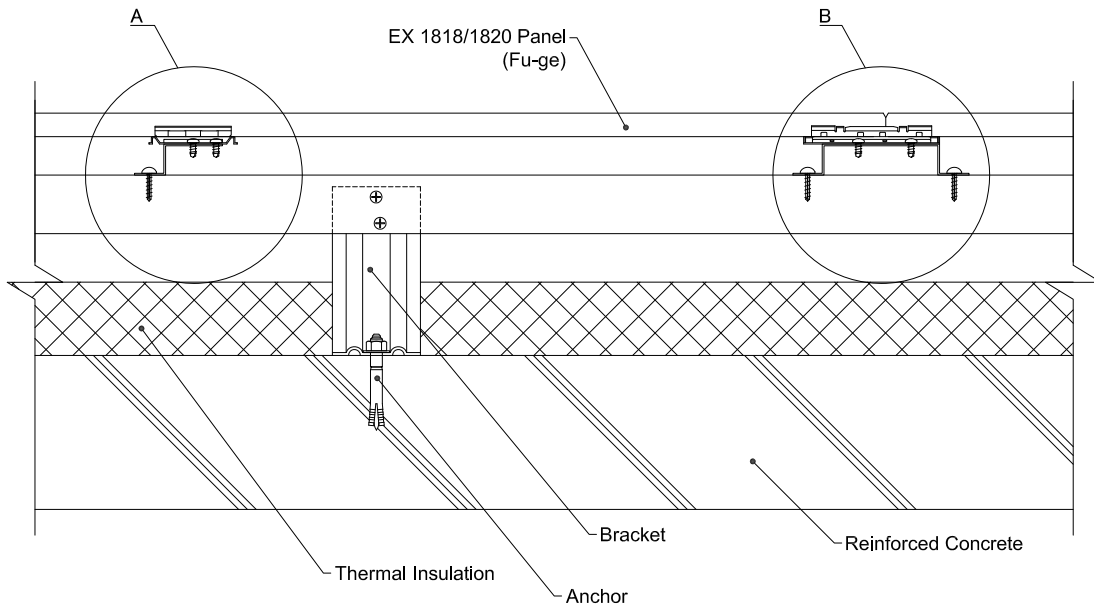
# NICHIHA EX SERIES

(1818/1820 Panel - Fu-ge)

Substrate	Furring Strip	Panel Installation Direction	How to fix
Metal Furring Strip	Vertical	Horizontal	Clip (JE555)

## Vertical Joint

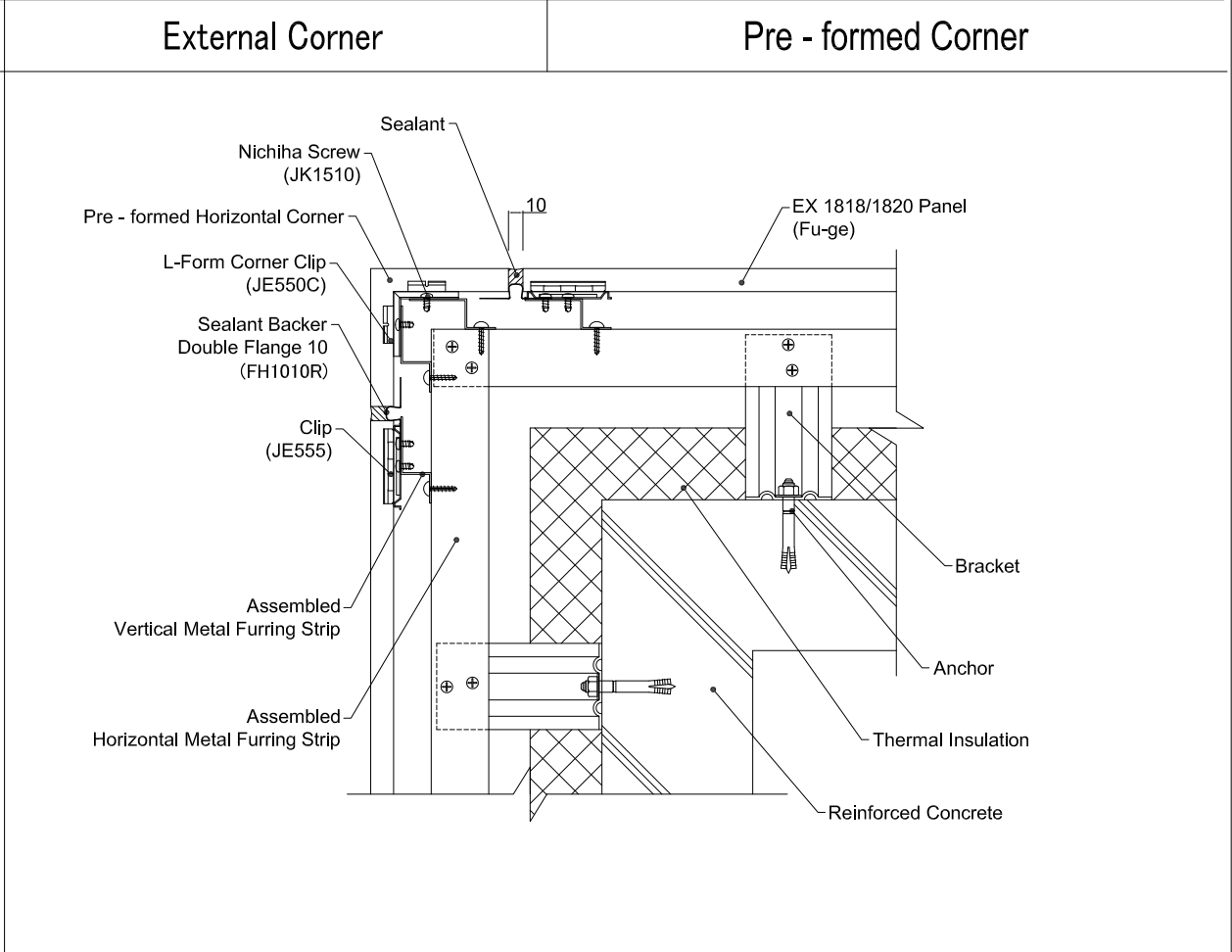
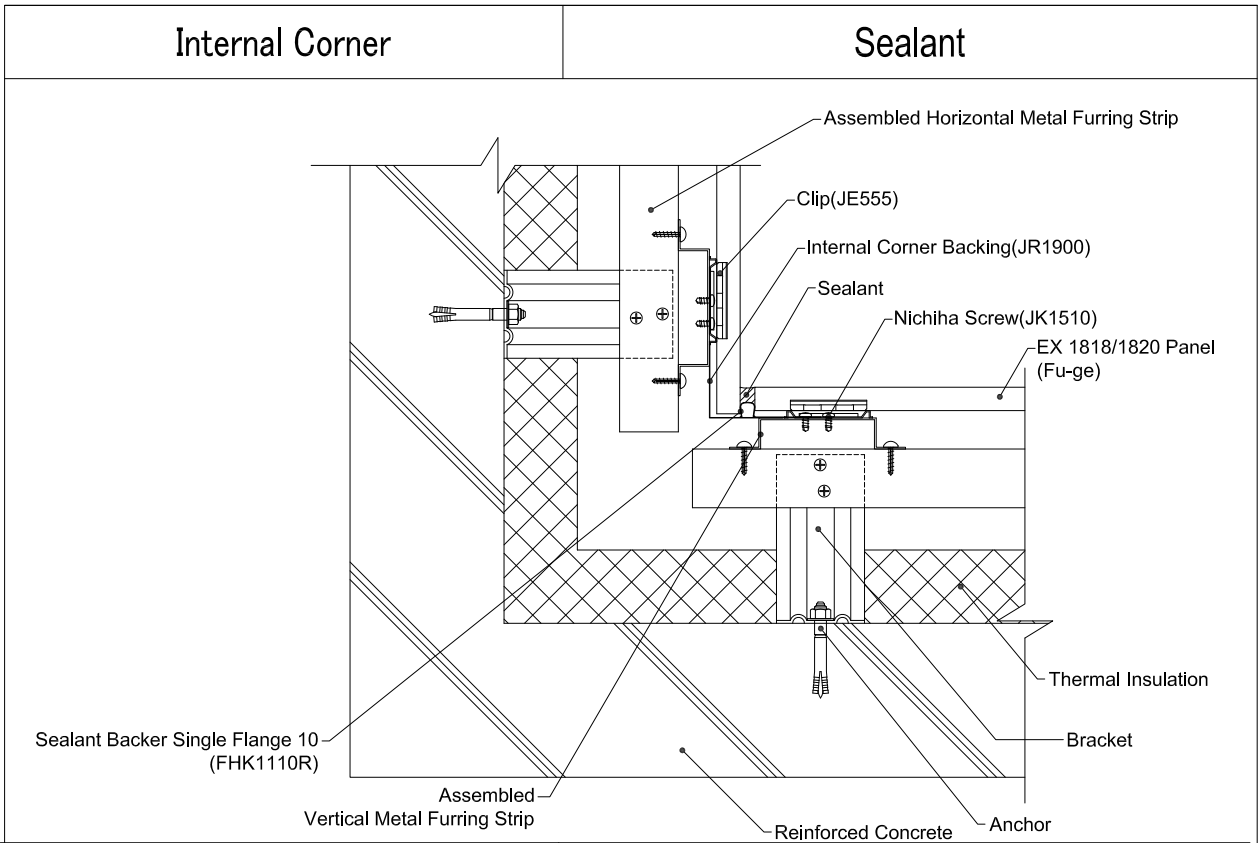
## Shiplap Joint



# NICHIHA EX SERIES

(1818/1820 Panel - Fu-ge)

Substrate	Furring Strip	Panel Installation Direction	How to fix
Metal Furring Strip	Vertical	Horizontal	Clip (JE555)

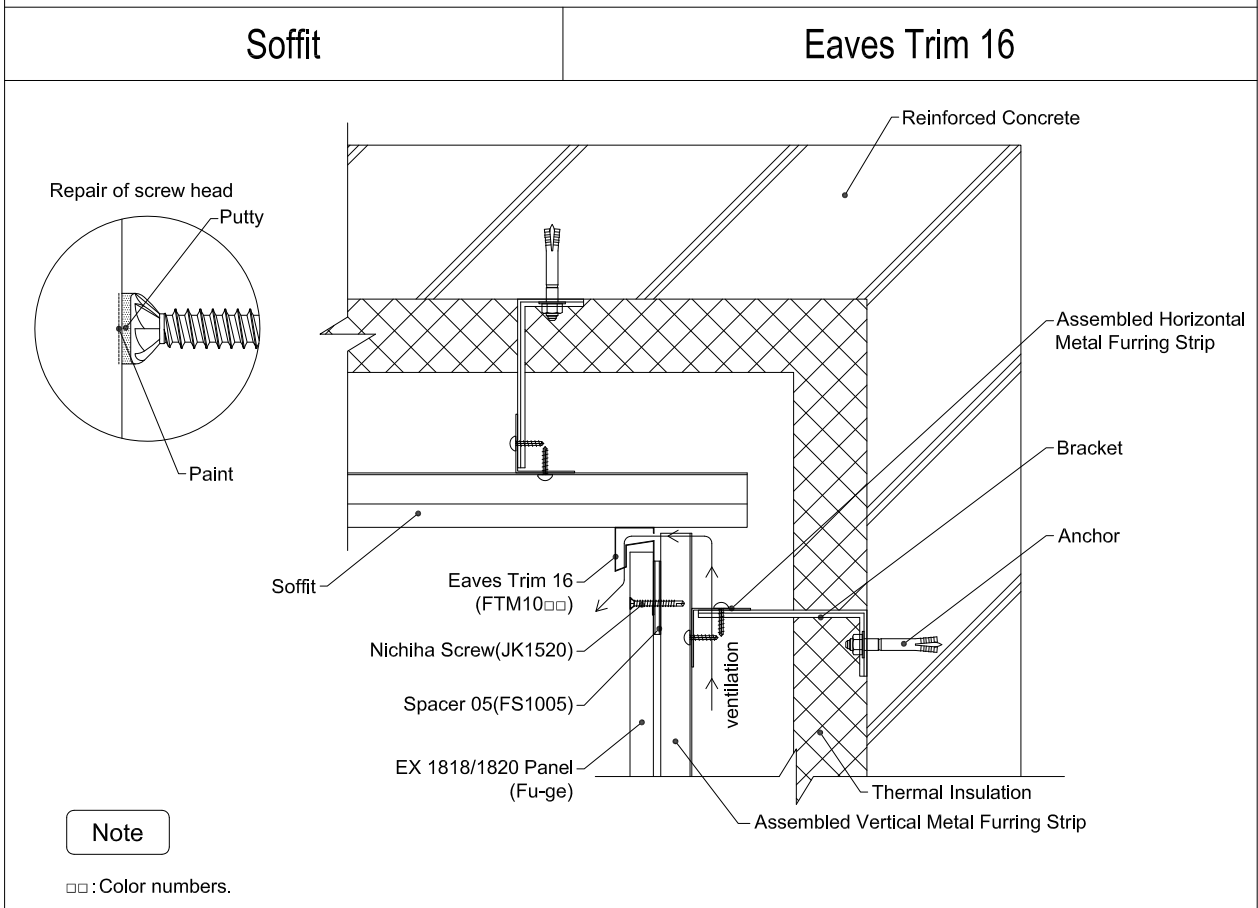
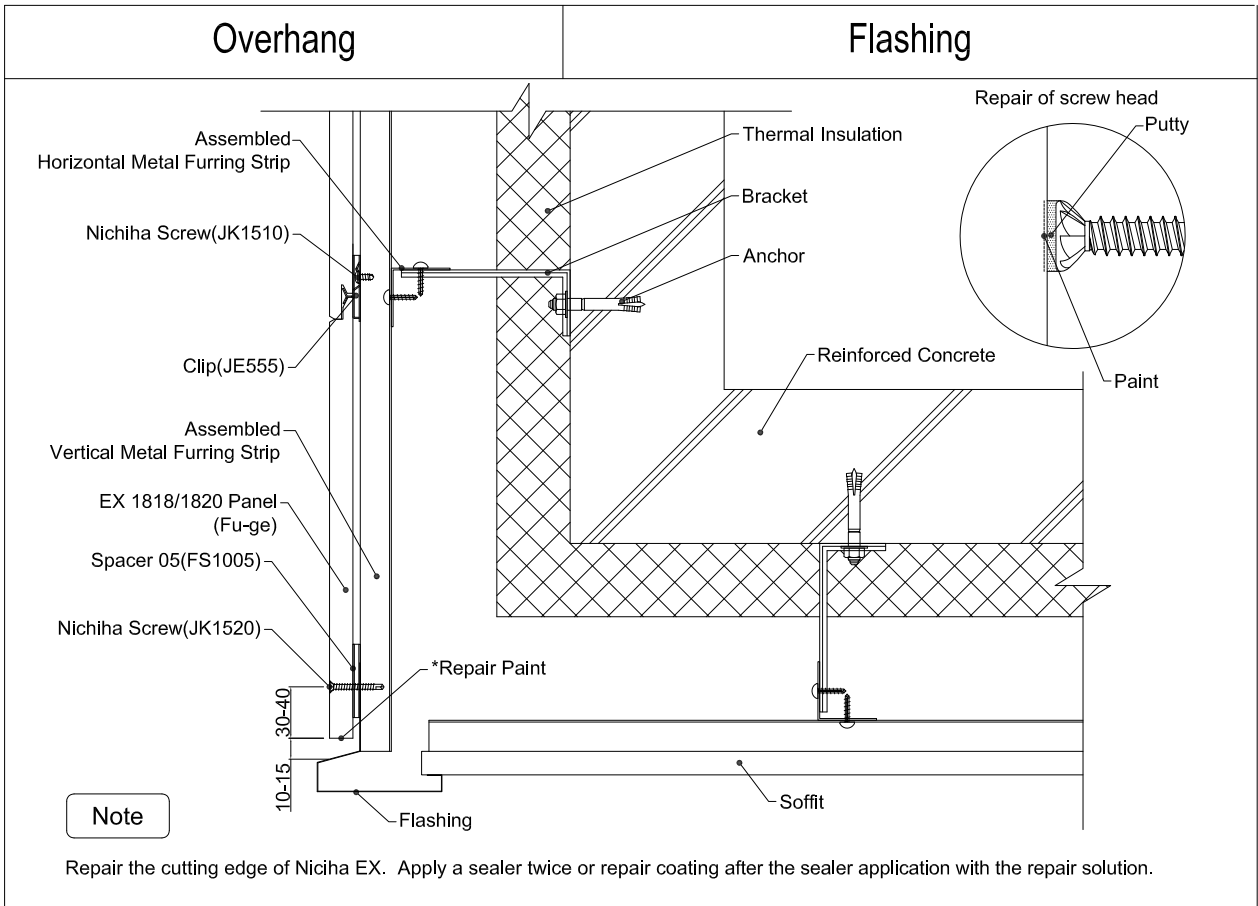




# NICHIHA EX SERIES

(1818/1820 Panel - Fu-ge)

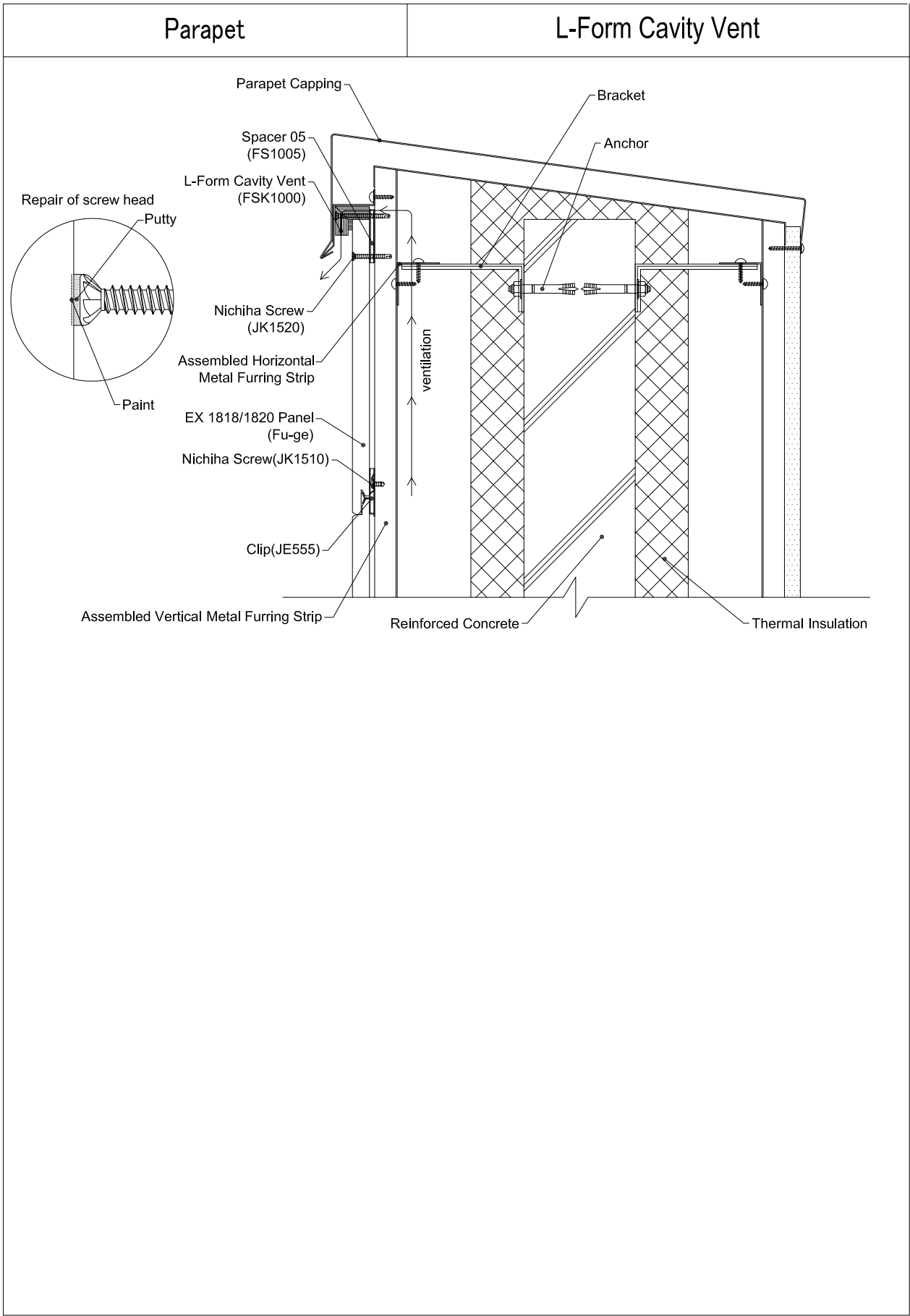
Substrate	Furring Strip	Panel Installation Direction	How to fix
Metal Furring Strip	Vertical	Horizontal	Clip (JE555)



# NICHIHA EX SERIES

(1818/1820 Panel - Fu-ge)

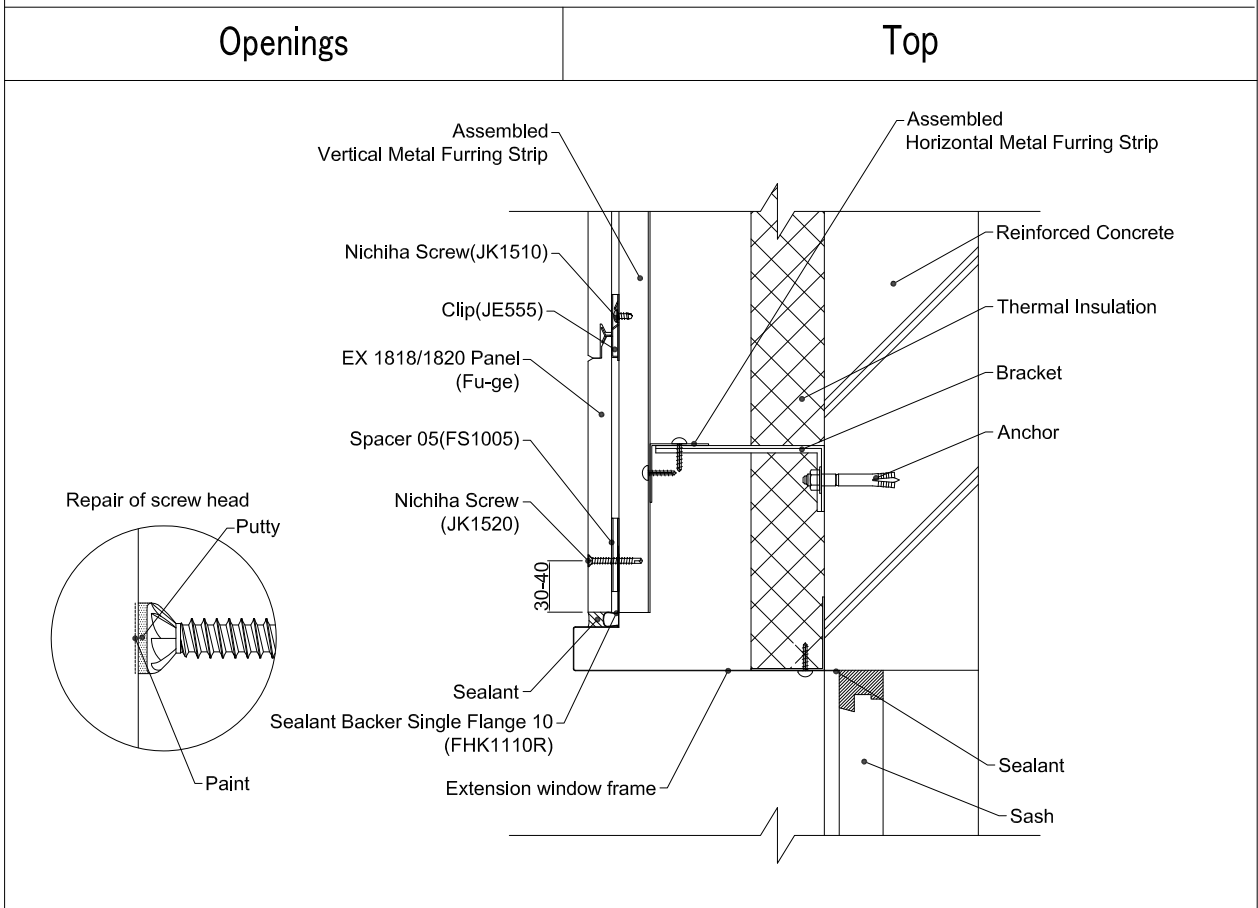
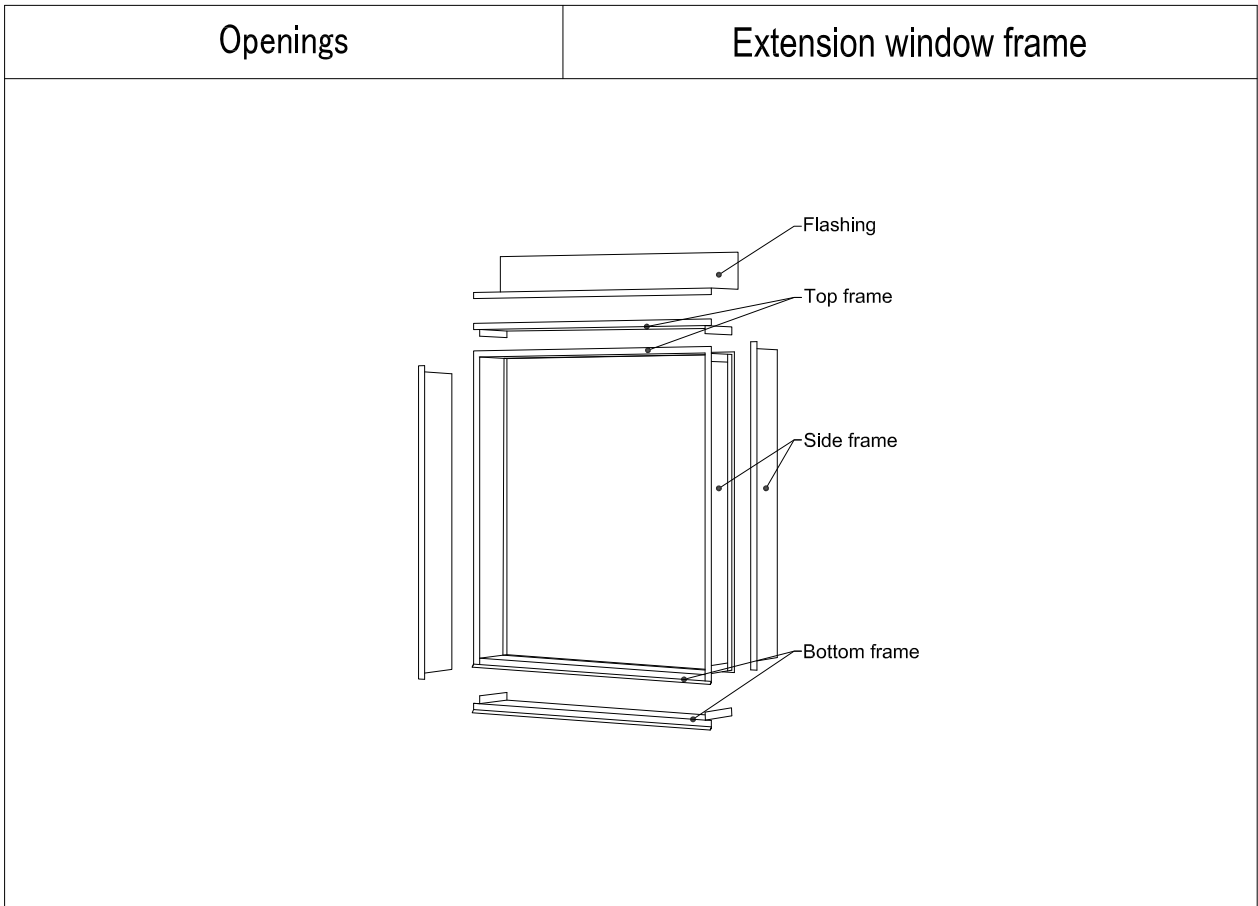
Substrate	Furring Strip	Panel Installation Direction	How to fix
Metal Furring Strip	Vertical	Horizontal	Clip (JE555)



# NICHIHA EX SERIES

(1818/1820 Panel - Fu-ge)

Substrate	Furring Strip	Panel Installation Direction	How to fix
Metal Furring Strip	Vertical	Horizontal	Clip (JE555)



# NICHIHA EX SERIES

(1818/1820 Panel - Fu-ge)

Substrate	Furring Strip	Panel Installation Direction	How to fix
Metal Furring Strip	Vertical	Horizontal	Clip (JE555)

