



ATT INOX DRAIN®  
Stainless Steel Engineering

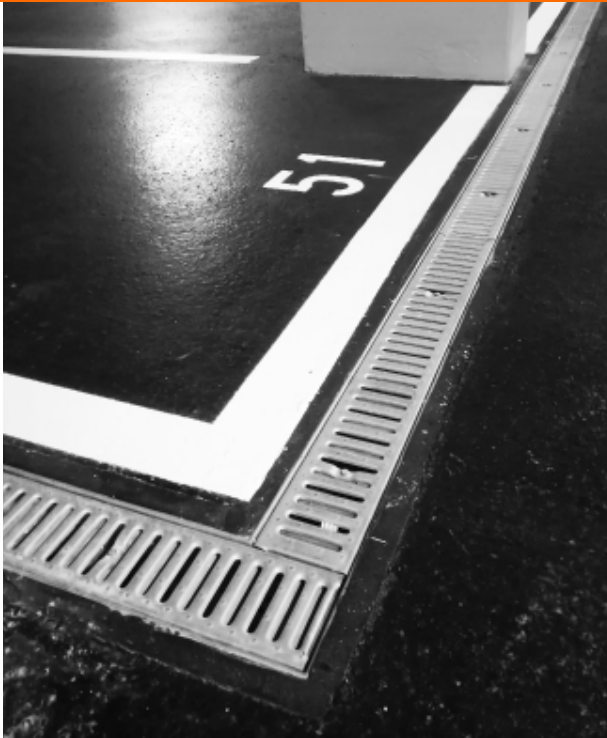
# External Elements



- External drainage:
  - parking and external channels
  - gratings for non-inox channels
  - slot channels and top slot gratings
  - radius channels



# External Drainage



## PARKING AND EXTERNAL CHANNELS

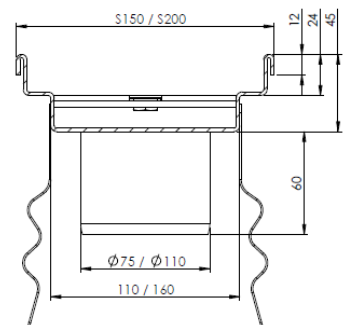
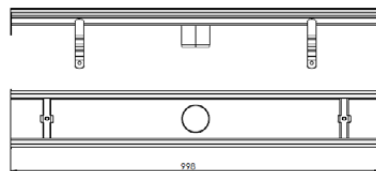
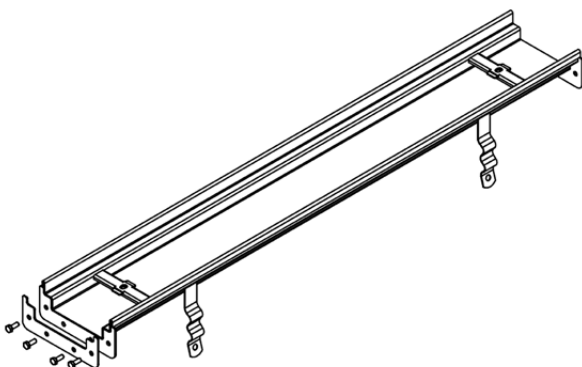
Advantages of ATT stainless steel parking channels:

- functionality that allows to **drain liquids** in most efficient way to reacts against sudden inflow of water,
- raw materials of high chemical resistance,
- high resistance to mechanical damage,
- design that allows to apply high load-class,
- selection of most proper steel processing methods that guarantee durability and safety,
- fast and easy assembly process,
- efficient cleaning design,
- proper location of channels which prevents parking surface from destruction.

Parking channels have a modular design so that these can be easily adapted to project requirements. From A to C250 load class apply.

## GRATINGS FOR NON-INOX CHANNELS

- high resistance to mechanical damage,
- selection of various aesthetic designs,
- gratings adjusted to channels engineering,
- efficient liquid drainage,
- construction suitable for pedestrian, car and light truck load classes.



# External Drainage



## SLOT CHANNELS AND TOP SLOT GRATINGS

ATT external slot channels and top slot gratings for non-inox channels is elegant, discreet and effective drainage solution, recommended for areas, where high corrosion resistance is required.

Depending on flow rate and load class requirements, stainless steel top slot can be used for various types of channels made of polymer, concrete, GRP or plastic. After installation, the system is totally secure and resistant to vandalism, which makes it suitable for applications in public areas. Due to its features, this solution is recommended against building facades and in pedestrian areas.

Product features can be adjusted to meet required loading classes from A15 through B125 up to C250.

## RADIUS CHANNELS

Radius channels are designed and manufactured according to individual projects. It is made of austenitic stainless steel 1.4301 (AISI304) or 1.4404 (AISI 316L). ATT offers various type of gratings installed both inside and outside of buildings. Range of channel dimensions in terms of length, width or channel radius is available.

