

  
**ATT INOX DRAIN**  
Stainless Steel Engineering

[www.attinox.com](http://www.attinox.com)  
[www.bim.att.eu](http://www.bim.att.eu)

*20 years of experience*



# Catalog

ATT Sp. z o. o.  
16C Albatrosów St.,  
30-716 Kraków, Poland  
tel. +48 12 290 29 30  
fax +48 12 290 29 31  
e-mail: att@att.eu  
www.attinox.com  
www.bim.att.eu

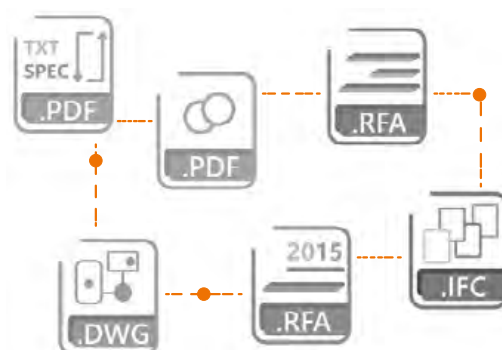


Follow us on LinkedIn. We have always something to say. Beside this, we share with you our projects, realizations, files and events!

**| Mail - [export@att.eu](mailto:export@att.eu)**

**| Catalog - [www.attinox.com](http://www.attinox.com)**

**| BIM library - [www.bim.att.eu](http://www.bim.att.eu)**



# ATT

# Table of Content

[www.attinox.com](http://www.attinox.com)  
[www.bim.att.eu](http://www.bim.att.eu)

ABOUT THE COMPANY	2
HYGIENE SOLUTIONS	5
FLOOR DRAINS	12
LINEAR DRAINAGE	61
BATHROOM SOLUTIONS	75
MANHOLE COVERS	83
PROTECTIVE ELEMENTS	100
PLATFORMS AND STRUCTURES	104
FOOD INDUSTRY FACILITIES EQUIPMENT	112
DISPENSERS	117

ABOUT



## THE COMPANY

ATT is a manufacturing and trading company offering stainless steel elements. We employ highly qualified personnel and operate a technologically advanced machine park. This allows us to comprehensively implement entrusted tasks – from technical consultancy in the design phase and through the production process to assembly.

ATT is a team of engineers with extensive knowledge and passion combined with imagination and long-term experience. This combination of elements is reflected in the projects we develop and implement. Our comprehensive technical know-how corresponding to the realities in the construction industry and industrial facilities, means we can optimally tailor solutions to meet the needs of individual customers.

The commercial division is made up of sales engineers who participate in the entire process.

They are present at each phase of implementation of an order: during preparation of projects, production, assembly and installation works, acting as technical advisers.

The scope of ATT's operations is not limited to Poland or European countries. Our goods and services are used by companies from the United States, the United Arab Emirates, South Korea and Australia, to name a few.

We prepare elements of equipment and installation systems for facilities of the food, gastronomic, chemical and pharmaceutical industries.

The majority of our products can be found on our website at [www.att.eu](http://www.att.eu), available in several language versions.



# CERTIFICATES

**ATT INOX DRAIN®**, a company with Polish capital, was established nearly twenty years ago. Since the beginning of its activity, stainless steel drainage systems have been the key products of the company. In addition to the catalogue products, we also develop individual designs adapted to requirements resulting from the needs of a project. This is achieved thanks to our qualified personnel and technologically advanced machine park. Importantly, ATT drainage systems meet the highest requirements of the European Hygiene Standards PN-EN 1253 (point drainage) and PN-EN 1433 (linear drainage)

However, ATT offers more than just drainage systems. In response to the demands of the market and in order to fully implement its production potential, the company has launched production of equipment elements and stainless steel structures for industries where the highest phytosanitary requirements must be met. The hygienic safety of all products manufactured by ATT is assured by fulfilling the guidelines of the Polish Hygiene Institute (certificate no. HK/B/0266/01/2015). Moreover, to ensure that our products meet the strictest hygiene requirements, in the design phase we follow this guidelines included in the listed standards: PN-EN 1672-2+A1:2009 – hygiene requirements, and PN-EN ISO 14159:2008 – hygiene requirements related to the designing of machines.



ATT is also a member of the European Hygienic Engineering and Design Group, an organisation that constitutes a communication platform for global food corporations, manufacturers of



machines and devices, as well as members of research institutes and public health protection institutions. EHEDG members cooperate in order to promote and improve hygiene in food production plants. As a result, ATT's products are designed and manufactured in accordance with the most recent guidelines on hygiene requirements.



Our products are CE marked.

On 1 July 2014, the transition period for marking in the nationwide system came to an end. After this date, structural elements made of steel or aluminium must be CE marked to be eligible for marketing. This means that ATT meets the requirements of the following standards: PN-EN 1090-1:2012 part 1: Rules of compliance assessment for constructional components; and PN-EN 1090-2:2012 part 2: Technical requirements for steel structures.



Another step enabling monitoring of the production process in ATT is the implementation of standards that guaranteed supervision of the welding process, i.e. standards of PN-EN ISO 3834:2007 series. They include quality requirements related to welding of metal materials.

We have carried out implementation of PN – EN 1090 and PN EN ISO 3834 in cooperation with TÜV Rheinland.



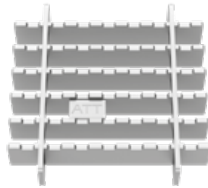
## H. Design

### Ladder grating



Grating without edges for higher hygiene

### Ladder antislip grating



Antislip ladder grating

### Plate grating



Hidden flat bars to prevent from formation of dirt on edges

## Standard Design

### Mesh grating



Deburred edges to minimize accumulation of solid residues that could be a source of bacteria

### Perforated sheet grating



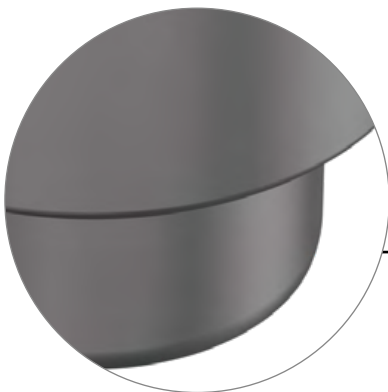
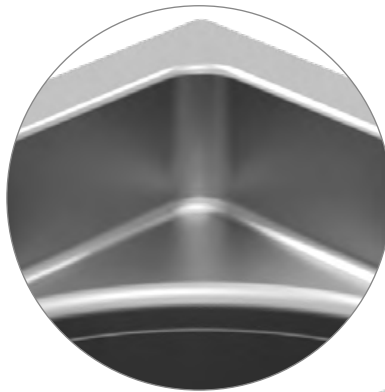
Hidden flat bars to prevent from formation of dirt on edges

### Ladder grating

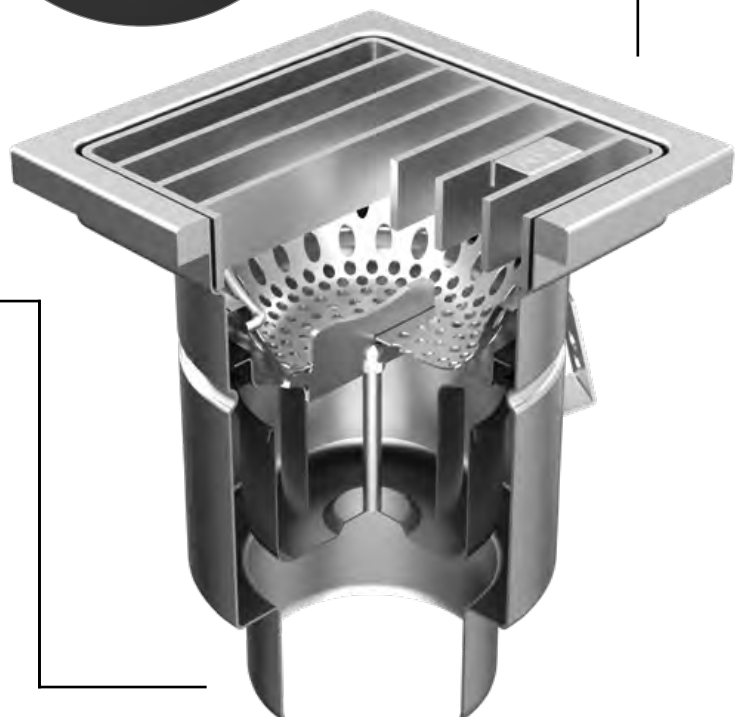


Fully welded flat bars

Pressed upper part with no sharp corners facilitates removal of contamination and prevents growth of bacteria.



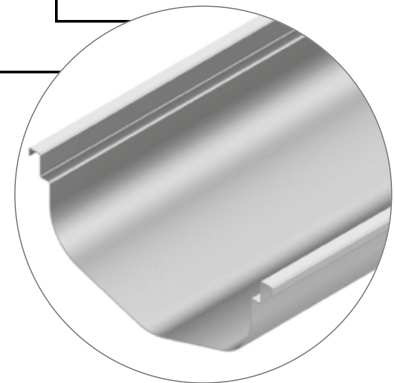
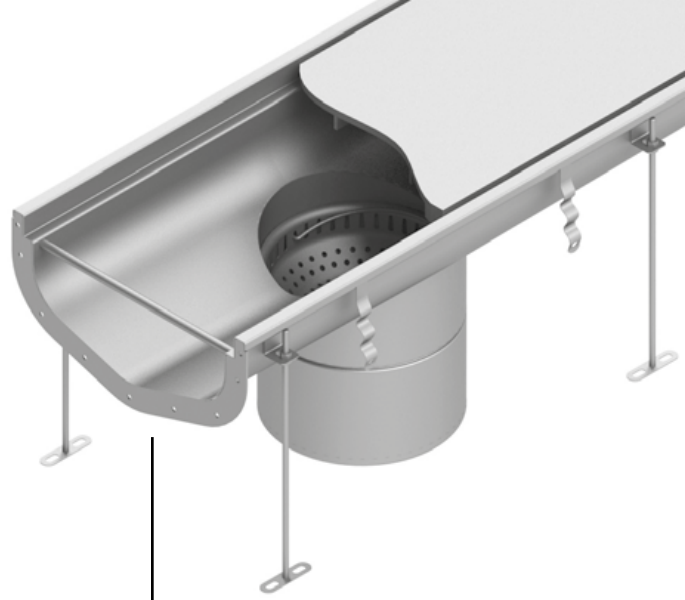
Pressed body, with no sharp edges or welded joints prevents the accumulation of contamination.



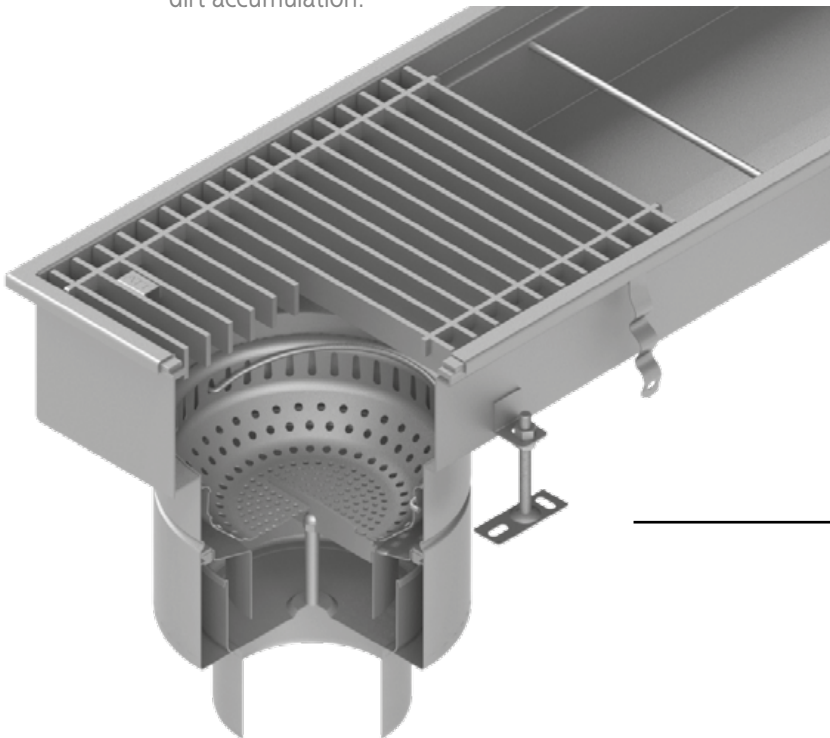
# HYGIENE SOLUTIONS



Continuous welding prevents from dirt accumulation.



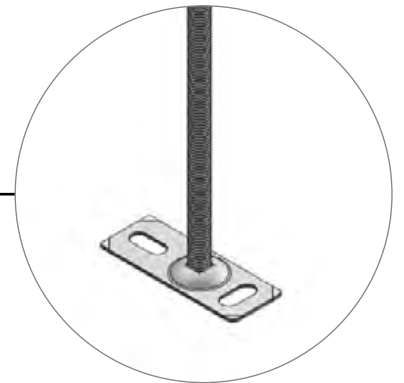
Folded edges rounded bottom.



Waste basket



Deep pressed, without welding, single hygienic element for effective cleaning and removal of solid wastes.



Levelling feet made of stainless steel.

Trap



The inverted trap provides maximum protection against odors and bacteria penetration.

# OFFER



industrial, external drainage systems and drainage systems for buildings



manhole covers, access covers and media boxes



platforms, construction elements and technological installation



equipment for food, pharmaceutical and chemical industries facilities



protective elements (bollards, barriers, kerbs, buffering tiles)



design and installation services



# STAINLESS STEEL





# STAINLESS STEEL



## STEEL PROPERTIES

The term “stainless steel” refers to grades of raw materials with increased resistance to corrosion when compared to normal alloy steels.

Stainless steels are iron alloys that contain a minimum of 11% chrome. They owe their high anti-corrosion properties to the production of a top layer of chromium oxides.

This layer is characterised by high durability. Even in cases mechanical or chemical damage to the steel surface, the anti-corrosive properties of the material are maintained.

## STAINLESS STEEL TYPES

**austenitic** – it features very good anti-corrosion properties and is used in the food, chemical, and pharmaceutical industries – carbon content 0.02%.

**martensitic** – it features the highest mechanical durability among all groups of steel and magnetic properties; it is subject to heat treatment and is characterised by a high carbon content of approximately 0.3%.

**austenitic-ferritic** – melted in a duplex process, it features good anti-corrosion properties and high resistance to cracking. It is a magnetic steel, unsuitable for installation elements.

# STAINLESS STEEL



## PRODUCTION MATERIAL

The following steels are the basic production materials: AISI 304, EN 1.4301 and AISI 316L, EN 1.4404. In case of necessity to produce elements using steels of other grades, the company manufactures these elements upon the Client's request. In case of decorative products (interior design), there is a possibility to order elements made of ground sheets or perform grinding after treatment.



# STAINLESS STEEL

The following information was compiled based on our know-how and long-term experience in stainless steel processing. Resistance of the material to a given factor may only be guaranteed by laboratory tests confirming the chemical resistance to a given medium.

## TABLE OF CHEMICAL RESISTANCE OF MATERIALS

Chemical	Temp. C°	STEEL 1.4301 304	STEEL 1.4404 316L
acetone	20	< 0.1	< 0.1
methyl alcohol	20	< 0.1	< 0.1
alcohol propyl	20	< 0.1	< 0.1
ammonia - gas (dry)	20	< 0.1	< 0.1
ammonia	boiling p.	< 0.1	< 0.1
aniline	20	< 0.1	< 0.1
ammonium nitrate	20	< 0.1	< 0.1
copper nitrate	20	< 0.1	< 0.1
silver nitrate	20	< 0.1	< 0.1
benzene	20	< 0.1	< 0.1
petroleum oils	20	< 0.1	< 0.1
tan liquor	20	< 0.1	< 0.1
butane	20	< 0.1	< 0.1
chlorine (wet)	20	> 1	> 1
chlorine (dry)	100% 70	< 0.1	< 0.1
ammonium chloride	20	0.1 - 1	0.1 - 1
ammonium chloride	20% boiling p.	0.1 - 1 SP	< 0.1 SP
ammonium chloride	43% boiling p.	< 0.1 SP	< 0.1 SP
amyl chloride	20	< 0.1	< 0.1
barium chloride	20	< 0.1	< 0.1
zinc chloride	20	0.1 - 1	0.1 - 1
tin chloride	20	> 1	< 0.1
ethyl chloride (chloroethane)	20	< 0.1	< 0.1
aluminum chloride	20	0.1 - 1	0.1 - 1
magnesium chloride	20	> 1	> 1
methyl chloride	20	< 0.1	< 0.1
cupric chloride	20	> 1	> 1
nickel chloride	20	> 1	> 1
potassium chloride	20	< 0.1	< 0.1
sodium chloride	3% 20-60	0.1 - 1 P	< 0.1 P
calcium chloride	20	> 1	0.1 - 1
calcium chloride	20% 20	< 0.1 P	< 0.1 P
calcium chloride	20% boiling p.	0.1 - 1 SP	< 0.1 P
chlorobenzene	20	< 0.1	< 0.1
chloroform	20	0.1 - 1	0.1 - 1
cupric cyanide	20	< 0.1	< 0.1
potassium cyanide	20	< 0.1	< 0.1
sodium cyanide	20	< 0.1	< 0.1
cyclohexane	20	< 0.1	< 0.1
cyclohexanone	20	< 0.1	< 0.1
carbon tetrachloride	20	< 0.1	< 0.1
diethylamine	20	< 0.1	< 0.1
dimethylaniline	20	< 0.1	< 0.1
bichloride of potassium	20	< 0.1	< 0.1
sodium disulphide	20	< 0.1	< 0.1
carbon disulphide	20	< 0.1	< 0.1
sulfur dioxide (dry)	20	> 1	< 0.1
sulfur dioxide (wet)	20	x	< 0.1
carbon dioxide	20	< 0.1	< 0.1
sodium bicarbonate	20	< 0.1	< 0.1
phenol	5% 20	< 0.1	< 0.1

Chemical	Temp. C°	STEEL 1.4301 304	STEEL 1.4404 316L
formaldehyde	37%	20	< 0.1
ammonium phosphate	20	0.1 - 1	> 1
disodium phosphate	20	x	x
trisodium phosphate	20	< 0.1	< 0.1
freon 12	20	< 0.1	< 0.1
furfural	20	< 0.1	< 0.1
fluorine gas (wet)	20	> 1	> 1
propane gas	20	< 0.1	< 0.1
glycerine	20	< 0.1	< 0.1
ethylene glycol	20	< 0.1	< 0.1
glucose	20	< 0.1	< 0.1
hydroquinone	20	< 0.1	< 0.1
iodine	20	> 1	> 1
methyl ethyl ketone	20	< 0.1	< 0.1
xylene	20	< 0.1	< 0.1
nitric acid	30%	boiling p.	< 0.1
nitric acid	50%	boiling p.	0.1 - 1
nitric acid	65%	80	< 0.1
nitric acid	65%	boiling p.	0.1 - 1
benzoic acid	20	< 0.1	< 0.1
boric acid	20	< 0.1	< 0.1
hydrobromic acid	20%	20	> 1
bromic acid	20	0.1 - 1	0.1 - 1
chloroacetic acid	20	0.1 - 1	0.1 - 1
chromic acid	50%	20	> 1
chromic acid	10%	20	< 0.1
citric acid	25%	boiling p.	> 1
citric acid	50%	20	< 0.1
phosphoric acid	20%	boiling p.	< 0.1
phosphoric acid	40%	boiling p.	< 0.1
phosphoric acid	85%	95	> 1
maleic acid	20	< 0.1	< 0.1
lactic acid	10%	10-100	0.1 - 1
lactic acid	25%	20	< 0.1
lactic acid	50%	20-80	0.1 - 1
lactic acid	50%	boiling p.	> 1
formic acid	5-10%	20	< 0.1
formic acid	10%	80	> 1
formic acid	50%	24-40	0.1 - 1
formic acid	50%	boiling p.	> 1
formic acid	90%	20	> 1
perchloric acid	10%	20	> 1
perchloric acid	70%	20	> 1
acetic acid	1%	boiling p.	< 0.1
acetic acid	10%	boiling p.	0.1 - 1
acetic acid	20%	boiling p.	> 1
acetic acid	20%	20	< 0.1
acetic acid	80%	20	> 1
acetic acid	100%	boiling p.	> 1
oleic acid	20	< 0.1	< 0.1

## TABLE OF CHEMICAL RESISTANCE OF MATERIALS

Chemical	Temp. C°	STEEL 1.4301 304	STEEL 1.4404 316L	Chemical	Temp. C°	STEEL 1.4301 304	STEEL 1.4404 316L
hypochlorous acid (chlorine water)		20	> 1	sodium sulphate	20	< 0.1	< 0.1
palmitic acid	10%	20	< 0.1	silver sulphate	20	< 0.1	< 0.1
picric acid		20	< 0.1	calcium sulphate	20	< 0.1	< 0.1
prussic acid		20	< 0.1	ferrous sulphate	20	< 0.1	< 0.1
sulphurous acid		20	0.1 - 1	ammonium sulphide	20	< 0.1	< 0.1
sulphuric acid	1%	100	> 1	barium sulphide	20	x	x
sulphuric acid	5%	20	0.1 - 1	sodium sulphide	20	0.1 - 1	> 1
sulphuric acid	5%	boiling p.	> 1	sodium sulphite	20	0.1 - 1	< 0.1
sulphuric acid	10%	20	> 1	sulphur	20	0.1 - 1	< 0.1
sulphuric acid	10%	boiling p.	> 1	caustic soda	20%	20	< 0.1
sulphuric acid	50%	20	> 1	caustic soda	50%	20	< 0.1
sulphuric acid	70%	20	> 1	caustic soda	80%	20	> 1
sulphuric acid	20-90%	20-100	> 1	fruit juices and pulp	20	0.1 - 1	< 0.1
sulphuric acid	93%	20	> 1	tannin (tannic acid)	20	< 0.1	< 0.1
hydrochloric acid	0.5%	20	0.1 - 1P	turpentine	20	< 0.1	< 0.1
hydrochloric acid	0.5%	boiling p.	> 1	sodium thiosulfate	20	< 0.1	< 0.1
hydrochloric acid	1%	20	0.1 - 1P	carbon monoxide	20	< 0.1	< 0.1
hydrochloric acid	40%	20	> 1	toluene	20	< 0.1	< 0.1
stearic acid		20	< 0.1	triethylamine	20	< 0.1	< 0.1
oxalic acid		20	< 0.1	phosphorous trichloride	20	< 0.1	< 0.1
carbonic acid		20	< 0.1	trichlorethylene	20	< 0.1	< 0.1
tartaric acid		20	> 1	sugar beet syrup	20	< 0.1	< 0.1
fatty acids		20	< 0.1	sugarcane sap	20	x	x
resol		20	< 0.1	potassium carbonate	20	< 0.1	< 0.1
milk		20	< 0.1	sodium carbonate	20	< 0.1	< 0.1
urine		20	< 0.1	calcium carbonate	20	< 0.1	< 0.1
urea (carbamide)		20	< 0.1	whiskey	20	< 0.1	< 0.1
potassium permanganate		20	< 0.1	wine	20	< 0.1	< 0.1
hydrogen peroxide	90%	20	< 0.1	bromine water	20	> 1	> 1
oil		20	< 0.1	chlorinated water	20	> 1	0.1 - 1P
vinegar		20	< 0.1	chlorinated water	1g/l	20	0.1 - 1P
ethyl acetate		20	< 0.1	chlorinated water	1 mg/l	20	< 0.1
cottonseed oil		20	< 0.1	distilled water		20	< 0.1
linseed oil		20	< 0.1	water ("acid mine")		20	< 0.1
oils and fats		20	< 0.1	sea water (natural)		20	0.1 - 1P
mineral oils		20	x	water (fresh)		20	< 0.1
petroleum oils		20	< 0.1	water (salt)		20	< 0.1
oleum		20	< 0.1	ammonium hydroxide		20	< 0.1
beer		20	< 0.1	barium hydroxide	10%	20	x
sodium hypochlorite		20	0.1 - 1	potassium hydroxide		20	< 0.1
calcium hypochlorite		20	> 1	sodium hydroxide		20	0.1 - 1
caustic potash		20	< 0.1	calcium hydroxide		20	0.1 - 1
photographic solutions		20	> 1	bleach	12,5% Cl	20	x
electroplating solutions		20	< 0.1	sodium base	20%	50	< 0.1
ammonium sulphate		20	0.1 - 1	sodium base	20%	100	< 0.1
barium sulphate		20	< 0.1	sodium base	40%	100	0.1 - 1
zinc sulphate		20	< 0.1	sodium ferrocyanide		20	< 0.1
aluminum sulphate		20	< 0.1				
magnesium sulphate		20	< 0.1				
copper sulphate		20	< 0.1				
nickel sulphate		20	< 0.1				

## TABLE DESIGNATIONS

Corrosion factor  
([mm]/year)

Resistance

Corrosion agent

< 0.1
0.1 - 1
> 1
x

complete

partial

non-resistant

lack of data

S

stress corrosion risk

P

pitting corrosion risk

# FLOOR DRAINS





# FLOOR DRAINS

## GENERAL INFORMATION

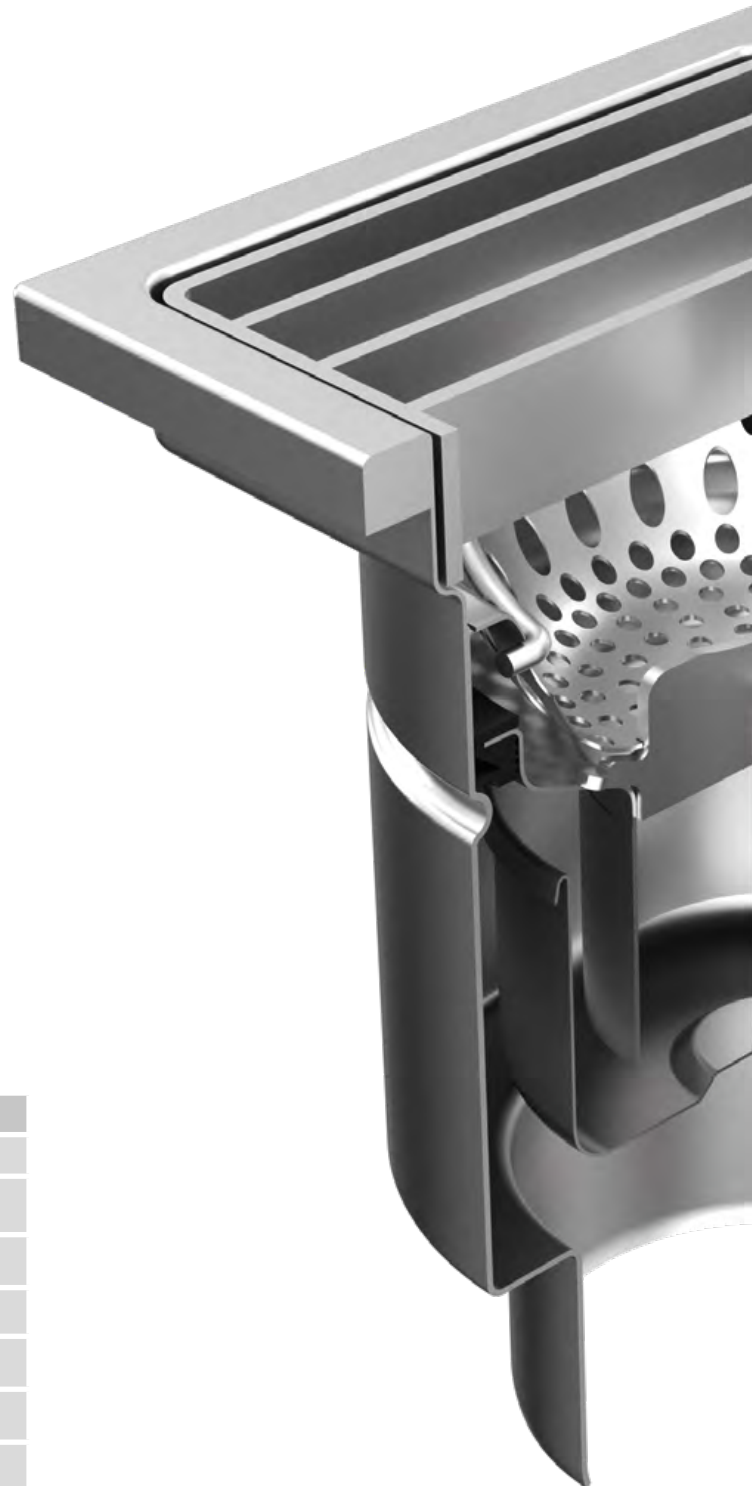
By standard, all floor drains and rodding eyes are made of stainless steel: AISI 304, EN 1.4301 and AISI 316L, EN 1.4404. The type of drain depends on the load class, the amount of drained liquid (medium) and design parameters (e.g. ceiling thickness).

Floor drains are made of sheet metal of thickness adapted to a defined type of drain. All elements are welded using argon shield, and then are pickled, thus ensuring high quality of joints.

## ADVANTAGES OF FLOOR DRAINS

- highest hygienic design and construction standards, following EHEDG guidelines,
- possibility to select a grate depending on application and load class,
- easy installation,
- due to suitable trap design, each gully is also the sewer rodding eye,
- simple design,
- easy and effective cleaning.

Parameter	Technical information
Frame shape	Square / Round
Frame dimensions for square floor drains (mm)	Standard from 100x100 to 400x400 Other sizes on request
Frame diameter for round floor drains (mm)	Standard from 150 to 300 Other sizes on request
Body design	One piece / Two pieces
Type of outlet	Vertical / Horizontal
Size of outlet (external diameter, mm)	From 50 to 200
Capacity (l/s)	From 0.9 to 13.9
Total height (mm)	From 58 to 440
Type of grating	Mesh / Ladder / perf. plate / plate



## HOW TO READ CATALOG DESIGNATIONS

<b>W</b>	<b>Wm</b>	<b>D</b>	<b>Dm</b>	<b>XXX</b>	<b>YYY</b>	<b>V</b>	<b>H</b>	<b>B</b>	<b>D</b>	<b>K</b>	<b>P</b>	<b>S</b>
						1	2					

<b>W</b> heavy duty floor drain with square upper part <b>Wm</b> mini floor drain with square upper part <b>D</b> heavy duty floor drain with round upper part <b>Dm</b> mini floor drain with round upper part	<b>XXX</b> upper part dimension  <b>YYY</b> outlet diameter	<b>H</b> horizontal 1 single part  <b>V</b> vertical  2 two part	<b>B</b> perforated sheet grating <b>D</b> ladder grating <b>K</b> anti-slip grating <b>P</b> plate grating <b>S</b> plate grating with circumference gasket (so-called „tight cover“)
--	---	---	--

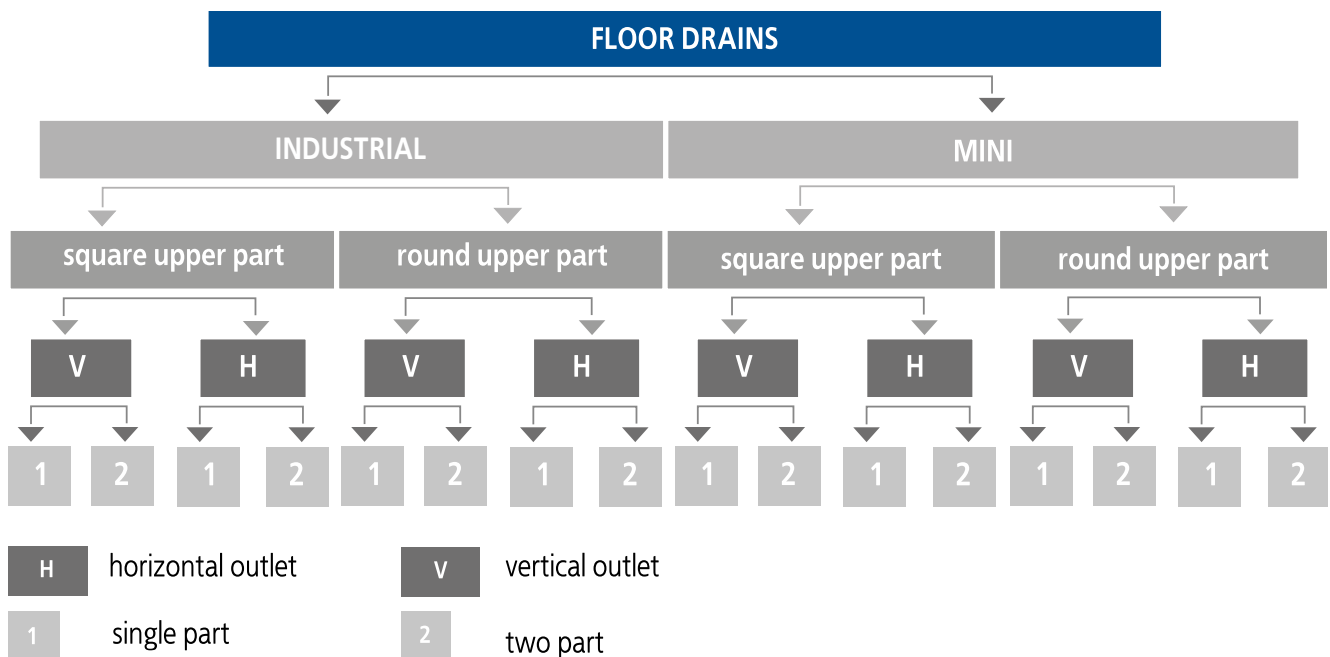
### EXAMPLE 1

**W300/160V2-K** an industrial drain, with a square top 300 [mm], an outlet diameter of 160 [mm], vertical, two-part, with a mesh grating.

### EXAMPLE 2

**D260/110V1-S** an industrial drain, with a round top 260 [mm], an outlet diameter of 110 [mm], vertical, single-part, with a tight plate cover (plate grating with a circumference gasket)

## CHOOSE THE DRAIN YOU NEED



## SELECTION OF FLOOR DRAINS

Appropriate floor drains are selected based on 2 main parameters:

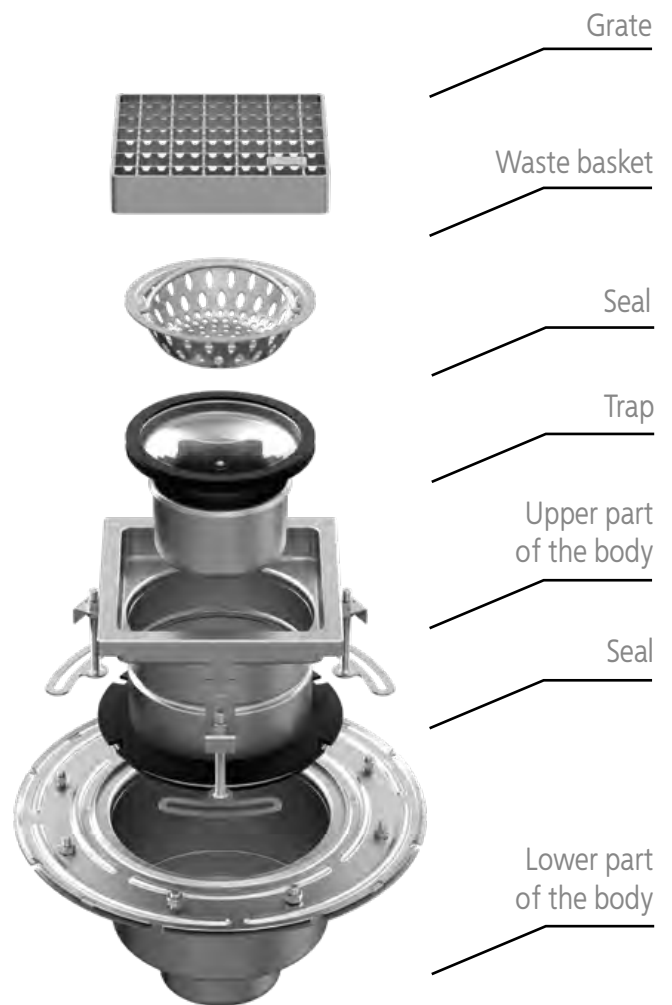
1. Amount of drained wastewater (selection of appropriate diameter of the outlet and the size of the upper part).
2. The load value, type and intensity (the grating is the load-bearing element, which, depending on the type and height, will transfer the applied load).

# FLOOR DRAINS

## EXAMPLE SINGLE PART DRAIN



## EXAMPLE TWO PART DRAIN



### DESCRIPTION OF THE FLOOR DRAINS COMPONENTS

**Bodies** – round shape limits waste accumulation and enables easy waste removal. The welded joints are grinded to remove sharp edges and ensure safe installation or cleaning.

**Gratings** – available in various shapes, dimensions and finishing versions. The gratings are selected according to the loads and location of installation. We offer the following grating types: mesh anti-slip, ladder, plate and perforated sheet.

**Waste baskets** - recommended when the drained wastewater has a high content of solids.

**Strainers** – used when the amount of solids is small.

**Traps** – very functional and easy to maintain. Ensures easy access to the sewer, quick cleaning and offers a possibility of checking for locks.

**Flanges** - used when it's necessary to drain water from horizontal systems installed under the floor.

## AVAILABLE GRATE LOAD CLASSES

### AVAILABLE LOAD CLASSES OF FLOOR DRAINS INSTALLED IN BUILDINGS AS PER PN-EN 1253



#### H1.5 (1.5 kN)

selected for flat roofs (with no other function)



#### K3 (3 kN)

pedestrian zones (e.g. swimming pools, balconies)



#### L15 (15 kN)

commercial premises with low vehicular traffic



#### R50 (50kN)

areas with vehicular traffic (e.g. factories)



#### M125 (125 kN)

areas with intense vehicular traffic takes place (e.g. workshops, industrial halls)



#### N250 (250 kN)

areas with heavy duty vehicular traffic (e.g. workshops, industrial halls)



#### P400 (400kN)

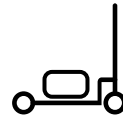
surfaces on which vehicular traffic of very heavy trucks takes place (food or chemical processing industry plants)

The given classes are defined for ideal load conditions (static). In reality, loads of elements (gratings) are more complex (dynamic).

Therefore, it is worth considering several important details when selecting a load class:

1. Will the grating be loaded by a pallet (of a specific weight) or a forklift?
2. If it will be loaded, then what will be the type and size

### AVAILABLE LOAD CLASSES OF GRATINGS OF CHANNELS INSTALLED OUTSIDE AS PER PN-EN 1433



#### A15 (15kN)

surfaces on which pedestrian and bicycle traffic takes place



#### B125 (125 kN)

side drains of car parking lots, drains of pavements



#### C250 (250 kN)

surface on which vehicular traffic of light trucks takes place



#### D400 (400 kN)

road carriageways (including pedestrian walkways), roadsides and parking lots for any type of road vehicles



#### E600 (600 kN)

surfaces for heavy loads, e.g. harbors and docks



#### F900 (900 kN)

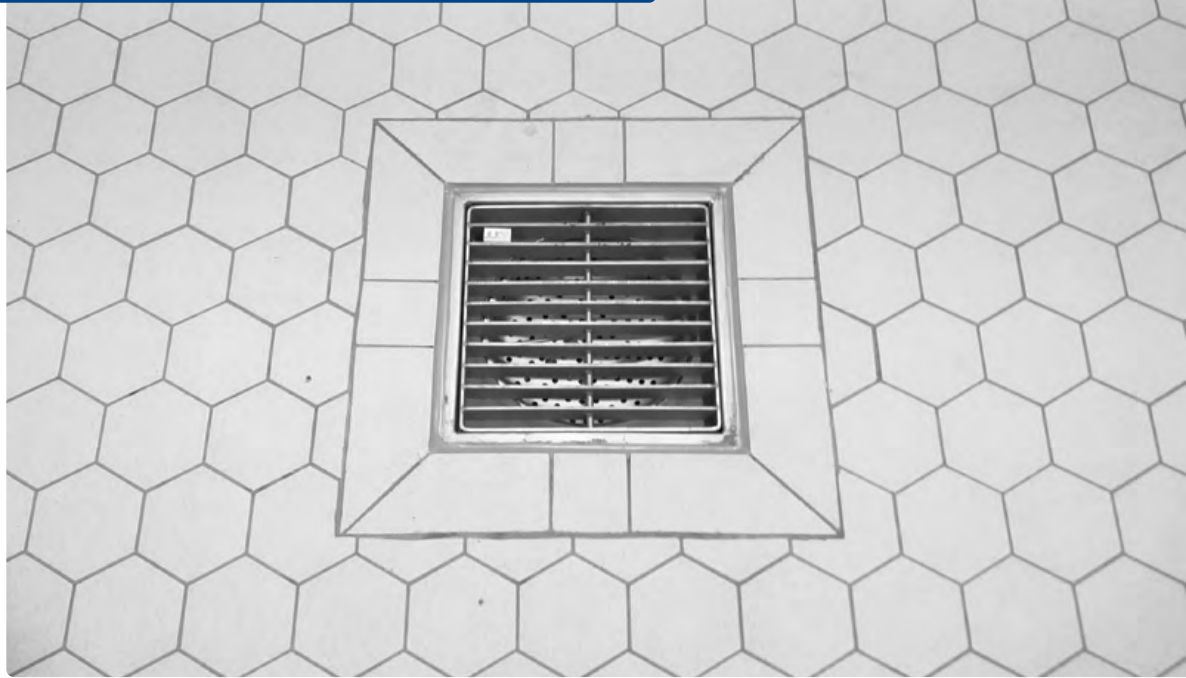
surfaces under extremely heavy loads, e.g. airplanes runways

of wheels of the forklift, and how intense will the traffic be (several, several dozen, several hundred passes a day)?

The above information, along with a summary of the weight of the forklift/pallet, can enable us to select the appropriate load class.

Therefore, it should be kept in mind that at high frequency (repetitions) of loads (even with loads lighter than the nominal load), the higher load class should be selected.

# FLOOR DRAINS



## INSTALLATION OF SINGLE-PART FLOOR DRAINS

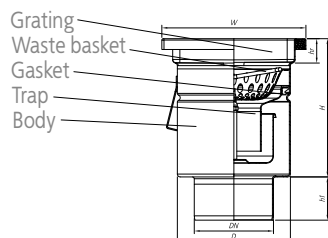
1. A drain pipe must be brought to the proper height
2. Place the drain in the hub of the drain pipe in a way so that the upper part of the drain is located 1-2 [mm] below the upper layer of the flooring.
3. Fill in the space with concrete.
4. When pouring concrete, do not allow obstruction of the opening clearance of the upper part of the drain. Also remember to precisely fill places that are difficult to reach with the concrete mass.

## INSTALLATION OF TWO-PART FLOOR DRAINS

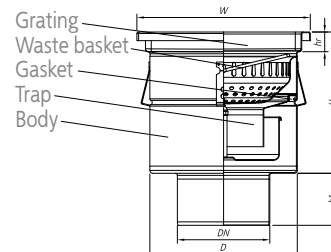
1. Start the installation by settling the lower part of the drain in the structural layers of the ceiling. The lower part should be settled in the cavity 15-20 [mm] in a way to ensure appropriate drainage of condensate from the vertical insulation to the drain.
2. Prepare water-proof insulation for the ceiling and install it using the pressure ring of the lower part.
3. The next step is setting and levelling of the upper part of the drain on the set offset. The edge of the upper part of the drain should be located 1-2 [mm] below the floor can be prepared.
4. After stabilising the upper part, you may prepare the remaining.
5. Fill the space with concrete.
6. When pouring concrete, do not allow obstruction of the opening clearance of the upper part of the drain,. Also remember to precisely fill places that are difficult to reach with the concrete mass.



# Industrial FLOOR DRAINS vertical with square top, single-part



W200/110V1



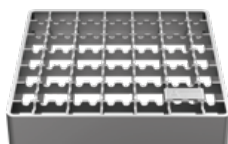
W300/160V1

Drain symbol	W200/75V1	W200/110V1	W300/200/110V1	W300/110V1	W300/160V1
Complete drain catalogue number mat. 304 with anti-slip mesh grating	00.005075.21	00.005110.21	00.082110.21	00.025110.21	00.001160.21
Complete drain catalogue number mat. 304 with ladder grating	00.005075.32	00.005110.32	00.082110.32	00.025110.32	00.001160.32
Complete drain catalogue number mat. 304 with plate grating	00.005075.41	00.005110.41	00.082110.41	00.025110.41	00.001160.41
Complete drain catalogue number mat. 304 with perforated sheet grating	00.005075.13	00.005110.13	00.082110.13	00.025110.13	00.001160.13
Dimensions	DN	75	110	110	160
	H	192	192	195	244
	h1	60	60	60	60
	D	157	157	157	255
	W	200x200	200x200	300x300	300x300
	hr	30	30	30	30
Drain body catalogue number mat. 304	20.005075.07	20.005110.07	20.082110.07	20.025110.07	20.001160.07
Basket catalogue number	02.200110.00	02.200110.00	02.200110.00	08.300160.00	08.300160.00
Sediment basket catalogue number *	03.200110.00	03.200110.00	03.200110.00	09.300160.00	09.300160.00
Trap catalogue number	00.200110.01	00.200110.01	00.200110.01	00.300160.01	00.300160.01
Basket / sediment basket capacity [l]	0.45	0.45	0.45	2.9	2.9
Trap flow rate [l/s]	2.1	2.1	2.1	5.7	5.7
Gratings serial numbers	anti-slip mesh	06.200164.07	06.200164.07	06.300265.07	06.300265.07
	ladder	09.200164.07	09.200164.07	09.300265.07	09.300265.07
	plate	17.200164.07	17.200164.07	17.300265.07	17.300265.07
	perforated sheet	01.200165.07	01.200165.07	01.300265.07	01.300265.07

\* to order a complete drain with a sand sediment basket, change the second digit of the catalogue number to "1", e.g. 01.005075.13

\* to order a complete drain made of 316 material, change the first digit of the catalogue number to "1", e.g. 10.005075.13, with a sand sediment basket, change the second digit to "3", e.g. 13.005075.13..

## GRATING SYMBOLS



anti-slip mesh



ladder



perforated sheet

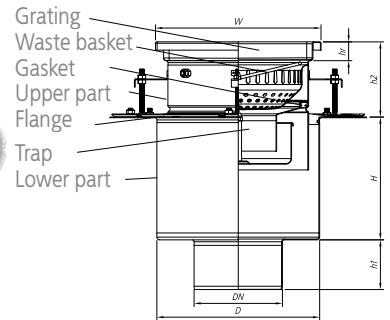
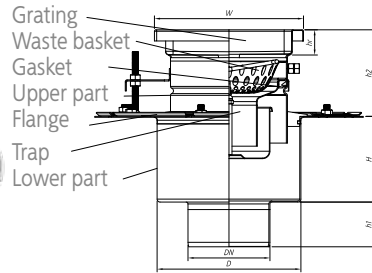


plate



Find accessories on page 22

# Industrial FLOOR DRAINS vertical with square top, two-part



W200/110V2

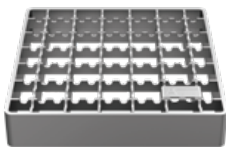
W300/160V2

Drain symbol		W200/75V2	W200/110V2	W300/200/110V2	W300/110V2	W300/160V2
Complete drain catalogue number mat. 304 with anti-slip mesh grating		00.006075.21	00.006110.21	00.083110.21	00.026110.21	00.002160.21
Complete drain catalogue number mat. 304 with ladder grating		00.006075.32	00.006110.32	00.083110.32	00.026110.32	00.002160.32
Complete drain catalogue number mat. 304 with plate grating		00.006075.41	00.006110.41	00.083110.41	00.026110.41	00.002160.41
Complete drain catalogue number mat. 304 with perforated sheet grating		00.006075.13	00.006110.13	00.083110.13	00.026110.13	00.002160.13
Dimensions	H2	80-135	80-135	80-135	80-155	80-155
	DN	75	110	110	110	160
	H	200	200	200	172	172
	h1	60	60	60	60	90
	D	193	193	193	295	295
	W	200x200	200x200	300x300	300x300	300x300
	hr	30	30	30	30	30
Drain body catalogue number mat. 304 upper part		40.006110.07	40.006110.07	40.083110.07	40.026110.07	40.026110.07
Drain body catalogue number mat. 304 lower part		50.006075.00	50.006110.00	50.006110.00	50.026110.00	50.002160.00
Basket catalogue number		02.200110.00	02.200110.00	02.200110.00	08.300160.00	08.300160.00
Sediment basket catalogue number *		03.200110.00	03.200110.00	03.200110.00	09.300160.00	09.300160.00
Trap catalogue number		00.200110.01	00.200110.01	00.200110.01	00.300160.01	00.300160.01
Basket / sediment basket capacity [ l ]		0.45	0.45	0.45	2.9	2.9
Trap flow rate [ l/s ]		2.1	2.1	2.1	5.7	5.7
Gratings serial numbers	anti-slip mesh	06.200164.07	06.200164.07	06.300265.07	06.300265.07	06.300265.07
	ladder	09.200164.07	09.200164.07	09.300265.07	09.300265.07	09.300265.07
	plate	17.200164.07	17.200164.07	17.300265.07	17.300265.07	17.300265.07
	perforated sheet	01.200165.07	01.200165.07	01.300265.07	01.300265.07	01.300265.07

\* to order a complete drain with a sand sediment basket, change the second digit of the catalogue number to "1", e.g. 01.005075.13

\* to order a complete drain made of 316 material, change the first digit of the catalogue number to "1", e.g. 10.005075.13, with a sand sediment basket, change the second digit to "3", e.g. 13.005075.13.

## GRATING SYMBOLS



anti-slip mesh



ladder



perforated sheet



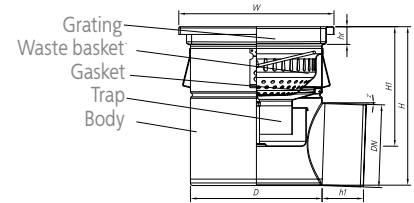
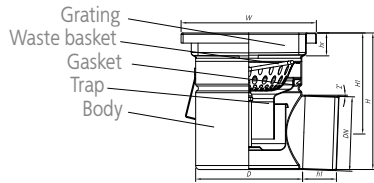
plate



Find accessories on page 22

# Industrial FLOOR DRAINS

## horizontal with square top, single-part



W200/110H1

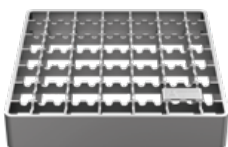
W300/160H1

Drain symbol	W200/75H1	W200/110H1	W300/200/110H1	W300/110H1	W300/160H1	
Complete drain catalogue number mat. 304 with anti-slip mesh grating	00.007075.21	00.007110.21	00.084110.21	00.027110.21	00.003160.21	
Complete drain catalogue number mat. 304 with ladder grating	00.007075.32	00.007110.32	00.084110.32	00.027110.32	00.003160.32	
Complete drain catalogue number mat. 304 with plate grating	00.007075.41	00.007110.41	00.084110.41	00.027110.41	00.003160.41	
Complete drain catalogue number mat. 304 with perforated sheet grating	00.007075.13	00.007110.13	00.084110.13	00.027110.13	00.003160.13	
Dimensions	DN	75	110	110	160	
	H	202	202	227	264	314
	h1	60	60	60	60	90
	D	157	157	157	255	255
	W	200x200	200x200	300x300	300x300	300x300
	hr	30	30	30	30	30
Drain body catalogue number mat. 304	20.007075.07	20.007110.07	20.084110.07	20.027110.07	20.003160.07	
Basket catalogue number	02.200110.00	02.200110.00	02.200110.00	08.300160.00	08.300160.00	
Sediment basket catalogue number *	03.200110.00	03.200110.00	03.200110.00	09.300160.00	09.300160.00	
Trap catalogue number	00.200110.01	00.200110.01	00.200110.01	00.300160.01	00.300160.01	
Basket / sediment basket capacity [l]	0.45	0.45	0.45	2.9	2.9	
Trap flow rate [l/s]	2.1	2.1	2.1	5.7	5.7	
Gratings serial numbers	anti-slip mesh	06.200164.07	06.200164.07	06.300265.07	06.300265.07	06.300265.07
	ladder	09.200164.07	09.200164.07	09.300265.07	09.300265.07	09.300265.07
	plate	17.200164.07	17.200164.07	17.300265.07	17.300265.07	17.300265.07
	perforated sheet	01.200165.07	01.200165.07	01.300265.07	01.300265.07	01.300265.07

\* to order a complete drain with a sand sediment basket, change the second digit of the catalogue number to "1", e.g. 01.005075.13

\* to order a complete drain made of 316 material, change the first digit of the catalogue number to "1", e.g. 10.005075.13, with a sand sediment basket, change the second digit to "3", e.g. 13.005075.13.

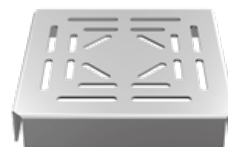
### GRATING SYMBOLS



anti-slip mesh



ladder



perforated sheet



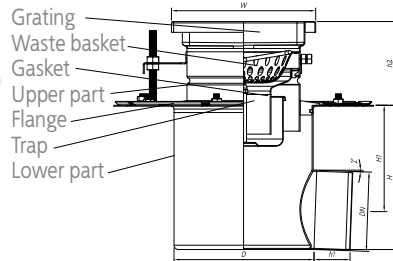
plate



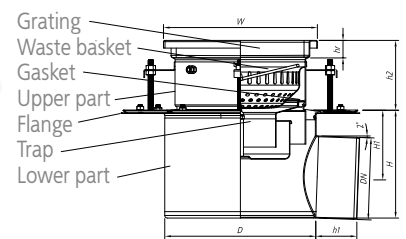
Find accessories on page 22

# Industrial FLOOR DRAINS

## horizontal with square top, two-part



W200/110H2



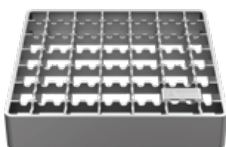
W300/160H2

Drain symbol		W200/75H2	W200/110H2	W300/200/110H2	W300/110H2	W300/160H2
Complete drain catalogue number mat. 304 with anti-slip mesh grating		00.008075.21	00.008110.21	00.085110.21	00.028110.21	00.004160.21
Complete drain catalogue number mat. 304 with ladder grating		00.008075.32	00.008110.32	00.085110.32	00.028110.32	00.004160.32
Complete drain catalogue number mat. 304 with plate grating		00.008075.41	00.008110.41	00.085110.41	00.028110.41	00.004160.41
Complete drain catalogue number mat. 304 with perforated sheet grating		00.008075.13	00.008110.13	00.085110.13	00.028110.13	00.004160.13
Dimensions	H2	80-135	80-135	80-135	80-155	80-155
	DN	75	110	110	110	160
	H	200	200	200	172	222
	h1	60	60	60	60	90
	D	193	193	193	295	295
	W	200x200	200x200	300x300	300x300	300x300
	hr	30	30	30	30	30
Drain body catalogue number mat. 304 upper part		06.200164.07	06.200164.07	06.300265.07	06.300265.07	06.300265.07
Drain body catalogue number mat. 304 lower part		09.200164.07	09.200164.07	09.300265.07	09.300265.07	09.300265.07
Basket catalogue number		17.200164.07	17.200164.07	17.300265.07	17.300265.07	17.300265.07
Sediment basket catalogue number *		01.200165.07	01.200165.07	01.300265.07	01.300265.07	01.300265.07
Trap catalogue number		00.200110.01	00.200110.01	00.200110.01	00.300160.01	00.300160.01
Basket / sediment basket capacity [ l ]		0.45	0.45	0.45	2.9	2.9
Trap flow rate [ l/s ]		2.1	2.1	2.1	5.7	5.7
Gratings serial numbers	anti-slip mesh	06.200164.07	06.200164.07	06.300265.07	06.300265.07	06.300265.07
	ladder	09.200164.07	09.200164.07	09.300265.07	09.300265.07	09.300265.07
	plate	17.200164.07	17.200164.07	17.300265.07	17.300265.07	17.300265.07
	perforated sheet	01.200165.07	01.200165.07	01.300265.07	01.300265.07	01.300265.07

\* to order a complete drain with a sand sediment basket, change the second digit of the catalogue number to "1", e.g. 01.005075.13

\* to order a complete drain made of 316 material, change the first digit of the catalogue number to "1", e.g. 10.005075.13, with a sand sediment basket, change the second digit to "3", e.g. 13.005075.13.

### GRATING SYMBOLS



anti-slip mesh



ladder



perforated sheet



plate



Find accessories on page 22

# ACCESSORIES for industrial vertical and horizontal floor drains, with square top, single- and two-part

W200/75V1, W200/75V2, W200/110V1, W200/110V2, W200/75H1,  
W200/75H2, W200/110H1, W200/110H2

W300/110V1, W300/110V2, W300/160V1, W300/160V2, W300/110H1,  
W300/110H2, W300/160H1, W300/160H2



Filter basket



Sediment basket



Trap



A photograph of a stainless steel industrial facility, likely a brewery or dairy processing plant. The scene is filled with large, cylindrical stainless steel tanks supported by metal legs. A worker wearing a white lab coat, a hairnet, and blue gloves is standing in the aisle between the tanks, looking at a clipboard. The floor is light-colored with a metal grate drainage system. The lighting is bright, coming from overhead fixtures. An orange semi-transparent overlay covers the left side of the image, containing a list of industries.

Breweries

Manufacture of beverages

Dairies

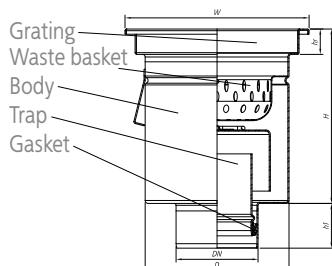
Meat factories

Bakeries

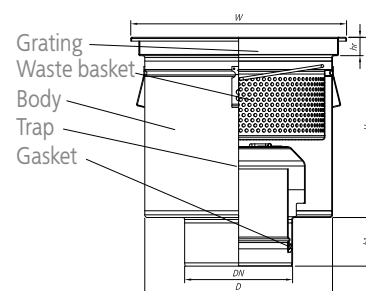
Public Facilities

Pumping stations

# Industrial FLOOR DRAINS vertical with square top, single-part



W250/110V1



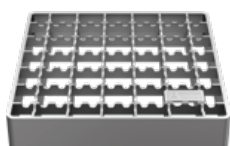
W400/200V1

Drain symbol		W250/110V1	W400/200V1
Complete drain catalogue number mat. 304 with anti-slip mesh grating		00.001110.21	00.001200.21
Complete drain catalogue number mat. 304 with ladder grating		00.001110.32	00.001200.32
Complete drain catalogue number mat. 304 with plate grating		00.001110.41	00.001200.41
Complete drain catalogue number mat. 304 with perforated sheet grating		00.001110.13	00.001200.13
Dimensions	DN	110	200
	H	234	334
	h1	60	90
	D	193	348
	W	250x250	400x400
	hr	30	30
Drain body catalogue number mat. 304		20.001110.07	20.001200.07
Basket catalogue number		04.250110.00	10.400200.00
Sediment basket catalogue number *		05.250110.00	11.400200.00
Trap catalogue number		00.250110.02	00.400200.02
Basket / sediment basket capacity [ l ]		1	8.7
Trap flow rate [ l/s ]		3	13.9
Gratings serial numbers	anti-slip mesh	06.250213.07	06.400365.07
	ladder	09.250213.07	09.400365.07
	plate	17.250213.07	17.400365.07
	perforated sheet	01.250213.07	01.400365.07

\* to order a complete drain with a sand sediment basket, change the second digit of the catalogue number to "1", e.g. 01.005075.13

\* to order a complete drain made of 316 material, change the first digit of the catalogue number to "1", e.g. 10.005075.13, with a sand sediment basket, change the second digit to "3", e.g. 13.005075.13.

## GRATING SYMBOLS



anti-slip mesh



ladder



perforated sheet



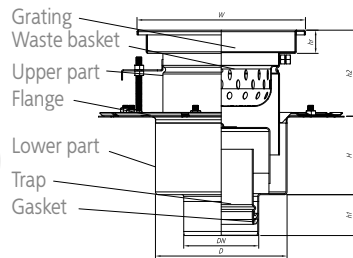
plate



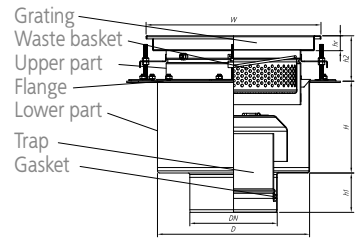
Find accessories on page 28

# Industrial FLOOR DRAINS

## vertical with square top, two-part



W250/110V2



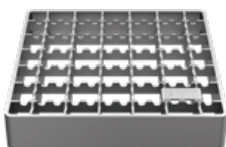
W400/200V2

Drain symbol		W250/110V2	W400/200V2
Complete drain catalogue number mat. 304 with anti-slip mesh grating		00.002110.21	00.002200.21
Complete drain catalogue number mat. 304 with ladder grating		00.002110.32	00.002200.32
Complete drain catalogue number mat. 304 with plate grating		00.002110.41	00.002200.41
Complete drain catalogue number mat. 304 with perforated sheet grating		00.002110.13	00.002200.13
Dimensions	H2	80-155	75-140
	DN	110	200
	H	200	210
	h1	60	90
	D	193	348
	W	250x250	400x400
hr		30	30
Drain body catalogue number mat. 304 upper part		40.002110.07	40.002200.07
Drain body catalogue number mat. 304 lower part		50.006110.00	50.002200.00
Basket catalogue number		06.250110.00	12.400200.00
Sediment basket catalogue number *		07.250110.00	13.400200.00
Trap catalogue number		00.250110.02	00.400200.02
Basket / sediment basket capacity [ l ]		1	5.4
Trap flow rate [ l/s ]		3	13.9
Trap flow rate [ l/s ]	anti-slip mesh	06.250213.07	06.400365.07
	ladder	09.250213.07	09.400365.07
	plate	17.250213.07	17.400365.07
	perforated sheet	01.250213.07	01.400365.07

\* to order a complete drain with a sand sediment basket, change the second digit of the catalogue number to "1", e.g. 01.005075.13

\* to order a complete drain made of 316 material, change the first digit of the catalogue number to "1", e.g. 10.005075.13, with a sand sediment basket, change the second digit to "3", e.g. 13.005075.13.

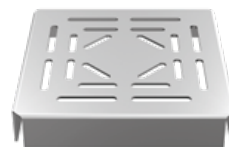
### GRATING SYMBOLS



anti-slip mesh



ladder



perforated sheet



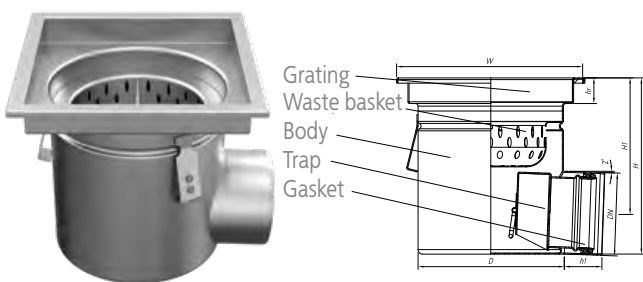
plate



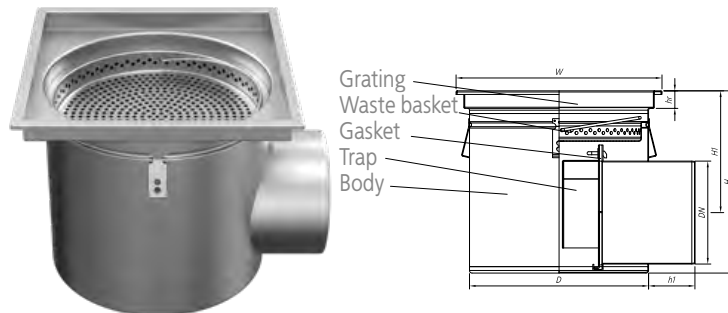
Find accessories on page 28

# Industrial FLOOR DRAINS

## horizontal with square top, single-part



W250/110H1



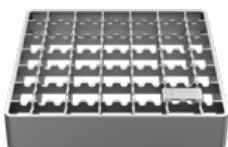
W400/200H1

Drain symbol		W250/110H1	W400/200H1
Complete drain catalogue number mat. 304 with anti-slip mesh grating		00.003110.21	00.003200.21
Complete drain catalogue number mat. 304 with ladder grating		00.003110.32	00.003200.32
Complete drain catalogue number mat. 304 with plate grating		00.003110.41	00.003200.41
Complete drain catalogue number mat. 304 with perforated sheet grating		00.003110.13	00.003200.13
Dimensions	DN	110	200
	H	246	354
	h1	60	90
	D	193	348
	W	250x250	400x400
	hr	30	30
Drain body catalogue number mat. 304		20.003110.07	20.003200.07
Basket catalogue number		04.250110.00	14.400200.00
Sediment basket catalogue number *		05.250110.00	15.400200.00
Trap catalogue number		00.250110.03	00.400200.03
Basket / sediment basket capacity [ l ]		1	2.7
Trap flow rate [ l/s ]		2.1	9.2
Gratings serial numbers	anti-slip mesh	06.250213.07	06.400365.07
	ladder	09.250213.07	09.400365.07
	plate	17.250213.07	17.400365.07
	perforated sheet	01.250213.07	01.400365.07

\* to order a complete drain with a sand sediment basket, change the second digit of the catalogue number to "1", e.g. 01.005075.13

\* to order a complete drain made of 316 material, change the first digit of the catalogue number to "1", e.g. 10.005075.13, with a sand sediment basket, change the second digit to "3", e.g. 13.005075.13.

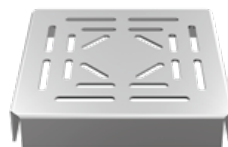
### GRATING SYMBOLS



anti-slip mesh



ladder



perforated sheet



plate

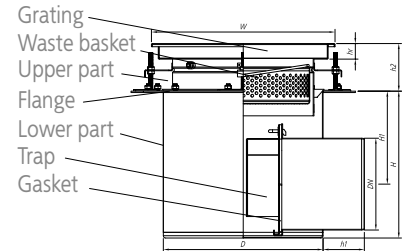
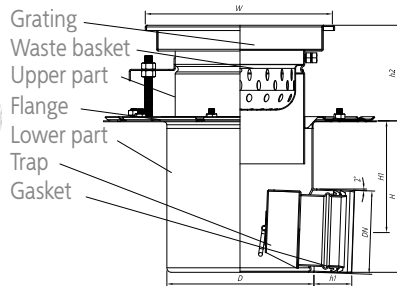


Find accessories on page 28



# Industrial FLOOR DRAINS

## horizontal with square top, two-part



W250/110H2

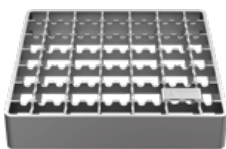
W400/200H2

Drain symbol		W250/110H2	W400/200H2
Complete drain catalogue number mat. 304 with anti-slip mesh grating		00.004110.21	00.004200.21
Complete drain catalogue number mat. 304 with ladder grating		00.004110.32	00.004200.32
Complete drain catalogue number mat. 304 with plate grating		00.004110.41	00.004200.41
Complete drain catalogue number mat. 304 with perforated sheet grating		00.004110.13	00.004200.13
Dimensions	H2	95-155	75-140
	DN	110	200
	H	200	320
	h1	60	90
	D	193	348
	W	250x250	400x400
hr		30	30
Drain body catalogue number mat. 304 upper part		40.002110.07	40.002200.07
Drain body catalogue number mat. 304 lower part		50.008110.00	50.004200.00
Basket catalogue number		06.250110.00	12.400200.00
Sediment basket catalogue number *		07.250110.00	13.400200.00
Trap catalogue number		00.250110.03	00.400200.03
Basket / sediment basket capacity [ l ]		1	5.4
Trap flow rate [ l/s ]		2.1	9.2
Gratings serial numbers	anti-slip mesh	06.250213.07	06.400365.07
	ladder	09.250213.07	09.400365.07
	plate	17.250213.07	17.400365.07
	perforated sheet	01.250213.07	01.400365.07

\* to order a complete drain with a sand sediment basket, change the second digit of the catalogue number to "1", e.g. 01.005075.13

\* to order a complete drain made of 316 material, change the first digit of the catalogue number to "1", e.g. 10.005075.13, with a sand sediment basket, change the second digit to "3", e.g. 13.005075.13.

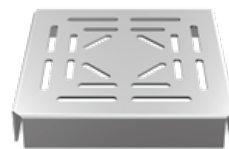
### GRATING SYMBOLS



anti-slip mesh



ladder



perforated sheet



plate



Find accessories on page 28

# ACCESSORIES for industrial vertical and horizontal floor drains, with square top, single- and two-part

W250/110V1, W250/110V2, W250/110H1, W250/110H2

W400/200V1, W400/200V2, W400/200H1, W400/200H2



## BASKET



## SEDIMENT BASKET



V



H



V



H

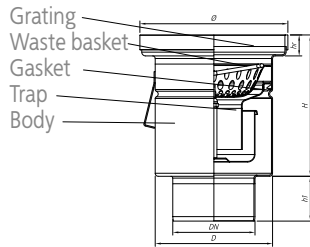
## TRAP



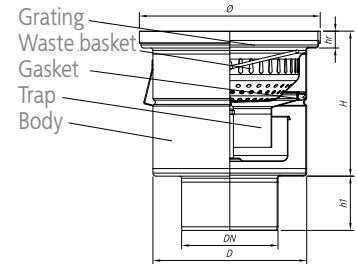
Pharmacy  
Chemical plants  
Treatment plants  
Public space  
Industrial kitchens  
Hospitals  
Hotels  
Warehouses



# Industrial FLOOR DRAINS vertical with round top, single-part



D200/110V1



D300/160V1

Drain symbol		D200/75V1	D200/110V1	D300/200/110V1	D300/110V1	D300/160V1
Complete drain catalogue number mat. 304 with anti-slip mesh grating		00.015075.23	00.015110.23	00.076110.23	00.072110.23	00.072160.23
Complete drain catalogue number mat. 304 with ladder grating		00.015075.34	00.015110.34	00.076110.34	00.072110.34	00.072160.34
Complete drain catalogue number mat. 304 with plate grating		00.015075.43	00.015110.43	00.076110.43	00.072110.43	00.072160.43
Complete drain catalogue number mat. 304 with tight plate		00.015075.50	00.015110.50	00.076110.50	00.072110.50	00.072160.50
Dimensions	DN	75	110	110	110	160
	H	189	189	189	240	240
	h1	60	60	60	60	90
	D	157	157	157	255	255
	Ø	198	198	300	300	300
	hr	25	25	25	25	25
Drain body catalogue number mat. 304		20.015075.06	20.015110.06	20.076110.06	20.072110.06	20.072160.06
Basket catalogue number		02.200110.00	02.200110.00	02.200110.00	08.300160.00	08.300160.00
Sediment basket catalogue number *		03.200110.00	03.200110.00	03.200110.00	09.300160.00	09.300160.00
Trap catalogue number		00.200110.01	00.200110.01	00.200110.01	00.300160.01	00.300160.01
Basket / sediment basket capacity [ l ]		0.45	0.45	0.45	2.9	2.9
Trap flow rate [ l/s ]		2.1	2.1	2.1	5.7	5.7
Gratings serial numbers	anti-slip mesh	06.200188.06	06.200188.06	06.300290.06	06.300290.06	06.300290.06
	ladder	09.200188.06	09.200188.06	09.300290.06	09.300290.06	09.300290.06
	plate	17.200188.06	17.200188.06	17.300290.06	17.300290.06	17.300290.06
	tight plate	16.200188.06	16.200188.06	16.300290.06	16.300290.06	16.300290.06

\* to order a complete drain with a sand sediment basket, change the second digit of the catalogue number to "1", e.g. 01.005075.13

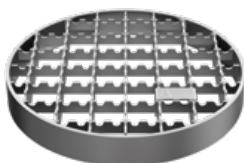
\* to order a complete drain made of 316 material, change the first digit of the catalogue number to "1", e.g. 10.005075.13, with a sand sediment basket, change the second digit to "3", e.g. 13.005075.13.

Drain grating with a tight plate cover is removed using a suction cap. This is an additional element – it is not available in the drain set.



In case of floor drains with a tight plate cover, an 8 [mm] thick grating with a circumference seal is used.

## GRATING SYMBOLS



anti-slip mesh



ladder



plate



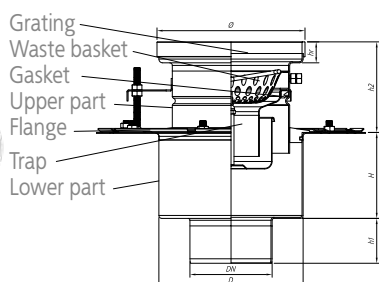
tight plate



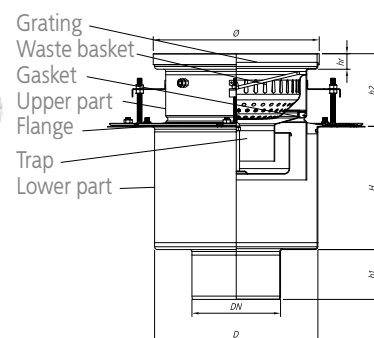
Find accessories on page 38



# Industrial FLOOR DRAINS vertical with round top, two-part



D200/110V2



D300/160V2

Drain symbol	D200/75V2	D200/110V2	D300/200/110V2	D300/110V2	D300/160V2	
Complete drain catalogue number mat. 304 with anti-slip mesh grating	00.016075.23	00.016110.23	00.077110.23	00.073110.23	00.073160.23	
Complete drain catalogue number mat. 304 with ladder grating	00.016075.34	00.016110.34	00.077110.34	00.073110.34	00.073160.34	
Complete drain catalogue number mat. 304 with plate grating	00.016075.43	00.016110.43	00.077110.43	00.073110.43	00.073160.43	
Complete drain catalogue number mat. 304 with tight plate	00.016075.50	00.016110.50	00.077110.50	00.073110.50	00.073160.50	
Dimensions	h2	75-135	75-135	75-130	75-145	
	DN	75	110	110	110	
	H	200	200	200	172	172
	h1	60	60	60	60	90
	D	193	193	193	295	295
	Ø	198	198	300	300	300
	hr	25	25	25	25	25
Drain body catalogue number mat. 304 upper part	40.016110.06	40.016110.06	40.077110.06	40.073110.06	40.073110.06	
Drain body catalogue number mat. 304 lower part	50.006075.00	50.006110.00	50.006110.00	50.026110.00	50.002160.00	
Basket catalogue number	02.200110.00	02.200110.00	02.200110.00	08.300160.00	08.300160.00	
Sediment basket catalogue number *	03.200110.00	03.200110.00	03.200110.00	09.300160.00	09.300160.00	
Trap catalogue number	00.200110.01	00.200110.01	00.200110.01	00.300160.01	00.300160.01	
Basket / sediment basket capacity [l]	0.45	0.45	0.45	2.9	2.9	
Trap flow rate [l/s]	2.1	2.1	2.1	5.7	5.7	
Gratings serial numbers	anti-slip mesh	06.200188.06	06.200188.06	06.300290.06	06.300290.06	
	ladder	09.200188.06	09.200188.06	09.300290.06	09.300290.06	
	plate	17.200188.06	17.200188.06	17.300290.06	17.300290.06	
	tight plate	16.200188.06	16.200188.06	16.300290.06	16.300290.06	

\* to order a complete drain with a sand sediment basket, change the second digit of the catalogue number to "1", e.g. 01.005075.13

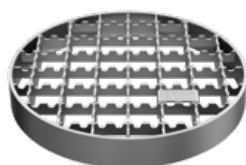
\* to order a complete drain made of 316 material, change the first digit of the catalogue number to "1", e.g. 10.005075.13, with a sand sediment basket, change the second digit to "3", e.g. 13.005075.13.

Drain grating with a tight plate cover is removed using a suction cap. This is an additional element – it is not available in the drain set.



In case of floor drains with a tight plate cover, an 8 [mm] thick grating with a circumference seal is used.

## GRATING SYMBOLS



anti-slip mesh



ladder



plate



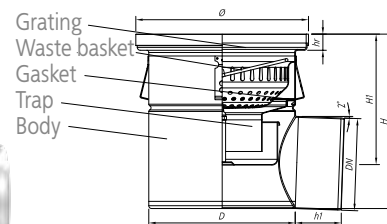
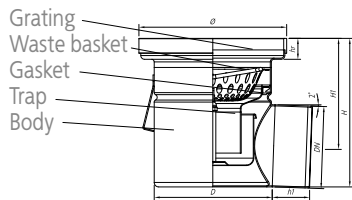
tight plate



Find accessories on page 38

# Industrial FLOOR DRAINS

## horizontal with round top, single-part



### D200/110H1

### D300/160H1

Drain symbol		D200/75H1	D200/110H1	D300/200/110H1	D300/110H1	D300/160H1
Complete drain catalogue number mat. 304 with anti-slip mesh grating		00.017075.23	00.017110.23	00.078110.23	00.074110.23	00.074160.23
Complete drain catalogue number mat. 304 with ladder grating		00.017075.34	00.017110.34	00.078110.34	00.074110.34	00.074160.34
Complete drain catalogue number mat. 304 with plate grating		00.017075.43	00.017110.43	00.078110.43	00.074110.43	00.074160.43
Complete drain catalogue number mat. 304 with tight plate		00.017075.50	00.017110.50	00.078110.50	00.074110.50	00.074160.50
Dimensions	DN	75	110	110	110	160
	H	186	221	221	260	310
	h1	60	60	60	60	90
	D	157	157	157	255	255
	Ø	198	198	300	300	300
	hr	25	25	25	25	25
Drain body catalogue number mat. 304		20.017075.06	20.017110.06	20.078110.06	20.074110.06	20.074160.06
Basket catalogue number		02.200110.00	02.200110.00	02.200110.00	08.300160.00	08.300160.00
Sediment basket catalogue number *		03.200110.00	03.200110.00	03.200110.00	09.300160.00	09.300160.00
Trap catalogue number		00.200110.01	00.200110.01	00.200110.01	00.300160.01	00.300160.01
Basket / sediment basket capacity [ l ]		0.45	0.45	0.45	2.9	2.9
Trap flow rate [ l/s ]		2.1	2.1	2.1	5.7	5.7
Gratings serial numbers	anti-slip mesh	06.200188.06	06.200188.06	06.300290.06	06.300290.06	06.300290.06
	ladder	09.200188.06	09.200188.06	09.300290.06	09.300290.06	09.300290.06
	plate	17.200188.06	17.200188.06	17.300290.06	17.300290.06	17.300290.06
	tight plate	16.200188.06	16.200188.06	16.300290.06	16.300290.06	16.300290.06

\* to order a complete drain with a sand sediment basket, change the second digit of the catalogue number to "1", e.g. 01.005075.13

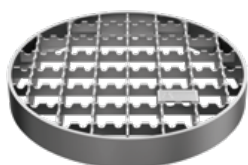
\* to order a complete drain made of 316 material, change the first digit of the catalogue number to "1", e.g. 10.005075.13, with a sand sediment basket, change the second digit to "3", e.g. 13.005075.13.

Drain grating with a tight plate cover is removed using a suction cap. This is an additional element – it is not available in the drain set.



In case of floor drains with a tight plate cover, an 8 [mm] thick grating with a circumference seal is used.

### GRATING SYMBOLS



anti-slip mesh



ladder



plate



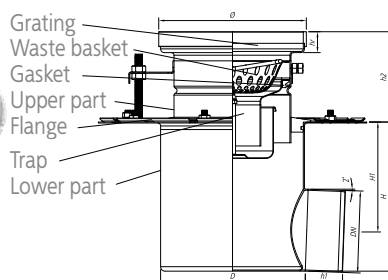
tight plate



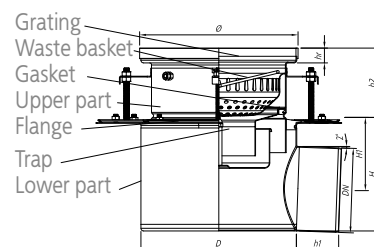
Find accessories on page 38

# Industrial FLOOR DRAINS

## horizontal with round top, two-part



D200/110H2



D300/160H2

Drain symbol		D200/75H2	D200/110H2	D300/200/110H2	D300/110H2	D300/160H2
Complete drain catalogue number mat. 304 with anti-slip mesh grating		00.018075.23	00.018110.23	00.079110.23	00.075110.23	00.075160.23
Complete drain catalogue number mat. 304 with ladder grating		00.018075.34	00.018110.34	00.079110.34	00.075110.34	00.075160.34
Complete drain catalogue number mat. 304 with plate grating		00.018075.43	00.018110.43	00.079110.43	00.075110.43	00.075160.43
Complete drain catalogue number mat. 304 with tight plate		00.018075.50	00.018110.50	00.079110.50	00.075110.50	00.075160.50
Dimensions	h2	75-135	75-135	75-130	75-145	75-145
	DN	75	110	110	110	160
	H	200	200	200	172	222
	h1	60	60	60	60	90
	D	157	157	157	295	295
	Ø	198	198	300	300	300
	hr	25	25	25	25	25
Drain body catalogue number mat. 304 upper part		40.016110.06	40.016110.06	40.077110.06	40.073110.06	40.073110.06
Drain body catalogue number mat. 304 lower part		50.008075.00	50.008110.00	50.008110.00	50.028110.00	50.004160.00
Basket catalogue number		02.200110.00	02.200110.00	02.200110.00	08.300160.00	08.300160.00
Sediment basket catalogue number *		03.200110.00	03.200110.00	03.200110.00	09.300160.00	09.300160.00
Trap catalogue number		00.200110.01	00.200110.01	00.200110.01	00.300160.01	00.300160.01
Basket / sediment basket capacity [l]		0.45	0.45	0.45	2.9	2.9
Trap flow rate [l/s]		2.1	2.1	2.1	5.7	5.7
Gratings serial numbers	anti-slip mesh	06.200188.06	06.200188.06	06.300290.06	06.300290.06	06.300290.06
	ladder	09.200188.06	09.200188.06	09.300290.06	09.300290.06	09.300290.06
	plate	17.200188.06	17.200188.06	17.300290.06	17.300290.06	17.300290.06
	tight plate	16.200188.06	16.200188.06	16.300290.06	16.300290.06	16.300290.06

\* to order a complete drain with a sand sediment basket, change the second digit of the catalogue number to "1", e.g. 01.005075.13

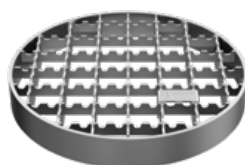
\* to order a complete drain made of 316 material, change the first digit of the catalogue number to "1", e.g. 10.005075.13, with a sand sediment basket, change the second digit to "3", e.g. 13.005075.13.

Drain grating with a tight plate cover is removed using a suction cap. This is an additional element – it is not available in the drain set.



In case of floor drains with a tight plate cover, an 8 [mm] thick grating with a circumference seal is used.

### GRATING SYMBOLS



anti-slip mesh



ladder



plate



tight plate

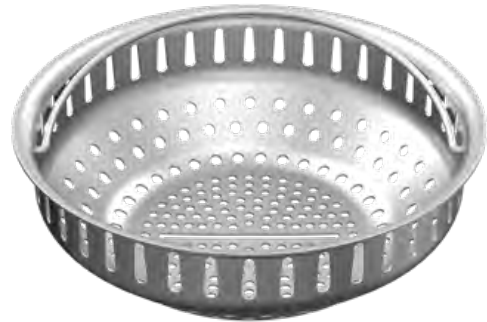


Find accessories on page 38

# ACCESSORIES for industrial vertical and horizontal floor drains, with round top, single- and two-part

D200/75V1, D200/75V2, D200/75H1, D200/75H2, D200/110V1, D200/110V2, D200/110H1, D200/110H2

D300/110V1, D300/110V2, D300/160V1, D300/160V2, D300/110H1, D300/110H2, D300/160H1, D300/160H2



BASKET



SEDIMENT BASKET



TRAP

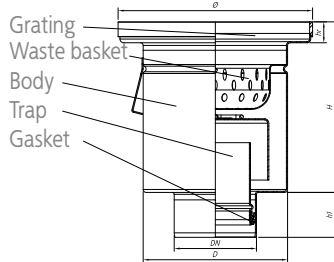


Do you have questions  
about the products  
or services?

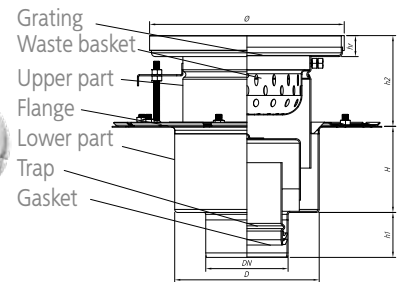
---

Check [www.attinox.com](http://www.attinox.com) and  
contact with us. Our experts  
will help you.

# Industrial FLOOR DRAINS vertical with round top, single- and two-part



D260/110V1



D260/110V2

Drain symbol		D260/110V1	D260/110V2
Complete drain catalogue number mat. 304 with anti-slip mesh grating		00.009110.23	00.010110.23
Complete drain catalogue number mat. 304 with ladder grating		00.009110.34	00.010110.34
Complete drain catalogue number mat. 304 with plate grating		00.009110.43	00.010110.43
Complete drain catalogue number mat. 304 with tight plate		00.009110.50	00.010110.50
Dimensions	h2	–	75-150
	DN	110	110
	H	228	200
	h1	60	60
	D	193	193
	Ø	260	260
hr	25	25	
Drain body catalogue number mat. 304 upper part		20.009110.06	20.010110.06
Drain body catalogue number mat. 304 lower part		–	50.006110.00
Basket catalogue number		04.250110.00	06.250110.00
Sediment basket catalogue number *		05.250110.00	07.250110.00
Trap catalogue number		00.250110.02	00.250110.02
Basket / sediment basket capacity [ l ]		1	1
Trap flow rate [ l/s ]		3	3
Gratings serial numbers	anti-slip mesh	06.250250.06	06.250250.06
	ladder	09.250250.06	09.250250.06
	plate	17.250250.06	17.250250.06
	tight plate	16.250250.06	16.250250.06

\* to order a complete drain with a sand sediment basket, change the second digit of the catalogue number to "1", e.g. 01.005075.13

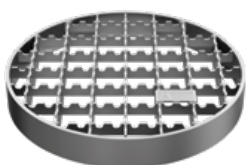
\* to order a complete drain made of 316 material, change the first digit of the catalogue number to "1", e.g. 10.005075.13, with a sand sediment basket, change the second digit to "3", e.g. 13.005075.13.

Drain grating with a tight plate cover is removed using a suction cap. This is an additional element – it is not available in the drain set.



In case of floor drains with a tight plate cover, an 8 [mm] thick plate grating with a circumference seal is used.

## GRATING SYMBOLS



anti-slip mesh



ladder



plate



tight plate

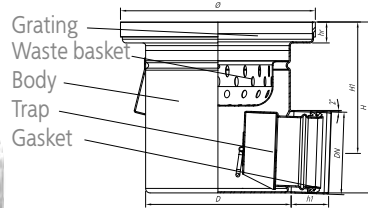


Find accessories on page 38

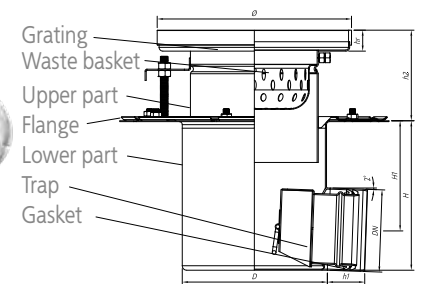
# Industrial FLOOR DRAINS horizontal with round top, single- and two-part



D260/110H1



D260/110H2



Drain symbol		D260/110H1	D260/110H2
Complete drain catalogue number mat. 304 with anti-slip mesh grating		00.011110.23	00.012110.23
Complete drain catalogue number mat. 304 with ladder grating		00.011110.34	00.012110.34
Complete drain catalogue number mat. 304 with plate grating		00.011110.43	00.012110.43
Complete drain catalogue number mat. 304 with tight plate		00.011110.50	00.012110.50
Dimensions	h2	–	100-145
	DN	110	110
	H	223	200
	h1	60	60
	D	193	193
	Ø	260	260
	hr	25	25
Drain body catalogue number mat. 304 upper part		20.011110.06	20.010110.06
Drain body catalogue number mat. 304 lower part		–	50.008110.00
Basket catalogue number		04.250110.00	06.250110.00
Sediment basket catalogue number *		05.250110.00	07.250110.00
Trap catalogue number		00.250110.03	00.250110.03
Basket / sediment basket capacity [ l ]		1	1
Trap flow rate [ l/s ]		2.1	2.1
Gratings serial numbers	anti-slip mesh	06.250250.06	06.250250.06
	ladder	09.250250.06	09.250250.06
	plate	17.250250.06	17.250250.06
	tight plate	16.250250.06	16.250250.06

\* to order a complete drain with a sand sediment basket, change the second digit of the catalogue number to "1", e.g. 01.005075.13

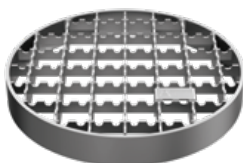
\* to order a complete drain made of 316 material, change the first digit of the catalogue number to "1", e.g. 10.005075.13, with a sand sediment basket, change the second digit to "3", e.g. 13.005075.13.

Drain grating with a tight plate cover is removed using a suction cap. This is an additional element – it is not available in the drain set.



In case of floor drains with a tight plate cover, an 8 [mm] thick plate grating with a circumference seal is used.

## GRATING SYMBOLS



anti-slip mesh



ladder



plate



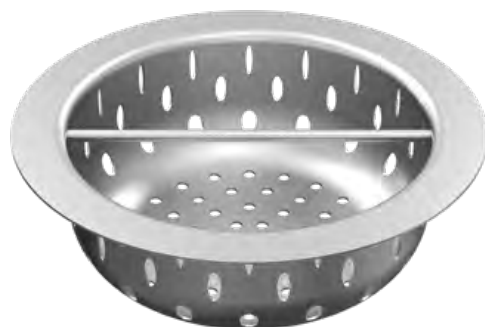
tight plate



Find accessories on page 38

# ACCESSORIES for industrial vertical and horizontal drains, with round top, single-part and two-part

D260/110V1, D260/110V2, D260/110H1, D260/110H2



BASKET



SEDIMENT BASKET



V

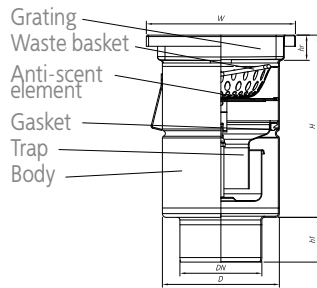


H

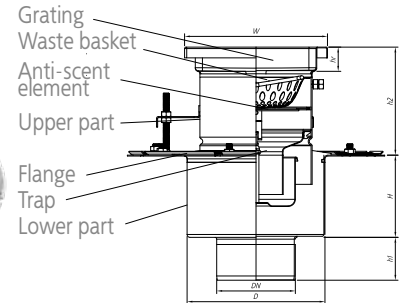
TRAP



# Industrial FLOOR DRAINS anti-odour, vertical with square top, single-part and two-part



WA200/110V1



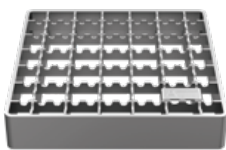
WA200/110V2

Drain symbol	Wa200/110V1	Wa200/110V2	
Complete drain catalogue number mat. 304 with anti-slip mesh grating	00.021110.21	00.022110.21	
Complete drain catalogue number mat. 304 with ladder grating	00.021110.32	00.022110.32	
Complete drain catalogue number mat. 304 with plate grating	00.021110.41	00.022110.41	
Complete drain catalogue number mat. 304 with perforated sheet grating	00.021110.13	00.022110.13	
Dimensions	H2	–	
	DN	110	
	H	245	
	h1	60	
	D	157	
	W	200x200	
hr	25	25	
Drain body catalogue number mat. 304 upper part	20.021110.07	40.022110.07	
Drain body catalogue number mat. 304 lower part	–	50.006110.00	
Anti-odour element	00.200110.08	00.200110.08	
Basket catalogue number	02.200110.00	02.200110.00	
Sediment basket catalogue number *	03.200110.00	03.200110.00	
Trap catalogue number	00.200110.01	00.200110.01	
Basket / sediment basket capacity [l]	0.45	0.45	
Trap flow rate [l/s]	2.1	2.1	
Gratings serial numbers	anti-slip mesh	06.200164.07	06.200164.07
	ladder	09.200164.07	09.200164.07
	plate	17.200164.07	17.200164.07
	perforated sheet	01.200165.07	01.200165.07

\* to order a complete drain with a sand sediment basket, change the second digit of the catalogue number to "1", e.g. 01.005075.13

\* to order a complete drain made of 316 material, change the first digit of the catalogue number to "1", e.g. 10.005075.13, with a sand sediment basket, change the second digit to "3", e.g. 13.005075.13.

## GRATING SYMBOLS



anti-slip mesh



ladder



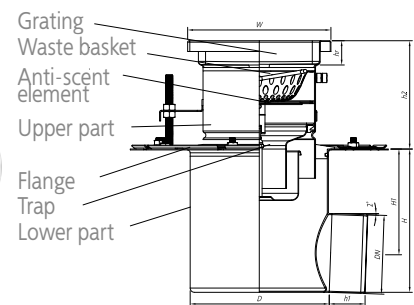
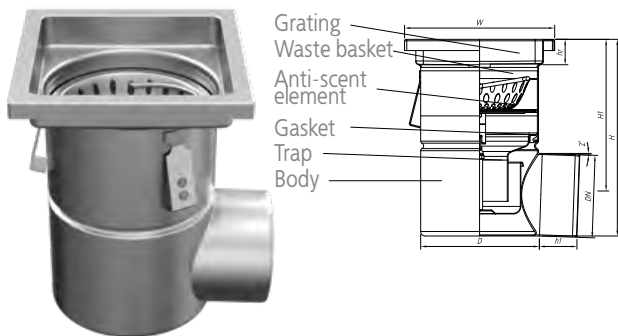
plate



perforated sheet



# Industrial FLOOR DRAINS anti-odour, horizontal with square top, single- part and two-part



## WA200/110H1

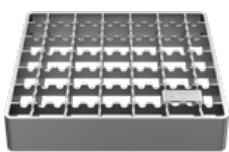
## WA200/110H2

Drain symbol		Wa200/110H1	Wa200/110H2
Complete drain catalogue number mat. 304 with anti-slip mesh grating		00.023110.21	00.024110.21
Complete drain catalogue number mat. 304 with ladder grating		00.023110.32	00.024110.32
Complete drain catalogue number mat. 304 with plate grating		00.023110.41	00.024110.41
Complete drain catalogue number mat. 304 with perforated sheet grating		00.023110.13	00.024110.13
Dimensions	H2	–	120-175
	DN	110	110
	H	274	212
	h1	60	60
	D	157	193
	W	200x200	200x200
	hr	30	30
Drain body catalogue number mat. 304 upper part		20.023110.07	40.024110.07
Drain body catalogue number mat. 304 lower part		–	50.008110.00
Anti-odour element		00.200110.08	00.200110.08
Basket catalogue number		02.200110.00	02.200110.00
Sediment basket catalogue number *		03.200110.00	03.200110.00
Trap catalogue number		00.200110.01	00.200110.01
Basket / sediment basket capacity [l]		0.45	0.45
Trap flow rate [l/s]		2.1	2.1
Gratings serial numbers	anti-slip mesh	06.200164.07	06.200164.07
	ladder	09.200164.07	09.200164.07
	plate	17.200164.07	17.200164.07
	perforated sheet	01.200165.07	01.200165.07

\* to order a complete drain with a sand sediment basket, change the second digit of the catalogue number to "1", e.g. 01.005075.13

\* to order a complete drain made of 316 material, change the first digit of the catalogue number to "1", e.g. 10.005075.13, with a sand sediment basket, change the second digit to "3", e.g. 13.005075.13.

## GRATING SYMBOLS



anti-slip mesh



ladder



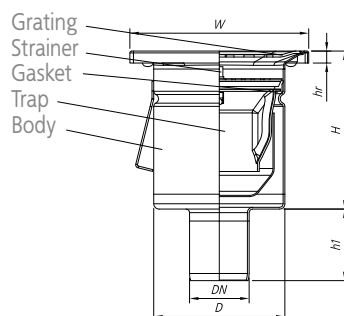
perforated sheet



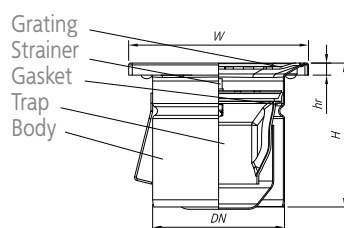
plate



# Mini FLOOR DRAINS vertical with square top, single-part



WITH DN 50 OUTLET



WITH DN 110 OUTLET

Drain symbol		Wmk150/50V1	Wmk150/75V1	Wmk150/110V1
Complete drain catalogue number mat. 304 with perforated sheet grating		08.056050.70	08.056075.70	08.056110.70
Dimensions	DN	50	75	110
	H	132	132	120
	h1	60	60	-
	D	110	110	110
	W	150x150	150x150	150x150
	hr	2	2	2
Drain body catalogue number mat. 304		28.056050.01	28.056075.01	28.056110.01
Trap catalogue number		00.150110.01	00.150110.01	00.150110.01
Strainer catalogue number		01.150110.00	01.150110.00	01.150110.00
Trap flow rate [l/s]		0.9	0.9	0.9
Grating catalogue no.	perforated sheet	01.150135.01	01.150135.01	01.150135.01

\* to order a complete drain made of 316 material, change the first digit of the catalogue number to "1", e.g. 10.056050.70

## PERFORATED SHEET GRATING IS AVAILABLE FOR WMK150 DRAINS



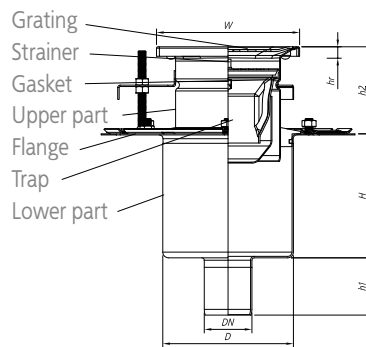
perforated sheet



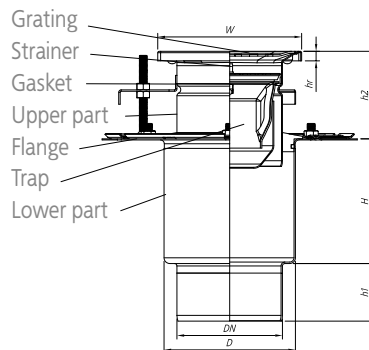
# Mini FLOOR DRAINS vertical with square top, two-part



WITH DN 50 OUTLET



WITH DN 110 OUTLET



Drain symbol		Wmk150/50V2	Wmk150/75V2	Wmk150/110V2
Complete drain catalogue number mat. 304 with perforated sheet grating		08.057050.70	08.057075.70	08.057110.70
Dimensions	H2	50-105	50-105	50-105
	DN	50	75	110
	H	130	130	130
	h1	60	60	60
	D	137	137	137
	W	150x150	150x150	150x150
	hr	2	2	2
Drain body catalogue number mat. 304 upper part		28.056110.01	28.056110.01	28.056110.01
Drain body catalogue number mat. 304 lower part		50.057050.00	50.057075.00	50.057110.00
Trap catalogue number		00.150110.01	00.150110.01	00.150110.01
Strainer catalogue number		01.150110.00	01.150110.00	01.150110.00
Trap flow rate [l/s]		0.9	0.9	0.9
Grating catalogue no.	perforated sheet	01.150135.01	01.150135.01	01.150135.01

\* to order a complete drain made of 316 material, change the first digit of the catalogue number to "1", e.g. 10.056050.70

## PERFORATED SHEET GRATING IS AVAILABLE FOR WMK150 FLOOR DRAINS



perforated sheet

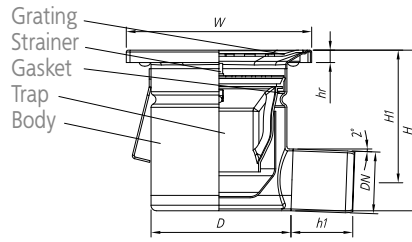




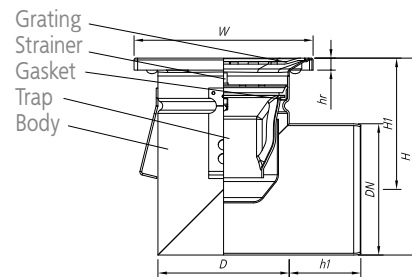
# Mini FLOOR DRAINS horizontal with square top, single-part



WITH DN 50 OUTLET



WITH DN 110 OUTLET



Drain symbol		Wmk150/50H1	Wmk150/75H1	Wmk150/110H1
Complete drain catalogue number mat. 304 with perforated sheet grating		08.058050.70	08.058075.70	08.058110.70
Dimensions	DN	50	75	110
	H	132	132	165
	h1	60	60	60
	D	110	110	110
	W	150x150	150x150	150x150
	hr	2	2	2
Drain body catalogue number mat. 304		28.058050.01	28.058075.01	28.058110.01
Trap catalogue number		00.150110.01	00.150110.01	00.150110.01
Strainer catalogue number		01.150110.00	01.150110.00	01.150110.00
Trap flow rate [l/s]		0.9	0.9	0.9
Grating catalogue no.	perforated sheet	01.150135.01	01.150135.01	01.150135.01

\* to order a complete drain made of 316 material, change the first digit of the catalogue number to "1", e.g. 10.056050.70

## PERFORATED SHEET GRATING IS AVAILABLE FOR WMK150 FLOOR DRAINS



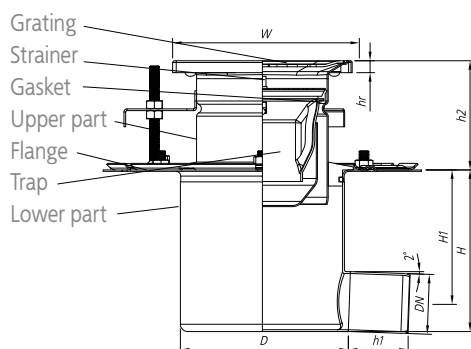
perforated sheet



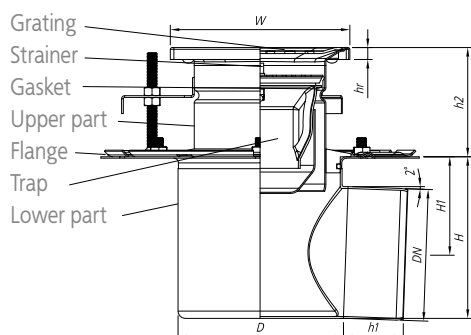
# Mini FLOOR DRAINS horizontal with square top, two-part



WITH DN 50 OUTLET



WITH DN 110 OUTLET



Drain symbol	Wmk150/50H2	Wmk150/75H2	Wmk150/110H2
Complete drain catalogue number mat. 304 with perforated sheet grating	08.059050.70	08.059050.70	08.059050.70
Dimensions	H2	50-105	50-105
	DN	50	75
	H	135	135
	h1	60	60
	D	137	137
	W	150x150	150x150
	hr	2	2
Drain body catalogue number mat. 304 upper part	28.056110.01	28.056110.01	28.056110.01
Drain body catalogue number mat. 304 lower part	50.059050.00	50.059075.00	50.059110.00
Trap catalogue number	00.150110.01	00.150110.01	00.150110.01
Strainer catalogue number	01.150110.00	01.150110.00	01.150110.00
Trap flow rate [ l/s ]	0.9	0.9	0.9
Grating catalogue no.	perforated sheet	01.150135.01	01.150135.01

\* to order a complete drain made of 316 material, change the first digit of the catalogue number to "1", e.g. 10.056050.70

## PERFORATED SHEET GRATING IS AVAILABLE FOR WMK150 FLOOR DRAINS



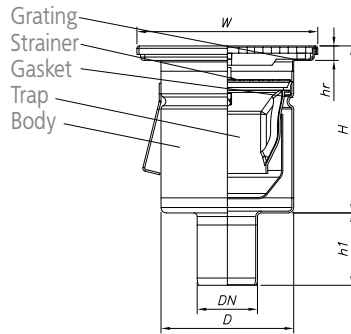
perforated sheet



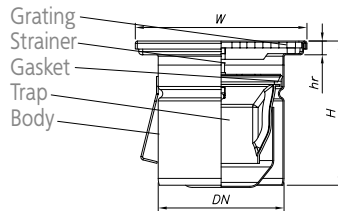
# Mini FLOOR DRAINS vertical with square top, single-part



WITH DN 50 OUTLET



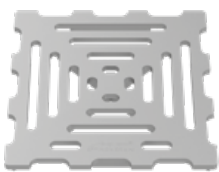
WITH DN 110 OUTLET



Drain symbol		Wm150/50V1	Wm150/75V1	Wm150/110V1
Complete drain catalogue number mat. 304 with perforated plate grating		08.032050.60	08.032075.60	08.032110.60
Dimensions	DN	50	75	110
	H	137	137	125
	h1	60	60	–
	D	110	110	110
	W	150x150	150x150	150x150
	hr	10	10	10
Drain body catalogue number mat. 304		28.032050.04	28.032075.04	28.032110.04
Trap catalogue number		00.150110.01	00.150110.01	00.150110.01
Strainer catalogue number		01.150110.00	01.150110.00	01.150110.00
Trap flow rate [l/s]		0.9	0.9	0.9
Grating catalogue no.	perforated plate	20.150141.04	20.150141.04	20.150141.04

\* to order a complete drain made of 316 material, change the first digit of the catalogue number to "1", e.g. 10.056050.70

## PERFORATED PLATE GRATING IS AVAILABLE FOR WM150 FLOOR DRAINS



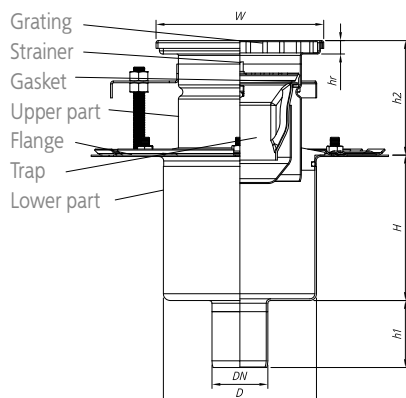
perforated plate



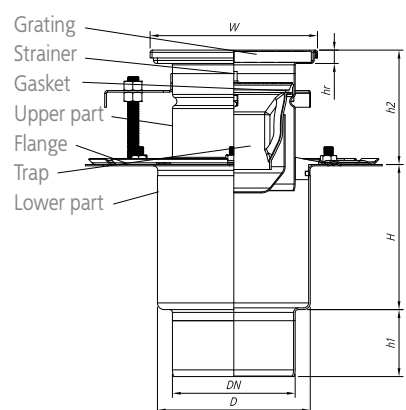
# Mini FLOOR DRAINS vertical with square top, two-part



WITH DN 50 OUTLET



WITH DN 110 OUTLET



Drain symbol		Wm150/50V2	Wm150/75V2	Wm150/110V2
Complete drain catalogue number mat. 304 with perforated plate grating		08.033050.60	08.033075.60	08.033110.60
Dimensions	H2	60-110	60-110	60-110
	DN	50	75	110
	H	130	130	130
	h1	60	60	60
	D	137	137	137
	W	150x150	150x150	150x150
	hr	10	10	10
Drain body catalogue number mat. 304 upper part		28.032110.04	28.032110.04	28.032110.04
Drain body catalogue number mat. 304 lower part		50.057050.00	50.057075.00	50.057110.00
Trap catalogue number		00.150110.01	00.150110.01	00.150110.01
Strainer catalogue number		01.150110.00	01.150110.00	01.150110.00
Trap flow rate [ l/s ]		0.9	0.9	0.9
Grating catalogue no.	perforated plate	20.150141.04	20.150141.04	20.150141.04

\* to order a complete drain with a sand sediment basket, change the first digit of the catalogue number to "1", e.g. 10.005075.13

## PERFORATED PLATE GRATING IS AVAILABLE FOR WM150 FLOOR DRAINS



perforated plate

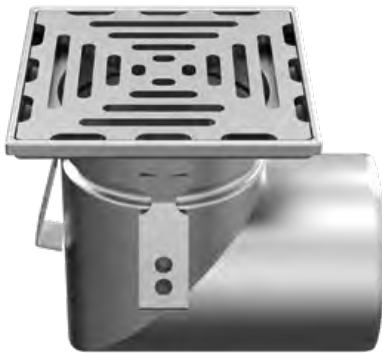
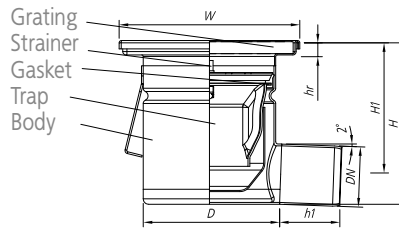




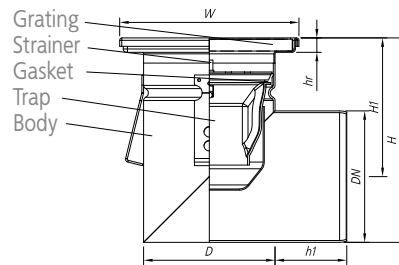
# Mini FLOOR DRAINS horizontal with square top, single-part



WITH DN 50 OUTLET



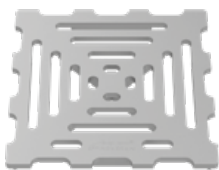
WITH DN 110 OUTLET



Drain symbol		Wm150/50H1	Wm150/75H1	Wm150/110H1
Complete drain catalogue number mat. 304 with perforated plate grating		08.042050.60	08.042075.60	08.042110.60
Dimensions	DN	50	75	110
	H	137	137	170
	h1	60	60	60
	D	110	110	110
	W	150x150	150x150	150x150
	hr	10	10	10
Drain body catalogue number mat. 304		28.042050.01	28.042075.01	28.042110.01
Trap catalogue number		00.150110.01	00.150110.01	00.150110.01
Strainer catalogue number		01.150110.00	01.150110.00	01.150110.00
Trap flow rate [l/s]		0.9	0.9	0.9
Grating catalogue no.	perforated plate	20.150141.04	20.150141.04	20.150141.04

\* to order a complete drain made of 316 material, change the first digit of the catalogue number to "1", e.g. 10.056050.70

## PERFORATED PLATE GRATING IS AVAILABLE FOR WM150 FLOOR DRAINS



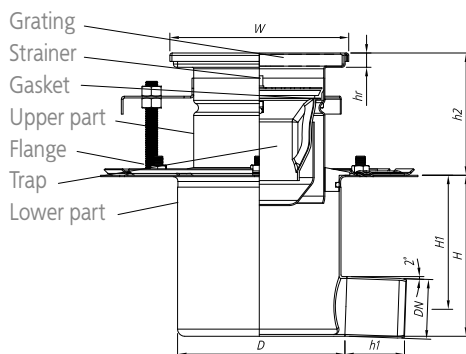
perforated plate



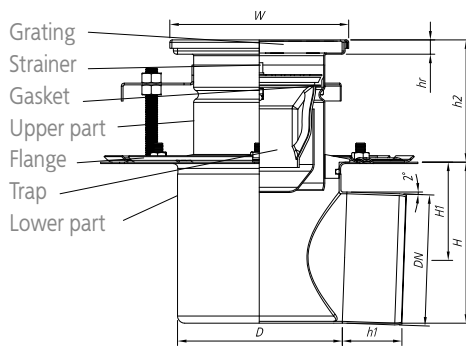
# Mini FLOOR DRAINS horizontal with square top, two-part



WITH DN 50 OUTLET



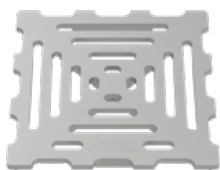
WITH DN 110 OUTLET



Drain symbol		Wm150/50H2	Wm150/75H2	Wm150/110H2
Complete drain catalogue number mat. 304 with perforated plate grating		08.043050.60	08.043075.60	08.043110.60
Dimensions	H2	60-110	60-110	60-110
	DN	50	75	110
	H	135	135	135
	h1	60	60	60
	D	137	137	137
	W	150x150	150x150	150x150
	hr	10	10	10
Drain body catalogue number mat. 304 upper part		28.032110.04	28.032110.04	28.032110.04
Drain body catalogue number mat. 304 lower part		50.059050.00	50.059075.00	50.059110.00
Trap catalogue number		00.150110.01	00.150110.01	00.150110.01
Strainer catalogue number		01.150110.00	01.150110.00	01.150110.00
Trap flow rate [l/s]		0.9	0.9	0.9
Grating catalogue no.	perforated plate	20.150141.04	20.150141.04	20.150141.04

\* to order a complete drain made of 316 material, change the first digit of the catalogue number to "1", e.g. 10.056050.70

## PERFORATED PLATE GRATING IS AVAILABLE FOR WM150 FLOOR DRAINS



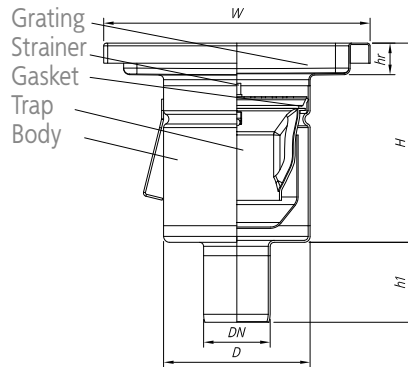
perforated plate



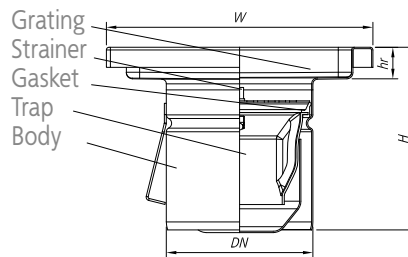
# Mini FLOOR DRAINS vertical with square top, single-part



WITH DN 50 OUTLET



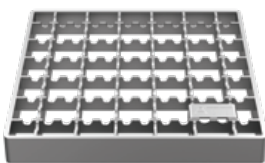
WITH DN 110 OUTLET



Drain symbol	Wm200/50V1	Wm200/75V1	Wm200/110V1
Complete drain catalogue number mat. 304 with anti-slip mesh grating	00.030050.20	00.030075.20	00.030110.20
Complete drain catalogue number mat. 304 with ladder grating	00.030050.31	00.030075.31	00.030110.31
Complete drain catalogue number mat. 304 with plate grating	00.030050.40	00.030075.40	00.030110.40
Complete drain catalogue number mat. 304 with perforated sheet grating	00.030050.12	00.030075.12	00.030110.12
Dimensions	DN	50	75
	H	149	149
	h1	60	60
	D	110	110
	W	200x200	200x200
	hr	20	20
Drain body catalogue number mat. 304	20.030050.05	20.030075.05	20.030110.05
Trap catalogue number	00.150110.01	00.150110.01	00.150110.01
Strainer catalogue number	01.150110.00	01.150110.00	01.150110.00
Trap flow rate [l/s]	0.9	0.9	0.9
Grating catalogue no.	mesh	06.200164.05	06.200164.05
	ladder	09.200164.05	09.200164.05
	plate	10.200164.05	10.200164.05
	perforated sheet	01.200165.05	01.200165.05

\* to order a complete drain made of 316 material, change the first digit of the catalogue number to "1", e.g. 10.056050.70

## GRATING SYMBOLS



anti-slip mesh



ladder



plate



perforated sheet



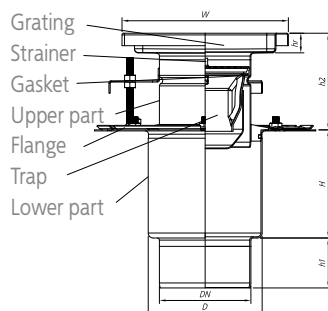
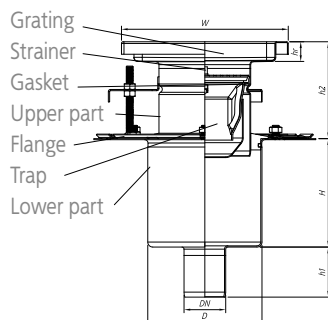
# Mini FLOOR DRAINS vertical with square top, two-part



WITH DN 50 OUTLET



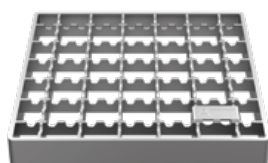
WITH DN 110 OUTLET



Drain symbol		Wm200/50V2	Wm200/75V2	Wm200/110V2
Complete drain catalogue number mat. 304 with anti-slip mesh grating		00.031050.20	00.031075.20	00.031110.20
Complete drain catalogue number mat. 304 with ladder grating		00.031050.31	00.031075.31	00.031110.31
Complete drain catalogue number mat. 304 with plate grating		00.031050.40	00.031075.40	00.031110.40
Complete drain catalogue number mat. 304 with perforated sheet grating		00.031050.12	00.031075.12	00.031110.12
Dimensions	H2	70-120	70-120	70-120
	DN	50	75	110
	H	130	130	130
	h1	60	60	60
	D	137	137	137
	W	200x200	200x200	200x200
	hr	20	20	20
Drain body catalogue number mat. 304 upper part		20.030110.05	20.030110.05	20.030110.05
Drain body catalogue number mat. 304 lower part		50.057050.00	50.057075.00	50.057110.00
Trap catalogue number		00.150110.01	00.150110.01	00.150110.01
Strainer catalogue number		01.150110.00	01.150110.00	01.150110.00
Trap flow rate [ l/s ]		0.9	0.9	0.9
Grating catalogue no.	anti-slip mesh	06.200164.05	06.200164.05	06.200164.05
	ladder	09.200164.05	09.200164.05	09.200164.05
	plate	10.200164.05	10.200164.05	10.200164.05
	perforated sheet	01.200165.05	01.200165.05	01.200165.05

\* to order a complete drain made of 316 material, change the first digit of the catalogue number to "1", e.g. 10.056050.70

## GRATING SYMBOLS



anti-slip mesh



ladder



plate



perforated sheet





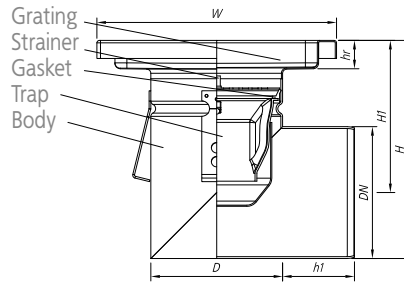
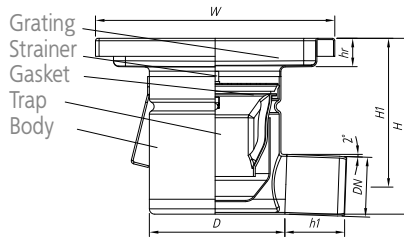
# Mini FLOOR DRAINS horizontal with square top, single-part



WITH DN 50 OUTLET



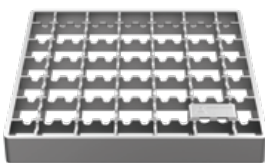
WITH DN 110 OUTLET



Drain symbol		Wm200/50H1	Wm200/75H1	Wm200/110H1
Complete drain catalogue number mat. 304 with anti-slip mesh grating		00.040050.20	00.040075.20	00.040110.20
Complete drain catalogue number mat. 304 with ladder grating		00.040050.31	00.040075.31	00.040110.31
Complete drain catalogue number mat. 304 with plate grating		00.040050.40	00.040075.40	00.040110.40
Complete drain catalogue number mat. 304 perforated sheet grating		00.040050.12	00.040075.12	00.040110.12
Dimensions	DN	50	75	110
	H	149	149	182
	h1	60	60	60
	D	110	110	110
	W	200x200	200x200	200x200
	hr	20	20	20
Drain body catalogue number mat. 304		20.040050.05	20.040075.05	20.040110.05
Trap catalogue number		00.150110.01	00.150110.01	00.150110.01
Strainer catalogue number		01.150110.00	01.150110.00	01.150110.00
Trap flow rate [l/s]		0.9	0.9	0.9
Grating catalogue no.	anti-slip mesh	06.200164.05	06.200164.05	06.200164.05
	ladder	09.200164.05	09.200164.05	09.200164.05
	plate	10.200164.05	10.200164.05	10.200164.05
	perforated sheet	01.200165.05	01.200165.05	01.200165.05

\* to order a complete drain made of 316 material, change the first digit of the catalogue number to "1", e.g. 10.056050.70

## GRATING SYMBOLS



anti-slip mesh



ladder



plate



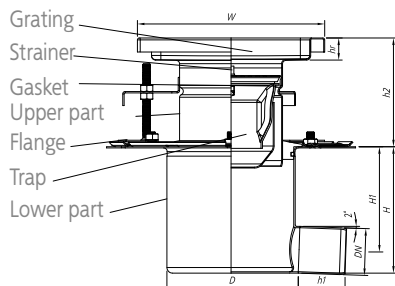
perforated sheet



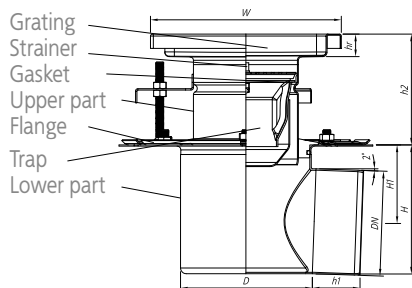
# Mini FLOOR DRAINS horizontal with square top, two-part



WITH DN 50 OUTLET



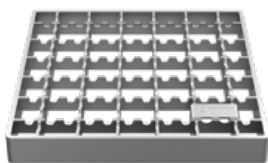
WITH DN 110 OUTLET



Drain symbol	Wm200/50H2	Wm200/75H2	Wm200/110H2
Complete drain catalogue number mat. 304 with anti-slip mesh grating	00.041050.20	00.041075.20	00.041110.20
Complete drain catalogue number mat. 304 with ladder grating	00.041050.31	00.041075.31	00.041110.31
Complete drain catalogue number mat. 304 with plate grating	00.041050.40	00.041075.40	00.041110.40
Complete drain catalogue number mat. 304 with perforated sheet grating	00.041050.12	00.041075.12	00.041110.12
Dimensions	H2	70-120	70-120
	DN	50	75
	H	135	135
	h1	60	60
	D	137	137
	W	200x200	200x200
	hr	20	20
Drain body catalogue number mat. 304 upper part	20.030110.05	20.030110.05	20.030110.05
Drain body catalogue number mat. 304 lower part	50.059050.00	50.059075.00	50.059110.00
Trap catalogue number	00.150110.01	00.150110.01	00.150110.01
Strainer catalogue number	01.150110.00	01.150110.00	01.150110.00
Trap flow rate [l/s]	0.9	0.9	0.9
Grating catalogue no.	anti-slip mesh	06.200164.05	06.200164.05
	ladder	09.200164.05	09.200164.05
	plate	10.200164.05	10.200164.05
	perforated sheet	01.200165.05	01.200165.05

\* to order a complete drain made of 316 material, change the first digit of the catalogue number to "1", e.g. 10.056050.70

## GRATING SYMBOLS



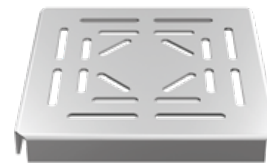
anti-slip mesh



ladder



plate



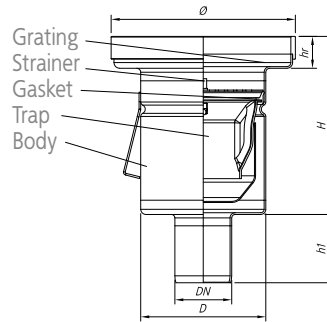
perforated sheet



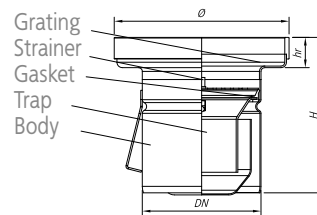
# Mini FLOOR DRAINS vertical with round top, single-part



WITH DN 50 OUTLET



WITH DN 110 OUTLET



Drain symbol		Dm160/50V1	Dm200/50V1	Dm160/75V1	Dm200/75V1	Dm160/110V1	Dm200/110V1
Complete drain catalogue number mat. 304 with anti-slip mesh grating		08.036050.23	08.034050.23	08.036075.23	08.034075.23	08.036110.23	08.034110.23
Complete drain catalogue number mat. 304 with ladder grating		08.036050.34	08.034050.34	08.036075.34	08.034075.34	08.036110.34	08.034110.34
Complete drain catalogue number mat. 304 with plate grating		08.036050.43	08.034050.43	08.036075.43	08.034075.43	08.036110.43	08.034110.43
Complete drain catalogue number mat. 304 with tight plate grating		08.036050.50	08.034050.50	08.036075.50	08.034075.50	08.036110.50	08.034110.50
Dimensions	DN	50	50	75	75	110	110
	H	156	156	156	156	144	144
	h1	60	60	60	60	-	-
	D	110	110	110	110	110	110
	Ø	162	198	162	198	162	198
	hr	25	25	25	25	25	25
Drain body catalogue number mat. 304		28.036050.06	28.034050.06	28.036075.06	28.034075.06	28.036110.06	28.034110.06
Trap catalogue number		00.150110.01	00.150110.01	00.150110.01	00.150110.01	00.150110.01	00.150110.01
Strainer catalogue number		01.150110.00	01.150110.00	01.150110.00	01.150110.00	01.150110.00	01.150110.00
Trap flow rate [l/s]		0.9	0.9	0.9	0.9	0.9	0.9
Grating catalogue no.	anti-slip mesh	06.160152.06	06.200188.06	06.160152.06	06.200188.06	06.160152.06	06.200188.06
	ladder	09.160152.06	09.200188.06	09.160152.06	09.200188.06	09.160152.06	09.200188.06
	plate	17.160152.06	17.200188.06	17.160152.06	17.200188.06	17.160152.06	17.200188.06
	tight plate	16.160152.06	16.200188.06	16.160152.06	16.200188.06	16.160152.06	16.200188.06

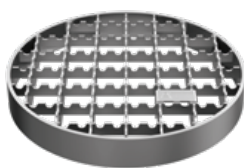


Drain grating with a tight plate cover is removed using a suction cap. This is an additional element – it is not available in the drain set.

\* to order a complete drain made of 316 material, change the first digit of the catalogue number to "1", e.g. 10.056050.70

In case of floor drains with a tight plate grating, an 8 [mm] thick plate grating with a circumference seal is used.

## GRATING SYMBOLS



anti-slip mesh



ladder



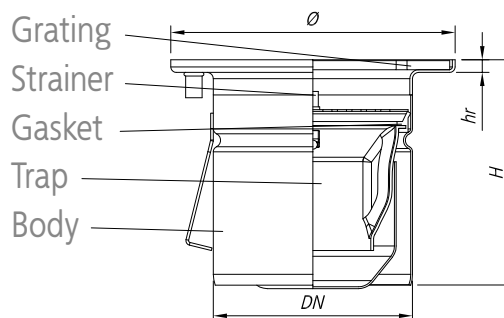
plate



tight plate



# Mini FLOOR DRAINS vertical with round top, single-part



Drain symbol		Dms160/110V1
Complete drain catalogue number mat. 304 with perforated plate grating		08.038110.57
Dimensions	DN	110
	H	124
	h1	-
	D	110
	Ø	160
	hr	5
Drain body catalogue number mat. 304		28.038110.02
Trap catalogue number		00.150110.01
Strainer catalogue number		01.150110.00
Trap flow rate [ l/s ]		0.9
Grating catalogue no.	plate	20.160152.02

\* to order a complete drain made of 316 material, change the first digit of the catalogue number to "1", e.g. 10.056050.70

## GRATING SYMBOL

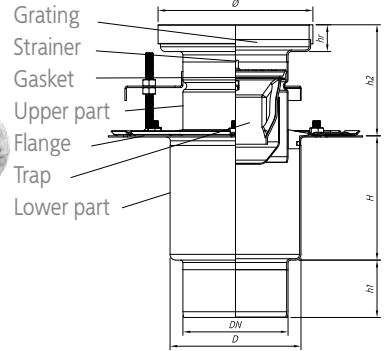
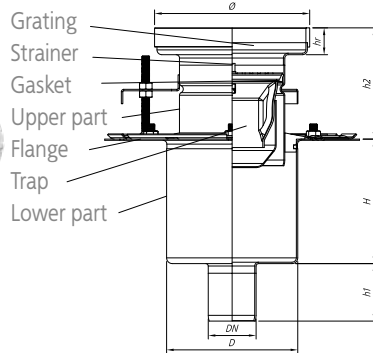


For Dms160/110V1 floor drain only perforated plate (P) grating is available.





# Mini FLOOR DRAINS vertical with round top, two-part



## WITH DN 50 OUTLET

## WITH DN 110 OUTLET

Drain symbol	Dm160/50V2	Dm200/50V2	Dm160/75V2	Dm200/75V2	Dm160/110V2	Dm200/110V2
Complete drain catalogue number mat. 304 with anti-slip mesh grating	08.037050.43	08.035050.43	08.037075.43	08.035075.43	08.037110.43	08.035110.43
Complete drain catalogue number mat. 304 with ladder grating	08.037050.50	08.035050.50	08.037075.50	08.035075.50	08.037110.50	08.035110.50
Complete drain catalogue number mat. 304 with plate grating	00.037050.43	00.035050.43	00.037075.43	00.035075.43	00.037110.43	00.035110.43
Complete drain catalogue number mat. 304 with tight plate grating	00.037050.50	00.035050.50	00.037075.50	00.035075.50	00.037110.50	00.035110.50
Dimensions	H2	75-125	75-125	75-125	75-125	75-125
	DN	50	50	75	75	110
	H	130	130	130	130	130
	h1	60	60	60	60	60
	D	137	137	137	137	137
	Ø	162	198	162	198	162
	hr	25	25	25	25	25
Drain body catalogue number mat. 304 upper part	28.036110.06	28.034110.06	28.036110.06	28.034110.06	28.036110.06	28.034110.06
Drain body catalogue number mat. 304 lower part	50.057050.00	50.057050.00	50.057075.00	50.057075.00	50.057110.00	50.057110.00
Trap catalogue number	00.150110.01	00.150110.01	00.150110.01	00.150110.01	00.150110.01	00.150110.01
Strainer catalogue number	01.150110.00	01.150110.00	01.150110.00	01.150110.00	01.150110.00	01.150110.00
Trap flow rate [ l/s ]	0.9	0.9	0.9	0.9	0.9	0.9
Grating catalogue no.	anti-slip mesh	06.160152.06	06.200188.06	06.160152.06	06.200188.06	06.160152.06
	ladder	09.160152.06	09.200188.06	09.160152.06	09.200188.06	09.160152.06
	plate	17.160152.06	17.200188.06	17.160152.06	17.200188.06	17.160152.06
	tight plate	16.160152.06	16.200188.06	16.160152.06	16.200188.06	16.160152.06

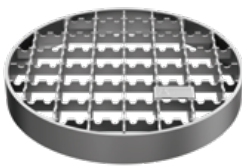


Drain grating with a tight plate cover is removed using a suction cap. This is an additional element – it is not available in the drain set.

\* to order a complete drain with a sand sediment basket, change the first digit of the catalogue number to "1", e.g. 10.005075.13

In case of floor drains with a tight plate grating, an 8 [mm] thick plate grating with a circumference seal is used.

## GRATING SYMBOLS



anti-slip mesh



ladder



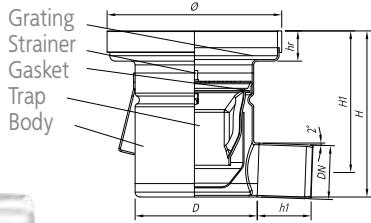
plate



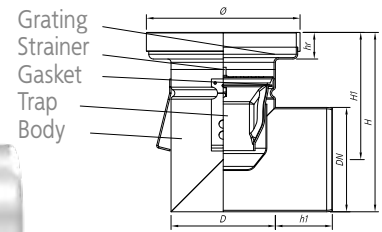
tight plate



# Mini FLOOR DRAINS horizontal with round top, single-part



WITH DN 50 OUTLET



WITH DN 110 OUTLET

Drain symbol	Dm160/50H1	Dm200/50H1	Dm160/75H1	Dm200/75H1	Dm160/110H1	Dm200/110H1	
Complete drain catalogue number mat. 304 with anti-slip mesh grating	08.046050.23	08.044050.23	08.046075.23	08.044075.23	08.046110.23	08.044110.23	
Complete drain catalogue number mat. 304 with ladder grating	08.046050.34	08.044050.34	08.046075.34	08.044075.34	08.046110.34	08.044110.34	
Complete drain catalogue number mat. 304 with plate grating	08.046050.43	08.044050.43	08.046075.43	08.044075.43	08.046110.43	08.044110.43	
Complete drain catalogue number mat. 304 with tight plate grating	08.046050.50	08.044050.50	08.046075.50	08.044075.50	08.046110.50	08.044110.50	
Dimensions	DN	50	50	75	75	110	110
	H	156	156	156	156	189	189
	h1	60	60	60	60	60	60
	D	110	110	110	110	110	110
	Ø	162	198	162	198	162	198
	hr	25	25	25	25	25	25
Drain body catalogue number mat. 304	28.046050.06	28.044050.06	28.046075.06	28.044075.06	28.046110.06	28.044110.06	
Trap catalogue number	00.150110.01	00.150110.01	00.150110.01	00.150110.01	00.150110.01	00.150110.01	
Strainer catalogue number	01.150110.00	01.150110.00	01.150110.00	01.150110.00	01.150110.00	01.150110.00	
Trap flow rate [l/s]	0.9	0.9	0.9	0.9	0.9	0.9	
Grating catalogue no.	anti-slip mesh	06.160152.06	06.200188.06	06.160152.06	06.200188.06	06.160152.06	06.200188.06
	ladder	09.160152.06	09.200188.06	09.160152.06	09.200188.06	09.160152.06	09.200188.06
	plate	17.160152.06	17.200188.06	17.160152.06	17.200188.06	17.160152.06	17.200188.06
	tight plate	16.160152.06	16.200188.06	16.160152.06	16.200188.06	16.160152.06	16.200188.06

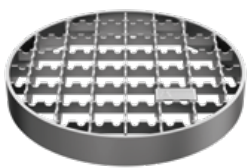


Drain grating with a tight plate cover is removed using a suction cap. This is an additional element – it is not available in the drain set.

\* to order a complete drain made of 316 material, change the first digit of the catalogue number to "1", e.g. 10.056050.70

In case of floor drains, e.g. with a tight plate grating, an 8 [mm] thick plate grating with a circumference seal is used.

## GRATING SYMBOLS



anti-slip mesh



ladder



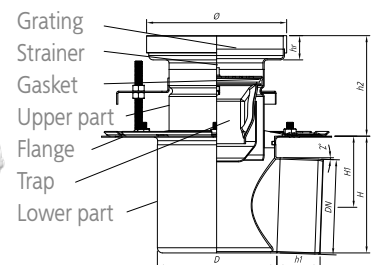
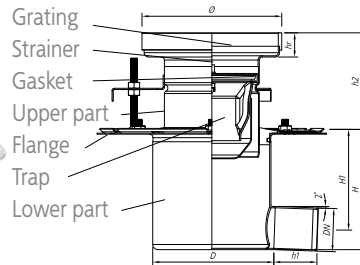
plate



tight plate



# Mini FLOOR DRAINS horizontal with round top, two-part



## WITH DN 50 OUTLET

## WITH DN 110 OUTLET

Drain symbol	Dm160/50H2	Dm200/50H2	Dm160/75H2	Dm200/75H2	Dm160/110H2	Dm200/110H2	
Complete drain catalogue number mat. 304 with anti-slip mesh grating	08.047050.23	08.045050.23	08.047075.23	08.045075.23	08.047110.23	08.045110.23	
Complete drain catalogue number mat. 304 with ladder grating	08.047050.34	08.045050.34	08.047075.34	08.045075.34	08.047110.34	08.045110.34	
Complete drain catalogue number mat. 304 with plate grating	08.047050.43	08.045050.43	08.047075.43	08.045075.43	08.047110.43	08.045110.43	
Complete drain catalogue number mat. 304 with tight plate grating	08.047050.50	08.045050.50	08.047075.50	08.045075.50	08.047110.50	08.045110.50	
Dimensions	H2	75-125	75-125	75-125	75-125	75-125	
	DN	50	50	75	75	110	
	H	135	135	135	135	135	
	h1	60	60	60	60	60	
	D	137	137	137	137	137	
	Ø	162	198	162	198	162	
	hr	25	25	25	25	25	
Drain body catalogue number mat. 304 upper part	28.036110.06	28.034110.06	28.036110.06	28.034110.06	28.036110.06	28.034110.06	
Drain body catalogue number mat. 304 lower part	50.059050.00	50.059050.00	50.059075.00	50.059075.00	50.059110.00	50.059110.00	
Trap catalogue number	00.150110.01	00.150110.01	00.150110.01	00.150110.01	00.150110.01	00.150110.01	
Strainer catalogue number	01.150110.00	01.150110.00	01.150110.00	01.150110.00	01.150110.00	01.150110.00	
Trap flow rate [l/s]	0.9	0.9	0.9	0.9	0.9	0.9	
Grating catalogue no.	anti-slip mesh	06.160152.06	06.200188.06	06.160152.06	06.200188.06	06.160152.06	06.200188.06
	ladder	09.160152.06	09.200188.06	09.160152.06	09.200188.06	09.160152.06	09.200188.06
	plate	17.160152.06	17.200188.06	17.160152.06	17.200188.06	17.160152.06	17.200188.06
	tight plate	16.160152.06	16.200188.06	16.160152.06	16.200188.06	16.160152.06	16.200188.06

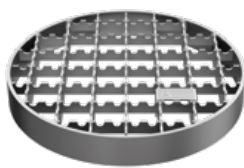


Floor drain grating with a tight plate cover is removed using a suction cap. This is an additional element – it is not available in the drain set.

\* to order a complete drain made of 316 material, change the first digit of the catalogue number to "1", e.g. 10.056050.70

In case of floor drains with a tight plate grating, an 8 [mm] thick plate grating with a circumference seal is used.

## GRATING SYMBOLS



anti-slip mesh



ladder



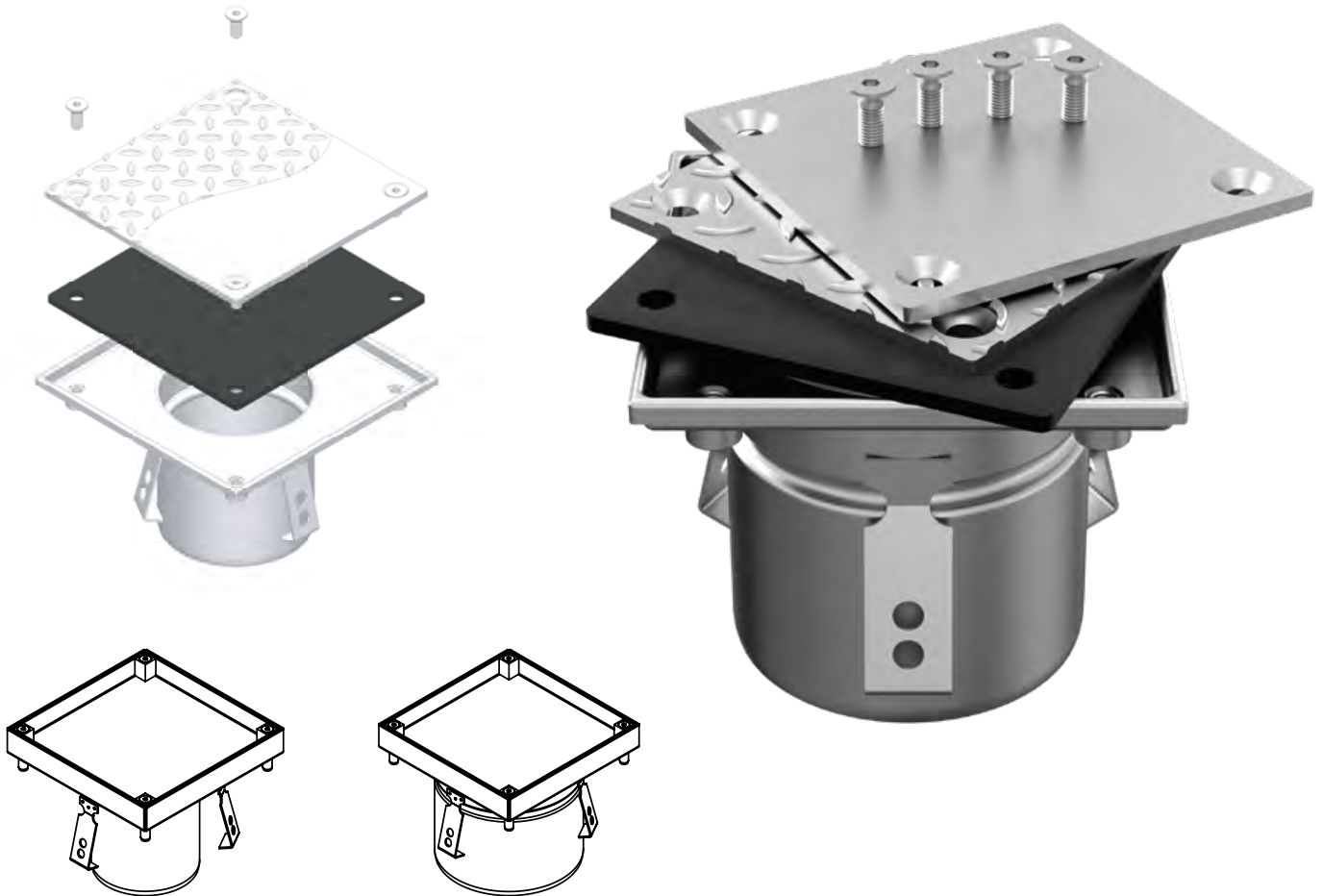
plate



tight plate



# RODDING EYES



These sewage system elements are widely applied in industrial facilities (chemical, food, pharmaceutical plants etc.). Use of a rodding eye allows quick access to the underfloor area and easy cleaning.

Rodding eyes are made of AISI304 or AISI316 grade steel. Penetration of water is prevented by the seal installed between the bolted cover and the body.

Two types of covers are available:

- **smooth (G),**
- **checker plate (R).**

Edge finish allows for installation in any type of floor.

We offer rodding eyes for sewage pipes of diameters from DN110.

## ADVANTAGES OF RODDING EYES

- resistant to corrosion,
- provide a barrier against odours,
- easy installation,
- dimensions of offered rodding eyes are adapted to the sewage system diameter,
- an aesthetically pleasing design element.

## INSTALLATION OF RODDING EYES

1. Drain pipe must be connected at an appropriate height.
2. While pouring concrete, the upper part of the rodding eye must be located approximately 1-1.5 [mm] below the floor.

# RODDING EYES



Symbol	Catalogue number.	Dimensions [mm]	
Rw 150/110		DN	110
Catalogue number of complete rodding eye mat. 304 with smooth plate grating	08.050110.53	W	150
Catalogue number of complete rodding eye mat. 304 with checker plate grating	08.050110.54	H	126
Smooth plate grating	11.150141.02		
Checker plate grating	13.150141.02		

Symbol	Catalogue number.	Dimensions [mm]	
Rw 200/110		DN	110
Catalogue number of complete rodding eye mat. 304 with smooth plate grating	08.051110.53	W	200
Catalogue number of complete rodding eye mat. 304 with checker plate grating	08.051110.54	H	127
Smooth plate grating	11.200195.02		
Checker plate grating	13.200195.02		

Symbol	Catalogue number.	Dimensions [mm]	
Rw 200/160		DN	160
Catalogue number of complete rodding eye mat. 304 with smooth plate grating	08.051160.53	W	200
Catalogue number of complete rodding eye mat. 304 with checker plate grating	08.051160.54	H	127
Smooth plate grating	11.200195.02		
Checker plate grating	13.200195.02		

Symbol	Catalogue number.	Dimensions [mm]	
Rw 250/160		DN	160
Catalogue number of complete rodding eye mat. 304 with smooth plate grating	08.052160.53	W	250
Catalogue number of complete rodding eye mat. 304 with checker plate grating	08.052160.54	H	127
Smooth plate grating	11.250245.02		
Checker plate grating	13.250245.02		

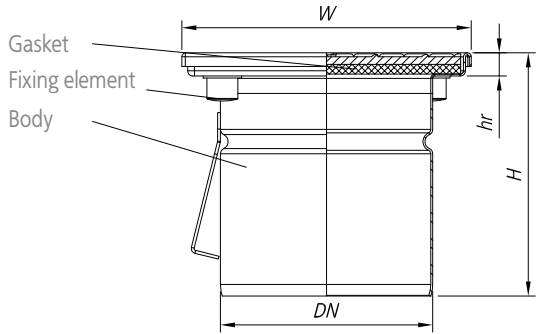
Symbol	Catalogue number.	Dimensions [mm]	
Rw 250/200		DN	200
Catalogue number of complete rodding eye mat. 304 with smooth plate grating	08.053200.53	W	300
Catalogue number of complete rodding eye mat. 304 with checker plate grating	08.053200.54	H	127
Smooth plate grating	11.300295.02		
Checker plate grating	13.300295.02		

Symbol	Catalogue number.	Dimensions [mm]	
Rw 300/160		DN	160
Catalogue number of complete rodding eye mat. 304 with smooth plate grating	08.053160.53	W	300
Catalogue number of complete rodding eye mat. 304 with checker plate grating	08.053160.54	H	127
Smooth plate grating	11.300295.02		
Checker plate grating	13.300295.02		

Symbol	Catalogue number.	Dimensions [mm]	
Rw 300/200		DN	200
Catalogue number of complete rodding eye mat. 304 with smooth plate grating	00.053200.53	W	300
Catalogue number of complete rodding eye mat. 304 with checker plate grating	00.053200.54	H	127
Smooth plate grating	11.300295.02		
Checker plate grating	13.300295.02		



# RODDING EYES



CHECKER PLATE COVER



SMOOTH COVER



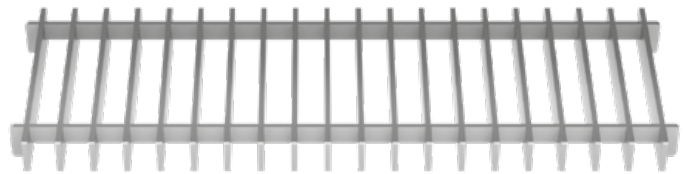
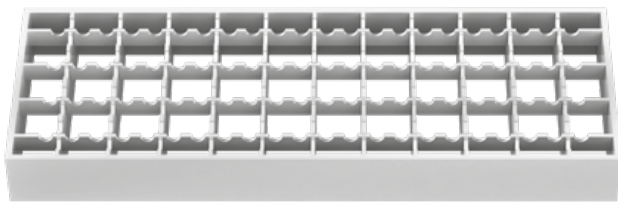
## ELEMENTS OF RODDING EYE

- body,
- cover,
- fixing screws,
- seal.

# LINEAR DRAINAGE



# STANDARD CHANNELS



They are used to collect waste from the surface of the floor and drain it into the sewage system. Drainages of this type are used in food plants (breweries, dairies, abattoirs) and chemical industry plants.

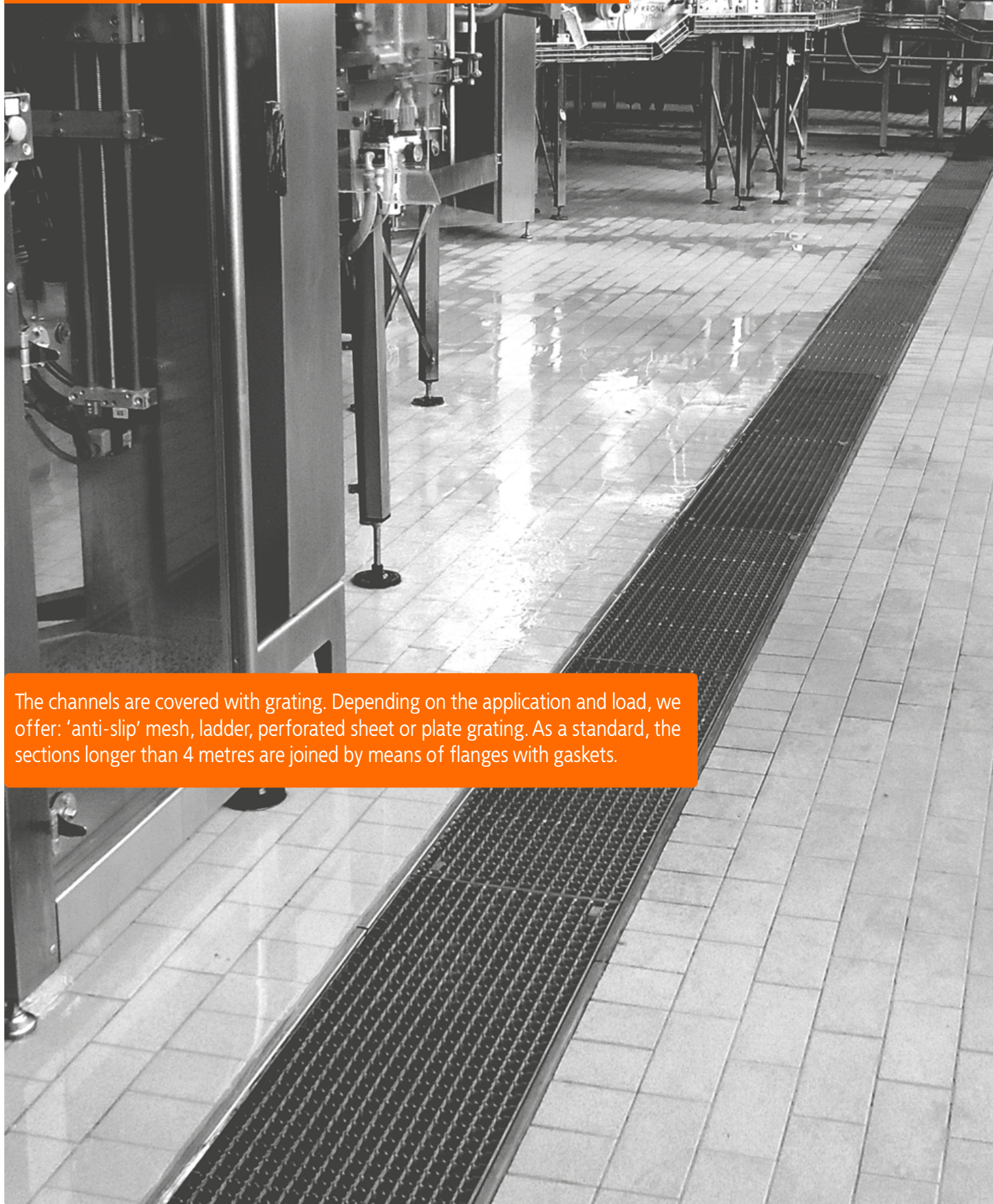
## PRODUCTION TECHNOLOGY

Standard channels are manufactured in a wide range of dimensions and shapes. They are produced according to a drawing prepared as a result of cooperation between an investor, a designer or a technologist

and ATT engineers. By standard, we use sheet metal of 2 [mm] thickness made of AISI 304, EN 1.4301 or AISI 316L, EN 1.4404 grade steel for production. The drainpipes have built-in bottom slope, which by standard is 0,5%. There is a possibility to adapt the size of the slope to a specific project. In order to facilitate installation, each channel is equipped with rectifying screws and anchoring elements. They allow correct levelling of the drainpipe and its settling in concrete.



## STANDARD CHANNELS



The channels are covered with grating. Depending on the application and load, we offer: 'anti-slip' mesh, ladder, perforated sheet or plate grating. As a standard, the sections longer than 4 metres are joined by means of flanges with gaskets.

# STANDARD CHANNELS



## ADVANTAGES OF THE CHANNELS

- drain large amounts of water,
- they may be easily configured and connected at required angles with other standard or slot channels,
- it is possible to apply various types of covering gratings,
- easy access for cleaning (rounded internal corners, removable gratings, waste basket with a trap),
- the channel edge can be adapted to the floor type (additional edge flanging for tiles, angle for expansion joints),
- a rodding eye is installed in the sewage system in the place of drainage.

## DESIGN DESIGNATIONS

Standard channels are defined by determining the external width (S150, S200, S220, S600 etc.).

### EXAMPLE

S150 – means a channel of external width of 150 [mm].

In case of a S150 channel, the grating width will be 107 [mm], and the hydraulic width will be  $Sh = 78$  [mm]. When determining the parameters of drainage, the basic guidelines are: the amount of discharge/type of load.



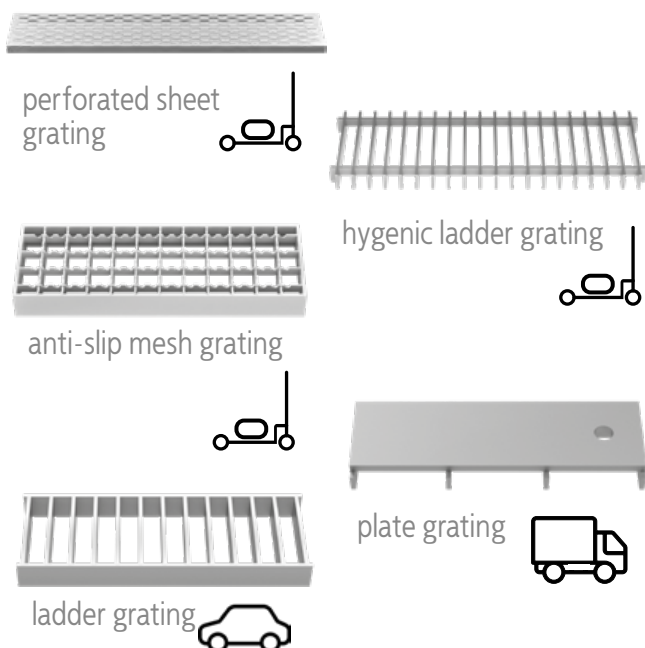
# STANDARD CHANNELS

## GRATINGS

The most typical grating to cover the standard channels is hygienic ladder grating. Our products range also includes the anti-slip mesh grating, plate or perforated sheet gratings, all in different sizes and dimensions.

The gratings are selected depending on the place of installation of the channel, taking into account the load class and functionality.

In the places of intensive forklift traffic, it is recommended to install a plate or ladder grating, while in case of large amounts of drained water – a mesh and ladder grating.

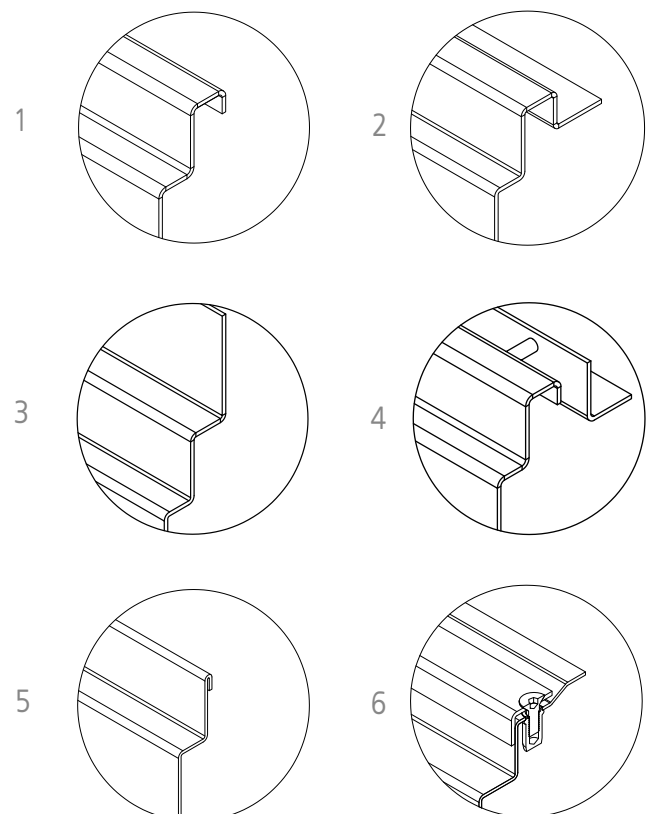


## CHANNEL EDGES FINISHING

The edge finishing should depend on the flooring and wastewater temperature.

We can offer the following options:

- 1 – with downward flange (standard)
- 2 – with flange
- 3 – with raised back edge
- 4 – with edge angle section for the expansion joint in the floor
- 5 – with tightly plately folded edges
- 6 – for a vinyl floor



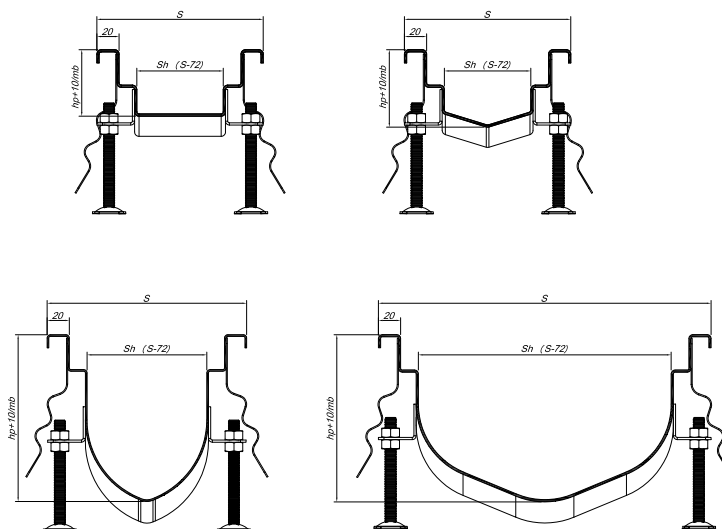
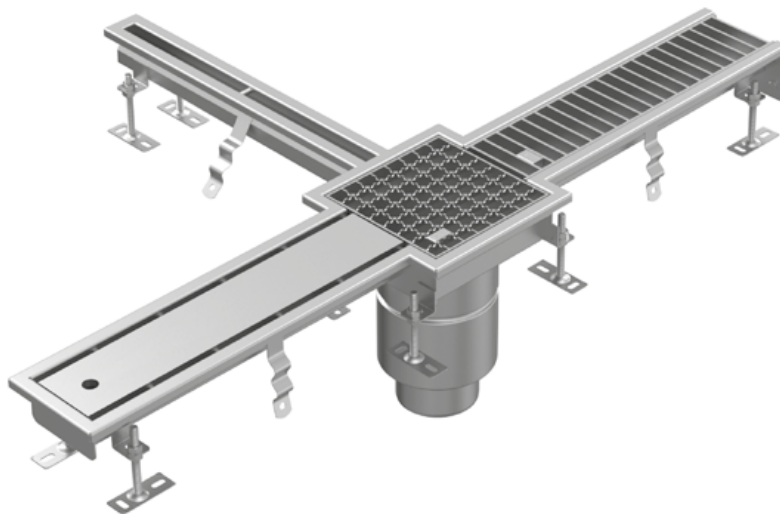
# STANDARD CHANNELS

The following figure presents an example channel arrangement. The distribution of drains and the arrangement of the channel, depends on the needs and the amount of water collected on the floor during the technological process. There is a possibility to cross-connect the systems we have on offer.

Arrangement of the channel should be prepared by a designer in cooperation with a technologist. In case of any technical doubts related to execution of a given

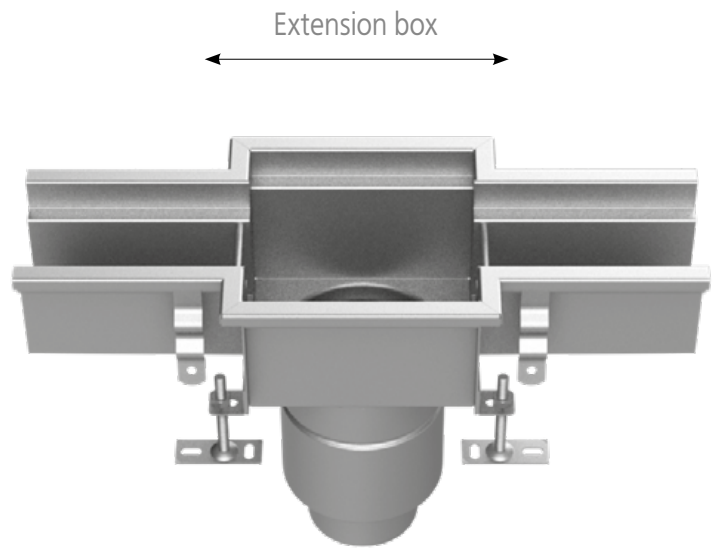
drainage, our consultants can assist you. The outlet of the channel is equipped with a trap and a waste basket, which secure the sewage system against solid contamination. The drainage part is also equipped with a flange, which can be supplemented with a horizontal insulation.

Such a solution ensures tightness at the point where the outlet passes through the ceiling.



hp. – the initial height of the channel, the slope of the channel bottom depends on the specification requirements and installation possibilities.

# STANDARD CHANNELS



The table below shows the standard dimensions of the channel extension depending on the type of outlet used. The extension is always 10 [mm] deeper than the channel it is connected to.

Due to the fact that the grating has bearing elements of one direction only, the extension is asymmetrical, which prevents incorrect installation.

Outlet type	Outlet diameter [mm]	Diameter of the body [mm]	Dimensions of the extension box (length X width) [mm]	Channel without extension box		Flow rate 1.2 [l/s]
				Minimum channel width [mm]	Minimum hydraulic width [mm]	
Wm150/Wm200/50,75,110V1/2,H1/2	50,75,110	110	205x200	S190	120	0.9
W200/75,110V1/2,H1/2	75, 110	157	245x240	S240	170	2.1
W250/110V1,H1	110	193	275x270	S270	200	3
W250/110V2,H2	110	172	275x270	S250	190	3
W300/110,160V1/2,H1/2	110, 160	255	355x350	S330	260	5.7
W400/200V1,H1	200	348	445x440	S430	360	13.9
W400/200V2,H2	200	320	445x440	S400	330	13.9

# SLOT CHANNELS



## ADVANTAGES OF THE SLOT CHANNELS

- they may be connected to other types of channels

Slot channels are an alternative solution to standard channels, used in places where high hydraulic capacity of the channel is not required.

The perfect solution for rooms where condensate drips from machines and air conditioning devices, e.g. in dairies, bakeries and swimming pools, as separation between dry and wet surfaces.

## PRODUCTION TECHNOLOGY

Slot channels are made of stainless steel sheets of 1.5-2 [mm] thickness. They can be non-slope and may be also adapted to a particular floor thickness. Drainage of water from a slot channel may be provided through a spigot or a floor drain with a waste basket and a trap. By standard, the length of a channel with a single outlet should not exceed 10 [m]. Channel sections longer than 4 [m] are connected via sealed flanges or they can also be welded during installation.

# SLOT CHANNELS

## MINI SLOT CHANNEL

MINI slot channels are made of 1.5 [mm] stainless steel sheets. The channel is not covered with any grating. It is characterised by a smaller inlet opening and clearance width. They are used in applications where lower amounts of wastewater are drained.

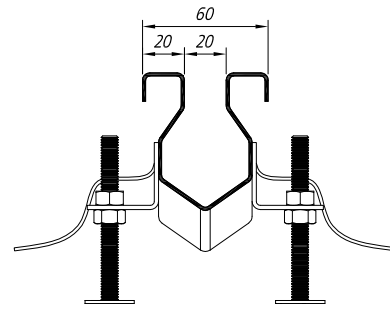
## MAXI SLOT CHANNEL

MAXI slot channels are made of 2 [mm] stainless steel sheets. The channel is not covered with any grating, and it is characterised by increased hydraulic efficiency compared to standard channels. It is characterised by a greater inlet opening and clearance width. It is used wherever it is necessary to drain greater amounts of wastewater and, due to the production process (lack of large solid contamination), there is no need to use a standard channel.

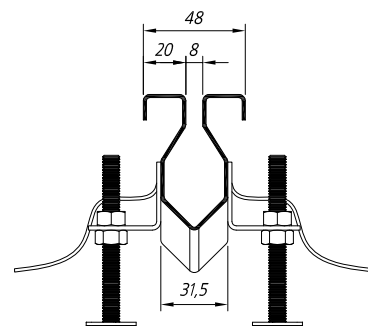
## MINI STANDARD CHANNEL

The mini type standard channel combines the advantages of standard and slot channels. This is a channel of small dimensions with a covering grating. Channels of this type are installed wherever small amounts of water must be drained and it is necessary to use a channel with a possibility to install a rodding eye. By standard, stainless steel sheets of 1,5-2 [mm] thickness made of AISI 304 or AISI 316 grade steel are used for production.

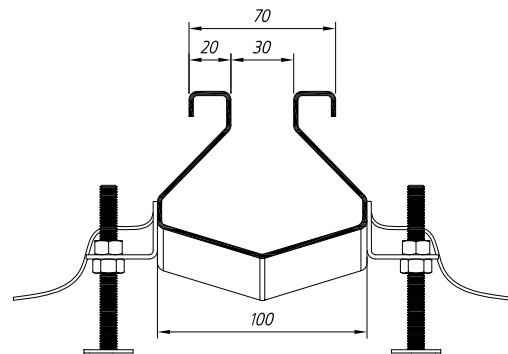
The slot channels and mini standard channel are equipped with levelling bolts and anchoring elements. The technology of installation and further operation is the same as with standard channels.



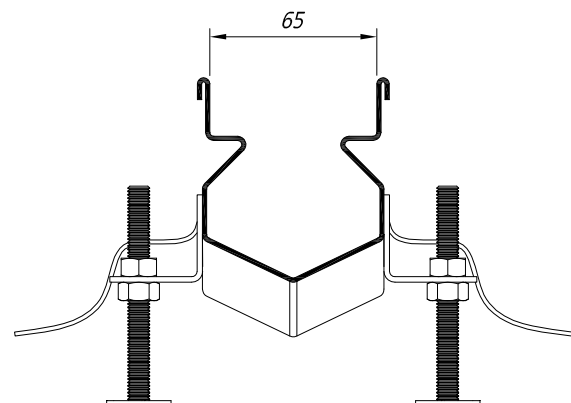
Slot channel



Mini slot channel



Maxi slot channel

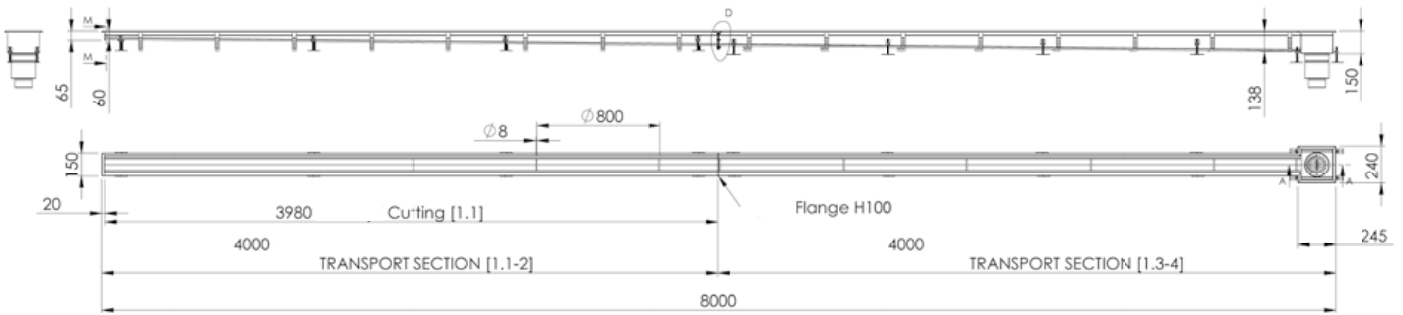


Mini standard channel

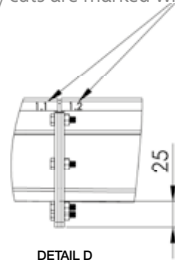


# LINEAR DRAINAGE

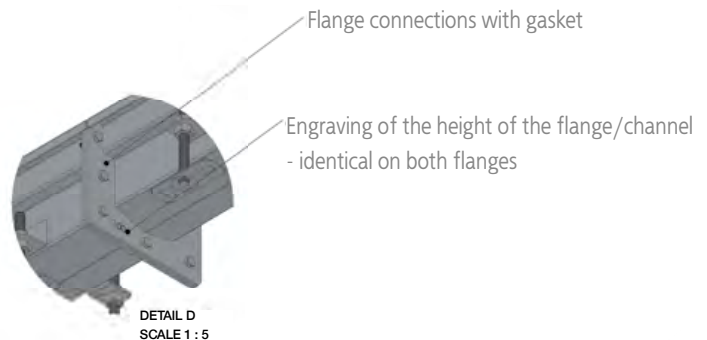
## CHANNELS ASSEMBLY DIAGRAM



The numbers of sections/cuts are marked with an engraving



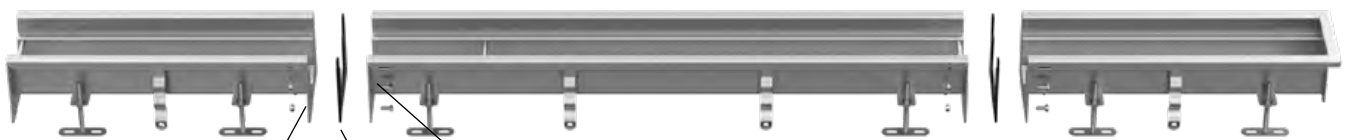
DETAIL D  
SCALE 1:5



DETAIL D  
SCALE 1:5

Flange connections with gasket

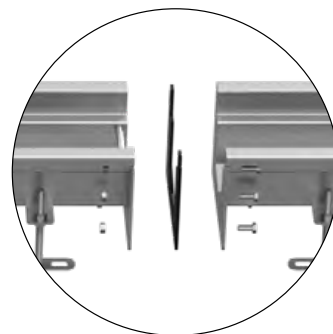
Engraving of the height of the flange/channel  
- identical on both flanges



Channel marking

EPDM rubber

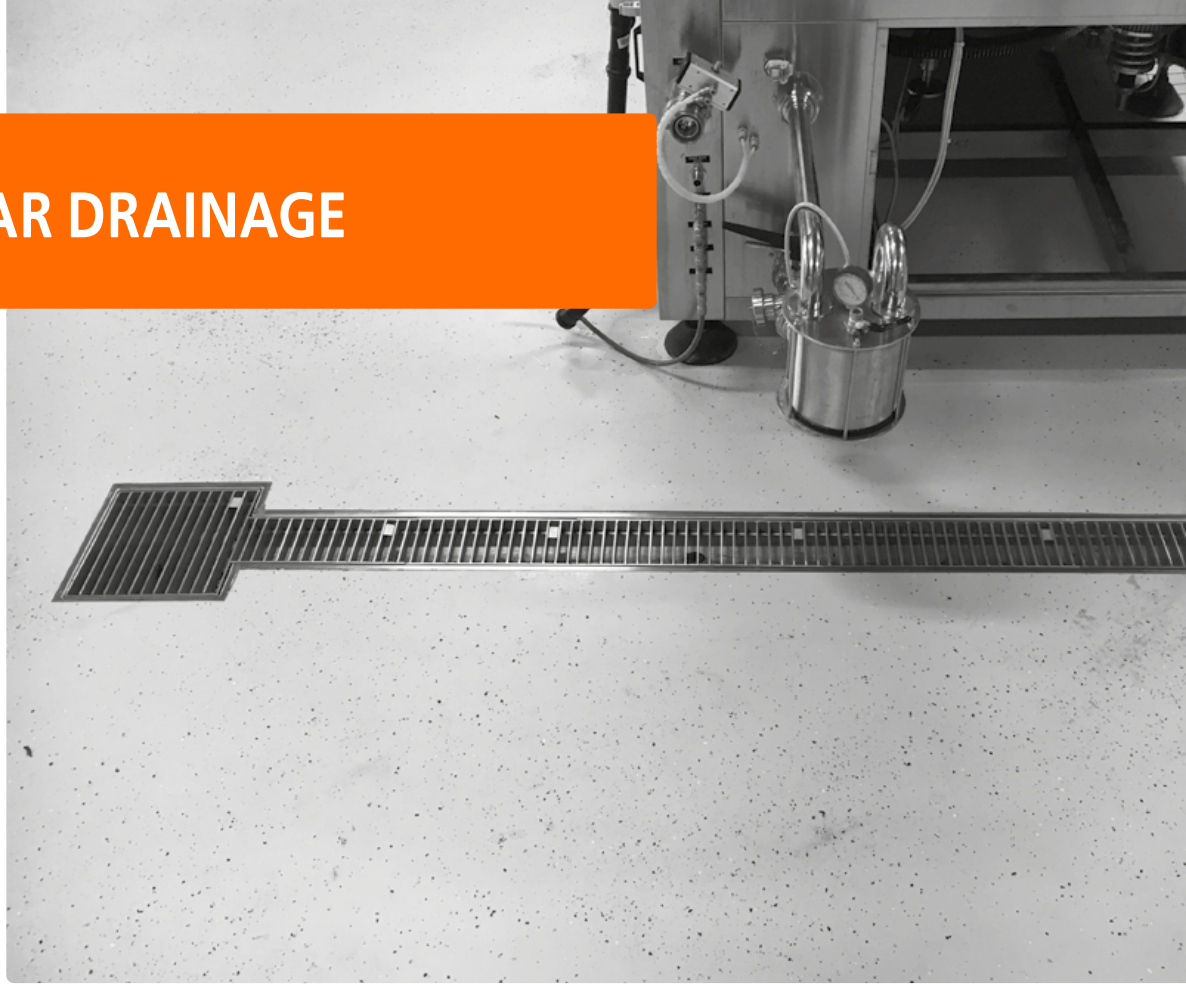
Channel height



By default, channel lines are divided into 4-metre sections that allow for efficient and safe transport of the product. A single element channel to a maximum length of 6 metres can be manufactured.

By standard, elements are connected using mounting flanges. This type of connection requires additional space of 25 [mm] under the bottom of the channel in order to ensure tightness between its sections. Alternatively, the drainage system may be welded directly at the construction site.

# LINEAR DRAINAGE

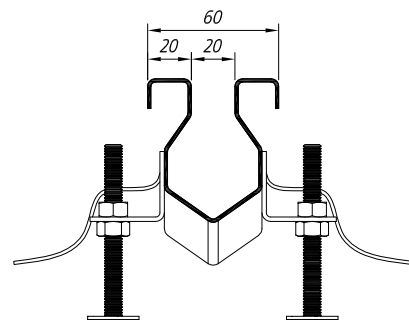


## CHANNELS INSTALLATION

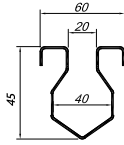
1. Before installing the channel, bolt all of its parts together according to the installation and scheme guide to ensure tightness of all flange connections (flange-gasket-flange).
2. Install the channel prepared as above in the sewer service pipe's spigot.
3. The next step involves placing the channel at the proper height. The channel edge should be 1-1.5 [mm] below the floor level.
4. When the channel is stabilized, we recommend securing it against displacement during concrete pouring.
5. Pour concrete on the levelling legs and anchoring elements.
6. In hard to access areas subjected to highest loads, insert the concrete with a spatula.
7. Make sure the elements are clean and free of dirt. Remove gratings, waste baskets and traps.

## DEPTH OF CHANNELS

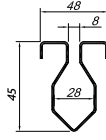
In case of channels with bottom slope, the channel depth increases along with its length. The depth of the outlet at the drain depends on the initial height, length and specified channel slope.



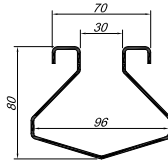
# LINEAR DRAINAGE



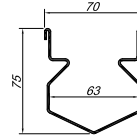
Slot channel



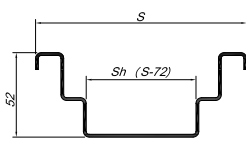
Mini slot channel



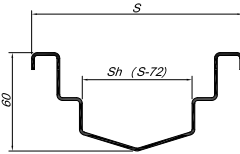
Maxi slot channel



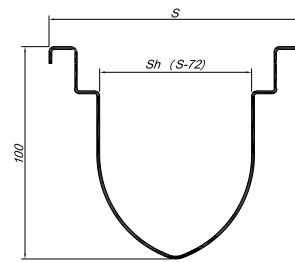
Mini standard channel



Standard channel with flat bottom



Standard channel with v-shaped bottom



Narrow standard channel with rounded bottom

## EDGES FILLING

Unfilled edge.

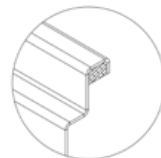
Edge filled with resin. It facilitates assembly and prevents empty spaces between concrete and the edge, thus protecting the edge of the channel against deformation under heavy loads.

Edge filled with stainless steel. Edges filled with flat bars should be used in areas of high traffic intensity and high utility loads.

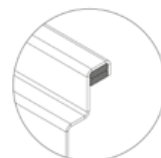
The filling depends on the conditions in which the channel is placed (load-dependent).



No fill



Epoxy



Flat bar fill

# TOP SLOT CHANNEL

## GENERAL INFORMATIONS

Depending on flow rate and load class required, stainless steel top slot can be used for different types of channels made from polymer, concrete, GRP or plastic.

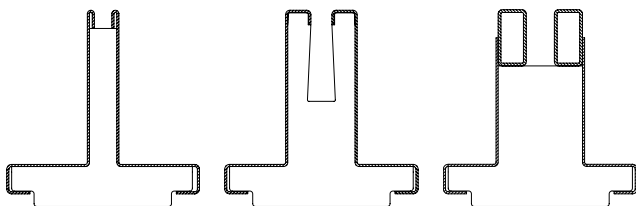
The system after installation is totally secure and resistant to vandalism, which makes it suitable for applications in all public areas. This solution is also perfect for using against building facades and in pedestrian areas thanks to the narrow heelsafe slot.

Product features can be adjusted to meet required loading classes From A15 through B125 up to C250.

Material thickness used for production varies from 1 up to 3 mm.

## APPLICATION

- commercial developments
- public areas
- car parks
- pedestrian zones
- residential areas
- landscaping



FINE

SMART

SQUARE

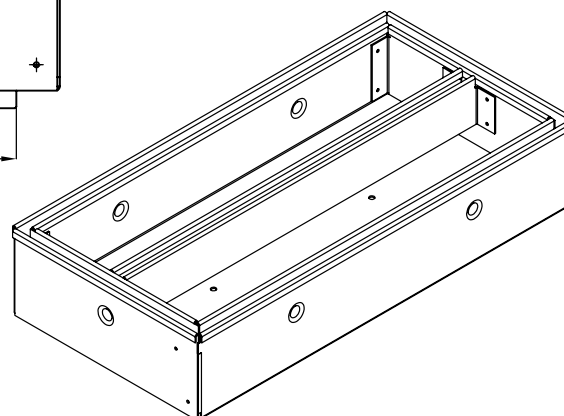
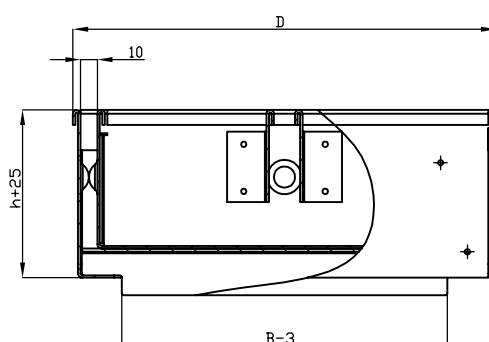
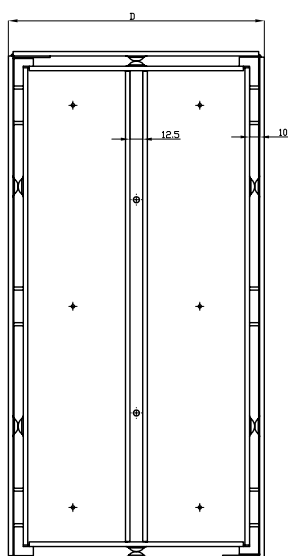
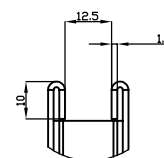
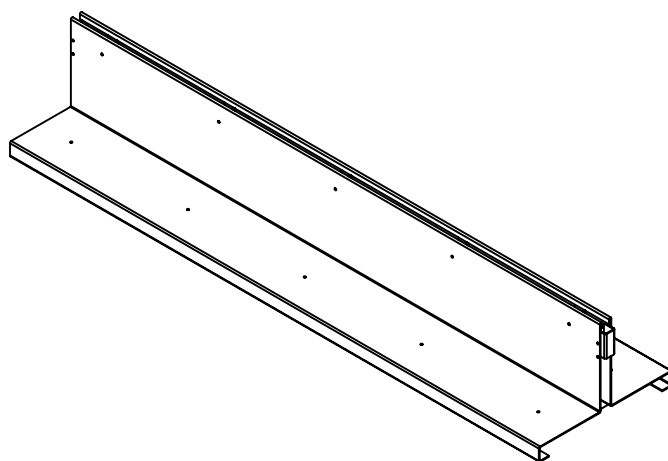
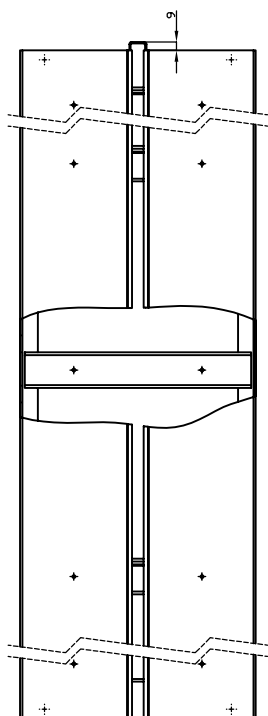
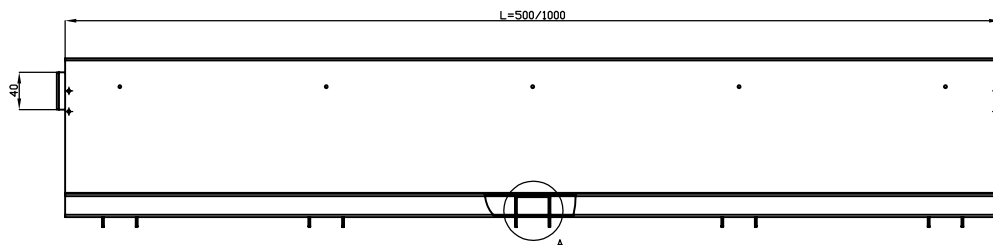
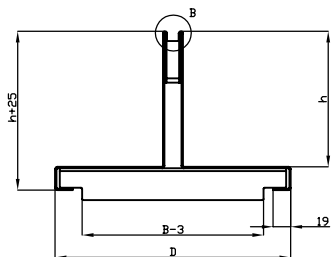


## ADVANTAGES

- enforced top of the slot
- complete product line
- top slot gratings and revision boxes are easy for cleaning and maintenance
- easy installation
- installation possible with any paving material
- fast removal of surface water
- aesthetic look and durability
- parameters can be adjusted to the Clients requirements

# TOP SLOT CHANNELS

## EXAMPLE REALIZATIONS

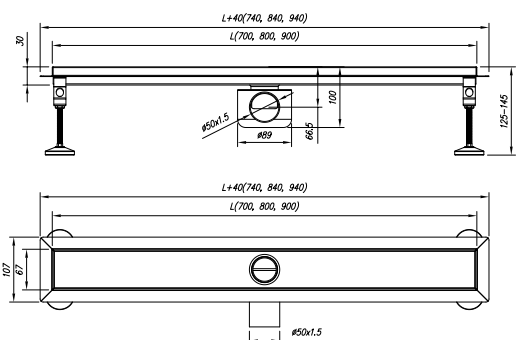




# BATHROOM SOLUTIONS



# BATHROOM CHANNELS



## CHANNEL WITH FLANGE FOR TILE FLOORS

Siphon capacity 0.49 l / grating 700 [mm] in length

channel with flange for tile floors	
length [mm]	Cat. no.
700	00.067007.02
800	00.067008.02
900	00.067009.02
1000*	00.067010.02
1200*	00.067012.02

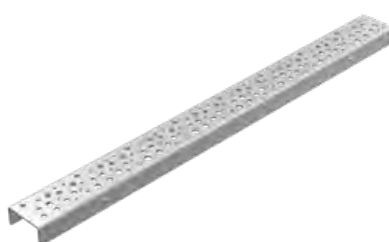
\* At request

Gratings		
Name	Length [mm]	Cat. no.
GOCCIA	Available: 700, 800, 900 At request: 1000, 1200	02.067007*.03
VIPERA		03.067007*.03
QUADRO		05.067007*.03
PIETRA		06.067007*.03
FAGIOLI		04.067007*.03
PIAZZA	At request: 700, 800, 900, 1000, 1200	01.067007*.03

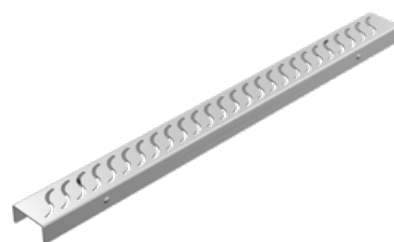
\* digits corresponding to the channel length, e.g.: 02.067007.03 is GOCCIA grating 700 [mm] in length



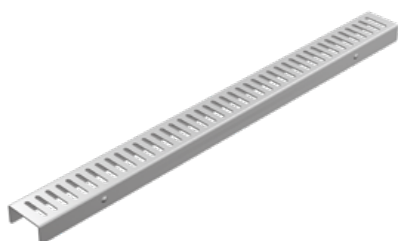
PIAZZA



GOCCIA



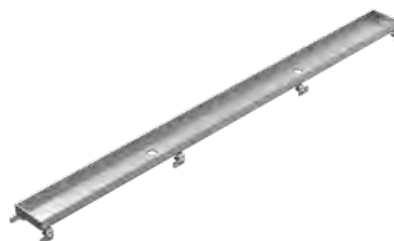
VIPERA



FAGIOLI

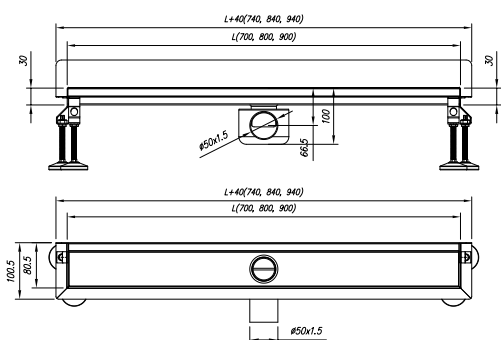


QUADRO



PIETRA

# BATHROOM CHANNELS



## CHANNELS WITH A RAISED BACK EDGE

channel with a raised back edge	
length [mm]	Cat. no.
700	00.080007.02
800	00.080008.02
900	00.080009.02
1000*	00.080010.02
1200*	00.080012.02

\* on request

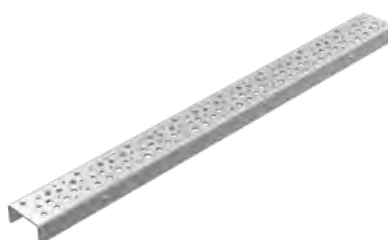
Siphon capacity 0.49 l / grating 700 [mm] in length

Gratings		
Name	Length [mm]	Cat. no.
GOCCIA	Available: 700, 800, 900 At request: 1000, 1200	02.067007*.03
VIPERA		03.067007*.03
QUADRO		05.067007*.03
PIETRA	At request: 700, 800, 900, 1000, 1200	06.067007*.03
FAGIOLI		04.067007*.03
PIAZZA		01.067007*.03

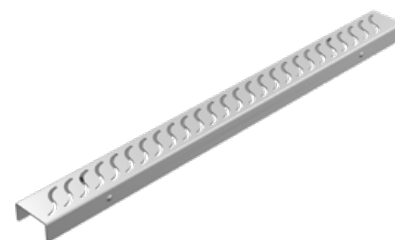
\* digits corresponding to the channel length, e.g.: 02.067007.03 is GOCCIA grating 700 [mm] in length



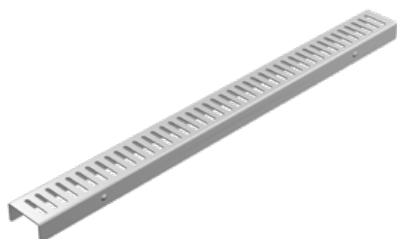
PIAZZA



GOCCIA



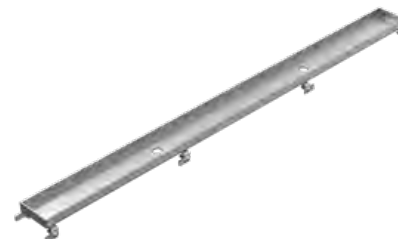
VIPERA



FAGIOLI



QUADRO



PIETRA

# BATHROOM WALL DRAINAGE

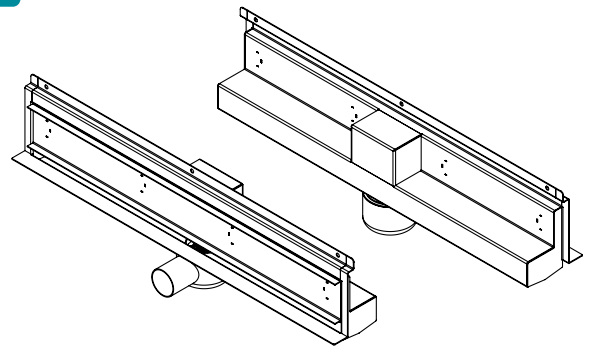
## GENERAL INFORMATIONS

BWD Series is a two-piece low profile wall recess linear drain, that is specifically designed for a truly invisible floor drainage for an easy installation and with bonded waterproofing membrane.

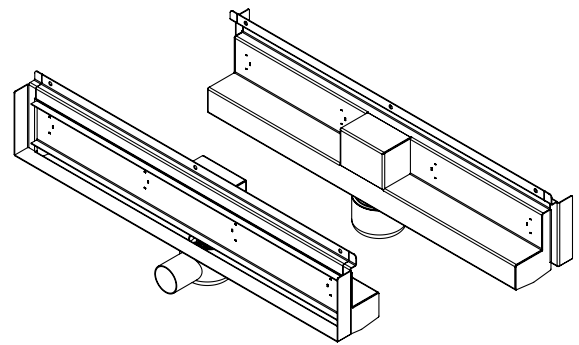
BWD drain is designed to accommodate large, small format tiles or stone installations in a shower with a single plane slope to the drain. Our linear drain is designed for commercial or residential projects and is intended for interior applications.

## ADVANTAGES

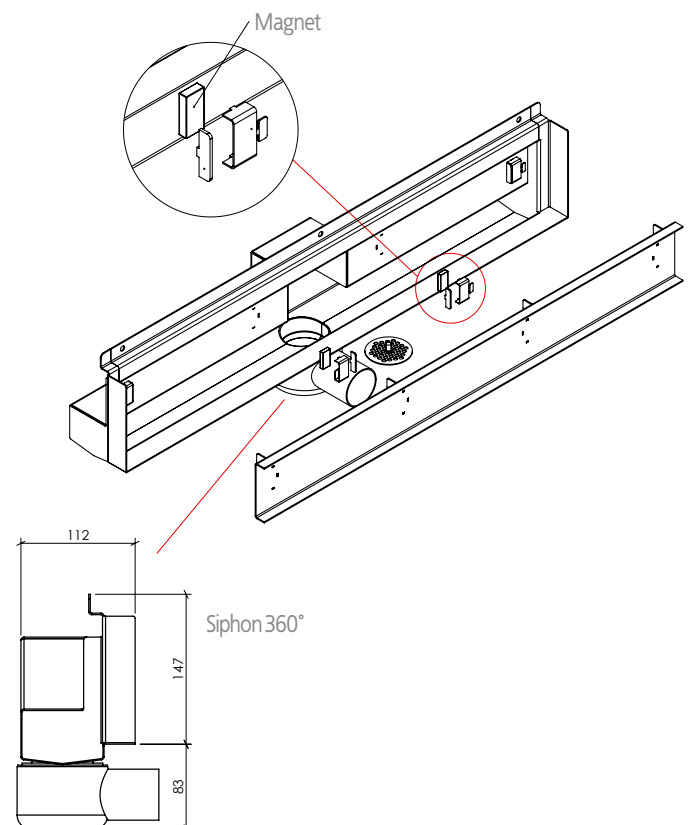
- design of the bottom allows laminar drainage of water
- allows for the use of tiles of any size and format
- applicability of tiles into grating that blend with floor design
- made from heavy duty 304 stainless steel provides for long-lasting performance
- 360 degrees rotating siphon



BWD - without flange



BWD - with flange



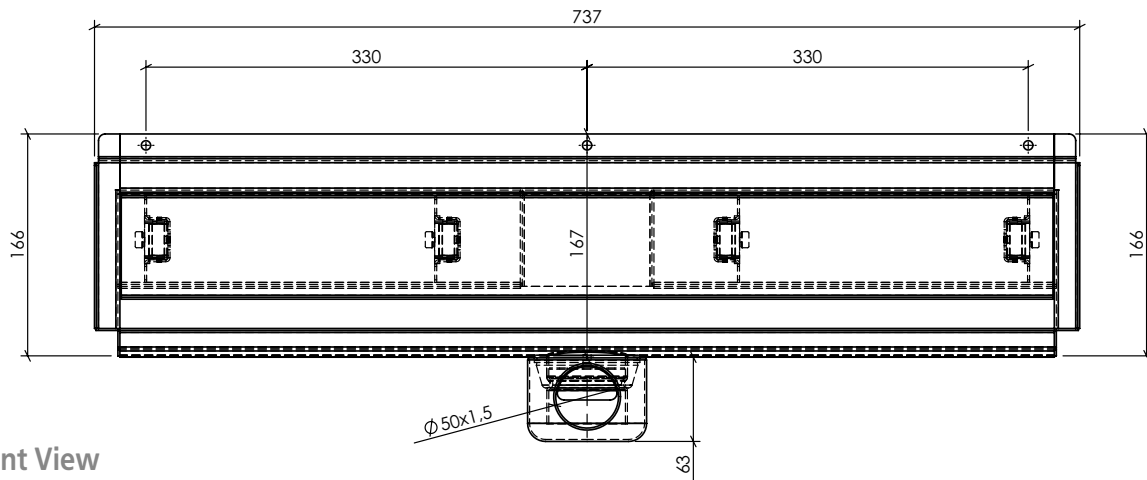


# BATHROOM WALL DRAINAGE

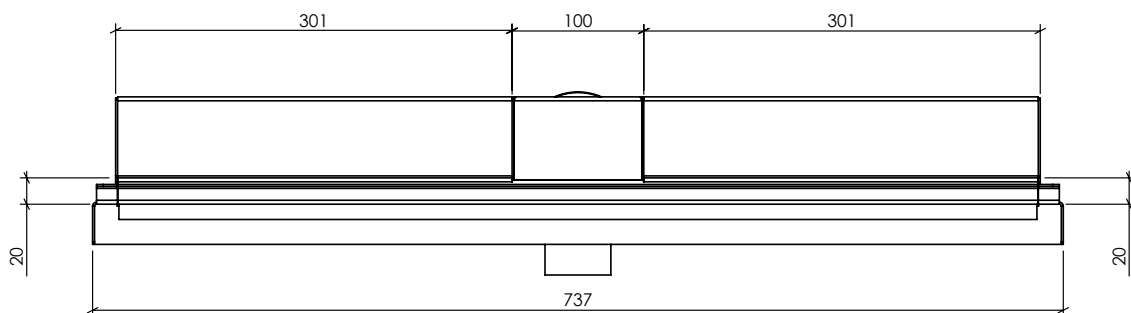
## SPECIFICATION

- Application: Commercial and Residential
- Diameter: 50 mm
- Drain Opening: 50 mm
- Fits Pipe Size: 50 mm

Symbol	Total length [mm]	Visible Length [mm]
DUW-T-R-700	738	700
DUW-T-R-33	838	800
DUW-T-R-39	938	900



Front View

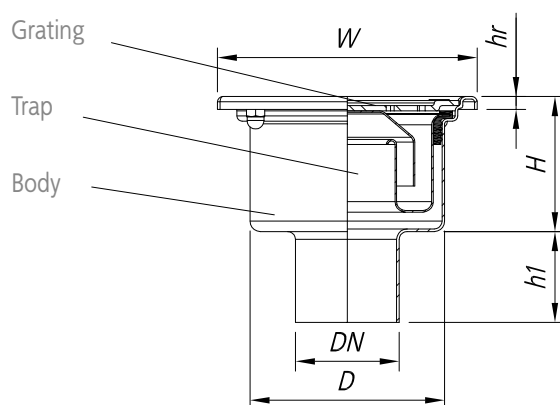


Top View



# BATHROOM DRAINS

## WL100/40 FLOOR DRAINS WITH VERTICAL OUTLET



Symbol		WL100/40V1
Catalogue number mat. 304		00.063040.02 - *
Dimensions [mm]	DN	40
	H	57
	H1	-
	h1	35
	D	77
	W	100x100
	hr	1,5

The number of a complete floor drain must be supplemented with the appropriate symbol and/or the grating catalogue no.



FIORE  
cat. no. 02.063040.01



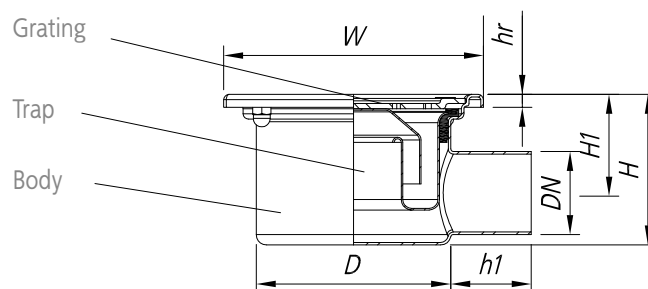
CERCHIO  
cat. no. 01.063040.01



GOCCIA  
cat. no. 03.063040.01

# BATHROOM DRAINS

## WL100/32 FLOOR DRAINS WITH HORIZONTAL OUTLET



Symbol		WL100/32H1
Catalogue number mat. 304		<b>00.064032.02-*</b>
Dimensions [mm]	DN	32
	H	58
	H1	42
	h1	30
	D	77
	W	100x100
	hr	1,5

The number of a complete floor drain must be supplemented with the appropriate symbol and/or the grating catalogue no.



FIORE  
cat. no. 02.063040.01



CERCHIO  
cat. no. 01.063040.01



GOCCIA  
cat. no. 03.063040.01

# SHOWER BASES

Bathroom shower bases are made of stainless steel with the AISI 304 symbol. They are produced using decorative sheet metal of 1.25 [mm] thickness.

Circle-shaped embossing gives the structure the required stiffness and at the same time provides anti-slippery protection. Drainage to the sewage system is carried out via bathroom outlets available on the market.

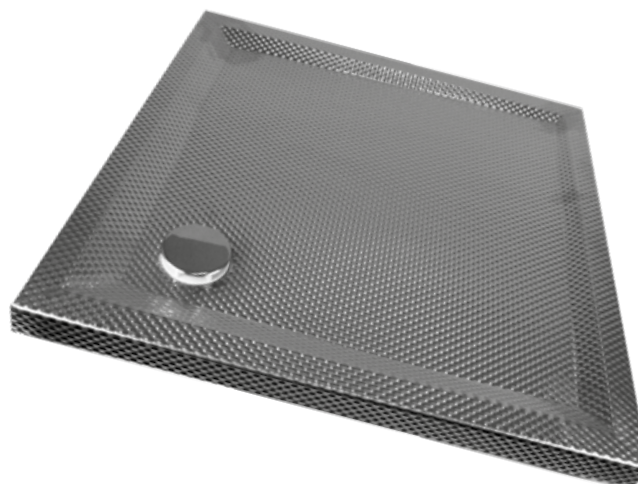
## APPLICATION

- any room for disabled persons in facilities such as health centres, hospitals, rehabilitation facilities, spas, etc.
- equipment for bathrooms in apartments, sport facilities, production facilities

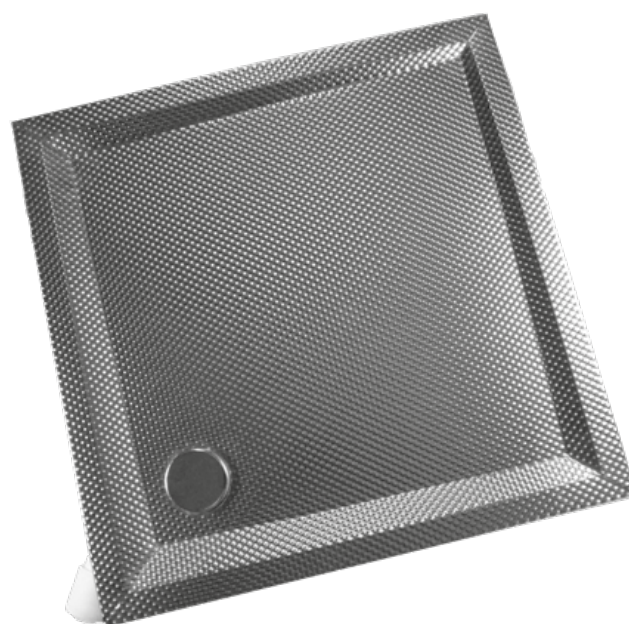
## ADVANTAGES

- easy cleaning
- strong disinfectants can be applied
- anti-bacterial features of stainless steel
- comfortable entrance to the shower cabin on a wheelchair without risk of damaging the structure or encountering any obstacles
- easy assembly
- aesthetically pleasing appearance

Catalogue number	dimensions [mm]	height [mm]
00.208008.07	800 x 800	40
00.209009.07	900 x 900	40



STAINLESS STEEL SHOWER BASE





# MANHOLE COVERS





# MANHOLE COVERS



Manhole covers are available in various options and sizes. They are widely used in industrial and public facilities, i.e. in shops, exhibition halls, restaurants, workshops, warehouses, parking lots, and other places where access to underfloor installations is required.

The basic filling of the manhole cover is concrete class C35/45 and a smooth or corrugated steel plate. Alternative filling is, for example, floor tiles, resin, paving stones.

Manhole covers are made of 2 or 3 [mm] thick stainless steel sheet of AISI 304 or AISI 316. This material allows applying products in places with strict hygienic requirements.

Manhole covers consist of upper and lower parts bolted

to ensure safe closure. The product reinforcement is made of "black steel" B500SP. An O-ring seal between the lower and upper parts is applied.

## ADVANTAGES OF MANHOLE COVERS

- easy access to underfloor technological installations
- isolation against odours
- waterproof
- simple opening system
- high durability
- aesthetically appealing



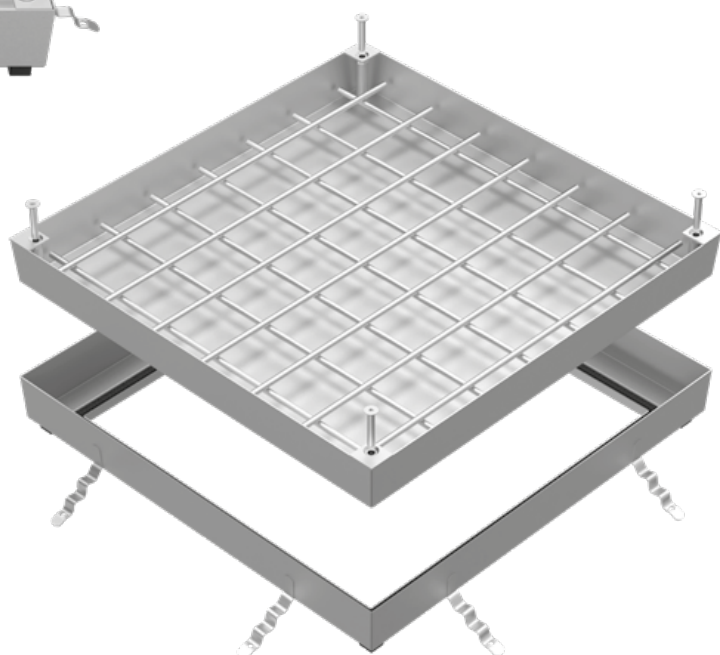
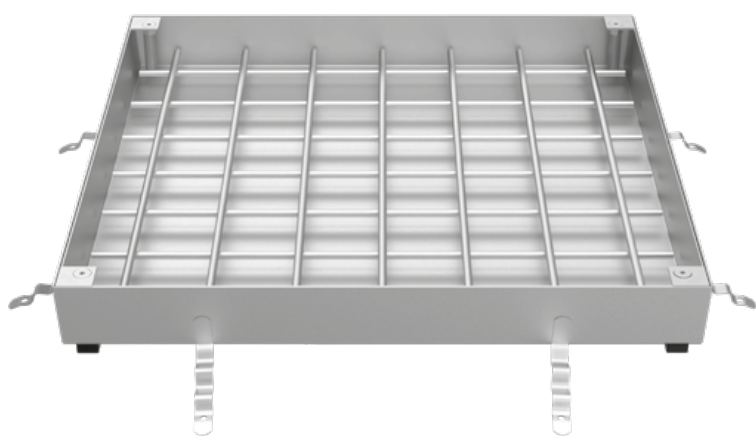
# MANHOLE COVERS

Type	Height [mm]	External CxD dimensions [mm]	Internal AxB dimensions [mm]
K3x3	50	430x430	300x300
K4x4	50	530x530	400x400
K4x6	50	530x730	400x600
K5x5	50	630x630	500x500
K5x7	50	630x830	500x700
K6x6	50	730x730	600x600
K6x8	50	630x930	600x800
K7x7	50	830x830	700x700
K8x8	50	930x930	800x800
K9x9	50	1030x1030	900x900
K10x10	50	1130x1130	1000x1000

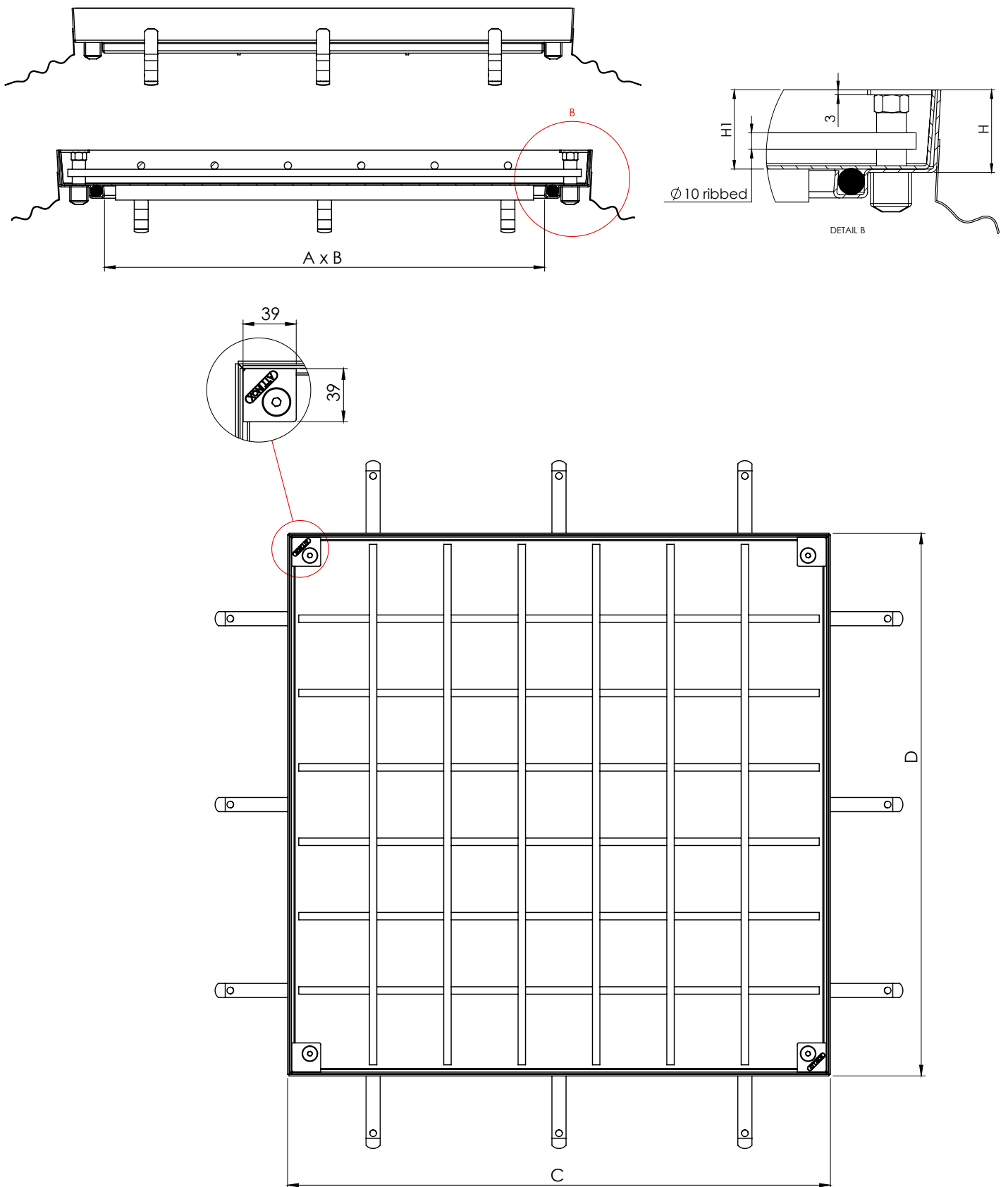
## A15 class manhole covers

Standard manhole covers are the basic solution to facilitate access to technological installations.

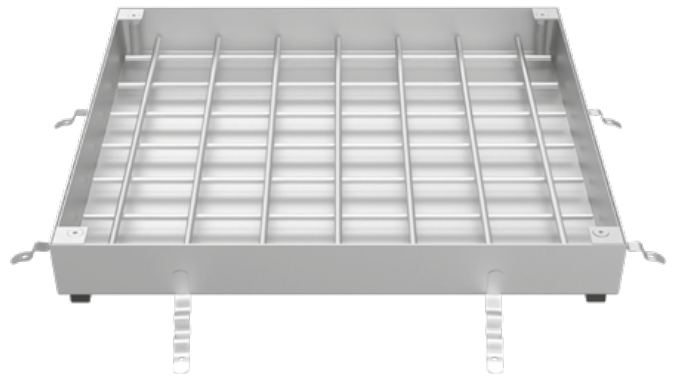
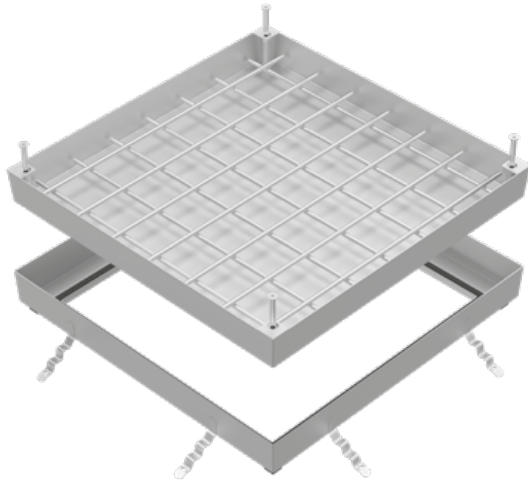
- easy access to underfloor installations
- insulation against odors
- waterproof,
- simple opening system
- high durability
- aesthetics



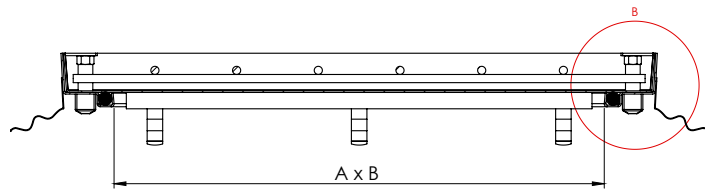
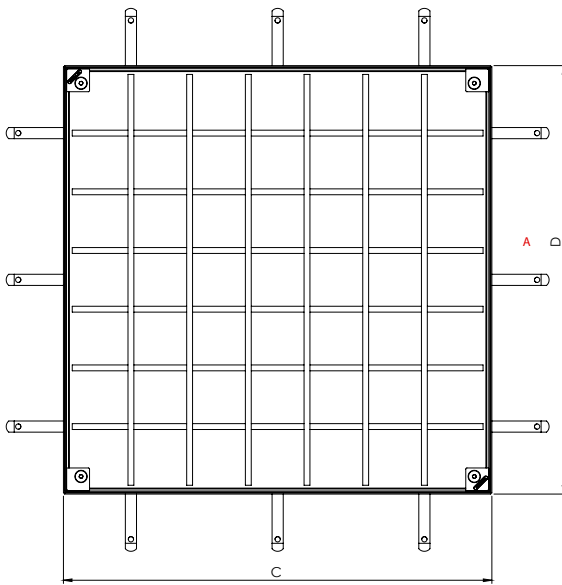
# MANHOLE COVERS



# MANHOLE COVERS



Dimensions of a gas-tight manhole cover



The set includes 2x handle

Option: checker plate

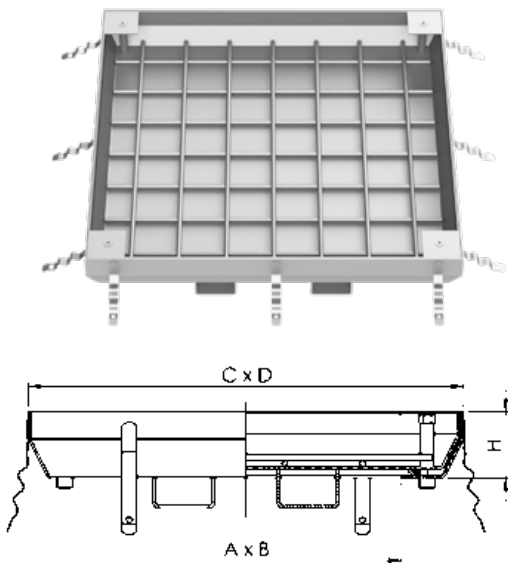


Option: manhole cover lifter

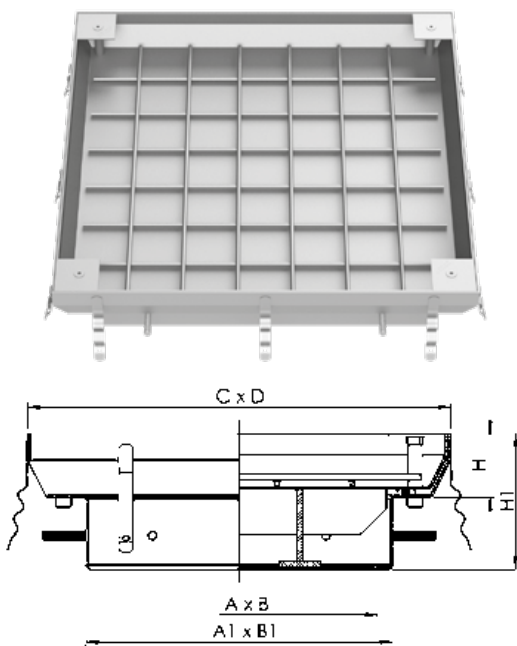


Class	Type	A x B [mm]	C x D [mm]	H [mm]
<b>B125</b>	K3x3	300x300	460x460	85
	K4x4	400x400	560x560	85
	K5x5	500x500	660x660	85
	K6x6	600x600	760x760	85
	K7x7	700x700	880x880	100
	K8x8	800x800	980x980	100
	K9x9	900x900	1080x1080	100
	K10x10	1000x1000	1180x1180	100

# MANHOLE COVERS



Class	Type	A x B [mm]	C x D [mm]	H [[mm]
C250	K3x3	300x300	460x460	85
	K4x4	400x400	560x560	85
	K5x5	500x500	660x660	85
	K6x6	600x600	760x760	85
	K7x7	700x700	880x880	100
	K8x8	800x800	980x980	100
	K9x9	900x900	1080x1080	100
	K10x10	1000x1000	1180x1180	100



Class	Type	A x B [mm]	A1 x B1 [mm]	C x D [mm]	H [mm]	H1 [mm]
D400	K3x3	300x300	340x340	494x494	85	180
	K4x4	400x400	440x440	594x594	85	180
	K5x5	500x500	540x540	694x694	85	180
	K6x6	600x600	640x640	794x794	85	180
	K7x7	700x700	740x740	914x914	100	195
	K8x8	800x800	840x840	1014x1014	100	195
	K9x9	900x900	940x940	1114x1114	100	195
	K10x10	1000x1000	1040x1040	1214x1214	100	195

Option: modular gas-tight manhole cover

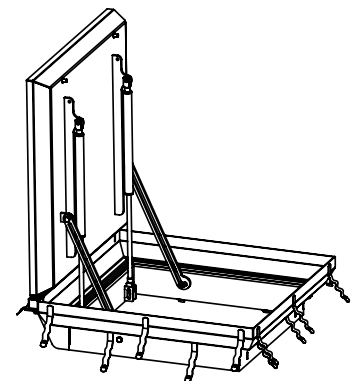
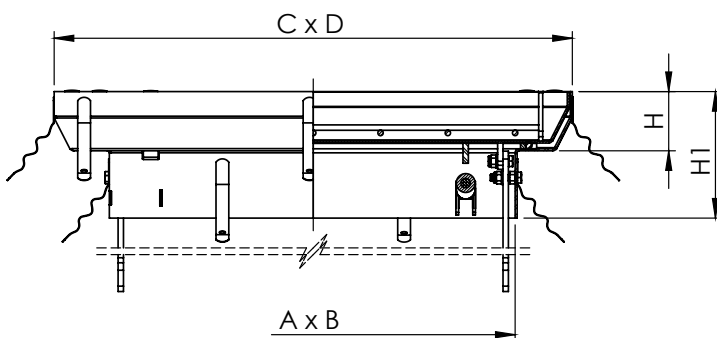


ATT offers production of customized manholes to meet individual design requirements.

# MANHOLE COVERS



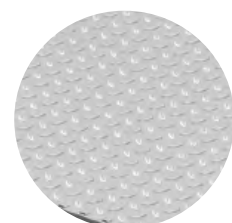
Dimensions of a gas-tight manhole cover with gas lifters



The set includes 2x handle



Option: checker plate

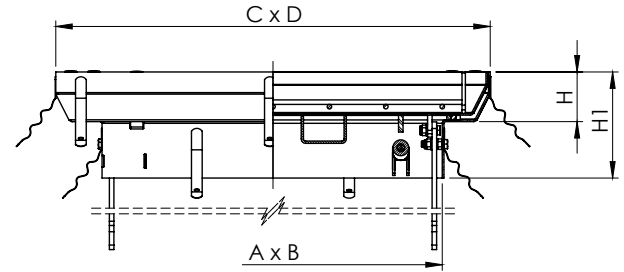


Class	Type	A x B [mm]	C x D [mm]	H [mm]	H1 [mm]
<b>B125</b>	K6x6	600x600	770x770	100	200
	K7x7	700x700	870x870	100	200
	K8x8	800x800	970x970	100	200
	K9x9	900x900	1070x1070	100	200
	K10x10	1000x1000	1170x1170	100	200

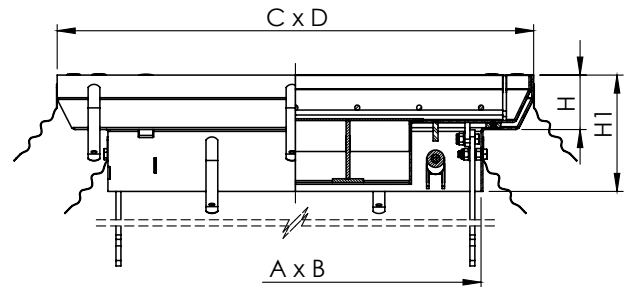


# MANHOLE COVERS

Class	Typ	A x B [mm]	C x D [mm]	H [mm]	H1 [mm]
C250	K6x6	600x600	770x770	100	200
	K7x7	700x700	870x870	100	200
	K8x8	800x800	970x970	100	200
	K9x9	900x900	1070x1070	100	200
	K10x10	1000x1000	1170x1170	100	200



Class	Typ	A x B [mm]	C x D [mm]	H [mm]	H1 [mm]
D400	K6x6	600x600	770x770	100	200
	K7x7	700x700	870x870	100	200
	K8x8	800x800	970x970	100	200
	K9x9	900x900	1070x1070	100	200
	K10x10	1000x1000	1170x1170	100	200

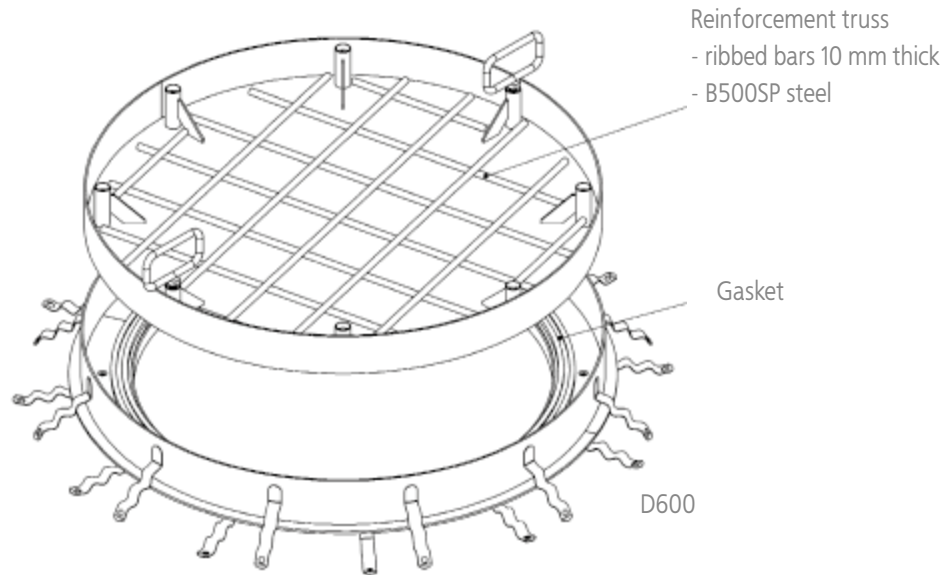


# ROUND MANHOLE COVERS

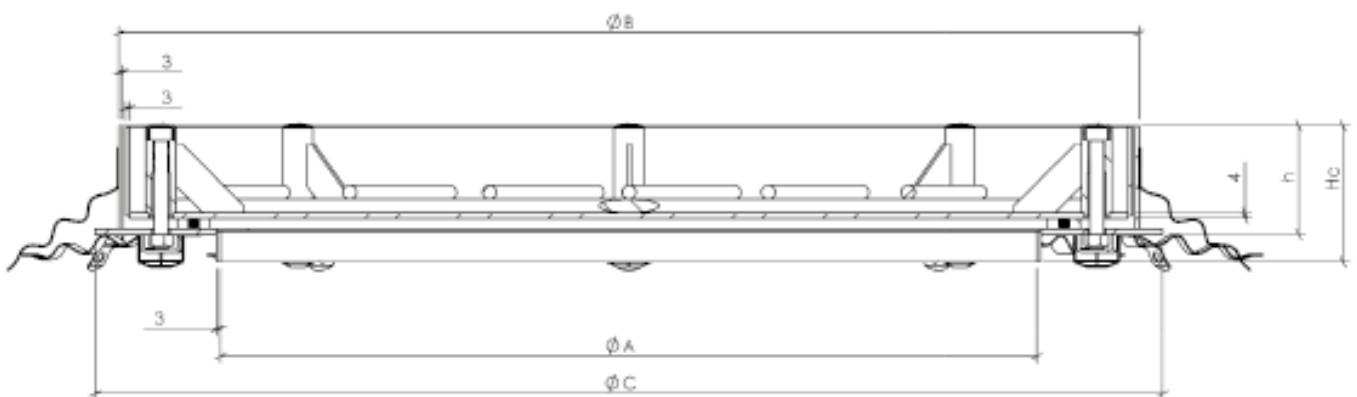
ATT's range of products is complemented by round manhole covers. They are manufactured in two versions: for filling or with a stainless checker plate. The engineering department adapts the dimensions and structures resulting from the expected load class as per individual specifications of the client.



# ROUND MANHOLE COVERS



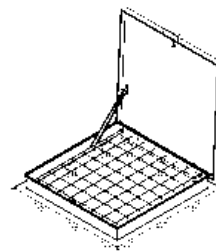
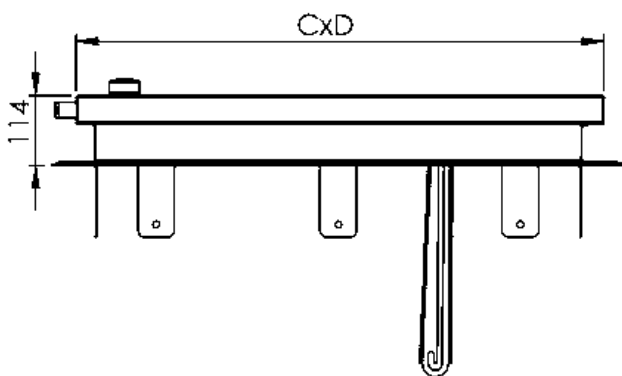
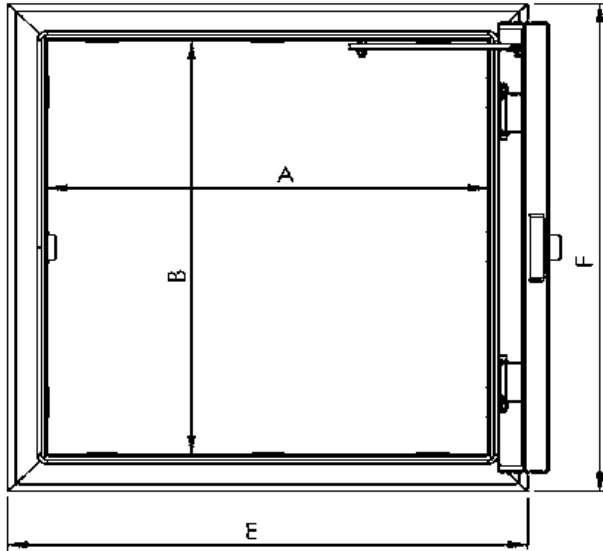
Type	Class A15		Class B125		Class C250		Class D400				
	A [mm]	B [mm]	C [mm]	h [mm]	Hc [mm]	h [mm]	Hc [mm]	h [mm]	Hc [mm]	h [mm]	Hc [mm]
<b>D600</b>	600	750	785	60	80	80	100	100	150	100	200
<b>D700</b>	700	850	885	60	80	80	100	100	150	100	200
<b>D800</b>	800	950	985	60	80	80	100	100	150	100	200
<b>D900</b>	900	1050	1085	60	80	80	100	100	150	100	200
<b>D1000</b>	1000	1150	1185	60	80	80	100	100	150	100	200



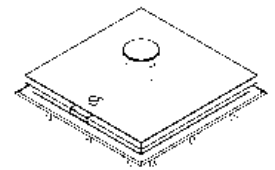
# ACCESS COVERS



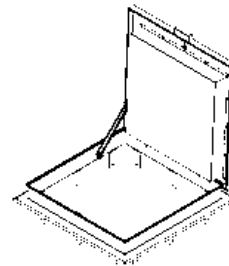
# ACCESS COVERS



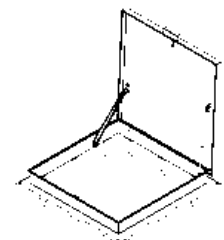
with protective grid



with a ventilation cup



with insulation

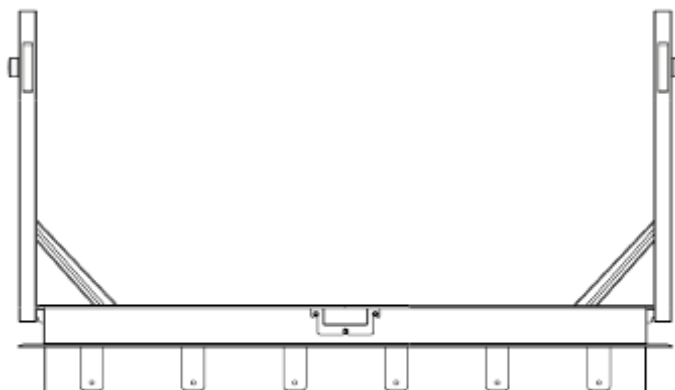
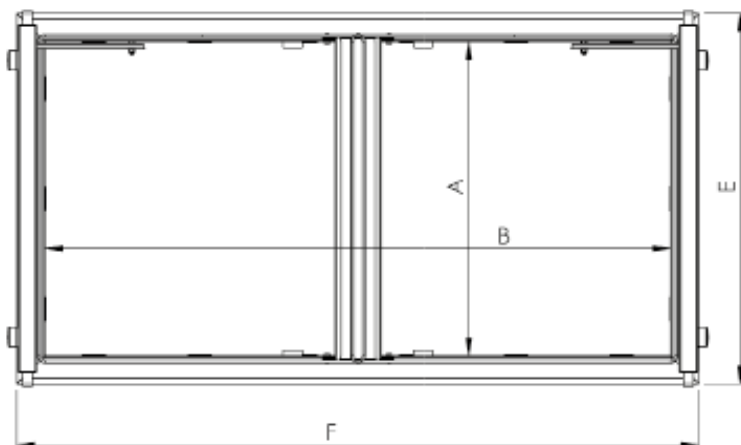
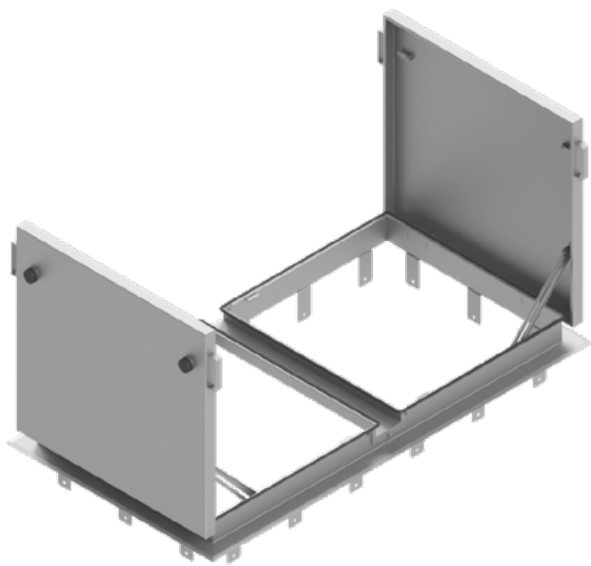
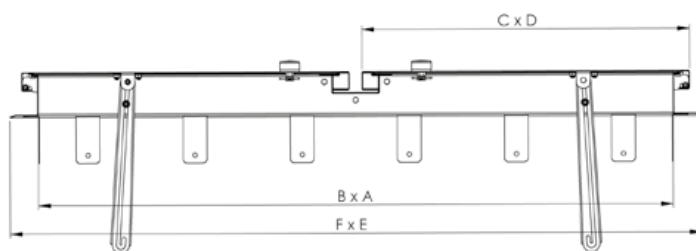


with gas lifters  
(the number of pieces depends of the size of access cover)

Type	A x B [mm]	C x D [mm]	E x F [mm]
WB-14x4	400 x 400	484 x 484	543 x 543
WB-15x5	500 x 500	584 x 584	643 x 643
WB-16x6	600 x 600	684 x 684	743 x 743
WB-17x7	700 x 700	784 x 784	843 x 843
WB-18x8	800 x 800	884 x 884	943 x 943
WB-19x9	900 x 900	984 x 984	1043 x 1043
WB-1 10x10	1000 x 1000	1084 x 1084	1143 x 1143

# ACCESS COVERS

## 2-part Access Covers

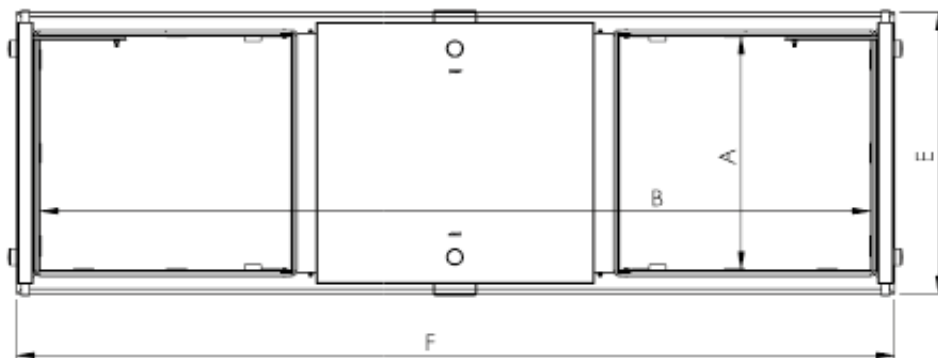
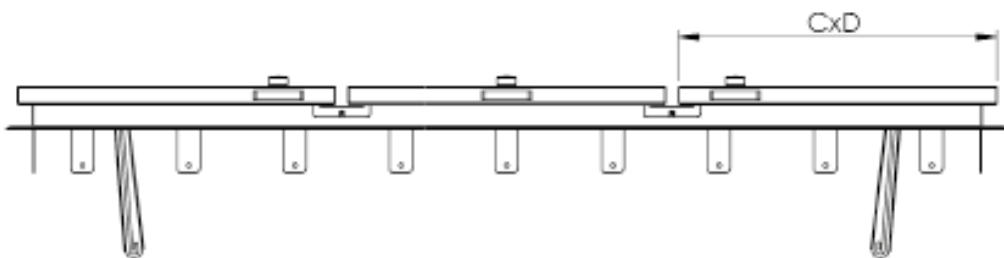
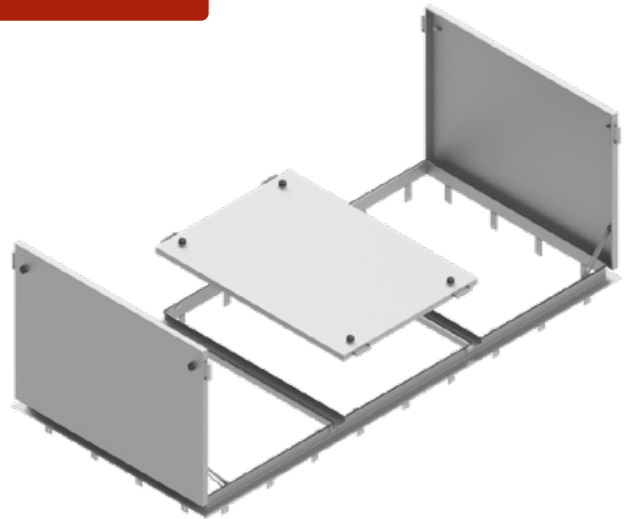


Type	A x B [mm]	C x D [mm]	E x F [mm]
WB-2 6x12	600 x 1200	626x684	743x1343
WB-2 8x16	800 x 1600	826x884	943x1743

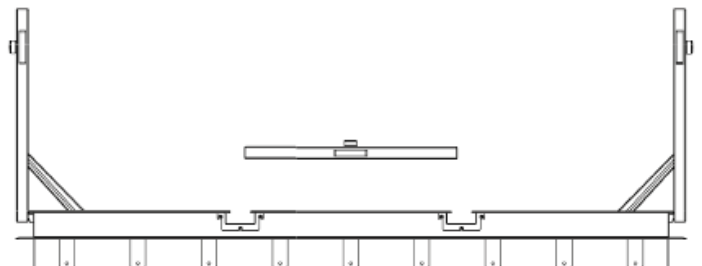


# ACCESS COVERS

## 3-part Access Covers



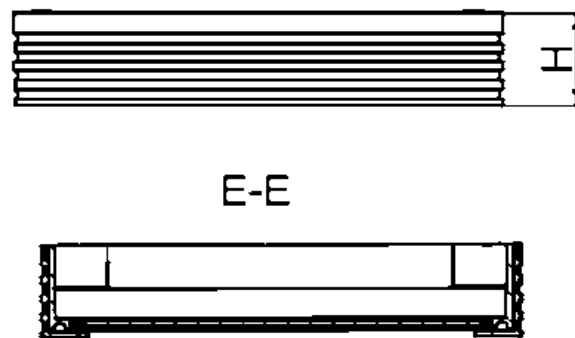
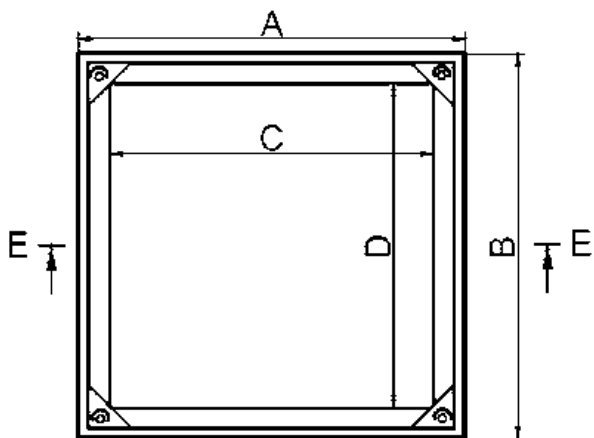
Type	A x B [mm]	C x D [mm]	E x F [mm]
WB-3 6x18	600 x 1800	505x684	743x1943
WB-3 8x24	800 x 2400	805x884	943x2543



# ALUMINIUM MANHOLE COVERS

Aluminium manhole covers are used in industrial and public facilities: in shops, exhibition halls, restaurants, workshops, and warehouses, wherever access to underfloor installations is required.

Floor tiles, terracotta or other materials can be used as finishing material of the upper part of a manhole cover. Products are available in various options and sizes. These elements provide a barrier against odours and liquids. Three series are available: KA-light, KA-heavy and KAextra heavy.



KA-Light series – manhole covers equipped with two seals: one in the bottom and T-seal \* in the frame. Four heights are available: 40 [mm], 60 [mm], 80 [mm], 100 [mm].

Serial Number	External dimension AxB [mm]	Internal dimension CxD [mm]	Height H [mm]	Load [Kn]
KA-40/60/80/100L- 3x3	300x300	240x240	40/60/80/100	40
KA-40/60/80/100L- 4x4	400x400	340x340	40/60/80/100	40
KA-40/60/80/100L- 5x5	500x500	440x440	40/60/80/100	40
KA-40/60/80/100L- 6x6	600x600	540x540	40/60/80/100	40
KA-40/60/80/100L- 7x7	700x700	640x640	40/60/80/100	20
KA-40/60/80/100L- 8x8	800x800	740x740	40/60/80/100	20
KA-40/60/80/100L- 9x9	900x900	840x840	40/60/80/100	20
KA-40/60/80/100L-10x10	1000x1000	940x940	40/60/80/100	20

# ALUMINIUM MANHOLE COVERS

KA-Heavy series – manhole covers equipped with three seals: two in the bottom and a T-seal \* in the frame. Four heights are available: 40 [mm], 60 [mm], 80 [mm], 100 [mm].

Serial Number	External dimension AxB [mm]	Internal dimension CxD [mm]	Height H [mm]	Load [Kn]
KA-40/60/80/100H- 3x3	300x300	210x210	40/60/80/100	60
KA-40/60/80/100H- 4x4	400x400	310x310	40/60/80/100	60
KA-40/60/80/100H- 5x5	500x500	410x410	40/60/80/100	60
KA-40/60/80/100H- 6x6	600x600	510x510	40/60/80/100	60
KA-40/60/80/100H- 7x7	700x700	610x610	40/60/80/100	40
KA-40/60/80/100H- 8x8	800x800	710x710	40/60/80/100	40
KA-40/60/80/100H- 9x9	900x900	810x810	40/60/80/100	40
KA-40/60/80/100H- 10x10	1000x1000	910x910	40/60/80/100	40

KA- Extra Heavy series – manhole covers equipped with a double system, including three seals: two in the bottom and a T-seal \* in the frame. Two heights are available: 80 [mm] and 100 [mm]. Load class: 125 Kn.

Serial Number	External dimension AxB [mm]	Internal dimension CxD [mm]	Height H [mm]	Load [Kn]
KA-80/100EH- 3x3	300x300	210x210	80/100	125
KA-80/100EH - 4x4	400x400	310x310	80/100	125
KA-80/100EH- 5x5	500x500	410x410	80/100	125
KA-80/100EH- 6x6	600x600	510x510	80/100	125
KA-80/100EH- 7x7	700x700	610x610	80/100	125
KA-80/100EH- 8x8	800x800	710x710	80/100	125
KA-80/100EH- 9x9	900x900	810x810	80/100	125
KA-80/100EH-10x10	1000x1000	910x910	80/100	125

To provide appropriate efficiency of manhole covers, please follow the guidelines below during the installation process:

1. During installation, the upper part and the lower part of the manhole cover must be closed.
2. In order to avoid deformation of the frame, which would cause problems during further use of the manhole cover, place spacers between the edges of the upper and lower parts.
3. It is necessary to correctly level and set the manhole

cover in the previously prepared well.

4. The manhole cover must be stabilised using concrete of malleable consistency.
5. The upper part of the manhole cover, including the reinforcement, must be filled with concrete of B30 class or higher, depending on the product's dimensions and the load class.
6. Concrete is poured up to the height that allows for later installation of the floor.

# MEDIA BOXES

Media boxes are used wherever it is necessary to access the telephone lines and electrical sockets in a floor. They may be used in public facilities, markets, industrial halls, warehouses, as well as wherever commercial stands are periodically opened or it is necessary to connect a specific device.

Boxes are made of EN 1.4301 (AISI304), EN 1.4404 (AISI316L) stainless steel. The box is equipped with a sandblasted lid with a hinged lid and a gasket to guarantee tightness. It ensures easy access to the interior of the box without the necessity to remove the cover. The lid closing system secures the box against unauthorised opening.



SK1



SK2

ATT offers SK1 single-chamber, SK2 double-chamber boxes, as well as multi-chamber boxes upon a client's individual request.

type	catalogue number	outside dimension A x B [mm]	inside dimension C x D [mm]	height H [mm]
SK-1	00.090001.04	168x300	114x242	70
SK-2	00.090002.04	300x300	242x242	70

# PROTECTIVE ELEMENTS





# BOLLARDS AND BARRIERS



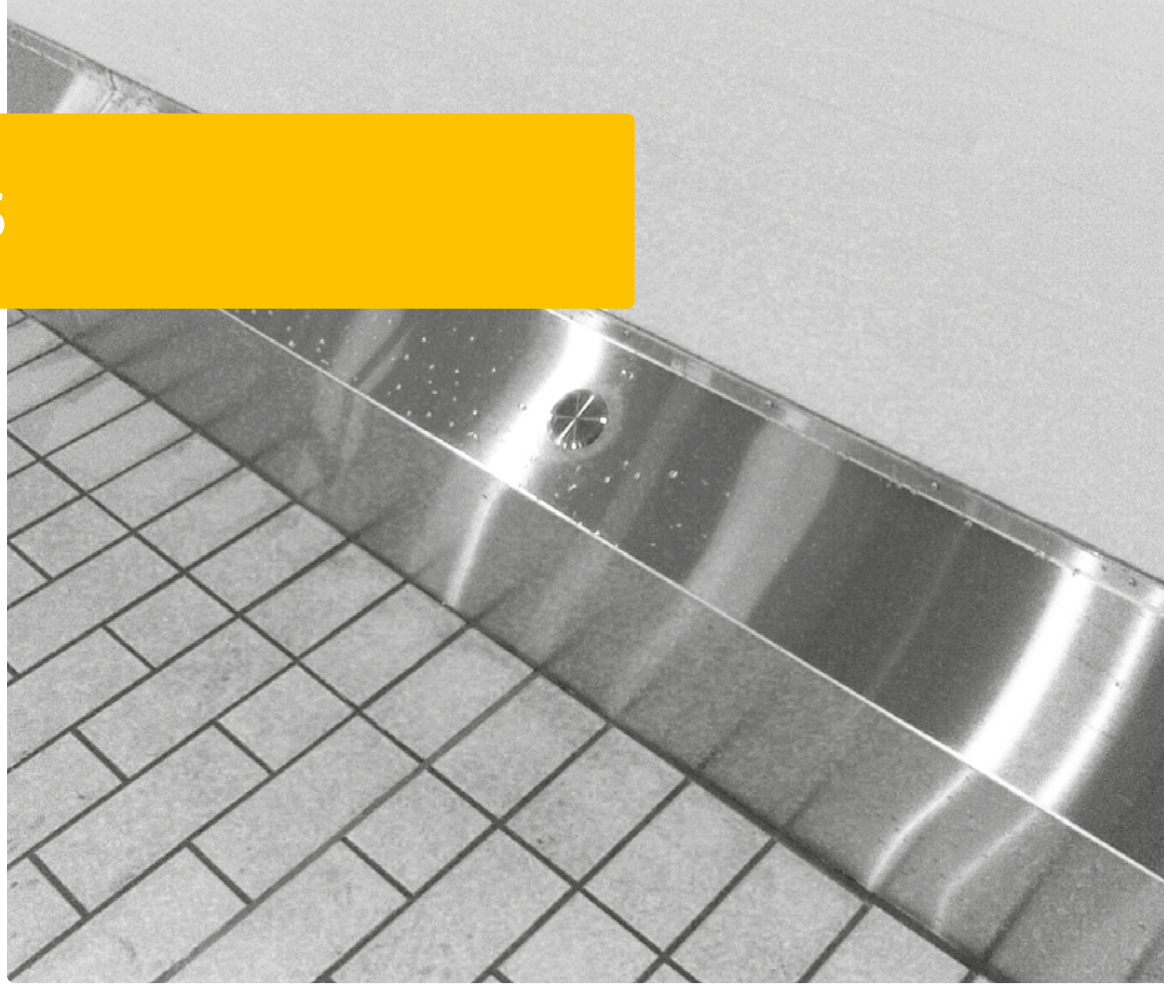
Protective elements are used e.g. in food industry plants (breweries, dairies, abattoirs), in catering facilities, and hospitals. The shape, diameter of pipes, height of buffers and mechanical resistance parameters are designed in accordance with the individual expectations of a client.

By standard, 1.5 to 3 [mm] thick pipes are used. We offer surfaces with brushed, sanded or shot-blasted finish. There are 2 types of buffer installation: 1) in holes in the floor which are filled with concrete; 2) by expansion anchors, that attach the flange of the buffer to the floor.

The complete unit constitutes a durable and hygienic element that provides protection for walls, sliding doors and other objects, and enables effective cleaning of the protected area. The advantages of these products are durability, corrosion-free, hygienic, which is maintained even during mechanical damage.



# KERBS



## STAINLESS STEEL KERBS

Food production, chemical, and pharmaceutical plants require adherence to particularly strict hygiene requirements. These include covering contact places between a floor and a wall, as well as walls and a ceiling, where dirt and moisture may accumulate, thus creating conditions contributing to the growth of bacteria.

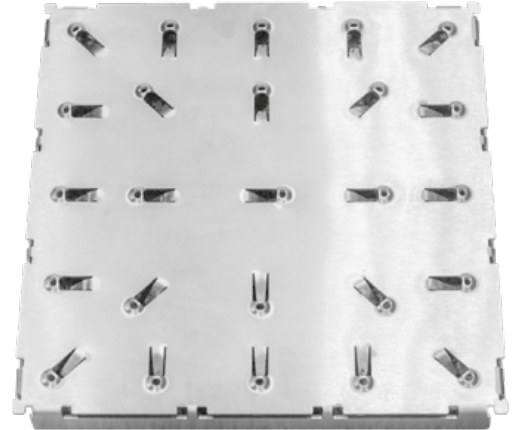
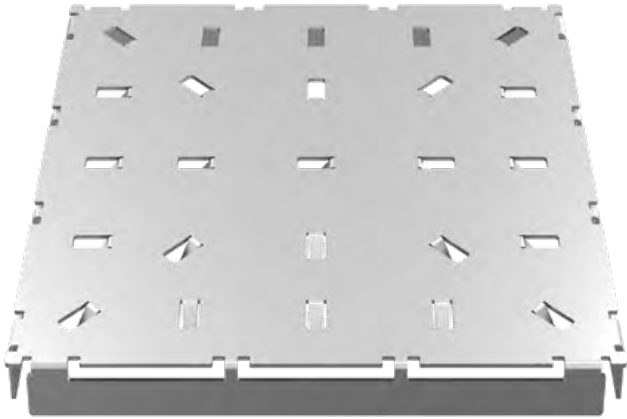
Stainless steel kerbs are an excellent and functional solution to avoid the problem of bacterial contamination and dirt accumulation. The product is designed to fit to wall panels as well as concrete structures to effectively protect these surfaces. ATT's product line of kerbs is supplemented by finishing elements such as internal and external corners. At the connection between kerbs and the floor, appropriate sealing substances, resistant to strong disinfecting agents and high temperatures, are used.

The product range includes both kerbs that tightly adhere to the panels, and those filled with concrete, and then closed with special covers.





# STAINLESS BUFFERING TILES



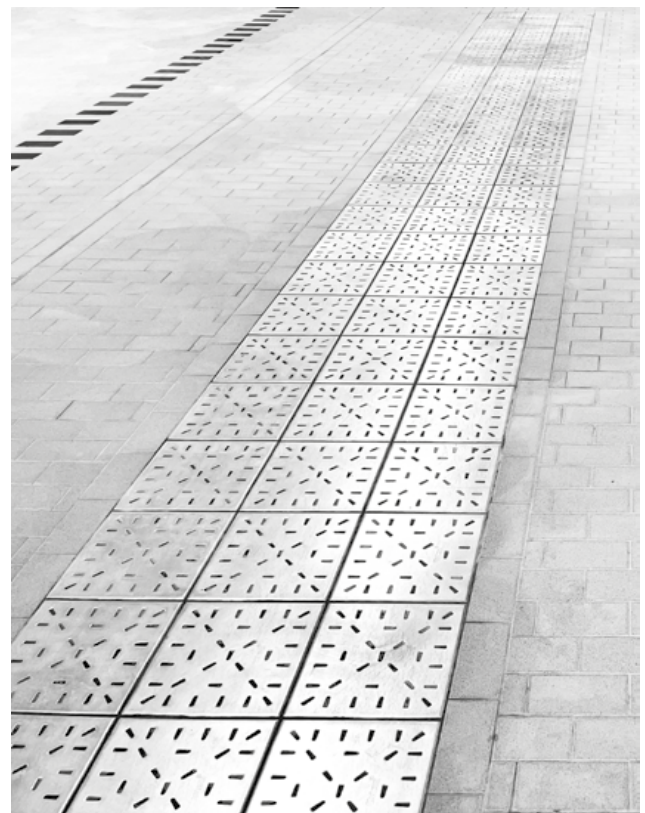
Stainless buffering tiles offered by ATT are made of 2 and 3 mm thick sheet metal. They feature high degree of resistance to devastation and damage, and withstand virtually every load occurring in industry and transport.

## APPLICATION

- heavy industry plants,
- food industry plants,
- production halls,
- warehouses, stacking yards,
- printing houses,
- unloading ramps,
- foundries, ironworks.

## ADVANTAGES

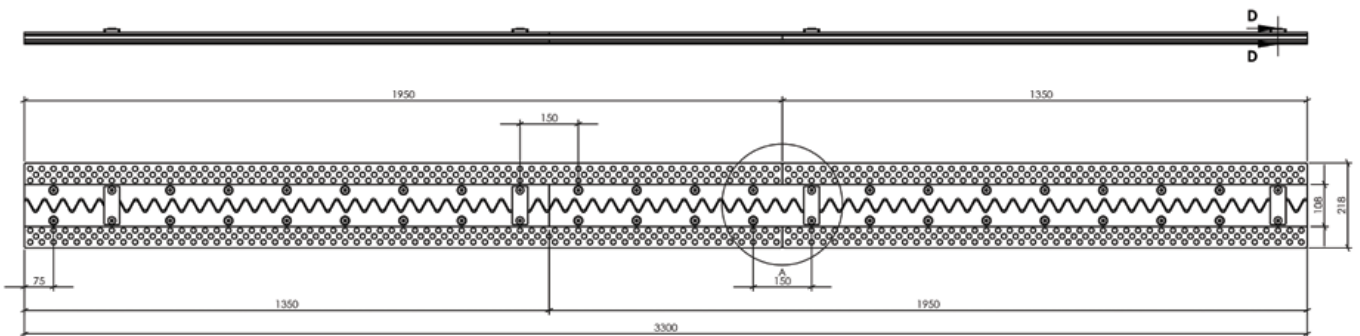
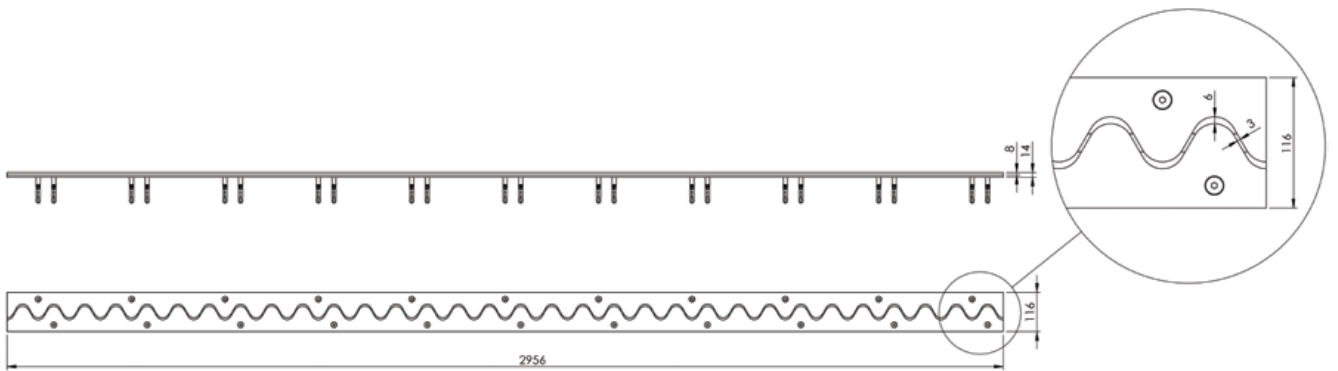
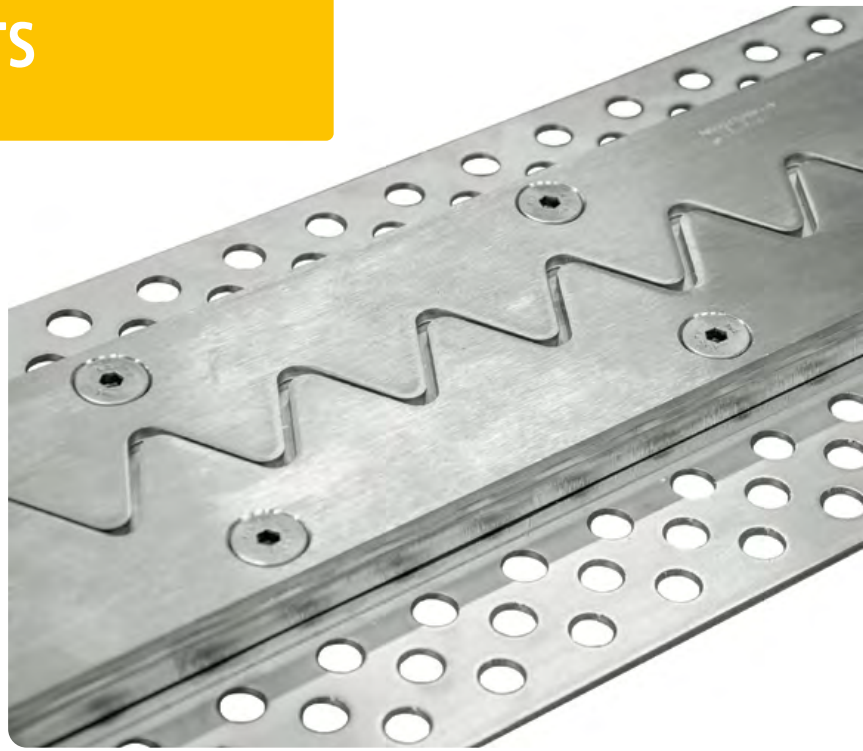
- resistance to high load classes,
- durability,
- safety,
- renovation of the floor is not required,
- technical support during the entire process of implementation of an order,
- installation service.



# EXPANSION JOINTS

## EXPANTION JOINTS

In order to prevent cracks in floors made over larger surfaces, expansion joint cuts are applied during floor application. It protects gaps against accumulation of any kind of contamination, as well as against floor cracks.





# PLATFORMS AND STRUCTURES





# PLATFORMS AND STRUCTURES



Technological platforms are elements of engineering structures that ensure safe access to a given industrial zone. Platforms are applied to eliminate hazards and ensure the safety of employees working at heights. Due to the customized shape of each platform, these constructions allow employees easy and safe access to specific working areas.

All platform structures are designed and manufactured in accordance with the following standards:

Machinery - Safety - Permanent means of access to machinery - Part 1: Selection of permanent means of access between two levels

EN ISO 14122-1:2016-08 - English version

Safety of machinery - Safety - Permanent means of access to machinery - Part 2: Working platforms and walkways

EN ISO 14122-2:2016-08 - English version

2 Machinery - Safety - Permanent means of access to machinery - Part 3: Stairs, ladder stairs and guardrails  
EN ISO 14122-3:2016-08 - English version

3 Safety of machinery - Permanent means of access to machinery - Part 4: Fixed ladders.

EN ISO 14122-4:2016-08 - English version

4. EN 1090-1:2012 Part 1: Principles for conformity assessment of structural components\*.

5. EN 1090-2:2012 Part 2: Technical requirements for steel structures\*.

6. EN 1090-3 2012 Part 3: Technical requirements for aluminum structures\*.

\*Regulation 305/2011 of the European Parliament and the Council (CPR) obliges manufacturers of steel structures to issue a Declaration of Use and to mark the product with the CE mark, and thus to implement in their organization the system of Factory Production Control according to PN-EN 1090.

# PLATFORMS AND STRUCTURES



Prefabrication and installation of:

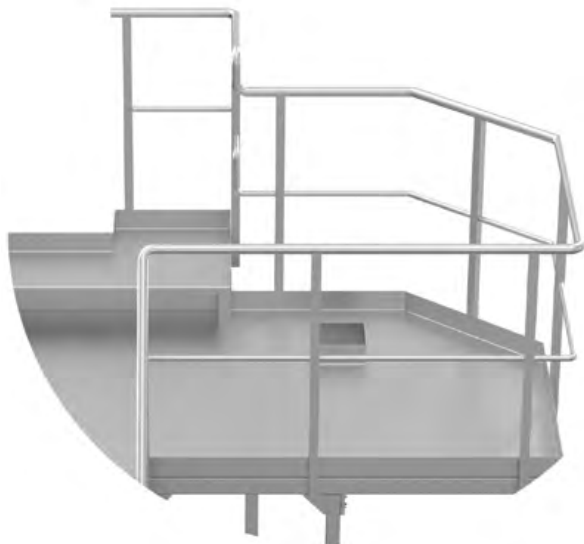
- technological platforms and production lines,
- technological platforms supporting technical walkways that allow for operation of machines and devices,
- walkways connecting technical objects,
- platforms and industrial stairs,
- railings.



# RAILINGS AND HANDRAILS



Elements made of stainless steel may be applied both outside and inside buildings. Due to the high hygienic parameters of the material and the finishing technology, constructions may be installed in e.g. food processing plants or the pharmaceutical industry. Their aesthetic appearance (satin or gloss finish) makes stainless steel railings popular as an architectonic element of buildings.







## PLATFORM & CONSTRUCTION

Solutions manufactured by ATT are widely used as elements of platforms, landings, internal and external staircases, footbridges, for protection of manhole covers, access ramps for the disabled, on communication routes near pipelines and tanks, etc.



# PLATFORM & CONSTRUCTION

Stainless steel structures are used in all construction projects, regardless of the industry, improving safety and comfort, as well as fitting into the architecture of the premises and surroundings.

Our products meet high strength standards, they are resistant to unfavorable environmental factors, and guarantee structural stability and work safety.

## PLATFORMS AND CONSTRUCTION – HYGIENIC ASPECTS

For all constructions supplied to food processing plants the key issue is hygienic design of the components. As an active member of the EHEDG (European Hygienic Engineering & Design Group.), we pay great attention to ensure that the design solutions used for platforms are at the highest possible level of hygiene.

If we are designing platforms and process passages for food processing plants, for rooms where food is produced, the platforms should be designed from chemically inert material (not penetrating into the food) and resistant to chemicals, used in the washing process in plants. Such a material is stainless steel of grade 1.4301 or 1.4404.

In technology projects, the key is to design the platform according to the client's expectations while meeting hygienic requirements.



# PLATFORM GRATINGS AND STEPS



## WELDING

One of the most important processes in the production of platforms is welding. Welding design in accordance with hygienic guidelines should avoid placing welds in places where dirt can accumulate and thus multiply bacteria. Another important element in hygienic welded construction is the quality of the weld finish.

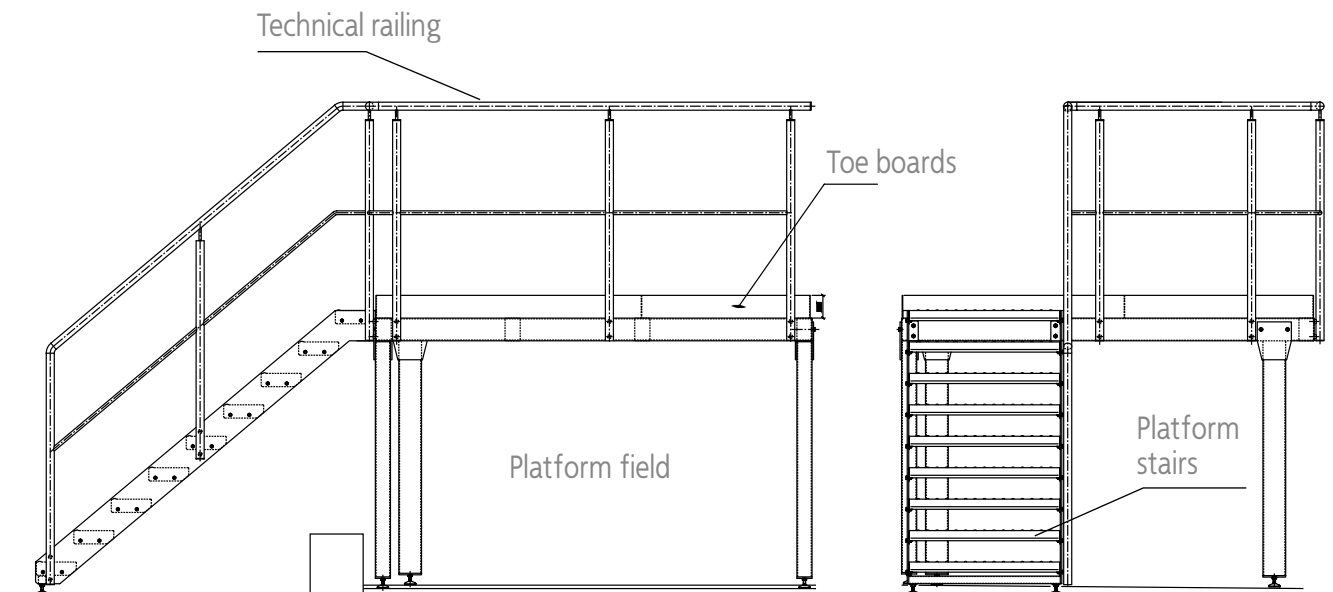
The best results come from the 141 (TiG) method, which is guaranteed to produce welds in a high class of cleanliness. All welds should be etched. Another welding method is method 135 (MIG/MAG).

This is a faster method, however, joints made using this method are of lower quality and should not be used in structures in direct contact with food. If technological conditions do not allow the use of TiG method, MAG weld should be properly processed to increase its hygienic qualities.

## SMART INCREASE OF EFFICIENCY – FINITE ELEMENT ANALYSIS – ADVANTAGES

A very important element of any engineering structure (for example platforms or technical walkways) is a static calculation, which assures the end user of the load-bearing capacity of the construction. Each structure supplied to the F&B should be accompanied by a static design documentation. Ideally, the static calculation is to be carried out already at the basic design stage. However, the task is time-consuming and creates a burden on the client's wallet. Estimates also brings the risk of under or overestimating of structural assumptions. Finite Element Analysis – due to very accurate algorithms applied is a great support to structural design and construction engineers. Using the method at the very early stage of design process, we can analyse the mechanical features of a structure and optimise the product in terms of engineering requirements. Savings of up to 30 % in relation to the original input data can be achieved by optimising designs with the help of FEA.

# PLATFORM GRATINGS AND STEPS

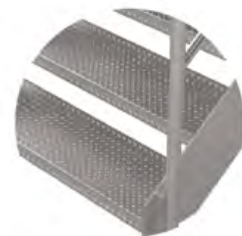


Walking surface is another hygienically important aspect of the platform construction. The most often used solutions are listed below sorted from the highest to the lowest hygienic value:

- checker plate – easy to clean, good anti-slip features;
- upturned steel perforation (USP) platform – easy to clean, very good anti-slip features;
- mash-grating – poor hygienic quality, very good anti-slip features.

The checker plate and the USP type of platforms are considered as hygienic application in food production areas. We find USP design as the most optimal solution with optimal combination of hygienic and safety requirements. Mash grating platforms are the least hygienic and should be avoided in F&B production zones.

All measures that optimize the design and propose hygienic solutions in the project bring invaluable benefits to the end customer. Through optimization we reduce production costs, improve user safety. On the other hand, by introducing hygienic design solutions we significantly reduce the cost of cleaning (washing) and improve the safety of food production.





# FOOD INDUSTRY FACILITIES EQUIPMENT





# TRANSPORT TROLLEYS

We offer a wide selection of transport trolleys intended for food industry facilities: transport trolleys, "Z" and "H" type smoking trolleys, stuffing trolleys, smoked meat cooling tanks, ice defrosting trolleys, meat tubs,

meat wheelbarrows, transport counters, gastronomic counters and others.

Below, we present only selected products, for more information visit [www.att.eu](http://www.att.eu).

## EURO CONTAINERS TRANSPORT TROLLEYS

Catalogue number	Description	Dimensions [mm]
00.640004.01	wheel type – plastic	410 x 655

The product offer also includes: transport trolleys with a handle, trolleys for transport trolleys, and handles for transport trolleys.



## STUFFING TROLLEYS

Catalogue number	Description	Dimensions [mm]
00.650012.01	capacity 120 l	580x580x595
00.650020.01	capacity 200 l	680x730x700
00.650030.01	capacity 300 l	680x730x950
00.650020.02	capacity 200 l with perforation	680x730x700

Trolleys of the following capacities: 120l, 200l and 300l. Option: polished finish.



## "H" TYPE SMOKING TROLLEYS

Catalogue number	Options	Dimensions [mm]
00.647010.01	6 shelves, for a stick of 1000 [mm] length	1021 x 985 x 1970
00.647010.02	6 shelves, for a stick of 1000 [mm] length and trays 920 x 948 [mm]	1021 x 985 x 1970

Smoking trolleys of "Z" and "H" types are available in two versions: for trays or for sticks. The range includes sticks of the "star" type.



# HYGIENE ELEMENTS

## WASHBASIN DRAINPIPE

Catalogue number	number of stations	Dimensions [mm]
00.606013.01	2	1300 x 500 x 710
00.606019.01	3	1900 x 500 x 710
00.606025.01	4	2500 x 500 x 710

Moreover, we recommend soap, disinfecting agents and paper towel dispensers, as well as bins for used towels, for our multi-station washbasins.



## MANUAL WASHERS FOR SHOES

Catalogue number	Dimensions [mm]
00.690004.01	400 x 510 x 420

We offer a wide variety of manual and mechanical washers for shoes and soles, equipped with triggering and deactivating sensors, with height adjustment capabilities, etc., depending on individual needs.



# FURNITURE

Furniture is made of stainless steel and meets the strictest sanitary requirements, making it an optimal solution in facilities in the food, chemical, pharmaceutical, gastronomic and other industries.

The basic product range is as follows:

- work tables (butchering, auxiliary, packing, with a rim and a drain, with drawers),
- table and cabinet units (with tilting door, with drawers),
- cabinets (standard, for storage of materials)
- tables (stationary, mobile)

The expanded product range includes e.g.:

- pallets,
- box pallets,
- transport counters,
- meat tubs,
- containers,
- custom elements upon special request or according to the individual design of a client.

We offer professional consulting in order to select the optimal solution. There is also the possibility to modify customize products (dimensions, finishing or structural reinforcement).

## STANDARD CABINETS

Catalogue number	width [mm]	depth [mm]	height [mm]
00.300018.03	800	600	1800
00.300021.03	800	600	2100
00.301018.03	1000	600	1800
00.301021.03	1000	600	2100



# FURNITURE

## BUTCHERING TABLES

Catalogue number	width [mm]	depth [mm]	height [mm]
00.310006.03	600	500	850
00.310007.03	700	600	850
00.310008.03	800	600	850
00.310009.03	900	600	850



## TABLES WITH SINKS

Catalogue number	width [mm]	depth [mm]	height [mm]
00.315014.03	1400	700	850
00.315016.03	1600	700	850
00.315018.03	1800	700	850
00.315020.03	2000	700	850
00.315022.03	2200	700	850



## TABLE AND CABINET UNITS WITH TILTING DOORS

Catalogue number	width [mm]	depth [mm]	height [mm]
00.320012.03	1200	700	850
00.320014.03	1400	700	850
00.320016.03	1600	700	850
00.320018.03	1800	700	850
00.320020.03	2000	700	850



## TABLE AND CABINET UNITS (WITH DRAWERS)

Catalogue number	width [mm]	depth [mm]	height [mm]
00.325012.03	1200	600	850
00.325016.03	1600	600	850
00.325020.03	2000	600	850
00.326012.03	1200	700	850
00.326016.03	1600	700	850
00.326020.03	2000	700	850



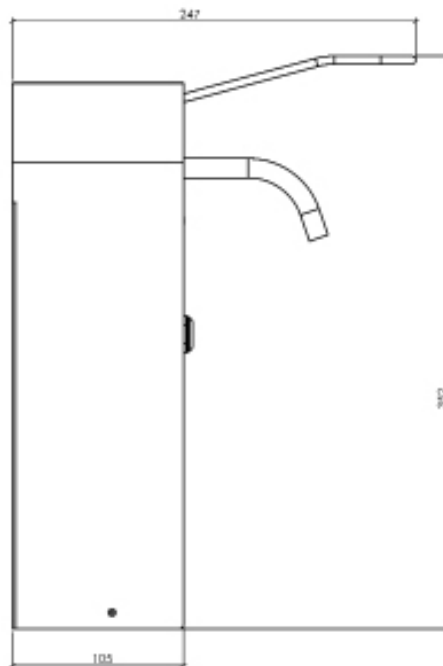
NOTE! The dimensions in the above tables can be modified for custom orders.



# HYGIENE

## DISPENSER

The dispenser made of AISI 304 stainless steel meets the health and safety standards. Universal design allows usage in most hygienically demanding work environment. The dispenser can be adapted to surfaces such as: tables, shelves, cabinets or it may be combined with other products, such as: dispensers for paper tissues, disposable gloves and head cover nets.



## SPECIFICATION

- Dispenser and pillar made with stainless steel AISI 304 (1.4301)
- Sheet thickness: 2 mm
- Plastic pump
- Heavy foot plate thickness: 4 mm
- Brushed surface
- 1 L container









Please note that ATT is continuously developing its portfolio of products in order to implement technology upgrades and meet legal requirements. The company thus reserves the right to modify products at any time, without changing their general characteristics.

ATT Sp. z o. o.  
16C Albatrosów St.  
30-716 Kraków, Poland  
tel: +48 12 290 29 30  
fax: +48 12 290 29 31  
e-mail: att@att.eu  
www.attinox.com



## **ATT Sp. z o. o.**

16C Albatrosów St.  
30-716 Kraków, Poland  
tel: +48 12 290 29 30  
fax: +48 12 290 29 31  
e-mail: [att@att.eu](mailto:att@att.eu)  
[www.attinox.com](http://www.attinox.com)  
[www.bim.att.eu](http://www.bim.att.eu)

  
**ATT INOX DRAIN**  
Stainless Steel Engineering