



## **Modern and comfortable** bathroom drainage systems

- SPA channels
- Bathroom Floor Drains
- Shower Bases



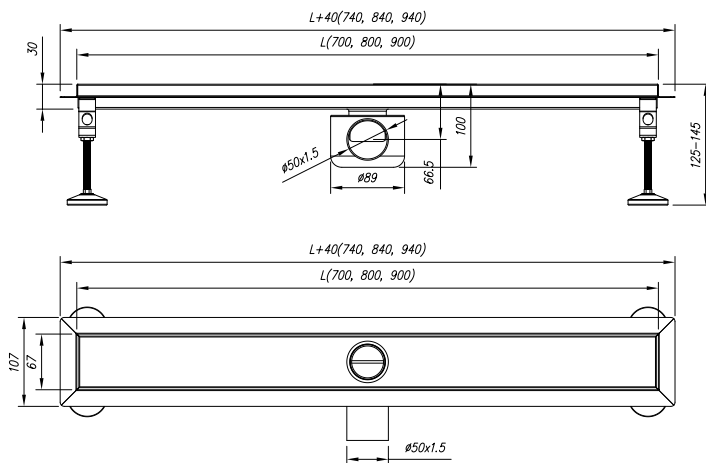
A modern bathroom shower area featuring a glass enclosure. The shower is set against a wall of light-colored tiles. A decorative cylindrical object with a white and black floral pattern is mounted on the wall. The shower floor is made of light-colored wood-look planks. The glass enclosure has a stainless steel frame and a drain grate. The background shows a view of a city at night through a window.

## Bathroom drainage systems

They are excellent alternative for traditional shower basins. This solution enables users to gain extra space in the bathroom. Due to the wide range of dimensions, our products can be applied in the most inaccessible locations. Stainless steel material and precise finishing guarantee highly esthetic, attractive design and comfort combined with easy maintenance and long term durability.

# Channel with flange

Bathroom channels



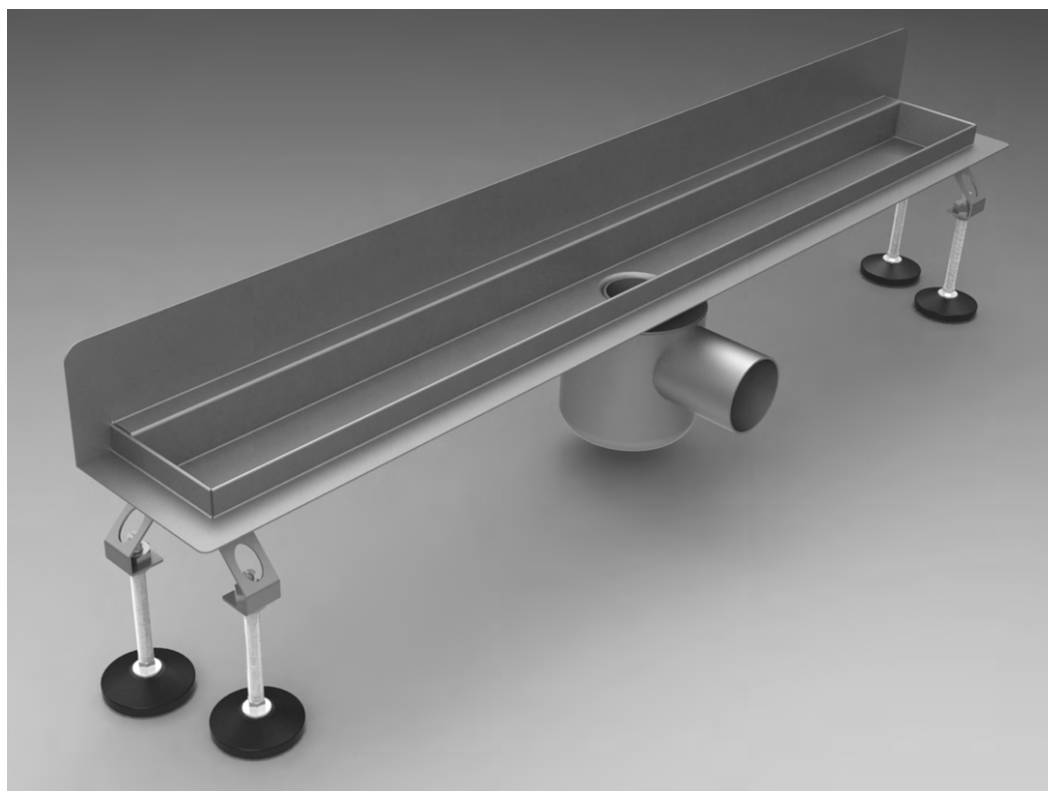
Lenght L [mm]	Catalog No.
700	00.067007.02
800	00.067008.02
900	00.067009.02
1000 *	00.067010.02
1200 *	00.067012.02

\*On request

Name	Lenght L [mm]	Catalog No.	Finishing
GOCCIA	700, 800, 900 1000, 1200	02.067007.03	BRUSHED
VIPERA		03.067007.03	BRUSHED
QUADRO		05.067007.03	BRUSHED
PIETRA		06.067007.03	BRUSHED
FAGIOLI		04.067007.03	BRUSHED
PIAZZA		01.067007.03	BRUSHED

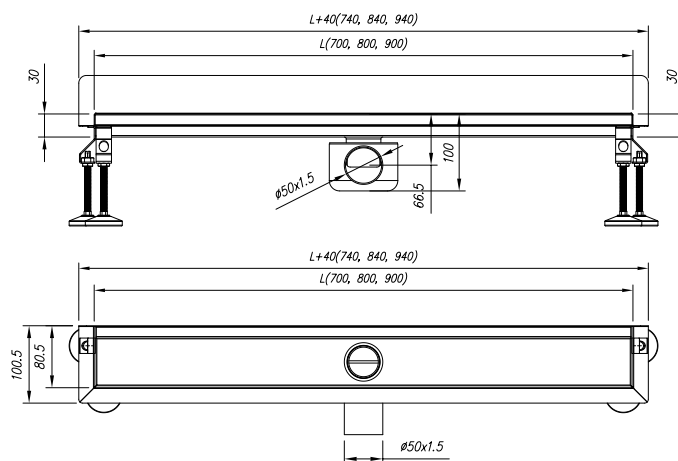
# Channel with raised back edge

Bathroom channels



Lenght L [mm]	Catalog No.
700	00.080007.02
800	00.080008.02
900	00.080009.02
1000 *	00.080010.02
1200 *	00.080012.02

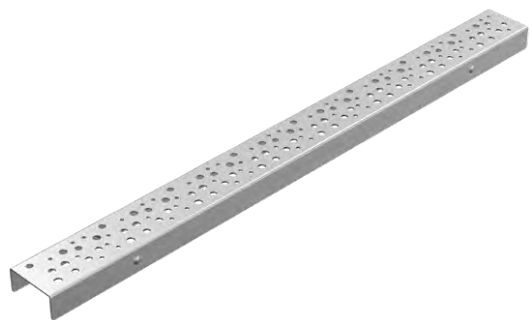
\*On request



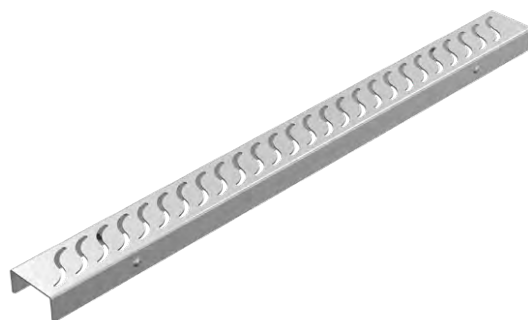
Name	Lenght L [mm]	Catalog No.	Finishing
GOCCIA	In stock: 700, 800, 900 On request: 1000, 1200	02.067007.03	brushed
VIPERA		03.067007.03	brushed
QUADRO		05.067007.03	brushed
PIETRA		06.067007.03	brushed
FAGIOLI	On request: 700, 800, 900, 1000, 1200	04.067007.03	brushed
PIAZZA		01.067007.03	brushed

# Gratings Design

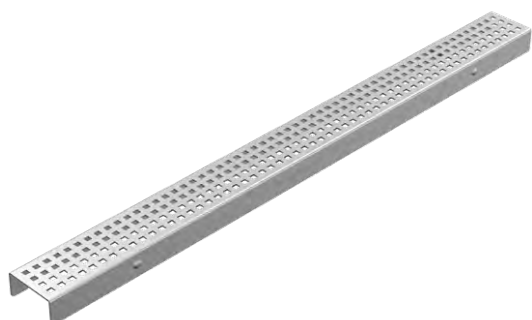
Available for bathroom channels



GOCCIA



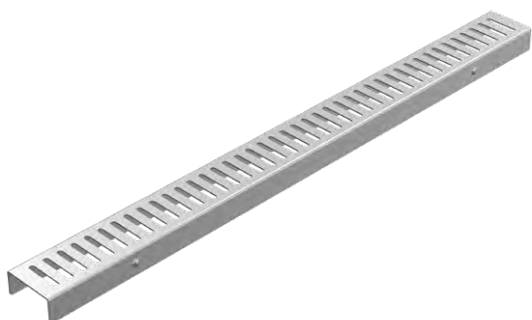
VIPERA



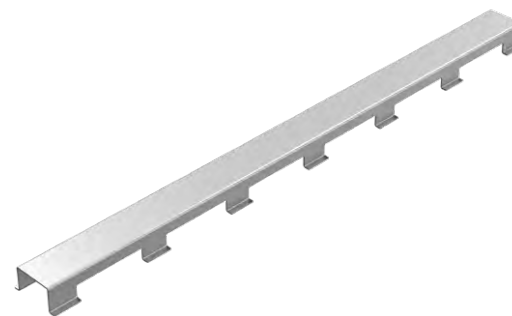
QUADRO



PIETRA



FAGIOLI



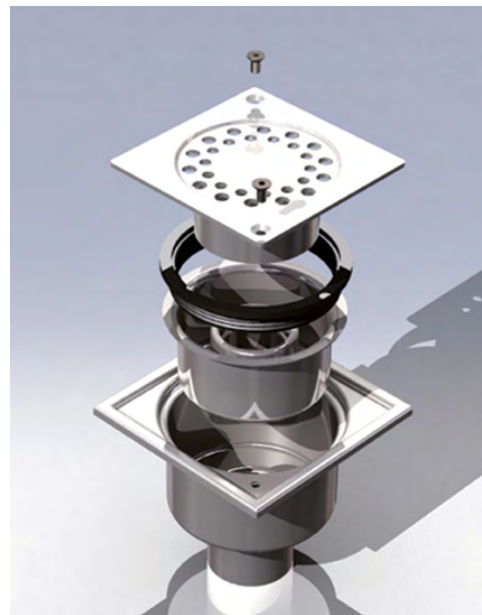
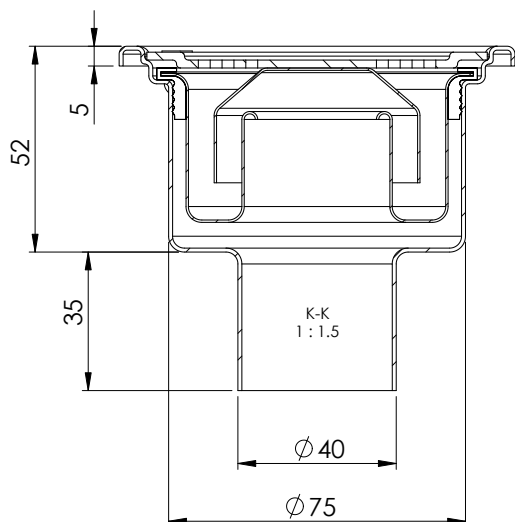
PIAZZA

# Bathroom floor drains

with horizontal and vertical outlet

Vertical outlet **WI100/40V1**

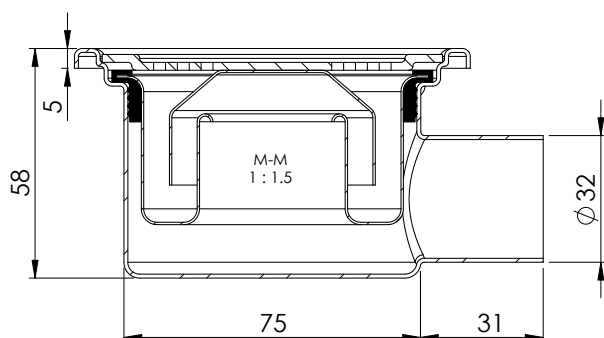
**DN40**



Description	Dimensions [mm]	Catalog No.
Floor drain with vertical outlet DN40	100 x 100	00.063040.02

Horizontal outlet **WI100/32H1**

**DN32**



Description	Dimensions [mm]	Catalog No.
Floor drain with horizontal outlet DN32	100 x 100	00.064032.02

# Grating

Available for bathroom floor



FIORE



CERCHIO



GOCCIA

Dimensions [mm]	Catalog No.	Finishing
100 x 100	01.063040.01	POLISHED
100 x 100	02.063040.01	POLISHED
100 x 100	03.063040.01	POLISHED

# Bathroom Wall Drainage

with horizontal and vertical

## General information

BWD Series is a two-piece low profile wall recess linear drain, that is specifically designed for a truly invisible floor drainage for an easy installation and with bonded waterproofing membrane. BWD drain is designed to accommodate large, small format tiles or stone installations in a shower with a single plane slope to the drain. Our linear drain is designed for commercial or residential projects and is intended for interior applications.

## Advantages

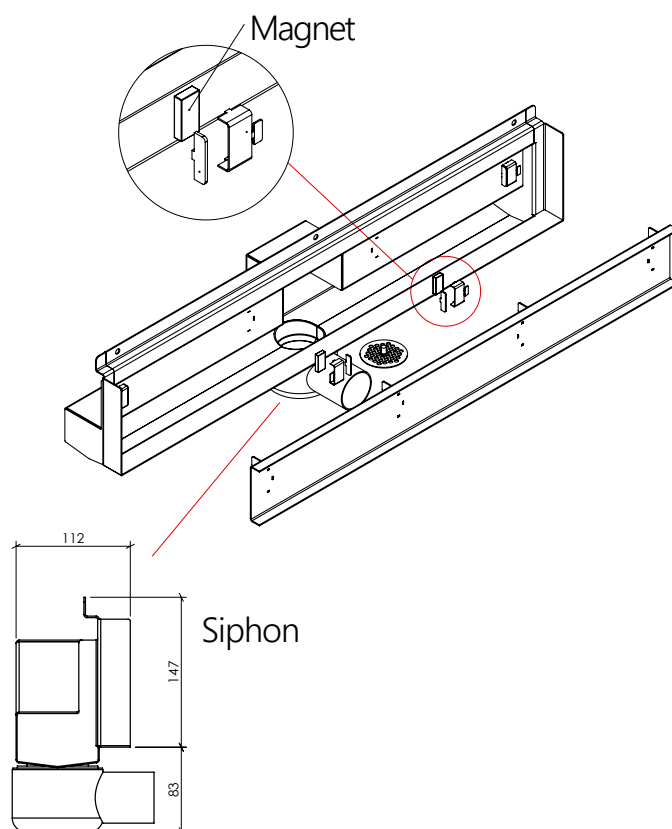
- Single slope to drain
- Allows for the use of tiles of any size and format
- Applicability of tiles into grating that blend with floor design
- Made from AISI304 stainless steel provides for long-lasting performance
- 360 degrees rotating siphon



BWD - without flange



BWD - with flange





# Gratings

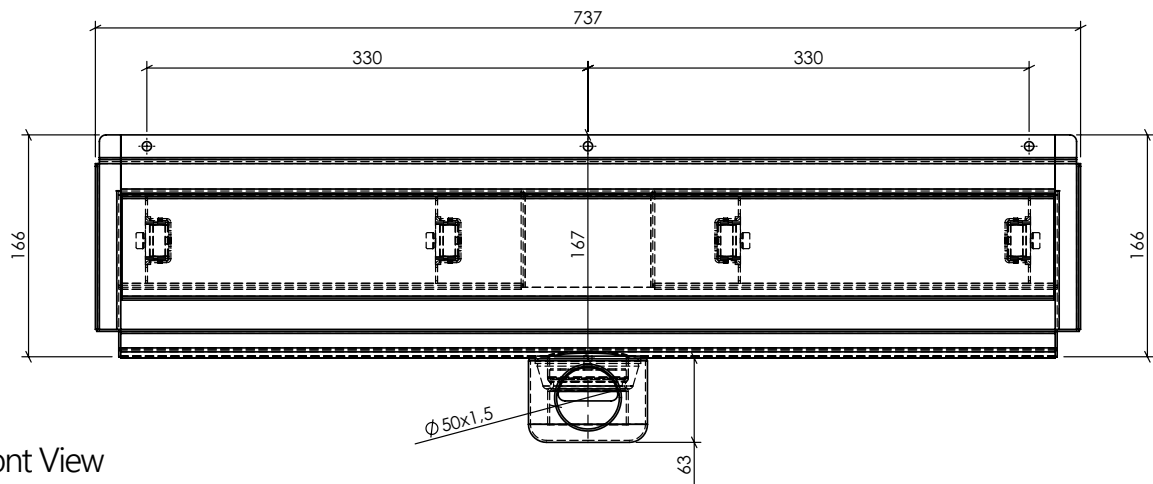
Available for bathroom floor

## Specification

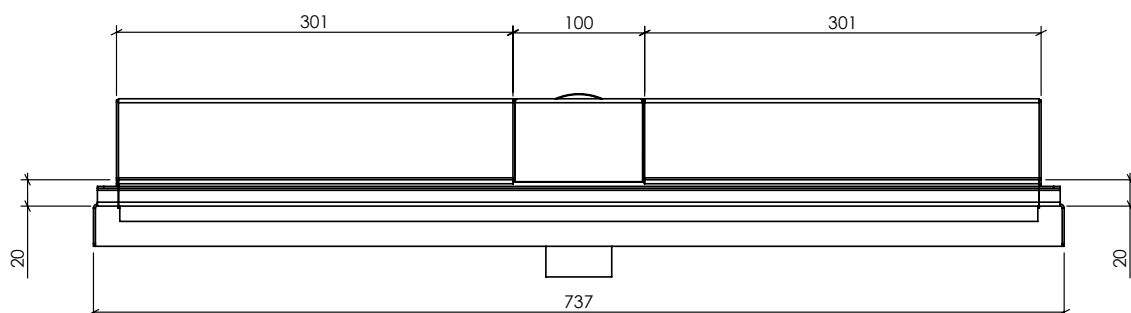
- Application: Commercial and Residential
- Diameter: 50 mm
- Drain Opening: 50 mm
- Fits Pipe Size: 50 mm



Catalog No.	Total Length [mm]	Visible Length [mm]
DUW-T-R-700	738	700
DUW-T-R-33	838	800
DUW-T-R-39	938	900



Front View



Top View

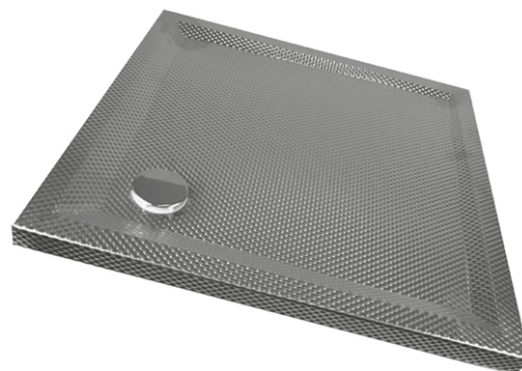
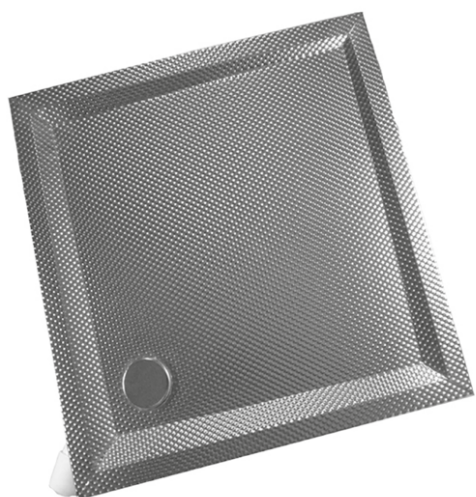
# Shower Bases

A fast and easy installation process is a very important feature of our shower bases. The antibacterial characteristics of stainless steel, and the possibility of using many kinds of disinfectants are also key advantages.

These bases are recommended not only for application in healthcare centers, hospitals and rehabilitation facilities but also as bathroom furnishings for sport centers.

## Advantages

- easy cleaning,
- aggressive disinfectants can be applied,
- anti-bacterial features of stainless steel,
- comfortable entrance to the shower cabin on a wheelchair without risk of damaging the structure or encountering any obstacles,
- easy assembly,
- aesthetically pleasing appearance.



Catalog No.	Dimensions [mm]	Height [mm]
00.208008.07	800 x 800	40
00.209009.07	900 x 900	40

## ATT Sp. z o. o.

ul. Albatrosów 16c  
30-716 Kraków, Poland  
+48 12 290 29 30  
att@att.eu  
www.attinox.com  
www.bim.att.eu

Stainless  
Steel  
Engineering