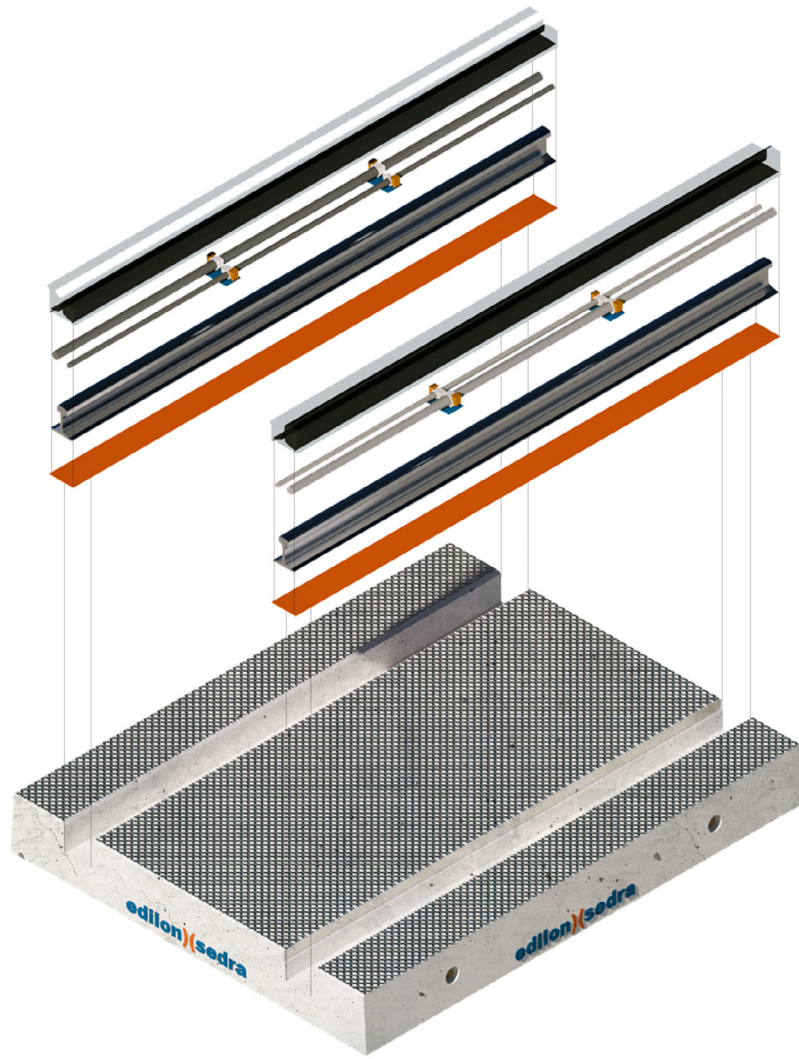


edilon)(sedra

BUILDING INFORMATION MODELLING (BIM) LIBRARY CATALOGUE

2025



The BIM objects showcased within this catalogue correspond to the standard portfolio of edilon)(sedra and are representative of the main track system families.

The edilon)(sedra BIM objects are available as Autodesk Revit Project files, which contain the relevant system families.

If you wish to download any of the BIM objects contained within this catalogue, please register your interest with the email address below:

mail@edilonsedra.com

Or simply contact our BIM experts in Madrid by phone
T +34 912655173

All components available within the edilon)(sedra library are to be used for design intent purposes only and therefore the data contained within this catalogue should be treated as such.

Please contact edilon)(sedra directly for more details and relevant product literature. These components are issued as a work in progress for information only and have no contractual status. Any formally issued documentation takes precedence over these models and its contents.

TABLE OF CONTENTS

1.0 EMBEDDED RAIL SYSTEMS (ERS)

ERS HR 60E1-MS 1:40 Ø32-50	05
ERS HR 60E1-MS 1:40 132-149	06
ERS HR 60E1-SS 1:40 132-149	07
ERS LR 49E1-MS 1:40 133-142	08
ERS LR 49E1-SS 1:40 133-142	09
ERS LR 49E1-MS 1:40 Ø32-50	10
ERS LR 60R2-MS 145-146	11
ERS LR 60R2-MS 146	12
ERS LR 60R2-SS 145-146	13
ERS LR 60R2-SS 146	14
ERS LR 55G2-MS 132-149	15
ERS LR 55G2-SS 132-149	16
ERS HR 60E1-SS 1:40 142-143 V187	17
ERS HR 50E6-MS 1:20	18
ERS HR 54E1-SS 1:20	19
ERS HR 54E1-MS 1:40	20
ERS HR NZR50kg-SS 1:20	21

2.0 EMBEDDED BLOCK SYSTEMS (EBS)

EBS LR 49E1-MS 1:40 SkI	23
EBS HR 60E1-MS 1:40 SkI	24

3.0 LEVEL CROSSING SYSTEMS (LCS)

LCS-350 concrete slab for level crossings (3 m)	26
LCS-350 concrete slab for level crossings (4 m)	27
LCS-400 SNCF concrete slab for level crossings (4 m)	28
LCS-400 SNCF concrete slab for level crossings (6 m)	29
LCS-400 ADIF concrete slab for level crossings (5 m)	30
LCS-H KiwiRail concrete slab for level crossings (8 m)	31
LCS-H KiwiRail concrete slab for level crossings (12 m)	32
LCS-H6 Harmelen (ProRail) slab for level crossings	33
LCS-H9 Harmelen (ProRail) slab for level crossings	34

4.0 DIRECT FASTENING SYSTEMS (DFS)

DFS-SB 60E1-MS TA	36
DFS-SB 54E1-MS TA	37
DFS-FR 115RE-SS	38
DFS-FR 115RE-SS (pedestal)	39
DFS-GR 33C1	40
DFS-PB 54E1-MS TZ	41
DFS-PB 54E1-MS TY	42

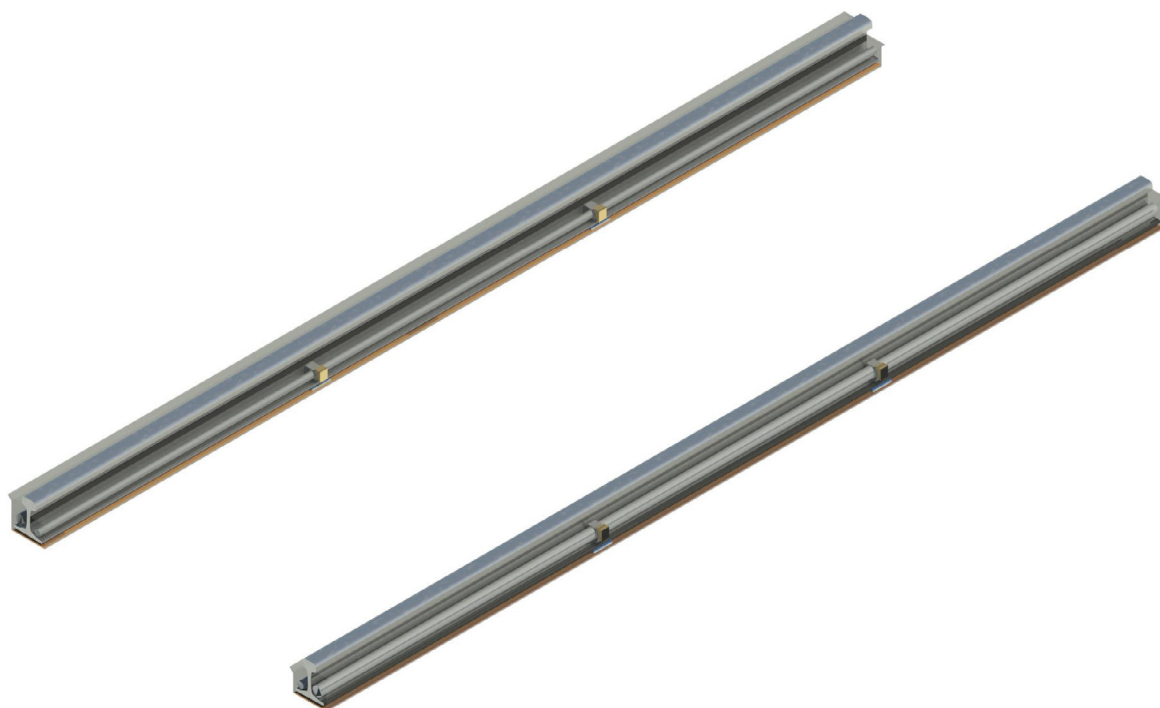
5.0 COMBINED EXAMPLES

LCS 350 Example	44
LCS 400 ADIF Example	45

01

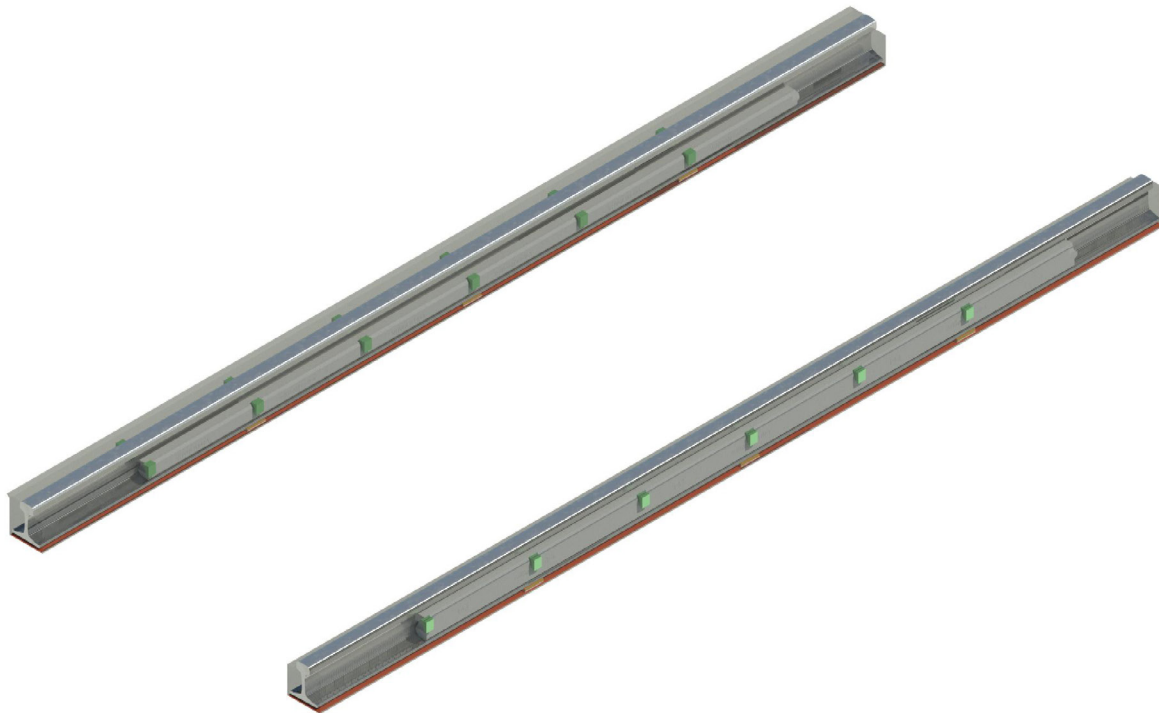
Embedded Rail System

edilon)(sedra Corkelast® ERS HR 60E1-MS 1:40 Ø32-50



Category	Embedded Rail System
System Information Sheet	SIS_ERS HR 60E1-MS_080629
Model Name	MB-ERS-DRW-001_01 ERS HR 60E1-MS 1-40 Ø32-50
URL	https://www.edilonsedra.com

edilon)(sedra Corkelast® ERS HR 60E1-MS 1:40 132-149



Category	Embedded Rail System
System Information Sheet	SIS_ERS HR 60E1-MS_080629
Model Name	MB-ERS-DRW-003_01 ERS HR 60E1-MS 1-40 132-149
URL	https://www.edilonsedra.com

edilon)(sedra Corkelast® ERS HR 60E1-SS 1:40 132-149



Category	Embedded Rail System
System Information Sheet	SIS_ERS HR 60E1-SS_110911
Model Name	MB-ERS-DRW-004_01 ERS HR 60E1-SS 1-40 132-149
URL	https://www.edilonsedra.com

edilon)(sedra Corkelast® ERS LR 49E1-MS 1:40 133-142



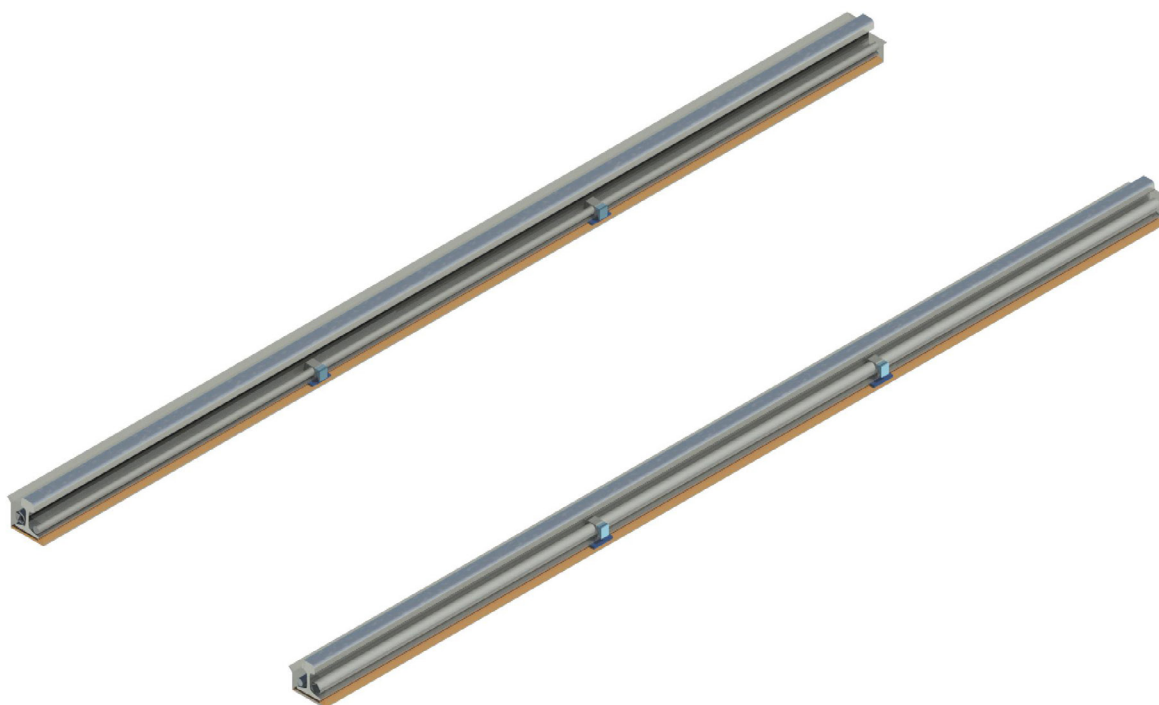
Category	Embedded Rail System
System Information Sheet	SIS_ERS LR 49E1-MS_080631
Model Name	MB-ERS-DRW-104_01 ERS LR 49E1-MS 1-40 133-142
URL	https://www.edilonsedra.com

edilon)(sedra Corkelast® ERS LR 49E1-SS 1:40 133-142



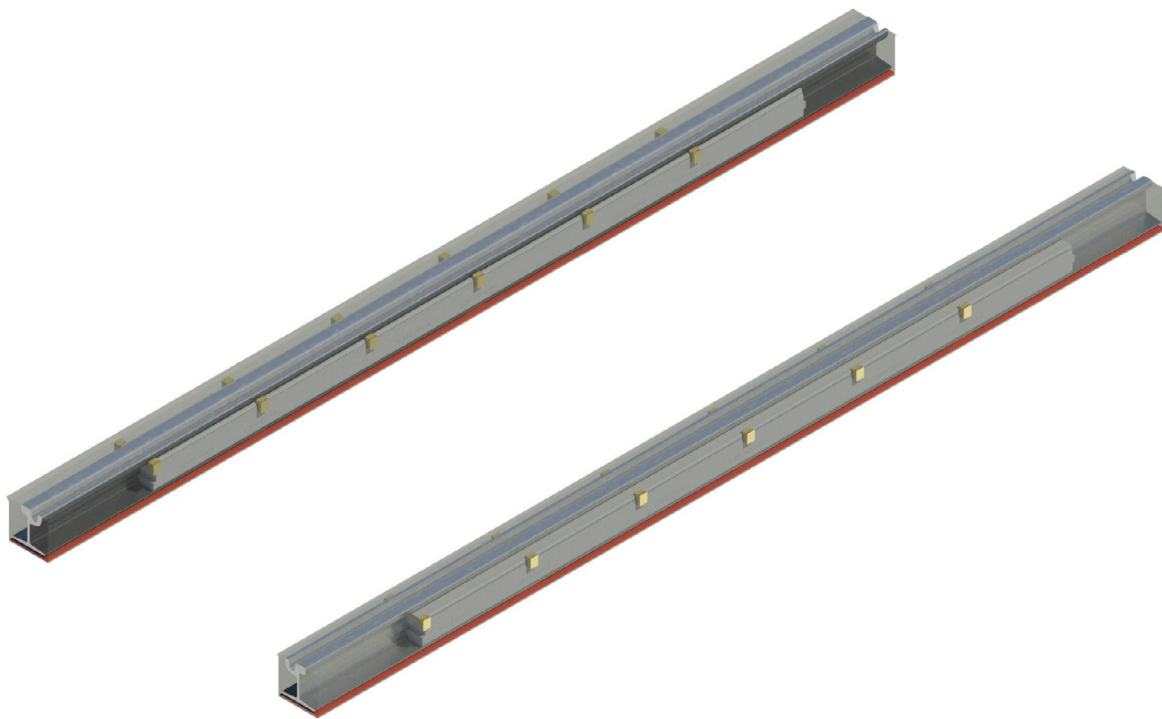
Category	Embedded Rail System
System Information Sheet	SIS_ERS LR 49E1-SS_091217
Model Name	MB-ERS-DRW-106_01 ERS LR 49E1-SS 1-40 133-142
URL	https://www.edilonsedra.com

edilon)(sedra Corkelast® ERS LR 49E1-MS 1:40 Ø32-50



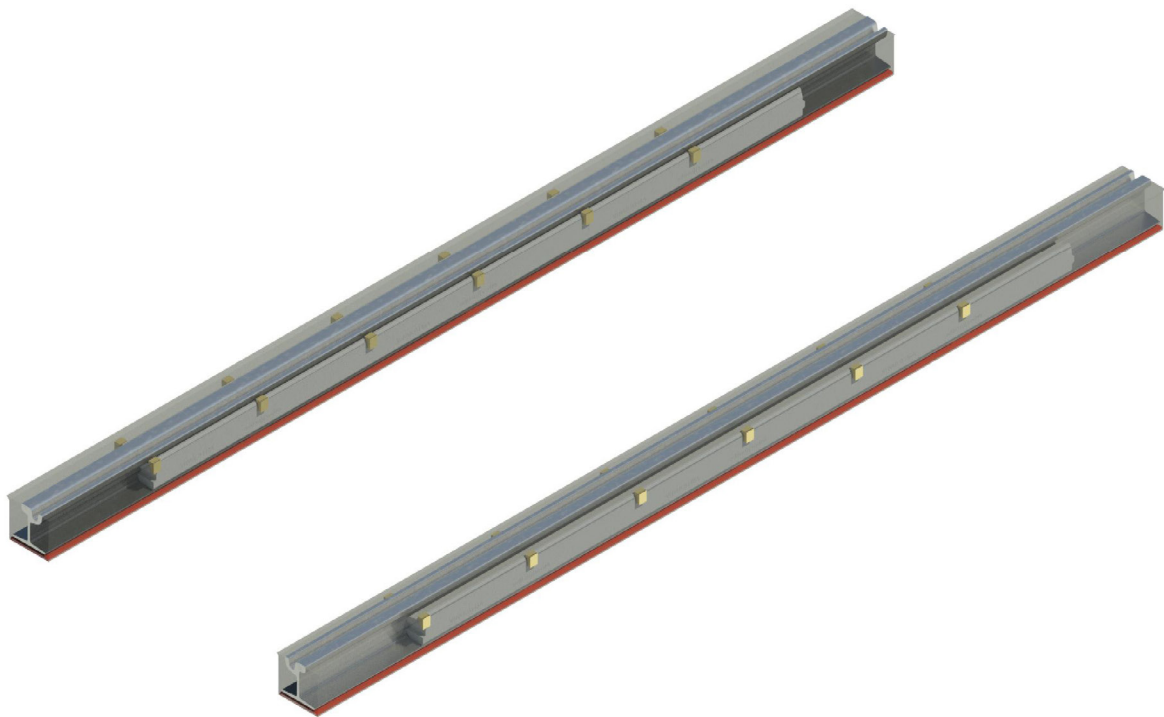
Category	Embedded Rail System
System Information Sheet	SIS_ERS LR 49E1-MS_080631
Model Name	MB-ERS-DRW-107_01 ERS LR 49E1-MS 1-40 Ø32-50
URL	https://www.edilonsedra.com

edilon)(sedra Corkelast® ERS LR 60R2-MS 145-146



Category	Embedded Rail System
System Information Sheet	SIS_ERS LR 60R2-SS_080633
Model Name	MB-ERS-DRW-204_01 ERS LR 60R2-MS 145-146
URL	https://www.edilonsedra.com

edilon)(sedra Corkelast® ERS LR 60R2-MS 146



Category	Embedded Rail System
System Information Sheet	SIS_ERS LR 60R2-MS_080632
Model Name	MB-ERS-DRW-205_01 ERS LR 60R2-MS 146
URL	https://www.edilonsedra.com

edilon)(sedra Corkelast® ERS LR 60R2-SS 145-146



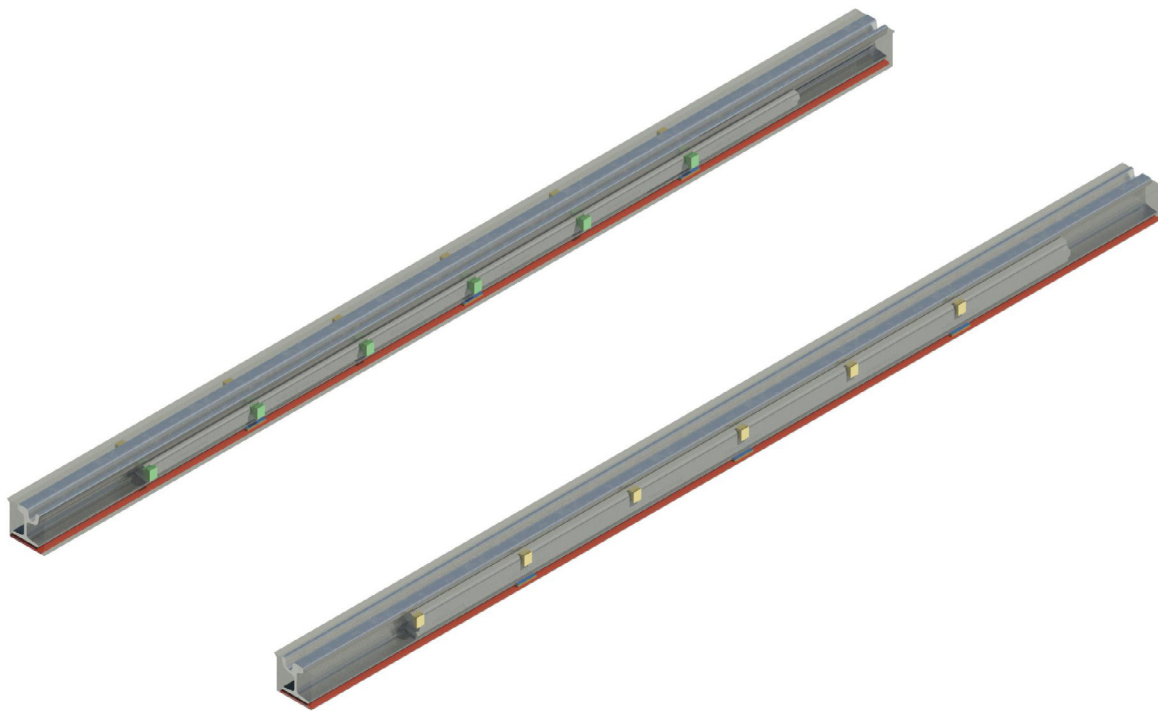
Category	Embedded Rail System
System Information Sheet	SIS_ERS LR 60R2-SS_080633
Model Name	MB-ERS-DRW-207_01 ERS LR 60R2-SS 145-146
URL	https://www.edilonsedra.com

edilon)(sedra Corkelast® ERS LR 60R2-SS 146



Category	Embedded Rail System
System Information Sheet	SIS_ERS LR 60R2-SS_080633
Model Name	MB-ERS-DRW-DRW-208_00 ERS LR 60R2-SS 146
URL	https://www.edilonsedra.com

edilon)(sedra Corkelast® ERS LR 55G2-MS 132-149



Category	Embedded Rail System
System Information Sheet	SIS_ERS LR 55G2-MS_110903
Model Name	MB-ERS-DRW-209_01 ERS LR 55G2-MS 132-149
URL	https://www.edilonsedra.com

edilon)(sedra Corkelast® ERS LR 55G2-SS 132-149



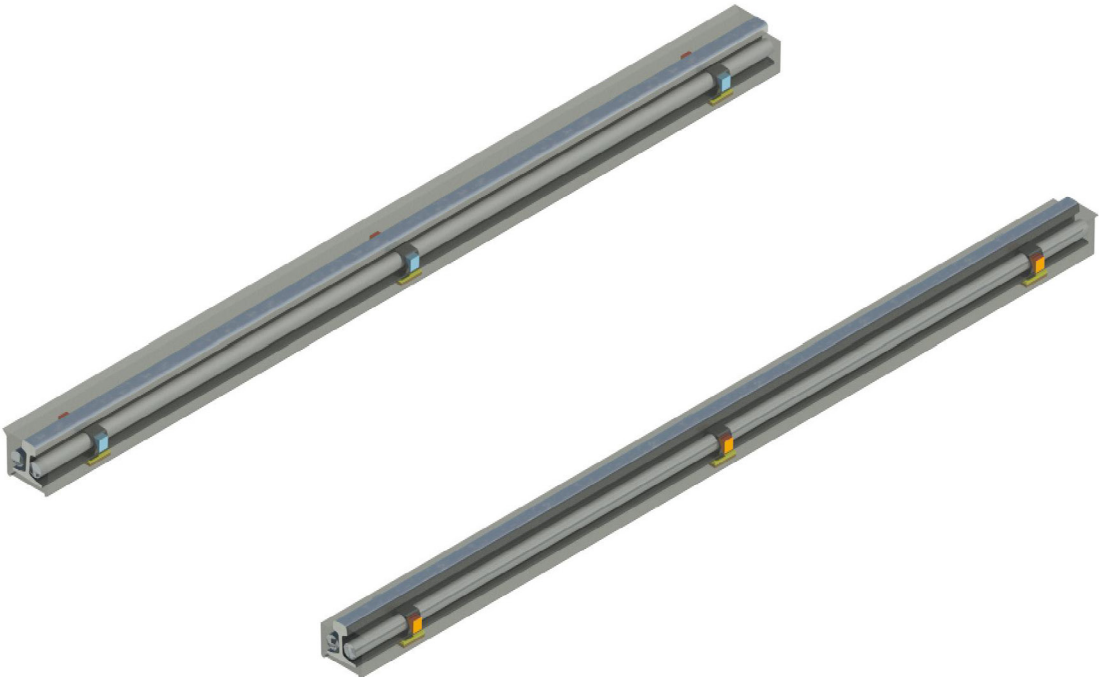
Category	Embedded Rail System
System Information Sheet	SIS_ERS LR 55G2-SS_110904
Model Name	MB-ERS-DRW-210_01 ERS LR 55G2-SS 132-149
URL	https://www.edilonsedra.com

edilon)(sedra Corkelast® ERS HR 60E1-SS 1:40 142-143



Category	Embedded Rail System
System Information Sheet	SIS_ERS HR 60E1-SS_110911
Model Name	MB-ERS-DRW-310_01 ERS HR 60E1-SS 1-40 142-143
URL	https://www.edilonsedra.com

edilon)(sedra Corkelast® ERS HR 50E6-MS 1:20



Category

Embedded Rail System

System Information Sheet

SIS_ERS HR 60E1-MS_080629

Model Name

A1827-ESA-DRW-02_01 ERS HR 50E6-MS

URL

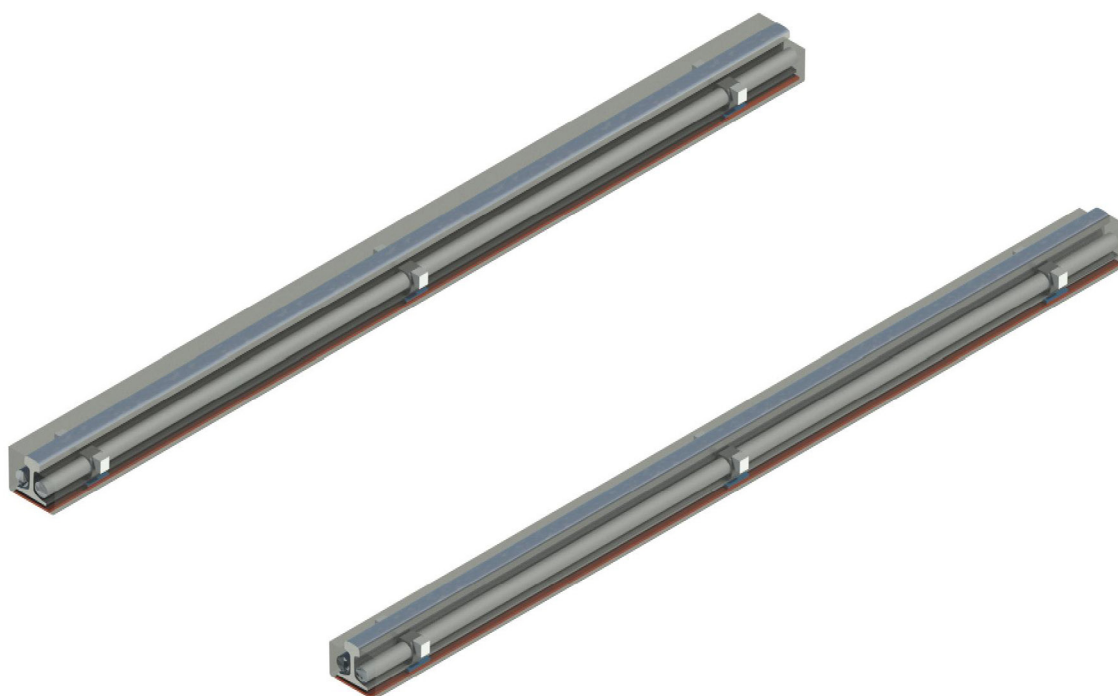
<https://www.edilonsedra.com>

edilon)(sedra Corkelast® ERS HR 54E1-SS 1:20



Category	Embedded Rail System
System Information Sheet	SIS_ERS HR 60E1-SS_110911
Model Name	A2203-ESA-DRW-01_01 ERS HR 54E1-SS 1-20
URL	https://www.edilonsedra.com

edilon)(sedra Corkelast® ERS HR 54E1-MS 1:40



Category	Embedded Rail System
System Information Sheet	SIS_ERS HR 60E1-MS_080629
Model Name	2007-0707D ERS HR 54E1-MS 1-40 type F
URL	https://www.edilonsedra.com

edilon)(sedra Corkelast® ERS HR NZR50kg-SS 1:20

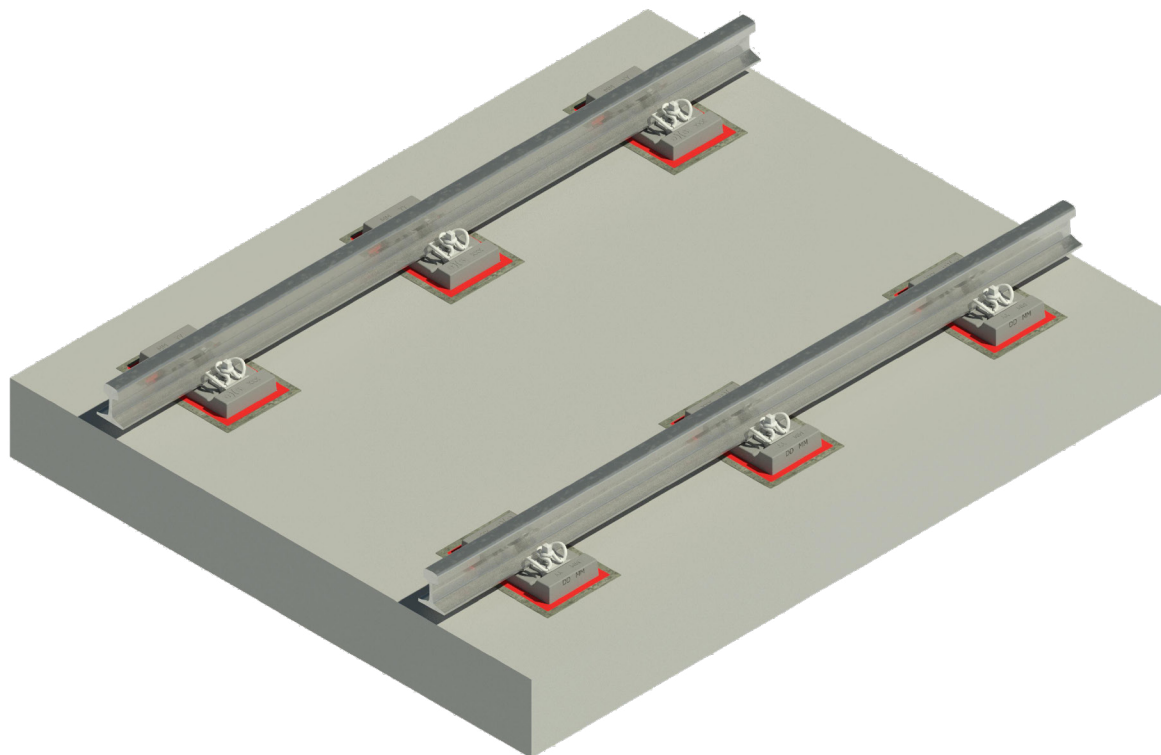


Category	Embedded Rail System
System Information Sheet	SIS_ERS HR 60E1-SS_110911
Model Name	A1835-ESA-DRW-04_03 ERS HR NZR50kg-SS 1-20
URL	https://www.edilonsedra.com

02

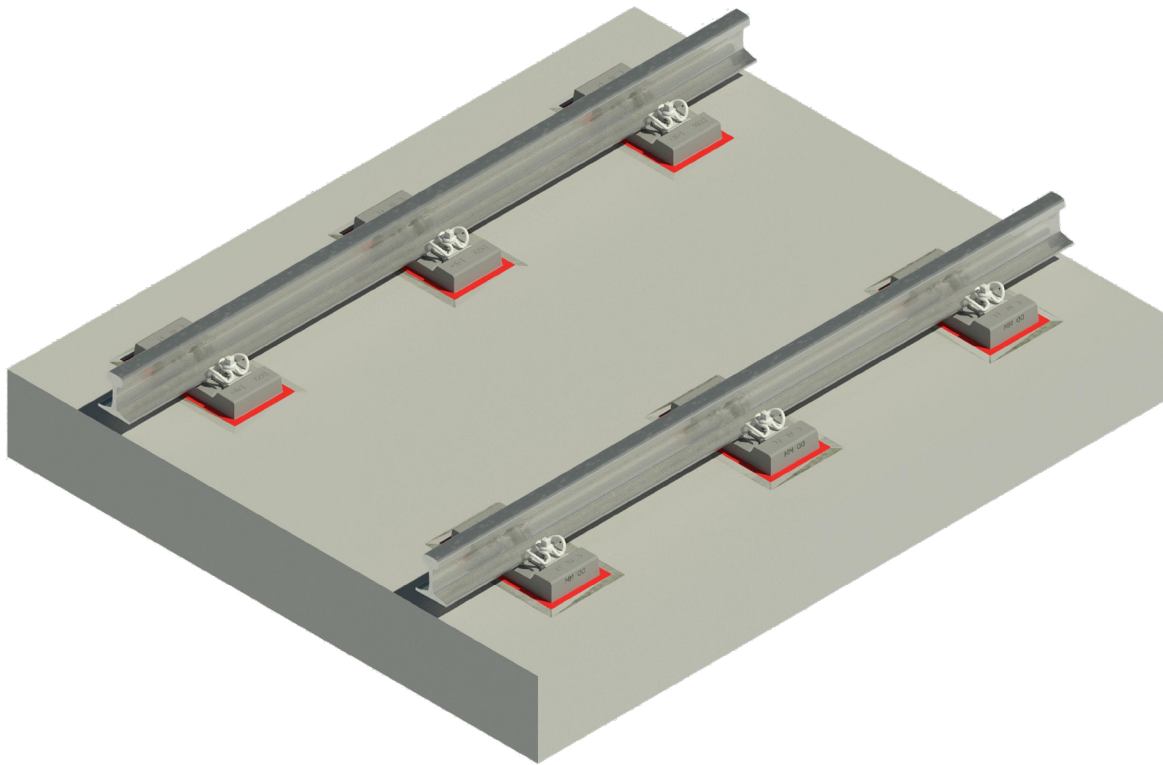
Embedded Block System

edilon)(sedra Corkelast® EBS LR 49E1-MS 1:40 Ski



Category	Embedded Block System
System Information Sheet	SIS_EBS LR 49E1-MS Ski_180705
Model Name	MB-EBS-DRW-003_00 EBS LR 49E1-MS 140 Ski Track
URL	https://www.edilonsedra.com

edilon)(sedra Corkelast® EBS HR 60E1-MS 1:40 SkI



Category

Embedded Block System

System Information Sheet

SIS_EBS HR 60E1-MS type SkI_080627

Model Name

MB-EBS-DRW-009_00 EBS HR 60E1-MS 140 SkI Track

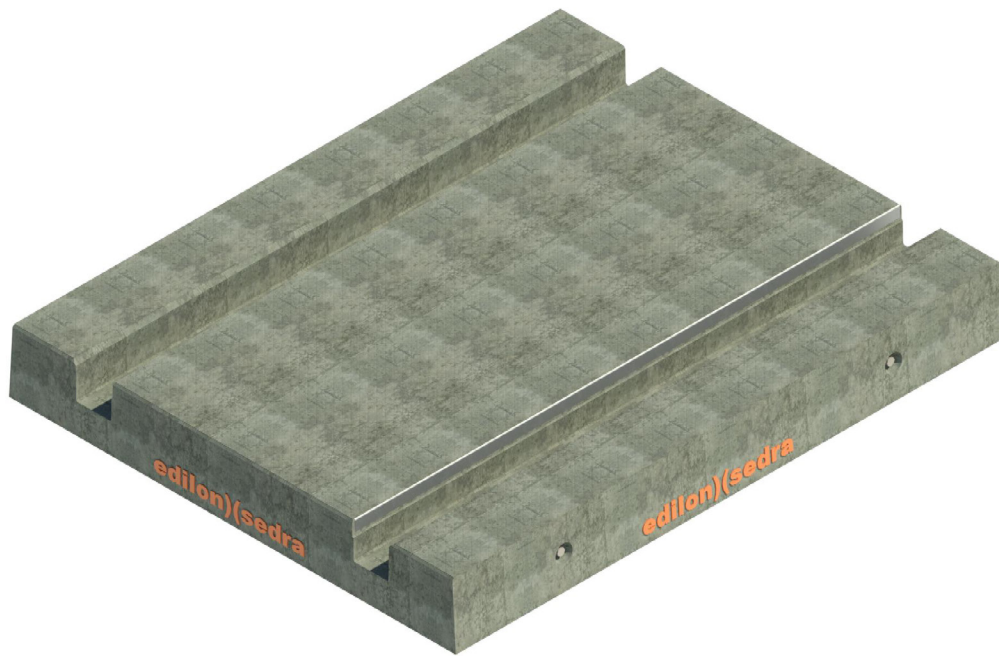
URL

<https://www.edilonsedra.com>

03

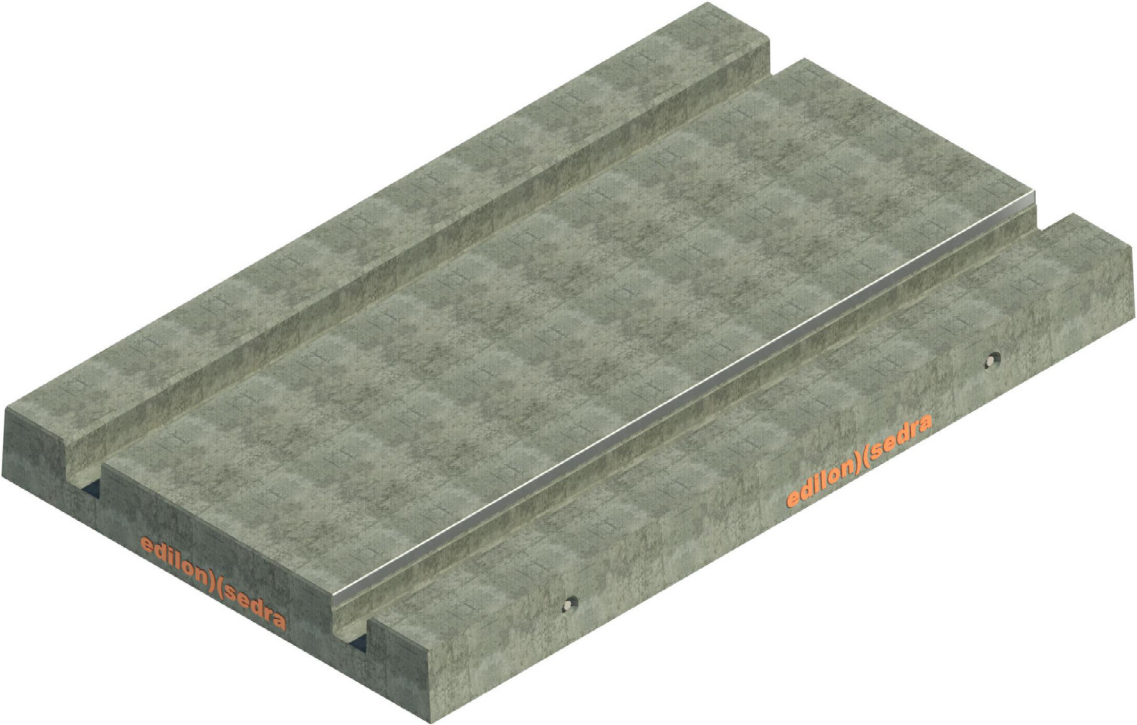
Level Crossing System

edilon)(sedra LCS-350 concrete slab for level crossings (3 m)



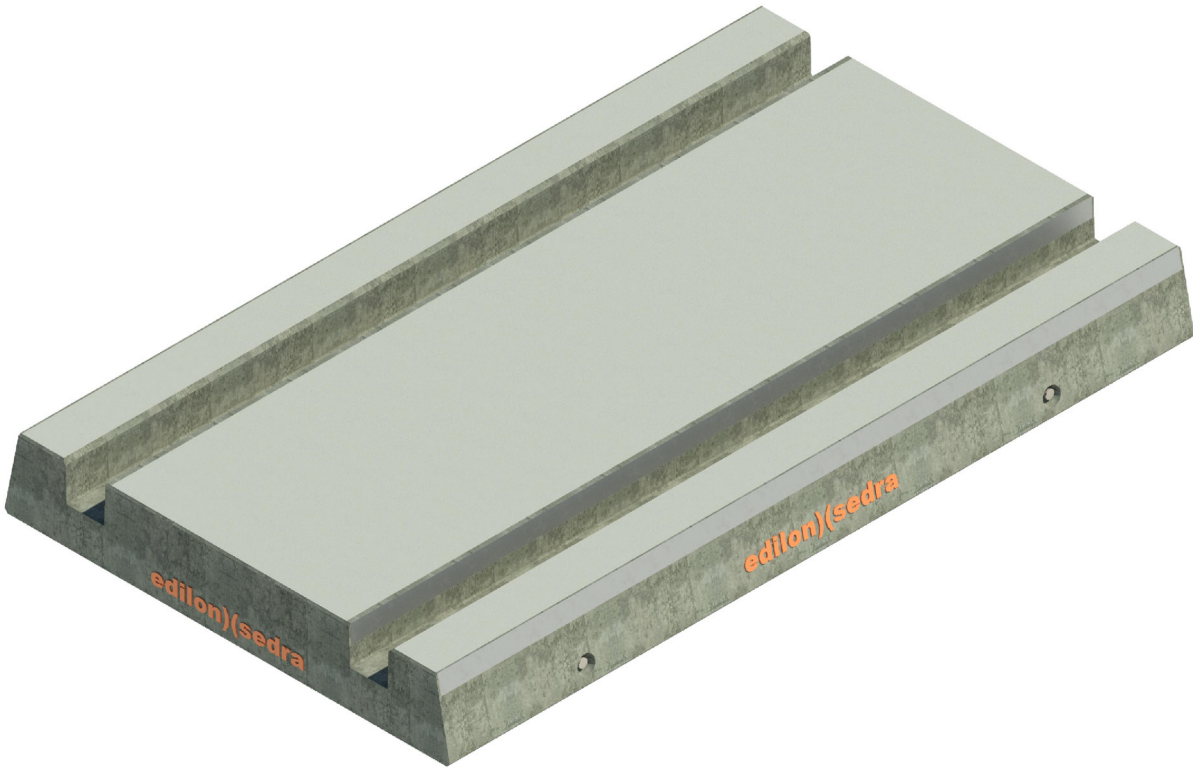
Category	Level Crossing System
Slab Drawing No.	A1711-ESA-DRW-01_02
Model Name	LCS-350 - 3m
URL	https://www.edilonsedra.com

edilon)(sedra LCS-350 concrete slab for level crossings (4 m)



Category	Level Crossing System
Slab Drawing No.	A1711-ESA-DRW-02_02
Model Name	LCS-350 - 4m
URL	https://www.edilonsedra.com

**edilon)(sedra LCS-400 SNCF concrete
slab for level crossings (4 m)**



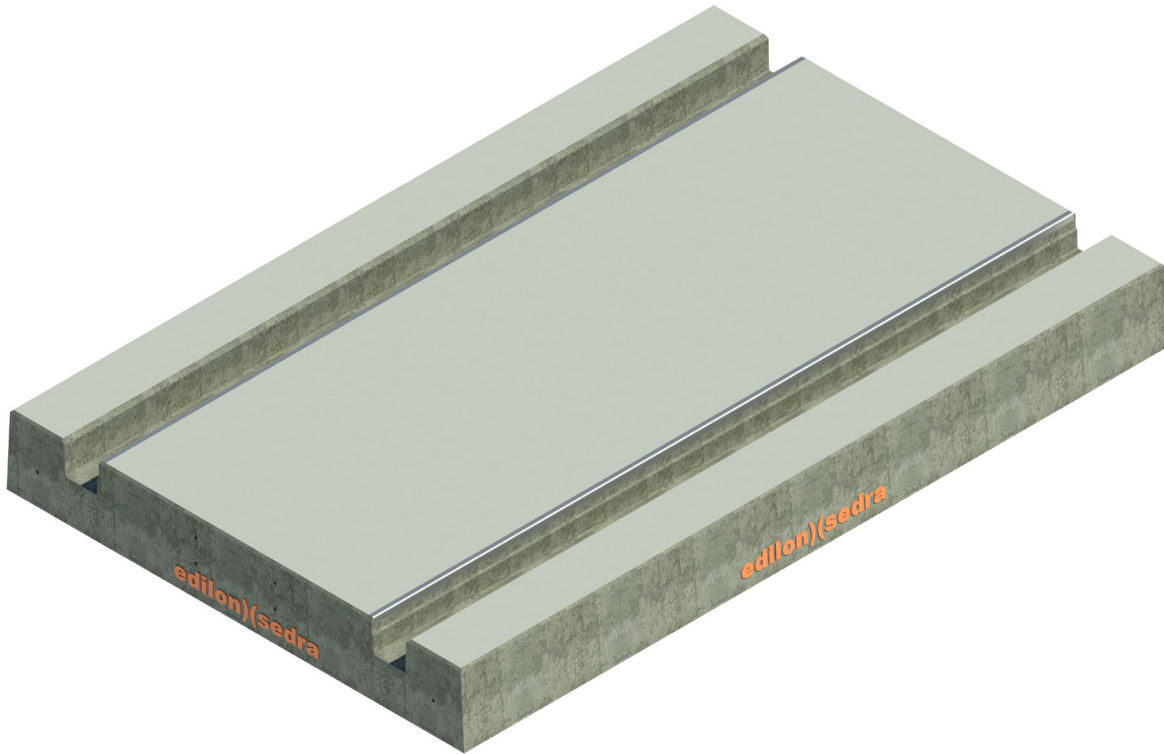
Category	Level Crossing System
Slab Drawing No.	A1827-ESA-DRW-05_00
Model Name	LCS-400 SNCF - 4m
URL	https://www.edilonsedra.com

**edilon)(sedra LCS-400 SNCF concrete
slab for level crossings (6 m)**



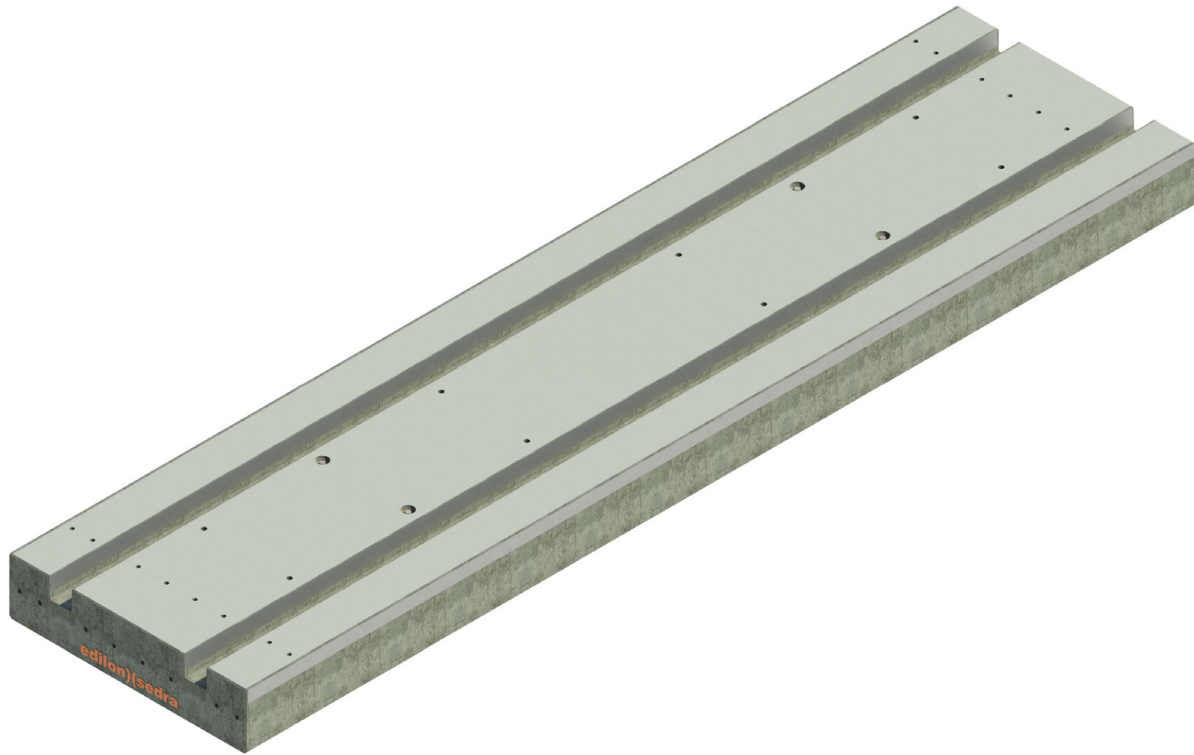
Category	Level Crossing System
Slab Drawing No.	A1827-ESA-DRW-04_00
Model Name	LCS-400 SNCF - 6m
URL	https://www.edilonsedra.com

edilon)(sedra LCS-400 ADIF concrete slab for level crossings (5m)



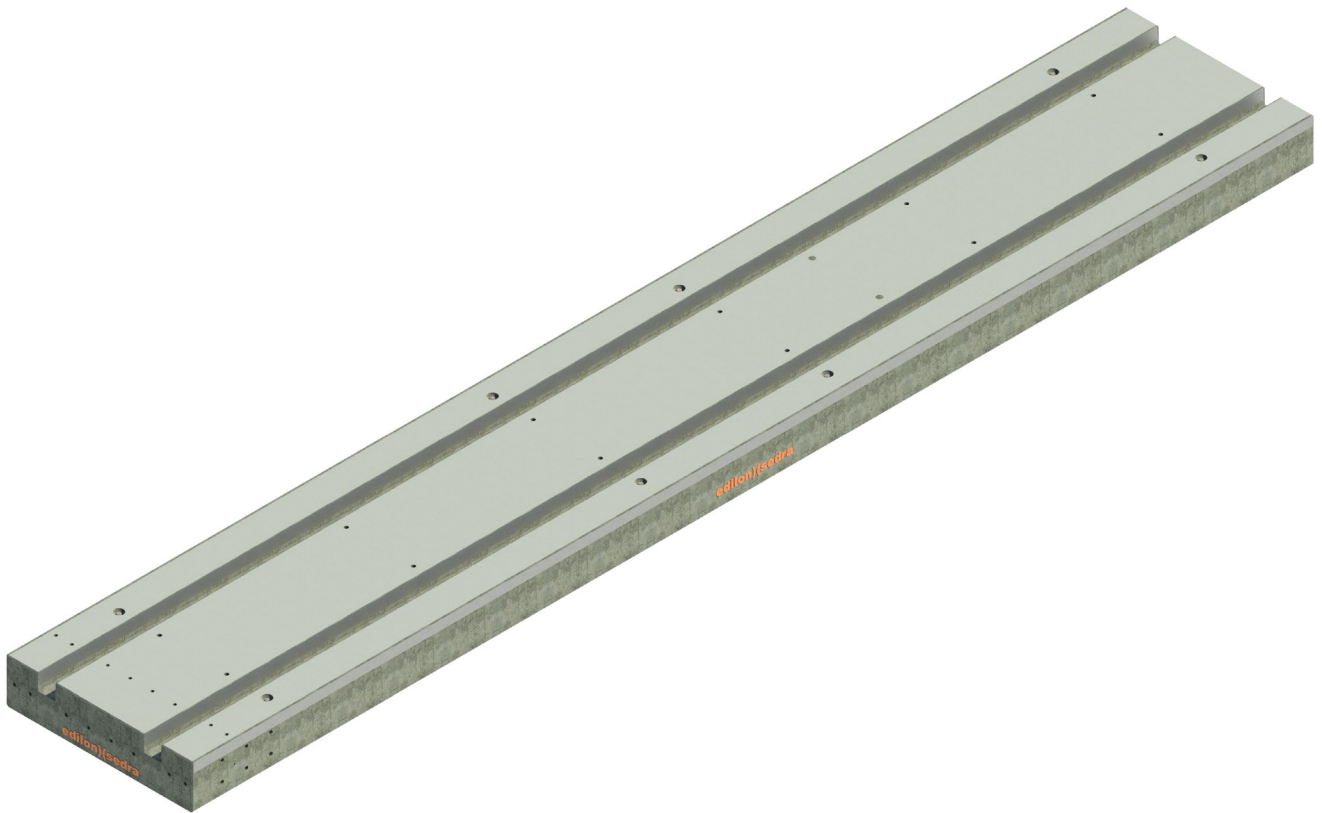
Category	Level Crossing System
Slab Drawing No.	A2203-ESA-DRW-02_01
Model Name	LCS-400 ADIF
URL	https://www.edilonsedra.com

**edilon)(sedra LCS-H KiwiRail concrete
slab for level crossings (8 m)**



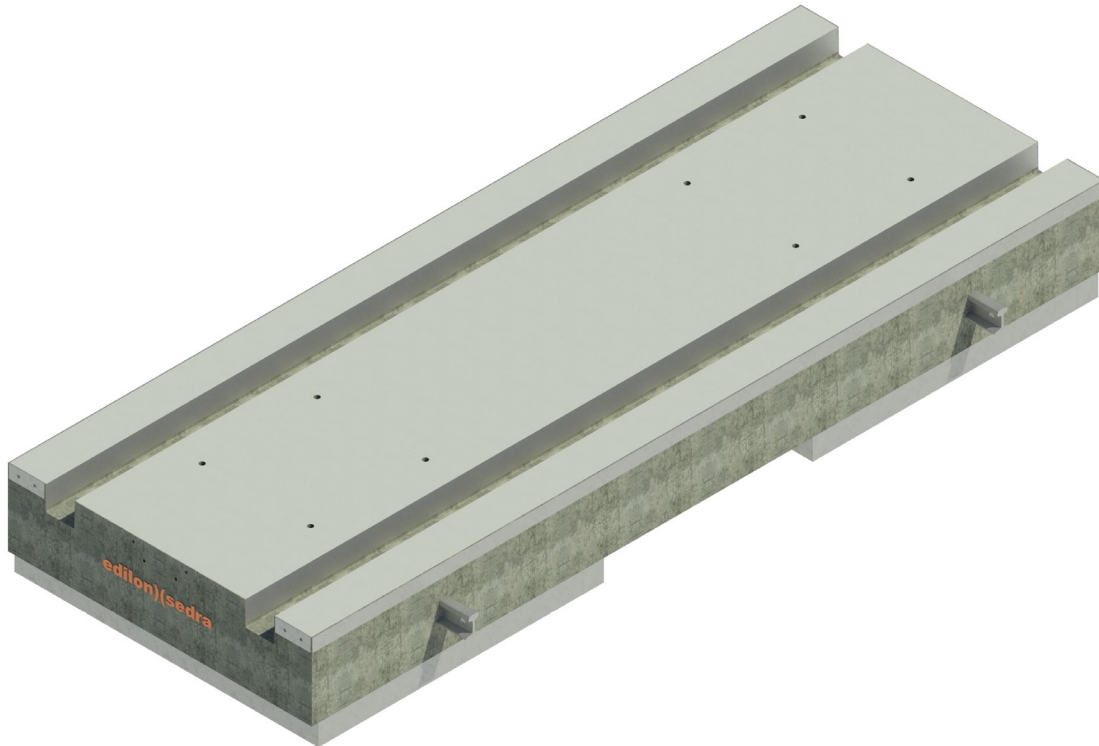
Category	Level Crossing System
Slab Drawing No.	A2244-ESA-DRW-01_00
Model Name	LCS-H - 8m
URL	https://www.edilonsedra.com

edilon)(sedra LCS-H KiwiRail concrete slab for level crossings (12 m)



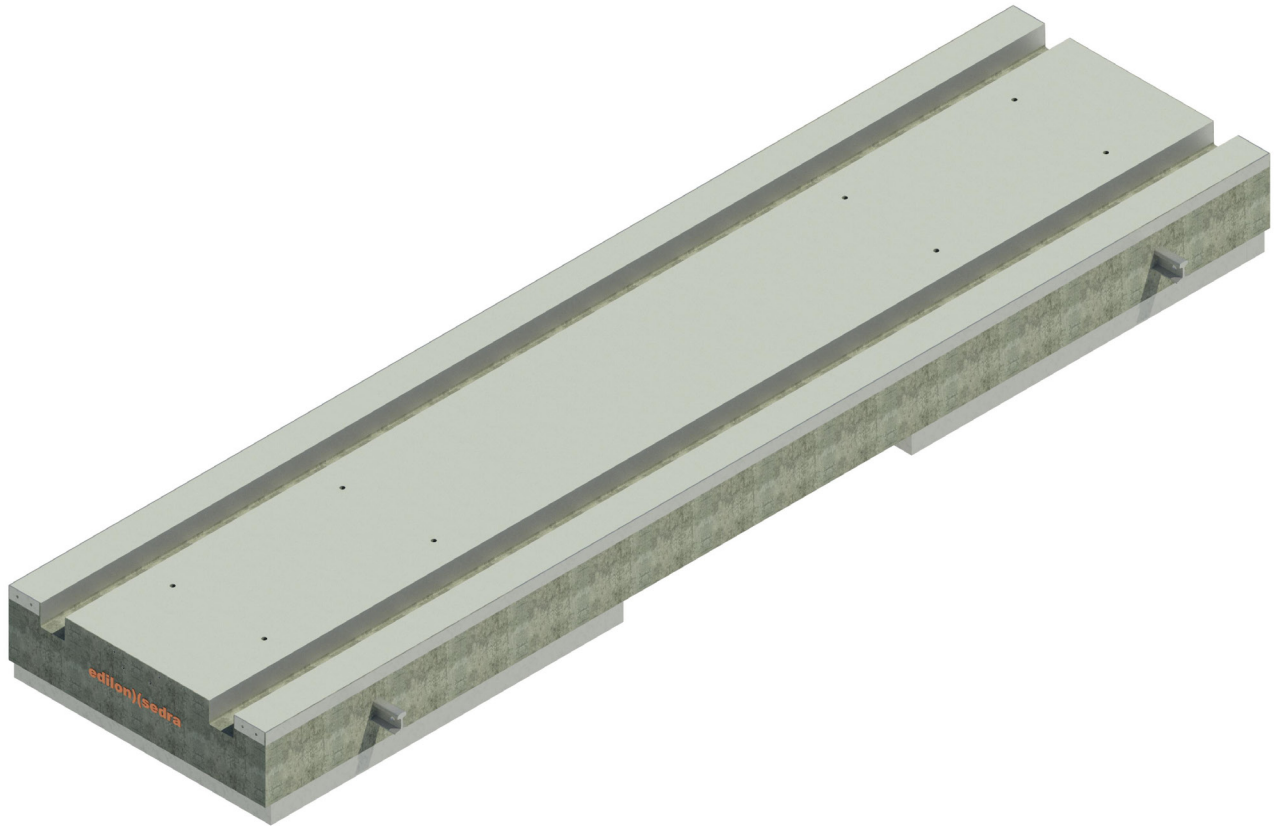
Category	Level Crossing System
Slab Drawing No.	A2244-ESA-DRW-005
Model Name	LCS-H - 12m
URL	https://www.edilonsedra.com

**edilon)(sedra LCS-H6 Harmelen (ProRail)
slab for level crossings**



Category	Level Crossing System
Slab Drawing No.	VH-LCH-DRW-001
Model Name	LCS-H Harmelen - 6m
URL	https://www.edilonsedra.com

**edilon)(sedra LCS-H9 Harmelen (ProRail)
slab for level crossings**

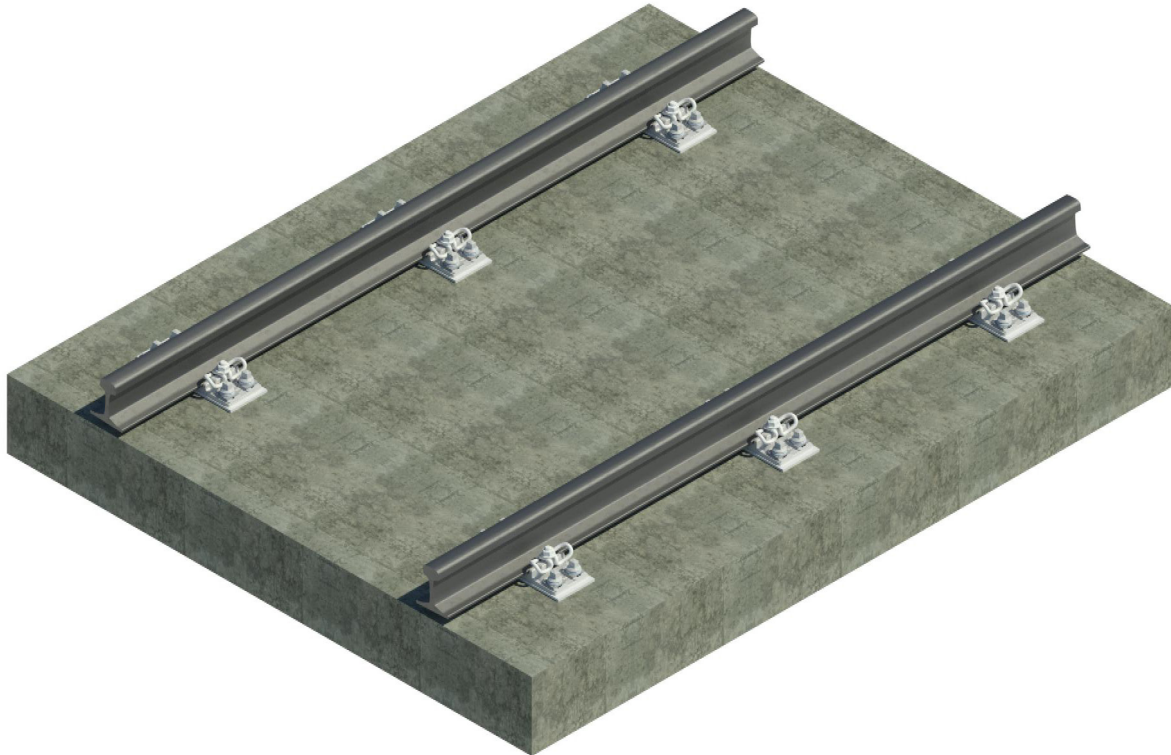


Category	Level Crossing System
Slab Drawing No.	VH-LCH-DRW-003
Model Name	LCS-H Harmelen - 9m
URL	https://www.edilonsedra.com

04

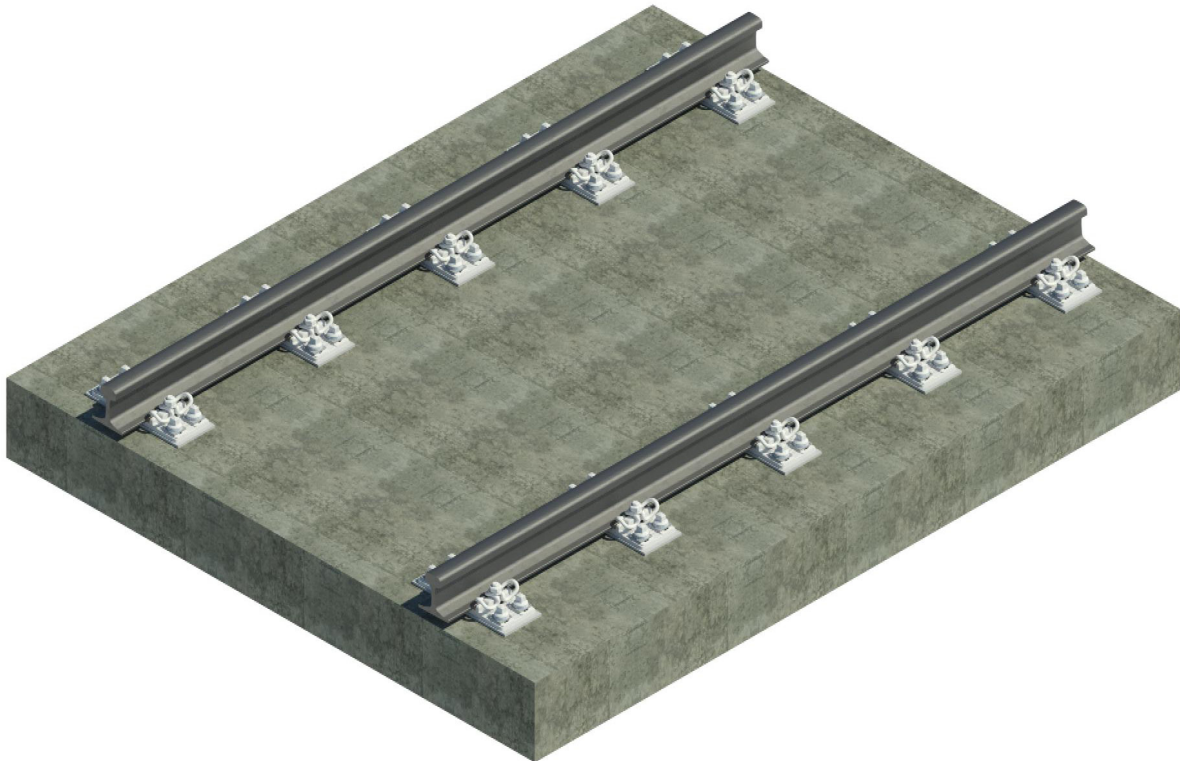
Direct Fastening System

edilon)(sedra DFS-SB (Direct Fastening System – Steel Baseplate) type DFS-SB 60E1-MS 1:20 TA



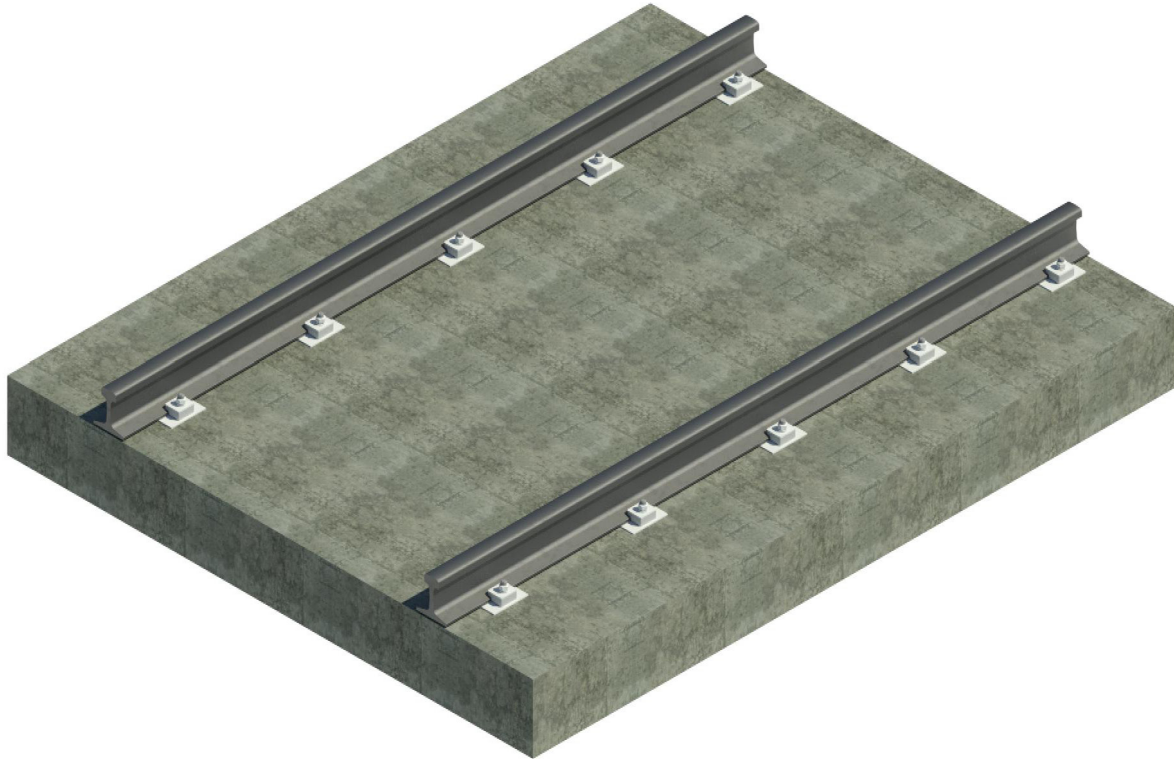
Category	Direct Fastening System
System Information Sheet	SIS_DFS-SB 60E1-MS TA (EN)_190102
Model Name	MB-DFS-DRW-001
URL	https://www.edilonsedra.com

edilon)(sedra DFS-SB (Direct Fastening System – Steel Baseplate) type DFS-SB 54E1-MS 1:40 TA



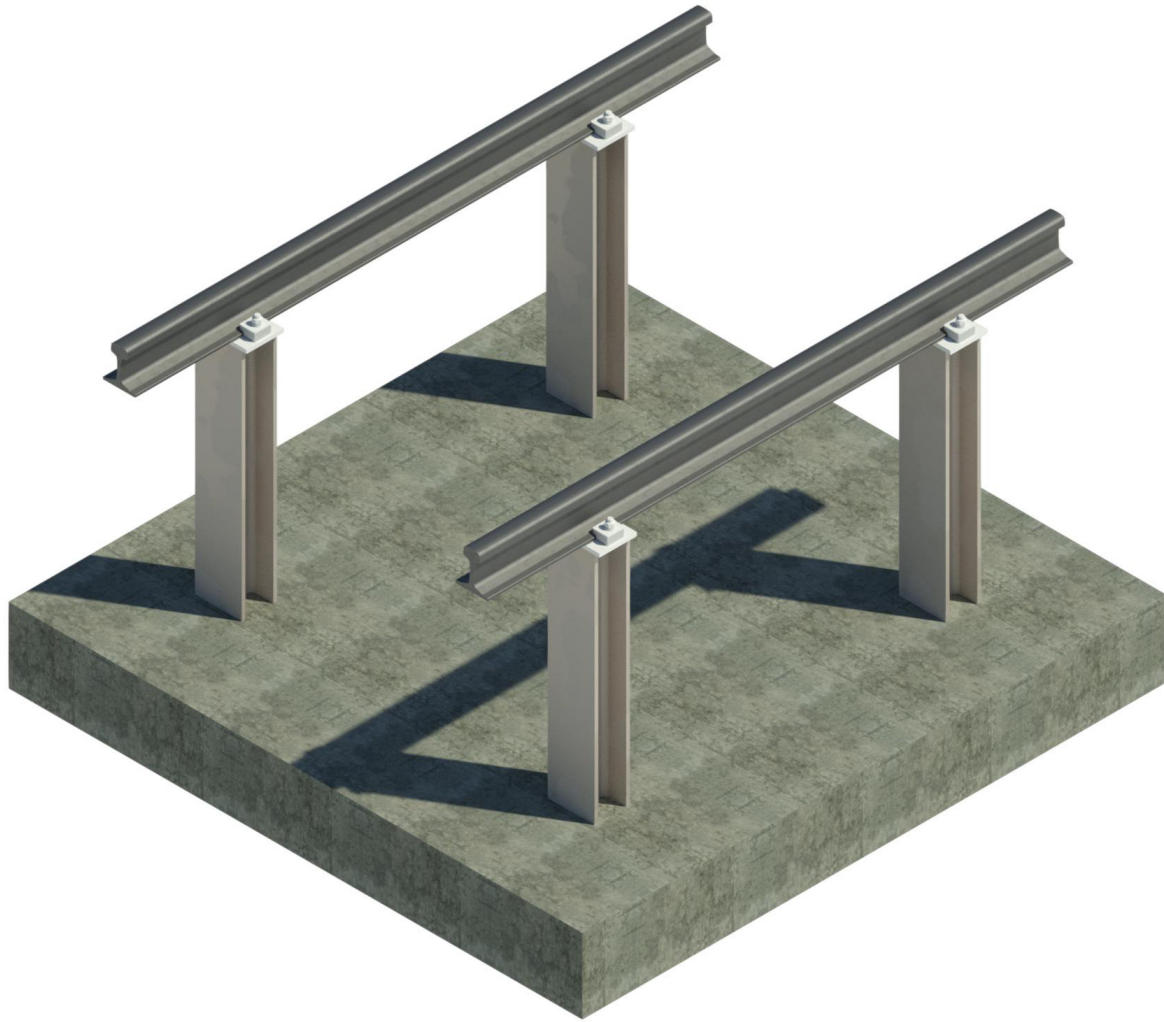
Category	Direct Fastening System
System Information Sheet	SIS_DFS-SB 54E1-MS TA (EN)_220212
Model Name	MB-DFS-DRW-002
URL	https://www.edilonsedra.com

edilon)(sedra DFS-FR (Direct Fastening System - FR) type DFS-FR 115RE-SS



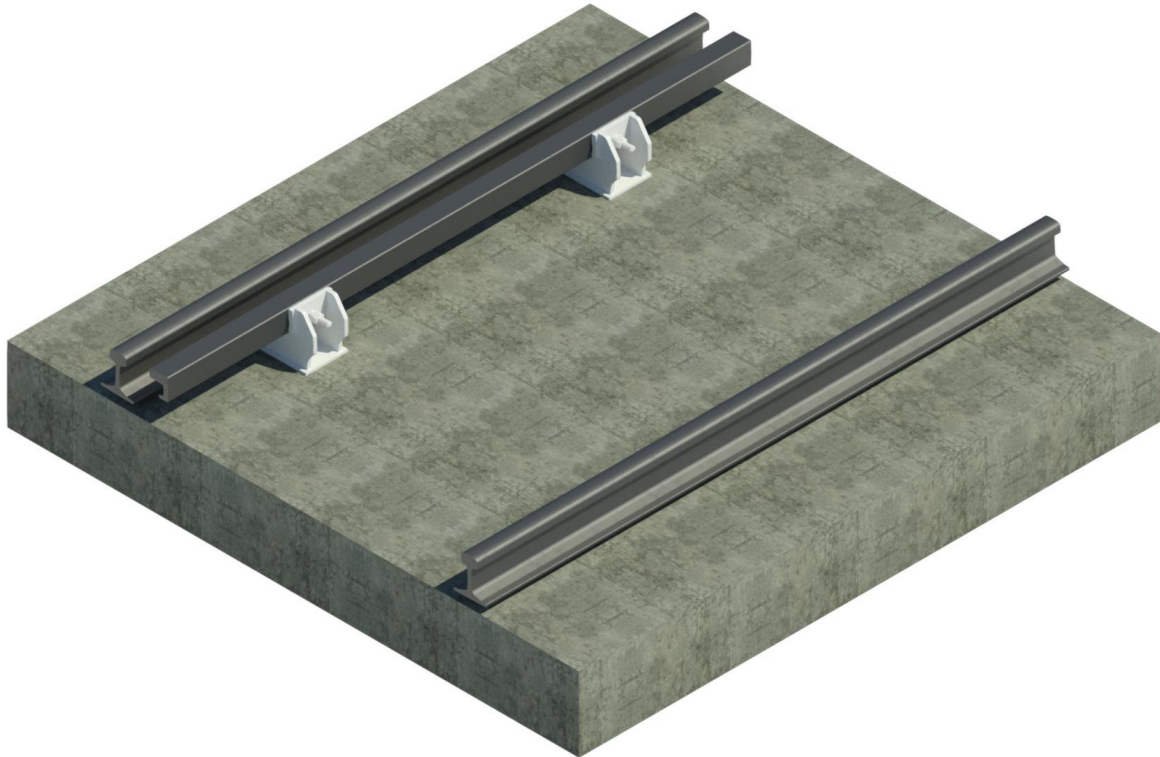
Category	Direct Fastening System
System Information Sheet	SIS_DFS-FR 115RE-SS (EN)_230807
Model Name	MB-DFS-DRW-003
URL	https://www.edilonsedra.com

**edilon)(sedra DFS-FR (Direct Fastening System - FR)
type DFS-FR 115RE-SS (track on pedestal)**



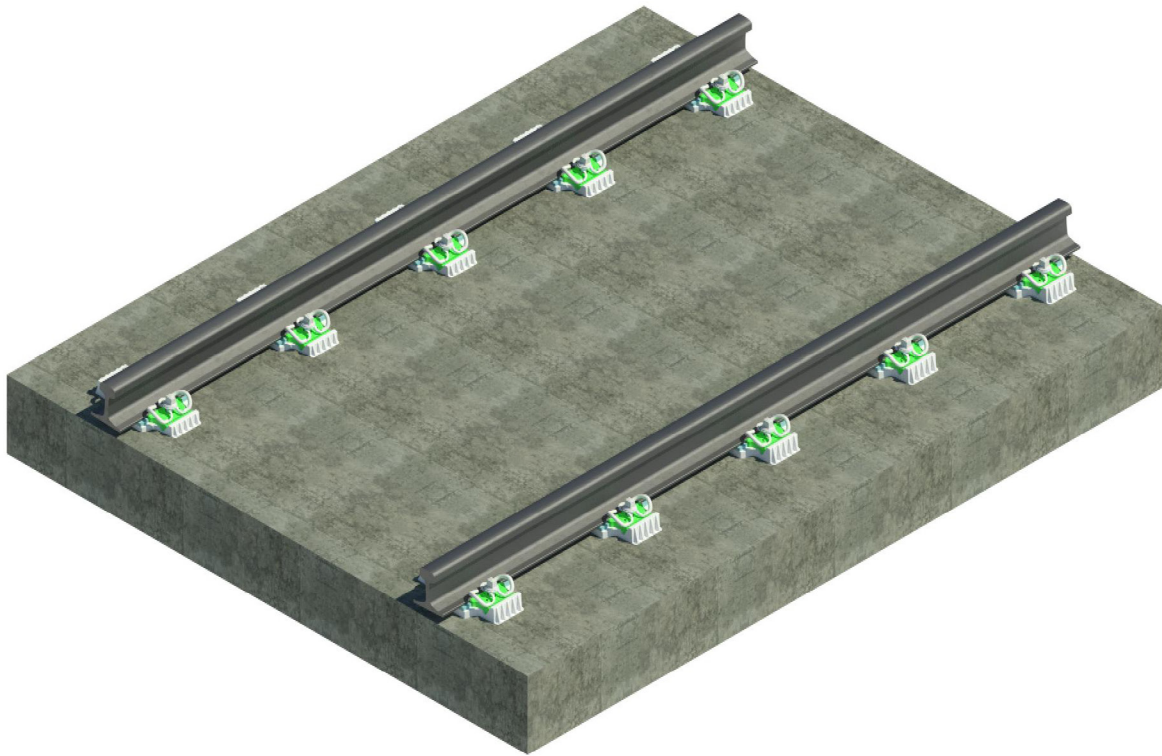
Category	Direct Fastening System
System Information Sheet	SIS_DFS-FR 115RE-SS (EN)_230807
Model Name	MB-DFS-DRW-004
URL	https://www.edilonsedra.com

**edilon)(sedra DFS-GR (Direct Fastening System
- Guard Rail) type DFS-GR 33C1**



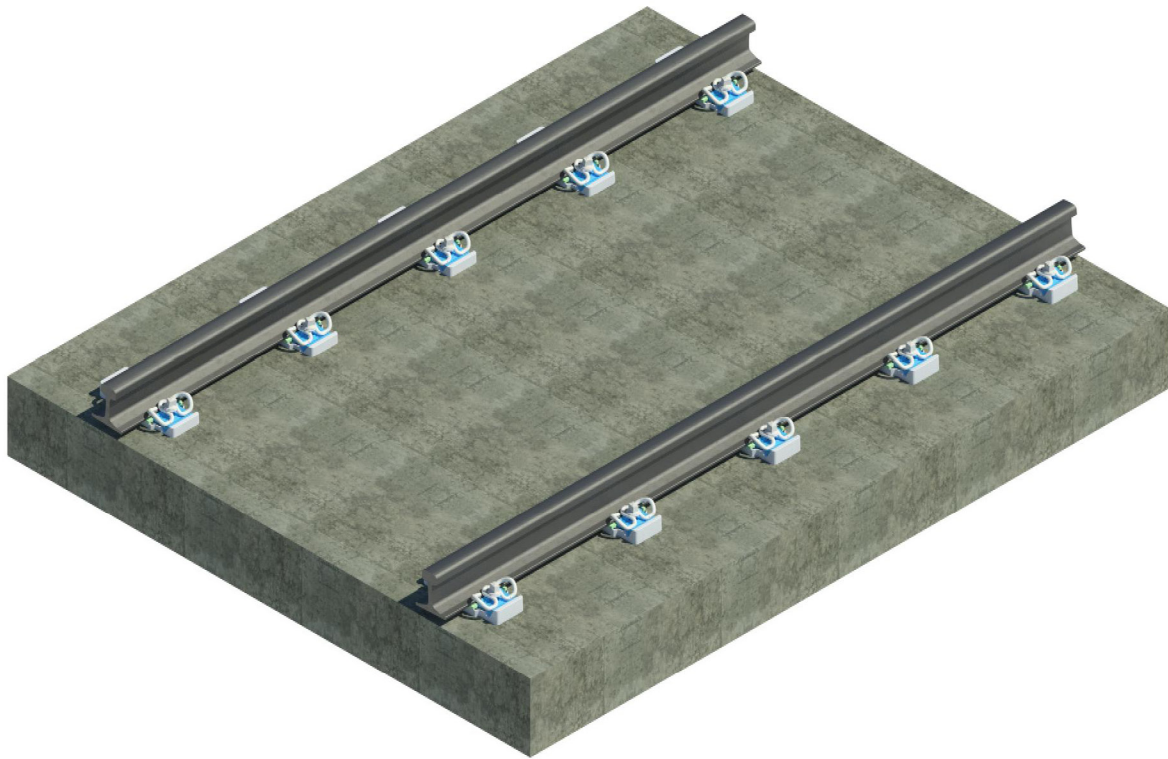
Category	Direct Fastening System
System Information Sheet	SIS_DFS-GR 33C1 (EN)_231007
Model Name	MB-DFS-DRW-006
URL	https://www.edilonsedra.com

edilon)(sedra DFS-PB (Direct Fastening System – Polymer Baseplate) type DFS-PB 54E1-MS 1:20 TZ



Category	Direct Fastening System
System Information Sheet	SIS_DFS-PB 54E1-MS TZ (EN)_231104
Model Name	MB-DFS-DRW-008
URL	https://www.edilonsedra.com

edilon)(sedra DFS-PB (Direct Fastening System – Polymer Baseplate) type DFS-PB 54E1-MS 1:20 TY

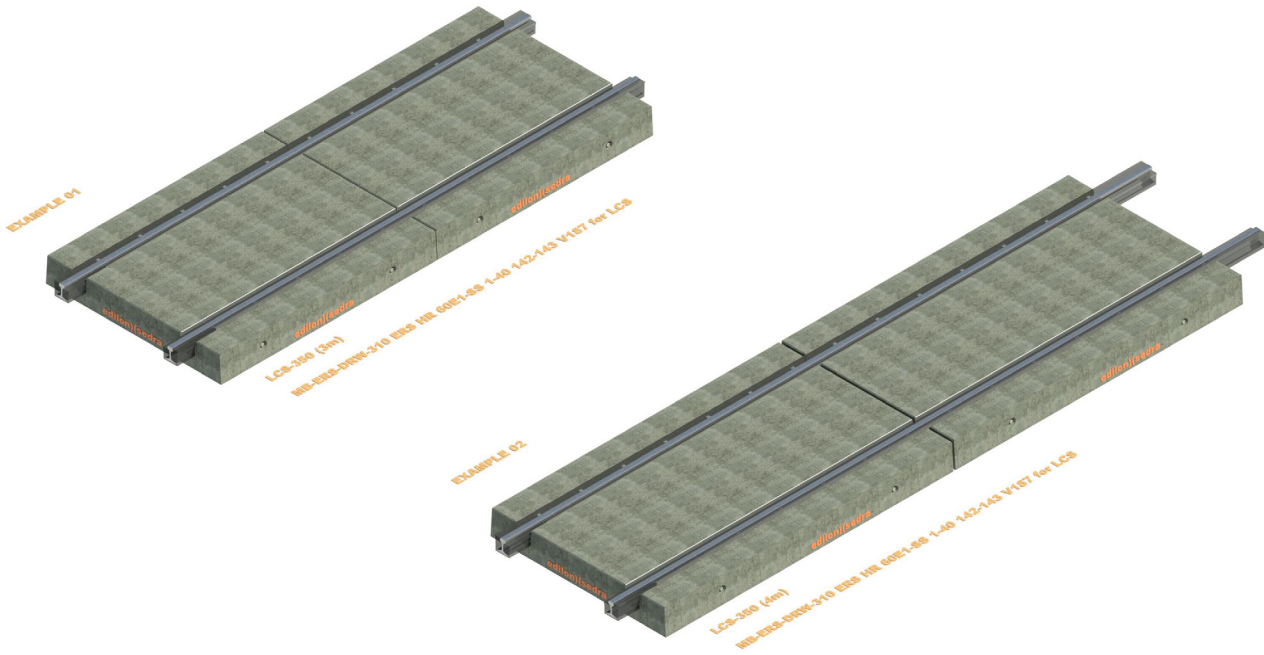


Category	Direct Fastening System
System Information Sheet	SIS_DFS-PB 54E1-MS TY (EN)_231203
Model Name	MB-DFS-DRW-009
URL	https://www.edilonsedra.com

05

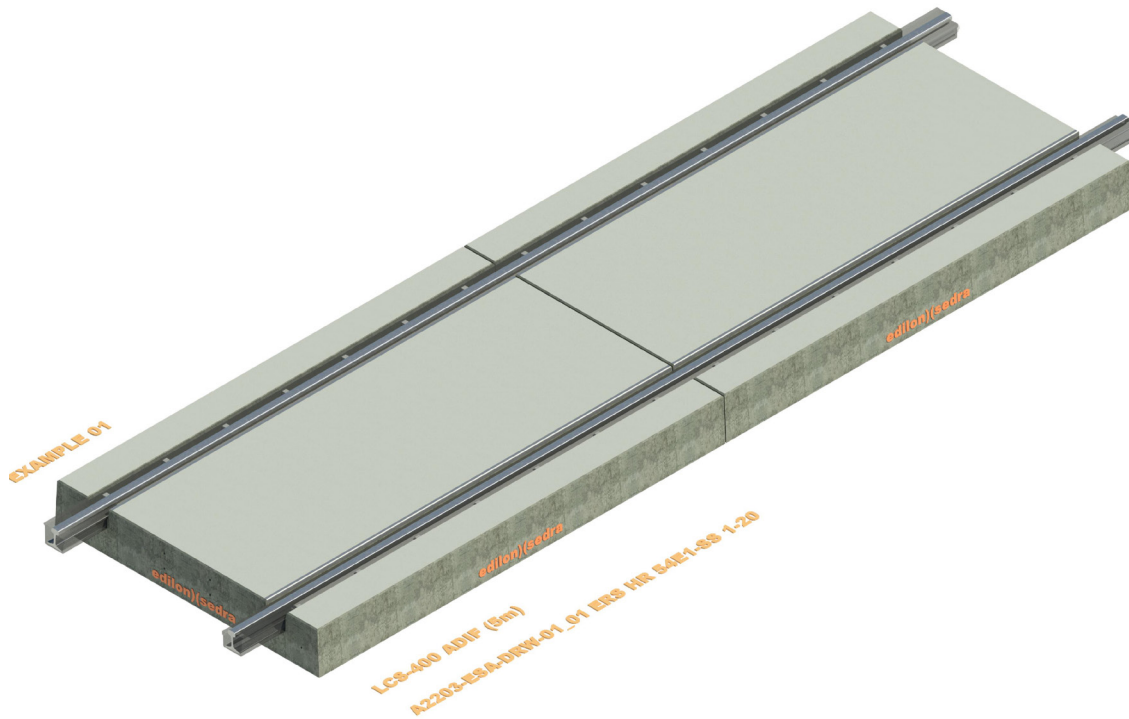
Combined Examples

LCS-350 + ERS EXAMPLES



Category	Combined Examples
System Information Sheet	SIS_Corkelast LCS type LCS-350_200701 rev 00
Model Name	LCS-350 + ERS Examples
URL	https://www.edilonsedra.com

LCS-400 ADIF Example



Category	Combined Examples
System Information Sheet	SIS_Corkelast LCS-400 ADIF_240713 rev 00 (EN) SIS_Corkelast LCS-400 ADIF_240714 rev 00 (ES)
Model Name	LCS-400 ADIF Example
URL	https://www.edilonsedra.com



edilon)(sedra

www.edilonsedra.com