



TRA SNOW & SUN
ROOF ACCESSORY SYSTEMS

800-606-8980 | Sales@trasnowandsun.com

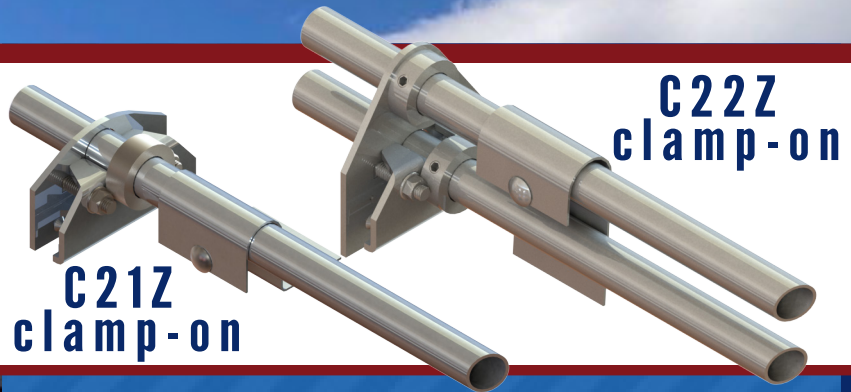
ROOFTOP SNOW RETENTION

 **30** YEARS
ANNIVERSARY



**ENGINEERED SNOW
RETENTION
SOLUTIONS**

STANDING SEAM CLAMP-ON SNOW SOLUTIONS



C2 SERIES



C21Z



C22Z



C23Z



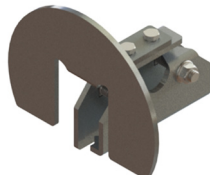
The Clamp-on Snow Fence by TRA Snow and Sun fits many roof profiles using a safe, reliable and attractive design.

Our exclusive attachment system, using under-the-hem clamping and bolting, provides superior strength. Its attractive appearance and proven performance make these Snow Fences ideal for all standing seam projects.

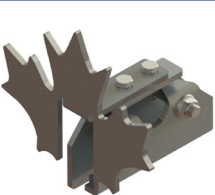
DECOGUARDS



BEAR



MUSHROOM




LEAF



TREE

PRODUCT HIGHLIGHTS

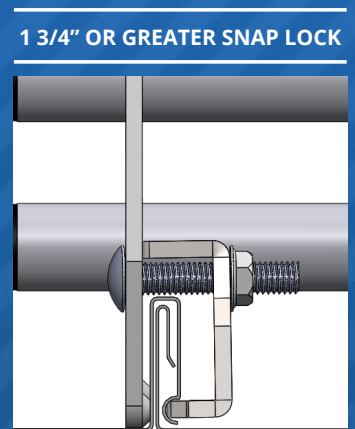
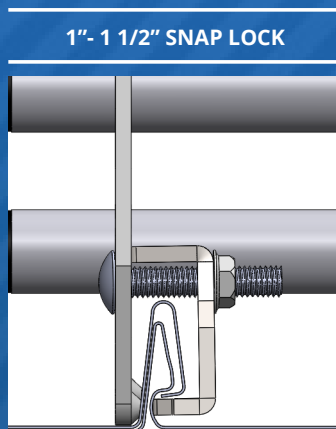
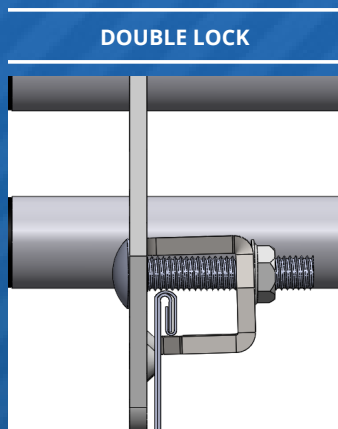
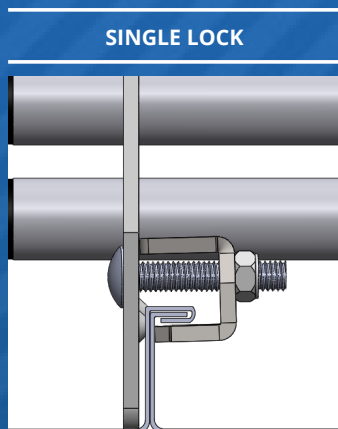
- Easy-to-install
- **Does not penetrate** standing seam panel
- Does not restrict thermal expansion/contraction of the panel
- Firmly **attaches under the hem** to provide superior strength
- Secured with a bolt system to **eliminate sliding, detaching and thread stripping**
- Available in a **one, two or three** tube system
- Two layers of rust protection (zinc plated and powder coated)
- Powder coated for durability and protection from the elements
- Available in standard or custom colors to match panel/roofing color
- **Engineered system**
- Custom layouts provided
- **Manufactured in the USA** 

STRONG | SAFE | RELIABLE

**FENCES CAN BE MANUFACTURED
WITH 1 - 4 TUBES**



CLAMP-ONS ARE DESIGNED TO WORK WITH VIRTUALLY ANY SEAM



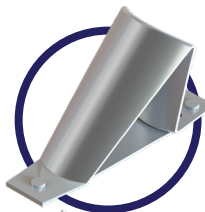
SNOW BRACKETS™

There are many different roof types which in turn means many different Snow Guard Brackets. TRA Snow and Sun knows how important it is to have the proper snow guard bracket for each application. That is why we have a variety of styles and design each system to your roofing needs free of charge.

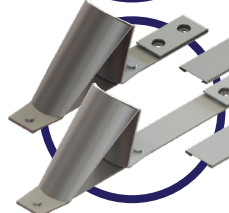


PRODUCT HIGHLIGHTS

- Snow Guard Brackets™ - available for **every roof type**
- **Strength - tested** from the sheathing up
- Most reliable system on the market
- Easily installed on existing and new construction
- **FREE layouts** and technical support
- Innovative creativity and custom designs
- We fabricate and test Snow Brackets™ to specifications
- Available colors to match panel/roofing color
- **Manufactured in the USA** 🇺🇸



H - APEX
RETROFIT FOR
ALL ROOFS



G - APEX (9.5 OR 11.5)
RETROFIT FOR METAL SHINGLES,
WOOD SHAKES, AND WOOD SHINGLES



I - APEX (CREST OR VALLEY)
VALLEY OR CREST BENDS FOR
CORRUGATED METAL ROOFS



F - APEX
NEW CONSTRUCTION WOOD SHAKE,
SLATE, SIMULATED SLATE, OR SHAKE



D - APEX
NEW CONSTRUCTION SIMULATED SLATE
OR SHAKE, AND ASPHALT SHINGLES

DECK MOUNT SNOW FENCE

INSTALLED INTO
RAFTER | TRUSS | SHEATHING

Deck Mount Snow Fences are heavy-duty snow retention devices that provide continuous protection using rails, bars, or tubes.

Deck Mount Snow Fences are used when increased height is needed for avalanching protection

Deck Mounts are used to ensure that snow remains more evenly distributed so as not to overload any one point of the roof

Deck Mount Snow Fences are aesthetically appealing and provide superior strength and reliability

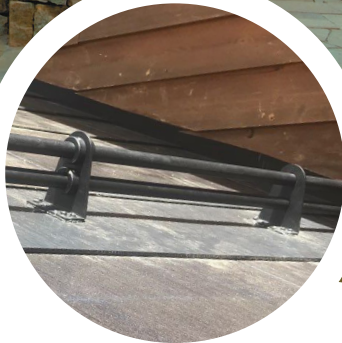
Deck Mount Snow Fences can be manufactured with 1 - 4 tube height systems



T-1 TILE MOUNT
NEW CONSTRUCTION
FOR CLAY/CONCRETE TILE



SINGLE PLY 2
NEW CONSTRUCTION
FOR MEMBRANE ROOFS



SNOW BLOCKER 2
RETROFIT
FOR MOST ALL ROOFS



D2HL CORRUGATED
RETROFIT
CORRUGATED METAL



ENGINEERED SNOW RETENTION SOLUTIONS

SHEET INDEX

- CP - Cover Page
- SR- Snow Retention Sheets
- DT- Detail Sheets

GENERAL NOTES

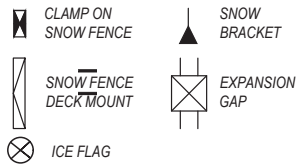
SNOW RETENTION

1. Snow Bracket / Snow Fence layout has been engineered for this specific roof application. Any deviation from the prescribed layout will void the product or system warranty.
2. Install Snow Brackets / Snow Fence per specifications and details provided by TRA Snow and Sun. Installer is responsible for the correct installation of all snow retention system components.
3. Installer shall check existing job site conditions and dimensions prior to installation. Installer shall report any discrepancies or conflicts to TRA Snow and Sun prior to commencing work.
4. Drawings and quotes are based upon information provided by the customer to TRA Snow and Sun. TRA Snow and Sun is not liable for any information that is found to be incorrect or false.
5. Any snow bracket quantity shown is for estimating purposes only and is based on the calculated number of snow brackets per roofing square. Installer is responsible to verify proper snow bracket quantity based on actual number of roofing squares.
6. All structures are to be checked for code compliance by the customer.
7. Once every two years, check torque of the snow fence carriage bolts and locking nuts, making sure 30 foot pounds of torque is still applied. Once every year perform visual inspection.

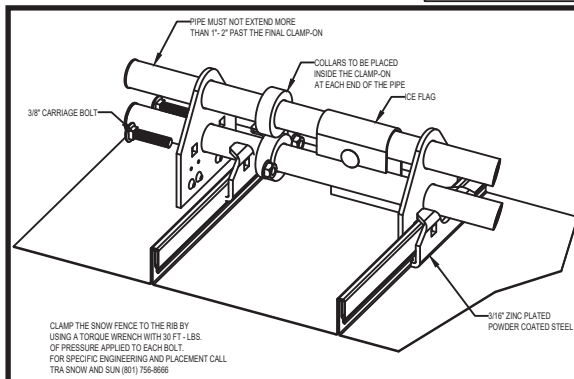
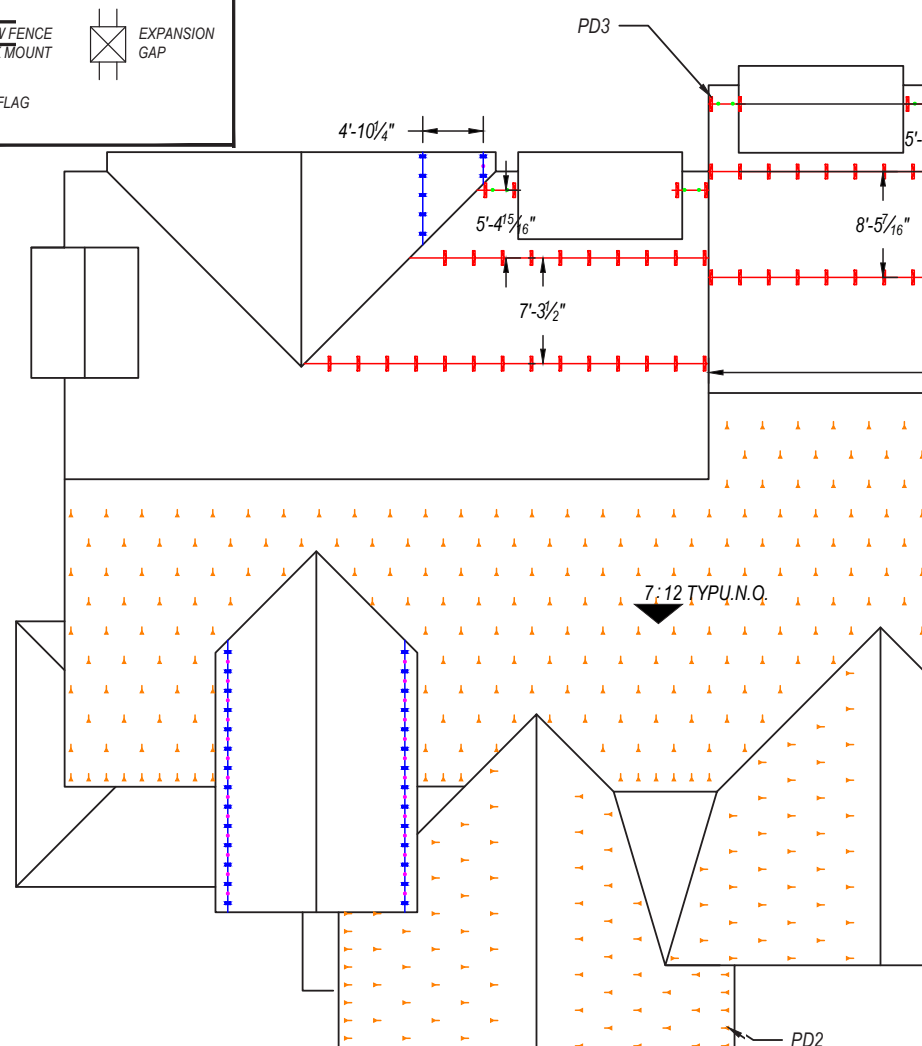
DISCLAIMERS

- A. These drawings are the property of TRA Snow and Sun and any reuse or further distribution thereof in part or in whole without written consent from TRA Snow and Sun is prohibited. Drafter is not an architect or engineer.
- B. Any change to this layout will result in the need for additional parts and costs above the original quote. Any additional part costs will be paid by the client and are not the responsibility of TRA-Snow and Sun.

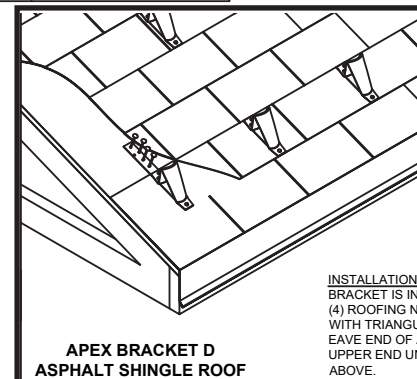
PLAN LEGEND



1 SNOW RETENTION PLAN
 $3/32" = 1'-0"$



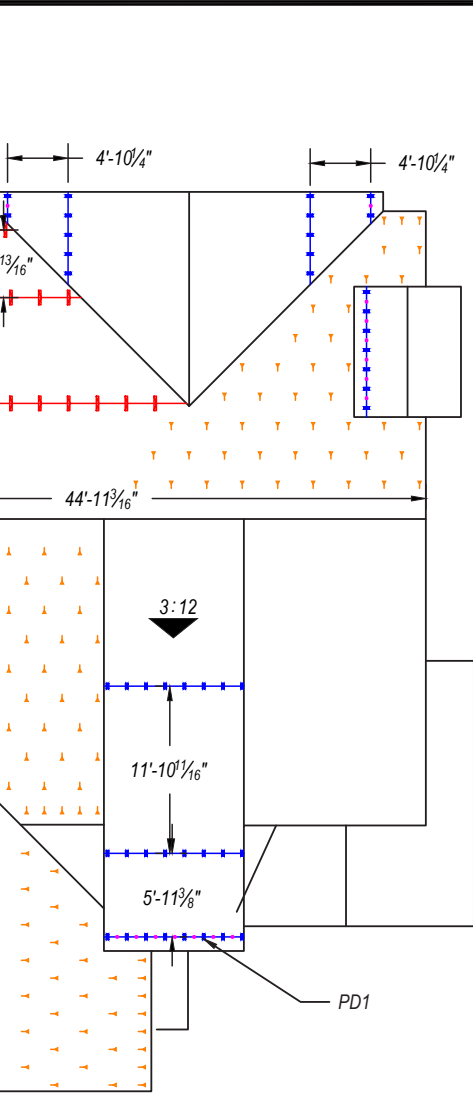
PD1 C22 SNOW FENCE
NO SCALE



PD2 D APEX SNOW BRACKET
NO SCALE



SNOW RETENTION



SNOW RETENTION PART SCHEDULE

PART / DESC	QTY
D APEX SNOW BRACKET	450
C22 CLAMP-ON	84
CLAMP-ON PIPE L=10'	21
CLAMP-ON CAPS/COLLARS	48
D2HL DECK MOUNT	60
DECK MOUNT PIPE L=10'	23
DECK MOUNT CAPS/COLLARS	32

***RECOMMENDED PART SCHEDULE**

PART / DESC	QTY
ICE FLAG (1 @ EACH SPACE)	44
ICE FLAG (2 @ EACH SPACE)	8
3/8" LAG BOLTS OR 1/4" SDS SCREWS	240

*TRA RECOMMENDS THE USE OF ICE FLAGS FOR ROOFS WITH A SLOPE UNDER 2:12, A SEAM PROFILE OF 1" OR GREATER, AND SNOW LOADS OF 30 PSF OR LESS. RECOMMENDED TO BE INSTALLED ON EAVE COURSES.

CLIENT PROVIDED INFO

BRACKET TYPE:	D APEX
DECK SHEATHING:	5/8" OSB
VERTICAL EXPOSURE:	5 5/8"
HORIZONTAL EXPOSURE:	N/A
CLAMP-ON TYPE:	C22
PANEL WIDTH:	16" O.C.
RIB HEIGHT:	1"
SEAM TYPE:	SNAP LOCK
DECK MOUNT TYPE:	D2HL
MOUNT SPACING:	24" O.C.
ROOFING MAT'L:	STD SEAM / SHINGLES
GROUND SNOW LOAD:	175 PSF

PROJECT LABELS

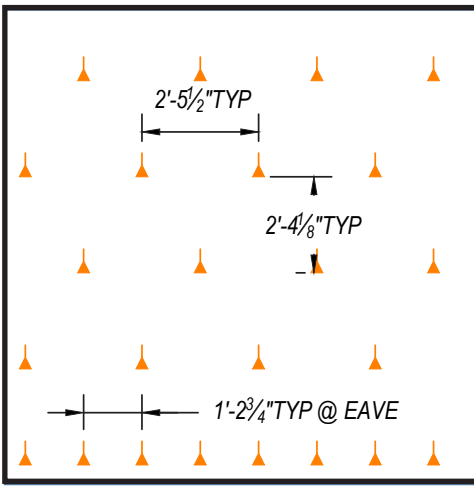
- PD1: C22 CLAMP-ON (SEE DT1.0 PAGE)
- PD2: D APEX SNOW BRACKET (SEE DT1.0 PAGE)
- PD3: D2HL DECK MOUNT (SEE DT1.0 PAGE)

PROJECT NOTES

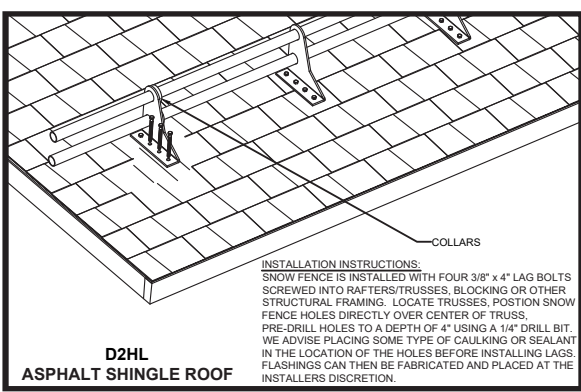
- ALL C22 SNOW FENCE EAVE COURSES TO BE INSTALLED 12" FROM EAVE U.N.O.
- ALL APEX SNOW BRACKET EAVE COURSES TO BE INSTALLED 5 5/8" FROM EAVE U.N.O.
- ALL D2HL SNOW FENCE EAVE COURSES TO BE INSTALLED 18" FROM EAVE U.N.O.

ABBREVIATIONS

- PD - PROJECT DETAIL
- LD - LAYOUT DETAIL



LD1 D APEX SNOW BRACKET LAYOUT DETAIL
1/4" = 1'-0" 17.3 BPS 7:12 SLOPE



PD3 D2HL DECK MOUNT
NO SCALE

TRA SNOW & SUN
ROOF ACCESSORY SYSTEMS
1657 South 580 East American Fork, UT, 84003
Ph: 800.606.8980 | Em: info@trasnowandsun.com | trasnowandsun.com

REVISIONS

REV#	DATE	DESCRIPTION

RELEASED FOR ESTIMATION DATE: 2/10/23

STAMP
3/1/2023

DRAWN BY:
APPROVED: CHK'D

CP1.0
SHEET 1 OF 3
March 1, 2023



TRA SNOW & SUN
ROOF ACCESSORY SYSTEMS

800-606-8980 | Sales@trasnowandsun.com

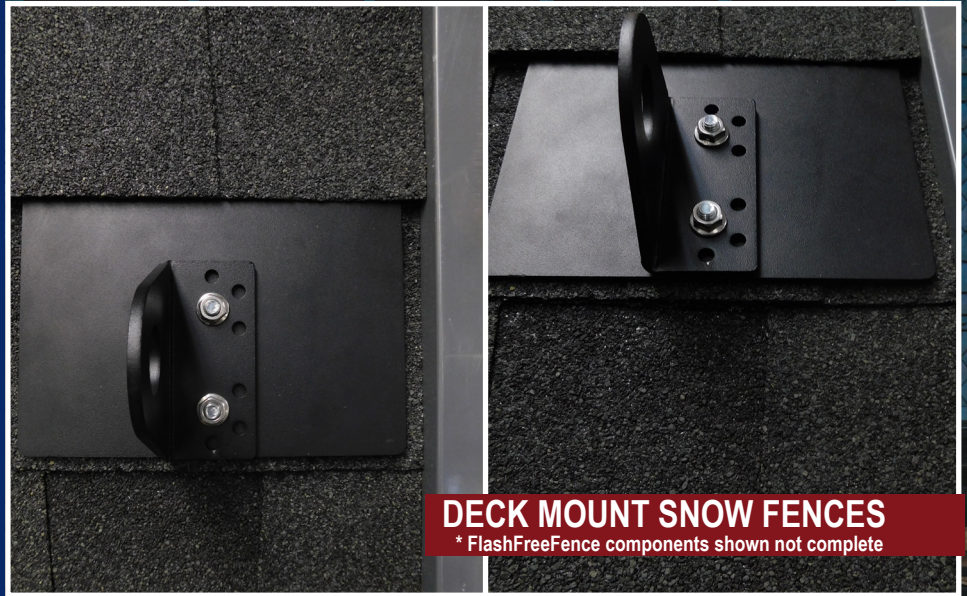
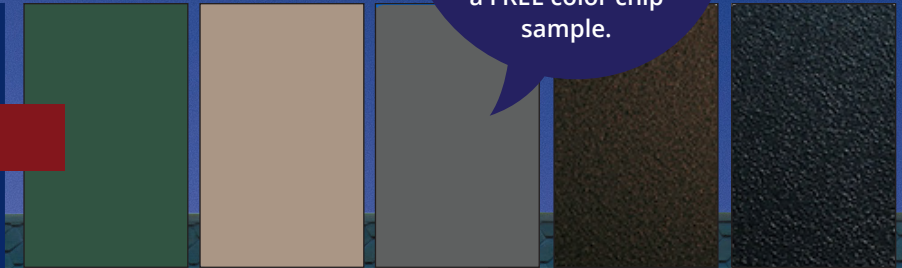
TRA Snow and Sun powder coats their products in-house.

Want a perfect match? Ask to have a FREE color chip sample.

ROOFTOP SNOW RETENTION

QUALITY SERVICE

- Products available for nearly every roof type
- **Superior strength** tested from the sheathing up in the field and in our testing facility
- Most reliable system on the market
- Easily installed on existing and new construction
- Made from recycled material
- Simple installation with videos on Youtube
- **Free warranted designs** and technical support
- Innovative, creative and custom designs
- Quick turn-around for custom jobs
- Fabricates and tests custom products to specifications
- **USA Manufactured** 



DECK MOUNT SNOW FENCES

* FlashFreeFence components shown not complete



Snow Retention
Questions?
Contact Us!

www.TRAsnowandsun.com

Manufactured by © TRA Snow and Sun, 2023

CLAMP-ON SNOW FENCES

SNOW GUARD BRACKETS