



pod





Advantis Pod

The Advantis series, a global benchmark in technical furniture, now adds a new modular console designed specifically for projects requiring high equipment density. Pod combines the design, quality and durability of Advantis with an enhanced storage capacity to ensure maximum operability in 24/7 critical environments.



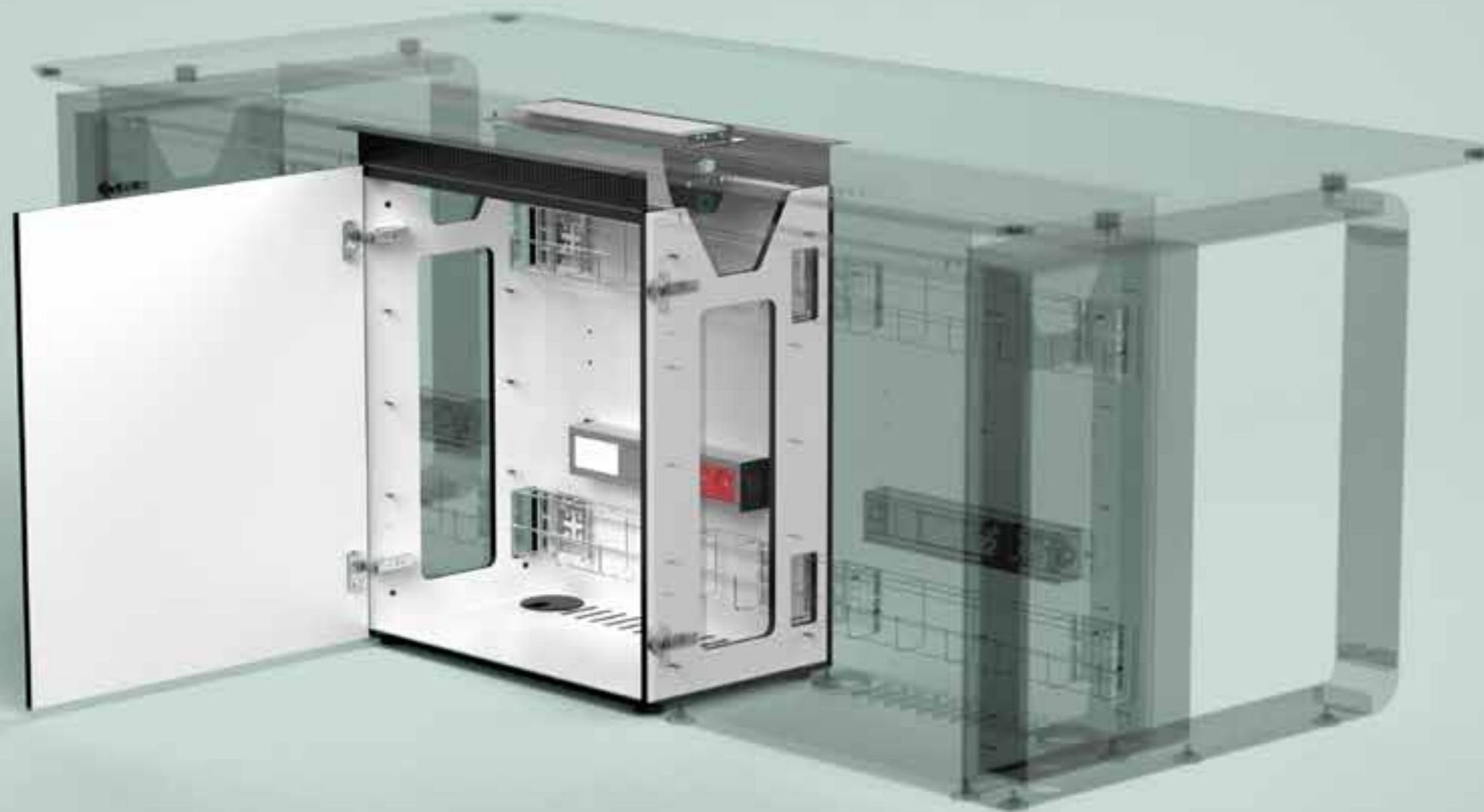
Streamlined optics

The successful design of the Advantis series can be appreciated in the lightweight side pieces, made from aluminium profiles and with the work surface distanced from the structure to deliver these streamlined optics that maintain a perfect balance between design and functionality.

Structurally robust

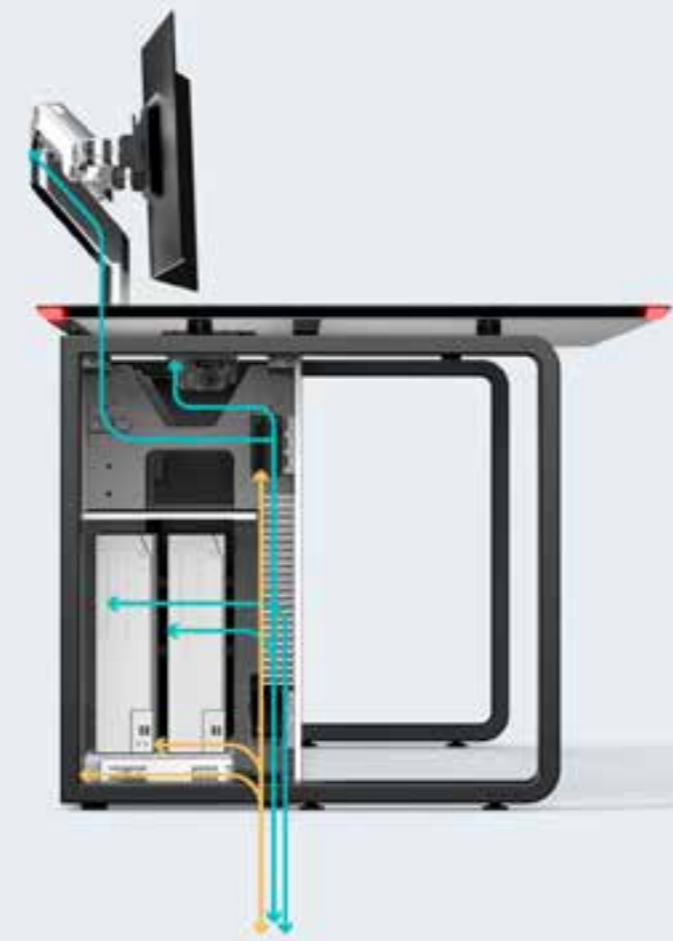
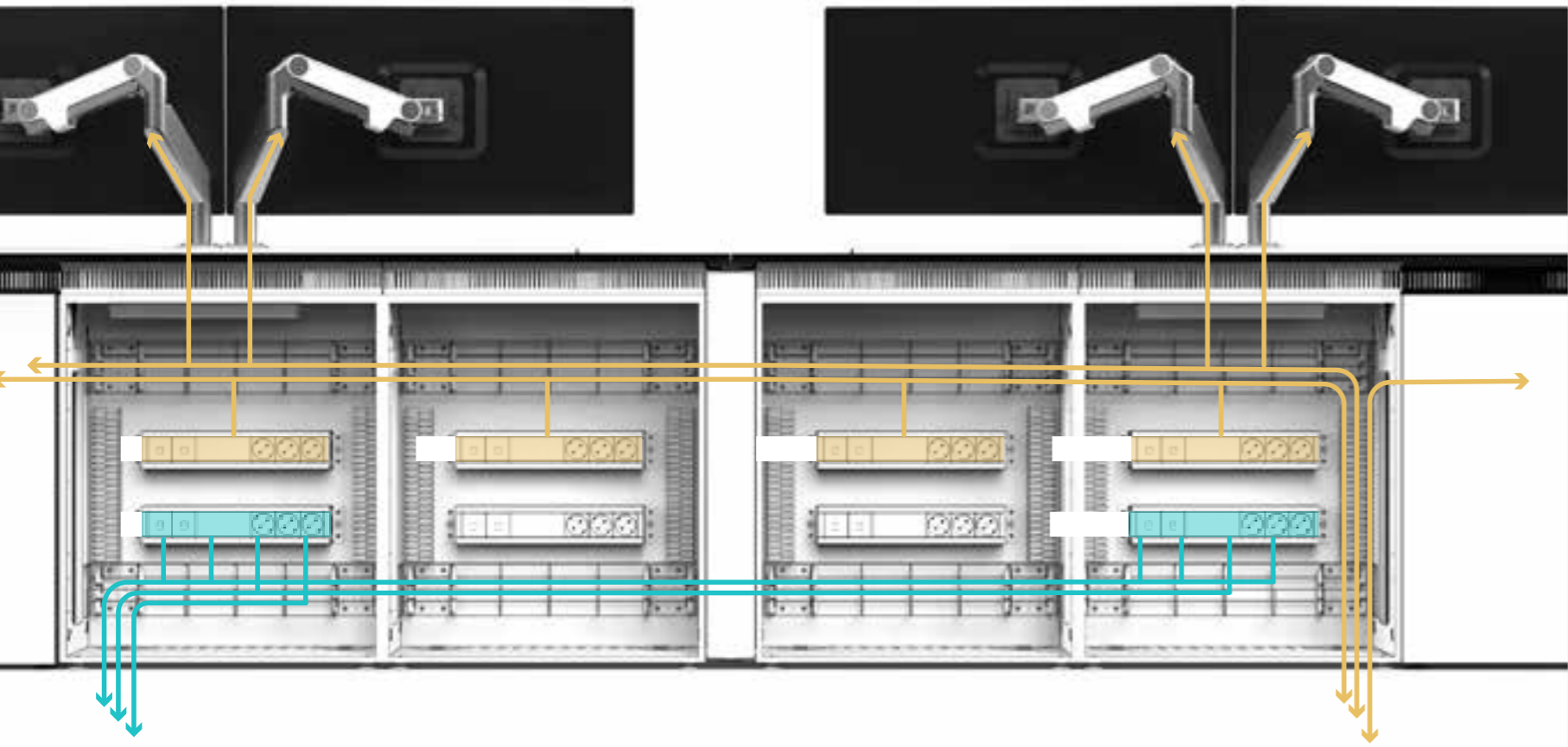
Advantis Pod features closed compartments integrated in the structure for maximum solidity and resistance, letting you comfortably and simply manage computer equipment, wiring and connections.





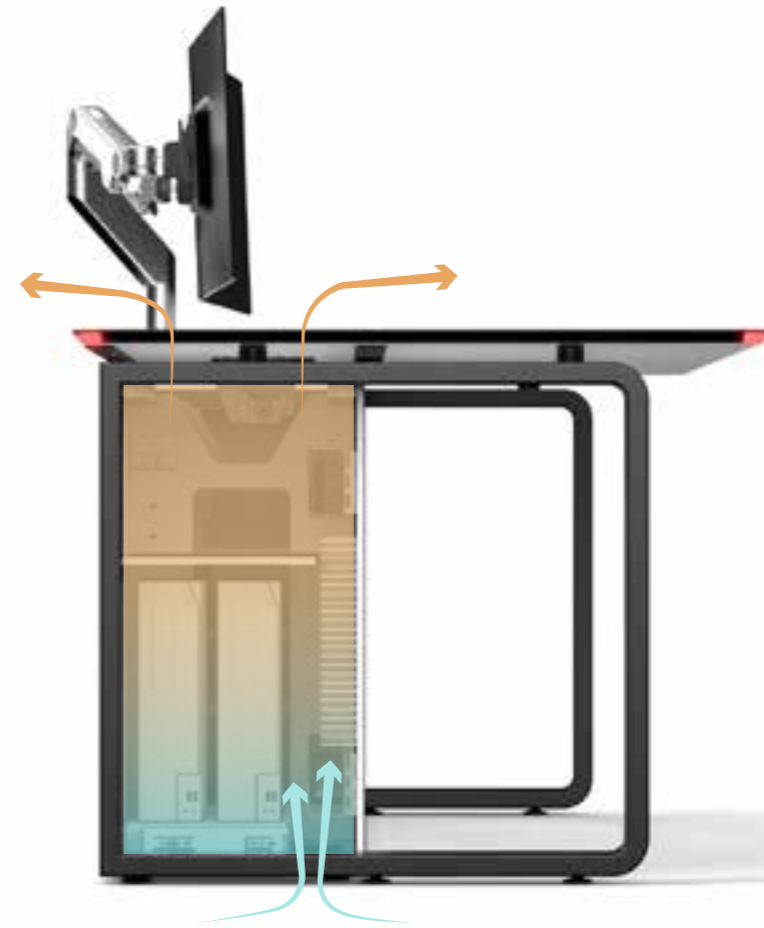
High equipment density

The technical compartments of Advantis Pod facilitate integration with a large number of terminals and wires, guaranteeing maximum functionality. The extensive range of available accessories lets you fully pivot each compartment to individual project and user requirements, ensuring best-in-class operability for the control position.



Wiring

The compartments are integrated in a dual cable tray system to insulate data energy. There is also an open structure to feed wires in from the side, stepping up ease of equipment installation and maintenance.

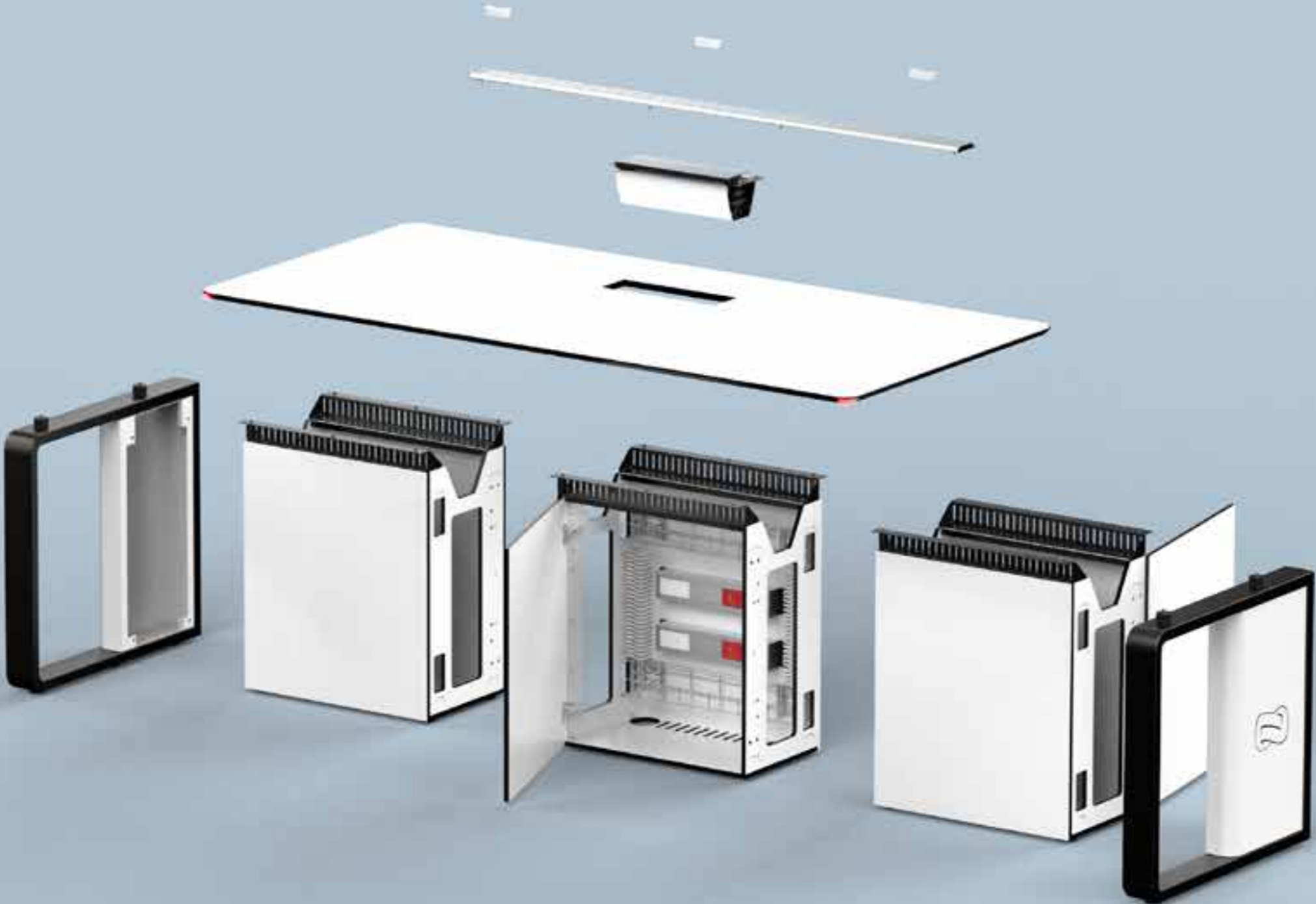


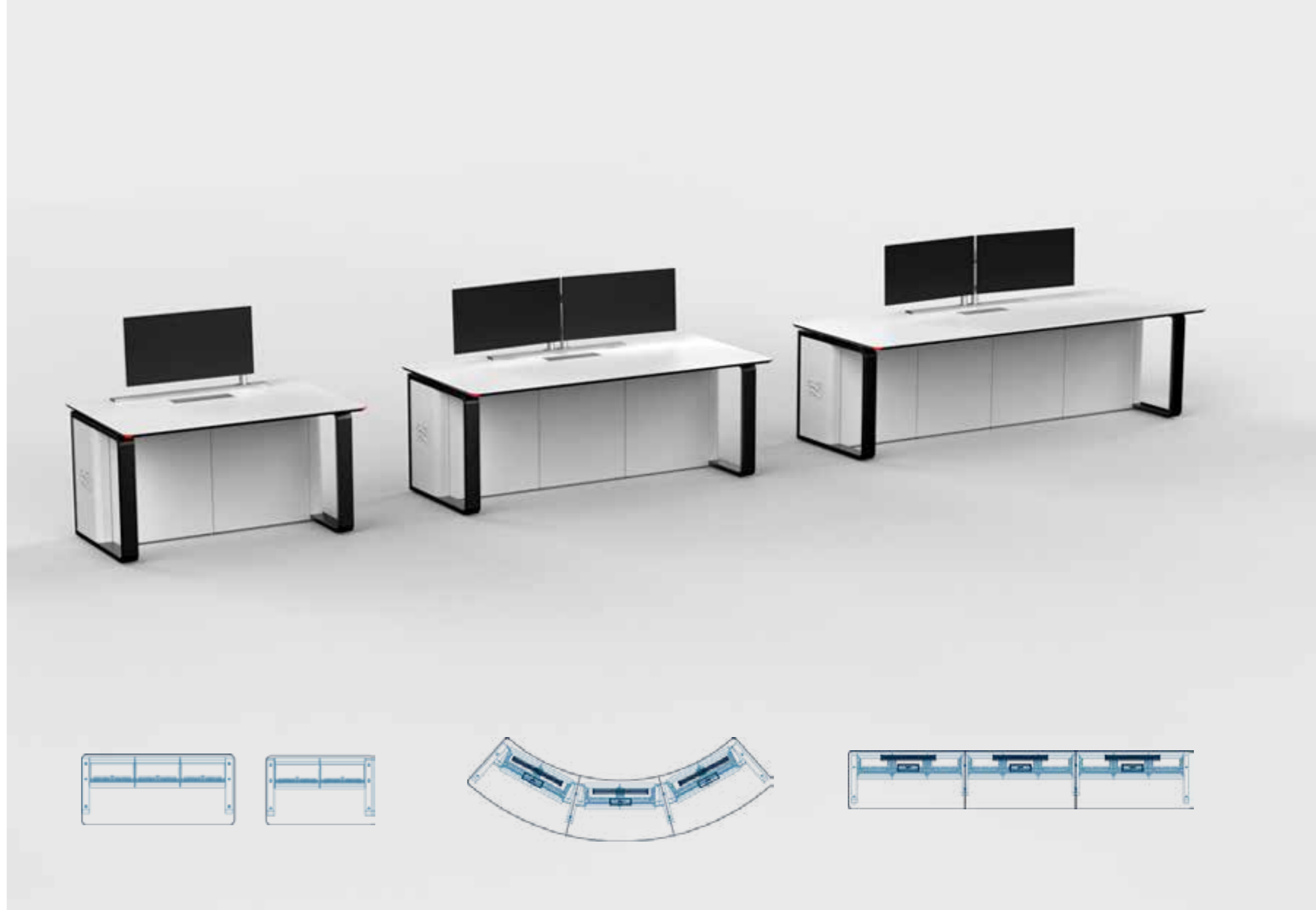
Ventilation

All the compartments include multiple passive ventilation areas to ensure proper outdoor-indoor air flow, clearing the hot air mass and keeping the equipment in optimal operating conditions.

Modular design

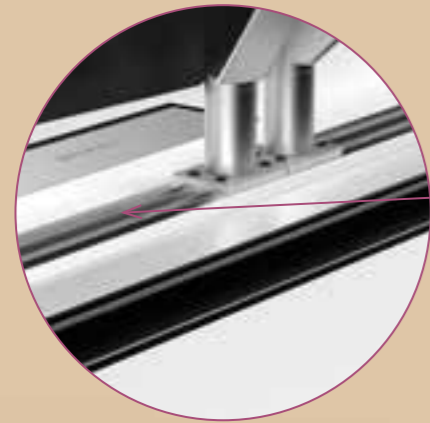
Advantis Pod has been designed as a modular platform with a compartment-based structure that powers numerous setups, from individual consoles of different lengths to curved, double-sided and height-adjustable arrangements.



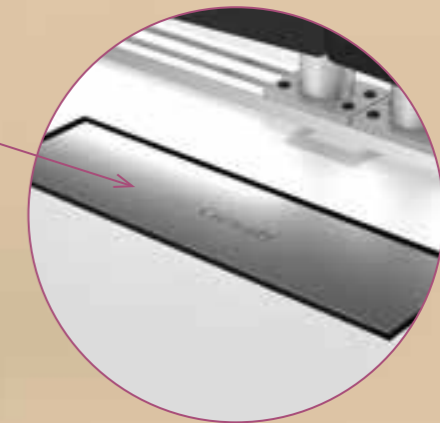


Ergonomics

Advantis Pod enables easy, convenient operator access, always upholding absolute control over the work position.



The WiRail ExtraFlat adjustable linear solution permits the integration of ergonomic arms and monitors to fully leverage visual ergonomics.



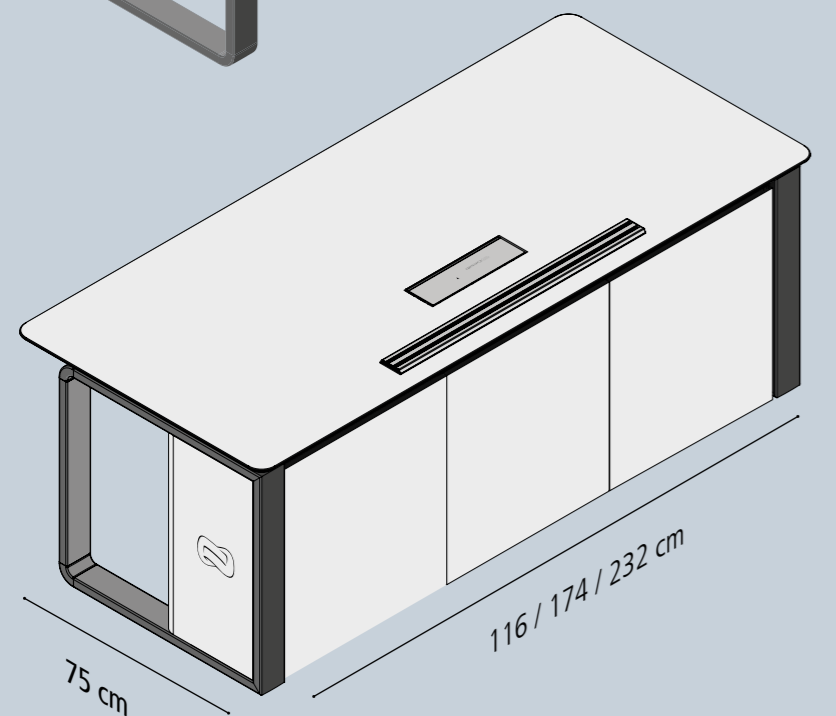
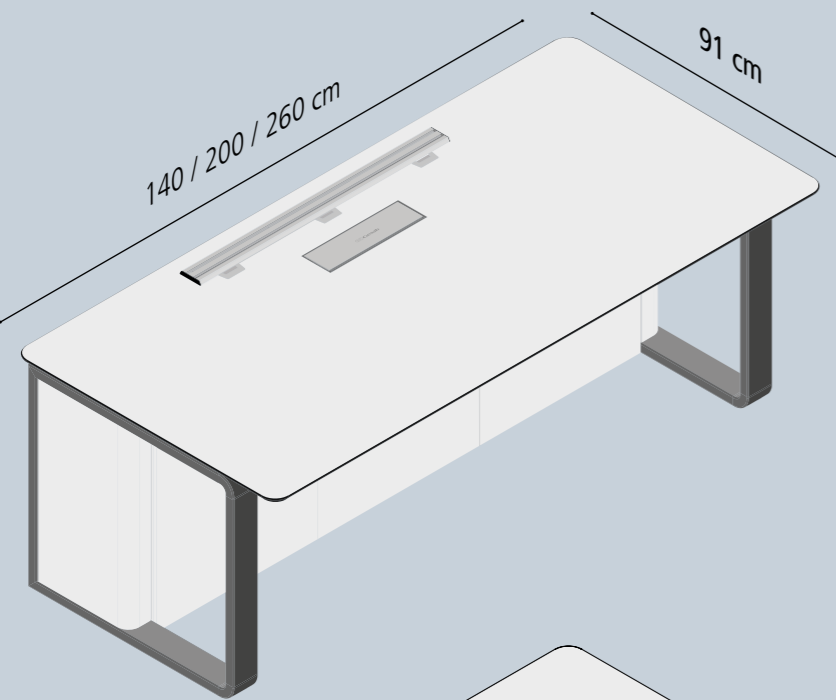
The PersonalDock connections area integrated in the work surface gives the operator a private space to prevent interference with the core control tasks.

Customisation. Materials and finishes

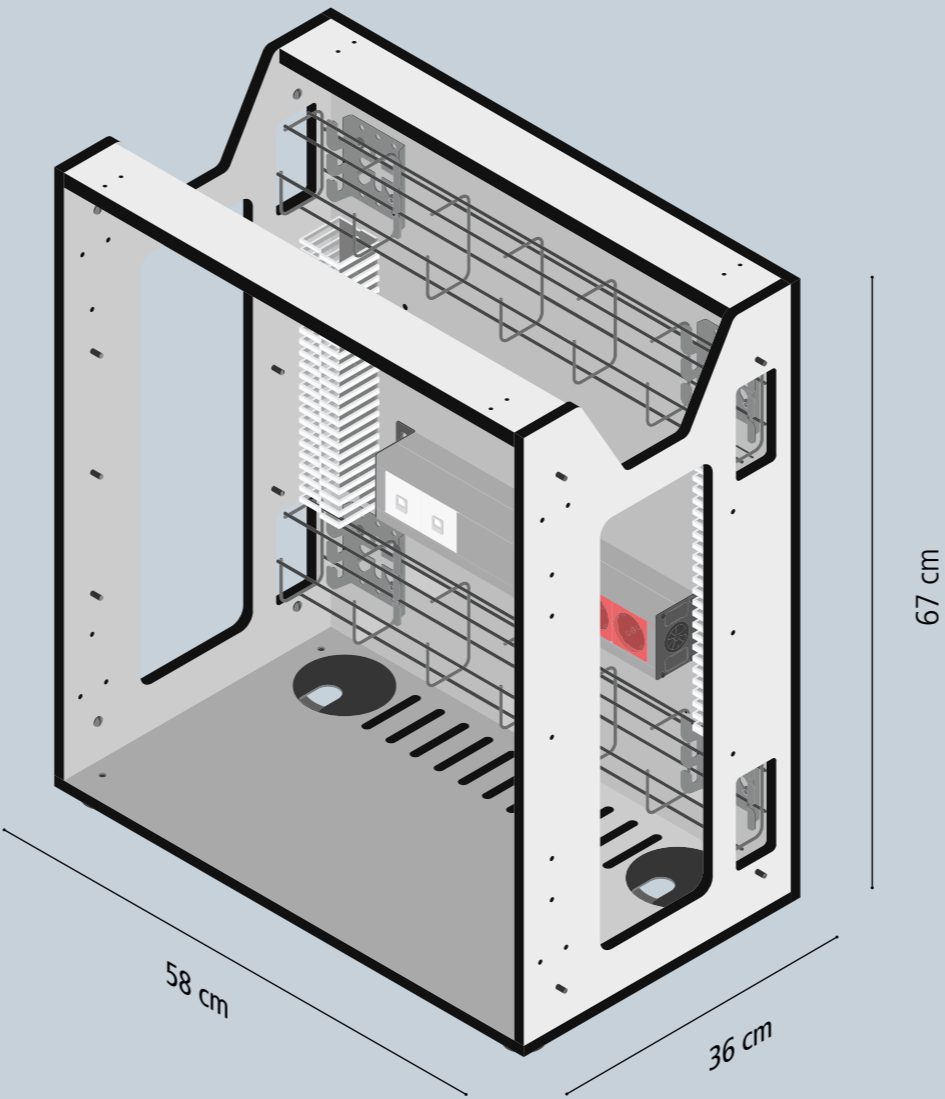


Each GESAB project is unique and unrepeatable. Customisation and corporate adaptation is a critical element in delivering the best possible result.

Dimensions



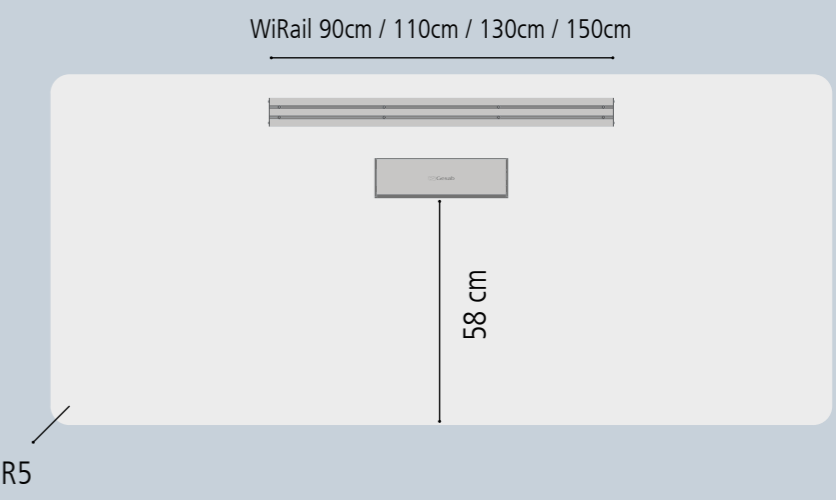
"Draw" module



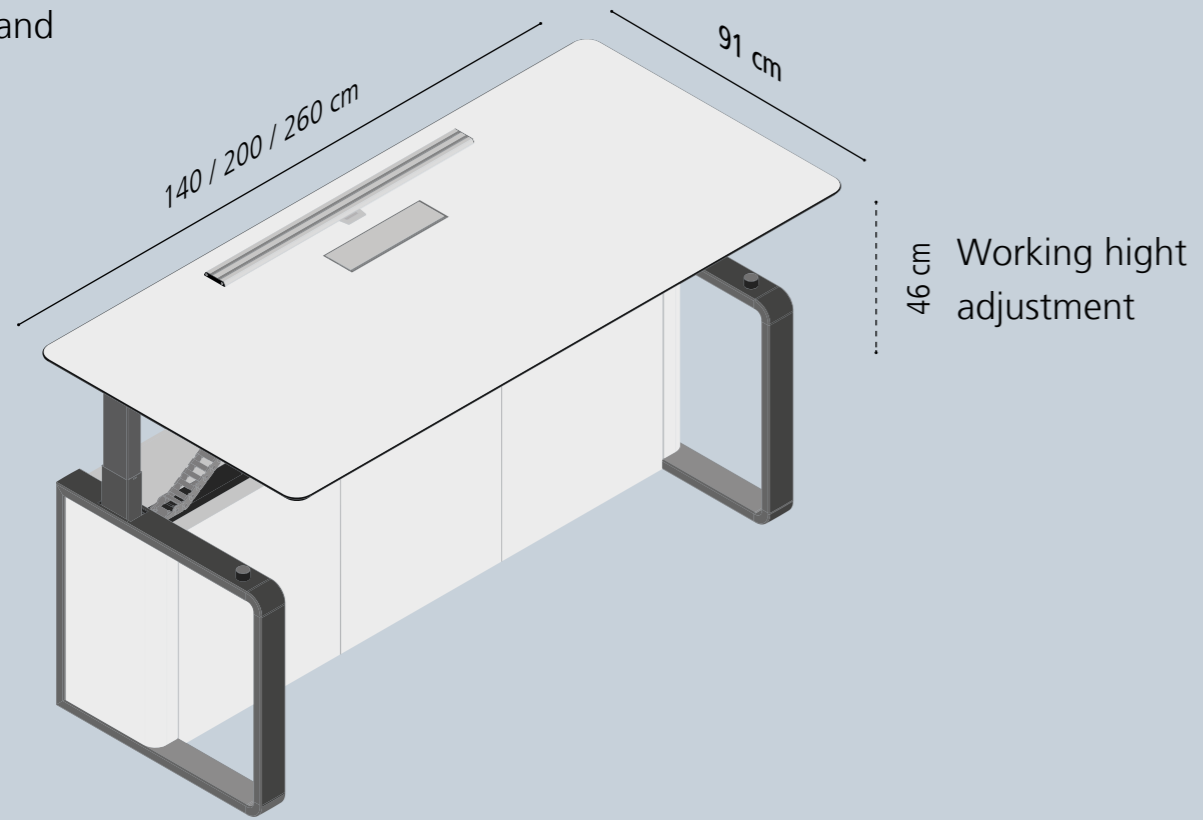
Front View



Plan View

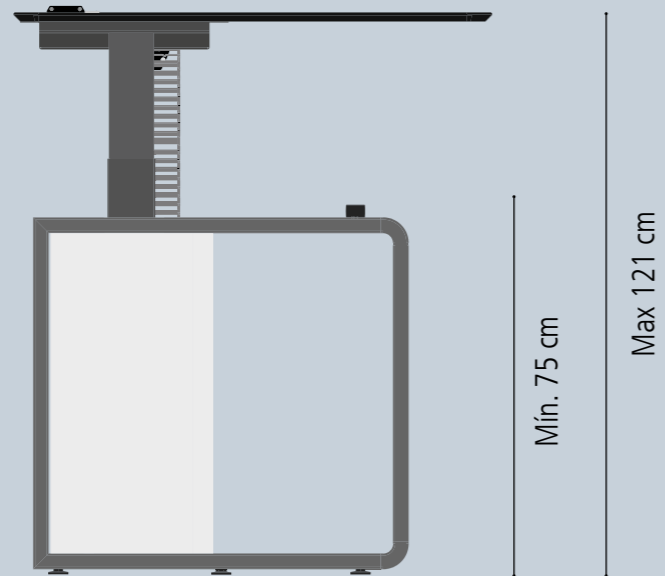


Sit & Stand

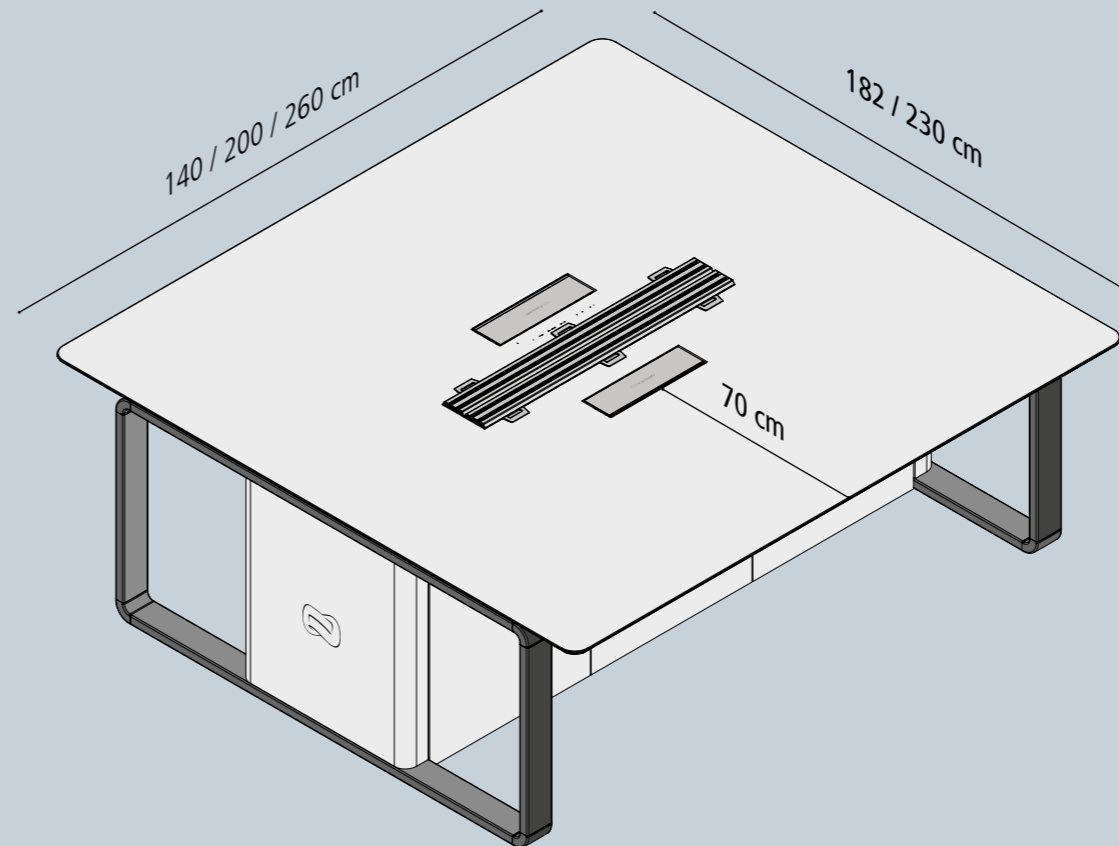
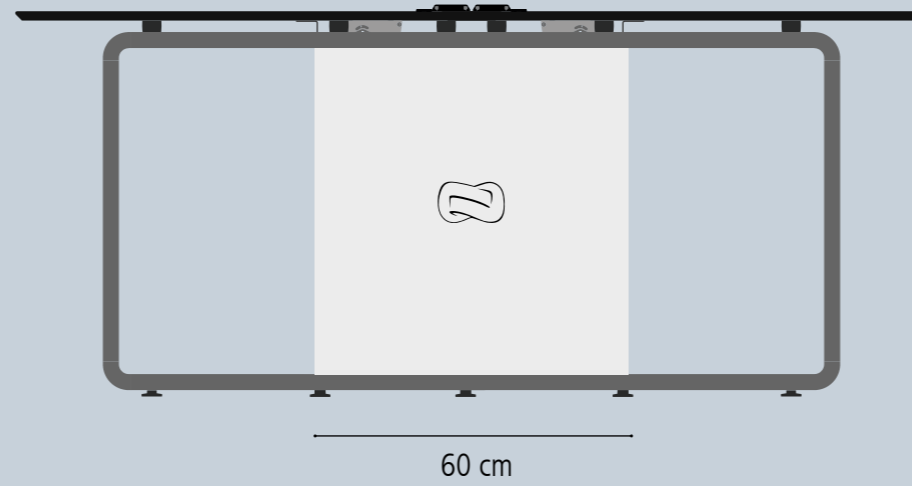


Technical features Column:

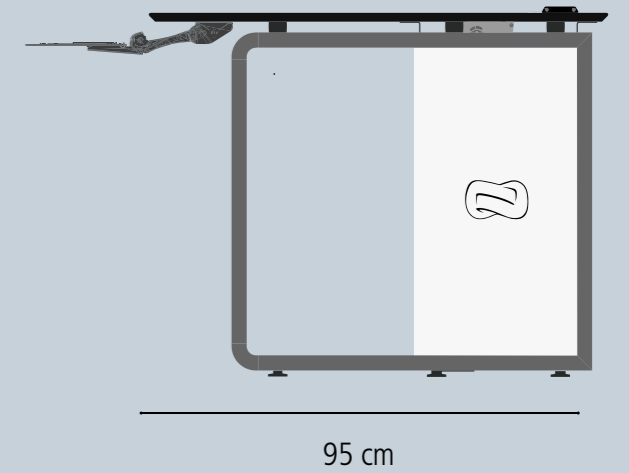
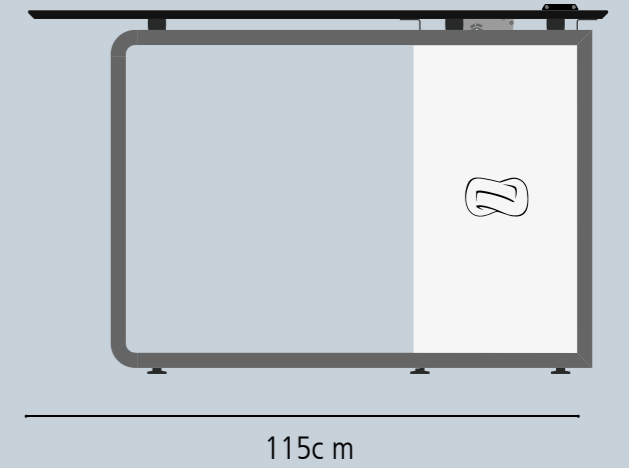
Speed: 38 mm/sec
 Max power: 700 N
 Distance: 460 mm



Two sided setup



UNE EN 527





Control GESAB

Barcelona

938 427 050
Avda del Mogent 68
08450 Llinars del Valles

Madrid

915 345 064
C/ Marzo 61-67
28022 Madrid

Mexico City

+52 55 1997 0746
Homero #1205 Piso 3
Ciudad de México 11550

Atlanta

+1 404 990 3748
3020 Business Park Drive
Norcross, GA 30071 USA

Bogotá

+57 1 2185459
Carrera 13 # 96 - 67
Bogotá, Colombia

Dubai

971 555 528 390
Al Quoz 1
Dubai, UAE

International

+34 915 345 064
C/ Marzo 61-67
28022 Madrid

gesab.com

info@gesab.com