

ACTEA
SERIES



ACTEA
DESIGN MEETS TECHNOLOGY



Welcome to the future



ACTEA ATC

Global integration. A console designed without limits where the operator's needs are met with new solutions.



ACTEA MISSION

Perfect balance between design and technology. Discover its extraordinary functional dynamics.



ACTEA SLIDE

Minimalism becomes form. Its design masks the latest in Innovation to create the definitive console.



ACTEA, concept of space



S

The SMALL console is based on a minimalist design of simple lines and a concentrated beauty, whose strength is in its interior.



M

The MEDIUM concept represents the perfect balance between an innovative design and its great versatility to adapt to any requirement.



L

The LARGE option, with maximum integration capacity. A console designed to offer the highest density of equipment per console on the market.



Unlimited frame

Our best series of closed consoles ever created with last generation materials. At GESAB we have developed technology with the longest structural system on the market and amazing adaptability. A philosophy that reflects its character.



Our commitment, moving forward

The ACTIVE Control philosophy is implemented in the DNA of the new ACTEA Series to offer users a new way of understanding their work space; more dynamic, enjoyable and collaborative. Thanks to the adaptability of the consoles and the Sit & Stand system, operators can enjoy spaces with the best benefits. Ergonomics and health present at control centres like never before.



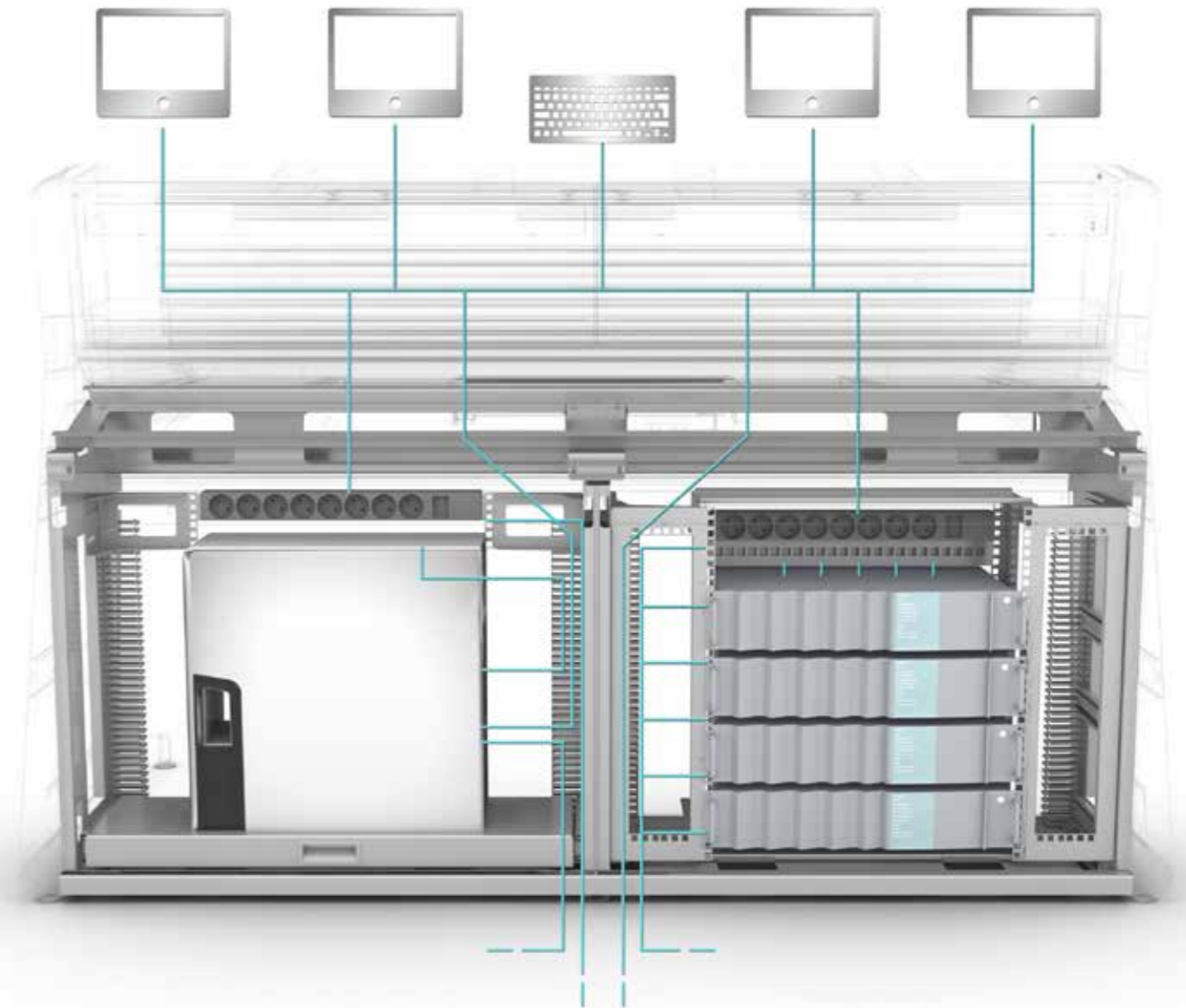


Created to convince

Discover a design that speaks a new language, dynamics that leave their mark to meet the highest requirements, where users are the protagonists and ergonomics is taken to the extreme.

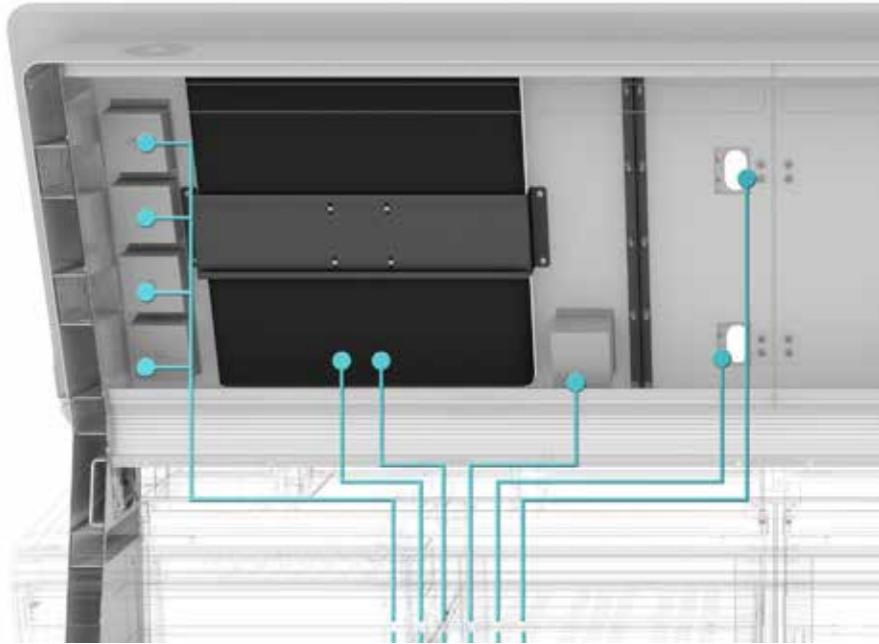
Now, with no limits

A step beyond. A new way of understanding the elements and how they can be connected simply to each other.
An intuitive design that enables the development of consoles with large storage capacity by optimising to the maximum the space available.



Free Wall, dynamic language

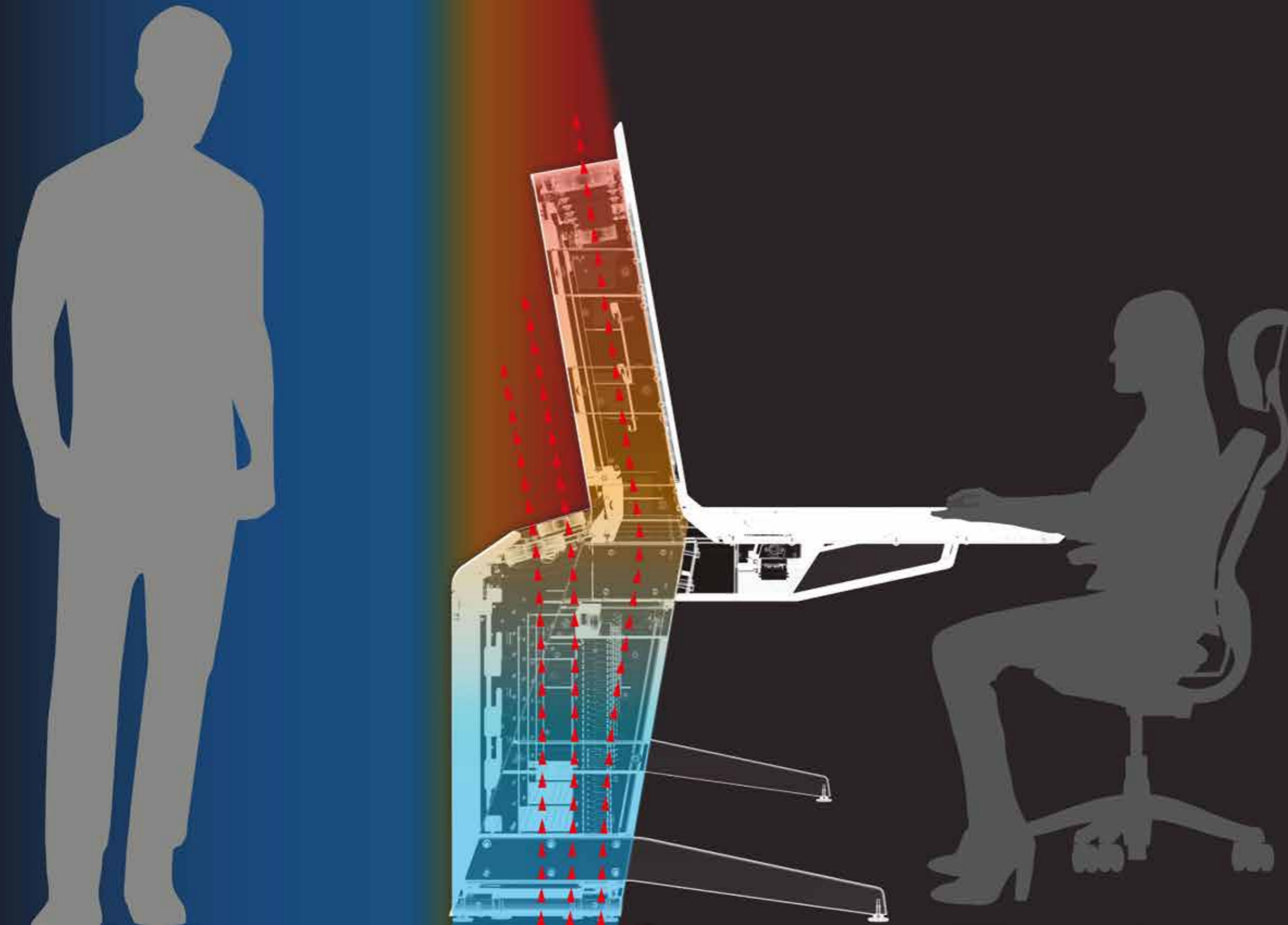
The Free Wall of ACTEA ATC enables a customised space to be created on the front dashboard. The almost endless configurations invite users to play and offer the operator a unique experience.



Airflow System

Thanks to the Air Flow system of the ACTEA Series, the equipment maintains an appropriate temperature to guarantee its optimal operation.

The system of ultra-silent ventilators is designed to extract air without affecting the equipment, adjacent consoles or users. A potent, innovative design for the latest technology in control consoles.



ACTEA ATC

A global integration concept.
A new way of understanding control consoles
in which the operator's needs are met using
unique solutions. A console designed to amaze,
with no limits.





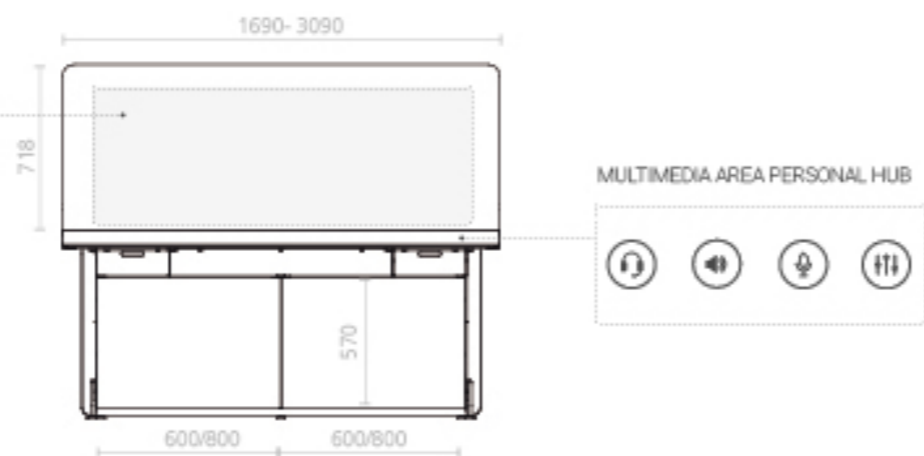
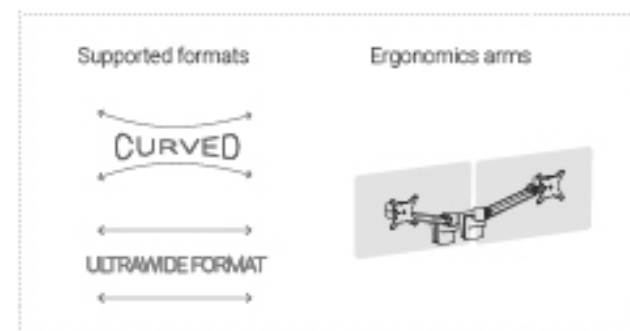
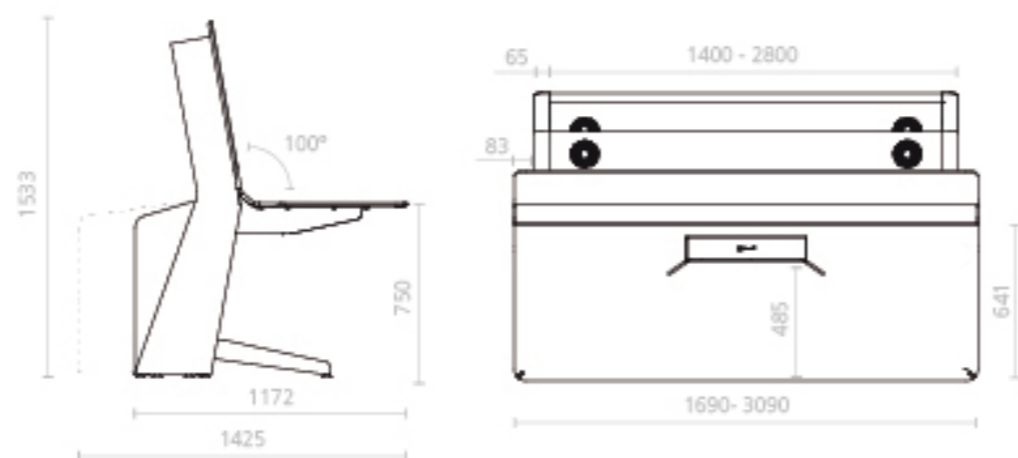
Dynamic integration

Get carried away and imagine being able to draw without work space restrictions. The console with the maximum integration capacity on which, thanks to the Free Wall system, the possibilities to customise the vertical dashboard are almost endless. With a compact, functional structure; now you set the limit.

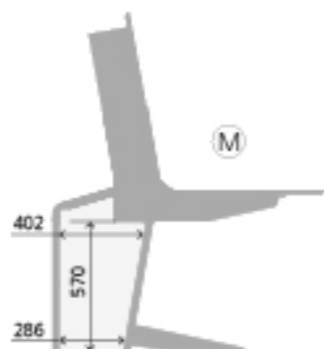




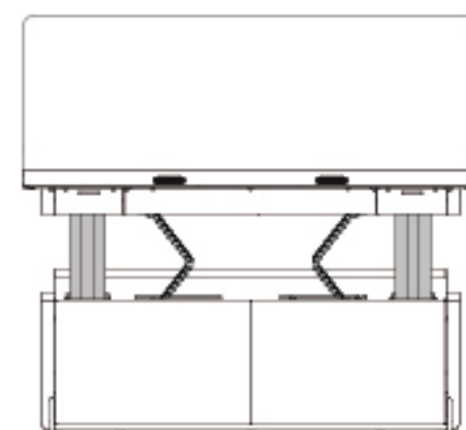
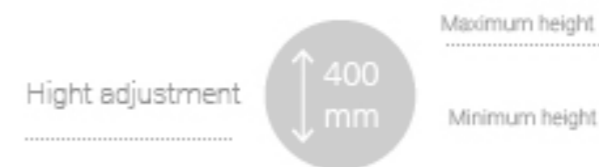
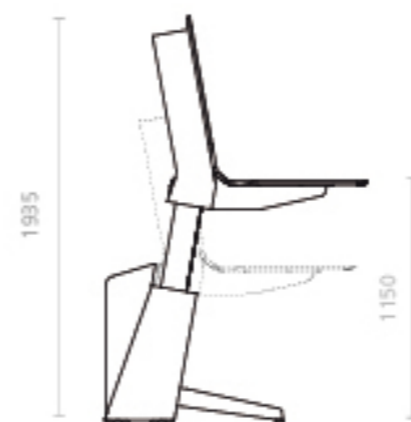
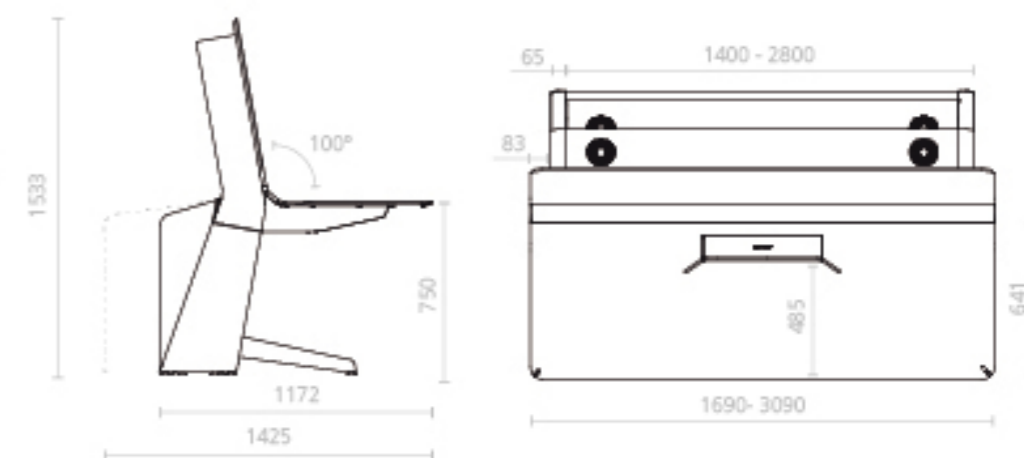
ACTEA ATC



Measurement of technical compartment according to size

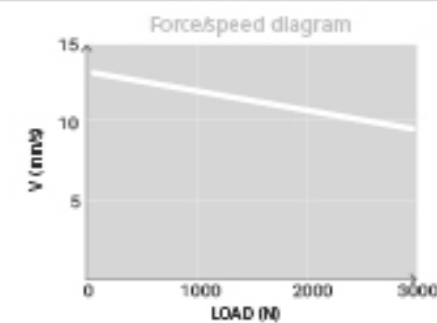
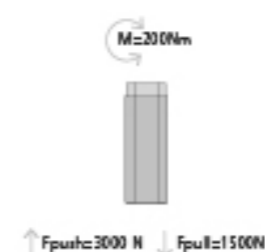


ACTEA ATC SIT&STAND



Technical data for columns elevation

- Push force: 3000 N
- Traction force: 1500 N
- Maximum speed: 13 mm/s
- Guided: Quadruple bearing with POM guides
- Protection class: IP20
- Self locking even under maximum force



ACTEA MISSION

Intensity with no limits and powerful forms to design a superior console. The objective: to offer maximum ergonomics and capacity to adapt to any need. The perfect balance between functionality and aesthetics. The ultimate design by GESAB.

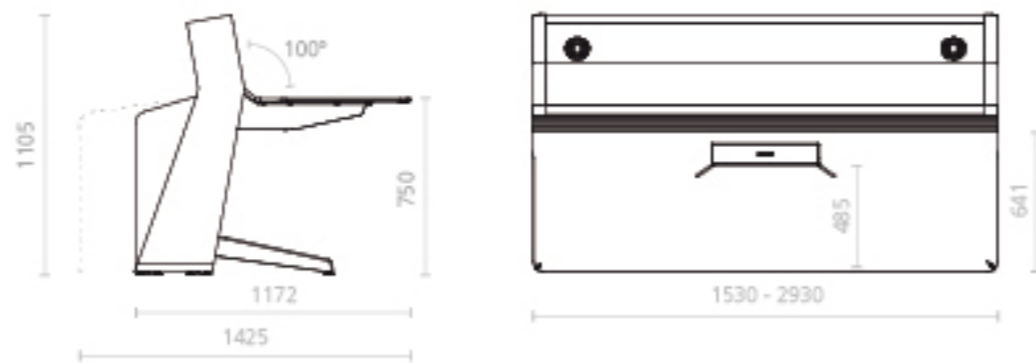


Performance in every fibre

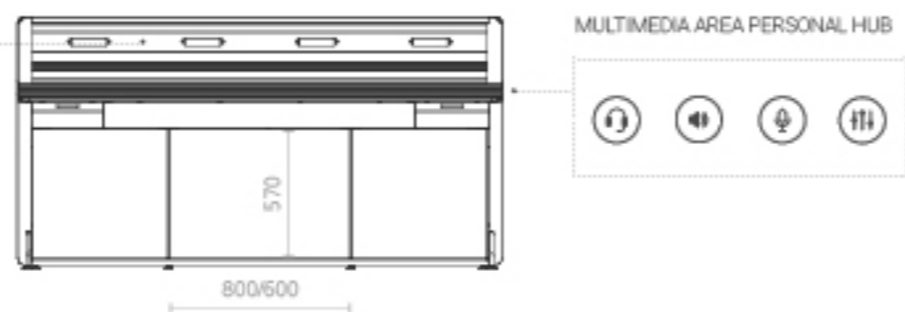
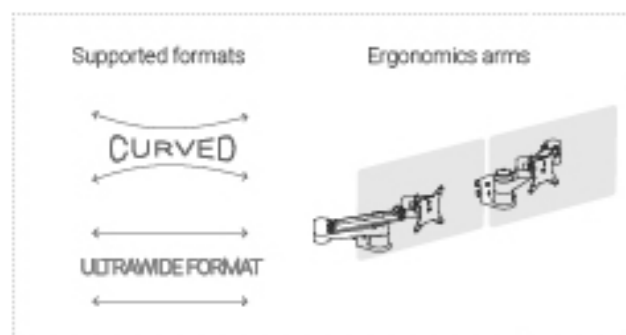
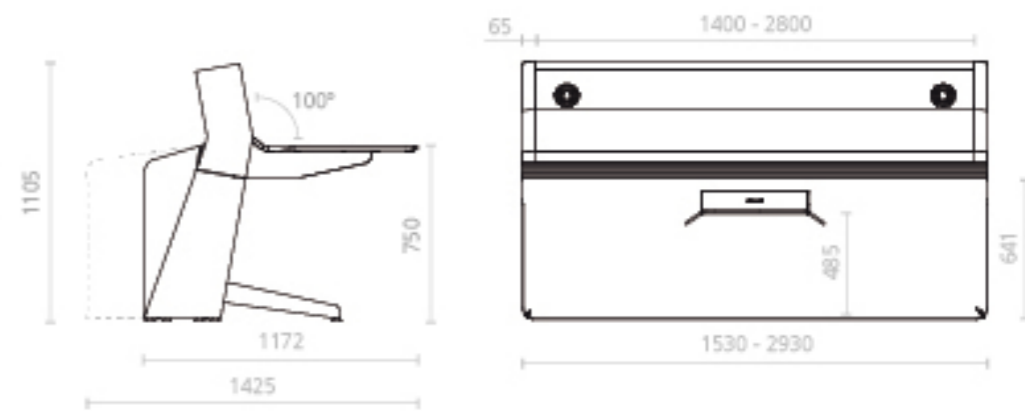
An absolute icon, capable of adapting to the highest requirements. Its vertical column system enables the optimal integration of equipment and cabling; a console with clean, simple lines. Discover the universal console.



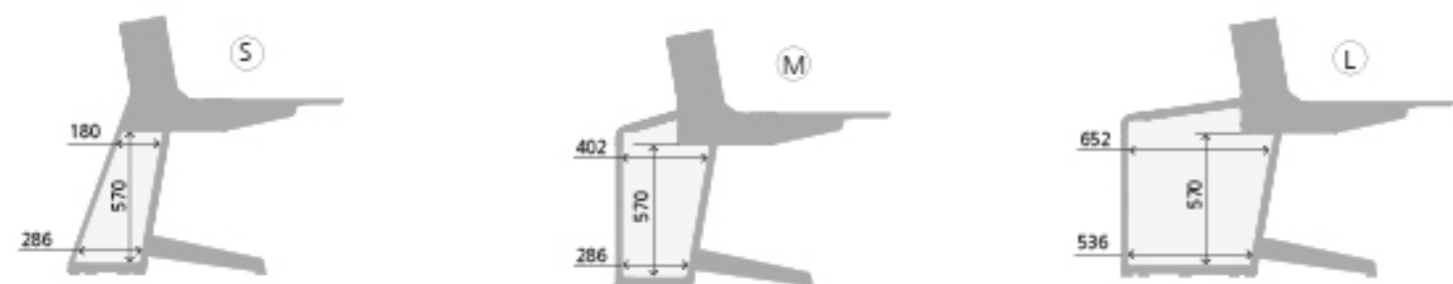
ACTEA MISSION



ACTEA MISSION SIT&STAND



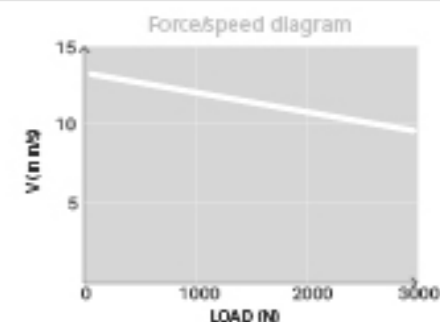
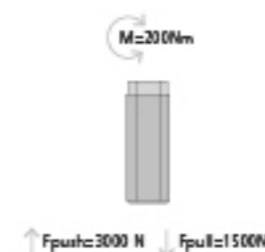
Measurement of technical compartment according to size



Technical data for columns elevation



- Push force: 3000 N
- Traction force: 1500 N
- Maximum speed: 13 mm/s
- Guided: Quadruple bearing with POM guides
- Protection class: IP20
- Self locking even under maximum force



ACTEA SLIDE

With a unique design, the new ACTEA Slide is the perfect example of how, with minimal expression, we can find the fusion between technology and connectivity. Efficient management for the most demanding environments.





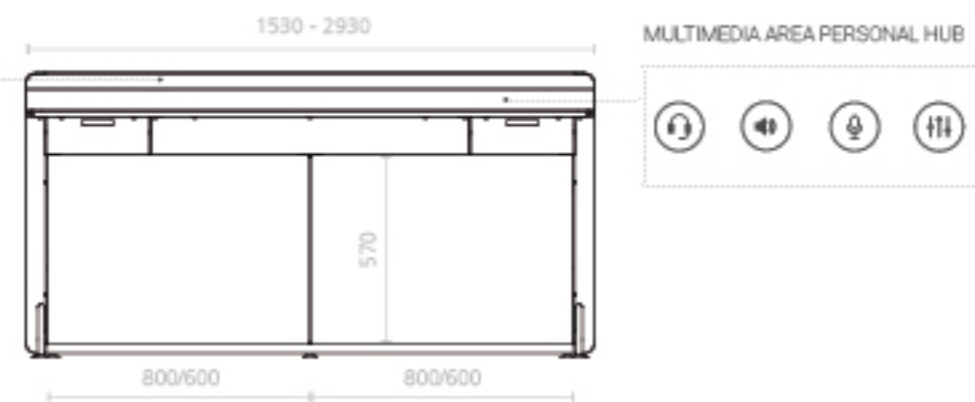
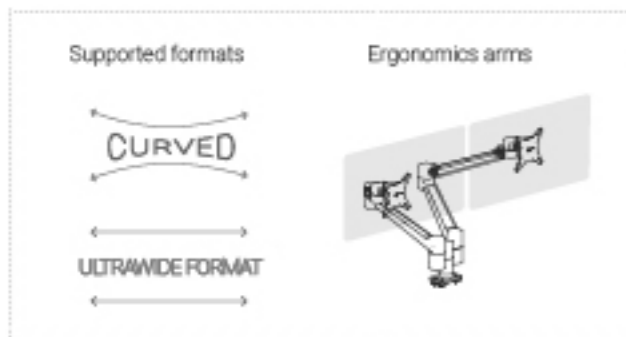
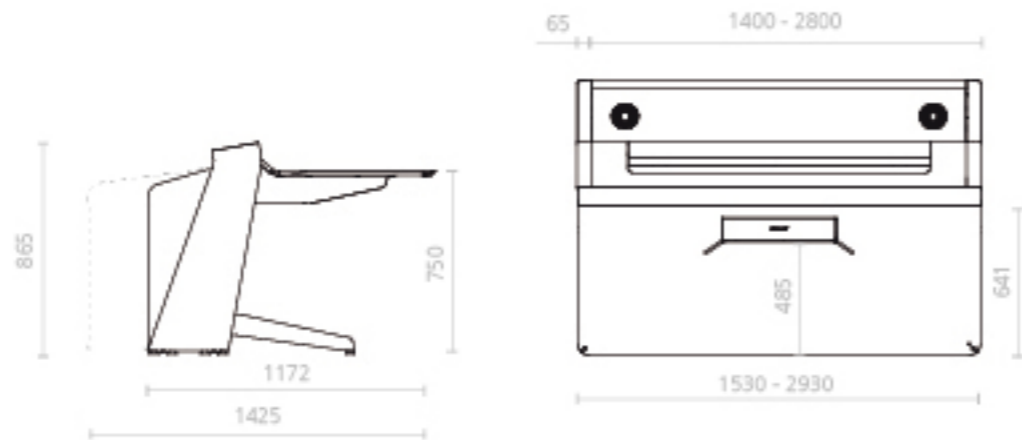
Maximum minimalist expression

A generation born to amaze.
A new simple, intuitive relationship, in which the Wirail Slide system
enables the visual elements to be adapted in a subtle way.
A console in which space is reinvented with powerful details.

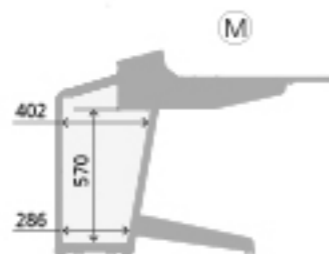
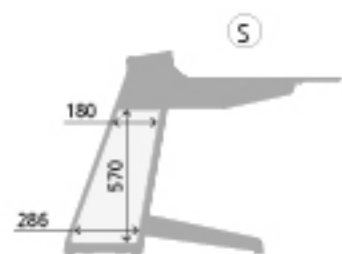




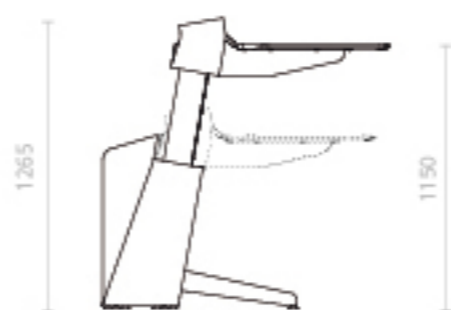
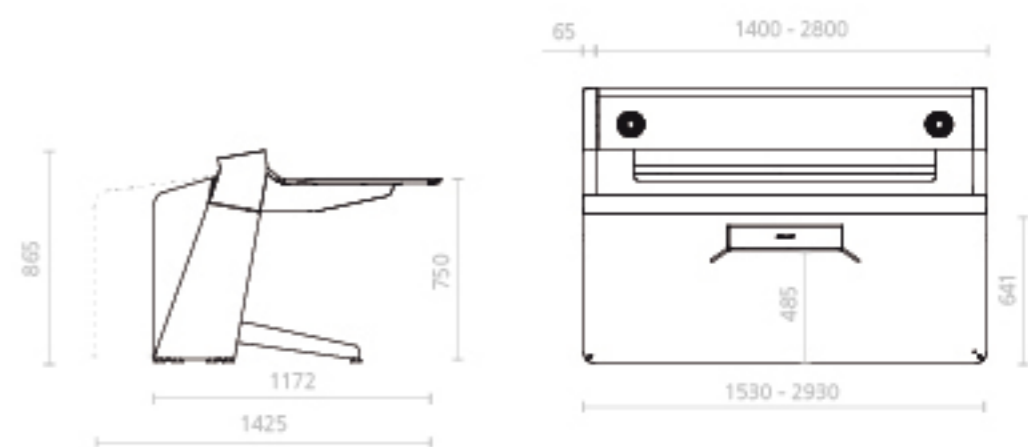
ACTEA SLIDE



Measurement of technical compartment according to size



ACTEA SLIDE SIT&STAND

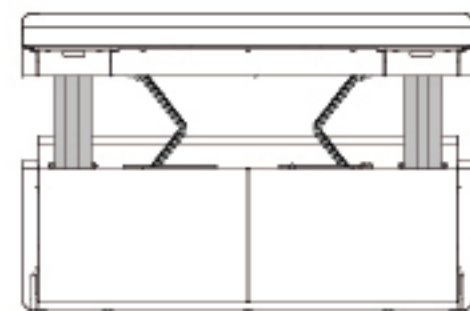


Height adjustment



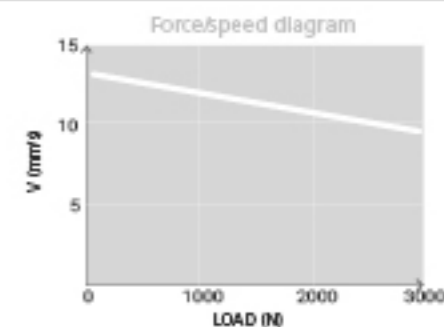
Maximum height

Minimum height



Technical data for columns elevation

Fuerza empuje: 3000 N
 Fuerza tracción: 1500 N
 Velocidad máxima: 13 mm/s
 Guiado: Cuádruple cojinete con guías de POM
 Clase de protección: IP20
 Auto-bloqueo Incluso bajo fuerza máxima



Moving evolution

Create a unique experience not only for the operator. During the design, development and engineering phase, GESAB applies ergonomics guidelines, substantially increasing the user's experience both with the solution and in the environments where it is integrated.





Accesrail Mission

Its vertical composition enables full access to the settings of the audio-visual area from the operator station.



Wirail Slide

Thanks to the rail, the arms slide to locate the visual elements in their proper position, thereby guaranteeing maximum ergonomics.



Free Wall

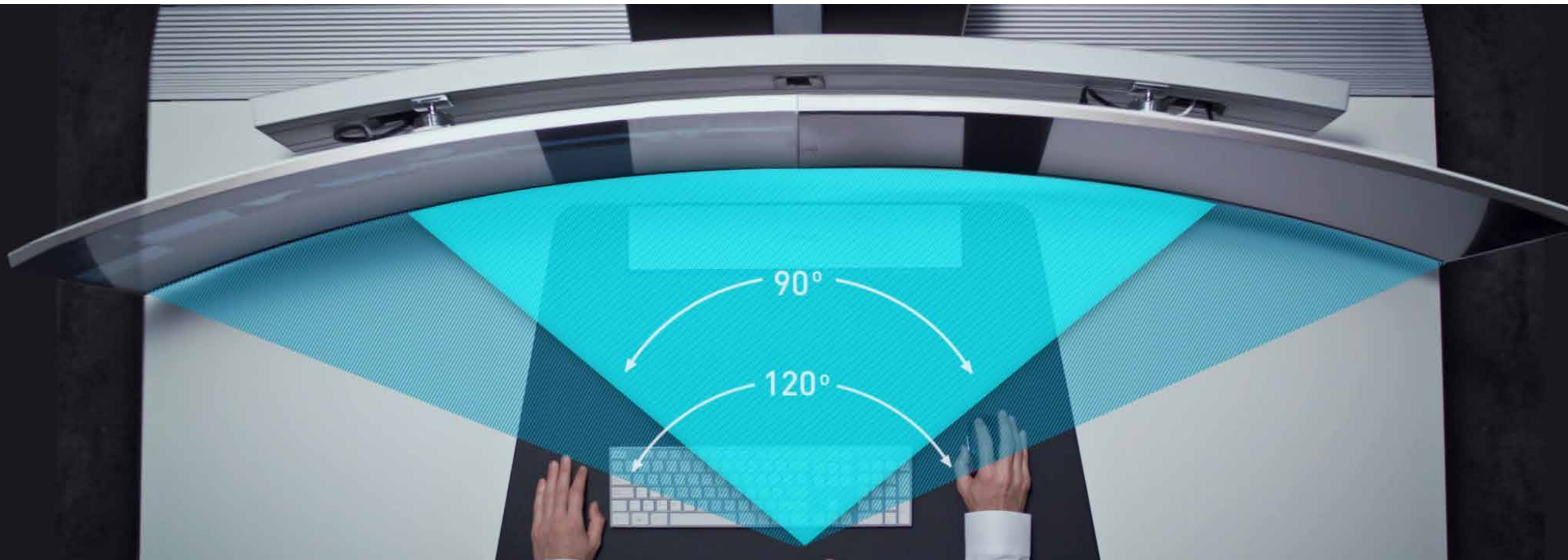
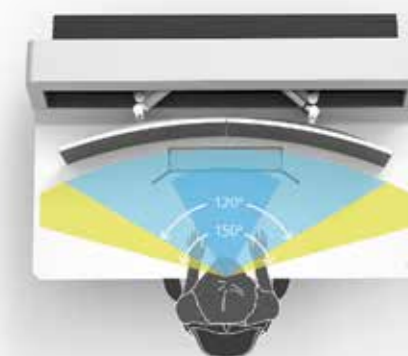
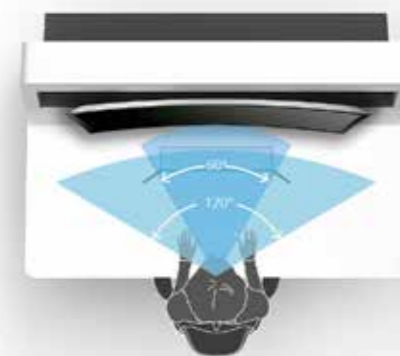
Endless configuration possibilities on the front dashboard, making the ACTEA ATC a unique and amazing console.



Reinventing visual ergonomics

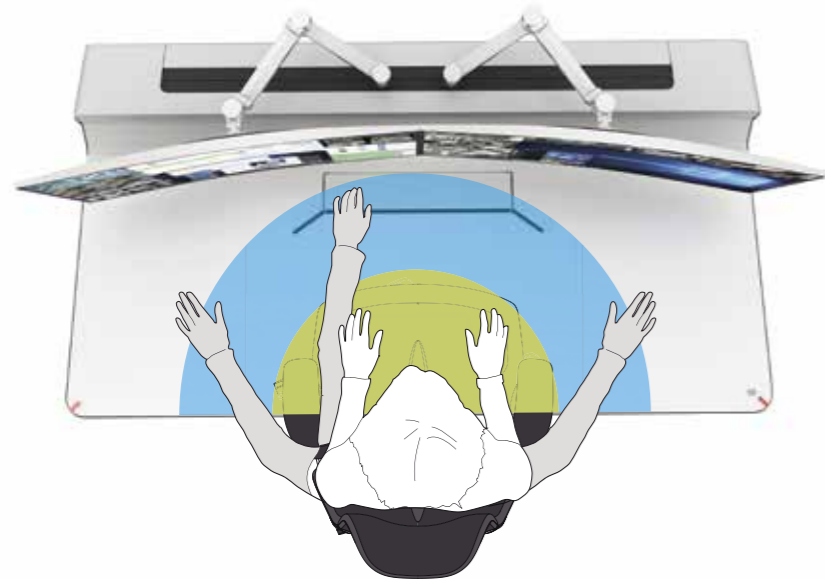
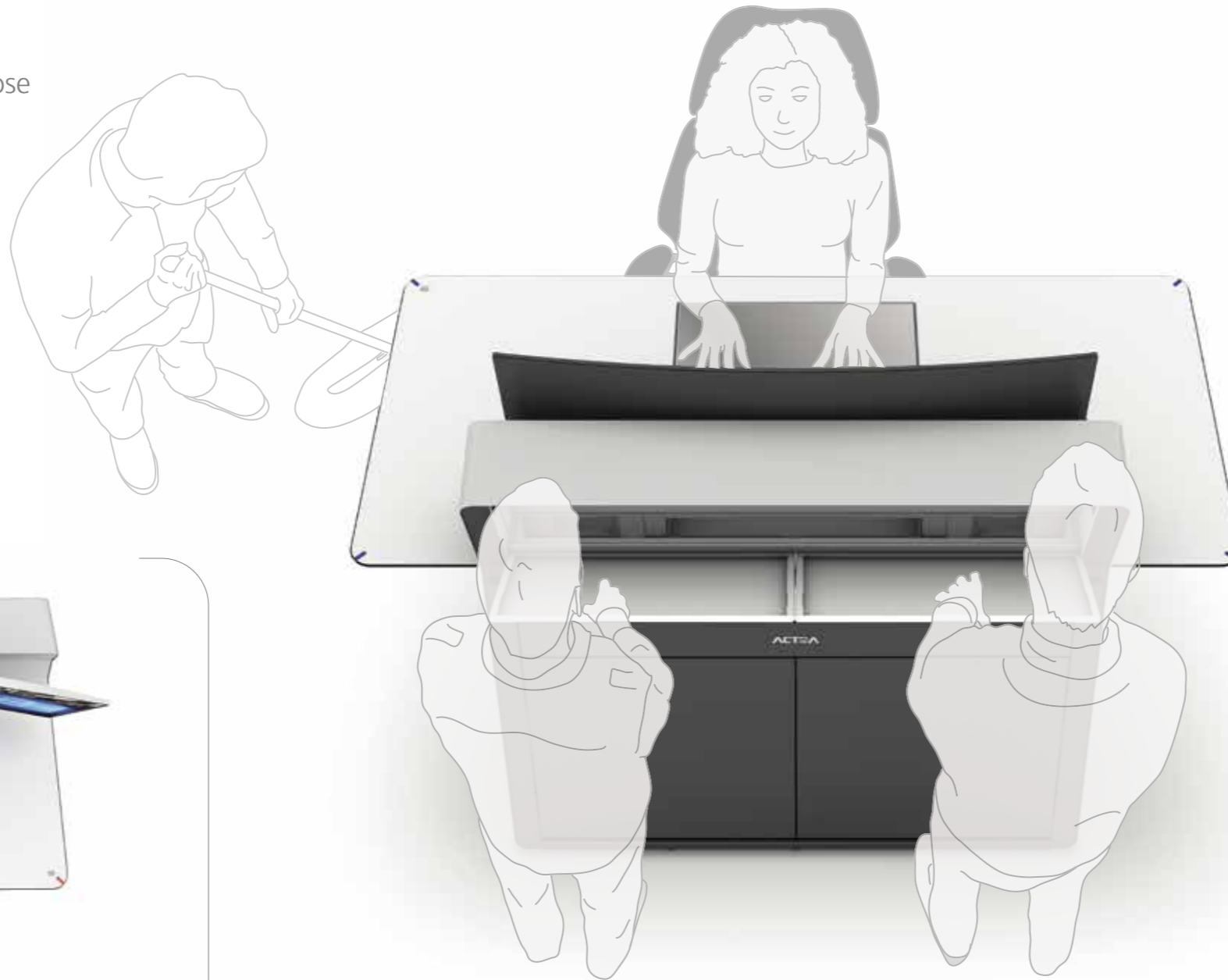



● Primary Area ● Main Area ● Secondary Area



GESAB Health

Create a healthy environment for all those who interact with the control centre. Facilitate access to equipment and performance at work stations under a global health concept.

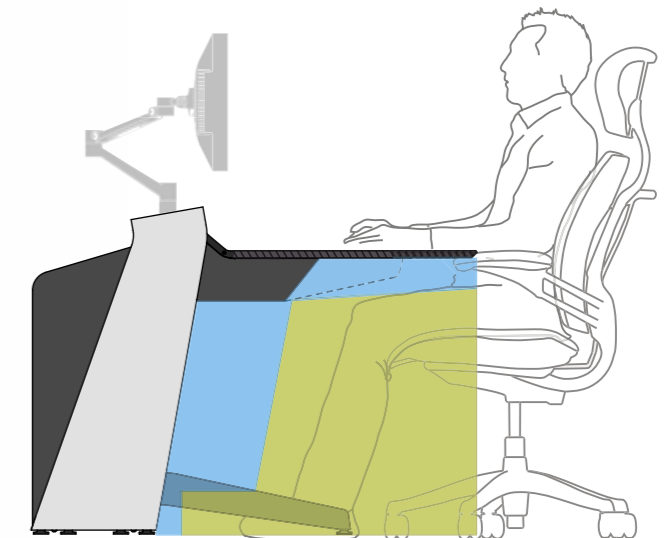


 Primary range area

 Secondary range area

Human Centered Design

A new philosophy that situates the user as the leading player. The capacities of the ACTEA series not only meet specific regulations for control centre ergonomics (UNE-EN ISO 11064), but also expand to offer the operator and its environment the best tools for the execution of its tasks



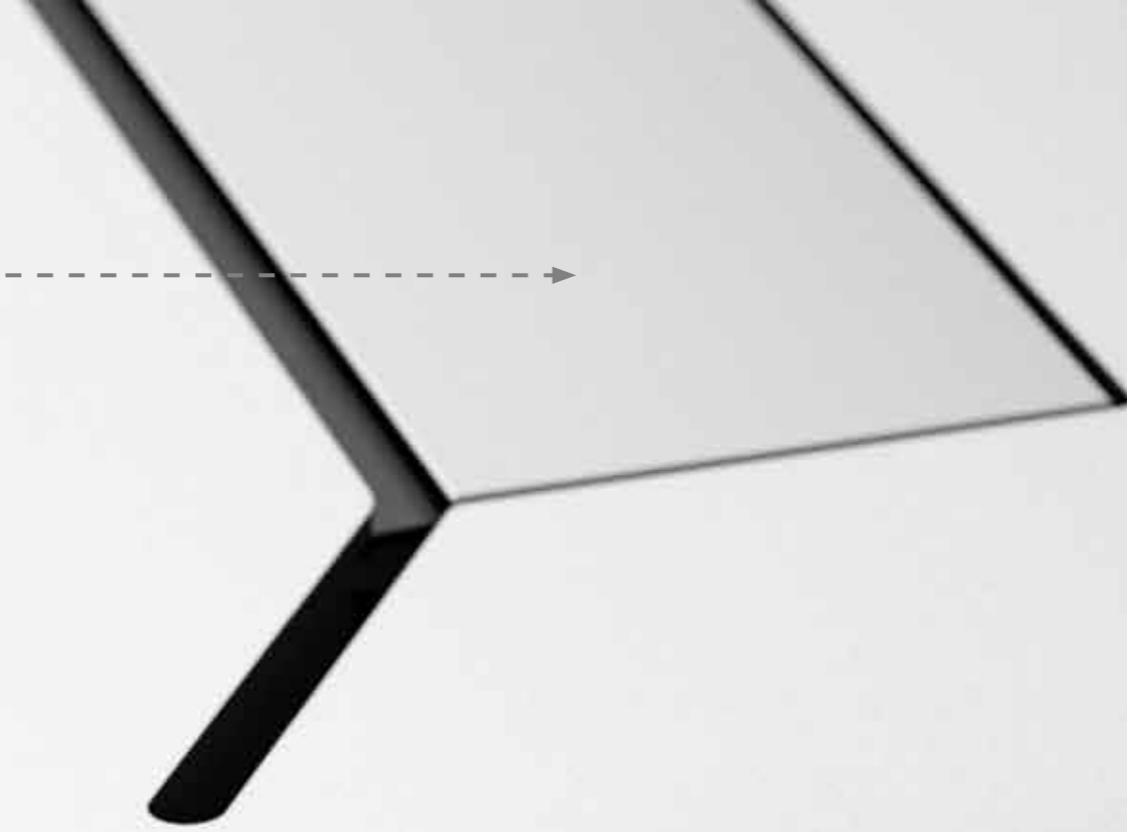
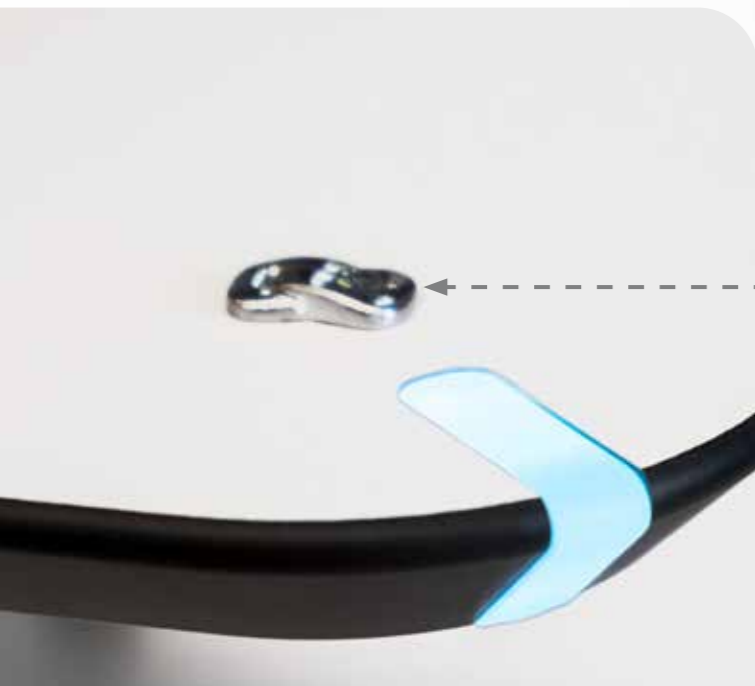
 Compliance UNE-EN 527-2011

 Extra Space ACTEA SERIES

UX+ User Experience

People as the centre of the action,
as the axis upon which everything occurs.
GESAB's aim with the design of all its consoles
and systems is to offer unique experiences
to all users and to facilitate global work
in critical environments 24/7.





Smart consoles

Consoles that meld the latest technology to offer each user smart, intuitive answers. Designed today for the challenge of the future.



Personal Dock

An exclusive piece. A flexible space designed to guarantee the operator easy access to different connections by unifying design, functionality and benefits.



Personal Hub

A transition point between the work zone and the display front that enables everything within reach to be integrated in an intelligent manner.





Personal Box

The concept of space taken to the next level. The 360° design technique enables all the consoles of the ACTEA family to be optimised and spaces to be developed for personal use.



Inspiration in every touch

The UX+ concept is as advanced as the ACTEA series itself; a philosophy of commitment to any control centre user, whether operators, technicians, collaborators or maintenance and cleaning personnel, by looking after even the subtlest elements in order to achieve success.



The extraordinary knows no bounds

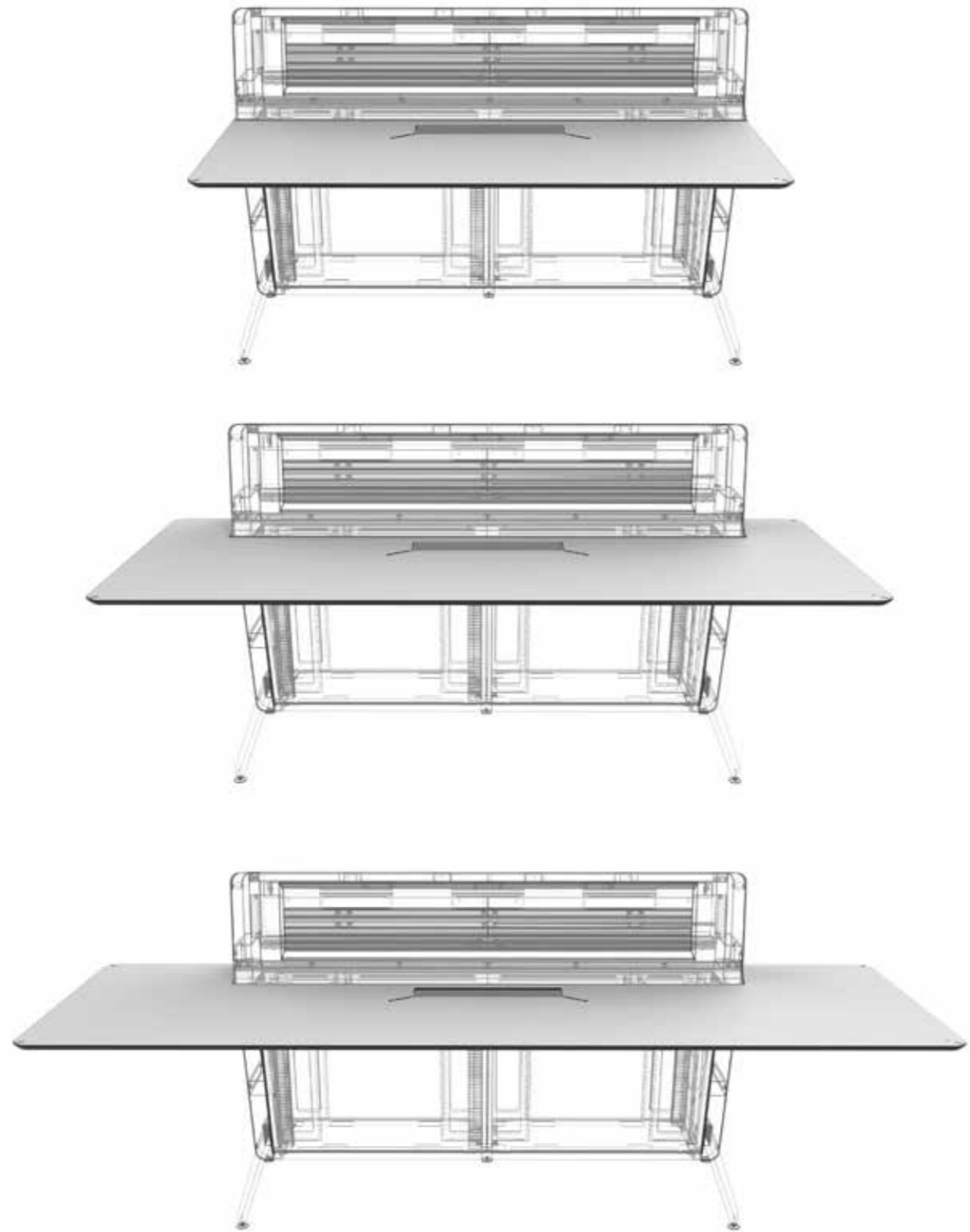




No barriers

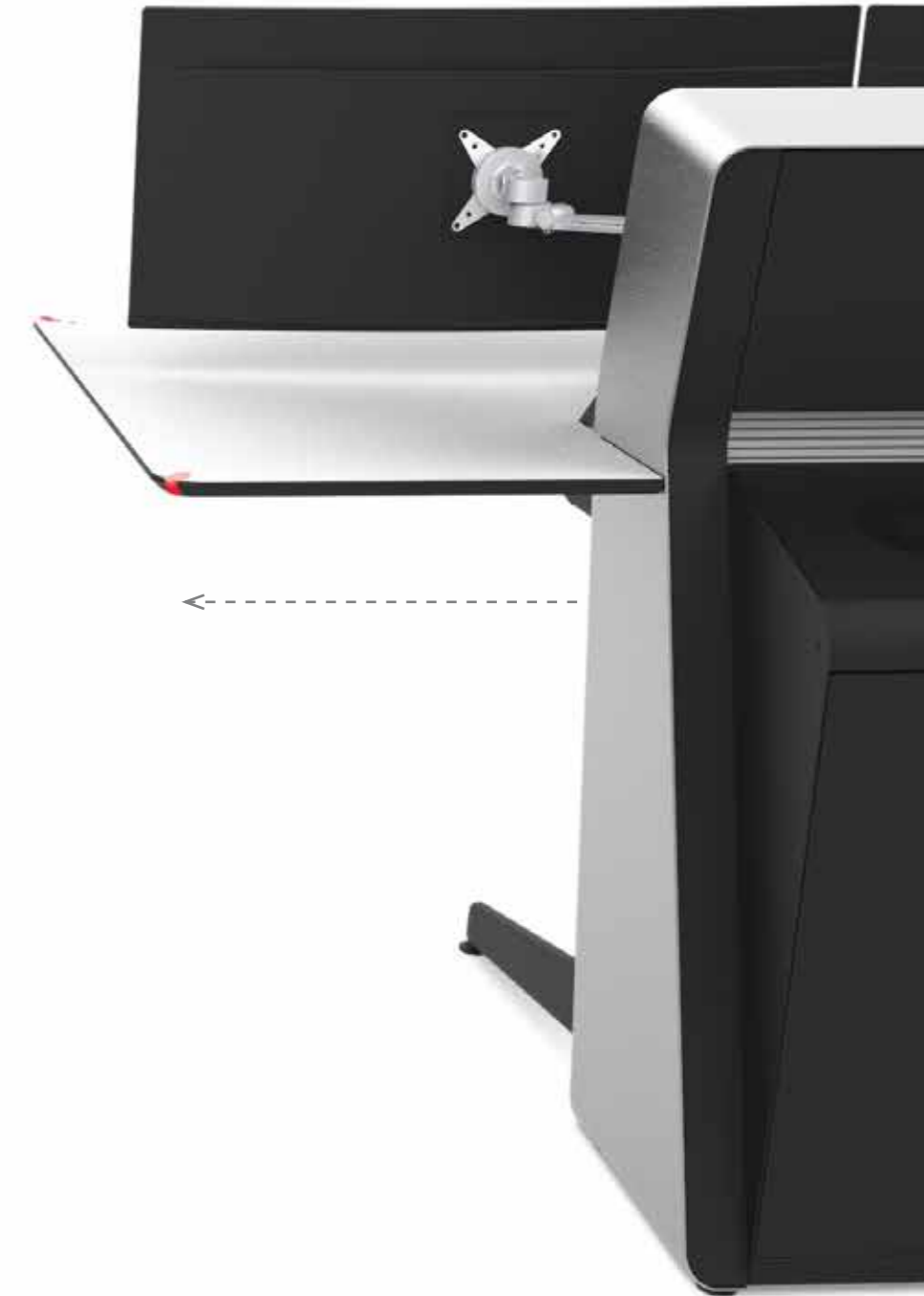
We do not focus solely on exterior design, but also on enriching it, making it more complete, much more special and adaptable to any geometry. Barriers are no more.






Create your Workspace

New techniques in the development of work surfaces that adapt precisely to the user's needs. With ACTEA Series, the limits are set by the user, not the space or the product. Design your Workspace like never before.





One detail, a thousand sensations

Precision in each line. A perfect combination
between forms, colours and materials.

A new series of control consoles that provide
a unique experience.



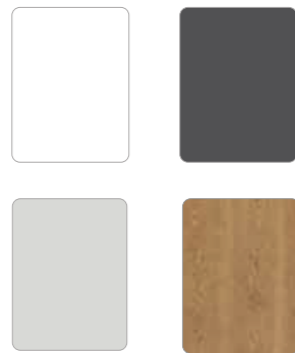
Careful, precise design

Taking care of every last detail.

At GESAB we go beyond quality, seeking excellence through the best materials and finishes with the most advanced design in order to guarantee maximum satisfaction.



FUNDERMAX





Control GESAB

Barcelona

938 427 050
Avda del Mogent 68
08450 Llinars del Valles

Madrid

915 345 064
C/ Marzo 61-67
28022 Madrid

Mexico City

+52 55 1997 0746
Homero #1205 Piso 3
Ciudad de México 11550

Atlanta

+1 404 990 3748
3020 Business Park Drive
Norcross, GA 30071 USA

Bogota

+57 1 2185459
Carrera 13 # 96 - 67
Bogotá, Colombia

Dubai

971 555 528 390
Al Quoz 1
Dubai, UAE

International

+34 915 345 064
C/ Marzo 61-67
28022 Madrid

gesab.com

info@gesab.com