

# DESIGNER COMPOSITE CLADDING INSTALLATION GUIDE



# Table of Contents

---

Installation Guidelines .....	2
Getting Started .....	3
List of Materials .....	4
Horizontal Installation Instructions .....	6
Vertical Installation Instructions .....	13
Finishing Up .....	21

---

## Installation Guidelines

**IMPORTANT:** Please review all sections of this manual before beginning installation.

### Pre Installation

The diagrams and instructions provided in this manual are for reference only. Determination of the effectiveness, suitability, and safety of any application or use of Sylvanix products is solely the responsibility of the installer. Building code regulations vary, and the installer must consult local building and safety codes for specific requirements prior to the application of Sylvanix cladding products. Basic woodworking tools, such as a saw (table and portable saws), impact drill, hand drill, etc. can be used.

### Cladding Profile Application

Sylvanix cladding materials can not be used as a main support system. This includes using profiles as beams, columns and other load-bearing structures. Sylvanix Cladding must be combined with other code-compliant load-bearing structures.

# Getting Started

## Planning and Design

Before the installation of Sylvanix cladding, it is recommended to prepare a site drawing of your specific project to minimize errors and ensure your project goes according to plan. Planning before project installation can also help ensure that the cladding installation meets local building codes and zoning ordinances.

## Material Storage

Store Cladding materials on a rigid, smooth, and flat surface. Keep profiles covered, and off the ground on a surface that is protected from direct exposure to weather and sunlight. Do not store cladding in a damp or stagnant environment.

## Expansion and Spacing Considerations

All cladding materials, whether wood or composite, undergo some degree of linear expansion with the change of weather and the seasons. For best results, keep cladding profiles out of direct sun during storage and cutting processes, and throughout installation, if possible. To compensate for the effects of expansion and contraction, we require installers to follow our spacing requirements shown below.

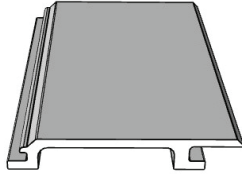
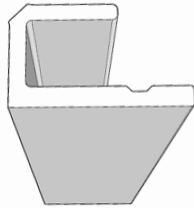
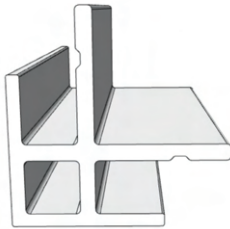
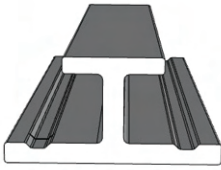
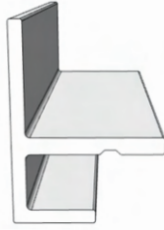
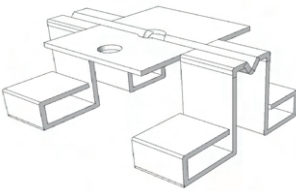
**Please Note:** For cladding end-to-end spacing and end-to-structure spacing, the below requirements must be met for full Sylvanix Warranty Coverage.

## Cladding Spacing by Ambient Temperature

Ambient Temperature (°F)	< 35°	36° - 69°	70° - 89°	90°+
Spacing for Designer Cladding	1/3 inch	1/4 inch	1/8 inch	1/16 inch

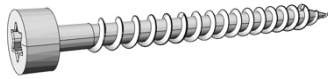


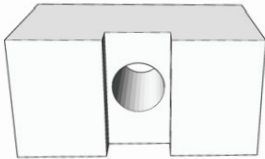
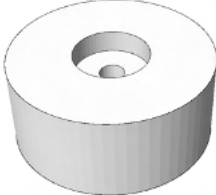
Always consider linear expansion and contraction when installing Sylvanix cladding. If temperature fluctuates during installation, the gapping between board ends and trim pieces must be changed accordingly. Sylvanix Designer Collection Cladding complies with all major building codes.

## List of Materials

Product Name	Item Code	SKU	Image	Application
<b>Designer Cladding Board</b>	HLYC-017B	DESIGN12CLAD		Decorative Wall Cladding with a board exposure of 6.
<b>Designer Inner Corner Trim</b>	HLYC-016F	DESIGN12INNER		Used to transition cladding boards around an inside corner. Can also be used as trim around window and door openings.
<b>Designer Outer Corner Trim</b>	HLYC-015F	DESIGN12OUTR		Used to transition cladding boards around an outside corner
<b>Designer Butt Joint Trim</b>	HLYC-013F	DESIGN12ITRM		Can be used to join 2 cladding boards on runs that extend longer than 12'.
<b>Designer F-Trim</b>	HLYC-014F	DESIGN12FTRM		Used to terminate cladding boards at an outside corner.
<b>Hidden Fastening Clip</b>	HLPM-100 (B)	DESIGN FASTENER		Used for installation of the Designer Collection cladding boards. Sold in 100sqft hidden fastener buckets that include Clip Screws and Locking Screws



## List of Materials

Product Name	Item Code	SKU	Image	Application
<b>Hidden Fastening Screw</b> CLIP SCREW	HLPM-099 (B)	DESIGN FASTENER		Used to secure the hidden fastening clip directly to the furring strip or wall.  Included in 100sqft hidden fastener bucket
<b>Hidden Fastening Screw</b> LOCKING SCREW	HLPM-098 (B)	DESIGN FASTENER		Used to secure the cladding board through the clip directly to the furring strip or wall.  Included in 100sqft hidden fastener bucket
<b>Color Matched Screw</b>	HLPM-096 (B)	96BSCREW 50U		Color Matched Screws for fastening trims, final boards, and any finishing work.  Screw Length is 2-1/2", and 1 Pack includes 50 pieces
<b>Rubber Support Rectangle</b>	HLPP-052 (C)	HLPP052C		Used to install the final cut Cladding Board at the top of the wall.  1 Pack includes 8 pieces
<b>Rubber Support Round</b> VERTICAL	HLPP-053 (C)	HLPP0532		Used to install the final cut cladding board inside a trim piece.  1 Pack includes 8 pieces

*\*When metal furring strips are used, please consult the manufacturer on fastener specifications.*

*\*Sylvanix cladding trims can be used in a variety of ways. Please consult the manufacturer with any project-specific trim questions.*

# Horizontal Installation Instructions

## 1. Furring Strips

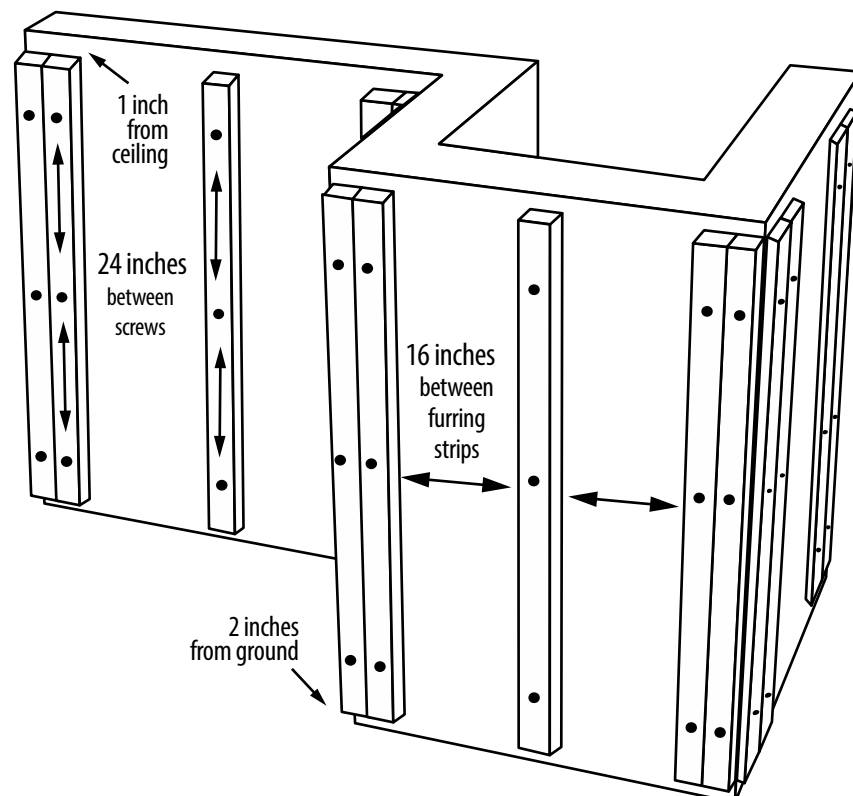
Designer Cladding does not require furring strips, provided that the cladding can be fastened to pre-existing 16" studs. If pre-existing 16" studs are not present for your project, furring strips will be required.

A. If furring strips are required, we recommend using wood furring strips with a minimum thickness of 1" (actual thickness 3/4"). Each cladding board should be supported by a furring strip spaced NO MORE than 16" from center to center. Please note that extra furring strips and blocking may be required around obstacle areas such as windows and doors, to create adequate cladding support. Please leave a minimum of 2" between the ground and the bottom of the furring strip, as well as 1" between the ceiling and the top of the furring strip.

B. All Furring strips must be flat and level to the wall, please use shims in areas where it is required.

C. All Furring strips must be fixed with screws spaced no more than 24" apart.

D. Sylvanix recommends using a code-approved water-resistant barrier behind our cladding. Please consult a building professional regarding water barriers and insulation for your project.

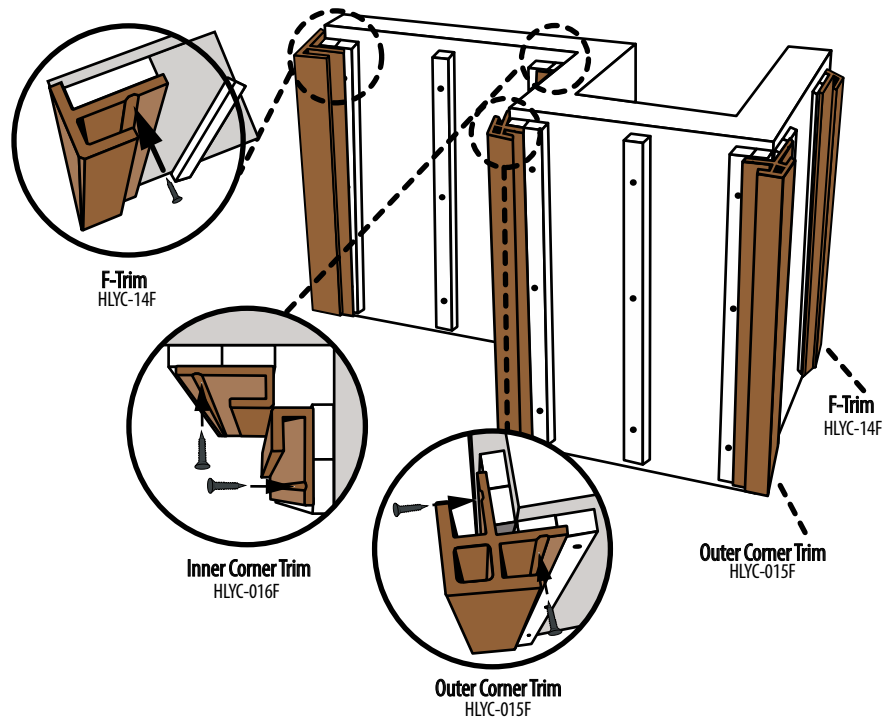


# Horizontal Installation Instructions

## 2. Installation of Inner Corner Trim, Outer Corner Trim, and F-Trim

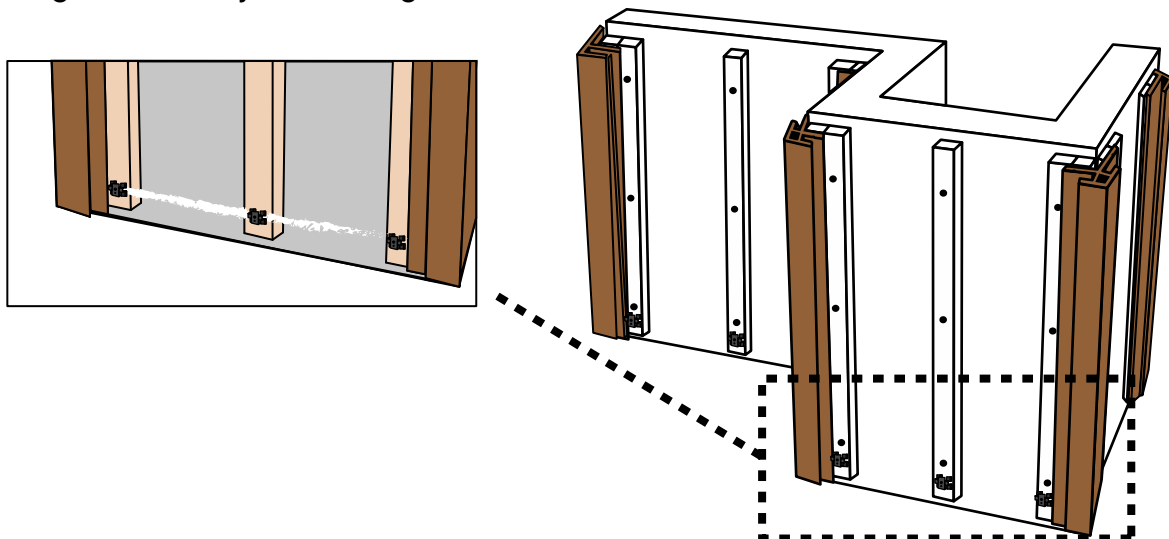
- A. Using the color matched screws, secure the Inner Corner Trims to all inside corner areas.
- B. Using the color matched screws, secure the F-Trim to the outermost edges, and Outer Corner Trim to all outside corner areas.
- C. Please allow a minimum of 1" between the bottom of the trim piece and the ground.

**Please Note: Sylvania highly recommends pre-drilling with a countersink drill bit whenever fastening directly into Sylvania trims or cladding boards.**



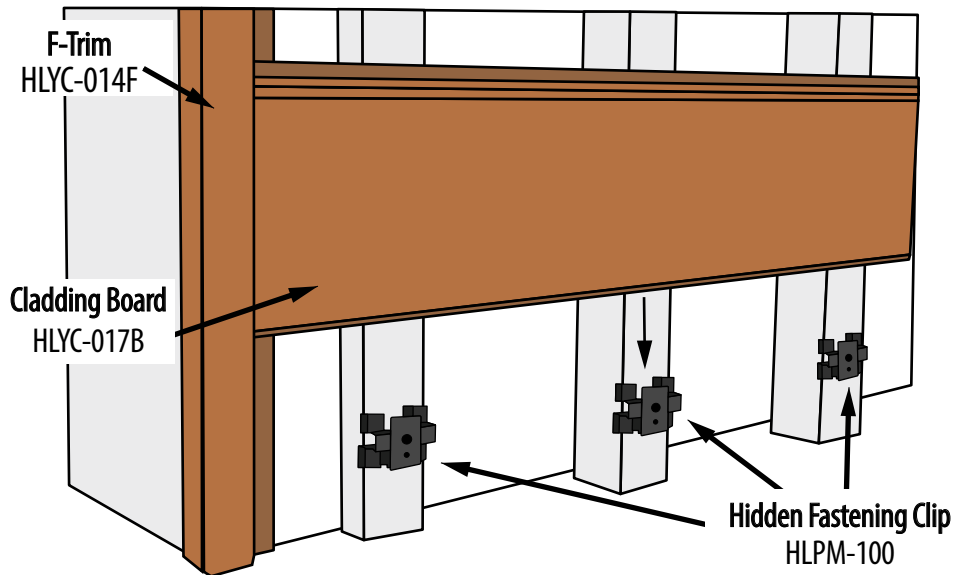
## 3. Installation of Cladding Board

Using a chalk line, secure a hidden fastening clip at the bottom of each furring strip or framing stud, every 16" along the bottom of the wall

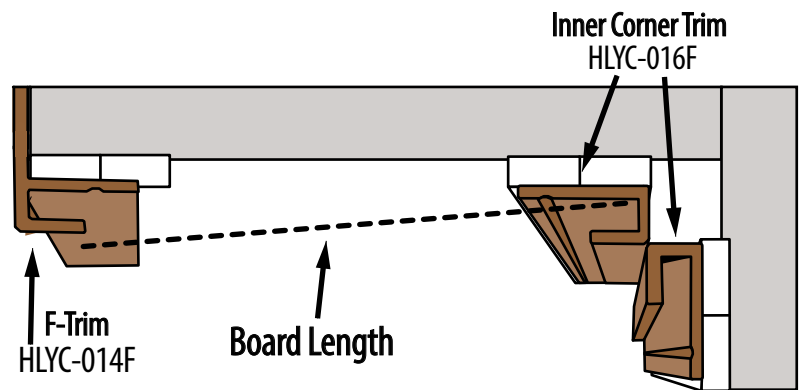


# Horizontal Installation Instructions

B. Place the first Cladding Board over the hidden fastening clips along the bottom of the wall or furring strips.



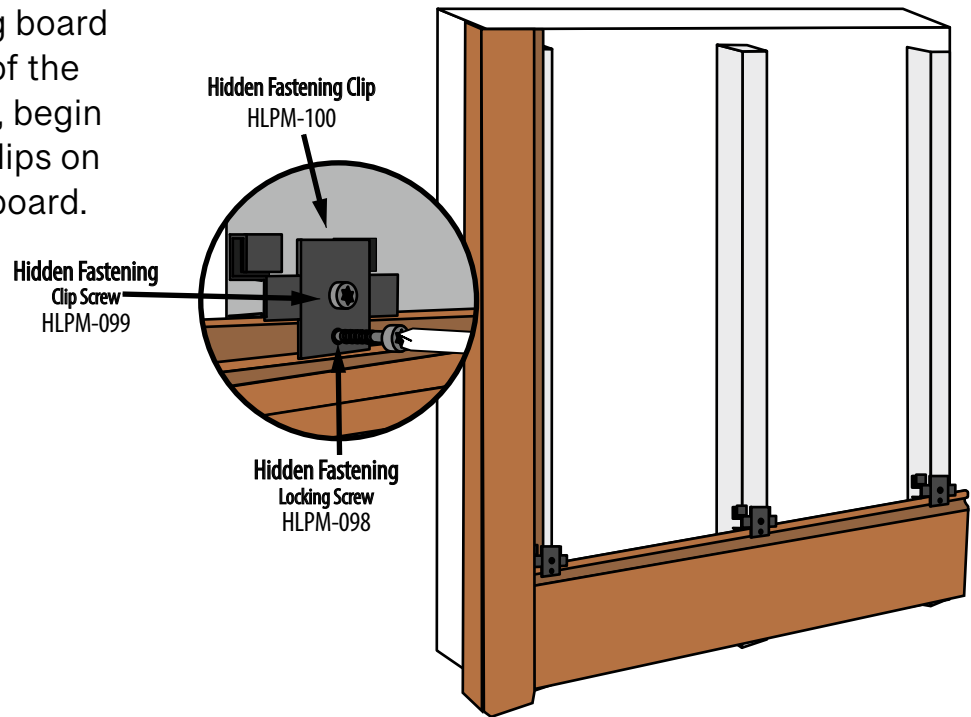
**Please Note:** When installing a horizontal cladding board between two trims, it is recommended to cut the board to the dimension on the right. Measuring from the inside of the larger trim to the outside of the smaller trim, will give you the correct board length to easily install horizontal cladding boards between two trims.



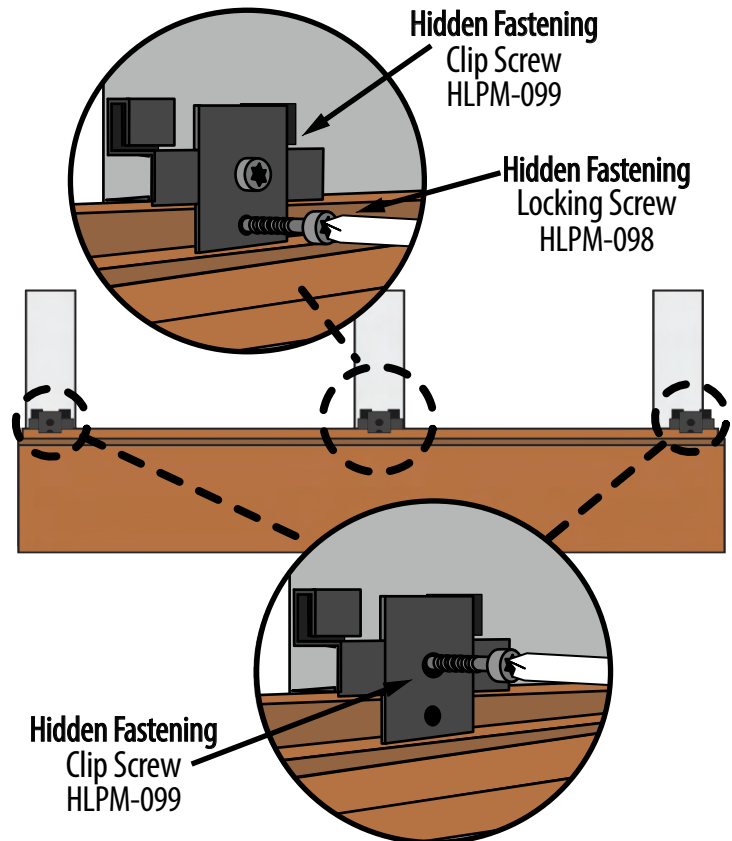


# Horizontal Installation Instructions

C. After the first cladding board has been placed on top of the first row of secured clips, begin putting the next row of clips on top of the first cladding board.



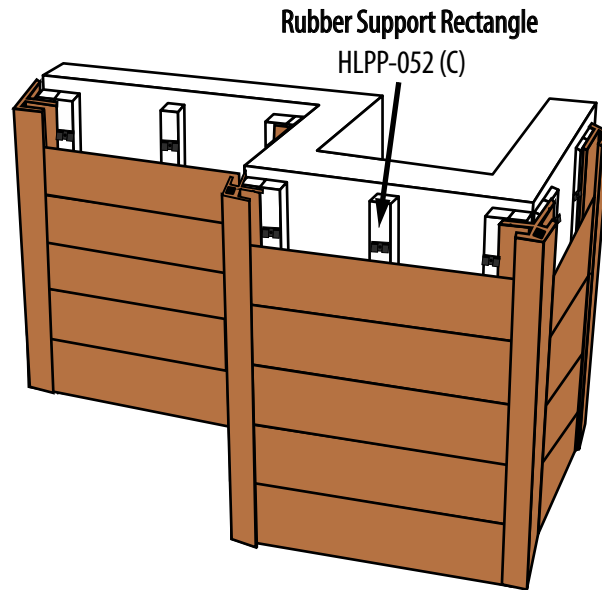
D. It is required to “lock” the clip at the center of each board using the locking screw. All other clips on a horizontal cladding board will receive the larger clip screw only. Please see the diagram at the right for details.



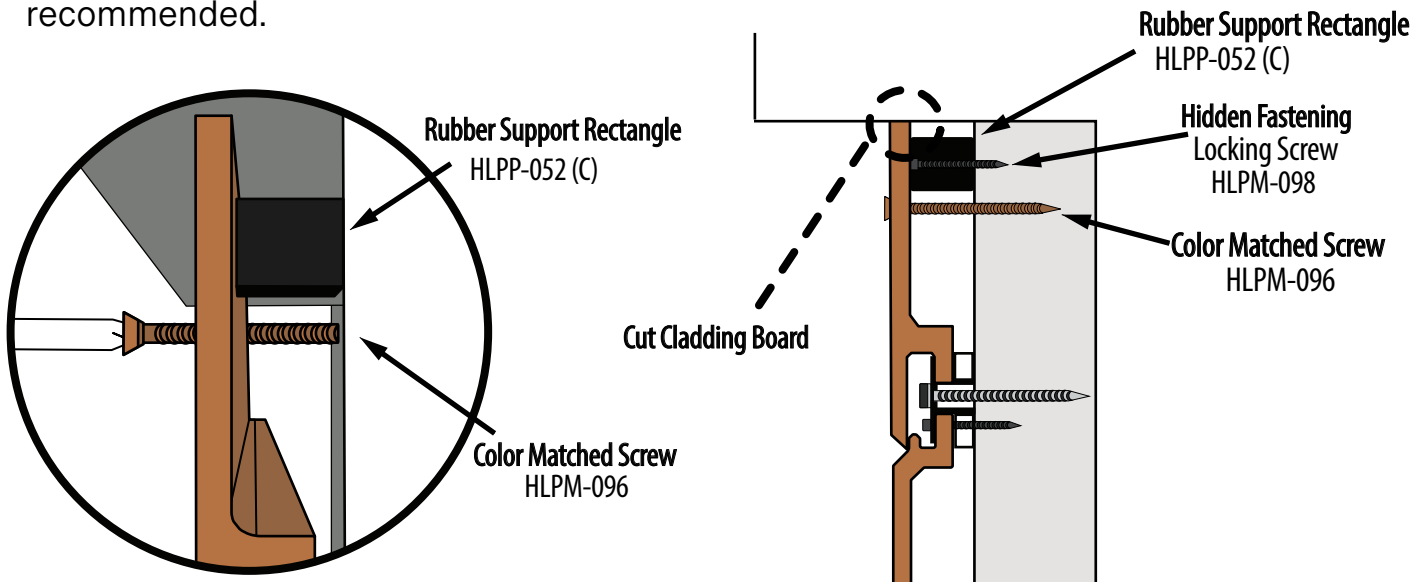
# Horizontal Installation Instructions

## 4. Installing The Last Cladding Board

A. Continue the process of installing clips and boards until you reach the top of the wall. Before installing the last Cladding Board, fasten a Rectangular Rubber Support every 16" along the top of the wall, or at the top of each furring strip. The Locking Screws can be used to fasten the Rubber Supports if needed.



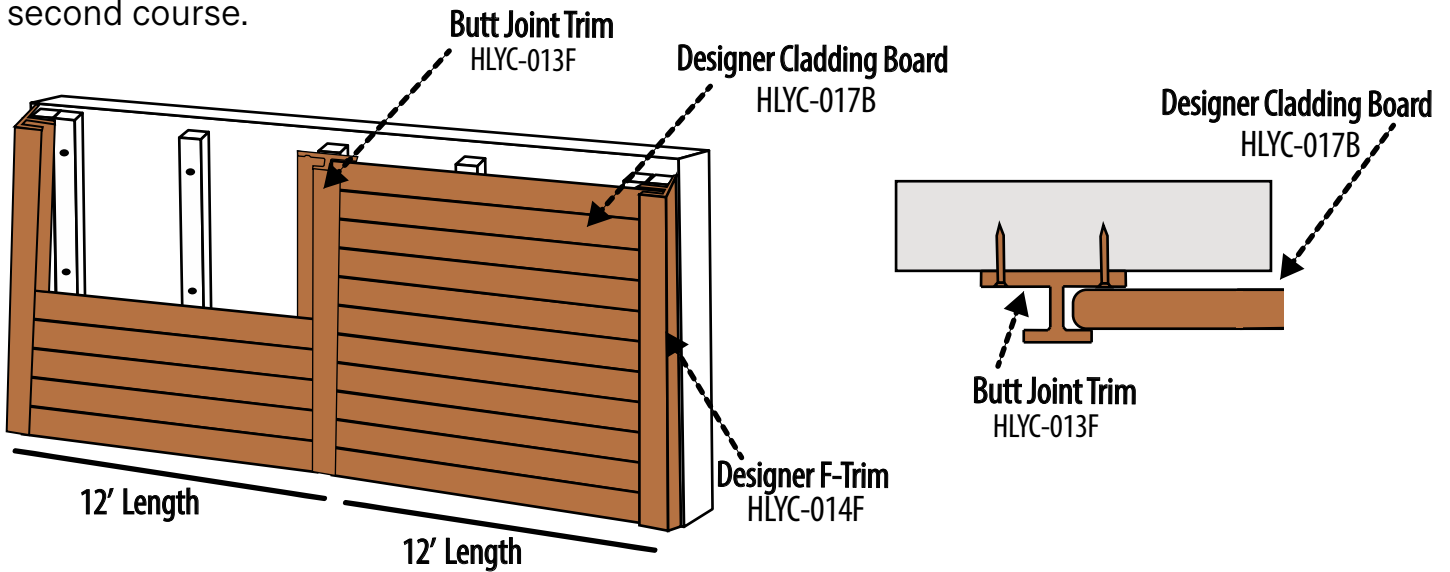
B. When installing the last cladding board, it may be necessary to cut the board to the correct size. Place the last cut board on top of the previously installed cladding board, and against the Rectangular Rubber Support. Face Screw the last cladding board with a Color Matched Screw. Pre-drilling with a countersink drill bit is highly recommended.



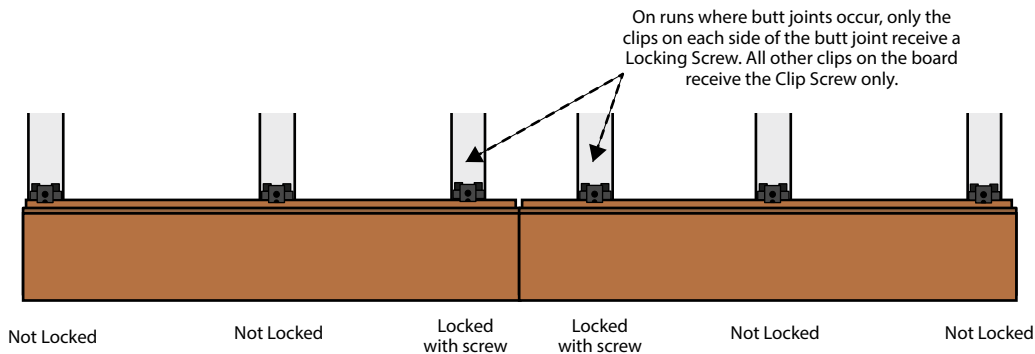
# Horizontal Installation Instructions

## 5. Butt Joints

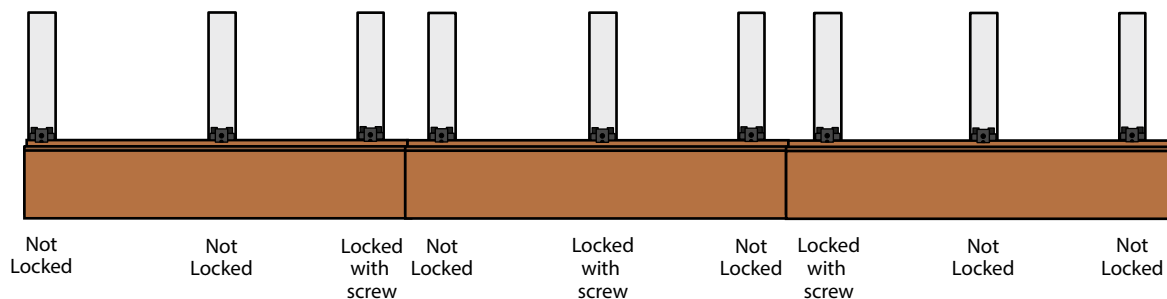
A. On wall lengths that are greater than 12' in length, Sylvanix Butt Joint Trim can be used to join two cladding boards and extend the run. After the first course of boards is installed between the Butt Joint Trim and another trim piece, begin installing the boards on the second course.



B. If Butt joint Trim is not used, follow the below diagram for proper clip installation.



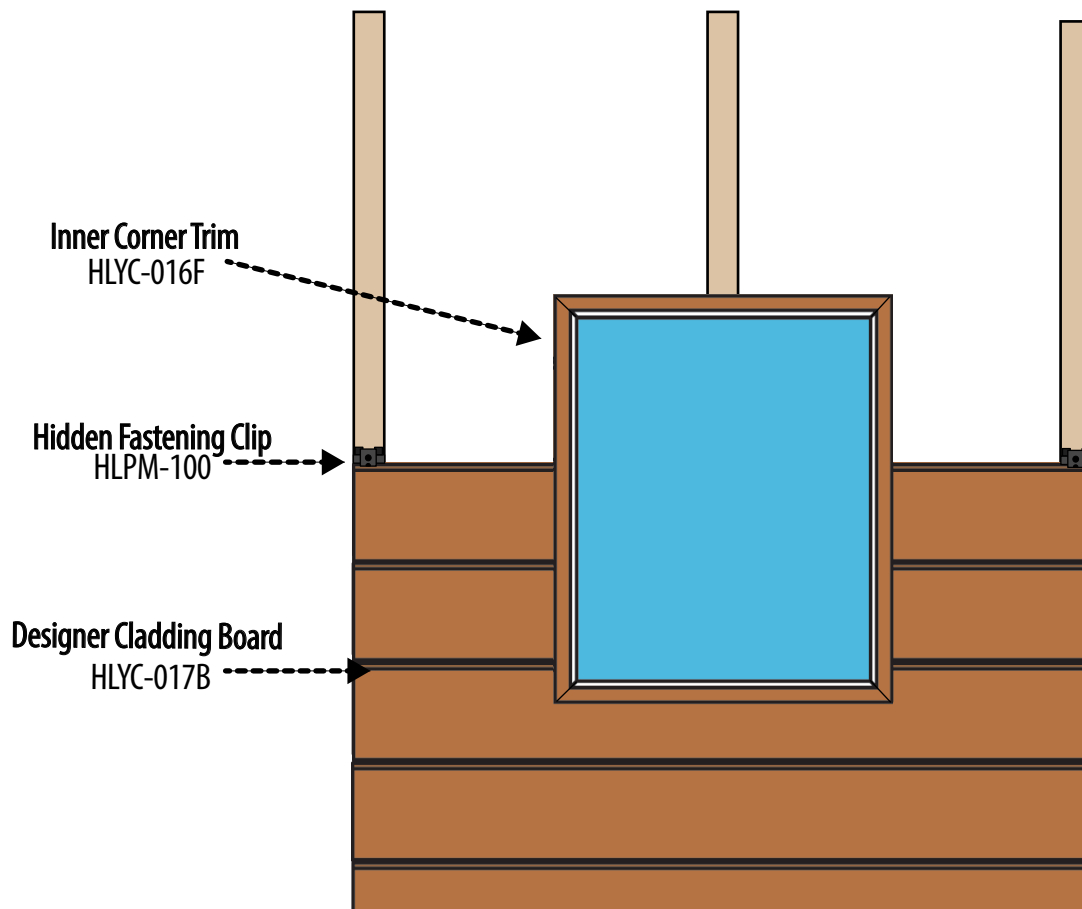
C. On runs that require 3 or more boards, it is recommended to follow the below clip installation.



# Horizontal Installation Instructions

## 6. Trim For Windows And Doors

A. Designer Inner Corner Trim or Designer F-Trim can be used around windows and door openings to create a seamless transition from cladding boards to window or door areas. Please keep in mind the expansion and contraction spacing requirements on Page 3.



**Please note:** Designer Collection trim can also be used as trim along the top or bottom of cladding wall. Please keep in mind the expansion and contraction spacing requirements given on Page 3

# Vertical Installation Instructions

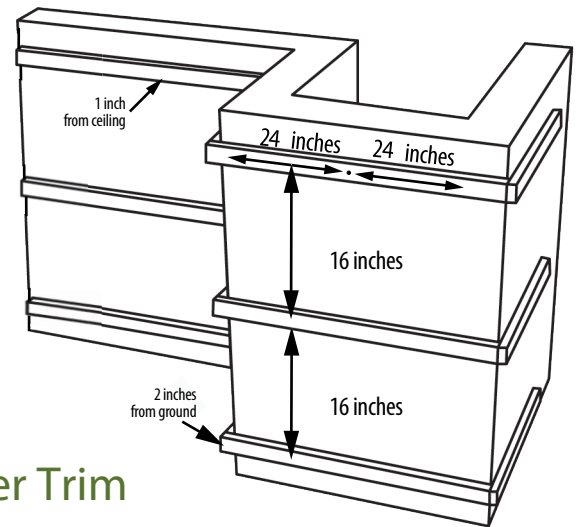
## 1. Furring Strips

A. We recommend using wood furring strips with a minimum thickness of 1" (actual thickness 3/4"). Furring strips are not required, provided there is adequate horizontal blocking inside the wall, behind the sheathing. Each cladding board should be supported by a furring strip NO MORE than 16" from center to center. Please note that extra furring strips may be required around obstacle areas such as windows, doors, and soffits, in order to create adequate joist support. Please leave a minimum of 2" between the ground and the bottom of the furring strip, as well as 1" between the ceiling and the top of the furring strip.

B. All Furring strips must be flat and level to the wall, please using shims in areas where it is required.

C. All Furring strips must be fixed with screws spaced no more than 24" apart.

D. Sylvanix recommends using a code-approved water-resistant barrier behind our cladding. Please consult a building professional regarding water barriers and insulation for your project.

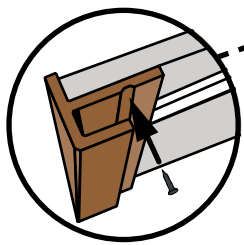


## 2. Installation of F-Trim Trim and Outer Corner Trim

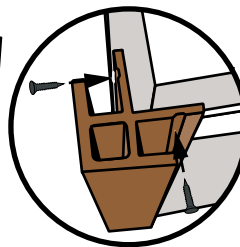
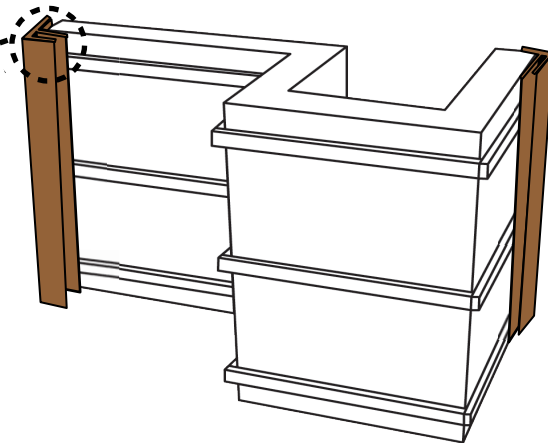
A. Using the color match screws, secure the F-Trim to the outermost edges and Outer Corner Trim to all outside corners. Please note, Inside Corner Trim can also be used to finish the edge of cladding area instead of F-Trim.

B. With the spacing of fasteners determined by the spacing of the furring strips, use one color match screw to fasten trim boards at each furring strip.

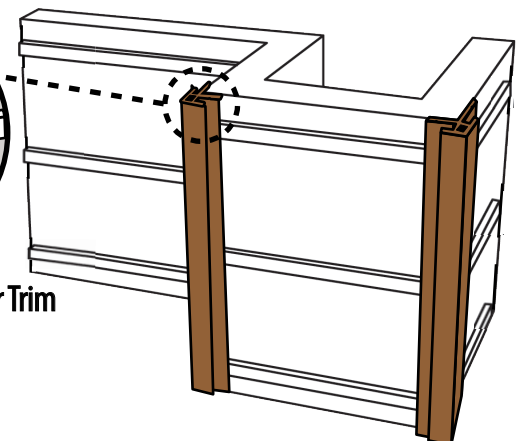
C. Please allow a minimum of 1" between the bottom of the Trim piece and the ground.



**Designer F-Trim**  
HLYC-014F



**Designer Outer Corner Trim**  
HLYC-015F

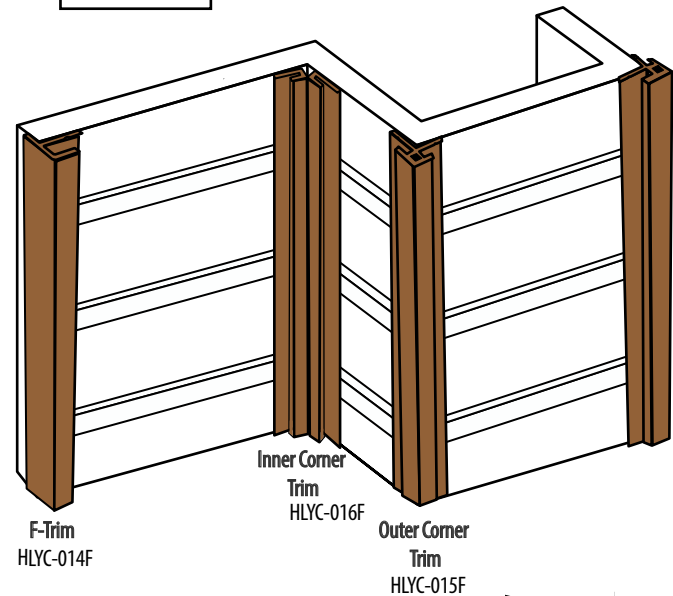
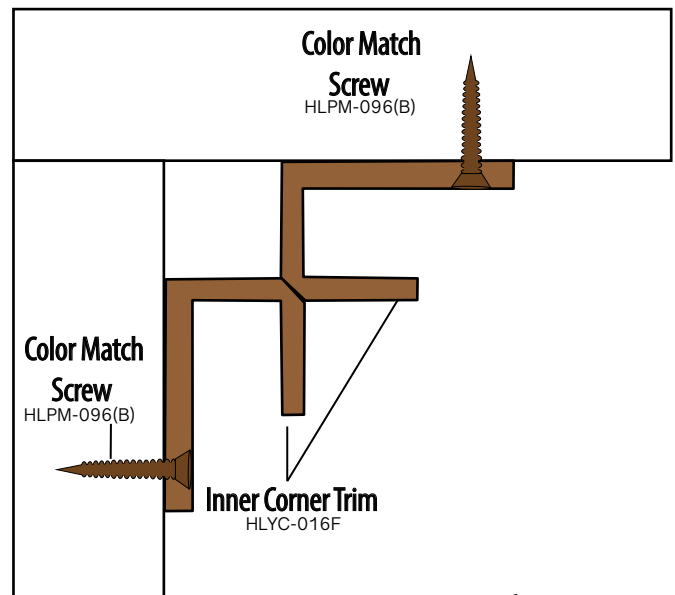




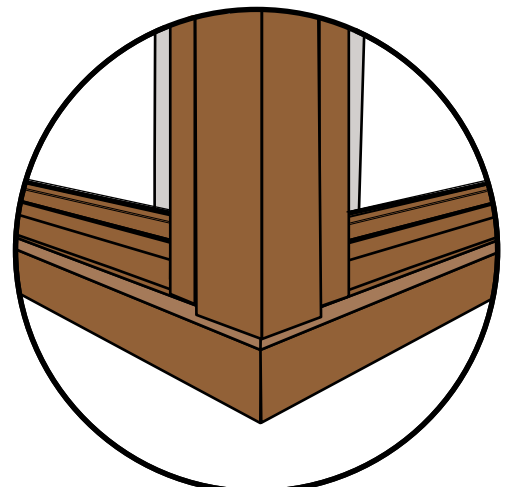
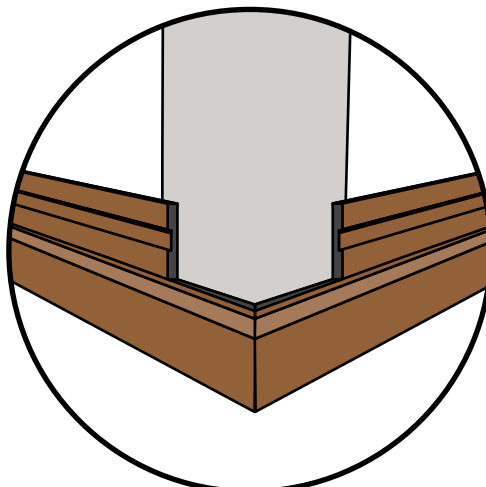
# Vertical Installation Instructions

## 3. Installation of Inner Corner Trim

- A. Using the color match screws, secure two pieces of inside corner trim to complete an inner corner. Sylvanix highly recommends pre-drilling with a countersink drill bit whenever fastening directly into Sylvanix trims or cladding boards.
- B. With the spacing of fasteners determined by the spacing of furring strips, use one color match screw to fasten Inner Corner Trim at each furring strip
- C. Please allow a minimum of 1" between the bottom of the trim piece and the ground.
- D. For ease of installation, it is generally recommended to install all cladding trims first, before installaing the cladding boards.



**Please note: F-Trim or Inner Corner Trim can be used horizontally to finish the cladding boards at the top & bottom of the wall. Please note that these trims must be "notched" to accommodate any vertical trims.**



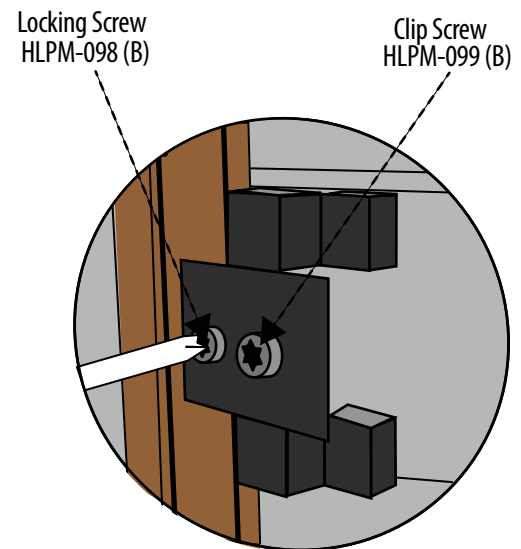
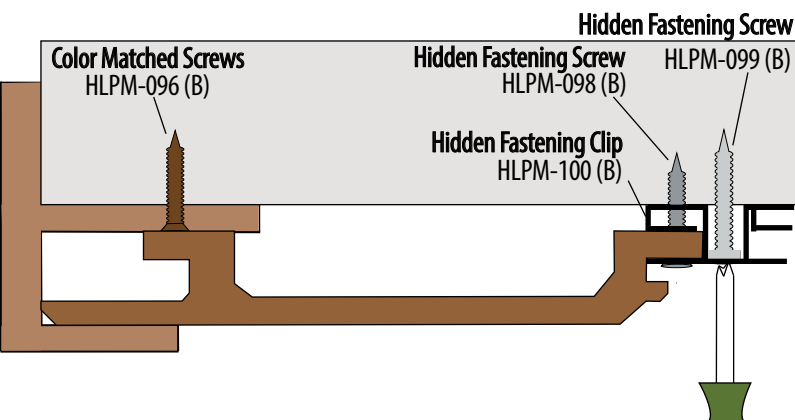
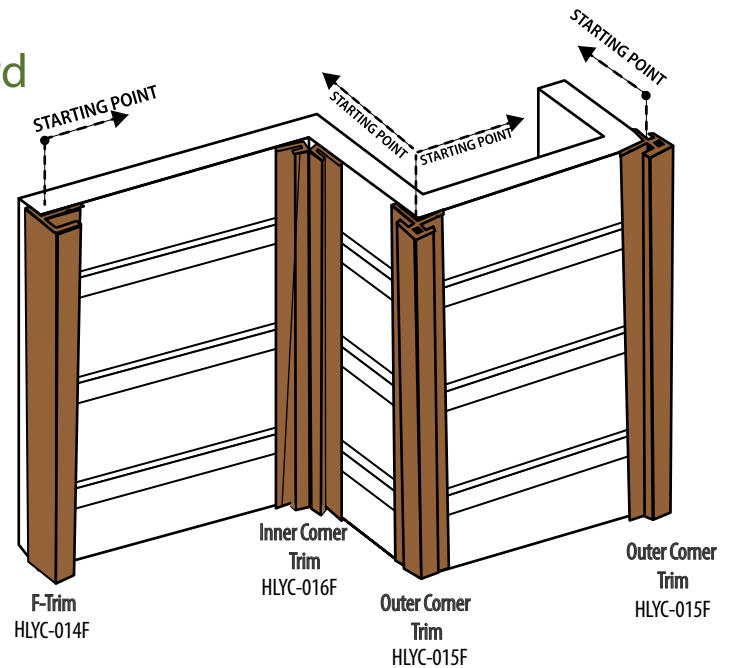
# Vertical Installation Instructions

## 4. Installation of First Cladding Board

A. For ease of installation, it is generally recommended to follow the installation flow shown on the diagram to the right. Typical best practice is to start at the outermost points, and work inward.

B. Insert the correct side of the first cladding board into the trim piece as per the diagram below.

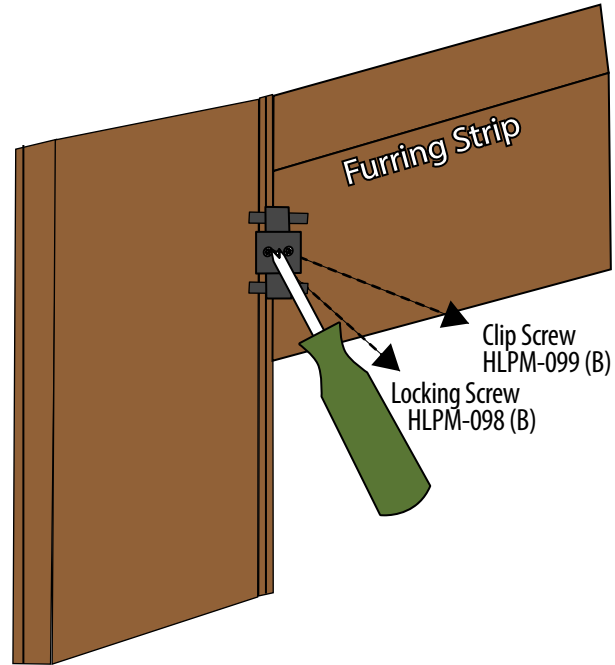
C. On the opposite side of the first cladding board, use the Hidden Fastening Clip and Hidden Fastening Screws to secure the cladding board to the furring strip or wall.



D. Continue installing Hidden Fastening Clips on the cladding board every 16"

# Vertical Installation Instructions

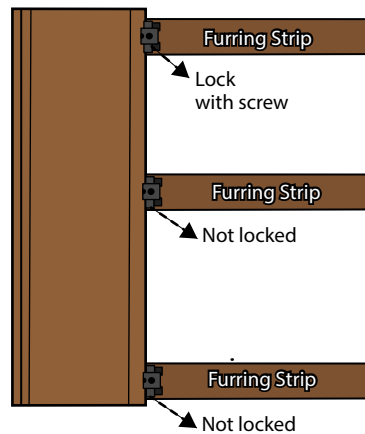
E. During the vertical installation of each cladding board, it is required to use the locking screws on the top clip or the top two clips only.



F. On board lengths below 6', it is required to "lock" the first clip at the top of the board only. Board lengths of 6' or longer will require the top two clips to be "locked" using the locking screw". Please see the diagram to the right.

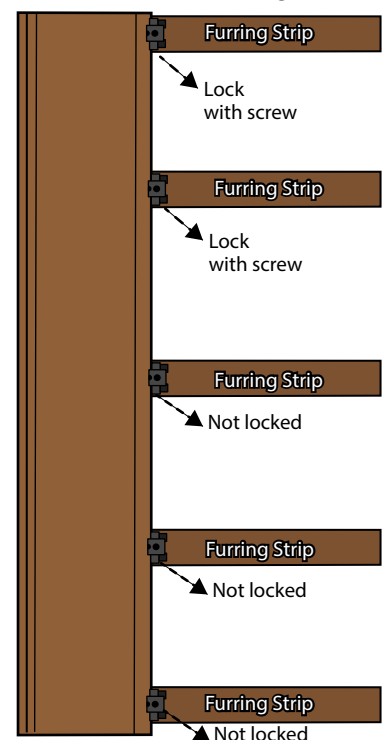
## Vertical Installation

Boards below 6 foot in length



## Vertical Installation

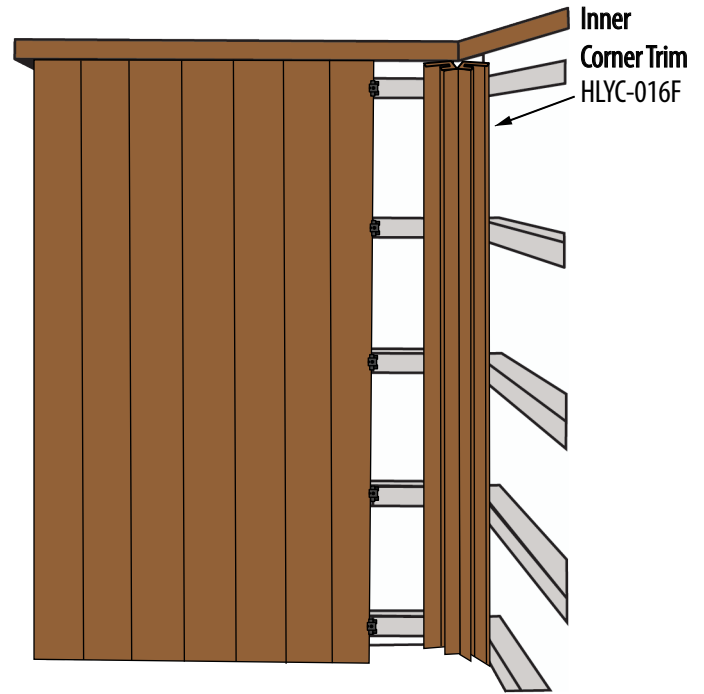
Boards 6 foot or longer



# Vertical Installation Instructions

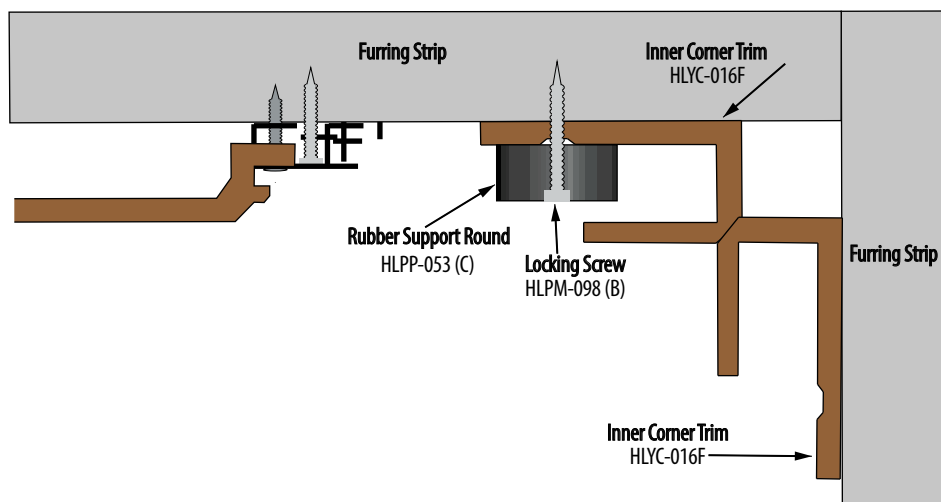
G. After the Hidden Fastening Clips have been installed on the first board, slide the second board over the previously installed clips. Begin installation of the second board's hidden fastening clips, and continue this process until you reach the end of the run.

H. Please allow a minimum of 1" between the bottom of the Cladding Board and the ground.



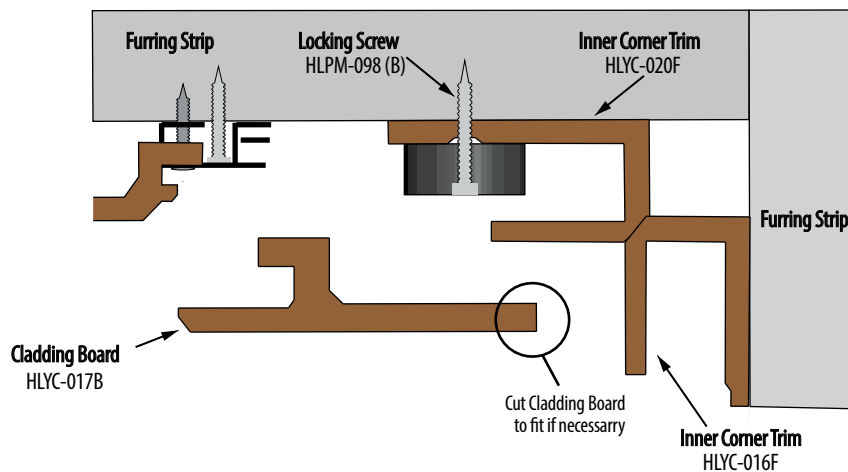
## 5. Installing the Last Cladding Board

A. Before installing the last vertical cladding board, a Rubber Support Round will need to be fastened every 16" in the final trim piece at the end of the run. The locking screws can be used to fasten the Rubber Supports if needed.

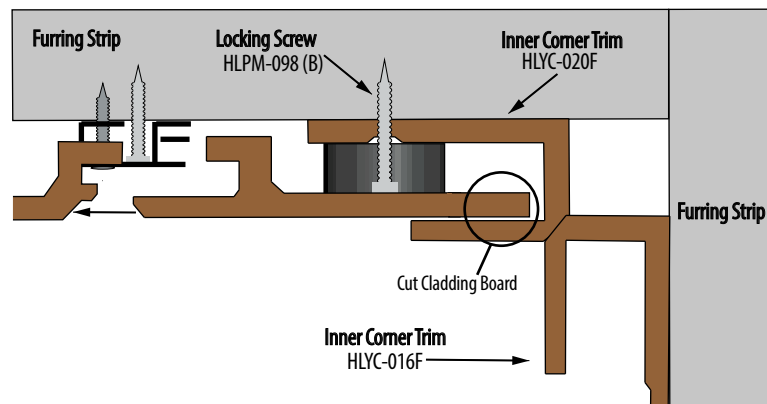


## Vertical Installation Instructions

B. When installing the last cladding board on the wall, be sure to measure the distance between the final trim piece, and the previously installed cladding board. Use this dimension to make the appropriate cut on the last vertical Designer Collection Board.



C. For ease of installation, it is recommended to place the last cut board all the way into the trim profile, and sliding the board back to fit into the previous board's clips. Use the color match screw to face screw the last cladding board every 16". Pre-drilling with a countersink drill bit is highly recommended.



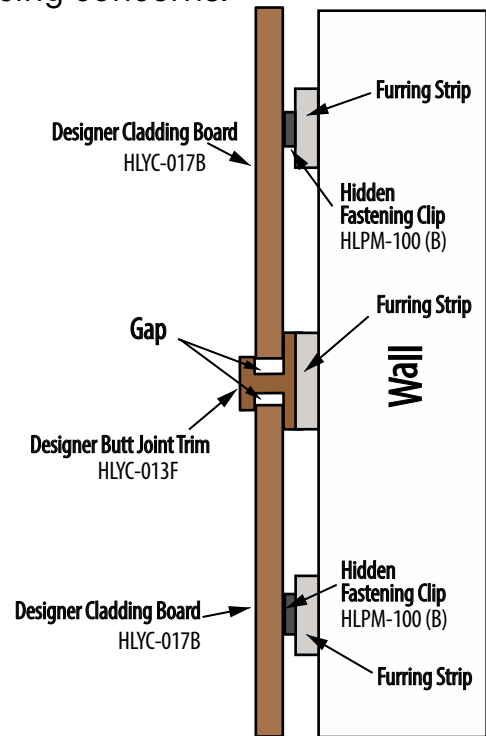


# Vertical Installation Instructions

## 6. Butt-Joints

A. For areas where butt joints are present (e.g. In between first and second level) butt joint trim can be used to cover any gapping or spacing concerns.

B. After cladding boards have been installed on the first course, fasten the Butt Joint Trim directly onto the top of the lower level boards. Once Butt Joint Trim has been fastened, upper level cladding boards can be placed into the top of Butt Joint Trim piece. See diagram to the right.



C. If Butt Joint Trim is not used, follow the diagram to the right for proper clip installation. Please refer to the temperature requirements on Page 3.

Not Locking

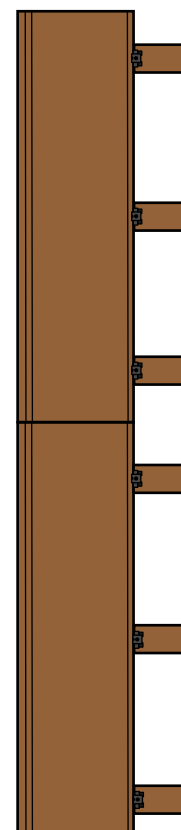
Not Locking

Lock with screw

Lock with screw

Not Locking

Not Locking

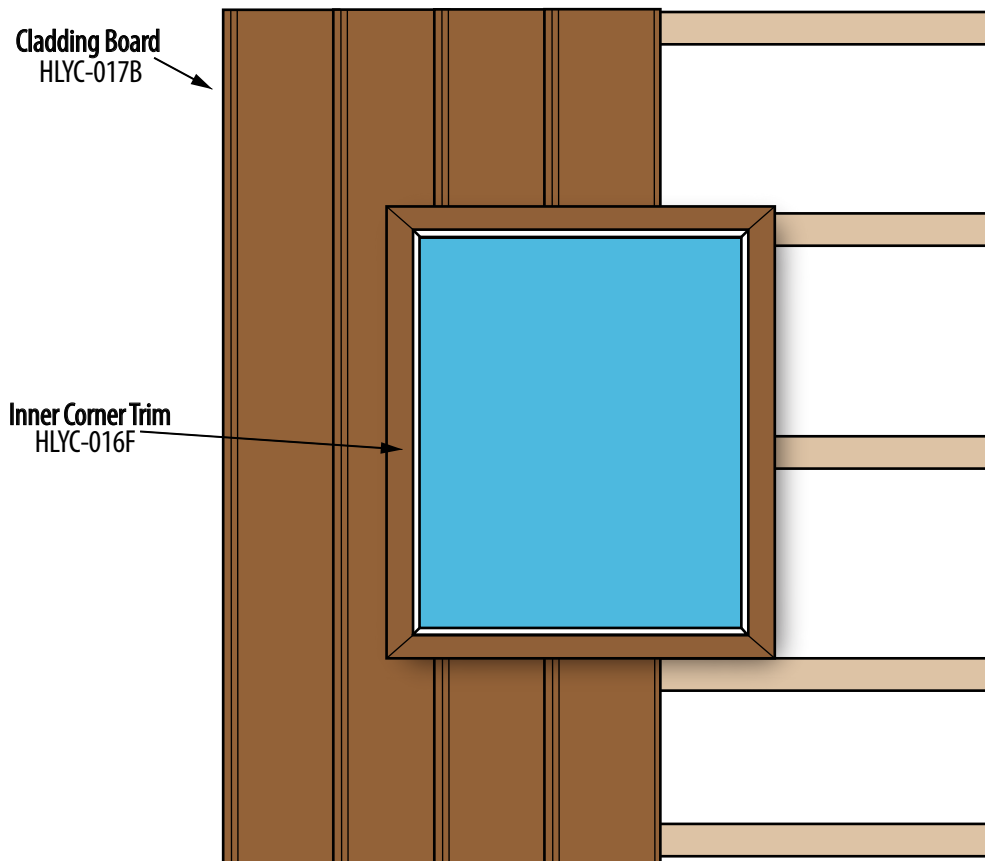


Where butt joints occur, only the clips on each side of the butt joint receive a locking screw. All other clips on the board receive the clip crew only.

# Vertical Installation Instructions

## 7. Trim For Windows And Doors

A. Designer Inner Corner Trim or Designer F-Trim can be used around windows and door openings to create a seamless transition from cladding boards to window or door areas. Please keep in mind the expansion and contraction spacing requirements on Page 3.



**Please note:** Designer Collection trim can also be used as trim along the top or bottom of cladding wall. Please keep in mind the expansion and contraction spacing requirements given on Page 3

# Finishing Up

## Additional Information

The diagrams and instructions provided in this manual are for reference only. Determination of the effectiveness, suitability, and safety of any application or use of Sylvanix products is solely the responsibility of the installer. Building code regulations vary, and the installer must consult local building and safety codes for specific requirements prior to the application of Sylvanix cladding products.

Visit our website for any additional information.

Please note: Any deviation from these recommendations could void Sylvanix cladding warranty.

---

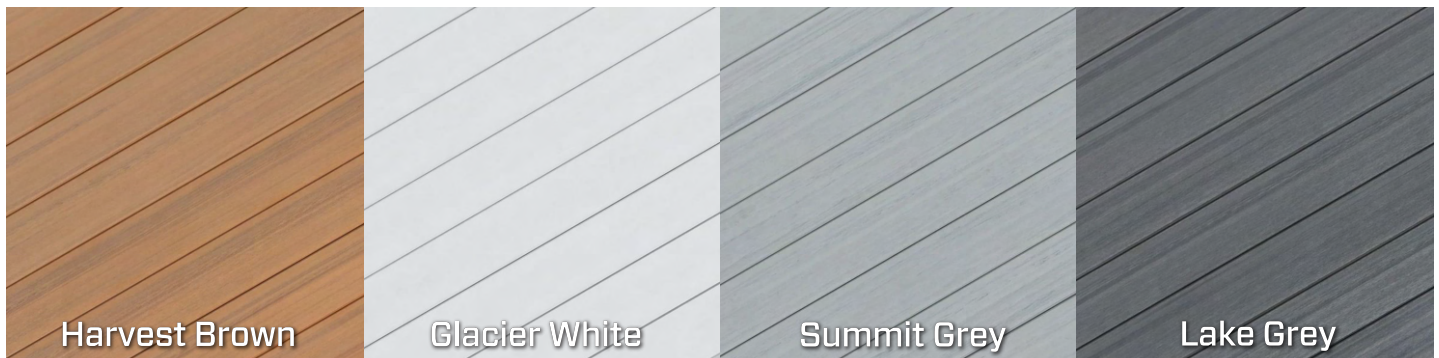
## Find us on Social Media!

@SylvanixOutdoorProducts

SYLVANIX.COM

---

## Color Palette





designercollection™

