

# SOAR SIGNATURE COMPOSITE CLADDING INSTALLATION GUIDE



# Table of Contents

---

|  |    |
|--|----|
| Installation Guidelines .....              | 2  |
| Getting Started .....                      | 3  |
| List of Materials .....                    | 4  |
| Vertical Installation Instructions .....   | 6  |
| Horizontal Installation Instructions ..... | 13 |
| Finishing Up .....                         | 19 |

## Installation Guidelines

**IMPORTANT:** Please review all sections of this manual before beginning installation.

### Pre Installation

The diagrams and instructions provided in this manual are for reference only. Determination of the effectiveness, suitability, and safety of any application or use of Sylvanix products is solely the responsibility of the installer. Building code regulations vary, and the installer must consult local building and safety codes for specific requirements prior to the application of Sylvanix cladding products.

Basic woodworking tools, such as a saw (table and portable saws), impact drill, hand drill, etc. can be used.

Please note that the use of Sylvanix fasteners is required when installing Sylvanix cladding products.

### Cladding Profile Application

Sylvanix cladding materials can not be used as a main support system. This includes using profiles as beams, columns and other load-bearing structures. Sylvanix Cladding must be combined with other code-compliant load-bearing structures.

# Getting Started

## Planning and Design

Before the installation of Sylvanix cladding, it is recommended to prepare a site drawing of your specific project to minimize errors and ensure your project goes according to plan. Planning before project installation can also help ensure that the cladding installation meets local building codes and zoning ordinances.

## Material Storage

Store Cladding materials on a rigid, smooth, and flat surface. Keep profiles covered, and off the ground on a surface that is protected from direct exposure to weather and sunlight. Do not store cladding in a damp or stagnant environment.

## Expansion and Spacing Considerations

All cladding materials, whether wood or composite, undergo some degree of linear expansion with the change of weather and the seasons. For best results, keep cladding profiles out of direct sun during storage and cutting processes, and throughout installation, if possible. To compensate for the effects of expansion and contraction, we require installers to follow our spacing requirements shown below.

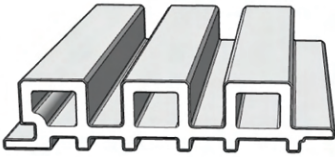
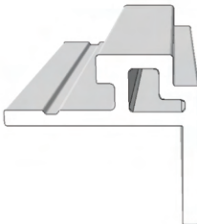
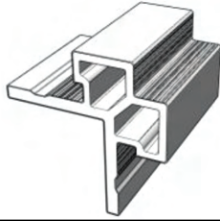
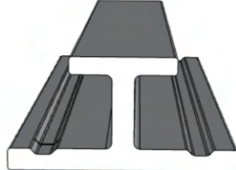
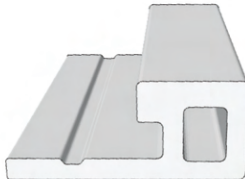
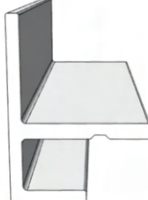
**Please Note:** For cladding end-to-end spacing and end-to-structure spacing, the below requirements must be met for full Sylvanix Warranty Coverage.

## Cladding Spacing by Ambient Temperature

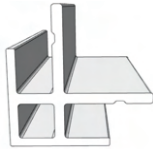
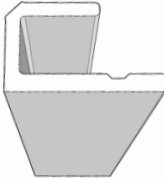
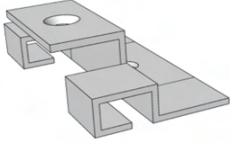



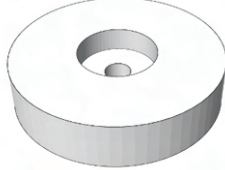
| Ambient Temperature (°F)  | < 35°    | 36° - 69° | 70° - 89° | 90°+      |
|---------------------------|----------|-----------|-----------|-----------|
| Spacing for Soar Cladding | 1/3 inch | 1/4 inch  | 1/8 inch  | 1/16 inch |

Always consider linear expansion and contraction when installing Sylvanix cladding. If temperature fluctuates during installation, the gapping between board ends and trim pieces must be changed accordingly. Sylvanix Soar Signature Cladding complies with all major building codes.

## List of Materials

| Product Name                           | Item Code | SKU         | Image   | Application   |
|--|-----------|-------------|---|---|
| <b>Soar Cladding Board</b>             | HLYC-018F | SOAR12CLAD  |   | Decorative Wall Cladding with a board exposure of 5.5"  |
| <b>Soar End Trim VERTICAL</b>          | HLYC-019F | SOAR12LTRM  |    | Used to terminate cladding boards at an outside corner.   |
| <b>Soar Outer Corner Trim VERTICAL</b> | HLYC-021F | SOAR12OUTRV |   | Used to transition cladding boards around an outside corner   |
| <b>Soar Butt Joint Trim</b>            | HLYC-013F | SOAR12ITRM  |  | Can be used to join 2 cladding boards on runs that extend longer than 12'. Used on Vertical & Horizontal applications |
| <b>Soar Inner Corner Trim VERTICAL</b> | HLYC-020F | SOAR12INNRV |  | Used to transition cladding boards around an inside corner. Can also be used as trim around window & door openings.   |
| <b>Soar F-Trim HORIZONTAL</b>          | HLYC-14F  | SOAR12FTRM  |  | Used to terminate cladding boards at an outside corner.   |

# List of Materials

| Product Name                                   | Item Code    | SKU          | Image  | Application  |
|--|--------------|--------------|--|--|
| <b>Soar Outer Corner Trim</b><br>HORIZONTAL    | HLYC-015F    | SOAR12OUTRH  |     | Used to transition cladding boards around an outside corner  |
| <b>Soar Inner Corner Trim</b><br>HORIZONTAL    | HLYC-16F     | SOAR12INNRH  |     | Used to transition cladding boards around an inside corner. Can also be used as trim around window & door openings.                                |
| <b>Hidden Fastening Clip</b>                   | HLPM-103 (B) | SOARFASTENER |     | Used for installation of the Soar Signature Cladding Boards<br>Sold in 100sqft hidden fastener buckets that include Clip Screws and Locking Screws |
| <b>Hidden Fastening Screw</b><br>Clip Screw    | HLPM-102 (B) | SOARFASTENER |  | Used to secure the hidden fastening clip directly to the furring strip or wall<br>Included in 100sqft hidden fastener bucket                       |
| <b>Hidden Fastening Screw</b><br>Locking Screw | HLPM-101 (B) | SOARFASTENER |  | Used to secure the cladding board through the clip directly to the furring strip or wall<br>Included in 100sqft hidden fastener bucket             |
| <b>Color Matched Screw</b>                     | HLPM-097 (B) | 97BSCREW50U  |  | Color Matched Screws for fastening trims, final boards, and any finishing work<br>Screw length is 1-7/8," and 1 Pack includes 50 pieces            |
| <b>Thin Rubber Support</b><br>HORIZONTAL       | HLPP-054 (C) | HLPP054C     |   | Used to install the first cladding board, and final cladding board during horizontal installation<br>1 Pack includes 8 pieces                      |

*\*When metal furring strips are used, please consult the manufacturer on fastener specifications.*

*\*Sylvanix cladding trims can be used in a variety of ways. Please consult the manufacturer with any project-specific trim questions.*

# Vertical Installation Instructions

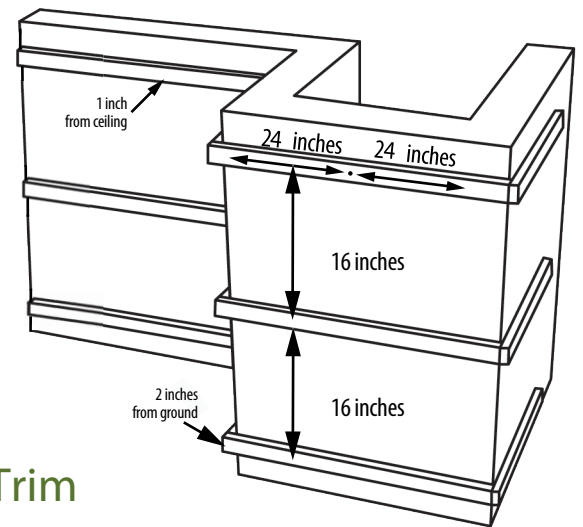
## 1. Furring Strips

A. We recommend using wood furring strips with a minimum thickness of 1" (actual thickness 3/4"). Furring strips are not required, provided there is adequate horizontal blocking inside the wall, behind the sheathing. Each cladding board should be supported by a furring strip NO MORE than 16" from center to center. Please note that extra furring strips may be required around obstacle areas such as windows, doors, and soffits, in order to create adequate joist support. Please leave a minimum of 2" between the ground and the bottom of the furring strip, as well as 1" between the ceiling and the top of the furring strip.

B. All Furring strips must be flat and level to the wall, please using shims in areas where it is required.

C. All Furring strips must be fixed into the studs with screws spaced no more than 24" apart.

D. Sylvanix recommends using a code-approved water-resistant barrier behind our cladding. Please consult a building professional regarding water barriers and insulation for your project.

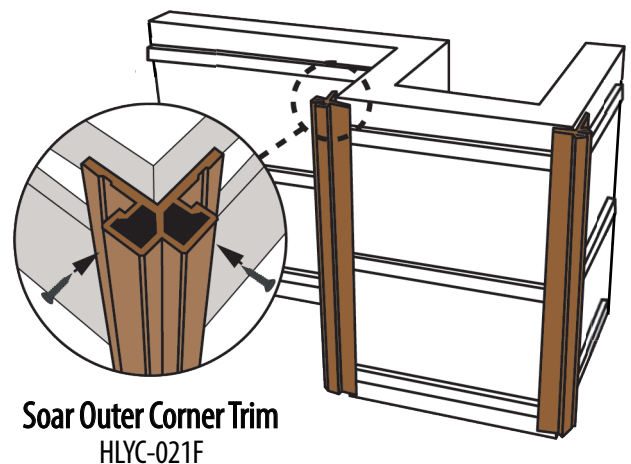
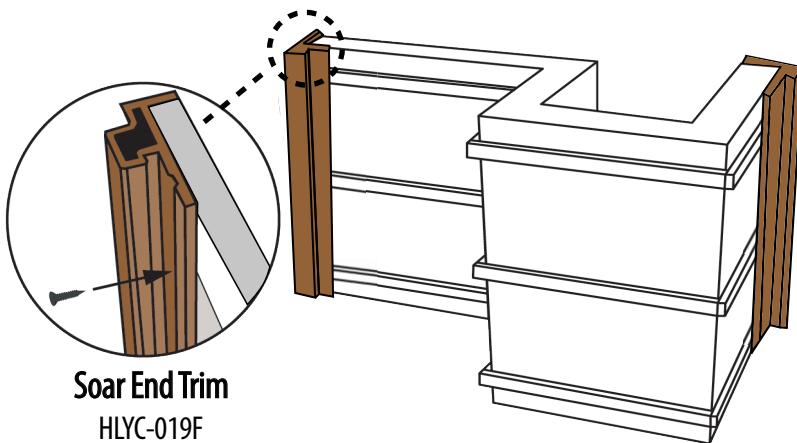


## 2. Installation of End Trim and Outer Corner Trim

A. Using the color match screw, secure the End Trim to the outermost edges and Outer Corner Trim to all outside corners. Inside Corner Trim can also be used to finish the edge of cladding area instead of End Trim.

B. With the spacing of fasteners determined by the spacing of the furring strips, use one color match screw to fasten trim boards at each furring strip.

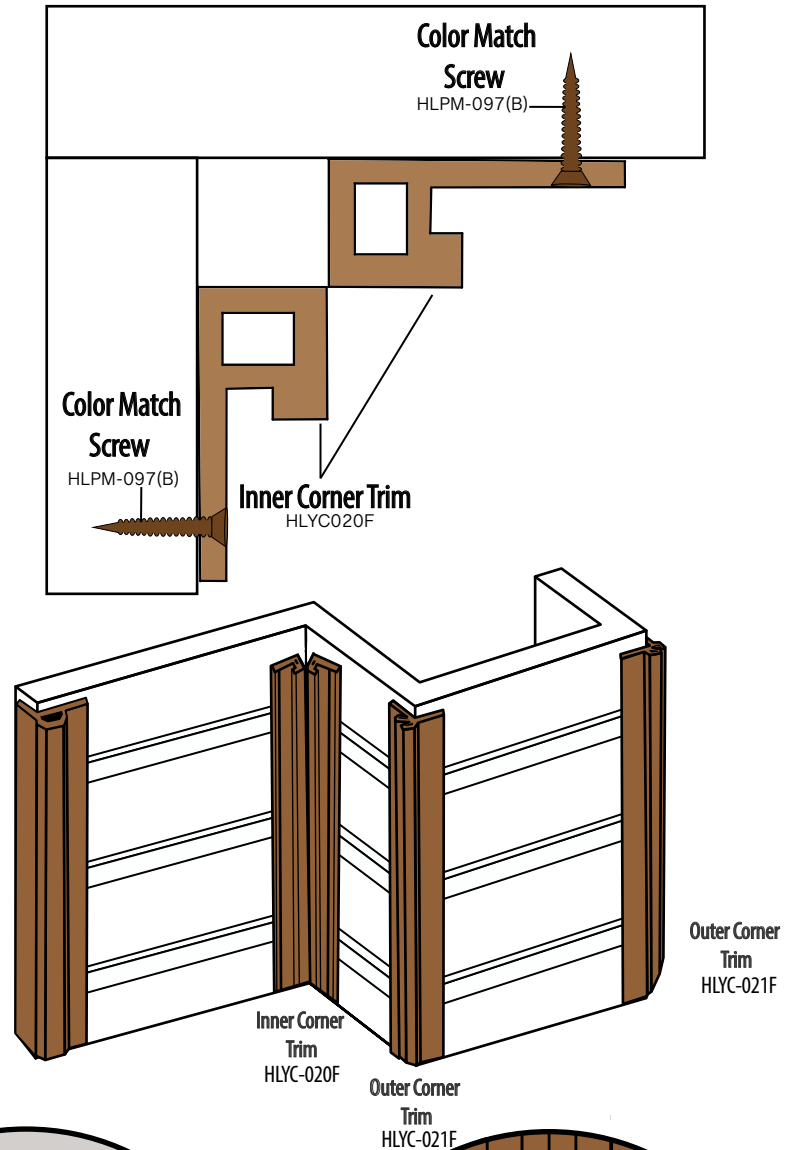
C. Please allow a minimum of 1" between the bottom of the Trim piece and the ground.



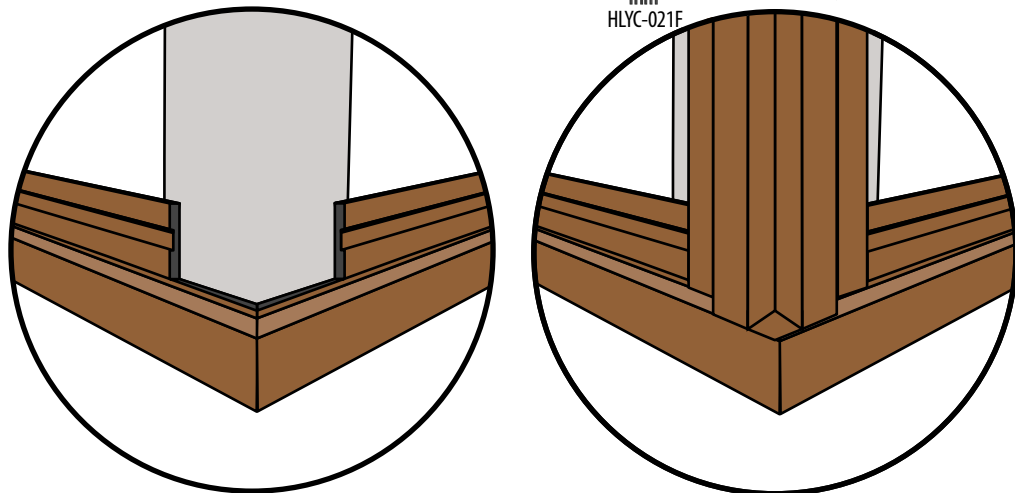
# Vertical Installation Instructions

## 3. Installation of Inner Corner Trim

- A. Using the color match screw, secure two pieces of inner corner trim to complete an inside corner. Sylvanix recommends pre drilling anytime the material is directly fastened to eliminate any chance of damaging the trims and cladding boards.
- B. With the spacing of fasteners determined by the spacing of furring strips, use one color match screw to fasten Inner Corner Trim at each furring strip
- C. Please allow a minimum of 1" between the bottom of the trim piece and the ground.
- D. For ease of installation, it is generally recommended to install all cladding trims first, before installaing the cladding boards.



**Please note: End Trim & Inner Corner Trim can be used horizontally to finish the cladding boards at the top or bottom of the wall. Please note that these trims must be "notched" to accommodate any vertical trims.**



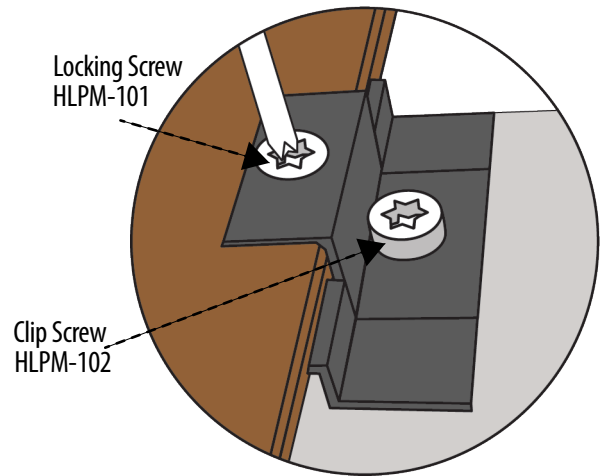
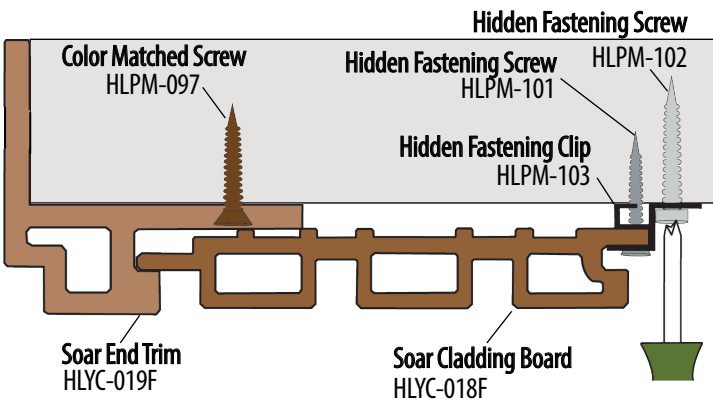
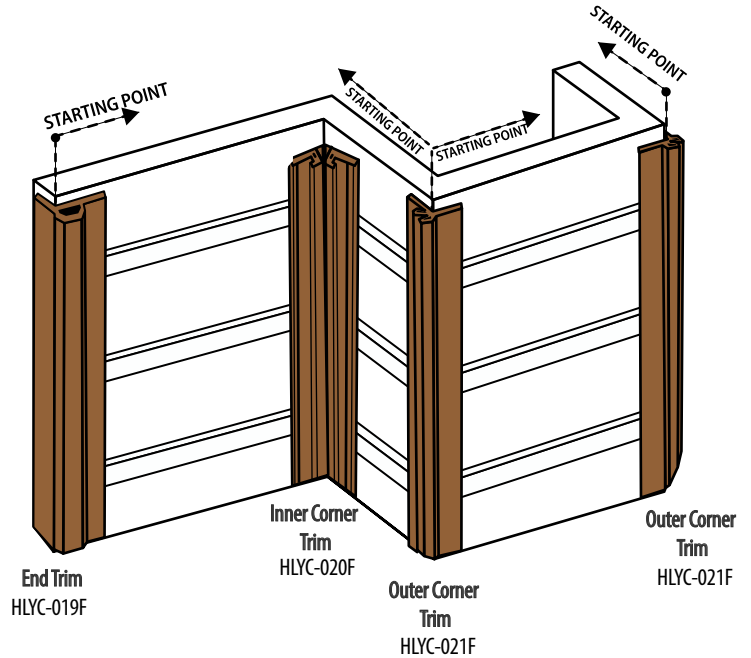
# Installation of Soar Signature Cladding Boards

## 4. Installation of First Cladding Board

A. For ease of installation, it is generally recommended to follow the installation flow shown on the diagram to the right. Typical best practice is to start at the outermost points, and work inward.

B. Insert the male side of the first cladding board into the trim piece as per the diagram below.

C. On the female side of the first cladding board, use the Hidden Fastening Clip and Hidden Fastening Screws to secure the cladding boards to the furring strip or wall.

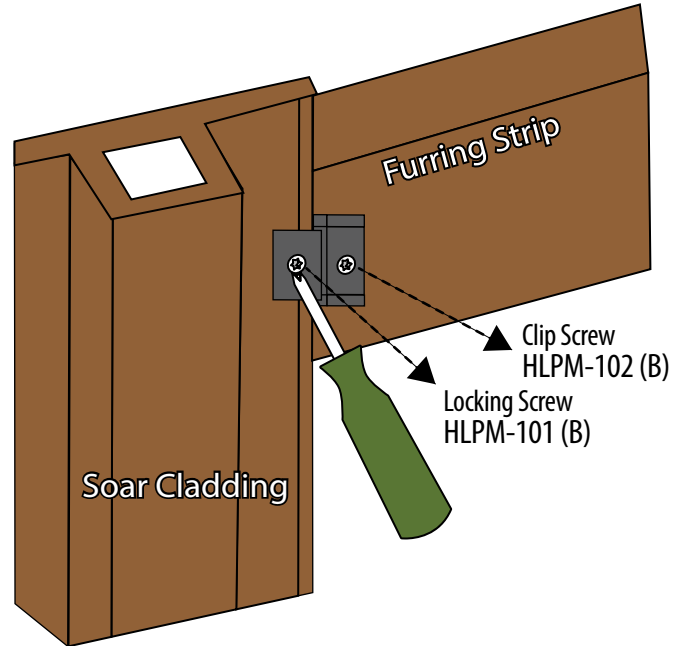


D. Continue installing Hidden Fastening Clips on the cladding board every 16"



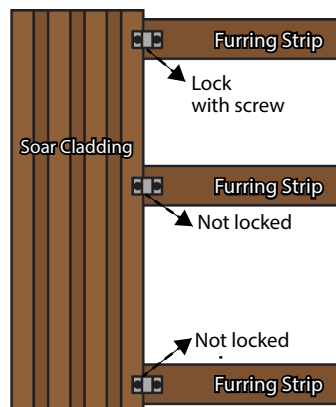
# Vertical Installation Instructions

E. During the vertical installation of each cladding board, it is required to use the locking screws on the top clip or the top two clips only.

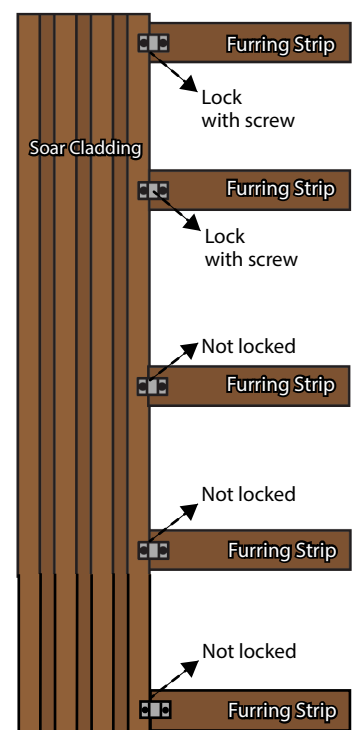


F. On board lengths below 6', it is required to "lock" the first clip at the top of the board only. Board lengths of 6' or longer will require the top two clips to be "locked" using the locking screw". Please see the diagram to the right.

**Vertical Installation**  
Boards below 6 foot in length



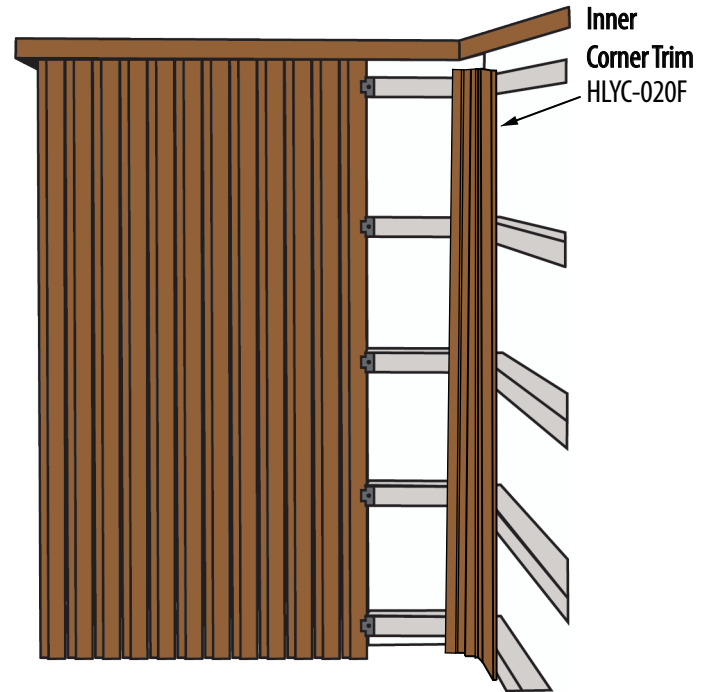
**Vertical Installation**  
Boards 6 foot or longer



# Vertical Installation Instructions

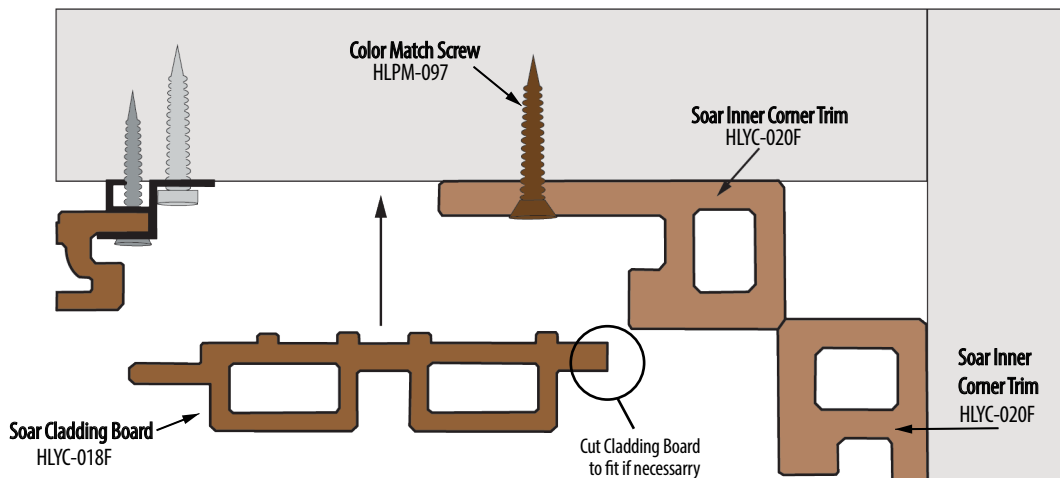
G. After the Hidden Fastening Clips have been installed on the first board, slide the second board over the previously installed clips. Begin installation of the second board's hidden fastening clips, and continue this process until you reach the end of the run.

H. Please allow a minimum of 1" between the bottom of the Cladding Board and the ground.



## 4. Installing the Last Cladding Board

A. When installing the last cladding board on the wall, be sure to measure the distance between the final trim piece, and the previously installed cladding board. Use this dimension to make the appropriate cut on the last Soar Cladding Board if needed.



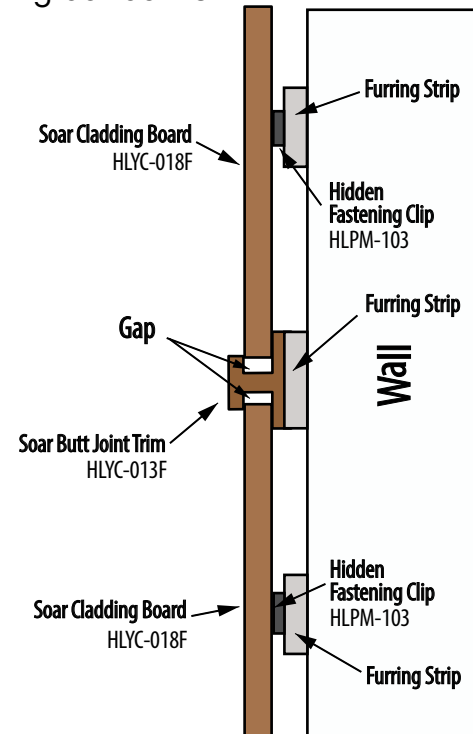
B. After the final board has been cut to the correct dimension, place the board over the previous board's clips, and use the color match screw to face screw this last cladding board every 16". Pre-drilling with a countersink drill bit is highly recommended.

# Vertical Installation Instructions

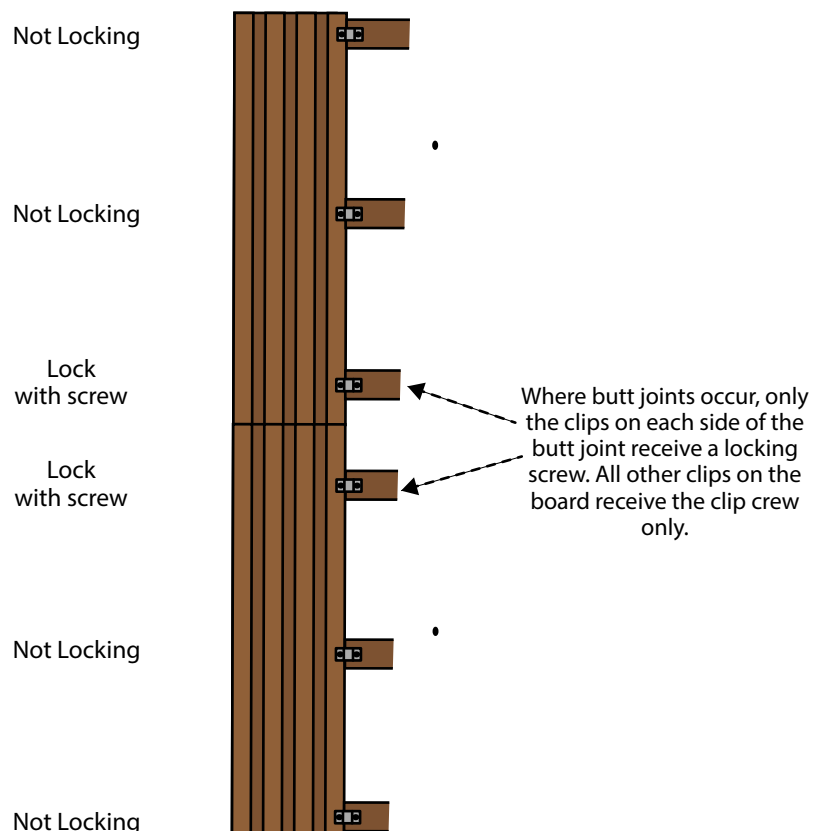
## 5. Butt-Joints

A. For areas where butt joints are present (e.g. In between first and second level) butt joint trim can be used to cover any gapping or spacing concerns.

B. After cladding boards have been installed, fasten the Butt Joint Trim directly onto the top of the lower level boards. Once Butt Joint Trim has been fastened, upper level cladding boards can be placed into the top of Butt Joint Trim piece. See diagram to the right,

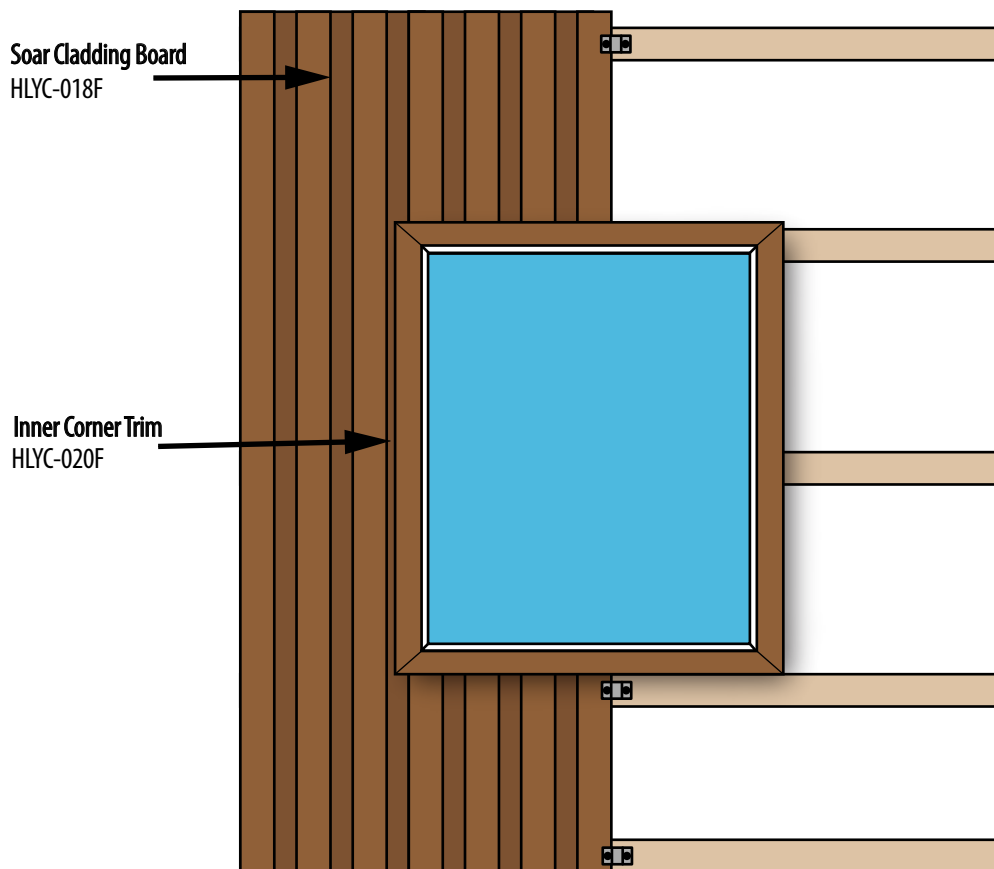


C. If Butt Joint Trim is not used, follow the diagram to the right for proper clip installation. Please refer to the temperature requirements on Page 3.



## 6. Trim For Windows And Doors

A. Soar Signature Soar End Trim or Inner Corner trim can be used around window and door openings to create a seamless transition from cladding boards to window and door areas. Please keep in mind the expansion and contraction spacing requirements given on Page 3.



**Please note:** Soar Signature trim can also be used as trim along the top or bottom of cladding wall. Please keep in mind the expansion and contraction spacing requirements given on Page 3

# Horizontal Installation Instructions

## 1. Furring Strips

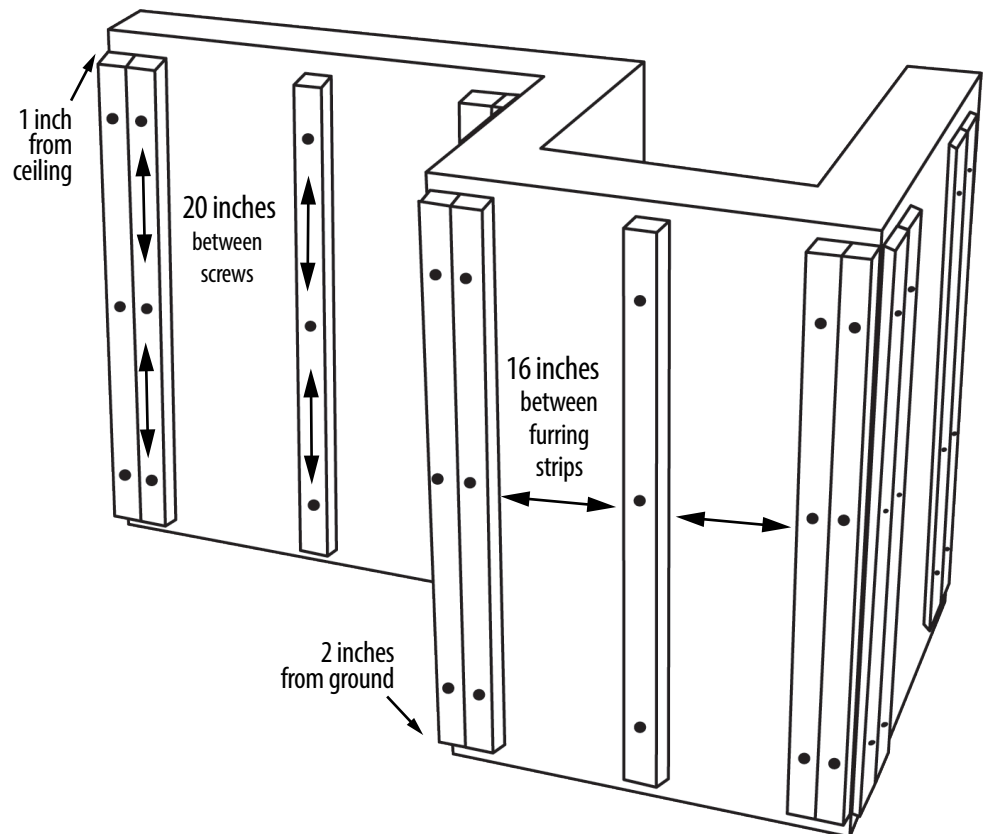
Unlike the Vertical Installation, Horizontal Installation does not require furring strips, provided that the Soar Cladding can be fastened to pre-existing studs. If pre-existing studs are not present for your project, furring strips will be required.

A. If Furring strips are required, we recommend using wood furring strips with a minimum thickness of 1" (actual thickness 3/4"). Each cladding board should be supported by a furring strip NO MORE than 16" from center to center. Please note that extra furring strips and blocking may be required around obstacle areas such as windows, doors, and soffits, in order to create adequate cladding support. Please leave a minimum of 2" between the ground and the bottom of the furring strip, as well as 1" between the ceiling and the top of the furring strip.

B. Furring strips must be flat and level to the wall. Please use shims in areas where it is required.

C. All furring strips must be fixed into the wall with screws spaced no more than 20" apart.

D. Sylvanix recommends using a code-approved water-resistant barrier behind our cladding. Please consult a building professional regarding water barriers and insulation for your project.



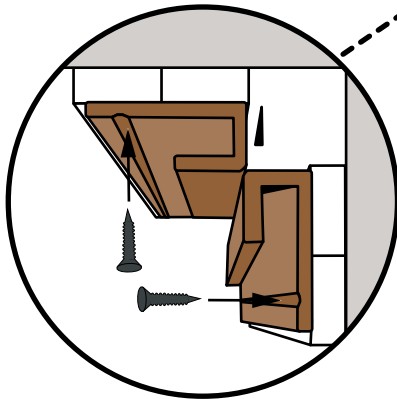
# Horizontal Installation Instructions

## 2. Installation of F-Trim, Outer Corner Trim, and Inner Corner Trim

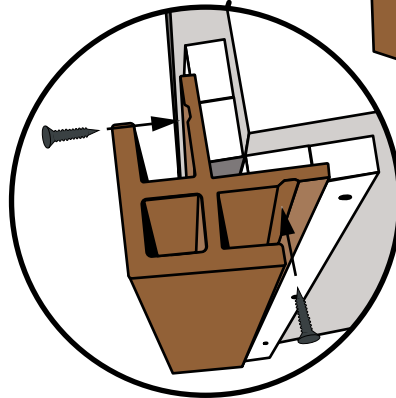
- A. Using the Color Matched Screws, secure the F-Trim to the outermost edges, and the Outer Corner Trim to all outside corners.
- B. Using the Color Matched Screws, secure the Inner Corner Trims to all inside corner areas.
- C. Please allow a minimum of 1" between the bottom of the trim piece and the ground.



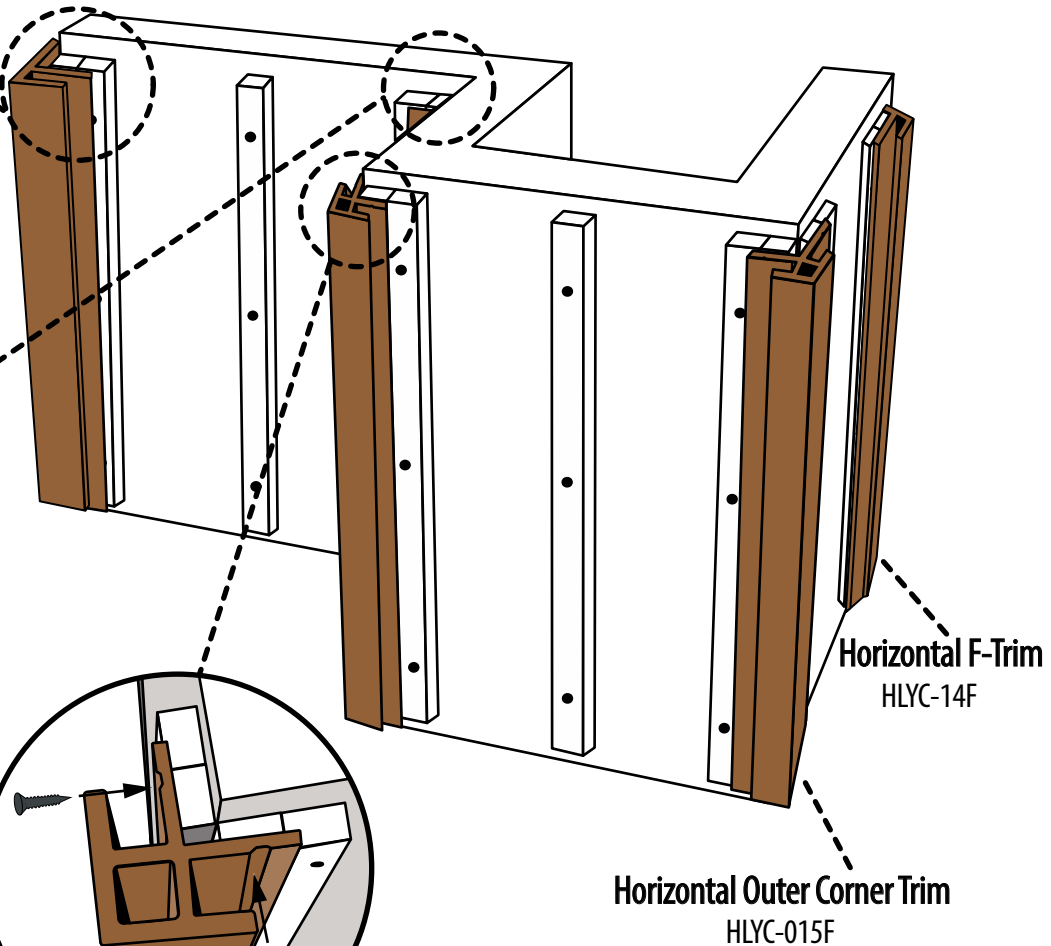
**Horizontal F-Trim**  
HLYC-14F



**Horizontal Inner Corner Trim**  
HLYC-016F



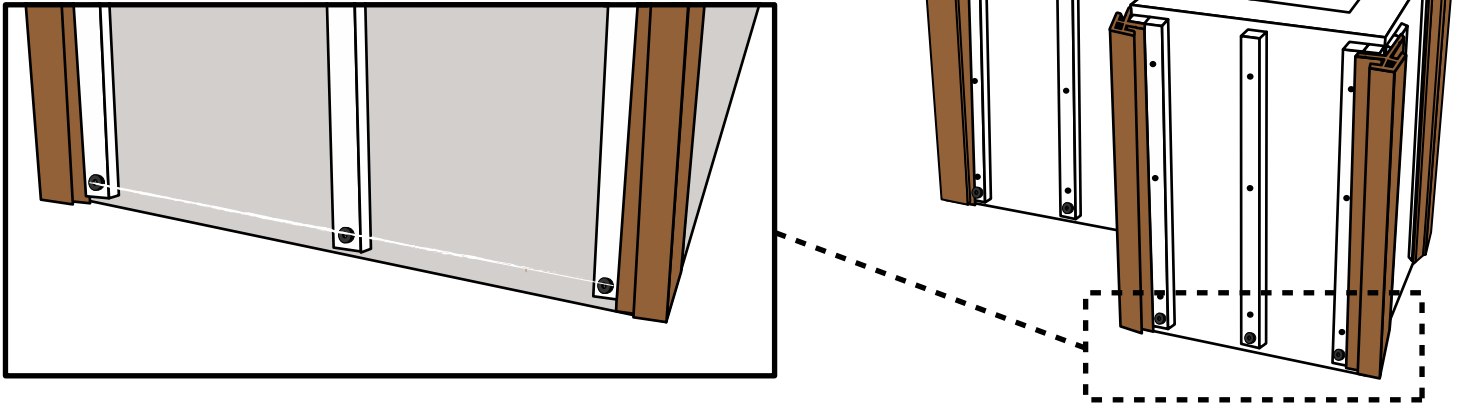
**Horizontal Outer Corner Trim**  
HLYC-015F



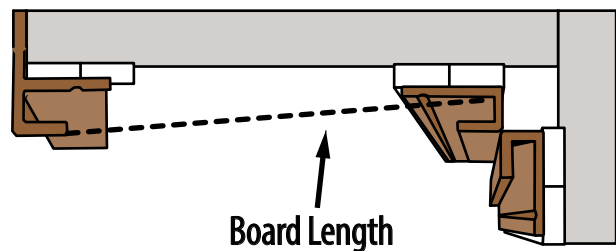
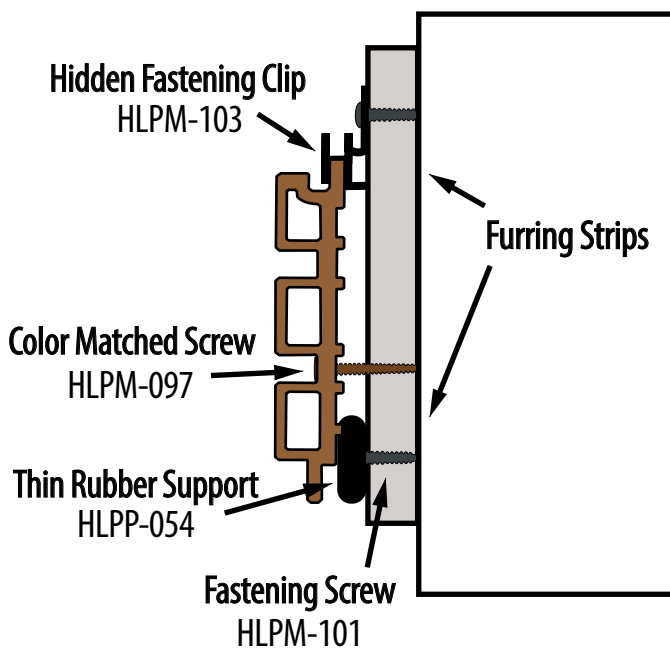
# Horizontal Installation Instructions

## 3. Installation of Soar Cladding Board

A. Using a chalk line, fasten a Thin Rubber Support every 16" along the bottom of the wall, or at the bottom of each furring strip.



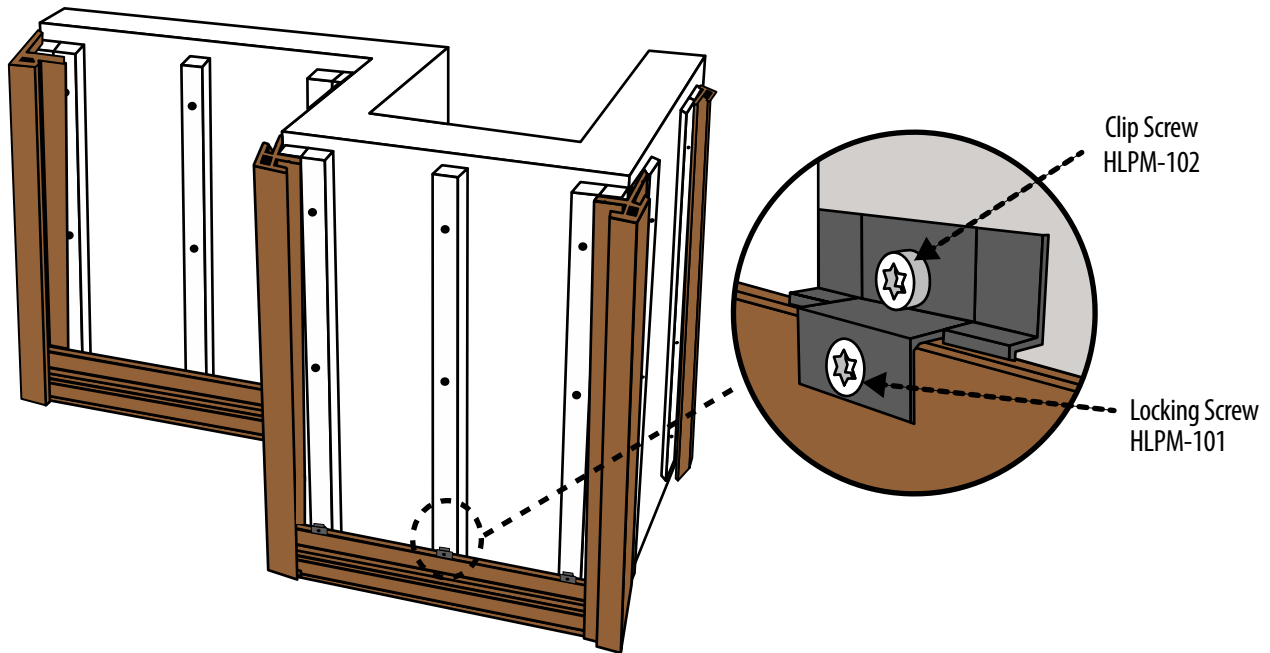
B. With the male end faced down, place the first Cladding Board over the Thin Rubber Supports along the bottom of the wall or furring strips. Using the color matched screw, face screw the first cladding board every 16" through the shallow part of the board profile. Pre-drilling with a countersink drill bit is highly recommended. After the first board has been secured using the color matched screws, begin placing Hidden Fastening Clips at the top of the first board.



Please note when installing a horizontal cladding board in between two trims, it is recommended to cut the boards to the above dimension. Measuring from the inside of the larger trim to the outside of the smaller trim will give you the correct board length to easily install the cladding board between two trims.

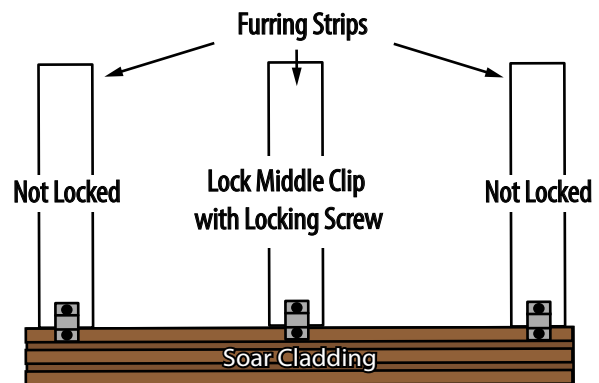
# Horizontal Installation Instructions

C. After the Hidden Fastening Clips have been placed on the top of the first board, use the Hidden Fastening Screws to secure the clips.



D. It is required to lock the clip at the center of each board using the locking screw. All other clips on a horizontal cladding board will receive the larger clip screw only.

Please see the diagram to the right for details

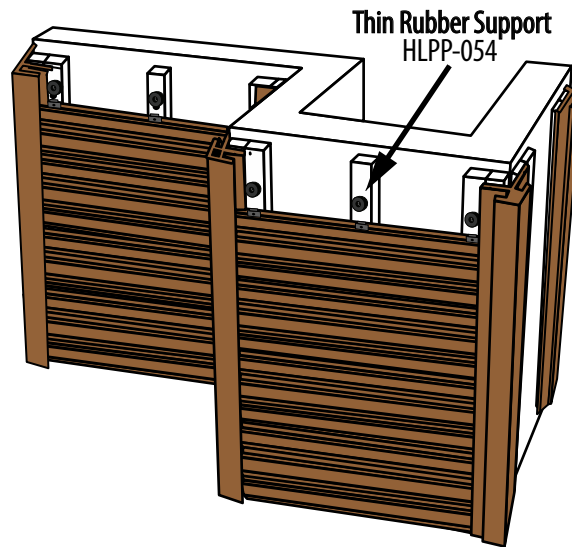




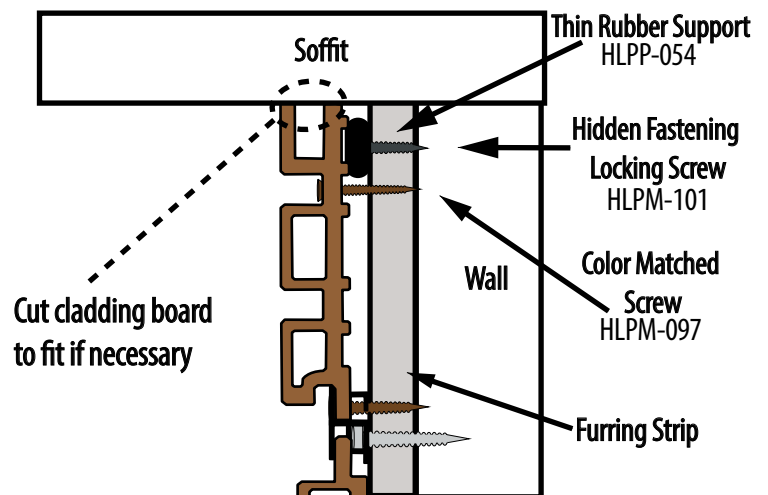
# Horizontal Installation Instructions

## 4. Installing the Last Cladding Board

A. Continue the process of installing clips and boards until you reach the top of the wall. Before installing the last cladding board, fasten a Thin Rubber Support every 16" along the top of the wall, or at the top of each furring strip. The Locking screws can be used to fasten the Rubber Supports if needed.



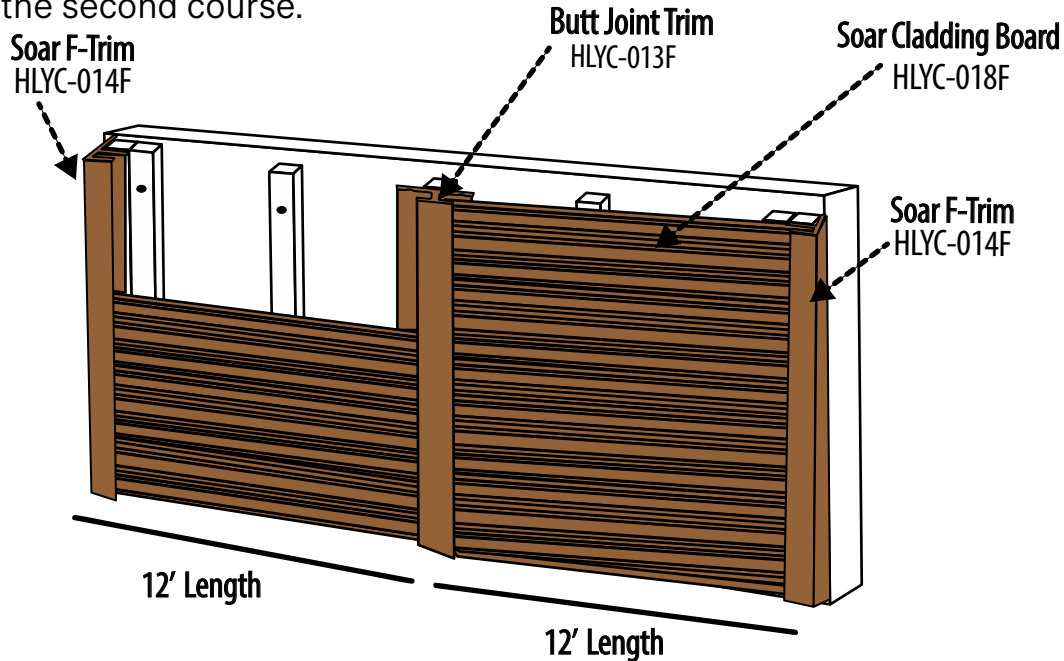
B. When installing the last cladding board, it may be necessary to cut the board to the correct size. Place the last cut board over the previously installed cladding board, and against the Thin Rubber Support. Face screw the last cladding board with a Color Matched Screw. Pre-drilling with a countersink drill bit is highly recommended.



# Horizontal Installation Instructions

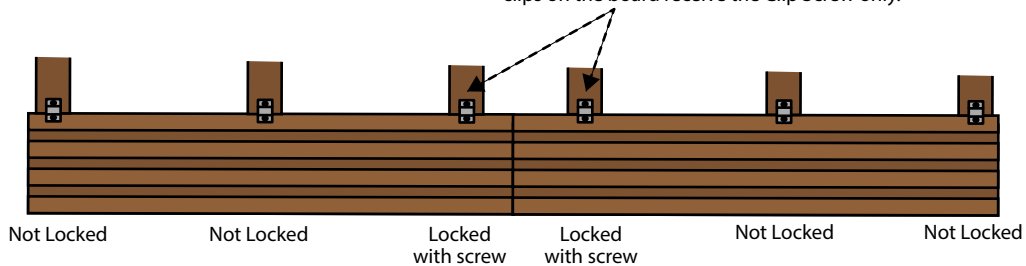
## 5. Butt Joints

A. On wall lengths that are greater than 12' in length, Sylvanix Butt Joint Trim can be used to join two cladding boards and extend the run. After the first course of boards is installed between the Butt Joint Trim and another trim piece, begin installing the boards on the second course.

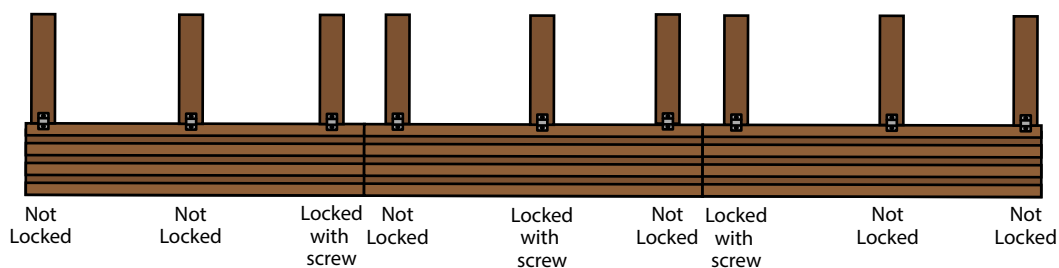


B. If Butt joint Trim is not used, follow the below diagram for proper clip installation.

On runs where butt joints occur, only the clips on each side of the butt joint receive a Locking Screw. All other clips on the board receive the Clip Screw only.



C. On runs that require 3 or more boards, it is recommended to follow the below clip installation method.



# Finishing Up

## Additional Information

The diagrams and instructions provided in this manual are for reference only. Determination of the effectiveness, suitability, and safety of any application or use of Sylvanix products is solely the responsibility of the installer. Building code regulations vary, and the installer must consult local building and safety codes for specific requirements prior to the application of Sylvanix cladding products.

Visit our website for any additional information.

Please note: Any deviation from these recommendations could void the Sylvanix cladding warranty.

---

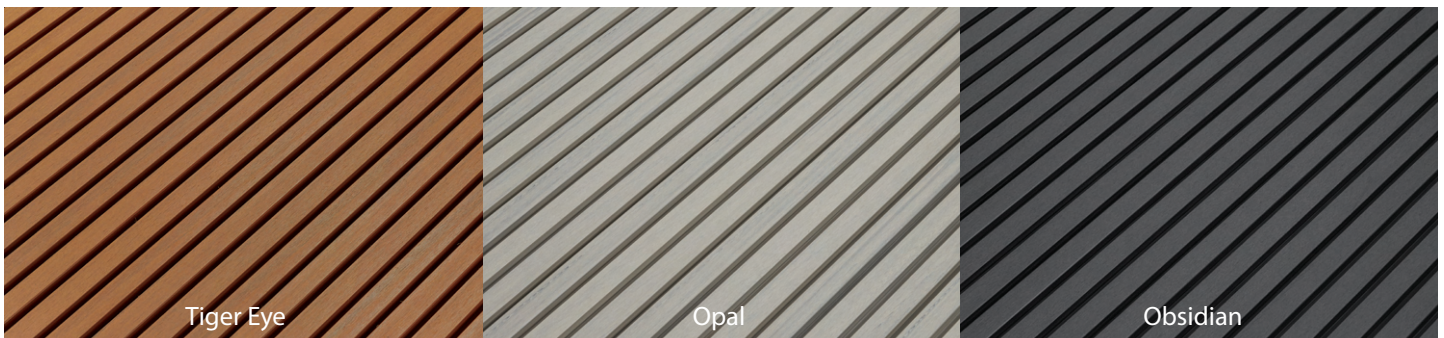
## Find us on Social Media!

@SylvanixOutdoorProducts

SYLVANIX.COM

---

## Color Palette



soar signature™



*Soar Signature  
Cladding in Tiger Eye*

  
**SYLVANIX**  
*outdoor products inc™*