

# L-Edging & L-Corner



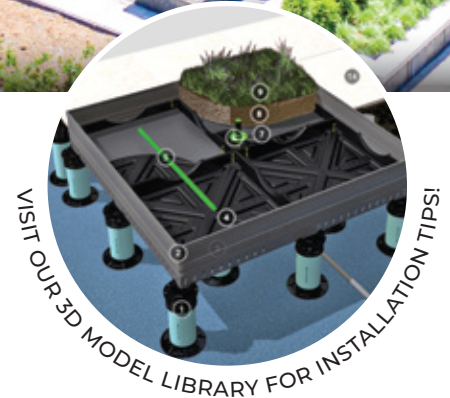
VISIT OUR 3D MODEL LIBRARY FOR INSTALLATION TIPS!

## 6061 Aluminum Metal

Tile Tech's landscape edging system is engineered for durability and precision. Crafted from 6061 aluminum and available in sleek anodized black or silver finishes, it guarantees longevity throughout your project's service life.

Featuring a horizontal leg with notches for effortless bending, this rigid, L-shaped perimeter ensures boundaries within rooftops and plazas. The innovative design enables seamless integration with overlay materials, making it an ideal choice for areas adorned with decorative stone or adjoining hardscapes.

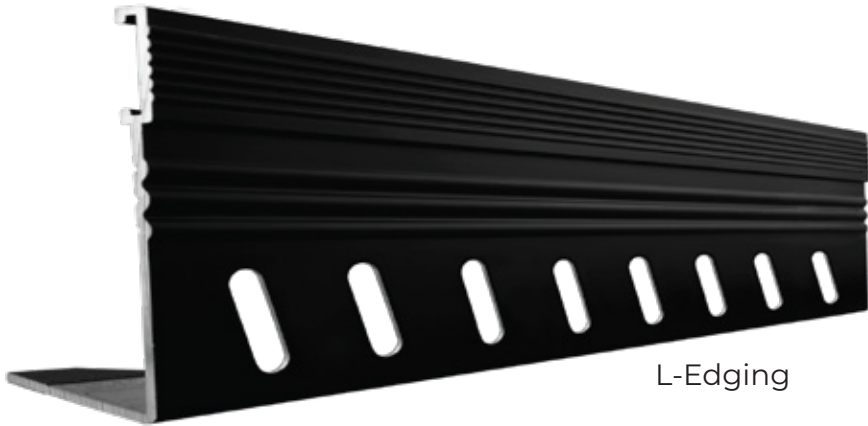
L-Edging and L-Corners fit seamlessly with Tile Tech's Pedestal and Plant Tray system, providing exciting opportunities for elevated surfaces.



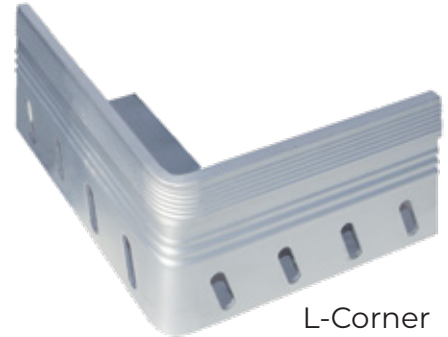
Color options of anodized black or silver finishes adds a touch of sophistication, complementing any landscape design.

By combining durability, precision, and aesthetic appeal, our edging system allows you to create defined, cohesive outdoor spaces that add both value and environmental benefits.

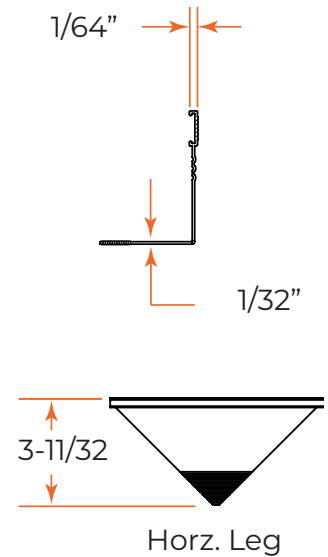
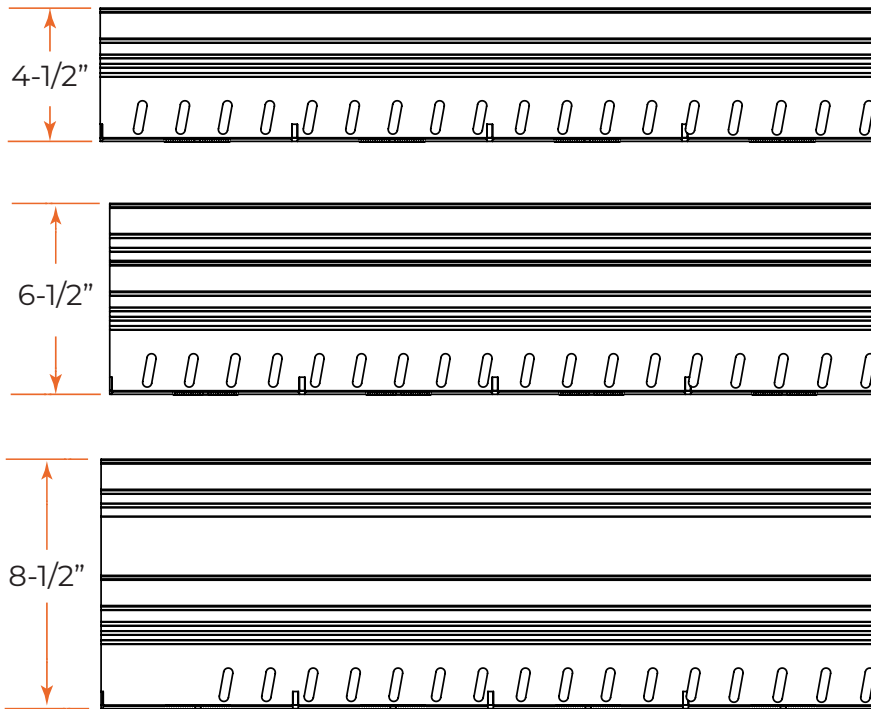
# Specifications



L-Edging



L-Corner



### L-Edging Specifications

Length:	83" (2108mm)
Height(s):	4-1/2", 6-1/2", 8-1/2"
Horz. Leg:	3-1/8" (79.375mm)

### L-Corner Specifications

Length:	6" (152mm)
Height(s):	4-1/2", 6-1/2", 8-1/2"
Horz. Leg:	3-1/8" (79.375mm)

### Properties: 6061 Aluminum

Properties: 6061 Aluminum	Results
Elongation (ε) at break:	12-25%
Linear thermal expansion coefficient (α):	2.32×10 <sup>-5</sup> K <sup>-1</sup>
Melting temperature (T <sub>m</sub> ):	585 °C (1,085 °F)
Poisson's ratio (ν):	0.33
Specific heat capacity (c):	897 J/(kg·K)
Thermal conductivity (k):	151-202 W/(m·K)
UNS identifier:	A96061

