

# Pennsylvania Bluestone



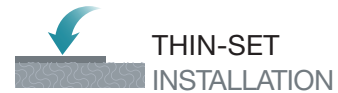
## Porcelain Pavers

With silvery-blue hues and combinations of rust, tan, brown, and green, the popular Pennsylvania Bluestone porcelain pavers offer the beauty and aesthetics of split stone. With durability and ease of maintenance. It's a practical choice for your unique project.

Tile Tech® hardscape systems provide architects and design professionals with a complete solution to transform any roof deck, walkway, driveway, courtyard, or patio into beautiful, useful spaces. Embracing USGBC LEED standards, our paving products boast a composition that includes 35% pre-consumer recycled materials. With no traces of Volatile Organic Compounds (VOC) and a Solar Reflectance Index (SRI) of  $\geq 32$ , porcelain pavers emerge as an eco-friendly choice that goes beyond conventional paving solutions.



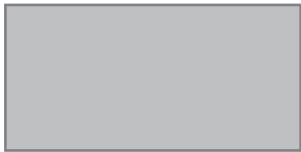


VISIT OUR 3D MODELS FOR INSTALLATION TIPS!

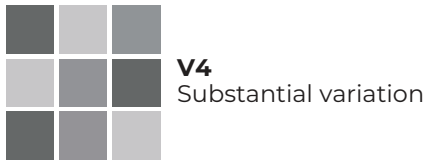


# Specifications

### Available Sizes (Rectified)

-  11-1/2" x 23-1/2"  
293 x 597 mm
-  23-1/2" x 23-1/2"  
597 x 597 mm
-  23-1/2" x 47-1/2"  
597 x 1207 mm

### Color and Shade Variation

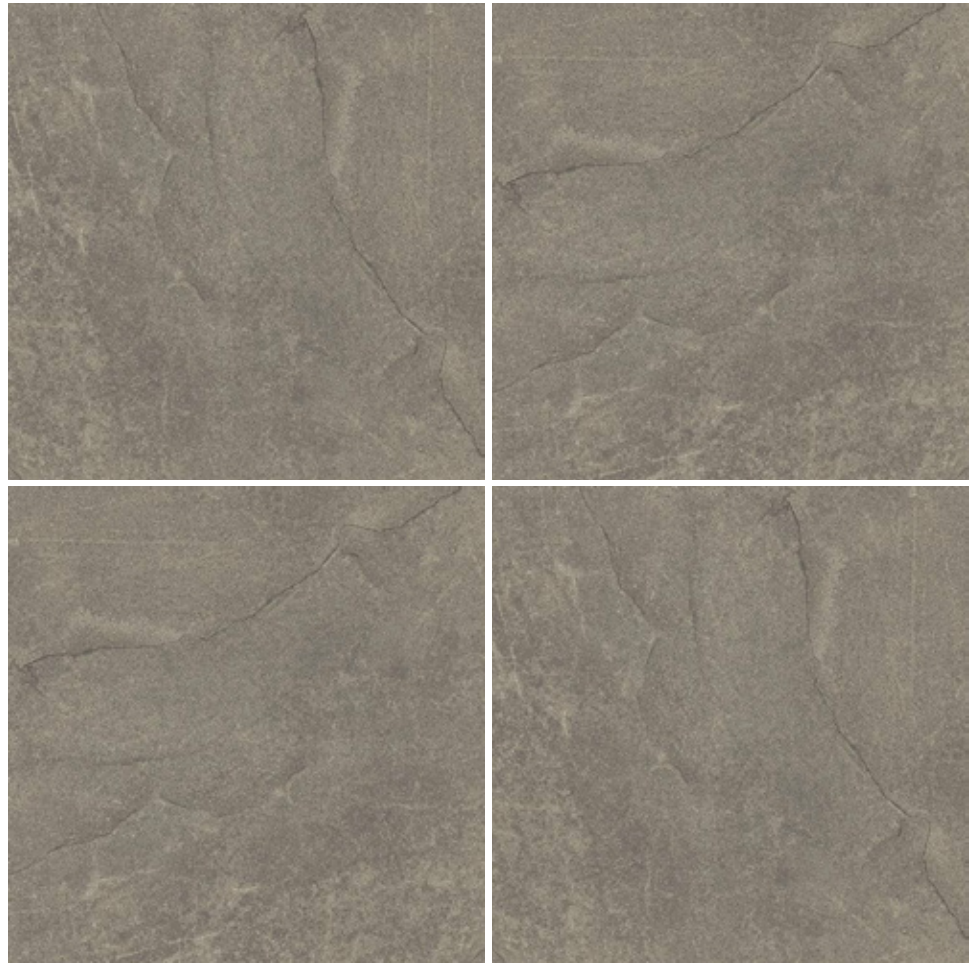


### USGBC LEED® Opportunities

- Recycled Content:  
MR Credit 4.1 and 4.2 (2 LEED pts.)
- Low Emmitting Materials  
EQ Credit 4.2 (1 LEED pt.)
- Innovation in Design  
ID Credit 1.1 - 1.4 (1-4 LEED pts.)
- Heat Island Effect (Non-roof)  
SS Credit 7.1 (1 LEED pt.)
- Regional Materials (500 mi)  
EQ Credit 4.2 (1 LEED pt.)

### Shipping Details

- Packaging (12" x 24")  
160 pcs. | 320 Sq.Ft. | 2,900 lbs./pallet
- Packaging (24" x 24")  
72 pcs. | 279 Sq.Ft. | 2,700 lbs./pallet
- Packaging (24" x 48")  
32 pcs. | 256 Sq.Ft. | 2,350 lbs./pallet



Thickness:	3/4" 19 mm	
Weight:	9 lbs/Sq.Ft.	
Water Absorption:	Max. 0.05%	ISO10543-3
Static Load (Center)	≥1,840 lbf.	ASTM N/A, EN 12825
Bending Strength	3,300 lbs.	ASTM C-648, ISO 10545-4
Distribution Load	2,500 lbs.	ASTM N/A, EN 12825
Slip Resistant	R11	DIN51130
COF (Wet, Dry)	>0.60	ASTM C-1028-7, ISO N/A
Abrasion Resistant	Yes (Class 5)	ASTM C-1027, ISO 10545-6
Stain Resistant	Yes (Class 5)	ASTM C-1378, ISO 10545-14
Frost Resistant	Yes	ASTM C-1026, ISO 10545-12
Chemical Resistance	Yes	ASTM C-650, ISO 10545-13
Solar Reflectance (SRI)	50	
Rectified	Yes	

Full test reports and specification details available on our website.

