

RT acoustic



INSTALLATION MANUAL

Wall acoustic panel

INSTALLATION

Unique considerations and solutions are required for each application of Acoustic panels. The installation of acoustic panels is a straightforward process that can be accomplished using brad fasteners or a polymer sealant, contingent upon the project's requirements and the wall lining.

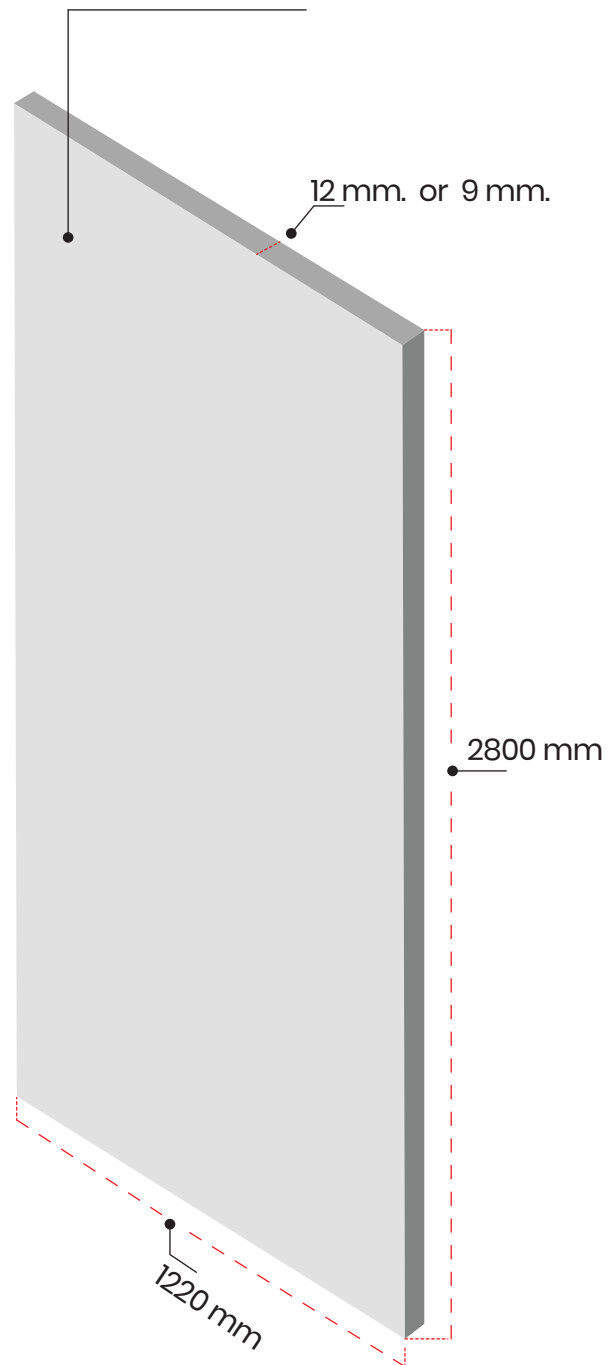
HANDLING

It is important to handle acoustic panels cautiously both while loading and unloading. Due to its size and flexibility, lifting a single sheet often takes two persons. This is required to prevent the material from deforming.

COLOURS

Since the RT Acoustic panels are composed of recycled fibers, there may be some color variations. It is advised to use the same batch per installation. Please allow for unanticipated modifications or additions to a design plan when making an order.

The overall dimensions of the acoustic panels are 2800 x 1220 x 12 mm. or 2800 x 1220 x 9mm. A single panel has a density of 2.4 kg/m² and weighs around 8.2 kg.



BEFORE INSTALLATION

- ⓘ To prevent changes in appearance, remember to apply the panels in the same orientation and with the same side while installing them.

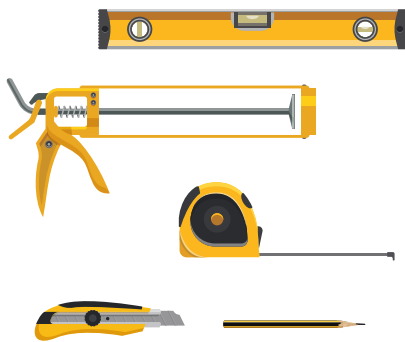
- ⓘ We want to stress that before the order is processed or installed, it is crucial to thoroughly inspect everything.

- ⓘ The panels must always be trimmed in order to guarantee that all of their sides have correct angles. Net dimensions as a result of this adaptation will be (maximum) 2800 mm. x 1220 mm.

SEALANT

It is recommended that a polymer adhesive be used for Acoustic panels installation. The majority of hardware stores carry this SMP sealant. Because polymer glue takes time to dry, you may use it on larger surfaces and still make necessary placement corrections.

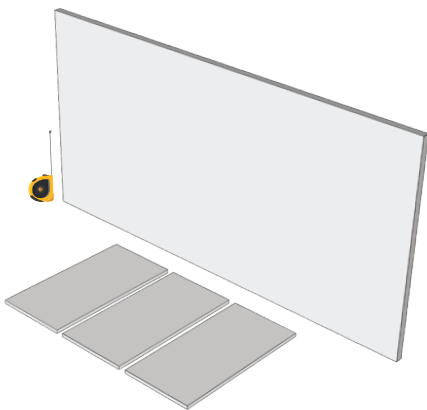
Suggested tools



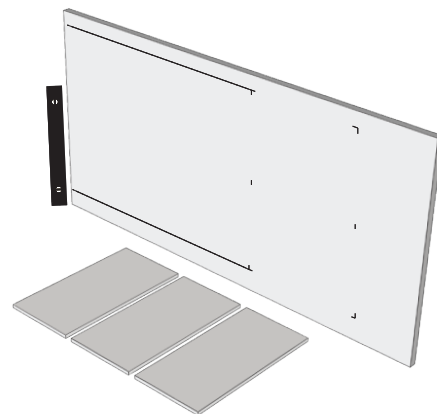
- ① **Prepare the surface**
Make sure the surface is tidy and level.



- ② **Arrange *Optional**
Ascertain the color sequence pattern to avoid a wrong installation.

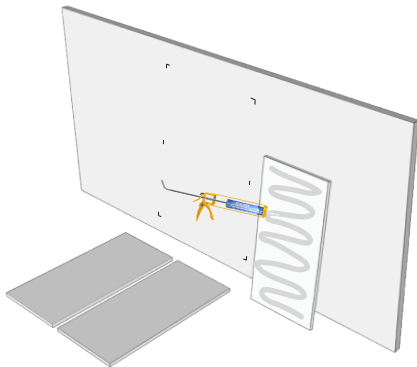


- ③ **Mark out**
Several reference markers showing the final panel alignment should be placed on the wall.



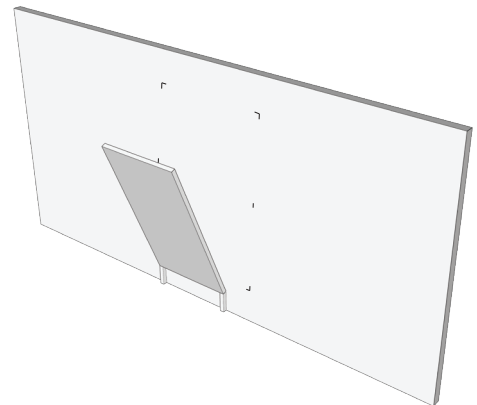
④ Apply glue

Please read the glue manufacturer's guidelines carefully before starting to apply the adhesive onto the panel. Evenly distribute the adhesive.



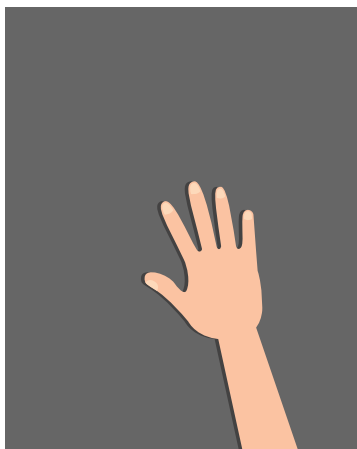
⑤ Place panel

Apply the panel starting from the bottom. To ensure a level positioning, spacers might be helpful.



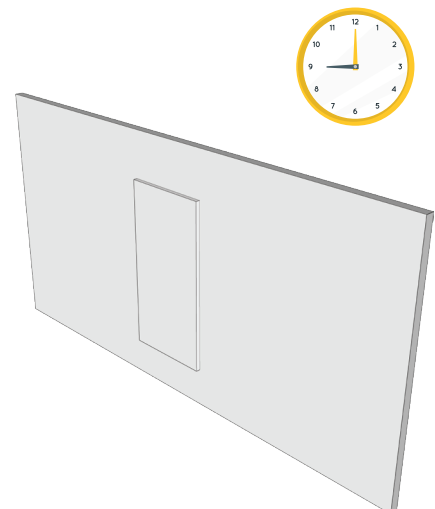
⑥ Press

Firmly press the panel on the surface, check to see that the edges and corners are adhered correctly.



⑦ Cure Time

Please refer to the glue manufacturer's recommendations since the curing time may vary.



BRAD NAILS

A brad nailer or a similar pneumatic or cordless nailer equipment can be used to apply brad nails. The quickest method for installing the Acoustic panels is with a brad nailer. Because the nails are hidden within the fibers, they won't be visible. Still visible, if you examine closely, are tiny holes.

Suggested tools

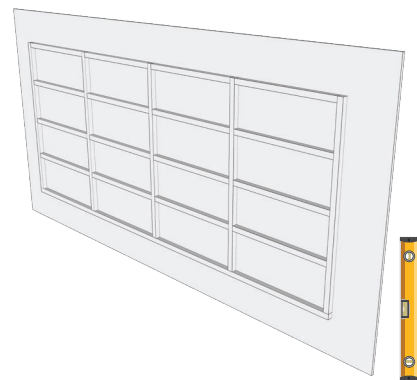
This installation method is applicable to any surface that is suitable for brad fasteners.



It is unnecessary to employ an additional adhesive in conjunction with the brad fasteners. Additionally, this approach facilitates the disassembly of the panels.

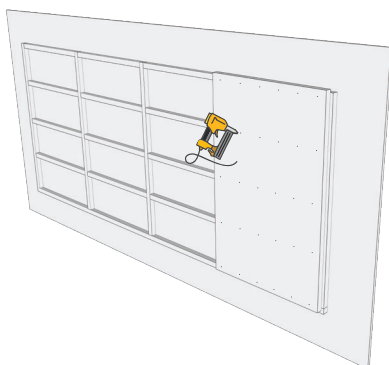
① Framework

Prepare a wooden framework and ensure that it is level.



② Apply panel

The staples or nails may penetrate the material if the pressure of a pneumatic nailer instrument is set too high.



Angle

The headless nail can be affixed at an angle of approximately 45° to enhance its hold.





CONTACT US

RT acoustic brings a new profound level of peace and wellness to users, and ultimately, enhances their quality of life.

TCM CORPORATION PUBLIC COMPANY LIMITED

📍 2054 New Petchburi Rd.,
Bangkapi, Huaykwang,
Bangkok 10310, Thailand

✉ contact@rtacoustic.com

🌐 www.rtacoustic.com



Warranty



Maintenance