



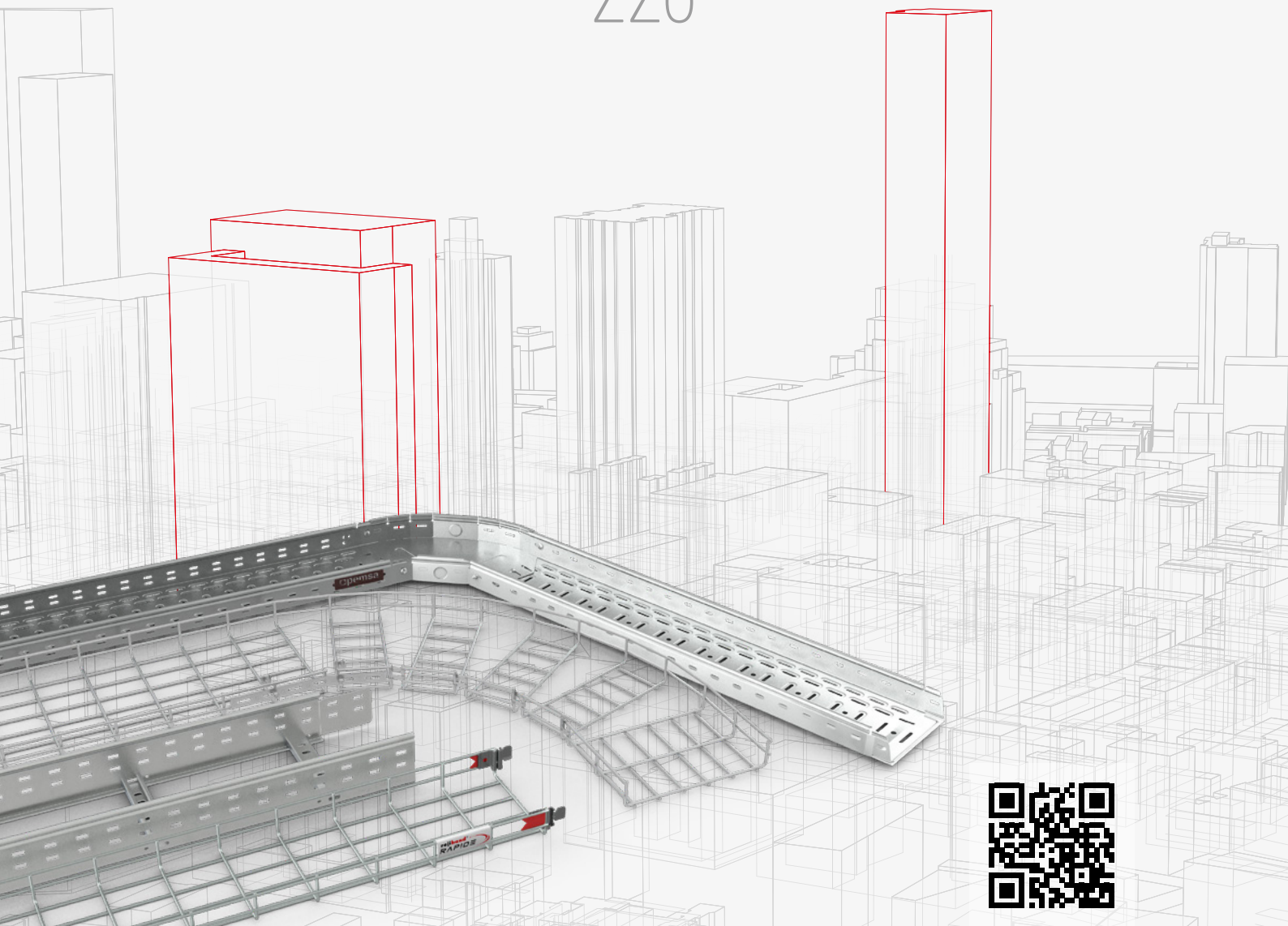
50 years of manufacturing for the UK



# CABLE MANAGEMENT SYSTEM, SUPPORTS AND ACCESSORIES

## QUICK GUIDE

226





## Protective Corrosion Systems




















Pemsa offers a complete range of protective corrosion systems which includes some different coatings in order to cover all the requirements and environments.


	Protection System
(S)	It is a group of finishes with the same properties or characteristics, features, aesthetics, etc. that are sold as a whole.
	Finish
(F)	Corrosion protection coating.

(S)	(F)	(i)	Clase  IEC 61537	Cat. Corrosividad ISO 9223	(S)
<b>CU</b>	<b>CU1</b>	Copper electroplated	1	C1	
<b>PG</b>	<b>PG3</b>	Pregalvanised	3	C3	
<b>EZ</b>	<b>PAV</b>	Blueing	1	C1	
	<b>EZ2</b>	Electrogalvanised	2	C2	
	<b>EZ3</b>		3	C2	
<b>BK8</b>	<b>BLACK C8</b>	High Resistance metallic Coating	8	C4	
	<b>BK8-ZNI</b>	Zinc nickel in black	8	C4	
<b>GC</b>	<b>HDG</b>	Hot Dip Galvanising	4,5 / 5,5	C4	
	<b>ZL</b>	Lamellar zinc	7 / 8	C5	
<b>AZ+</b>	<b>ZM</b>	High Resistance Alloy	8	C5	
<b>INOX</b>	<b>I303</b>	Stainless Steel	-	C5	
	<b>I304</b>		9C	C5	
	<b>I316L</b>		9D	CX	
	<b>I304D</b>	Duplex Stainless Steel	9C	C5	
	<b>I316D</b>		9D	CX	
<b>PT</b>	<b>PO-PG</b>	Polyester Paint on Pregalvanised	3/6	C3/C5	
	<b>PO-EZ</b>	Polyester Paint on Electrogalvanised	6	C5	
<b>AL</b>	<b>ALU</b>	Aluminium	NA	C5	
	<b>6063T6</b>	Aluminium alloy 6063-T6	NA	CX	
	<b>1050H24</b>	Aluminium alloy 1050H24	NA	CX	
<b>LN</b>	<b>LAT</b>	Brass	NA	NA	
	<b>LNI</b>	Nickel-plated brass	NA	C4	

[www.pemsa.co.uk](http://www.pemsa.co.uk)

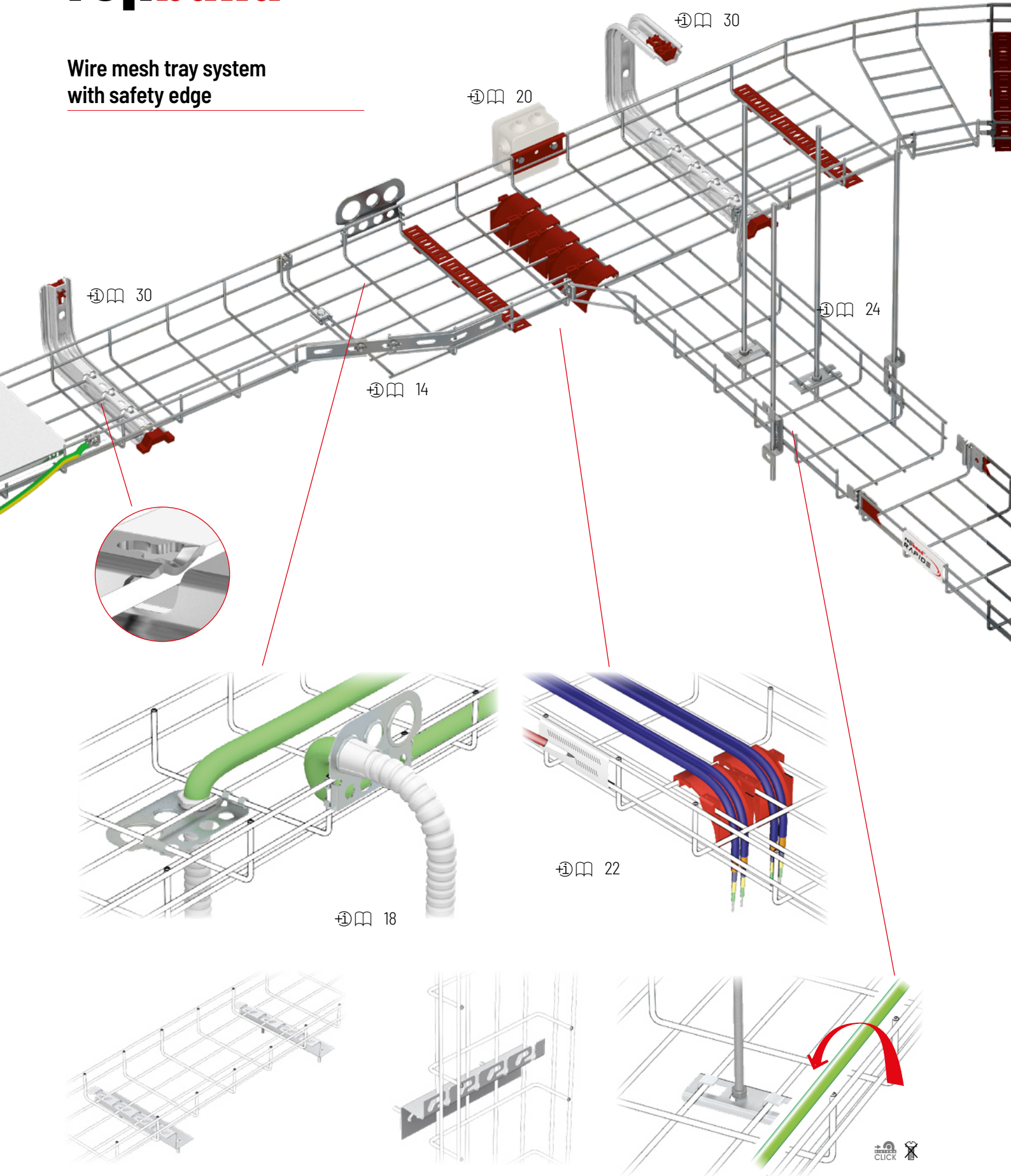
Consult our website for complete information on our products, approvals and certificates. In addition, in our Online Catalogue, you can also download the certificates by product.

Approvals		
	Cable trays International Standard IEC 61537	 Halogen free acc. to EN 50267-2-1
	Conduit International Standard IEC 61386	 Compliance with Directive RoHS 2002/95/CE
	AENOR N Mark + info pag. 008	 E90 Fire Resistance Test acc. to DIN 4102-12 Standard
	Acc. to NEMA VE-1 Standard	 Approval acc. to Norme Française
	Acc. to Directive 2006/95 CE	 Deutsche Bahn Approval
	Retie approval	 Marine applications DNV Approval
	UL Listed Approval	 UL Certified Approval
	CSA Canadian Approval	 VDE German Approval
	Germanischer Lloyd Approval	 Russian GOST Approval
	ATEX Hazardous Areas Approval	

Product Solutions		
	Food Industry	 Energy Power Stations
	Petrochemical Industry	 IT / Data Centers
	Renewable Energies	 Tunnels Infrastructures
	Building Tertiary	 E90 Fire Resistance Solution
	Railway Applications	 Primary Industry
	Pharmaceutical Industry	 Water Treatment
		 Oil & Gas
		 Offshore, Ports
		 Marine Industry
		 Mining and Cement Industry
		 Healthcare & Hygienic Facilities

# rejiband®

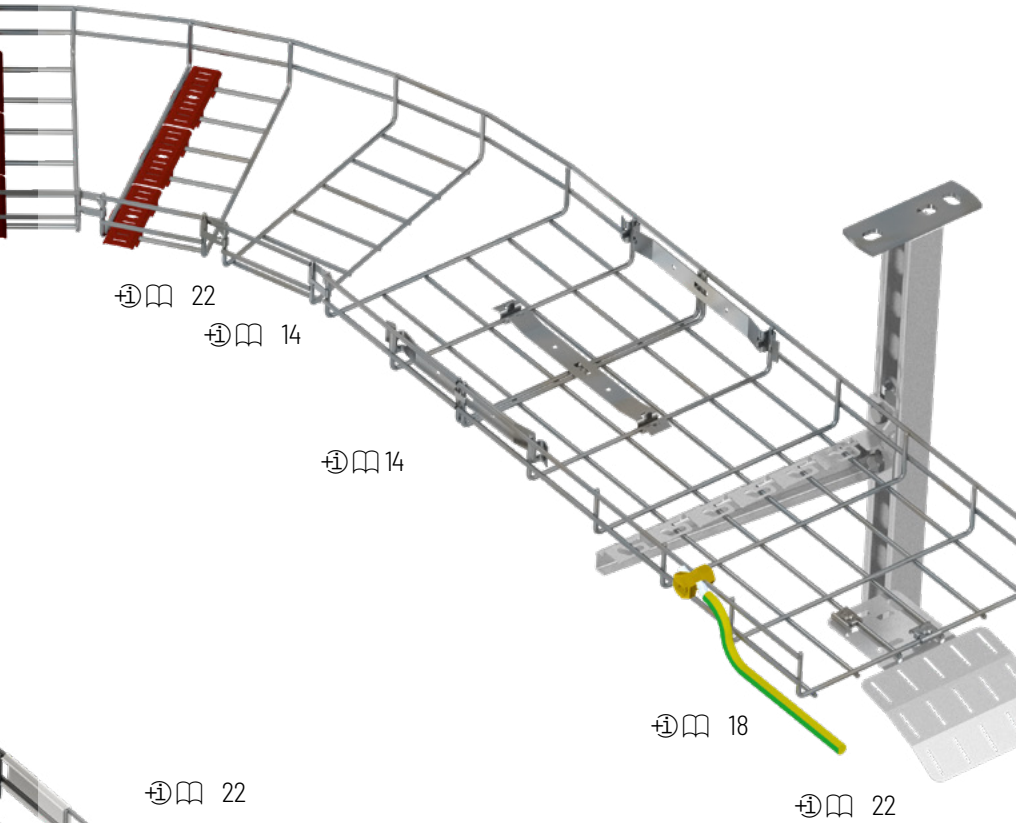
## Wire mesh tray system with safety edge



50 years of manufacturing for the UK



rejiband®



International Standards:



International standard of Cable trays



Nema VE-1 Standard



UL Certified



DIN 4102-12 Fire Resistance



AENOR N Mark IEC 61537



WEEE 2012/19/UE



Retie approval



IQNET ISO 9001



Patented product

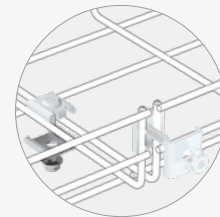


London Underground

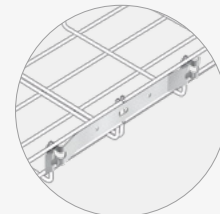
	⊕	⊖	L	EZ	GC	304	316L	PT	BK8
<b>rejiband RAPIDE</b>	60	60-600	3000	●					●
	100	100-600	3000	●					●
<b>rejiband®</b>	35	60-400	3000	●	●	●	●		
	60	60-600	3000	●	●	●	●	●	
	100	100-600	3000	●	●	●	●		
	150	100-600	3000	●	●	●	●		
<b>rejiband BLACK C8</b>	35	60-400	3000						●
	60	60-600	3000						●
<b>rejitech®</b>	60	100	2000	●					
	100	60-200	3000	●	●				●



Safety edge



Fastener



Click System

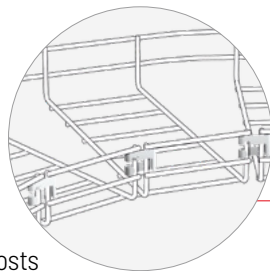


## Electrowelded wire mesh tray with Safety Edge

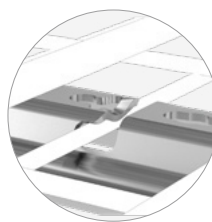
### Advantages and features

Wide range of finishes and coatings

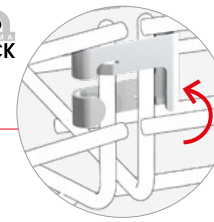
GC 304 316L BK8



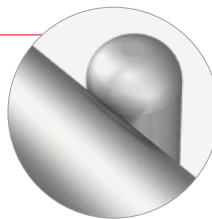
Cut, Bend and Join System.  
Savings on materials and handling costs



CLICK



Quick Click Joint System.  
Supports and accessories



Safety edge.  
Protects the cables.



Processing Industry



Food Industry



Building Tertiary



Petrochemical Industry



Offshore, Ports



Marine Industry



IT/Data Centers



Water Treatment



Tunnels Infrastructures



Renewable Energies



## News

# Solar TOTEM®



Solution for solar roof and self-consumption installations

## rejiband® pemsaband®

Multifunctional raised mounting system for Wire mesh tray and Cable tray installation.

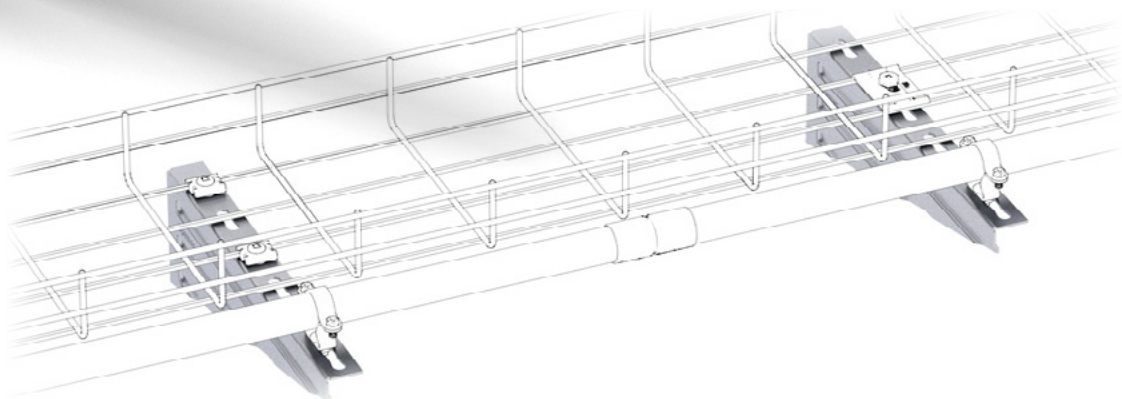


## News

### M-PLUS

Multi-purpose installation cantilever for Electrical, HVAC, fire and installations.

### Multipurpose Installation Bracket



# rejiband® RAPIDE

## Rapid Click Wire Mesh Tray System

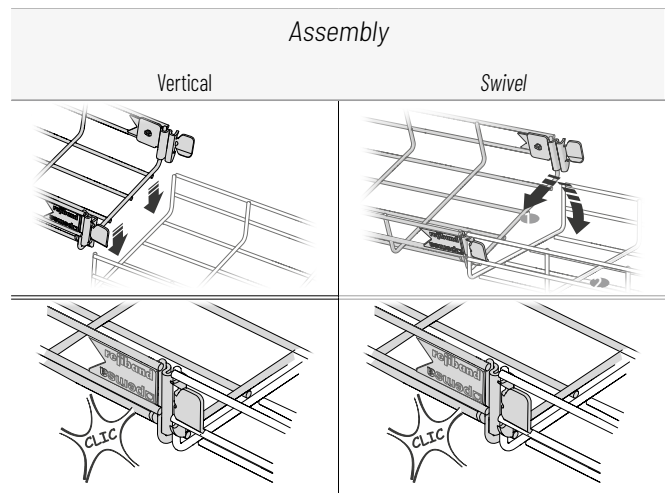
⊠ 60, 100 • ⊠ 60-600 • 📦 3000



ETIM EC000853

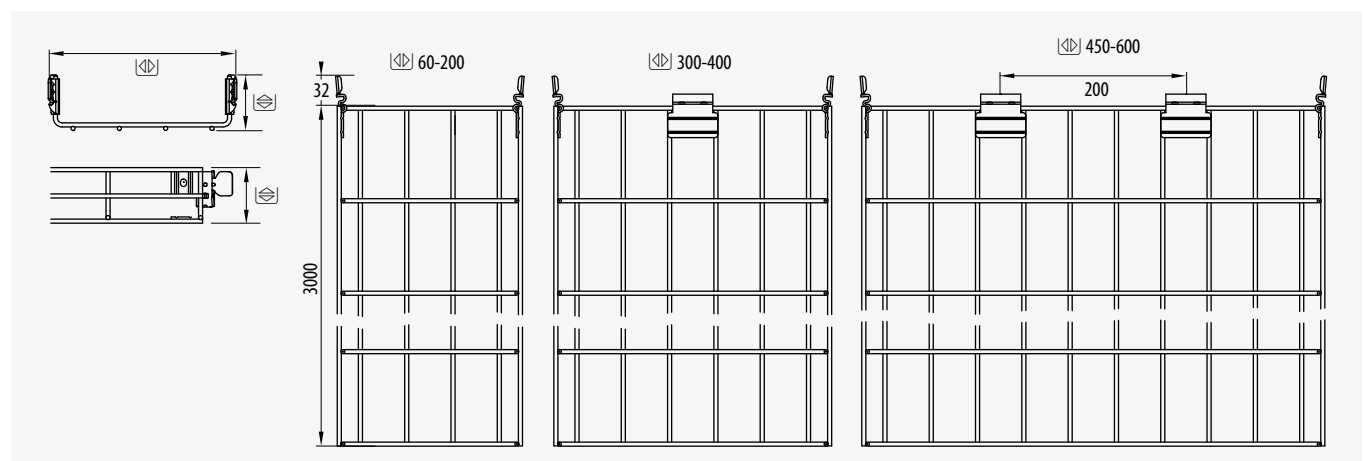
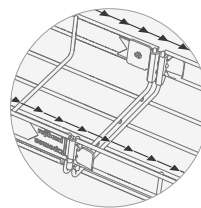
⊠	⊠	EZ	BK8	kg/m	📦
60	60	60512060	60582060	0,591	18
	100	60512100	60582100	0,811	24
	150	60512150	60582150	0,946	24
	200	60512200	60582200	1,217	18
	300	60512300	60582300	1,943	12
	400	60512400	60582400	2,353	6
	450	60512450	60582450	2,423	6
	500	60512500	60582500	2,781	6
100	600	60512600	60582600	3,191	6
	100	60513100	60583100	1,203	12
	150	60513150	60583150	1,259	6
	200	60513200	60583200	1,912	6
	300	60513300	60583300	2,343	6
	400	60513400	60583400	2,756	6
	450	60513450	60583450	2,827	6
	500	60513500	60583500	3,187	6
	600	60513600	60583600	3,600	6

### Time and Labour Cost Saving

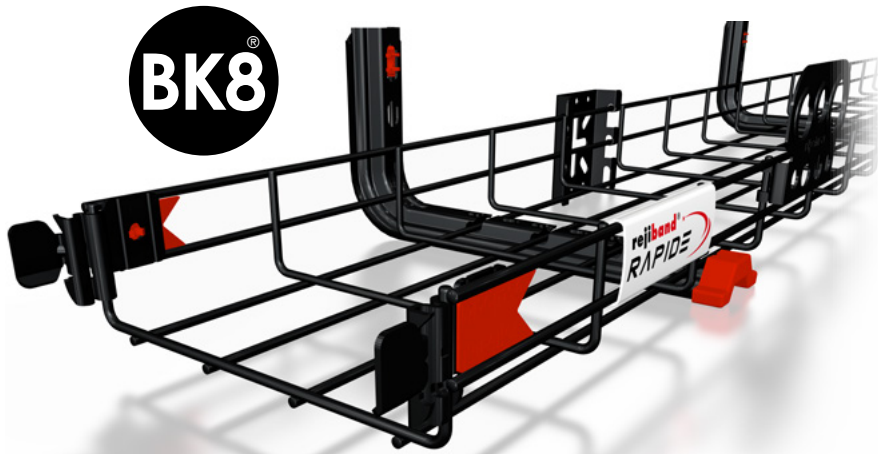


⚡ Electrical Continuity guaranteed  
 $<50m\Omega$

IEC  
61537







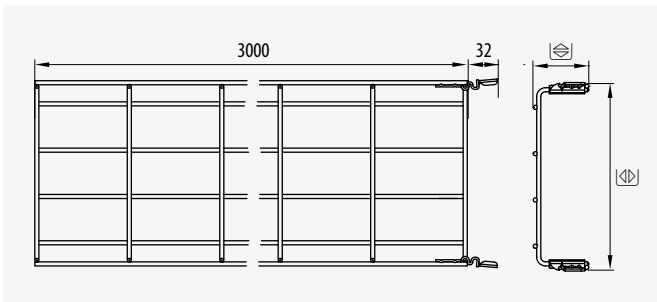
# rejiband® RAPIDE

Wire mesh tray High Resistance

⊠ 60, 100 • ⊠ 60-600 • ⊠ 3000

ETIM EC000853

⊠	⊠	BK8	kg/m	⊠
60	60	60582060	0,567	24
	100	60582100	0,799	24
	150	60582150	1,022	24
	200	60582200	1,205	18
	300	60582300	2,091	12
	400	60582400	2,565	6
	450	60582450	2,642	6
	500	60582500	3,014	6
100	600	60582600	3,468	6
	100	60583100	1,215	12
	150	60583150	1,253	6
	200	60583200	1,897	6
	300	60583300	2,314	6
	400	60583400	2,727	6
	450	60583450	2,815	6
	500	60583500	3,145	6
	600	60583600	3,562	6



## Full Range of Accessories

 62081X04 ⊠ 30	 67080030 ⊠ 20	 64080060 ⊠ 14
 63082X04 ⊠ 32	 62086010 ⊠ 20	 62086021 ⊠ 24
 64080061 ⊠ 14	 62082X04 ⊠ 30	 64080058 ⊠ 14
 64080030 ⊠ 14	 62086011 ⊠ 20	 62081060 ⊠ 24
 64080072 ⊠ 14	 67080040 ⊠ 18	 67080143 67080043 ⊠ 24
		 67080046 ⊠ 24




# rejiband®

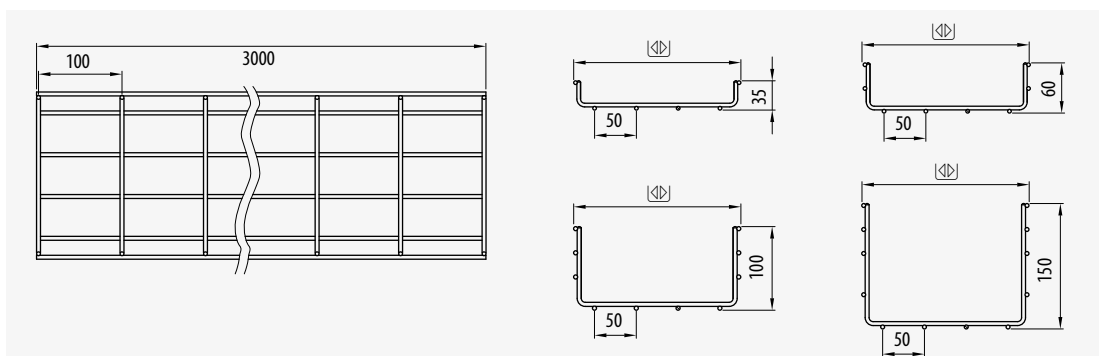
35 60 100 150

## Wire mesh tray

☞ 35-150 • ☜ 60-600 • ☞ 3000

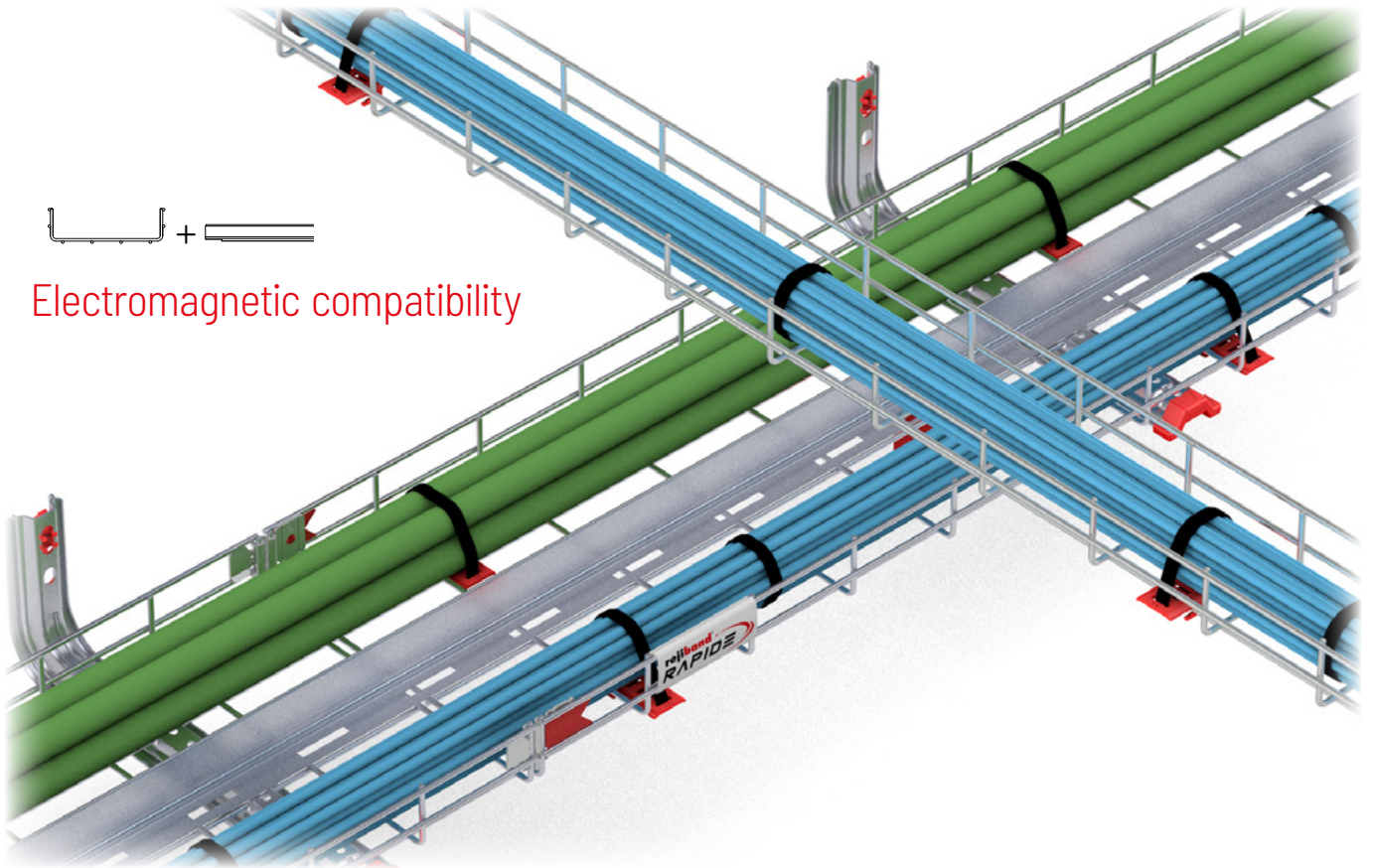


☞	☜	EZ	GC	CU	304	316L	PT-EZ	C8	kg/m	☞
35	60	60211060	60231060	-	60251060	60261060 ☞	-	60281060	0,405	24
	100	60211100	60231100	-	60251100	60261100 ☞	-	60281100	0,547	24
	150	60211150	60231150	-	60251150	60261150 ☞	-	60281150	0,723	24
	200	60211200	60231200	-	60251200	60261200 ☞	-	60281200	1,034	18
	300	60211300	60231300	-	60251300	60261300 ☞	-	60281300	1,401	18
	400	60211400	60231400	-	60251400	60261400 ☞	-	60281400	1,797	12
60	60	60212060	60232060	-	60252060	60262060	60242060	60282060 ☞	0,564	24
	100	60212100	60232100	82003241	60252100	60262100	60242100	60282100 ☞	0,799	24
	150	60212150	60232150	82003242	60252150	60262150	60242150	60282150 ☞	1,022	24
	200	60212200	60232200	82003243	60252200	60262200	60242200	60282200 ☞	1,326	18
	300	60212300	60232300	82003244	60252300	60262300	60242300	60282300 ☞	2,091	12
	400	60212400	60232400	-	60252400	60262400	60242400	60282400 ☞	2,565	6
	450	60212450	60232450	82003245 ☞	-	-	-	60282450 ☞	2,642	6
	500	60212500	60232500	-	60252500	60262500	60242500	60282500 ☞	3,014	6
600	60212600	60232600	82003247 ☞	60252600	60262600	60242600	60282600 ☞	3,468	6	
100	100	60213100 ☞	60233100	-	60253100	60263100 ☞	-	60283100 ☞	1,316	12
	150	60213150 ☞	60233150	-	60253150	60263150 ☞	-	60283150 ☞	1,383	6
	200	60213200 ☞	60233200	-	60253200	60263200 ☞	-	60283200 ☞	2,055	6
	300	60213300 ☞	60233300	-	60253300	60263300 ☞	-	60283300 ☞	2,512	6
	400	60213400 ☞	60233400	-	60253400	60263400 ☞	-	60283400 ☞	2,962	6
	450	60213450 ☞	60233450	-	-	-	-	60283450 ☞	2,815	6
	500	60213500 ☞	60233500	-	60253500	60263500 ☞	-	60283500 ☞	3,413	6
	600	60213600 ☞	60233600	-	60253600	60263600 ☞	-	60283600 ☞	3,866	6
150	200	60216200 ☞	-	-	-	-	-	60286200 ☞	2,111	6
	300	60216300 ☞	-	-	-	-	-	60286300 ☞	2,431	6
	400	60216400 ☞	-	-	-	-	-	60286400 ☞	2,958	6
	450	60216450 ☞	-	-	-	-	-	60286450 ☞	2,849	6
	500	60216500 ☞	-	-	-	-	-	60286500 ☞	3,375	6
	600	60216600 ☞	-	-	-	-	-	60286600 ☞	3,645	6
rejiband® 		64010061	64030061	68000038	64060061	64060061	64060061	64080061	☞ ☜ 14	



☞ On request

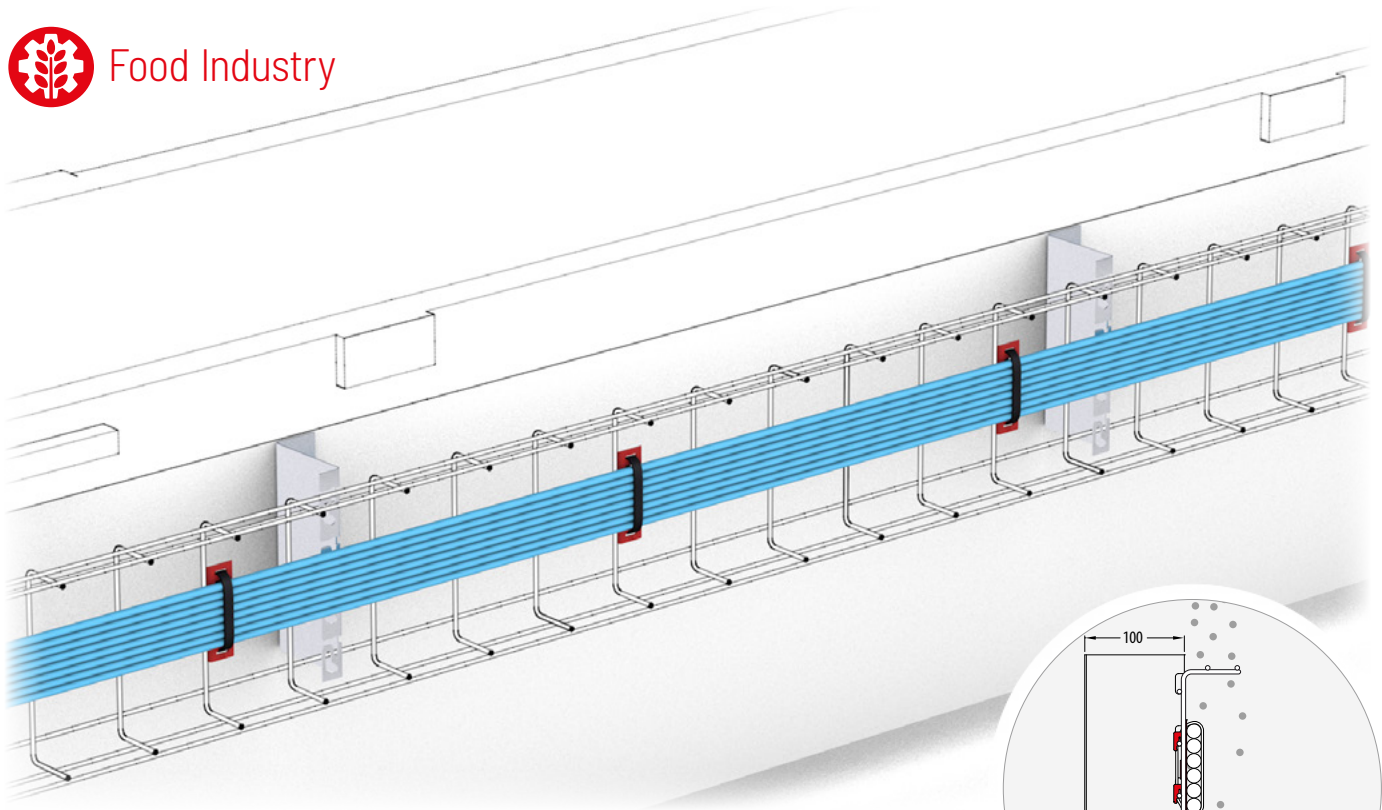




Electromagnetic compatibility



Food Industry



Minimises the accumulation of residues in the installation. Facilitates cleaning operations

# rejiband®

60X60-2

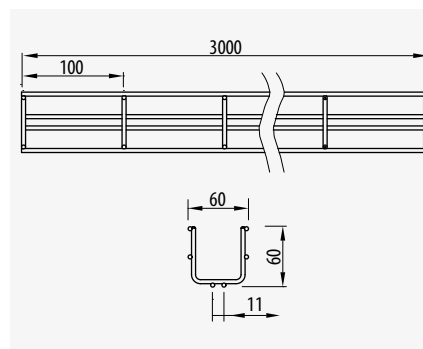
Wire mesh tray,  
double rod on base

⊠ 60 • ⊠ 60 • 📦 3000

ETIM: EC000853



⊠	Ref	kg/u	📦
EZ	60212065	0,765	18
GC	60232065	0,792	18
CU	82003261	0,014	25
304	60252065	0,765	18
316L	60262065	0,765	18
BK8	60282065	0,765	18

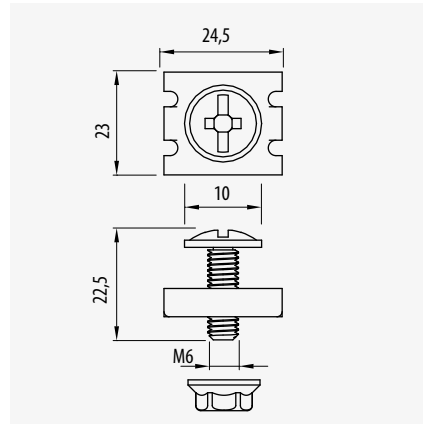


## Part Clamp Kit Rejiband 60x60-2

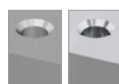
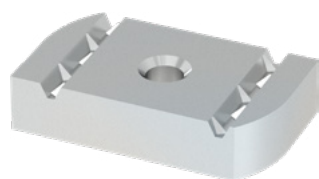


⊠	Ref	kg/u	📦
EZ	64010058	0,014	25
GC	64030058	0,015	25
CU	82003261	0,0136	25
316L	64060058	0,014	25
BK8	64080058	0,014	25

ETIM: EC002413

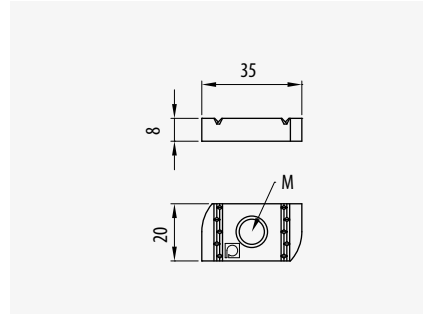


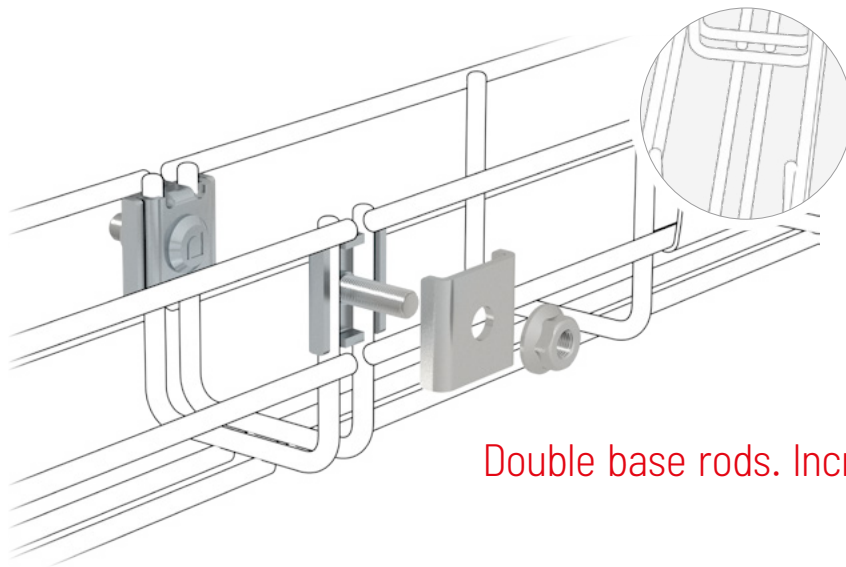
## Plain Channel Nut





⊠	M	Ref	kg/u	📦
EZ	M6	67020055	0,014	25
GC	M6	67030054	0,015	25
316L	M6	67060054	0,014	25

ETIM: EC000482

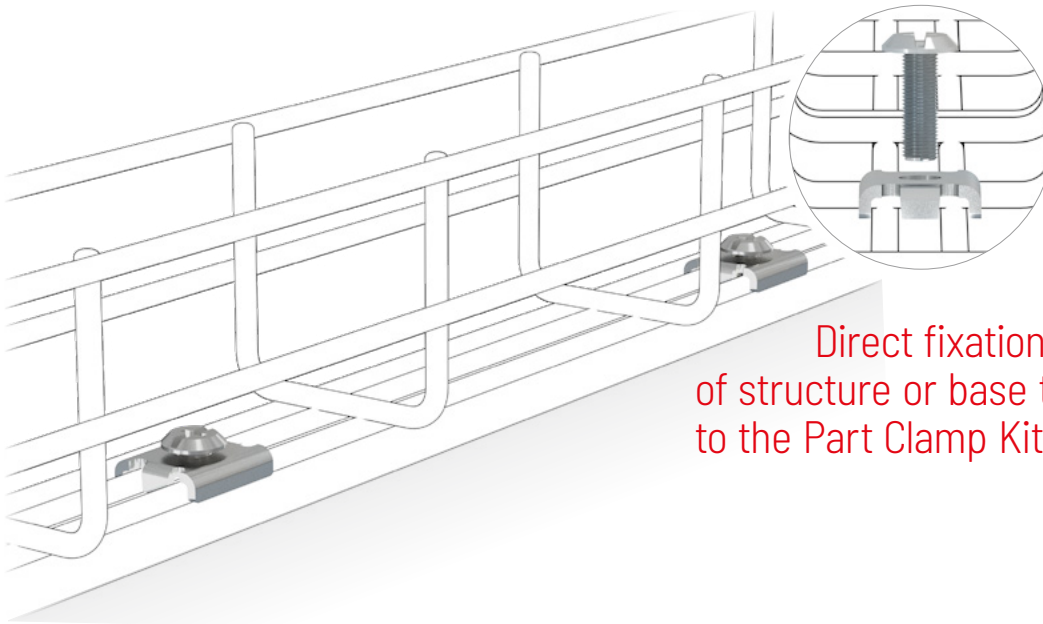



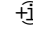


 x2  14

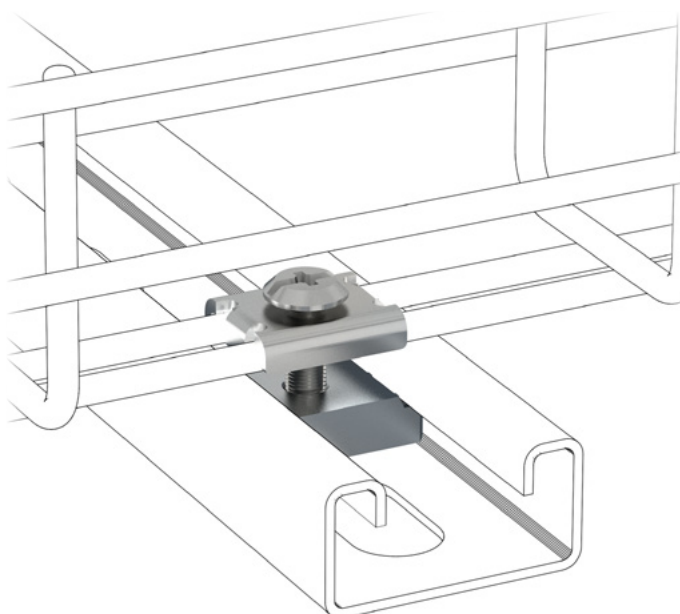
Assembly with Reinforced joint clamps


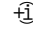
Double base rods. Increase the fixation.



 x2  10

Direct fixation on each type of structure or base thanks to the Part Clamp Kit

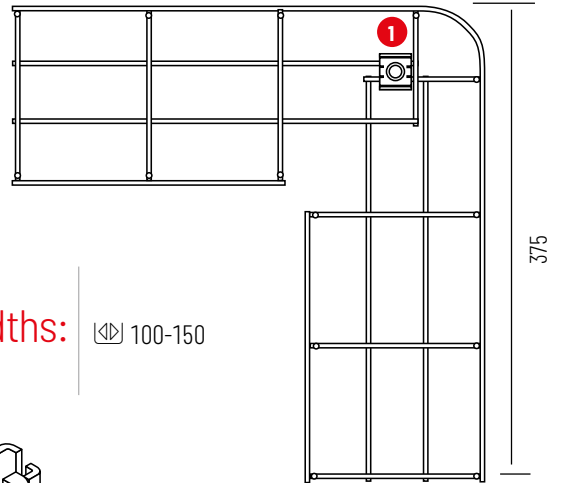
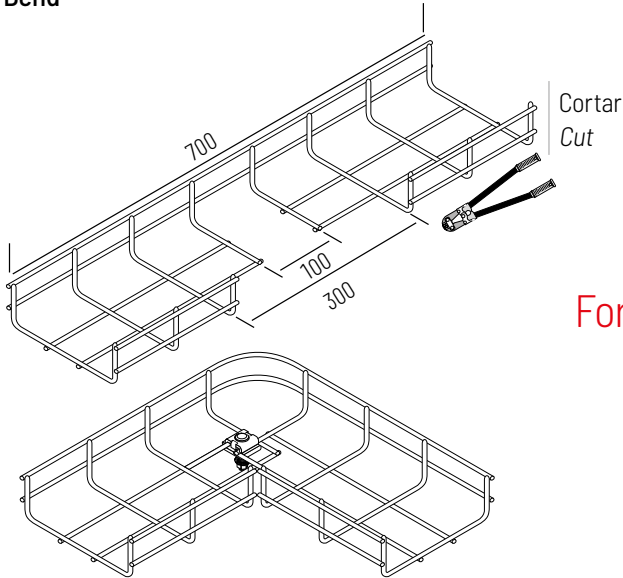


  M6 x1  10

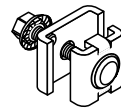
Easy fixation on strut with channel nut. The swivel screw allows connection to the channel

## Making accessories on site (cut, bend, join)

### 90° Bend

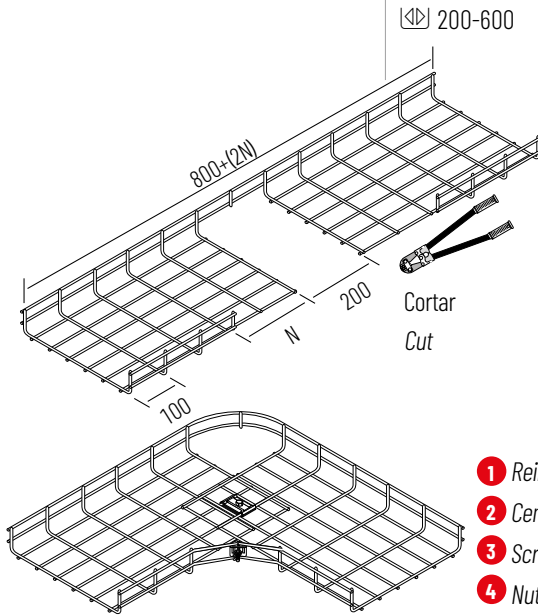


For tray widths:  $\text{⏏}$  100-150

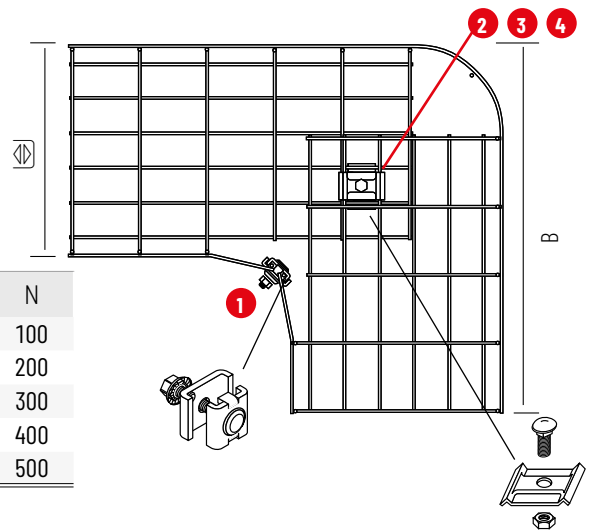


1 Reinforced Joint Clamp

For tray widths:

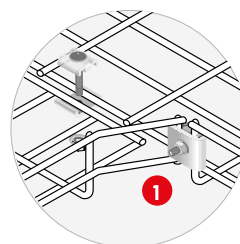
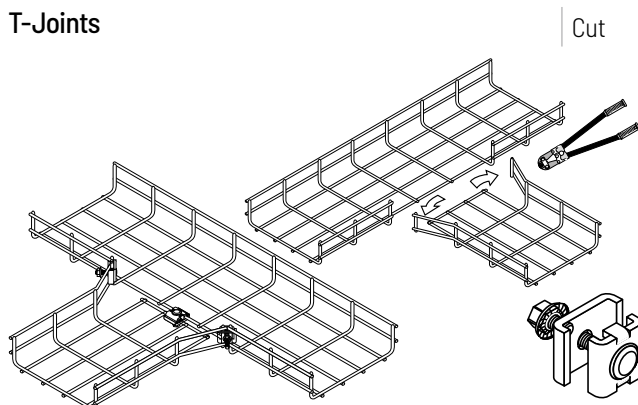


$\text{⏏}$	B	N
200	525	100
300	625	200
400	725	300
500	825	400
600	925	500

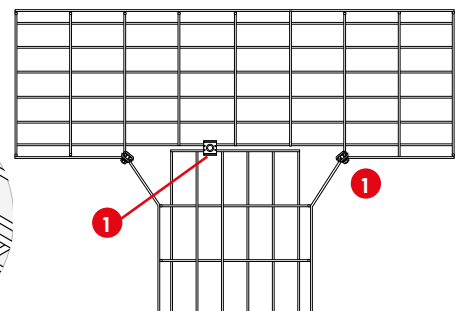


- 1 Reinforced Joint Clamp
- 2 Central hanging plate x2
- 3 Screw C/DIN 603 M6x20
- 4 Nut M6

### T-Joints



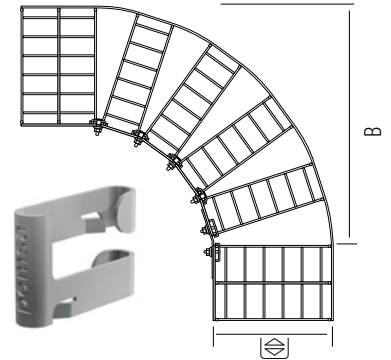
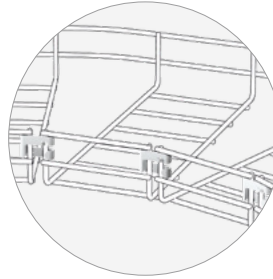
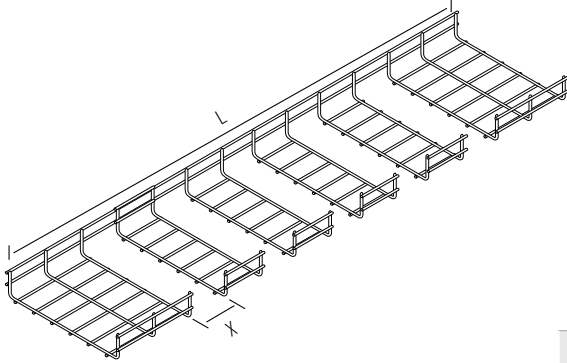
1 Reinforced Joint Clamp  
Units in mm



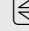


## Making accessories on site (cut, bend, join)

### 90° Bend

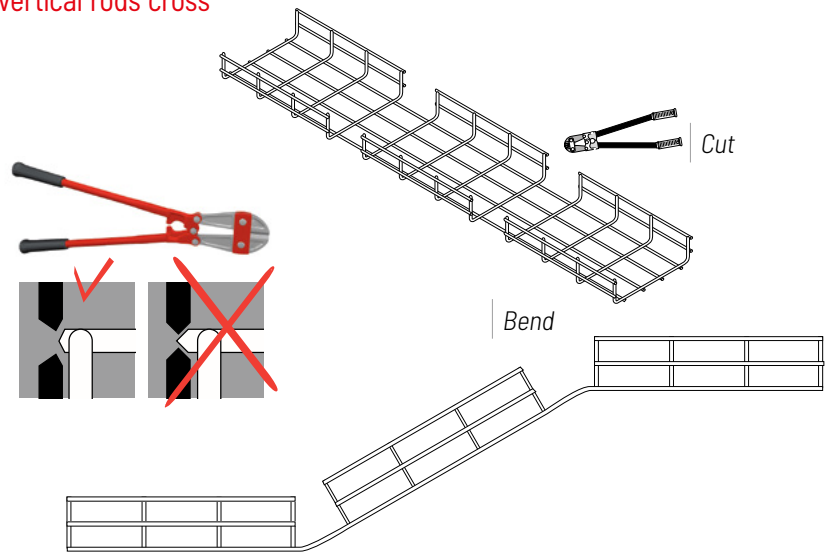


For tray widths:  300-600

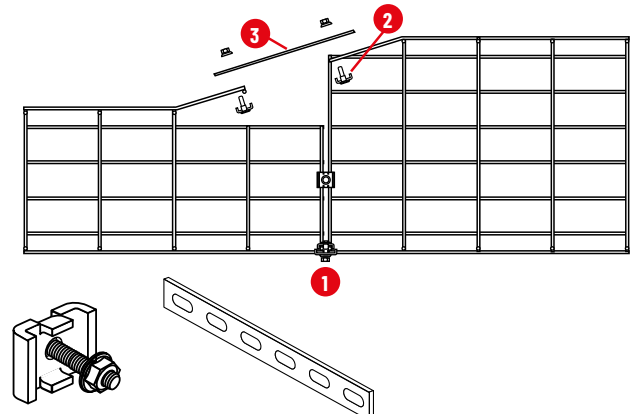
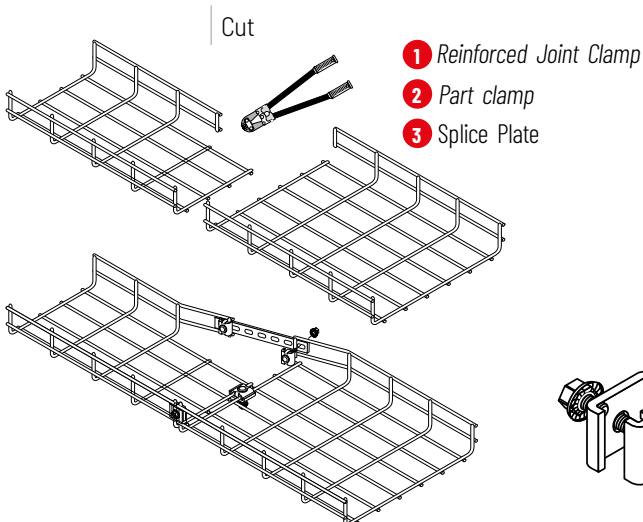
	B	L	X
300	570	1.300	5
400	840	1.700	7
500	920	2.100	9
600	1.300	2.300	10

For Safety: Always use Asymmetrical-Cut Wire Cutters. Cut as close as you can to where the horizontal and vertical rods cross each other, at the position shown

### Level change

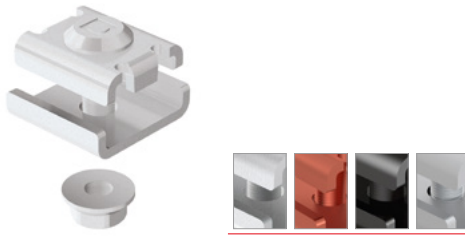


### Reducers



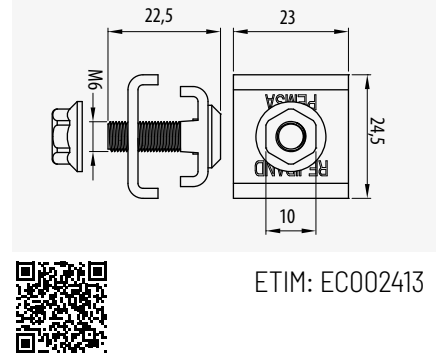
Units in mm

### Reinforced Joint Clamp



35-60-100-150 • 60-600

Ref	kg/u	50
<b>EZ</b> 64010061	0,029	50
<b>GC</b> 64030061	0,030	50
<b>CU</b> 68000038	0,029	50
<b>BK8</b> 64080061	0,029	50
<b>316L</b> 64060061	0,029	50

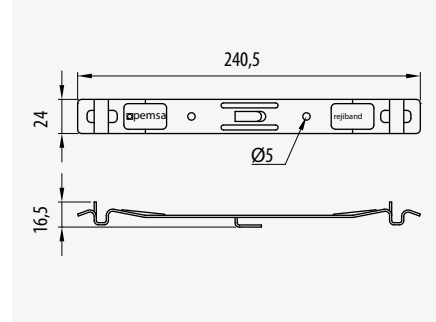


### Click Connector

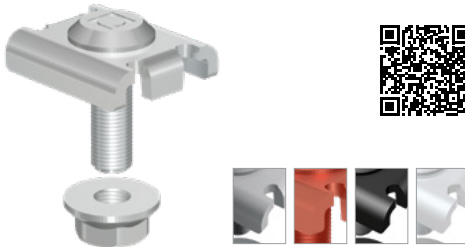


35-60-100 • 60-600

Ref	kg/u	25
<b>EZ</b> 64010020	0,075	25
<b>GC</b> 64030030	0,077	25
<b>CU</b> 82003258	0,072	25
<b>BK8</b> 64080030	0,075	25

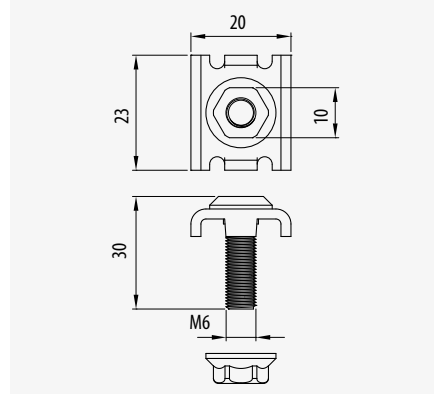


### Part Clamp



35-60-100-150 • 60-600

L	Ref	kg/u	50
<b>EZ</b> 20	64010060	0,019	50
<b>GC</b> 20	64030060	0,019	50
	64030160	0,020	50
<b>CU</b> 20	82003255	0,0186	50
<b>BK8</b> 20	64080060	0,019	50
<b>316L</b> 20	64060060	0,019	50

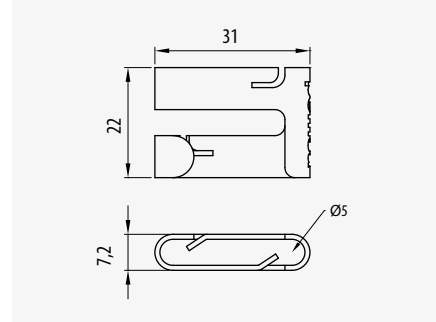


### Fast Clip

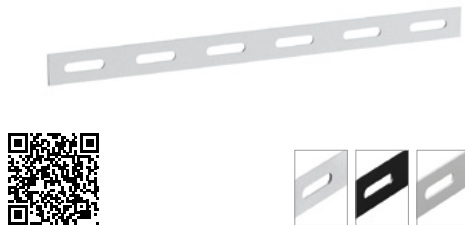


35-60-100-150 • 60-600

Ref	kg/u	50
<b>EZ</b> 64010072	0,006	50
<b>GC</b> 64030072	0,007	50
<b>BK8</b> 64080072	0,006	50

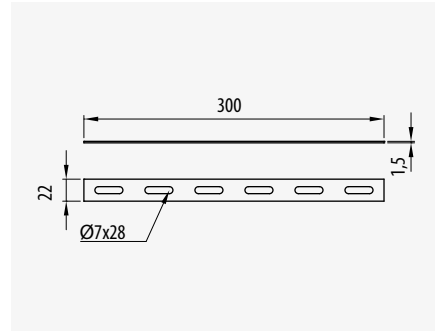


### Splice Plate

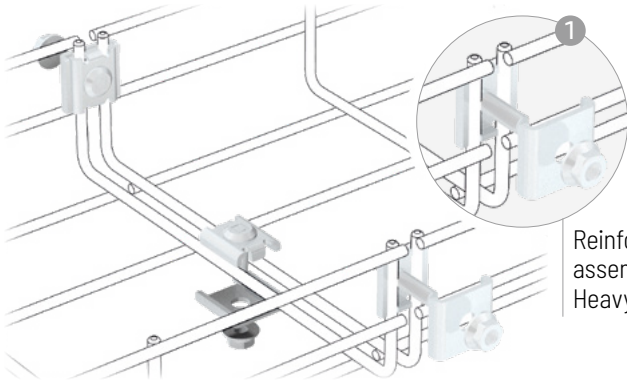


35-60-100-150 • 60-600

Ref	kg/u	10
<b>EZ</b> 67010053	0,067	10
<b>GC</b> 67030047	0,071	10
<b>BK8</b> 67080053	0,067	10
<b>316L</b> 67060053	0,066	10









### High Resistance

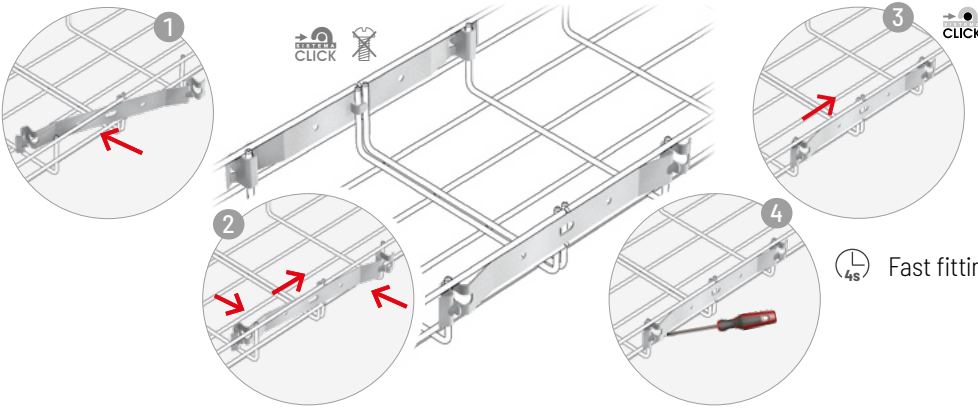
Reinforced assembly.  
Heavy duty loads.



	
60-150	2
200-400	2+1
500-600	2+2



**E90** | Product for E90 Fire Resistance assemblies.

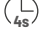
 **<50mΩ** | Electrical Continuity guaranteed

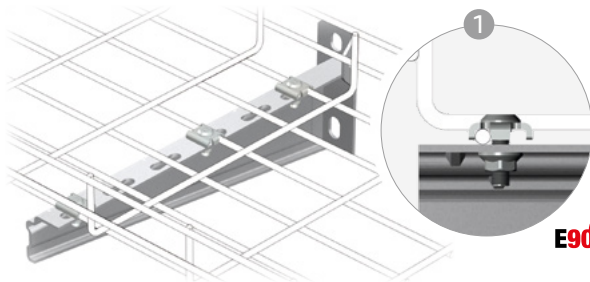


	
60-200	2
300-600	2+1*

\*Base



 **50mΩ** | Electrical Continuity guaranteed

 **4s** | Fast fitting!



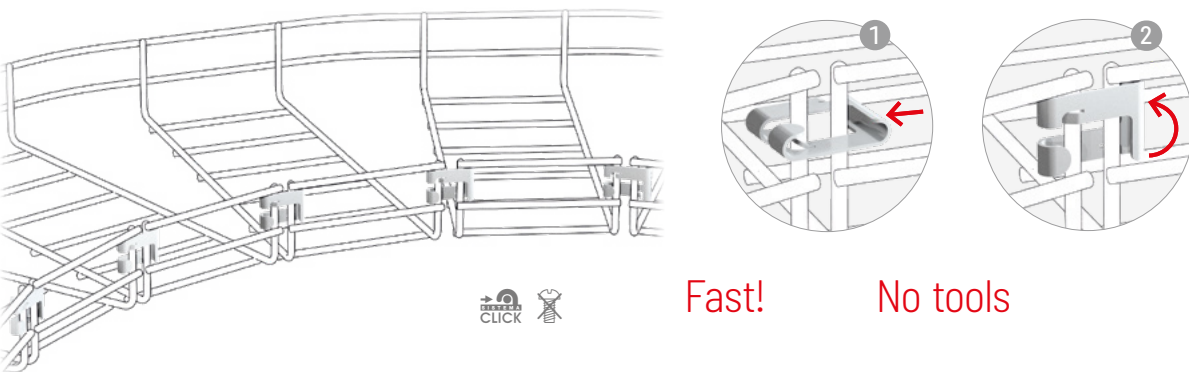
Precise fitting  
Maximum resistance

**E90** | Product for E90 Fire Resistance assemblies

	
100-150	1
200-400	2
500-600	3

**E90**

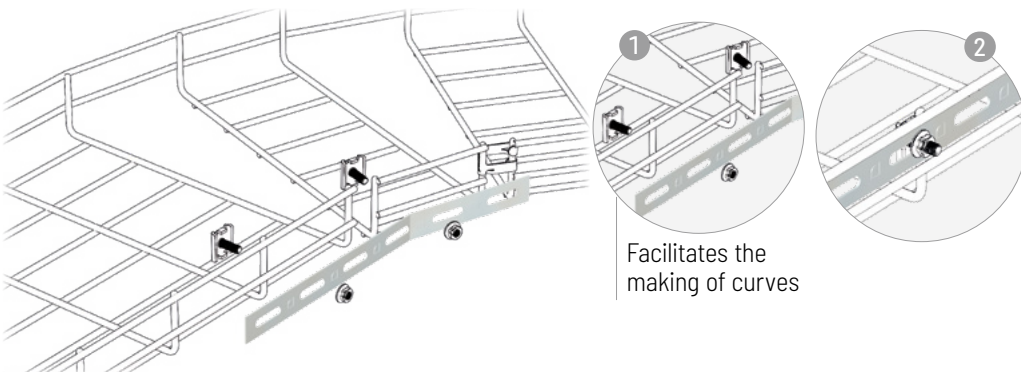
 **14**






 **click**

**Fast!**

**No tools**



Facilitates the making of curves

		
100-200	4	2
300	6	2+1
400-600	8	2+2

**Versatile**

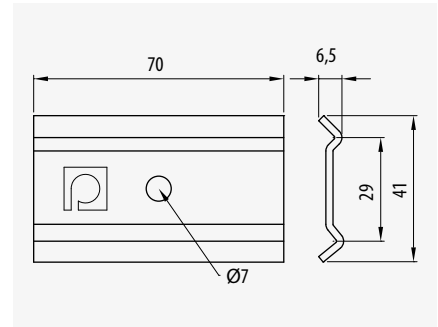
Side Joint Plate



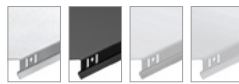
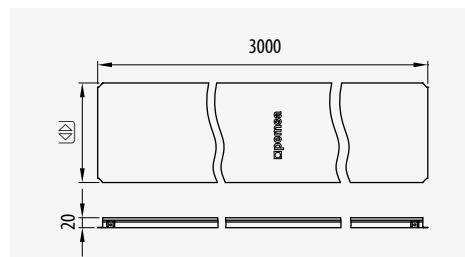
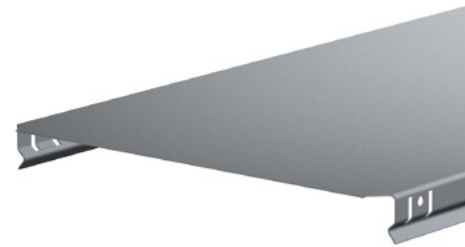
• 60-100-150 • 60-600

Ref	kg/u	50
<b>EZ</b> 64010041	0,0486	50
<b>GC</b> 64030041	0,0506	50
<b>BK8</b> 64080041	0,0486	50
<b>316L</b> 64060041	0,0486	50

ETIM: ECO02413



Cover



• 35-60-100-150 • 60-600

Ref	kg/u	24
<b>PG</b> 73021060	0,462	24
73021100	0,653	24
73021150	0,892	12
73021200	1,131	12
73021300	1,890	6
73021400	2,452	6
73021500	3,437	6
73021600	4,078	6
<b>GC</b> 73031060	0,617	24
73031100	0,872	24
73031150	1,190	12
73031200	1,507	12
73031300	2,424	6
73031400	3,823	6
73031450	3,556	6
73031500	4,700	6
73031600	5,577	6
<b>AZ+</b> 82003760	0,460	24
82003761	0,640	24
82003762	0,880	12
82003763	1,120	12
82003764	1,840	6
82003765	2,390	6
82003766	3,370	6
82003767	4,000	6

• 35-60-100-150 • 60-600

Ref	kg/u	6
<b>PT</b> 82003767	0,493	6
73041100	0,697	24
73041150	0,948	12
73041200	1,203	12
73041300	1,994	6
73041400	2,584	6
73041500	3,612	6
73041600	4,286	6
<b>304</b> 73051060	0,385	24
73051100	0,544	24
73051150	0,750	12
73051200	0,957	12
73051300	1,380	6
73051400	2,116	6
73051500	2,602	6
73051600	3,577	6
<b>316L</b> 73061060	0,385	24
73061100	0,544	24
73061150	0,750	12
73061200	0,957	12
73061300	1,380	6
73061400	2,116	6
73061500	2,602	6
73061600	3,577	6

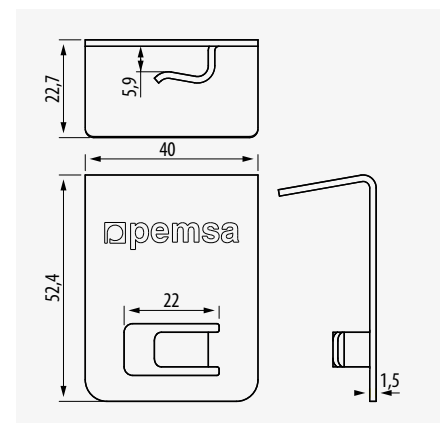
ETIM: ECO01000

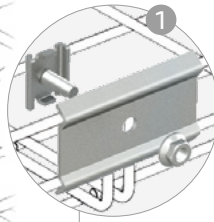
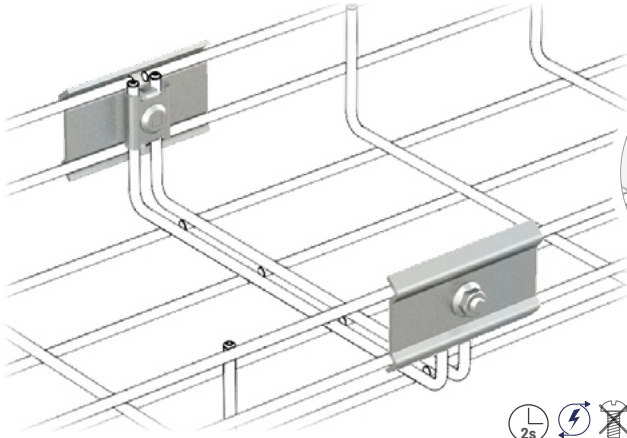
rejiband® cover fixing



• 60 • 60-600

Ref	kg/u	20
<b>GC</b> 82003333	0,033	20





Great fitting Maximum load values



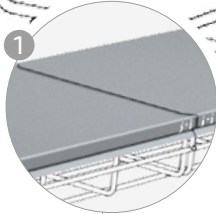
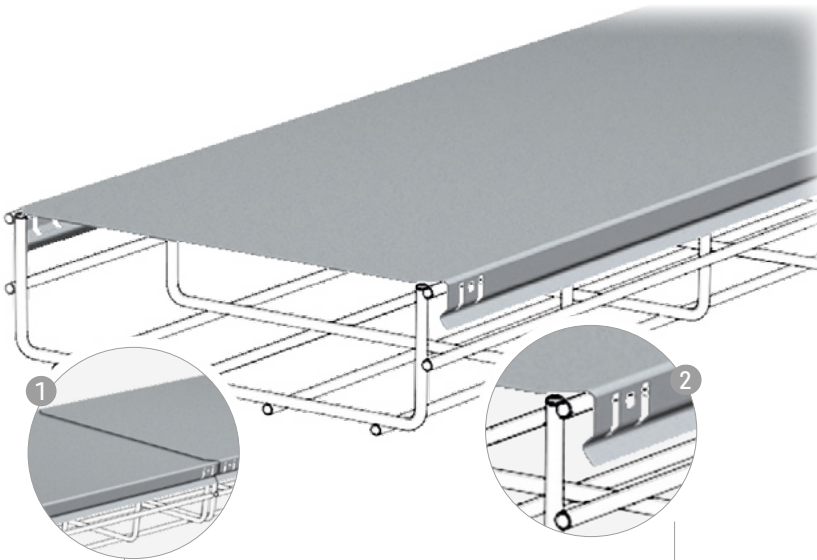
60-200	2	2	0	
300-400	2	2	1	
400-600	2	2	2	

\*Base

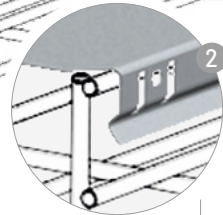


50mΩ

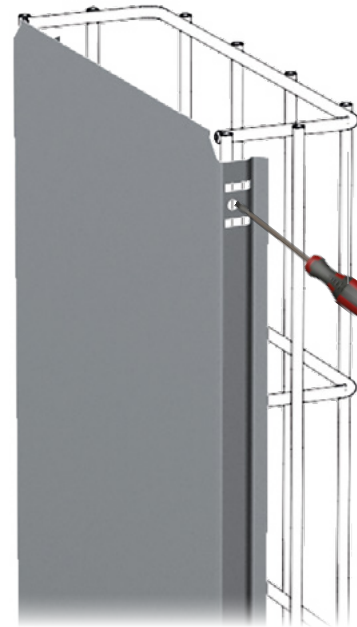
Electrical Continuity guaranteed



Overlap of Covers. Increases the rigidity



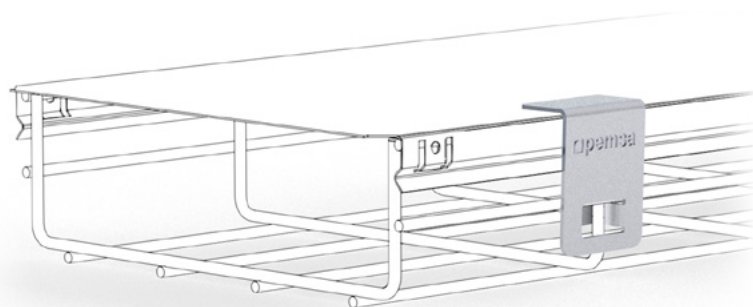
Click System. No screws are required



Cerrar Clip  
Close Clip

Safe vertical installation. No additional fixings

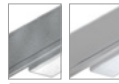
**Secure vertical fixing!**



**Maximum safety against wind and extreme weather.**

Enhanced security against extreme weather and wind

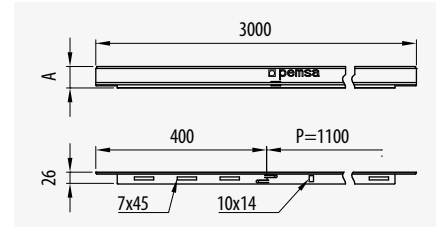
### Click Divider



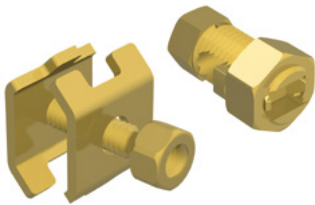
[ ] • [ ] 35-60-85-100 • [ ] 60-600					
⊙	A	⊙	Ref	kg/m	[ ]
<b>PG</b>	25	35	67020610	0,212	60
	50	60	67020611	0,312	48
	80	100	67020612	0,444	36
<b>GC</b>	25	35	67030610	0,261	60
	50	60	67030611	0,384	48
	80	100	67030612	0,541	36
<b>AZ+</b>	50	60	81000312	0,386	48
<b>304</b>	25	35	67050610	0,207	60
	50	60	67050611	0,305	48
	80	100	67050612	0,430	36

ETIM: EC001000

[ ] • [ ] 35-60-85-100 • [ ] 60-600					
⊙	A	⊙	Ref	kg/m	[ ]
<b>316L</b>	25	35	67060610	0,207	60
	50	60	67060611	0,305	48
	80	100	67060612	0,430	36

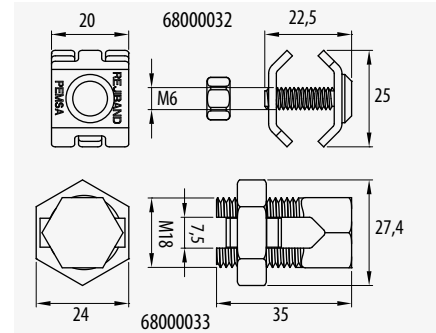


### Bonding Connector



[ ] • [ ] 35-60-100-150 • [ ] 60-600					
⊙	mm <sup>2</sup>	∅ máx (mm)	Ref	kg/u	[ ]
<b>LAT</b>	16-35	6,5	68000032	0,025	20
	35-45	7,5	68000033	0,064	20
	16-50	8	68000034	0,024	20
	50-110	11,5	68000035	0,043	20

ETIM: EC002935

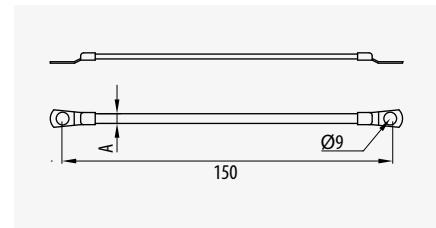


### Earth Continuity Connector



[ ] • [ ] 35-60-100-150 • [ ] 60-600					
⊙	A (mm <sup>2</sup> )	Ref	kg/u	[ ]	
<b>LAT</b>	12	68000036	0,014	10	
	16	68000037	0,020	10	

ETIM: EC002935

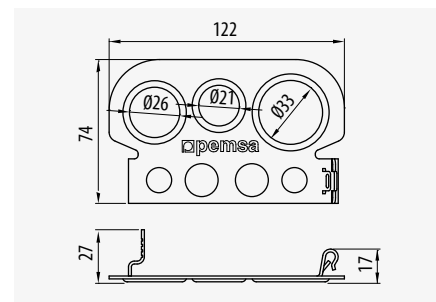


### Conduit Gland Bracket



[ ] • [ ] 60-100-150 • [ ] 60-600				
⊙	Ref	kg/u	[ ]	
<b>EZ</b>	67010040	0,065	10	
<b>BK8</b>	67080040	0,082	10	

ETIM: EC002407

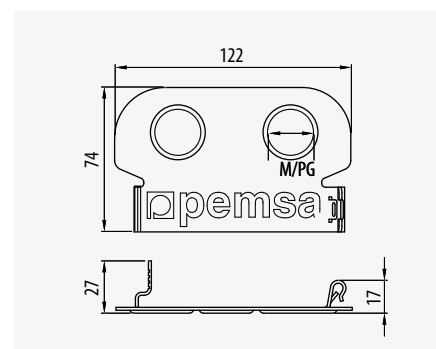


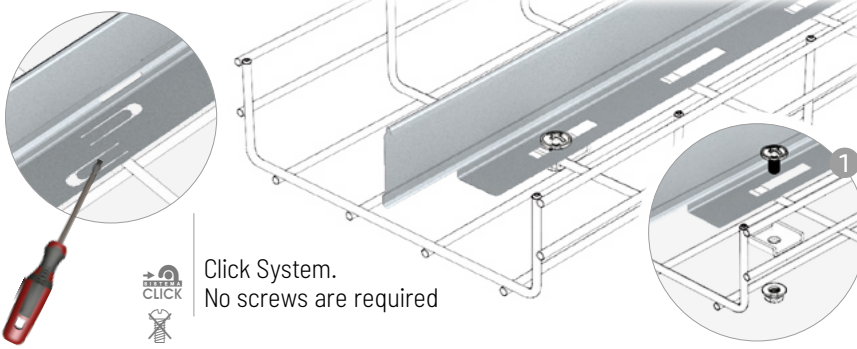
### Double Gland Bracket



[ ] • [ ] 60-100-150 • [ ] 60-600				
⊙	Ref	kg/u	[ ]	
<b>EZ</b>	M20, PG13, 1/2"	67010240	0,101	10
	M25, PG16, 3/4"	67010340	0,097	10
	M32, PG29, 1"	67010440	0,089	10
<b>BK8</b>	M20, PG13, 1/2"	67080240	0,101	10
	M25, PG16, 3/4"	67080340	0,097	10
	M32, PG29, 1"	67080440	0,089	10

ETIM: EC002407





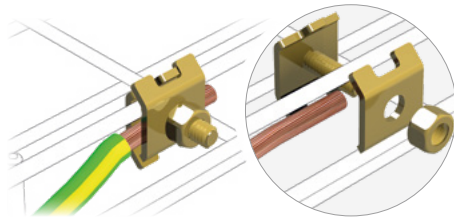
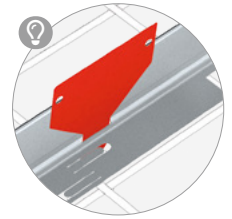
Click System.  
No screws are required



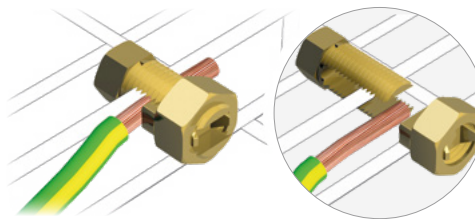
x1  
M6x20

x1m  $\pm$  46

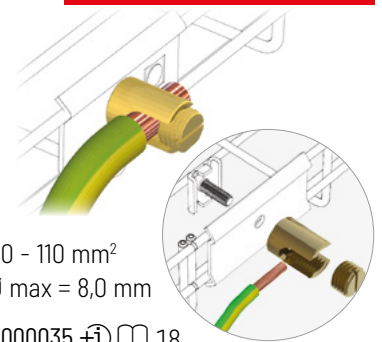
Easy  
installation



16 - 35 mm<sup>2</sup>. ref. 68000032  
Ø max = 6,5 mm



36 - 45 mm<sup>2</sup>. ref. 68000033  
Ø max = 7,5 mm



50 - 110 mm<sup>2</sup>  
Ø max = 8,0 mm

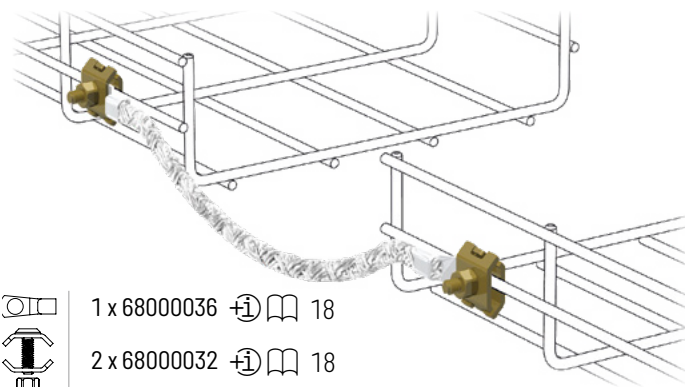
Solution

$\pm$  18 Bonding Connection

ref. 68000035  $\pm$  18

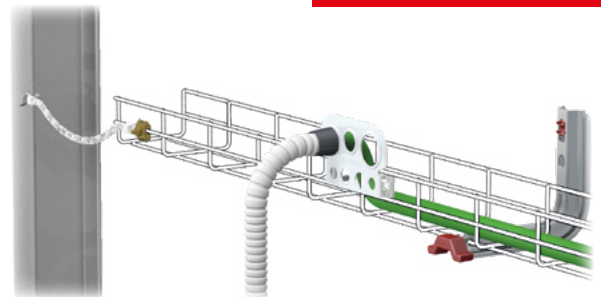
+ ref. 640X0041  $\pm$  16

+ ref. 640X0060  $\pm$  14

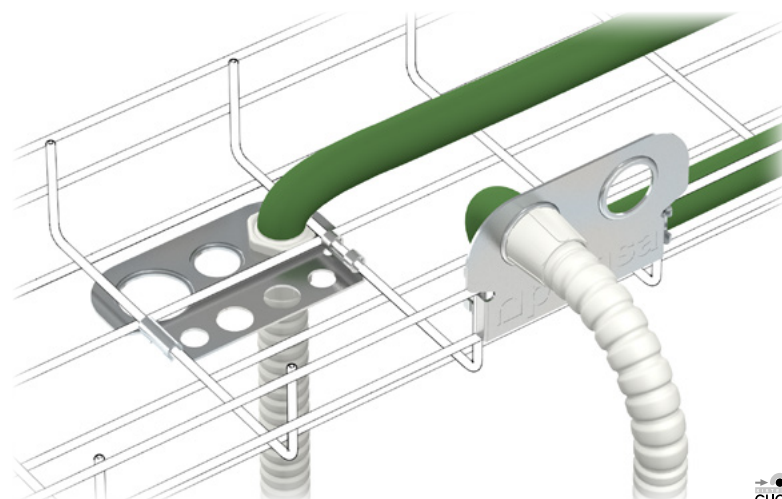


1 x 68000036  $\pm$  18

2 x 68000032  $\pm$  18



Electrical Continuity guaranteed



Protects cable outlet

Use with Pemsa Conduit  
+ RGp Coupler



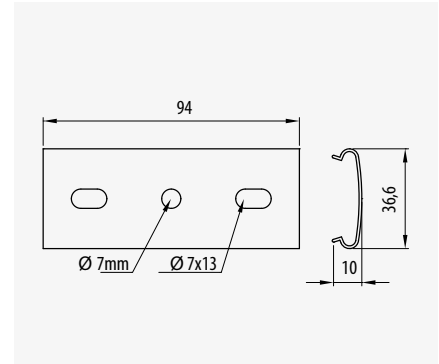
### Box Support



35-60-100-150 • 60-600

Ref	kg/u	u
68000040	0,010	20

ETIM: EC002935



### Luminaire and Box Support

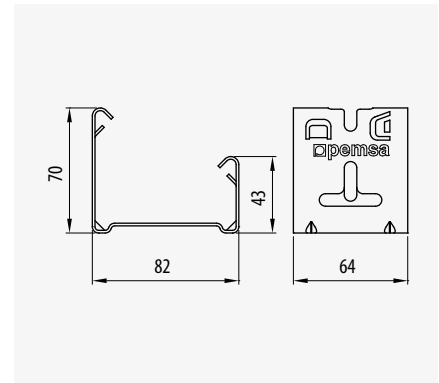


35-60 • 100-600

Ref	kg/u	u
<b>EZ</b> 67010030	0,143	10
<b>GC</b> 67030030	0,144	10
<b>BK8</b> 67080030	0,143	10

NO 60, 150, 450

ETIM: EC002935



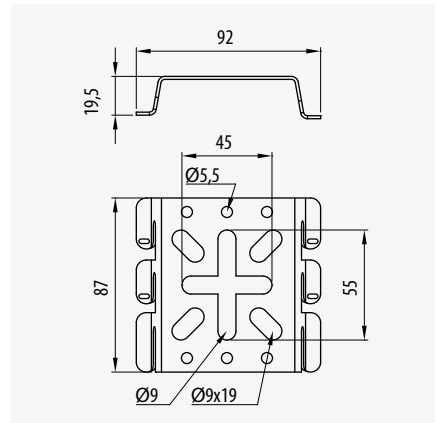
### Mini Universal Bracket



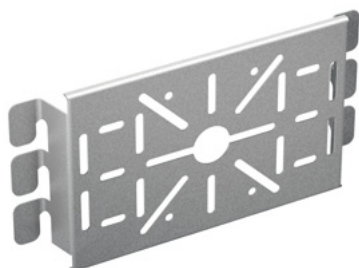
35-60-100-150 • 60-600

Ref	kg/u	u
<b>PG</b> 62026010	0,091	10
<b>GC</b> 62036010	0,101	10
<b>BK8</b> 62086010	0,091	10
<b>316L</b> 62066010	0,095	10

ETIM: EC000022



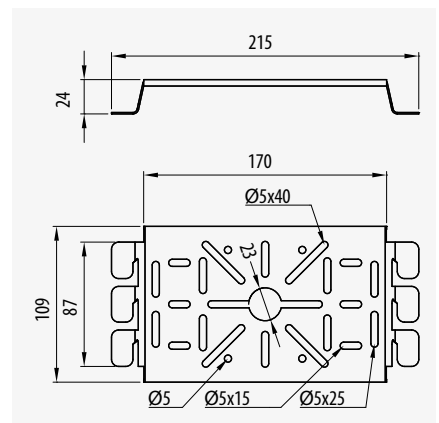
### Universal Bracket

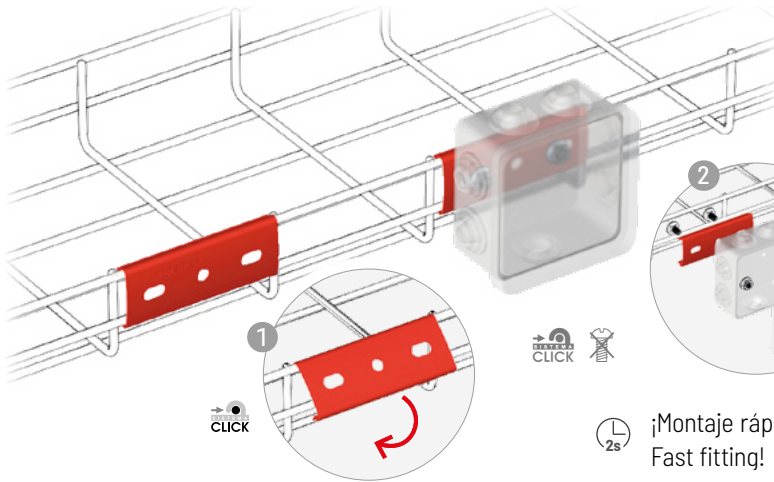


35-60-100-150 • 60-600

Ref	kg/u	u
<b>PG</b> 62026011	0,173	10
<b>GC</b> 62036011	0,187	10
<b>BK8</b> 62086011	0,173	10
<b>316L</b> 62066011	0,180	10

ETIM: EC000022



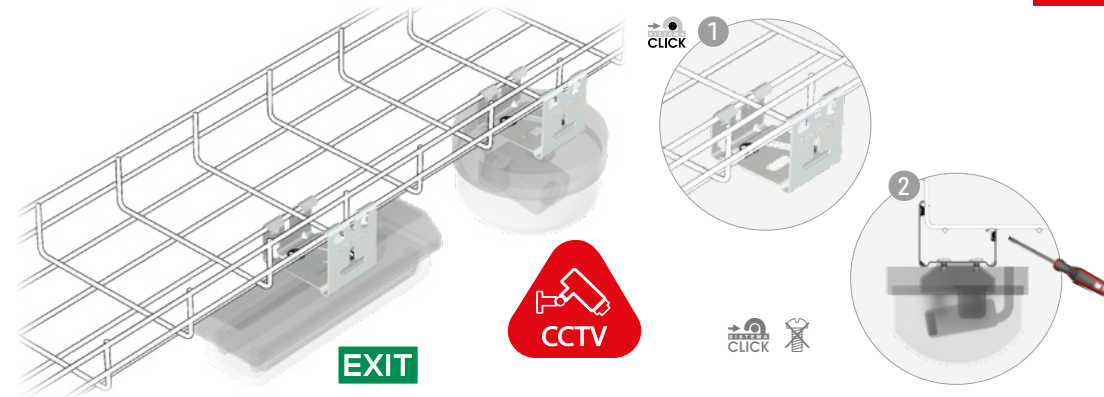


## Fast and economical

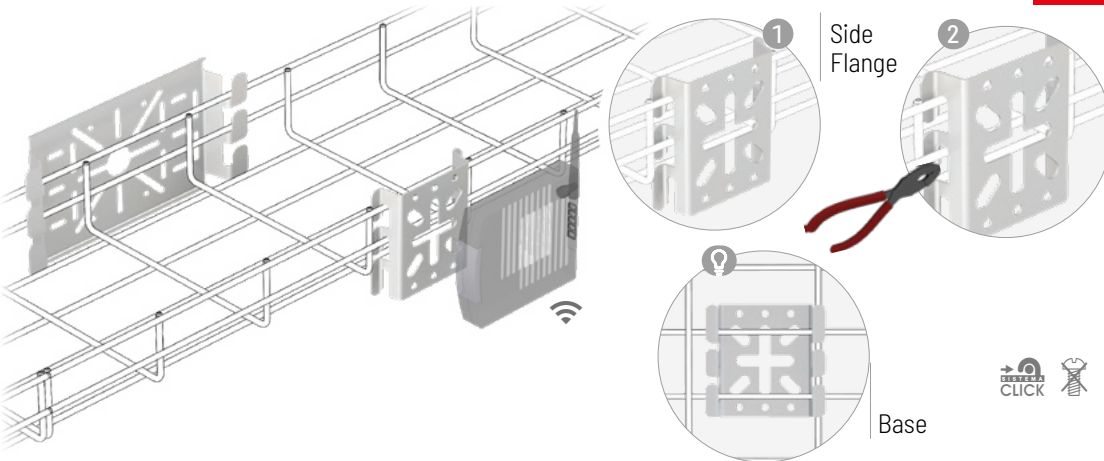
Multiple Applications:  
 • Lamps  
 • Emergency lighting

- Boxes
- Router
- Sensors
- CO<sub>2</sub> Detectors
- Cameras

¡Montaje rápido!  
 Fast fitting!



- Multiple Applications:
- Lamps
  - Emergency lighting
  - Boxes
  - Router
  - Sensors
  - CO<sub>2</sub> Detectors
  - Cameras



SOLUTIONS

Data Center



rejiband®  
**RAPIDE**

BC BK8



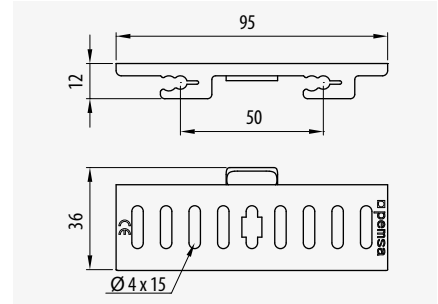
### Fixing Support



35-60-100-150 • 60-600

Ref	kg/u	
68000010	0,009	20


ETIM: EC002407



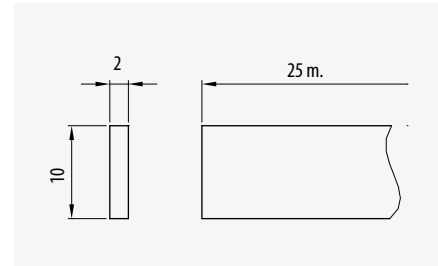
### Rejifix



35-60-100-150 • 60-600

Ref	kg/u	
68000002	0,140	1

ETIM: EC002407



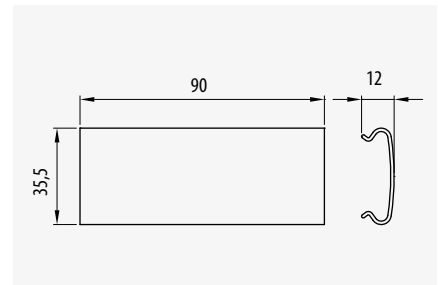
### Identification Plate



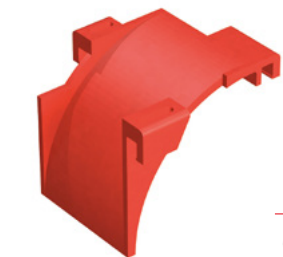
60-100-150 • 60-600

Ref	kg/u	
69000400	0,011	20

ETIM: EC002407



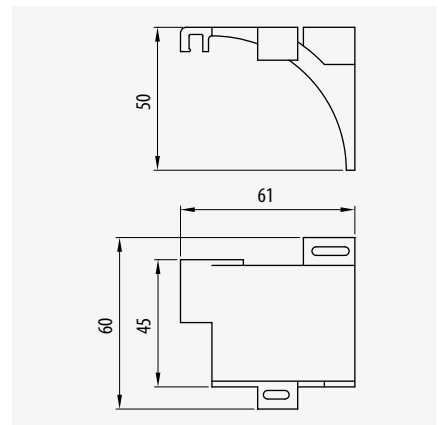
### Data Outlet



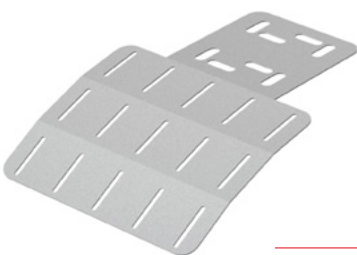
35-60-100-150 • 60-600

Ref	kg/u	
67020039	0,014	10



ETIM: EC002407



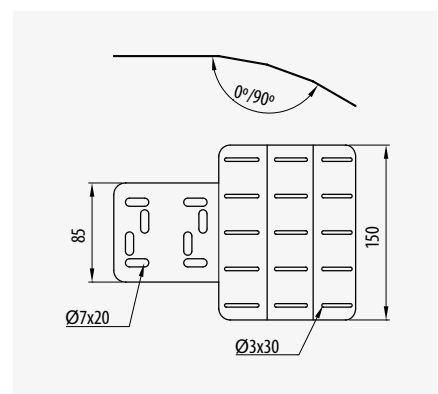
### Cable Outlet



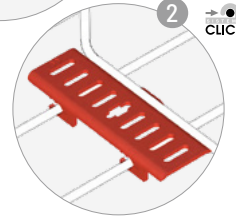
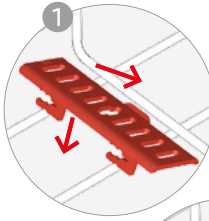
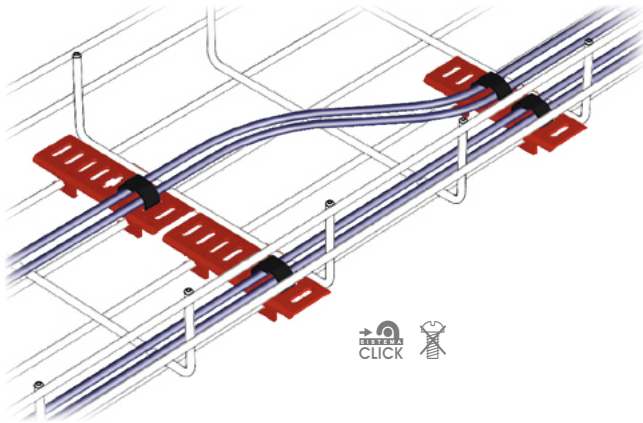
35-60-100-150 • 60-600

	Ref	kg/u	
PG	67010016	0,132	1
GC	67030016	0,157	1

ETIM: EC002407

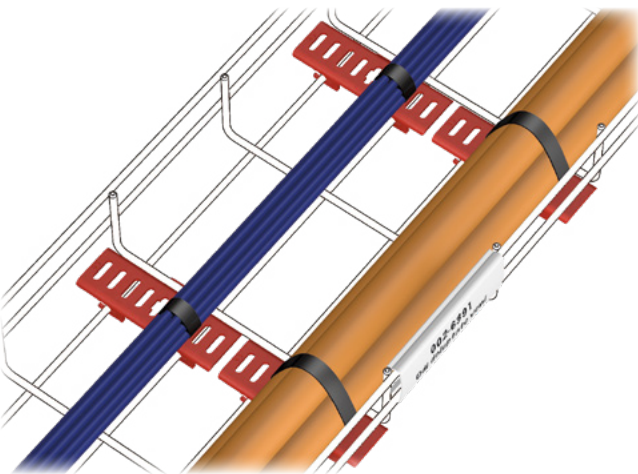






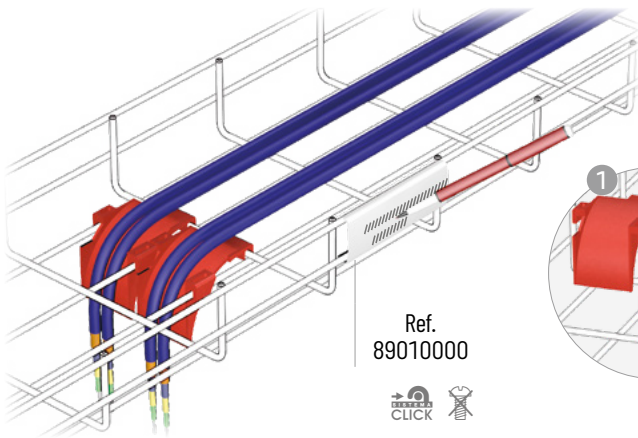
### Cable Management

- Cables / UTP Cat
- Fibre Optic
- Power Cables

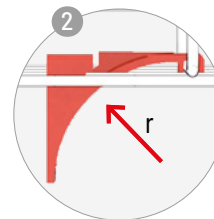
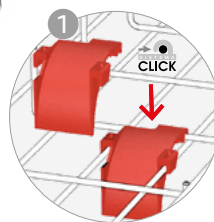


### Reusable

Fixation of power and data cables

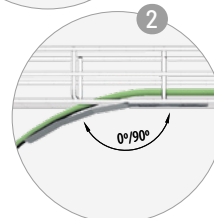
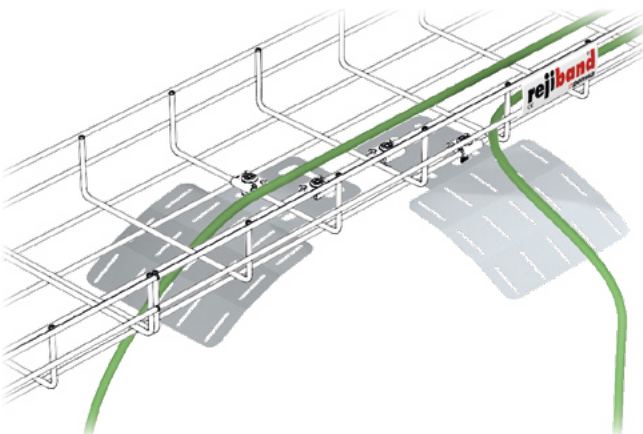


Ref. 89010000



### Protects cables. Optimum bending radius

- Cables / UTP Cat
- Fibre Optic
- Bending Radius <50 mm

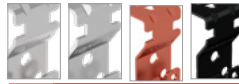


x 2 14

### Adjustable

Outlet protection for Power and Data Cables

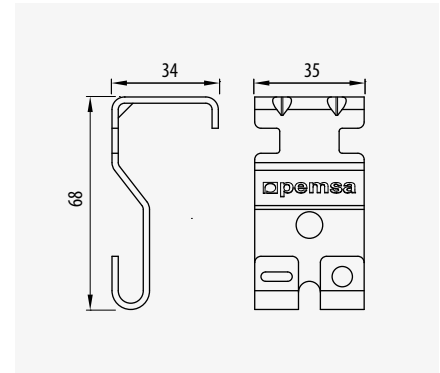
### Suspension Hanger



⊕ 35-100 • ⊖ 60-600

Ⓢ	Ref	kg/u	⊠
<b>EZ</b>	62016021	0,057	18
<b>PG</b>	81000019		
<b>GC</b>	81000021	0,057	18
<b>CU</b>	81003263	0,057	18
<b>BK8</b>	81000022	0,057	18

ETIM: EC000022



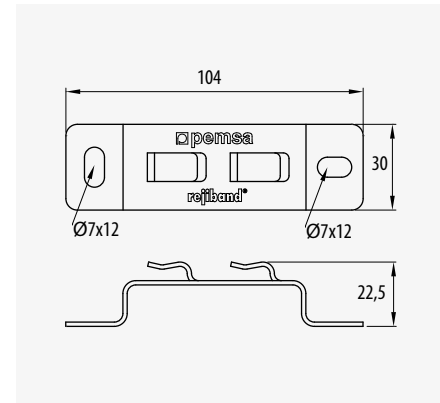
### Side Support 60



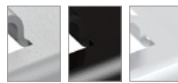
⊕ • ⊖ 60 • ⊖ 60-100-150

Ⓢ	Ref	kg/u	⊠
<b>EZ</b>	62011060	0,042	25
<b>GC</b>	62031060	0,044	25
<b>CU</b>	82003262	0,041	25
<b>BK8</b>	62081060	0,044	25
<b>316L</b>	62061060	0,042	25

ETIM: EC000022



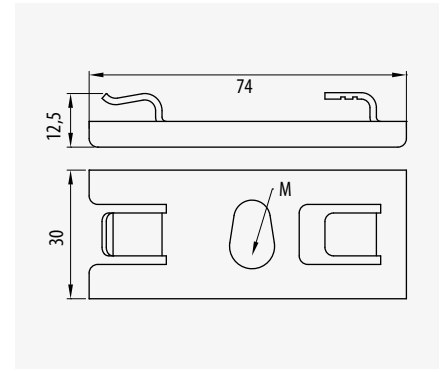
### Click Central Suspension



⊕ • ⊖ 35-60-100 • ⊖ 100-150-200

Ⓢ	M	Ref	kg/u	⊠
<b>EZ</b>	M6	67010143	0,046	20
	M8/M10	67010043	0,045	20
<b>GC</b>	M6	67030143	0,048	20
	M8/M10	67030043	0,048	20
<b>BK8</b>	M6	67080143	0,046	20
	M8/M10	67080043	0,045	20
<b>316L</b>	M6	67060143	0,045	20
	M8/M10	67060043	0,045	20

ETIM: EC001003



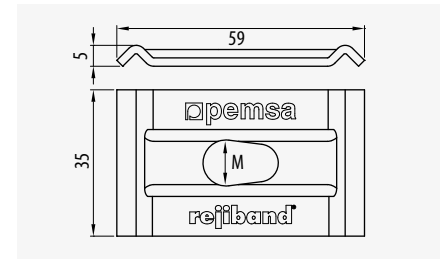
### Central Hanging Plate

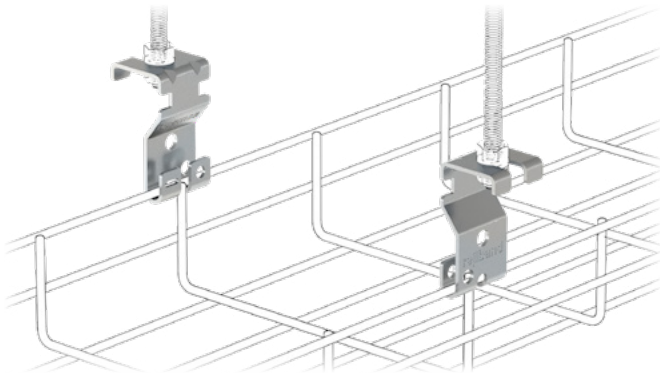




⊕ • ⊖ 35-60-100 • ⊖ 100-150-200

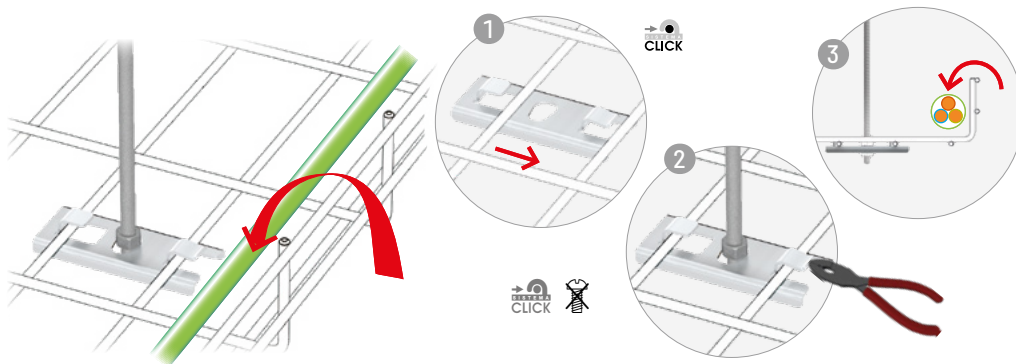
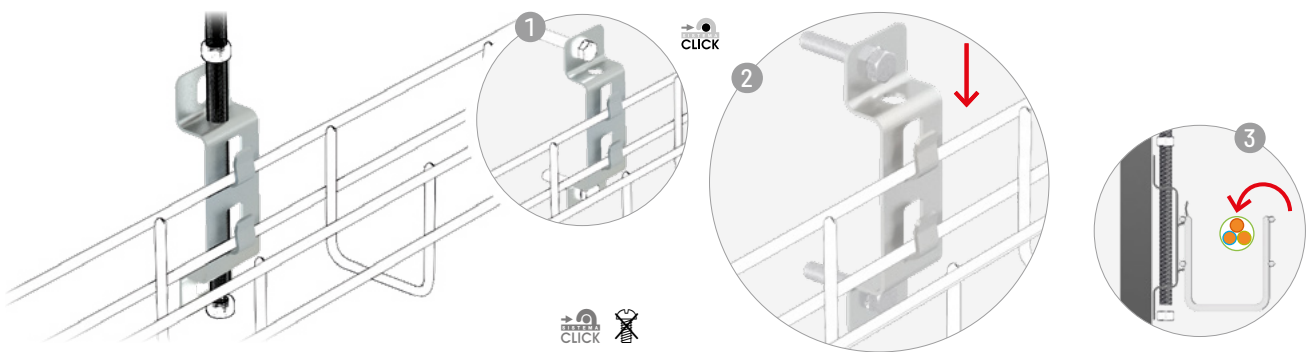
Ⓢ	M	Ref	kg/u	⊠
<b>EZ</b>	M6	67010144	0,033	20
	M8/M10	67010046	0,033	20
<b>GC</b>	M6	67030144	0,032	20
	M8/M10	67030046	0,032	20
<b>BK8</b>	M8/M10	67080046	0,030	20
<b>316L</b>	M8/M10	67060046	0,031	20




ETIM: EC001003

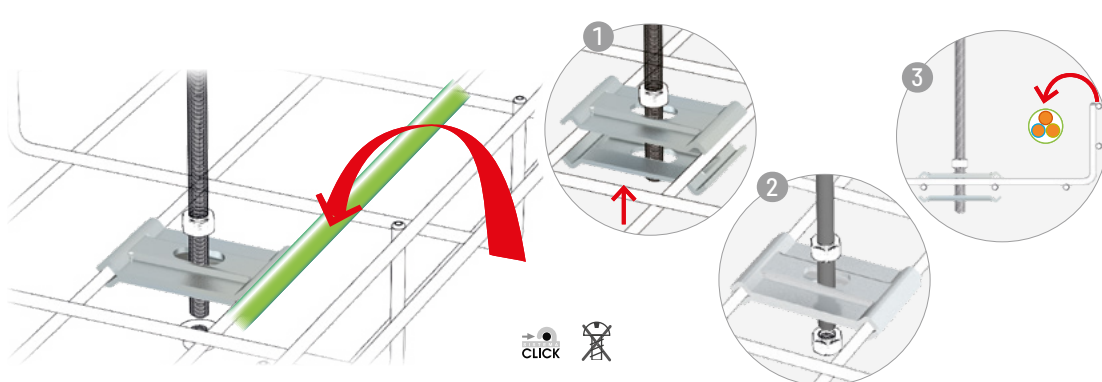



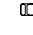



	
4-24 (100-600)	2
⊕ ⊞ 24	



	x 1	⊕ ⊞ 24
	x 2	
	x 1	



	x 2	⊕ ⊞ 24
	x 2	
	x 1	

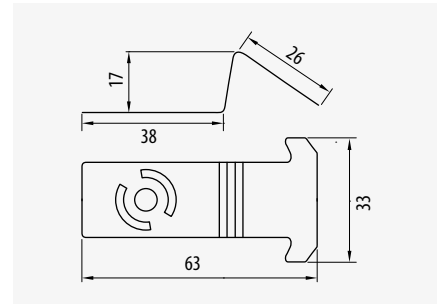
### Strut Clip



35-60-100-150 • 100-600

Ref	kg/u	Box
<b>GC</b> 67030049	0,016	50

ETIM: EC000483

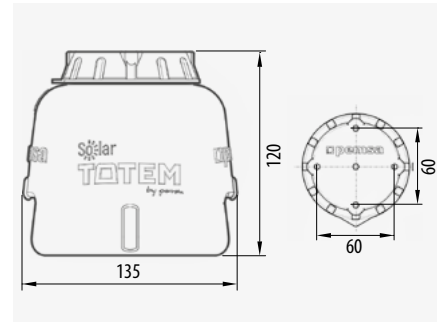


### Solar Totem



35-60-100-150 • 100-600

Ref	kg/u	Box
<b>9005</b> 82003450	0,161	4



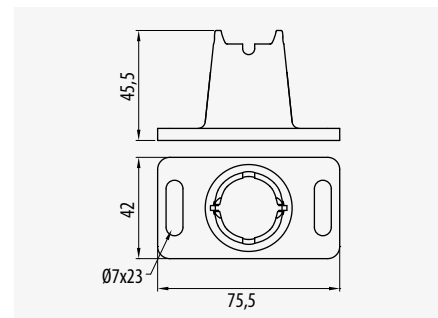
### Floor Foot



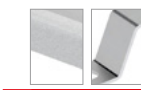
35-60-100-150 • 60-600

Ref	kg/u	Box
68000060	0,022	100

ETIM: EC000022

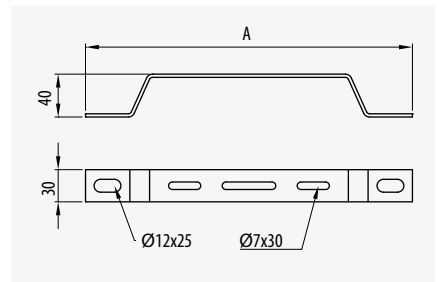


### Stand off Bracket



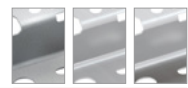
35-60-100-150 • 60-600

A	Ref	kg/u	Box
180	67030539	0,172	10
350	67030540	0,321	10
180	67030541	0,242	10
350	67030542	0,351	10
180	67060541	0,132	10
350	67060542	0,214	10



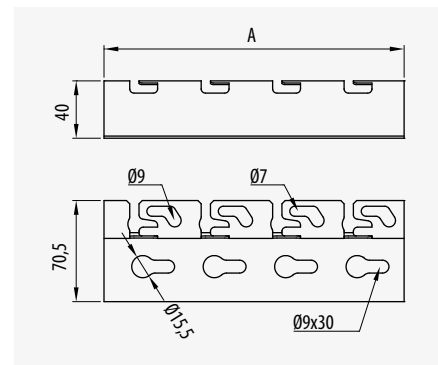
ETIM: EC000022

### Stand off Bracket Click



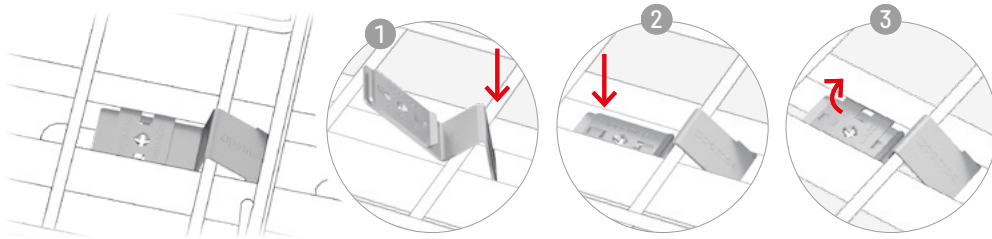
35-60-100-150 • 100-600

A	Ref	kg/u	Box
100	67020520	0,119	10
200	67020522	0,225	10
300	67020524	0,331	10
100	67030520	0,128	10
200	67030522	0,241	10
300	67030524	0,355	10
100	67050520	0,121	10
200	67050522	0,228	10
300	67050524	0,336	10
100	67060520	0,121	10
200	67060522	0,228	10
300	67060524	0,336	10



ETIM: EC000022





			26
100-300	1		
400-600	2		

Fast and Safe

Compatible with any size except 35x60 & 60x60

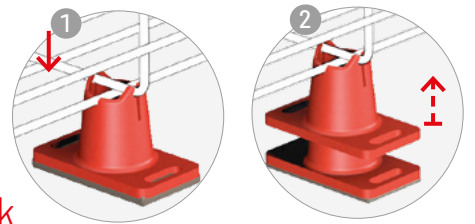
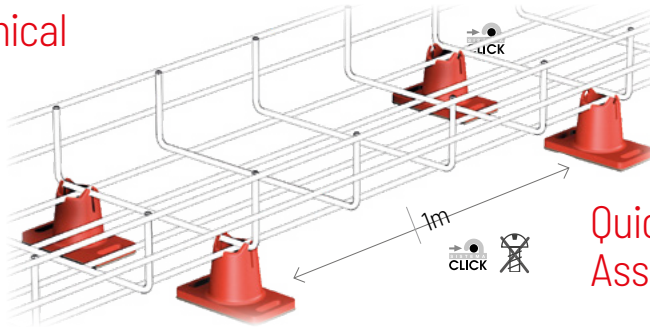
Assembly on strut 41x41 and 41x21



Easy, Economical

ref. 68000066

Adhesive & hardener

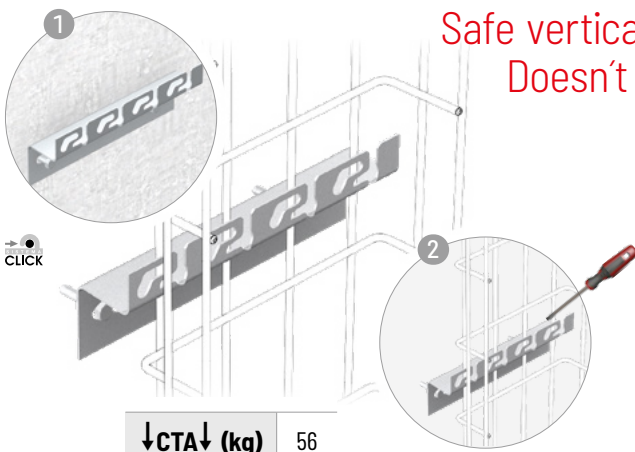


Quick Assembly



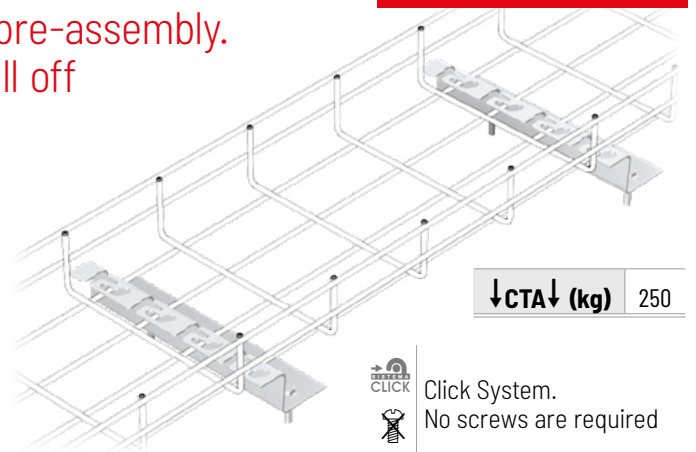
Applications:

- Technical floors
- Telecoms
- Technical rooms



Safe vertical pre-assembly.  
Doesn't fall off

↓CTA↓ (kg) 56



↓CTA↓ (kg) 250

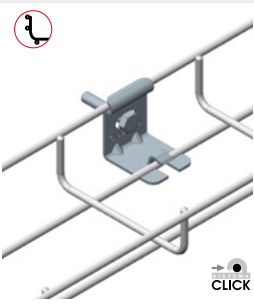
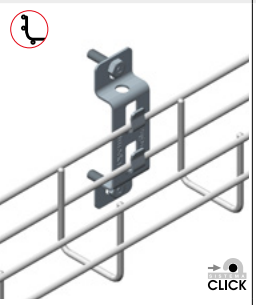
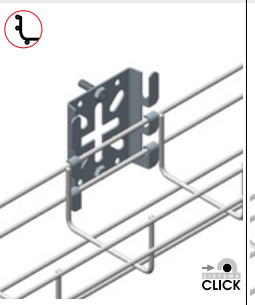
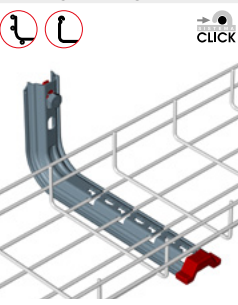
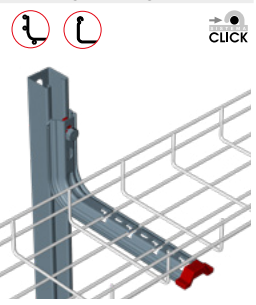


Click System.  
No screws are required

## Technical Information

### Wall assembly

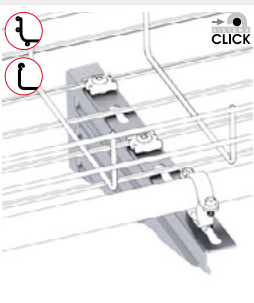
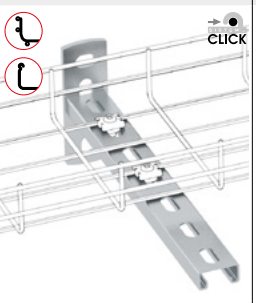
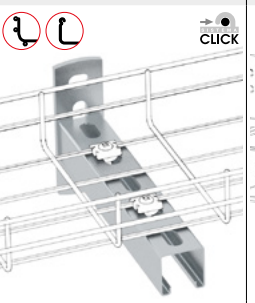
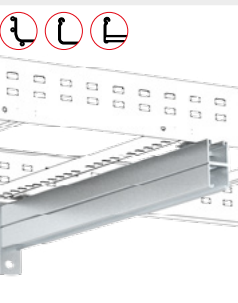
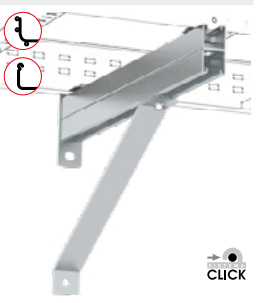
#### Horizontal

				
15 kg	25 kg	50 kg	28 / 60 kg	28 / 60 kg
	24	20	30	36

Admissible load

Universal System. Compatible for all cable trays

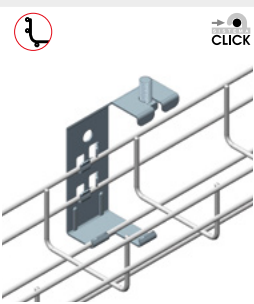
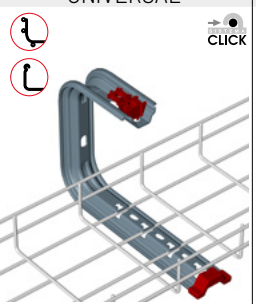
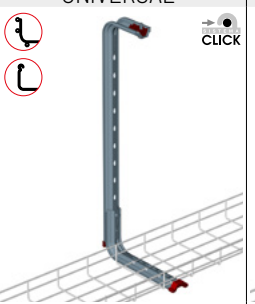
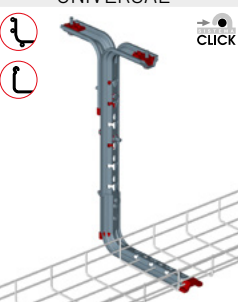
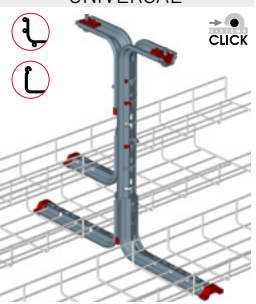
#### Multipurpose Installation Bracket

				
10 kg	10 kg	25 kg	85 kg	85 kg
32	34	34	34	34

For electrical, HVAC, fire and installations.

### Fitting to ceiling

#### Omega System

				
10 kg	18 / 30 kg	200 kg	330 kg	330 kg
-	-	7 kg x m	40 kg x m	40 kg x m
-	-	6 kg x m	15 kg x m	15 kg x m

1 Values obtained from test according to the IEC-61537 with a safety coefficient of 170% without ever reaching the collapse point. Guaranteed only for our hanger with security plug and supports reinforced with the PEMSAs structural reinforcement.

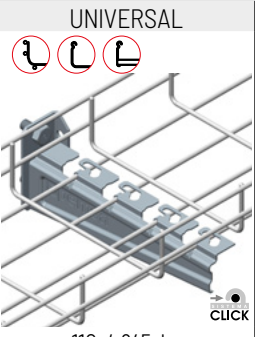
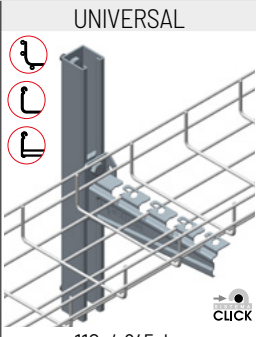
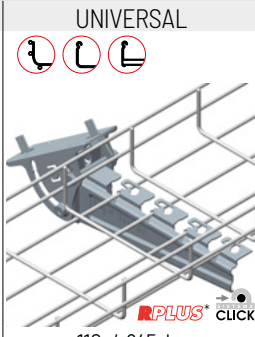
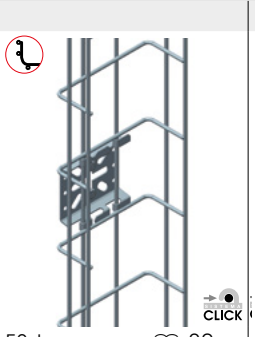
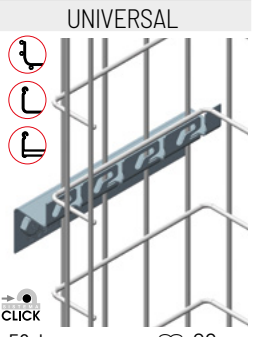
2 Values obtained in accordance with International Standard UNE-EN 61537 (Section H) relating to the information for safe installation of trays with horizontal supports. For further information please contact PEMSAs.

\* Bending moment 1: Resulting bending moment on ceiling plane.

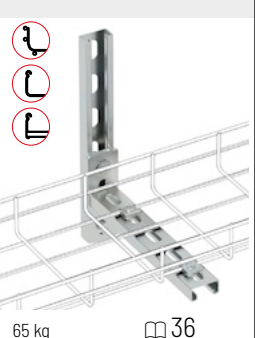
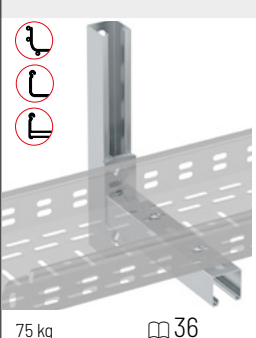
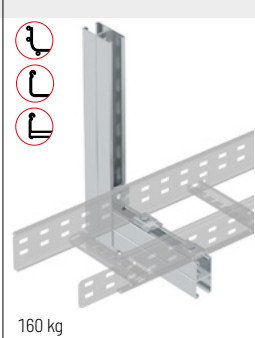
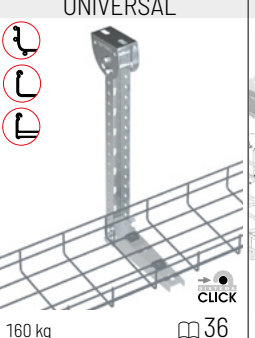
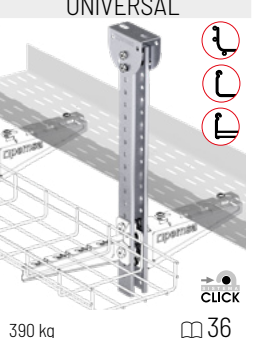
\*\* Bending moment 2: Resulting bending moment from cantilever bracket.

Technical Information

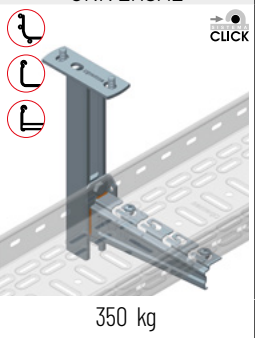
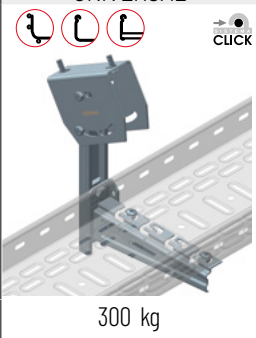
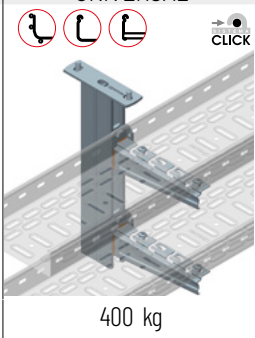
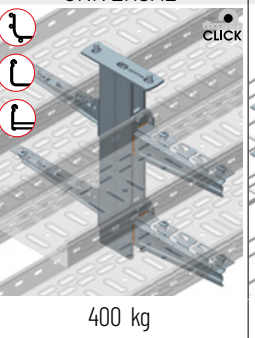
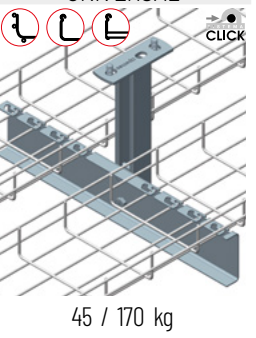
**Wall assembly**

Horizontal			Vertical	
 <p>UNIVERSAL</p> <p>110 / 245 kg</p>	 <p>UNIVERSAL</p> <p>110 / 245 kg</p>	 <p>UNIVERSAL</p> <p>110 / 245 kg</p> <p><i>RPLUS*</i></p>	 <p>50 kg</p> <p>20</p>	 <p>UNIVERSAL</p> <p>56 kg</p> <p>26</p>
<p>← Reinforced supports with greater load-bearing capacity →</p>				

**Fitting to ceiling**

Rail / Strut				
 <p>65 kg</p> <p>36</p>	 <p>75 kg</p> <p>36</p>	 <p>160 kg</p>	 <p>UNIVERSAL</p> <p>160 kg</p> <p>36</p>	 <p>UNIVERSAL</p> <p>390 kg</p> <p>36</p>
<p>← Increased savings in assembly time →</p>				

**Reinforced supports**

	UNIVERSAL	UNIVERSAL	UNIVERSAL	UNIVERSAL	UNIVERSAL
 <p>click</p>	 <p>click</p>	 <p>click</p>	 <p>click</p>	 <p>click</p>	
1	350 kg	300 kg	400 kg	400 kg	45 / 170 kg
2*	36 kg x m	35 kg x m	93 kg x m	93 kg x m	-
2*	43 kg x m	40 kg x m	73 kg x m	73 kg x m	-
<p>← Reinforced supports with greater load-bearing capacity →</p>					

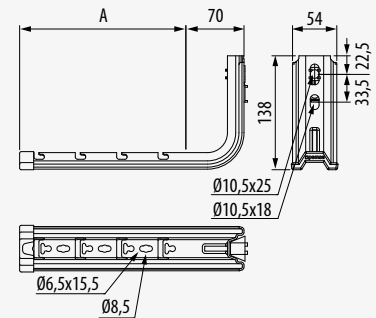
### Omega SPLUS Bracket



100-400				
Ⓢ	A	Ref	kg/u	⊞
PG	100	62021104	0,248	5
	150	62021154	0,275	5
	200	62021204	0,451	5
	300	62021304	0,572	5
	400	62021404	0,693	5
AZ+	100	62031104	0,256	5
	150	62031154	0,284	5
	200	62031204	0,462	5
	300	62031304	0,586	5
	400	62031404	0,711	5
CU	100	82003270	0,245	5
	150	82003271	0,274	5
	200	82003272	0,437	5
BK8	100	62081104	0,257	5
	150	62081154	0,286	5
	200	62081204	0,451	5
	300	62081304	0,566	5
	400	62081404	0,681	5
304	100	62051104	0,254	5
	150	62051154	0,283	5
	200	62051204	0,446	5
	300	62051304	0,561	5
	400	62051404	0,674	5

100-400				
Ⓢ	A	Ref	kg/u	⊞
316L	100	62061104	0,254	5
	150	62061154	0,283	5
	200	62061204	0,446	5
	300	62061304	0,561	5
	400	62061404	0,674	5

ETIM: EC001003



↓CTA↓ (kg)	⊞	kg
	100	60
	150	60
	200	60
	300	38
	400	28

NOT rejiBand® 60x60

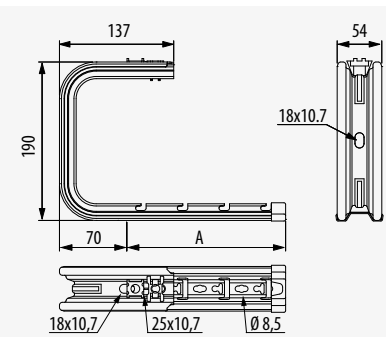
### Omega SPLUS Ceiling Bracket



100-400					
Ⓢ	A	Ref	kg/u	⊞	
PG	100	62022104	0,391	4	
	150	62022154	0,557	4	
	200	62022204	0,642	4	
	300	62022304	0,763	4	
	400	62022404	0,887	4	
AZ+	100	62032104	0,404	4	
	150	62032154	0,571	4	
	200	62032204	0,658	4	
	300	62032304	0,782	4	
	400	62032404	0,906	4	
CU	100	82003277	0,394	4	
	150	82003278	0,418	4	
	200	82003279	0,634	4	
300	82003280	0,748	4		
	BK8	100	62082104	0,408	4
		150	62082154	0,432	4
200		62082204	0,651	4	
300		62082304	0,765	4	
400		62082404	0,881	4	
304	100	62052104	0,403	4	
	150	62052154	0,427	4	
	200	62052204	0,643	4	
	300	62052304	0,757	4	
	400	62052404	0,871	4	

100-400				
Ⓢ	A	Ref	kg/u	⊞
316L	100	62062104	0,403	4
	150	62062154	0,427	4
	200	62062204	0,643	4
	300	62062304	0,757	4
	400	62062404	0,871	4

ETIM: EC001003

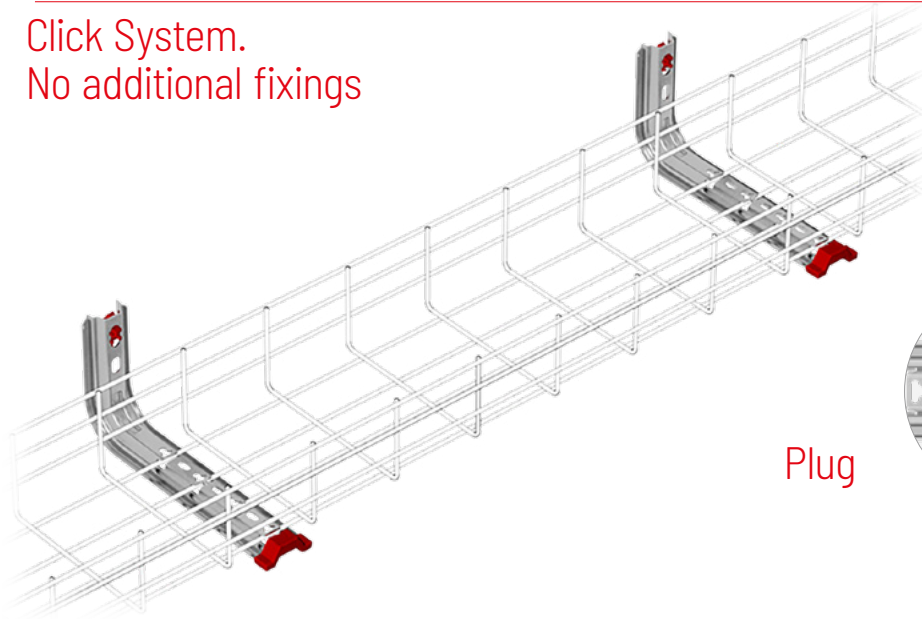


↓CTA↓ (kg)	⊞	kg
	100	33
	150	36
	200	29
	300	25
	400	18

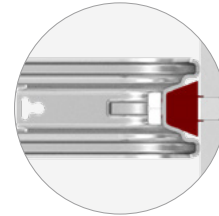
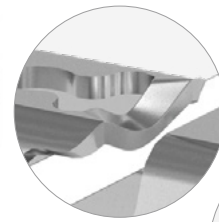
NOT rejiBand® 60x60



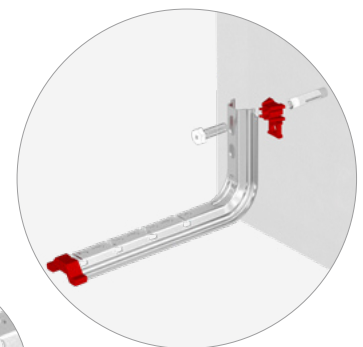
Click System.  
No additional fixings



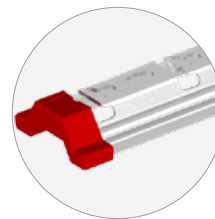
Plug



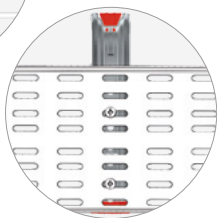
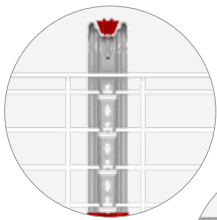
Compatible with all of the cable trays



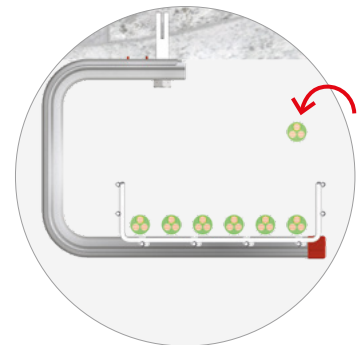
Protector



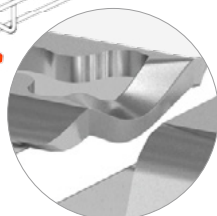
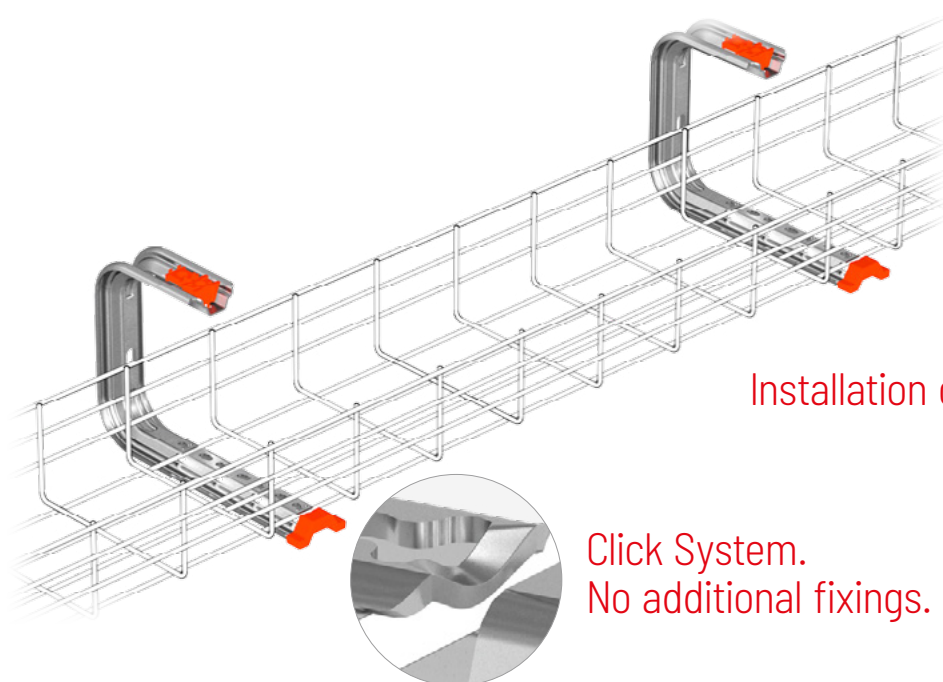
Security.  
Improves the installation



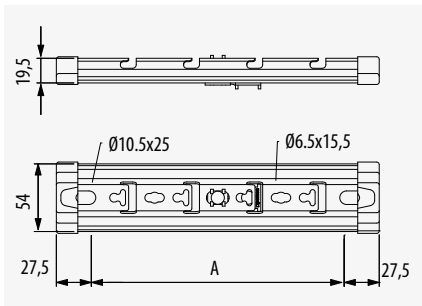
Installation of cables from the side



Click System.  
No additional fixings.



### SPLUS Omega Suspension



35-60-100 • 100-600				
Ⓢ	A	Ref	kg/u	📦
<b>PG</b>	100	63022104	0,133	10
	150	63022154	0,179	10
	200	63022204	0,224	10
	300	63022304	0,314	10
	400	63022404	0,405	10
	500	63022504	0,495	10
	600	63022604	0,586	10
<b>AZ+</b>	100	63032104	0,143	10
	150	63032154	0,191	10
	200	63032204	0,241	10
	300	63032304	0,336	10
	400	63032404	0,434	10
	500	63032504	0,531	10
	600	63032604	0,627	10
<b>CU</b>	100	82003289	0,128	10
	150	82003290	0,175	10
	200	82003291	0,213	10
	300	82003292	0,299	10
	400	82003293	0,384	10
	500	82003294	0,469	10
	600	82003295	0,554	10

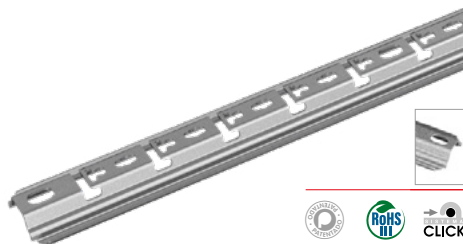
35-60-100 • 100-600				
Ⓢ	A	Ref	kg/u	📦
<b>BK8</b>	100	63082104	0,137	10
	150	63082154	0,187	10
	200	63082204	0,228	10
	300	63082304	0,321	10
	400	63082404	0,411	10
	500	63082504	0,502	10
	600	63082604	0,593	10
<b>304</b>	100	63052104	0,136	10
	150	63052154	0,182	10
	200	63052204	0,221	10
	300	63052304	0,306	10
	400	63052404	0,391	10
	500	63052504	0,476	10
	600	63052604	0,561	10
<b>316L</b>	100	63062104	0,136	10
	150	63062154	0,182	10
	200	63062204	0,221	10
	300	63062304	0,306	10
	400	63062404	0,391	10
	500	63062504	0,476	10
	600	63062604	0,561	10

ETIM: EC001003

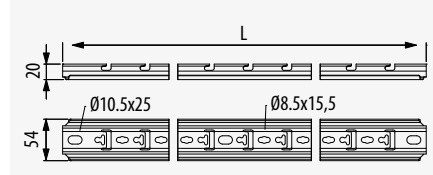
↓CTA↓ (kg)	📏	kg
one rod		
	100-300	160

↓CTA↓ (kg)	📏	kg
double rod		
	400-600	390

### SPLUS Omega Channel



35-60-100 • 100-600				
Ⓢ	L	Ref	kg/u	📦
<b>PG</b>	1000	67020110	1,196	1
	2000	67020111	2,331	1
	3000	67020112	3,462	1
<b>AZ+</b>	1000	67030110	1,229	1
	2000	67030111	2,399	1
	3000	67030112	3,555	1



ETIM: EC001003



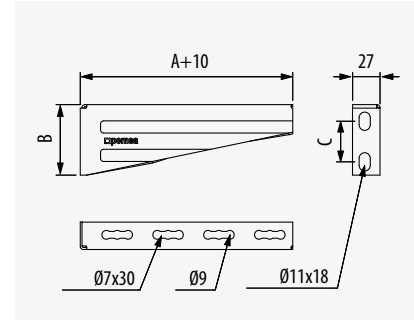
### MPLUS Cantilever



**NEW**

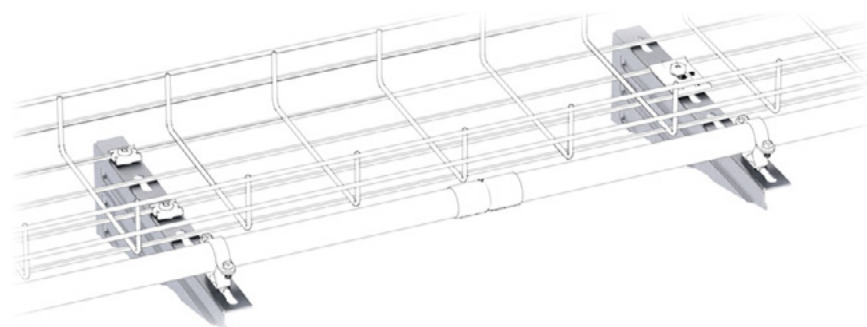
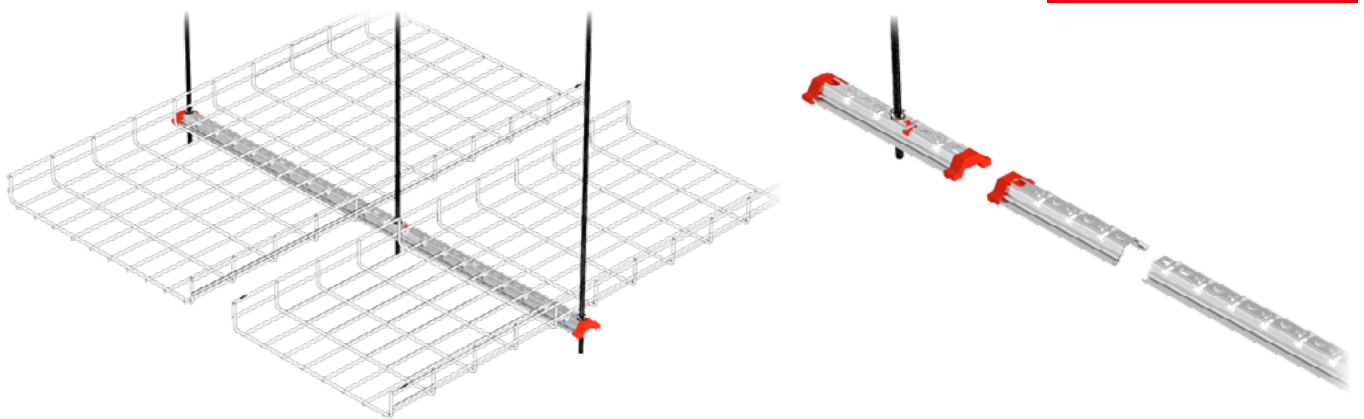
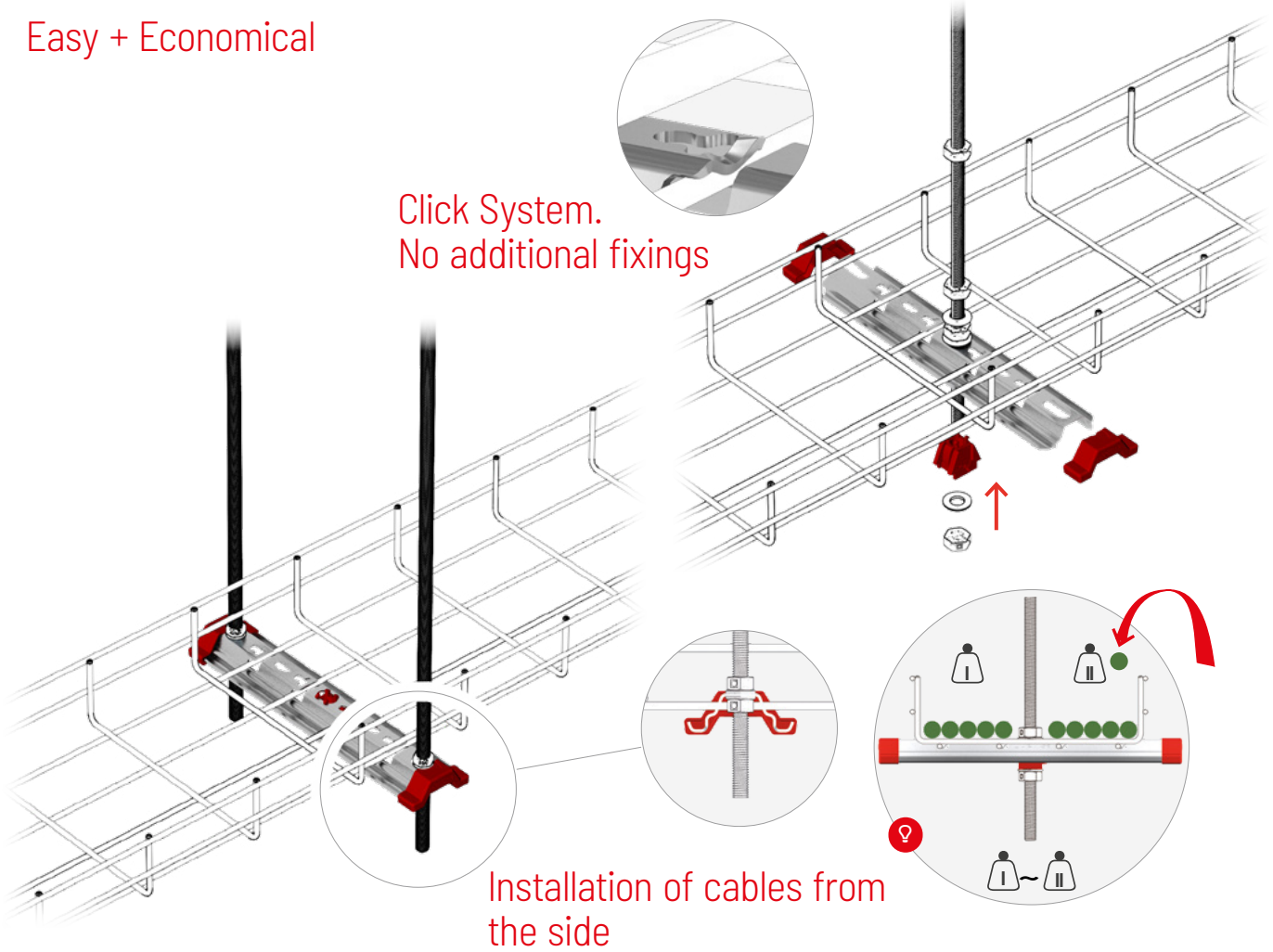


100-600						
A	B	C	PG	AZ+	kg/u	📦
100	69	40	82003768	82003775	0,209	1
150	69	40	82003769	82003776	0,297	1
200	69	40	82003770	82003777	0,499	1
300	95	65	82003771	82003778	0,824	1
400	95	65	82003772	82003779	1,080	1
500	95	65	82003773	82003780	1,330	1
600	95	65	82003774	82003781	1,580	1



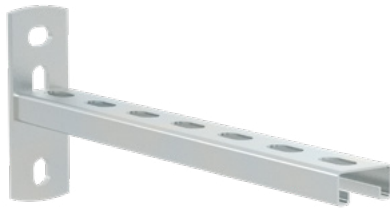
## Easy + Economical

Click System.  
No additional fixings

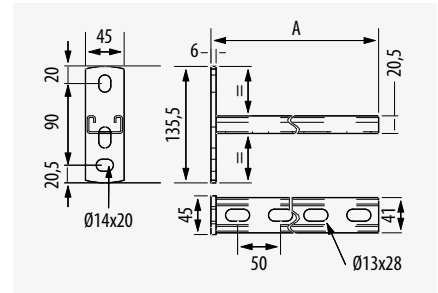


Multipurpose Installation  
Bracket

### Cantilever arm 41x21



Ⓢ	⏏	A	Ref	kg/u	📦
<b>EZ</b>	100	155	82002600	0,461	1
	200	255	82002601	0,607	1
	300	355	82002602	0,752	1
	500	555	82002603	1,040	1
	1000	1055	82002604	1,770	1
<b>GC</b>	100	155	82002605	0,485	1
	200	255	82002606	0,641	1
	300	355	82002607	0,797	1

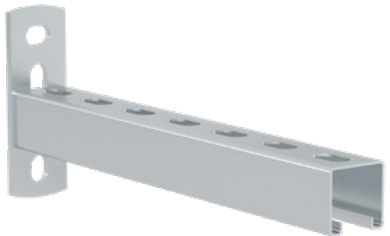


ETIM: EC001003

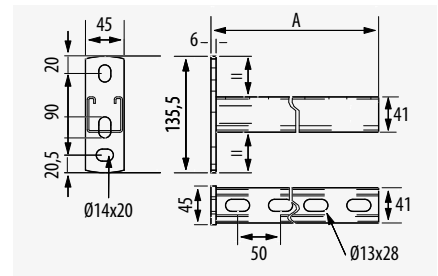
↓CTA↓ (kg)	⏏	kg
100	100	242
200	200	196
300	300	146
500	500	94
1000	1000	36



### Cantilever arm 41x41



Ⓢ	⏏	A	Ref	kg/u	📦
<b>GC</b>	200	255	82002608	0,931	1
	300	355	82002609	1,200	1
	500	555	82002610	1,750	1
	600	655	82002611	2,020	1
	800	855	82002612	2,570	1
	1000	1055	82002613	3,110	1
<b>304</b>	200	255	82002614	0,881	1
	300	355	82002615	1,140	1
	500	555	82002616	1,650	1
	600	655	82002617	1,910	1
<b>316</b>	200	255	82002618	0,881	1
	300	355	82002619	1,140	1
	500	555	82002620	1,650	1
	600	655	82002621	1,910	1

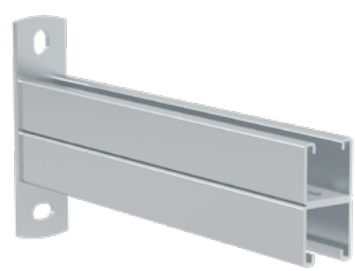


↓CTA↓ (kg)	⏏	kg
200	200	358
300	300	262
500	500	165
600	600	141
800	800	107
1000	1000	85

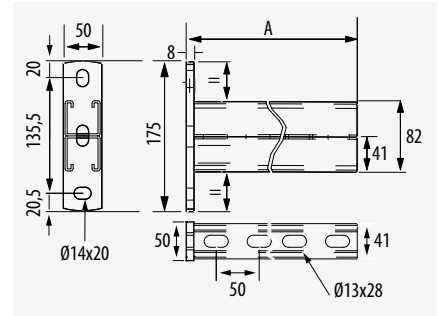
ETIM: EC001003



### Cantilever arm 41x82



Ⓢ	⏏	A	Ref	kg/u	📦
<b>GC</b>	500	555	82002622	3,440	1
	600	655	82002623	3,980	1
	800	855	82002624	5,070	1
	1000	1055	82002625	6,160	1



↓CTA↓ (kg)	⏏	kg
500	500	376
600	600	318
800	800	247
1000	1000	198

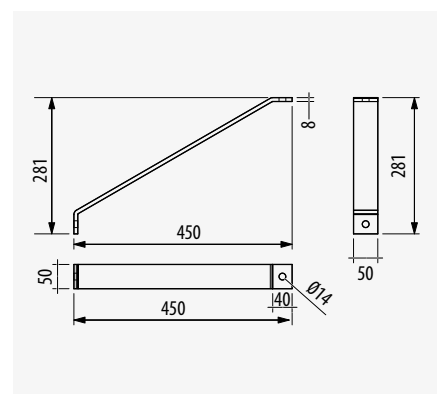
ETIM: EC001003



### Cantilever Arm Brace





Ⓢ	Ref	kg/u	📦
<b>GC</b>	82002627	1,880	1
<b>316</b>	82002628	1,710	1



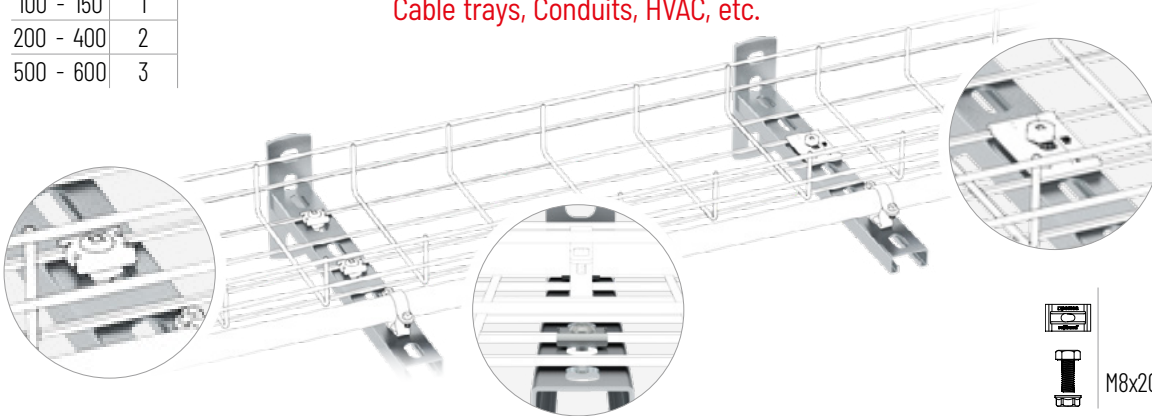
ETIM: EC001003







		14
100 - 150	1	
200 - 400	2	
500 - 600	3	

## Multipurpose Support System




Cable trays, Conduits, HVAC, etc.



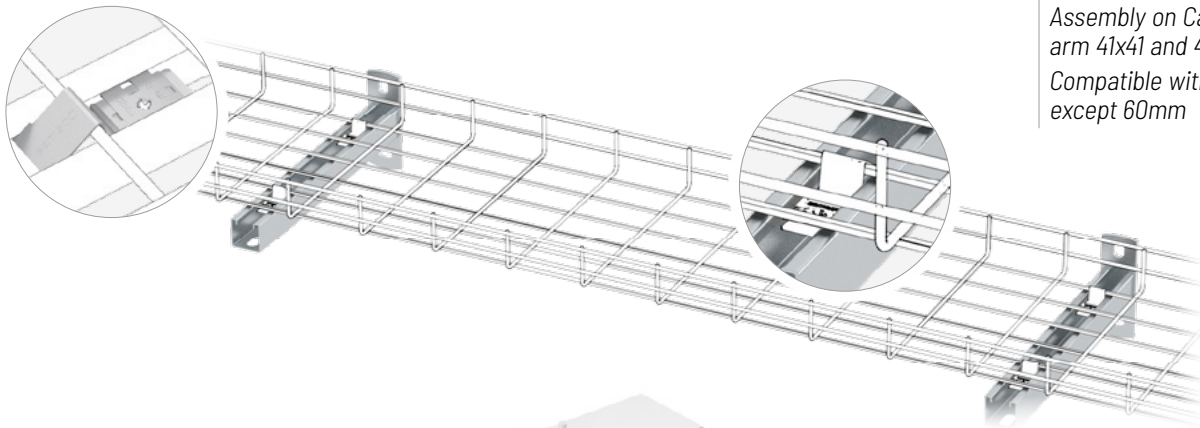
	x1		24	
	M8x20	x2		56

## Quick Assembly

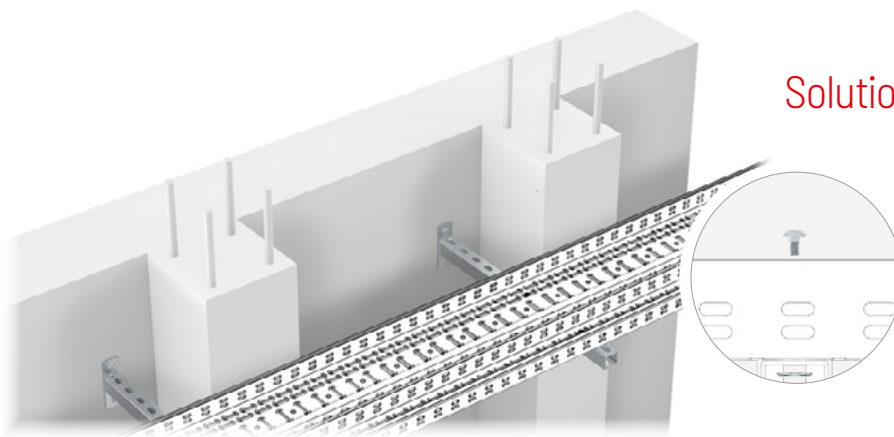
Fast and Safe

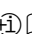

		14
100 - 300	1	
400 - 600	2	

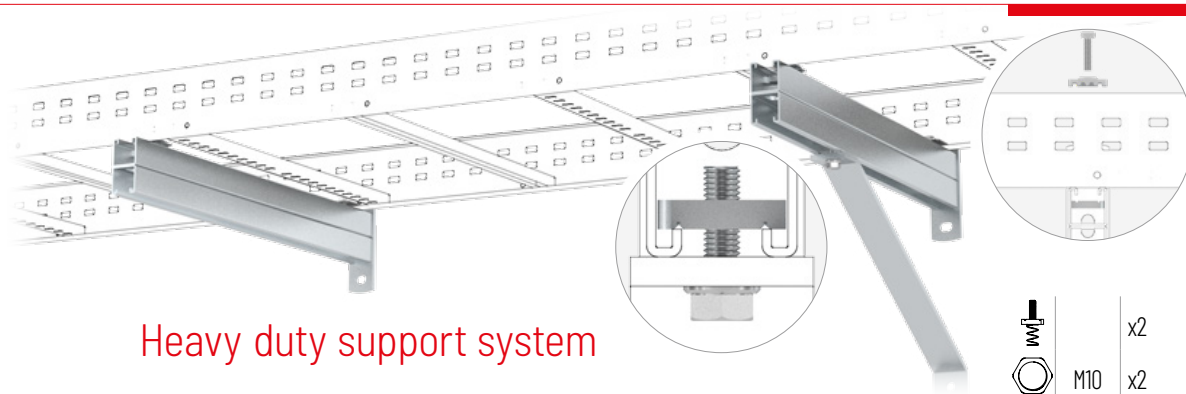
Assembly on Cantilever arm 41x41 and 41x21  
Compatible with any width except 60mm



Solution to overcome obstacles



	M6x30	x2		46
	M10	x2		
	M8	x2		



Heavy duty support system

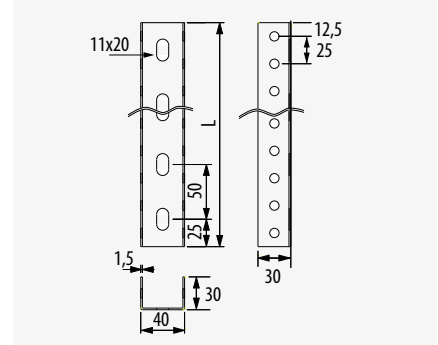
	x2
	M10 x2

### 3C Strut 40x30x1.5

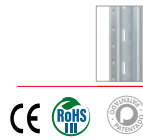


		35,60,100 • 60-400		
Ⓢ	Ref	Ⓢ	kg/u	Ⓢ
PG	81000101	500	0,526	1
	81000105	1000	1,050	1
	81000107	3000	1,050	1
GC	82003164	500	0,582	1
	82003166	1000	1,170	1
	82003168	3000	1,170	1

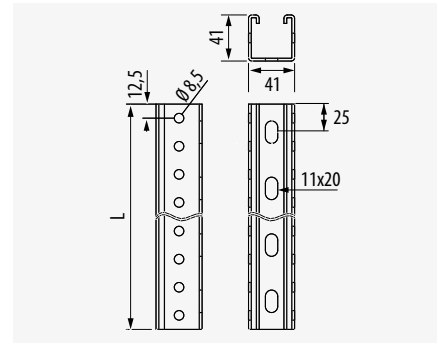
ETIM: EC000022



### 3C Strut 41x41x2.5



		35,60,100 • 60-400		
Ⓢ	Ref	Ⓢ	kg/u	Ⓢ
PG	81000104	500	0,788	1
	81000106	1000	1,580	1
	81000109	3000	1,580	1
GC	82003165	500	0,872	1
	82003167	1000	1,740	1
	82003170	3000	1,740	1

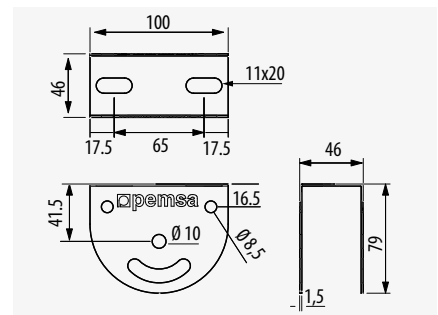


### 3C Mounting Plate



		35,60,100 • 60-400		
Ⓢ	Ref	kg/u	Ⓢ	
PG	81003172	0,185	2	
GC	82003175	0,206	2	

ETIM: EC000022

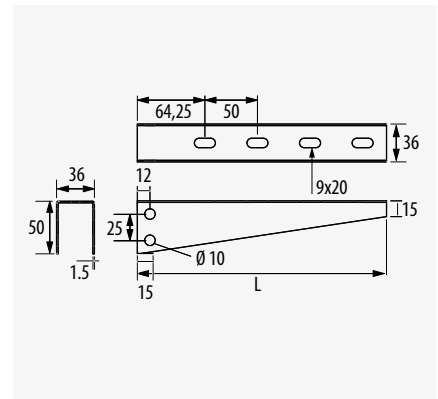


### 3C Strut Cantilever



		35,60,100 • 60-400		
Ⓢ	Ref	Ⓢ	kg/u	Ⓢ
PG	82003152	100	0,154	1
	82003154	150	0,208	1
	82003155	200	0,263	1
	82003156	300	0,372	1
	82003157	400	0,481	1
GC	82003158	100	0,170	1
	82003160	150	0,231	1
	82003161	200	0,291	1
	82003162	300	0,411	1
	82003163	400	0,535	1

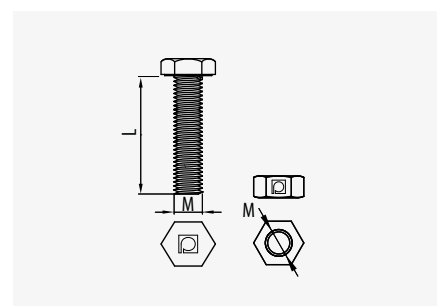
ETIM: EC000022

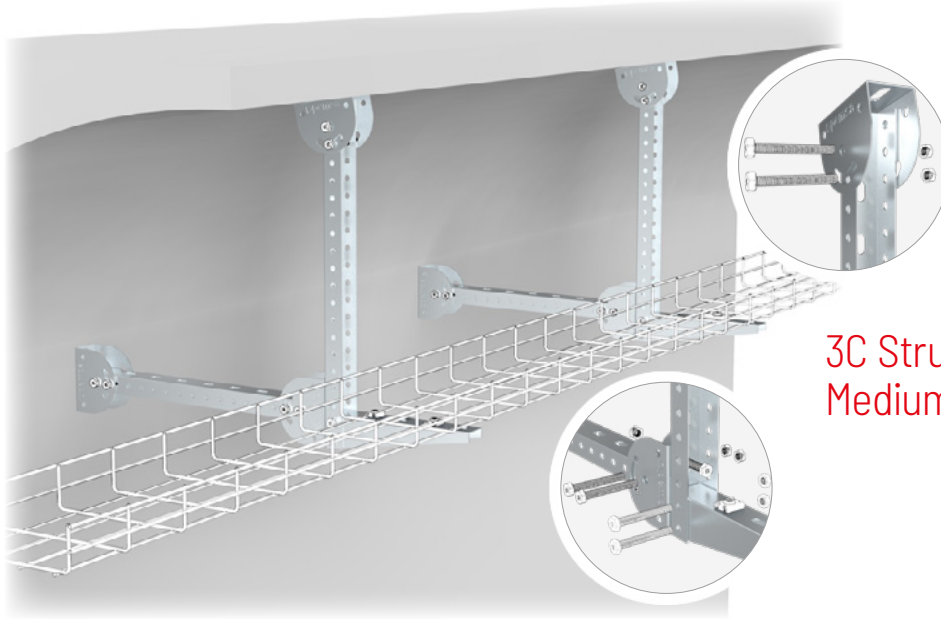


### Hexagonal set screw + Hexagonal nut



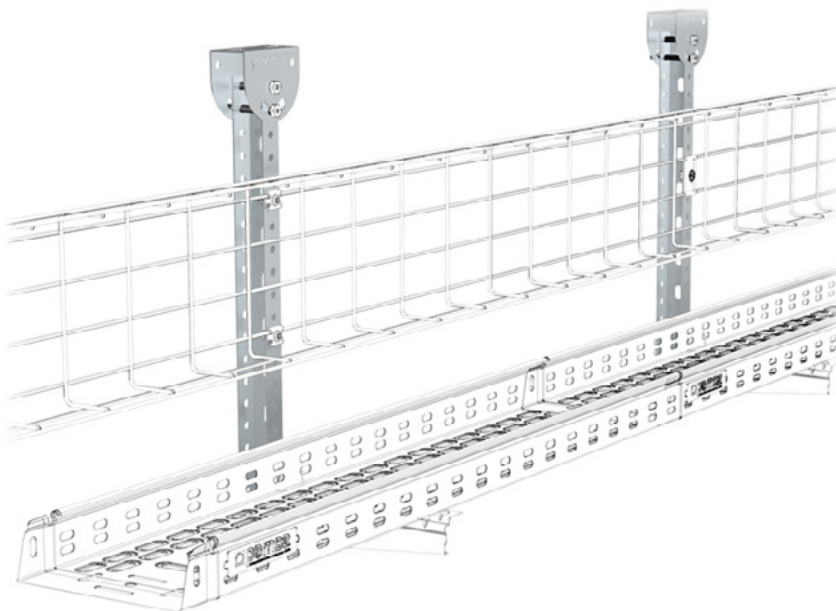
		35,60,100 • 60-400		
Ⓢ	M	Ref	kg/u	Ⓢ
EZ	M8x65	67020092	0,040	100
GC		67030092	0,040	100
EZ	M8	67020095	0,005	100
GC		67030062	0,005	100





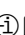


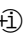





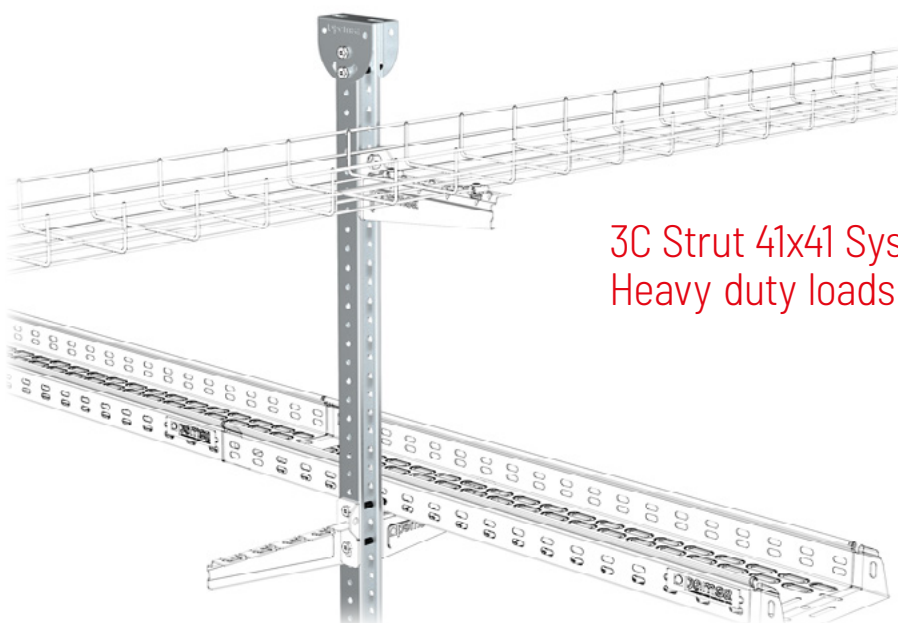
	M8x65	x2			56
---	-------	----	---	---	----





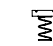
3C Strut 40x30 System.  
Medium & light duty loads



		x1			24
	M8x20	x1			56
	M6x30	x2			14

Versatile system. Wide installation options.

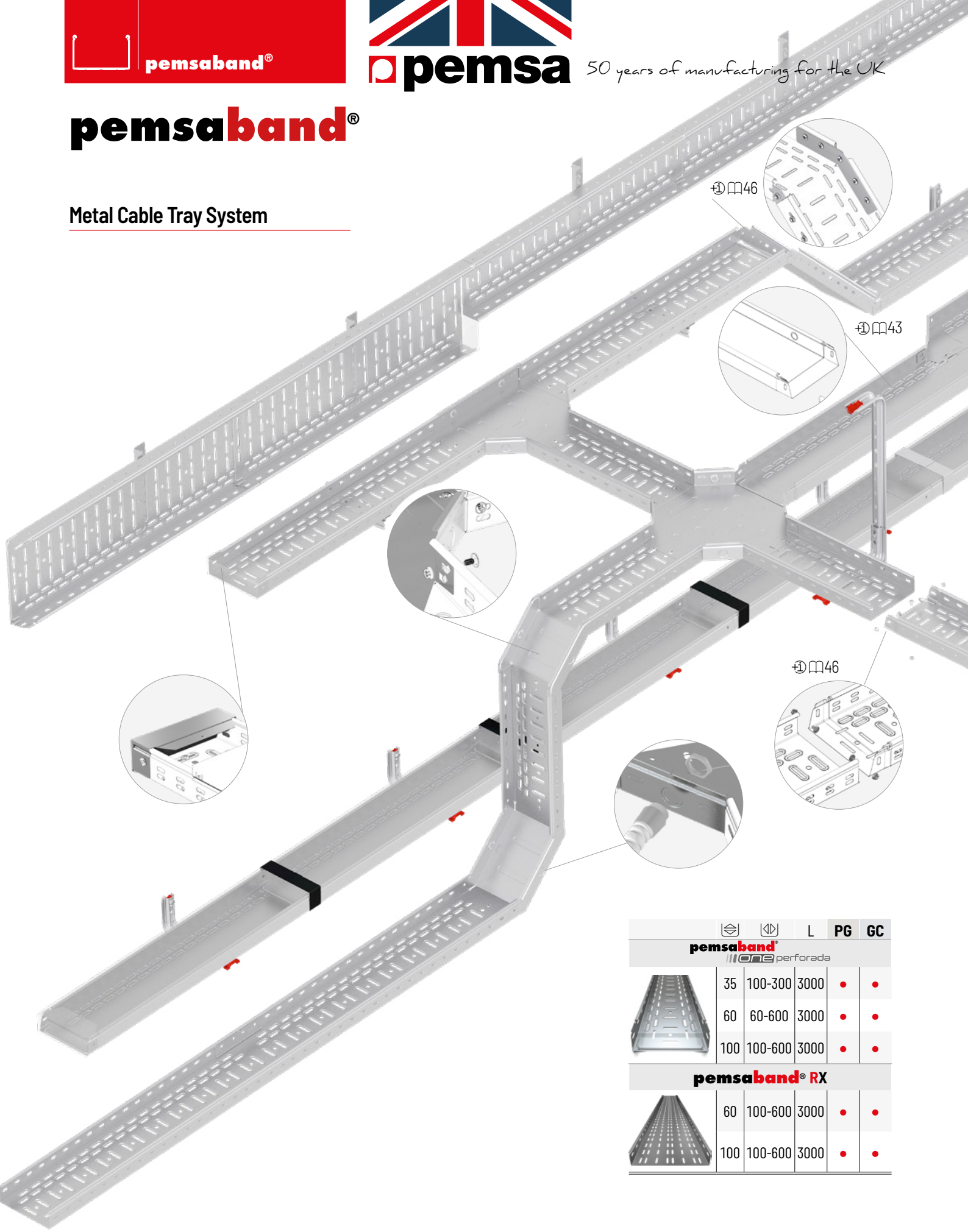


		x1			
	M10x35	x2			56
		x2			

3C Strut 41x41 System.  
Heavy duty loads

# pemsaband®

## Metal Cable Tray System



			L	PG	GC
<b>pemsaband®</b>					
	35	100-300	3000	•	•
	60	60-600	3000	•	•
	100	100-600	3000	•	•
<b>pemsaband® RX</b>					
	60	100-600	3000	•	•
	100	100-600	3000	•	•



50 years of manufacturing for the UK



pemsaband®

International Standards:



International standard of Cable trays



UL Certified



DIN 4102-12 Fire Resistance



AENOR N Mark IEC 61537



WEEE 2012/19/UE



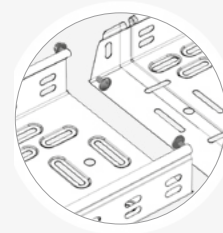
Retie approval



IQNET ISO 9001



Patented product



Click System



Universal System of Accessories

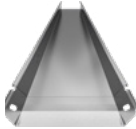


Click System on Cover

±48

±48

±48

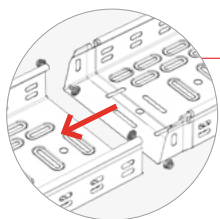
	⊗	⊠	L	PG	GC	304	316L
<b>pemsaband</b>							
one ciega							
	35	100-300	3000	•	•		
	60	60-600	3000	•	•	•	•
	100	100-600	3000	•	•		



# **pemsaband**<sup>®</sup> ||| **one**

## Perforated and solid cable trays

### Advantages and features



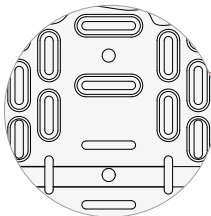
Quick Click Joint System



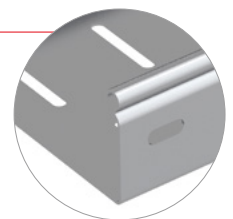
**PG** **GC** **AZ+** **PT** **304** **316L**

Wide range of protection systems

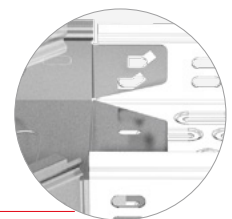
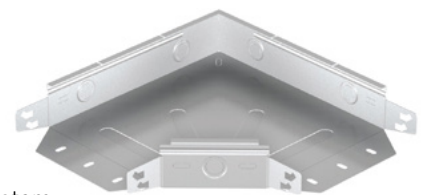
Perforated and embossed base increases the load capacity



Safety edge. Protects and strengthens the cable tray



Universal Click System on Accessories. Compatible with all cable trays



Building Tertiary



Renewable Energies



Tunnels Infrastructures



Processing Industry



Energy Power Stations



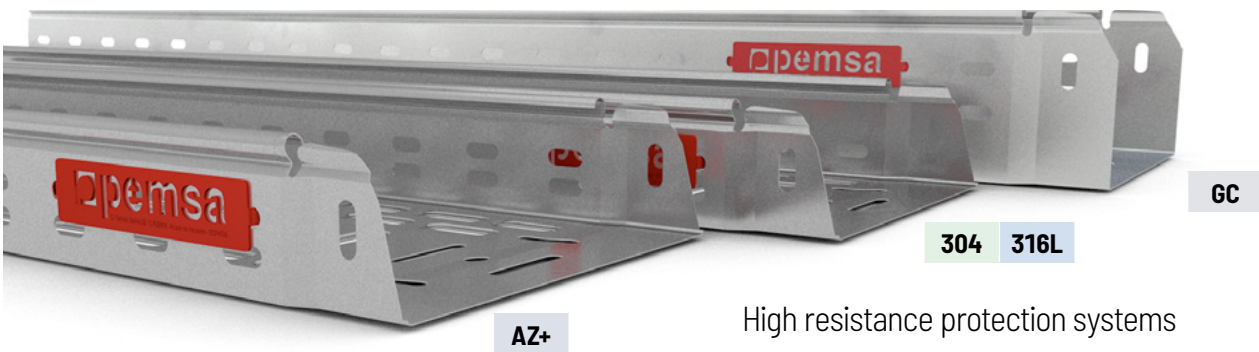
Water Treatment



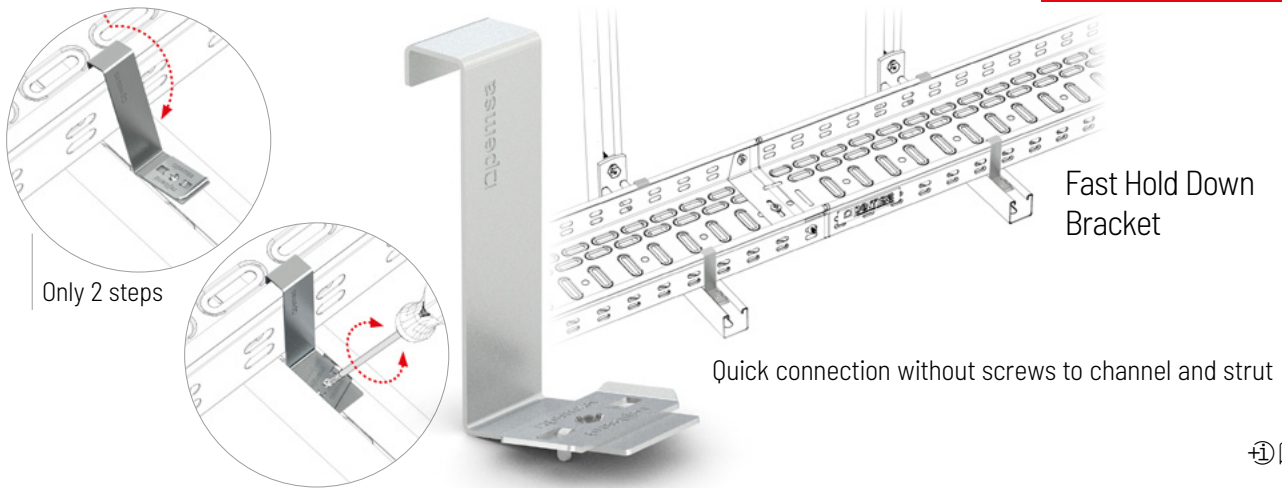
# News



Quick Click Joint System available in 100 mm height









High resistance protection systems



54

**PT** Polyester coating

Paint service on request, other RAL colours on demand.

RAL 9005	RAL 9010	RAL 7035	RAL 3024	RAL 1021	RAL 5012	RAL 2003
						





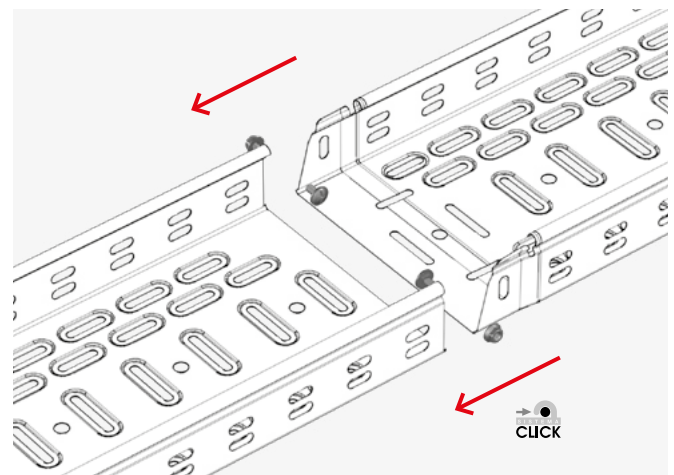
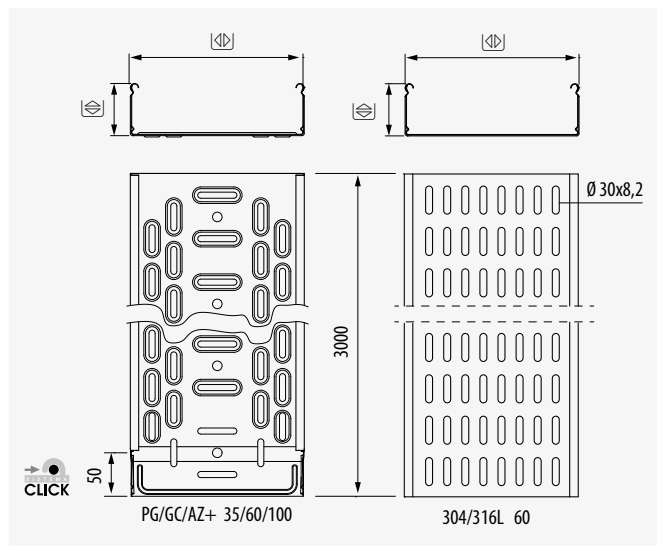
**Perforated Click System Cable Tray**

☒ 35, 60, 100 • ☒ 100-600 • ☒ 3000

ETIM: EC000047

☒	☒	PG	GC	AZ+	304*	316L*	kg/m PG	kg/m GC	kg/m AZ+	kg/m 304/316L	☒
35	100	75821100	75831100	-	-	-	0,691	0,867	-	-	24
	150	75821150	75831150	-	-	-	0,862	1,081	-	-	12
	200	75821200	75831200	-	-	-	1,241	1,507	-	-	12
	300	75821300	75831300	-	-	-	1,928	2,020	-	-	12
60	60	75822060	75832060	82003744	-	-	0,730	0,910	0,867	-	24
	100	75822100	75832100	82003745	76452100	76462100	0,885	1,109	1,050	0,906	24
	150	75822150	75832150	82003746	76452150	76462150	1,267	1,535	1,260	1,076	12
	200	75822200	75832200	82003747	76452200	76462200	1,473	1,789	1,470	1,235	12
	300	75822300	75832300	82003748	76452300	76462300	2,199	2,599	2,500	1,911	6
	400	75822400	75832400	82003749	76452400	76462400	2,691	3,197	3,070	2,335	6
	500	75822500	75832500	82003750	76452500	76462500	3,666	4,263	3,670	3,244	6
600	75822600	75832600	82003751	76452600	76462600	4,223	4,914	4,230	3,734	6	
100	100	75224100	75234100	-	-	-	1,416	1,739	-	-	12
	200	75224200	75234200	-	-	-	2,122	2,517	-	-	6
	300	75224300	75234300	-	-	-	2,612	3,098	-	-	6
	400	75224400	75234400	-	-	-	3,576	4,104	-	-	6
	500	75224500	75234500	-	-	-	4,118	4,790	-	-	6
	600	75224600	75234600	-	-	-	4,669	5,431	-	-	6
35-60-100	67010093	67030093	67030093	93950002	93960002	☒ + ☒ 46			+ ☒ 46	☒ 46	

\* Quick Click Joint System not available



50 years of manufacturing for the UK



ACC | pemsaband®



**Metal Solid Click Cable Tray**

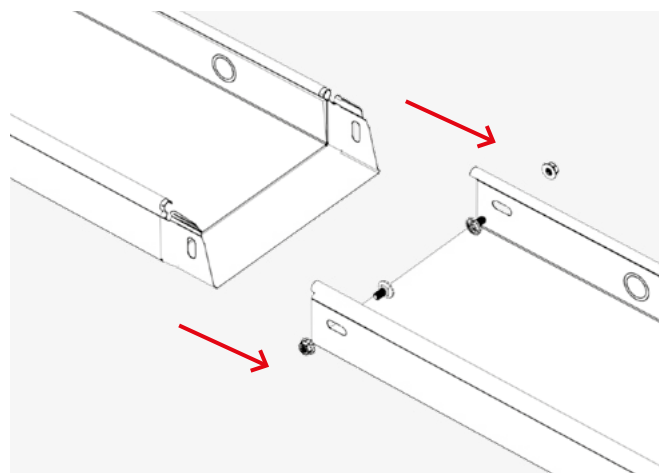
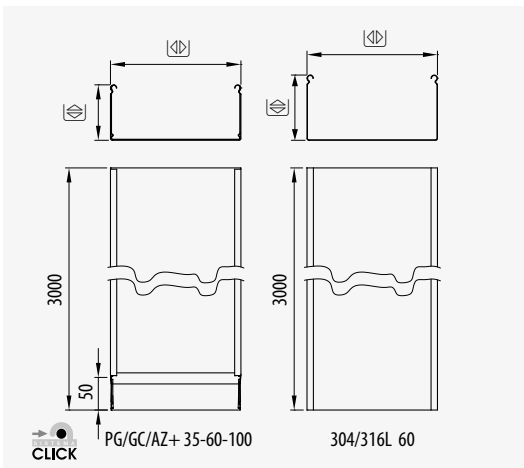
☒ 35, 60, 100 • ☒ 60-600 • ☒ 3000

ETIM: EC000047



☒	☒	PG	GC	AZ+	304*	316L*	kg/m PG	kg/m GC	kg/m AZ+	kg/m 304/316L	☒
35	100	75121100	75131100	-	-	-	0,702	0,885	-	-	24
	150	75121150	75131150	-	-	-	0,874	1,101	-	-	12
	200	75121200	75131200	-	-	-	1,262	1,536	-	-	12
	300	75121300	75131300	-	-	-	1,690	2,058	-	-	12
60	60	75122060	75132060	82003752	-	-	0,789	0,993	0,937	-	24
	100	75122100	75132100	82003753	76552100	76562100	0,901	1,135	1,120	0,949	24
	150	75122150	75132150	82003754	76552150	76562150	1,287	1,565	1,390	1,147	12
	200	75122200	75132200	82003755	76552200	76562200	1,500	1,826	1,620	1,345	12
	300	75122300	75132300	82003756	76552300	76562300	2,233	2,649	2,770	2,093	6
	400	75122400	75132400	82003757	76552400	76562400	2,741	3,252	3,400	2,572	6
	500	75122500	75132500	82003758	76552500	76562500	3,727	4,334	4,030	3,550	6
600	75122600	75132600	82003759	76552600	76562600	4,635	5,391	4,670	4,116	6	
100	100	75424100	75434100	-	-	-	1,504	1,828	-	-	12
	200	75424200	75434200	-	-	-	2,294	2,716	-	-	6
	300	75424300	75434300	-	-	-	2,843	3,366	-	-	6
	400	75424400	75434400	-	-	-	3,877	4,502	-	-	6
	500	75424500	75434500	-	-	-	4,505	5,231	-	-	6
	600	75424600	75434600	-	-	-	5,133	5,960	-	-	6
35-60-100	67010093	67030093	67030093	93950002	93960002	☒ + ☒ 46			+ ☒ 46	☒	

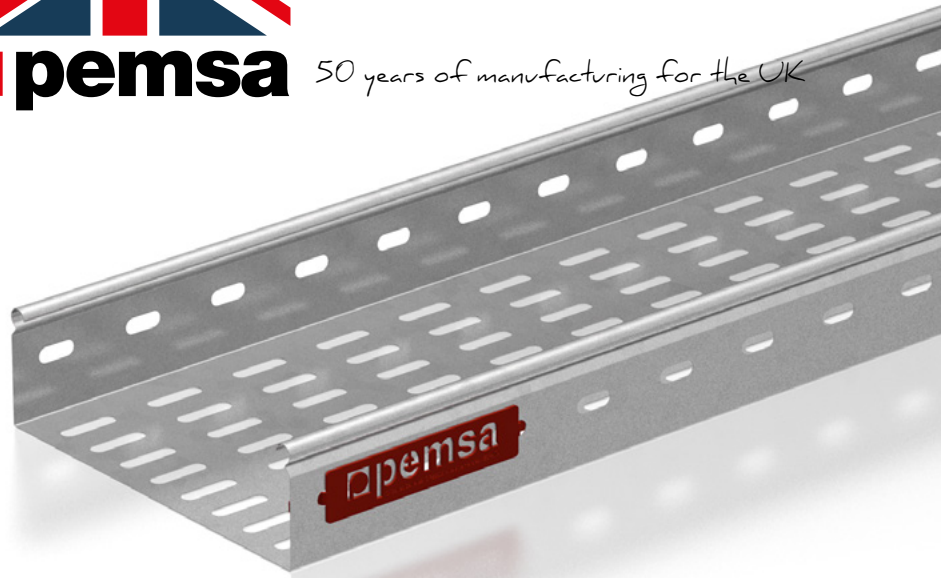
\* Quick Click Joint System not available




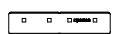


**pemsaband®**  
**((RX))**

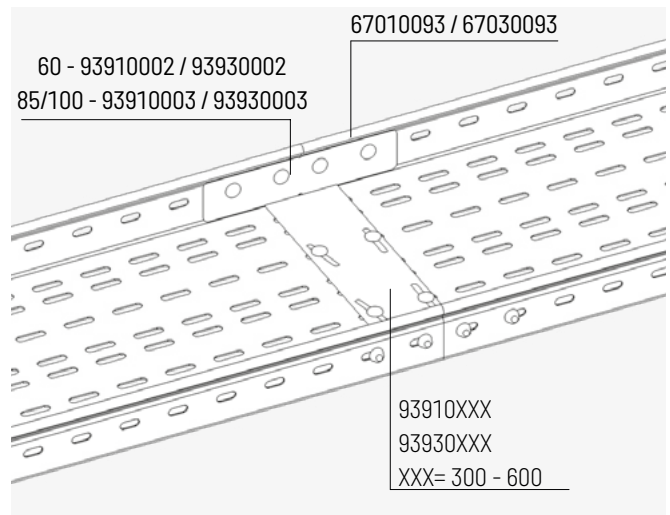
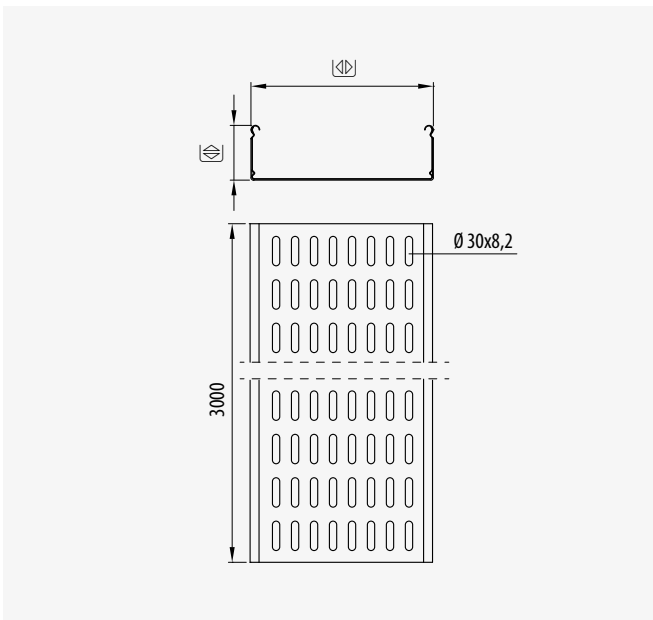
**Reinforced Perforated Cable Tray**

⊠ 60, 85, 100 • ⊠ 100-600 • ⊠ 3000



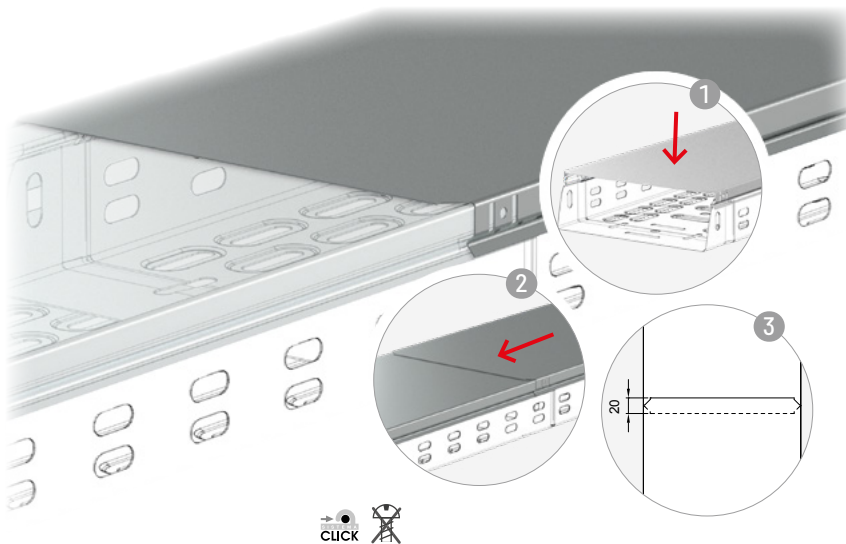
ETIM: EC000047

⊠	⊠	PG	GC	kg/m PG	kg/m GC	⊠
60	100	76122100	76132100	2,622	2,852	6
	200	76122200	76132200	3,538	3,857	6
	300	76122300	76132300	4,646	5,057	6
	400	76122400	76132400	5,690	6,193	3
	500	76122500	76132500	6,787	7,395	3
	600	76122600	76132600	7,889	8,589	3
100	100	76124100	76134100	3,490	3,796	6
	200	76124200	76134200	4,485	4,881	6
	300	76124300	76134300	5,519	6,007	6
	400	76124400	76134400	6,564	7,143	3
	500	76124500	76134500	7,644	8,328	3
	600	76124600	76134600	8,831	9,607	3
60	100-600	93910002 + 67010093	93930002 + 67030093	-	 +  ⊠ 46	
100	100-600	93910003 + 67010093	93930003 + 67030093	-		
60-100	300-600	93910XXX + 67010093	93930XXX + 67030093	-	 +  ⊠ 46	

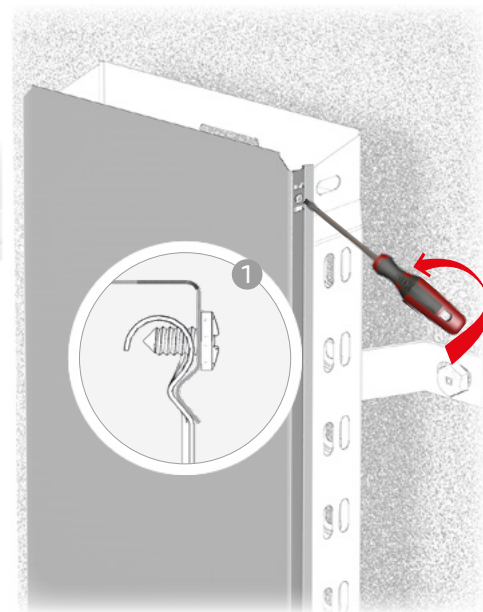




### Covers overlap. Improved Sealing



Click System. No fixings are required

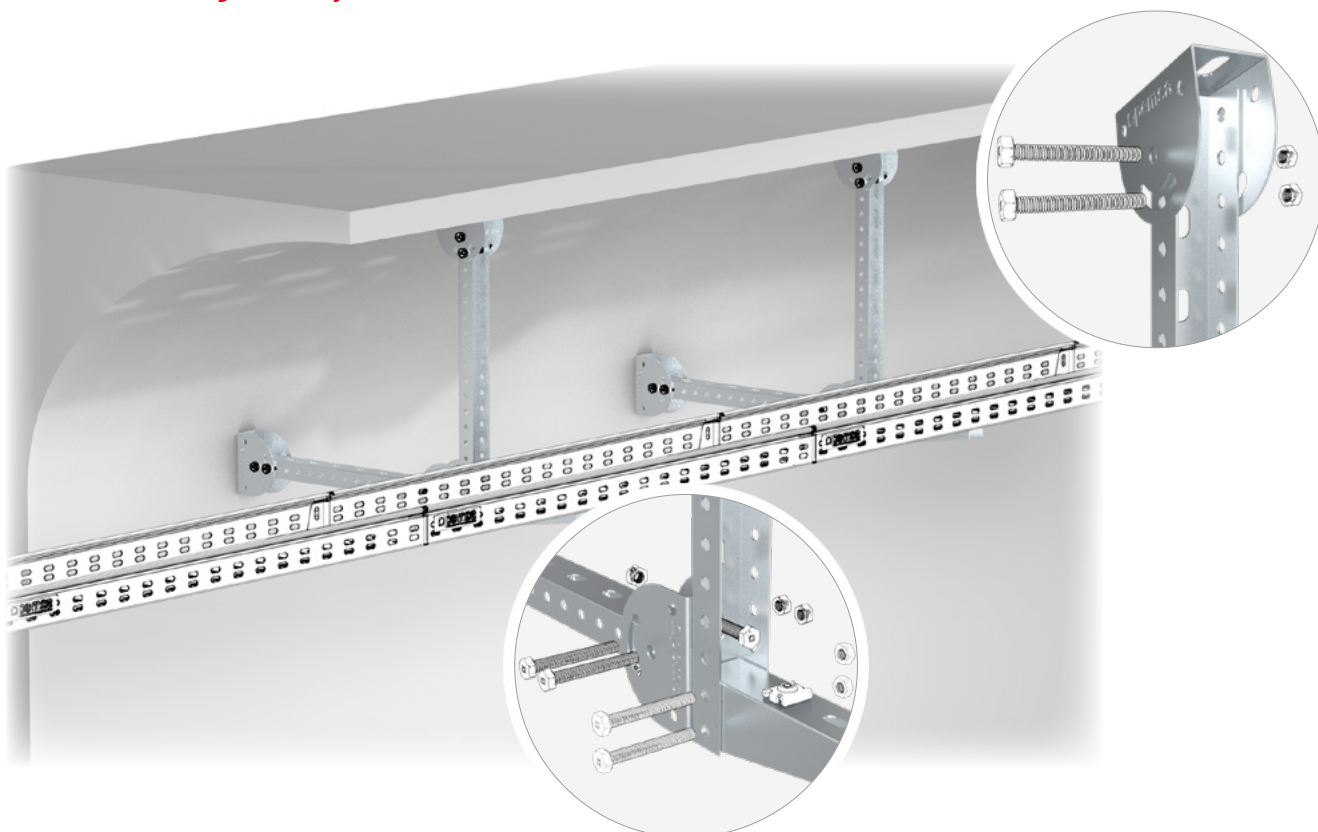


4,2x9,5

Safe vertical installation

### 3C Strut 40x30 System. Medium & light duty loads

M8x65 x2

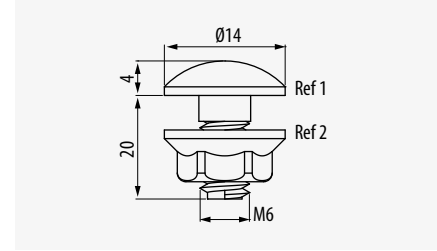


**pemsaband® Joint Kit**



□ • ⊕ 35-60-100 • ⊕ 60-600				
Ⓢ	M	Ref	kg/u	⊠
<b>EZ</b>	M6	67010093	0,008	100
<b>GC</b>	M6	67030093	0,009	100

ETIM: EC002935

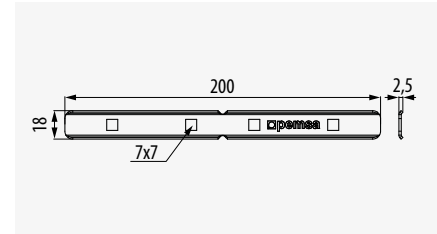


**pemsaband® Coupler**

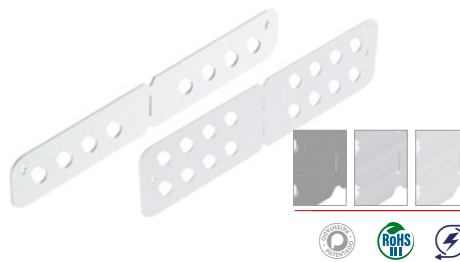


□ • ⊕ 35 • ⊕ 60-600				
Ⓢ	A	Ref	kg/u	⊠
<b>PG</b>	35	71021005	0,040	50
<b>GC</b>	35	71031005	0,043	50

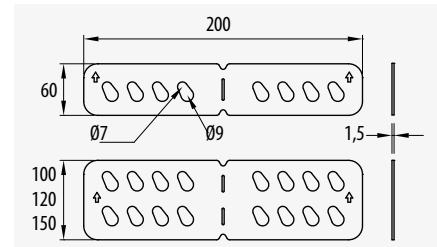
ETIM: EC002413



**pemsaband®/megaband® Coupler**

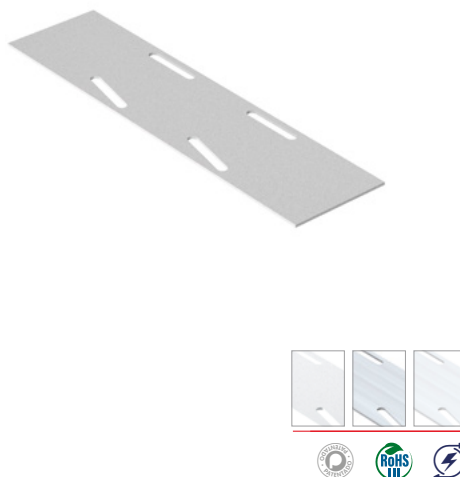


□ • ⊕ 60-150 • ⊕ 100-1000				
Ⓢ	A	Ref	kg/u	⊠
<b>PG</b>	60	93910002	0,076	50
	100	93910003	0,113	20
<b>GC</b>	60	93930002	0,078	50
	100	93930003	0,115	20
<b>304</b>	60	93950002	0,075	50
	100	93950003	0,112	20
<b>316L</b>	60	93960002	0,075	50
	100	93960003	0,112	20

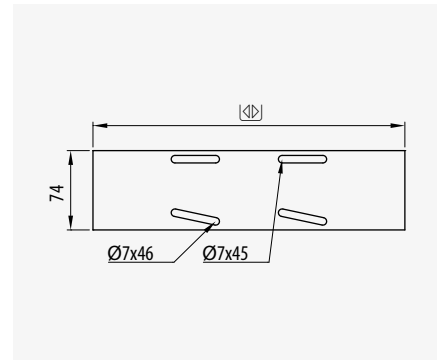


ETIM: EC002413

**pemsaband® Central Joiner**



□ • ⊕ 35-60-100 • ⊕ 300-600				
Ⓢ	⊠	Ref	kg/u	⊠
<b>PG</b>	300	71020300	0,371	10
	400	71020400	0,493	10
	500	71020500	0,615	10
	600	71020600	0,738	10
<b>GC</b>	300	71030300	0,390	10
	400	71030400	0,516	10
	500	71030500	0,645	10
	600	71030600	0,773	10
<b>304</b>	300	71050300	0,240	10
	400	71050400	0,323	10
	500	71050500	0,398	10
	600	71050600	0,480	10
<b>316L</b>	300	71160300	0,240	10
	400	71160400	0,323	10
	500	71160500	0,398	10
	600	71160600	0,480	10



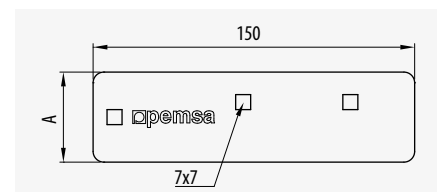
ETIM: EC002413



**pemsaband® Riser/Dropper**

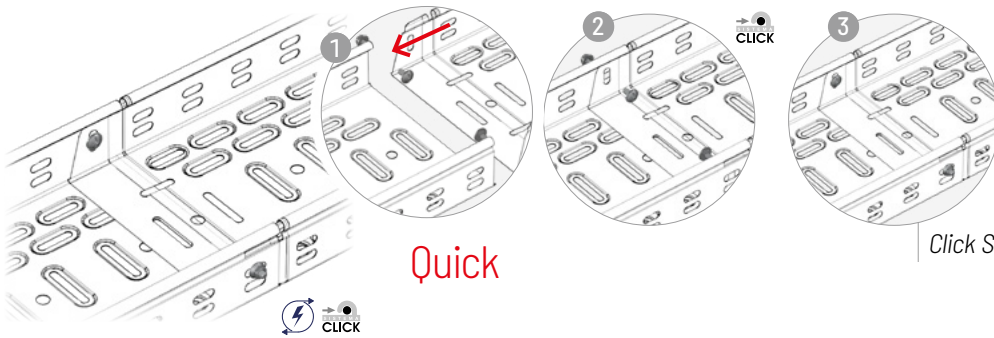


□ • ⊕ 35-60-100 • ⊕ 60-600				
Ⓢ	A	Ref	kg/u	⊠
<b>PG</b>	35	71021006	0,028	4
	60	71022006	0,073	4
<b>GC</b>	35	71031006	0,031	4
	60	71032006	0,079	4
<b>304</b>	60	93950012	0,057	8
<b>316L</b>	60	93960012	0,057	8





ETIM: EC002413

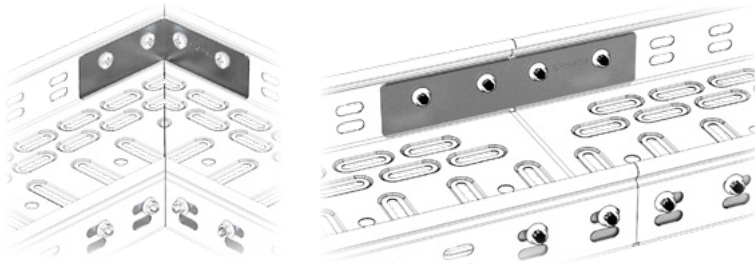





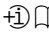

Quick

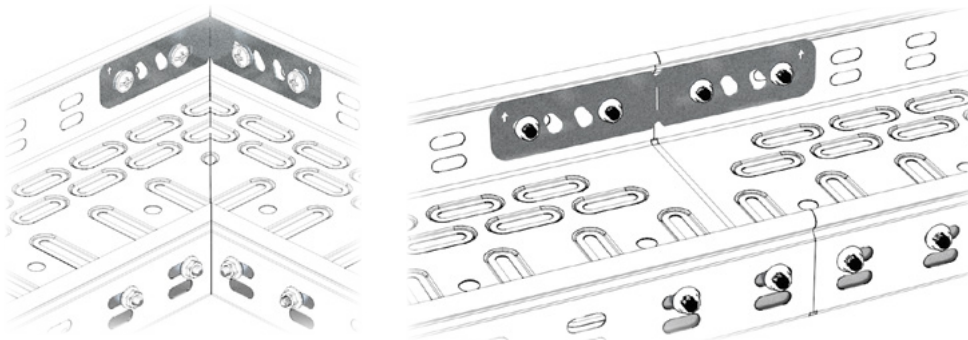
	
60-200	2
300-400	2+1
500-600	2+2



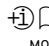
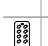
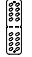
Click System. Quick Assembly



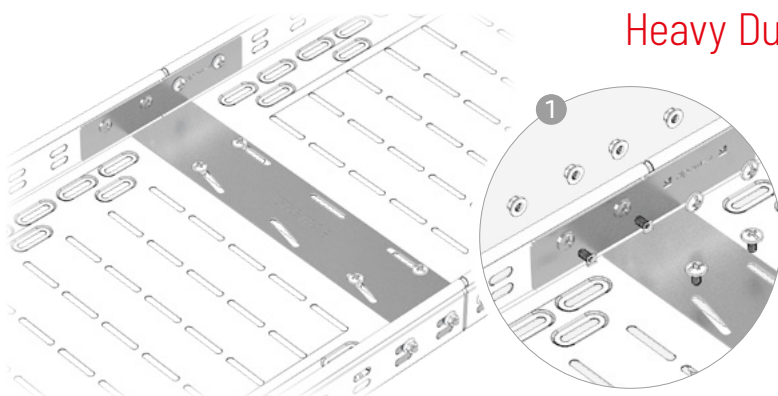
Increased resistance

	x 2		46
	x 8		

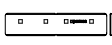
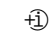
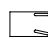



	x 2		60		46
	x 4	100	M8x20		
	x 1				

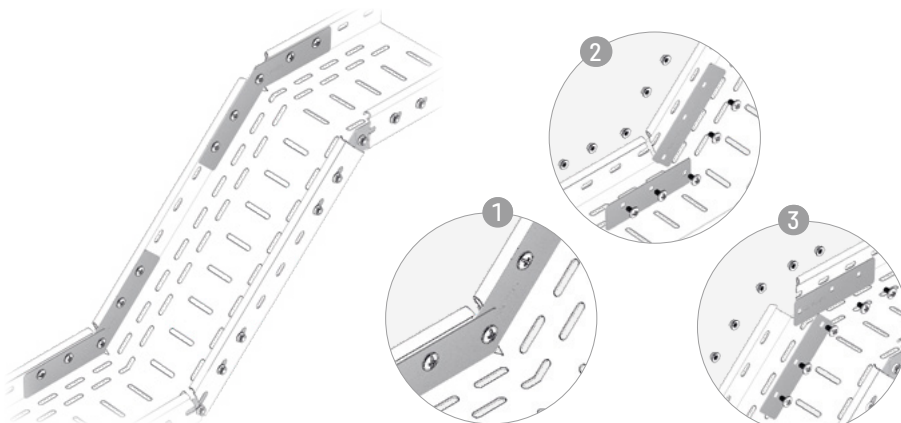
Only one coupler!



Heavy Duty

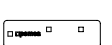
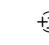

	x 2		46
	x 1		
	x 12		

Suitable for:  300-600

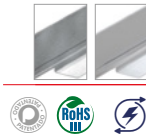


Adjustable angle

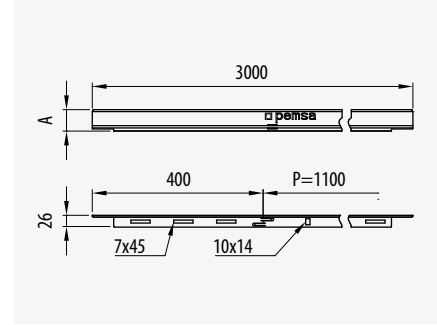
15°-30°-45°-60°-90°

	x 2		46
	x 10		

Click Divider

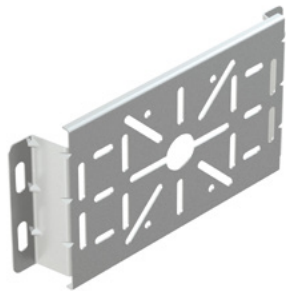


□ • ⊕ 35-60-100 • ⊕ 60-600					
Ⓢ	A	⊕	Ref	kg/m	⊞
<b>PG</b>	25	35	67020610	0,212	60
	50	60	67020611	0,312	48
	80	85/100	67020612	0,444	36
<b>GC</b>	25	35	67030610	0,261	60
	50	60	67030611	0,384	48
	80	85/100	67030612	0,541	36
<b>AZ+</b>	50	60	81000312	0,284	48
<b>304</b>	25	35	67050610	0,207	60
	50	60	67050611	0,305	48
	80	85/100	67050612	0,430	36
<b>316L</b>	25	35	67060610	0,207	60
	50	60	67060611	0,305	48
	80	85/100	67060612	0,430	36



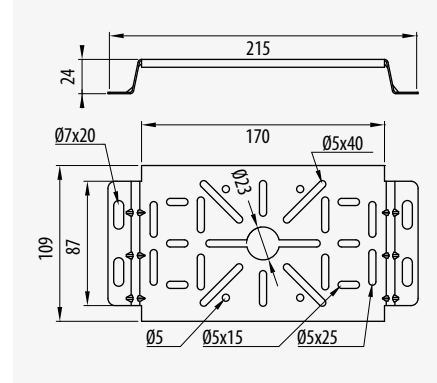
ETIM: EC001000

pemsaband® Universal Bracket



□ • ⊕ 35-60-100 • ⊕ 60-600			
Ⓢ	Ref	kg/u	⊞
<b>PG</b>	70420911	0,179	10
<b>GC</b>	70430911	0,197	10

ETIM: EC000022



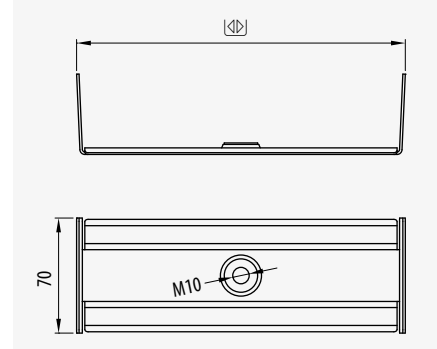
pemsaband® Inside Hanging Plate



□ • ⊕ 60 • ⊕ 100-400				
Ⓢ	⊕	Ref	kg/u	⊞
<b>EZ</b>	100	70122210	0,157	10
	150	70122215	0,198	10
	200	70122220	0,239	10
	300	70122230	0,321	10
	400	70122240	0,404	10
<b>GC</b>	100	70132210	0,167	10
	150	70132215	0,211	10
	200	70132220	0,255	10
	300	70132230	0,342	10
	400	70132240	0,431	10

ETIM: EC001003

A	↓ CTA ↓ (kg)	A	↓ CTA ↓ (kg)
100	40	200	27
150	35	300	20

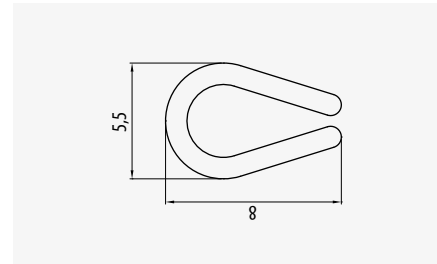


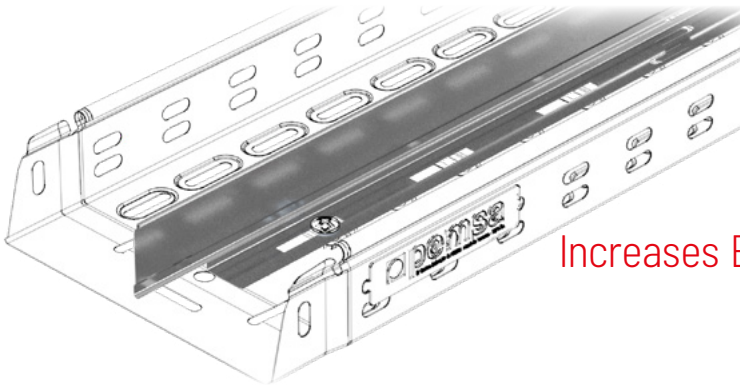
pemsaband® Profile Protector





□ • ⊕ 35-60-100 • ⊕ 60-600		
Ref	kg/u	⊞
71000000	0,032	25

ETIM: EC002935



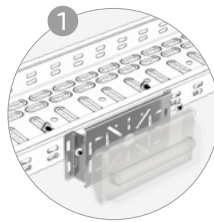
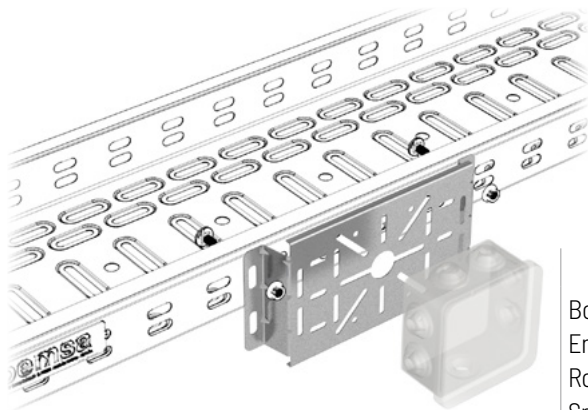


 x1 x m  46



Easy cable management

Increases EMC

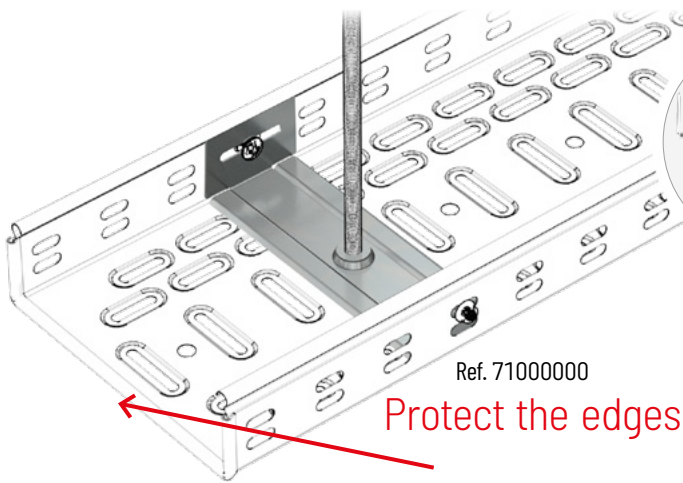
 070



Boxes  
Emergency Lighting  
Routers  
Speakers

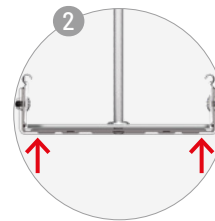
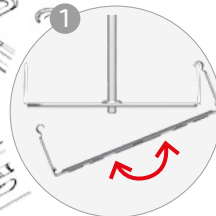
 x 2  46


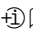
Versatile.  
Multiple applications



Ref. 71000000

Protect the edges

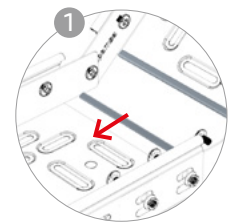
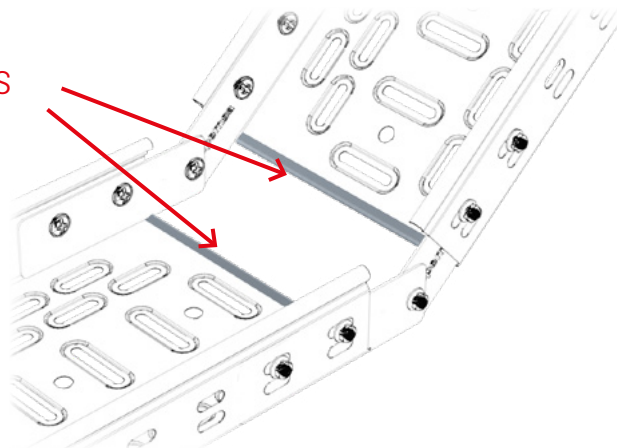


 x 2  46

Hidden System.  
The support is installed  
inside the cable tray

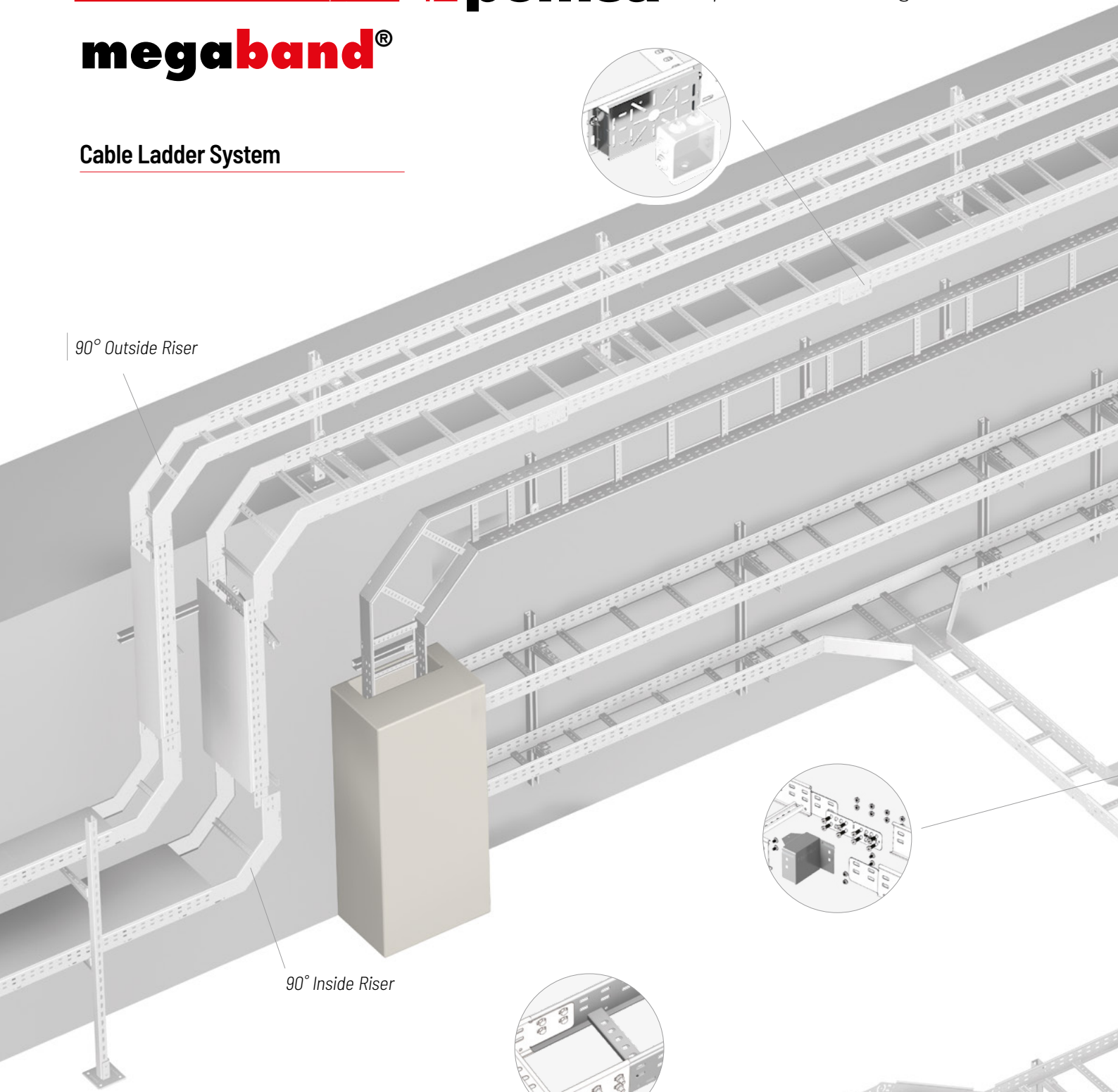
Ref. 71000000

Protect the edges



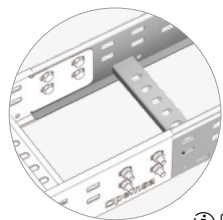
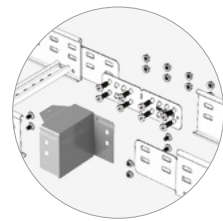
# megaband®

## Cable Ladder System



90° Outside Riser

90° Inside Riser



± 0.56

Articulated Riser Section

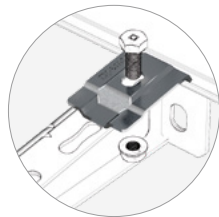
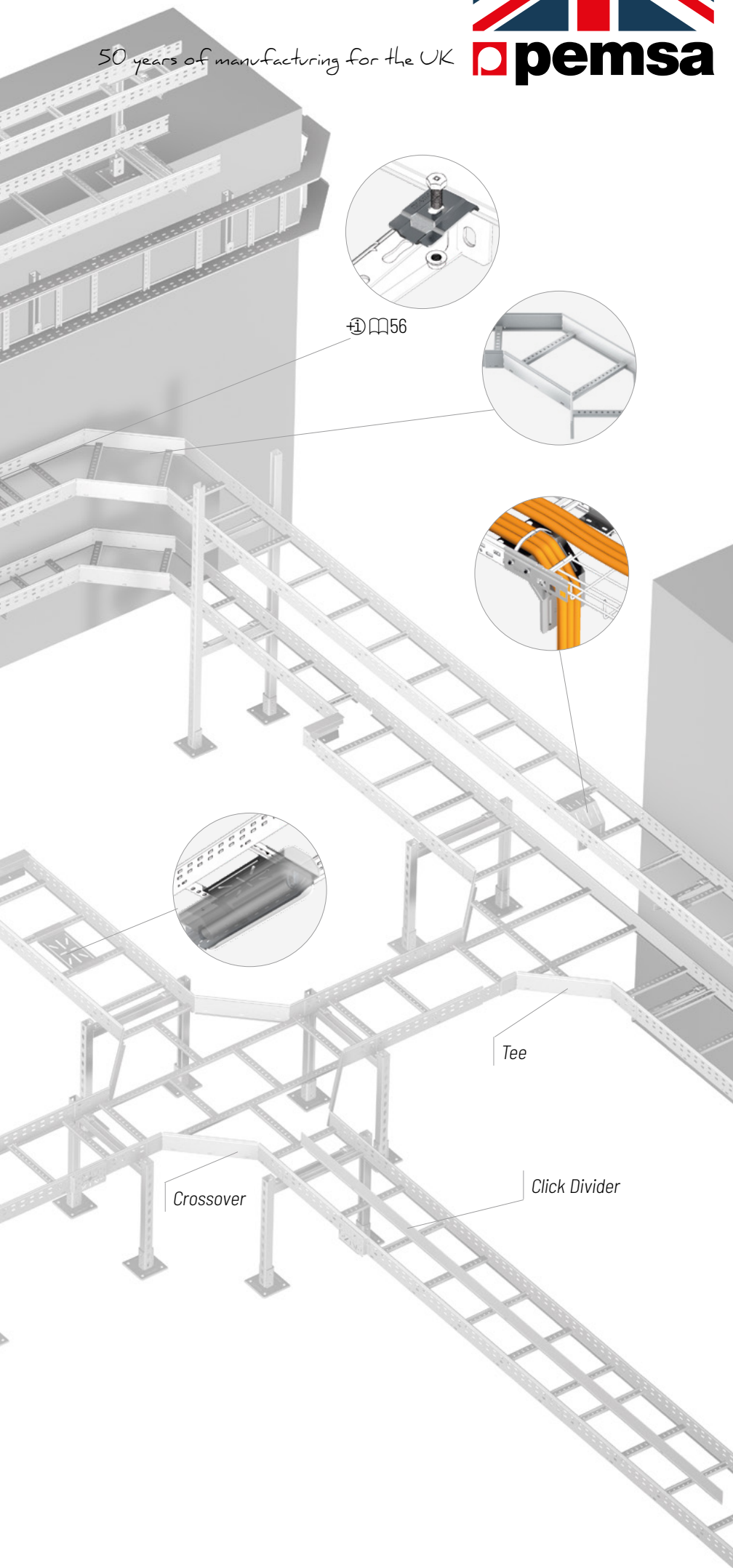
megaband®	⊞	⊞	L	PG	GC	304	316L
	60	100-1000	3000	•	•	•	•
	100	100-1000	3000	•	•	•	•
	120	100-1000	3000	•	•	•	•
	150	100-1000	3000	•	•		
	60	100-1000	6000		•		
	100	100-1000	6000		•		
	120	100-1000	6000		•		

50 years of manufacturing for the UK

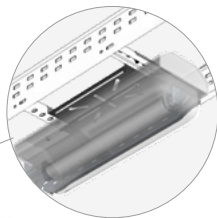
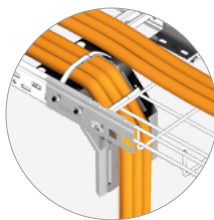
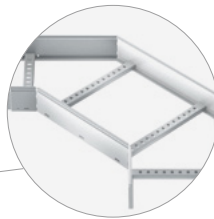


ACC

megaband®



56



Tee

Crossover

Click Divider

### International Standards:



International standard of Cable trays



Nema VE-1 Standard



DIN 4102-12 Fire Resistance



AENOR N Mark IEC 61537



WEEE 2012/19/UE



ISO 9001 IQNET



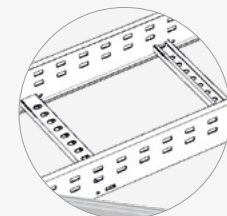
Patented product



London Underground



Quick Click Joint System



Alternate reversed rungs



Safety edge



# megaband<sup>®</sup>

## Cable ladder for industrial applications

### Advantages and features

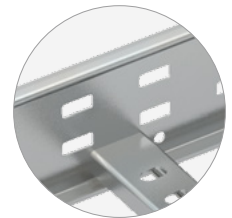


Quick Click Joint System

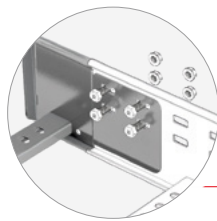


PG GC 304 316L

Wide range of finishes and coatings



Quick Click Joint System on lengths & accessories



Safety edge. Protects and strengthens the cable ladder



Processing Industry



Food Industry



Building Tertiary



Petrochemical Industry



Offshore, Ports



Marine Industry



IT/Data Centers



Water Treatment



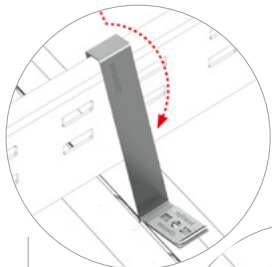
IT/Data Centers



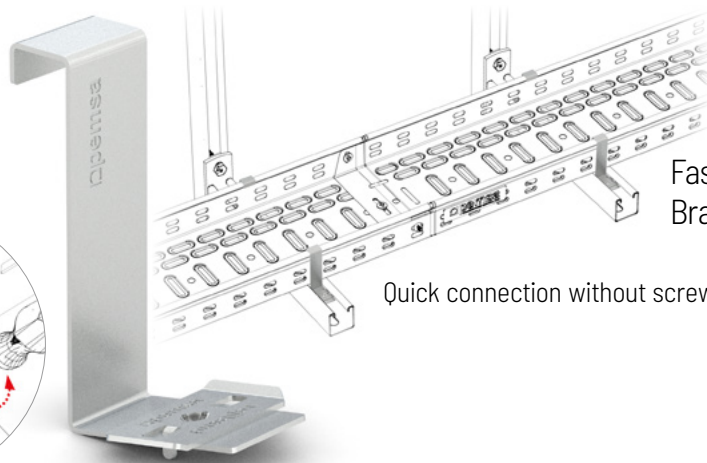
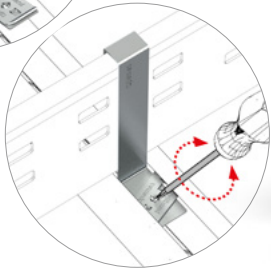
Renewable Energies



News



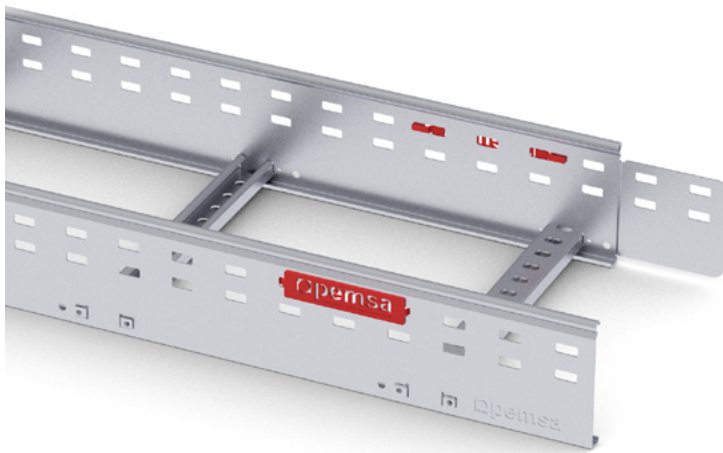
Only 2 steps



Fast Hold Down Bracket

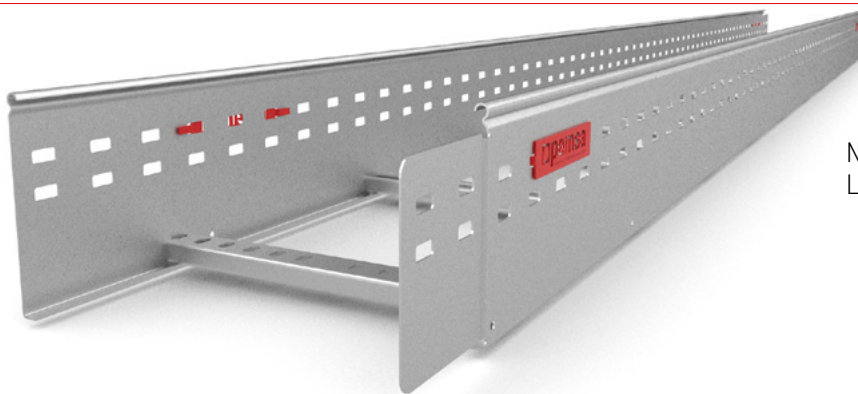
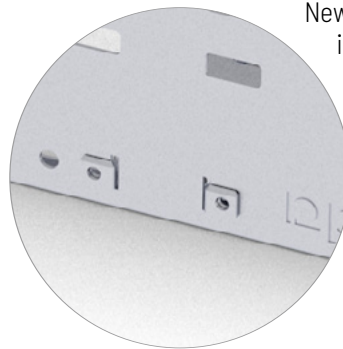
Quick connection without screws to channel and strut

① 56



**megaband® PG**

Pre-Galvanised.  
New finish for inside installations



**megaband®**

**150**

New height.  
Load capacity increased

① 55



**megaband®**

INOX - Stainless Steel

High Resistance

# megaband®


60 100

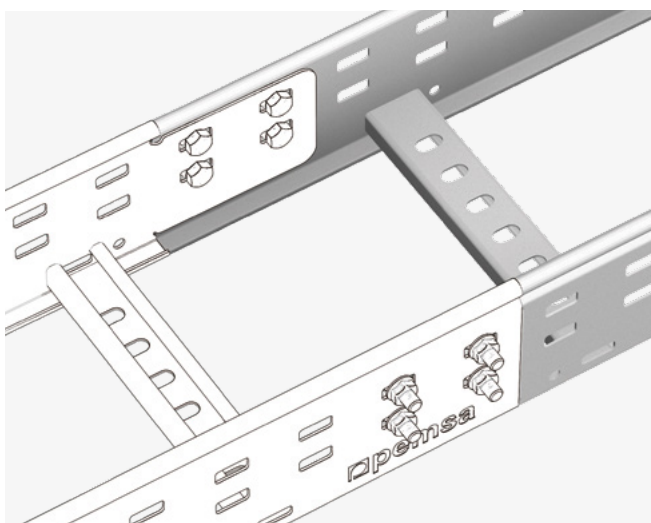
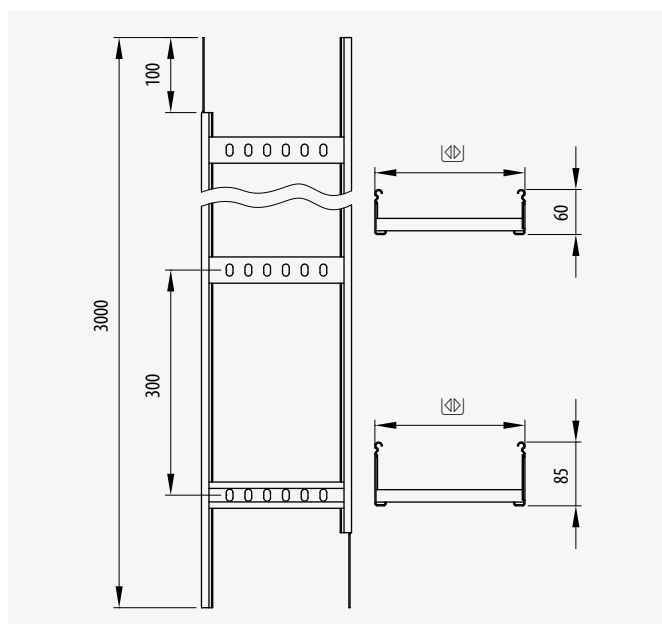
## Medium duty cable ladder

⊞ 60, 100 • ⊞ 100-900 • ⊞ 3000



ETIM: EC000854

⊞	⊞	PG	GC	304	316L	kg/m	⊞
60	100	92012100	92032100	92052100	92062100	2,336	3
	150	92012150	92032150	92052150	92062150	2,484	3
	200	92012200	92032200	92052200	92062200	2,636	3
	300	92012300	92032300	92052300	92062300	2,935	3
	400	92012400	92032400	92052400	92062400	3,234	3
	450	92012450	92032450	92052450	92062450	3,385	3
	500	92012500	92032500	92052500	92062500	4,144	3
	600	92012600	92032600	92052600	92062600	4,443	3
100	100	92014100	92034100	92054100	92064100	3,287	3
	150	92014150	92034150	92054150	92064150	3,435	3
	200	92014200	92034200	92054200	92064200	3,586	3
	300	92014300	92034300	92054300	92064300	3,885	3
	400	92014400	92034400	92054400	92064400	4,184	3
	450	92014450	92034450	92054450	92064450	4,336	3
	500	92014500	92034500	92054500	92064500	5,285	3
	600	92014600	92034600	92054600	92064600	5,584	3
	750	92014750	92034750	92054750	92064750	6,714	3
900	92014900	92034900	92054900	92064900	7,298	3	
Kit megaband® 		67010065 + 67020095	67030094	67060065 + 67060062	67060065 + 67060062	⊞ 56	





50 years of manufacturing for the UK



ACC

megaband®



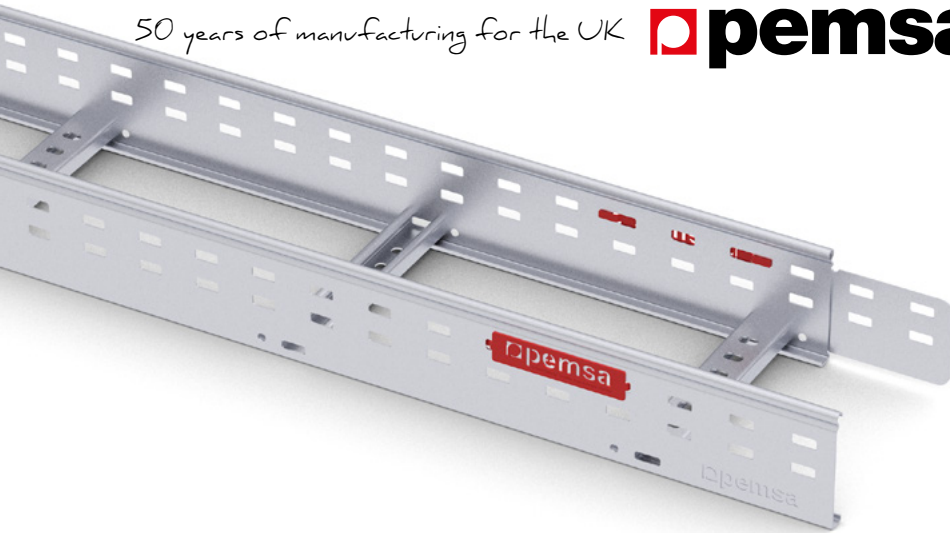
**megaband®**

120 150

**Heavy duty cable ladder**

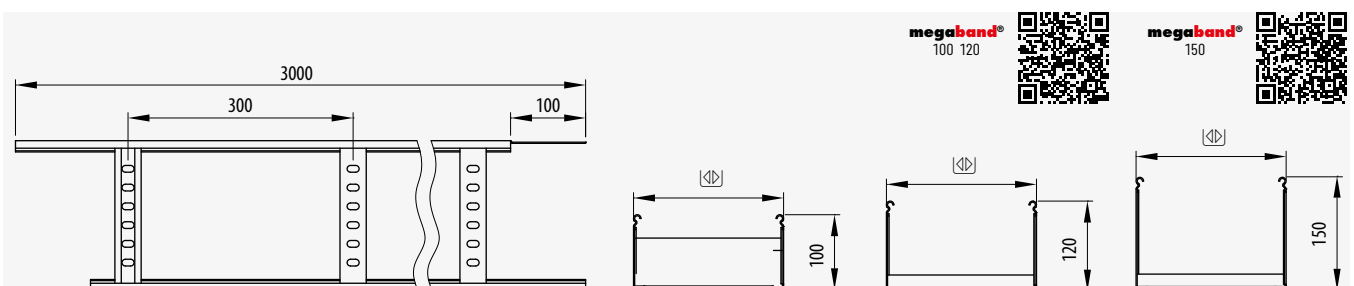
☒ 120, 150 • ☒ 100-900 • ☒ 3000

ETIM: EC000854



☒	☒	PG	GC	304 ☒	316L ☒	kg/m	☒
120	100	92015100	92035100	92055100	92065100	3,806	3
	150	92015150	92035150	92055150	92065150	3,954	3
	200	92015200	92035200	92055200	92065200	4,105	3
	300	92015300	92035300	92055300	92065300	4,405	3
	400	92015400	92035400	92055400	92065400	4,704	3
	450	92015450	92035450	92055450	92065450	4,855	3
	500	92015500	92035500	92055500	92065500	5,962	3
	600	92015600	92035600	92055600	92065600	6,261	3
	750	92015750	92035750	92055750	92065750	7,391	3
900	92015900	92035900	92055900	92065900	7,975	3	
150	100	92016100	92036100	-	-	4,568	3
	150	92016150	92036150	-	-	4,720	3
	200	92016200	92036200	-	-	4,874	3
	300	92016300	92036300	-	-	5,179	3
	400	92016400	92036400	-	-	5,499	3
	450	92016450	92036450	-	-	5,650	3
	500	92016500	92036500	-	-	7,066	3
	600	92016600	92036600	-	-	7,372	3
	750	92016750	92036750	-	-	8,421	3
900	92016900	92036900	-	-	8,998	3	
Kit <b>megaband®</b> ☒ ☒		67010065 + 67020095	67030094	67060065 + 67060062	67060065 + 67060062	☒ ☒ 56	

☒ On request





megaband®

ACC

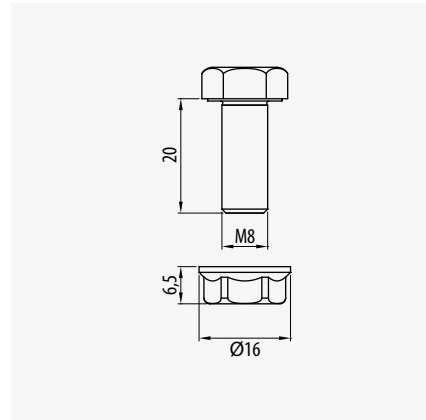


50 years of manufacturing for the UK

### Joint Kit



┌ ┐ • ┌ ◻ ┐ 60-150 • ┌ ◻ ┐ 100-1000				
<b>GC</b>	M8x20+M8	67030094	0,018	100
┌ ┐ • ┌ ◻ ┐ 60-150 • ┌ ◻ ┐ 100-600				
Ⓢ		Ref 1	Ref 2	📦
<b>EZ</b>	M8x20+M8	67010065	67020095	100
<b>316L</b>	M8x20+M8	67060065	67060062	100

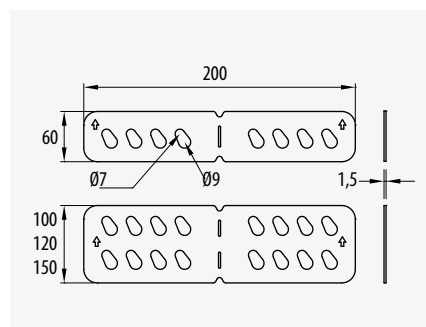


### Coupler



┌ ┐ • ┌ ◻ ┐ 60-150 • ┌ ◻ ┐ 100-1000				
Ⓢ	A	Ref	kg/u	📦
<b>PG</b>	60	93910002	0,076	50
	100-150	93910003	0,113	20
<b>GC</b>	60	93930002	0,078	50
	100-150	93930003	0,115	20
<b>304</b>	60	93950002	0,075	50
	100-150	93950003	0,112	20
<b>316L</b>	60	93960002	0,075	50
	100-150	93960003	0,112	20

ETIM: EC002413

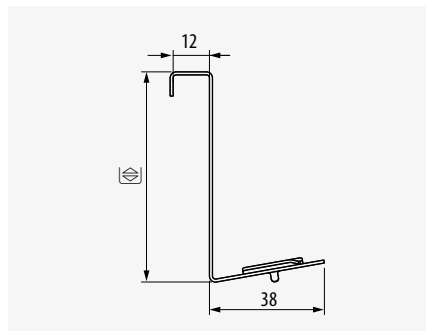


### Fast Hold Down Bracket **megaband**®



┌ ┐ • ┌ ◻ ┐ 60 • ┌ ◻ ┐ 100-150				
Ⓢ	A	Ref	kg/u	📦
<b>GC</b>	35	81000253	0,019	10
	60	81000254	0,023	10
	100	81000256	0,029	10

ETIM: EC001005

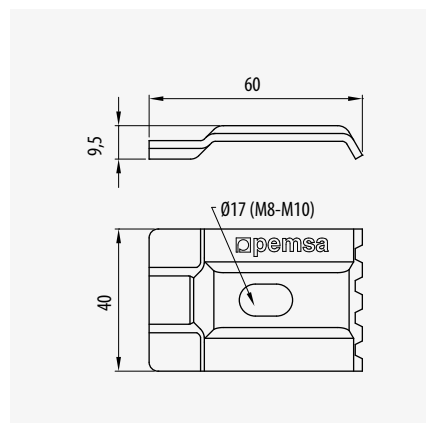


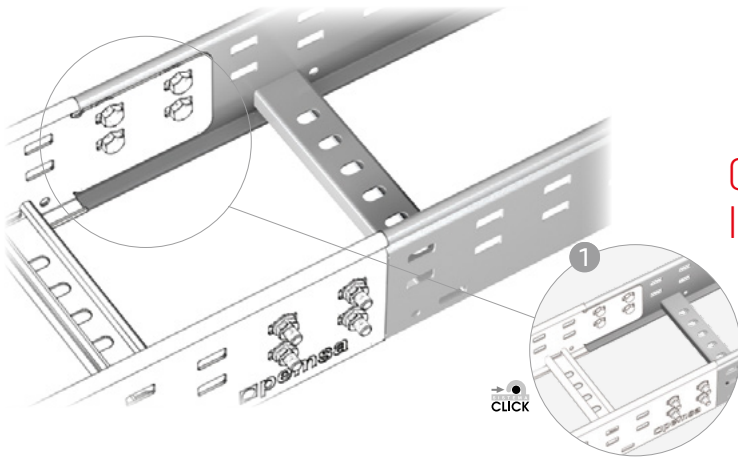
### Hold Down Clamp




┌ ┐ • ┌ ◻ ┐ 60-150 • ┌ ◻ ┐ 100-1000			
Ⓢ	Ref	kg/u	📦
<b>PG</b>	93910021	0,043	50
<b>GC</b>	93930021	0,044	50
<b>304</b>	93950021	0,043	50
<b>316L</b>	93960021	0,043	50

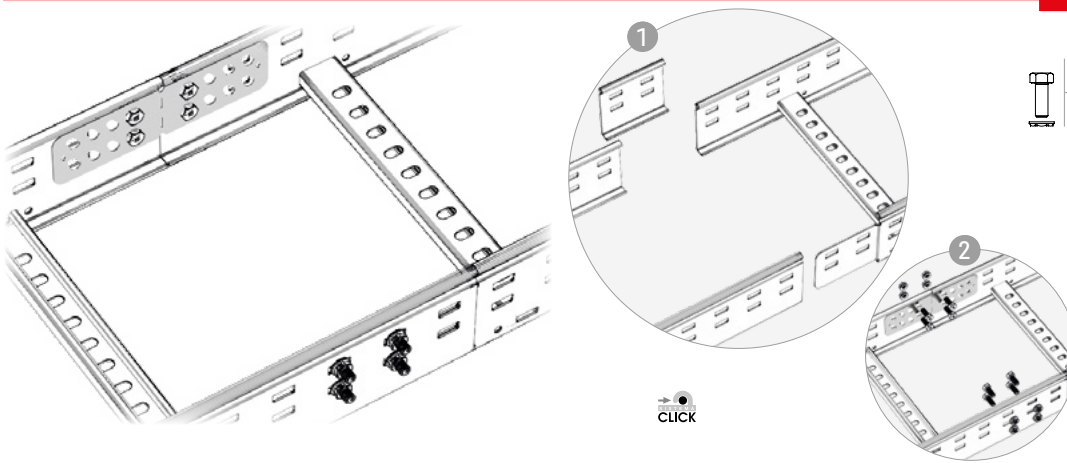
ETIM: EC000482


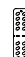




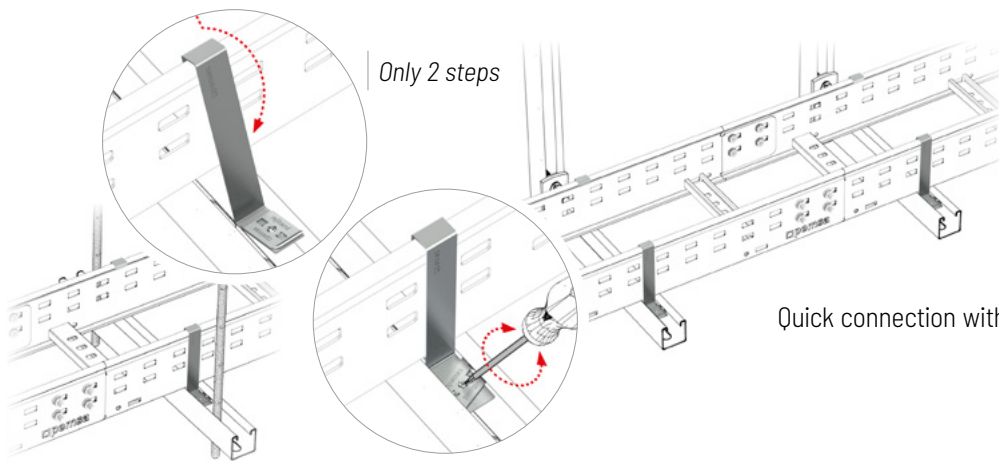
	x4	60	56 M8x20
	x8	85 / 100 / 120	

Click System. Time and Cost Savings.  
Increases the Load Capacity.



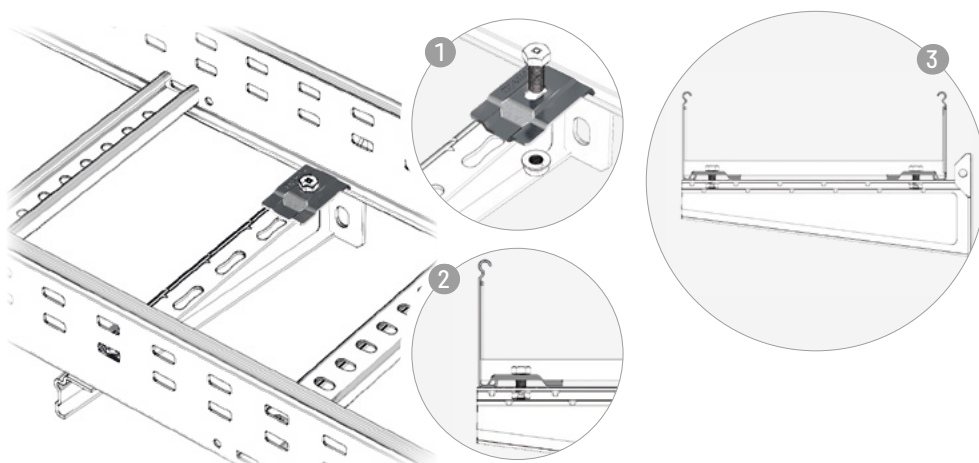
	x2	60	56 M8x20
	x4	85 / 100 / 120	
	x		
	1		


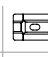

Only one Joint



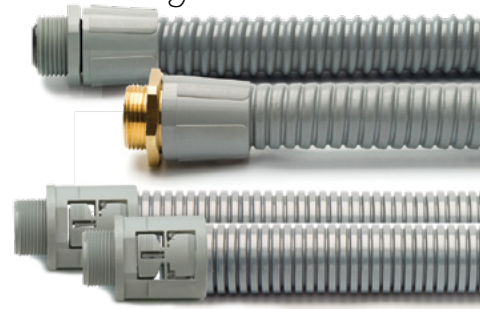
Fast Hold Down Bracket

Quick connection without screws to channel and strut












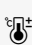

























			56 M8x20
200-600	2	2	

Improved fixing.  
Increased loads














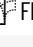



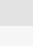



















## Pemsa Conduit System. Selection guide

Designation Conduit	Pemsa Plastic 7035 System					Pemsa Metal Rigid					
	RLH	RPVC	TM-PVC 7035	CLH	TFA 7035	RL / RLGC	RR / RRG	RAL	RINOX		
											
Features											
	LH	PVC	PG	LH	PVC	EZ	GC	EZ	GC	Aluminium	304
			PVC		PVC						
DN/SW min.	DN16	DN16	DN7	DN16	DN7	DN16	DN16	DN16	DN16	DN16	DN20
DN /SW max.	DN63	DN63	DN48	DN63	DN48	DN63	DN63	DN63	DN63	DN63	DN50
	-15°C +90°C	-15°C +90°C	-5°C +60°C	-15°C +90°C	-5°C +60°C	-45°C +400°C	-45°C +400°C	-45°C +400°C	-45°C +400°C	-45°C +250°C	-45°C +250°C
	High		Medium	High	Medium	Very High					
	Rigid			Medium		Rigid					
	OK according to IEC 60754-1			OK according to IEC 60754-1		OK	OK	OK	OK	OK	OK
	OK	OK	OK	OK	OK	OK	OK	OK	OK	OK	OK
	IP54	IP54	IP54	IP54	IP40 / IP65	IP54	IP54	IP54	IP54	IP54	IP54
	4432	4432	4421	2332	2421	5557	5557	5557	5557	4456	4456
Approvals											
											
Applications											
	Tertiary	●	●	●	●	●	●	●	●	●	●
	Tunnels	●	●	●	●	●	●	●	●	●	●
	Data Center	●	●	●	●	●	●	●	●	●	●
	Photovoltaic/ Energy	●	●	●	●	●	●	●	●	●	●
	Food Industry	●	●	●	●	●	●	●	●	●	●
	Petrochemical Industry	●	●	●	●	●	●	●	●	●	●
	Railway app.	●	●	●	●	●	●	●	●	●	●



## Pemsa Conduit System. Selection guide

Pemsa Flexible Metal & Plastic				Pemsaflex /Polyamide System					Designation Conduit
TFA	TM	TM-PVC	ECOFLEX	LG-PA	ST-PA	RB-PA	RB-PU	MACRO FLEX	
									
Features									
PVC	PG	PG	PG	Polyamide/ PA6	Polyamide/ PA6	Polyamide/ PA12	Polyurethane/ PU	Polyamide/ PA6	
PVC		PVC	PVC						
07	07	07	07	07	07	07	17	52	DN/SW min.
48	48	48	48	48	48	70	70	90	DN /SW max.
-5°C	-45°C	-5°C	-5°C	-40°C	-40°C	-50°C	-50°C	-40°C	
+60°C	+150°C	+60°C	+60°C	+105°C	+105°C	+105°C	+90°C	+105°C	
Medium	Very High	Medium		High	Very High				
High			High		Very High				
	OK			OK	OK	OK	OK	OK	
OK	OK	OK	OK	OK	OK	OK	OK	OK	
IP40 / IP65	IP40	IP65	IP65	IP54 / IP67	IP54 / IP67	IP54 / IP67	IP54 / IP67	IP54 / IP67	
2421	4455	4421	3421	2443	2443	2422	1532	2443	
Approvals									
									
Applications									
•	•	•	•	•	•			•	
•	•	•	•	•	•				
		•	•	•	•	•	•	•	
•				•	•	•	•	•	
				•	•				
		•	•	•	•			•	
•	•	•	•	•	•	•	•	•	

Projects



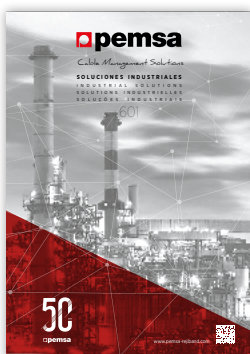


### Product Catalogues

#### General Catalogue



#### Industrial Solutions



#### Industry Solutions Guide



#### Black BK8® Protection System



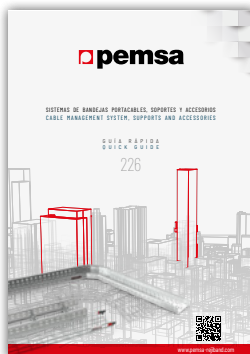
#### SafeCu



#### Solar Totem



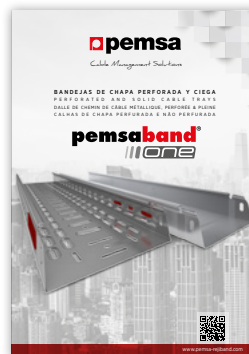
#### Quick guide



#### Installation Guide



#### Pemsaband One



#### Data Centers





Contact



50 years of manufacturing for the UK

## Pemsa Cable Management, S.A.



C/ Galileo Galilei 22 - 24. P.E. La Garena  
28806, Alcalá de Henares. Madrid. España  
Tel.: +34 91 802 34 88  
info@pemsa-rejiband.com  
www.pemsa-rejiband.com

### Customer Service

Tel.: +34 91 802 01 20  
atencionalcliente@pemsa-rejiband.com

### Export Area

C/ Galileo Galilei 22 - 24. P.E. La Garena  
28806, Alcalá de Henares. Madrid. España  
Tel.: +34 91 802 01 20  
export@pemsa-rejiband.com

---

## Branches



### UK

1 Sussex Avenue  
Leeds LS10 2LF  
Tel.: +44 113 277 9090  
sales@pemsa.co.uk  
www.pemsa.co.uk



### Portugal

Estrada de Polima, 1007 - 2ºK  
2785-543 São Domingos de Rana. Portugal  
Tel.: +351 21 4445725  
pemsa.portugal@pemsa-rejiband.com



### France

12, Rue de la Closerie, ZI de Clos aux pois  
Bat G. 91090 LISSES. France  
Tel.: +33 01 60 86 75 65  
service-client@pemsa.fr  
www.pemsa.fr



### Latinoamérica

Vía Funza - Siberia, Km 1,5  
Parque Ind. VIC - Bodega 1.  
FUNZA (Bogotá) - COLOMBIA  
Tel.: +57 1 823 7502  
customerservice@pemsa.com  
www.pemsa.com.co