



Steel. Material of Masterpieces

JANSEN

WE ARE JANSEN

And we are determined to enable architectural creativity.

Whether as supplier of steel systems for architectural solutions or as manufacturer of profile systems – we design the future and transform your ideas into sustainable, aesthetic and unique solutions.



Royal Museum for Central Africa, BE-Tervuren
ARCHITECTS: Stéphane Beel architecten, PHOTO: © Tim Fisher Photography



KHI House, GR-Methoni
ARCHITECTS: Lassa Architects, PHOTO: © naaro

As we are shaping the face of the city together with you, we feel responsible for energy efficiency and efficient material use. Steel is the material for unlimited recycling and therefore a sustainable material cycle. This is the environmental performance of steel.



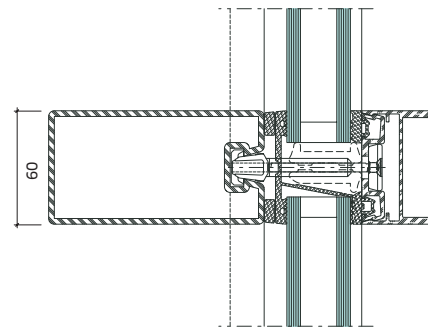
Werk 12, DE-Munich
ARCHITECTS: MVRDV & N-V-O Nuyken von Oefele Architekten, PHOTO: © Ossip van Duivenbode

Knowledge center for architect and façade builder

If you as an architect challenge us with your design ideas, we will start looking for the right system for your project. Even if you opt for bronze profiles, we can help you find the right solution. Our standard series are available in standard (powder) coated steel, stainless steel and weather-resistant Corten steel.



VISS Façade profile



PROJECT DETAILS

Saint Bavo's Cathedral, BE-Ghent

ARCHITECTS: Bressers Architecten, Gent/BE

PHOTO: © Tim Van de Velde



Steel offers proven longevity, can be reused infinitely, and is therefore an ecological product.



The Chimney House, AU-Sydney
ARCHITECTS: Atelier DAU (Emma Rees Raaijmakers & Suzanne Green)
PHOTO: © Tom Ferguson Photography

Heat and frost, high humidity, heavy tropical rain and a challenging landscape: architects need to take a wide range of conditions into account. However, the use of the largescale glazed surfaces allow you to implement your design concept without compromise.

PROJECT DETAILS

Manor House, NL-Wassenaar
ARCHITECTS:
DOK Architects Amsterdam
PHOTO:
© Arjen Schmitz

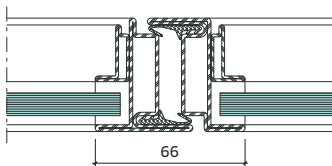
DAYLIGHT ALL THE WAY INSIDE



CODA Museum, NL-Apeldoorn
ARCHITECTS: AHH Architects Amsterdam, PHOTO: © Petra Appelhof

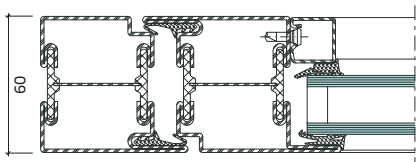


Jansen Art'15 profile

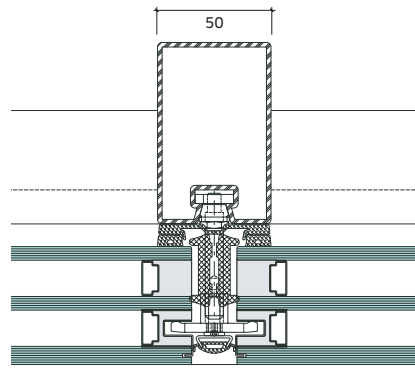


Private residence, AU-Melbourne
ARCHITECTS: DX Architects, PHOTO: Emily Bartlett Photography

Janisol steel door (insulated) profile



VISS SG Façade profile



PROJECT DETAILS

JUVELEN, SE-Uppsala
ARCHITECTS: Utopia Arkitekter AB
PHOTO: © Magnus Östh

REUSE is better than RECYCLE

The Environmental Product Declarations (EPD) certify that steel doors and windows from Jansen have a service life of 75 years and steel façades, such as the Jansen VISS façade, even have a service life of 100 years. In addition, steel remains efficient, reliable, and low-maintenance even with intensive use.

PROJECT DETAILS

Gare Maritime, BE-Brussels

ARCHITECTS:

Neutelings Riedijk Architects,

JDMA Jan de Moffarts Architecten,

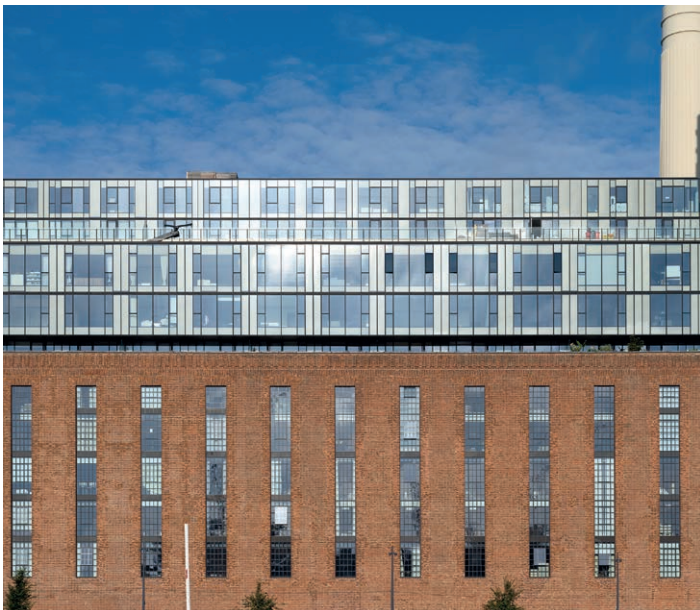
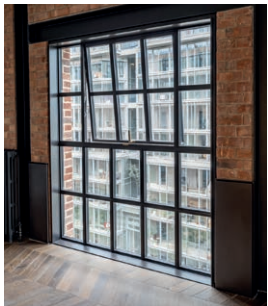
Bureau Bouwtechniek

PHOTO:

© Tim Fisher Photography

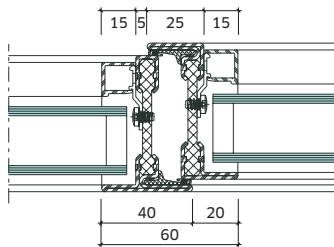


From factory to office to apartment block – there is no better way to spell sustainability than by reusing existing buildings.



Battersea Power Station, GB-London
ARCHITECTS: WilkinsonEyre.Architects, PHOTO: © Tim Fisher Photography

Janisol Arte profile





The contrast between the rigid, earthquake-proof reinforced concrete structure and the filigree glass interior surfaces is a key part of the design of the Futura One project in Taipei. The Jansen steel system enables a frameless construction with large glass surfaces that can withstand the wind loads exerted during regional typhoons, making it the perfect choice for the project.

PROJECT DETAILS

Futura One, TW-Taipeh
ARCHITECT: Philipp Mainzer, Frankfurt am Main/DE
PHOTO: © Shawn Liu Studio



VISS³ free-form faade

OUR FAADE ENGINEERING SERVICES



VISS³ 3D printed steel nodes

We offer you the following services to provide you with the best possible support for your projects.

- Faade advice
- Preliminary static calculations
- U-value calculations
- CAD & BIM models
- Sustainability advice

CONTACT US



Jansen AG | Industriestrasse 34 | CH-9463 Oberriet | jansen.com
+41 71 763 91 11, buildingsystems@jansen.com

Jansen AG NL/BE Representative Office

Ettensebaan 31
4813 AH Breda
The Netherlands
☎ in BE (NL)+32 3 375 61 83
☎ in BE (FR)+32 3 375 61 81
☎ in NL +31 20 899 95 20

Jansen America, Inc
228 East 45th Street, Suite 9E
New York, NY 10017
United States of America
☎ +1 646 974 5906

Jansen AG Turkey
Representative Office
Süleyman Seba Cad. No:48
BJK Plaza A Blok D:38
34357 Beşiktaş / İstanbul
Turkey
☎ +90 212 259 69 12

Jansen China Co., Ltd.
Room 01, Section A, 1F Building No. 8
111 Shennan Road
Xinzhuang Industry Park
201108 Shanghai
China
☎ +86 21 3350 8700
☎ +86 21 3350 8722

AluKönigStahl GmbH
Goldschlagstrasse 87-89
1150 Wien
Austria
☎ +43 198 130 0
☎ +43 198 130 64

C.P. Sistemi S.r.l.
Via. E. De Amicis, 63
20092 Cinisello Balsamo
Italy
☎ +39 02660 41 017
☎ +39 02617 31 20

Descasystem
Departement Jansen
174, avenue de Pressensé
69632 Vénissieux Cedex
France
☎ +33 478 785 050
☎ +33 478 785 051

Metalco Arquitectura en Acero, S.L.
Camino de las Ceudas nº2,
Oficina Jansen
CP 28232, Las Rozas de Madrid
Spain
☎ +34 91 320 60 21
☎ +34 91 320 62 86

Schüco International KG
Karolinenstrasse 1-15
33609 Bielefeld
Germany
☎ +49 521 783 9252
☎ +49 521 783 2521