



MARINE TYPE CABLE TRAY SYSTEMS

EAE GROUP IN NUMBERS



Since 1973

EAE Group of Companies started its journey in the electrical sector in 1973 with the establishment of EAE Elektrik. Since its founding, EAE has grown rapidly, expanding its production and areas of operation by incorporating EAE Lighting in 1983, EAE Machinery in 1996, EAE Electrotechnics in 2004, and EAE Technology in 2009.

EAE carries out its production activities in accordance with ISO 9001 Quality Management, ISO 14001 Environmental Management, ISO 14064-1 Greenhouse Gas Management System, ISO 45001 Occupational Health and Safety Management, ISO 10002 Customer Satisfaction Management, ISO 50001 Energy Management System, and ISO 27001 Information Security Management System standards.



50+
Years Experience



8
Active Factories



370.000m²
Enclosed Space



3
R&D Centers



150+
Countries Exported To

CONTENTS

CABLE LADDERS

Cable Ladders General.....	3
Cable Ladders.....	4
Cable Ladders Horizontal Bend	5-7
Cable Ladders YT Horizontal Tee Module	8
Cable Ladders AD Horizontal Cross Module	9
Cable Ladders Concave Module.....	10
Cable Ladders Convex Module.....	11
Cable Ladders Level Adaptation Module.....	12
Cable Ladders Level Adaptation Module, Cable Ladders Fixing Clamp.....	13
Cable Ladders Corner Joint, Cable Ladders Joint Fitting	14

CABLE TRAY

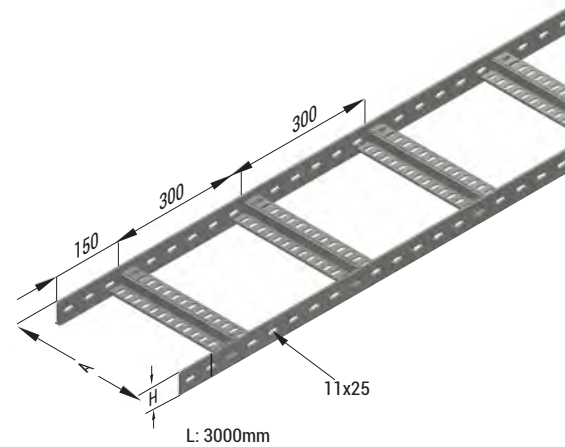
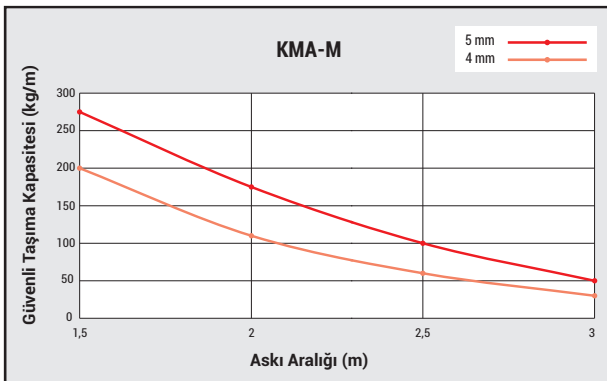
CTA-M Cable Trays Marine Type YD90 Horizontal Elbow Module.....	15-16
Marine Type YT Tee Bend, Marine Type AD Cross Over Bend.....	17
CTA-M Concave Module, CTA-M Convex Module	18
Marine Type Concave Adjustable Module, Marine Type Convex Adjustable Module.....	19
Marine Type Cable Tray Systems Joint Fitting, Cable Tray Systems Level Adaptation Module	20
Marine Type F Bracket, Marine Type Long F Bracket.....	21
Marine Type E Brackets, Marine Type Long F Bracket.....	22
Marine Type E-F Brackets Clamps, Marine Type U Brackets, Tray Support with Rod System	23
Marine Type UD Brackets, Marine Type L Support.....	24
Marine Type Panel Support, Marine Type L Perforated Support, Support For Lamp	25
Marine Type Support For External Lamp, Pipe Support 1 For Lamp, Pipe Support 2 For Lamp.....	26
Marine Type Support For Fire Button, Support For Dedector, Hanging Support With Cap	27
Menholes	28
Marine Type Prop, Cable Tray Bolt Set, Cable Ladders Bolt Set.....	29



MARINE TYPE CABLE TRAY SYSTEMS

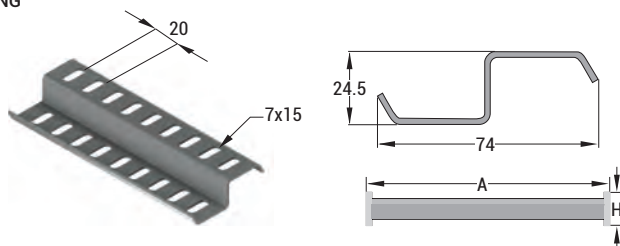
Marine Type Cable Ladders

Hot Dip Galvanized (TS EN ISO 1461), Stainless Steel (SS304-SS316)

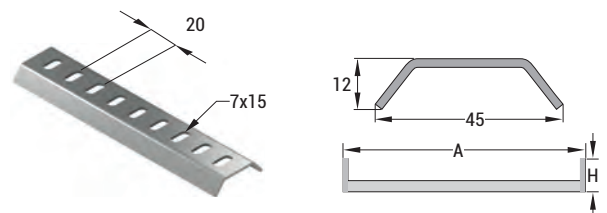


Description	H (mm)	A (mm)	T (mm)	Z RUNG		V RUNG		Z RUNG		V RUNG	
				Weight (kg/m)	HDG Code	Weight (kg/m)	HDG Code	Weight (kg/m)	SS Code	Weight (kg/m)	SS Code
040 KMA-M (Z/V) 100	40	100	4	2,885	3179957	2,680	3195855	2,671	3343910	2,481	3344114
040 KMA-M (Z/V) 150	40	150	4	3,138	3179958	2,819	3195856	2,906	3343911	2,610	3344115
040 KMA-M (Z/V) 200	40	200	4	3,376	3179959	2,958	3195857	3,126	3343912	2,739	3344116
040 KMA-M (Z/V) 250	40	250	4	3,633	3179960	3,098	3195858	3,364	3343913	2,868	3344117
040 KMA-M (Z/V) 300	40	300	4	3,871	3179961	3,237	3195859	3,585	3343914	2,997	3344118
040 KMA-M (Z/V) 350	40	350	4	4,124	3179962	3,376	3195860	3,819	3343915	3,126	3344119
040 KMA-M (Z/V) 400	40	400	4	4,362	3179963	3,512	3195861	4,040	3343916	3,252	3344120
040 KMA-M (Z/V) 450	40	450	4	4,619	3179964	3,655	3195862	4,277	3343917	3,384	3344121
040 KMA-M (Z/V) 500	40	500	4	4,857	3179965	3,790	3195863	4,498	3343918	3,510	3344122
040 KMA-M (Z/V) 550	40	550	4	5,110	3179966	3,933	3195864	4,732	3343919	3,642	3344123
040 KMA-M (Z/V) 600	40	600	4	5,349	3179967	4,069	3195865	4,953	3343920	3,768	3344124
040 KMA-M (Z/V) 650	40	650	4	5,605	3179968	4,212	3195866	5,190	3343921	3,900	3344125
040 KMA-M (Z/V) 700	40	700	4	5,844	3179969	4,348	3195867	5,411	3343922	4,026	3344126
040 KMA-M (Z/V) 750	40	750	4	6,100	3179970	4,491	3195868	5,649	3343923	4,158	3344127
050 KMA-M (Z/V) 100	50	100	5	4,338	3179971	4,140	3195869	4,017	3343924	3,834	3344128
050 KMA-M (Z/V) 150	50	150	5	4,595	3179972	4,283	3195870	4,255	3343925	3,966	3344129
050 KMA-M (Z/V) 200	50	200	5	4,833	3179973	4,419	3195871	4,476	3343926	4,092	3344130
050 KMA-M (Z/V) 250	50	250	5	5,090	3179974	4,562	3195872	4,713	3343927	4,224	3344131
050 KMA-M (Z/V) 300	50	300	5	5,328	3179975	4,698	3195873	4,934	3343928	4,350	3344132
050 KMA-M (Z/V) 350	50	350	5	5,581	3179976	4,841	3195874	5,168	3343929	4,482	3344133
050 KMA-M (Z/V) 400	50	400	5	5,820	3179977	4,976	3195875	5,389	3343930	4,608	3344134
050 KMA-M (Z/V) 450	50	450	5	6,076	3179978	5,116	3195876	5,627	3343931	4,737	3344135
050 KMA-M (Z/V) 500	50	500	5	6,314	3179979	5,255	3195877	5,847	3343932	4,866	3344136
050 KMA-M (Z/V) 550	50	550	5	6,567	3179980	5,394	3195878	6,081	3343933	4,995	3344137
050 KMA-M (Z/V) 600	50	600	5	6,806	3179981	5,534	3195879	6,302	3343934	5,124	3344138
050 KMA-M (Z/V) 650	50	650	5	7,062	3179982	5,673	3195880	6,540	3343935	5,253	3344139
050 KMA-M (Z/V) 700	50	700	5	7,301	3179983	5,809	3195881	6,760	3343936	5,379	3344140
050 KMA-M (Z/V) 750	50	750	5	7,554	3179984	5,952	3195882	6,995	3343937	5,511	3344141

Z RUNG



V RUNG



- Please indicate order code in your orders.
- Please contact us for special dimensions.
- Material weights may vary by $\pm 10\%$

• All dimensions are given as in mm.

- SS= Stainless Steel
- HDG= Hot Dip Galvanized

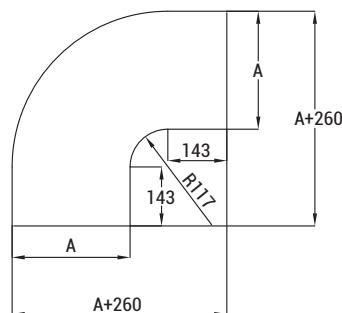
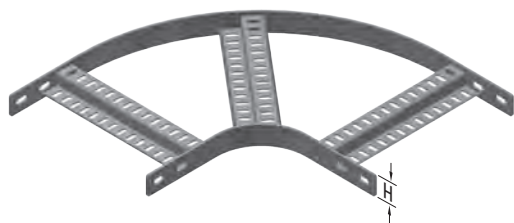
MARINE TYPE CABLE TRAY SYSTEMS

Marine Type Cable Ladders Horizontal Bend

Hot Dip Galvanized (TS EN ISO 1461), Stainless Steel (SS304-SS316)

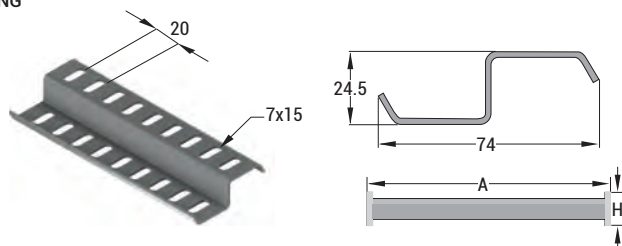


YD90°

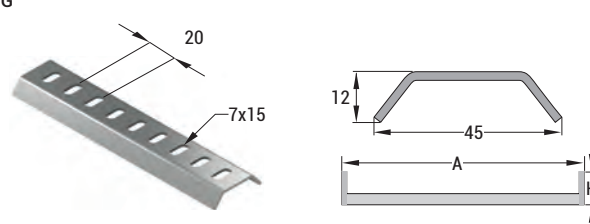


Description	H (mm)	A (mm)	T (mm)	Z RUNG		V RUNG		Z RUNG		V RUNG	
				Weight (kg/set)	HDG Code	Weight (kg/set)	HDG Code	Weight (kg/set)	SS Code	Weight (kg/set)	SS Code
040 KMA-M-(Z/V) 100 YD	40	100	4	1,817	3180013	1,632	3195883	1,683	3343938	1,512	3344142
040 KMA-M-(Z/V) 150 YD	40	150	4	2,153	3180014	1,866	3195884	1,993	3343939	1,728	3344143
040 KMA-M-(Z/V) 200 YD	40	200	4	2,476	3180015	2,100	3195885	2,293	3343940	1,945	3344144
040 KMA-M-(Z/V) 250 YD	40	250	4	2,816	3180016	2,334	3195886	2,608	3343941	2,161	3344145
040 KMA-M-(Z/V) 300 YD	40	300	4	3,138	3180017	2,567	3195887	2,906	3343942	2,377	3344146
040 KMA-M-(Z/V) 350 YD	40	350	4	3,475	3180018	2,802	3195888	3,218	3343943	2,594	3344147
040 KMA-M-(Z/V) 400 YD	40	400	4	3,798	3180019	3,033	3195889	3,517	3343944	2,808	3344148
040 KMA-M-(Z/V) 450 YD	40	450	4	4,137	3180020	3,269	3195890	3,831	3343945	3,027	3344149
040 KMA-M-(Z/V) 500 YD	40	500	4	4,461	3180021	3,500	3195891	4,130	3343946	3,241	3344150
040 KMA-M-(Z/V) 550 YD	40	550	4	5,605	3180022	4,192	3195892	5,190	3343947	3,882	3344151
040 KMA-M-(Z/V) 600 YD	40	600	4	5,998	3180023	4,463	3195893	5,554	3343948	4,132	3344152
040 KMA-M-(Z/V) 650 YD	40	650	4	6,415	3180024	4,743	3195894	5,940	3343949	4,392	3344153
040 KMA-M-(Z/V) 700 YD	40	700	4	6,810	3180025	5,015	3195895	6,306	3343950	4,644	3344154
040 KMA-M-(Z/V) 750 YD	40	750	4	7,226	3180026	5,294	3195896	6,691	3343951	4,903	3344155
050 KMA-M-(Z/V) 100 YD	50	100	5	2,602	3180027	2,423	3195897	2,409	3343952	2,244	3344156
050 KMA-M-(Z/V) 150 YD	50	150	5	3,002	3180028	2,721	3195898	2,780	3343953	2,520	3344157
050 KMA-M-(Z/V) 200 YD	50	200	5	3,386	3180029	3,013	3195899	3,135	3343954	2,790	3344158
050 KMA-M-(Z/V) 250 YD	50	250	5	3,787	3180030	3,312	3195900	3,507	3343955	3,067	3344159
050 KMA-M-(Z/V) 300 YD	50	300	5	4,171	3180031	3,604	3195901	3,863	3343956	3,337	3344160
050 KMA-M-(Z/V) 350 YD	50	350	5	4,568	3180032	3,902	3195902	4,230	3343957	3,613	3344161
050 KMA-M-(Z/V) 400 YD	50	400	5	4,952	3180033	4,193	3195903	4,586	3343958	3,883	3344162
050 KMA-M-(Z/V) 450 YD	50	450	5	5,353	3180034	4,488	3195904	4,957	3343959	4,156	3344163
050 KMA-M-(Z/V) 500 YD	50	500	5	5,737	3180035	4,783	3195905	5,312	3343960	4,429	3344164
050 KMA-M-(Z/V) 550 YD	50	550	5	6,938	3180036	5,530	3195906	6,424	3343961	5,121	3344165
050 KMA-M-(Z/V) 600 YD	50	600	5	7,393	3180037	5,866	3195907	6,846	3343962	5,432	3344166
050 KMA-M-(Z/V) 650 YD	50	650	5	7,872	3180038	6,204	3195908	7,289	3343963	5,745	3344167
050 KMA-M-(Z/V) 700 YD	50	700	5	8,327	3180039	6,536	3195909	7,711	3343964	6,053	3344168
050 KMA-M-(Z/V) 750 YD	50	750	5	8,800	3180040	6,877	3195910	8,149	3343965	6,368	3344169

Z RUNG



V RUNG



- Please indicate order code in your orders.
- Please contact us for special dimensions.
- Material weights may vary by $\pm 10\%$

• All dimensions are given as in mm.

- SS= Stainless Steel
- HDG= Hot Dip Galvanized

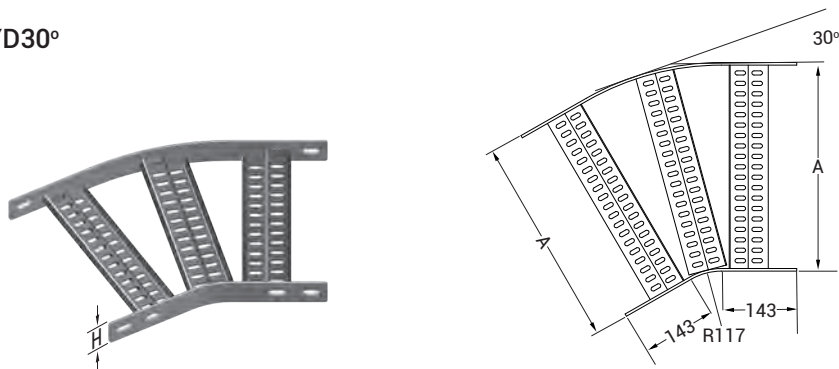
MARINE TYPE CABLE TRAY SYSTEMS

Marine Type Cable Ladders Horizontal Bend

Hot Dip Galvanized (TS EN ISO 1461), Stainless Steel (SS304-SS316)

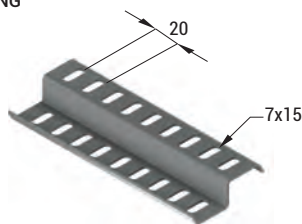


YD30°

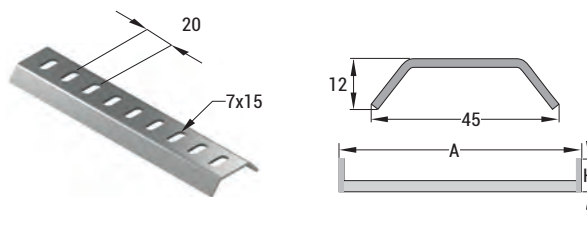


Description	H (mm)	A (mm)	T (mm)	Z RUNG		V RUNG		Z RUNG		V RUNG	
				Weight (kg/set)	HDG Code	Weight (kg/set)	HDG Code	Weight (kg/set)	SS Code	Weight (kg/set)	SS Code
040 KMA-M (Z/V) 100 YD30 (4MM)	40	100	4	1,287	3358338	1,191	3358366	1,193	3358394	1,105	3358422
040 KMA-M (Z/V) 150 YD30 (4MM)	40	150	4	1,494	3358339	1,349	3358367	1,385	3358395	1,251	3358423
040 KMA-M (Z/V) 200 YD30 (4MM)	40	200	4	1,712	3358340	1,51	3358368	1,587	3358396	1,4	3358424
040 KMA-M (Z/V) 250 YD30 (4MM)	40	250	4	2,187	3358341	1,672	3358369	2,028	3358397	1,55	3358425
040 KMA-M (Z/V) 300 YD30 (4MM)	40	300	4	2,461	3358342	1,834	3358370	2,282	3358398	1,7	3358426
040 KMA-M (Z/V) 350 YD30 (4MM)	40	350	4	2,721	3358343	1,999	3358371	2,523	3358399	1,853	3358427
040 KMA-M (Z/V) 400 YD30 (4MM)	40	400	4	2,995	3358344	2,157	3358372	2,777	3358400	2	3358428
040 KMA-M (Z/V) 450 YD30 (4MM)	40	450	4	3,256	3358345	2,322	3358373	3,019	3358401	2,153	3358429
040 KMA-M (Z/V) 500 YD30 (4MM)	40	500	4	3,53	3358346	2,481	3358374	3,273	3358402	2,3	3358430
040 KMA-M (Z/V) 550 YD30 (4MM)	40	550	4	3,79	3358347	2,644	3358375	3,514	3358403	2,452	3358431
040 KMA-M (Z/V) 600 YD30 (4MM)	40	600	4	4,067	3358348	2,806	3358376	3,771	3358404	2,602	3358432
040 KMA-M (Z/V) 650 YD30 (4MM)	40	650	4	4,324	3358349	2,968	3358377	4,01	3358405	2,752	3358433
040 KMA-M (Z/V) 700 YD30 (4MM)	40	700	4	4,519	3358350	3,13	3358378	4,19	3358406	2,902	3358434
040 KMA-M (Z/V) 750 YD30 (4MM)	40	750	4	4,783	3358351	3,295	3358379	4,435	3358407	3,055	3358435
050 KMA-M (Z/V) 100 YD30 (5MM)	50	100	5	1,845	3358352	1,749	3358380	1,711	3358408	1,622	3358436
050 KMA-M (Z/V) 150 YD30 (5MM)	50	150	5	2,074	3358353	1,928	3358381	1,923	3358409	1,788	3358437
050 KMA-M (Z/V) 200 YD30 (5MM)	50	200	5	2,311	3358354	2,11	3358382	2,143	3358410	1,956	3358438
050 KMA-M (Z/V) 250 YD30 (5MM)	50	250	5	2,806	3358355	2,291	3358383	2,602	3358411	2,125	3358439
050 KMA-M (Z/V) 300 YD30 (5MM)	50	300	5	3,101	3358356	2,474	3358384	2,875	3358412	2,294	3358440
050 KMA-M (Z/V) 350 YD30 (5MM)	50	350	5	3,381	3358357	2,659	3358385	3,135	3358413	2,465	3358441
050 KMA-M (Z/V) 400 YD30 (5MM)	50	400	5	3,675	3358358	2,837	3358386	3,408	3358414	2,631	3358442
050 KMA-M (Z/V) 450 YD30 (5MM)	50	450	5	3,957	3358359	3,023	3358387	3,669	3358415	2,803	3358443
050 KMA-M (Z/V) 500 YD30 (5MM)	50	500	5	4,25	3358360	3,201	3358388	3,941	3358416	2,968	3358444
050 KMA-M (Z/V) 550 YD30 (5MM)	50	550	5	4,532	3358361	3,387	3358389	4,202	3358417	3,141	3358445
050 KMA-M (Z/V) 600 YD30 (5MM)	50	600	5	4,829	3358362	3,568	3358390	4,478	3358418	3,309	3358446
050 KMA-M (Z/V) 650 YD30 (5MM)	50	650	5	5,106	3358363	3,75	3358391	4,735	3358419	3,477	3358447
050 KMA-M (Z/V) 700 YD30 (5MM)	50	700	5	5,322	3358364	3,933	3358392	4,935	3358420	3,647	3358448
050 KMA-M (Z/V) 750 YD30 (5MM)	50	750	5	5,606	3358365	4,117	3358393	5,198	3358421	3,818	3358449

Z RUNG



V RUNG



- Please indicate order code in your orders.
- Please contact us for special dimensions.
- Material weights may vary by ± 10%

• All dimensions are given as in mm.

- SS= Stainless Steel
- HDG= Hot Dip Galvanized

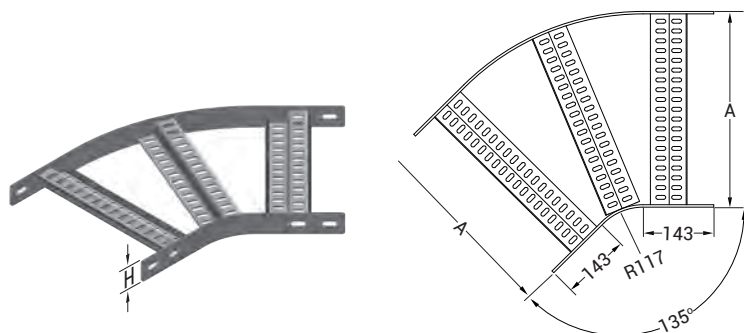
MARINE TYPE CABLE TRAY SYSTEMS

Marine Type Cable Ladders Horizontal Bend

Hot Dip Galvanized (TS EN ISO 1461), Stainless Steel (SS304-SS316)

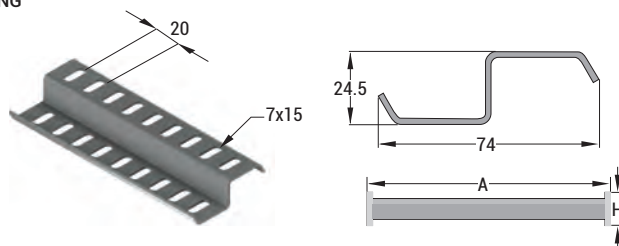


YD45°

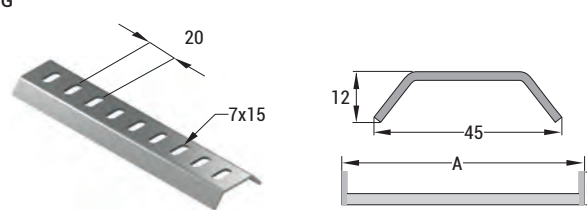


Description	H (mm)	A (mm)	T (mm)	Z RUNG		V RUNG		Z RUNG		V RUNG	
				Weight (kg/set)	HDG Code	Weight (kg/set)	HDG Code	Weight (kg/set)	SS Code	Weight (kg/set)	SS Code
40 KMA-M (Z/V) 100 YD45 R117	40	100	4	1,303	3329567	1,214	3329595	1,405	3329623	1,309	3329651
40 KMA-M (Z/V) 150 YD45 R117	40	150	4	1,512	3329568	1,377	3329596	1,630	3329624	1,485	3329652
40 KMA-M (Z/V) 200 YD45 R117	40	200	4	1,730	3329569	1,543	3329597	1,866	3329625	1,664	3329653
40 KMA-M (Z/V) 250 YD45 R117	40	250	4	2,188	3329570	1,711	3329598	2,360	3329626	1,845	3329654
40 KMA-M (Z/V) 300 YD45 R117	40	300	4	2,458	3329571	1,877	3329599	2,651	3329627	2,024	3329655
40 KMA-M (Z/V) 350 YD45 R117	40	350	4	2,716	3329572	2,046	3329600	2,929	3329628	2,207	3329656
40 KMA-M (Z/V) 400 YD45 R117	40	400	4	2,988	3329573	2,210	3329601	3,222	3329629	2,384	3329657
40 KMA-M (Z/V) 450 YD45 R117	40	450	4	3,246	3329574	2,380	3329602	3,500	3329630	2,566	3329658
40 KMA-M (Z/V) 500 YD45 R117	40	500	4	3,516	3329575	2,543	3329603	3,792	3329631	2,742	3329659
40 KMA-M (Z/V) 550 YD45 R117	40	550	4	3,775	3329576	2,713	3329604	4,071	3329632	2,926	3329660
40 KMA-M (Z/V) 600 YD45 R117	40	600	4	4,048	3329577	2,879	3329605	4,366	3329633	3,105	3329661
40 KMA-M (Z/V) 650 YD45 R117	40	650	4	4,303	3329578	3,046	3329606	4,641	3329634	3,285	3329662
40 KMA-M (Z/V) 700 YD45 R117	40	700	4	4,501	3329579	3,213	3329607	4,854	3329635	3,465	3329663
40 KMA-M (Z/V) 750 YD45 R117	40	750	4	4,762	3329580	3,382	3329608	5,136	3329636	3,648	3329664
50 KMA-M (Z/V) 100 YD45 R117	50	100	5	1,880	3329581	1,791	3329609	2,027	3329637	1,932	3329665
50 KMA-M (Z/V) 150 YD45 R117	50	150	5	2,118	3329582	1,983	3329610	2,284	3329638	2,138	3329666
50 KMA-M (Z/V) 200 YD45 R117	50	200	5	2,364	3329583	2,178	3329611	2,550	3329639	2,349	3329667
50 KMA-M (Z/V) 250 YD45 R117	50	250	5	2,850	3329584	2,373	3329612	3,073	3329640	2,559	3329668
50 KMA-M (Z/V) 300 YD45 R117	50	300	5	3,149	3329585	2,567	3329613	3,396	3329641	2,769	3329669
50 KMA-M (Z/V) 350 YD45 R117	50	350	5	3,435	3329586	2,765	3329614	3,705	3329642	2,982	3329670
50 KMA-M (Z/V) 400 YD45 R117	50	400	5	3,734	3329587	2,957	3329615	4,027	3329643	3,189	3329671
50 KMA-M (Z/V) 450 YD45 R117	50	450	5	4,021	3329588	3,155	3329616	4,336	3329644	3,402	3329672
50 KMA-M (Z/V) 500 YD45 R117	50	500	5	4,320	3329589	3,347	3329617	4,659	3329645	3,609	3329673
50 KMA-M (Z/V) 550 YD45 R117	50	550	5	4,606	3329590	3,545	3329618	4,968	3329646	3,823	3329674
50 KMA-M (Z/V) 600 YD45 R117	50	600	5	4,908	3329591	3,739	3329619	5,293	3329647	4,033	3329675
50 KMA-M (Z/V) 650 YD45 R117	50	650	5	5,192	3329592	3,934	3329620	5,599	3329648	4,243	3329676
50 KMA-M (Z/V) 700 YD45 R117	50	700	5	5,417	3329593	4,129	3329621	5,842	3329649	4,453	3329677
50 KMA-M (Z/V) 750 YD45 R117	50	750	5	5,707	3329594	4,327	3329622	6,155	3329650	4,666	3329678

Z RUNG



V RUNG



- Please indicate order code in your orders.
- Please contact us for special dimensions.
- Material weights may vary by $\pm 10\%$

• All dimensions are given as in mm.

- SS= Stainless Steel
- HDG= Hot Dip Galvanized

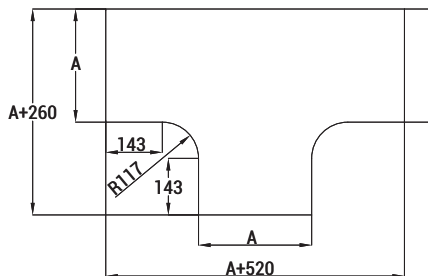
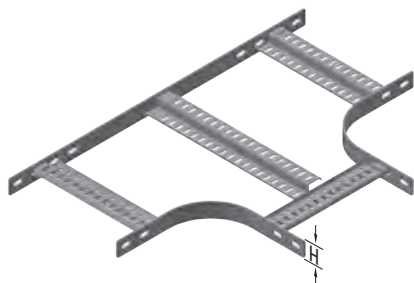
MARINE TYPE CABLE TRAY SYSTEMS

Marine Type Cable Ladders YT Tee Bend

Hot Dip Galvanized (TS EN ISO 1461), Stainless Steel (SS304-SS316)

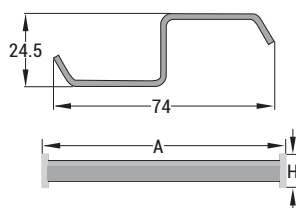
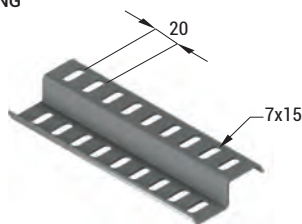


YT

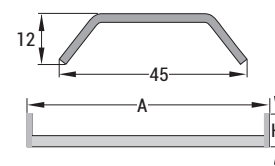
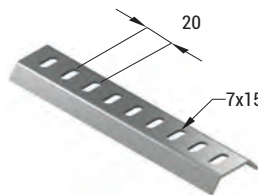


Description	H (mm)	A (mm)	T (mm)	Z RUNG		V RUNG		Z RUNG		V RUNG	
				Weight (kg/set)	HDG Code	Weight (kg/set)	HDG Code	Weight (kg/set)	SS Code	Weight (kg/set)	SS Code
040 KMA-M-(Z/V) 100 YT	40	100	4	2,677	3179985	2,367	3195911	2,479	3343966	2,192	3344170
040 KMA-M-(Z/V) 150 YT	40	150	4	3,051	3179986	2,604	3195912	2,826	3343967	2,411	3344171
040 KMA-M-(Z/V) 200 YT	40	200	4	3,407	3179987	2,840	3195913	3,155	3343968	2,630	3344172
040 KMA-M-(Z/V) 250 YT	40	250	4	3,783	3179988	3,077	3195914	3,503	3343969	2,849	3344173
040 KMA-M-(Z/V) 300 YT	40	300	4	4,137	3179989	3,311	3195915	3,831	3343970	3,066	3344174
040 KMA-M-(Z/V) 350 YT	40	350	4	4,511	3179990	3,549	3195916	4,177	3343971	3,286	3344175
040 KMA-M-(Z/V) 400 YT	40	400	4	4,866	3179991	3,781	3195917	4,506	3343972	3,501	3344176
040 KMA-M-(Z/V) 450 YT	40	450	4	5,243	3179992	4,022	3195918	4,855	3343973	3,724	3344177
040 KMA-M-(Z/V) 500 YT	40	500	4	5,598	3179993	4,254	3195919	5,184	3343974	3,939	3344178
040 KMA-M-(Z/V) 550 YT	40	550	4	5,971	3179994	4,494	3195920	5,529	3343975	4,161	3344179
040 KMA-M-(Z/V) 600 YT	40	600	4	7,354	3179995	5,304	3195921	6,809	3343976	4,912	3344180
040 KMA-M-(Z/V) 650 YT	40	650	4	7,808	3179996	5,588	3195922	7,230	3343977	5,174	3344181
040 KMA-M-(Z/V) 700 YT	40	700	4	8,237	3179997	5,863	3195923	7,627	3343978	5,429	3344182
040 KMA-M-(Z/V) 750 YT	40	750	4	8,687	3179998	6,142	3195924	8,044	3343979	5,688	3344183
050 KMA-M-(Z/V) 100 YT	50	100	5	3,803	3179999	3,499	3195925	3,521	3343980	3,240	3344184
050 KMA-M-(Z/V) 150 YT	50	150	5	4,219	3180000	3,777	3195926	3,906	3343981	3,498	3344185
050 KMA-M-(Z/V) 200 YT	50	200	5	4,612	3180001	4,049	3195927	4,271	3343982	3,749	3344186
050 KMA-M-(Z/V) 250 YT	50	250	5	5,027	3180002	4,327	3195928	4,655	3343983	4,007	3344187
050 KMA-M-(Z/V) 300 YT	50	300	5	5,421	3180003	4,598	3195929	5,020	3343984	4,258	3344188
050 KMA-M-(Z/V) 350 YT	50	350	5	5,834	3180004	4,879	3195930	5,403	3343985	4,517	3344189
050 KMA-M-(Z/V) 400 YT	50	400	5	6,228	3180005	5,149	3195931	5,767	3343986	4,768	3344190
050 KMA-M-(Z/V) 450 YT	50	450	5	6,643	3180006	5,425	3195932	6,151	3343987	5,024	3344191
050 KMA-M-(Z/V) 500 YT	50	500	5	7,037	3180007	5,699	3195933	6,516	3343988	5,277	3344192
050 KMA-M-(Z/V) 550 YT	50	550	5	7,449	3180008	5,975	3195934	6,898	3343989	5,533	3344193
050 KMA-M-(Z/V) 600 YT	50	600	5	8,870	3180009	6,828	3195935	8,214	3343990	6,322	3344194
050 KMA-M-(Z/V) 650 YT	50	650	5	9,363	3180010	7,147	3195936	8,670	3343991	6,618	3344195
050 KMA-M-(Z/V) 700 YT	50	700	5	9,831	3180011	7,460	3195937	9,103	3343992	6,908	3344196
050 KMA-M-(Z/V) 750 YT	50	750	5	10,317	3180012	7,779	3195938	9,553	3343993	7,204	3344197

Z RUNG



V RUNG



- Please indicate order code in your orders.
- Please contact us for special dimensions.
- Material weights may vary by ± 10%

• All dimensions are given as in mm.

- SS= Stainless Steel
- HDG= Hot Dip Galvanized

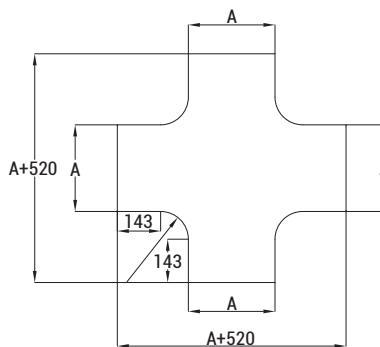
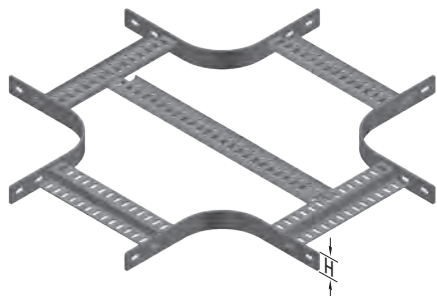
MARINE TYPE CABLE TRAY SYSTEMS

Marine Type Cable Ladders AD Cross Over Bend

Hot Dip Galvanized (TS EN ISO 1461), Stainless Steel (SS304-SS316)

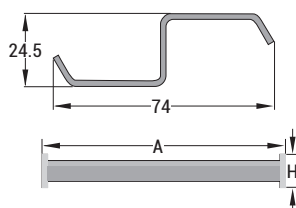
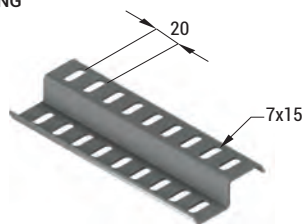


AD

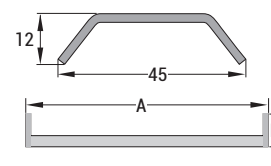
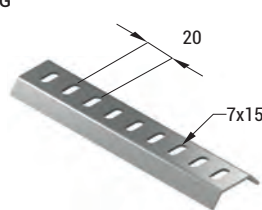


Description	H (mm)	A (mm)	T (mm)	Z RUNG		V RUNG		Z RUNG		V RUNG	
				Weight (kg/set)	HDG Code	Weight (kg/set)	HDG Code	Weight (kg/set)	SS Code	Weight (kg/set)	SS Code
040 KMA-M-(Z/V) 100 AD	40	100	4	3,384	3180042	2,947	3195939	3,133	3343994	2,729	3344198
040 KMA-M-(Z/V) 150 AD	40	150	4	3,763	3180043	3,156	3195940	3,485	3343995	2,922	3344199
040 KMA-M-(Z/V) 200 AD	40	200	4	4,121	3180044	3,364	3195941	3,816	3343996	3,115	3344200
040 KMA-M-(Z/V) 250 AD	40	250	4	4,506	3180045	3,574	3195942	4,172	3343997	3,309	3344201
040 KMA-M-(Z/V) 300 AD	40	300	4	4,863	3180046	3,782	3195943	4,503	3343998	3,502	3344202
040 KMA-M-(Z/V) 350 AD	40	350	4	5,243	3180047	3,992	3195944	4,855	3343999	3,696	3344203
040 KMA-M-(Z/V) 400 AD	40	400	4	5,600	3180048	4,195	3195945	5,186	3344000	3,885	3344204
040 KMA-M-(Z/V) 450 AD	40	450	4	5,985	3180049	4,410	3195946	5,542	3344001	4,084	3344205
040 KMA-M-(Z/V) 500 AD	40	500	4	6,343	3180050	4,613	3195947	5,873	3344002	4,272	3344206
040 KMA-M-(Z/V) 550 AD	40	550	4	6,723	3180051	4,828	3195948	6,226	3344003	4,471	3344207
040 KMA-M-(Z/V) 600 AD	40	600	4	8,259	3180052	5,696	3195949	7,648	3344004	5,274	3344208
040 KMA-M-(Z/V) 650 AD	40	650	4	8,716	3180053	5,949	3195950	8,071	3344005	5,509	3344209
040 KMA-M-(Z/V) 700 AD	40	700	4	9,150	3180054	6,195	3195951	8,473	3344006	5,737	3344210
040 KMA-M-(Z/V) 750 AD	40	750	4	9,605	3180055	6,448	3195952	8,894	3344007	5,971	3344211
050 KMA-M-(Z/V) 100 AD	50	100	5	4,734	3180056	4,307	3195953	4,384	3344008	3,988	3344212
050 KMA-M-(Z/V) 150 AD	50	150	5	5,118	3180057	4,520	3195954	4,740	3344009	4,185	3344213
050 KMA-M-(Z/V) 200 AD	50	200	5	5,476	3180058	4,723	3195955	5,071	3344010	4,374	3344214
050 KMA-M-(Z/V) 250 AD	50	250	5	5,861	3180059	4,938	3195956	5,427	3344011	4,572	3344215
050 KMA-M-(Z/V) 300 AD	50	300	5	6,218	3180060	5,141	3195957	5,758	3344012	4,761	3344216
050 KMA-M-(Z/V) 350 AD	50	350	5	6,598	3180061	5,356	3195958	6,110	3344013	4,960	3344217
050 KMA-M-(Z/V) 400 AD	50	400	5	6,955	3180062	5,559	3195959	6,441	3344014	5,148	3344218
050 KMA-M-(Z/V) 450 AD	50	450	5	7,340	3180063	5,770	3195960	6,797	3344015	5,343	3344219
050 KMA-M-(Z/V) 500 AD	50	500	5	7,698	3180064	5,977	3195961	7,128	3344016	5,535	3344220
050 KMA-M-(Z/V) 550 AD	50	550	5	8,078	3180065	6,188	3195962	7,481	3344017	5,730	3344221
050 KMA-M-(Z/V) 600 AD	50	600	5	9,614	3180066	7,060	3195963	8,903	3344018	6,537	3344222
050 KMA-M-(Z/V) 650 AD	50	650	5	10,072	3180067	7,308	3195964	9,326	3344019	6,768	3344223
050 KMA-M-(Z/V) 700 AD	50	700	5	10,505	3180068	7,555	3195965	9,728	3344020	6,996	3344224
050 KMA-M-(Z/V) 750 AD	50	750	5	10,956	3180069	7,808	3195966	10,145	3344021	7,230	3344225

Z RUNG



V RUNG



- Please indicate order code in your orders.
- Please contact us for special dimensions.
- Material weights may vary by $\pm 10\%$

• All dimensions are given as in mm.

- SS= Stainless Steel
- HDG= Hot Dip Galvanized

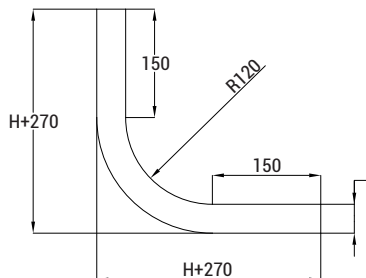
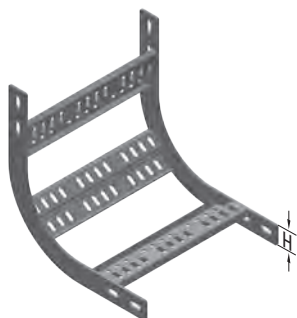
MARINE TYPE CABLE TRAY SYSTEMS

Marine Type Cable Ladders Vertical Inside Bend

Hot Dip Galvanized (TS EN ISO 1461), Stainless Steel (SS304-SS316)

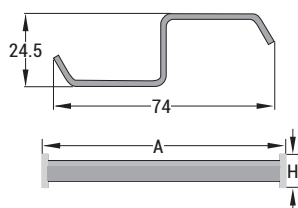
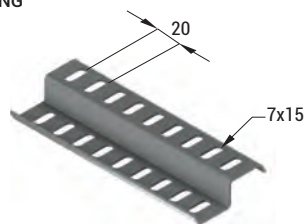


ID

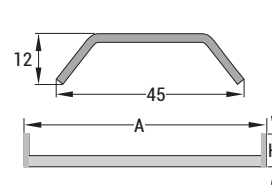
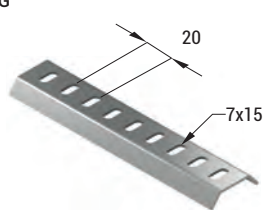


Description	H (mm)	A (mm)	T (mm)	Z RUNG		V RUNG		Z RUNG		V RUNG	
				Weight (kg/set)	HDG Code	Weight (kg/set)	HDG Code	Weight (kg/set)	SS Code	Weight (kg/set)	SS Code
040 KMA-M-(Z/V) 100 ID	40	100	4	1,788	3180070	1,603	3195967	1,655	3344022	1,484	3344226
040 KMA-M-(Z/V) 150 ID	40	150	4	2,015	3180071	1,728	3195968	1,866	3344023	1,600	3344227
040 KMA-M-(Z/V) 200 ID	40	200	4	2,230	3180072	1,854	3195969	2,065	3344024	1,716	3344228
040 KMA-M-(Z/V) 250 ID	40	250	4	2,461	3180073	1,979	3195970	2,279	3344025	1,832	3344229
040 KMA-M-(Z/V) 300 ID	40	300	4	2,675	3180074	2,104	3195971	2,477	3344026	1,949	3344230
040 KMA-M-(Z/V) 350 ID	40	350	4	2,903	3180075	2,230	3195972	2,688	3344027	2,065	3344231
040 KMA-M-(Z/V) 400 ID	40	400	4	3,117	3180076	2,352	3195973	2,887	3344028	2,178	3344232
040 KMA-M-(Z/V) 450 ID	40	450	4	3,348	3180077	2,481	3195974	3,101	3344029	2,297	3344233
040 KMA-M-(Z/V) 500 ID	40	500	4	3,563	3180078	2,603	3195975	3,299	3344030	2,410	3344234
040 KMA-M-(Z/V) 550 ID	40	550	4	3,791	3180079	2,731	3195976	3,510	3344031	2,529	3344235
040 KMA-M-(Z/V) 600 ID	40	600	4	4,005	3180080	2,853	3195977	3,709	3344032	2,642	3344236
040 KMA-M-(Z/V) 650 ID	40	650	4	4,236	3180081	2,982	3195978	3,923	3344033	2,761	3344237
040 KMA-M-(Z/V) 700 ID	40	700	4	4,451	3180082	3,104	3195979	4,121	3344034	2,874	3344238
040 KMA-M-(Z/V) 750 ID	40	750	4	4,682	3180083	3,233	3195980	4,335	3344035	2,994	3344239
050 KMA-M-(Z/V) 100 ID	50	100	5	2,599	3180084	2,421	3195981	2,407	3344036	2,242	3344240
050 KMA-M-(Z/V) 150 ID	50	150	5	2,830	3180085	2,550	3195982	2,621	3344037	2,361	3344241
050 KMA-M-(Z/V) 200 ID	50	200	5	3,045	3180086	2,672	3195983	2,819	3344038	2,474	3344242
050 KMA-M-(Z/V) 250 ID	50	250	5	3,276	3180087	2,801	3195984	3,033	3344039	2,593	3344243
050 KMA-M-(Z/V) 300 ID	50	300	5	3,490	3180088	2,923	3195985	3,232	3344040	2,706	3344244
050 KMA-M-(Z/V) 350 ID	50	350	5	3,718	3180089	3,051	3195986	3,443	3344041	2,826	3344245
050 KMA-M-(Z/V) 400 ID	50	400	5	3,933	3180090	3,174	3195987	3,641	3344042	2,939	3344246
050 KMA-M-(Z/V) 450 ID	50	450	5	4,164	3180091	3,299	3195988	3,855	3344043	3,055	3344247
050 KMA-M-(Z/V) 500 ID	50	500	5	4,378	3180092	3,424	3195989	4,054	3344044	3,171	3344248
050 KMA-M-(Z/V) 550 ID	50	550	5	4,606	3180093	3,550	3195990	4,265	3344045	3,287	3344249
050 KMA-M-(Z/V) 600 ID	50	600	5	4,820	3180094	3,675	3195991	4,464	3344046	3,403	3344250
050 KMA-M-(Z/V) 650 ID	50	650	5	5,051	3180095	3,801	3195992	4,677	3344047	3,519	3344251
050 KMA-M-(Z/V) 700 ID	50	700	5	5,266	3180096	3,923	3195993	4,876	3344048	3,632	3344252
050 KMA-M-(Z/V) 750 ID	50	750	5	5,493	3180097	4,051	3195994	5,087	3344049	3,752	3344253

Z RUNG



V RUNG



- Please indicate order code in your orders.
- Please contact us for special dimensions.
- Material weights may vary by $\pm 10\%$

• All dimensions are given as in mm.

- SS= Stainless Steel
- HDG= Hot Dip Galvanized

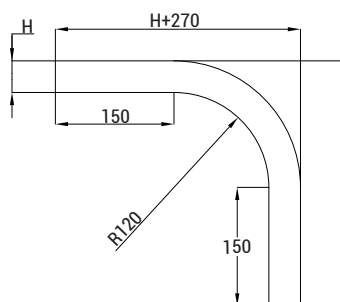
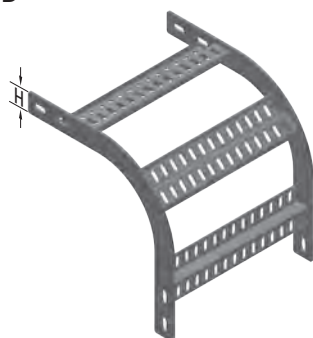
MARINE TYPE CABLE TRAY SYSTEMS

Marine Type Cable Ladders Vertical Outside Bend

Hot Dip Galvanized (TS EN ISO 1461), Stainless Steel (SS304-SS316)

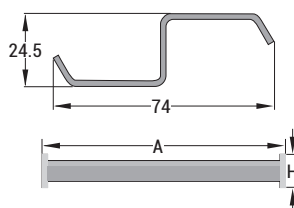
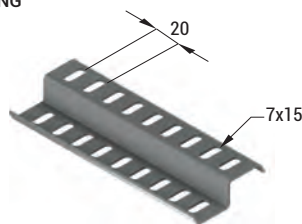


DD

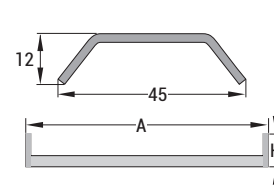
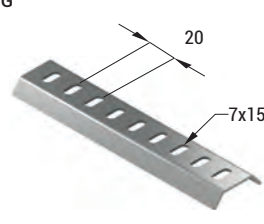


Description	H (mm)	A (mm)	T (mm)	Z RUNG		V RUNG		Z RUNG		V RUNG	
				Weight (kg/set)	HDG Code	Weight (kg/set)	HDG Code	Weight (kg/set)	SS Code	Weight (kg/set)	SS Code
040 KMA-M-(Z/V) 100 DD	40	100	4	1,788	3180098	1,603	3195995	1,655	3344050	1,484	3344254
040 KMA-M-(Z/V) 150 DD	40	150	4	2,015	3180099	1,728	3195996	1,866	3344051	1,600	3344255
040 KMA-M-(Z/V) 200 DD	40	200	4	2,230	3180100	1,854	3195997	2,065	3344052	1,716	3344256
040 KMA-M-(Z/V) 250 DD	40	250	4	2,461	3180101	1,979	3195998	2,279	3344053	1,832	3344257
040 KMA-M-(Z/V) 300 DD	40	300	4	2,675	3180102	2,104	3195999	2,477	3344054	1,949	3344258
040 KMA-M-(Z/V) 350 DD	40	350	4	2,903	3180103	2,230	3196000	2,688	3344055	2,065	3344259
040 KMA-M-(Z/V) 400 DD	40	400	4	3,117	3180104	2,352	3196001	2,887	3344056	2,178	3344260
040 KMA-M-(Z/V) 450 DD	40	450	4	3,348	3180105	2,481	3196002	3,101	3344057	2,297	3344261
040 KMA-M-(Z/V) 500 DD	40	500	4	3,563	3180106	2,603	3196003	3,299	3344058	2,410	3344262
040 KMA-M-(Z/V) 550 DD	40	550	4	3,791	3180107	2,731	3196004	3,510	3344059	2,529	3344263
040 KMA-M-(Z/V) 600 DD	40	600	4	4,005	3180108	2,853	3196005	3,709	3344060	2,642	3344264
040 KMA-M-(Z/V) 650 DD	40	650	4	4,236	3180109	2,982	3196006	3,923	3344061	2,761	3344265
040 KMA-M-(Z/V) 700 DD	40	700	4	4,451	3180110	3,104	3196007	4,121	3344062	2,874	3344266
040 KMA-M-(Z/V) 750 DD	40	750	4	4,682	3180111	3,233	3196008	4,335	3344063	2,994	3344267
050 KMA-M-(Z/V) 100 DD	50	100	5	2,599	3180112	2,421	3196009	2,407	3344064	2,242	3344268
050 KMA-M-(Z/V) 150 DD	50	150	5	2,830	3180113	2,550	3196010	2,621	3344065	2,361	3344269
050 KMA-M-(Z/V) 200 DD	50	200	5	3,045	3180114	2,672	3196011	2,819	3344066	2,474	3344270
050 KMA-M-(Z/V) 250 DD	50	250	5	3,276	3180115	2,801	3196012	3,033	3344067	2,593	3344271
050 KMA-M-(Z/V) 300 DD	50	300	5	3,490	3180116	2,923	3196013	3,232	3344068	2,706	3344272
050 KMA-M-(Z/V) 350 DD	50	350	5	3,718	3180117	3,051	3196014	3,443	3344069	2,826	3344273
050 KMA-M-(Z/V) 400 DD	50	400	5	3,933	3180118	3,174	3196015	3,641	3344070	2,939	3344274
050 KMA-M-(Z/V) 450 DD	50	450	5	4,164	3180119	3,299	3196016	3,855	3344071	3,055	3344275
050 KMA-M-(Z/V) 500 DD	50	500	5	4,378	3180120	3,424	3196017	4,054	3344072	3,171	3344276
050 KMA-M-(Z/V) 550 DD	50	550	5	4,606	3180121	3,550	3196018	4,265	3344073	3,287	3344277
050 KMA-M-(Z/V) 600 DD	50	600	5	4,820	3180122	3,675	3196019	4,464	3344074	3,403	3344278
050 KMA-M-(Z/V) 650 DD	50	650	5	5,051	3180123	3,801	3196020	4,677	3344075	3,519	3344279
050 KMA-M-(Z/V) 700 DD	50	700	5	5,266	3180124	3,923	3196021	4,876	3344076	3,632	3344280
050 KMA-M-(Z/V) 750 DD	50	750	5	5,493	3180125	4,051	3196022	5,087	3344077	3,752	3344281

Z RUNG



V RUNG



- Please indicate order code in your orders.
- Please contact us for special dimensions.
- Material weights may vary by $\pm 10\%$

• All dimensions are given as in mm.

- SS= Stainless Steel
- HDG= Hot Dip Galvanized

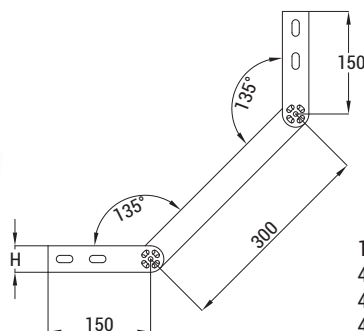
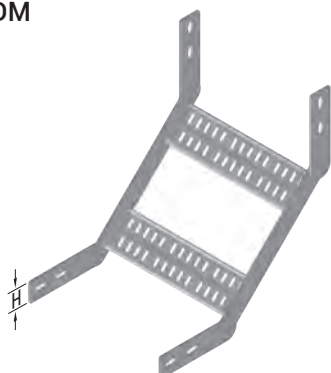
MARINE TYPE CABLE TRAY SYSTEMS

Marine Type Cable Ladders Adaptation Bend

Hot Dip Galvanized (TS EN ISO 1461), Stainless Steel (SS304-SS316)



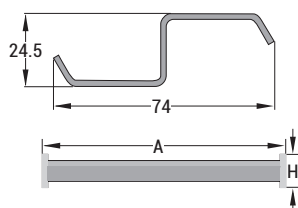
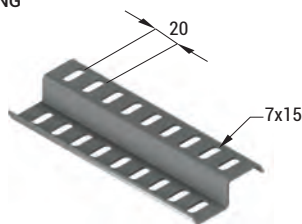
SDM



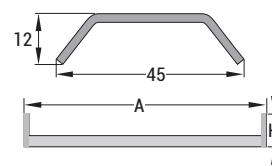
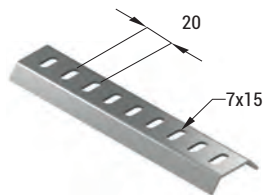
1 pcs. KMA-M SDM;
4 pcs. Level Adaptation Bend,
4 pcs. M6x20 Bolts,
4 pcs. M6 Nuts shall be ordered.

Description	H (mm)	A (mm)	T (mm)	Z RUNG		V RUNG		Z RUNG		V RUNG	
				Weight (kg/set)	HDG Code	Weight (kg/set)	HDG Code	Weight (kg/set)	SS Code	Weight (kg/set)	SS Code
040 KMA-M-(Z/V) SDM 100	40	100	4	2,198	3194254	2,075	3196242	2,035	3344078	1,921	3344282
040 KMA-M-(Z/V) SDM 150	40	150	4	2,350	3194255	2,158	3196243	2,176	3344079	1,998	3344283
040 KMA-M-(Z/V) SDM 200	40	200	4	2,493	3194256	2,242	3196244	2,308	3344080	2,076	3344284
040 KMA-M-(Z/V) SDM 250	40	250	4	2,647	3194257	2,325	3196245	2,451	3344081	2,153	3344285
040 KMA-M-(Z/V) SDM 300	40	300	4	2,790	3194258	2,409	3196246	2,583	3344082	2,231	3344286
040 KMA-M-(Z/V) SDM 350	40	350	4	2,941	3194259	2,493	3196247	2,724	3344083	2,308	3344287
040 KMA-M-(Z/V) SDM 400	40	400	4	3,084	3194260	2,574	3196248	2,856	3344084	2,384	3344288
040 KMA-M-(Z/V) SDM 450	40	450	4	3,238	3194261	2,660	3196249	2,999	3344085	2,463	3344289
040 KMA-M-(Z/V) SDM 500	40	500	4	3,381	3194262	2,741	3196250	3,131	3344086	2,538	3344290
040 KMA-M-(Z/V) SDM 550	40	550	4	3,533	3194263	2,827	3196251	3,272	3344087	2,618	3344291
040 KMA-M-(Z/V) SDM 600	40	600	4	3,676	3194264	2,908	3196252	3,404	3344088	2,693	3344292
040 KMA-M-(Z/V) SDM 650	40	650	4	3,830	3194265	2,994	3196253	3,547	3344089	2,773	3344293
040 KMA-M-(Z/V) SDM 700	40	700	4	3,973	3194266	3,076	3196254	3,679	3344090	2,848	3344294
040 KMA-M-(Z/V) SDM 750	40	750	4	4,127	3194267	3,161	3196255	3,822	3344091	2,927	3344295
050 KMA-M-(Z/V) SDM 100	50	100	5	2,651	3194268	2,532	3196256	2,455	3344092	2,345	3344296
050 KMA-M-(Z/V) SDM 150	50	150	5	2,805	3194269	2,618	3196257	2,597	3344093	2,424	3344297
050 KMA-M-(Z/V) SDM 200	50	200	5	2,948	3194270	2,699	3196258	2,730	3344094	2,500	3344298
050 KMA-M-(Z/V) SDM 250	50	250	5	3,102	3194271	2,785	3196259	2,872	3344095	2,579	3344299
050 KMA-M-(Z/V) SDM 300	50	300	5	3,245	3194272	2,867	3196260	3,005	3344096	2,654	3344300
050 KMA-M-(Z/V) SDM 350	50	350	5	3,397	3194273	2,952	3196261	3,145	3344097	2,734	3344301
050 KMA-M-(Z/V) SDM 400	50	400	5	3,540	3194274	3,034	3196262	3,278	3344098	2,809	3344302
050 KMA-M-(Z/V) SDM 450	50	450	5	3,694	3194275	3,117	3196263	3,420	3344099	2,887	3344303
050 KMA-M-(Z/V) SDM 500	50	500	5	3,837	3194276	3,201	3196264	3,553	3344100	2,964	3344304
050 KMA-M-(Z/V) SDM 550	50	550	5	3,989	3194277	3,285	3196265	3,693	3344101	3,042	3344305
050 KMA-M-(Z/V) SDM 600	50	600	5	4,132	3194278	3,368	3196266	3,826	3344102	3,119	3344306
050 KMA-M-(Z/V) SDM 650	50	650	5	4,286	3194279	3,452	3196267	3,968	3344103	3,196	3344307
050 KMA-M-(Z/V) SDM 700	50	700	5	4,429	3194280	3,533	3196268	4,101	3344104	3,272	3344308
050 KMA-M-(Z/V) SDM 750	50	750	5	4,580	3194281	3,619	3196269	4,241	3344105	3,351	3344309

Z RUNG



V RUNG



- Please indicate order code in your orders.
- Please contact us for special dimensions.
- Material weights may vary by ± 10%

• All dimensions are given as in mm.

- SS= Stainless Steel
- HDG= Hot Dip Galvanized

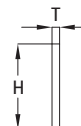
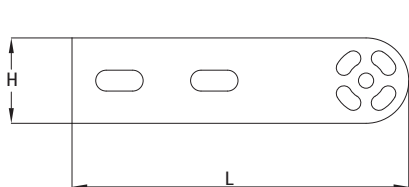
MARINE TYPE CABLE TRAY SYSTEMS

Marine Type Cable Level Adaptation Joint Set

Hot Dip Galvanized (TS EN ISO 1461), Stainless Steel (SS304-SS316)

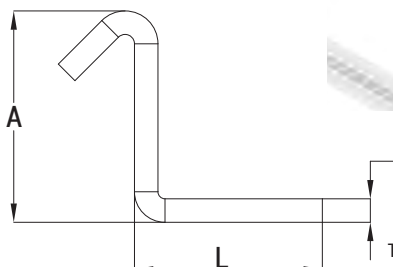
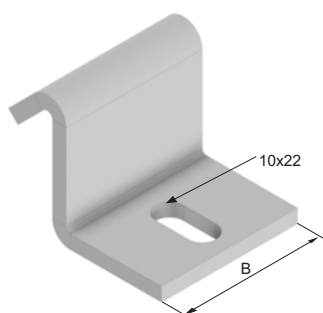
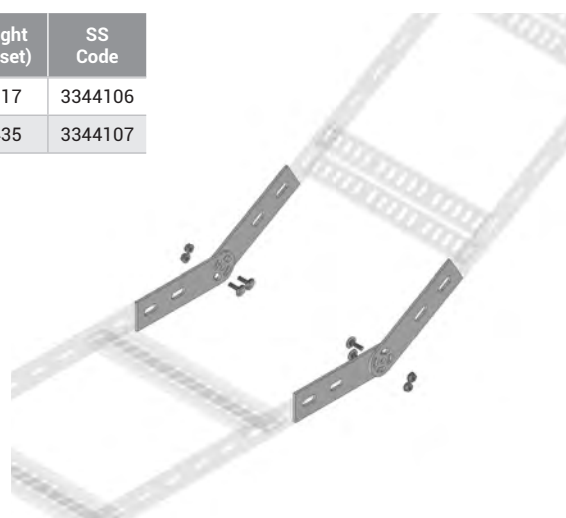


SDE



4 pcs. Level Adaptation Module,
4 pcs. M6x20 Bolts,
4 pcs. M6 Nuts contains.

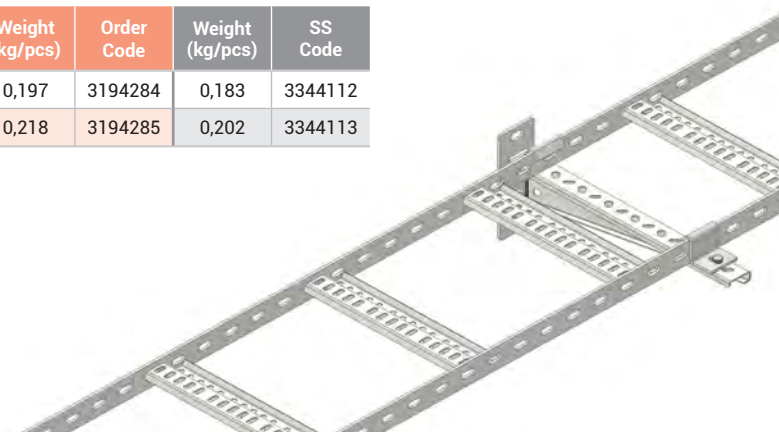
Description	H (mm)	T (mm)	L (mm)	Weight (kg/set)	Order Code	Weight (kg/set)	SS Code
040 KMA-M SDE	45	4	180	0,990	3194282	0,917	3344106
050 KMA-M SDE	55	5	180	1,549	3194283	1,435	3344107



Marine Type Cable Ladders Fixing Clamp

Hot Dip Galvanized (TS EN ISO 1461), Stainless Steel (SS304-SS316)

Description	A (mm)	B (mm)	L (mm)	T (mm)	Weight (kg/pcs)	Order Code	Weight (kg/pcs)	SS Code
040 KMA-M Fixing Clamp	40	50	40	5	0,197	3194284	0,183	3344112
050 KMA-M Fixing Clamp	50	50	40	5	0,218	3194285	0,202	3344113



- Please indicate order code in your orders.
- Please contact us for special dimensions.
- Material weights may vary by $\pm 10\%$

• All dimensions are given as in mm.

- SS= Stainless Steel
- HDG= Hot Dip Galvanized

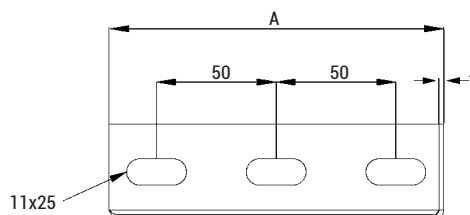
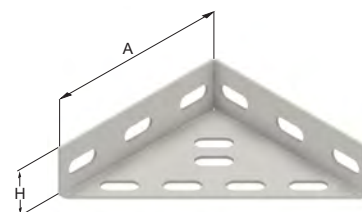
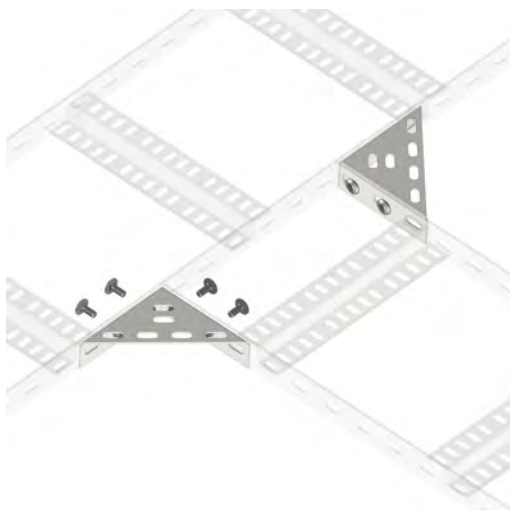
MARINE TYPE CABLE TRAY SYSTEMS

Marine Type Cable Ladders Corner Joint

Hot Dip Galvanized (TS EN ISO 1461), Stainless Steel (SS304-SS316)



Description	H (mm)	A (mm)	T (mm)	Weight (kg/set)	Order Code	Weight (kg/set)	SS Code
040 KMA-M YD-YT-AD Corner Joint	40	140	2	0,161	3180128	0,271	3344108
050 KMA-M YD-YT-AD Corner Joint	50	140	2,5	0,215	3180129	0,389	3344109



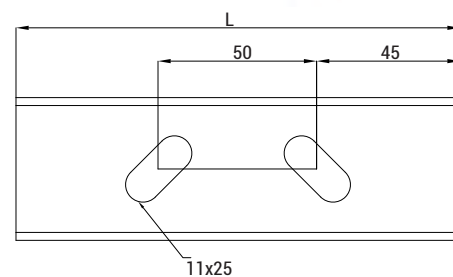
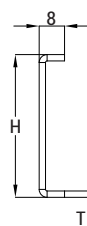
YD Converter	1 pcs
YT Converter	2 pcs
AD Converter	4 pcs

1 pcs. Corner Joint 4 pcs. M8x20 Bolts, 4 pcs. M8 Nut shall be ordered.

Marine Type Cable Ladders Joint Fitting

Hot Dip Galvanized (TS EN ISO 1461), Stainless Steel (SS304-SS316)

Description	H (mm)	L (mm)	T (mm)	Weight (kg/set)	Order Code	Weight (kg/set)	SS Code
H40 KMA-M Joint Fitting	40	140	2	0,127	3180126	0,121	3344110
H50 KMA-M Joint Fitting	50	140	2,5	0,187	3180127	0,179	3344111

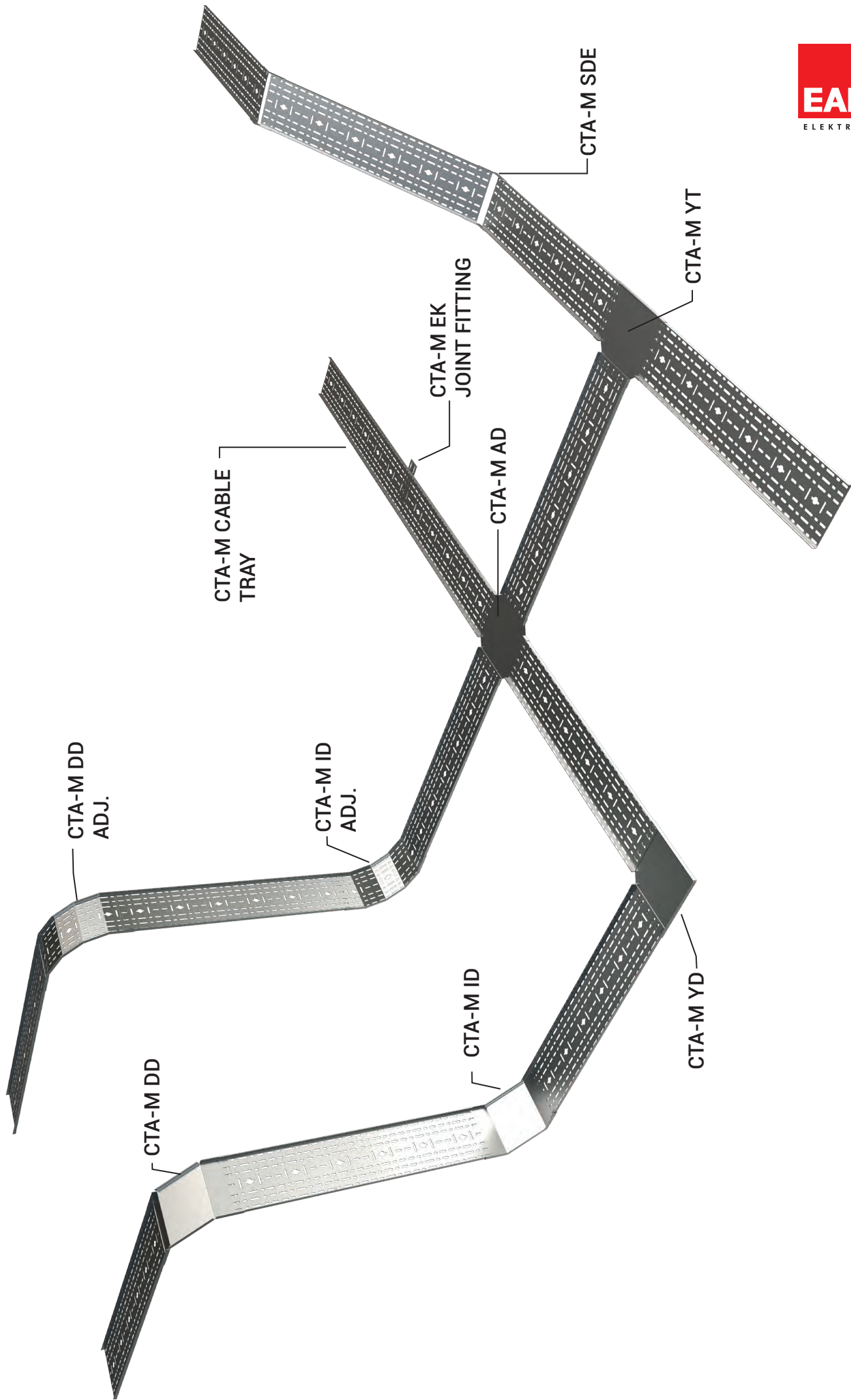


1 pcs. Joint Fitting Assembly ; 2 pcs. Joint Fitting Sheet, 4 pcs. M8x20 Bolts, 4 pcs. M8 Nut shall be ordered.

- Please indicate order code in your orders.
- Please contact us for special dimensions.
- Material weights may vary by $\pm 10\%$

• All dimensions are given as in mm.

- SS= Stainless Steel
- HDG= Hot Dip Galvanized



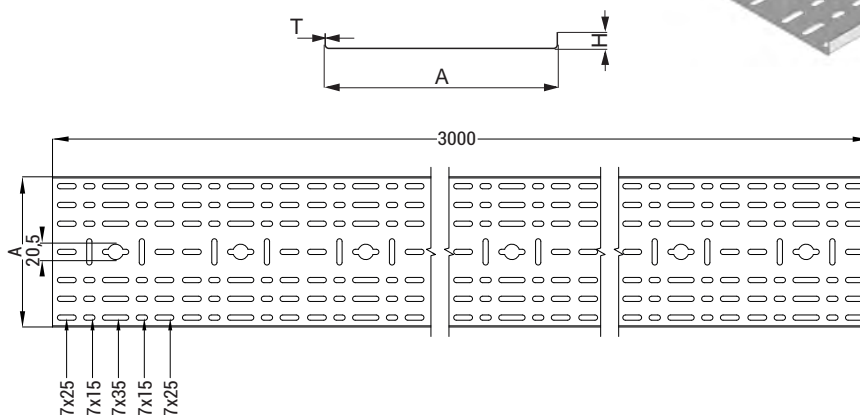
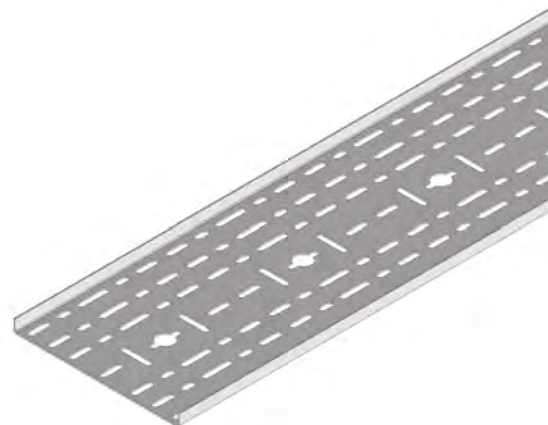
MARINE TYPE CABLE TRAY SYSTEMS

Marine Type Cable Trays

Hot Dip Galvanized (TS EN ISO 1461), Stainless Steel (SS304-SS316)



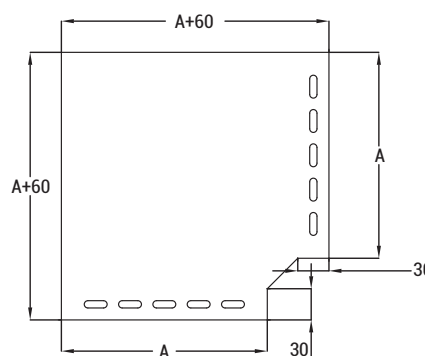
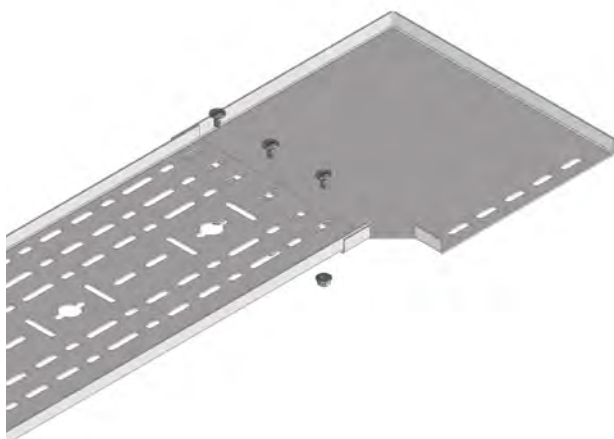
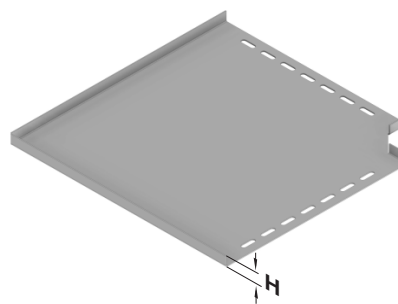
Description	H (mm)	A (mm)	T (mm)	Weight (kg/m)	Order Code	Weight (kg/m)	SS Code
15 CTA-M 050	15	50	1	0,559	3192915	0,517	3344310
15 CTA-M 070	15	70	1	0,770	3192921	0,713	3344311
15 CTA-M 100	15	100	1	0,952	3192922	0,881	3344312
15 CTA-M 150	15	150	1,5	1,935	3192923	1,792	3344313
15 CTA-M 200	15	200	1,5	2,466	3192924	2,284	3344314
15 CTA-M 300	15	300	1,5	3,527	3192925	3,266	3344315



Marine Type Horizontal Bend (90°)

Hot Dip Galvanized (TS EN ISO 1461), Stainless Steel (SS304-SS316)

Description	H (mm)	A (mm)	T (mm)	Weight (kg/pcs)	Order Code	Weight (kg/pcs)	SS Code
050 CTA-M YD	15	50	1	0,109	3192932	0,101	3344322
070 CTA-M YD	15	70	1	0,154	3192933	0,143	3344323
100 CTA-M YD	15	100	1	0,232	3192934	0,215	3344324
150 CTA-M YD	15	150	1,5	0,608	3192935	0,563	3344325
200 CTA-M YD	15	200	1,5	0,924	3192936	0,856	3344326
300 CTA-M YD	15	300	1,5	1,756	3192937	1,626	3344327



- Please indicate order code in your orders.
- Please contact us for special dimensions.
- Material weights may vary by $\pm 10\%$

• All dimensions are given as in mm.

- SS= Stainless Steel
- HDG= Hot Dip Galvanized

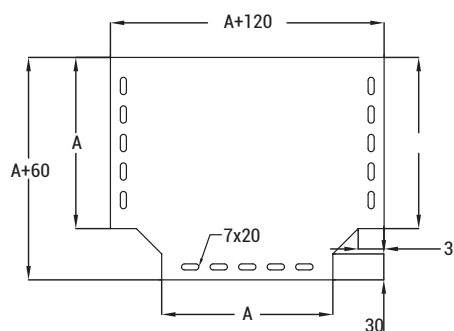
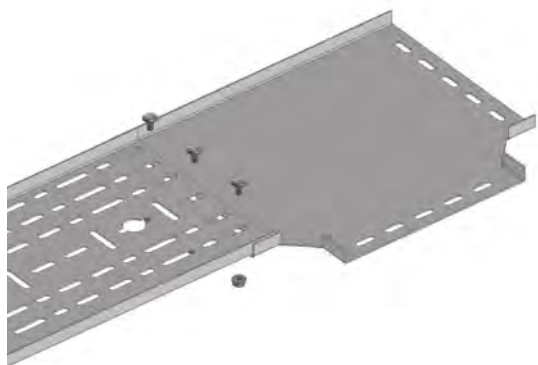
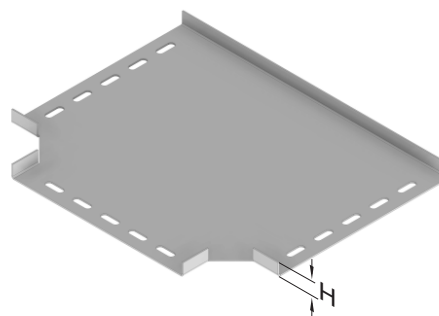
MARINE TYPE CABLE TRAY SYSTEMS

Marine Type YT Tee Bend

Hot Dip Galvanized (TS EN ISO 1461), Stainless Steel (SS304-SS316)



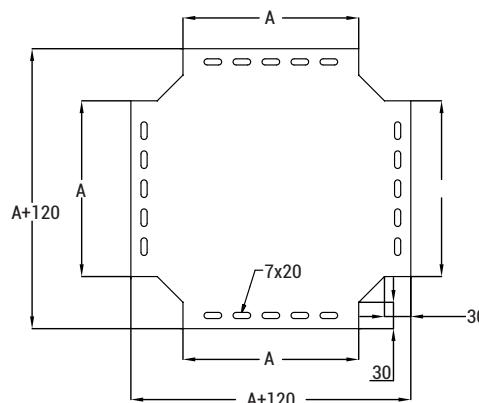
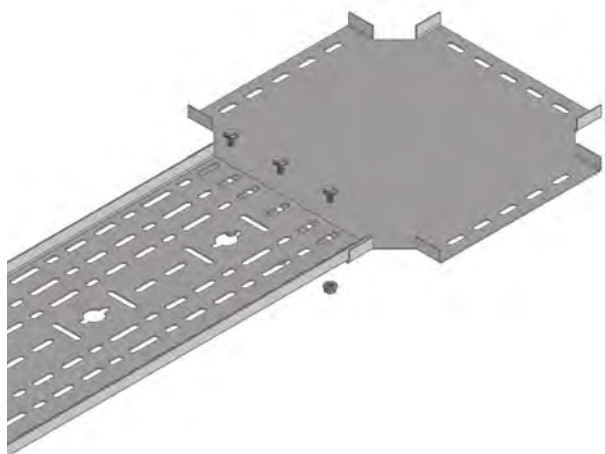
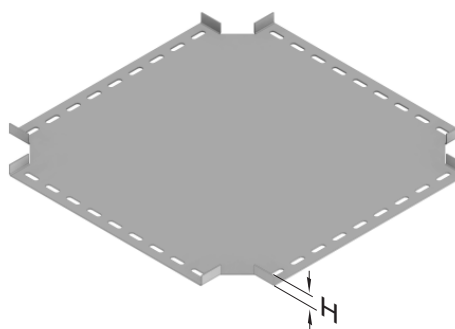
Description	H (mm)	A (mm)	T (mm)	Weight (kg/pcs)	Order Code	Weight (kg/pcs)	SS Code
050 CTA-M YT	15	50	1	0,135	3192938	0,125	3344316
070 CTA-M YT	15	70	1	0,189	3192939	0,175	3344317
100 CTA-M YT	15	100	1	0,275	3192940	0,255	3344318
150 CTA-M YT	15	150	1,5	0,697	3192941	0,646	3344319
200 CTA-M YT	15	200	1,5	1,037	3192942	0,961	3344320
300 CTA-M YT	15	300	1,5	1,920	3192943	1,777	3344321



Marine Type AD Cross Over Bend

Hot Dip Galvanized (TS EN ISO 1461), Stainless Steel (SS304-SS316)

Description	H (mm)	A (mm)	T (mm)	Weight (kg/pcs)	Order Code	Weight (kg/pcs)	SS Code
050 CTA-M AD	15	50	1	0,163	3192926	0,151	3344328
070 CTA-M AD	15	70	1	0,224	3192927	0,208	3344329
100 CTA-M AD	15	100	1	0,321	3192928	0,297	3344330
150 CTA-M AD	15	150	1,5	0,795	3192929	0,736	3344331
200 CTA-M AD	15	200	1,5	1,162	3192930	1,076	3344332
300 CTA-M AD	15	300	1,5	2,103	3192931	1,948	3344333



- Please indicate order code in your orders.
- Please contact us for special dimensions.
- Material weights may vary by $\pm 10\%$

• All dimensions are given as in mm.

- SS= Stainless Steel
- HDG= Hot Dip Galvanized

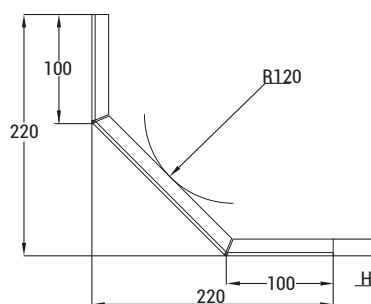
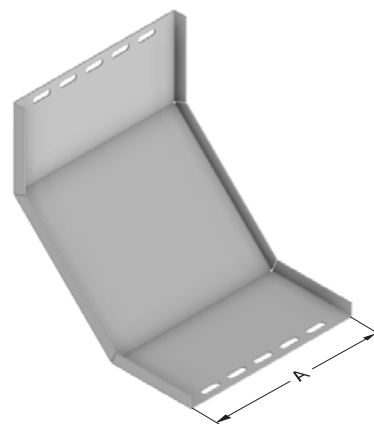
MARINE TYPE CABLE TRAY SYSTEMS

Marine Type Vertical Inside Bend (90°) R=120

Hot Dip Galvanized (TS EN ISO 1461), Stainless Steel (SS304-SS316)



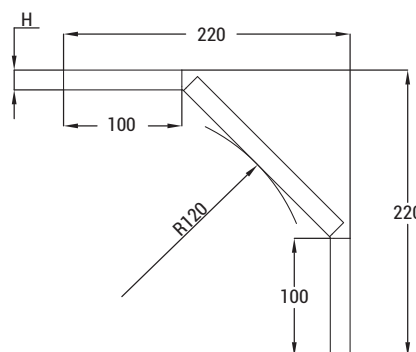
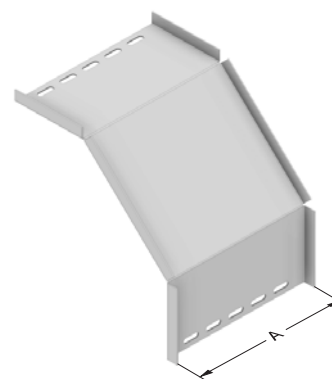
Description	H (mm)	A (mm)	T (mm)	Weight (kg/pcs)	Order Code	Weight (kg/pcs)	SS Code
050 CTA-M ID	15	50	1	0,248	3194240	0,229	3344334
070 CTA-M ID	15	70	1	0,312	3194241	0,289	3344335
100 CTA-M ID	15	100	1	0,404	3194242	0,374	3344336
150 CTA-M ID	15	150	1,5	0,853	3194243	0,789	3344337
200 CTA-M ID	15	200	1,5	1,087	3194244	1,006	3344338
300 CTA-M ID	15	300	1,5	1,563	3194245	1,447	3344339



Marine Type Vertical Outside Bend (90°) R=120

Hot Dip Galvanized (TS EN ISO 1461), Stainless Steel (SS304-SS316)

Description	H (mm)	A (mm)	T (mm)	Weight (kg/pcs)	Order Code	Weight (kg/pcs)	SS Code
050 CTA-M 050 DD90	15	50	1	0,260	3194234	0,240	3344340
070 CTA-M 070 DD90	15	70	1	0,325	3194235	0,300	3344341
100 CTA-M 100 DD90	15	100	1	0,417	3194236	0,386	3344342
150 CTA-M 150 DD90	15	150	1,5	0,861	3194237	0,798	3344343
200 CTA-M 200 DD90	15	200	1,5	1,096	3194238	1,015	3344344
300 CTA-M 300 DD90	15	300	1,5	1,572	3194239	1,456	3344345



- Please indicate order code in your orders.
- Please contact us for special dimensions.
- Material weights may vary by ± 10%

• All dimensions are given as in mm.

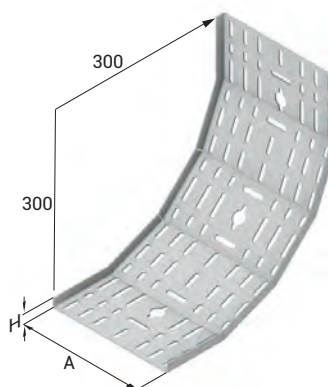
- SS= Stainless Steel
- HDG= Hot Dip Galvanized

MARINE TYPE CABLE TRAY SYSTEMS

Marine Type Adjustable Concave Bend

Hot Dip Galvanized (TS EN ISO 1461), Stainless Steel (SS304-SS316)

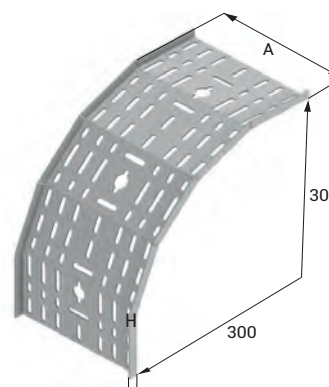
Description	H (mm)	A (mm)	T (mm)	Weight (kg/pcs)	Order Code	Weight (kg/pcs)	SS Code
050 CTA-M ID AK.	15	50	1	0,308	3194246	0,285	3344346
070 CTA-M ID AK.	15	70	1	0,395	3194247	0,366	3344347
100 CTA-M ID AK.	15	100	1	0,485	3194248	0,449	3344348
150 CTA-M ID AK.	15	150	1,5	0,982	3194249	0,910	3344349
200 CTA-M ID AK.	15	200	1,5	1,249	3194250	1,156	3344350
300 CTA-M ID AK.	15	300	1,5	1,781	3194251	1,649	3344351



Marine Type Adjustable Concave Bend

Hot Dip Galvanized (TS EN ISO 1461), Stainless Steel (SS304-SS316)

Description	H (mm)	A (mm)	T (mm)	Weight (kg/pcs)	Order Code	Weight (kg/pcs)	SS Code
050 CTA-M DD AK.	15	50	1	0,309	3194246	0,287	3344346
070 CTA-M DD AK.	15	70	1	0,396	3194247	0,367	3344347
100 CTA-M DD AK.	15	100	1	0,486	3194248	0,451	3344348
150 CTA-M DD AK.	15	150	1,5	0,985	3194249	0,913	3344349
200 CTA-M DD AK.	15	200	1,5	1,251	3194250	1,159	3344350
300 CTA-M DD AK.	15	300	1,5	1,783	3194251	1,653	3344351



- Please indicate order code in your orders.
- Please contact us for special dimensions.
- Material weights may vary by $\pm 10\%$

• All dimensions are given as in mm.

- SS= Stainless Steel
- HDG= Hot Dip Galvanized

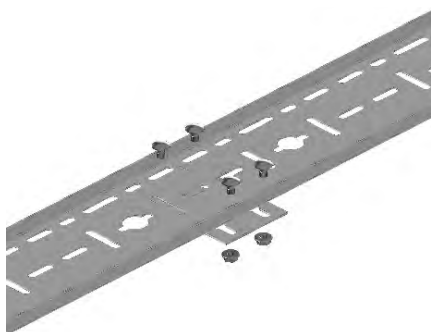
MARINE TYPE CABLE TRAY SYSTEMS

Marine Type Cable Tray Systems Joint Fitting

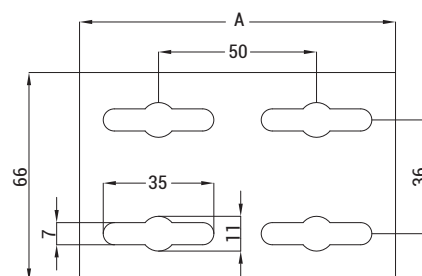
Hot Dip Galvanized (TS EN ISO 1461), Stainless Steel (SS304-SS316)



Description	A (mm)	T (mm)	Weight (kg/set)	Order Code	Weight (kg/pcs)	SS Code
050 CTA-M Joint Fitting	50	2	0,048	3194286	0,045	3344353
050 CTA-M Joint Fitting	70	2	0,048	3194287	0,045	3344354
100 CTA-M Joint Fitting	100	2	0,096	3194288	0,089	3344355
150 CTA-M Joint Fitting	150	2	0,144	3194289	0,133	3344356
200 CTA-M Joint Fitting	200	2	0,193	3194290	0,178	3344357
300 CTA-M Joint Fitting	300	2	0,288	3194291	0,267	3344358



	M6x12 (Number of bolts set)
CTA-M 50/70	2
CTA-M 100	4
CTA-M 150	4
CTA-M 200	6
CTA-M 300	6

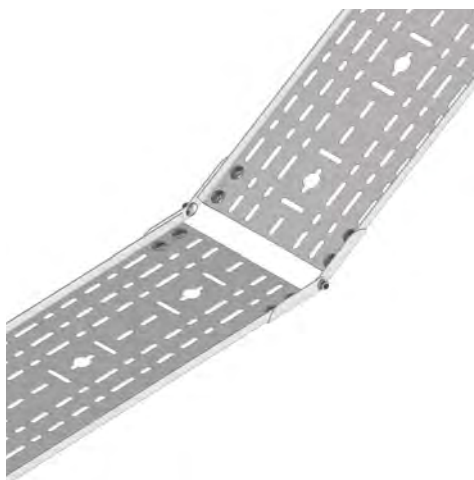


Indicate the number of bolts and nuts set from the table.

Marine Type Cable Tray Level Adaptation Joint Set

Hot Dip Galvanized (TS EN ISO 1461), Stainless Steel (SS304-SS316)

Description	T (mm)	Weight (kg/set)	Order Code	Weight (kg/pcs)	SS Code
CTA-M SDE	1,5	0,195	3194252	0,180	3344352



1 Units of SDE includes; 4 units of SDM,5 units M6x12 Bolts, 5 units M6 Nuts.

- Please indicate order code in your orders.
- Please contact us for special dimensions.
- Material weights may vary by $\pm 10\%$

• All dimensions are given as in mm.

- SS= Stainless Steel
- HDG= Hot Dip Galvanized

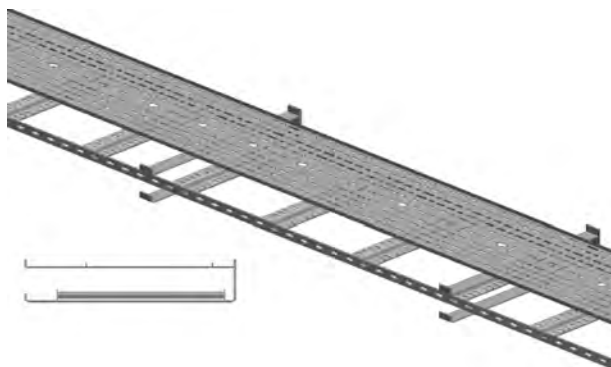
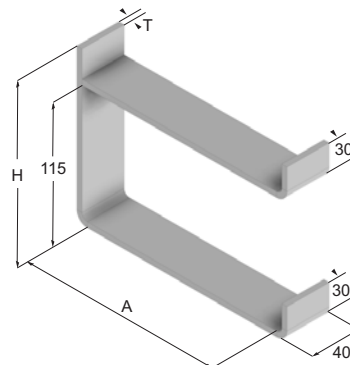
MARINE TYPE CABLE TRAY SYSTEMS

Marine Type F Bracket

Hot Dip Galvanized (TS EN ISO 1461), Stainless Steel (SS304-SS316)



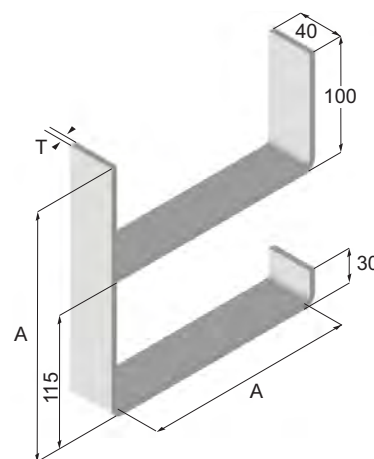
Description	H (mm)	A (mm)	T (mm)	Weight (kg/pcs)	Order Code	Weight (kg/pcs)	SS Code
F-100	145	100	5	0,666	3194292	0,617	3344359
F-150	145	150	5	0,838	3194293	0,777	3344360
F-200	145	200	5	1,011	3194294	0,937	3344361
F-300	145	300	5	1,356	3194295	1,257	3344362
F-400	145	400	5	1,702	3194296	1,577	3344363
F-500	145	500	5	2,047	3194297	1,898	3344364
F-600	145	600	5	2,393	3194298	2,218	3344365



Marine Type Long F Bracket

Hot Dip Galvanized (TS EN ISO 1461), Stainless Steel (SS304-SS316)

Description	H (mm)	A (mm)	T (mm)	Weight (kg/pcs)	Order Code	Weight (kg/pcs)	SS Code
FU-100	215	100	5	0,923	3194299	0,856	3344366
FU-150	215	150	5	1,096	3194300	1,016	3344367
FU-200	215	200	5	1,268	3194301	1,176	3344368
FU-300	215	300	5	1,614	3194302	1,496	3344369
FU-400	215	400	5	1,959	3194303	1,816	3344370
FU-500	215	500	5	2,305	3194304	2,136	3344371
FU-600	215	600	5	2,650	3194305	2,456	3344372



- Please indicate order code in your orders.
- Please contact us for special dimensions.
- Material weights may vary by $\pm 10\%$

• All dimensions are given as in mm.

- SS= Stainless Steel
- HDG= Hot Dip Galvanized

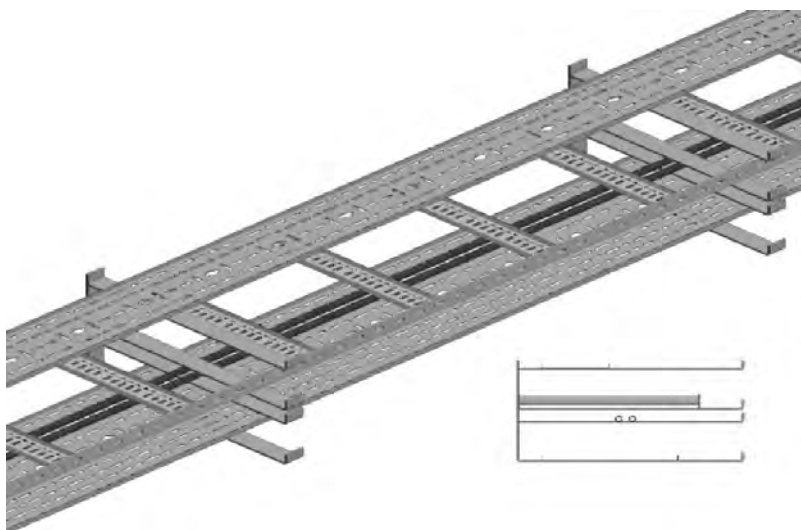
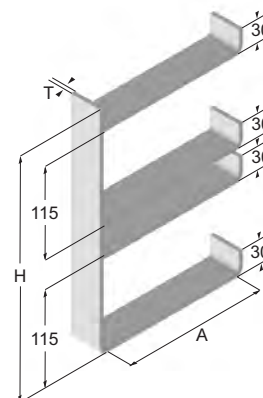
MARINE TYPE CABLE TRAY SYSTEMS

Marine Type E Bracket

Hot Dip Galvanized (TS EN ISO 1461), Stainless Steel (SS304-SS316)



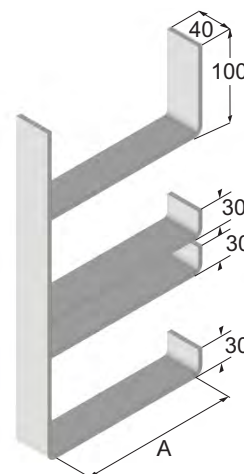
Description	H (mm)	A (mm)	T (mm)	Weight (kg/pcs)	Order Code	Weight (kg/pcs)	SS Code
E-100	300	100	5	1,318	3194306	1,222	3344373
E-150	300	150	5	1,665	3194307	1,544	3344374
E-200	300	200	5	2,009	3194308	1,862	3344375
E-300	300	300	5	2,699	3194309	2,502	3344376
E-400	300	400	5	3,390	3194310	3,143	3344377
E-500	300	500	5	4,081	3194311	3,783	3344378
E-600	300	600	5	4,772	3194312	4,423	3344379



Marine Type Long F Bracket

Hot Dip Galvanized (TS EN ISO 1461), Stainless Steel (SS304-SS316)

Description	H (mm)	A (mm)	T (mm)	Weight (kg/pcs)	Order Code	Weight (kg/pcs)	SS Code
EU-100	370	100	5	1,593	3194313	1,477	3344380
EU-150	370	150	5	1,943	3194314	1,801	3344381
EU-200	370	200	5	2,286	3194315	2,119	3344382
EU-300	370	300	5	2,977	3194316	2,759	3344383
EU-400	370	400	5	3,667	3194317	3,400	3344384
EU-500	370	500	5	4,358	3194318	4,040	3344385
EU-600	370	600	5	5,093	3194319	4,721	3344386



- Please indicate order code in your orders.
- Please contact us for special dimensions.
- Material weights may vary by $\pm 10\%$

• All dimensions are given as in mm.

- SS= Stainless Steel
- HDG= Hot Dip Galvanized

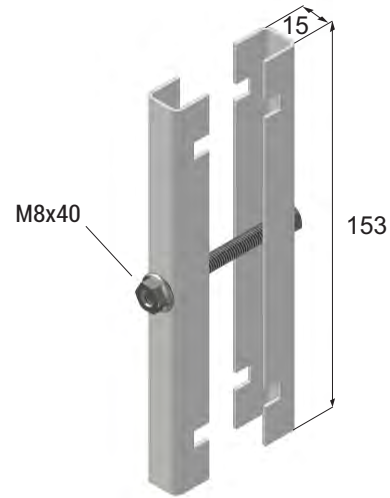
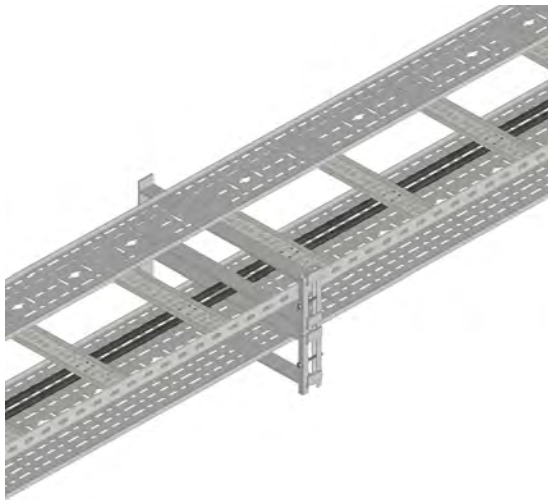
MARINE TYPE CABLE TRAY SYSTEMS

Marine Type E-F Brackets Clamps

Hot Dip Galvanized (TS EN ISO 1461), Stainless Steel (SS304-SS316)



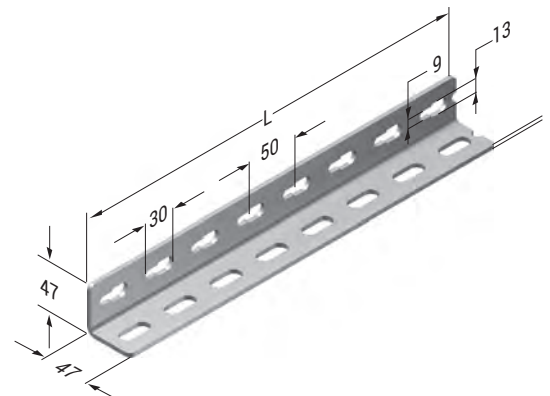
Description	H (mm)	T (mm)	Weight (kg/set)	Order Code	Weight (kg/set)	SS Code
E-F Brackets Clamps	-	1,5	0,178	3194416	0,165	3344438



Tray Supports with Rod System

Hot Dip Galvanized (TS EN ISO 1461), Stainless Steel (SS304-SS316)

Açıklama	T (mm)	L (mm)	Weight (kg/set)	Order Code	Weight (kg/set)	SS Code
LP3 1000	3	1000	1,781	3004563	1,650	3359352
LP3 2000	3	2000	3,566	3004565	3,304	3359354
LP3 3000	3	3000	5,350	3004566	4,957	3359355
LP4 1000	4	1000	2,323	3004568	2,152	3359356
LP4 2000	4	2000	4,651	3004570	4,309	3359357
LP4 3000	4	3000	6,979	3004571	6,466	3359358



- Please indicate order code in your orders.
- Please contact us for special dimensions.
- Material weights may vary by $\pm 10\%$

• All dimensions are given as in mm.

- SS= Stainless Steel
- HDG= Hot Dip Galvanized

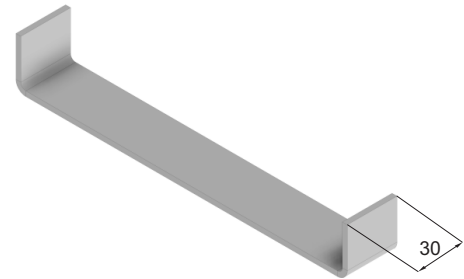
MARINE TYPE CABLE TRAY SYSTEMS

Marine Type E Bracket

Hot Dip Galvanized (TS EN ISO 1461), Stainless Steel (SS304-SS316)



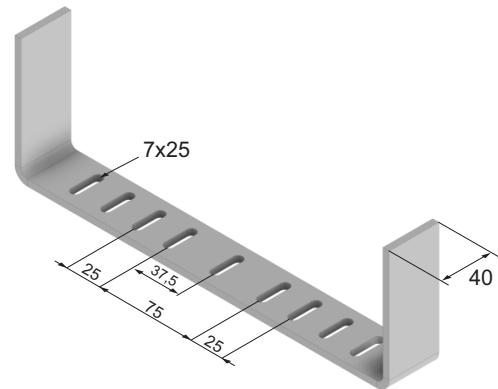
Description	A (mm)	H (mm)	T (mm)	Weight (kg/pcs)	Order Code	Weight (kg/pcs)	SS Code
U-100 30x3	100	30	3	0,117	3194320	0,108	3344387
U-200 30x3	200	30	3	0,195	3194321	0,180	3344388
U-300 30x3	300	30	3	0,272	3194322	0,252	3344389
U-400 30x3	400	30	3	0,350	3194323	0,324	3344390
U-500 30x3	500	30	3	0,428	3194324	0,397	3344391
U-600 30x3	600	30	3	0,505	3194325	0,468	3344392
U-100 30x5	100	30	5	0,186	3194326	0,172	3344393
U-200 30x5	200	30	5	0,316	3194327	0,293	3344394
U-300 30x5	300	30	5	0,446	3194328	0,413	3344395
U-400 30x5	400	30	5	0,574	3194329	0,532	3344396
U-500 30x5	500	30	5	0,704	3194330	0,653	3344397
U-600 30x5	600	30	5	0,834	3194331	0,773	3344398



Marine Type UD Brackets

Hot Dip Galvanized (TS EN ISO 1461), Stainless Steel (SS304-SS316)

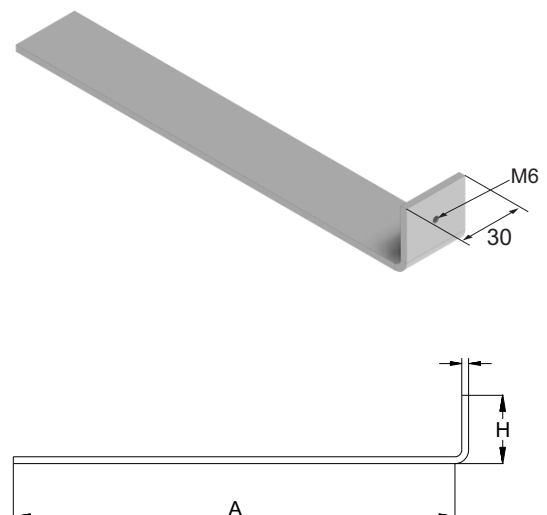
Description	A (mm)	H (mm)	T (mm)	Weight (kg/pcs)	Order Code	Weight (kg/pcs)	SS Code
UD 100-100	100	100	5	0,469	3194332	0,434	3344399
UD 100-200	200	100	5	0,627	3194333	0,581	3344400
UD 100-300	300	100	5	0,771	3194334	0,715	3344401
UD 100-400	400	100	5	0,926	3194335	0,859	3344402
UD 100-500	500	100	5	1,074	3194336	0,995	3344403
UD 100-600	600	100	5	1,227	3194337	1,137	3344404
UD 200-100	100	200	5	0,814	3194338	0,755	3344405
UD 200-200	200	200	5	0,970	3194339	0,899	3344406
UD 200-300	300	200	5	1,117	3194340	1,035	3344407
UD 200-400	400	200	5	1,272	3194341	1,179	3344408
UD 200-500	500	200	5	1,419	3194342	1,315	3344409
UD 200-600	600	200	5	1,572	3194343	1,457	3344410



Marine Type L Support

Hot Dip Galvanized (TS EN ISO 1461), Stainless Steel (SS304-SS316)

Description	A (mm)	H (mm)	T (mm)	Weight (kg/pcs)	Order Code	Weight (kg/pcs)	SS Code
L AYAK 30x3 100	100	30	3	0,097	3194344	0,090	3344411
L AYAK 30x3 150	150	30	3	0,136	3194345	0,126	3344412
L AYAK 30x3 200	200	30	3	0,175	3194346	0,162	3344413
L AYAK 30x3 300	300	30	3	0,253	3194347	0,235	3344414
L AYAK 30x3 400	400	30	3	0,330	3194348	0,306	3344415
L AYAK 30x3 500	500	30	3	0,408	3194349	0,378	3344416
L AYAK 30x3 600	600	30	3	0,486	3194350	0,451	3344417
L AYAK 30x5 100	100	30	5	0,157	3194351	0,146	3344418
L AYAK 30x5 150	150	30	5	0,222	3194352	0,206	3344419
L AYAK 30x5 200	200	30	5	0,287	3194353	0,266	3344420
L AYAK 30x5 300	300	30	5	0,417	3194354	0,386	3344421
L AYAK 30x5 400	400	30	5	0,546	3194355	0,506	3344422
L AYAK 30x5 500	500	30	5	0,675	3194356	0,626	3344423
L AYAK 30x5 600	600	30	5	0,805	3194357	0,746	3344424



- Please indicate order code in your orders.
- Please contact us for special dimensions.
- Material weights may vary by $\pm 10\%$

• All dimensions are given as in mm.

- SS= Stainless Steel
- HDG= Hot Dip Galvanized

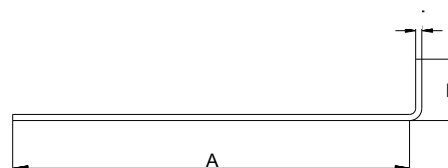
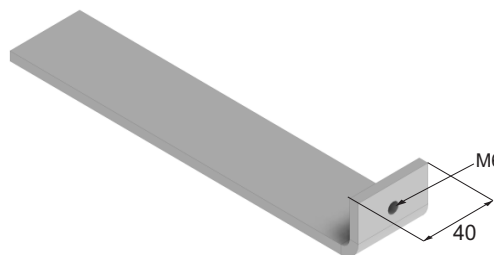
MARINE TYPE CABLE TRAY SYSTEMS

Marine Type E-F Brackets Clamps

Hot Dip Galvanized (TS EN ISO 1461), Stainless Steel (SS304-SS316)



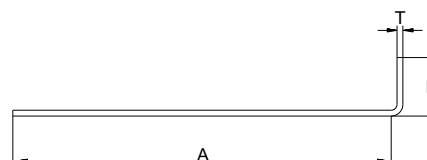
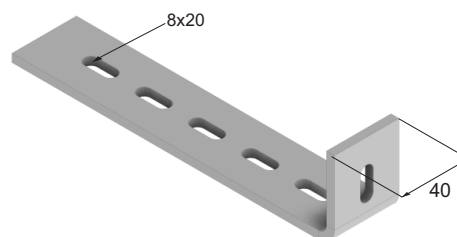
Description	H (mm)	A (mm)	T (mm)	Weight (kg/pcs)	Order Code	Weight (kg/pcs)	SS Code
PA-100	100	40	5	0,213	3194358	0,198	3344425
PA-200	200	40	5	0,382	3194359	0,354	3344426
PA-300	300	40	5	0,554	3194360	0,514	3344427
PA-400	400	40	5	0,727	3194361	0,674	3344428
PA-500	500	40	5	0,900	3194362	0,834	3344429
PA-600	600	40	5	1,073	3194363	0,994	3344430



Marine Type Perforated L Support

Hot Dip Galvanized (TS EN ISO 1461), Stainless Steel (SS304-SS316)

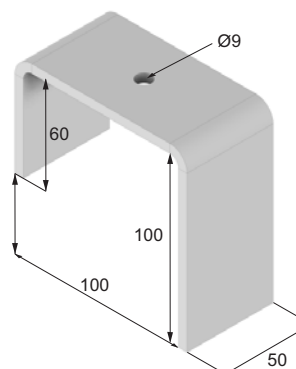
Description	A (mm)	H (mm)	T (mm)	Weight (kg/pcs)	Order Code	Weight (kg/pcs)	SS Code
DL-100	100	50	5	0,226	3194364	0,209	3344431
DL-150	150	50	5	0,299	3194365	0,277	3344432
DL-200	200	50	5	0,380	3194366	0,352	3344433
DL-300	300	50	5	0,534	3194367	0,495	3344434
DL-400	400	50	5	0,688	3194368	0,637	3344435
DL-500	500	50	5	0,840	3194369	0,779	3344436
DL-600	600	50	5	0,994	3194370	0,922	3344437



Marine Type Support For Lamp

Hot Dip Galvanized (TS EN ISO 1461), Stainless Steel (SS304-SS316)

Description	H (mm)	T (mm)	Weight (kg/pcs)	Order Code	Weight (kg/pcs)	SS Code
Support For Lamb	-	5	0,524	3194371	0,485	3344439



- Please indicate order code in your orders.
- Please contact us for special dimensions.
- Material weights may vary by $\pm 10\%$

• All dimensions are given as in mm.

- SS= Stainless Steel
- HDG= Hot Dip Galvanized

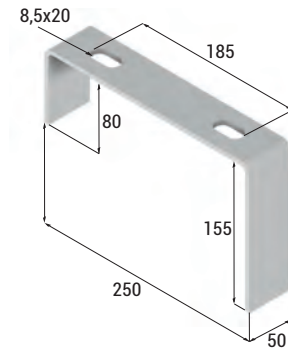
MARINE TYPE CABLE TRAY SYSTEMS

Marine Type Support For External Lamp

Hot Dip Galvanized (TS EN ISO 1461), Stainless Steel (SS304-SS316)



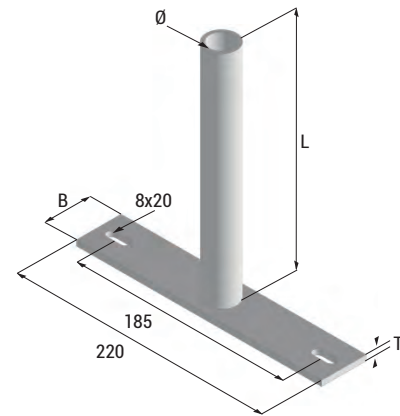
Description	H (mm)	T (mm)	Weight (kg/pcs)	Order Code	Weight (kg/pcs)	SS Code
Support For External Lamp	-	5	0,969	3194372	0,898	3344440



Marine Type Pipe Support 1 For Lamp

Hot Dip Galvanized (TS EN ISO 1461), Stainless Steel (SS304-SS316)

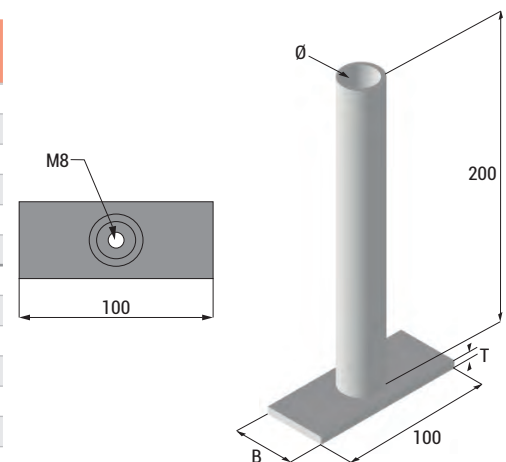
Description	Ø (inç)	L (mm)	B (mm)	T (mm)	Weight (kg/pcs)	Order Code	Weight (kg/pcs)	SS Code
BLA1 40-100	(3/4)	100	40	5	0,569	3194373	0,527	3344441
BLA1 40-200	(3/4)	200	40	5	0,757	3194374	0,702	3344442
BLA1 40-300	(3/4)	300	40	5	0,946	3194375	0,877	3344443
BLA1 40-400	(3/4)	400	40	5	1,135	3194376	1,052	3344444
BLA1 40-500	(3/4)	500	40	5	1,323	3194377	1,227	3344445
BLA1 40-600	(3/4)	600	40	5	1,513	3194378	1,402	3344446
BLA1 50-100	(3/4)	100	50	5	0,664	3194379	0,616	3344447
BLA1 50-200	(3/4)	200	50	5	0,853	3194380	0,790	3344448
BLA1 50-300	(3/4)	300	50	5	1,042	3194381	0,966	3344449
BLA1 50-400	(3/4)	400	50	5	1,231	3194382	1,141	3344450
BLA1 50-500	(3/4)	500	50	5	1,419	3194383	1,315	3344451
BLA1 50-600	(3/4)	600	50	5	1,608	3194384	1,491	3344452



Marine Type Pipe Support 2 For Lamp

Hot Dip Galvanized (TS EN ISO 1461), Stainless Steel (SS304-SS316)

Description	Ø (inç)	L (mm)	B (mm)	T (mm)	Weight (kg/pcs)	Order Code	Weight (kg/pcs)	SS Code
BLA2 40-100	(3/4)	100	40	5	0,362	3194385	0,335	3344453
BLA2 40-200	(3/4)	200	40	5	0,550	3194386	0,510	3344454
BLA2 40-300	(3/4)	300	40	5	0,739	3194387	0,685	3344455
BLA2 40-400	(3/4)	400	40	5	0,928	3194388	0,861	3344456
BLA2 40-500	(3/4)	500	40	5	1,117	3194389	1,035	3344457
BLA2 40-600	(3/4)	600	40	5	1,306	3194390	1,210	3344458
BLA2 50-100	(3/4)	100	50	5	0,405	3194391	0,375	3344459
BLA2 50-200	(3/4)	200	50	5	0,593	3194392	0,550	3344460
BLA2 50-300	(3/4)	300	50	5	0,782	3194393	0,725	3344461
BLA2 50-400	(3/4)	400	50	5	0,971	3194394	0,900	3344462
BLA2 50-500	(3/4)	500	50	5	1,159	3194395	1,075	3344463
BLA2 50-600	(3/4)	600	50	5	1,349	3194396	1,250	3344464



- Please indicate order code in your orders.
- Please contact us for special dimensions.
- Material weights may vary by $\pm 10\%$

• All dimensions are given as in mm.

- SS= Stainless Steel
- HDG= Hot Dip Galvanized

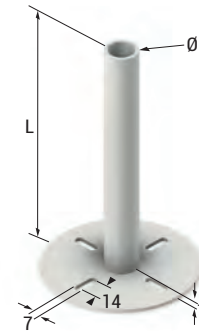
MARINE TYPE CABLE TRAY SYSTEMS

Marine Type Support For Alarm Button

Hot Dip Galvanized (TS EN ISO 1461), Stainless Steel (SS304-SS316)



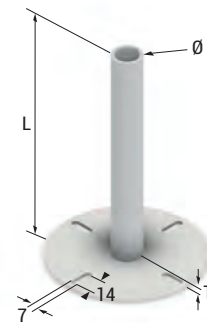
Description	Ø (inç)	L (mm)	T (mm)	Weight (kg/pcs)	Order Code	Weight (kg/pcs)	SS Code
DDA-100	(3/4)	100	3	0,425	3325706	0,393975	3344465
DDA-200	(3/4)	200	3	0,597	3325707	0,553419	3344466
DDA-300	(3/4)	300	3	0,769	3325708	0,712863	3344467
DDA-400	(3/4)	400	3	0,941	3325709	0,872307	3344468
DDA-500	(3/4)	500	3	1,113	3325710	1,031751	3344469
DDA-600	(3/4)	600	3	1,285	3325711	1,191195	3344470



Marine Type Support For Dedector

Hot Dip Galvanized (TS EN ISO 1461), Stainless Steel (SS304-SS316)

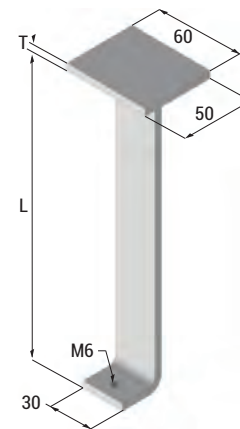
Description	Ø (inç)	L (mm)	T (mm)	Weight (kg/pcs)	Order Code	Weight (kg/pcs)	SS Code
DDA-100	(3/4)	100	3	0,546	3325713	0,506	3344472
DDA-200	(3/4)	200	3	0,735	3325714	0,681	3344473
DDA-300	(3/4)	300	3	0,924	3325712	0,857	3344474
DDA-400	(3/4)	400	3	1,113	3325715	1,032	3344475
DDA-500	(3/4)	500	3	1,302	3325716	1,207	3344476
DDA-600	(3/4)	600	3	1,492	3325717	1,383	3344477



Marine Type Hanging Support With Cap

Hot Dip Galvanized (TS EN ISO 1461), Stainless Steel (SS304-SS316)

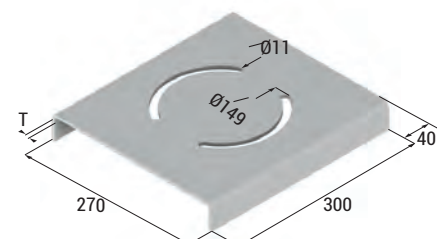
Description	L (mm)	T (mm)	Weight (kg/pcs)	Order Code	Weight (kg/pcs)	SS Code
SLA-100	100	5	0,286	3194409	0,265	3344478
SLA-200	200	5	0,416	3194410	0,385	3344479
SLA-300	300	5	0,546	3194411	0,506	3344480
SLA-400	400	5	0,675	3194412	0,626	3344481
SLA-500	500	5	0,804	3194413	0,745	3344482
SLA-600	600	5	0,934	3194414	0,866	3344483



Marine Type Support For External Lamp

Hot Dip Galvanized (TS EN ISO 1461), Stainless Steel (SS304-SS316)

Description	H (mm)	T (mm)	Weight (kg/pcs)	Order Code	Weight (kg/pcs)	SS Code
Rotary Reflector Support	40	5	4,159	3194415	3,855	3344471



- Please indicate order code in your orders.
- Please contact us for special dimensions.
- Material weights may vary by $\pm 10\%$

• All dimensions are given as in mm.

- SS= Stainless Steel
- HDG= Hot Dip Galvanized

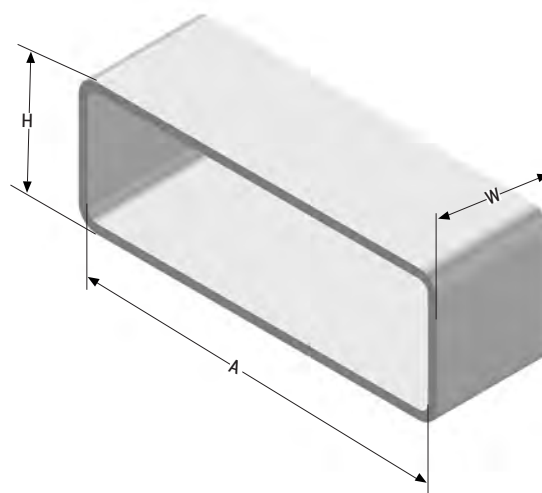
MARINE TYPE CABLE TRAY SYSTEMS

Menholes

Hot Dip Galvanized (TS EN ISO 1461), Stainless Steel (SS304-SS316)



Description	A (mm)	H (mm)	W (mm)	T (mm)	Weight (kg/pcs)	Order Code
100 MH 100 W-100	100	100	100	8	2,83	3382323
100 MH 150 W-100	150	100	100	8	3,52	3382324
100 MH 200 W-100	200	100	100	8	4,21	3382325
100 MH 250 W-100	250	100	100	8	4,90	3382326
100 MH 300 W-100	300	100	100	8	5,59	3382327
100 MH 400 W-100	400	100	100	8	6,97	3382328
100 MH 500 W-100	500	100	100	8	8,35	3382329
100 MH 600 W-100	600	100	100	8	9,73	3382330
100 MH 100 W-250	100	100	250	8	7,08	3382331
100 MH 150 W-250	150	100	250	8	8,81	3382332
100 MH 200 W-250	200	100	250	8	10,53	3382333
100 MH 250 W-250	250	100	250	8	12,26	3382334
100 MH 300 W-250	300	100	250	8	13,99	3382335
100 MH 400 W-250	400	100	250	8	17,44	3382336
100 MH 500 W-250	500	100	250	8	20,90	3382337
100 MH 600 W-250	600	100	250	8	24,35	3382338
120 MH 100 W-100	100	120	100	8	3,10	3382339
120 MH 150 W-100	150	120	100	8	3,79	3382340
120 MH 200 W-100	200	120	100	8	4,48	3382341
120 MH 250 W-100	250	120	100	8	5,18	3382342
120 MH 300 W-100	300	120	100	8	5,87	3382343
120 MH 400 W-100	400	120	100	8	7,25	3382344
120 MH 500 W-100	500	120	100	8	8,63	3382345
120 MH 600 W-100	600	120	100	8	10,01	3382346
120 MH 100 W-250	100	120	250	8	7,77	3382347
120 MH 150 W-250	150	120	250	8	9,50	3382348
120 MH 200 W-250	200	120	250	8	11,23	3382349
120 MH 250 W-250	250	120	250	8	12,95	3382350
120 MH 300 W-250	300	120	250	8	14,68	3382351
120 MH 400 W-250	400	120	250	8	18,13	3382352
120 MH 500 W-250	500	120	250	8	21,59	3382353
120 MH 600 W-250	600	120	250	8	25,04	3382354



- Please indicate order code in your orders.
- Please contact us for special dimensions.
- Material weights may vary by $\pm 10\%$

• All dimensions are given as in mm.

- SS= Stainless Steel
- HDG= Hot Dip Galvanized

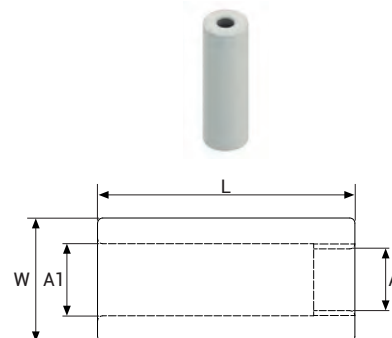
MARINE TYPE CABLE TRAY SYSTEMS

Marine Type Prop

Hot Dip Galvanized (TS EN ISO 1461), Stainless Steel (SS304-SS316)



Description	A (mm)	W (mm)	A1 (mm)	L (mm)	Weight (kg/pcs)	Order Code	SS304 Code	Weight (kg/pcs)	SS316 Code
Prop (M6x30)	M6	16	8	30	0,037	1054197	1054181	0,038	1054189
Prop (M6x50)	M6	16	8	50	0,061	1054198	1054182	0,062	1054190
Prop (M8x30)	M8	18	10	30	0,043	1054199	1054183	0,045	1054191
Prop (M8x50)	M8	18	10	50	0,071	1054200	1054184	0,074	1054192
Prop (M10x30)	M10	20	12	30	0,049	1054201	1054185	0,051	1054193
Prop (M10x50)	M10	20	12	50	0,081	1054202	1054186	0,084	1054194
Prop (M12x30)	M12	24	14	30	0,072	1054203	1054187	0,075	1054195
Prop (M12x50)	M12	24	14	50	0,119	1054204	1054188	0,124	1054196



Marine Type Support For External Lamp

Description	Weight (kg/m)	Order Code	Weight (kg/pcs)	SS Code A2	SS Code A4
Bolt Set M6x12	0,009	1004314	0,009	1014018	1044413

1 Set bolt ,Contains 1 unit M6x12 dished head bolt + 1 unit M6 flanged nut.



Cable Ladders Bolt Set

Description	Weight (kg/m)	Order Code	Weight (kg/pcs)	SS Code A2	SS Code A4
Bolt Set M6x20	0,012	1002984	0,012	1000923	1065309

1 Set bolt ,Contains 1 unit M6x20 dished head bolt + 1 unit M8 flanged nut.



Cable Ladders Bolt Set

Description	Weight (kg/m)	Order Code	Weight (kg/pcs)	SS Code A2	SS Code A4
Bolt Set M8x20	0,025	1008165	0,025	1065307	1065308

1 Set bolt ,Contains 1 unit M8x20 dished head bolt + 1 unit M8 flanged nut.



- Please indicate order code in your orders.
- Please contact us for special dimensions.
- Material weights may vary by $\pm 10\%$

• All dimensions are given as in mm.

- SS= Stainless Steel
- HDG= Hot Dip Galvanized

MARINE TYPE CABLE SYSTEMS

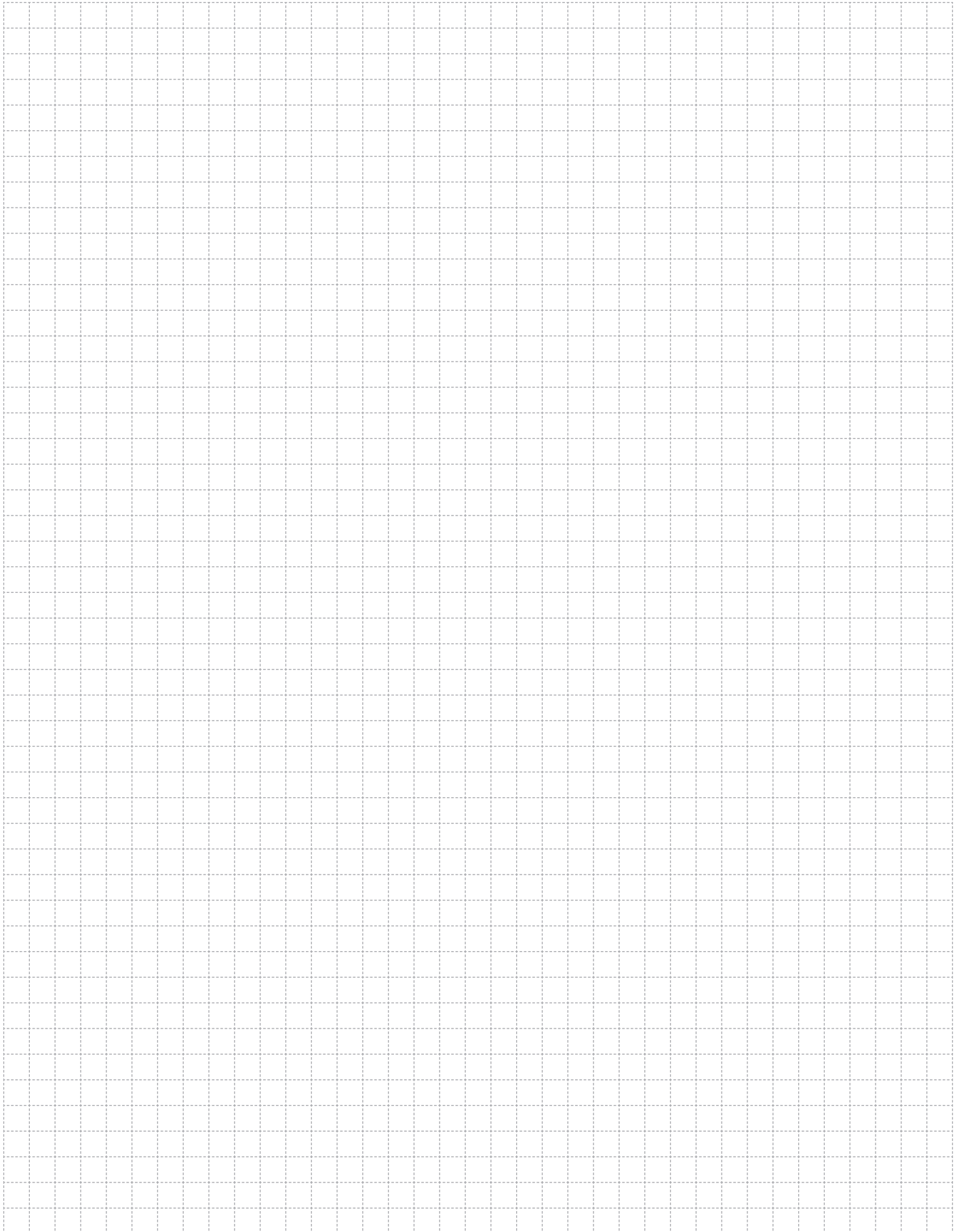
Notes

A large, empty grid of small squares, intended for handwritten notes or technical drawings. The grid covers most of the page area below the header and above the footer.

MARINE TYPE CABLE SYSTEMS

Notes

A large, empty grid area for taking notes, consisting of a fine, dotted grid pattern.



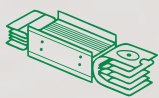
A large grid area for taking notes, consisting of a fine grid of small squares.

SUSTAINABLE FUTURE

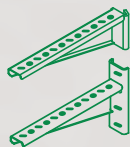
Sustainability Management at EAE Elektrik



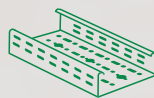
As part of our goal to support sustainable development and green transformation, measuring, evaluating, and managing all economic, environmental, and social impacts resulting from our sustainability practices is a key governance priority for EAE Elektrik. We act with great care in analyzing, monitoring, and managing the economic, environmental, and social impacts and risks that arise throughout our value chain in both our national and global operations.



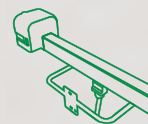
Busbar Systems



Support Systems



Cable Tray Systems



Trolley Busbar Systems



Fit-Out Solutions

"We are working together with all our stakeholders to develop the electrical technologies that will build the future."

You can visit our sustainability website at sustainability.eaeelectric.com



#FutureTogether

EAE Elektrik
Head Office

Akcaburgaz Mahallesi,
3114. Sokak, No: 10 34522
Esenyurt - Istanbul - Turkiye
Tel: +90 (212) 866 20 00
Fax: +90 (212) 886 24 20

EAE DL 1 Factory
Cable Tray

Organize Sanayi Bolgesi Mahallesi,
6. Cadde, No: 2E, 41455
Dilovasi - Kocaeli - Turkiye
Tel: +90 (262) 999 05 55
Fax: +90 (262) 502 05 70



Please visit our website for the updated
version of our catalogues.
www.eaelectric.com



Catalogue 66 - En. / Rev. 03 1000 Pcs. 25/12/2025
E.U.

EAE has full right to make any revisions or changes on this catalogue without any prior notice.