

CARPORT SOLUTIONS

EAE GROUP IN NUMBERS



Since 1973

EAE Group of Companies started its journey in the electrical sector in 1973 with the establishment of EAE Elektrik. Since its founding, EAE has grown rapidly, expanding its production and areas of operation by incorporating EAE Lighting in 1983, EAE Machinery in 1996, EAE Electrotechnics in 2004, and EAE Technology in 2009.

EAE carries out its production activities in accordance with ISO 9001 Quality Management, ISO 14001 Environmental Management, ISO 14064-1 Greenhouse Gas Management System, ISO 45001 Occupational Health and Safety Management, ISO 10002 Customer Satisfaction Management, ISO 50001 Energy Management System, and ISO 27001 Information Security Management System standards.



50+
Years Experience



7
Active Factories



360.000m²
Enclosed Space



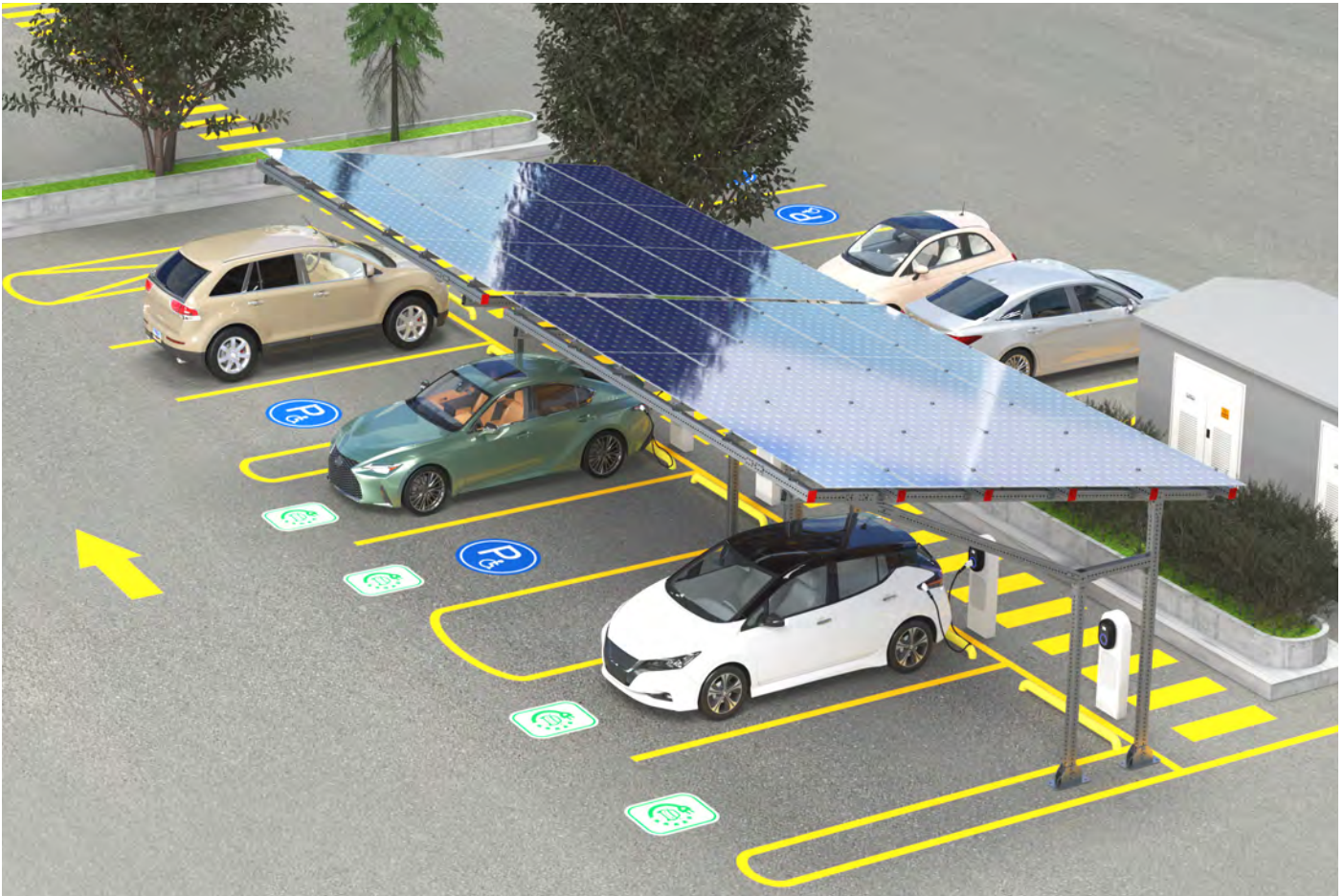
3
R&D Centers



150+
Countries Exported To

CARPORT SOLUTIONS

Carport (Vehicle Parking PV Roof System) Applications



Carport (Vehicle Parking PV Roof System) Applications and Solutions

Carports not only contribute to environmentally friendly energy production but also protect vehicles from external factors such as the sun's harmful UV rays, rain, and snow. With a modern design approach, they offer an aesthetic appearance and harmonize with contemporary architectural styles. Solar panels are integrated into carport structures to create an eco-friendly energy source, reducing the carbon footprint and promoting the use of sustainable energy.

With the modern and modular design specially developed by our R&D team for carport applications, we offer safer carport stands with the following advantages for your consideration:

- Faster and easier assembly system
- More cost-effective pricing compared to heavy steel designs due to its optimized structure
- Quicker delivery times with standard production processes

CARPORT SOLUTIONS

Carport (Vehicle Parking PV Roof System) Applications



Special Connection Modules

Thanks to standard production connection modules developed specifically for the project, much faster alignment and easier assembly are achieved.



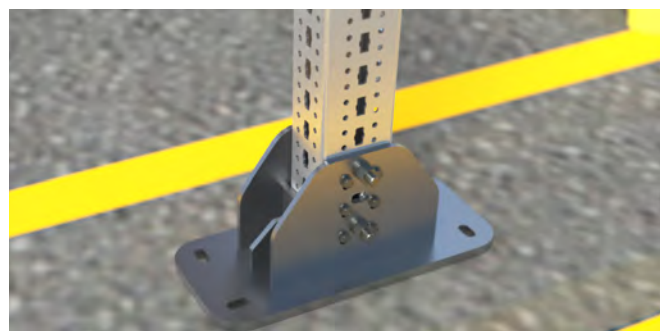
Custom Manufacturing and Tolerance

Thanks to specially designed connection components tailored for each project according to site and sunlight conditions, load distribution is calculated in the safest way, resulting in much more rigid structures.



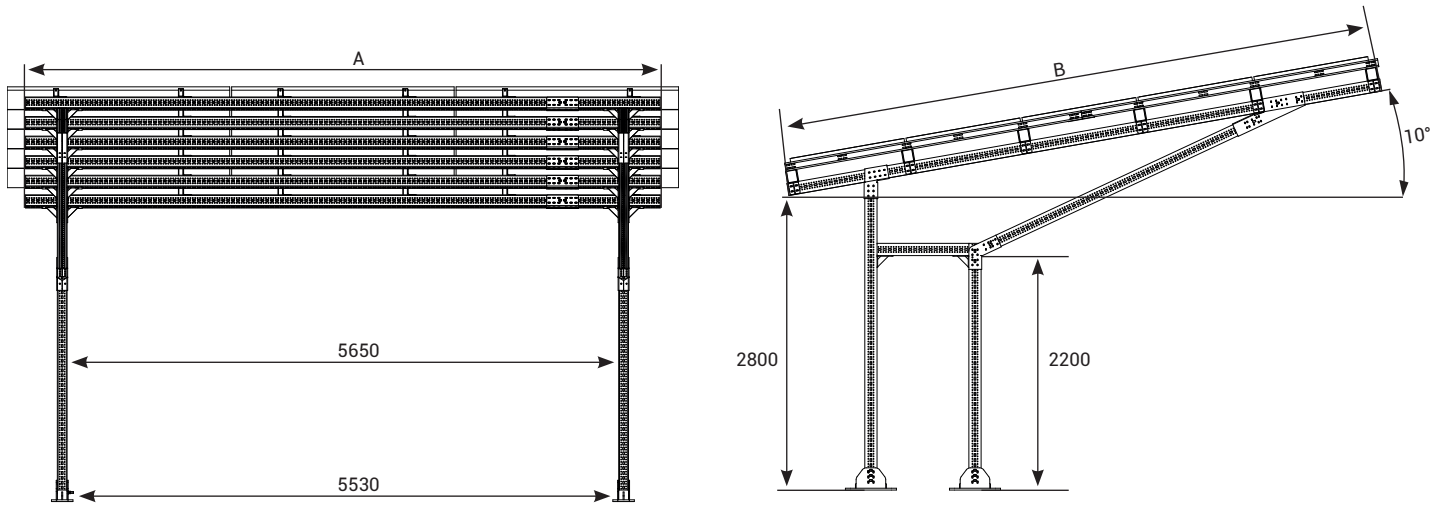
Robust Supports

The ground fixing base, the most critical points of the design, are engineered to account for all loads and conditions, ensuring a system that provides reliable service for many years.



CARPORT SOLUTIONS

Carport Structure Dimensions



Car Park (n)	2	3	4	5	6
Support (n)	2	2	3	4	4
Solar Panel (n)	20	25	35	40	50
Solar Panel Dimension (mm)	2278x1134	2278x1134	2278x1134	2278x1134	2278x1134
A (mm)	6500	9200	11900	15000	25100
B (mm)	5900	5900	5900	5900	5900

• For different panel dimensions, please contact us.

Description

Our CARPORT product provides optimal protection for your (electric) vehicles against snow, hail, rain, and sunlight. It is ideal for privat individuals and businesses looking to offer an additional service to customers or employees. Additionally, it is the perfect solution for transforming idle open parking areas into an "Electricity Generation Facility."

Easy Parking – Just Park!

We designed our CARPORT product, with maximum user-friendliness in mind, because we know how often you struggle to enter tight parking spaces—and then to get in and out of your car—due to columns and foundations.

Our CARPORT Eliminates These Issues:

- Columns are positioned only in front of the tire area and on one side of the parking space. This removes maneuvering difficulties between obstacles and reduces the risk of vehicle damage while parking.
- No foundations or posts are located in the areas where vehicle doors open, allowing easy access, exit, and loading from all doors.
- Flat surface under the parking area ensures there are no obstacles or tripping hazards that could damage vehicle doors.
- Protection and Power Generation

Double the use of your space! Each field produces 4.2 kWp, resulting in a minimum electricity yield of 4,200 kWh (assuming a sunny site).

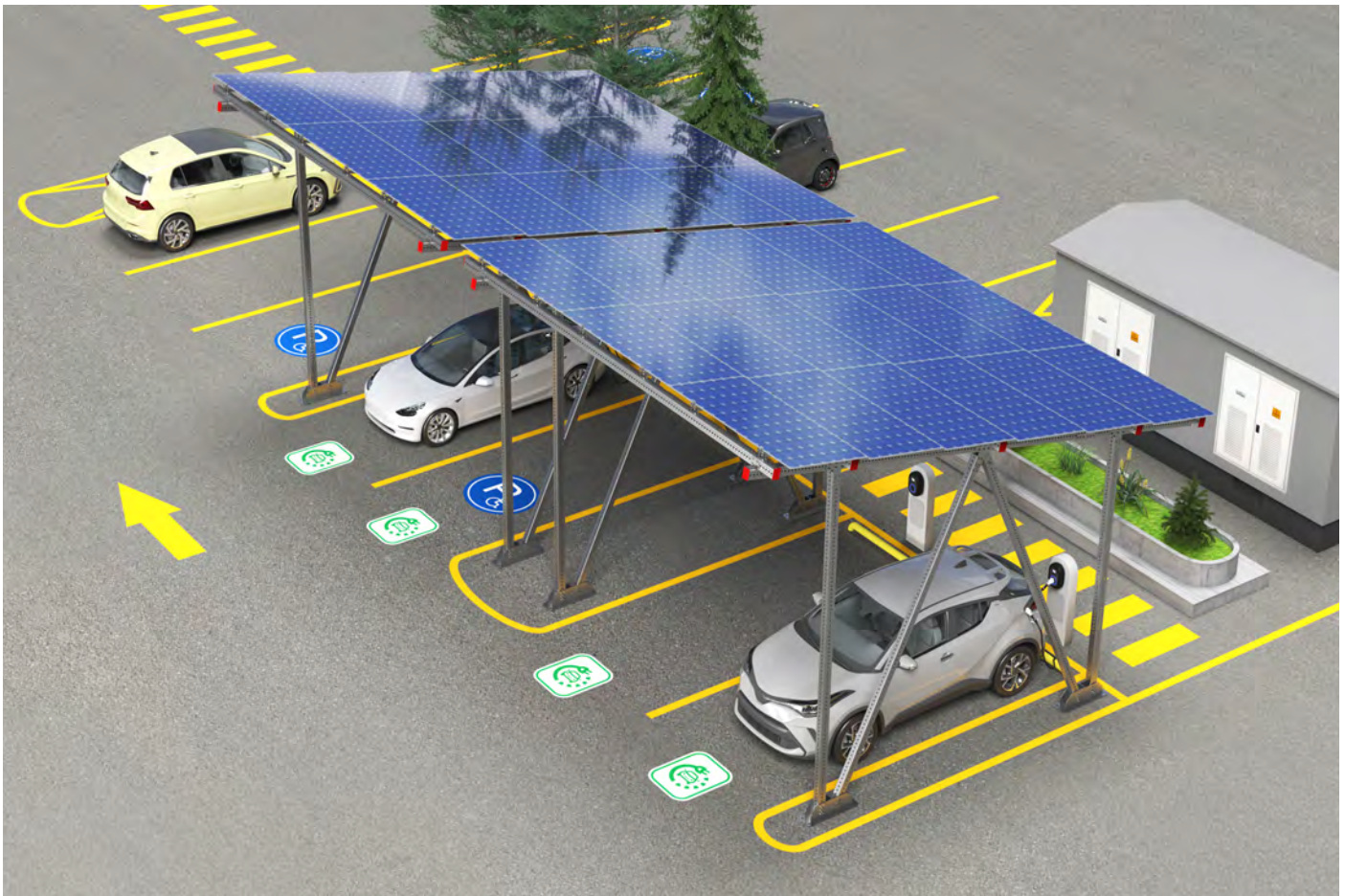
CARPORT SOLUTIONS

Carport (Vehicle Parking Area PV Roof System) Applications



CARPORT SOLUTIONS

Carport (Vehicle Parking Area PV Roof System) Applications



Carport (Vehicle Parking Area PV Roof System) Applications and Solutions

Carports not only contribute to environmentally friendly energy production but also protect vehicles from external factors such as the sun's harmful UV rays, rain, and snow. With a modern design approach, they offer an aesthetic appearance and harmonize with contemporary architectural styles. Solar panels are integrated into the carport structures to create an eco-friendly energy source. This reduces the carbon footprint and promotes the use of sustainable energy. With a modern and modular design specifically developed by our R&D team for carport applications, we offer safer carport stands with the following advantages for your consideration:

- Faster and easier installation system
- More cost-effective pricing compared to heavy steel designs due to its optimized structure
- Faster delivery times with a standardized production process

CARPORT SOLUTIONS

Carport (Vehicle Parking Area PV Roof System) Applications



Special Connection Modules

Thanks to standard production connection modules specially developed for the project, they provide much faster alignment and ease of installation.



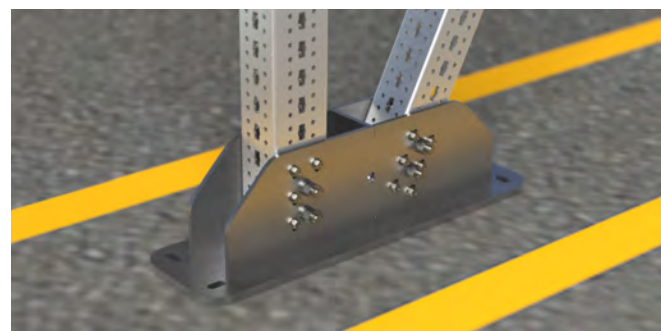
Custom Manufacturing and Tolerances

Thanks to specially designed connection components tailored for each project according to site and sunlight conditions, the load distribution is calculated in the safest way, resulting in much more rigid structures.



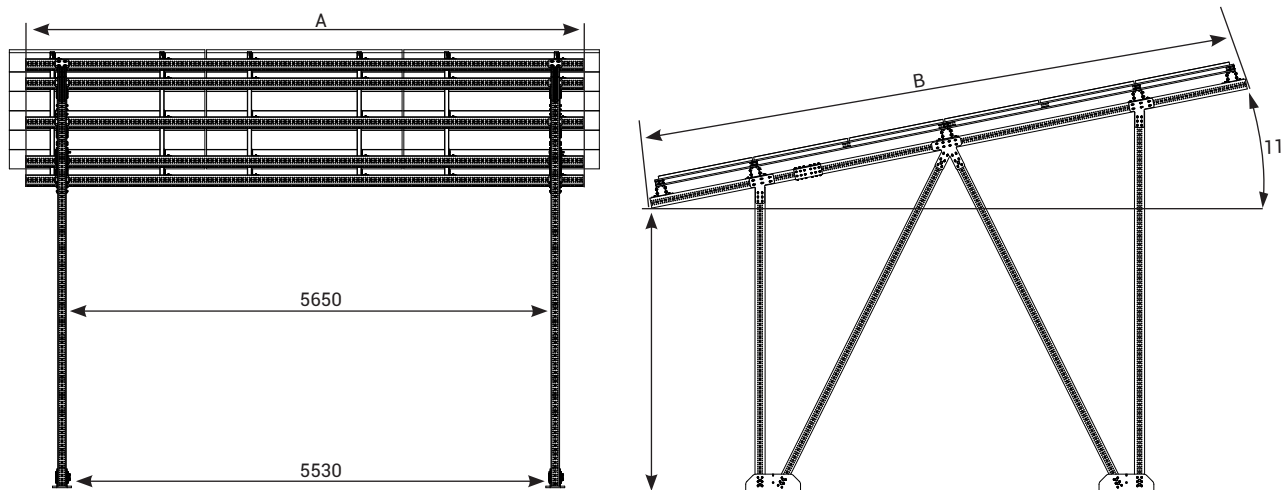
Robust Supports

The ground fixing base, the most critical points of the design, are engineered to account for all loads and conditions, ensuring a system that provides reliable service for many years.



CARPORT SOLUTIONS

Carport Structure Dimensions



Carport (n)	2	3	4	5	6
Support (n)	2	2	3	4	4
Solar Panel (n)	18	24	30	42	54
Solar Panel Dimension (mm)	2278x1134	2278x1134	2278x1134	2278x1134	2278x1134
A (mm)	6500	9200	11900	15000	25100
B (mm)	7200	7200	7200	7200	7200

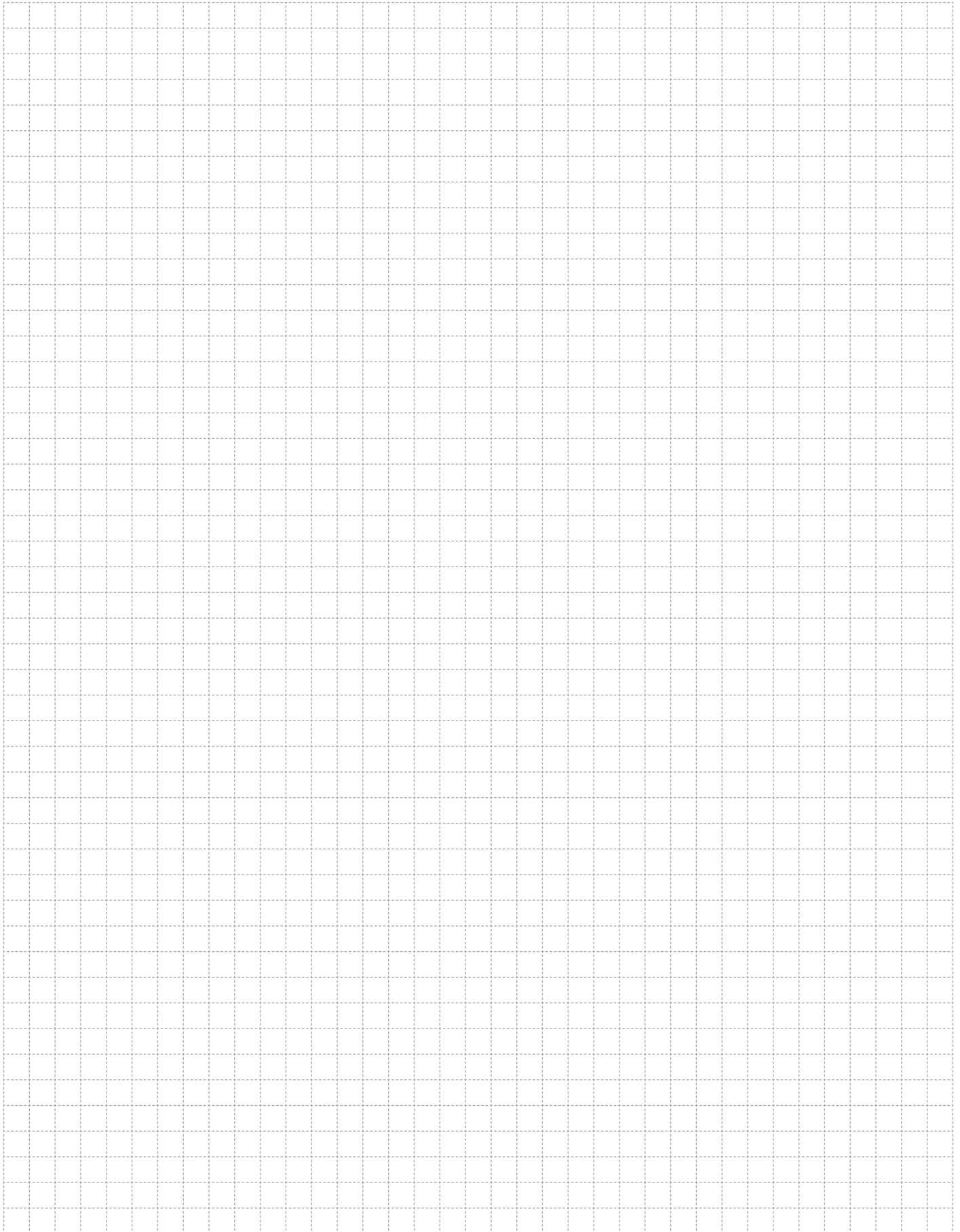
• Please contact us for different panel sizes.

Description

Our CARPORT product protects your (electric) vehicles from snow, hail, rain, and sun in the best possible way. It is ideal for individuals and businesses who want to provide an additional service to their customers or employees.

Advantages of our CARPORT solar-powered, waterproof aluminum parking system:

- Highly pre-assembled to ensure easy installation and reduce labor costs.
- Height and angle can be adjusted within a specific range.
- Lightweight materials make it easy to transport and install.
- The system layout can be customized according to the actual site conditions.



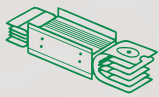
A large grid area for taking notes, consisting of a fine grid of small squares.

SUSTAINABLE FUTURE

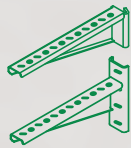
Sustainability Management at EAE Elektrik



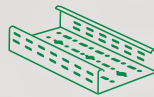
As part of our goal to support sustainable development and green transformation, measuring, evaluating, and managing all economic, environmental, and social impacts resulting from our sustainability practices is a key governance priority for EAE Elektrik. We act with great care in analyzing, monitoring, and managing the economic, environmental, and social impacts and risks that arise throughout our value chain in both our national and global operations.



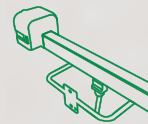
Busbar Systems



Support Systems



Cable Tray Systems



Trolley Busbar Systems



Fit-Out Solutions

"We are working together with all our stakeholders to develop the electrical technologies that will build the future."

You can visit our sustainability website at surdurulebilirik.eae.com.tr



#FutureTogether

EAE Elektrik

Head Office

Akcaburgaz Mahallesi,
3114. Sokak, No: 10 34522
Esenyurt - Istanbul - Turkiye
Tel: +90 (212) 866 20 00
Fax: +90 (212) 886 24 20

EAE DL 1 Factory

Cable Tray

Organize Sanayi Bolgesi Mahallesi,
6. Cadde, No: 2E, 41455
Dilovasi - Kocaeli - Turkiye
Tel: +90 (262) 999 05 55
Fax: +90 (262) 502 05 70



Please visit our website for the updated
version of our catalogues.
www.eaelectric.com



Catalogue 85 - En. / Rev. 00 0 Pcs. 21/10/2025
E.U.

EAE has full right to make any revisions or changes on this catalogue without any prior notice.