

# E-LINE DL

Low Power & Lighting Busbar System 25-32-40 A

[www.eaelectric.com](http://www.eaelectric.com)

# EAE GROUP IN NUMBERS



## Since 1973

EAE Group of Companies started its journey in the electrical sector in 1973 with the establishment of EAE Elektrik. Since its founding, EAE has grown rapidly, expanding its production and areas of operation by incorporating EAE Lighting in 1983, EAE Machinery in 1996, EAE Electrotechnics in 2004, and EAE Technology in 2009.

EAE carries out its production activities in accordance with ISO 9001 Quality Management, ISO 14001 Environmental Management, ISO 14064-1 Greenhouse Gas Management System, ISO 45001 Occupational Health and Safety Management, ISO 10002 Customer Satisfaction Management, ISO 50001 Energy Management System, and ISO 27001 Information Security Management System standards.



**50+**  
Years Experience



**8**  
Active Factories



**370.000m<sup>2</sup>**  
Enclosed Space



**3**  
R&D Centers



**150+**  
Countries Exported To

# CONTENTS

---

## E-LINE DL

Genel Özellikler .....	2-3
Order Code System .....	4
General Product Structure .....	5
Product Selection Tables / Standard Busbars .....	6
Product Selection Tables / Special Length Busbars .....	7
Product Selection Tables / Feeder Units .....	8-9
Product Selection Tables / Raised Underfloor Feeder Units .....	10
Product Selection Tables / Tap-off Plugs .....	11-15
Product Selection Tables / Tap-off Boxes .....	16
Application Areas .....	17-18

## E-LINE DL-DALI

General Characteristics .....	20-21
Product Selection Tables / Three Phase Busbars .....	22
Product Selection Tables / Tap-off Plugs .....	23
Product Selection Tables / Single Phase Busbars .....	24
Product Selection Tables / Tap-off Plugs .....	25
Product Selection Tables / Feeder Units .....	26-27
Application Areas .....	28
DL-DALI Busbar Principle Connection Chart .....	29

## E-LINE DL-DIM

Product Selection Tables / Busbars .....	30
Product Selection Tables / Feeder Units .....	31-32
DL-DIM Busbar Principle Connection Chart .....	33
Project Design Form .....	34

## LINE DL / DL - DALI / DL - DIM

Brackets and Joints .....	36
Busbar and Fitting Brackets .....	37-39
Joint Installation .....	40
Tap-off Plugs Installation .....	41
Tap-off Box Installation .....	42-44
Technical Specifications .....	45
Product Overview (DL) .....	46
Product Overview (DL-DALI) .....	47
Product Overview (DL-DIM) .....	48
CE Declaration of Conformity .....	49
Certificates .....	50-52

# E-LINE DL

## General Characteristics



E-Line DL Busbar Distribution Systems are used in building electrical installations with a power requirement of 25 to 40A. 16A output sockets and 25A output boxes are designed to supply lighting and wall socket circuit as per their specifications.

EAE Busbar Systems are produced in accordance with ISO 9001 standards with a certified Quality Assurance Systems using the world's latest manufacturing technologies. Units are designed and tested according to IEC 61439-6.



### Tap-off Plugs

Tap-off plugs for DL Busbar systems are designed with different contact arrangements.

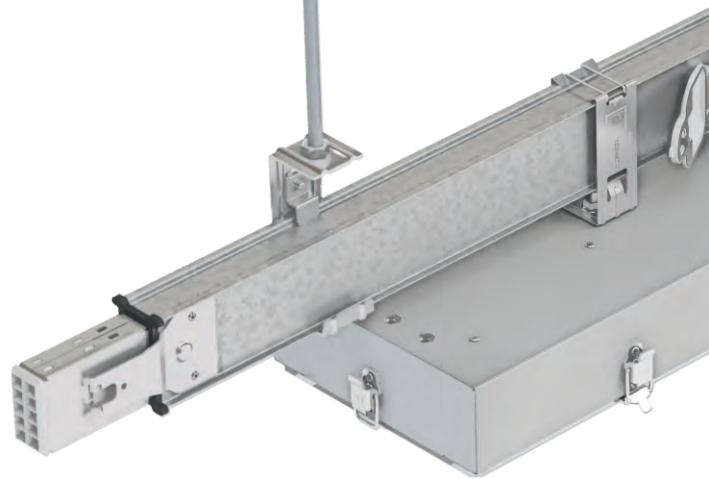
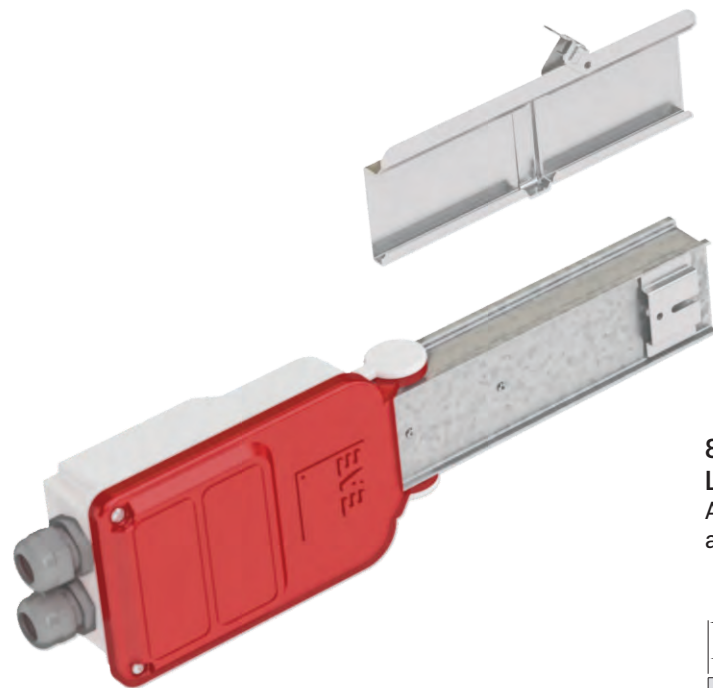
All the plugs are produced in order to be connected to the busbar in one direction to prevent the use of a wrong phase.

### Safety

Earth contacts of the tap-off plugs make first when plugging-in, and the contact breaks last when unplugging.

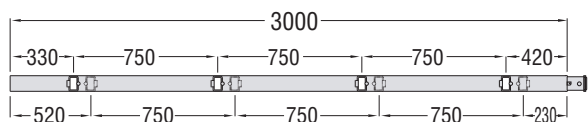
### Colour Coded Covers Indicate The Phases

The covers of the tap-off plugs are designed with different colours to indicate which phase the light fittings are fed from.



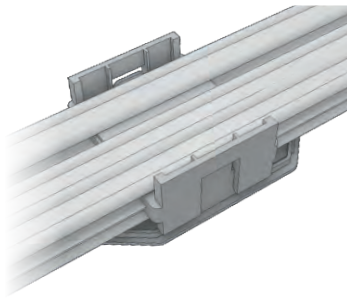
### 8 Plug-in Points are provided on a Standard 3m Length

A total of 8 plug-in points (4 on each side) are provided as standard.



### Full Isolation

The busbar conductors are coated in flame-proof insulation material. Total security regarding human safety is provided even when the body is severely damaged due to external heavy impacts that may occur.

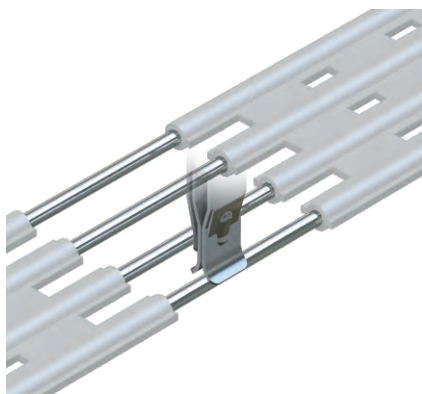


### Fast, Easy and Secure Assembly

Achieved with single action by driving the mechanical and electrical joint silver coated springed contacts towards each other. The joint is secured by tightening one screw. It is not necessary to install the joint cover to secure the joint.

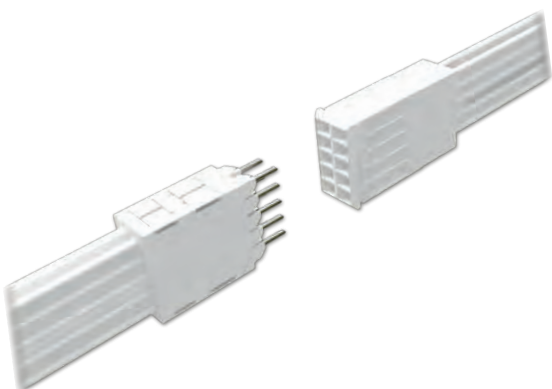
### Tin Coated Conductors

Formation of Copper Oxide is prevented by tin plating the conductors along their full length. This ensures that contact resistances are minimised. The contacts of the tap-off plugs contact the busbar conductors on two surfaces.



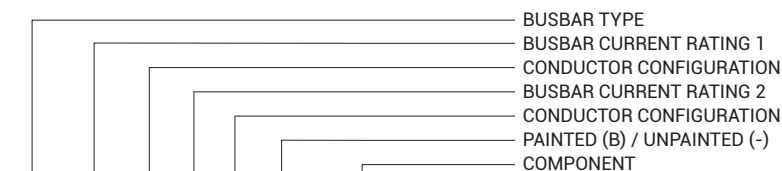
### Silver Coated Joint Contacts

The contacts at the joints of the busbar and the contacts of all tap-off units are silver coated. The silver coating minimises the contact impedances, thus preventing the over-heating of the contacts in case of possible over-loads.



# E-LINE DL

## Order Code System



DL 2 5 2 5 - B - S T D

**Busbar Type**

25 A	2
32 A	3
40 A	4

**Busbar Current Rating 1**

2 Conductors	2
3 Conductors	3
4 Conductors	4
5 Conductors	5

**1st Conductor Configuration**

25 A	2
32 A	3
40 A	4

**Busbar Current Rating 2**

2 Conductors	2
3 Conductors	3
4 Conductors	4
5 Conductors	5

**2nd Conductor Configuration**

Painted(*)	B
Unpainted	-

(\*) It may be manufactured as painted as per customer request.

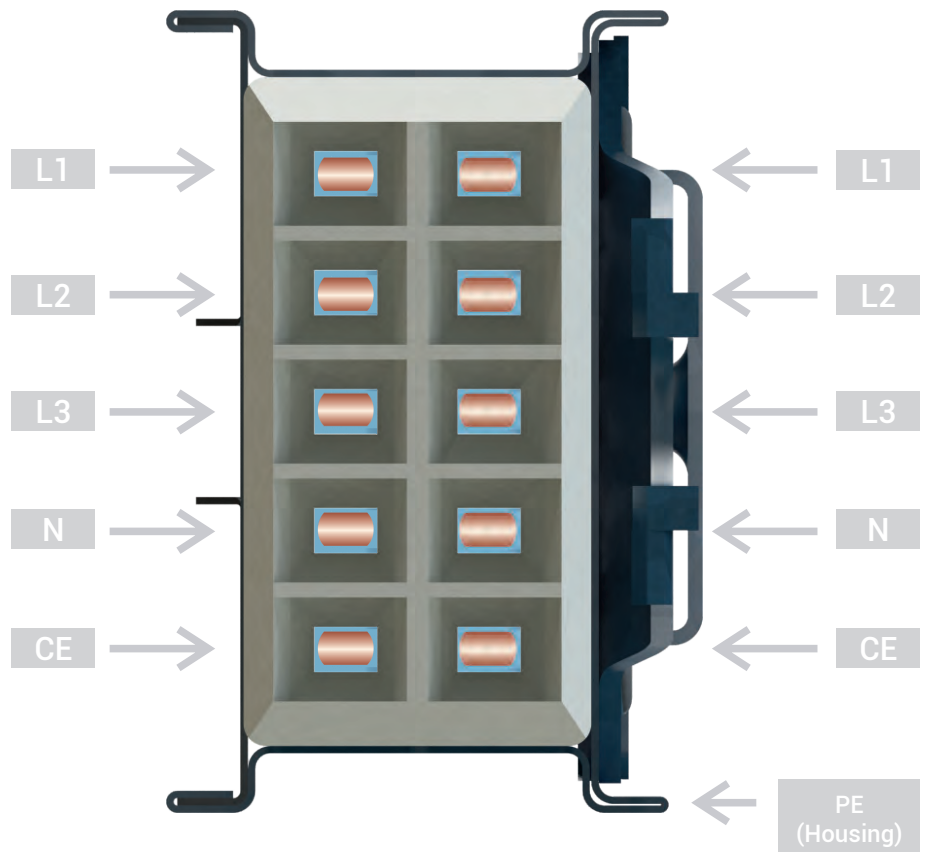
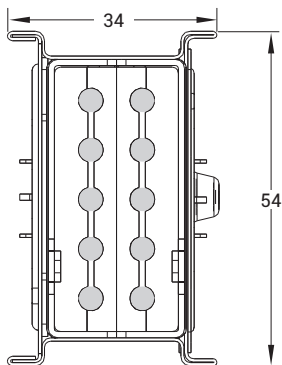
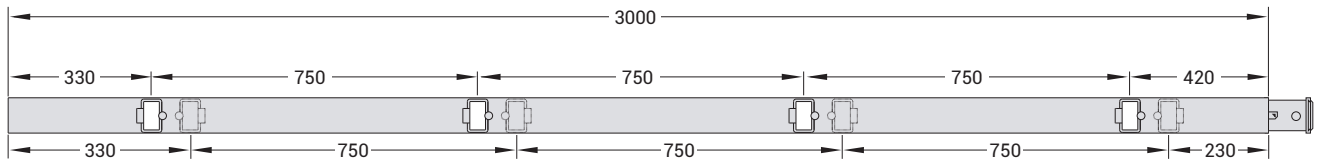
### Components

Standard Length	STD
Special Length	X
Feeder Box	B1
End Feeder Box	B2
Central Feeder Box	B0
Flexible Elbow	FD
Underfloor Feeder	B1
Underfloor End Feeder	B2

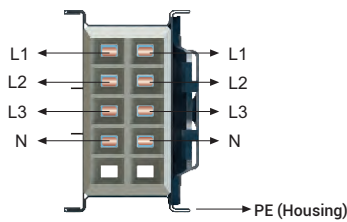
- The body is manufactured from 0,50 mm galvanised sheet steel.
- For non-standard product, please contact our technical office.

# E-LINE DL

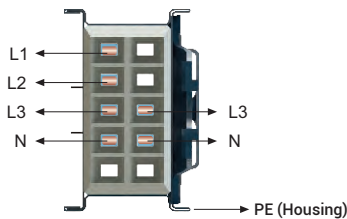
## General Product Structure



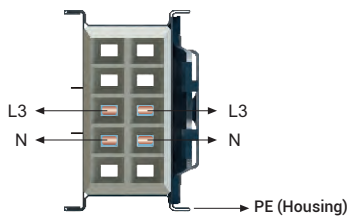
- The body is manufactured from 0,50 mm galvanised sheet steel.
- For non-standard product, please contact our technical office.



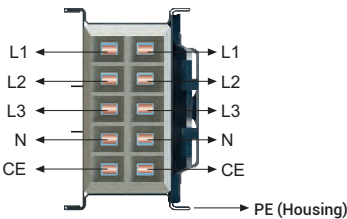
Current (A)	Description	Conductor Conf.	Order Code
25	DL 2424 2x25 A Busbar	4+4	3024786
32	DL 3434 2x32 A Busbar	4+4	3024788
40	DL 4444 2x40 A Busbar	4+4	3024790



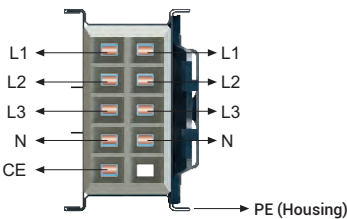
Current (A)	Description	Conductor Conf.	Order Code
25	DL 2422 2x25 A Busbar	4+2	3024792
32	DL 3432 2x32 A Busbar	4+2	3024794
40	DL 4442 2x40 A Busbar	4+2	3024796



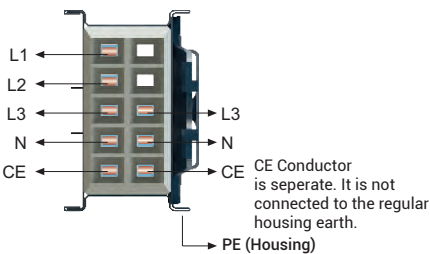
Current (A)	Description	Conductor Conf.	Order Code
25	DL 2222 2x25 A Busbar	2+2	3024798
32	DL 3232 2x32 A Busbar	2+2	3024800
40	DL 4242 2x40 A Busbar	2+2	3024802



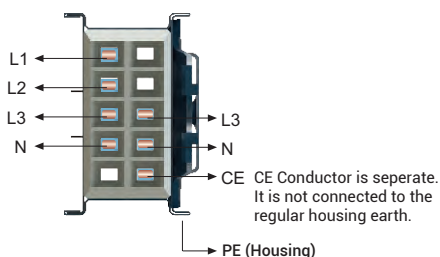
Current (A)	Description	Conductor Conf.	Order Code
25	DL 2525 2x25 A Busbar	5+5	3024804
32	DL 3535 2x32 A Busbar	5+5	3024806
40	DL 4545 2x40 A Busbar	5+5	3024808



Current (A)	Description	Conductor Conf.	Order Code
25	DL 2524 2x25 A Busbar	5+4	3066712
32	DL 3534 2x32 A Busbar	5+4	3066713
40	DL 4544 2x40 A Busbar	5+4	3066714

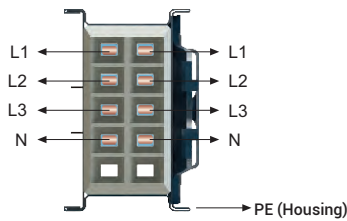


Current (A)	Description	Conductor Conf.	Order Code
25	DL 2523 2x25 A Busbar	5+3	3024810
32	DL 3533 2x32 A Busbar	5+3	3024812
40	DL 4543 2x40 A Busbar	5+3	3024814



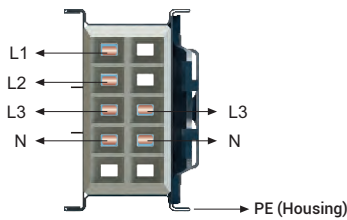
Current (A)	Description	Conductor Conf.	Order Code
25	DL 2423 2x25 A Busbar	4+3	3066718
32	DL 3433 2x32 A Busbar	4+3	3066720
40	DL 4443 2x40 A Busbar	4+3	3066721

- The body is manufactured from 0,50 mm galvanised sheet steel.
- For non-standard product, please contact our technical office.

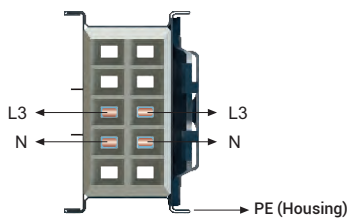


Current (A)	Description	Conductor Conf.	Order Code
25	DL 2424 2x25 A Special Length	4+4	3024822
32	DL 3434 2x32 A Special Length	4+4	3024824
40	DL 4444 2x40 A Special Length	4+4	3024826

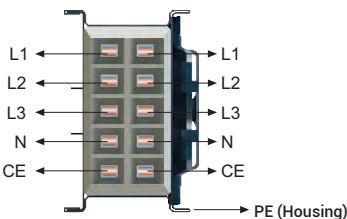
Special Length Busbars are manufactured as 1m/1,5m/2m/2,5m.



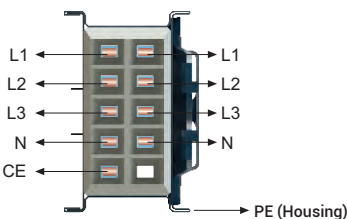
Current (A)	Description	Conductor Conf.	Order Code
25	DL 2422 2x25 A Special Length	4+2	3024828
32	DL 3432 2x32 A Special Length	4+2	3024830
40	DL 4442 2x40 A Special Length	4+2	3024832



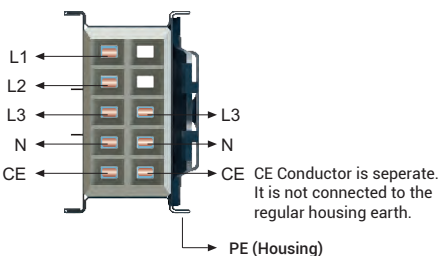
Current (A)	Description	Conductor Conf.	Order Code
25	DL 2222 2x25 A Special Length	2+2	3024834
32	DL 3232 2x32 A Special Length	2+2	3024836
40	DL 4242 2x40 A Special Length	2+2	3024838



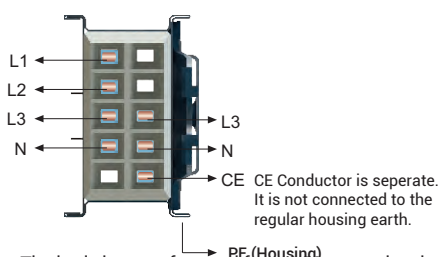
Current (A)	Description	Conductor Conf.	Order Code
25	DL 2525 2x25 A Special Length	5+5	3024840
32	DL 3535 2x32 A Special Length	5+5	3024842
40	DL 4545 2x40 A Special Length	5+5	3024844



Current (A)	Description	Conductor Conf.	Order Code
25	DL 2524 2x25 A Special Length	5+4	3066715
32	DL 3534 2x32 A Special Length	5+4	3066716
40	DL 4544 2x40 A Special Length	5+4	3066717



Current (A)	Description	Conductor Conf.	Order Code
25	DL 2523 2x25 A Special Length	5+3	3024846
32	DL 3533 2x32 A Special Length	5+3	3024848
40	DL 4543 2x40 A Special Length	5+3	3024850



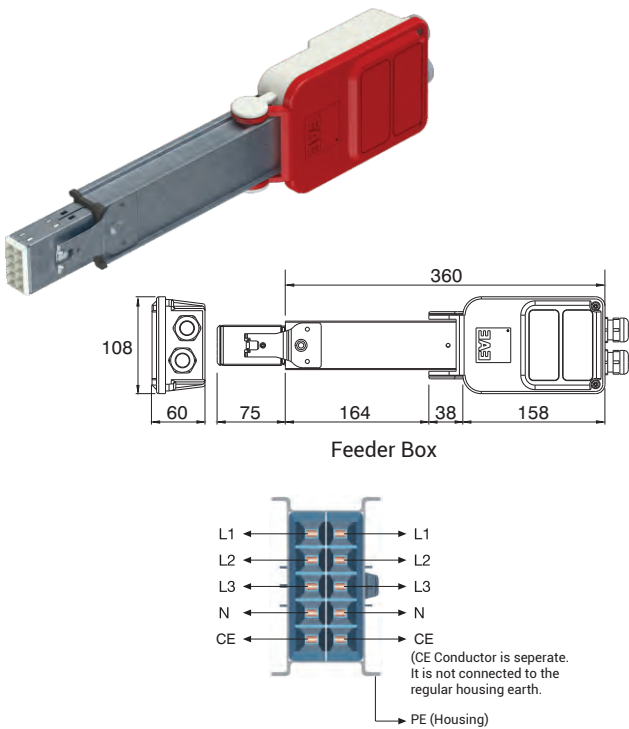
Current (A)	Description	Conductor Conf.	Order Code
25	DL 2423 2x25 A Special Length	4+3	3066722
32	DL 3433 2x32 A Special Length	4+3	3066723
40	DL 4443 2x40 A Special Length	4+3	3066724

- The body is manufactured from 0,50 mm galvanised sheet steel.
- For non-standard product, please contact our technical office.

# E-LINE DL

## Product Selection Tables / Feeder Units

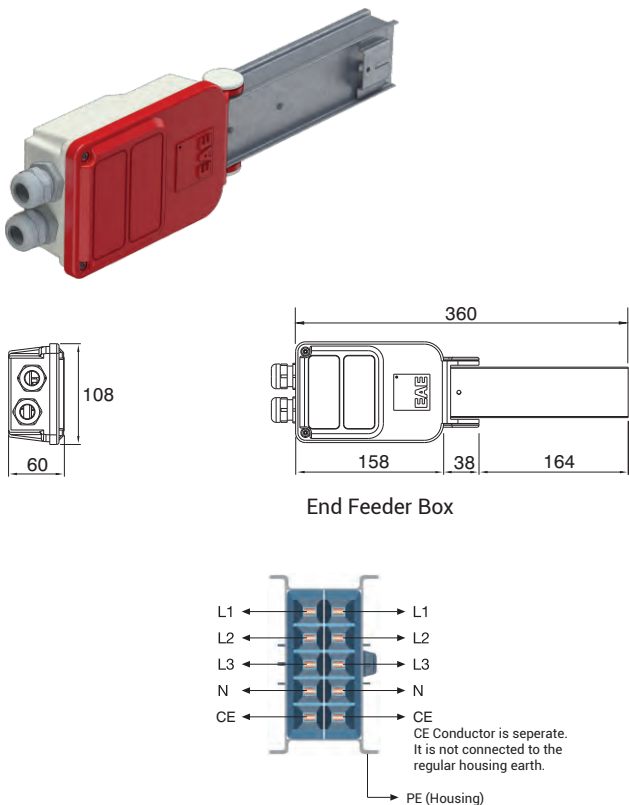
### (B1) Feeder Box



Current (A)	Description	Busbars	Order Code
25	DL 2525 - B1 Feeder Box	DL 2424 DL 2422 DL 2222 DL 2524 DL 2523 DL 2423	3024858
32	DL 3535 - B1 Feeder Box	DL 3434 DL 3432 DL 3232 DL 3534 DL 3533 DL 3423	3024860
40	DL 4545 - B1 Feeder Box	DL 4444 DL 4442 DL 4242 DL 4544 DL 4543 DL 4443	3024862

\* With PE Conductor and M25 Gland as standard.

### (B2) End Feeder Box



Current (A)	Description	Busbars	Order Code
25	DL 2525 - B2 End Feeder Box	DL 2424 DL 2422 DL 2222 DL 2524 DL 2523 DL 2423	3024864
32	DL 3535 - B2 End Feeder Box	DL 3434 DL 3432 DL 3232 DL 3534 DL 3533 DL 3423	3024866
40	DL 4545 - B2 End Feeder Box	DL 4444 DL 4442 DL 4242 DL 4544 DL 4543 DL 4443	3024868

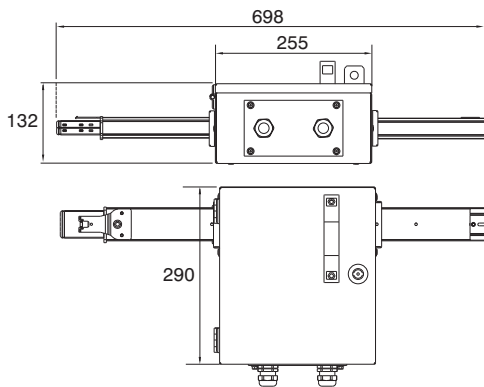
\* With PE Conductor and M25 Gland as standard.

- The body is manufactured from 0,50 mm galvanised sheet steel.
- For non-standard product, please contact our technical office.

# E-LINE DL

## Product Selection Tables / Feeder Units

### (BO) Central Feeder Box

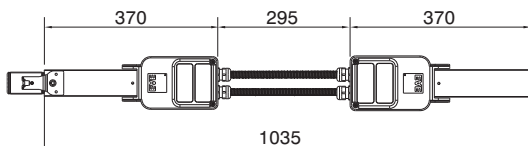


Central Feeder Box

Current (A)	Description	Busbars	Order Code
25	DL 2525 - BO Central Feeder Box	DL 2424 DL 2422 DL 2222 DL 2524 DL 2523 DL 2423	3133141
32	DL 3535 - BO Central Feeder Box	DL 3434 DL 3432 DL 3232 DL 3534 DL 3533 DL 3423	3133143
40	DL 4545 - BO Central Feeder Box	DL 4444 DL 4442 DL 4242 DL 4544 DL 4543 DL 4443	3133145

\* With PE Conductor and M25 Gland as standard.

### (FD) Flexible Elbow



Flexible Elbow

Current (A)	Description	Busbars	Order Code
25	DL 2525 - FD Flexible Elbow	DL 2424 DL 2422 DL 2222 DL 2524 DL 2523 DL 2423	3024882
32	DL 3535 - FD Flexible Elbow	DL 3434 DL 3432 DL 3232 DL 3534 DL 3533 DL 3423	3024884
40	DL 4545 - FD Flexible Elbow	DL 4444 DL 4442 DL 4242 DL 4544 DL 4543 DL 4443	3024886

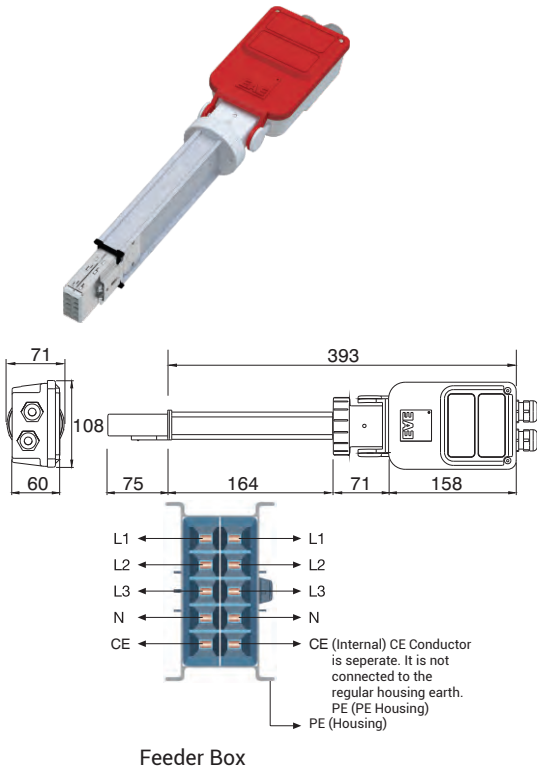
\* With PE Conductor and M25 Gland as standard.

- The body is manufactured from 0,50 mm galvanised sheet steel.
- For non-standard product, please contact our technical office.

# E-LINE DL

## Product Selection Tables / Raised Underfloor Feeder Units

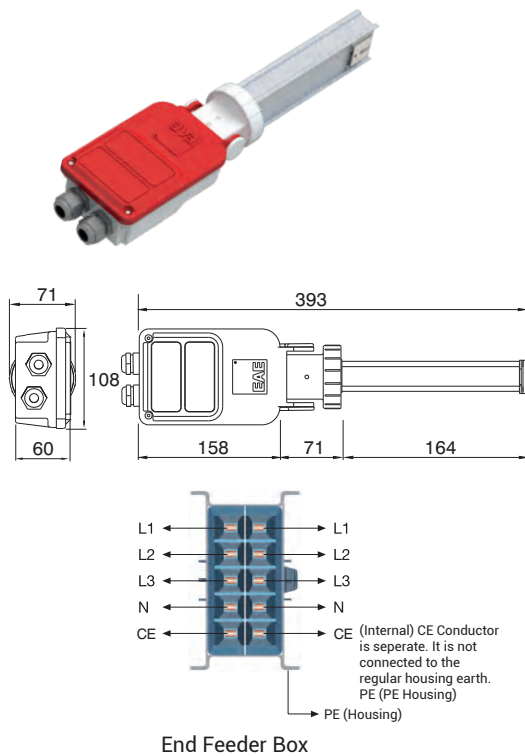
### (B1) Feeder Box



Current (A)	Description	Busbars	Order Code
25	DL 2525 - B1 Raised Underfloor Feeder Unit	DL 2424 DL 2422 DL 2222 DL 2524 DL 2523 DL 2423	3024541
32	DL 3535 - B1 Raised Underfloor Feeder Unit	DL 3434 DL 3432 DL 3232 DL 3534 DL 3533 DL 3423	3024542
40	DL 4545 - B1 Raised Underfloor Feeder Unit	DL 4444 DL 4442 DL 4242 DL 4544 DL 4543 DL 4443	3024543

\* With PE conductor and M25 Gland as standard.

### (B2) End Feeder Box



Current (A)	Description	Busbars	Order Code
25	DL 2525 - B2 Raised Underfloor End Feeder Unit	DL 2424 DL 2422 DL 2222 DL 2524 DL 2523 DL 2423	3024544
32	DL 3535 - B2 Raised Underfloor End Feeder Unit	DL 3434 DL 3432 DL 3232 DL 3534 DL 3533 DL 3423	3024545
40	DL 4545 - B2 Raised Underfloor End Feeder Unit	DL 4444 DL 4442 DL 4242 DL 4544 DL 4543 DL 4443	3024546

\* With PE conductor and M25 Gland as standard.

- The body is manufactured from 0,50 mm galvanised sheet steel.
- For non-standard product, please contact our technical office.

# E-LINE DL

## Product Selection Tables / Tap-off Plugs

### Tap-off Plug (B)

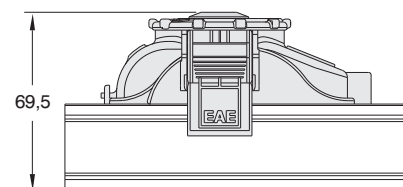
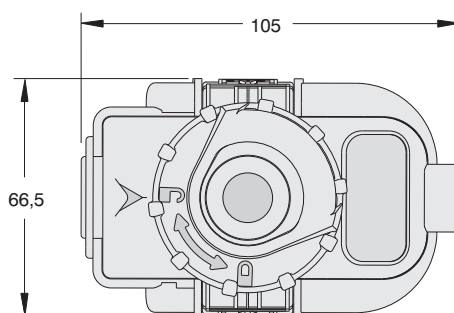


Current (A)	Description	Cable Length / Type		Phase	Properties	Order Code	
		Halogen Free	Standard (PVC)			Halogen Free	Standard (PVC)
16	DL / SL 16 - B Tap-off Plug L1	0,75m 052XZ1-F 3x1,5mm <sup>2</sup> Cable(*)	0,75m NYMHY 3x1,5mm <sup>2</sup> Cable(*)	L1, N, PE	With Black Cover	3063696	3086972
	L2, N, PE			With Yellow Cover	3063697	3086974	
	L3, N, PE			With Blue Cover	3063698	3086975	
	DL / SL 16 - B Tap-off Plug L123	5x1,5mm <sup>2</sup>	5x1,5mm <sup>2</sup>	L1, L2, L3, N, PE	With Grey Cover	3066319	3086976

\* Plugs with different length cable available upon request.



DL / SL 16 - B



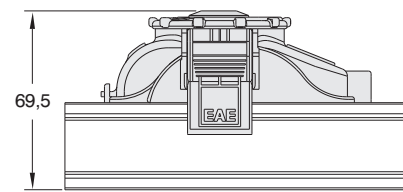
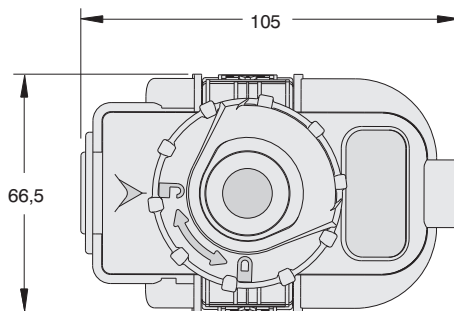
### Plug with Fuse Holder (FS) / Plug with Clips (K)

Current (A)	Description	Cable Length / Type	Phase	Properties	Order Code	
16	DL / SL 16 - FS Tap-off Plug L1	-	L1, N, PE	With Black Cover	With 5 x 20 mm fuse holders (**) Max. diameter of feeder cable is Ø 11 mm.	3063703
	DL / SL 16 - FS Tap-off Plug L2	-	L2, N, PE	With Yellow Cover		3063704
	DL / SL 16 - FS Tap-off Plug L3	-	L3, N, PE	With Blue Cover		3063705
16	DL / SL 16 - K Tap-off Plug L1	-	L1, N, PE	With Black Cover	Without Fuses. Max. diameter of feeder cable is Ø 11 mm.	3063699
	DL / SL 16 - K Tap-off Plug L2	-	L2, N, PE	With Yellow Cover		3063701
	DL / SL 16 - K Tap-off Plug L3	-	L3, N, PE	With Blue Cover		3063702
	DL / SL 16 - K Tap-off Plug L1, L2, L3	-	L1, L2, L3, N, PE	With Grey Cover		3063700

\* Cylindrical fuse not included.



DL / SL 16 - FS  
DL / SL 16 - K



# E-LINE DL

## Product Selection Tables / Tap-off Plugs (Clean Earth)

### Tap-off Plug (B) (Clean Earth)

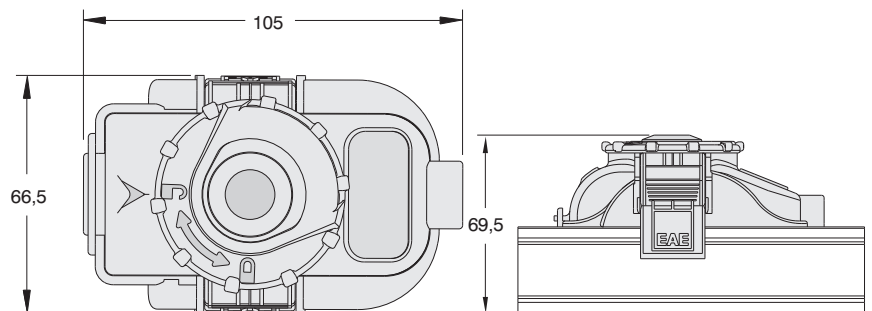


Current (A)	Description	Cable Length / Type		Phase	Properties	Order Code	
		Halogen Free	Standard (PVC)			Halogen Free	Standard (PVC)
16	DL / SL 16 - B - CE Tap-off Plug L1	0,75 m.	0,75 m.	L1, N, CE	With Black Cover	3063709	3086978
	DL / SL 16 - B - CE Tap-off Plug L2	052XZ1-F 3x1,5 mm <sup>2</sup>	052XZ1-F 3x1,5 mm <sup>2</sup>	L2, N, CE	With Yellow Cover	3063710	3086979
	DL / SL 16 - B - CE Tap-off Plug L3	Cable (*)	Cable (*)	L3, N, CE	With Blue Cover	3063711	3086980
	DL / SL 16 - B - CE Tap-off Plug L1,L2,L3	5x1,5 mm <sup>2</sup>	5x1,5 mm <sup>2</sup>	L1, L2, L3, N, CE	With Grey Cover	3066323	3086982

\* Plugs with different length cable available upon request.



DL / SL 16 - B - CE



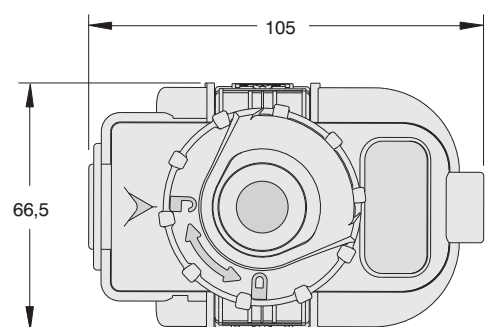
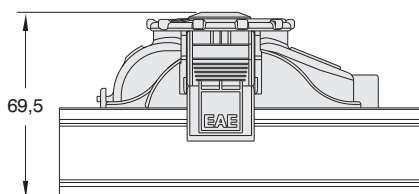
### Plug with Fuse Holder (FS) / Plug with Clips (K) (Clean Earth)

Current (A)	Description	Cable Length / Type	Phase	Properties	Order Code	
16	DL / SL 16 - FS - CE Tap-off Plug L1	-	L1, N, CE	With Black Cover	With 5 x 20 mm fuse holders (**) Max. diameter of feeder cable is Ø 11 mm.	3063717
	DL / SL 16 - FS - CE Tap-off Plug L2	-	L2, N, CE	With Yellow Cover		3063718
	DL / SL 16 - FS - CE Tap-off Plug L3	-	L3, N, CE	With Blue Cover		3063719
16	DL / SL 16 - K - CE Tap-off Plug L1	-	L1, N, CE	With Black Cover	Without Fuses. Max. diameter of feeder cable is Ø 11 mm.	3063712
	DL / SL 16 - K - CE Tap-off Plug L2	-	L2, N, CE	With Yellow Cover		3063715
	DL / SL 16 - K - CE Tap-off Plug L3	-	L3, N, CE	With Blue Cover		3063716
	DL / SL 16 - K - CE Tap-off Plug L1,L2,L3	-	L1, L2, L3, N, CE	With Grey Cover		3063713

\* Cylindrical fuse not included.



DL / SL 16 - FS - CE  
DL / SL 16 - K - CE



# E-LINE DL

## Product Selection Tables / Tap-off Plugs

### Tap-off Plug (BL)\*\*

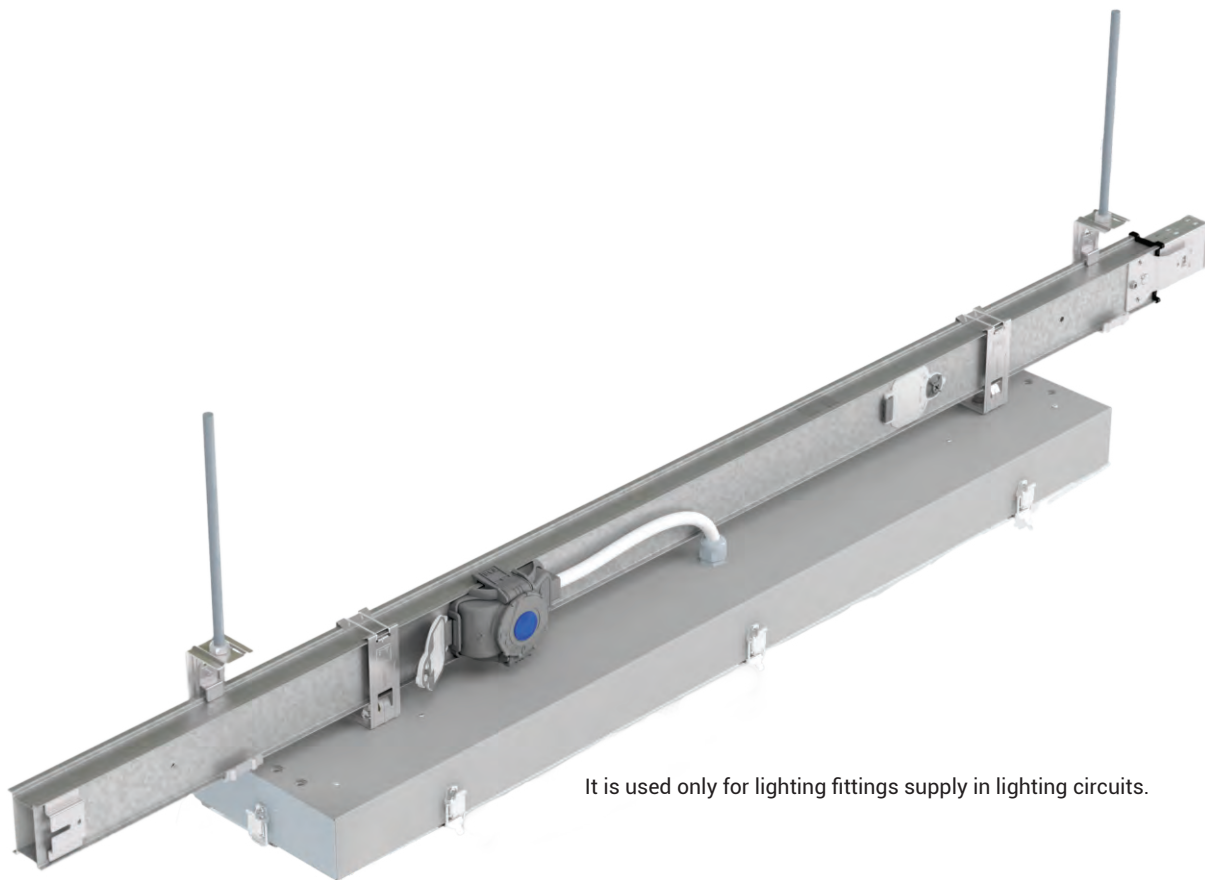
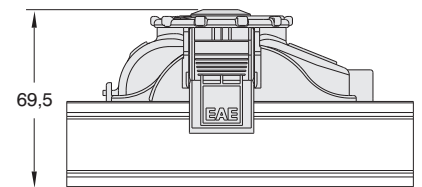
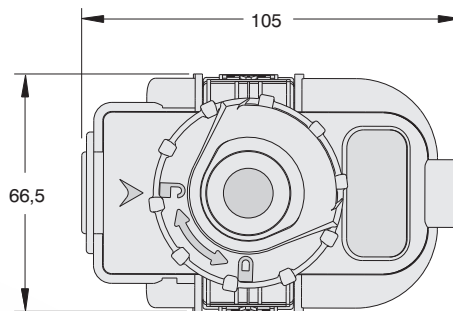


Current (A)	Description	Cable Length / Type	Phase	Properties	Order Code
					Halogen Free
10	DL / SL 10 - BL Tap-off Plug L1	0,75 m. 052XZ1-F 3x0,75 mm <sup>2</sup> kablo (*)	L1, N, PE	With Black Cover	3134599
	L2, N, PE		With Yellow Cover	3134600	
	L3, N, PE		With Blue Cover	3134601	

\* Plugs with different length cable available upon request.



DL / SL 10 - BL



It is used only for lighting fittings supply in lighting circuits.

# E-LINE DL

## Product Selection Tables / Tap-off Plugs (Old Model)

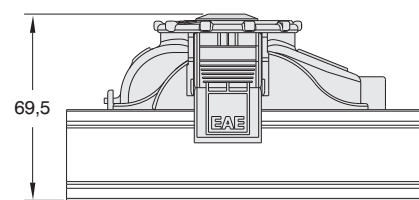
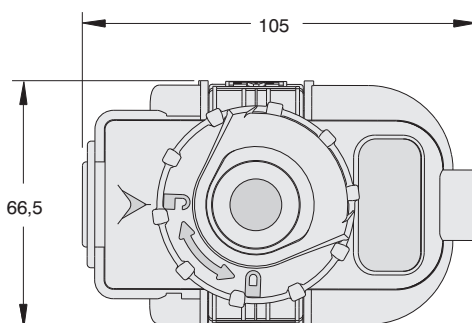
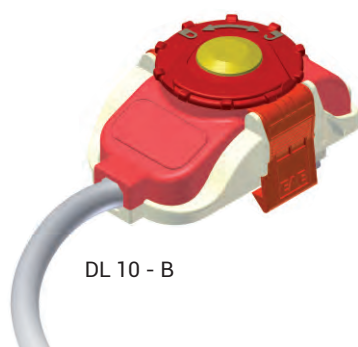


### Tap-off Plug (B)

(WARNING: Tap-off Plugs, which will be used with DL Busbar bought before April 2015, should be selected from this page.)

Current (A)	Description	Cable Length / Type	Phase	Properties	Order Code
10	DL 10 - B Tap-off Plug L1*	0,75 m. NYMHY Cable	L1, N, PE	With Black Cover	3024870
	DL 10 - B Tap-off Plug L2*	0,75 m. NYMHY Cable	L2, N, PE	With Yellow Cover	3024871
	DL 10 - B Tap-off Plug L3*	0,75 m. NYMHY Cable	L3, N, PE	With Blue Cover	3024872

\* Plugs with different length cable available upon request.



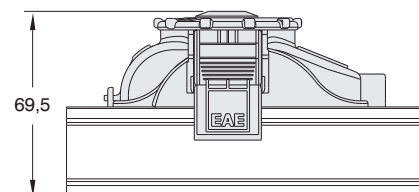
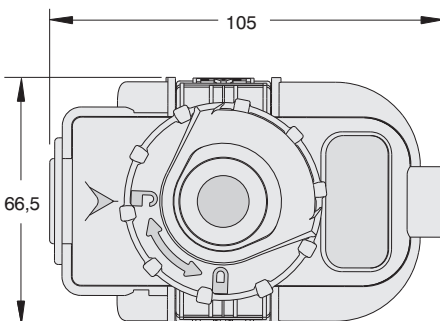
### Plug with Fuse Holder (FS) / Plug with Clips (K)

Current (A)	Description	Cable Length / Type	Phase	Properties	Order Code
16	DL 16 - FS Tap-off Plug L1	-	L1, N, PE	With 5 x 20 mm fuse holders (**) Max. diameter of feeder cable is $\varnothing$ 11 mm.	3024873
	DL 16 - FS Tap-off Plug L2	-	L2, N, PE		3024874
	DL 16 - FS Tap-off Plug L3	-	L3, N, PE		3024875
16	DL 16 - K Tap-off Plug L1	-	L1, N, PE	Without Fuses. Max. diameter of feeder cable is $\varnothing$ 11 mm.	3024778
	DL 16 - K Tap-off Plug L2	-	L2, N, PE		3024777
	DL 16 - K Tap-off Plug L3	-	L3, N, PE		3024776
	DL 16 - K Tap-off Plug L123	-	L1, L2, L3, N, PE		3024775

\*\* Cylindrical fuse not included.



DL 16 - FS  
DL 16 - K



# E-LINE DL

## Product Selection Tables / Tap-off Plugs (Old Model)

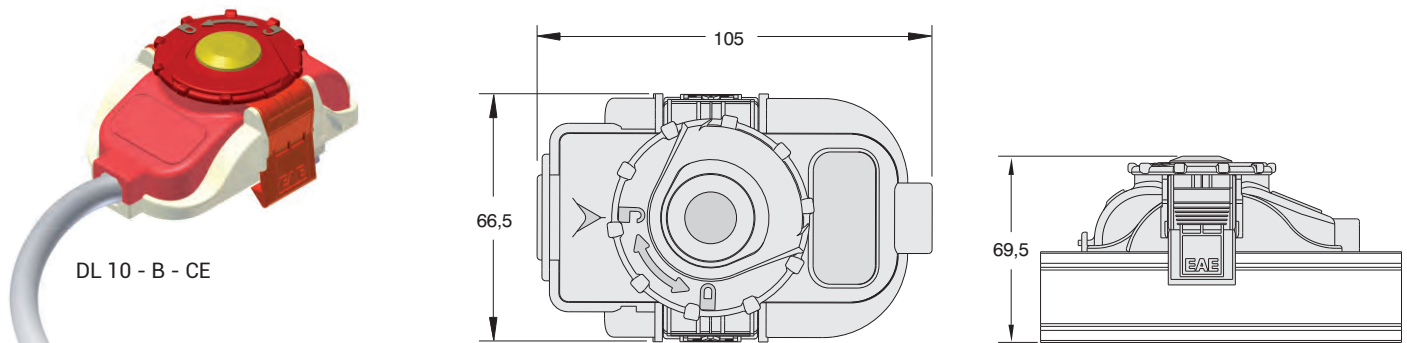
### Tap-off Plugs (B) (Clean Earth)



(WARNING: Tap-off Plugs, which will be used with DL Busbar bought before April 2015, should be selected from this page.)

Current (A)	Description	Cable Length / Type	Phase	Properties	Order Code
10	DL 10 - B - CE Tap-off Plug L1*	0,75 m. NYMHY Cable	L1, N, CE	With Black Cover	3024779
	DL 10 - B - CE Tap-off Plug L2*	0,75 m. NYMHY Cable	L2, N, CE	With Yellow Cover	3024780
	DL 10 - B - CE Tap-off Plug L3*	0,75 m. NYMHY Cable	L3, N, CE	With Blue Cover	3024781

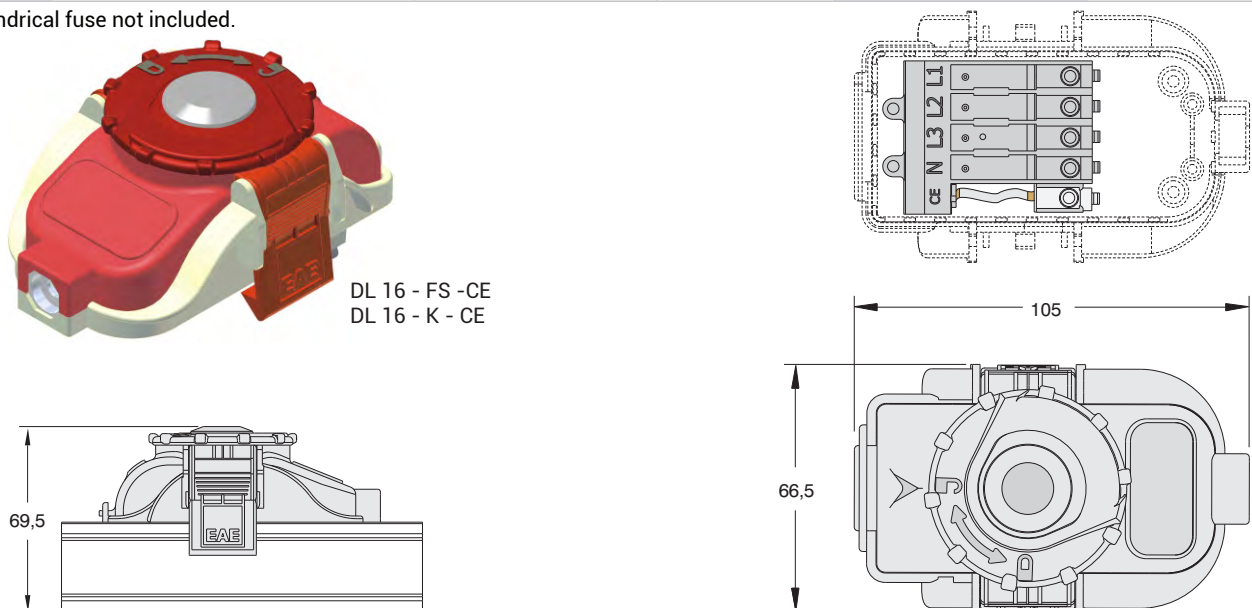
\* Plugs with different length cable available upon request.



### Plug with Fuse Holder (FS) / Plug with Clips (K)

Current (A)	Description	Cable Length / Type	Phase	Properties	Order Code
16	DL 16 - FS - CE Tap-off Plug L1	-	L1, N, CE	With 5 x 20 mm fuse holders (**) Max. diameter of feeder cable is $\varnothing$ 11 mm.	3024881
	DL 16 - FS - CE Tap-off Plug L2	-	L2, N, CE		3024785
	DL 16 - FS - CE Tap-off Plug L3	-	L3, N, CE		3024784
16	DL 16 - K - CE Tap-off Plug L1	-	L1, N, CE	Without Fuses. Max. diameter of feeder cable is $\varnothing$ 11 mm.	3024592
	DL 16 - K - CE Tap-off Plug L2	-	L2, N, CE		3024591
	DL 16 - K - CE Tap-off Plug L3	-	L3, N, CE		3024590
	DL 16 - K - CE Tap-off Plug L123	-	L1, L2, L3, N, CE		3024589

\*\* Cylindrical fuse not included.



# E-LINE DL

## Product Selection Tables / Tap-off Boxes

### Suitable for MCB Empty Tap-off Box (S)

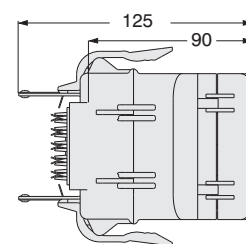
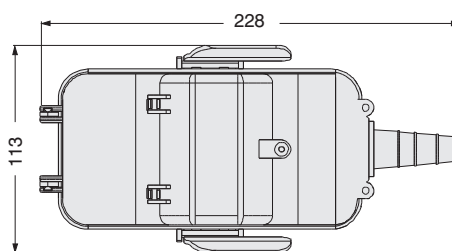


Current (A)	Description	Phase	Properties	Order Code
25	DL/SL 25 - S Empty Tap-off Box(CE)* L1,L2,L3	L1, L2, L3, N, CE	Included DIN rail. It can be used with MCB.(*)	3024481
	DL/SL 25 - S Empty Tap-off Box(CE)* L1	L1, N, CE		3066511
	DL/SL 25 - S Empty Tap-off Box(CE)* L2	L2, N, CE		3066512
	DL/SL 25 - S Empty Tap-off Box(CE)* L3	L3, N, CE		3066513
	DL/SL 25 - S Empty Tap-off Box (PE)* L1,L2,L3	L1, L2, L3, N, PE		3024482
	DL/SL 25 - S Empty Tap-off Box (PE)* L1	L1, N, PE		3066508
	DL/SL 25 - S Empty Tap-off Box (PE)* L2	L2, N, PE		3066509
	DL/SL 25 - S Empty Tap-off Box (PE)* L3	L3, N, PE		3066510

\* MCB not included.



DL 25 - S (CE)  
DL 25 - S (PE)



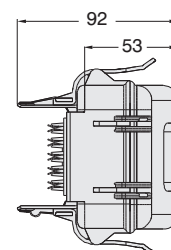
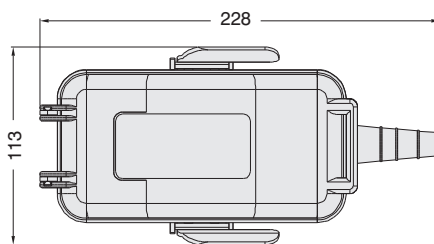
### Suitable for Fuse Holder Empty Tap-off Box (FS)

Current (A)	Description	Phase	Properties	Order Code
16	DL/SL 16 - FS Empty Tap-off Box(CE)* L1,L2,L3	L1, L2, L3, N, CE	Included DIN rail. It can be used with 10x38mm cylindrical fuse holder and cylindrical fuse. (**)	3084928
	DL/SL 16 - FS Empty Tap-off Box(CE)* L1	L1, N, CE		3084929
	DL/SL 16 - FS Empty Tap-off Box(CE)* L2	L2, N, CE		3084930
	DL/SL 16 - FS Empty Tap-off Box(CE)* L3	L3, N, CE		3084931
	DL/SL 16 - FS Empty Tap-off Box (PE)* L1,L2,L3	L1, L2, L3, N, PE		3084923
	DL/SL 16 - FS Empty Tap-off Box (PE)* L1	L1, N, PE		3084925
	DL/SL 16 - FS Empty Tap-off Box (PE)* L2	L2, N, PE		3084926
	DL/SL 16 - FS Empty Tap-off Box (PE)* L3	L3, N, PE		3084927

\*\* Cylindrical fuse not included.



DL 16 - FS (CE)  
DL 16 - FS (PE)



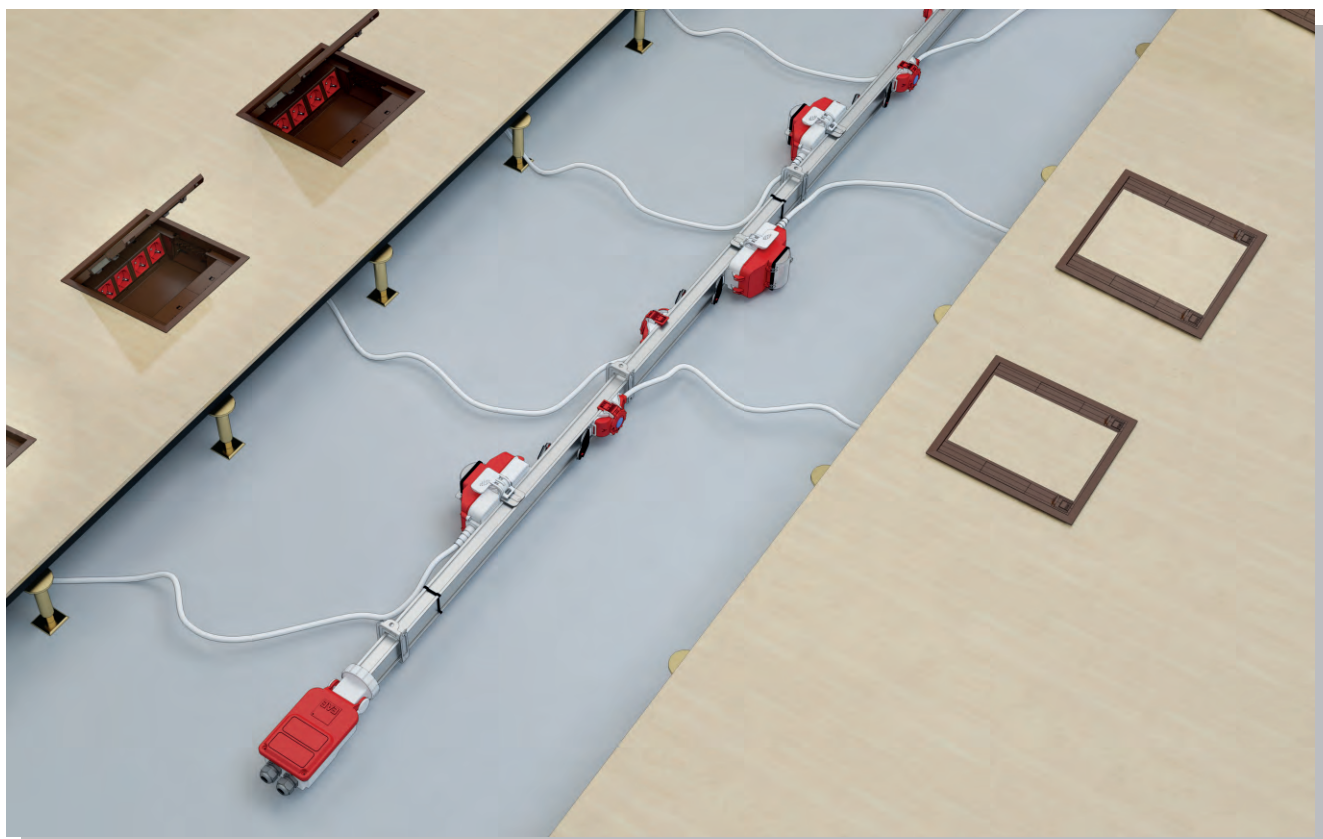
# E-LINE DL

## Application Areas

False Ceiling (Lighting Circuits)



Raised Underfloor (Power Circuits; Mains / UPS)



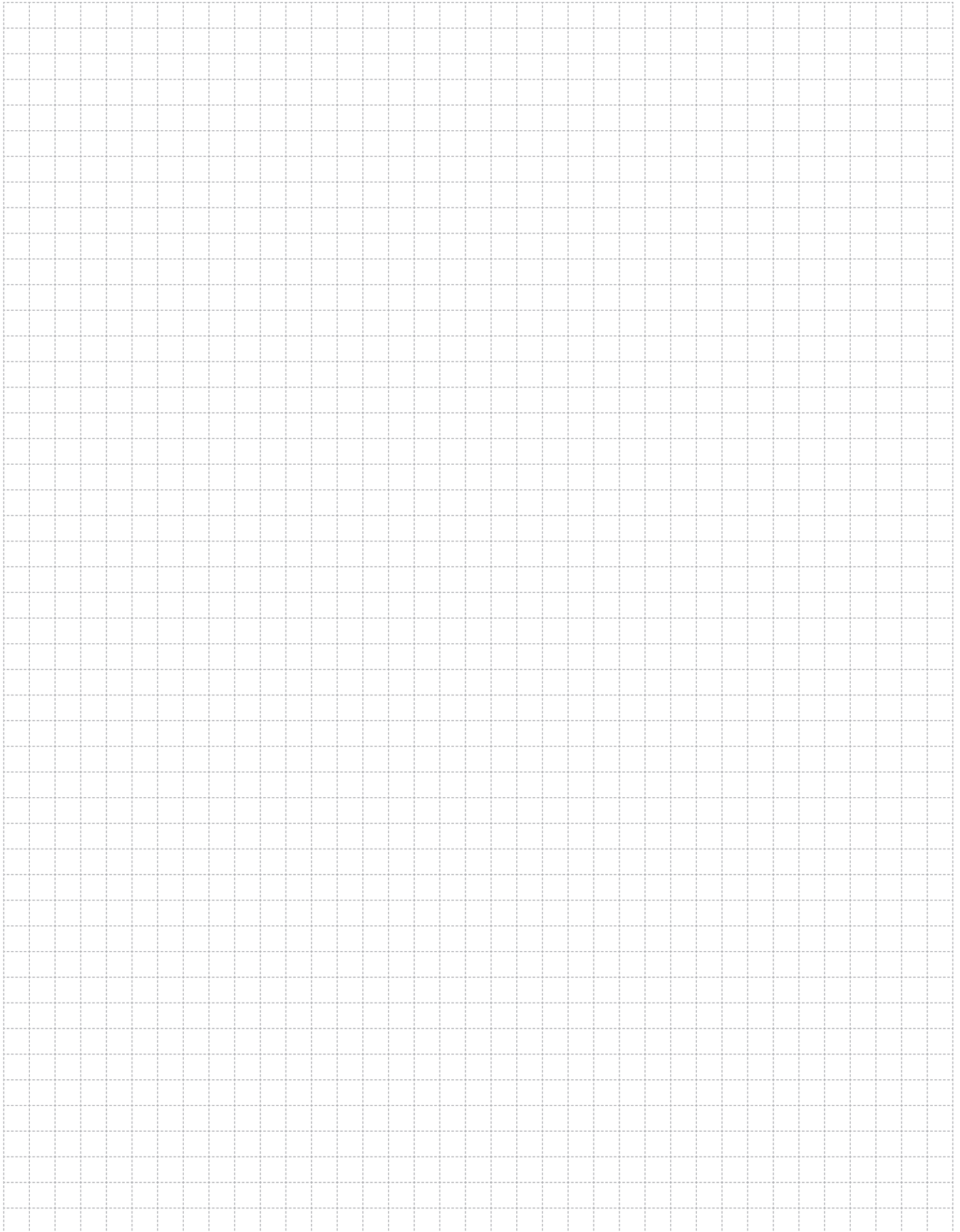
# E-LINE DL

## Application Areas

Open / High Ceiling (Lighting Circuits)



---



A large grid area for taking notes, consisting of a 20x20 grid of small squares. The grid is formed by dashed lines and occupies the majority of the page.

# E-LINE DL

## General Characteristics



E-Line DL-DALI Busbar System are used in the building lighting installations where 25-40A energy is needed. In order to be controlled within the lighting management system of DALI ballast lighting fitting. 16A plugs are designed in order to control and supply energy to the lighting fittings with DALI Ballast.

EAE Busbar Systems are produced in accordance with ISO 9001 standards with a certified Quality Assurance System using the world's latest manufacturing technologies. Units are designed and tested according to IEC 61439-6.



### Tap-off Plugs

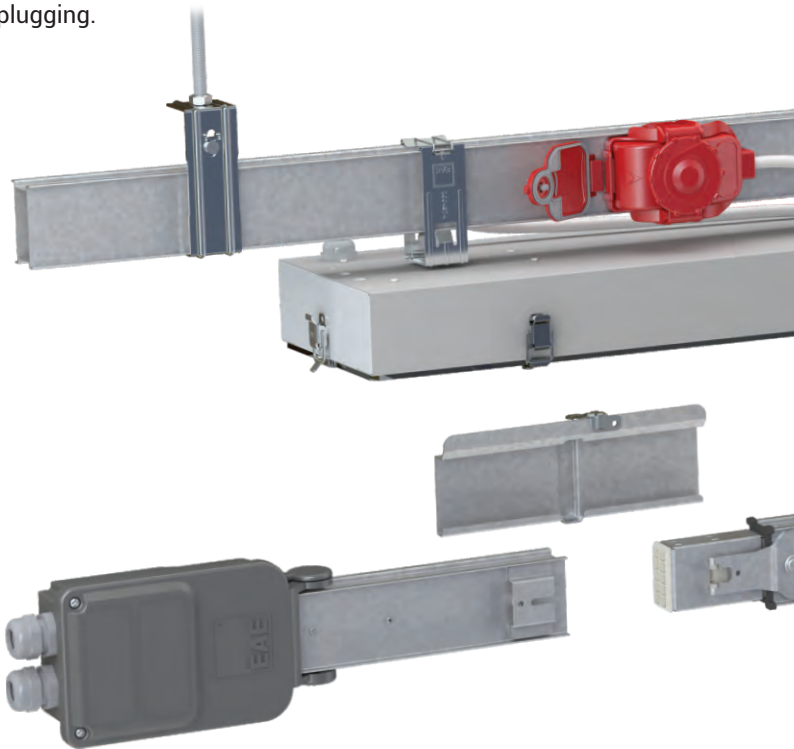
DL-DALI busbar busbar systems are designed with different contact arrangements. All the plugs are produced in one direction on prevent the use of a wrong phase

### Safety

Earth contacts of the tap-off plugs make first when plugging-in, and the contact breaks last when unplugging.

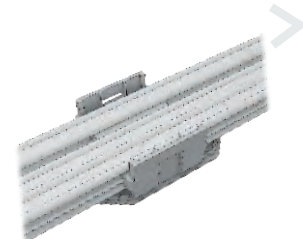
### Colour Coded Cover Indicate The phases

The covers of the tap-off plugs are designed with different colours to indicate which phase the light fittings are fed from.



### Fast, Easy and Secure Assembly

Achieved with single action by driving the mechanical and electrical joint silver coated springed contacts towards each other. The joint is secured by tightening one screw. It is not necessary to install the joint cover to secure the joint.

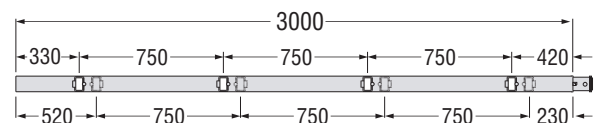


### Full Isolation

The busbar conductors are coated in flame-proof insulation material. Total security regarding human safety is provided even when the body is severely damaged due to external heavy impacts that may occur.

### Total of 8 plug-in points; 4 Plug-in points for Mains and 4 Plug-in points for control are provided on a Standard 3m Length

A total of 8 plug-in points (4 each side) are provided as standard



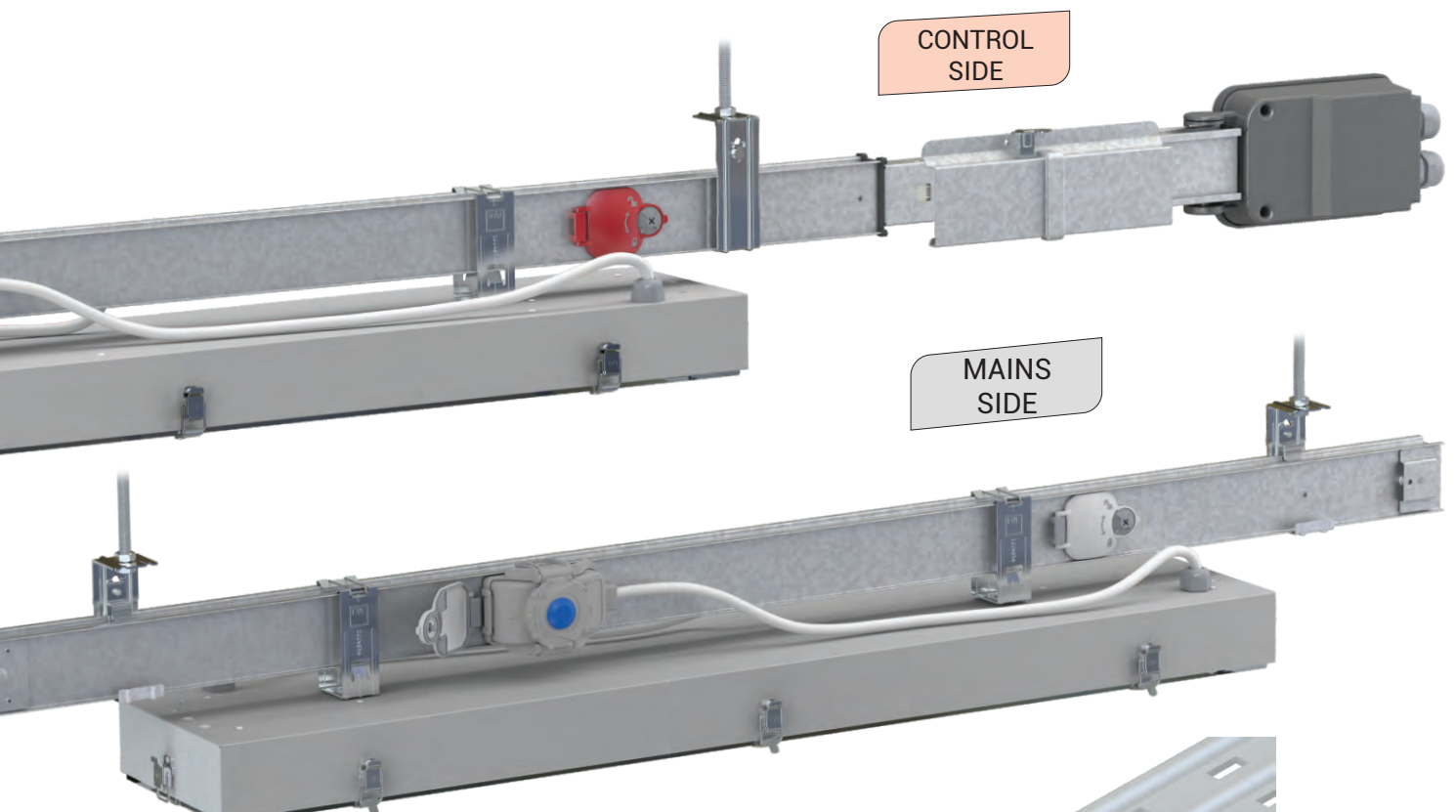
Body is manufactured from 0.50 mm thick, galvanized sheet metal.

# E-LINE DL

## General Characteristics



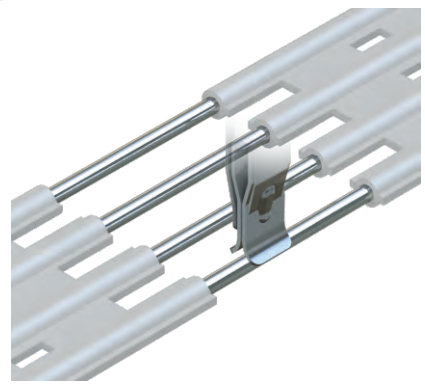
**Addressed Plug and Window**  
Plugs and plug-in windows are addressed to prevent any faulty usage. (Supply plugs can not be used in the control side of the busbar and control plugs can not be used in the mains side.)



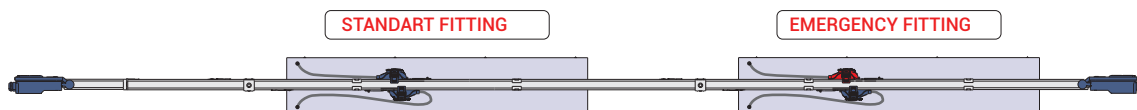
E-LINE DL-DALI



**Silver Coated Joint Contacts**  
The contacts at the joints of the busbar and the contacts of all tap-off units are silver coated. The silver coating minimises the contact impedances, thus preventing the over-heating of the contacts in case of possible over-loads

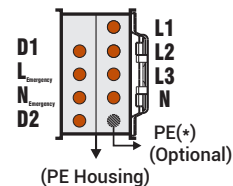


**Tin Coated Conductors and Contact Structure**  
Formation of Copper Oxide is prevented by tin plating the conductors along their full length. This ensures that contact resistances are minimised. The contacts of the tap-off plugs contact the busbar conductors on two surfaces.



### Three Phase DALI Busbar

Current (A)	Description	Conductor Conf.	Order Code	
			(4+4)	(4+5)
25	DL -2424/2425 - DALI - STD Busbar	4+4(5)	3063687	3063707
32	DL -3434/3435 - DALI - STD Busbar		3063815	3063816
40	DL -4444/4445 - DALI - STD Busbar		3063819	3063820

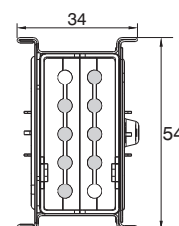
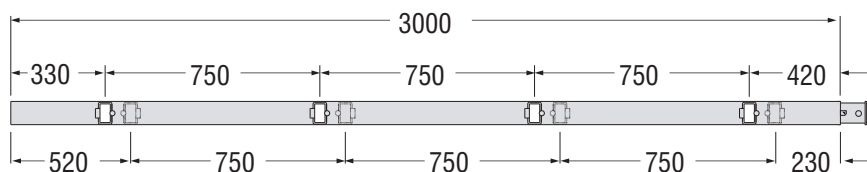
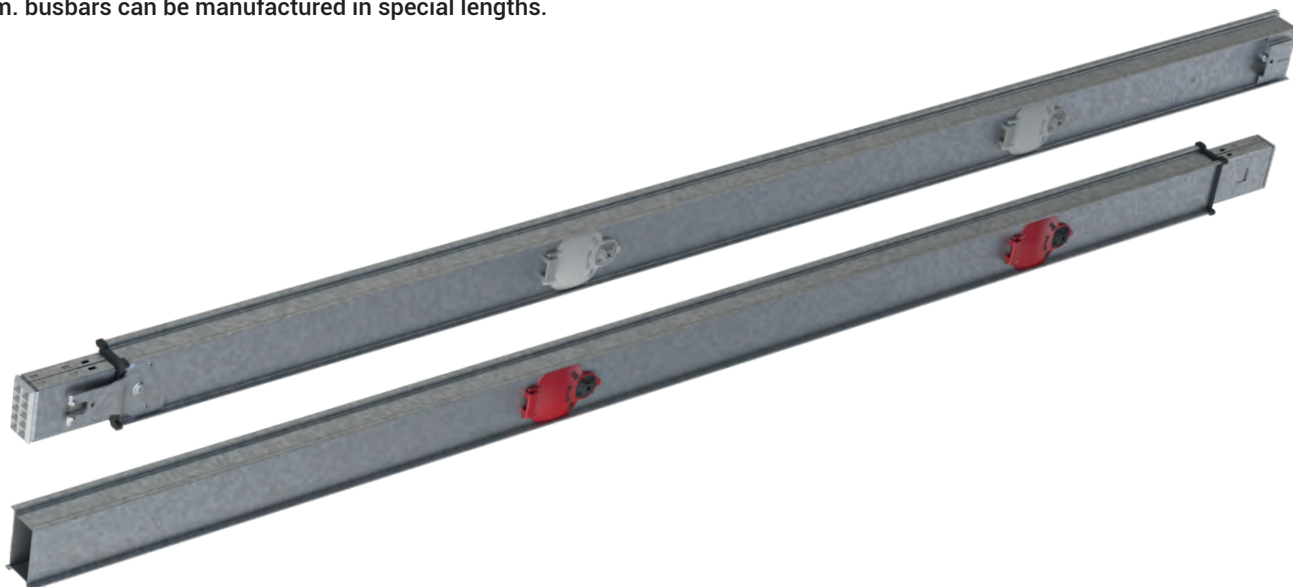


(\*) Based on requirement "PE" can be manufactured as a separate conductor independent from housing.

### Trifaze DALI Special Length Busbar

Current (A)	Description	Conductor Conf.	Order Code	
			(4+4)	(4+5)
25	DL - 2424/2425 - DALI - X Special Length Busbar	4+4(5)	3063688	3063708
32	DL - 3434/3435 - DALI - X Special Length Busbar		3063823	3063824
40	DL - 4444/3435 - DALI - X Special Length Busbar		3063827	3063828

DL - DALI Busbars are manufactured 3m as standard. Upon request 1-1,5-2-2,5m. busbars can be manufactured in special lengths.



- The body is manufactured from 0,50 mm galvanised sheet steel.
- For non-standard product, please contact our technical office.

### Control (Left Side)

#### DALI Emergency Tap-off Plug

(Cables are of 2x1.5 mm<sup>2</sup> 052XZ1-F type, and manufactured with a standard length of 0,75m. Optionally, they may be manufactured with the desired length.)

Description	Order Code	
	Halogen Free	Standard (PVC)
DL - DALI 16 -B Emergency Tap-off Plug (D1, D2)	3063689	3086999

#### DALI Emergency Tap-off Plug (K) (with Clips)

Description	Order Code
DL - DALI 16 -K Emergency Tap-off Plug (D1, D2)	3063691



#### DALI+Emergency Tap-off Plug (B)

(Cablelar 5x1,5 mm 052XZ1-F veya NYMHY tipi olup, 0,75m. standart boyda üretilmektedir. Talep halinde istenilen boyda üretilebilir.)

Description	Order Code	
	Halogen Free	Standard (PVC)
DALI+ACK 16-B Emergency Tap-off Plug (D1, L <sub>emg</sub> , N <sub>emg</sub> , D2, PE)	3063693	3086998

#### DALI Emergency Tap-off Plug (K) (with Clips)

Description	Order Code
DALI+ACK 16-K Emergency Tap-off Plug (D1, L <sub>emg</sub> , N <sub>emg</sub> , D2, PE)	3063694

#### ALI Emergency Tap-off Plug(FS) (Fuse Holder)(\*)

Description	Order Code
DALI+ACK 16-FS Emergency Tap-off Plug (D1, L <sub>emg</sub> , N <sub>emg</sub> , D2, PE)	3063695

\* The cylindrical fuse holder is 5x20mm and the fuse is not included.



**WARNING :**  
Lighting fittings must be on the same phase as the emergency kit

### Mains (Right Side)

#### DL/SL Tap-off Plugs (B)

(Cables are of 3x1.5 mm<sup>2</sup> 052XZ1-F type, and manufactured with a standard length of 0,75m. Optionally, they may be manufactured with the desired length.)

Description	Order Code	
	Halogen Free	Standard (PVC)
DL/SL 16 - B Tap-off Plug L1 (L1, N, PE Housing)	3063696	3086972
DL/SL 16 - B Tap-off Plug L2 (L2, N, PE Housing)	3063697	3086974
DL/SL 16 - B Tap-off Plug L3 (L3, N, PE Housing)	3063698	3086975
DL/SL 16 - B Tap-off Plug L1 (L1, N, PE)(*)	3063709	3086978
DL/SL 16 - B Tap-off Plug L2 (L2, N, PE)(*)	3063710	3086979
DL/SL 16 - B Tap-off Plug L3 (L3, N, PE)(*)	3063711	3086980

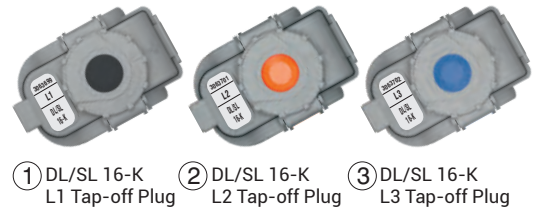
#### WARNING :

(\*) These plugs must be used when the PE protection conductor is selected as a separate conductor from the body.



#### Tap-off Plugs with Clips (K)

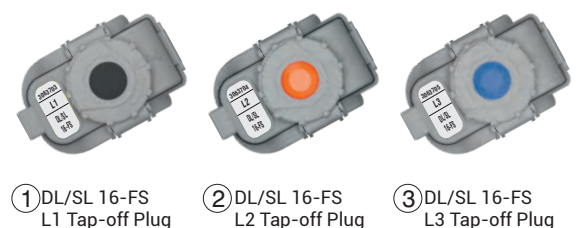
Description	Order Code
DL/SL 16 - K Tap-off Plug L1 (L1, N, PE Housing)	3063699
DL/SL 16 - K Tap-off Plug L2 (L2, N, PE Housing)	3063701
DL/SL 16 - K Tap-off Plug L3 (L3, N, PE Housing)	3063702
DL/SL 16 - K Tap-off Plug L1 (L1, N, PE)	3063712
DL/SL 16 - K Tap-off Plug L2 (L2, N, PE)	3063715
DL/SL 16 - K Tap-off Plug L3 (L3, N, PE)	3063716

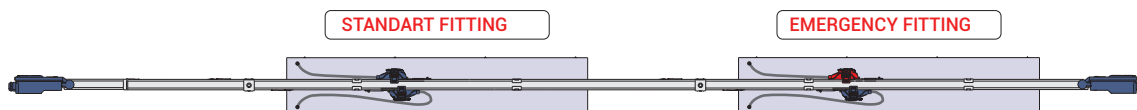


#### Fuse Holder Tap-off Plugs (FS) (\*)

Description	Order Code
DL/SL 16 - FS Tap-off Plug L1 (L1, N, PE Housing)	3063703
DL/SL 16 - FS Tap-off Plug L2 (L2, N, PE Housing)	3063704
DL/SL 16 - FS Tap-off Plug L3 (L3, N, PE Housing)	3063705
DL/SL 16 - FS Tap-off Plug L1 (L1, N, PE)	3063717
DL/SL 16 - FS Tap-off Plug L2 (L2, N, PE)	3063718
DL/SL 16 - FS Tap-off Plug L3 (L3, N, PE)	3063719

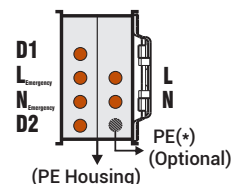
\* The cylindrical fuse holder is 5x20mm and the fuse is not included.





### Monofaze DALI Busbar

Current (A)	Description	Conductor Conf.	Order Code	
			(4+2)	(4+3)
25	DL -2422/2423 - DALI - STD Busbar	4+2(3)	3063721	3063723
32	DL -3432/3433 - DALI - STD Busbar		3063817	3063818
40	DL -4442/4443 - DALI - STD Busbar		3063821	3063822

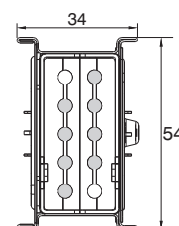
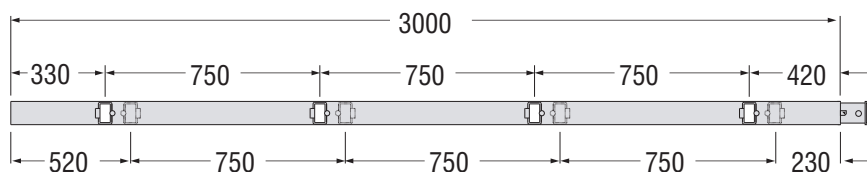
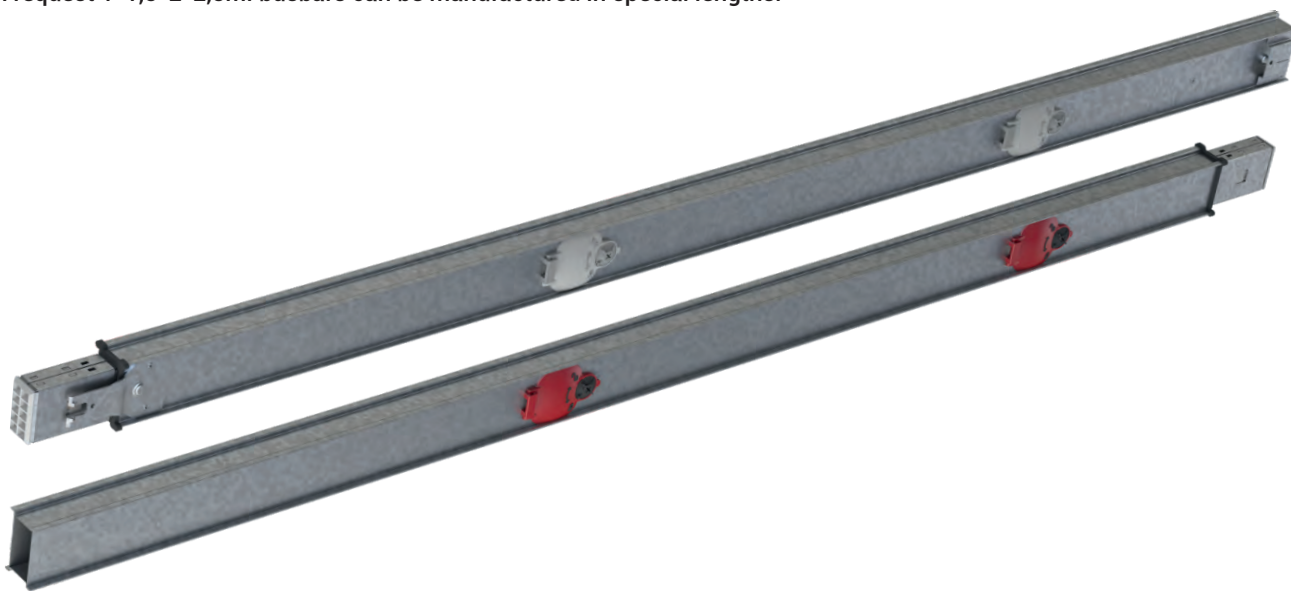


Based on requirement "PE" can be manufactured as a separate conductor independent from housing.

### Monofaze DALI Special Length Busbar

Current (A)	Description	Conductor Conf.	Order Code	
			(4+2)	(4+3)
25	DL - 2422/2423 - DALI - X Special Length Busbar	4+2(3)	3063722	3063724
32	DL - 3432/3433 - DALI - X Special Length Busbar		3063825	3063826
40	DL - 4442/3433 - DALI - X Special Length Busbar		3063829	3063831

DL - DALI Busbars are manufactured 3m as standard.  
Upon request 1-1,5-2-2,5m. busbars can be manufactured in special lengths.



- The body is manufactured from 0,50 mm galvanised sheet steel.
- For non-standard product, please contact our technical office.

### Control (Left Side)

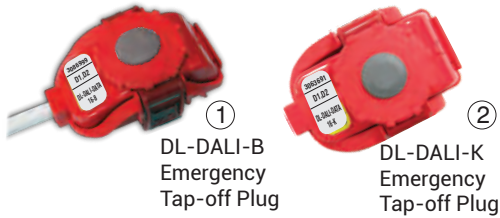
#### DALI Emergency Tap-off Plug

(Cables are of 2x1.5 mm<sup>2</sup> 052XZ1-F type, and manufactured with a standard length of 0,75m. Optionally, they may be manufactured with the desired length.)

Description	Order Code	
	Halogen Free	Standard (PVC)
DL - DALI 16 -B Emergency Tap-off Plug (D1, D2)	3063689	3086999 ①

#### DALI Emergency Tap-off Plug (K) (with Clips)

Description	Order Code
DL - DALI 16 -K Emergency Tap-off Plug (D1, D2)	3063691 ②



#### DALI+Emergency Tap-off Plug (B)

(Cablelar 5x1,5 mm 052XZ1-F veya NYMHY tipi olup, 0,75m. standart boyda üretilmektedir. Talep halinde istenilen boyda üretilebilir.)

Description	Order Code	
	Halogen Free	Standard (PVC)
DALI+ACK 16-B Emergency Tap-off Plug (D1, L <sub>emg</sub> , N <sub>emg</sub> , D2, PE)	3063693	3086998

#### DALI Emergency Tap-off Plug (K) (with Clips)

Description	Order Code
DALI+ACK 16-K Emergency Tap-off Plug (D1, L <sub>emg</sub> , N <sub>emg</sub> , D2, PE)	3063694

#### ALI Emergency Tap-off Plug(FS) (Fuse Holder)(\*)

Description	Order Code
DALI+ACK 16-FS Emergency Tap-off Plug (D1, L <sub>emg</sub> , N <sub>emg</sub> , D2, PE)	3063695

\* The cylindrical fuse holder is 5x20mm and the fuse is not included.



**WARNING :**  
Lighting fittings must be on the same phase as the emergency kit

### Mains (Right Side)

#### DL/SL Tap-off Plugs (B)

(Cables are of 3x1.5 mm<sup>2</sup> 052XZ1-F type, and manufactured with a standard length of 0,75m. Optionally, they may be manufactured with the desired length.)

Description	Order Code	
	Halogen Free	Standard (PVC)
DL / SL 16 - B Tap-off Plug (L, N, PE Housing)	3063698	3086975
DL / SL 16 - B Tap-off Plug (L, N, PE) (*)	3063711	3086980

Optional {

#### WARNING :

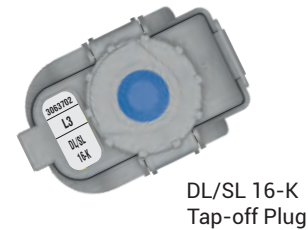
(\*) These plugs must be used when the PE protection conductor is selected as a separate conductor from the body.



#### Single Phase Tap-off Plugs with Clips (K)

Description	Order Code
DL / SL 16 - K Tap-off Plug (L, N, PE Housing)	3063702
DL / SL 16 - K Tap-off Plug (L, N, PE)	3063716

Optional {

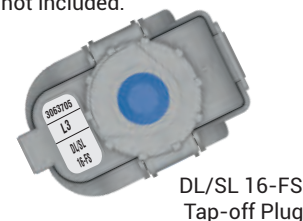


#### Single Phase Fuse Holder Tap-off Plugs (FS)(\*)

Description	Order Code
DL / SL 16 - FS Tap-off Plug (L, N, PE Housing)	3063705
DL / SL 16 - FS Tap-off Plug (L, N, PE) (*)	3063719

Optional {

\* The cylindrical fuse holder is 5x20mm and the fuse is not included.



# E-LINE DL

## Product Selection Tables / Feeder Units

### (B1) Feeder Box

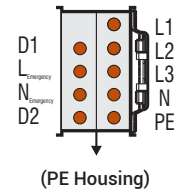
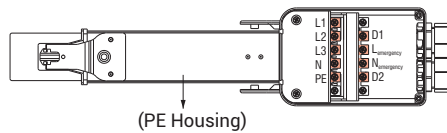
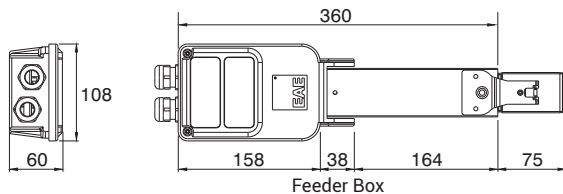


Current (A)	Description	Conductor Conf.	Order Code
25	DL - 2425 - DALI - B1 Feeder Box	4+5	3024938
	DL - 2425 - DALI - B1 Feeder Box (3xM25 Rakorlu) (*)		3047853
32	DL - 3435 - DALI - B1 Feeder Box		3063832
	DL - 3435 - DALI - B1 Feeder Box (3xM25 Rakorlu) (*)		3063872
40	DL - 4445 - DALI - B1 Feeder Box		3056015
	DL - 4445 - DALI - B1 Feeder Box (3xM25 Rakorlu) (*)		3063874



\* With PE conductor and M25 Gland as standard.

### (FD) Flexible Elbow

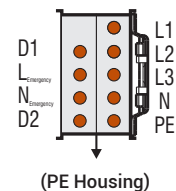
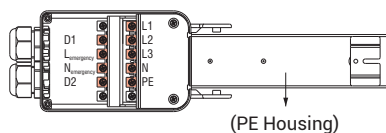
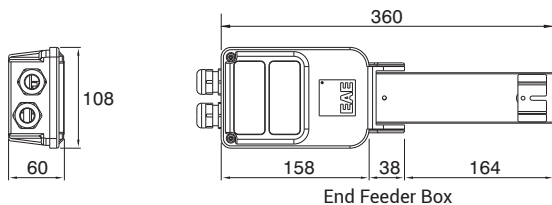


### (B2) End Feeder Box

Current (A)	Description	Conductor Conf.	Order Code
25	DL - 2524 - DALI - B2 End Feeder Box	5+4	3024939
	DL - 2524 - DALI - B2 End Feeder Box (3xM25 Rakorlu) (*)		3047854
32	DL - 3534 - DALI - B2 End Feeder Box		3063834
	DL - 3534 - DALI - B2 End Feeder Box (3xM25 Rakorlu) (*)		3063873
40	DL - 4544 - DALI - B2 End Feeder Box		3056139
	DL - 4544 - DALI - B2 End Feeder Box (3xM25 Rakorlu) (*)		3063875



\* With PE conductor and M25 Gland as standard.



### WARNING :

(\*) The main supply, DALI and emergency kit (ACK) supply must be selected from the DL-DALI busbar start/end supply units which has 3 (three) union types.

- The body is manufactured from 0,50 mm galvanised sheet steel.
- For non-standard product, please contact our technical office.

# E-LINE DL

## Product Selection Tables / Feeder Units

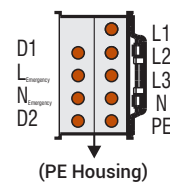
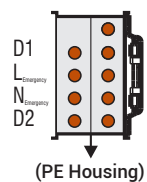
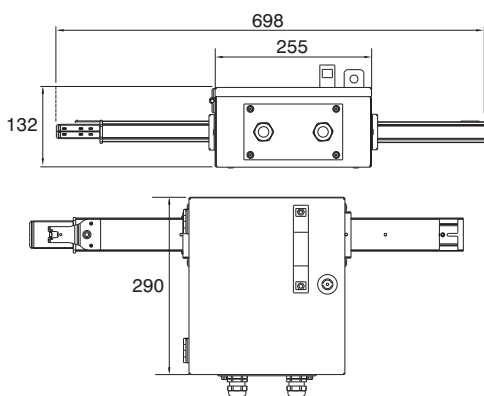
### (BO) Central Feeder Box



Current (A)	Description	Conductor Conf.	Order Code
25	DL - 2425 - DALI - BO Central Feeder	4+5	3133087
32	DL - 3435 - DALI - BO Central Feeder		3133148
40	DL - 4445 - DALI - BO Central Feeder		3133150



\* With PE conductor and M25 Gland as standard.

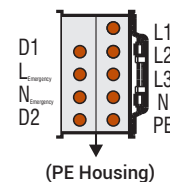
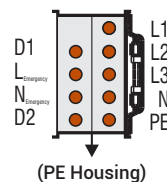
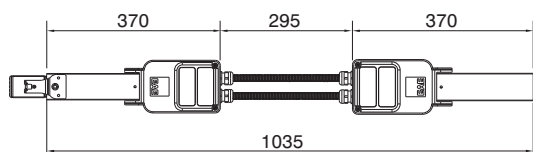


### (FD) Flexible Elbow

Current (A)	Description	Conductor Conf.	Order Code
25	DL - 2425 - DALI - FD Flexible Elbow	4+5	3024941
32	DL - 3435 - DALI - FD Flexible Elbow		3063836
40	DL - 4445 - DALI - FD Flexible Elbow		3063785



\* With PE conductor and M25 Gland as standard.

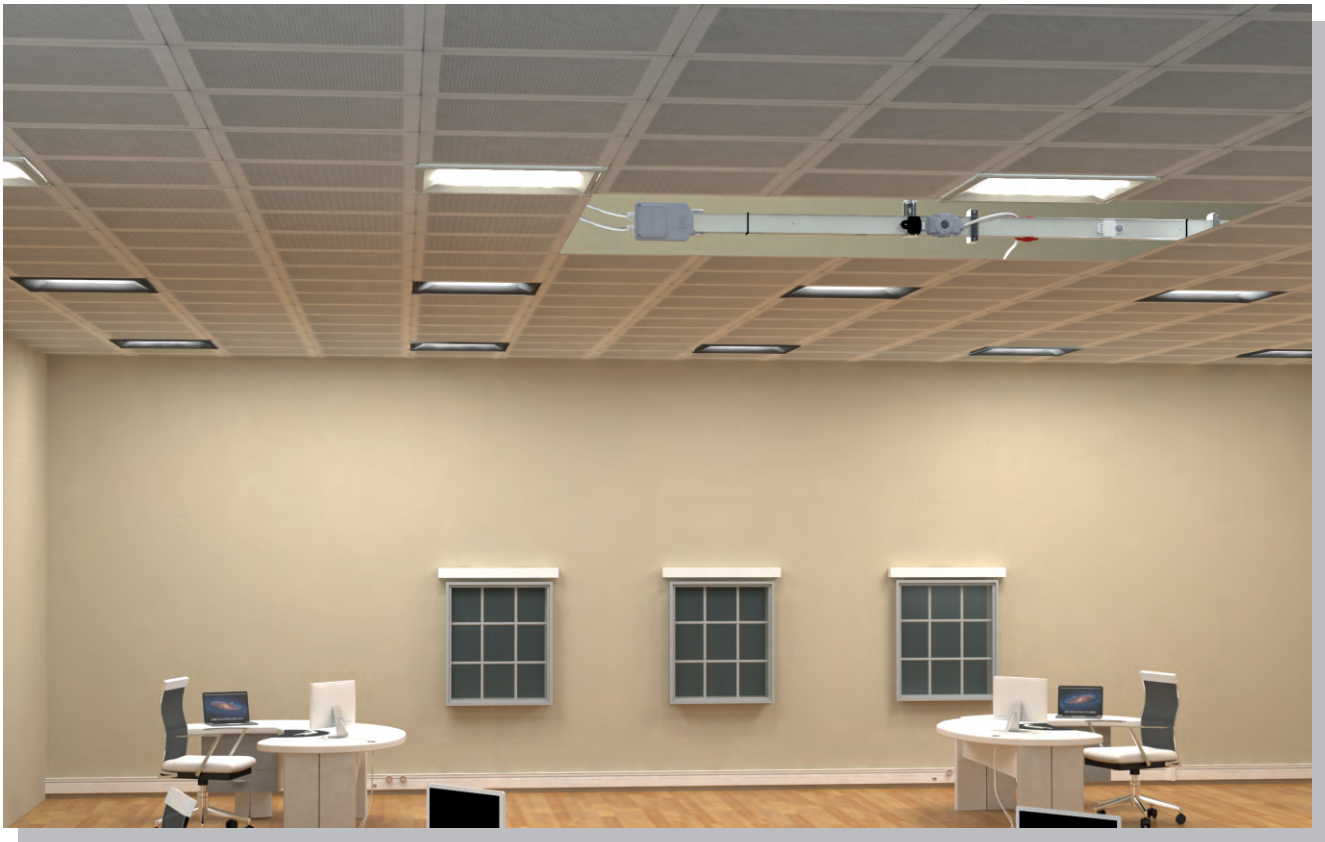


- The body is manufactured from 0,50 mm galvanised sheet steel.
- For non-standard product, please contact our technical office.

# E-LINE DL

## Application Areas

### Offices



### Plants





# E-LINE DL

## Product Selection Tables / Busbars



### DL-DIM Busbar

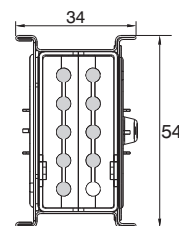
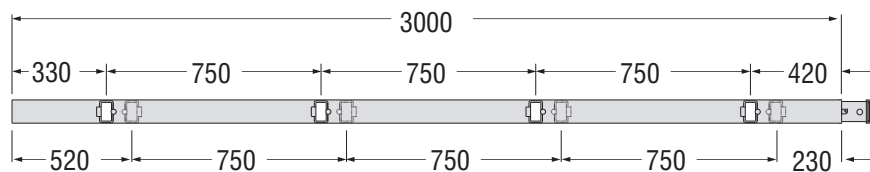
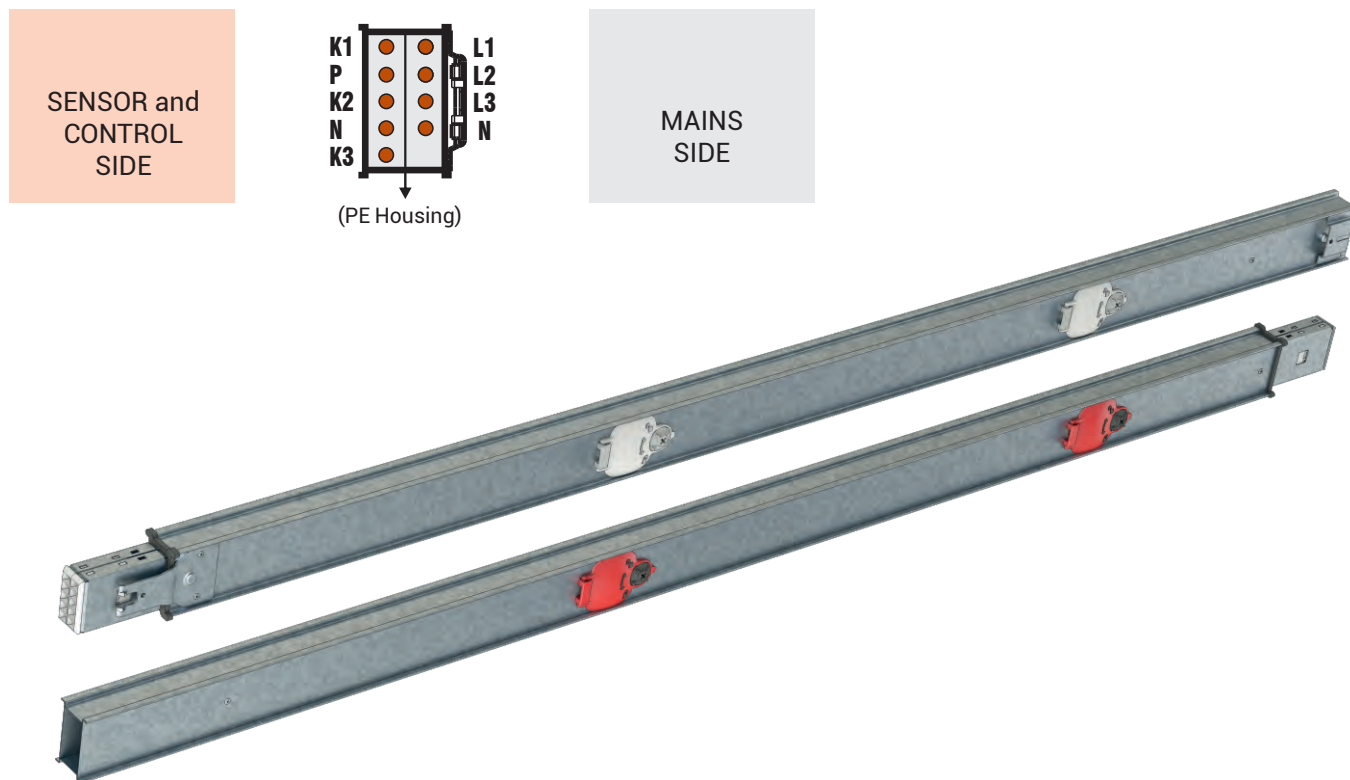
Current (A)	Description	Conductor Conf.	Order Code
25	DL - 2524 - DIM - STD Busbar	5+4	3048449
32	DL - 3534 - DIM - STD Busbar		3063859
40	DL - 4544 - DIM - STD Busbar		3063860

### DL-DIM Special Length Busbar

Current (A)	Description	Conductor Conf.	Order Code
25	DL - 2524 - DIM - X Special Length Busbar	5+4	3048450
32	DL - 3534 - DIM - X Special Length Busbar		3063863
40	DL - 4544 - DIM - X Special Length Busbar		3063864

E-Line DL - DIM Busbar; The lighting fittings with corridor function ballast are locally controlled with a max and min of 2 levels of "DIM".

DL - DIM Busbars are manufactured 3m as standard.  
Upon request 1-1,5-2-2,5m busbars can be manufactured in special lengths.



- The body is manufactured from 0,50 mm galvanised sheet steel.
- For non-standard product, please contact our technical office.

# E-LINE DL

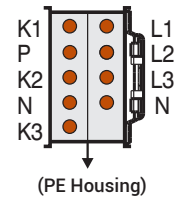
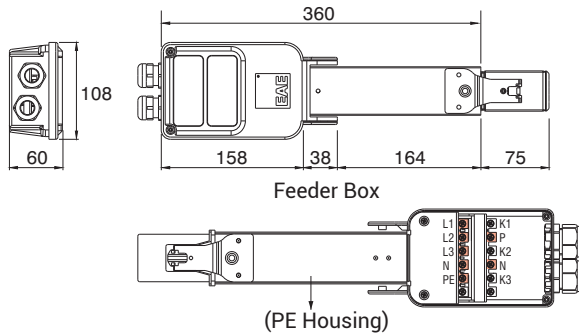
## Product Selection Tables / Feeder Units

### (B1) Feeder Box



Current (A)	Description	Conductor Conf.	Order Code
25	DL - 2524 - DIM - B1 Feeder Box	5+4	3133498
32	DL - 3534 - DIM - B1 Feeder Box		3133507
40	DL - 4544 - DIM - B1 Feeder Box		3133509

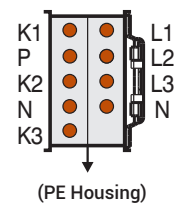
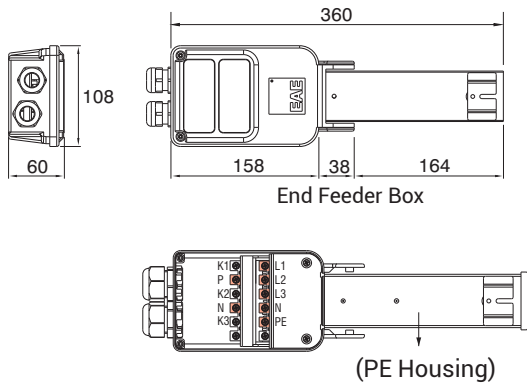
\* With PE conductor and M25 Gland as standard.



### (B2) End Feeder Box

Current (A)	Description	Conductor Conf.	Order Code
25	DL - 2524 - DIM - B2 End Feeder Box	4+5	3133511
32	DL - 3534 - DIM - B2 End Feeder Box		3133513
40	DL - 4544 - DIM - B2 End Feeder Box		3133515

\* With PE conductor and M25 Gland as standard.



E-LINE DL-DIM

- The body is manufactured from 0,50 mm galvanised sheet steel.
- For non-standard product, please contact our technical office.

# E-LINE DL

## Product Selection Tables / Feeder Units

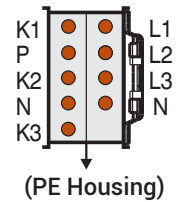
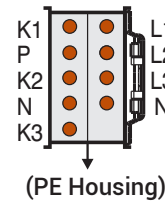
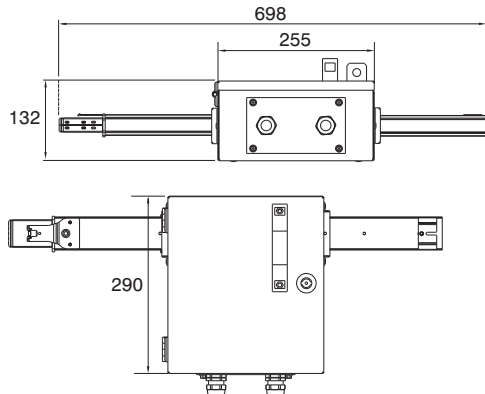
### (BO) Central Feeder Box



Current (A)	Description	Conductor Conf.	Order Code
25	DL - 2524 - DIM - BO Central Feeder Box	5+4	3133152
32	DL - 3534 - DIM - BO Central Feeder Box		3133154
40	DL - 4544 - DIM - BO Central Feeder Box		3133156



\* With PE conductor and M25 Gland as standard.

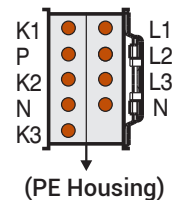
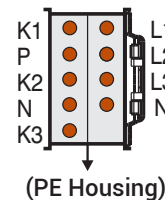
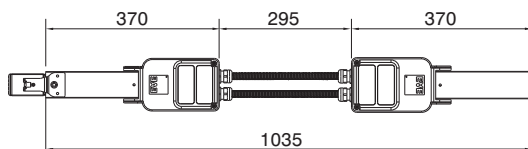


### (FD) Flexible Elbow (1)

Current (A)	Description	Conductor Conf.	Order Code
25	DL - 2524 - DIM - FD (1) Flexible Elbow	5+4	3048453
32	DL - 3534 - DIM - FD (1) Flexible Elbow		3063857
40	DL - 4544 - DIM - FD (1) Flexible Elbow		3063858



\* With PE conductor and M25 Gland as standard.

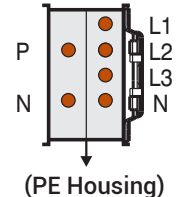
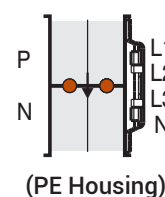
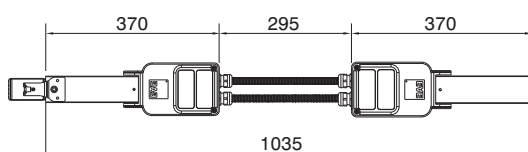


### (FD) Flexible Elbow (2)

Current (A)	Description	Conductor Conf.	Order Code
25	DL - 2224 - DIM - FD (2) Flexible Elbow	2+4	3066726
32	DL - 3234 - DIM - FD (2) Flexible Elbow		3066728
40	DL - 4244 - DIM - FD (2) Flexible Elbow		3066730



\* With PE conductor and M25 Gland as standard.



- The body is manufactured from 0,50 mm galvanised sheet steel.
- For non-standard product, please contact our technical office.

# E-LINE DL

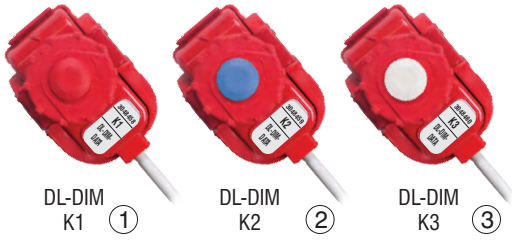
## Product Selection Tables / Tap-off Plugs



### Control (Left Side)

**DL-DIM Emergency Tap-off Plug (B)**  
(Cablelar 2x1,5 mm 052XZ1-F veya NYMHY tipi olup, 0,75m. standart boyda üretilmektedir. Talep halinde istenilen boyda üretilebilir.)

Description	Order Code		
	Halogen Free	Standard (PVC)	
DL - DIM - K1 Emergency Tap-off Plug (K1, N)	3048458	3087000	①
DL - DIM - K2 Emergency Tap-off Plug (K2, N)	3048459	3087002	②
DL - DIM - K3 Emergency Tap-off Plug (K3, N)	3048460	3087004	③



**DL-DIM Sensor Control Tap-off Plug (B)**  
(Cablelar 3x1,5 mm 052XZ1-F veya NYMHY tipi olup, 0,75m. standart boyda üretilmektedir. Talep halinde istenilen boyda üretilebilir.)

Description	Order Code		
	Halogen Free	Standard (PVC)	
DL - DIM - S1 Tap-off Plug (K1, P, N)	3048455	3087006	①
DL - DIM - S2 Tap-off Plug (K2, P, N)	3048456	3087007	②
DL - DIM - S3 Tap-off Plug (K3, P, N)	3048457	3087008	③



**DL-DIM + ACK Emergency Tap-off Plug (B)**  
Cables are of 3x1.5 mm<sup>2</sup> 052XZ1-F type, and manufactured with a standard length of 0,75m. Optionally, they may be manufactured with the desired length.)

Description	Order Code		
	Halogen Free	Standard (PVC)	
DL - DIM - K1 - ACK Emergency Tap-off Plug (K1, P, N)	3048461	3087001	①
DL - DIM - K2 - ACK Emergency Tap-off Plug (K2, P, N)	3048462	3087003	②
DL - DIM - K3 - ACK Emergency Tap-off Plug (K3, P, N)	3048463	3087005	③

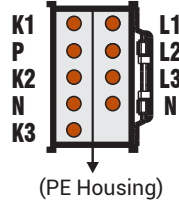
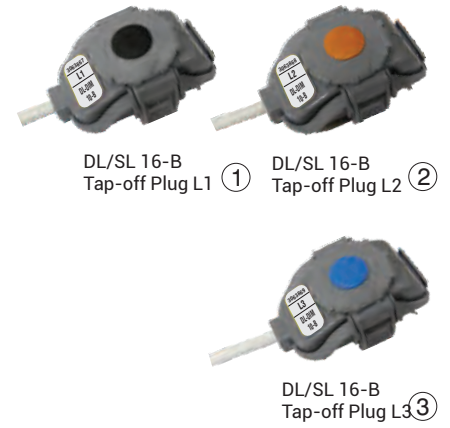


- The body is manufactured from 0,50 mm galvanised sheet steel.
- For non-standard product, please contact our technical office.

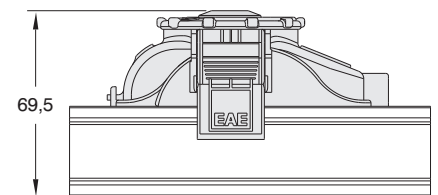
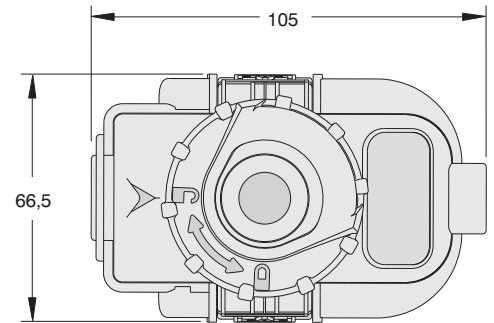
### Mains (Right Side)

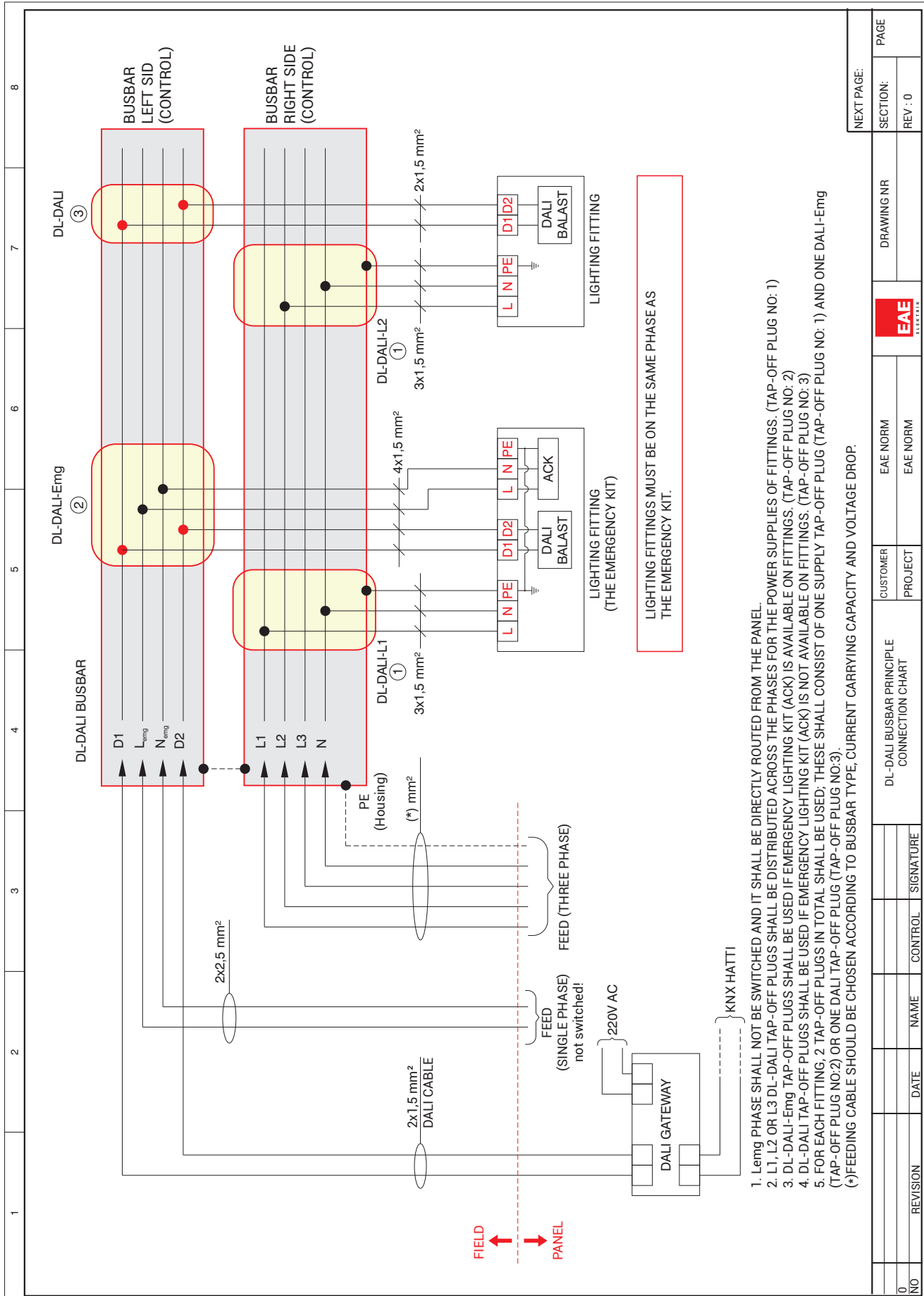
**DL / SL Tap-off Plugs (B)**  
(Cablelar 3x1,5 mm 052XZ1-F veya NYMHY tipi olup, 0,75m. standart boyda üretilmektedir. Talep halinde istenilen boyda üretilebilir.)

Description	Order Code	
	Halogen Free	Standard (PVC)
DL / SL 16 - B Tap-off Plug L1 (L1, N, PE)	3063696	3086972
DL / SL 16 - B Tap-off Plug L2 (L2, N, PE)	3063697	3086974
DL / SL 16 - B Tap-off Plug L3 (L3, N, PE)	3063698	3086975



**WARNING :**  
Lighting fittings must be on the same phase as the emergency kit





NEXT PAGE:	
SECTION:	PAGE
REV : 0	

DRAWING NR	EAE ELEKTRİK
EAE NORM	EAE NORM

CUSTOMER	PROJECT
----------	---------

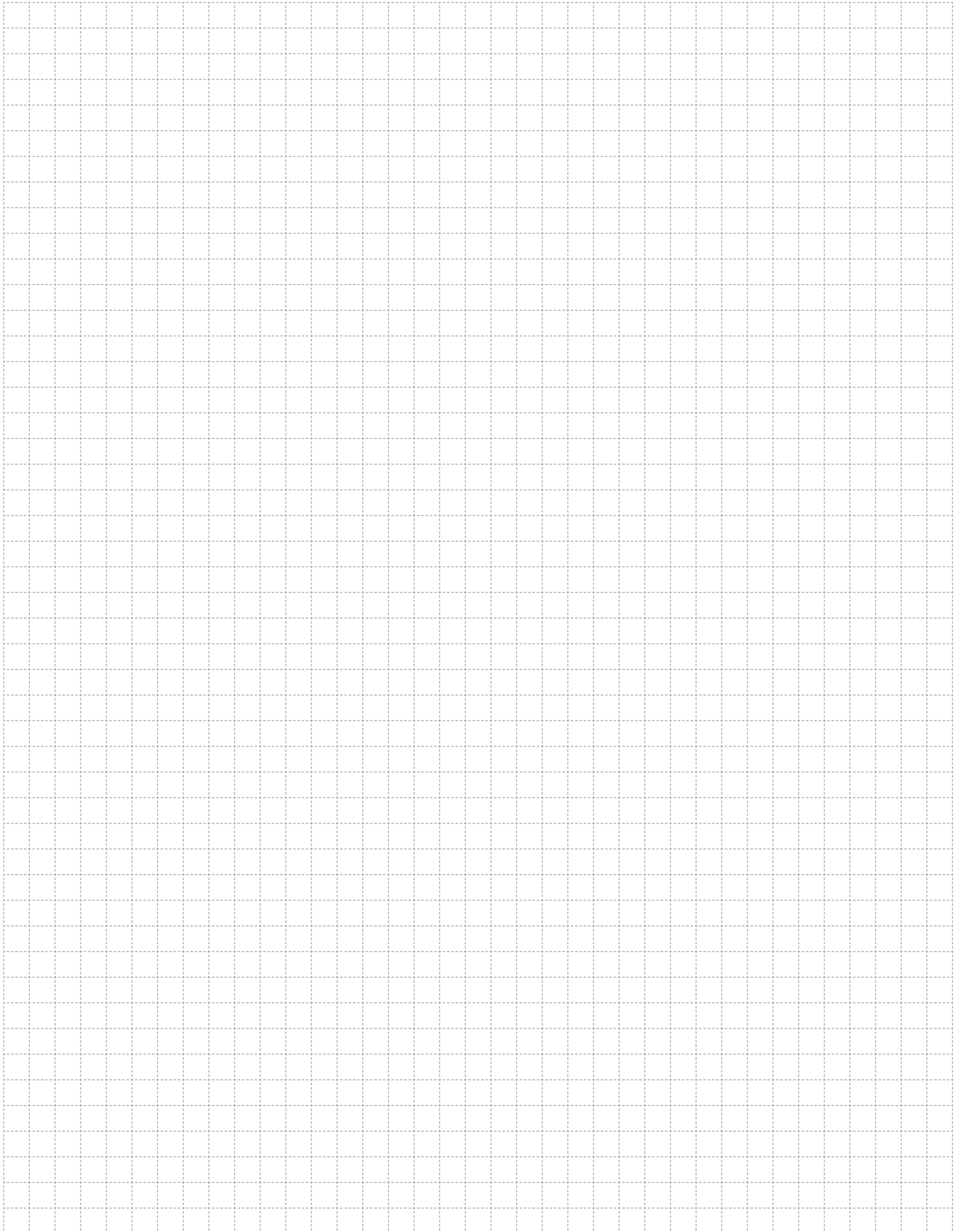
DL-DALI BUSBAR PRINCIPLE CONNECTION CHART
---

REVISION	DATE	NAME	CONTROL	SIGNATURE
----------	------	------	---------	-----------

NO	REVISION	DATE	NAME	CONTROL	SIGNATURE
----	----------	------	------	---------	-----------

NO	REVISION	DATE	NAME	CONTROL	SIGNATURE
----	----------	------	------	---------	-----------

NO	REVISION	DATE	NAME	CONTROL	SIGNATURE
----	----------	------	------	---------	-----------

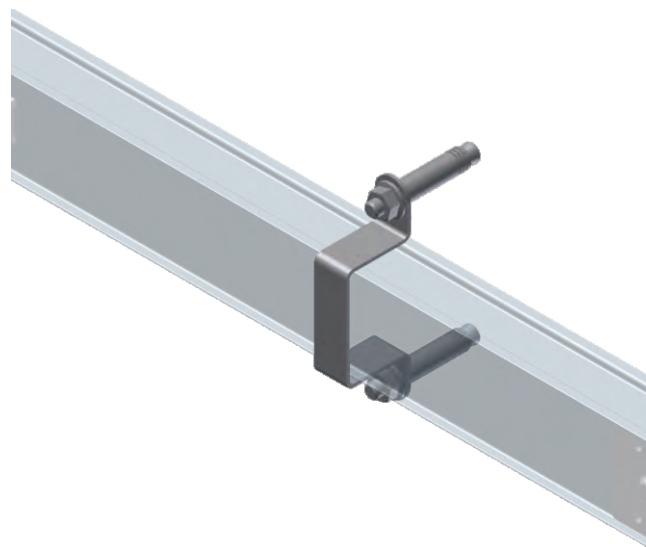
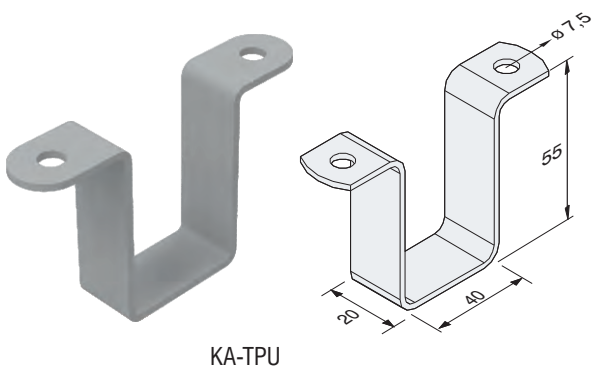


A large grid area for taking notes, consisting of a 20x30 grid of small squares. The grid is formed by dashed lines and occupies the majority of the page.

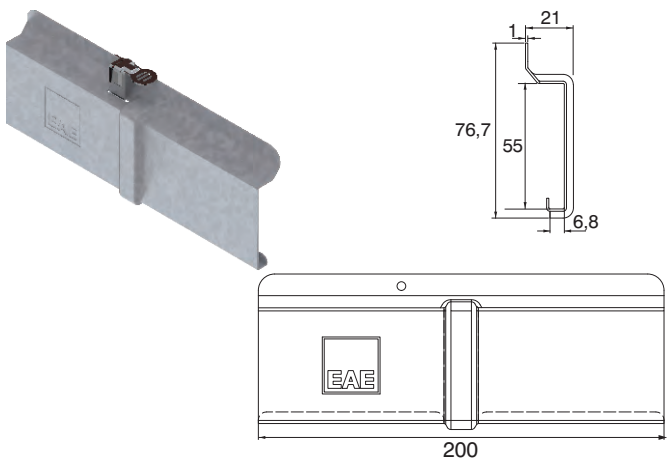
# E-LINE DL

## Brackets and Joints

Description	Order Code
KA - TPU Fitting U - Unpainted	3025158
KA - TPU Fitting U - Painted	3025159



Description	Order Code
DL / SL Joint Cover-Unpainted	1015520
DL / SL Joint Cover-Painted	2054580



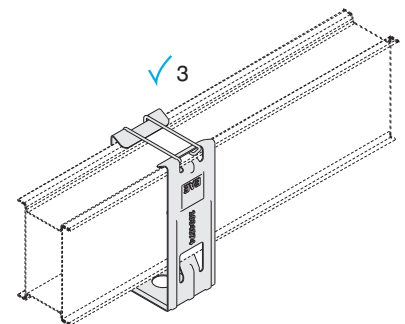
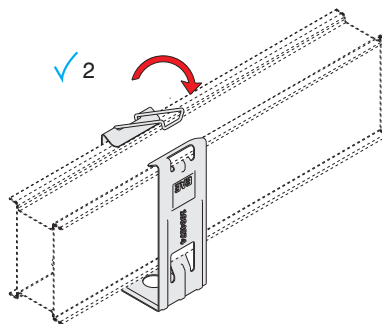
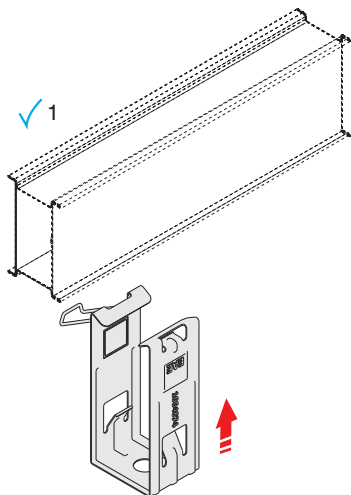
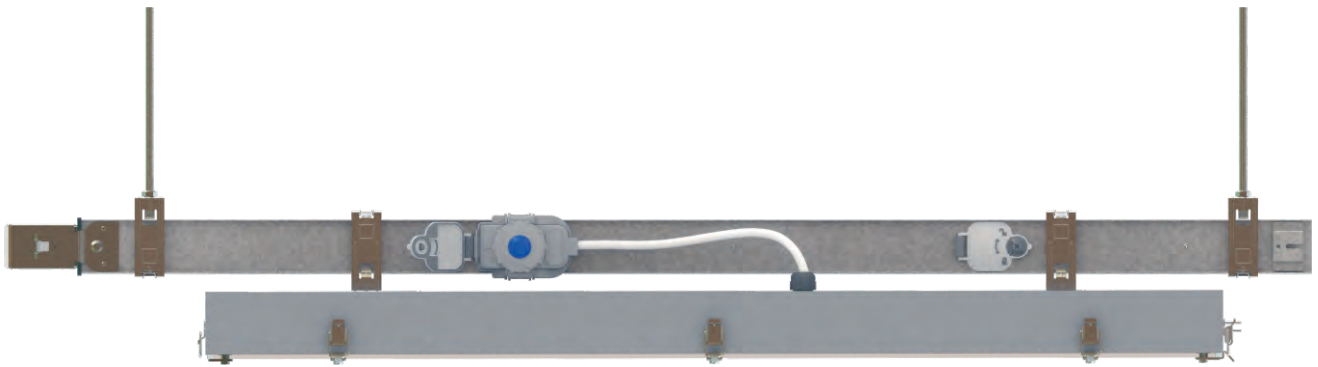
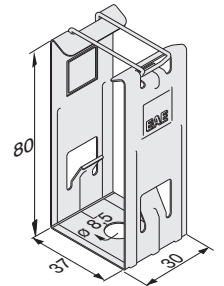
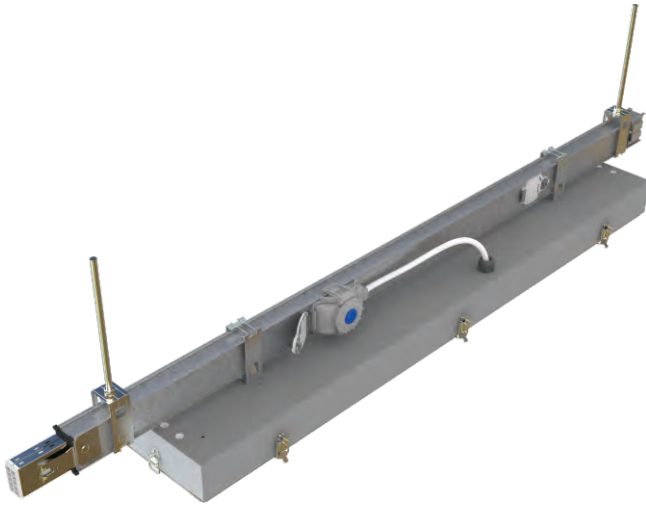
**WARNING:**  
The joint cover must be attached to the screwless side of the busbar

# E-LINE DL

## Busbar and Fitting Brackets



Description	Order Code
U-Bracket - Unpainted	1004874
U-Bracket - Painted	2037294



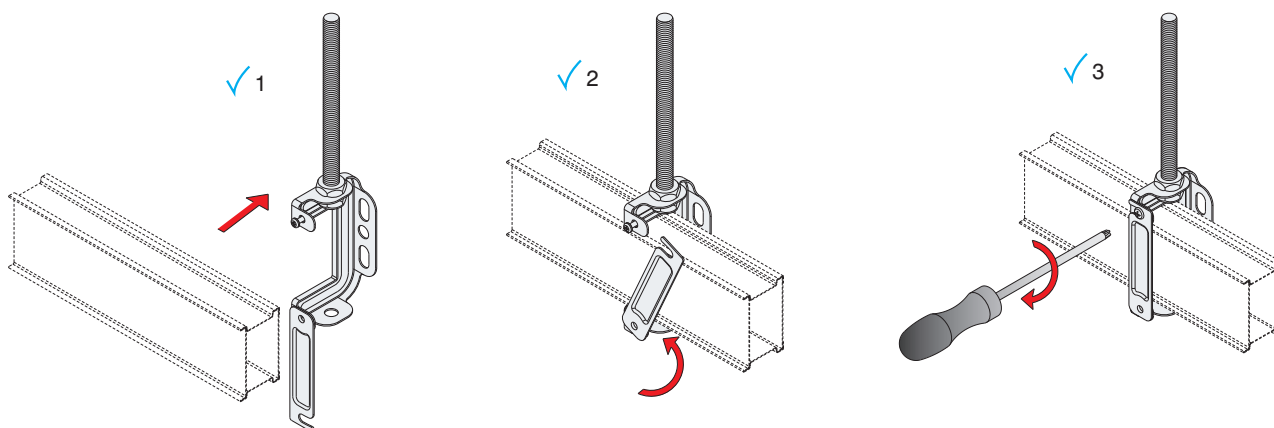
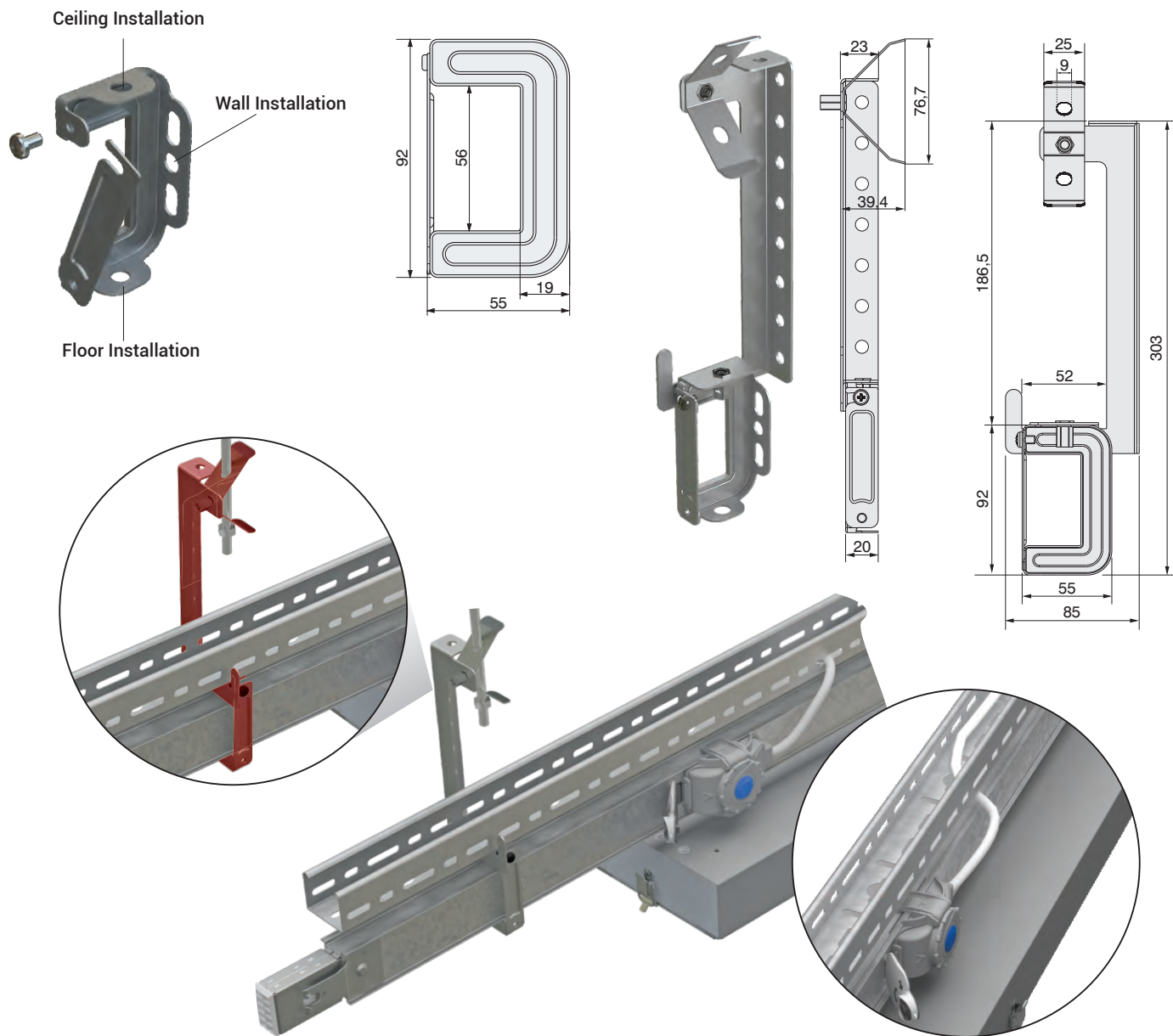
# E-LINE DL

## Busbar and Fitting Brackets



Description	Order Code
Universal Fitting Bracket - Unpainted	1004189
Universal Fitting Bracket - Painted	2033519

Description	Order Code
DL/SL Multifunctional Bracket - Unpainted	3122646
DL/SL Multifunctional Bracket - Painted	3122647

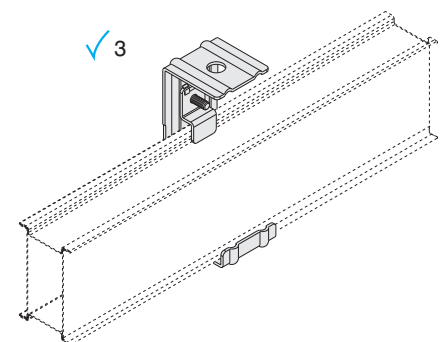
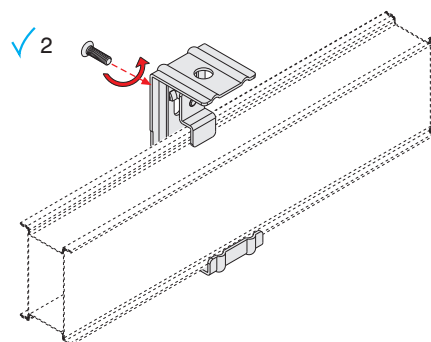
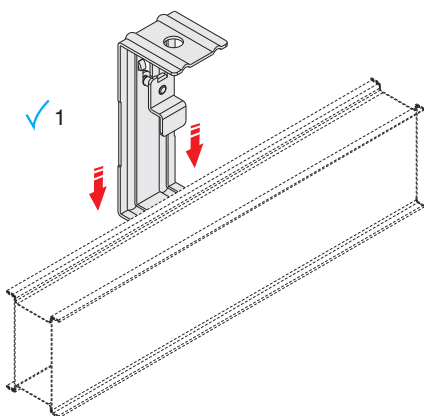
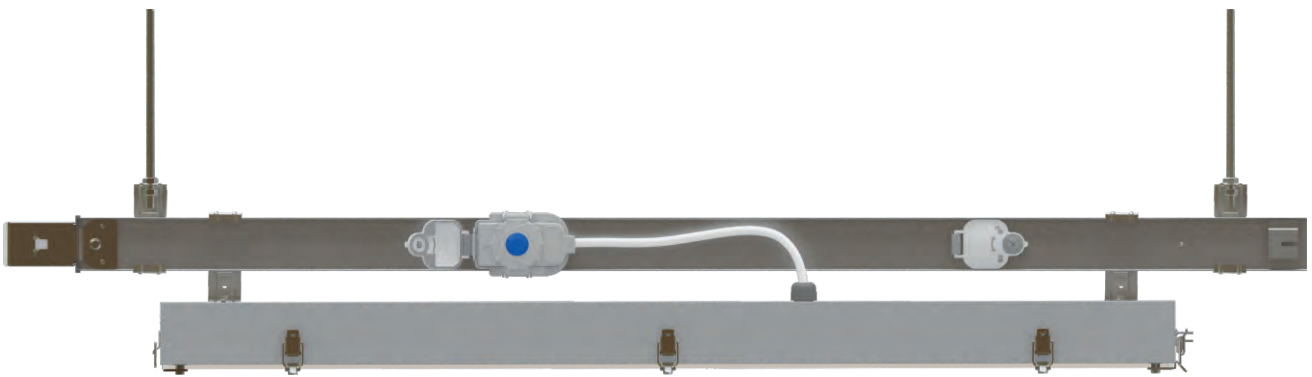
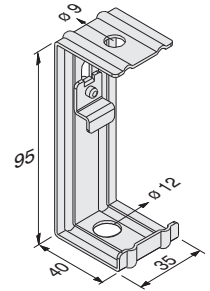
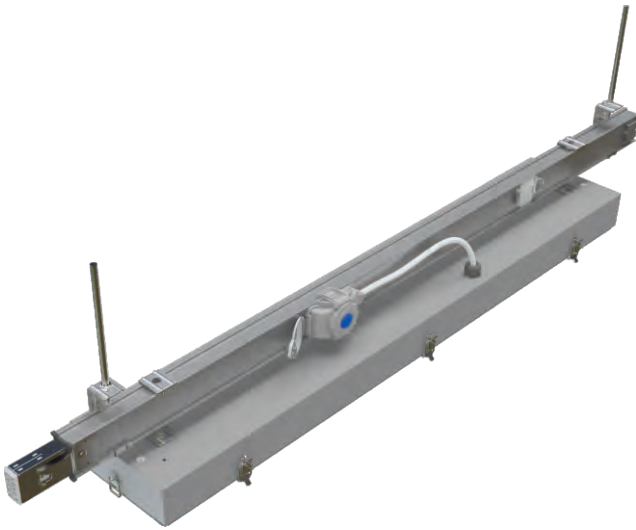


# E-LINE DL

## Busbar and Fitting Brackets



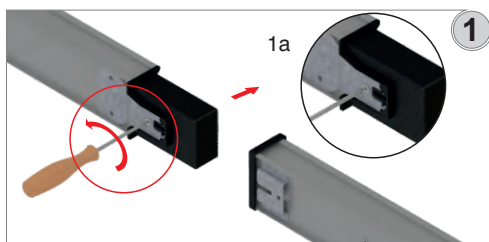
Description	Order Code
L-Bracket - Unpainted	1004283
L-Bracket - Painted	2037295



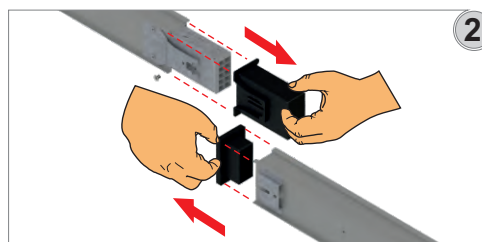
# E-LINE DL

## Busbar Joint Installation

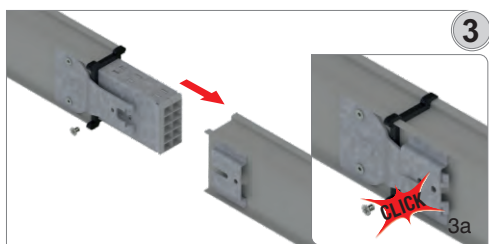
### DL Busbar Joint Installation



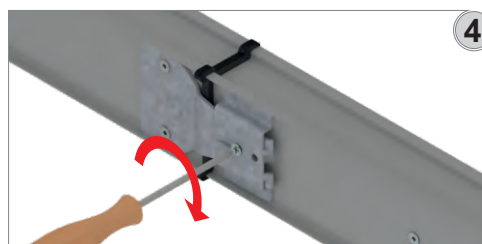
Detach the protective plastic from both ends of the busbar.(1a)



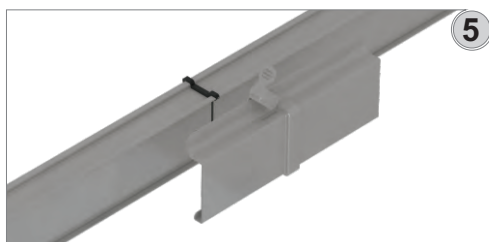
Remove the plastic protective covers from the system as shown in the figure.



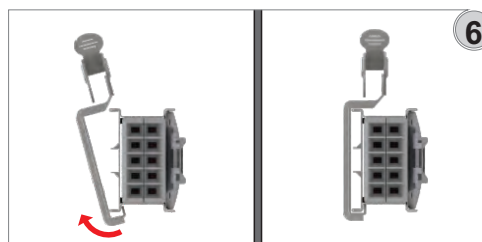
Connect the male side of the busbar with the female side of the other busbar. Make sure that you hear the locking sound for correct connection. (3a)



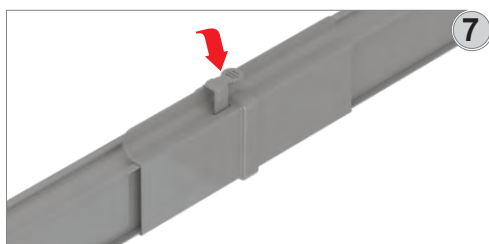
Tightening the joint screw.



Install the joint cover to the screwless side.



Make sure that the joint cover structure fully grips the busbars.  
(Caution: The joint cover must be attached to the screwless side of the busbar.)

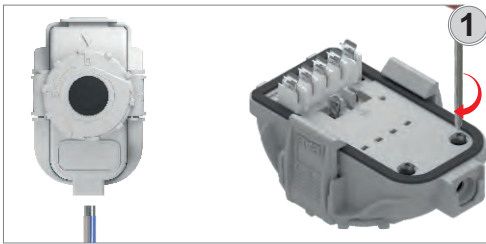


By closing the snap-in latch, you may complete the snap-in connection.

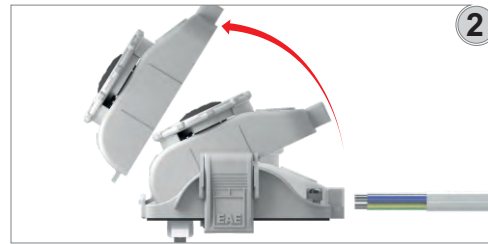
# E-LINE DL

## Tap-off Plug Fixing

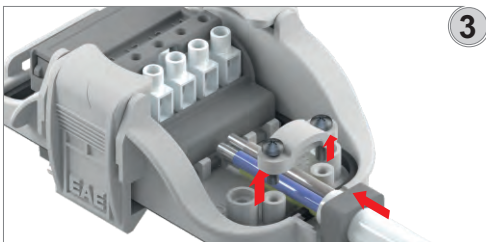
### Tap-off Plugs with clips/Cylindrical Fuse Installation



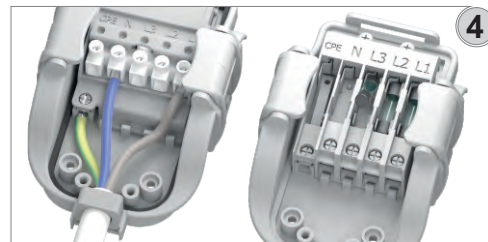
Use 052XZ1-F type cable, (3x1,5mm<sup>2</sup> for single phase, 5x1,5mm<sup>2</sup> for three phase) as required. Turn over the plug and remove the two screws.



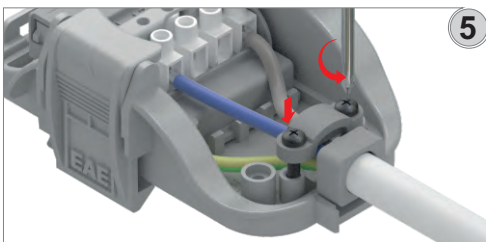
Remove the cover by pressing the lug with EAE logo as shown in figure.



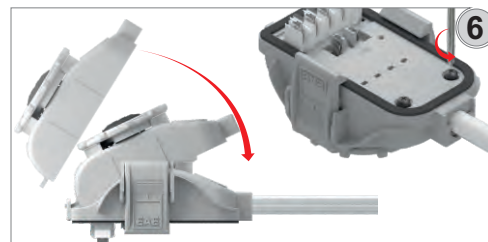
Remove the plastic cable grip. Pass the cable through the gland which maintains the IP rating.



Connect the yellow green cable to the earth terminal, blue cable to "N" terminal and phase cables to related terminals of plug.

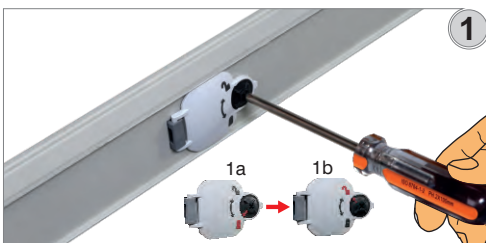


Refit the plastic cable grip.

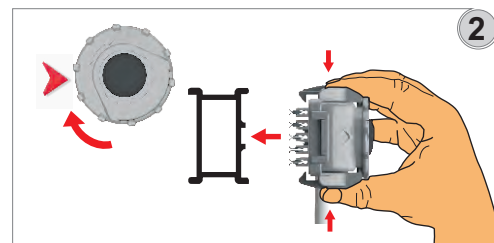


Replace the cover and turn over the plug and tighten the screws.

## Tap-off Plug Fixing



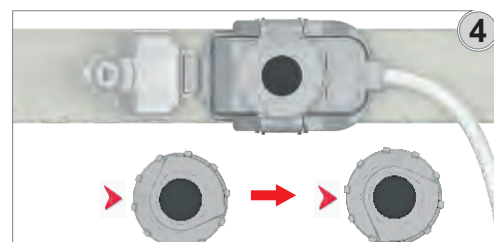
Turn the locking button on the busbar to OPEN ( ) position.



Put the lock mechanism of plug into open ( ) position.



Direction of contacts should be as shown figure.

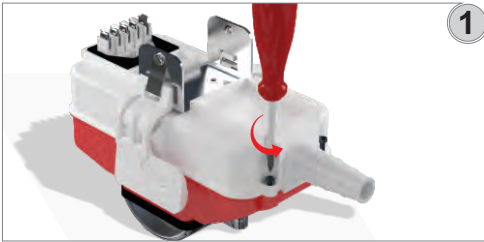


After fixing the plug to the busbar properly, turn the locking knob to LOCK ( ) position

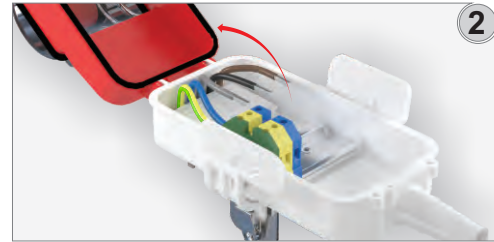
# E-LINE DL

## Tap-off Box Installation

### Mounting Tap-off Box with Miniature Circuit Breaker (MCB)



Use 052XZ1-F type cable, (3x2,5mm<sup>2</sup> for single phase, 5x2,5mm<sup>2</sup> for three phase) as required. Turn over the tap-off box and remove the two screws.



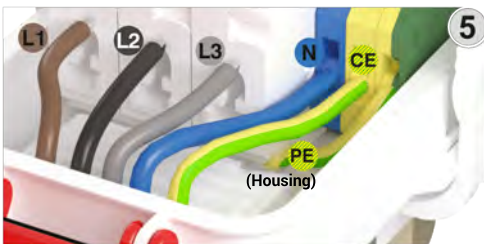
Open the cover of tap-off box.



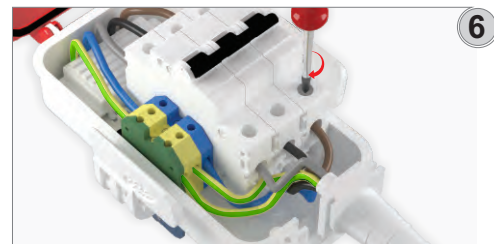
Remove the plastic cable grip. Pass the cable through the gland which maintains the IP rating.



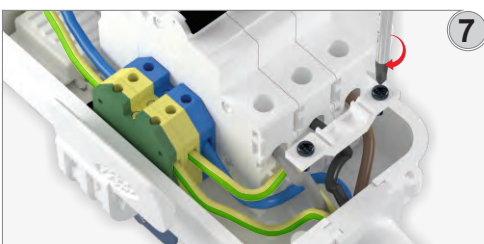
Install the MCB with a maximum of 25A to the DIN rail. (MCB should be "OFF" position.)



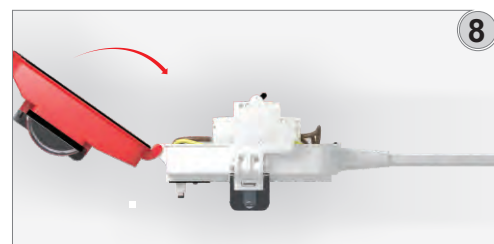
Connect the wiring at fuse entry terminal according to the colour combination as shown in the image. Make sure that the screws are tight.



Install the feeder cable at the fuse outlet terminal in the same way. Make sure that the screws are tight.



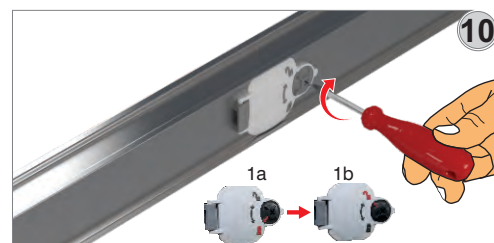
Refit the plastic cable grip.



Close the cover of tap-off box.



Turn over the tap-off box and tighten the screws. Make sure that the screws are tight.

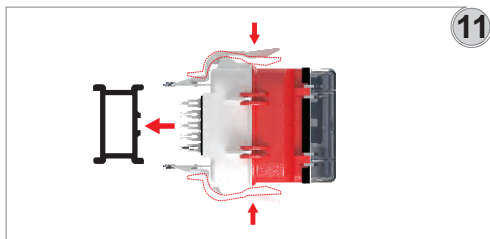


Put the plug in cover into open (☐) position.

# E-LINE DL

## Tap-off Box Installation

### Mounting Tap-off Box with Miniature Circuit Breaker (MCB)



Align tap-off box with busbar plug-in while squeezing the ears on the sides of tap-off boxes.



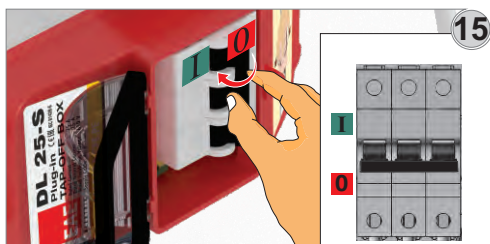
Direction at the tap-off box should be as shown in figure.



First, connect product earth terminal to busbar plug-in point. Then make sure that other terminals connect to busbar. Finally you should hear "CLICK" sound when you press tap-off box towards busbar.



Open the transparent cover of the tap-off box by un-tightening the screw.



Put " Miniature Circuit Breaker (MCB) "ON" position.



Close the transparent cover of the tap-off box by screwing.

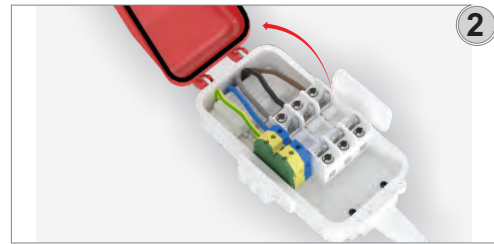
# E-LINE DL

## Tap-off Box Installation

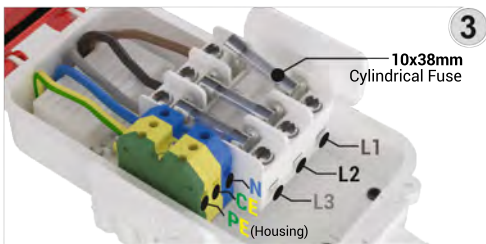
### Mounting Tap-off Box with Cylindrical Fuse



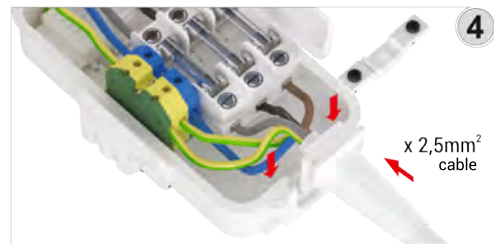
Use 052XZ1-F type cable, (3x2,5mm<sup>2</sup> for single phase, 5x2,5mm<sup>2</sup> for three phase) as required. Turn over the tap-off box and remove the two screws.



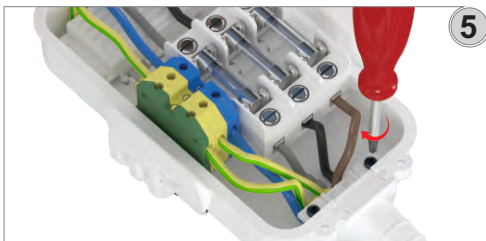
Open the cover of tap-off box.



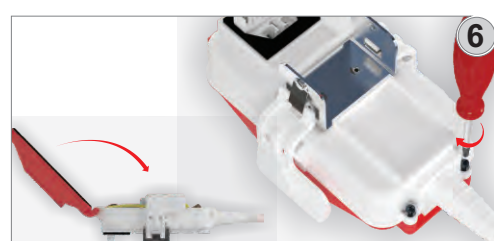
Install 10x38mm cylindrical fuse with maximum of 16A to fuse holder



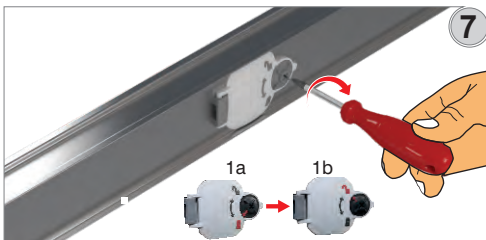
Connect feeder cables as shown above.



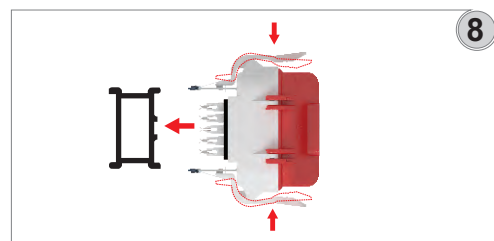
Fit the plastic component that organizes the cables and holds them together.



After closing the tap-off box cover, turn the tap-off box upside down and tighten the screws.



Put the plug-in cover to (1a) position



Align tap-off box with busbar plug-in while squeezing the ears on the sides of tap-off boxes



Direction at the tap-off box should be as shown in figure.



First, connect product earth terminal to busbar plug-in point. Then make sure that other terminals connect to busbar. Finally you should hear "CLICK" sound when you press tap-off box towards busbar.



Make sure that tap-off box is locked.

# E-LINE DL

## Technical Specifications

DL / DL-DALI / DL-DIM



Rated Current	In	A	25	32	40
Busbar Code			24	35	45
Main Standards	IEC 61439-1/6, TS EN 61439-1/6				
Rated Isolation Voltage	Ui	V	690	690	690
Rated Frequency	f	Hz	50	50	50
Protection Degree	IP55				
External Mechanical Impacts (IK Code)*	IK07				
Rated Short-time Withstand Current (0,1s)	I <sub>cw</sub>	kA <sub>(rms)</sub>	2,5	3	4
Rated Peak Withstand Current	I <sub>pk</sub>	kA	4	5	6,5
Mean Phase Conductor Characteristics At Rated Current					
Resistance at a conductor temperature of 20 °C	R <sub>20</sub>	mΩ/m	5,745	4,400	2,938
Resistance at an ambient air temperature of 35 °C	R	mΩ/m	7,174	5,566	3,751
Reactance (Independent from Temperature)	X	mΩ/m	1,338	0,327	0,486
Positive and negative sequence impedances at an ambient air temperature of 35 °C	Z	mΩ/m	7,298	5,575	3,783
Positive and negative sequence impedances at a conductor temperature of 20 °C	Z <sub>20</sub>	mΩ/m	5,898	4,412	2,978
Rated Power Loss at 35 °C		W/m	15,6	17,0	18,7
DC Resistance at a conductor temperature of 20 °C for Phases	R/ort <sub>ph</sub>	mΩ/m	5,581	4,320	3,035
DC Resistance at a conductor temperature of 20 °C for Neutral	R <sub>N</sub>	mΩ/m	5,603	4,296	2,985
DC Resistance at a conductor temperature of 20 °C for PE	R <sub>PE</sub>	mΩ/m	3,09	3,09	3,09
DC Resistance at a conductor temperature of 20 °C for CE	R <sub>CPE</sub>	mΩ/m	5,633	4,335	3,015
SECTIONS					
L1,L2,L3,N		mm <sup>2</sup>	2,54	3,98	6,16
CE (5 Conductors - Optional "PE" for DL-DALI)		mm <sup>2</sup>	2,54	3,98	6,16
PE (Sheet Steel)		mm <sup>2</sup>	105	105	105
PE (Cu Equivalent-Sheet Steel)		mm <sup>2</sup>	5,8	5,8	5,8
Busbar Weight (4 Conductors)		kg/m	1,400	1,430	1,600
Busbar Weight (5 Conductors)		kg/m	1,500	1,550	1,720

### 25-32-40a Plug-In Busbar Systems Product Specification (E-Line DL)

---

- 1- The busbar systems shall be type tested and certified according to IEC 61439-6 by international laboratories. They shall be manufactured in an ISO 9001 and ISO 14001 certified facility.
- 2- The rated insulation voltage of the system shall be 690V.
- 3- The busbar system shall have current ratings between 25A-32A-40A, Conductors shall be electrolytic copper and continuously tin plated along their entire length.
- 4- The conductors in the housing shall be insulated along their whole length and only stripped at the plug-in points to create the contact area.
- 5- The busbar shall have a total of 8 tap-off points (4 on each side) on a standard 3m length. The system should have the possibility to increase the number of tap-off points at the time of ordering. The tap-off points shall have protective covers to maintain the IP55 rating.
- 6- The DL Busbar System is double sided with a maximum of five independent conductors on each side. The number of conductors and the phase structure alternatives are as follows.
  - a) 2 Conductors; L1 / N / PE (Housing)
  - b) 3 Conductors; L1 / N / CE + PE (Housing)
  - c) 4 Conductors; L1 / L2 / L3 / N / PE (Housing)
  - d) 5 Conductors; L1 / L2 / L3 / N / CE + PE (Housing)
  - Phase and Neutral conductor sections ;
    - for 25A ; 2,54 mm<sup>2</sup>
    - for 32A ; 3,98 mm<sup>2</sup>
    - for 40A ; It is produced as 6,16 mm<sup>2</sup>.
  - PE (Housing); The body is used as an earth conductor and the equivalent copper cross-sectional area is 5,8 mm<sup>2</sup>.
  - CE (Clean Earth); Clean Earth is a separate and independent conductor, the cross-sectional area is equivalent to the phase conductors.

The conductors and numbers mentioned above are valid for each side, and the DL Busbar system can be produced in different structures for both sides, depending on demand and supply.
- 7- There shall be insulator supports at the plug-in points.
- 8- The joint of the busbar shall be a push-fit joint. Joint contacts shall be silver plated. To ensure a secure joint contact there shall be springs on both sides of the joint.
- 9- The IP rating of the busbar shall be IP55.
- 10- The housing of the busbar shall be manufactured from 0.50mm thick galvanised sheet steel with an option for a RAL 7038 electrostatic oven dried paint finish.
- 11- The contacts on the tap-off plugs shall be silver plated jawed construction which contact the conductors on both sides.
- 12- Standard brackets and fittings suitable for the housing of the busbar shall be those produced by the busbar manufacturer.

DALI applied lighting busbar system ;

- 1- The busbar systems shall be type tested and certified according to IEC 61439-6 by international laboratories. They shall be manufactured in an ISO 9001 and ISO 14001 certified facility.
- 2- Devices to be connected shall be manufactured as per IEC 62386.
- 3- Tap-off plugs shall have physical measures to prevent incorrect connection and shall be manufactured so that no voltage will be present on the 'DALI' line due to the conductor configuration even if connected incorrectly.
- 4- The rated insulation voltage of the system shall be 690V.
- 5- The conductors have a current carrying capacity of at least 25 A and are tin-plated copper.
- 6- The conductors in the housing shall be insulated along their whole length and only stripped at the plug-in points to create the contact area.
- 7- The busbar system shall offer the following phase configuration options:
  - a) 9 conductors : L1 / L2 / L3 / N / CE + PE (Housing) and D1 / L(emg.) / N(emg.) / D2 "Three Phase+ Clean Earth"
  - b) 8 conductors : L1 / L2 / L3 / N + PE (Housing) and D1 / L(emg.) / N(emg.) / D2 "Three Phase"
  - c) 7 conductors : L / N / CE + PE (Housing) and D1 / L(emg.) / N(emg.) / D2 "Single Phase + Clean Earth"
  - d) 6 conductors : L / N + PE (Housing) and D1 / L(emg.) / N(emg.) / D2 "Single Phase"
  - Phase and Neutral conductor sections ;
    - for 25A ; 2,54 mm<sup>2</sup>
    - for 32A ; 3,98 mm<sup>2</sup>
    - for 40A ; It is produced as 6,16 mm<sup>2</sup>.
  - PE (Housing); The body is used as an earth conductor and the equivalent copper cross-sectional area is 5,8 mm<sup>2</sup>.
- 8- On a standard 3m length the busbar shall have a total of 4 tap-off points on each side, one side for the luminaire power supply and the other side for the DALI ballast and emergency kit control. The system should have the possibility to increase the number of tap-off points at the time of ordering. The tap-off points shall have protective covers to maintain the IP55 rating.
- 9- There shall be insulator supports at the plug-in points.
- 10- The tap-off covers for the luminaire supplies and the Dim Control tap-offs shall be of different colours and labeled to indicate which phase each is supplied from.
- 11- Conductors shall be electrolytic copper and continuously tin plated along their entire length.
- 12- The joint points of the main body are manufactured with snap-on, screw-on and capped construction.
- 13- Joint contacts shall be silver plated. To ensure a secure joint contact there shall be springs on both sides of the joint.
- 14- The tap-off points shall have protective covers to maintain the IP55 rating.
- 15- The housing of the busbar shall be manufactured from 0.50mm thick galvanised sheet steel with an option for a RAL 7038 electrostatic oven dried paint finish.
- 16- The contacts on the tap-off plugs shall be silver plated jawed construction which contact the conductors on both sides.
- 17- Standard brackets and fittings suitable for the housing of the busbar shall be those produced by the busbar manufacturer.

DIM applied lighting busbar system ;

- 1- The busbar systems shall be type tested and certified according to IEC 61439-6 by international laboratories. They shall be manufactured in an ISO 9001 and ISO 14001 certified facility.
- 2- Tap-off plugs shall have physical measures to prevent incorrect connection and shall be manufactured so that no voltage will be present on the 'Dim Control' line due to the conductor configuration even if connected incorrectly.
- 3- The rated insulation voltage of the system shall be 690V.
- 4- The conductors have a current carrying capacity of at least 25 A and are tin-plated copper.
- 5- The conductors in the housing shall be insulated along their whole length and only stripped at the plug-in points to create the contact area.
- 6- The nine conductors shall be manufactured as one side L1/L2/L3/N+PE (Housing) and the other side as K1/P/K2/N/K3 " Three Phase".
  - Phase and Neutral conductor sections ;
    - for 25A ; 2,54 mm<sup>2</sup>
    - for 32A ; 3,98 mm<sup>2</sup>
    - for 40A ; It is produced as 6,16 mm<sup>2</sup>.
  - PE (Housing); The body is used as an earth conductor and the equivalent copper cross-sectional area is 5,8 mm<sup>2</sup>.
- 7- On a standard 3m length the busbar shall have a total of 4 tap-off points on each side, one side for the luminaire supply and the other side for the Dim and emergency kit.
- 8- The system should have the possibility to increase the number of tap-off points at the time of ordering. The tap-off points shall have protective covers to maintain the IP55 rating.
- 9- There shall be insulator supports at the plug-in points.
- 10- The tap-off covers for the luminaire supplies and the Dim Control shall be of different colours and labelled to indicate which phase each is supplied from.
- 11- Conductors shall be electrolytic copper and continuously tin plated along their entire length. The joint of the busbar shall be a push-fit joint.
- 12- Joint contacts shall be silver plated. To ensure a secure joint contact there shall be springs on both sides of the joint.
- 13- The tap-off points shall have protective covers to maintain the IP55 rating.
- 14- The housing of the busbar shall be manufactured from 0.50mm thick galvanised sheet steel with an option for a RAL 7038 electrostatic oven dried paint finish.
- 15- The contacts on the tap-off plugs shall be silver plated jawed construction which contact the conductors on both sides.
- 16- Standard brackets and fittings suitable for the housing of the busbar shall be those produced by the busbar manufacturer.

# CE DECLARATION OF CONFORMITY

**Product Group** E-Line DL Busbar Systems  
E-Line DL - DALI Busbar Systems  
E-Line DL - DIM Busbar Systems

**Manufacturer** EAE Elektrik Asansor End. Insaat San. ve Tic. A.S.  
Akcaburgaz Mahallesi, 3114. Sokak,  
No:10 34522 Esenyurt-Istanbul

The objects of the declaration described below is in conformity with the relevant Union harmonisation legislation. This declaration of conformity is issued under the sole responsibility of the manufacturer.

**Standard :**

**TS EN 61439-6**

Low-voltage switchgear and controlgear assemblies - Part 6: Busbar trunking systems

**CE - Directive**

2014/35/EU "The Low Voltage Directive"

2014/30/EU "Electromagnetic Compatibility (EMC) Directive"

2011/65/EU "Restriction of the use of certain hazardous substances (RoHS)"

**Technical Document Preparation Official:**

EAE Elektrik Asansor End. İnşaat San. ve Tic. A.S.  
Akcaburgaz Mahallesi, 3114. Sokak, No:10 34522 Esenyurt-Istanbul

Mustafa AKÇELİK

**Date**

08.03.2025

**Document Authorized Signatory**

Elif Gamze KAYA OK  
Deputy General Manager



# TEST CERTIFICATE

Issued to:	EAE Elektrik Asansör Endustrisi Insaat San. ve Tic. A.S. Organize Sanayi Bölgesi Mahallesi 6.Cadde Fabrika Binası-A Blok Apt. No:6 A Dilovası / Kocaeli Türkiye
For the product:	Low-voltage busbar trunking system
Trade name:	EAE
Type/Model:	DL 02
Ratings:	$I_{nc}$ 25 A at 50 Hz, $U_i$ 690 V, $U_{imp}$ 6 kV, $I_{ow}$ 2,5 kA - 0,1 s For more details see annex
Manufactured by/ Production site	EAE Elektrik Asansör Endustrisi Insaat San. ve Tic. A.S. Organize Sanayi Bölgesi Mahallesi 6.Cadde Fabrika Binası-A Blok Apt. No:6 A Dilovası / Kocaeli, Türkiye
Production site	EAE Gulf Power Distribution Equipment Manufacturing LLC PO Box: 34239, Plot No: 532-199, Saih Shuaib 3, Dubai Industrial City Dubai, United Arab Emirates
Subject:	Design verification
Requirements:	IEC 61439-6: 2012 Clauses: 10.2, 10.3, 10.4, 10.5, 10.9, 10.10, 10.11, 10.101 and Annex BB, CC, and DD
Remarks:	Busbar trunking system consists of feeder box, joint and straight lengths Date of performance of tests: 2014 and 2023

This Test Certificate is granted on account of an examination by DEKRA, the results of which are laid down in report no. 2281260.01-INC, dated 25 January 2024.

The examination has been carried out on one single specimen of the product, submitted by the manufacturer. The Attestation does not include an assessment of the manufacturer's production. Conformity of his production with the specimen tested by DEKRA is not the responsibility of DEKRA.

Arnhem, 25 January 2024

Number: 2281260.100

DEKRA Certification B.V.



F.S. Strikwerda  
Certification Manager

© Integral publication of this certificate and adjoining reports is allowed

DEKRA Certification B.V. Meander 1051, 6825 MJ Arnhem P.O. Box 5185, 6802 ED Arnhem, The Netherlands  
T +31 88 96 83000 F +31 88 96 83100 www.dekra-certification.com Company registration 09085396

# TEST CERTIFICATE

Issued to:	EAE Elektrik Asansör Endustrisi Insaat San. ve Tic. A.S. Organize Sanayi Bölgesi Mahallesi 6.Cadde Fabrika Binası-A Blok Apt. No:6 A Dilovası / Kocaeli Türkiye
For the product:	Low-voltage busbar trunking system
Trade name:	EAE
Type/Model:	DL 03
Ratings:	$I_{nc}$ 32 A at 50 Hz, $U_i$ 690 V, $U_{imp}$ 6 kV, $I_{ow}$ 3 kA - 0,1 s For more details see annex
Manufactured by/ Production site	EAE Elektrik Asansör Endustrisi Insaat San. ve Tic. A.S. Organize Sanayi Bölgesi Mahallesi 6.Cadde Fabrika Binası-A Blok Apt. No:6 A Dilovası / Kocaeli, Türkiye
Production site	EAE Gulf Power Distribution Equipment Manufacturing LLC PO Box: 34239, Plot No: 532-199, Saih Shuaib 3, Dubai Industrial City Dubai, United Arab Emirates
Subject:	Design verification
Requirements:	IEC 61439-6: 2012 Clauses: 10.2, 10.3, 10.4, 10.5, 10.9, 10.10, 10.11, 10.101 and Annex BB, CC, and DD
Remarks:	Busbar trunking system consists of feeder box, joint and straight lengths Date of performance of tests: 2014 and 2023

This Test Certificate is granted on account of an examination by DEKRA, the results of which are laid down in report no. 2281260.02-INC, dated 25 January 2024.

The examination has been carried out on one single specimen of the product, submitted by the manufacturer. The Attestation does not include an assessment of the manufacturer's production. Conformity of his production with the specimen tested by DEKRA is not the responsibility of DEKRA.

Arnhem, 25 January 2024

Number: 2281260.101

DEKRA Certification B.V.



F.S. Strikwerda  
Certification Manager

© Integral publication of this certificate and adjoining reports is allowed

DEKRA Certification B.V. Meander 1051, 6825 MJ Arnhem P.O. Box 5185, 6802 ED Arnhem, The Netherlands  
T +31 88 96 83000 F +31 88 96 83100 www.dekra-certification.com Company registration 09085396

# TEST CERTIFICATE

Issued to: EAE Elektrik Asansör Endustrisi  
Insaat San. ve Tic. A.S.  
Organize Sanayi Bölgesi Mahallesi 6.Cadde  
Fabrika Binası-A Blok Apt. No:6 A Dilovası / Kocaeli  
Türkiye

For the product: Low-voltage busbar trunking system

Trade name: EAE

Type/Model: DL 04

Ratings:  $I_{nc}$  40 A at 50 Hz,  $U_i$  690 V,  $U_{imp}$  6 kV,  $I_{ow}$  4 kA - 0,1 s  
For more details see annex

Manufactured by/  
Production site EAE Elektrik Asansör Endustrisi  
Insaat San. ve Tic. A.S.  
Organize Sanayi Bölgesi Mahallesi 6.Cadde  
Fabrika Binası-A Blok Apt. No:6 A Dilovası / Kocaeli, Türkiye

Production site EAE Gulf Power Distribution Equipment Manufacturing LLC  
PO Box: 34239, Plot No: 532-199, Saih Shuaib 3, Dubai Industrial City  
Dubai, United Arab Emirates

Subject: Design verification

Requirements: IEC 61439-6: 2012  
Clauses: 10.2, 10.3, 10.4, 10.5, 10.9, 10.10, 10.11, 10.101 and  
Annex BB, CC, and DD

Remarks: Busbar trunking system consists of feeder box, joint and straight lengths  
Date of performance of tests: 2014 and 2023

This Test Certificate is granted on account of an examination by DEKRA, the results of which are laid down in report no. 2281260.03-INC, dated 25 January 2024.

The examination has been carried out on one single specimen of the product, submitted by the manufacturer. The Attestation does not include an assessment of the manufacturer's production. Conformity of his production with the specimen tested by DEKRA is not the responsibility of DEKRA.

Arnhem, 25 January 2024

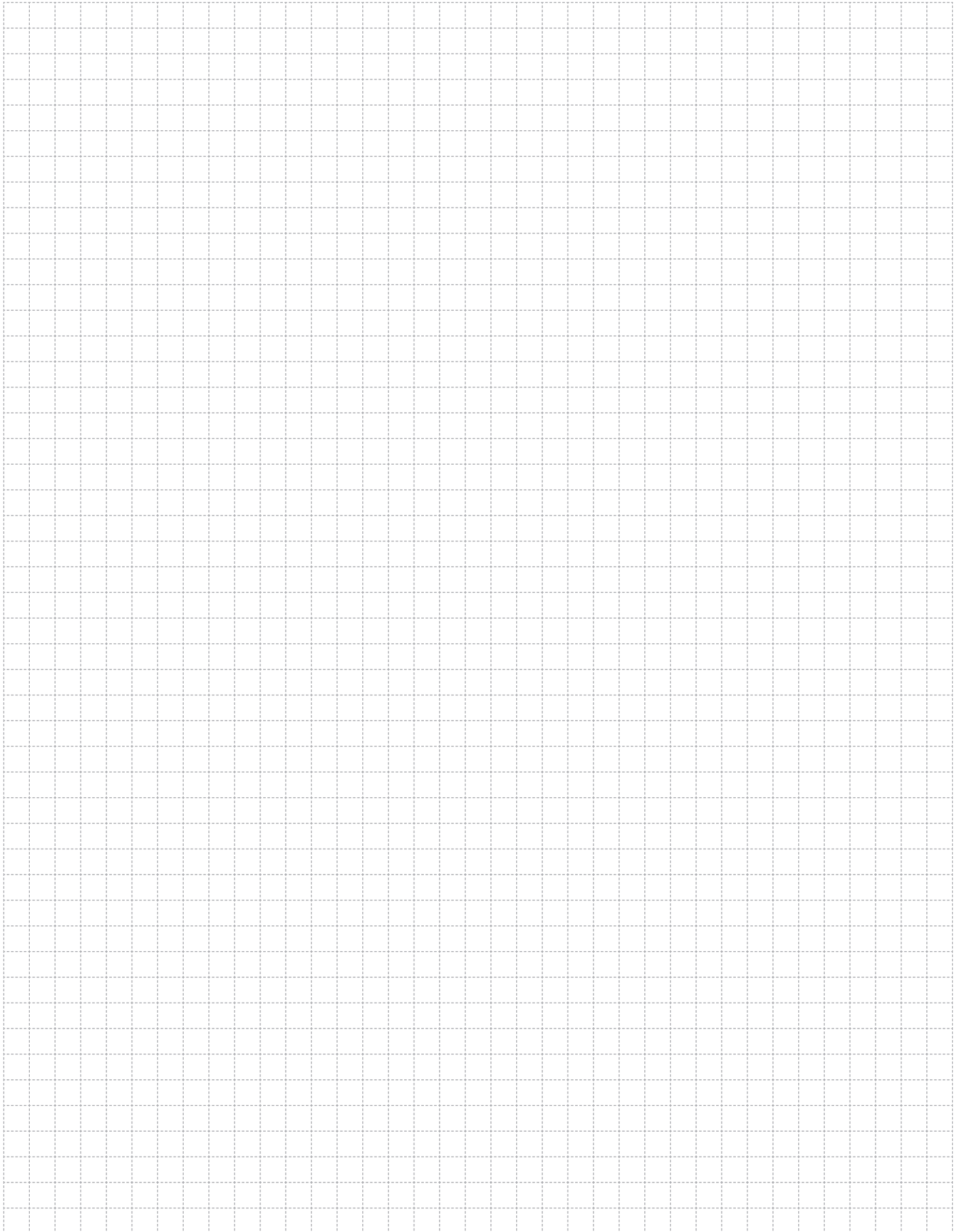
Number: 2281260.102

DEKRA Certification B.V.

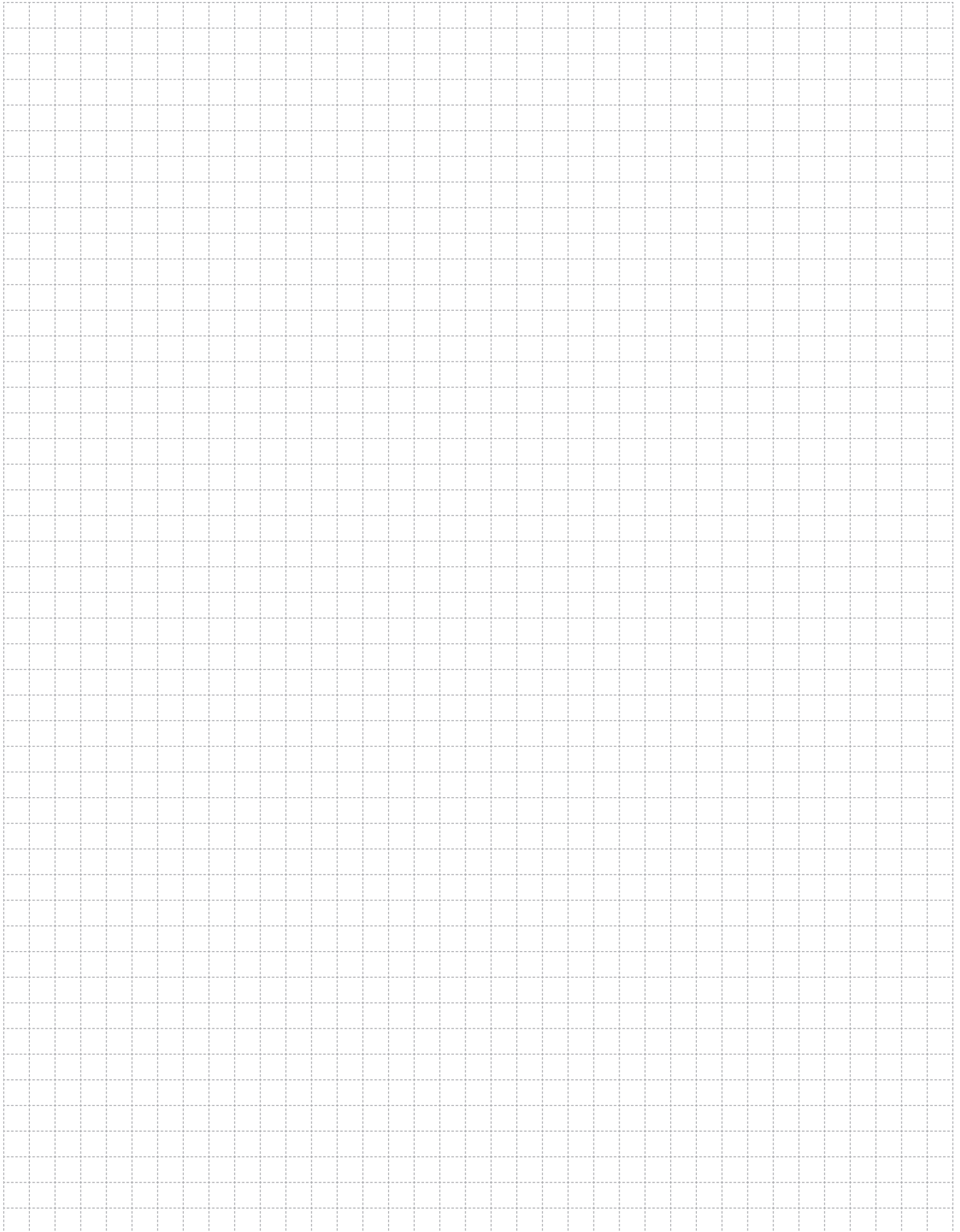
F.S. Strikwerda  
Certification Manager

© Integral publication of this certificate and adjoining reports is allowed

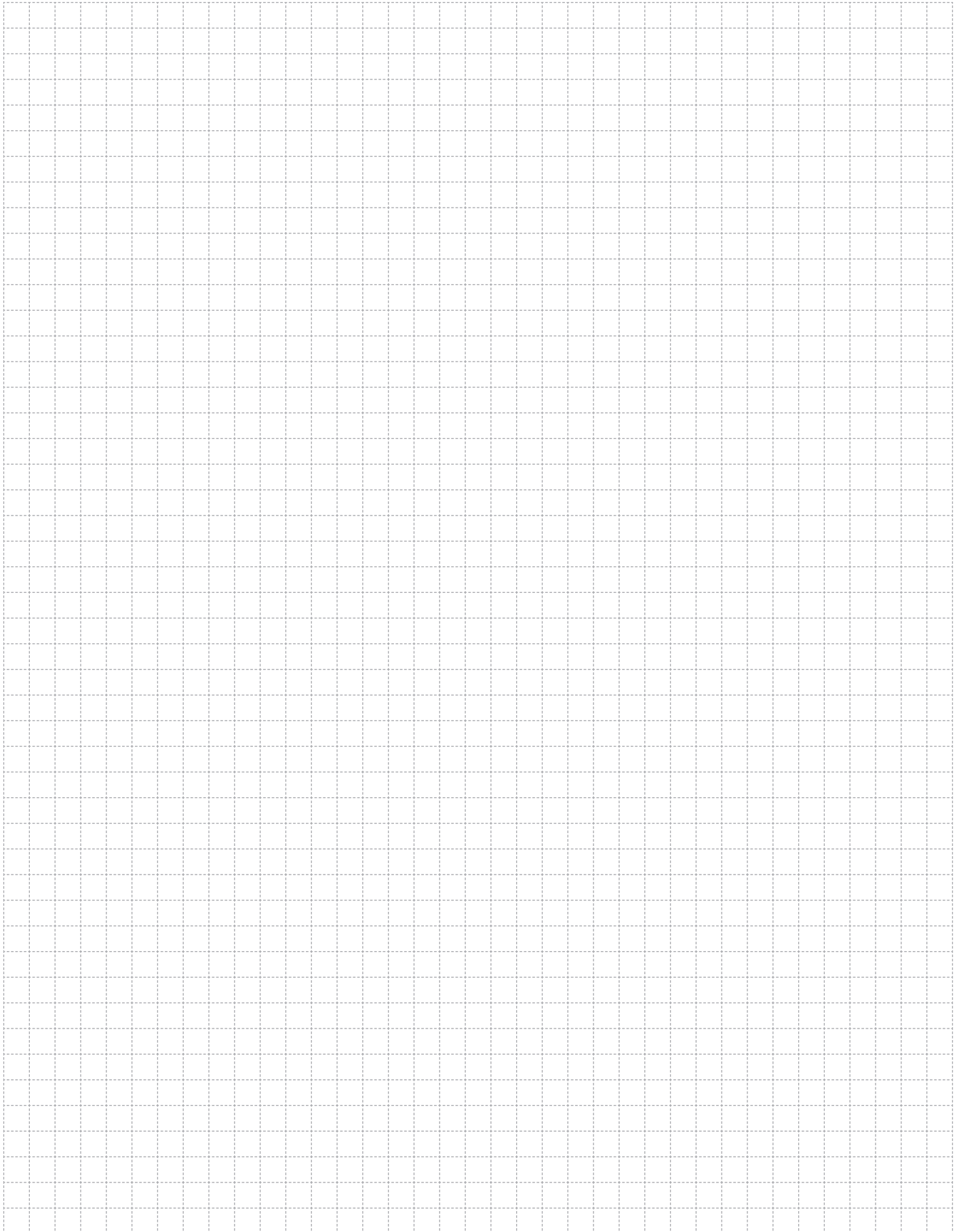
DEKRA Certification B.V. Meander 1051, 6825 MJ Arnhem P.O. Box 5185, 6802 ED Arnhem, The Netherlands  
T +31 88 96 83000 F +31 88 96 83100 www.dekra-certification.com Company registration 09085396



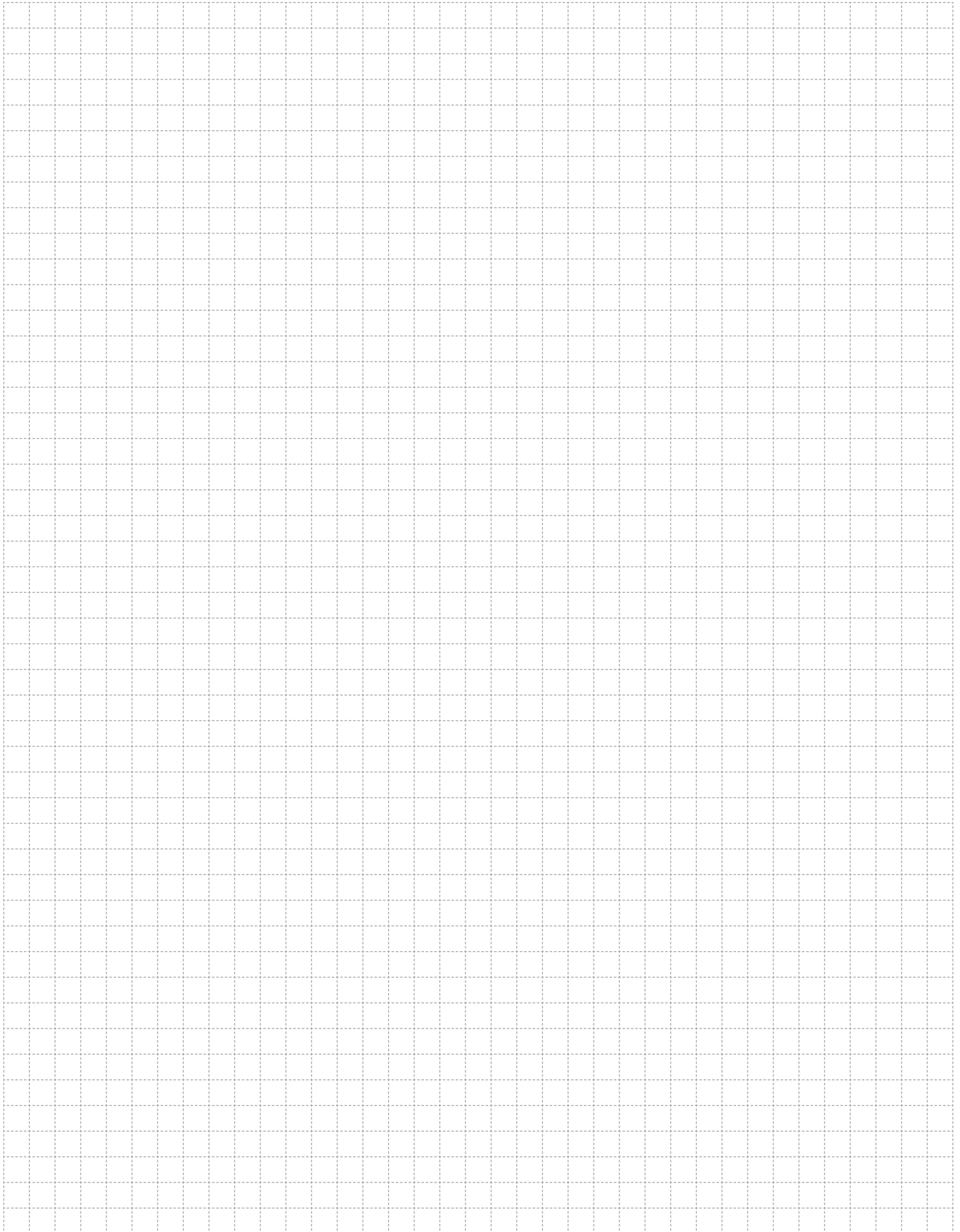
A large grid area for taking notes, consisting of a 20x30 grid of small squares. The grid is formed by dashed lines and occupies the majority of the page.



A large grid area for taking notes, consisting of a 20x30 grid of small squares. The grid is formed by dashed lines and occupies the majority of the page.



A large grid area for taking notes, consisting of a 20x30 grid of small squares. The grid is formed by dashed lines and occupies the majority of the page.



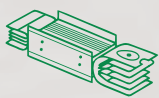
A large grid area for taking notes, consisting of a 20x30 grid of small squares.

# SUSTAINABLE FUTURE

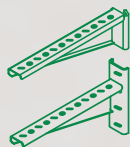
## Sustainability Management at EAE Elektrik



As part of our goal to support sustainable development and green transformation, measuring, evaluating, and managing all economic, environmental, and social impacts resulting from our sustainability practices is a key governance priority for EAE Elektrik. We act with great care in analyzing, monitoring, and managing the economic, environmental, and social impacts and risks that arise throughout our value chain in both our national and global operations.



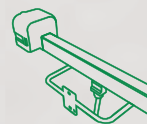
Busbar Systems



Support Systems



Cable Tray Systems



Trolley Busbar Systems



Fit-Out Solutions

*"We are working together with all our stakeholders to develop the electrical technologies that will build the future."*

You can visit our sustainability website at [sustainability.eaeelectric.com](https://sustainability.eaeelectric.com)



#FutureTogether

**EAE Elektrik**  
**Head Office**

Akcaburgaz Mahallesi,  
3114. Sokak, No: 10 34522  
Esenyurt - Istanbul - Turkiye  
Tel: +90 (212) 866 20 00  
Fax: +90 (212) 886 24 20

**EAE DL 3 Factory**  
**Busbar**

Organize Sanayi Bolgesi Mahallesi,  
6. Cadde, No: 6A, 41455  
Dilovasi - Kocaeli- Turkiye  
Tel: +90 (262) 999 05 55  
Fax: +90 (262) 502 05 69



Please visit our website for the updated  
version of our catalogues.  
[www.eaelectric.com](http://www.eaelectric.com)



Catalogue 07 - En. / Rev. 11 1000 Pcs. 02/02/2026  
E.U.

EAE has full right to make any revisions or changes on this catalogue without any prior notice.