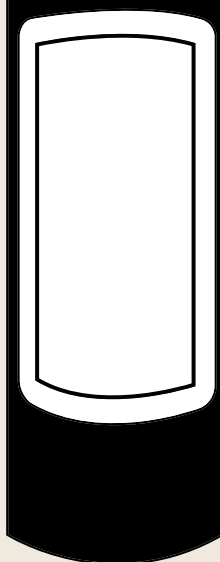


Slimfocus

2015

DESIGN: DOMINIQUE IMBERT

Minimalist in design, the Slimfocus represents the purest expression of fire. This model stands out for its streamlined style and remarkably compact form. It is available as a wood-burning or gas version, with either a conventional flue or balanced flue, and is designed for low-energy homes.



focus[®]

CREATE BEYOND CONVENTION

Slimfocus

suspended

wood-burning (Ecodesign)



CONVENTIONAL OR BALANCED FLUE

In both its conventional flue and balanced flue versions, the wood-burning Slimfocus is designed to deliver outstanding energy and environmental performance in full compliance with EU Ecodesign regulations.

The balanced-flue Slimfocus is compatible with low-energy buildings. Its firebox is airtight, drawing its combustion air directly from outside through the flue, ensuring optimal combustion without disrupting the home's ventilation system. No floor or wall air inlet is required.



Slimfocus

suspended

wood-burning (Ecodesign)



AVAILABLE VERSIONS

Conventional flue		Balanced flue	
Fixed	Pivoting	Fixed	Pivoting

DIMENSIONS / WEIGHT

HEIGHT (mm)	WIDTH (mm)	DEPTH (mm)	FIREPLACE WEIGHT (kg)	FLUE WEIGHT (kg/linear metre)
2070	324	324	96	32

SAFETY DISTANCE FROM COMBUSTIBLE MATERIALS

FRONT (mm)	BACK (mm)	SIDE (mm)	FLOOR (mm)
900	250	500	300

SAFETY DISTANCE FROM GLASS SURFACES (mm)

1000

TECHNICAL SPECIFICATIONS

HEAT OUTPUT (kW)	EFFICIENCY (%)	MINIMUM ROOM VOLUME (m ³)
4.5	82	80

FINISH

Black

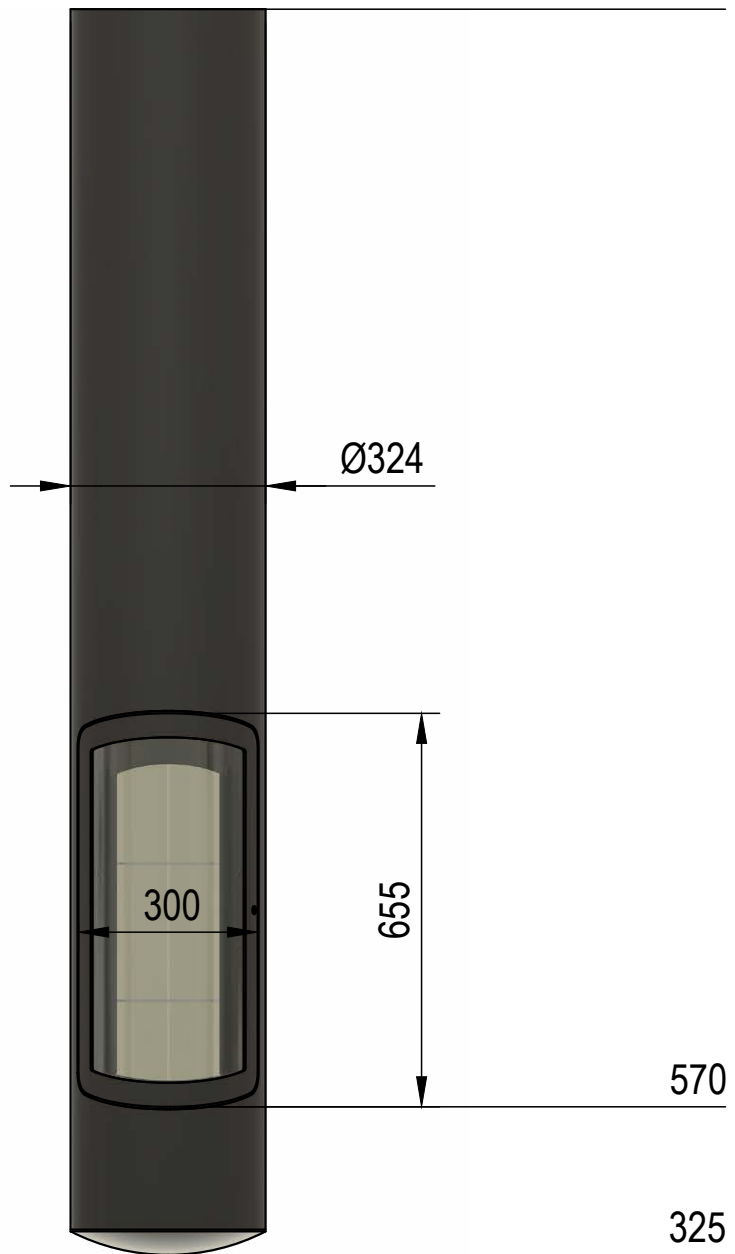
Slimfocus

suspended

wood-burning (Ecodesign)



2395



0

Slimfocus

fixed with base

wood-burning (Ecodesign)



CONVENTIONAL OR BALANCED FLUE

In both its conventional flue and balanced flue versions, the wood-burning Slimfocus is designed to deliver outstanding energy and environmental performance in full compliance with EU Ecodesign regulations.

The balanced-flue Slimfocus is compatible with low-energy buildings. Its firebox is airtight, drawing its combustion air directly from outside through the flue, ensuring optimal combustion without disrupting the home's ventilation system. No floor or wall air inlet is required.



Slimfocus

fixed with base

wood-burning (Ecodesign)



AVAILABLE VERSIONS

Conventional flue	Balanced flue
-------------------	---------------

DIMENSIONS / WEIGHT

HEIGHT (mm)	WIDTH (mm)	DEPTH (mm)	FIREPLACE WEIGHT (kg)	FLUE WEIGHT (kg/linear metre)
2180	324	324	96	32

SAFETY DISTANCE FROM COMBUSTIBLE MATERIALS

FRONT (mm)	BACK (mm)	SIDE (mm)	FLOOR (mm)
900	250	500	300

SAFETY DISTANCE FROM GLASS SURFACES (mm)

1000

TECHNICAL SPECIFICATIONS

HEAT OUTPUT (kW)	EFFICIENCY (%)	MINIMUM ROOM VOLUME (m ³)
4.5	82	80

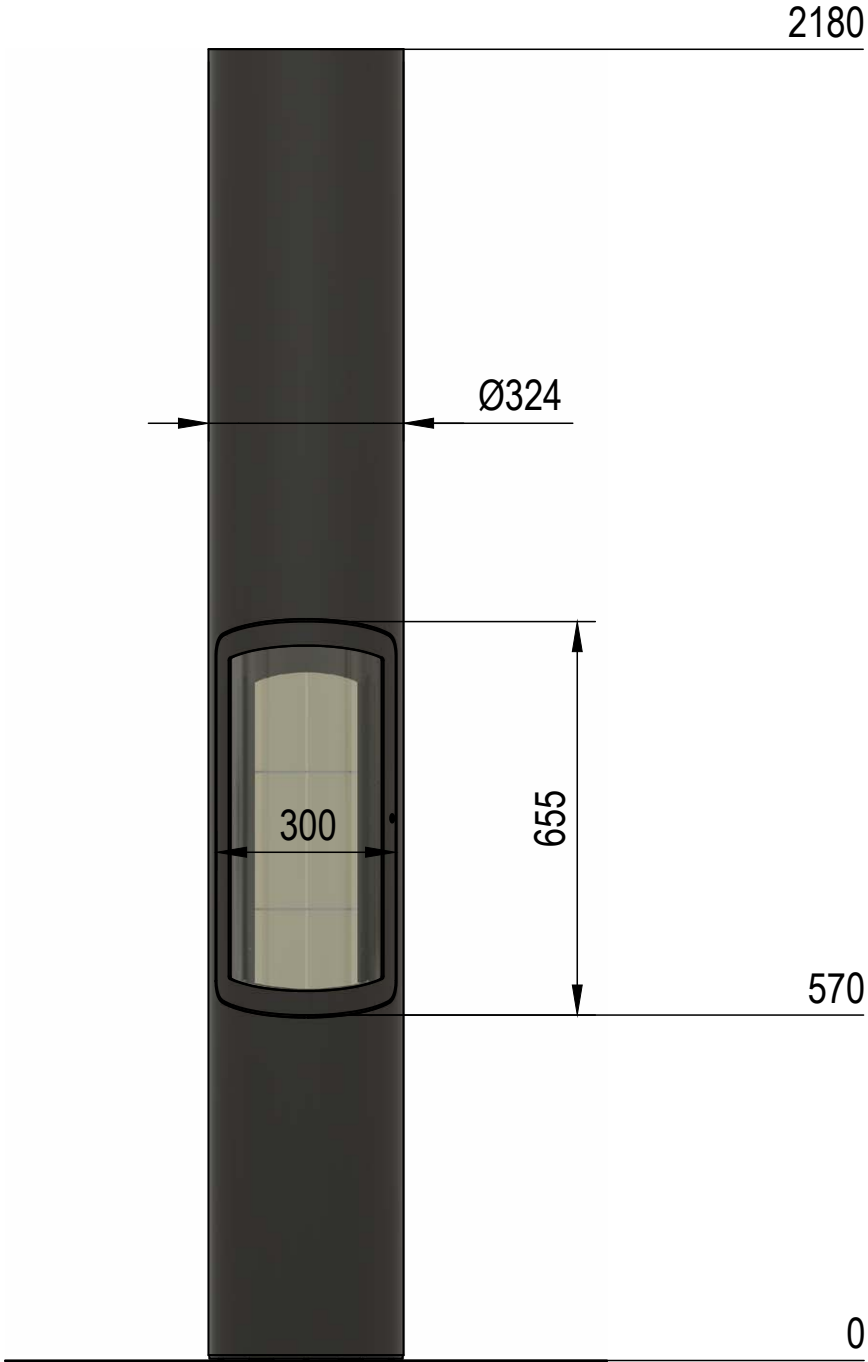
FINISH

Black

Slimfocus

fixed with base

wood-burning (Ecodesign)



Slimfocus

fixed with base

gas



The Slimfocus gas fire fuses elegant contemporary design with effortless simplicity and ease of use. The gas is supplied through the base without compromising its streamlined design, while offering all the advantages of a gas fire. Flame intensity and heat are controlled at the touch of a button via remote control.

Fully compatible with natural gas, propane or biogas from energy providers, the gas Slimfocus is stylish, convenient and eco-friendly.



Slimfocus

fixed with base

gas



DIMENSIONS / WEIGHT

HEIGHT (mm)	WIDTH (mm)	DEPTH (mm)	FIREPLACE WEIGHT (kg)	FLUE WEIGHT (kg/linear metre)
2180	324	324	107	32

SAFETY DISTANCE FROM COMBUSTIBLE MATERIALS

FRONT (mm)	BACK (mm)	SIDE (mm)	FLOOR (mm)
500	500	500	0

SAFETY DISTANCE FROM GLASS SURFACES (mm)

500

TECHNICAL SPECIFICATIONS

NATURAL GAS HEAT OUTPUT (kW)	PROPANE HEAT OUTPUT (kW)	NATURAL GAS CONSUMPTION (m ³ /h)	PROPANE CONSUMPTION (m ³ /h)
7	4.1	0.673	0.116

ELECTRICAL POWER SUPPLY

Batteries

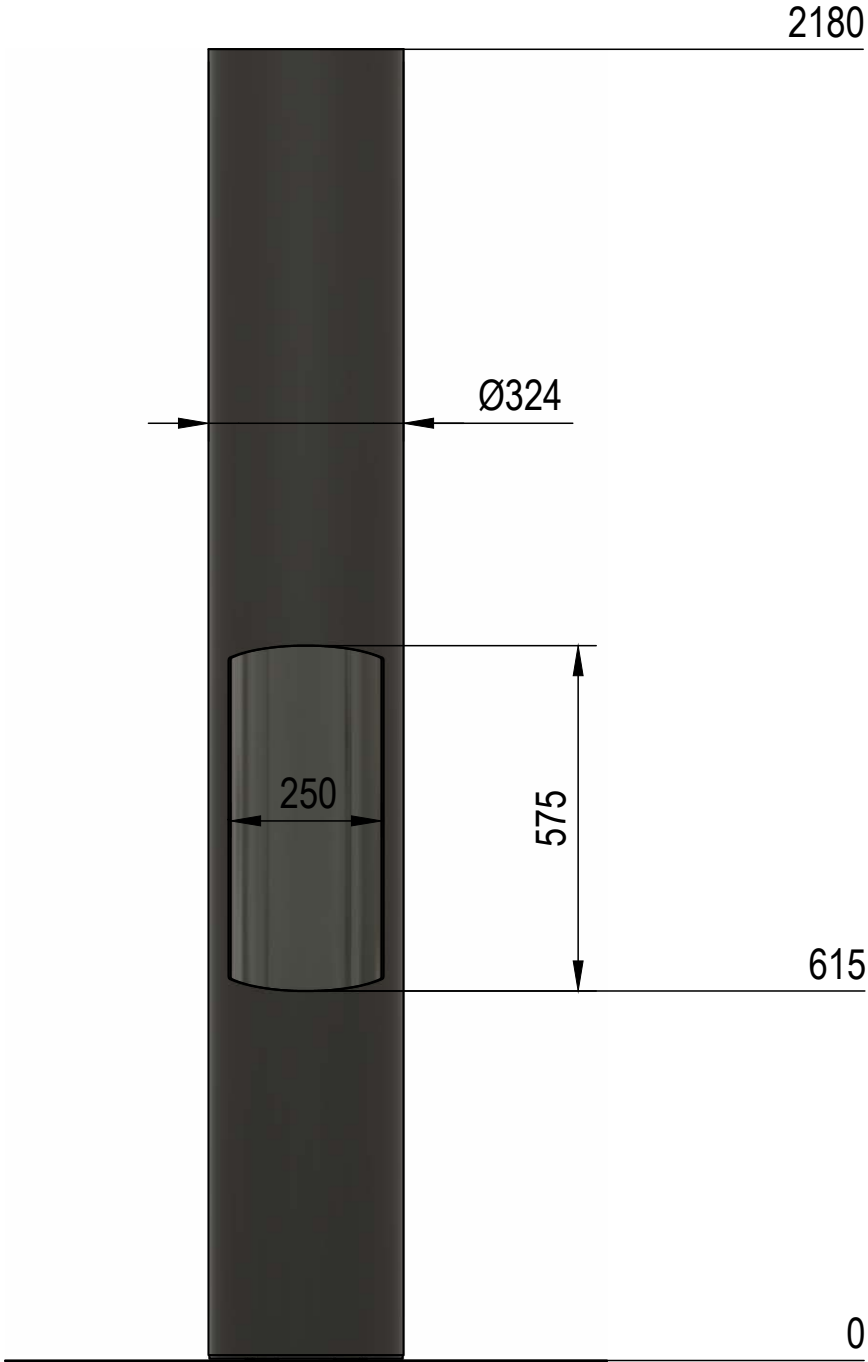
FINISH

Black

Slimfocus

fixed with base

gas



Slimfocus

wall-mounted

wood-burning (Ecodesign)



The wall-mounted Slimfocus is designed with a rear flue outlet.



Slimfocus

wall-mounted

wood-burning (Ecodesign)



DIMENSIONS / WEIGHT

HEIGHT (mm)	WIDTH (mm)	DEPTH (mm)	FIREPLACE WEIGHT (kg)	FLUE WEIGHT (kg/linear metre)
1750	324	400	106	32

SAFETY DISTANCE FROM COMBUSTIBLE MATERIALS

FRONT (mm)	BACK (mm)	SIDE (mm)	FLOOR (mm)
900	0	500	300

SAFETY DISTANCE FROM GLASS SURFACES (mm)

1000

TECHNICAL SPECIFICATIONS

HEAT OUTPUT (kW)	EFFICIENCY (%)	MINIMUM ROOM VOLUME (m ³)
4.5	82	80

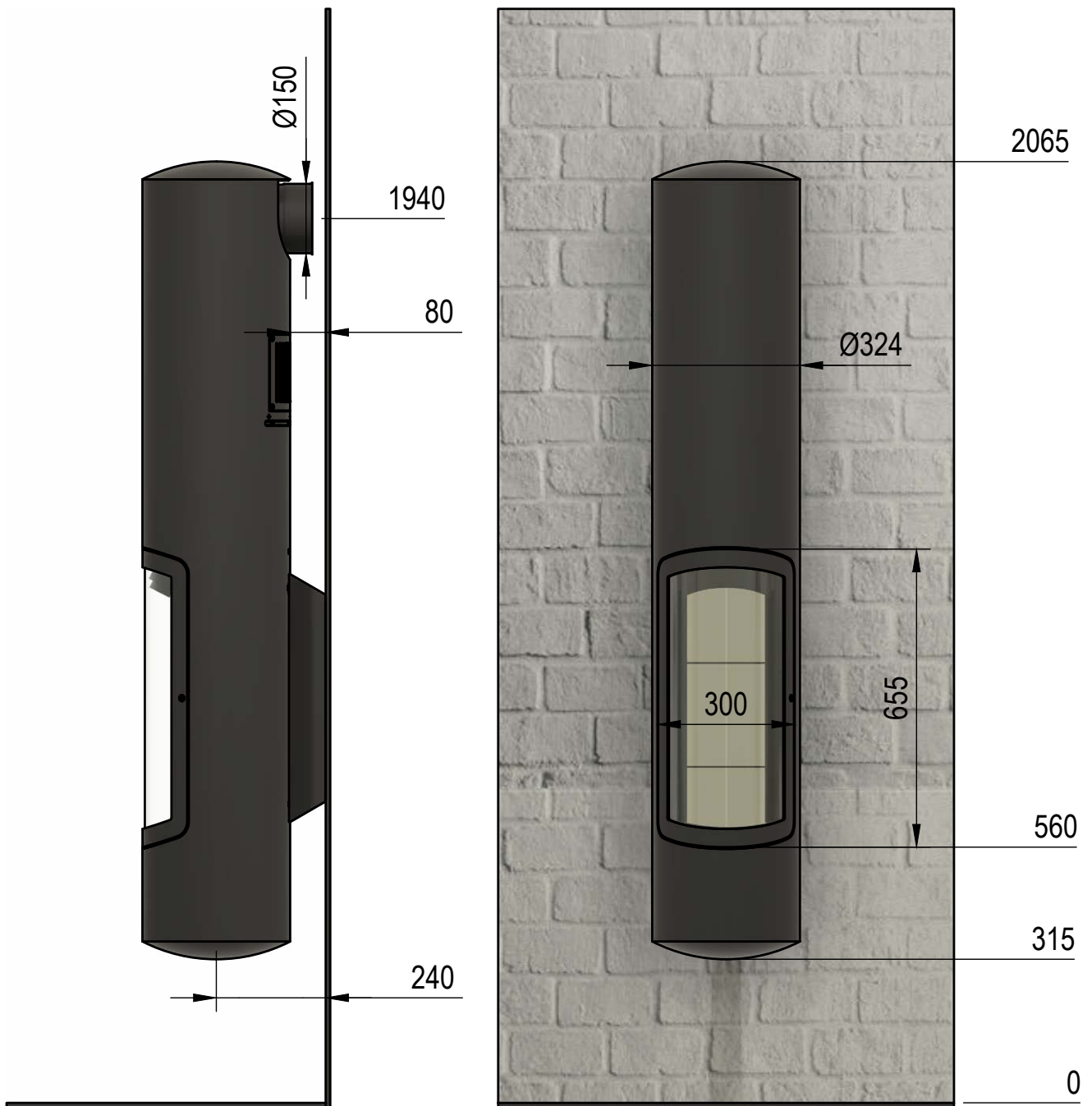
FINISH

Black

Slimfocus

wall-mounted

wood-burning (Ecodesign)



focus[®]

CREATE BEYOND CONVENTION

