

TRACKTRIM®

SOLUTIONS TO RECESS ERFAL DRAPERY TRACKS



DESIGNED TO DISAPPEAR

Tracktrim® by Blindspace is a perfect fit solution to recess manual and electric curtain tracks. The track and end set are installed flush with the ceiling during construction to form a cavity matching the drapery system and can be painted to match the ceiling. Standard curved sections are available to fit corners, curved walls, bay windows and other applications. When curtain tracks are installed, the result is a minimalist design where curtain tracks fully blend in, flush with the ceiling.

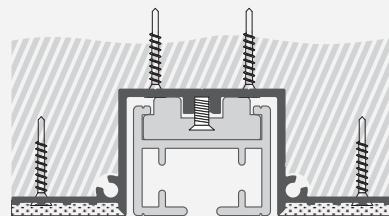


BL'NDSPACE®

Track with Screw Channel (TT1F)

Track for Screw-Through Fixing (TT2F)

Fixing of Tracktrim (TT1F) & Curtain Track



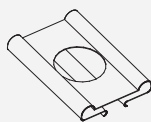
Curve Section

Accessories

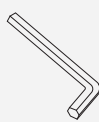


More radius options:

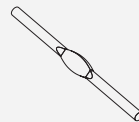
- R250 R365
- R290 R440
- R300 R480
- R330 R508



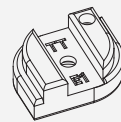
Track Protector



Allen Key



Splice Pin

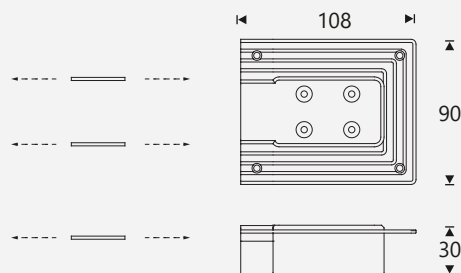
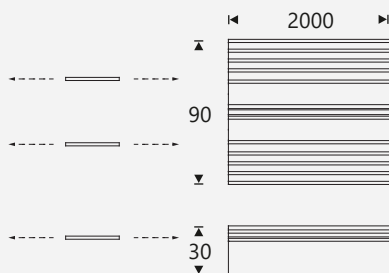
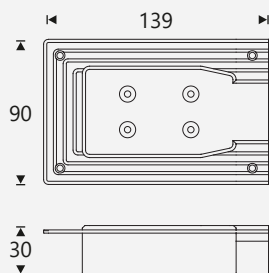


Fixing Bracket

Motor End (TTEMB1F)

Track with Flanges (TT1F)

Return End (TTERB1F)



Manufacturer

Blindspace AB
Web: www.blindspace.com
Email: sales@blindspace.com
Tel: +44 20 8798 3945

Description

Solutions to recess manual and electric curtain tracks and end sets, with no visible bracketry.

Product Reference

Tracks: TT1F
End-sets: TTEMB1F/TTERB1F
Fixing Bracket: TTE1
Curve sections: TTCR508
Example: TT1F with TTEMB1F & TTERB1F

Fixing

Anchoring with countersink screws through profile and flanges every 200mm. Finished plaster level flush with chamfered edge and ceiling.

Material

Tracks in Aluminium, EN 6060 T66
End-sets & curves in Plastic POM Polymer

Finish

White to be plastered in and decorated at site to match ceiling.

FEATURES

Centered curtain tracks with no visible fixing brackets

In contrast to solutions using a wedge along the side of the curtain track, Tracktrim® are fixed through the curtain track for minimum visual impact.

Perfect-fit end-set to match motor and return ends

End sets are designed and manufactured to perfectly fit with motor and belt return ends.

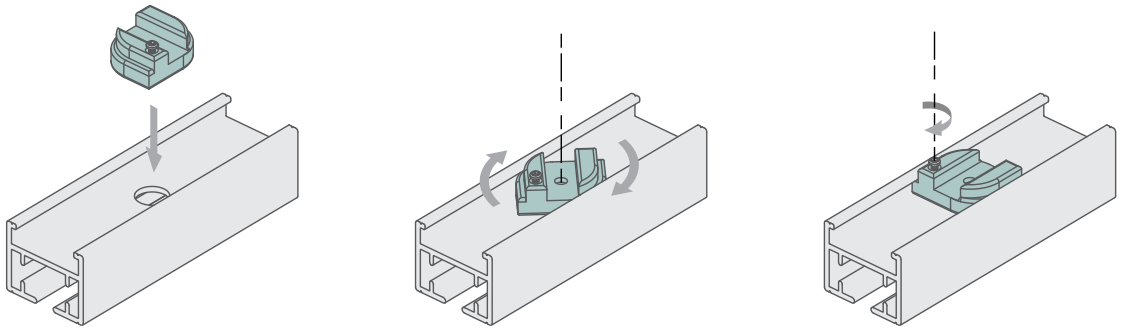
Seamless appearance after painting

Plaster is feathered over skim coat flanges to hide the track and end-set, leaving only an open cavity for installation of curtain system.

Splice Pins to connect different profiles

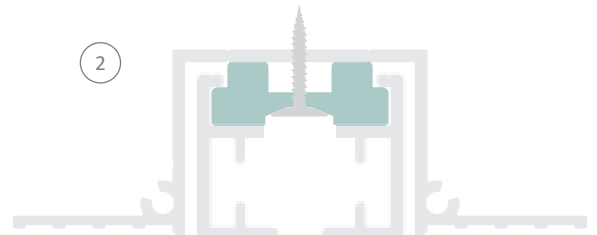
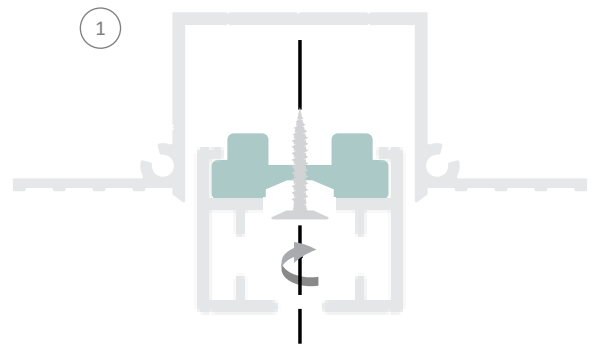
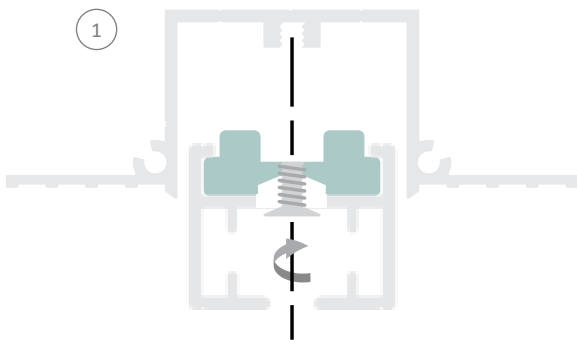
Splice Pins are used to connect the endsets to the main Tracktrim profile and also to the different curved sections.



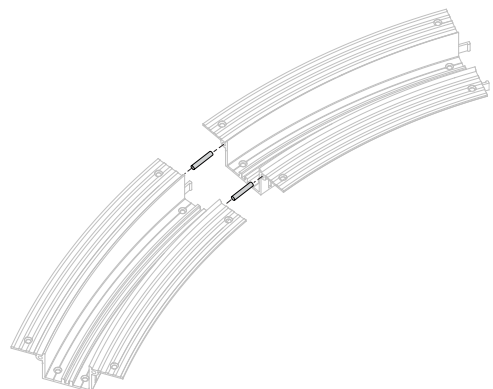
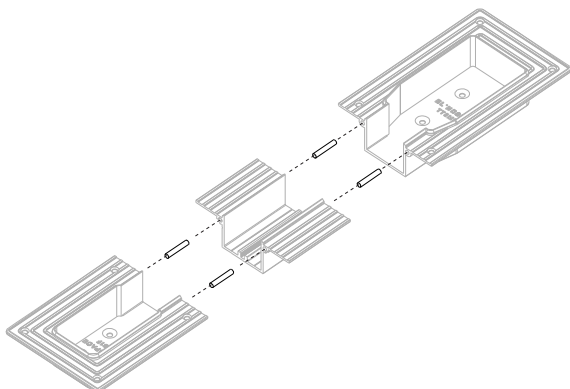


Fixing to TT1F

Fixing to TT2F, Optional Fixing to TT1F



Connecting Sections using Splice Pins





Dual TT1F with TTEMB1F and TTERB1F, tracks with 180mm spacing.



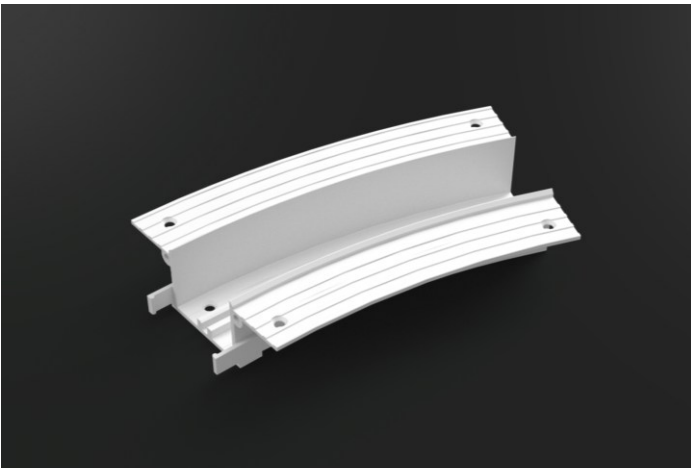
TT1F with TTEMB1F and TTERB1F



Trackrim® Curved Section finished installation.



Trackrim® Curved Section finished installation.



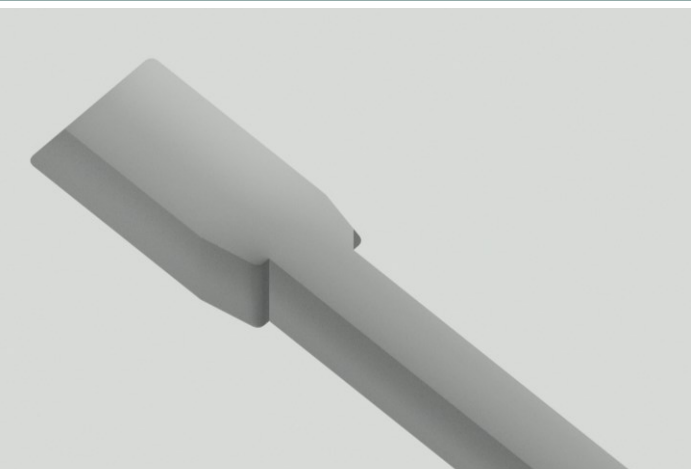
TTCR440 Curved Section 440mm radius



TTEMB1F and TTERB1F Sample.



TT1F with TTEMB1F and TTERB1F.



TT1F with TTEMB1F finished installation.