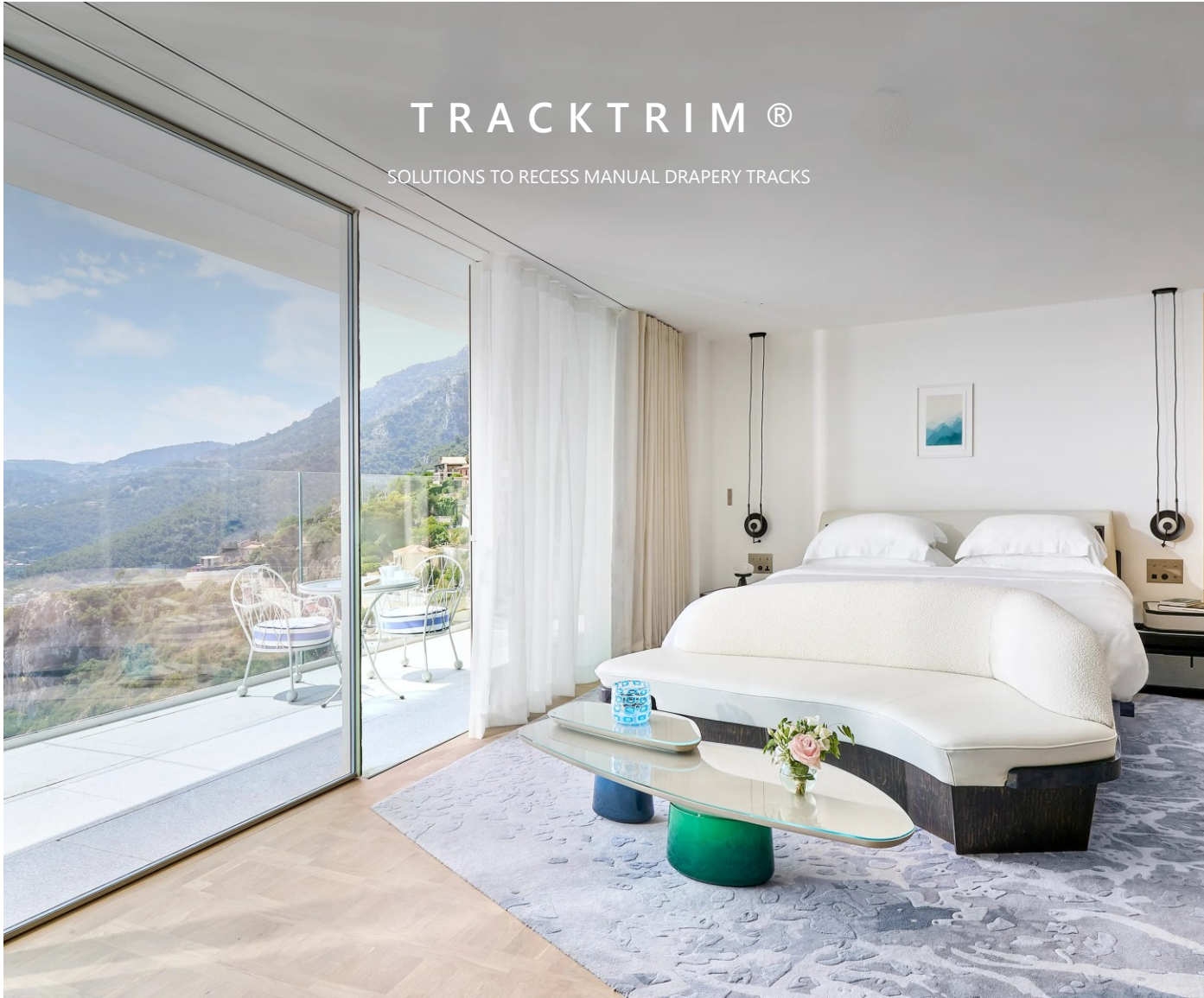


# TRACKTRIM®

SOLUTIONS TO RECESS MANUAL DRAPERY TRACKS



## DESIGNED TO DISAPPEAR

Tracktrim® by Blindspace is a perfect fit solution to recess manual and electric curtain tracks. The track and end set are installed flush with the ceiling during construction to form a cavity matching the drapery system and can be painted to match the ceiling. Standard curved sections are available to fit corners, curved walls, bay windows and other applications. When curtain tracks are installed, the result is a minimalist design where curtain tracks fully blend in, flush with the ceiling.

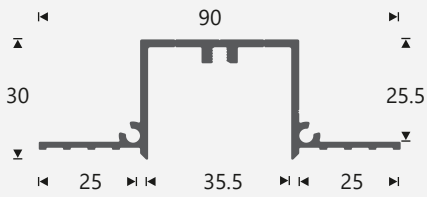


**BL'NDSPACE®**

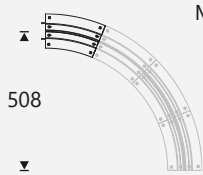
## MEASUREMENTS

in mm

### Track with Screw Channel (TT1F)



### Curve Section



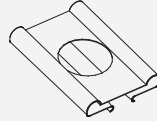
More radius options:

R250	R365
R290	R440
R300	R480
R330	R508

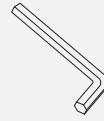
### Track for Screw-Through Fixing (TT2F)



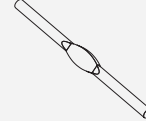
### Accessories



Track Protector



Allen Key

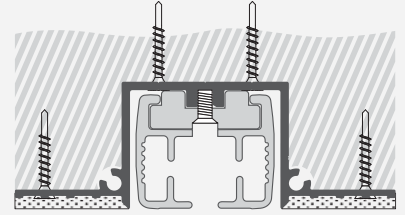


Splice Pin

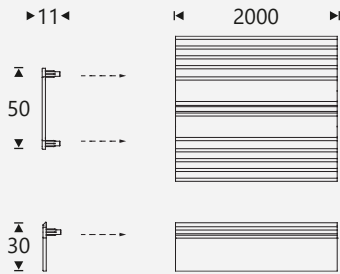


Fixing Bracket

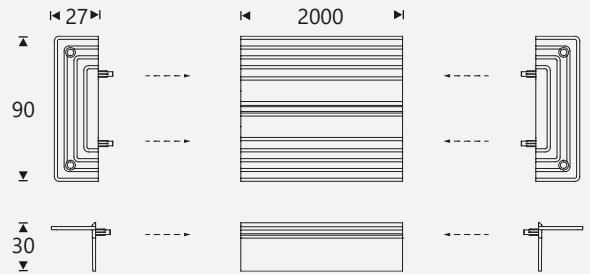
### Fixing of Tracktrim (TT1F) & Curtain Track



### Flat End – No Flange (TTFE1N)



### Flat End with Flanges (TTFE1S)



### Manufacturer

Blindspace AB  
 Web: [www.blindspace.com](http://www.blindspace.com)  
 Email: [sales@blindspace.com](mailto:sales@blindspace.com)  
 Tel: +44 20 8798 3945

### Description

Solutions to recess manual curtain tracks and end sets, with no visible bracketry.

### Product Reference

Tracks: TT1F  
 End-sets: TTFE1S/TTFE1N  
 Fixing Bracket: TTS1  
 Curve sections: TTCR508  
 Example: TT1F with TTFE1S & TTFE1N

### Fixing

Anchoring with countersink screws through profile and flanges every 200mm. Finished plaster level flush with chamfered edge and ceiling.

### Material

Tracks in Aluminium, EN 6060 T66  
 End-sets & curves in Plastic POM Polymer

### Finish

White to be plastered in and decorated at site to match ceiling.

## FEATURES

### Centered curtain tracks with no visible fixing brackets

In contrast to solutions using a wedge along the side of the curtain track, TrackTrim® are fixed through the curtain track for minimum visual impact.

### Perfect-fit

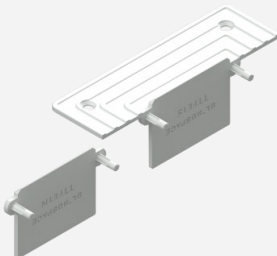
Fits perfectly to all manual track brands.

### Seamless appearance after painting

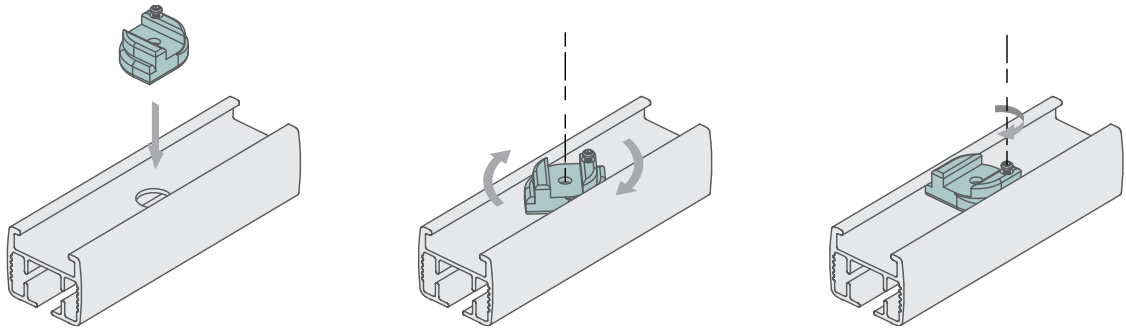
Plaster is feathered over skim coat flanges to hide the track and end-set, leaving only an open cavity for installation of curtain system.

### Splice Pins to connect different profiles

Splice Pins are used to connect the endsets to the main Tracktrim profile and also to the different curved sections.

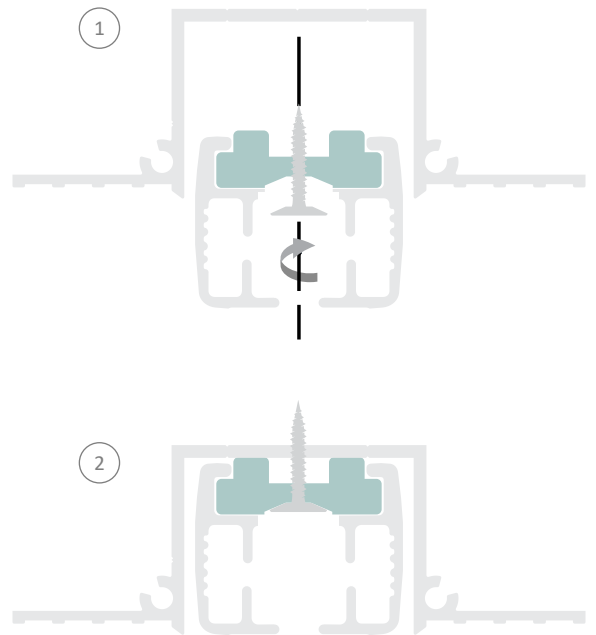
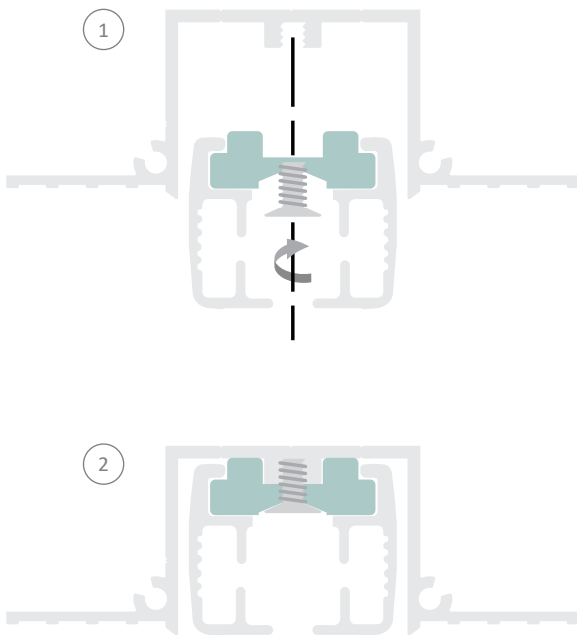


## Attaching Fixing Bracket

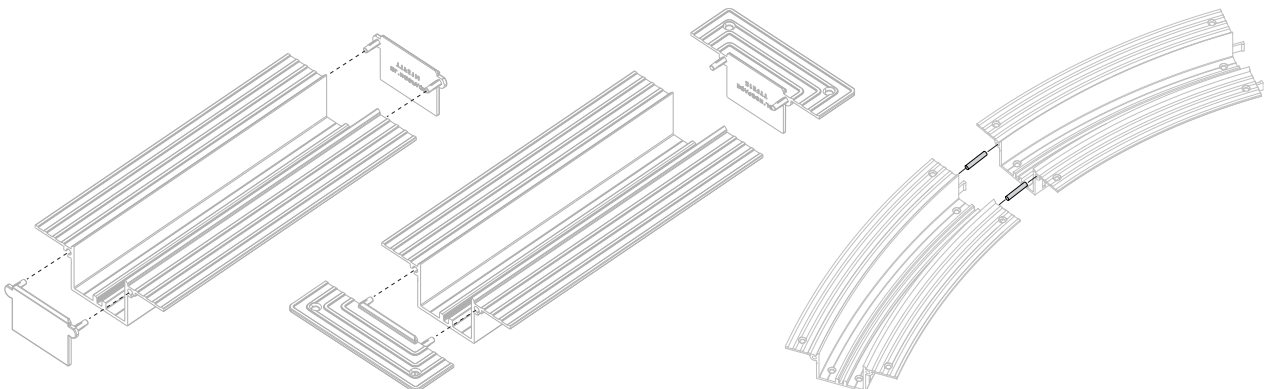


## Fixing to TT1F

## Fixing to TT2F, Optional Fixing to TT1F



## Connecting Sections using Splice Pins





TT1F with TTFE1S & TTFE1S



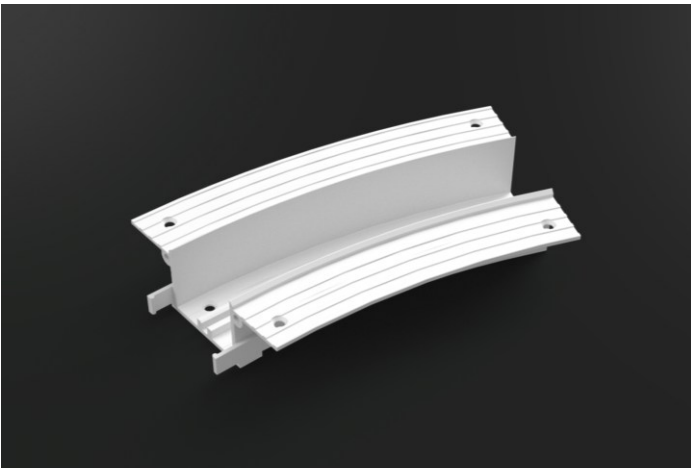
TT1F with TTFE1S & TTFE1S



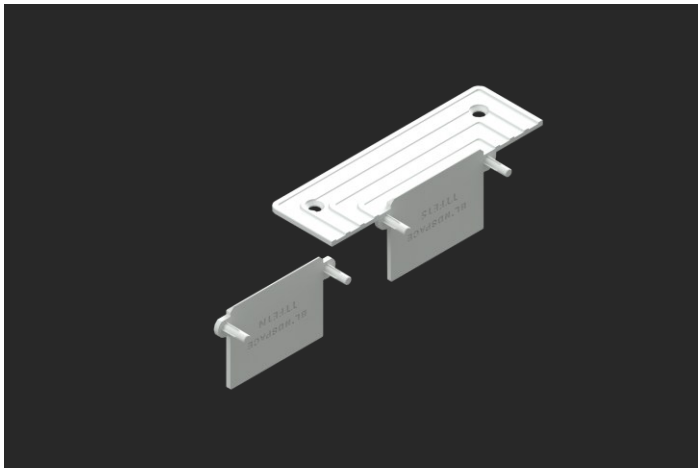
Tracktrim® Curved Section finished installation.



Tracktrim® Curved Section finished installation.



TTCR300 Curved Section 300mm radius



TTFE1N & TTFE1S



TT1F with TTFE1N & TTFE1N



TT1F with TTFE1S & TTFE1S