

TRACKTRIM CLICK

SOLUTIONS TO RECESS LUTRON DRAPERY TRACKS



DESIGNED TO DISAPPEAR

TrackTrim® Click by Blindspace is a perfect-fit solution to recess manual and electric drapery tracks. The track and end set are installed flush with the ceiling during construction to form a cavity matching the drapery system and can be painted to match the ceiling. With the new TrackTrim® Click feature, no drilling is required—drapery tracks can be installed effortlessly using special fixing clips that click securely into place, reducing installation time while ensuring a seamless, refined appearance. Standard curved sections are available to fit corners, curved walls, bay windows, and other applications. When drapery tracks are installed, the result is a minimalist design where the drapery system fully blends in, flush with the ceiling.

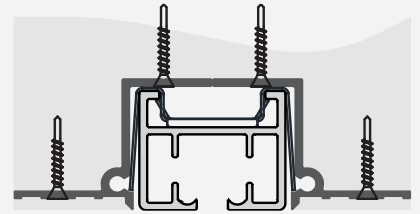
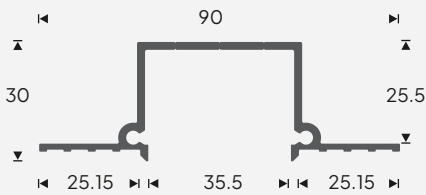


BL'NDSPACE®

TrackTrim Click (TTC1F)

Fixing Clip (TTCL1)

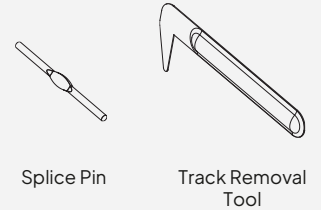
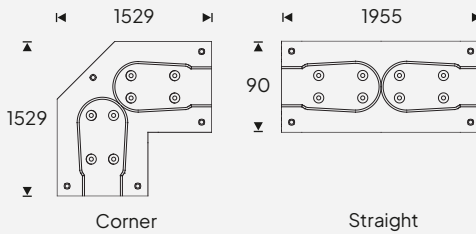
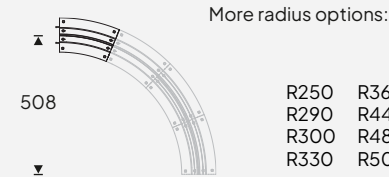
Fixing of TrackTrim Click (TTC1F) & drapery Track



Curve Section

1-Piece Return Ends

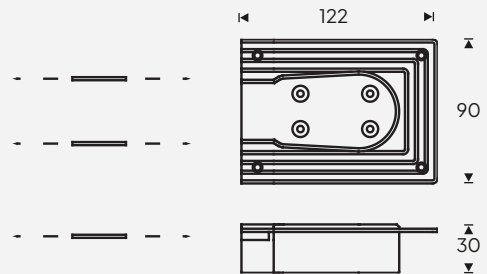
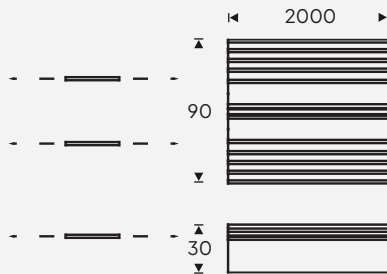
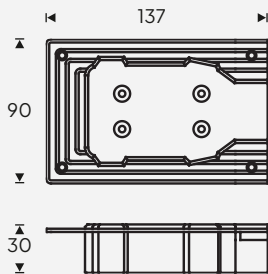
Accessories



Motor End (TTLMB1F)

Track with Flanges (TTC1F)

Return End (TTLRB1F)



Manufacturer

Blindspace AB
 Web: www.blindspace.com
 Email: sales@blindspace.com
 Tel: +44 20 8798 3945

Description

Solutions to recess manual and electric drapery tracks and end sets, with no visible bracketry.

Product Reference

Tracks: TTC1F
 End-sets: TTLMB1F/TTLRB1F
 Curve sections: TTCR508
 1-Piece Return Ends: TTLCRB1F & TTLSRB1F
 Example: TTC1F with TTLMB1F & TTLRB1F

Fixing

Anchoring with countersink screws through profile and flanges every 200mm. Finished plaster level flush with chamfered edge and ceiling.

Material

Tracks in Aluminium, EN 6060 T66
 End-sets & curves in Plastic POM Polymer

Finish

White to be plastered in and decorated at site to match ceiling.

FEATURES



The new TrackTrim offers a fast, clean installation with no drilling required—just a simple click. It ensures a seamless finish with no visible clips.

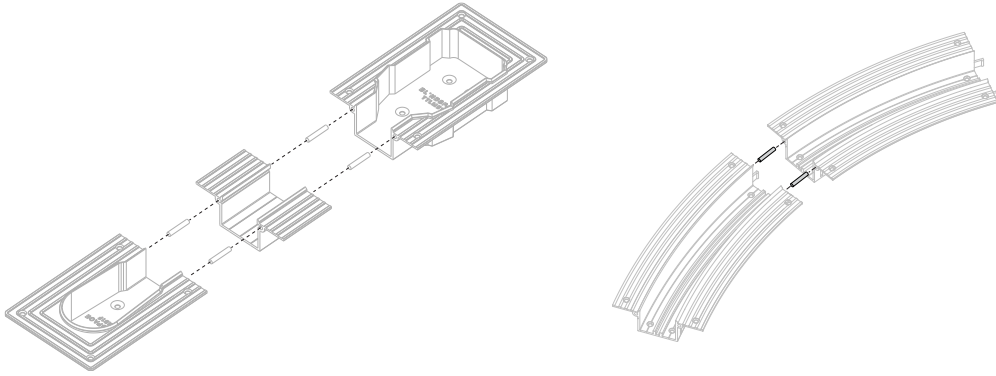
Its perfect-fit end sets are precisely designed to align with motor and belt return ends, creating a consistent, professional look.

After painting, the system achieves a flawless appearance, with plaster feathered over skim coat flanges to conceal the track, leaving only an open cavity for drapery installation.

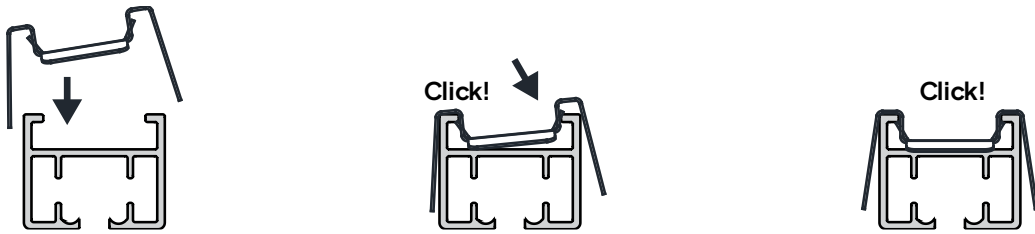
Splice Pins securely connect end sets, main profiles, and curved sections for perfect alignment and stability.

Overall, TrackTrim combines speed, precision, and elegance, delivering a premium concealed track solution for modern interiors.

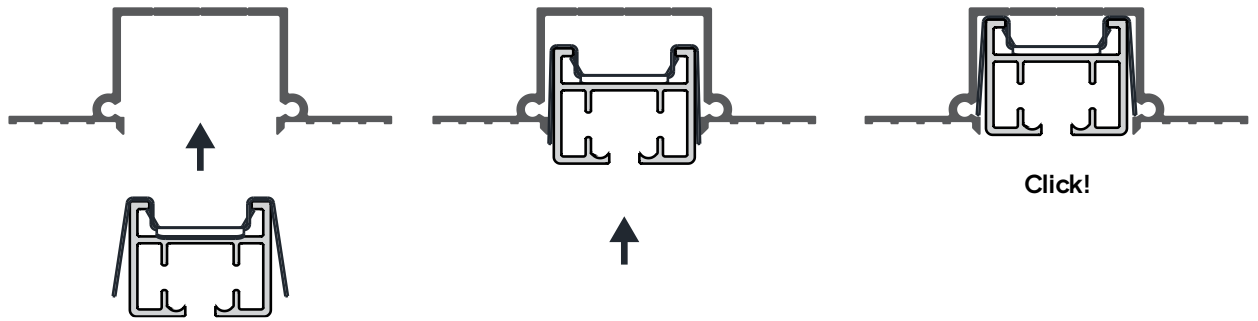
Connecting Sections using Splice Pins



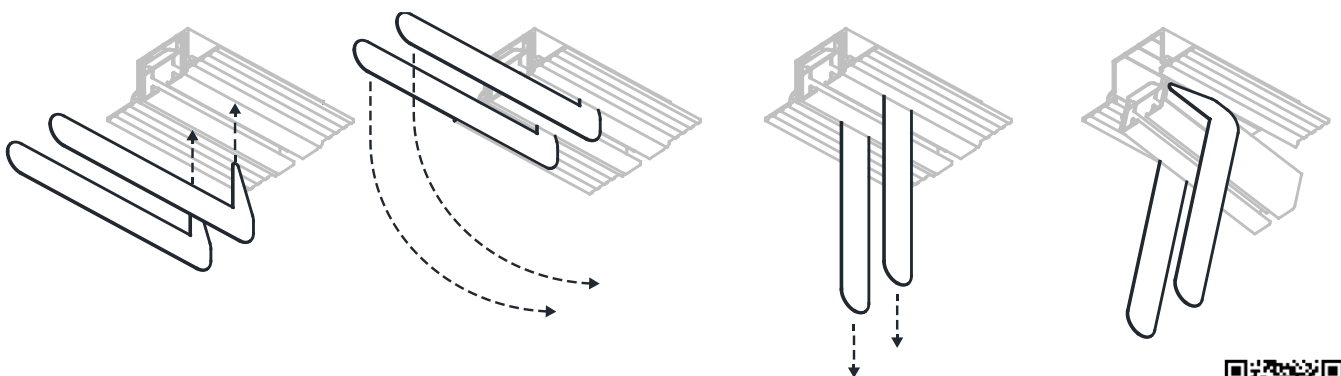
Attaching the Clips (every 500mm and 100mm within the drapery stack area)



Attaching the drapery Track to Tracktrim Click



Removing the drapery Track using the Removal Tool





TTC1F with TTCL1



TTC1F with TTLMB1F and TTLRB1F



Trackrim Click Curved Section finished installation.



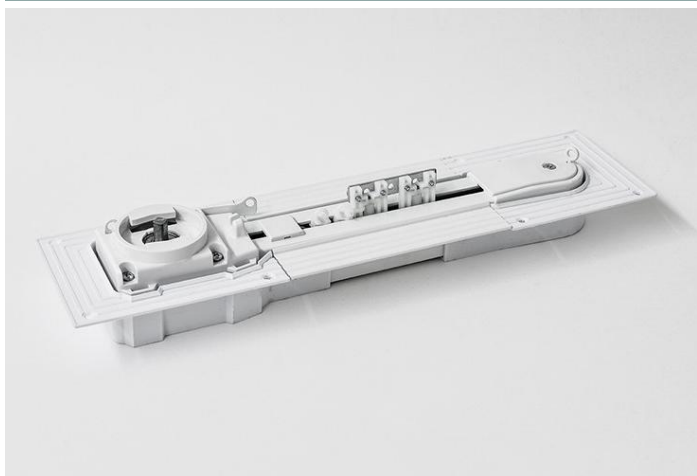
Dual Trackrim Click Curved Section finished installation.



TTC1F with Track Removal Tools (TTCRT)



TTLMB1F and TTLRB1F Sample.



TTC1F with TTLMB1F and TTLRB1F.



TTC1F with TTLMB1F finished installation.