

**hansgrohe**



**Sales manual**

# Everything you need to provide competent advice for planning sinks and kitchen mixers

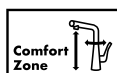
---

hansgrohe kitchen range

## Technologies



Simply regulates the water flow at the touch of a button: a playful way to stop and restart the water.



Defines the height and width of the space between the sink and tap, which the user can use however they see fit.



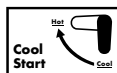
Wipe limescale deposits away easily by rubbing your finger over the flexible silicone nubs.



Reduces the flow rate to save water and energy for long-lasting pleasure.

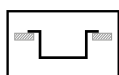


Combines water with a generous amount of air. For a soft, splash-free water jet and rich, full shower drops.



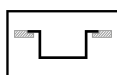
Cold water starts to flow when it is opened in the basic setting. You consume hot water only when you need it.

## Sink installation options



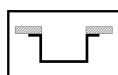
### Surface-mounted:

The sink is inserted from above into a hole cut in the worktop.



### Flush-fit:

The sink is installed flush with the worktop to create a smooth transition.



### Undermounted:

The sink is lowered into the worktop, making the kitchen appear more spacious.

## Surfaces Sinks

Order numbers specifying a surface finish are (#) eight digits long for example 28500, -290 = Stone grey



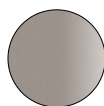
-170

Graphite Black



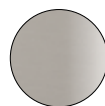
-290

Stone Grey



-380

Concrete Grey

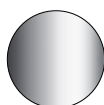


-800

Stainless Steel

## Surfaces Kitchen mixers

Order numbers specifying a surface finish are (#) eight digits long for example 28500, -000 = Chrome



-000

Chrome



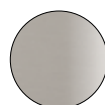
-340

Brushed Black  
Chrome



-670

Matte Black



-800

Stainless Steel  
Finish

# Contents

---

## Advantages, features, and technologies

- 19 Range
- 20 New products **NEW**
- 22 Sinks**
- 23 Installation types
- 24 Materials and sizes
- 28 Kitchen taps**
- 29 Operation
- 32 Technologies – Select, ComfortZone, sBox, pull-out function, jet types, QuickClean, AirPower, CoolStart, installation in front of a window
- 42 Sink combi units**
- 44 Accessories and cleaning products**

---

## Sinks

- 48 Overview
- 53 Stainless steel S71  
Surface-mounted, flush-mounted and undermounted installation
- 63 Stainless steel S41 **NEW**  
Surface-mounted and flush-mounted installation
- 70 SilicaTec S51  
Surface-mounted and undermounted installation

---

## Kitchen taps

- 76 Overview
- 82 Aquino Select M81 **NEW**
- 84 Metris M71 **NEW**
- 98 Talis M51 **NEW**
- 108 Talis M52
- 114 Talis M54 **NEW**
- 121 Focus M41
- 129 Focus M42 **NEW**
- 138 Logis M31
- 144 Logis M32

---

## Sink combi units

- 146 Overview
- 151 Stainless steel C71
- 157 SilicaTec C51

---

## Accessories and cleaning products

- 163 Overview
- 164 Soap dispensers **NEW**  
Shut-off valves  
Jet formers  
Power elements  
Drain covers
- 165 Cutting boards **NEW**  
Multifunction filters **NEW**  
Mobile draining board **NEW**  
Compensating element for sBox  
Cleaning **NEW**
- 166 Part number index

# HANSGROHE BECAUSE

---

Meet the beauty of water.



Water moments that delight

# From the outset we blazed a trail in the handling of water

At hansgrohe, we stand for modern design and refreshingly high quality products. For 118 years, we've been shaping the landscape of bathrooms and kitchens to make life easier, better and more beautiful for you. To this day, we continue to make most of our

products in the heart of the Black Forest – as a commitment to our "Engineered in Germany" quality guarantee, ensuring the best products for you. Our determination to enhance the beauty of water and every aspect of our experience knows no bounds. Innovation

combined with brilliantly simple, ultra-reliable technology ensures we create timeless and sophisticated products. hansgrohe: innovative in any era since 1901.



**Customer-oriented**



**1901**  
founded



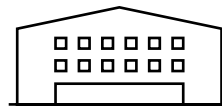
**Sustainable**



**55**  
sites worldwide



**22**  
sales offices



**33**  
companies



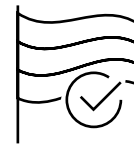
**143**  
countries supplied to  
on all continents



**Innovation**  
Pioneers in the industry



**Design**  
More than 600 awards



**Quality**  
Made in Germany

Excellence in innovation, design, quality and service

# **hansgrohe: our name is your guarantee**

## **Innovation**

- **Revolutionary innovations**
- **Industry pioneers**
- **Ground-breaking technologies**

At hansgrohe, a kitchen tap is more than just a tap; it's both a design accent and a crucial piece of technology in the kitchen. Our focus has always been on the benefits that our products bring, and on designs that work for our customers. In 1981, we produced the Allegroh range, setting new benchmarks in both form and technology. At our Research and Development laboratory in Germany's Black Forest we've continually innovated ever since, and today hold over 16,000 active patents. That is why Hansgrohe is a TOP 100 company and one of the world's leading brands in the industry.



For more on innovation, see page 8



## **Design**

- **More than 600 awards**
- **A design for every style**
- **International reference projects**

Design can be defined in a number of ways: shape, aesthetic, style. But, at hansgrohe, good design means more than just good looks. As well as world-class appearance, our influential designers also focus on quality and maximum customer benefit. It's our unwavering attention to detail that has earned more than 500 internationally renowned awards. From the big picture to the small details, we take every opportunity to make your bathroom experience the best it can be with our technical innovations. Whether it's Modern, Classic or Avantgarde, we have the perfect solution to suit any need and, most importantly, our timeless designs will outlive fast-paced fashion trends.



For more on design, see page 10



# Quality

- **Experts since 1901**
- **Made in Germany**
- **5 year guarantee**

Since 1901, people all over the world have put their trust in hansgrohe's durable products from the heart of the German Black Forest. hansgrohe is synonymous with high-quality products of exceptional design, ease of use and intelligent functions. Since our foundation, 'Engineered in Germany' has been a recipe for success and remains an integral part of our philosophy. This level of German expertise is recognised as a guarantee of excellence and every one of our facilities works to the high standards that we set. As testament to this, we offer a 5-year guarantee and hold spare parts for discontinued products for a further 15 years.



For more on quality, see page 12



# Service

- **Contactable and reliable**
- **Informative and involved**
- **Plan and enjoy**

Customer satisfaction has, and always will be, our primary concern. At hansgrohe, we want to work in partnership with you to ensure the best possible solution. Being able to deliver top-quality, personal service to our customers at all times is a key part of how we operate as a company. No matter the question, problem or special request, we are here to help.



For more on service, see page 14

Looking ahead, going ahead

# Innovation – overflowing with ideas

We haven't stopped designing groundbreaking innovative products since then. We set industry standards in terms of design, workmanship and functionality, and have the awards to prove it. In 2014, we designed the world's first kitchen tap with

Select technology that controlled water at the touch of a button. In 2016, the sBox brought greater freedom in the kitchen from the sink, and in 2019, our ingenious two-dimensional jet changed the kitchen yet again. We're never content with the status quo, always striving

for more efficient, more attractive and more exciting ways of using water in the home. We constantly examine our customers wants and needs, trialling new jet technologies and putting prototypes through their paces in our laboratory. No detail is left unexplored – we



**1981**  
ALLEGROH

The first single lever kitchen tap with hand spray.



**1986**  
QuickClean

QuickClean technology has a simple anti-limescale function.



**2004**  
AirPower

AirPower technology infuses water with air, makes droplets full-bodied and is water efficient.



**2014**  
Metris

World's first kitchen mixer featuring the Select button.



**2016**  
Operating concept

With the rocker lever on the front rim of the sink, the kitchen tap can be conveniently operated from the front.



**2016**  
sBox

The sBox vastly increases your working radius at the sink.

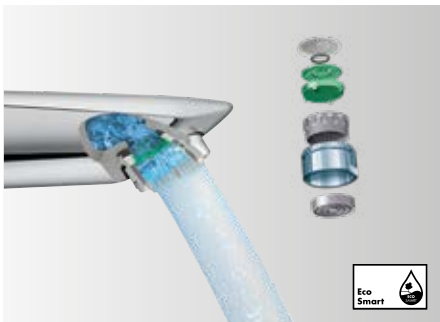




even experiment with and optimise the sounds of our products to make sure they integrate seamlessly into the home. More than 117 years after the company was founded, meticulous engineering is still the driving force behind our success. To ensure this continues, we

invest heavily in future-proofing technologies. This investment pays off. Today, a huge 30% of our sales come from products developed by a dedicated team of inventors. With this high "vitality index", we are one of the industry's leading innovators. The TOP 100 honours

Germany's most innovative small and medium companies, and Hansgrohe SE has been on the list of leading innovators since 2018. With such a wealth of experience behind us, the Hansgrohe Group is always looking ahead to the future.



**2007**

**EcoSmart**

EcoSmart taps consume up to 60% less water than conventional products. Climate protection begins in the kitchen.



**2011**

**ComfortZone**

Various spout heights ensure more room to move.



**2012**

**CoolStart**

User-friendly, energy-saving technology that only allows cold water to flow when the handle is in the middle position.



**2018**

**Colour options**

New material and colour options with SilicaTec.



**2019**

**Flat jet**

Innovative, flat SatinFlow spray for a futuristic workflow in the kitchen.



**2019**

**Surfaces**

High-quality finishes provide a variety of design options.

Distinguished in many respects

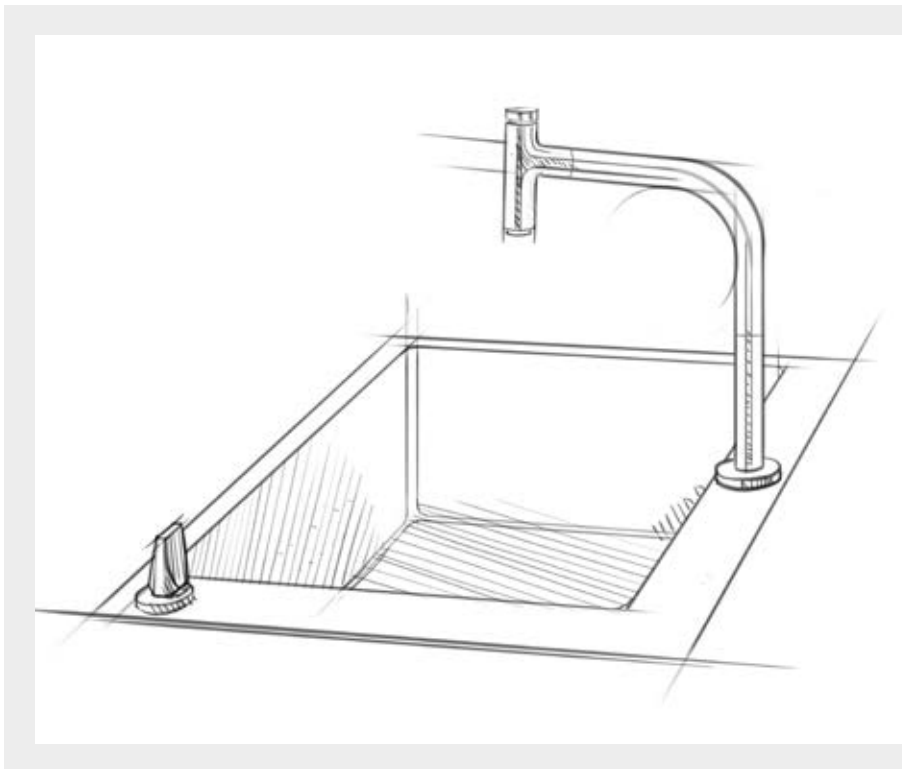
# Multi-award-winning design



Design isn't just a matter of taste. It's an attitude. The search for the most intelligent solution is always a goal for us. After all, design and functionality must go hand in hand in order to create products with stunning, extraordinary quality that redefine aesthetic

standards. As such, we are constantly working on outstanding creations in collaboration with the Phoenix Design team, who have won a whole host of international awards. Our products are timeless, beautiful and highly functional. The awards that we receive year in,

year out from international panels of experts make us a leading designer in the industry. Our products have already won more than 600 awards and 50 international design prizes, including the iF Design Award; one of the world's most prestigious design awards.



**Phoenix Design** has been shaping the face of hansgrohe for more than 30 years. The Stuttgart-based team exclusively curate designs for the entire shower and tap range. Over the past few decades, the team have been responsible for a long line of products featuring both technological and visual sophistications that will continue to enhance the beauty of water for years to come.

## hansgrohe is all about revered design:



We received the first design award in our history in 1974 for the TRIBEL model; the first convertible hand shower with three

different spray modes. Since then, numerous other international prizes have celebrated the successful combination of form and function in

our products, as well as the highly sustainable electroplating method used to create the surface finishes on our showers and taps.

International reference projects

# At home the world over

All over the world, developers and investors work hand in hand with architects and planners on sophisticated projects. They are constantly in need of intelligent and aesthetically appealing solutions for handling

the essential element water. The mixers, showers and bathroom collections from the Black Forest lend top addresses that definite extra design and comfort: in impressive hotels and public buildings, in private residences and royal

palaces, in exclusive sports clubs and in cruise ships and luxury yachts. For more inspiring examples visit **ispecify.hansgrohe.com**



Ocean Estates, Da Nang, Vietnam:  
Focus M41 Single lever kitchen mixer 260  
Copyright: Ocean Estates

Luftikus, Baiersbronn, Germany:  
Talis M52 Single lever kitchen mixer 170  
Copyright: Luftikus

Park Place, New York, USA:  
Talis M52 Single lever kitchen mixer 260  
Copyright: Park Place



Urban beach home Barcelona, Barcelona, Spain  
Talis M52 Single lever kitchen mixer 270  
Copyright: Urban beach home Barcelona

NEMA, San Francisco, USA:  
Talis M52 Single lever kitchen mixer 220  
Copyright: NEMA

iNZ Residences, Singapore:  
Focus M41 Single lever kitchen mixer 260  
Copyright: iNZ Residences

Satisfyingly high standards

# Quality – clear benefits to quality workmanship



Since day one, the enjoyment of our products has been one of our main aims; perfection in form and function is, and has always been, our standard. At hansgrohe, quality means one thing above all else: high-class workmanship. Always creating the

highest quality products defines our approach to modern design, manufacturing and performance. We only use the best materials and manufacture our products using state-of-the-art technology alongside human expertise to transform them into items with consistent and

long-term value. Every product is tested by trained and experienced staff before dispatch. hansgrohe workmanship guarantees reliable added value for you, as well as our retail and specialist trade partners. For more information go to [hansgrohe.com/service](https://www.hansgrohe.com/service)



## Firmly rooted in our home country

For almost 120 years, we've been loyal to our production site in Schiltach, Germany, and we remain one of the biggest employers in the region. Whilst our ambitions are global, our roots are local.



### Inspiration on the doorstep

Tranquil lakes, clear streams and powerful waterfalls are all part of the German Black Forest's distinctive charm. We find fresh new ideas for innovative ways to work with water day after day here. Having the countryside on our doorstep shapes our mindset and constantly makes us more and more aware that we need to be responsible and sustainable whilst working with the most precious of resources. hansgrohe has spent decades as a pioneer and trailblazer of water and energy-saving technologies, as well as environmentally-friendly production.



### Water in its best form

Our experts develop the best spray for each product in our very own sound and spray laboratory. They always consider two key things that they know are important to you – ease of cleaning and water-efficiency.



### Tradition meets innovation

Here at hansgrohe, we can build on the experience of three generations. With German engineering on our side, we can look to the future to create timeless, quality products using the latest production technologies.



### Ultimately, it's the human factor that counts

hansgrohe produces to the highest technical standard, but the benchmark for our standards is set by people. So, every single product is carefully checked by a real person before it leaves the German Black Forest.

Genuine added value

# Service – contactable and reliable

Customer satisfaction is always a priority at hansgrohe; we always offer our customers the best quality and service tailored

to them as an individual. You can always rely on qualified technical and sales advice from our employees wherever you are, at all times. With

hansgrohe you get service from professionals, for professionals.

## Field Service

Our sales team will be by your side throughout your journey. A member of the team will always be on hand to answer any and all questions regarding our products.

## In house Sales Service

You can phone, email or fax hansgrohe customer advisers for individual technical and commercial support.

## Technical Service

Our service specialists are trained engineers, so they are in an excellent position to deal with any technical issue you may encounter. If something cannot be explained on the telephone or via e-mail, you can even request an on-site visit from a specialist in building services.

### Service hours

Monday – Friday: 9.00 am – 5.00 pm

Phone: +49 7836 51-1282

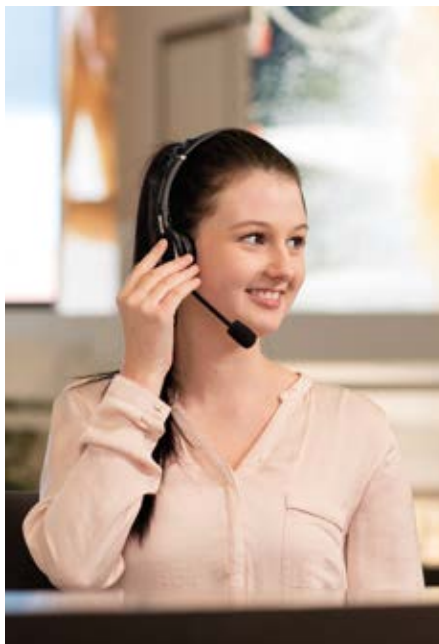
Fax: +49 7836 51-1440

E-Mail: [info@hansgrohe.com](mailto:info@hansgrohe.com)

## Online spare parts shop

All parts in detail: The electronic spare parts catalogue lets you find and purchase spare and special parts with particular ease. In addition, you will benefit from other functions like dimension drawings, links between drawings and service parts, a checklist and downloads of installation and service instructions.

**[spares.hansgrohe.com](https://spares.hansgrohe.com)**



## Special services and logistics

At hansgrohe, we will do all we can to satisfy your individual needs. Express delivery (no matter the distance), 24-hour spare parts service, excellent product availability, routine-optimised delivery, standardised cardboard packaging to make the ordering process and delivery as simple as possible plus a 5-year guarantee and assurance that spare parts for discontinued products are held for a further 15 years all come as standard.

First-hand testing

# Service – Plan through experience

We're here to help with the planning of the home, providing information in whatever format is easiest for you. Experience hansgrohe products in-person at our German showroom in Schiltach, either by joining a guided tour of our exclusive bathroom and kitchen exhibition or visiting the Water-Bath-Design Museum.

## Planning data

On each product page, you will find the relevant CAD data for you to download, available in both 2D and 3D DWG formats. You can also download cut-out data for the kitchen sinks as a ZIP file, comprising 2D, PDF and DXF files. All of our products and planning data is stored with the planning software companies Winner Design, CARAT and KPS designstudio. **[hansgrohe.com](https://www.hansgrohe.com)**



## Aquademie

Bathroom and kitchen exhibition, Water-Bath-Design Museum, tours and consultations. **[pro.hansgrohe-int.com/aquademie](https://pro.hansgrohe-int.com/aquademie)**

Opening hours  
Monday – Friday: 7.30 am – 7.00 pm  
Saturdays, Sundays & public holidays:  
10.00 am – 4.00 pm

Registering for consultation:  
Tuesday, Wednesday, Friday: 1 pm – 6 pm  
Phone: +49 7836 51-3272



## Showerworld

Test showers in the Showerworld. Anything is possible at the hansgrohe Aquademie. **[pro.hansgrohe-int.com/aquademie](https://pro.hansgrohe-int.com/aquademie)**

Opening hours:  
Monday – Friday:  
7.30 am – 7.00 pm  
Saturday, Sunday:  
10.30 am, 12.30 pm, 2.30 pm

Register for the Showerworld:  
Telephone: +49 7836 51 3272  
Fax: +49 7836 51-1505  
1 hour, maximum 20 people



**BORA**  
hansgrohe

© Bettinipho



hansgrohe Sponsoring

# Maximum performance in the kitchen and on a bike

hansgrohe is fuelled by the beauty of water, an element inextricably linked to sport. Like a hansgrohe-designed kitchen sink and tap working seamlessly with the clever sBox, a successful team must coordinate precise movements to perform at their best. Since 2017, hansgrohe has been the official title sponsor

of the world-class BORA-hansgrohe cycling team – a dynamic sport that wows huge crowds with its precision and skill, just like hansgrohe products in the bathroom and kitchen. The cycling team has been involved in testing and developing hansgrohe products, helping us to offer our athletic customers the best possible

experience of water. As hansgrohe brand ambassadors, the BORA-hansgrohe team spends almost the entire year travelling the world. Find out where and when our riders will be racing at **bora-hansgrohe.com** or on the hansgrohe and BORA-hansgrohe team social media pages.



facebook.com/Borahansgroheofficial  
facebook.com/hansgrohe  
facebook.com/PeterSagan



instagram.com/borahansgrohe  
instagram.com/hansgrohe



BORA-hansgrohe.com  
hansgrohe.com



Left: Santos Tour Down Under 2018, Stage 4 128.2 km from Norwood to Uraidla, Stage winner, Peter Sagan.  
Right: Peter Sagan, world cycling champion 2015/2016/2017.

# ADVANTAGES, FEATURES, AND TECHNOLOGIES

---

**hansgrohe in the kitchen**



Range

# hansgrohe in the kitchen

## Sinks



- Choice of installation options: Surface-mounted, flush-mounted, and undermounted installation
- A variety of designs to complement any kitchen
- A range of materials, such as stainless steel sinks and granite sinks made of SilicaTec
- SilicaTec sinks are available in three different colour schemes
- Can be combined with any hansgrohe kitchen tap

## Kitchen taps



- User-friendly Select technology
- Kitchen taps with pull-out function use sBox to cleverly extend the working radius around the sink
- ComfortZone offers more room to move, thanks to an extra-high spout and swivel function
- A wide range of kitchen taps to complement any kitchen
- A variety of surface finishes

## Sink combi units



- Easier planning than with conventional sinks: All components (kitchen tap, sink, sBox, waste unit and accessories) are included in the combi unit
- Innovative all-in-one solutions, which are both functional and perfectly coordinated with each other
- A range of materials, such as stainless steel sinks and granite sinks made of SilicaTec
- Choice of two different kitchen taps from the Metris M71 range, each as 2-hole version with separate control unit

## Accessories and cleaning



- Kitchen assistants that make working at the sink simpler than ever before
- There are three different designs of the practical soap dispenser to fit every hansgrohe kitchen tap
- Simple kitchen multitasking thanks to the multi-function filter, mobile draining board and cutting board
- The cleaning and care spray for stainless steel and SilicaTec offers protection against dirt, staining and limescale deposits

New products – high-end brand quality for the kitchen

## The perfect kitchen aid

All styles are catered for in hansgrohe's kitchen tap ranges. The innovative Select technology makes operation easy, while the ComfortZone provides you with more freedom

to move. With its new kitchen taps, hansgrohe once again marries technological precision with maximum functionality. Thanks to the reversible installation of the sinks with draining

board and a variety of sink sizes, they fit a wide number of installation scenarios. The new accessories available match all sinks and taps, providing a choice of style options.



### **Aquno Select M81:**

The inimitable Aquno Select M81 kitchen taps create a ultra-modern workflow for ultra-efficient water management at the sink. The incredible design results in water that flows in a completely new way. The large, innovative SatinFlow jet is unique, redefining how you work at the sink. It allows you to gently wash food, clean large objects without splashing and wash your hands, all while conserving resources. Finished with a tailor-made multi-function filter, preparing and cooking food has never been so efficient, simple or pleasurable.

### **Talis M54:**

Sleek and minimalist in design. Uncompromising in function and quality. The Talis M54 kitchen taps display a slimline silhouette, giving a stylish look to every modern kitchen. Alongside the chrome and stainless steel finish options, the matt black design provides an eye-catching alternative design. The range includes a choice of key basic shapes and comfortable heights, allowing the taps to be incorporated into a wide variety of kitchen styles.





**Metris Select M71 & Talis Select M51 expansion:**

The new addition to the popular Metris Select M71 and Talis Select M51 kitchen taps feature a newly developed shower head that combines two features: hansgrohe Select technology and two jets on the hand spray. The benefit to you? One-handed operation and even more precise water control.

**S41 stainless steel sinks:**

The sinks designed to weather the practicalities of everyday life. The organic and simple design language blends with any kitchen style. Variable installation options and exchange possibilities make them an incredibly flexible choice. Also suitable for base units with a width from 45 cm, they offer easy ordering thanks to integrated manual or automatic waste set.



**Accessories and cleaning products:**

Getting things done in the kitchen is so much easier when you have the right tools. That's why hansgrohe's new products make working with our kitchen solutions as comfortable as possible. Our soap dispensers fit every kitchen tap. Our multi-function filter, mobile draining board and cutting board make multitasking easy. Cleaning and care spray protects stainless steel and SilicaTec against dirt, staining and limescale deposits. Simple and convenient, through and through.

# SINKS

---

Flawless workmanship, a range of installation options



Installation tips

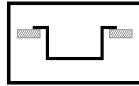
# Installation in accordance with the style

Every customer has their own ideas of how the sink should be integrated in the kitchen. That is why hansgrohe offers three different installation options: surface-mounted, flush-fit or under-mounted. Each option has its own advantages and will vary according to the worktop material, its requirements and of course personal styles.

## Surface-mounted



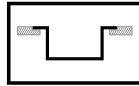
This is the most frequently-used option. The sink is inserted from above into a hole cut in the worktop – a straightforward cut-out then is all it requires. This shows the flush 1mm rim at its very best, and is ideal for wood or laminate worktops.



## Flush-fit



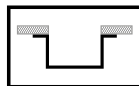
Flush-fit installation is only possible with stainless steel sinks and creates an optical unit consisting of sink and worktop. The sink is fitted flush to the worktop, requiring an absolutely precise worktop cut-out. This allows for a smooth transition that provides valuable additional working areas and makes cleaning easier as there is no obstructive rim on the sink edge. This installation option is ideal for worktops made of solid continuous materials such as natural stone, glass, quartz or ceramic.



## Undermounted



With under-mounted installation, the sink is lowered into the worktop, making the kitchen look more spacious. The sink is attached to the worktop from below. This requires an opening the same size as the sink which is then glued and screwed to the worktop. The sink is very easy to clean with dirt or liquids simply wiped into it. This installation option is only suitable for worktops made of materials that are not sensitive to water – natural stone, concrete or quartz. With under-mounted installation, the kitchen mixers need to be installed in the worktop or on the wall above it.



Stainless steel

# Quality you can see and feel

Hygienic and easy to clean, robust stainless steel is rustproof and withstands contact with corrosive substances like fruit acids. Our S71 sinks and C71 combi units

are all made of high quality 1 mm thick hand-welded stainless steel. S41 sinks are made of 0.8 mm thick stainless steel and include rounded corners to avoid dirt build-up. Every

stainless steel built-in sink is also fitted with a reinforcement bracket to ensure a stable tap fixture.



### Stainless steel S71 sinks and C71 sink combi units:

These hand-welded 1 mm stainless steel sinks shine with precisely manufactured edges and 10 mm corner radii.



### Stainless steel S41 sinks:

Made of 0.8 mm thick stainless steel, the flowing, soft edges and the discreetly positioned overflow blend seamlessly into modern kitchen styles.



## Advantages and benefits

- Stainless steel sinks that blend harmoniously into every kitchen
- Lighter than other sink materials and so easier to install
- Precisely and exclusively made surfaces and edges
- Exact areas and precise 10 mm corner radii for easy cleaning
- Stainless steel is heat resistant, hygienic and never rusts



SilicaTec

# The natural choice

Granite sinks made of SilicaTec, the material of the future, bring a natural hint of colour into the kitchen. The main component is fine quartz sand, the hardest component of

granite. The remaining 20% is high quality acrylic, which acts as a binding agent and creates the colour pigmentation. The result is a smooth, hard and pore-free surface that is easy

to clean. It is also extremely resilient against damage from heat, scratches or dirt. Three different colour schemes ensure SilicaTec sinks offer even more individuality in the kitchen.



**SilicaTec S51 sinks and C51 sink combi units in -170 graphite black:**  
A tactile and natural material



**SilicaTec S51 sinks in -290 stone grey:**  
The smooth, pore-free surface prevents water from penetrating and dirt from sticking.



**SilicaTec S51 sinks in -380 concrete grey:**  
Resistant to discolouring from food stains.



## Advantages and benefits

- SilicaTec sinks blend harmoniously into any kitchen, thanks to the range of colour options.
- Very strong surface with a high thermal resistance
- Resistant to food stains
- The smooth, non-porous surface prevents water and dirt from penetrating or sticking
- Thanks to this stone-like composite quartz material, its tough, hard surface resists scratches, knocks and dents

Sink sizes

# The perfect sink for every kitchen

The opportunity to choose your sink shape – whether small, oblong or a double sink – allows for a completely individual kitchen design. A draining board expands the usable sink space, while large basins give room

to clean large items and fill larger containers. With a double bowl sink, you can carry out different jobs in parallel. The overflow, cleverly integrated into the side of the sink, is hidden from view, along with a choice of manual or

automatic drain fittings. Because hansgrohe sinks can be combined with all kitchen taps and offer so many installation options, you can design the perfect kitchen for your style and taste requirements.

## Single basins with and without draining board for base units with a width of 45–80 cm



### Advantages and benefits

- Sinks available with and without draining board
- Reversible installation for S41 sinks
- Kitchen taps with swivel function are recommended. The incrementally adjustable rotation range prevents the tap from turning away from the basin and ensures comfort when working at the sink.

## Extra-large single basins for base units with a width of 80 cm



### Advantages and benefits

- These sinks are particularly suitable for cleaning large items, such as baking trays
- Kitchen taps with pull-out and swivel function are ideal for convenient cleaning of the entire basin

## Double basins for base units with a width of 80–90 cm



### Advantages and benefits

- Carry out several jobs at once
- Kitchen taps with pull-out and swivel function are ideal for convenient cleaning of the entire basin



# KITCHEN TAPS

---

Versatile products, expressive design



Aquno Select M81

# Perfected for a fluid, easy workflow

The inimitable Aquno Select M81 kitchen taps create an ultra-modern workflow for ultra-efficient water management at the sink. The incredible design results in water that flows

in a completely new way. The large, innovative SatinFlow jet is unique, redefining how you work at the sink. It allows you to gently wash food, clean large objects without splashing

and wash your hands, all while conserving resources. Finished with a tailor-made multi-function filter, preparing and cooking food has never been so efficient, simple or pleasurable.



### Multitask with the multi-function filter:

Tailored to the dimensions of the splash-free SatinFlow jet, the supplied multi-function filter allows for the convenient cleaning and draining of food, hygienically avoiding contact with the sink. This hands-free operation means you can get to work on the next step of meal prep.



### Pull-out function:

Enjoy even more space to work with the hand spray. Combined with the innovative sBox, it extends the operating radius up to an impressive 76 cm, and allows you to choose your preferred jet type.



### Switch jet types simply:

Change from the SatinFlow jet to the hand spray at the touch of a button, thanks to Select. Discreetly embedded in the base of the tablet, the green ring around the button indicates the current setting, ensuring safe and predictable water control.



## Advantages and benefits

- The flat SatinFlow jet is ideal for rinsing delicate foods, cleaning large objects splash-free and conserving water when hand washing at only 4 l/min.
- All-in-one concept for efficient water use
- Multi-function filter included in delivery
- Easy installation on standard 35 mm diameter tap hole
- Installation of the Aquno Select M81 is recommended for all single basins. Due to the central bar, installations on double sinks must be checked separately.

## 2-hole kitchen taps

# Innovative features for intuitive operation

In the kitchen, tasks often revolve around the sink, so every handle should be comfortable to use. hansgrohe creates groundbreaking kitchen taps offering supreme usability and functionality. Our innovative

taps feature a brand new control concept, separating water settings and water flow for more ergonomic operation. A press of a button is all it takes to start the water flow at a pre-set temperature and volume, making repetitive

tasks brilliantly quick and easy. And of course, all these new functions are found in our sink combi units.



With Select technology and a rocker lever positioned at the front edge of the sink, the kitchen tap can be conveniently operated without reaching across the flow of water.

The ergonomically shaped rocker lever allows you to conveniently pre-set water volume and temperature.



Control water temperature by turning the ergonomic water lever.



Control water volume by tilting the lever.



The combination of our intuitive hand spray Select button and the practical pull-out spout allows easy multitasking and total kitchen convenience.



With the Select button at the front edge of the sink, the kitchen tap can be conveniently operated from the front.

When your hands are full, water can be comfortably switched on and off with your elbow.



The water flow can be started and stopped by pressing the Select button.



The drain is opened and closed by turning the control unit.



The hand spray expands the operating radius, while the hose is protected from damage as it is secured in the sBox. With the Select button at the front of the sink, the water can be turned on and off at the touch of a button. The handle remains open, maintaining water volume and temperature.



## Advantages and benefits

- Simple and intuitive operation, for example with the back of the hand, for more targeted and flexible water control
- A unique operating concept: precise and intuitive on/off controls
- The kitchen tap and sink merge to form a single unit with Select technology
- Ergonomic “Universal Design” means safe, easy operation for every age group
- Extend the operating radius by up to 76 cm with the pull-out spout and sBox
- Pre-set your preferred water volume and temperature according to your needs

Simply ingenious

# Technologies – simple and convenient

## **Select:** Convenient operation at the touch of a button

Select technology delivers total convenience: effortlessly pause and restart water flow with just one click. Operate with an elbow or the back of your hand, keeping your hands free and your kitchen taps clean.



### **Advantages and benefits**

- Convenient use and optimal water flow
- Stop and start the water flow at the touch of a button
- Can even be operated with your elbow or arm



**Flexibility:** The combination of the Select button and pull-out spout makes work at the sink simpler and more comfortable. The hose can be extended by up to 76 cm, which extends your working radius and makes filling containers much easier.



**Space to move:** Thanks to Select technology, water flow can easily be switched on and off manually with your finger, back of hand or arm. That means more freedom of movement and easier multitasking, so you can work more efficiently.



**Speed:** The Select button on the edge of the sink lets you start and stop the water flow quickly and conveniently for tasks such as washing dishes.

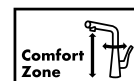


Scan the code and learn more about  
hansgrohe technologies



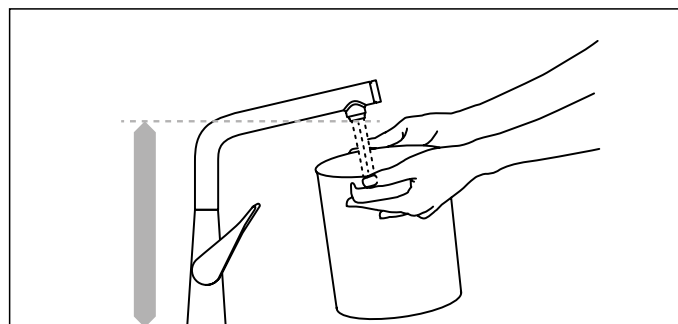
## ComfortZone: Total freedom of movement

The extra-high spout gives you plenty of room to fill containers. The swivel of the kitchen taps can be set incrementally (60°/110°/120°/150°) or to 360°.

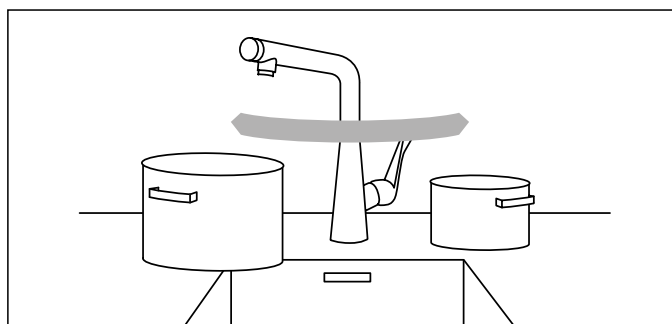


### Advantages and benefits

- The optimum height for every need
- A flexible swivel area prevents over-rotation
- Ultimate freedom of movement



**Height:** An extra-high spout offers plenty of space, perfect for filling containers.



**Swivel function:** The kitchen taps offer either a limited swivel area (60°/110°/120°/150°) or complete freedom of movement at 360°. This is especially practical when working at both sides of the kitchen tap simultaneously.

Simply ingenious

# Technologies – lightweight and convenient

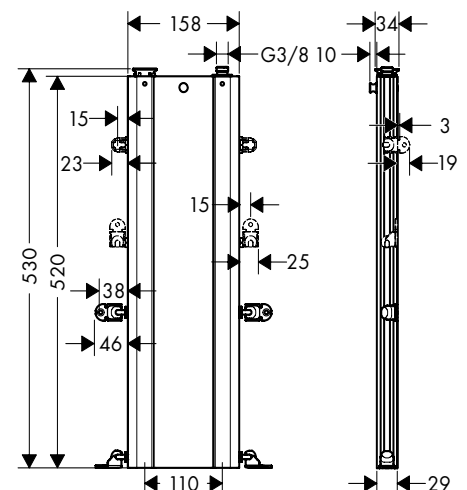
## sBox: Easy to stow away

With extendible kitchen taps and sink combi units, the sBox ensures that the hose can be pulled out and stowed away safely and easily. The 52 cm-tall box fits into all standard base units from 74 cm upwards. Alternatively, products can also be purchased without the sBox.



### Advantages and benefits

- Smooth and safe retrieval of the hose, without getting in the way of the drawer or waste separation system
- Multiple installation options in the base unit thanks to flexible mounting elements
- sBox keeps things neat under the sink
- The hose weight in the sBox ensures smooth and quiet use
- Optional accessory: Optional compensating element also allows for use in lower cabinet bodies



Scan the code and learn more about  
hansgrohe technologies



## Installation options



### Best placement – vertically below kitchen tap:

The lower brackets are firmly screwed to the floor. The upper brackets can either be screwed to or suspended on the rear panel. The mounting elements can be moved and rotated 360°, making installation fast and easy.

### Vertically below kitchen tap, tilted backwards or forwards:

Backward tilted installation is recommended when the rear wall is offset to the front or where there are immovable objects on the ground. Brackets face forward, which means the sBox can be easily removed for quick and easy cleaning. The sBox can also be tilted forwards over the rear wall.

Maximum recommended tilt angle:  $\pm 20^\circ$ .



### At the back of the rear wall, tilted sideways:

Laterally tilted installation is an option where there are obstacles on the ground such as waste pull-out or drainage systems, or when angle valves are difficult to access. The brackets can be screwed to the base, sides or rear panel.

Maximum recommended tilt angle:  $\pm 20^\circ$ .

### Tilted and offset on the side wall:

Installation on the side wall can be used in installation scenarios involving corner sinks, sinks with draining boards or sinks with tap holes that are shifted to the side. The brackets are all screwed to the side. Parallel displacement of the sBox should be avoided. If displacement is required for the installation, there should never be more than 30 mm between the tap and outlet axis of the sBox.

Simply ingenious

# Technologies – practical and versatile

## **Pull-out functionality:** Extended flexibility

The hand spray and pull-out spout extend your working radius at the sink, which is useful for tasks such as watering plants.



### **Advantages and benefits**

- Standard extendibility: 50 cm maximum
- The sBox extends the operating radius up to 76 cm
- MagFit magnetic shower support provides easy hose retraction and precise fitting of the shower seat



Scan the code and learn more about  
hansgrohe technologies



## Jet types: Switch for the task in hand

What you do at the sink changes all the time, which is why you need different jet types. Sometimes you need to fill a container quickly, while at other times you need to wash delicate food. Our kitchen taps provide the perfect jet for every task, and you can switch between them quickly and easily.



### Advantages and benefits

- Easily change between jet types
- Lockable shower spray
- Jet can be reset at the push of a button
- Intuitive changing thanks to the placement of the precise touch point in one direction



#### Normal spray:

Fuller, lighter and softer droplets from an aerated jet, thanks to AirPower technology.



#### Laminar spray:

Crystal clear and economical, without added air. Ideal for quickly filling large containers, and can prevent splashing.



#### Shower spray:

Economical and cleansing. Also perfect for fast spraying at the sink.



#### SatinFlow spray:

Efficient, splash-free and economical water consumption. The large jet pattern gently blankets food, cleans large objects such as baking trays and saves water when hand-washing.

Simply ingenious

# Technologies – lightweight and economical

## **QuickClean:** Rub away limescale and dirt in an instant

QuickClean's flexible silicone discs mean dirt and limescale can be rubbed off with your finger, with the minimum of effort and no need for cleaning products. This extends the product's lifespan and keeps things working perfectly.



### **Advantages and benefits**

- Quick and simple cleaning
- A longer product lifespan

## **AirPower:** For an abundant water flow

AirPower works by drawing in air via the jet outlet. This addition of air enriches the incoming water, making the jet fuller, lighter and softer. AirPower cleverly delivers a high jet volume with less water.



### **Advantages and benefits**

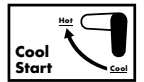
- Fuller, lighter and softer droplets, for an enhanced water jet
- Less risk of splashing
- Higher efficiency contributes towards lower water consumption

Scan the code and learn more about  
hansgrohe technologies



## CoolStart: Hot water when you really need it

On standard taps the continuous flow heater or circulation pump starts up immediately if the handle is in the middle position. With CoolStart, hot water is only added when the lever is moved to the left, cutting down on energy use, CO<sub>2</sub> emissions and costs.



### Advantages and benefits

- Only cold water flows in the default setting
- This can save water and energy, which in turn, saves money
- Better user ergonomics: The lever for hot water can only be moved to the left

Simply ingenious

# Technologies – flexible and adaptable

## **Tilt function for installation in front of a window:** Adaptable to any situation

Windows that open inwards get in the way of fixed kitchen taps. These taps are ideal for installation in front of a window, as you can simply lift and tilt the kitchen taps when you want to open and close the window.



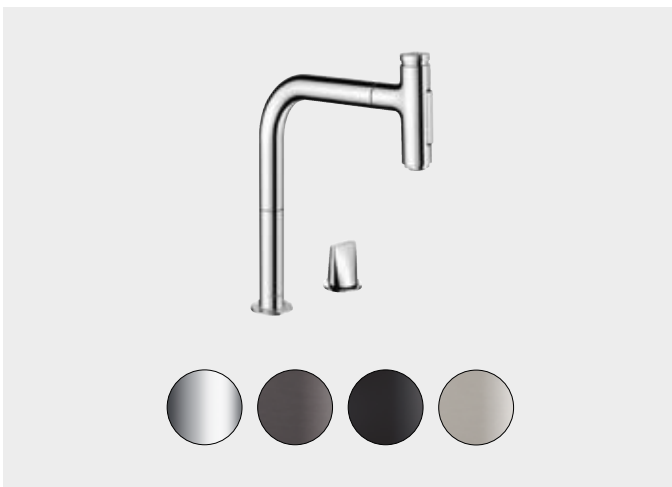
### **Advantages and benefits**

- Ideal for installation in front of a window
- Allows you to open and close a window



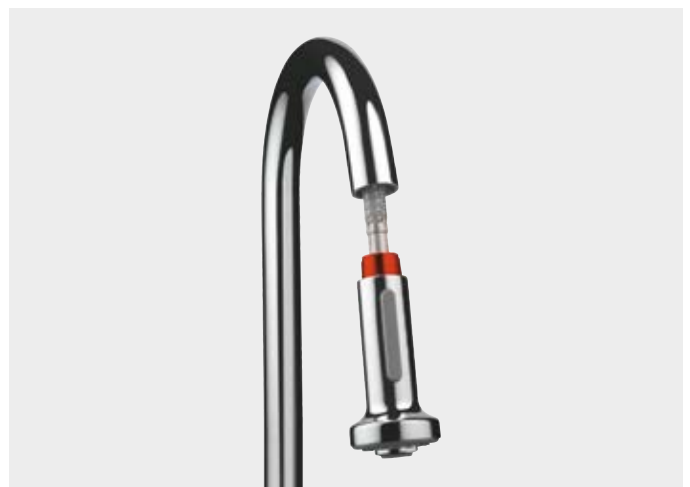


Scan the code and learn more about  
hansgrohe technologies



**A range of surface finishes:**

Add an element of refinement with hansgrohe's kitchen taps available in exclusive -340 brushed black chrome and -670 matt black, in addition to -000 chrome and -800 stainless steel finish.



**MagFit magnetic bracket:**

The MagFit feature enables the hose to slide back almost silently and attach itself back in the centre of the tap spout.



**Ceramic cartridge with Boltic handle lock:**

Thanks to specially hardened discs, the ceramic cartridges ensure a long service life for the kitchen tap. The Boltic handle lock guarantees sturdy operation.



**Easy installation:**

Flexible connections and an integrated stabilisation plate for thin-walled stainless steel sinks simplifies the installation of the kitchen tap and ensures a secure connection. Connected PEX hoses are temperature resistant and taste and odour neutral. An aerator key is also included in the delivery.

# SINK COMBI UNITS

---

One order, all components



Sink combi units

# One order – all components

The C71 and C51 sink combi units offer an innovative overall solution. One great advantage of hansgrohe sink combi units compared to conventional sinks is the fact that all the components come together. This makes planning much simpler, because a combi unit includes a sink, kitchen tap, sBox and all other necessary elements. This streamlines the ordering process, as the entire combination has one common order number.



**C71 stainless steel sink combi units:**

For the kitchen taps, you have a choice between the variant with a Select button or the variant with a rocker lever. Both models are available in -000 chrome and -800 stainless steel finish. The sink is made of stainless steel.



**C51 SilicaTec sink combi units:**

Choose between the variant with Select button or rocker lever for the kitchen taps. Both models are available in -000 chrome. The sink is made of SilicaTec in graphite black.



## Advantages and benefits

- Easy ordering process – one order number for the entire combi unit
- Durable combi unit made of high quality, hard-wearing materials
- Coordinated components for a tight system
- All-in-one system ensures a simple planning process
- Every combi unit is supplied ready for installation with all the necessary accessories included, and can be integrated into the worktop straight away

# ACCESSORIES AND CLEANING PRODUCTS

---

**Kitchen assistants that make work easier than ever before**



Multi-function filter

# Multitasking made easy

Getting things done in the kitchen is so much easier when you have the right tools. That's why hansgrohe's new products make working with our kitchen solutions as

convenient as possible. Our soap dispensers fit every kitchen tap. Our multi-function filter, mobile draining board and cutting board make multitasking easy. Cleaning and care spray

protects stainless steel and SilicaTec against dirt, staining and limescale deposits. Simple and convenient, through and through.



**Multi-function filter:**

Tailor-made for hansgrohe sinks, the multi-function filter allows for the convenient cleaning and draining of food, hygienically avoiding contact with the sink. This hands-free operation means you can get to work on the next step of meal prep.



## Advantages and benefits

- Tailored to the width of the large SatinFlow jet
- Convenient cleaning, draining and storage
- Hygienically avoids contact with the sink
- Multitask – both hands stay free
- Slides along the sink for the optimal use of space
- Splash-free and precise for ergonomic work at the sink: Filter angle sloping, with the lowest point of the filter at the front edge of the sink

Cutting board and mobile draining board

## Tailor-made kitchen aids



### **Cutting board:**

The guide edge on the solid oak or walnut cutting board transforms it into a shelf and enables you to slide it along hansgrohe sinks.



### **Mobile draining board:**

Thanks to its grooves, the stainless steel mobile draining board drains water quickly and efficiently towards the sink. It offers hygienic safety when handling food and is dishwasher safe. After use, dishcloths and tea towels can be hung on the plastic frame to dry, dripping directly into the sink.

Soap dispensers, SoftStart and cleaning agents

# Noticeably simpler workflows



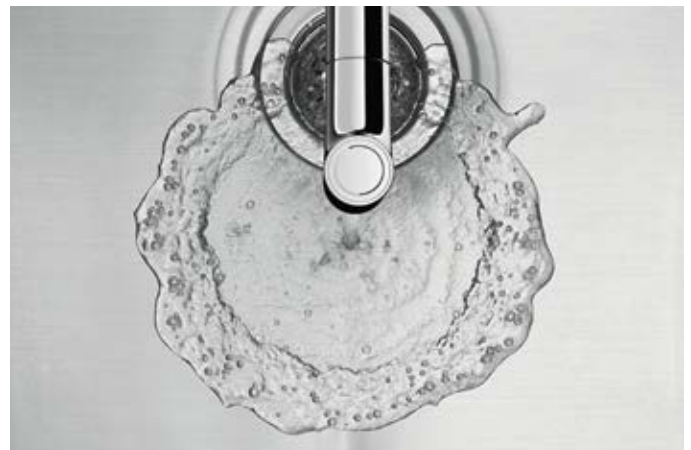
### Soap/lotion dispenser

The practical soap/lotion dispenser comes in three designs and two surface finishes so it can be paired with any hansgrohe kitchen tap.



### Cleaning:

The cleaning and care spray for stainless steel offers protection against dirt, staining and limescale deposits. Similarly, the cleaning set for SilicaTec sinks consists of limescale remover, waterproofing and eraser sponge for hygienic cleanliness and a superior shine.



### SoftStart jet former:

The slow-opening aerator in the SoftStart jet former causes a gradual increase in water volume for a smoother start to water flow. This reduces splashing, especially for kitchen taps with a high spout.




## Advantages and benefits

- Tailor-made for sliding along hansgrohe sinks
- The robust stainless steel draining board can withstand heat and contact with harmful substances
- Multi-functional and tidy
- Large selection of designs and surface finishes
- Hygienic cleanliness and shine
- Reduced splashing





# Stainless steel sinks overview

Base unit		45 cm	50 cm
<b>S71</b>			
Variants	Standard single tap hole		
	Standard with 2 tap holes		
Installation type	Surface-mounted installation		
	Flush-mounted installation		
	Base unit installation		

For the entire range, turn to [from page 54](#)








<b>S71</b>			
Variants	Standard		43425, -800
Installation type	Surface-mounted installation		
	Flush-mounted installation		
	Base unit installation		■

For the entire range, turn to [from page 59](#)



<b>S41</b>		 <b>NEW</b>	 <b>NEW</b>	 <b>NEW</b>	 <b>NEW</b>
Variants	Standard		43340, -800		43341, -800
	Standard with 2 tap holes	43334, -800	43337, -800	43335, -800	43338, -800
Installation type	Surface-mounted installation	■	■	■	■
	Flush-mounted installation	■	■	■	■
	Base unit installation				

For the entire range, turn to [from page 64](#)




60 cm		80 cm		90 cm
				
43301, -800	43306, -800 43331, -800	43302, -800	43309, -800	43303, -800
43305, -800	43307, -800 43332, -800	43308, -800	43310, -800	43311, -800
■	■	■	■	■
■	■	■	■	■
				
43426, -800	43427, -800	43428, -800	43429, -800	43430, -800
■	■	■	■	■
				
43336, -800	43342, -800 43339, -800			
■	■			
■	■			

# SilicaTec sinks overview

<b>Base unit</b>		<b>60 cm</b>	
<b>S51</b>			
Variants	Standard	43312, -170, -290, -380	43314, -170, -290, -380 43330, -170, -290, -380
Installation type	Surface-mounted installation	■	■
	Flush-mounted installation		
	Base unit installation		

For the entire range, turn to

from page 71

<b>S51</b>		
Variants	Standard	43431, -170, -290, -380
Installation type	Surface-mounted installation	
	Flush-mounted installation	
	Base unit installation	■

For the entire range, turn to

from page 74

**80 cm**

**90 cm**



43313, -170, -290, -380

43315, -170, -290, -380

43316, -170, -290, -380



43432, -170, -290, -380

43433, -170, -290, -380

43434, -170, -290, -380



# STAINLESS STEEL S71

Minimalist design, maximum choice



S71

# Why choose a hansgrohe tap?



**High quality:**

The 1 mm thick, hand-welded stainless steel sinks shine with high quality workmanship, boasting precisely manufactured edges and 10 mm corner radii.



**Stable**

All sinks are equipped with a reinforcement bracket and double the material thickness for stable tap fixture – no more shaking.



**Installation options:**

Stainless steel S71 sinks can be flush-mounted or surface-mounted, or you can opt for a base unit model. A choice of sink sizes ensures maximum flexibility.



**Robust:**

Stainless steel is robust enough to withstand contact with abrasive substances, such as fruit acid.



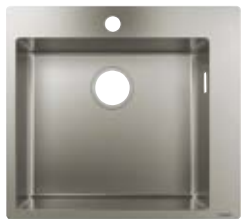
**Heat-resistant:**

Stainless steel is unaffected by extreme temperature changes and is completely rustproof.

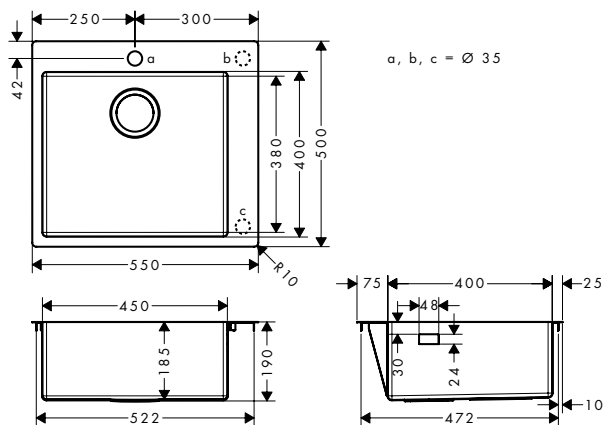


**Easy installation:**

Fastening clamps for a clamping range of 28–40 mm are included in the delivery. The required accessories (waste and overflow set) must be ordered separately, depending on the kitchen tap selected.



**S71**  
S711-F450 Built-in sink 450  
# 43301, -800



**Base unit**

**60 cm**

**Installation type**



**Required accessory**

D14-10 Manual waste and overflow set  
for single bowl  
# 43921800

**Features**

- material: stainless steel
- number of bowls: 1 main bowl
- predrilled tap hole
- sink depth: 190 mm
- cut-out dimensions: 530 x 480 mm
- cabinet size: 60 cm
- type of installation: flat on the countertop (self-rimming) or flush-mount installation
- position overflow: on the right side of the bowl
- tap ledge reinforcing for a tight and stable seating of the kitchen mixer
- corner radius: 10 mm

**Additional products**



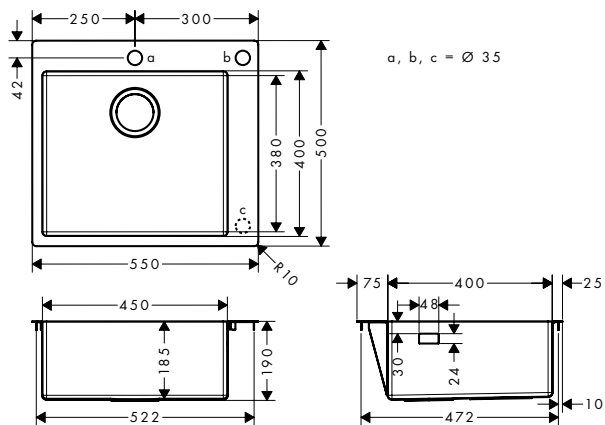
F17 Mobile drainboard  
# 40962000



F15 Cutting board walnut  
# 40960000



**S71**  
S712-F450 Built-in sink 450  
# 43305, -800



**Base unit**

**60 cm**

**Installation type**



**Required accessory**

D14-11 Automatic waste and overflow set  
for single bowl  
# 43931800

**Features**

- material: stainless steel
- number of bowls: 1 main bowl
- tap hole and hole for pop-up waste control are pre-drilled
- sink depth: 190 mm
- cut-out dimensions: 530 x 480 mm
- cabinet size: 60 cm
- type of installation: flat on the countertop (self-rimming) or flush-mount installation
- position overflow: on the right side of the bowl
- tap ledge reinforcing for a tight and stable seating of the kitchen mixer
- corner radius: 10 mm

**Additional products**



F14 Multifunctional strainer  
# 40963000



F16 Cutting board oak  
# 40961000



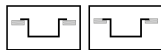
**S71**  
 S715-F450 Built-in sink 450 with drainboard left  
 # 43306, -800  
 S716-F450 Built-in sink 450 with drainboard right  
 # 43331, -800 (not shown)



**Base unit**

**60 cm**

**Installation type**



**Required accessory**

D14-10 Manual waste and overflow set  
 for single bowl  
 # 43921800

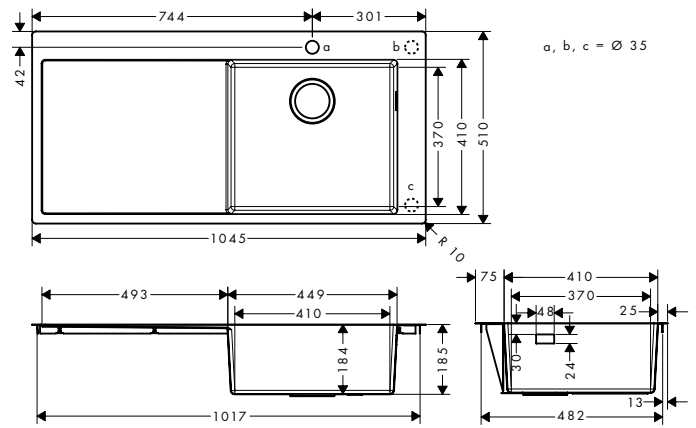
**Features**

- for installation in worktops from 25 mm
- material: stainless steel
- number of bowls: 1 main bowl
- with drainage
- predrilled tap hole
- orientation: bowl left
- sink depth: 190 mm
- cut-out dimensions: 1025 x 490 mm
- cabinet size: 60 cm
- type of installation: flat on the countertop (self-rimming) or flush-mount installation
- position overflow: on the left side of the bowl
- tap ledge reinforcing for a tight and stable seating of the kitchen mixer
- corner radius: 10 mm

**Additional products**



F14 Multifunctional strainer  
 # 40963000



**S71**  
 S717-F450 Built-in sink 450 with drainboard left  
 # 43307, -800  
 S718-F450 Built-in sink 450 with drainboard right  
 # 43332, -800 (not shown)



**Base unit**

**60 cm**

**Installation type**



**Required accessory**

D14-11 Automatic waste and overflow set  
 for single bowl  
 # 43931800

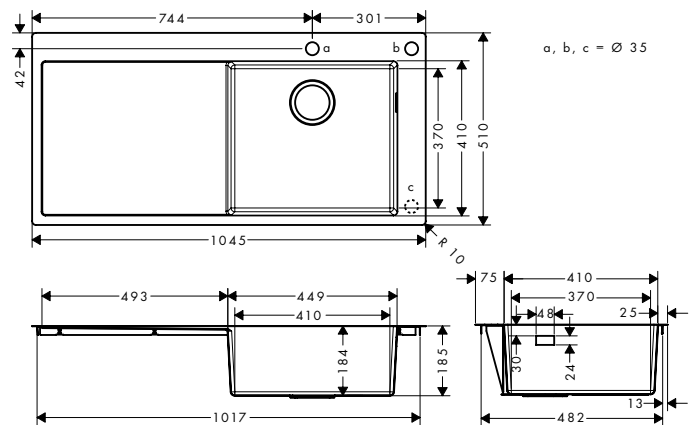
**Features**

- for installation in worktops from 25 mm
- material: stainless steel
- number of bowls: 1 main bowl
- with drainage
- tap hole and hole for pop-up waste control are pre-drilled
- orientation: bowl left
- sink depth: 190 mm
- cut-out dimensions: 1025 x 490 mm
- cabinet size: 60 cm
- type of installation: flat on the countertop (self-rimming) or flush-mount installation
- position overflow: on the left side of the bowl
- tap ledge reinforcing for a tight and stable seating of the kitchen mixer
- corner radius: 10 mm

**Additional products**

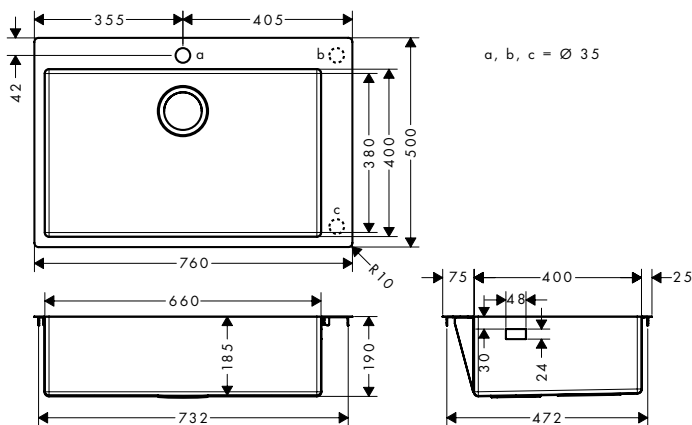


F14 Multifunctional strainer  
 # 40963000





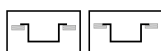
**S71**  
S711-F660 Built-in sink 660  
# 43302, -800



**Base unit**

**80 cm**

**Installation type**



**Required accessory**

D14-10 Manual waste and overflow set  
for single bowl  
# 43921800

**Features**

- material: stainless steel
- number of bowls: 1 main bowl
- predrilled tap hole
- sink depth: 190 mm
- cut-out dimensions: 740 x 480 mm
- cabinet size: 80 cm
- type of installation: flat on the countertop (self-rimming) or flush-mount installation
- position overflow: on the right side of the bowl
- tap ledge reinforcing for a tight and stable seating of the kitchen mixer
- corner radius: 10 mm

**Additional products**



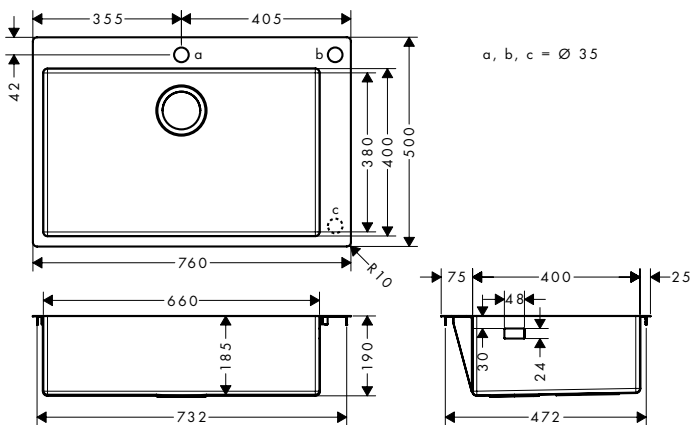
F17 Mobile drainboard  
# 40962000



F15 Cutting board walnut  
# 40960000



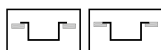
**S71**  
S712-F660 Built-in sink 660  
# 43308, -800



**Base unit**

**80 cm**

**Installation type**



**Required accessory**

D14-11 Automatic waste and overflow set  
for single bowl  
# 43931800

**Features**

- material: stainless steel
- number of bowls: 1 main bowl
- tap hole and hole for pop-up waste control are pre-drilled
- sink depth: 190 mm
- cut-out dimensions: 740 x 480 mm
- cabinet size: 80 cm
- type of installation: flat on the countertop (self-rimming) or flush-mount installation
- position overflow: on the right side of the bowl
- tap ledge reinforcing for a tight and stable seating of the kitchen mixer
- corner radius: 10 mm

**Additional products**



F17 Mobile drainboard  
# 40962000

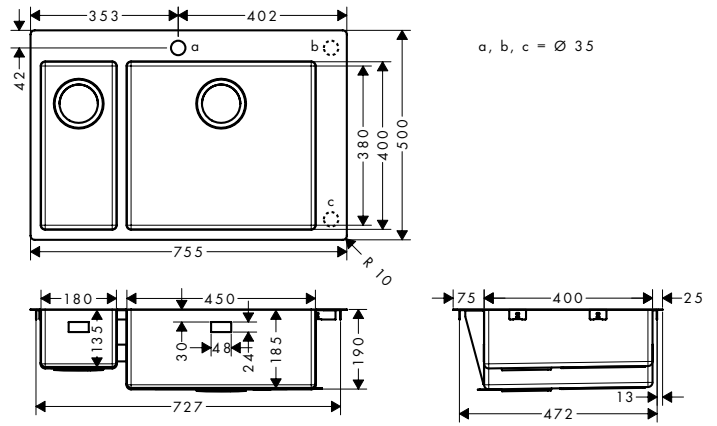


F16 Cutting board oak  
# 40961000





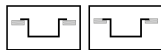
**S71**  
S711-F655 Built-in sink 180/450  
# 43309, -800



**Base unit**

**80 cm**

**Installation type**



**Required accessory**

D15-10 Manual waste and overflow set  
for double bowl  
# 43922800

**Features**

- material: stainless steel
- number of bowls: 1 main bowl and 1 additional bowl
- predrilled tap hole
- sink depth: 190 mm
- cut-out dimensions: 735 x 480 mm
- cabinet size: 80 cm
- type of installation: flat on the countertop (self-rimming) or flush-mount installation
- position overflow: on the right side of the main bowl
- tap ledge reinforcing for a tight and stable seating of the kitchen mixer
- corner radius: 10 mm

**Additional products**



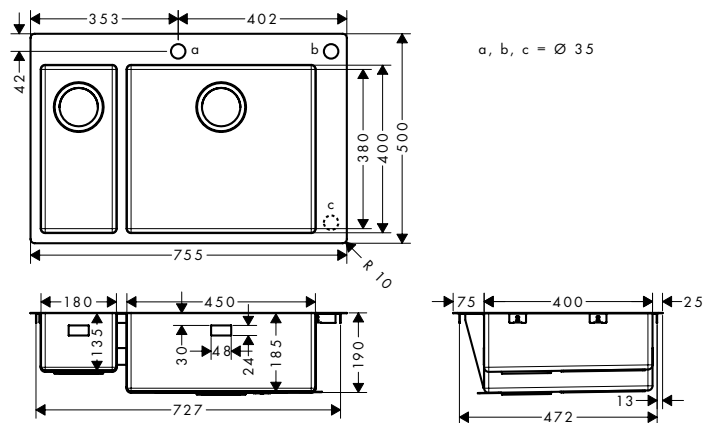
F14 Multifunctional  
strainer  
# 40963000



F15 Cutting board walnut  
# 40960000



**S71**  
S712-F655 Built-in sink 180/450  
# 43310, -800



**Base unit**

**80 cm**

**Installation type**



**Required accessory**

D15-11 Automatic waste and overflow set  
for double bowl  
# 43932800

**Features**

- material: stainless steel
- number of bowls: 1 main bowl and 1 additional bowl
- tap hole and hole for pop-up waste control are pre-drilled
- sink depth: 190 mm
- cut-out dimensions: 735 x 480 mm
- cabinet size: 80 cm
- type of installation: flat on the countertop (self-rimming) or flush-mount installation
- position overflow: on the right side of the main bowl
- tap ledge reinforcing for a tight and stable seating of the kitchen mixer
- corner radius: 10 mm

**Additional products**



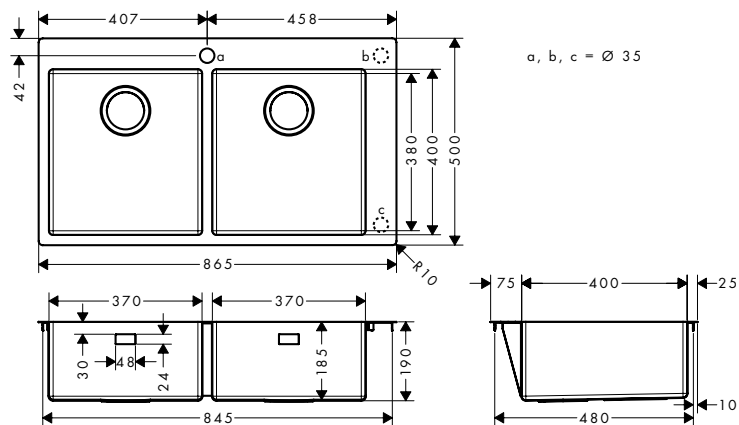
F14 Multifunctional  
strainer  
# 40963000



F17 Mobile drainboard  
# 40962000



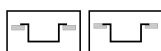
**S71**  
S711-F765 Built-in sink 370/370  
# 43303, -800



**Base unit**

**90 cm**

**Installation type**



**Required accessory**

D15-10 Manual waste and overflow set  
for double bowl  
# 43922800

**Features**

- material: stainless steel
- number of bowls: 2 main bowls
- predrilled tap hole
- sink depth: 190 mm
- cut-out dimensions: 845 x 480 mm
- cabinet size: 90 cm
- type of installation: flat on the countertop (self-rimming) or flush-mount installation
- tap ledge reinforcing for a tight and stable seating of the kitchen mixer
- corner radius: 10 mm

**Additional products**



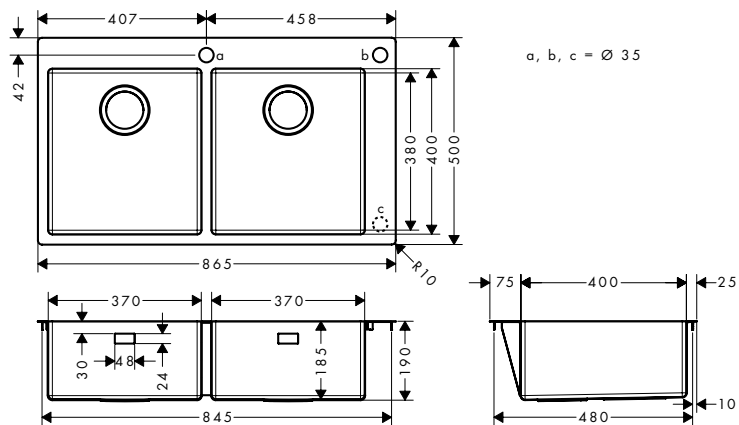
F17 Mobile drainboard  
# 40963000



F16 Cutting board oak  
# 40961000



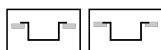
**S71**  
S712-F765 Built-in sink 370/370  
# 43311, -800



**Base unit**

**90 cm**

**Installation type**



**Required accessory**

D15-11 Automatic waste and overflow set  
for double bowl  
# 43932800

**Features**

- material: stainless steel
- number of bowls: 2 main bowls
- tap hole and hole for pop-up waste control are pre-drilled
- sink depth: 190 mm
- cut-out dimensions: 845 x 480 mm
- cabinet size: 90 cm
- type of installation: flat on the countertop (self-rimming) or flush-mount installation
- tap ledge reinforcing for a tight and stable seating of the kitchen mixer
- corner radius: 10 mm

**Additional products**



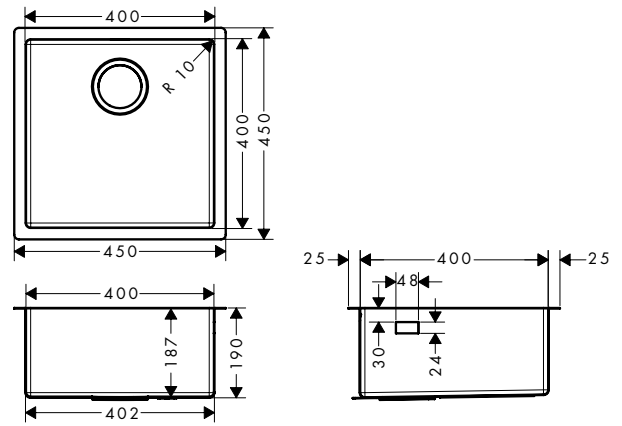
F14 Multifunctional strainer  
# 40963000



F17 Mobile drainboard  
# 40962000



**S71**  
S719-U400 Under-mount sink 400  
# 43425, -800



**Base unit**

**50 cm**

**Installation type**



**Required accessory**

- D14-10 Manual waste and overflow set for single bowl  
# 43921800
- D14-11 Automatic waste and overflow set for single bowl  
# 43931800
- D14-12 Automatic waste and overflow set for single bowl Select  
# 43941800

**Features**

- material: stainless steel
- number of bowls: 1 main bowl
- sink depth: 190 mm
- cut-out dimensions: 398 x 398 mm
- cabinet size: 50 cm
- type of installation: undermount
- position overflow: on the right side of the bowl
- corner radius: 10 mm
- waste set not included – please order one waste set from the optional parts

**Additional products**



F14 Multifunctional strainer  
# 40963000

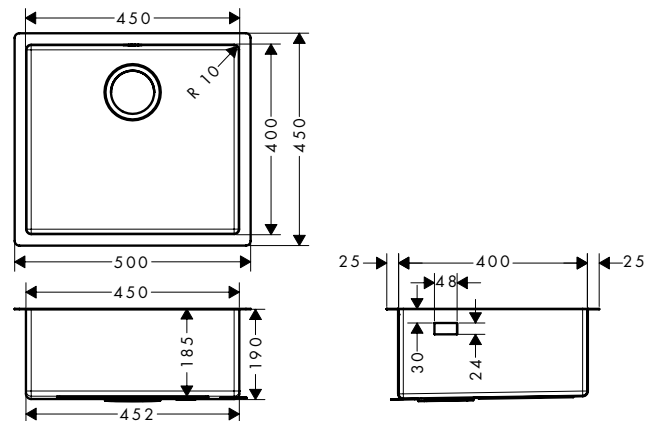


F15 Cutting board walnut  
# 40960000

For a perfect fit, we recommend that you check the cut-out dimensions of the sink and the dimensions of the supplementary products, depending on the type of installation.



**S71**  
S719-U450 Under-mount sink 450  
# 43426, -800



**Base unit**

**60 cm**

**Installation type**



**Required accessory**

- D14-10 Manual waste and overflow set for single bowl  
# 43921800
- D14-11 Automatic waste and overflow set for single bowl  
# 43931800
- D14-12 Automatic waste and overflow set for single bowl Select  
# 43941800

**Features**

- material: stainless steel
- number of bowls: 1 main bowl
- sink depth: 190 mm
- cut-out dimensions: 448 x 398 mm
- cabinet size: 60 cm
- type of installation: undermount
- position overflow: on the right side of the bowl
- corner radius: 10 mm
- waste set not included – please order one waste set from the optional parts

**Additional products**



F17 Mobile drainboard  
# 40962000

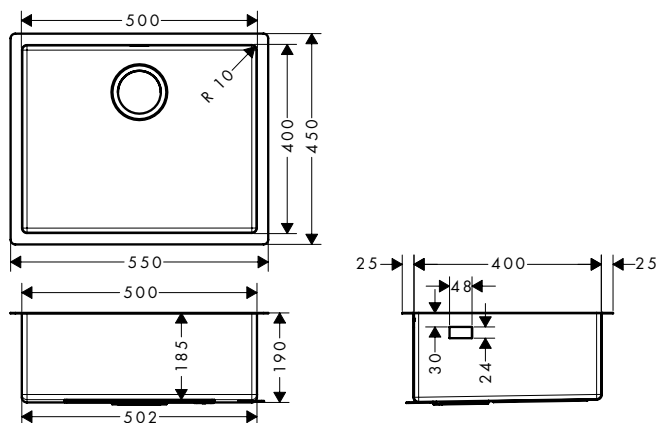


F16 Cutting board oak  
# 40961000

For a perfect fit, we recommend that you check the cut-out dimensions of the sink and the dimensions of the supplementary products, depending on the type of installation.



**S71**  
S719-U500 Under-mount sink 500  
# 43427, -800



**Base unit**

**60 cm**

**Installation type**



**Required accessory**

- D14-10 Manual waste and overflow set for single bowl  
# 43921800
- D14-11 Automatic waste and overflow set for single bowl  
# 43931800
- D14-12 Automatic waste and overflow set for single bowl Select  
# 43941800

**Features**

- please note, when installing in a 60 cm sink cabinet the side panel must be cut out
- material: stainless steel
- number of bowls: 1 main bowl
- sink depth: 190 mm
- cut-out dimensions: 498 x 398 mm
- cabinet size: 60 cm
- type of installation: undermount
- position overflow: on the right side of the bowl
- corner radius: 10 mm
- waste set not included – please order one waste set from the optional parts

**Additional products**



F14 Multifunctional strainer  
# 40963000

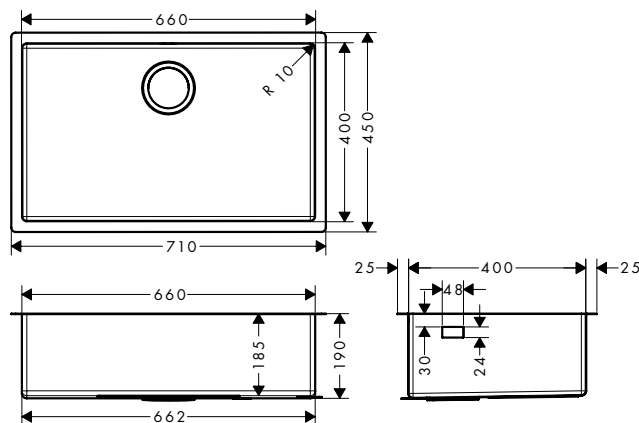


F15 Cutting board walnut  
# 40960000

For a perfect fit, we recommend that you check the cut-out dimensions of the sink and the dimensions of the supplementary products, depending on the type of installation.



**S71**  
S719-U660 Under-mount sink 660  
# 43428, -800



**Base unit**

**80 cm**

**Installation type**



**Required accessory**

- D14-10 Manual waste and overflow set for single bowl  
# 43921800
- D14-11 Automatic waste and overflow set for single bowl  
# 43931800
- D14-12 Automatic waste and overflow set for single bowl Select  
# 43941800

**Features**

- material: stainless steel
- number of bowls: 1 main bowl
- sink depth: 190 mm
- cut-out dimensions: 658 x 398 mm
- cabinet size: 80 cm
- type of installation: undermount
- position overflow: on the right side of the bowl
- corner radius: 10 mm
- waste set not included – please order one waste set from the optional parts

**Additional products**



F17 Mobile drainboard  
# 40962000

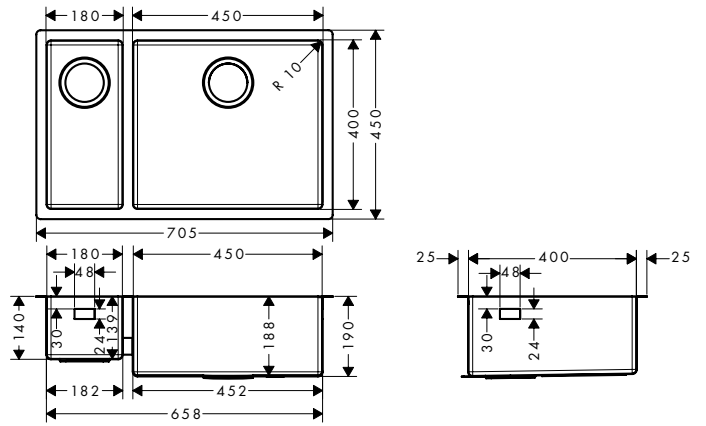


F16 Cutting board oak  
# 40961000

For a perfect fit, we recommend that you check the cut-out dimensions of the sink and the dimensions of the supplementary products, depending on the type of installation.



**S71**  
S719-U655 Under-mount sink 180/450  
# 43429, -800



**Base unit**

**80 cm**

**Installation type**



**Required accessory**

- D15-10 Manual waste and overflow set for double bowl  
# 43922800
- D15-11 Automatic waste and overflow set for double bowl  
# 43932800
- D14-12 Automatic waste and overflow set for single bowl Select  
# 43942800

**Features**

- material: stainless steel
- number of bowls: 1 main bowl and 1 additional bowl
- sink depth: 190 mm
- cut-out dimensions: 653 x 398 mm
- cabinet size: 80 cm
- type of installation: undermount
- position overflow: on the right side of the main bowl
- corner radius: 10 mm
- waste set not included – please order one waste set from the optional parts

**Additional products**



F14 Multifunctional strainer  
# 40963000

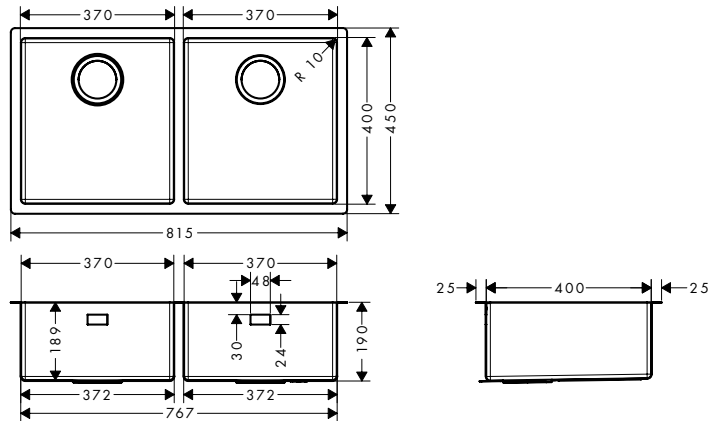


F15 Cutting board walnut  
# 40960000

For a perfect fit, we recommend that you check the cut-out dimensions of the sink and the dimensions of the supplementary products, depending on the type of installation.



**S71**  
S719-U765 Under-mount sink 370/370  
# 43430, -800



**Base unit**

**90 cm**

**Installation type**



**Required accessory**

- D15-10 Manual waste and overflow set for double bowl  
# 43922800
- D15-11 Automatic waste and overflow set for double bowl  
# 43932800
- D14-12 Automatic waste and overflow set for single bowl Select  
# 43942800

**Features**

- material: stainless steel
- number of bowls: 2 main bowls
- sink depth: 190 mm
- cut-out dimensions: 763 x 398 mm
- cabinet size: 90 cm
- type of installation: undermount
- corner radius: 10 mm
- waste set not included – please order one waste set from the optional parts

**Additional products**



F17 Mobile drainboard  
# 40962000



F16 Cutting board oak  
# 40961000

For a perfect fit, we recommend that you check the cut-out dimensions of the sink and the dimensions of the supplementary products, depending on the type of installation.

# STAINLESS STEEL S41

---

Flawless workmanship, countless installation options



S41

# Why choose a hansgrohe sink?



**Low maintenance:**

The organic, rounded design ensures quick and easy cleaning and avoids dirt collecting around the edges.



**Stable:**

All sinks are equipped with a reinforcement bracket for stable tap fixture, so there's no more sink shaking.



**Convenient:**

Thanks to the spacious basins for standard base units it's easier to handle larger items when working in the kitchen. Integrated sound-absorbing matting ensures quiet water use.



**Flexible:**

Thanks to the reversible installation of the sinks with draining boards and a selection of sink sizes, they suit a wide variety of installation scenarios. The S41 can be surface-mounted or flush-mounted.



**Heat-resistant:**

Stainless steel is unaffected by extreme temperature changes and is completely rustproof.

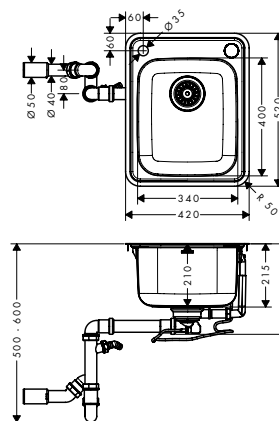


**Easy installation:**

Fastening clamps for clamping ranges 28–40 mm, as well as the waste and overflow set, are included in the delivery.



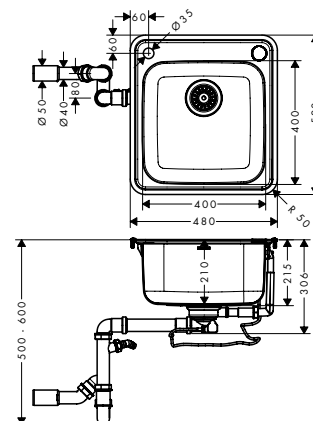
**S41**  
S412-F340 Built-in sink 340/400  
# 43334, -800

**Base unit****45 cm****Installation type****Features**

- Automatic waste set included
- material: stainless steel
- number of bowls: 1 main bowl
- tap hole and hole for pop-up waste control are pre-drilled
- cut-out dimensions: 410 x 510 mm
- cabinet size: 45 cm
- type of installation: flat on the countertop (self-rimming) or flush-mount installation
- position overflow: on the side of the bowl
- tap ledge reinforcing for a tight and stable seating of the kitchen mixer
- corner radius: 70 mm



**S41**  
S412-F400 Built-in sink 400/400  
# 43335, -800

**Base unit****50 cm****Installation type****Features**

- Automatic waste set included
- material: stainless steel
- number of bowls: 1 main bowl
- tap hole and hole for pop-up waste control are pre-drilled
- cut-out dimensions: 470 x 510 mm
- cabinet size: 50 cm
- type of installation: flat on the countertop (self-rimming) or flush-mount installation
- position overflow: on the side of the bowl
- tap ledge reinforcing for a tight and stable seating of the kitchen mixer
- corner radius: 70 mm





**S41**  
S412-F500 Built-in sink 500/400  
# 43336, -800



#### Base unit

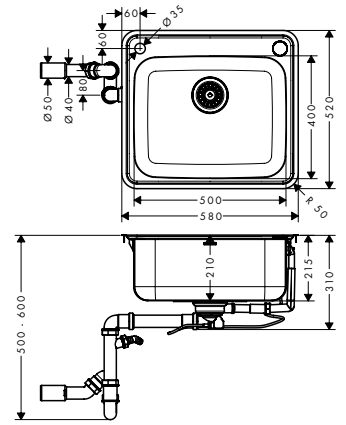
**60 cm**

#### Installation type



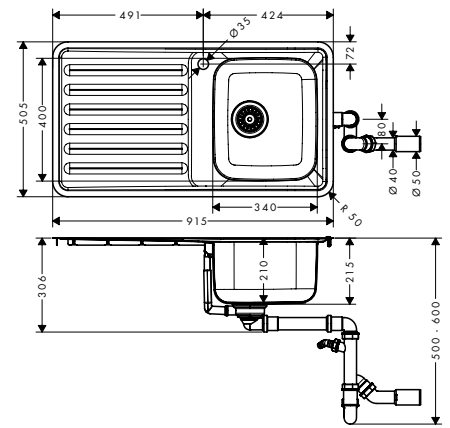
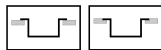
#### Features

- Automatic waste set included
- material: stainless steel
- number of bowls: 1 main bowl
- tap hole and hole for pop-up waste control are pre-drilled
- cut-out dimensions: 570 x 510 mm
- cabinet size: 60 cm
- type of installation: flat on the countertop (self-rimming) or flush-mount installation
- position overflow: on the side of the bowl
- tap ledge reinforcing for a tight and stable seating of the kitchen mixer
- corner radius: 70 mm





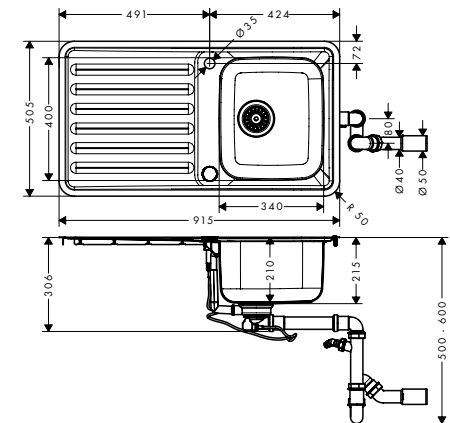
**S41**  
S4111-F340 Built-in sink 340/400 with drainboard  
# 43340, -800

**Base unit****45 cm****Installation type****Features**

- Manual waste set included
- material: stainless steel
- number of bowls: 1 main bowl
- with drainage
- tap hole for drilling is predefined (see scale drawing)
- orientation: reversible
- cut-out dimensions: 895 x 485 mm
- cabinet size: 45 cm
- type of installation: flat on the countertop (self-rimming) or flush-mount installation
- position overflow: on the side of the bowl under drainboard
- tap ledge reinforcing for a tight and stable seating of the kitchen mixer
- corner radius: 70 mm



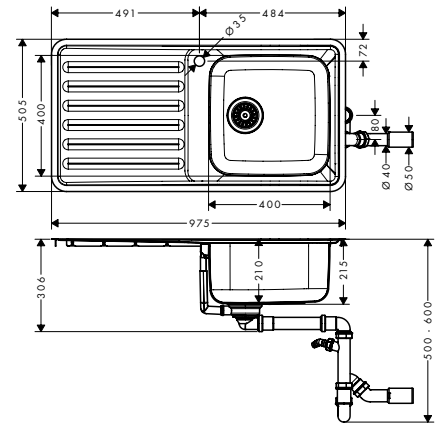
**S41**  
S4113-F340 Built-in sink 340/400 with drainboard  
# 43337, -800

**Base unit****45 cm****Installation type****Features**

- Automatic waste set included
- material: stainless steel
- number of bowls: 1 main bowl
- with drainage
- tap hole and hole for pop-up waste control are pre-drilled
- orientation: reversible
- cut-out dimensions: 895 x 485 mm
- cabinet size: 45 cm
- type of installation: flat on the countertop (self-rimming) or flush-mount installation
- position overflow: on the side of the bowl under drainboard
- tap ledge reinforcing for a tight and stable seating of the kitchen mixer
- corner radius: 70 mm



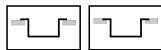
**S41**  
S4111-F400 Built-in sink 400/400 with drainboard  
# 43341, -800



**Base unit**

**50 cm**

**Installation type**

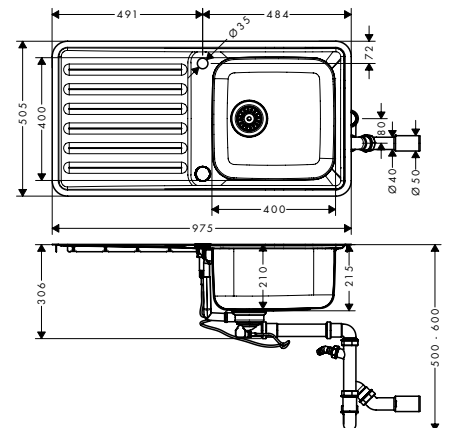


**Features**

- Manual waste set included
- material: stainless steel
- number of bowls: 1 main bowl
- with drainage
- tap hole for drilling is predefined (see scale drawing)
- orientation: reversible
- cut-out dimensions: 955 x 485 mm
- cabinet size: 50 cm
- type of installation: flat on the countertop (self-rimming) or flush-mount installation
- position overflow: on the side of the bowl under drainboard
- tap ledge reinforcing for a tight and stable seating of the kitchen mixer
- corner radius: 70 mm



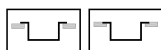
**S41**  
S4113-F400 Built-in sink 400/400 with drainboard  
# 43338, -800



**Base unit**

**50 cm**

**Installation type**



**Features**

- Automatic waste set included
- material: stainless steel
- number of bowls: 1 main bowl
- with drainage
- tap hole and hole for pop-up waste control are pre-drilled
- orientation: reversible
- cut-out dimensions: 955 x 485 mm
- cabinet size: 50 cm
- type of installation: flat on the countertop (self-rimming) or flush-mount installation
- position overflow: on the side of the bowl under drainboard
- tap ledge reinforcing for a tight and stable seating of the kitchen mixer
- corner radius: 70 mm



**S41**  
S4111-F540 Built-in sink 340/150/400  
with drainboard  
# 43342, -800



**Base unit**

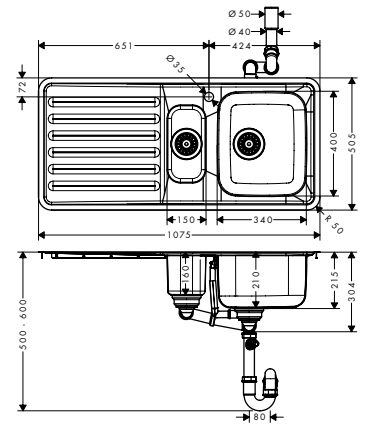
**60 cm**

**Installation type**



**Features**

- Manual waste set included
- material: stainless steel
- number of bowls: 1 main bowl and 1 additional bowl
- with drainage
- tap hole for drilling is predefined (see scale drawing)
- orientation: reversible
- cut-out dimensions: 1055 x 485 mm
- cabinet size: 60 cm
- type of installation: flat on the countertop (self-rimming) or flush-mount installation
- position overflow: on the side of the bowl under drainboard
- tap ledge reinforcing for a tight and stable seating of the kitchen mixer
- corner radius: 70 mm



**S41**  
S4113-F540 Built-in sink 340/150/400  
with drainboard  
# 43339, -800



**Base unit**

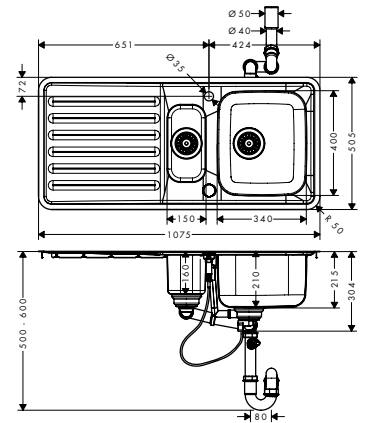
**60 cm**

**Installation type**



**Features**

- Automatic waste set included
- material: stainless steel
- number of bowls: 1 main bowl and 1 additional bowl
- with drainage
- tap hole and hole for pop-up waste control are pre-drilled
- orientation: reversible
- cut-out dimensions: 1055 x 485 mm
- cabinet size: 60 cm
- type of installation: flat on the countertop (self-rimming) or flush-mount installation
- position overflow: on the side of the bowl under drainboard
- tap ledge reinforcing for a tight and stable seating of the kitchen mixer
- corner radius: 70 mm



# SILICATEC S51

---

Natural design, endless choice



S51

# Why choose a hansgrohe SilicaTec sink?



### A natural fit:

Whether in -170 graphite black, -290 stone grey or -380 concrete grey, the quality of the material is obvious and the look natural. The smooth surface of the sinks ensures that stubborn dirt deposits have no place to hide.



### Sturdy:

SilicaTec, made from quartz particles with rounded edges, is highly durable. It's resistant to impact, cracks and scratches, and is unaffected by heat. The sink also repels UV radiation, ensuring that colour tones don't fade but stay true over time.



### Lotus effect:

The lotus effect allows water to drain off almost residue-free. The quality of the surface also prevents food stains and other discoloration.



### Food-safe:

The pore-free SilicaTec surface prevents bacteria penetrating or odours lingering, for a more hygienic kitchen environment.



### Installation options:

SilicaTec S51 sinks are available in surface-mounted and undermounted installation. A variety of sink sizes ensures maximum flexibility.

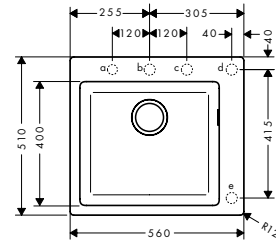


### Easy installation:

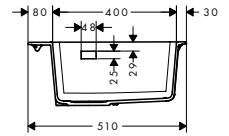
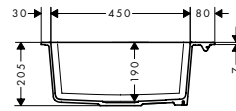
Fastening clamps for a clamping range of 28–40 mm are included in the delivery. The required accessories (waste and overflow set) must be ordered separately, depending on the kitchen tap selected. A diamond drill bit to drill through the predefined holes is also included.



**S51**  
S510-F450 Built-in sink 450  
# 43312, -170, -290, -380



a, b, c, d, e =  $\varnothing$  35



**Base unit**

**60 cm**

**Installation type**



**Required accessory**

D16-10 Manual waste and overflow set for single bowl granite  
# 43927000

D16-11 Automatic waste and overflow set for single bowl granite  
# 43937000

D16-12 Automatic waste and overflow set for single bowl granite Select  
# 43947000

**Features**

- material: SilicaTec
- number of bowls: 1 main bowl
- tap hole for drilling is predefined (see scale drawing)
- sink depth: 190 mm
- cut-out dimensions: 540 x 490 mm
- cabinet size: 60 cm
- type of installation: topmount
- position overflow: on the right side of the bowl

**Additional products**



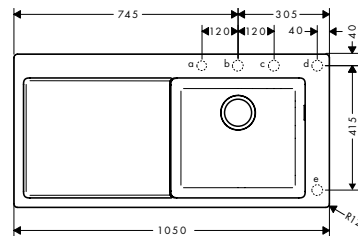
F17 Mobile drainboard  
# 40962000



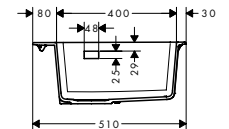
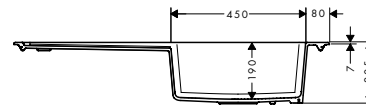
F15 Cutting board walnut  
# 40960000



**S51**  
S514-F450 Built-in sink 450 with drainboard left  
# 43314, -170, -290, -380  
S5110-F450 Built-in sink 450 with drainboard right  
# 43330, -170, -290, -380 (not shown)



a, b, c, d, e =  $\varnothing$  35



**Base unit**

**60 cm**

**Installation type**



**Required accessory**

D16-10 Manual waste and overflow set for single bowl granite  
# 43927000

D16-11 Automatic waste and overflow set for single bowl granite  
# 43937000

D16-12 Automatic waste and overflow set for single bowl granite Select  
# 43947000

**Features**

- for installation in worktops from 20 mm
- material: SilicaTec
- number of bowls: 1 main bowl
- with drainage
- tap hole for drilling is predefined (see scale drawing)
- orientation: bowl left
- sink depth: 190 mm
- cut-out dimensions: 1030 x 490 mm
- cabinet size: 60 cm
- type of installation: topmount
- position overflow: on the left side of the bowl

**Additional products**



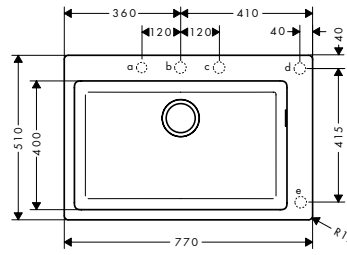
F14 Multifunctional strainer  
# 40963000



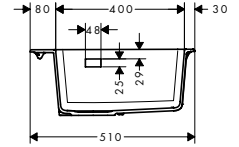
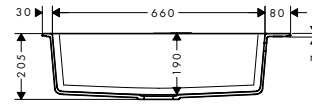
F16 Cutting board oak  
# 40961000



**S51**  
S510-F660 Built-in sink 660  
# 43313, -170, -290, -380



a, b, c, d, e = Ø 35



**Base unit**

**80 cm**

**Installation type**



**Required accessory**

D16-10 Manual waste and overflow set for single bowl granite  
# 43927000

D16-11 Automatic waste and overflow set for single bowl granite  
# 43937000

D16-12 Automatic waste and overflow set for single bowl granite Select  
# 43947000

**Features**

- material: SilicaTec
- number of bowls: 1 main bowl
- tap hole for drilling is predefined (see scale drawing)
- sink depth: 190 mm
- cut-out dimensions: 750 x 490 mm
- cabinet size: 80 cm
- type of installation: topmount
- position overflow: on the right side of the bowl

**Additional products**



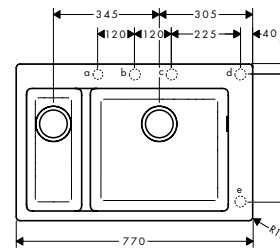
F17 Mobile drainboard  
# 40962000



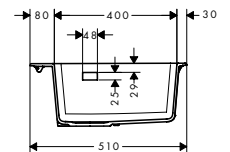
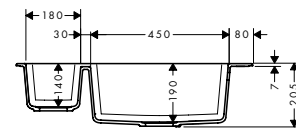
F16 Cutting board oak  
# 40961000



**S51**  
S510-F635 Built-in sink 180/450  
# 43315, -170, -290, -380



a, b, c, d, e = Ø 35



**Base unit**

**80 cm**

**Installation type**



**Required accessory**

D17-10 Manual waste and overflow set for double bowl granite  
# 43928000

D17-11 Automatic waste and overflow set for double bowl granite  
# 43938000

D17-12 Automatic waste and overflow set for double bowl granite Select  
# 43948000

**Features**

- material: SilicaTec
- number of bowls: 1 main bowl and 1 additional bowl
- tap hole for drilling is predefined (see scale drawing)
- sink depth: 190 mm
- cut-out dimensions: 750 x 490 mm
- cabinet size: 80 cm
- type of installation: topmount
- position overflow: on the right side of the main bowl

**Additional products**

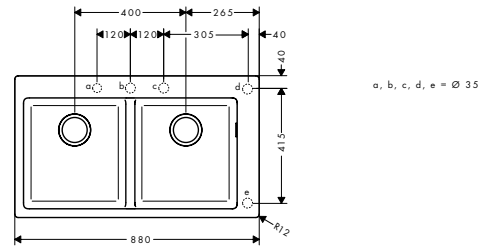


F14 Multifunctional strainer  
# 40963000

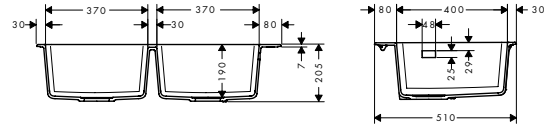


F17 Mobile drainboard  
# 40962000





a, b, c, d, e = Ø 35



**S51**  
S510-F770 Built-in sink 370/370  
# 43316, -170, -290, -380



**Base unit**

**90 cm**

**Installation type**



**Required accessory**

- D17-10 Manual waste and overflow set for double bowl granite # 43928000
- D17-11 Automatic waste and overflow set for double bowl granite # 43938000
- D17-12 Automatic waste and overflow set for double bowl granite Select # 43948000

**Features**

- material: SilicaTec
- number of bowls: 2 main bowls
- tap hole for drilling is predefined (see scale drawing)
- sink depth: 190 mm
- cut-out dimensions: 860 x 490 mm
- cabinet size: 90 cm
- type of installation: topmount
- position overflow: on the right side of the bowl

**Additional products**



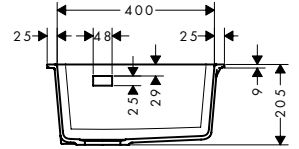
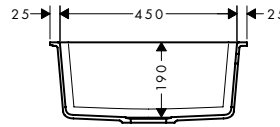
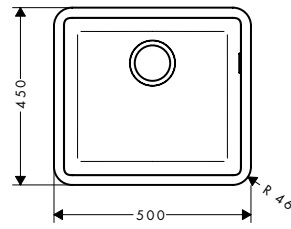
F14 Multifunctional strainer  
# 40963000



F15 Cutting board walnut  
# 40960000



**S51**  
S510-U450 Under-mount sink 450  
# 43431, -170, -290, -380



**Base unit**

**60 cm**

**Installation type**



**Features**

- material: SilicaTec
- number of bowls: 1 main bowl
- sink depth: 190 mm
- cut-out dimensions: 448 x 398 mm
- cabinet size: 60 cm
- type of installation: undermount
- position overflow: on the right side of the bowl

**Additional products**



F14 Multifunctional strainer  
# 40963000



F15 Cutting board walnut  
# 40960000

**Required accessory**

D16-10 Manual waste and overflow set for single bowl granite  
# 43927000

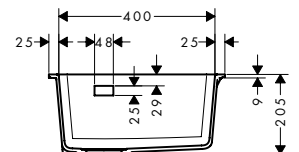
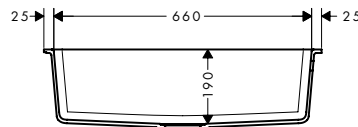
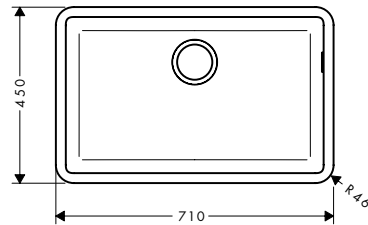
D16-11 Automatic waste and overflow set for single bowl granite  
# 43937000

D16-12 Automatic waste and overflow set for single bowl granite Select  
# 43947000

For a perfect fit, we recommend that you check the cut-out dimensions of the sink and the dimensions of the supplementary products, depending on the type of installation.



**S51**  
S510-U660 Under-mount sink 660  
# 43432, -170, -290, -380



**Base unit**

**80 cm**

**Installation type**



**Features**

- material: SilicaTec
- number of bowls: 1 main bowl
- sink depth: 190 mm
- cut-out dimensions: 658 x 398 mm
- cabinet size: 80 cm
- type of installation: undermount
- position overflow: on the right side of the bowl

**Additional products**



F17 Mobile drainboard  
# 40962000



F16 Cutting board oak  
# 40961000

**Required accessory**

D16-10 Manual waste and overflow set for single bowl granite  
# 43927000

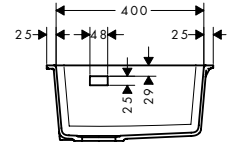
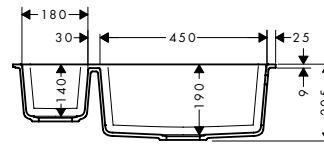
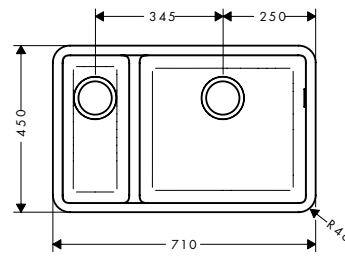
D16-11 Automatic waste and overflow set for single bowl granite  
# 43937000

D16-12 Automatic waste and overflow set for single bowl granite Select  
# 43947000

For a perfect fit, we recommend that you check the cut-out dimensions of the sink and the dimensions of the supplementary products, depending on the type of installation.



**S51**  
S510-U635 Under-mount sink 180/450  
# 43433, -170, -290, -380



**Base unit**

**80 cm**

**Installation type**



**Required accessory**

D17-10 Manual waste and overflow set for double bowl granite  
# 43928000

D17-11 Automatic waste and overflow set for double bowl granite  
# 43938000

D17-12 Automatic waste and overflow set for double bowl granite Select  
# 43948000

**Features**

- material: SilicaTec
- number of bowls: 1 main bowl and 1 additional bowl
- sink depth: 190 mm
- cut-out dimensions: 658 x 398 mm
- cabinet size: 80 cm
- type of installation: undermount
- position overflow: on the right side of the main bowl

**Additional products**



F14 Multifunctional strainer  
# 40963000

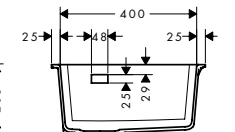
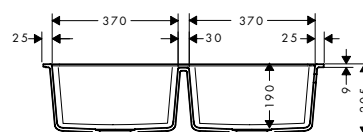
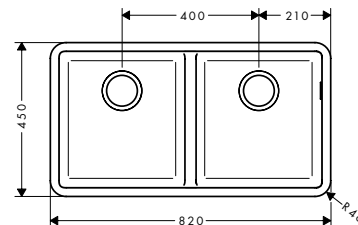


F15 Cutting board walnut  
# 40960000

For a perfect fit, we recommend that you check the cut-out dimensions of the sink and the dimensions of the supplementary products, depending on the type of installation.



**S51**  
S510-U770 Under-mount sink 370/370  
# 43434, -170, -290, -380



**Base unit**

**90 cm**

**Installation type**



**Required accessory**

D17-10 Manual waste and overflow set for double bowl granite  
# 43928000

D17-11 Automatic waste and overflow set for double bowl granite  
# 43938000

D17-12 Automatic waste and overflow set for double bowl granite Select  
# 43948000

**Features**

- material: SilicaTec
- number of bowls: 2 main bowls
- sink depth: 190 mm
- cut-out dimensions: 768 x 398 mm
- cabinet size: 90 cm
- type of installation: undermount
- position overflow: on the right side of the bowl

**Additional products**



F17 Mobile drainboard  
# 40962000



F16 Cutting board oak  
# 40961000

For a perfect fit, we recommend that you check the cut-out dimensions of the sink and the dimensions of the supplementary products, depending on the type of installation.





# Kitchen taps overview

		Logis M32	Logis M31		
					
Variants	Standard with sBox				
	Standard without sBox	71285, -000	71832, -000 71830, -000	71835, -000 71280, -000	71806, -000, -800 71808, -000, -800
	Eco with sBox <b>NEW</b>		71860, -000	71861, -000	
	Eco without sBox <b>NEW</b>	71283, -000			
	Installation in front of window		71833, -000		71807, -000
	Low pressure/open water heater		71831, -000		71804, -000
	With appliance shut-off valve		71834, -000		71813, -000
	CoolStart		71839, -000 71837, -000		71805, -000 71864, -000 71809, -000 71866, -000
	Wall mounting	71286, -000 71287, -000 71284, -000	71836, -000		
Features	Select				
	Change jet types				
	With pull-out function				
	With swivel spout	■	■	■	■

For the entire range, turn to

from page 144

from page 138

		Focus M41	Talis M54		
					
Variants	Standard with sBox	73880, -000, -800	72809, -000, -670, -800		
	Standard without sBox	31815, -000, -670, -800	72840, -000, -670, -800	72808, -000, -670, -800	72806, -000, -670, -800
	Eco with sBox <b>NEW</b>	73895, -000			
	Eco without sBox <b>NEW</b>	31833, -000		72845, -000, -670	72844, -000, -670
	Installation in front of window				
	Low pressure/open water heater				
	With appliance shut-off valve				
	CoolStart				
Wall mounting					
Features	Select				
	Change jet types	■			
	With pull-out function	■		■	
	With swivel spout	■	■	■	■

For the entire range, turn to

from page 121

from page 114

**Focus M42**

**Focus M41**



71829, -000, -800

71820, -000, -800  
71821, -000, -800

71814, -000, -800

71802, -000, -800

71800, -000, -800  
71801, -000, -800  
71862, -000

31806, -000, -800  
31780, -000

31820, -000, -670, -800

31817, -000, -670, -800

31826, -000

31821, -000, -800

31827, -000

31804, -000  
31784, -000

31822, -000

31803, -000

31823, -000

31816, -000

31825, -000

71803, -000

from page 129

from page 121

**Talis M54**

**Talis M52**



72804, -000, -670, -800

72803, -000, -670, -800

72801, -000, -670, -800

72802, -000, -670, -800

72800, -000, -670, -800

72842, -000, -670

32851, -000

73860, -000, -800

32841, -000

14870, -000

73869, -000

32857, -000

32845, -000

32842, -000



14875, -000

72843, -000, -670

from page 114

from page 108


# Kitchen taps overview

		<b>Talis M52</b>		<b>Talis M51</b>	
					
Variants	Standard with sBox	73864, -000, -800	73863, -000, -800	73851, -000, -800 73850, -000, -800	73851, -000, -800 73850, -000, -800
	Standard without sBox	14872, -000	14877, -000	72810, -000, -800 72814, -000, -800	72813, -000, -800 72815, -000, -800
	Eco with sBox <b>NEW</b>	73878, -000	73879, -000	73876, -000	
	Eco without sBox <b>NEW</b>	72832, -000	72831, -000	72816, -000	72817, -000
	Installation in front of window	73864, -000 14872, -000	73863, -000 14877, -000		
	Low pressure/open water heater			72812, -000	
	With appliance shut-off valve			72811, -000	
	CoolStart Wall mounting				
Features	Select				
	Change jet types			■	
	With pull-out function	■	■	■	
	With swivel spout	■	■	■	■

For the entire range, turn to

from page 108

from page 103

		<b>Metris Select M71</b>			
					
Variants	Standard with sBox	73803, -000, -800 73802, -000, -800	73816, -000, -800 73817, -000, -800	73804, -000, -800	
	Standard without sBox	14883, -000, -800 14847, -000, -800	14884, -000, -800 14857, -000, -800	73820, -000, -800 73822, -000, -800	
	Eco with sBox <b>NEW</b>	73807, -000		73825, -000	
	Eco without sBox <b>NEW</b>	14785, -000	14786, -000		
	Installation in front of window				
	Low pressure/open water heater				
	With appliance shut-off valve				
	CoolStart Wall mounting				
Features	Select	■	■	■	■
	Change jet types			■	
	With pull-out function			■	
	With swivel spout	■	■	■	■

For the entire range, turn to

from page 84

**Talis Select M51**

**Metris M71**

	73853, -000, -800 73852, -000, -800	73867, -000, -800 73868, -000, -800		73812, -000, -800	73801, -000, -800 73800, -000, -800
72820, -000, -800	72821, -000, -800 72822, -000, -800	72823, -000, -800 72824, -000, -800	14822, -000, -800	14821, -000, -800	14820, -000, -800 14834, -000, -800
				73828, -000	73824, -000 73823, -000
72825, -000	72826, -000		14782, -000	14781, -000	14780, -000
			14823, -000		
			14888, -000		
■	■	■			■
	■	■		■	■
■	■	■	■	■	■

from page 98

from page 92

**Aquino Select M81**

73818, -000, -340, -670, -800	73806, -000, -800 73805, -000, -800	73830, -000, -670, -800	73831, -000, -670, -800
73819, -000, -800		73836, -000, -670, -800	73837, -000, -670, -800
	73827, -000 73826, -000		
■	■	■	■
■	■	■	■
■	■	■	■
■	■	■	■

from page 82

Kitchen taps

# Why choose a hansgrohe tap?



#### Surface finishes selection:

Choose from a range of colours, with select kitchen taps available in exclusive -340 brushed black chrome and -670 matt black, in addition to -000 chrome and -800 stainless steel finish.



#### sBox:

With extendible kitchen taps and sink combi units the sBox ensures that the hose can be pulled out and stowed away safely and easily. The 52 cm-tall box fits into all standard base units from 74 cm upwards. Alternatively, products can also be purchased without the sBox.



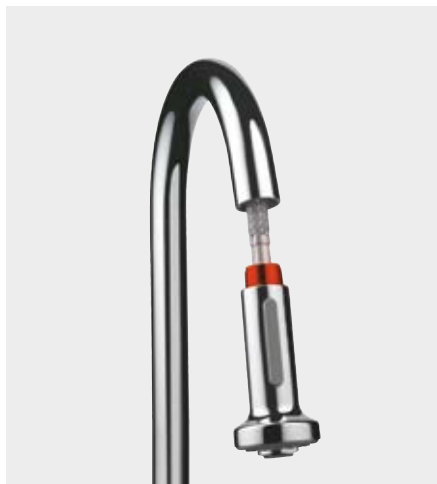
#### Tilt function for installation in front of a window:

Ideal for installation in front of a window. Simply lift and tilt the kitchen tap whenever necessary.



#### Ceramic cartridge with Boltic handle lock:

Thanks to specially hardened discs, the ceramic cartridges ensure a long service life for the kitchen tap. The Boltic handle lock guarantees sturdy operation.



#### MagFit magnetic bracket:

The MagFit feature enables the hose to slide back almost silently and attach itself back in the centre of the tap spout.



#### Easy installation:

Flexible connections and the integrated stabilisation plate simplifies the installation of the kitchen tap and ensures a secure connection. The connected PEX hoses are temperature resistant and taste and odour neutral. An aerator key is also included in the delivery.



# AQUNO SELECT M81

---

The future of intelligent kitchen workflow



**NEW**



**Aquino Select M81**

Single lever kitchen mixer 250, pull-out spout, 2jet, sBox # 73830, -000, -670, -800

Single lever kitchen mixer 250, pull-out spout, 2jet # 73836, -000, -670, -800



**Features**

- additional comment: change between SatinFlow and pull-out spout at the touch of a button
- consists of: single lever kitchen mixer, hose box, multifunctional colander
- ComfortZone 250
- swivel range adjustable in 3 steps 60°, 110° or 150°
- laminar spray, SatinFlow
- MagFit magnetic shower support
- quick connect hose
- connection dimension: DN15
- ceramic cartridge
- connection type: G 3/8 connections
- integrated non-return valve
- not suitable for continuous flow water heaters

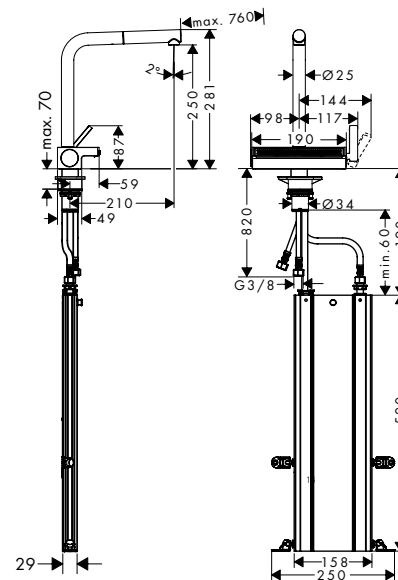
**Additional products**



A41 Soap-/lotion dispenser # 40438, -000, -800



- sBox for quiet, smooth and protected hose guidance in the cabinet, under the countertop, with extension length up to 76 cm
- tap hole with Ø 35 mm required



**NEW**



**Aquino Select M81**

Single lever kitchen mixer 170, pull-out spray, 3jet, sBox # 73831, -000, -670, -800

Single lever kitchen mixer 170, pull-out spray, 3jet # 73837, -000, -670, -800



**Features**

- additional comment: change between SatinFlow and pull-out spray at the touch of a button
- consists of: single lever kitchen mixer, hose box, multifunctional colander
- ComfortZone 170
- swivel range adjustable in 3 steps 60°, 110° or 150°
- laminar spray and shower spray, SatinFlow
- lockable shower spray, spray returns through pressing spray diverter
- MagFit magnetic shower support
- quick connect hose
- connection dimension: DN15
- flow rate 8 l/min
- ceramic cartridge
- connection type: G 3/8 connections

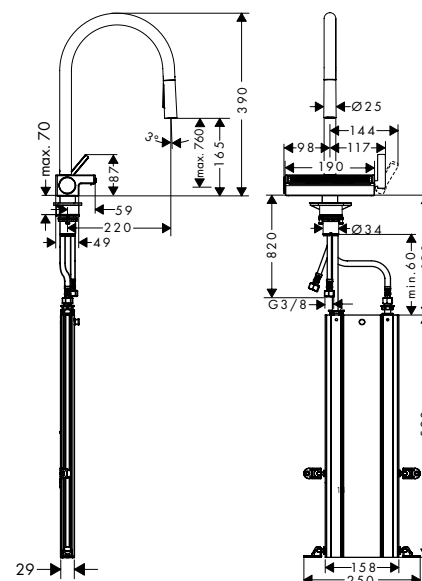
**Additional products**



A41 Soap-/lotion dispenser # 40438, -000, -800



- integrated non-return valve
- not suitable for continuous flow water heaters
- sBox for quiet, smooth and protected hose guidance in the cabinet, under the countertop, with extension length up to 76 cm
- tap hole with Ø 35 mm required



# METRIS M71

---

Kitchen taps redefined

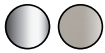




**Metris Select M71**

2-hole single lever kitchen mixer 320, pull-out spray, 2jet, sBox # 73806, -000, -800

2-hole single lever kitchen mixer 320, Eco, pull-out spray, 2jet, sBox # 73827, -000 (not shown)



**Features**

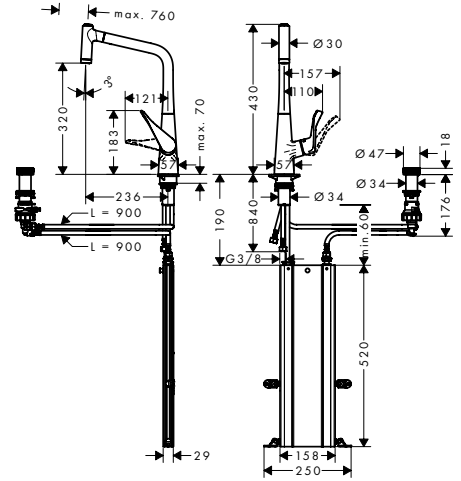
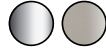
- consists of: 2-hole single lever kitchen mixer, control unit, hose box
- ComfortZone 320
- swivel range adjustable in 2 steps to 110° or 150°
- flexible position of faucet controls, 2 tap holes with Ø 35 mm required
- push of control unit: intuitive start and stop function of the water flow, turn: automatic drain operation
- laminar spray and shower spray
- lockable shower spray, spray returns automatically through handle closing
- MagFit magnetic shower support
- connection dimension: DN15
- flow rate 7 l/min
- ceramic cartridge

- connection type: G 3/8 connections
- integrated non-return valve
- suitable for continuous flow water heaters
- sBox for quiet, smooth and protected hose guidance in the cabinet, under the countertop, with extension length up to 76 cm

**Additional products**



A71 Soap-/lotion dispenser # 40468, -000, -800



**Features**

- consists of: 2-hole single lever kitchen mixer, control unit, hose box
- ComfortZone 220
- swivel range adjustable in 2 steps to 110° or 150°
- flexible position of faucet controls, 2 tap holes with Ø 35 mm required
- push of control unit: intuitive start and stop function of the water flow, turn: automatic drain operation
- laminar spray and shower spray
- lockable shower spray, spray returns automatically through handle closing
- MagFit magnetic shower support
- connection dimension: DN15
- flow rate 7 l/min
- ceramic cartridge

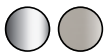
- connection type: G 3/8 connections
- integrated non-return valve
- suitable for continuous flow water heaters
- sBox for quiet, smooth and protected hose guidance in the cabinet, under the countertop, with extension length up to 76 cm



**Metris Select M71**

2-hole single lever kitchen mixer 220, pull-out spray, 2jet, sBox # 73805, -000, -800

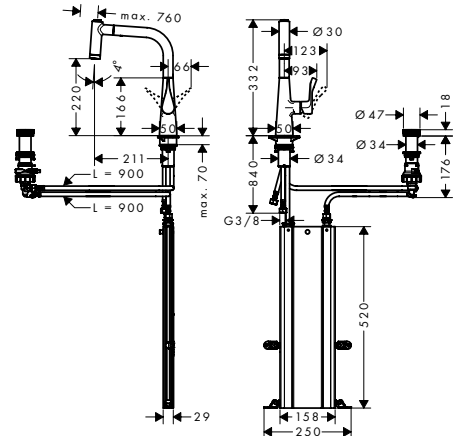
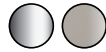
2-hole single lever kitchen mixer 220, Eco, pull-out spray, 2jet, sBox # 73826, -000 (not shown)



**Additional products**



A71 Soap-/lotion dispenser # 40468, -000, -800



**NEW**



**Metris Select M71**

2-hole single lever kitchen mixer 200, pull-out spray, 2jet, sBox # 73818, -000, -340, -670, -800



**Features**

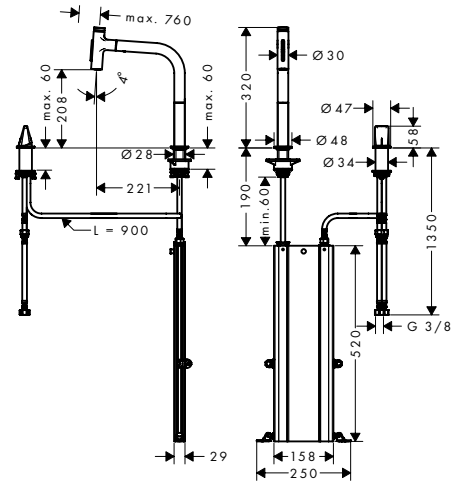
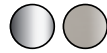
- consists of: 2-hole single lever kitchen mixer, control unit, hose box
- ComfortZone 200
- swivel range adjustable in 2 steps to 110° or 150°
- flexible position of faucet controls, 2 tap holes with Ø 35 mm required
- laminar spray and shower spray
- lockable shower spray, spray returns through pressing spray diverter and spray returns automatically through handle closing
- Select button for a comfortable start/stop of the water flow
- MagFit magnetic shower support
- quick connect hose
- connection dimension: DN15

- flow rate 8 l/min
- ceramic cartridge
- connection type: G 3/8 connections
- integrated non-return valve
- suitable for continuous flow water heaters
- sBox for quiet, smooth and protected hose guidance in the cabinet, under the countertop, with extension length up to 76 cm

**Additional products**



A41 Soap-/lotion dispenser # 40438, -000, -800



**NEW**



**Metris Select M71**

2-hole single lever kitchen mixer 200, pull-out spray, 2jet # 73819, -000, -800



**Features**

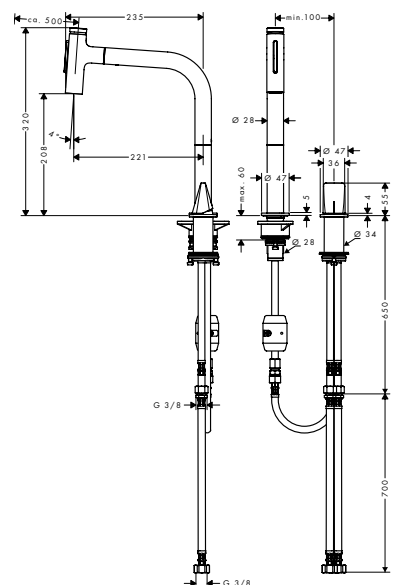
- ComfortZone 200
- swivel range adjustable in 2 steps to 110° or 150°
- flexible position of faucet controls, 2 tap holes with Ø 35 mm required
- laminar spray and shower spray
- lockable shower spray, spray returns through pressing spray diverter and spray returns automatically through handle closing
- Select button for a comfortable start/stop of the water flow
- MagFit magnetic shower support
- quick connect hose
- connection dimension: DN15
- flow rate 8 l/min
- ceramic cartridge

- connection type: G 3/8 connections
- integrated non-return valve
- suitable for continuous flow water heaters

**Additional products**



A41 Soap-/lotion dispenser # 40438, -000, -800

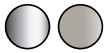




**Metris Select M71**

2-hole single lever kitchen mixer 200, pull-out spout, 1jet, sBox # 73804, -000, -800

2-hole single lever kitchen mixer 200, Eco, pull-out spout, 1jet, sBox # 73825, -000 (not shown)



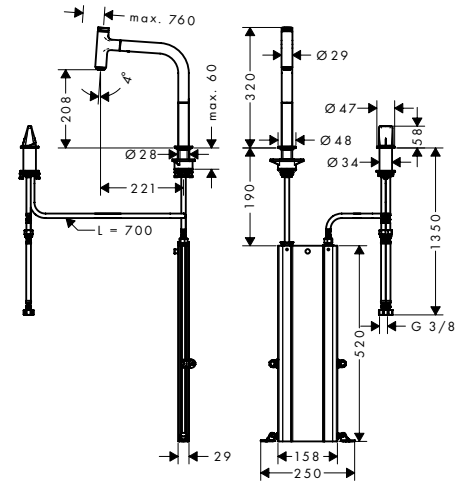
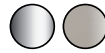
**Features**

- consists of: 2-hole single lever kitchen mixer, control unit, hose box
- ComfortZone 200
- swivel range adjustable in 2 steps to 110° or 150°
- flexible position of faucet controls, 2 tap holes with Ø 35 mm required
- normal spray
- Select button for a comfortable start/stop of the water flow
- MagFit magnetic shower support
- quick connect hose
- connection dimension: DN15
- flow rate 8 l/min
- ceramic cartridge
- connection type: G 3/8 connections
- integrated non-return valve
- suitable for continuous flow water heaters
- sBox for quiet, smooth and protected hose guidance in the cabinet, under the countertop, with extension length up to 76 cm

**Additional products**



A71 Soap-/lotion dispenser # 40468, -000, -800





**NEW**

**Metris Select M71**

Single lever kitchen mixer 320, pull-out spray, 2jet, sBox # 73816, -000, -800



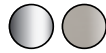
**Features**

- consists of: single lever kitchen mixer, hose box
- ComfortZone 320
- swivel range adjustable in 2 steps to 110° or 150°
- laminar spray and shower spray
- lockable shower spray, spray returns through pressing spray diverter and spray returns automatically through handle closing
- Select button for a comfortable start/stop of the water flow
- MagFit magnetic shower support
- connection dimension: DN15
- flow rate 8 l/min
- ceramic cartridge
- connection type: G 3/8 connections
- integrated non-return valve

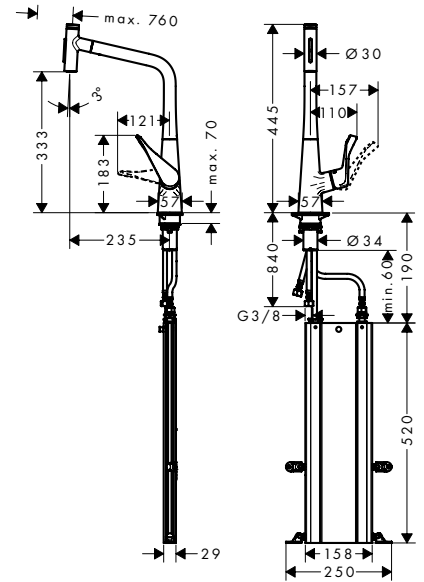
**Additional products**



A71 Soap-/lotion dispenser # 40468, -000, -800



- suitable for continuous flow water heaters
- sBox for quiet, smooth and protected hose guidance in the cabinet, under the countertop, with extension length up to 76 cm
- tap hole with Ø 35 mm required



**NEW**

**Metris Select M71**

Single lever kitchen mixer 320, pull-out spray, 2jet # 73820, -000, -800



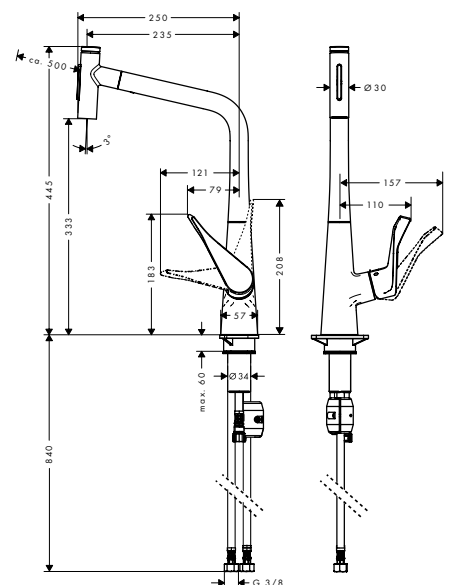
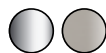
**Features**

- ComfortZone 320
- swivel range adjustable in 2 steps to 110° or 150°
- laminar spray and shower spray
- lockable shower spray, spray returns through pressing spray diverter and spray returns automatically through handle closing
- Select button for a comfortable start/stop of the water flow
- MagFit magnetic shower support
- connection dimension: DN15
- flow rate 8 l/min
- ceramic cartridge
- connection type: G 3/8 connections
- integrated non-return valve
- suitable for continuous flow water heaters

**Additional products**



A71 Soap-/lotion dispenser # 40468, -000, -800





**Metris Select M71**

Single lever kitchen mixer 320, pull-out spout, ljet, sBox # 73803, -000, -800

Single lever kitchen mixer 320, Eco, pull-out spout, ljet, sBox # 73807, -000 (not shown)



**Features**

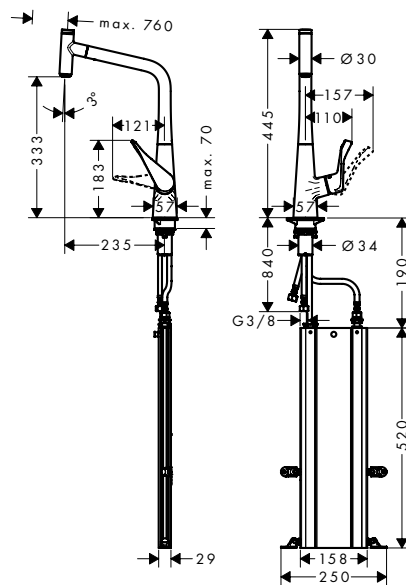
- consists of: single lever kitchen mixer, hose box
- ComfortZone 320
- swivel range adjustable in 2 steps to 110° or 150°
- laminar spray
- Select button for a comfortable start/stop of the water flow
- MagFit magnetic shower support
- quick connect hose
- connection dimension: DN15
- flow rate 8 l/min
- ceramic cartridge
- connection type: G 3/8 connections
- integrated non-return valve
- suitable for continuous flow water heaters

- sBox for quiet, smooth and protected hose guidance in the cabinet, under the countertop, with extension length up to 76 cm
- significantly reduced splashing by soft start of the water flow

**Additional products**



A71 Soap-/lotion dispenser # 40468, -000, -800



**Metris Select M71**

Single lever kitchen mixer 320, pull-out spout, ljet # 14884, -000, -800

Single lever kitchen mixer 320, Eco, pull-out spout, ljet # 14786, -000 (not shown)



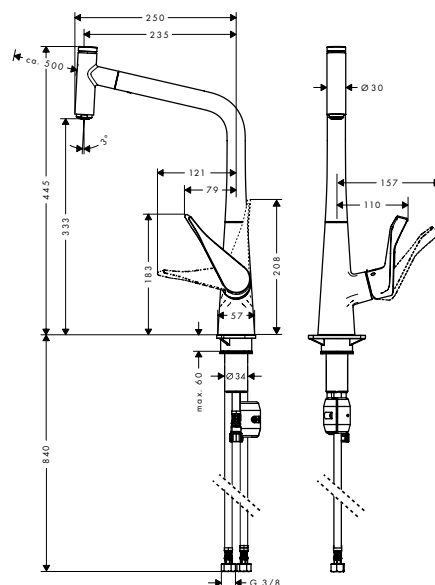
**Features**

- ComfortZone 320
- swivel range adjustable in 2 steps to 110° or 150°
- laminar spray
- Select button for a comfortable start/stop of the water flow
- MagFit magnetic shower support
- connection dimension: DN15
- flow rate 8 l/min
- ceramic cartridge
- connection type: G 3/8 connections
- integrated non-return valve
- suitable for continuous flow water heaters
- significantly reduced splashing by soft start of the water flow

**Additional products**



A71 Soap-/lotion dispenser # 40468, -000, -800





**NEW**



**Metris Select M71**

Single lever kitchen mixer 240, pull-out spray, 2jet, sBox # 73817, -000, -800



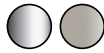
**Features**

- consists of: single lever kitchen mixer, hose box
- ComfortZone 240
- l-spout
- swivel range adjustable in 2 steps to 110° or 150°
- laminar spray and shower spray
- lockable shower spray, spray returns through pressing spray diverter and spray returns automatically through handle closing
- Select button for a comfortable start/stop of the water flow
- MagFit magnetic shower support
- connection dimension: DN15
- flow rate 8 l/min
- ceramic cartridge
- connection type: G 3/8 connections

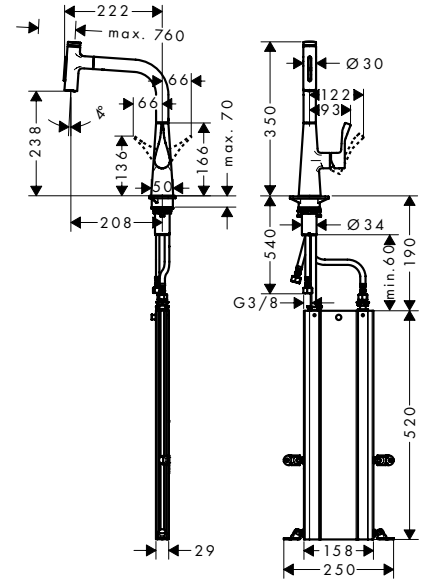
**Additional products**



A71 Soap-/lotion dispenser # 40468, -000, -800



- integrated non-return valve
- suitable for continuous flow water heaters
- sBox for quiet, smooth and protected hose guidance in the cabinet, under the countertop, with extension length up to 76 cm



**NEW**



**Metris Select M71**

Single lever kitchen mixer 240, pull-out spray, 2jet # 73822, -000, -800



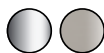
**Features**

- ComfortZone 240
- l-spout
- swivel range adjustable in 2 steps to 110° or 150°
- laminar spray and shower spray
- lockable shower spray, spray returns through pressing spray diverter and spray returns automatically through handle closing
- Select button for a comfortable start/stop of the water flow
- MagFit magnetic shower support
- connection dimension: DN15
- flow rate 10 l/min
- ceramic cartridge
- connection type: G 3/8 connections

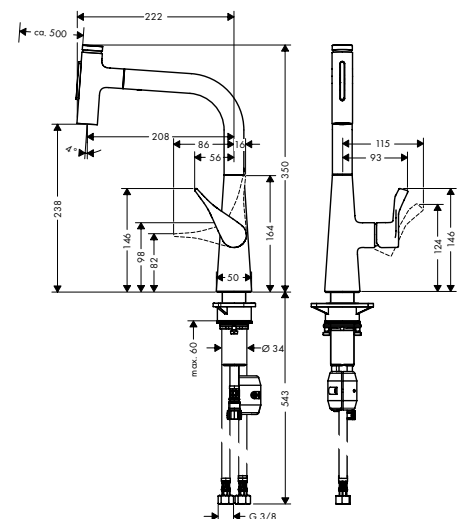
**Additional products**



A71 Soap-/lotion dispenser # 40468, -000, -800



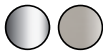
- integrated non-return valve
- suitable for continuous flow water heaters





**Metris Select M71**

Single lever kitchen mixer 240,  
pull-out spout, ljet, sBox  
# 73802, -000, -800



**Features**

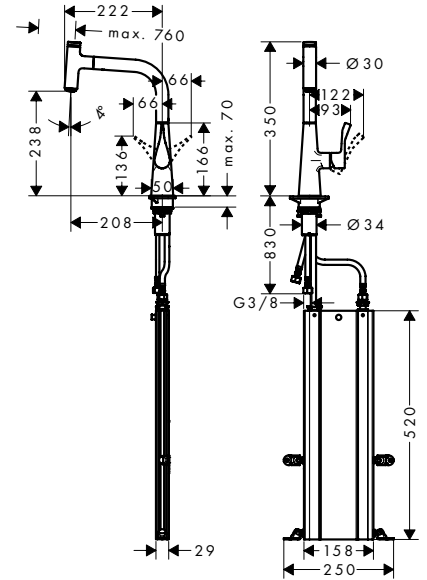
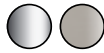
- consists of: single lever kitchen mixer, hose box
- ComfortZone 240
- swivel range adjustable in 2 steps to 110° or 150°
- laminar spray
- Select button for a comfortable start/stop of the water flow
- MagFit magnetic shower support
- connection dimension: DN15
- flow rate 8 l/min
- ceramic cartridge
- connection type: G 3/8 connections
- integrated non-return valve
- suitable for continuous flow water heaters

- sBox for quiet, smooth and protected hose guidance in the cabinet, under the countertop, with extension length up to 76 cm
- significantly reduced splashing by soft start of the water flow

**Additional products**



A71 Soap-/lotion dispenser  
# 40468, -000, -800



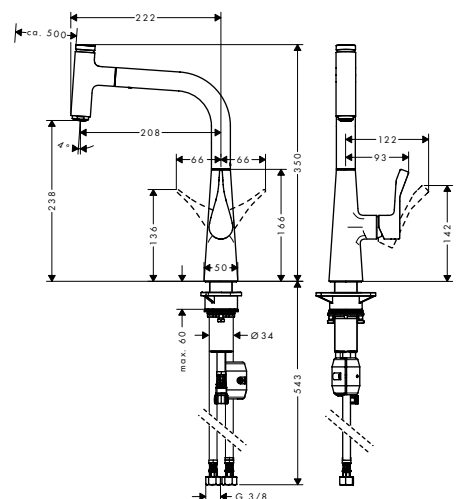
**Metris Select M71**

Single lever kitchen mixer 240,  
pull-out spout, ljet  
# 14857, -000, -800



**Features**

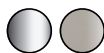
- ComfortZone 240
- swivel range adjustable in 2 steps to 110° or 150°
- laminar spray
- Select button for a comfortable start/stop of the water flow
- MagFit magnetic shower support
- connection dimension: DN15
- flow rate 8 l/min
- ceramic cartridge
- connection type: G 3/8 connections
- integrated non-return valve
- suitable for continuous flow water heaters
- significantly reduced splashing by soft start of the water flow



**Additional products**



A71 Soap-/lotion dispenser  
# 40468, -000, -800





**Features**

- ComfortZone 320
- swivel range adjustable in 3 steps 110°, 150° or 360°
- laminar spray
- Select button for a comfortable start/stop of the water flow
- connection dimension: DN15
- flow rate 8 l/min
- ceramic cartridge
- connection type: G 3/8 connections
- integrated non-return valve
- suitable for continuous flow water heaters
- significantly reduced splashing by soft start of the water flow

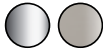
**Metris Select M71**

Single lever kitchen mixer 320, 1jet

# 14883, -000, -800

Single lever kitchen mixer 320, Eco, 1jet

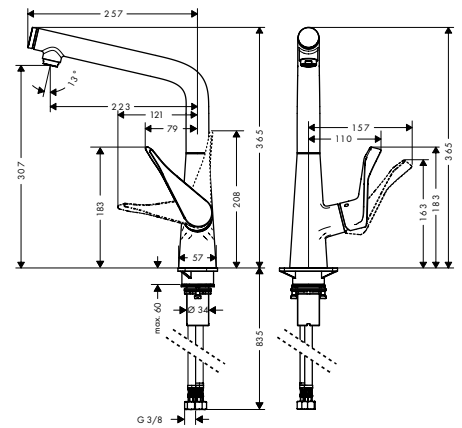
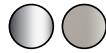
# 14785, -000 (not shown)



**Additional products**



A71 Soap-/lotion dispenser  
# 40468, -000, -800



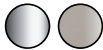
**Features**

- ComfortZone 260
- swivel range adjustable in 3 steps 110°, 150° or 360°
- laminar spray
- Select button for a comfortable start/stop of the water flow
- connection dimension: DN15
- flow rate 10 l/min
- ceramic cartridge
- connection type: G 3/8 connections
- integrated non-return valve
- suitable for continuous flow water heaters
- significantly reduced splashing by soft start of the water flow

**Metris Select M71**

Single lever kitchen mixer 260, 1jet

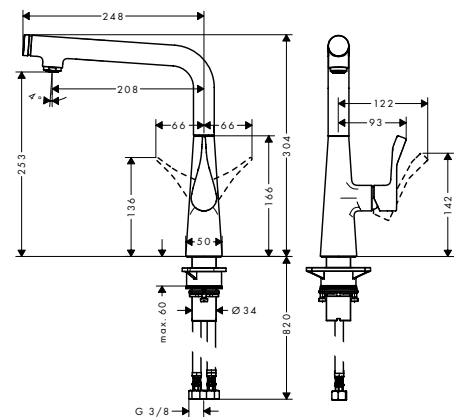
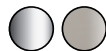
# 14847, -000, -800



**Additional products**



A71 Soap-/lotion dispenser  
# 40468, -000, -800

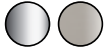




**Metris M71**

Single lever kitchen mixer 320,  
pull-out spray, 2jet, sBox  
# 73801, -000, -800

Single lever kitchen mixer 320, Eco,  
pull-out spray, 2jet, sBox  
# 73824, -000 (not shown)



**Features**

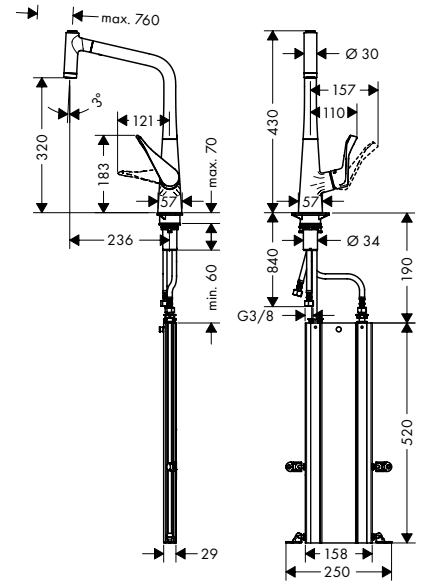
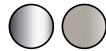
- consists of: single lever kitchen mixer, hose box
- ComfortZone 320
- swivel range adjustable in 2 steps to 110° or 150°
- laminar spray and shower spray
- lockable shower spray, spray returns automatically through handle closing
- MagFit magnetic shower support
- connection dimension: DN15
- flow rate 8 l/min
- ceramic cartridge
- connection type: G 3/8 connections
- integrated non-return valve
- suitable for continuous flow water heaters

- sBox for quiet, smooth and protected hose guidance in the cabinet, under the countertop, with extension length up to 76 cm

**Additional products**



A71 Soap-/lotion dispenser  
# 40468, -000, -800



**Metris M71**

Single lever kitchen mixer 320,  
pull-out spray, 2jet  
# 14820, -000, -800

Single lever kitchen mixer 320, Eco,  
pull-out spray, 2jet  
# 14780, -000 (not shown)



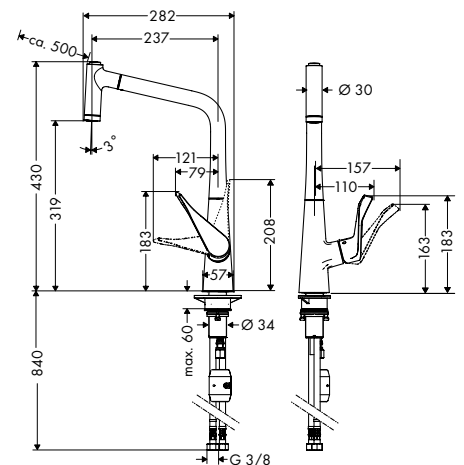
**Features**

- ComfortZone 320
- swivel range adjustable in 2 steps to 110° or 150°
- laminar spray and shower spray
- lockable shower spray, spray returns automatically through handle closing
- MagFit magnetic shower support
- quick connect hose
- connection dimension: DN15
- flow rate 10 l/min
- ceramic cartridge
- connection type: G 3/8 connections
- integrated non-return valve
- suitable for continuous flow water heaters

**Additional products**



A71 Soap-/lotion dispenser  
# 40468, -000, -800





**Metris M71**

Single lever kitchen mixer 220,  
pull-out spray, 2jet, sBox  
# 73800, -000, -800

Single lever kitchen mixer 220, Eco,  
pull-out spray, 2jet, sBox  
# 73823, -000 (not shown)



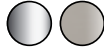
**Features**

- consists of: single lever kitchen mixer, hose box
- ComfortZone 220
- swivel range adjustable in 2 steps to 110° or 150°
- laminar spray and shower spray
- lockable shower spray, spray returns automatically through handle closing
- MagFit magnetic shower support
- connection dimension: DN15
- flow rate 8 l/min
- ceramic cartridge
- connection type: G 3/8 connections
- integrated non-return valve
- suitable for continuous flow water heaters

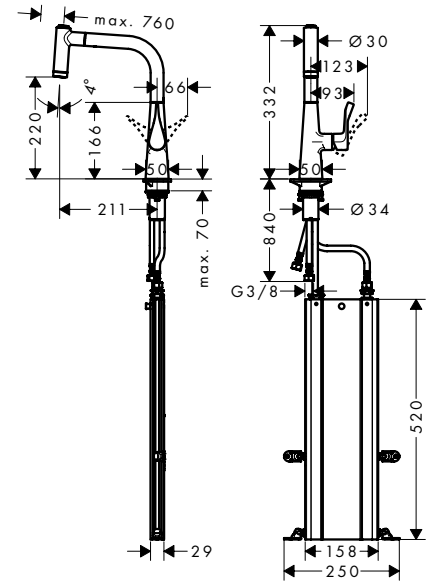
**Additional products**



A71 Soap-/lotion dispenser  
# 40468, -000, -800



- sBox for quiet, smooth and protected hose guidance in the cabinet, under the countertop, with extension length up to 76 cm



**Metris M71**

Single lever kitchen mixer 220,  
pull-out spray, 2jet  
# 14834, -000, -800



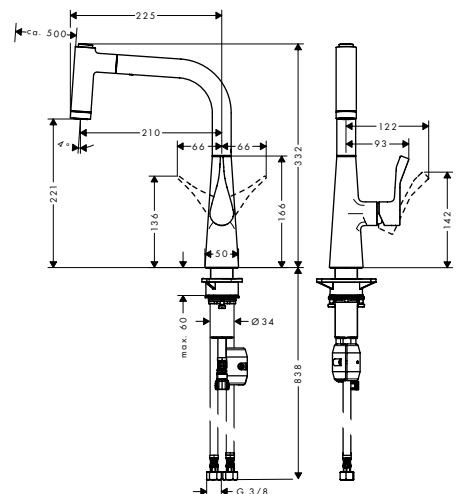
**Features**

- ComfortZone 220
- swivel range adjustable in 2 steps to 110° or 150°
- laminar spray and shower spray
- lockable shower spray, spray returns automatically through handle closing
- MagFit magnetic shower support
- quick connect hose
- connection dimension: DN15
- flow rate 9 l/min
- ceramic cartridge
- connection type: G 3/8 connections
- integrated non-return valve
- suitable for continuous flow water heaters

**Additional products**



A71 Soap-/lotion dispenser  
# 40468, -000, -800

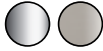




**Metris M71**

Single lever kitchen mixer 320,  
pull-out spout, ljet, sBox  
# 73812, -000, -800

Single lever kitchen mixer 320, Eco,  
pull-out spout, ljet, sBox  
# 73828, -000 (not shown)



**Features**

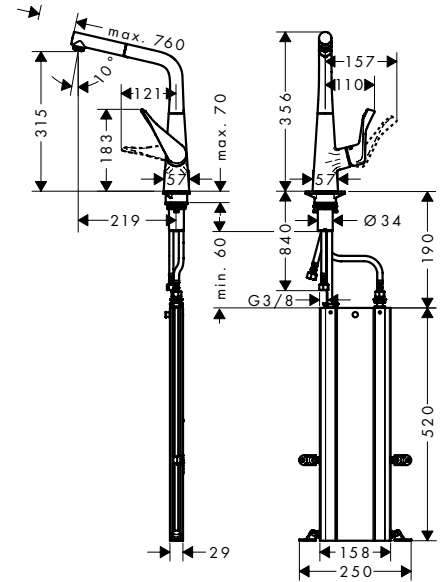
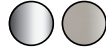
- consists of: single lever kitchen mixer, hose box
- ComfortZone 320
- swivel range adjustable in 2 steps to 110° or 150°
- laminar spray
- MagFit magnetic shower support
- connection dimension: DN15
- flow rate 10 l/min
- ceramic cartridge
- connection type: G 3/8 connections
- integrated non-return valve
- suitable for continuous flow water heaters
- sBox for quiet, smooth and protected hose guidance in the cabinet, under the countertop, with extension length up to 76 cm

- significantly reduced splashing by soft start of the water flow

**Additional products**



A71 Soap-/lotion dispenser  
# 40468, -000, -800



**Metris M71**

Single lever kitchen mixer 320,  
pull-out spout, ljet  
# 14821, -000, -800

Single lever kitchen mixer 320, Eco,  
pull-out spout, ljet  
# 14781, -000 (not shown)



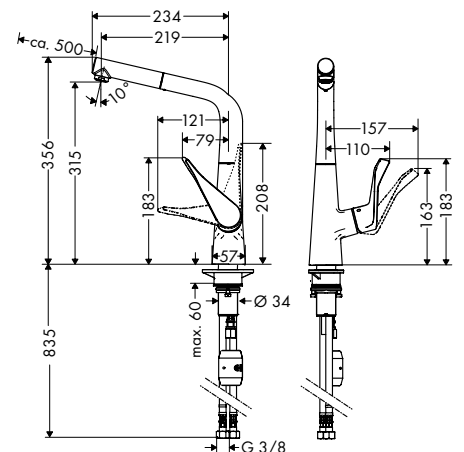
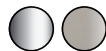
**Features**

- ComfortZone 320
- swivel range adjustable in 2 steps to 110° or 150°
- laminar spray
- MagFit magnetic shower support
- quick connect hose
- connection dimension: DN15
- flow rate 10 l/min
- ceramic cartridge
- connection type: G 3/8 connections
- integrated non-return valve
- suitable for continuous flow water heaters
- significantly reduced splashing by soft start of the water flow

**Additional products**



A71 Soap-/lotion dispenser  
# 40468, -000, -800





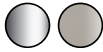
**Metris M71**

Single lever kitchen mixer 320, 1jet

# 14822, -000, -800

Single lever kitchen mixer 320, Eco, 1jet

# 14782, -000 (not shown)



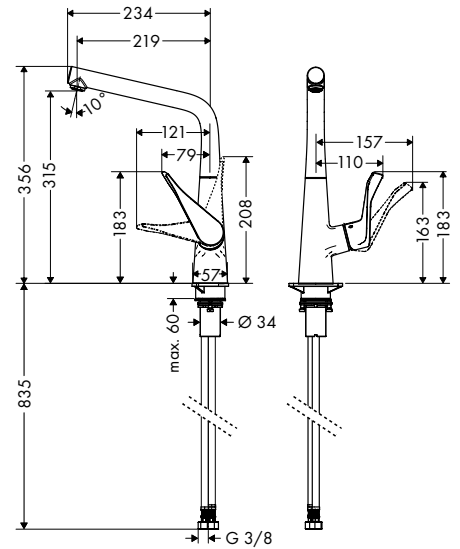
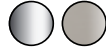
**Features**

- ComfortZone 320
- swivel range adjustable in 3 steps 110°, 150° or 360°
- laminar spray
- connection dimension: DN15
- flow rate 13 l/min
- ceramic cartridge
- connection type: G 3/8 connections
- suitable for continuous flow water heaters
- significantly reduced splashing by soft start of the water flow

**Additional products**



A71 Soap-/lotion dispenser  
# 40468, -000, -800



**Metris M71**

Single lever kitchen mixer 320, installation in front of a window, 1jet

# 14823, -000



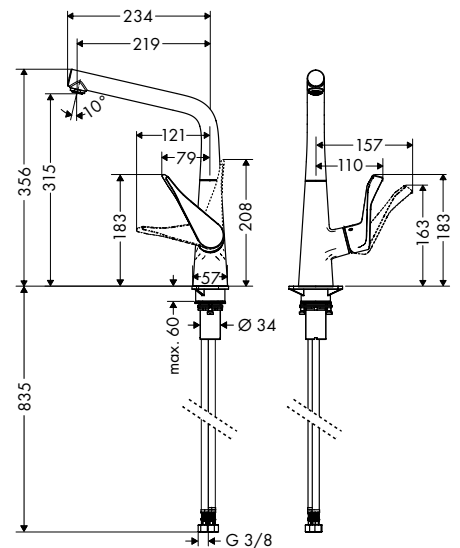
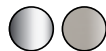
**Features**

- ComfortZone 320
- swivel range adjustable in 3 steps 110°, 150° or 360°
- installation in front of the window, can be laid flat, base height 57 mm
- laminar spray
- connection dimension: DN15
- flow rate 15 l/min
- ceramic cartridge
- connection type: G 3/8 connections
- suitable for continuous flow water heaters
- significantly reduced splashing by soft start of the water flow

**Additional products**



A71 Soap-/lotion dispenser  
# 40468, -000, -800





**Metris M71**

Single lever kitchen mixer 320,  
with shut-off valve, 1jet  
# 14888, -000



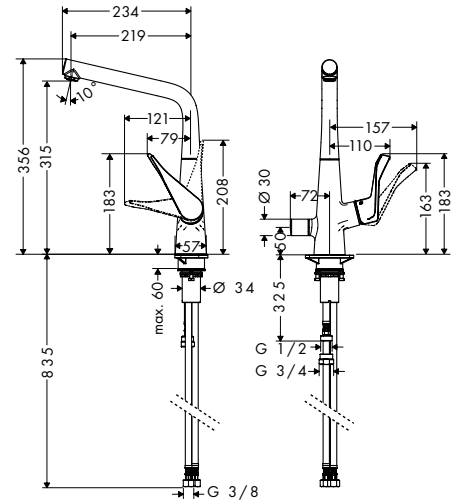
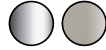
**Features**

- ComfortZone 320
- swivel range adjustable in 3 steps 110°, 150° or 360°
- laminar spray
- with integrated shut-off valve
- connection dimension: DN15
- flow rate 13 l/min
- ceramic cartridge
- connection type: G 3/8 connections
- suitable for continuous flow water heaters
- significantly reduced splashing by soft start of the water flow

**Additional products**



A71 Soap-/lotion dispenser  
# 40468, -000, -800





# TALIS M51

---

Versatile products, expressive design



**NEW**



**Talis Select M51**

Single lever kitchen mixer 300, pull-out spray, 2jet, sBox # 73867, -000, -800



**Features**

- consists of: single lever kitchen mixer, hose box
- ComfortZone 300
- swivel range adjustable in 2 steps to 110° or 150°
- laminar spray and shower spray
- lockable shower spray, spray returns through pressing spray diverter and spray returns automatically through handle closing
- Select button for a comfortable start/stop of the water flow
- MagFit magnetic shower support
- connection dimension: DN15
- flow rate 8 l/min
- ceramic cartridge
- connection type: G 3/8 connections
- integrated non-return valve

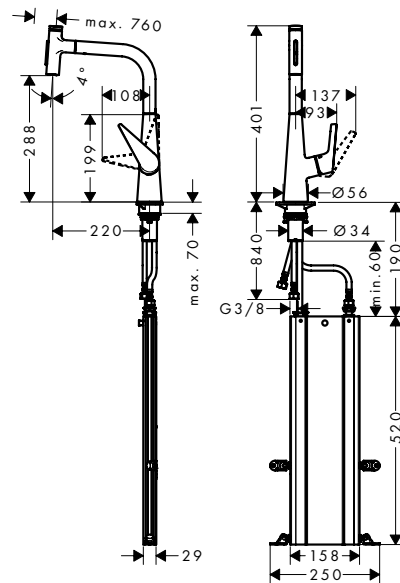
**Additional products**



A51 Soap-/lotion dispenser # 40448, -000, -800



- suitable for continuous flow water heaters
- sBox for quiet, smooth and protected hose guidance in the cabinet, under the countertop, with extension length up to 76 cm



**NEW**



**Talis Select M51**

Single lever kitchen mixer 300, pull-out spray, 2jet # 72823, -000, -800



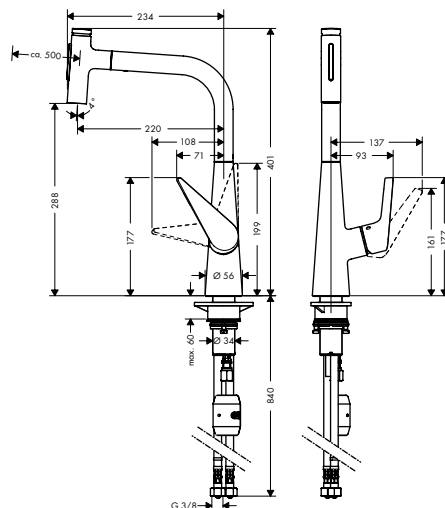
**Features**

- ComfortZone 300
- swivel range adjustable in 2 steps to 110° or 150°
- laminar spray and shower spray
- lockable shower spray, spray returns through pressing spray diverter and spray returns automatically through handle closing
- Select button for a comfortable start/stop of the water flow
- MagFit magnetic shower support
- connection dimension: DN15
- flow rate 8 l/min
- ceramic cartridge
- connection type: G 3/8 connections
- integrated non-return valve
- suitable for continuous flow water heaters

**Additional products**



A51 Soap-/lotion dispenser # 40448, -000, -800





**Talis Select M51**

Single lever kitchen mixer 300, pull-out spout, ljet, sBox # 73853, -000, -800



**Features**

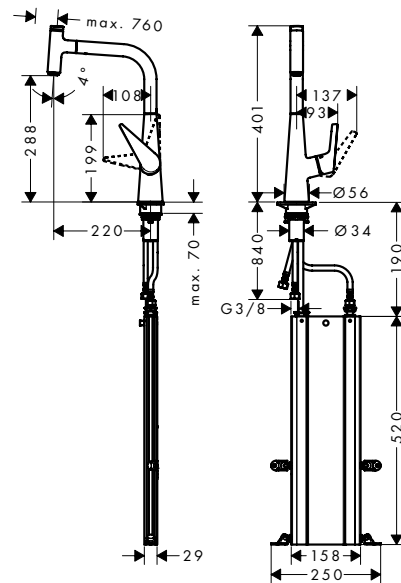
- consists of: single lever kitchen mixer, hose box
- ComfortZone 300
- swivel range adjustable in 2 steps to 110° or 150°
- normal spray
- Select button for a comfortable start/stop of the water flow
- MagFit magnetic shower support
- quick connect hose
- connection dimension: DN15
- flow rate 8 l/min
- ceramic cartridge
- connection type: G 3/8 connections
- integrated non-return valve
- suitable for continuous flow water heaters

- sBox for quiet, smooth and protected hose guidance in the cabinet, under the countertop, with extension length up to 76 cm

**Additional products**



A51 Soap-/lotion dispenser # 40448, -000, -800



**Talis Select M51**

Single lever kitchen mixer 300, pull-out spout, ljet # 72821, -000, -800

Single lever kitchen mixer 300. Eco, pull-out spout, ljet # 72826, -000 (not shown)



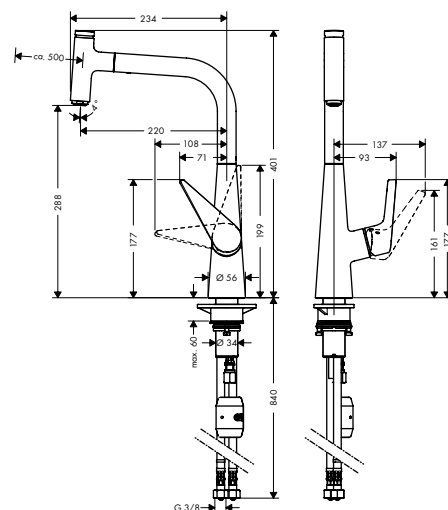
**Features**

- ComfortZone 300
- swivel range adjustable in 2 steps to 110° or 150°
- normal spray
- Select button for a comfortable start/stop of the water flow
- MagFit magnetic shower support
- connection dimension: DN15
- flow rate 8 l/min
- ceramic cartridge
- connection type: G 3/8 connections
- integrated non-return valve
- suitable for continuous flow water heaters

**Additional products**



A51 Soap-/lotion dispenser # 40448, -000, -800

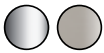


**NEW**



**Talis Select M51**

Single lever kitchen mixer 220, pull-out spray, 2jet, sBox # 73868, -000, -800



**Features**

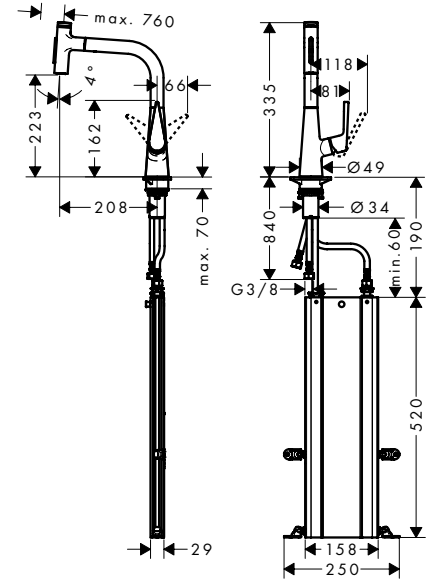
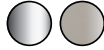
- consists of: single lever kitchen mixer, hose box
- ComfortZone 220
- swivel range adjustable in 2 steps to 110° or 150°
- laminar spray and shower spray
- lockable shower spray, spray returns through pressing spray diverter and spray returns automatically through handle closing
- Select button for a comfortable start/stop of the water flow
- MagFit magnetic shower support
- quick connect hose
- connection dimension: DN15
- flow rate 8 l/min
- ceramic cartridge
- connection type: G 3/8 connections

- integrated non-return valve
- suitable for continuous flow water heaters
- sBox for quiet, smooth and protected hose guidance in the cabinet, under the countertop, with extension length up to 76 cm

**Additional products**



A51 Soap-/lotion dispenser # 40448, -000, -800

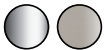


**NEW**



**Talis Select M51**

Single lever kitchen mixer 220, pull-out spray, 2jet # 72824, -000, -800



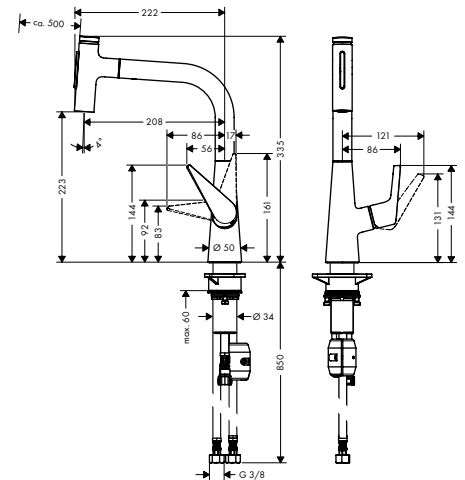
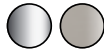
**Features**

- ComfortZone 220
- swivel range adjustable in 2 steps to 110° or 150°
- laminar spray and shower spray
- lockable shower spray, spray returns through pressing spray diverter and spray returns automatically through handle closing
- Select button for a comfortable start/stop of the water flow
- MagFit magnetic shower support
- connection dimension: DN15
- flow rate 8 l/min
- ceramic cartridge
- connection type: G 3/8 connections
- integrated non-return valve
- suitable for continuous flow water heaters

**Additional products**



A51 Soap-/lotion dispenser # 40448, -000, -800





**Talis Select M51**

Single lever kitchen mixer 220,  
pull-out spout, ljet, sBox  
# 73852, -000, -800



**Features**

- consists of: single lever kitchen mixer, hose box
- ComfortZone 220
- swivel range adjustable in 2 steps to 110° or 150°
- normal spray
- Select button for a comfortable start/stop of the water flow
- MagFit magnetic shower support
- connection dimension: DN15
- flow rate 8 l/min
- ceramic cartridge
- connection type: G 3/8 connections
- integrated non-return valve
- suitable for continuous flow water heaters

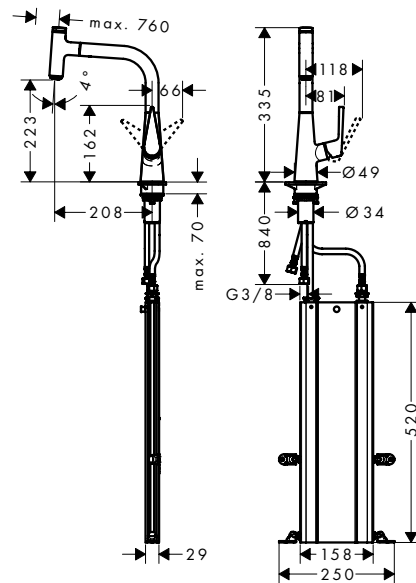
**Additional products**



A51 Soap-/lotion dispenser  
# 40448, -000, -800



- sBox for quiet, smooth and protected hose guidance in the cabinet, under the countertop, with extension length up to 76 cm



**Talis Select M51**

Single lever kitchen mixer 220,  
pull-out spout, ljet  
# 72822, -000, -800



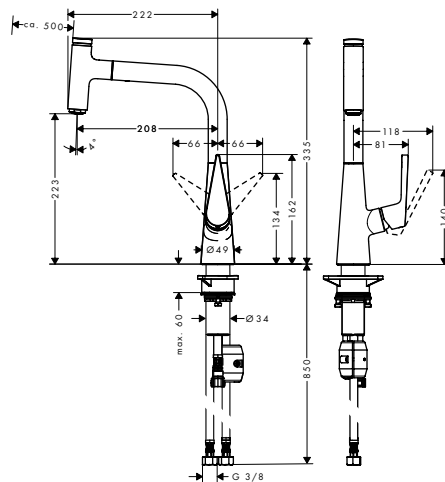
**Features**

- ComfortZone 220
- swivel range adjustable in 2 steps to 110° or 150°
- normal spray
- Select button for a comfortable start/stop of the water flow
- MagFit magnetic shower support
- connection dimension: DN15
- flow rate 10 l/min
- ceramic cartridge
- connection type: G 3/8 connections
- integrated non-return valve
- suitable for continuous flow water heaters

**Additional products**



A51 Soap-/lotion dispenser  
# 40448, -000, -800





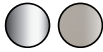
**Features**

- ComfortZone 300
- swivel range adjustable in 3 steps 110°, 150° or 360°
- normal spray
- Select button for a comfortable start/stop of the water flow
- connection dimension: DN15
- flow rate 8 l/min
- ceramic cartridge
- connection type: G 3/8 connections
- integrated non-return valve
- suitable for continuous flow water heaters

**Talis Select M51**

Single lever kitchen mixer 300, 1jet  
# 72820, -000, -800

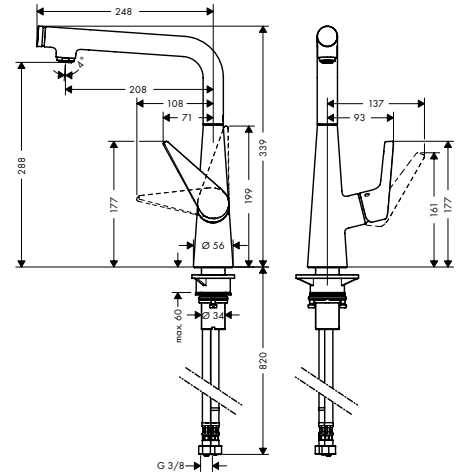
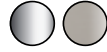
Single lever kitchen mixer 300, Eco, 1jet  
# 72825, -000 (not shown)



**Additional products**



A51 Soap-/lotion dispenser  
# 40448, -000, -800

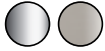




**Talis M51**

Single lever kitchen mixer 200, pull-out spray, 2jet, sBox # 73851, -000, -800

Single lever kitchen mixer 200, Eco, pull-out spray, 2jet, sBox # 73876, -000 (not shown)



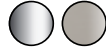
**Features**

- consists of: single lever kitchen mixer, hose box
- ComfortZone 200
- swivel range adjustable in 2 steps to 110° or 150°
- laminar spray and shower spray
- lockable shower spray, spray returns through pressing spray diverter
- MagFit magnetic shower support
- connection dimension: DN15
- flow rate 8 l/min
- ceramic cartridge
- connection type: G 3/8 connections
- integrated non-return valve
- suitable for continuous flow water heaters

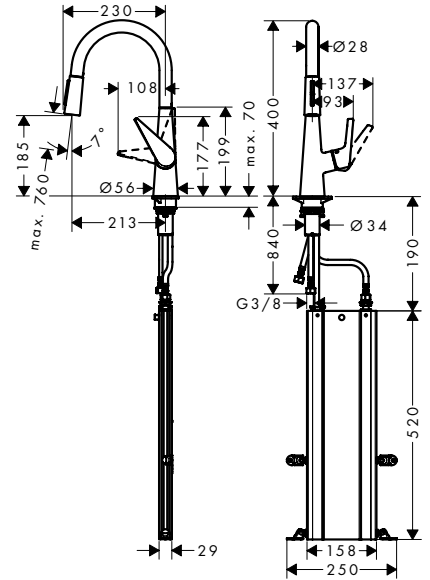
**Additional products**



A51 Soap-/lotion dispenser # 40448, -000, -800



- sBox for quiet, smooth and protected hose guidance in the cabinet, under the countertop, with extension length up to 76 cm



**Talis M51**

Single lever kitchen mixer 200, pull-out spray, 2jet # 72813, -000, -800

Single lever kitchen mixer 200, Eco, pull-out spray, 2jet # 72817, -000 (not shown)



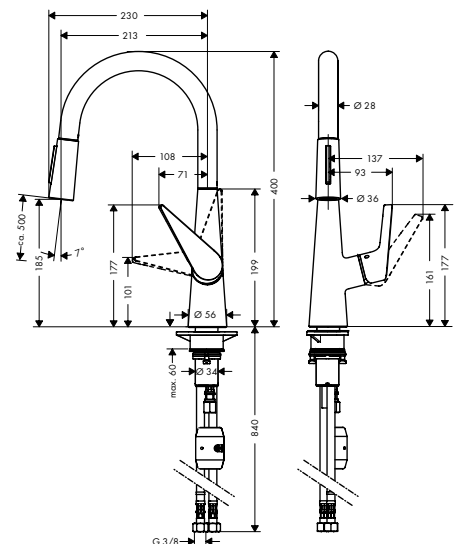
**Features**

- ComfortZone 200
- swivel range adjustable in 2 steps to 110° or 150°
- laminar spray and shower spray
- lockable shower spray, spray returns through pressing spray diverter
- MagFit magnetic shower support
- quick connect hose
- connection dimension: DN15
- flow rate 11 l/min
- ceramic cartridge
- connection type: G 3/8 connections
- integrated non-return valve
- suitable for continuous flow water heaters

**Additional products**



A51 Soap-/lotion dispenser # 40448, -000, -800





**Talis M51**

Single lever kitchen mixer 160,  
pull-out spray, 2jet, sBox  
# 73850, -000, -800



**Features**

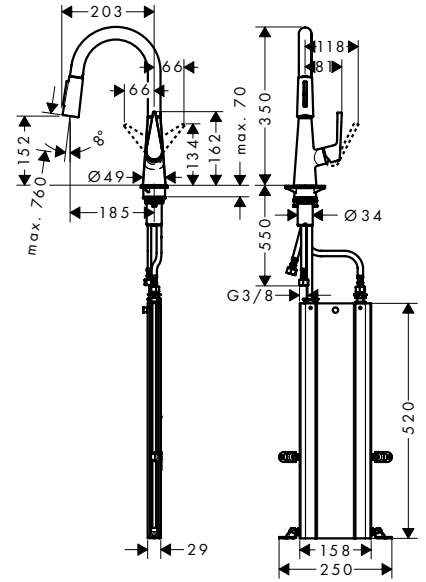
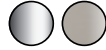
- consists of: single lever kitchen mixer, hose box
- ComfortZone 160
- swivel range adjustable in 2 steps to 110° or 150°
- laminar spray and shower spray
- lockable shower spray, spray returns through pressing spray diverter
- MagFit magnetic shower support
- connection dimension: DN15
- flow rate 8 l/min
- ceramic cartridge
- connection type: G 3/8 connections
- integrated non-return valve
- suitable for continuous flow water heaters

- sBox for quiet, smooth and protected hose guidance in the cabinet, under the countertop, with extension length up to 76 cm

**Additional products**



A51 Soap-/lotion dispenser  
# 40448, -000, -800



**Talis M51**

Single lever kitchen mixer 160,  
pull-out spray, 2jet  
# 72815, -000, -800



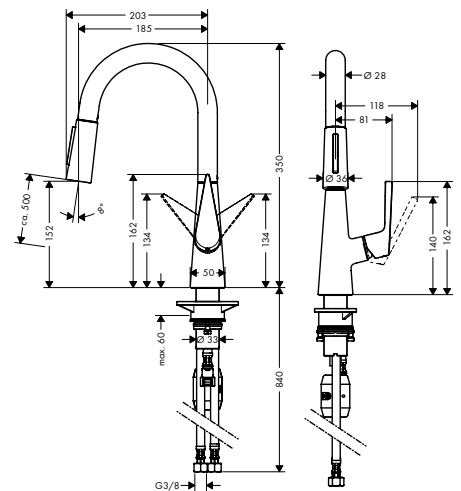
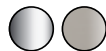
**Features**

- ComfortZone 160
- swivel range adjustable in 2 steps to 110° or 150°
- laminar spray and shower spray
- lockable shower spray, spray returns through pressing spray diverter
- MagFit magnetic shower support
- quick connect hose
- connection dimension: DN15
- flow rate 11 l/min
- ceramic cartridge
- connection type: G 3/8 connections
- integrated non-return valve
- suitable for continuous flow water heaters

**Additional products**



A51 Soap-/lotion dispenser  
# 40448, -000, -800



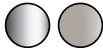




**Talis M51**

Single lever kitchen mixer 260, 1jet  
# 72810, -000, -800

Single lever kitchen mixer 260, Eco, 1jet  
# 72816, -000 (not shown)



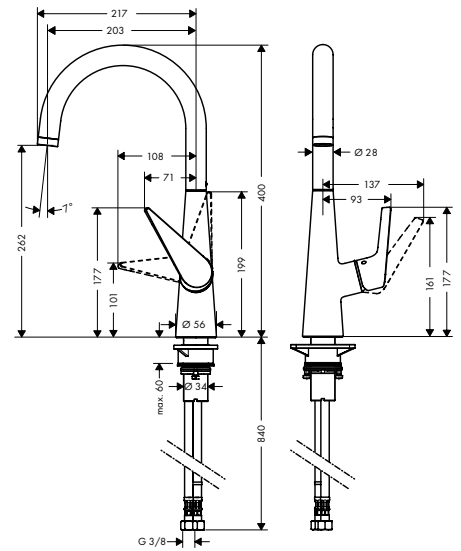
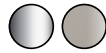
**Features**

- ComfortZone 260
- swivel range adjustable in 3 steps 110°, 150° or 360°
- normal spray
- connection dimension: DN15
- flow rate 10 l/min
- ceramic cartridge
- connection type: G 3/8 connections
- suitable for continuous flow water heaters

**Additional products**



A51 Soap-/lotion dispenser  
# 40448, -000, -800



**Talis M51**

Single lever kitchen mixer 260,  
LowPressure/vented hot water cylinders,  
1jet  
# 72812, -000



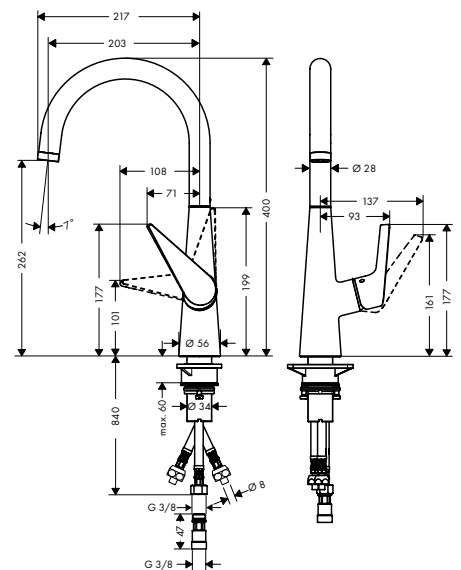
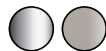
**Features**

- ComfortZone 260
- swivel range adjustable in 3 steps 110°, 150° or 360°
- normal spray
- connection dimension: DN15
- flow rate 5 l/min
- ceramic cartridge
- connection type: G 3/8 connections
- not suitable for continuous flow water heaters

**Additional products**



A51 Soap-/lotion dispenser  
# 40448, -000, -800





**Talis M51**

Single lever kitchen mixer 220, 1jet  
# 72814, -000, -800



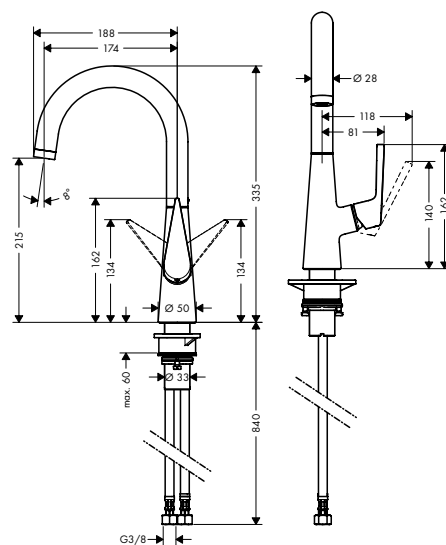
**Features**

- ComfortZone 220
- swivel range adjustable in 3 steps 110°, 150° or 360°
- normal spray
- connection dimension: DN15
- flow rate 10 l/min
- ceramic cartridge
- connection type: G 3/8 connections
- suitable for continuous flow water heaters

**Additional products**



A51 Soap-/lotion dispenser  
# 40448, -000, -800



**Features**

- ComfortZone 220
- swivel range adjustable in 3 steps 110°, 150° or 360°
- normal spray
- with integrated shut-off valve
- connection dimension: DN15
- flow rate 10 l/min
- ceramic cartridge
- connection type: G 3/8 connections
- suitable for continuous flow water heaters



**Talis M51**

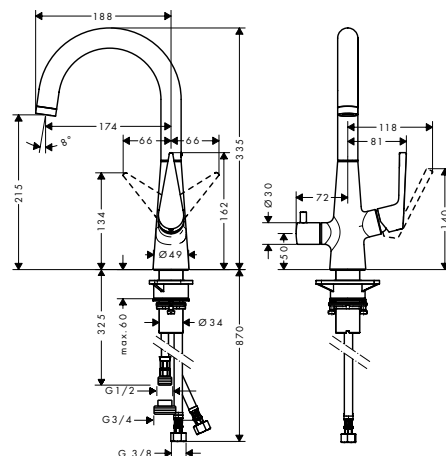
Single lever kitchen mixer 220,  
with shut-off valve, 1jet  
# 72811, -000



**Additional products**



A51 Soap-/lotion dispenser  
# 40448, -000, -800



# TALIS M52

---

Brings a spark to the kitchen

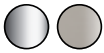




**Talis M52**

Single lever kitchen mixer 220, installation in front of a window, pull-out spray, 2jet, sBox # 73863, -000, -800

Single lever kitchen mixer 220, Eco, pull-out spray, 2jet, sBox # 73879, -000 (not shown)



**Features**

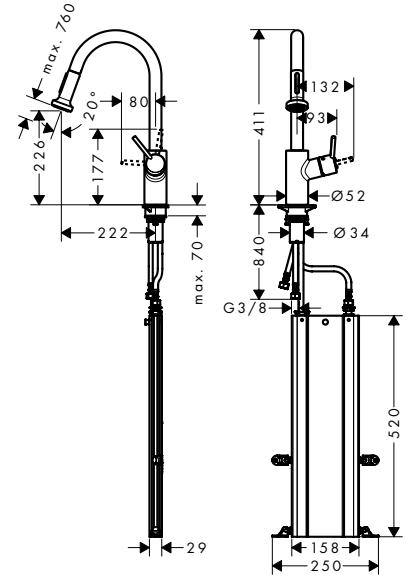
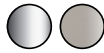
- consists of: single lever kitchen mixer, hose box
- ComfortZone 220
- swivel range 150°
- installation in front of the window, can be laid flat, base height 70 mm
- normal and spray jet
- non-lockable shower spray
- MagFit magnetic shower support
- connection dimension: DN15
- flow rate 11 l/min
- ceramic cartridge
- connection type: G 3/8 connections
- integrated non-return valve
- suitable for continuous flow water heaters

- sBox for quiet, smooth and protected hose guidance in the cabinet, under the countertop, with extension length up to 76 cm

**Additional products**



A51 Soap-/lotion dispenser # 40448, -000, -800



**Talis M52**

Single lever kitchen mixer 220, installation in front of a window, pull-out spray, 2jet # 14877, -000

Single lever kitchen mixer 220, Eco, pull-out spray, 2jet # 72831, -000 (not shown)



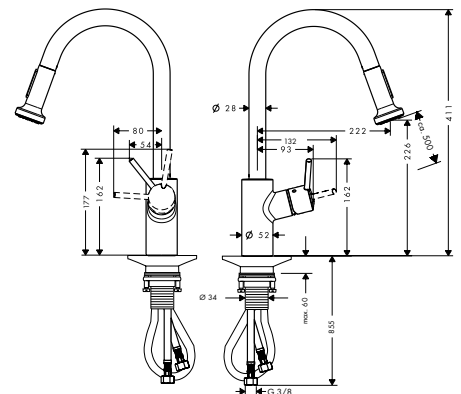
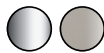
**Features**

- ComfortZone 220
- swivel range 150°
- installation in front of the window, can be laid flat, base height 70 mm
- normal and spray jet
- non-lockable shower spray
- MagFit magnetic shower support
- quick connect hose
- connection dimension: DN15
- flow rate 11 l/min
- ceramic cartridge
- connection type: G 3/8 connections
- integrated non-return valve
- suitable for continuous flow water heaters

**Additional products**



A51 Soap-/lotion dispenser # 40448, -000, -800

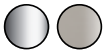




**Talis M52**

Single lever kitchen mixer 260, installation in front of a window, pull-out spout, 1jet, sBox # 73864, -000, -800

Single lever kitchen mixer 260, Eco, pull-out spout, 1jet, sBox # 73878, -000 (not shown)



**Features**

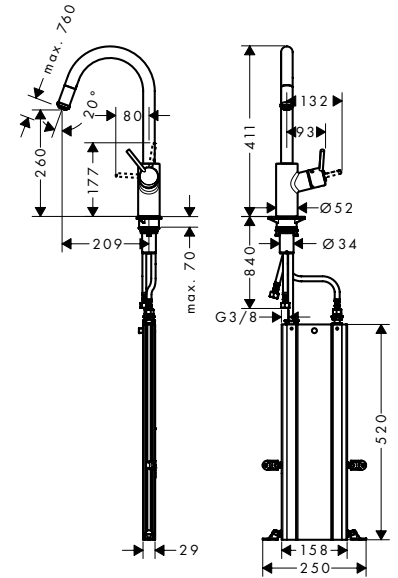
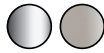
- consists of: single lever kitchen mixer, hose box
- ComfortZone 260
- swivel range 150°
- installation in front of the window, can be laid flat, base height 70 mm
- normal spray
- MagFit magnetic shower support
- connection dimension: DN15
- flow rate 9 l/min
- ceramic cartridge
- connection type: G 3/8 connections
- integrated non-return valve
- suitable for continuous flow water heaters

- sBox for quiet, smooth and protected hose guidance in the cabinet, under the countertop, with extension length up to 76 cm

**Additional products**



A51 Soap-/lotion dispenser # 40448, -000, -800



**Talis M52**

Single lever kitchen mixer 260, installation in front of a window, pull-out spout, 1jet # 14872, -000

Single lever kitchen mixer 260, Eco, pull-out spout, 1jet # 72832, -000 (not shown)



**Features**

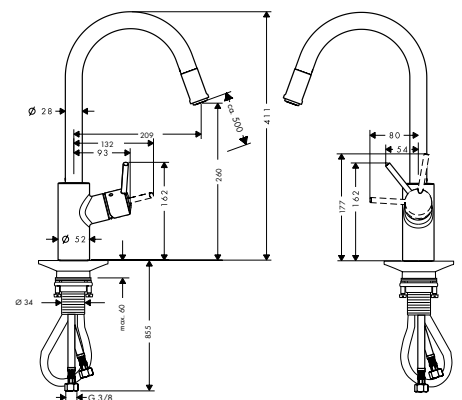
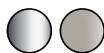
- ComfortZone 260
- swivel range 150°
- installation in front of the window, can be laid flat, base height 70 mm
- normal spray
- MagFit magnetic shower support
- quick connect hose
- connection dimension: DN15
- flow rate 9 l/min
- ceramic cartridge
- connection type: G 3/8 connections
- integrated non-return valve
- suitable for continuous flow water heaters

Kitchen taps

**Additional products**



A51 Soap-/lotion dispenser # 40448, -000, -800





**Talis M52**

Single lever kitchen mixer 270, 1jet  
# 14870, -000



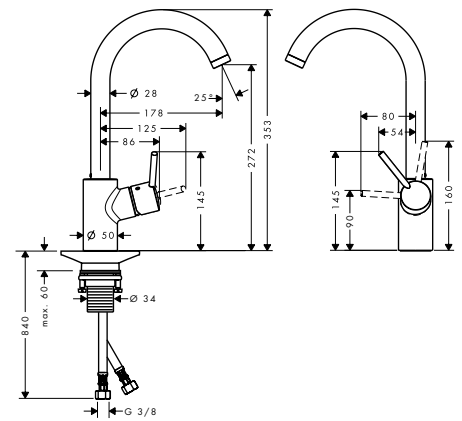
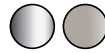
**Features**

- ComfortZone 270
- swivel range adjustable in 3 steps 110°, 150° or 360°
- normal spray
- connection dimension: DN15
- flow rate 10 l/min
- ceramic cartridge
- connection type: G 3/8 connections
- suitable for continuous flow water heaters

**Additional products**



A51 Soap-/lotion dispenser  
# 40448, -000, -800



**Talis M52**

Single lever kitchen mixer 270,  
with shut-off valve, 1jet  
# 14875, -000



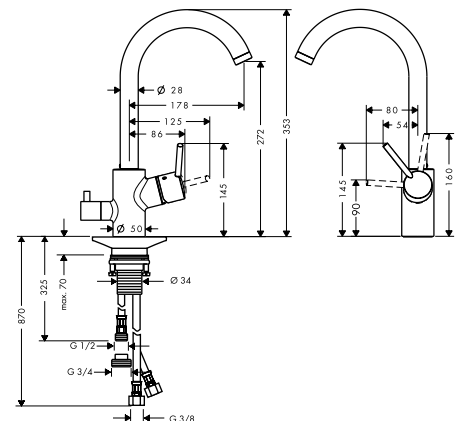
**Features**

- ComfortZone 270
- swivel range adjustable in 3 steps 110°, 150° or 360°
- normal spray
- with integrated shut-off valve
- connection dimension: DN15
- flow rate 10 l/min
- ceramic cartridge
- connection type: G 3/8 connections
- suitable for continuous flow water heaters

**Additional products**



A51 Soap-/lotion dispenser  
# 40448, -000, -800

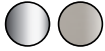




**Talis M52**

Single lever kitchen mixer 170, pull-out spray, 2jet, sBox # 73860, -000, -800

Single lever kitchen mixer 170, Eco, pull-out spray, 2jet, sBox # 73869, -000 (not shown)



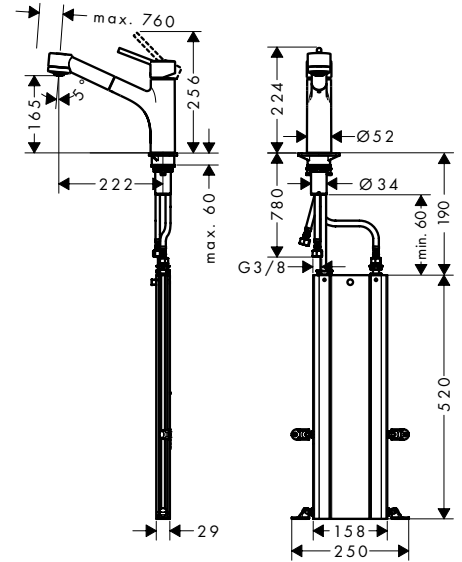
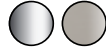
**Features**

- consists of: single lever kitchen mixer, hose box
- ComfortZone 170
- swivel range 150°
- normal and spray jet
- lockable shower spray, spray returns automatically through handle closing
- connection dimension: DN15
- flow rate 10 l/min
- ceramic cartridge
- connection type: G 3/8 connections
- integrated non-return valve
- suitable for continuous flow water heaters
- sBox for quiet, smooth and protected hose guidance in the cabinet, under the countertop, with extension length up to 76 cm

**Additional products**



A51 Soap-/lotion dispenser # 40448, -000, -800



**Talis M52**

Single lever kitchen mixer 170, pull-out spray, 2jet # 32841, -000

Single lever kitchen mixer 170, Eco, pull-out spray, 2jet # 32845, -000 (not shown)



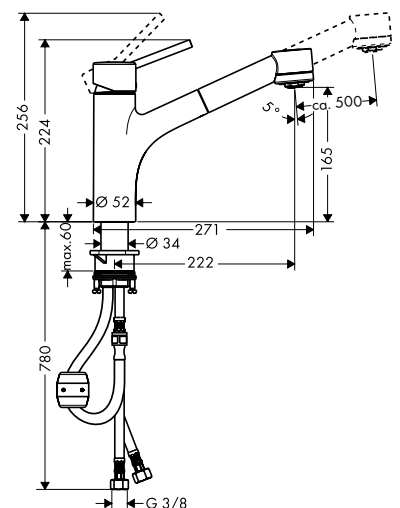
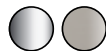
**Features**

- ComfortZone 170
- swivel range 150°
- normal and spray jet
- lockable shower spray, spray returns automatically through handle closing
- connection dimension: DN15
- flow rate 10 l/min
- ceramic cartridge
- connection type: G 3/8 connections
- integrated non-return valve
- suitable for continuous flow water heaters

**Additional products**



A51 Soap-/lotion dispenser # 40448, -000, -800





**Talis M52**

Single lever kitchen mixer 170,  
LowPressure/vented hot water cylinders,  
pull-out spray, 2jet  
# 32842, -000

Single lever kitchen mixer 170,  
LowPressure/vented hot water cylinders,  
pull-out spray, 2jet  
# 73861, -000 (not shown)



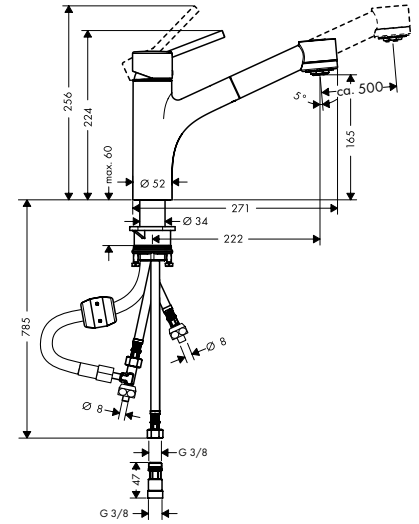
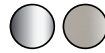
**Features**

- ComfortZone 170
- swivel range 150°
- normal and spray jet
- non-lockable shower spray
- connection dimension: DN15
- flow rate 5 l/min
- ceramic cartridge
- connection type: G 3/8 connections
- integrated non-return valve
- not suitable for continuous flow water heaters

**Additional products**



A51 Soap-/lotion dispenser  
# 40448, -000, -800



**Talis M52**

Single lever kitchen mixer 170, 1jet  
# 32851, -000

Single lever kitchen mixer 170, Eco, 1jet  
# 32857, -000 (not shown)



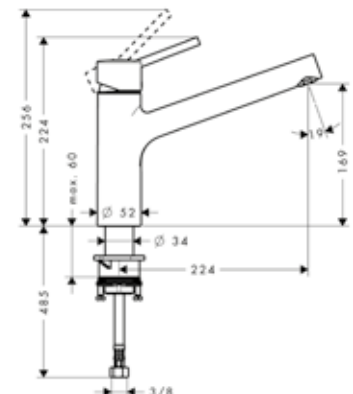
**Features**

- ComfortZone 170
- swivel range 150°
- normal spray
- connection dimension: DN15
- flow rate 16 l/min
- ceramic cartridge
- connection type: G 3/8 connections
- suitable for continuous flow water heaters

**Additional products**



A51 Soap-/lotion dispenser  
# 40448, -000, -800





# TALIS M54

---

Minimalism from every angle





**NEW**

**Talis M54**

Single lever kitchen mixer 210, pull-out spray, 2jet, sBox # 72801, -000, -670, -800



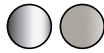
**Features**

- consists of: single lever kitchen mixer, hose box
- ComfortZone 210
- swivel range adjustable in 4 steps 60°, 110°, 150° or 360°
- laminar spray and shower spray
- lockable shower spray, spray returns through pressing spray diverter and spray returns automatically through handle closing
- quick connect hose
- connection dimension: DN15
- flow rate 7 l/min
- ceramic cartridge
- connection type: G 3/8 connections
- integrated non-return valve
- suitable for continuous flow water heaters

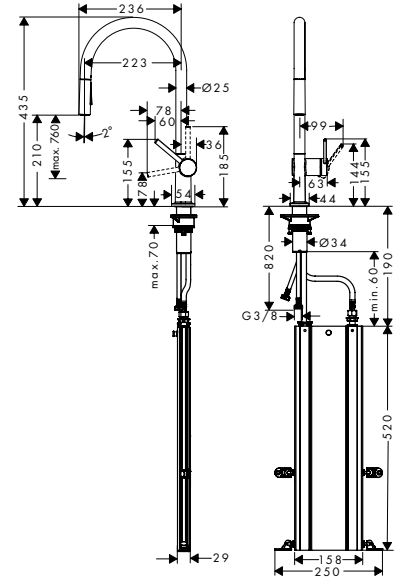
**Additional products**



A41 Soap-/lotion dispenser # 40438, -000, -800



- sBox for quiet, smooth and protected hose guidance in the cabinet, under the countertop, with extension length up to 76 cm



**NEW**

**Talis M54**

Single lever kitchen mixer 210, pull-out spray, 2jet # 72800, -000, -670, -800

Single lever kitchen mixer 210, Eco, pull-out spray, 2jet # 72842, -000, -670 (not shown)



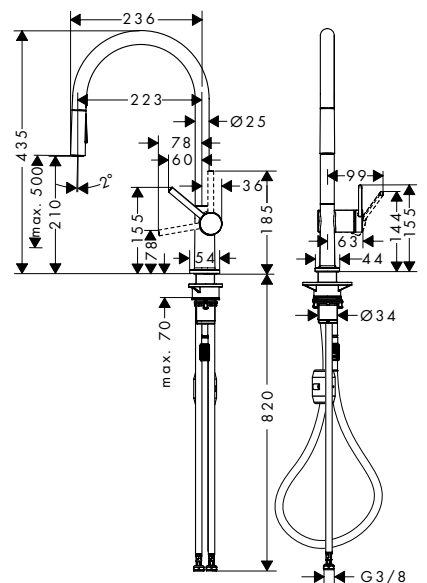
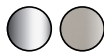
**Features**

- ComfortZone 210
- swivel range adjustable in 4 steps 60°, 110°, 150° or 360°
- laminar spray and shower spray
- lockable shower spray, spray returns through pressing spray diverter and spray returns automatically through handle closing
- quick connect hose
- connection dimension: DN15
- flow rate 7 l/min
- ceramic cartridge
- connection type: G 3/8 connections
- integrated non-return valve
- suitable for continuous flow water heaters

**Additional products**



A41 Soap-/lotion dispenser # 40438, -000, -800





**NEW**

**Talis M54**

Single lever kitchen mixer 210,  
pull-out spout, ljet, sBox  
# 72803, -000, -670, -800



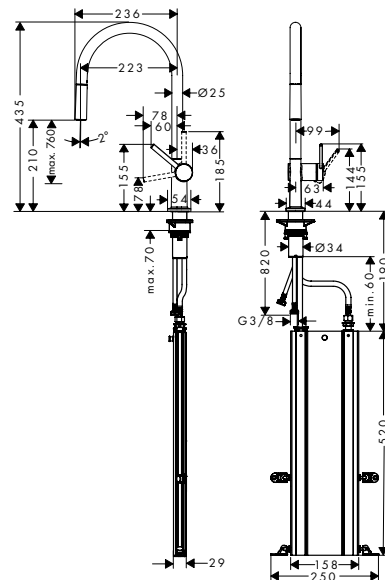
**Features**

- consists of: single lever kitchen mixer, hose box
- ComfortZone 210
- swivel range adjustable in 4 steps 60°, 110°, 150° or 360°
- normal spray
- quick connect hose
- connection dimension: DN15
- flow rate 7 l/min
- ceramic cartridge
- connection type: G 3/8 connections
- integrated non-return valve
- suitable for continuous flow water heaters

**Additional products**



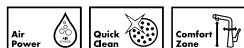
A41 Soap-/lotion dispenser  
# 40438, -000, -800



**NEW**

**Talis M54**

Single lever kitchen mixer 210,  
pull-out spout, ljet  
# 72802, -000, -670, -800



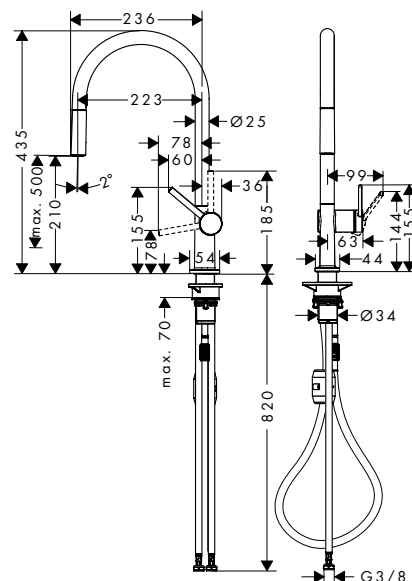
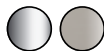
**Features**

- ComfortZone 210
- swivel range adjustable in 4 steps 60°, 110°, 150° or 360°
- normal spray
- quick connect hose
- connection dimension: DN15
- flow rate 7 l/min
- ceramic cartridge
- connection type: G 3/8 connections
- integrated non-return valve
- suitable for continuous flow water heaters

**Additional products**



A41 Soap-/lotion dispenser  
# 40438, -000, -800



**NEW**



**Features**

- ComfortZone 220
- swivel range adjustable in 4 steps 60°, 110°, 150° or 360°
- laminar spray
- connection dimension: DN15
- flow rate 8 l/min
- ceramic cartridge
- connection type: G 3/8 connections
- integrated non-return valve
- suitable for continuous flow water heaters

**Talis M54**

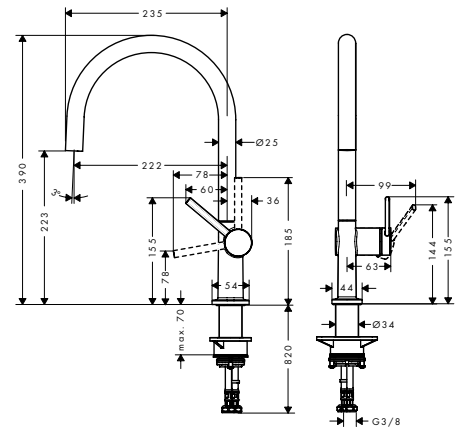
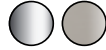
Single lever kitchen mixer 220, 1jet  
# 72804, -000, -670, -800



**Additional products**



A41 Soap-/lotion dispenser  
# 40438, -000, -800



**NEW**



**Features**

- ComfortZone 220
- swivel range adjustable in 4 steps 60°, 110°, 150° or 360°
- laminar spray
- connection dimension: DN15
- ceramic cartridge
- connection type: G 3/8 connections
- integrated non-return valve
- suitable for continuous flow water heaters
- flow rate limited to maximum 6 l/min

**Talis M54**

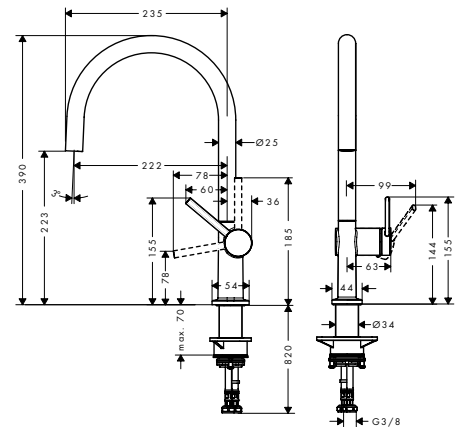
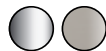
Single lever kitchen mixer 220, Eco, 1jet  
# 72843, -000, -670



**Additional products**



A41 Soap-/lotion dispenser  
# 40438, -000, -800



**NEW**



**Features**

- ComfortZone 220
- swivel range adjustable in 4 steps 60°, 110°, 150° or 360°
- laminar spray
- connection dimension: DN15
- flow rate 8 l/min
- ceramic cartridge
- connection type: G 3/8 connections
- integrated non-return valve
- suitable for continuous flow water heaters

**Talis M54**

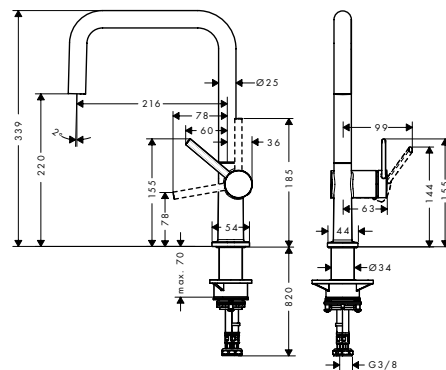
Single lever kitchen mixer U 220, 1jet  
# 72806, -000, -670, -800



**Additional products**



A41 Soap-/lotion dispenser  
# 40438, -000, -800



**NEW**



**Features**

- ComfortZone 220
- swivel range adjustable in 4 steps 60°, 110°, 150° or 360°
- laminar spray
- connection dimension: DN15
- ceramic cartridge
- connection type: G 3/8 connections
- integrated non-return valve
- suitable for continuous flow water heaters
- flow rate limited to maximum 6 l/min

**Talis M54**

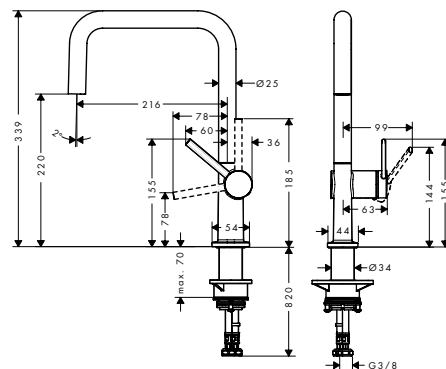
Single lever kitchen mixer U 220, Eco, 1jet  
# 72844, -000, -670



**Additional products**



A41 Soap-/lotion dispenser  
# 40438, -000, -800



**NEW**



**Talis M54**

Single lever kitchen mixer 270,  
pull-out spout, ljet, sBox  
# 72809, -000, -670, -800



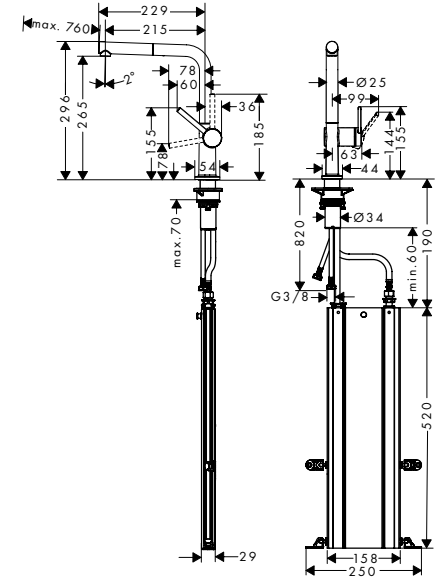
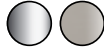
**Features**

- consists of: single lever kitchen mixer, hose box
- ComfortZone 270
- swivel range adjustable in 4 steps 60°, 110°, 150° or 360°
- laminar spray
- quick connect hose
- connection dimension: DN15
- flow rate 7 l/min
- ceramic cartridge
- connection type: G 3/8 connections
- integrated non-return valve
- suitable for continuous flow water heaters

**Additional products**



A41 Soap-/lotion dispenser  
# 40438, -000, -800



**NEW**



**Talis M54**

Single lever kitchen mixer 270,  
pull-out spout, ljet  
# 72808, -000, -670, -800

Single lever kitchen mixer 270, Eco,  
pull-out spout, ljet  
# 72845, -000, -670 (not shown)



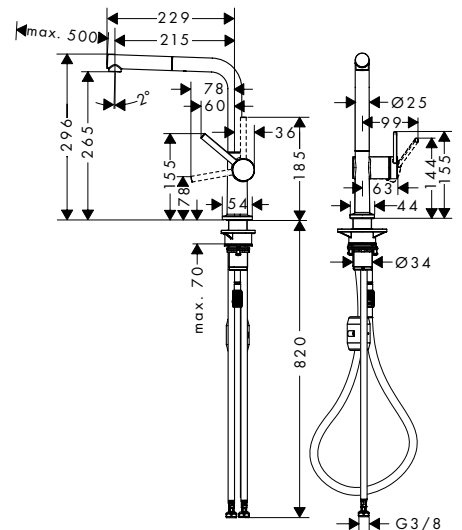
**Features**

- ComfortZone 270
- swivel range adjustable in 4 steps 60°, 110°, 150° or 360°
- laminar spray
- quick connect hose
- connection dimension: DN15
- flow rate 7 l/min
- ceramic cartridge
- connection type: G 3/8 connections
- integrated non-return valve
- suitable for continuous flow water heaters

**Additional products**



A41 Soap-/lotion dispenser  
# 40438, -000, -800



**NEW**



**Features**

- ComfortZone 270
- swivel range adjustable in 4 steps 60°, 110°, 150° or 360°
- laminar spray
- connection dimension: DN15
- flow rate 8 l/min
- ceramic cartridge
- connection type: G 3/8 connections
- integrated non-return valve
- suitable for continuous flow water heaters

**Talis M54**

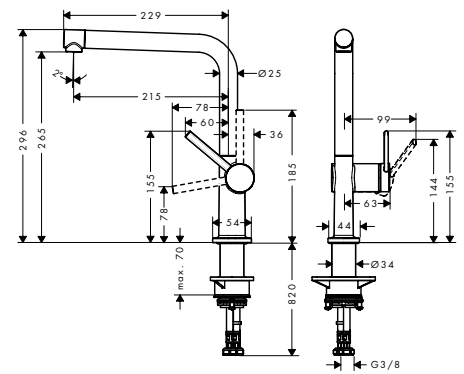
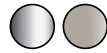
Single lever kitchen mixer 270, 1jet  
# 72840, -000, -670, -800



**Additional products**



A41 Soap-/lotion dispenser  
# 40438, -000, -800



# FOCUS M41

---

Modern kitchen taps, timeless design



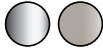




**Focus M41**

Single lever kitchen mixer 240,  
pull-out spray, 2jet, sBox  
# 73880, -000, -800

Single lever kitchen mixer 240, Eco,  
pull-out spray, 2jet, sBox  
# 73895, -000 (not shown)



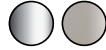
**Features**

- consists of: single lever kitchen mixer, hose box
- ComfortZone 240
- swivel range adjustable in 2 steps to 110° or 150°
- laminar spray and shower spray
- lockable shower spray, spray returns through pressing spray diverter
- MagFit magnetic shower support
- connection dimension: DN15
- flow rate 9.5 l/min
- ceramic cartridge
- connection type: G 3/8 connections
- integrated non-return valve
- suitable for continuous flow water heaters

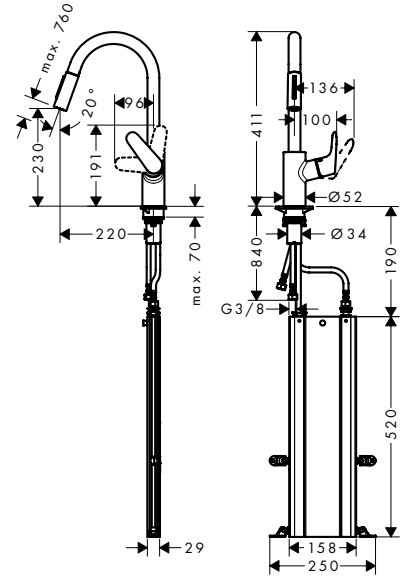
**Additional products**



A41 Soap-/lotion dispenser  
# 40438, -000, -800



- sBox for quiet, smooth and protected hose guidance in the cabinet, under the countertop, with extension length up to 76 cm



**NEW**



**Focus M41**

Single lever kitchen mixer 240,  
pull-out spray, 2jet  
# 31815, -000, -670, -800

Single lever kitchen mixer 240, Eco,  
pull-out spray, 2jet  
# 31833, -000 (not shown)



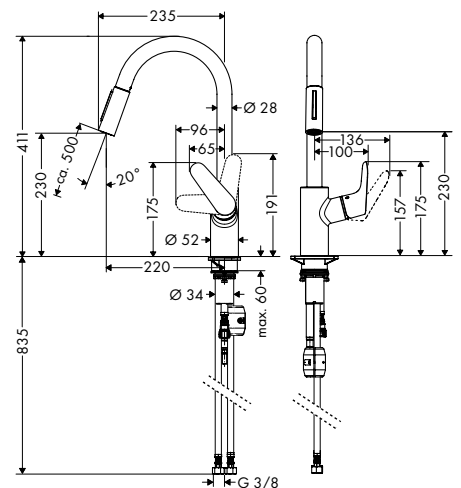
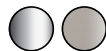
**Features**

- ComfortZone 240
- swivel range adjustable in 2 steps to 110° or 150°
- laminar spray and shower spray
- lockable shower spray, spray returns through pressing spray diverter
- MagFit magnetic shower support
- quick connect hose
- connection dimension: DN15
- flow rate 9.5 l/min
- ceramic cartridge
- connection type: G 3/8 connections
- integrated non-return valve
- suitable for continuous flow water heaters

**Additional products**



A41 Soap-/lotion dispenser  
# 40438, -000, -800



**NEW**



**Features**

- ComfortZone 280
- swivel range adjustable in 3 steps 110°, 150° or 360°
- handle can be positioned on the right or left
- normal spray
- connection dimension: DN15
- flow rate 12 l/min
- ceramic cartridge
- connection type: G 3/8 connections
- suitable for continuous flow water heaters

**Focus M41**

Single lever kitchen mixer 280, 1jet  
# 31817, -000, -670, -800

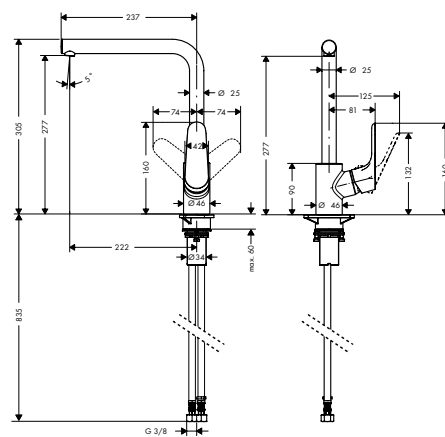
Single lever kitchen mixer 280, Eco, 1jet  
# 31827, -000 (not shown)



**Additional products**



A41 Soap-/lotion dispenser  
# 40438, -000, -800



**NEW**



**Features**

- ComfortZone 260
- swivel range adjustable in 3 steps 110°, 150° or 360°
- handle can be positioned on the right or left
- normal spray
- connection dimension: DN15
- flow rate 12 l/min
- ceramic cartridge
- connection type: G 3/8 connections
- suitable for continuous flow water heaters

**Focus M41**

Single lever kitchen mixer 260, 1jet  
# 31820, -000, -670, -800

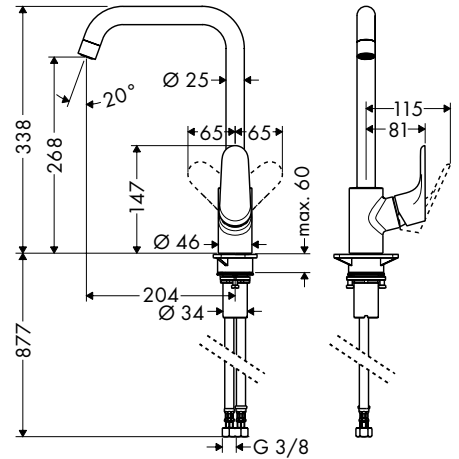
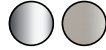
Single lever kitchen mixer 260, Eco, 1jet  
# 31821, -000, -800 (not shown)



**Additional products**



A41 Soap-/lotion dispenser  
# 40438, -000, -800



**Features**

- ComfortZone 260
- swivel range adjustable in 3 steps 110°, 150° or 360°
- handle can be positioned on the right or left
- normal spray
- connection dimension: DN15
- flow rate 5 l/min
- ceramic cartridge
- connection type: G 3/8 connections
- not suitable for continuous flow water heaters

**Focus M41**

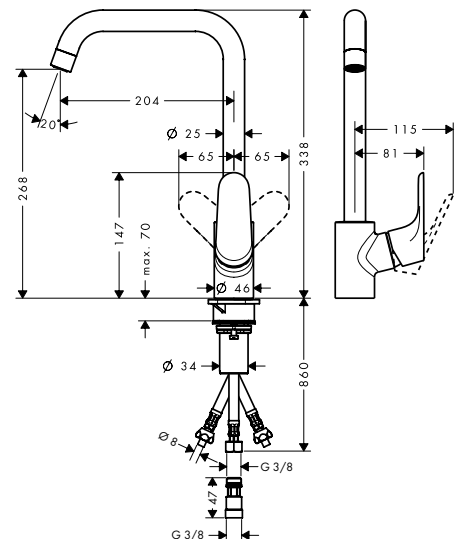
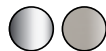
Single lever kitchen mixer 260,  
LowPressure/vented hot water cylinders,  
1jet  
# 31822, -000



**Additional products**



A41 Soap-/lotion dispenser  
# 40438, -000, -800



Kitchen taps



**Focus M41**  
Single lever kitchen mixer 260,  
with shut-off valve, 1jet  
# 31823, -000



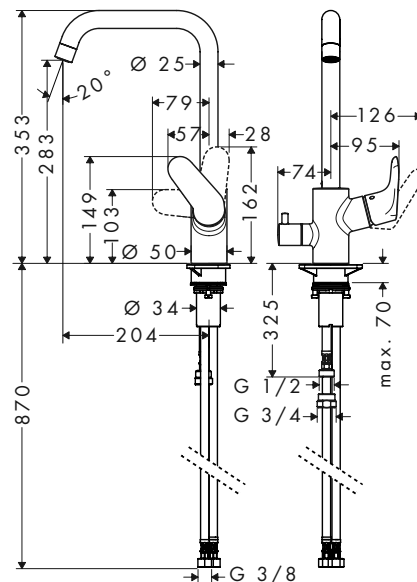
**Features**

- ComfortZone 260
- swivel range adjustable in 3 steps 110°, 150° or 360°
- handle can be positioned on the right or left
- normal spray
- with integrated shut-off valve
- connection dimension: DN15
- flow rate 12 l/min
- ceramic cartridge
- connection type: G 3/8 connections
- suitable for continuous flow water heaters

**Additional products**



A41 Soap-/lotion dispenser  
# 40438, -000, -800



**Features**

- swivel range 180°
- normal spray
- centre distance 150 ± 12 mm
- connection dimension: DN15
- flow rate 12 l/min
- ceramic cartridge
- connection type: s-shaped connections
- suitable for continuous flow water heaters



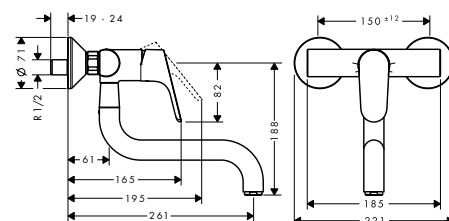
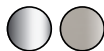
**Focus M41**  
Single lever kitchen mixer,  
wall-mounted lowspout, 1jet  
# 31825, -000



**Additional products**



A41 Soap-/lotion dispenser  
# 40438, -000, -800





**Features**

- ComfortZone 160
- swivel range 360°
- normal spray
- connection dimension: DN15
- flow rate 12 l/min
- ceramic cartridge
- connection type: G 3/8 connections
- suitable for continuous flow water heaters

**Focus M41**

Single lever kitchen mixer 160, 1jet  
# 31806, -000, -800

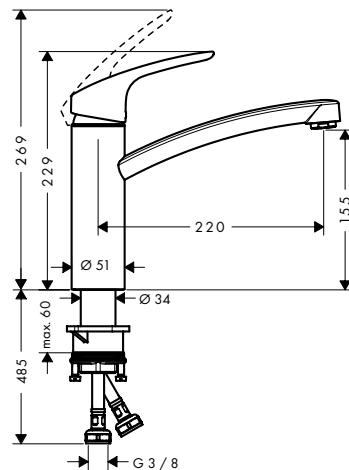
Single lever kitchen mixer 160,  
CoolStart, EcoSmart, 1jet  
# 31816, -000 (not shown)



**Additional products**



A41 Soap-/lotion dispenser  
# 40438, -000, -800



**Features**

- ComfortZone 160
- swivel range 360°
- normal spray
- connection dimension: DN15
- ceramic cartridge
- connection type: G 3/8 connections
- suitable for continuous flow water heaters
- flow rate limited to maximum 6 l/min

**Focus M41**

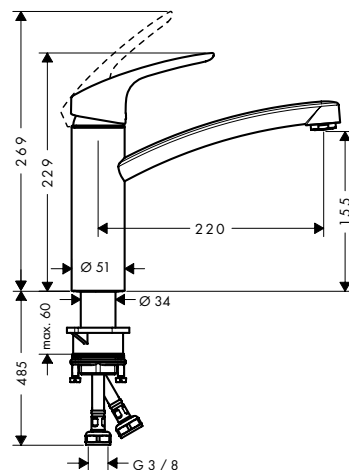
Single lever kitchen mixer 160, Eco, 1jet  
# 31826, -000



**Additional products**



A41 Soap-/lotion dispenser  
# 40438, -000, -800





**Focus M41**

Single lever kitchen mixer 160,  
LowPressure/vented hot water cylinders,  
1jet  
# 31804, -000



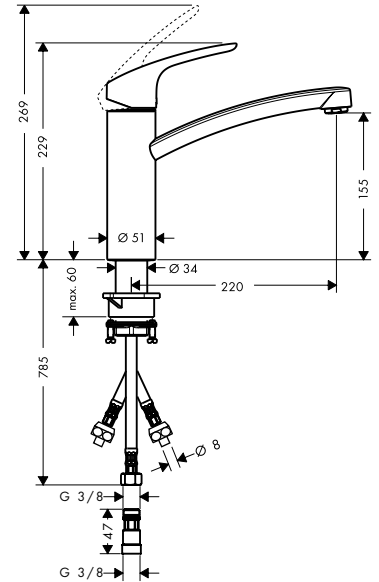
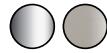
**Features**

- ComfortZone 160
- swivel range 150°
- connection dimension: DN15
- flow rate 5 l/min
- ceramic cartridge
- connection type: G 3/8 connections
- not suitable for continuous flow water heaters

**Additional products**



A41 Soap-/lotion dispenser  
# 40438, -000, -800



**Focus M41**

Single lever kitchen mixer 200,  
with shut-off valve, 1jet  
# 31803, -000



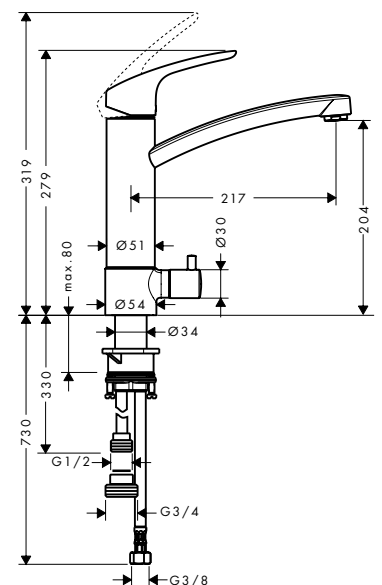
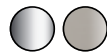
**Features**

- ComfortZone 200
- swivel range 120°
- with integrated shut-off valve
- connection dimension: DN15
- flow rate 12 l/min
- ceramic cartridge
- connection type: G 3/8 connections
- suitable for continuous flow water heaters

**Additional products**



A41 Soap-/lotion dispenser  
# 40438, -000, -800





**Features**

- ComfortZone 160
- swivel range 360°
- normal spray
- connection dimension: DN15
- flow rate 12 l/min
- ceramic cartridge
- connection type: G 3/8 connections
- suitable for continuous flow water heaters

**Focus M41**

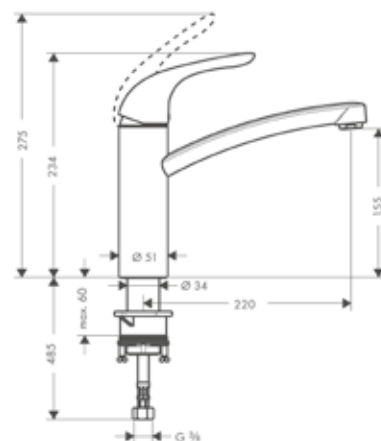
Single lever kitchen mixer E, 160, 1jet  
# 31780, -000



**Additional products**



A41 Soap-/lotion dispenser  
# 40438, -000, -800



**Features**

- swivel range 150°
- connection dimension: DN15
- flow rate 5 l/min
- ceramic cartridge
- connection type: G 3/8 connections
- not suitable for continuous flow water heaters

**Focus M41**

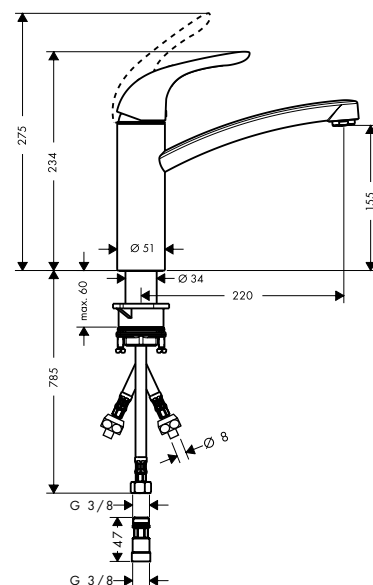
Single lever kitchen mixer E, 160,  
LowPressure/vented hot water cylinders,  
1jet  
# 31784, -000



**Additional products**



A41 Soap-/lotion dispenser  
# 40438, -000, -800



# FOCUS M42

---

Simple switch to high-end brand quality





**NEW**



**Focus M42**  
Single lever kitchen mixer 220,  
pull-out spray, 2jet, sBox  
# 71820, -000, -800



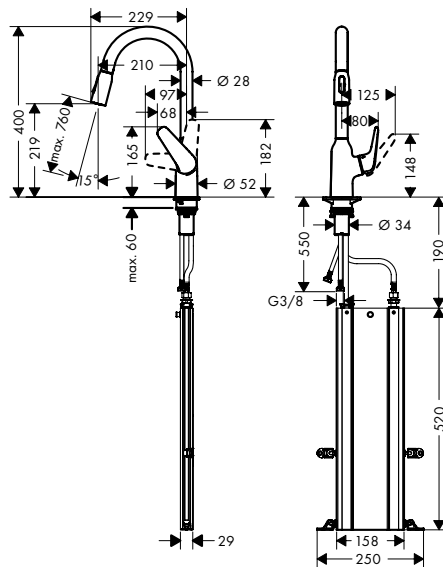
**Features**

- consists of: single lever kitchen mixer, hose box
- ComfortZone 220
- swivel range 360°
- laminar spray and shower spray
- lockable shower spray, spray returns through pressing spray diverter and spray returns automatically through handle closing
- MagFit magnetic shower support
- quick connect hose
- connection dimension: DN15
- flow rate 8 l/min
- ceramic cartridge
- connection type: G 3/8 connections
- integrated non-return valve
- suitable for continuous flow water heaters

**Additional products**



A41 Soap-/lotion dispenser  
# 40438, -000, -800



**NEW**



**Focus M42**  
Single lever kitchen mixer 220,  
pull-out spray, 2jet  
# 71800, -000, -800



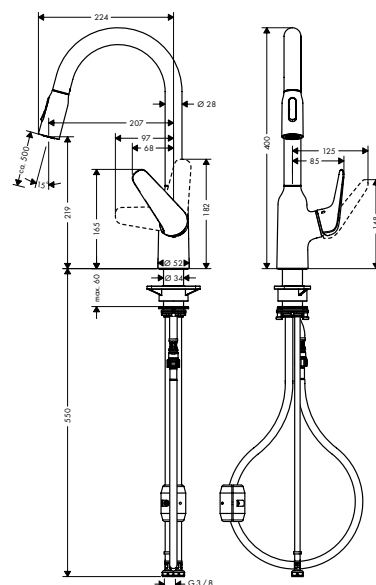
**Features**

- ComfortZone 220
- swivel range 360°
- laminar spray and shower spray
- lockable shower spray, spray returns through pressing spray diverter and spray returns automatically through handle closing
- MagFit magnetic shower support
- quick connect hose
- connection dimension: DN15
- flow rate 8 l/min
- ceramic cartridge
- connection type: G 3/8 connections
- integrated non-return valve
- suitable for continuous flow water heaters

**Additional products**



A41 Soap-/lotion dispenser  
# 40438, -000, -800



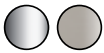
Kitchen taps

**NEW**



**Focus M42**

Single lever kitchen mixer 180,  
pull-out spray, 2jet, sBox  
# 71821, -000, -800



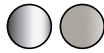
**Features**

- consists of: single lever kitchen mixer, hose box
- ComfortZone 180
- swivel range 360°
- laminar spray and shower spray
- lockable shower spray, spray returns through pressing spray diverter and spray returns automatically through handle closing
- MagFit magnetic shower support
- quick connect hose
- connection dimension: DN15
- flow rate 8 l/min
- ceramic cartridge
- connection type: G 3/8 connections
- integrated non-return valve
- suitable for continuous flow water heaters

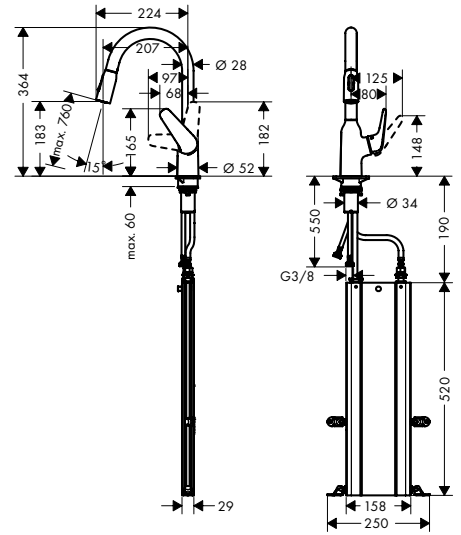
**Additional products**



A41 Soap-/lotion dispenser  
# 40438, -000, -800



- sBox for quiet, smooth and protected hose guidance in the cabinet, under the countertop, with extension length up to 76 cm



**NEW**



**Focus M42**

Single lever kitchen mixer 180,  
pull-out spray, 2jet  
# 71801, -000, -800

Single lever kitchen mixer 180, Eco,  
pull-out spray, 2jet  
# 71862, -000 (not shown)



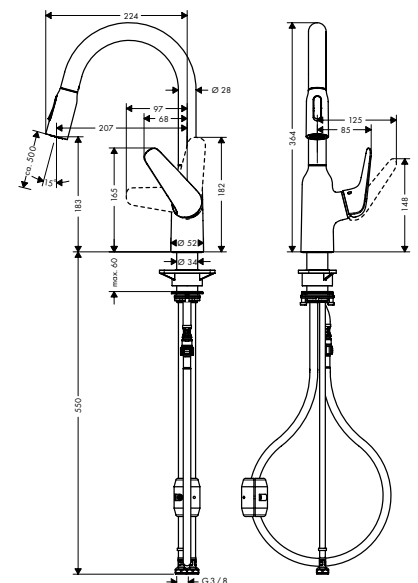
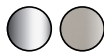
**Features**

- ComfortZone 180
- swivel range 360°
- laminar spray and shower spray
- lockable shower spray, spray returns through pressing spray diverter and spray returns automatically through handle closing
- MagFit magnetic shower support
- quick connect hose
- connection dimension: DN15
- flow rate 8 l/min
- ceramic cartridge
- connection type: G 3/8 connections
- integrated non-return valve
- suitable for continuous flow water heaters

**Additional products**



A41 Soap-/lotion dispenser  
# 40438, -000, -800



**NEW**



**Features**

- ComfortZone 220
- swivel range 360°
- normal spray
- connection dimension: DN15
- flow rate 10 l/min
- ceramic cartridge
- connection type: G 3/8 connections
- suitable for continuous flow water heaters

**Focus M42**

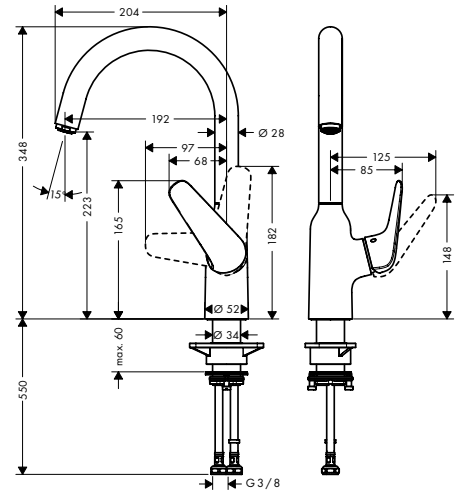
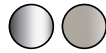
Single lever kitchen mixer 220, 1jet  
# 71802, -000, -800



**Additional products**



A41 Soap-/lotion dispenser  
# 40438, -000, -800



**NEW**



**Features**

- ComfortZone 220
- swivel range adjustable in 2 steps 110° or 360°
- normal spray
- with integrated shut-off valve
- connection dimension: DN15
- flow rate 10 l/min
- ceramic cartridge
- connection type: G 3/8 connections
- suitable for continuous flow water heaters

**Focus M42**

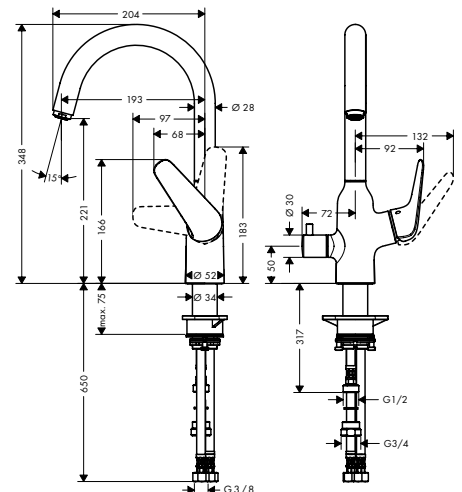
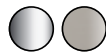
Single lever kitchen mixer 220,  
with shut-off valve, 1jet  
# 71803, -000



**Additional products**



A41 Soap-/lotion dispenser  
# 40438, -000, -800

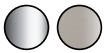


**NEW**



**Focus M42**

Single lever kitchen mixer 150, pull-out spout, ljet, sBox # 71829, -000, -800



**Features**

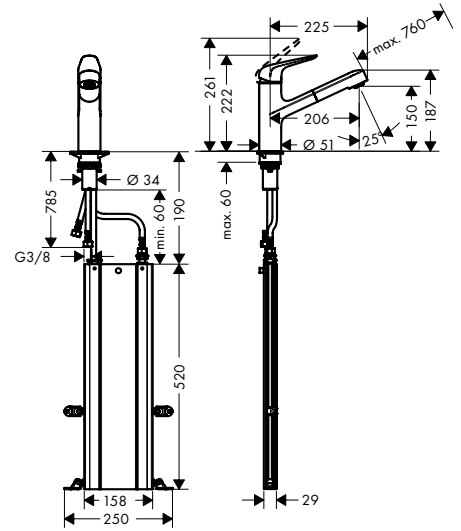
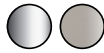
- consists of: single lever kitchen mixer, hose box
- ComfortZone 150
- swivel range 120°
- normal spray
- MagFit magnetic shower support
- quick connect hose
- connection dimension: DN15
- flow rate 10 l/min
- ceramic cartridge
- connection type: G 3/8 connections
- integrated non-return valve
- suitable for continuous flow water heaters

- sBox for quiet, smooth and protected hose guidance in the cabinet, under the countertop, with extension length up to 76 cm

**Additional products**



A41 Soap-/lotion dispenser # 40438, -000, -800



**NEW**



**Focus M42**

Single lever kitchen mixer 150, pull-out spout, ljet # 71814, -000, -800



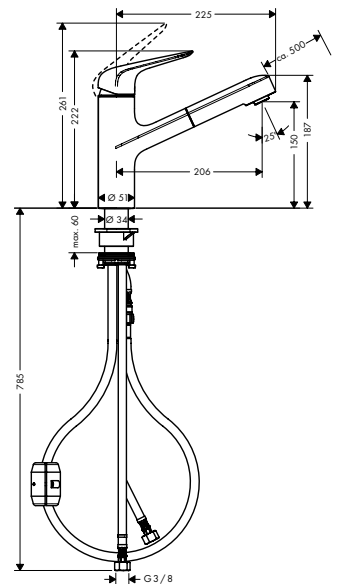
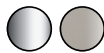
**Features**

- ComfortZone 150
- swivel range 120°
- normal spray
- MagFit magnetic shower support
- quick connect hose
- connection dimension: DN15
- flow rate 10 l/min
- ceramic cartridge
- connection type: G 3/8 connections
- integrated non-return valve
- suitable for continuous flow water heaters

**Additional products**



A41 Soap-/lotion dispenser # 40438, -000, -800



**NEW**



**Features**

- ComfortZone 100
- swivel range 360°
- normal spray
- connection dimension: DN15
- flow rate 12 l/min
- ceramic cartridge
- connection type: G 3/8 connections
- suitable for continuous flow water heaters

**Focus M42**

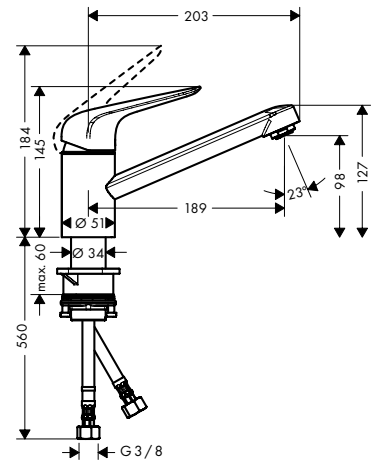
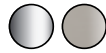
Single lever kitchen mixer 100, 1jet  
# 71808, -000, -800



**Additional products**



A41 Soap-/lotion dispenser  
# 40438, -000, -800



**NEW**



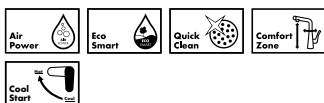
**Features**

- ComfortZone 100
- cold water in middle position
- swivel range 360°
- normal spray
- connection dimension: DN15
- flow rate 12 l/min
- ceramic cartridge
- connection type: G 3/8 connections
- suitable for continuous flow water heaters

**Focus M42**

Single lever kitchen mixer 100,  
CoolStart, EcoSmart, 1jet  
# 71809, -000

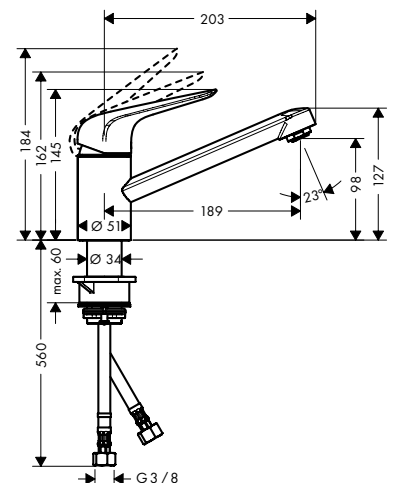
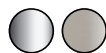
Single lever kitchen mixer 100,  
CoolStart, Eco, 1jet  
# 71866, -000 (not shown)



**Additional products**



A41 Soap-/lotion dispenser  
# 40438, -000, -800



**NEW**



**Features**

- ComfortZone 120
- swivel range 360°
- normal spray
- connection dimension: DN15
- flow rate 12 l/min
- ceramic cartridge
- connection type: G 3/8 connections
- suitable for continuous flow water heaters

**Focus M42**

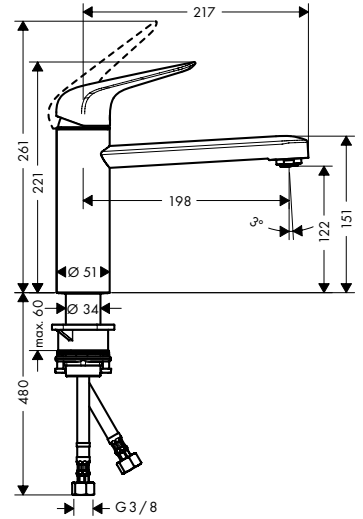
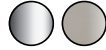
Single lever kitchen mixer 120, 1jet  
# 71806, -000, -800



**Additional products**



A41 Soap-/lotion dispenser  
# 40438, -000, -800



**NEW**



**Features**

- ComfortZone 120
- cold water in middle position
- swivel range 360°
- normal spray
- connection dimension: DN15
- flow rate 12 l/min
- ceramic cartridge
- connection type: G 3/8 connections
- suitable for continuous flow water heaters

**Focus M42**

Single lever kitchen mixer 120, CoolStart, EcoSmart, 1jet  
# 71805, -000

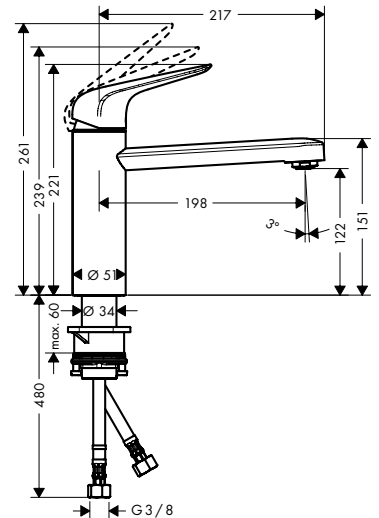
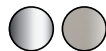
Single lever kitchen mixer 120, CoolStart, Eco, 1jet  
# 71864, -000 (not shown)



**Additional products**



A41 Soap-/lotion dispenser  
# 40438, -000, -800



**NEW**



**Features**

- ComfortZone 120
- swivel range 360°
- connection dimension: DN15
- flow rate 5 l/min
- ceramic cartridge
- connection type: G 3/8 connections
- not suitable for continuous flow water heaters

**Focus M42**

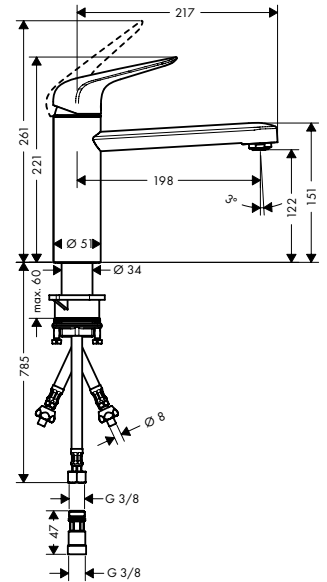
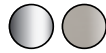
Single lever kitchen mixer 120,  
LowPressure/vented hot water cylinders,  
1jet  
# 71804, -000



**Additional products**



A41 Soap-/lotion dispenser  
# 40438, -000, -800



**NEW**



**Features**

- ComfortZone 120
- swivel range 360°
- installation in front of the window, can be laid flat,  
base height 51 mm
- normal spray
- connection dimension: DN15
- flow rate 12 l/min
- ceramic cartridge
- connection type: G 3/8 connections
- suitable for continuous flow water heaters

**Focus M42**

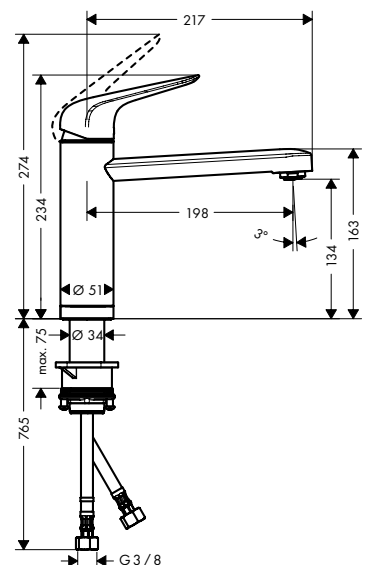
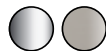
Single lever kitchen mixer 120,  
installation in front of a window, 1jet  
# 71807, -000



**Additional products**



A41 Soap-/lotion dispenser  
# 40438, -000, -800



**NEW**



**Focus M42**

Single lever kitchen mixer 180,  
with shut-off valve, 1jet  
# 71813, -000



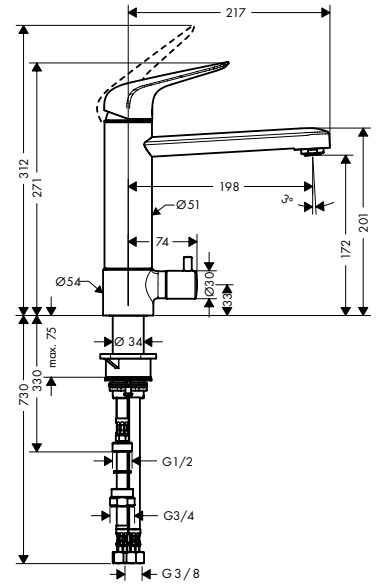
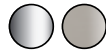
**Features**

- ComfortZone 180
- swivel range adjustable in 2 steps 120° or 360°
- normal spray
- with integrated shut-off valve
- connection dimension: DN15
- flow rate 12 l/min
- ceramic cartridge
- connection type: G 3/8 connections
- suitable for continuous flow water heaters

**Additional products**



A41 Soap-/lotion dispenser  
# 40438, -000, -800





# LOGIS M31

---

Top quality at a great price





**Features**

- ComfortZone 260
- swivel range adjustable in 3 steps 110°, 150° or 360°
- handle can be positioned on the right or left
- normal spray
- connection dimension: DN15
- flow rate 12 l/min
- ceramic cartridge
- connection type: G 3/8 connections
- suitable for continuous flow water heaters

**Logis M31**

Single lever kitchen mixer 260, 1jet  
# 71835, -000

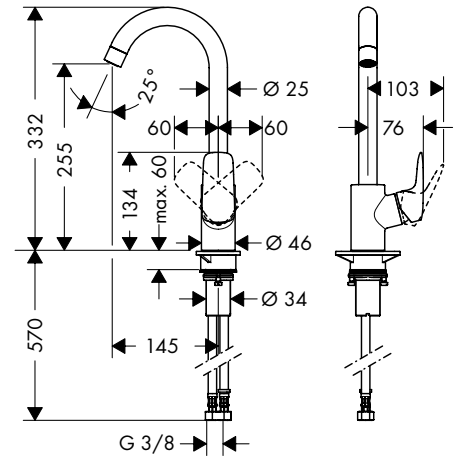
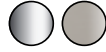
Single lever kitchen mixer 260, Eco, 1jet  
# 71861, -000 (not shown)



**Additional products**



A41 Soap-/lotion dispenser  
# 40438, -000, -800



**Features**

- ComfortZone 220
- swivel range adjustable in 3 steps 110°, 150° or 360°
- normal spray
- connection dimension: DN15
- flow rate 12 l/min
- ceramic valves hot/cold 90°
- connection type: G 3/8 connections
- suitable for continuous flow water heaters

**Logis M31**

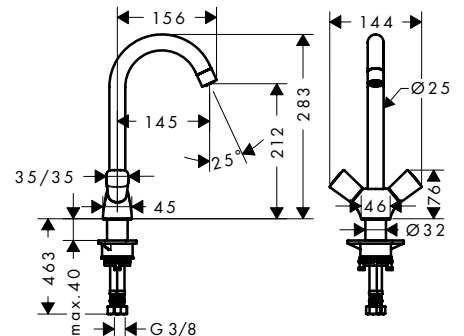
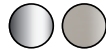
2-handle kitchen mixer 220, 1jet  
# 71280, -000



**Additional products**



A41 Soap-/lotion dispenser  
# 40438, -000, -800





**Features**

- ComfortZone 160
- swivel range 360°
- normal spray
- connection dimension: DN15
- flow rate 12 l/min
- ceramic cartridge
- connection type: G 3/8 connections
- suitable for continuous flow water heaters

**Logis M31**

Single lever kitchen mixer 160, 1jet  
# 71832, -000

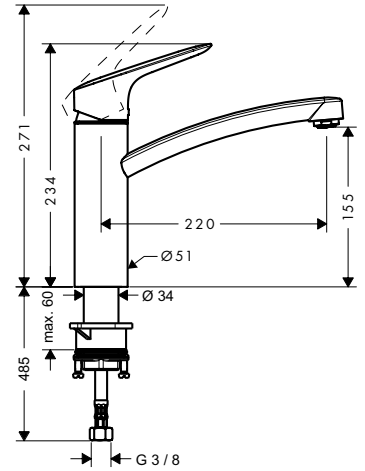
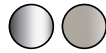
Single lever kitchen mixer 160, Eco, 1jet  
# 71860, -000 (not shown)



**Additional products**



A41 Soap-/lotion dispenser  
# 40438, -000, -800



**Features**

- ComfortZone 160
- swivel range 150°
- installation in front of the window, can be laid flat, base height 51 mm
- normal spray
- connection dimension: DN15
- flow rate 12 l/min
- ceramic cartridge
- connection type: G 3/8 connections
- suitable for continuous flow water heaters

**Logis M31**

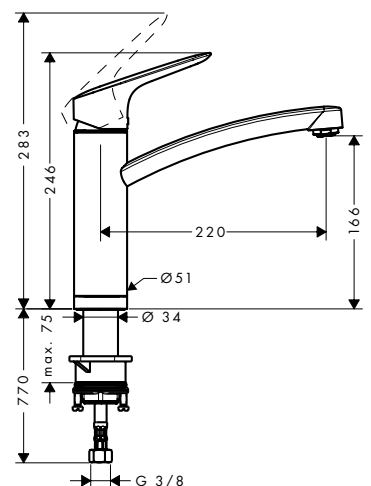
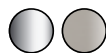
Single lever kitchen mixer 160, installation in front of a window, 1jet  
# 71833, -000



**Additional products**



A41 Soap-/lotion dispenser  
# 40438, -000, -800





**Logis M31**

Single lever kitchen mixer 160,  
CoolStart, EcoSmart, 1jet  
# 71839, -000



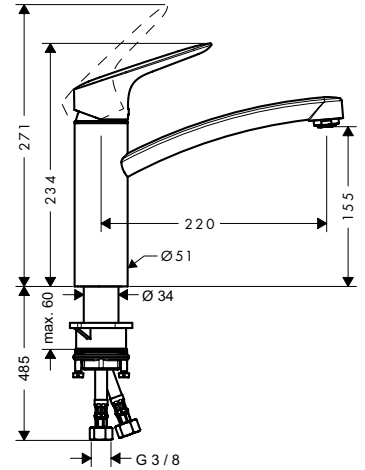
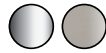
**Features**

- ComfortZone 160
- cold water in middle position
- swivel range 360°
- normal spray
- connection dimension: DN15
- flow rate 12 l/min
- ceramic cartridge
- connection type: G 3/8 connections
- suitable for continuous flow water heaters

**Additional products**



A41 Soap-/lotion dispenser  
# 40438, -000, -800



**Logis M31**

Single lever kitchen mixer 220,  
device shut-off valve, 1jet  
# 71834, -000



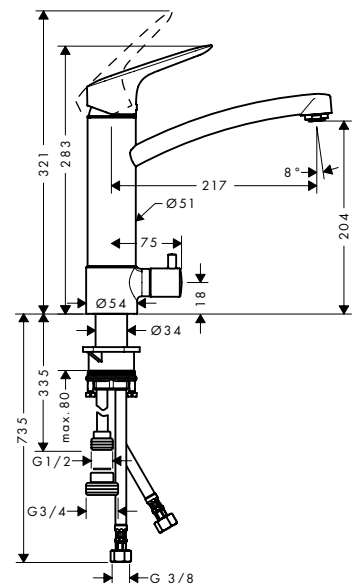
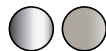
**Features**

- ComfortZone 220
- swivel range 120°
- normal spray
- connection dimension: DN15
- flow rate 12 l/min
- ceramic cartridge
- connection type: G 3/8 connections
- suitable for continuous flow water heaters

**Additional products**



A41 Soap-/lotion dispenser  
# 40438, -000, -800





**Features**

- ComfortZone 120
- swivel range 360°
- normal spray
- connection dimension: DN15
- flow rate 12 l/min
- ceramic cartridge
- connection type: G 3/8 connections
- suitable for continuous flow water heaters

**Logis M31**

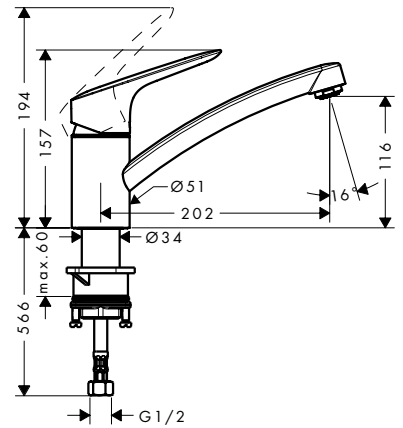
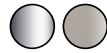
Single lever kitchen mixer 120, 1jet  
# 71830, -000



**Additional products**



A41 Soap-/lotion dispenser  
# 40438, -000, -800



**Features**

- ComfortZone 120
- swivel range 360°
- normal spray
- connection dimension: DN15
- flow rate 5 l/min
- ceramic cartridge
- connection type: G 3/8 connections
- not suitable for continuous flow water heaters

**Logis M31**

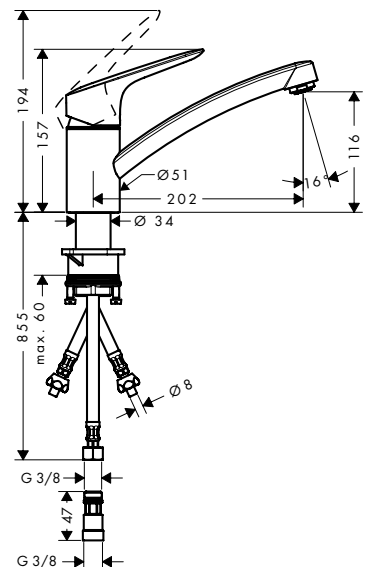
Single lever kitchen mixer 120,  
LowPressure/vented hot water cylinders,  
1jet  
# 71831, -000



**Additional products**



A41 Soap-/lotion dispenser  
# 40438, -000, -800





**Logis M31**

Single lever kitchen mixer 120,  
CoolStart, EcoSmart, 1jet  
# 71837, -000



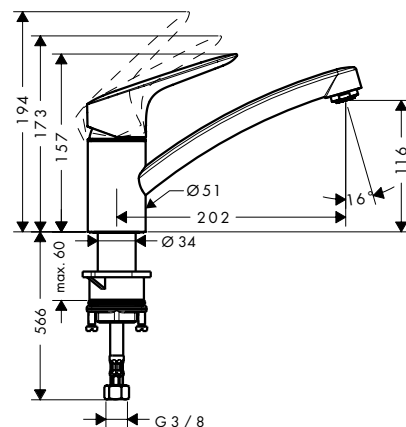
**Features**

- ComfortZone 120
- cold water in middle position
- swivel range 360°
- normal spray
- connection dimension: DN15
- flow rate 12 l/min
- ceramic cartridge
- connection type: G 3/8 connections
- suitable for continuous flow water heaters

**Additional products**



A41 Soap-/lotion dispenser  
# 40438, -000, -800



**Features**

- swivel range 220°
- normal spray
- centre distance 150 ± 12 mm
- connection dimension: DN15
- flow rate 13 l/min
- ceramic cartridge
- connection type: s-shaped connections
- suitable for continuous flow water heaters



**Logis M31**

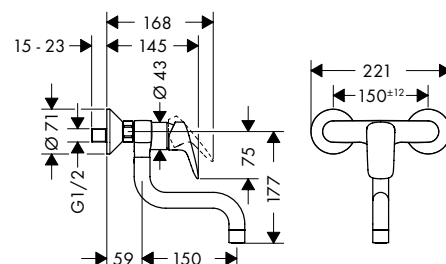
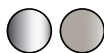
Single lever kitchen mixer,  
wall-mounted lowspout, 1jet  
# 71836, -000



**Additional products**



A41 Soap-/lotion dispenser  
# 40438, -000, -800



# LOGIS M32

---

Classic design, modern execution





**Features**

- ComfortZone 220
- swivel range adjustable in 3 steps 110°, 150° or 360°
- normal spray
- connection dimension: DN15
- flow rate 12 l/min
- ceramic valves 90°
- connection type: G 3/8 connections
- suitable for continuous flow water heaters

**Logis M32**

2-handle kitchen mixer 220, 1jet  
# 71285, -000

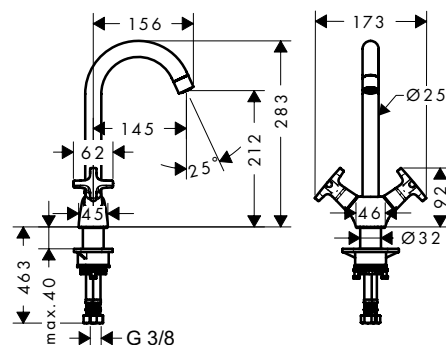
2-handle kitchen mixer 220, Eco, 1jet  
# 71283, -000 (not shown)



**Additional products**



A41 Soap-/lotion dispenser  
# 40438, -000, -800



**Features**

- swivel range 360°
- normal spray
- centre distance 150 ± 12 mm
- connection dimension: DN15
- flow rate 12 l/min
- ceramic valves 90°
- connection type: s-shaped connections
- suitable for continuous flow water heaters



**Logis M32**

2-handle kitchen mixer, wall-mounted, highspout, 1jet  
# 71286, -000

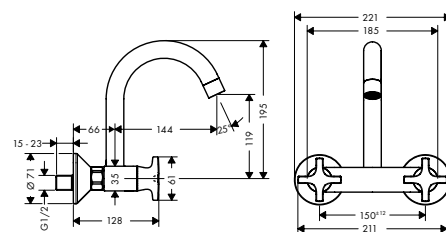
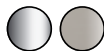
2-handle kitchen mixer, Eco, wall-mounted highspout, 1jet  
# 71284, -000 (not shown)



**Additional products**



A41 Soap-/lotion dispenser  
# 40438, -000, -800







**Features**

- normal spray
- centre distance 150 ± 12 mm
- connection dimension: DN15
- flow rate 12 l/min
- ceramic valves 90°
- connection type: s-shaped connections
- suitable for continuous flow water heaters

**Logis M32**

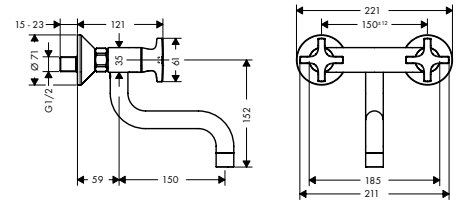
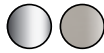
2-handle kitchen mixer,  
wall-mounted lowspout, 1jet  
# 71287, -000







**Additional products**



A41 Soap-/lotion dispenser  
# 40438, -000, -800



# Stainless steel sink combi units overview

Base unit		60 cm	
			
Variants	Standard with sBox	43201, -000, -800	43205, -000, -800 43230, -000, -800
Installation type	Surface-mounted installation	■	■
	Flush-mounted installation	■	■
	Base unit installation		
Features	Kitchen taps	73804, -000, -800	73804, -000, -800
	Select	■	■
	Change jet types		
	With pull-out function	■	■
	With swivel spout	■	■
			
Variants	Standard with sBox	43207, -000, -800	43208, -000, -800 43229, -000, -800
Installation type	Surface-mounted installation	■	■
	Flush-mounted installation	■	■
	Base unit installation		
Features	Kitchen taps	73805, -000, -800	73805, -000, -800
	Select	■	■
	Change jet types	■	■
	With pull-out function	■	■
	With swivel spout	■	■

For the entire range, turn to

from page 151

from page 152

**80 cm**

**90 cm**



43202, -000, -800

43206, -000, -800

43203, -000, -800



73804, -000, -800

73804, -000, -800

73804, -000, -800



43209, -000, -800

43210, -000, -800

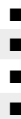
43211, -000, -800



73806, -000, -800

73806, -000, -800

73806, -000, -800







from page 153

from page 154

from page 155

# SilicaTec sink combi units overview

Base unit		60 cm	
			
Variants	Standard with sBox	43217, -000	43219, -000 43228, -000
Installation type	Surface-mounted installation	■	■
	Flush-mounted installation		
	Base unit installation		
Features	Kitchen taps	73804, -000	73804, -000
	Select	■	■
	Change jet types		
	With pull-out function	■	■
	With swivel spout	■	■
			
Variants	Standard with sBox	43212, -000	43214, -000 43227, -000
Installation type	Surface-mounted installation	■	■
	Flush-mounted installation		
	Base unit installation		
Features	Kitchen taps	73805, -000	73805, -000
	Select	■	■
	Change jet types	■	■
	With pull-out function	■	■
	With swivel spout	■	■

For the entire range, turn to

from page 157

from page 158

**80 cm**

**90 cm**



43218, -000



43220, -000



43221, -000



73804, -000



73804, -000



73804, -000



43213, -000



43215, -000



43216, -000



73806, -000



73806, -000



73806, -000



from page 159

from page 160

from page 161

# STAINLESS STEEL C71

A sleek look with stainless steel



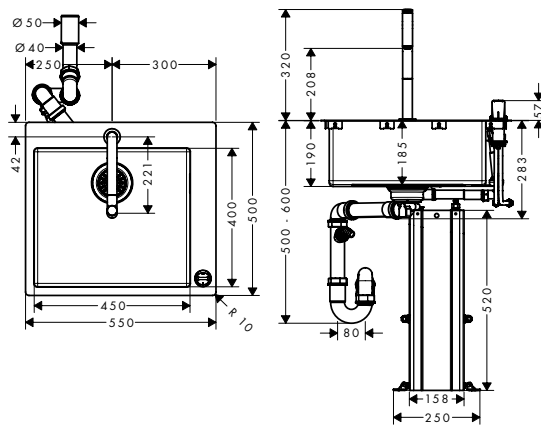


**C71**  
C71-F450-06 Sink combi 450  
# 43201, -000, -800



**Features**

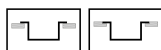
- consists of: built-in sink, 2-hole single lever kitchen mixer, control unit, hose box, manual waste and overflow set
- material sink: stainless steel
- number of bowls: 1 main bowl
- tap hole and hole for control unit are pre-drilled
- sink depth: 190 mm
- cut-out dimensions: 530 x 480 mm
- cabinet size: 60 cm
- type of installation: flat on the countertop (self-rimming) or flush-mount installation
- position overflow: on the right side of the bowl
- tap ledge reinforcing for a tight and stable seating of the kitchen mixer
- corner radius: 10 mm
- connection type: G 3/8 connections
- connection dimension: DN15
- flow rate 8 l/min
- suitable for continuous flow water heaters
- ceramic cartridge
- MagFit magnetic shower support
- integrated non-return valve
- swivel range 150°
- normal spray
- ComfortZone 200
- Select button for a comfortable start/stop of the water flow
- sBox for quiet, smooth and protected hose guidance in the cabinet, under the countertop, with extension length up to 76 cm



**Base unit**

**60 cm**

**Installation type**

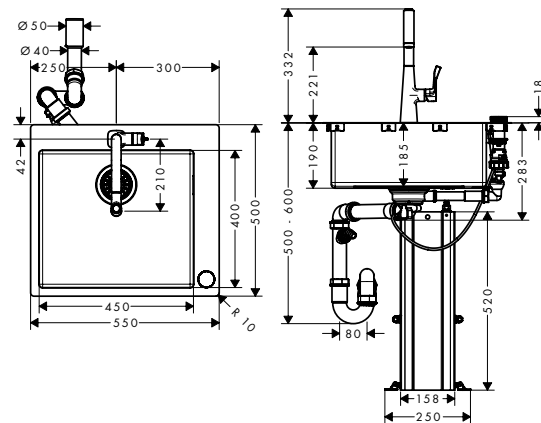


**C71**  
C71-F450-01 Sink combi 450 Select  
# 43207, -000, -800



**Features**

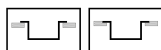
- consists of: built-in sink, 2-hole single lever kitchen mixer, control unit, hose box, automatic waste and overflow set
- material sink: stainless steel
- number of bowls: 1 main bowl
- tap hole and hole for control unit are pre-drilled
- sink depth: 190 mm
- cut-out dimensions: 530 x 480 mm
- cabinet size: 60 cm
- type of installation: flat on the countertop (self-rimming) or flush-mount installation
- position overflow: on the right side of the bowl
- tap ledge reinforcing for a tight and stable seating of the kitchen mixer
- corner radius: 10 mm
- connection type: G 3/8 connections
- connection dimension: DN15
- flow rate 7 l/min
- suitable for continuous flow water heaters
- ceramic cartridge
- MagFit magnetic shower support
- integrated non-return valve
- swivel range adjustable in 2 steps to 110° or 150°
- laminar spray and shower spray
- ComfortZone 220
- lockable shower spray, spray returns automatically through handle closing
- sBox for quiet, smooth and protected hose guidance in the cabinet, under the countertop, with extension length up to 76 cm
- push of control unit: intuitive start and stop function of the water flow, turn: automatic drain operation



**Base unit**

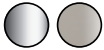
**60 cm**

**Installation type**

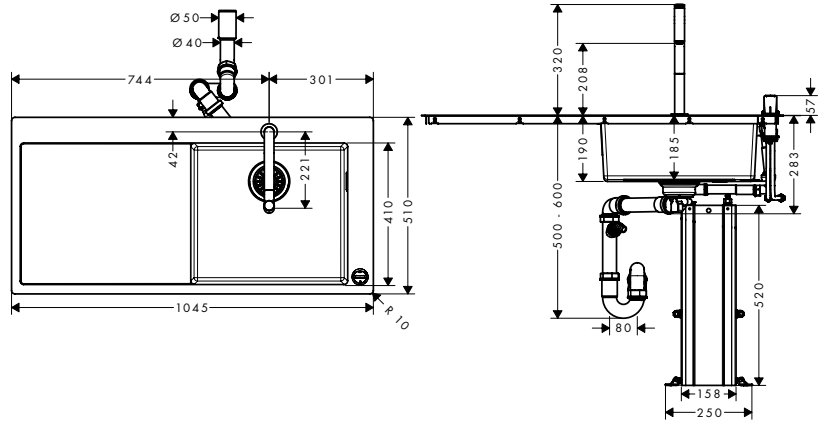
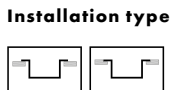




**C71**  
 C71-F450-07 Sink combi 450  
 with drainboard left  
 # 43205, -000, -800  
 C71-F450-12 Sink combi 450  
 with drainboard right  
 # 43230, -000, -800 (not shown)



**Base unit**  
**60 cm**



**Features**

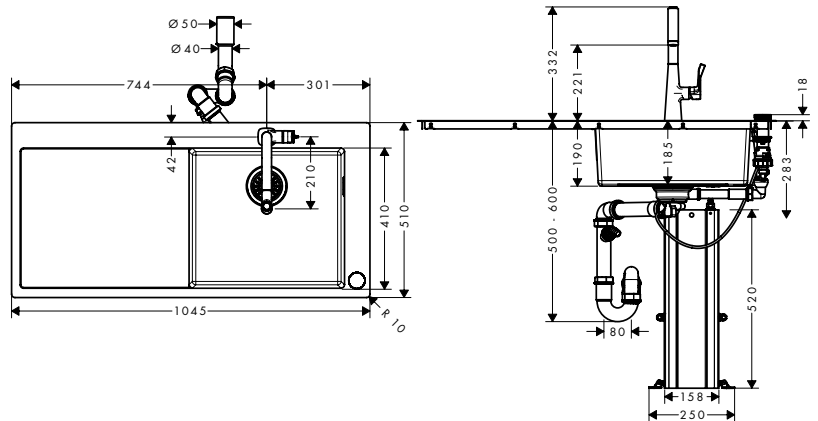
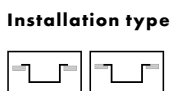
- consists of: built-in sink, 2-hole single lever kitchen mixer, control unit, hose box, manual waste and overflow set
- for installation in worktops from 25 mm
- material sink: stainless steel
- number of bowls: 1 main bowl
- with drainage
- tap hole and hole for control unit are pre-drilled
- orientation: bowl right
- sink depth: 190 mm
- cut-out dimensions: 1025 x 490 mm
- cabinet size: 60 cm
- type of installation: flat on the countertop (self-rimming) or flush-mount installation
- position overflow: on the right side of the bowl
- tap ledge reinforcing for a tight and stable seating of the kitchen mixer
- corner radius: 10 mm
- connection type: G 3/8 connections
- connection dimension: DN15
- flow rate 8 l/min
- suitable for continuous flow water heaters
- ceramic cartridge
- MagFit magnetic shower support
- integrated non-return valve
- swivel range 150°
- normal spray
- ComfortZone 200
- Select button for a comfortable start/stop of the water flow
- sBox for quiet, smooth and protected hose guidance in the cabinet, under the countertop, with extension length up to 76 cm



**C71**  
 C71-F450-02 Sink combi 450 Select  
 with drainboard left  
 # 43208, -000, -800  
 C71-F450-11 Sink combi 450 Select  
 with drainboard right  
 # 43229, -000, -800 (not shown)



**Base unit**  
**60 cm**



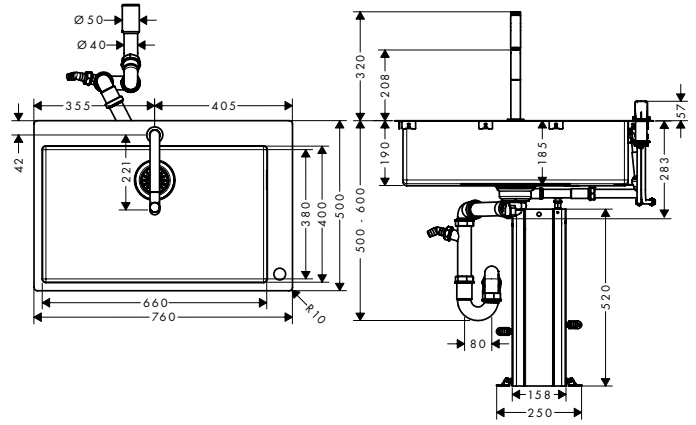
**Features**

- consists of: built-in sink, 2-hole single lever kitchen mixer, control unit, hose box, automatic waste and overflow set
- for installation in worktops from 25 mm
- material sink: stainless steel
- number of bowls: 1 main bowl
- with drainage
- tap hole and hole for control unit are pre-drilled
- orientation: bowl right
- sink depth: 190 mm
- cut-out dimensions: 1025 x 490 mm
- cabinet size: 60 cm
- type of installation: flat on the countertop (self-rimming) or flush-mount installation
- position overflow: on the right side of the bowl
- tap ledge reinforcing for a tight and stable seating of the kitchen mixer
- corner radius: 10 mm
- connection type: G 3/8 connections
- connection dimension: DN15
- flow rate 7 l/min
- suitable for continuous flow water heaters
- ceramic cartridge
- MagFit magnetic shower support
- integrated non-return valve
- swivel range adjustable in 2 steps to 110° or 150°
- laminar spray and shower spray
- ComfortZone 220
- lockable shower spray, spray returns automatically through handle closing
- sBox for quiet, smooth and protected hose guidance in the cabinet, under the countertop, with extension length up to 76 cm
- push of control unit: intuitive start and stop function of the water flow, turn: automatic drain operation





**C71**  
C71-F660-08 Sink combi 660  
# 43202, -000, -800



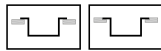
**Features**

- consists of: built-in sink, 2-hole single lever kitchen mixer, control unit, hose box, manual waste and overflow set
- material sink: stainless steel
- number of bowls: 1 main bowl
- tap hole and hole for control unit are pre-drilled
- sink depth: 190 mm
- cut-out dimensions: 740 x 480 mm
- cabinet size: 80 cm
- type of installation: flat on the countertop (self-rimming) or flush-mount installation
- position overflow: on the right side of the bowl
- tap ledge reinforcing for a tight and stable seating of the kitchen mixer
- corner radius: 10 mm
- connection type: G 3/8 connections
- connection dimension: DN15
- flow rate 8 l/min
- suitable for continuous flow water heaters
- ceramic cartridge
- MagFit magnetic shower support
- integrated non-return valve
- swivel range 150°
- normal spray
- ComfortZone 200
- Select button for a comfortable start/stop of the water flow
- sBox for quiet, smooth and protected hose guidance in the cabinet, under the countertop, with extension length up to 76 cm

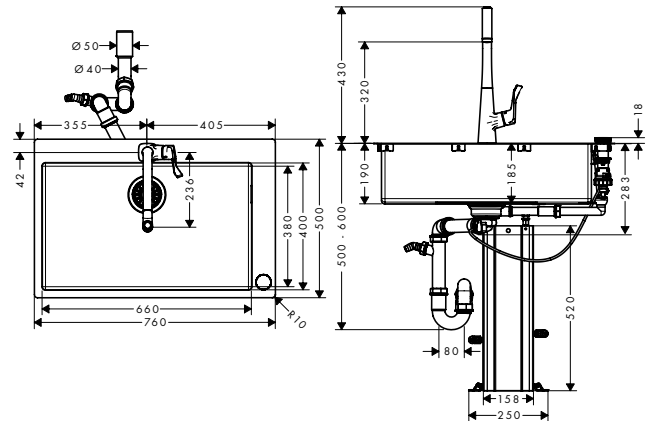
**Base unit**

**80 cm**

**Installation type**



**C71**  
C71-F660-03 Sink combi 660 Select  
# 43209, -000, -800



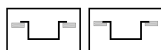
**Features**

- consists of: built-in sink, 2-hole single lever kitchen mixer, control unit, hose box, automatic waste and overflow set
- material sink: stainless steel
- number of bowls: 1 main bowl
- tap hole and hole for control unit are pre-drilled
- sink depth: 190 mm
- cut-out dimensions: 740 x 480 mm
- cabinet size: 80 cm
- type of installation: flat on the countertop (self-rimming) or flush-mount installation
- position overflow: on the right side of the bowl
- tap ledge reinforcing for a tight and stable seating of the kitchen mixer
- corner radius: 10 mm
- connection type: G 3/8 connections
- connection dimension: DN15
- flow rate 7 l/min
- suitable for continuous flow water heaters
- ceramic cartridge
- MagFit magnetic shower support
- integrated non-return valve
- swivel range adjustable in 2 steps to 110° or 150°
- laminar spray and shower spray
- ComfortZone 320
- lockable shower spray, spray returns automatically through handle closing
- sBox for quiet, smooth and protected hose guidance in the cabinet, under the countertop, with extension length up to 76 cm
- push of control unit: intuitive start and stop function of the water flow, turn: automatic drain operation

**Base unit**

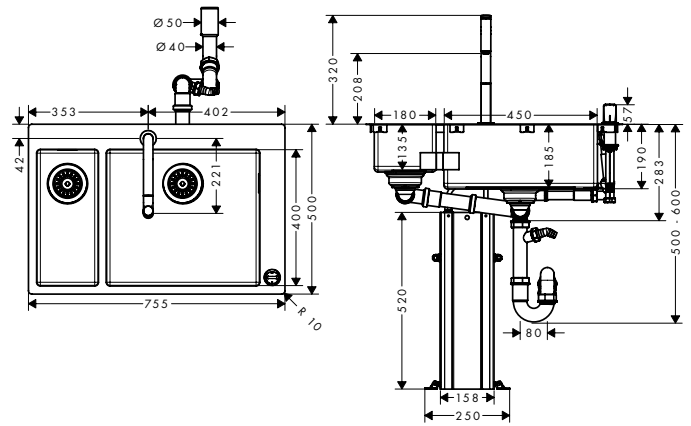
**80 cm**

**Installation type**





**C71**  
C71-F655-09 Sink combi 180/450  
# 43206, -000, -800



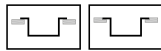
**Features**

- consists of: built-in sink, 2-hole single lever kitchen mixer, control unit, hose box, manual waste and overflow set
- material sink: stainless steel
- number of bowls: 1 main bowl and 1 additional bowl
- tap hole and hole for control unit are pre-drilled
- sink depth: 190 mm
- cut-out dimensions: 735 x 480 mm
- cabinet size: 80 cm
- type of installation: flat on the countertop (self-rimming) or flush-mount installation
- position overflow: on the right side of the main bowl
- tap ledge reinforcing for a tight and stable seating of the kitchen mixer
- corner radius: 10 mm
- connection type: G 3/8 connections
- connection dimension: DN15
- flow rate 8 l/min
- suitable for continuous flow water heaters
- ceramic cartridge
- MagFit magnetic shower support
- integrated non-return valve
- swivel range 150°
- normal spray
- ComfortZone 200
- Select button for a comfortable start/stop of the water flow
- sBox for quiet, smooth and protected hose guidance in the cabinet, under the countertop, with extension length up to 76 cm

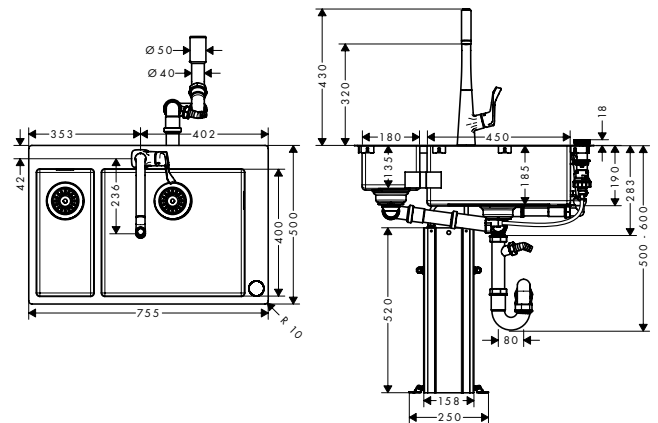
Base unit

**80 cm**

Installation type



**C71**  
C71-F655-04 Sink combi 180/450 Select  
# 43210, -000, -800



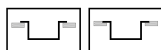
**Features**

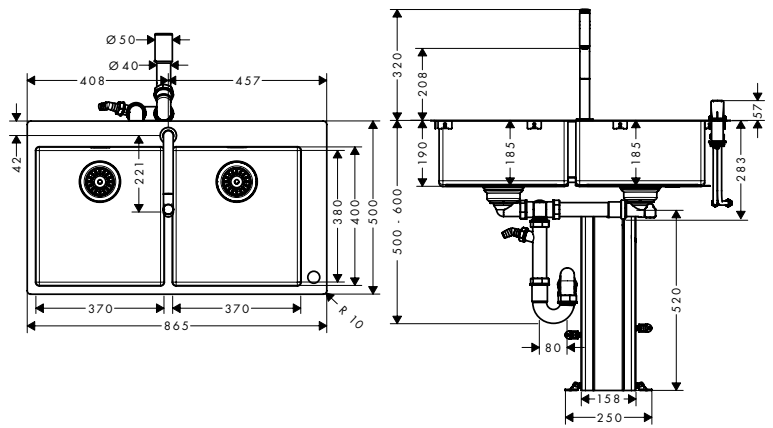
- consists of: built-in sink, 2-hole single lever kitchen mixer, control unit, hose box, automatic waste and overflow set
- material sink: stainless steel
- number of bowls: 1 main bowl and 1 additional bowl
- tap hole and hole for control unit are pre-drilled
- sink depth: 190 mm
- cut-out dimensions: 735 x 480 mm
- cabinet size: 80 cm
- type of installation: flat on the countertop (self-rimming) or flush-mount installation
- position overflow: on the right side of the main bowl
- tap ledge reinforcing for a tight and stable seating of the kitchen mixer
- corner radius: 10 mm
- connection type: G 3/8 connections
- connection dimension: DN15
- flow rate 7 l/min
- suitable for continuous flow water heaters
- ceramic cartridge
- MagFit magnetic shower support
- integrated non-return valve
- swivel range adjustable in 2 steps to 110° or 150°
- laminar spray and shower spray
- ComfortZone 320
- lockable shower spray, spray returns automatically through handle closing
- sBox for quiet, smooth and protected hose guidance in the cabinet, under the countertop, with extension length up to 76 cm
- push of control unit: intuitive start and stop function of the water flow, turn: automatic drain operation

Base unit

**80 cm**

Installation type





**C71**

C71-F765-10 Sink combi 370/370  
# 43203, -000, -800



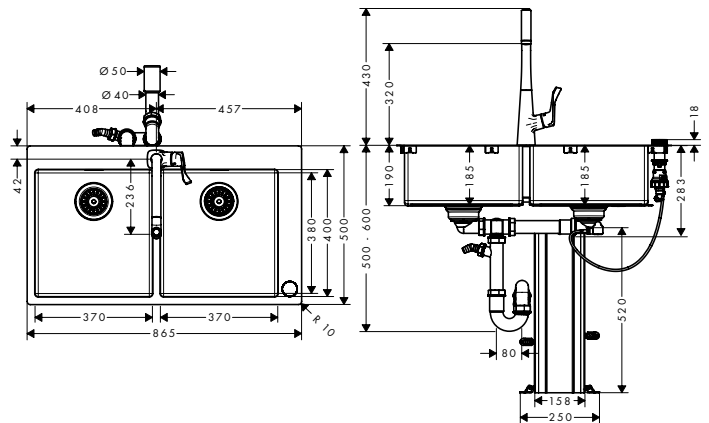
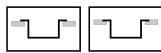
**Features**

- consists of: built-in sink, 2-hole single lever kitchen mixer, control unit, hose box, manual waste and overflow set
- material sink: stainless steel
- number of bowls: 2 main bowls
- tap hole and hole for control unit are pre-drilled
- sink depth: 190 mm
- cut-out dimensions: 840 x 480 mm
- cabinet size: 90 cm
- type of installation: flat on the countertop (self-rimming) or flush-mount installation
- tap ledge reinforcing for a tight and stable seating of the kitchen mixer
- corner radius: 10 mm
- connection type: G 3/8 connections
- connection dimension: DN15
- flow rate 8 l/min
- suitable for continuous flow water heaters
- ceramic cartridge
- MagFit magnetic shower support
- integrated non-return valve
- swivel range 150°
- normal spray
- ComfortZone 200
- Select button for a comfortable start/stop of the water flow
- sBox for quiet, smooth and protected hose guidance in the cabinet, under the countertop, with extension length up to 76 cm

**Base unit**

**90 cm**

**Installation type**



**C71**

C71-F765-05 Sink combi 370/370 Select  
# 43211, -000, -800



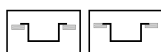
**Features**

- consists of: built-in sink, 2-hole single lever kitchen mixer, control unit, hose box, automatic waste and overflow set
- material sink: stainless steel
- number of bowls: 2 main bowls
- tap hole and hole for control unit are pre-drilled
- sink depth: 190 mm
- cut-out dimensions: 845 x 480 mm
- cabinet size: 90 cm
- type of installation: flat on the countertop (self-rimming) or flush-mount installation
- tap ledge reinforcing for a tight and stable seating of the kitchen mixer
- corner radius: 10 mm
- connection type: G 3/8 connections
- connection dimension: DN15
- flow rate 7 l/min
- suitable for continuous flow water heaters
- ceramic cartridge
- MagFit magnetic shower support
- integrated non-return valve
- swivel range adjustable in 2 steps to 110° or 150°
- laminar spray and shower spray
- ComfortZone 320
- lockable shower spray, spray returns automatically through handle closing
- sBox for quiet, smooth and protected hose guidance in the cabinet, under the countertop, with extension length up to 76 cm
- push of control unit: intuitive start and stop function of the water flow, turn: automatic drain operation

**Base unit**

**90 cm**

**Installation type**



# SILICATEC C51

---

A contemporary feel with SilicaTec



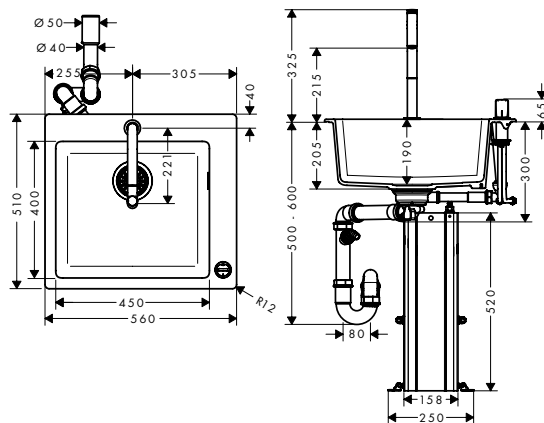


**C51**  
C51-F450-06 Sink combi 450  
# 43217, -000



**Features**

- consists of: built-in sink, 2-hole single lever kitchen mixer, control unit, hose box, manual waste and overflow set
- material sink: SilicaTec
- number of bowls: 1 main bowl
- tap hole for drilling is predefined (see scale drawing)
- sink depth: 190 mm
- cut-out dimensions: 540 x 490 mm
- cabinet size: 60 cm
- type of installation: topmount
- position overflow: on the right side of the bowl
- connection type: G 3/8 connections
- connection dimension: DN15
- flow rate 8 l/min
- suitable for continuous flow water heaters
- ceramic cartridge
- MagFit magnetic shower support
- integrated non-return valve
- swivel range 150°
- normal spray
- ComfortZone 200
- Select button for a comfortable start/stop of the water flow
- sBox for quiet, smooth and protected hose guidance in the cabinet, under the countertop, with extension length up to 76 cm



**Base unit**

**60 cm**

**Installation type**

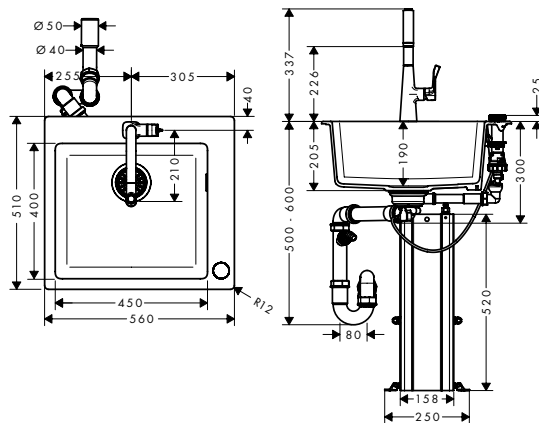


**C51**  
C51-F450-01 Sink combi 450 Select  
# 43212, -000



**Features**

- consists of: built-in sink, 2-hole single lever kitchen mixer, control unit, hose box, automatic waste and overflow set
- material sink: SilicaTec
- number of bowls: 1 main bowl
- tap hole for drilling is predefined (see scale drawing)
- sink depth: 190 mm
- cut-out dimensions: 540 x 490 mm
- cabinet size: 60 cm
- type of installation: topmount
- position overflow: on the right side of the bowl
- connection type: G 3/8 connections
- connection dimension: DN15
- flow rate 7 l/min
- suitable for continuous flow water heaters
- ceramic cartridge
- MagFit magnetic shower support
- integrated non-return valve
- swivel range adjustable in 2 steps to 110° or 150°
- laminar spray and shower spray
- ComfortZone 220
- lockable shower spray, spray returns automatically through handle closing
- sBox for quiet, smooth and protected hose guidance in the cabinet, under the countertop, with extension length up to 76 cm
- push of control unit: intuitive start and stop function of the water flow, turn: automatic drain operation



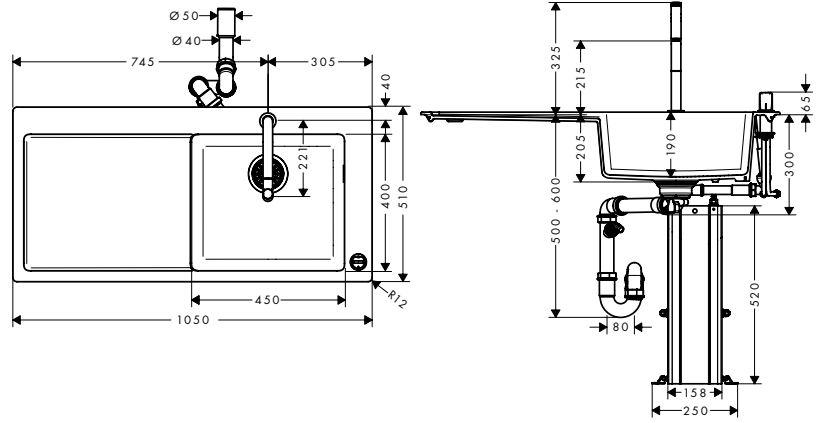
**Base unit**

**60 cm**

**Installation type**



Sink combi units



**C51**

C51-F450-08 Sink combi 450 with drainboard left # 43219, -000

C51-F450-12 Sink combi 450 with drainboard right # 43228, -000 (not shown)



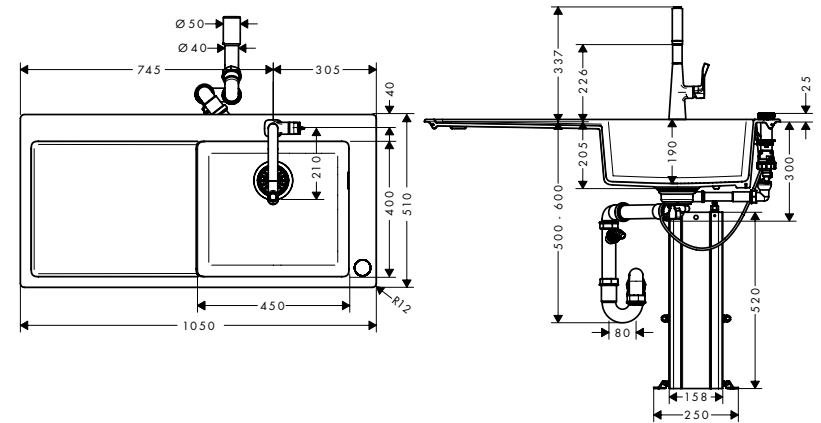
**Features**

- consists of: built-in sink, 2-hole single lever kitchen mixer, control unit, hose box, manual waste and overflow set
- for installation in worktops from 20 mm
- material sink: SilicaTec
- number of bowls: 1 main bowl
- with drainage
- tap hole for drilling is predefined (see scale drawing)
- orientation: bowl right
- sink depth: 190 mm
- cut-out dimensions: 1030 x 490 mm
- cabinet size: 60 cm
- type of installation: topmount
- position overflow: on the right side of the bowl
- connection type: G 3/8 connections
- connection dimension: DN15
- flow rate 8 l/min
- suitable for continuous flow water heaters
- ceramic cartridge
- MagFit magnetic shower support
- integrated non-return valve
- swivel range 150°
- normal spray
- ComfortZone 200
- Select button for a comfortable start/stop of the water flow
- sBox for quiet, smooth and protected hose guidance in the cabinet, under the countertop, with extension length up to 76 cm

Base unit

**60 cm**

Installation type



**C51**

C51-F450-03 Sink combi 450 Select with drainboard left # 43214, -000

C51-F450-11 Sink combi 450 Select with drainboard right # 43227, -000 (not shown)



**Features**

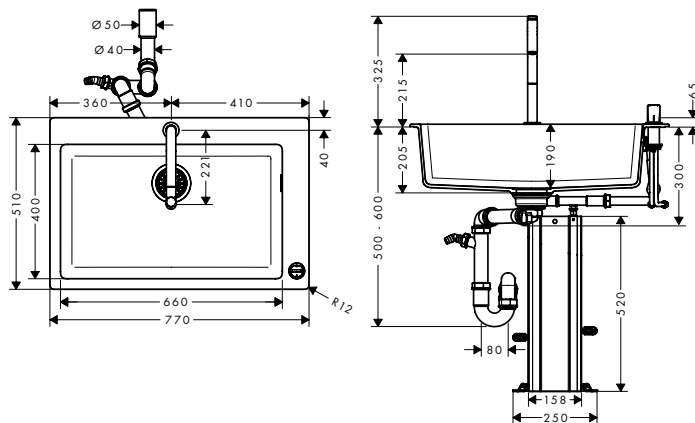
- consists of: built-in sink, 2-hole single lever kitchen mixer, control unit, hose box, automatic waste and overflow set
- for installation in worktops from 20 mm
- material sink: SilicaTec
- number of bowls: 1 main bowl
- with drainage
- tap hole for drilling is predefined (see scale drawing)
- orientation: bowl right
- sink depth: 190 mm
- cut-out dimensions: 1030 x 490 mm
- cabinet size: 60 cm
- type of installation: topmount
- position overflow: on the right side of the bowl
- connection type: G 3/8 connections
- connection dimension: DN15
- flow rate 7 l/min
- suitable for continuous flow water heaters
- ceramic cartridge
- MagFit magnetic shower support
- integrated non-return valve
- swivel range adjustable in 2 steps to 110° or 150°
- laminar spray and shower spray
- ComfortZone 220
- lockable shower spray, spray returns automatically through handle closing
- sBox for quiet, smooth and protected hose guidance in the cabinet, under the countertop, with extension length up to 76 cm
- push of control unit: intuitive start and stop function of the water flow, turn: automatic drain operation

Base unit

**60 cm**

Installation type





**C51**  
C51-F660-07 Sink combi 660  
# 43218, -000



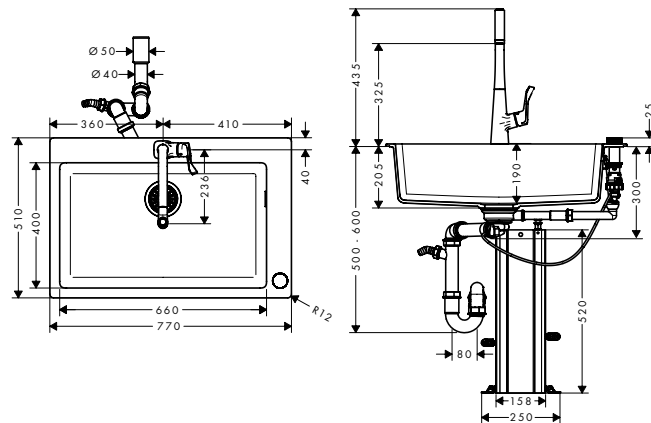
**Features**

- consists of: built-in sink, 2-hole single lever kitchen mixer, control unit, hose box, manual waste and overflow set
- material sink: SilicaTec
- number of bowls: 1 main bowl
- tap hole for drilling is predefined (see scale drawing)
- sink depth: 190 mm
- cut-out dimensions: 750 x 490 mm
- cabinet size: 80 cm
- type of installation: topmount
- position overflow: on the right side of the bowl
- connection type: G 3/8 connections
- connection dimension: DN15
- flow rate 8 l/min
- suitable for continuous flow water heaters
- ceramic cartridge
- MagFit magnetic shower support
- integrated non-return valve
- swivel range 150°
- normal spray
- ComfortZone 200
- Select button for a comfortable start/stop of the water flow
- sBox for quiet, smooth and protected hose guidance in the cabinet, under the countertop, with extension length up to 76 cm

**Base unit**

**80 cm**

**Installation type**



**C51**  
C51-F660-02 Sink combi 660 Select  
# 43213, -000



**Features**

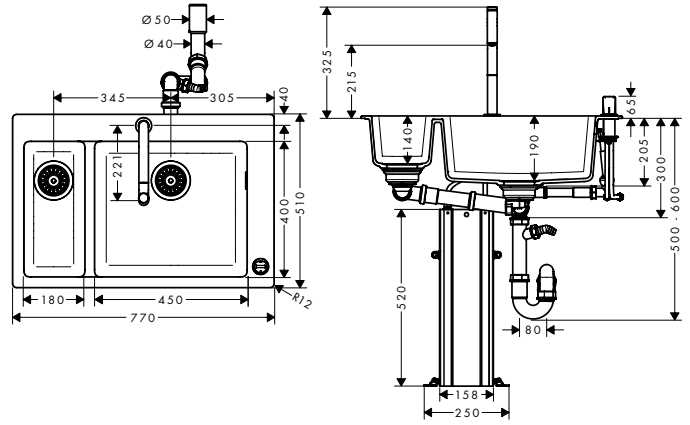
- consists of: built-in sink, 2-hole single lever kitchen mixer, control unit, hose box, automatic waste and overflow set
- material sink: SilicaTec
- number of bowls: 1 main bowl
- tap hole for drilling is predefined (see scale drawing)
- sink depth: 190 mm
- cut-out dimensions: 750 x 490 mm
- cabinet size: 80 cm
- type of installation: topmount
- position overflow: on the right side of the bowl
- connection type: G 3/8 connections
- connection dimension: DN15
- flow rate 8 l/min
- suitable for continuous flow water heaters
- ceramic cartridge
- MagFit magnetic shower support
- integrated non-return valve
- swivel range adjustable in 2 steps to 110° or 150°
- laminar spray and shower spray
- ComfortZone 320
- lockable shower spray, spray returns automatically through handle closing
- sBox for quiet, smooth and protected hose guidance in the cabinet, under the countertop, with extension length up to 76 cm
- push of control unit: intuitive start and stop function of the water flow, turn: automatic drain operation

**Base unit**

**80 cm**

**Installation type**





**C51**

C51-F635-09 Sink combi 180/450  
# 43220, -000



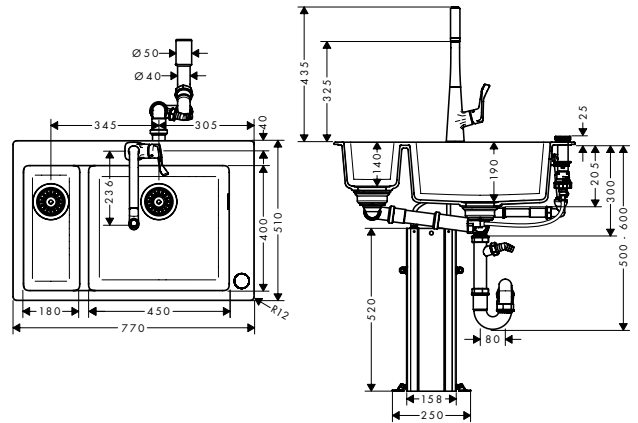
**Features**

- consists of: built-in sink, 2-hole single lever kitchen mixer, control unit, hose box, manual waste and overflow set
- material sink: SilicaTec
- number of bowls: 1 main bowl and 1 additional bowl
- tap hole for drilling is predefined (see scale drawing)
- sink depth: 190 mm
- cut-out dimensions: 750 x 490 mm
- cabinet size: 80 cm
- type of installation: topmount
- position overflow: on the right side of the main bowl
- connection type: G 3/8 connections
- connection dimension: DN15
- flow rate 8 l/min
- suitable for continuous flow water heaters
- ceramic cartridge
- MagFit magnetic shower support
- integrated non-return valve
- swivel range 150°
- normal spray
- ComfortZone 200
- Select button for a comfortable start/stop of the water flow
- sBox for quiet, smooth and protected hose guidance in the cabinet, under the countertop, with extension length up to 76 cm

Base unit

**80 cm**

Installation type



**C51**

C51-F635-04 Sink combi 180/450 Select  
# 43215, -000



**Features**

- consists of: built-in sink, 2-hole single lever kitchen mixer, control unit, hose box, automatic waste and overflow set
- material sink: SilicaTec
- number of bowls: 1 main bowl and 1 additional bowl
- tap hole for drilling is predefined (see scale drawing)
- sink depth: 190 mm
- cut-out dimensions: 750 x 490 mm
- cabinet size: 80 cm
- type of installation: topmount
- position overflow: on the right side of the main bowl
- connection type: G 3/8 connections
- connection dimension: DN15
- flow rate 8 l/min
- suitable for continuous flow water heaters
- ceramic cartridge
- MagFit magnetic shower support
- integrated non-return valve
- swivel range adjustable in 2 steps to 110° or 150°
- laminar spray and shower spray
- ComfortZone 320
- lockable shower spray, spray returns automatically through handle closing
- sBox for quiet, smooth and protected hose guidance in the cabinet, under the countertop, with extension length up to 76 cm
- push of control unit: intuitive start and stop function of the water flow, turn: automatic drain operation

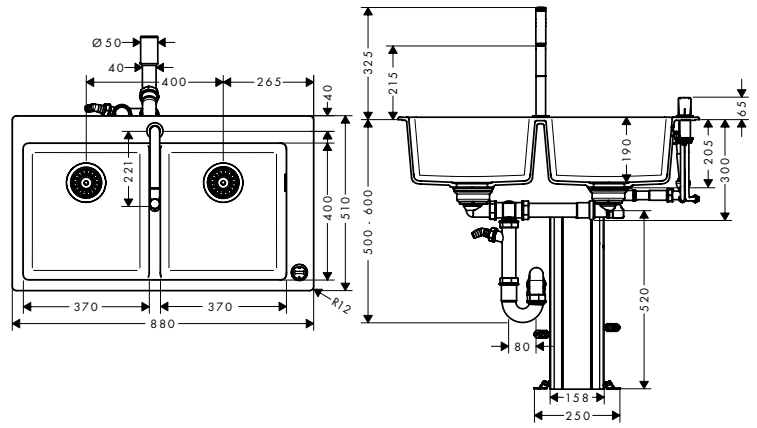
Base unit

**80 cm**

Installation type







**C51**  
C51-F770-10 Sink combi 370/370  
# 43221, -000



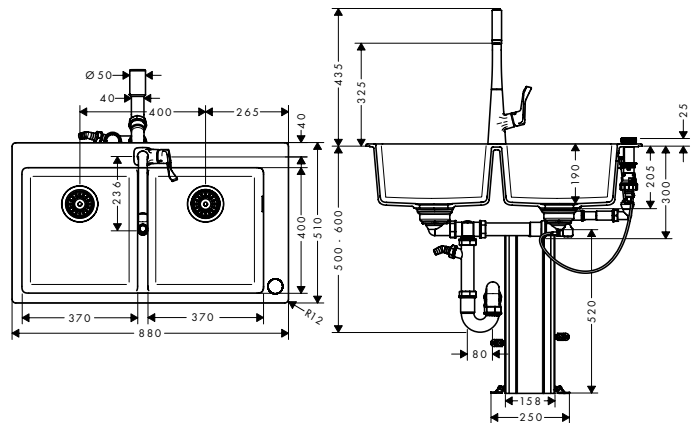
**Features**

- consists of: built-in sink, 2-hole single lever kitchen mixer, control unit, hose box, manual waste and overflow set
- material sink: SilicaTec
- number of bowls: 2 main bowls
- tap hole for drilling is predefined (see scale drawing)
- sink depth: 190 mm
- cut-out dimensions: 860 x 490 mm
- cabinet size: 90 cm
- type of installation: topmount
- position overflow: on the right side of the bowl
- connection type: G 3/8 connections
- connection dimension: DN15
- flow rate 8 l/min
- suitable for continuous flow water heaters
- ceramic cartridge
- MagFit magnetic shower support
- integrated non-return valve
- swivel range 150°
- normal spray
- ComfortZone 200
- Select button for a comfortable start/stop of the water flow
- sBox for quiet, smooth and protected hose guidance in the cabinet, under the countertop, with extension length up to 76 cm

Base unit

**90 cm**

Installation type



**C51**  
C51-F770-05 Sink combi 370/370 Select  
# 43216, -000



**Features**

- consists of: built-in sink, 2-hole single lever kitchen mixer, control unit, hose box, automatic waste and overflow set
- material sink: SilicaTec
- number of bowls: 2 main bowls
- tap hole for drilling is predefined (see scale drawing)
- sink depth: 190 mm
- cut-out dimensions: 860 x 490 mm
- cabinet size: 90 cm
- type of installation: topmount
- position overflow: on the right side of the bowl
- connection type: G 3/8 connections
- connection dimension: DN15
- flow rate 8 l/min
- suitable for continuous flow water heaters
- ceramic cartridge
- MagFit magnetic shower support
- integrated non-return valve
- swivel range adjustable in 2 steps to 110° or 150°
- laminar spray and shower spray
- ComfortZone 320
- lockable shower spray, spray returns automatically through handle closing
- sBox for quiet, smooth and protected hose guidance in the cabinet, under the countertop, with extension length up to 76 cm
- push of control unit: intuitive start and stop function of the water flow, turn: automatic drain operation

Base unit

**90 cm**

Installation type



# ACCESSORIES AND CLEANING PRODUCTS

---

**Kitchen assistants that make tasks more convenient  
than ever before**



Accessories and cleaning products

# Why choose a hansgrohe accessory?



**Multi-function filter:**

Multi-tasking in the kitchen is easy thanks to the tailor-made multi-functional filter, which is designed to slide along S71 and S51 sinks. It fits into basins with a depth of 400-410 mm. Use on under-mounted sinks requires separate testing and depends on the installation.



**Cutting board:**

The guide edge on the solid oak or walnut cutting board transforms it into a shelf you can slide along hansgrohe sinks.



**Mobile draining board:**

Thanks to its grooves, the mobile draining board drains water quickly and efficiently towards the sink. It offers hygienic safety when handling food and is dishwasher safe. After use, dishcloths and tea towels can be hung on the plastic frame to dry, dripping directly into the sink.



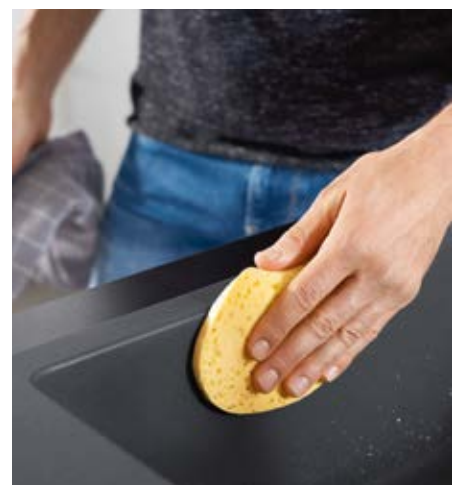
**SoftStart jet former:**

The slow-opening aerator in the SoftStart jet former causes a gradual increase in water volume for a smoother start to water flow. This reduces splashing, especially for kitchen taps with a high spout.



**Soap/lotion dispenser:**

The practical soap/lotion dispenser comes in three designs and two surface finishes, so it can be paired with every kitchen tap by hansgrohe.



**Cleaning:**

The cleaning and care spray for stainless steel provides protection against dirt, staining and limescale deposits. Similarly, the cleaning set for SilicaTec sinks consists of limescale remover, waterproofing and eraser sponge for hygienic cleanliness and a superior shine.

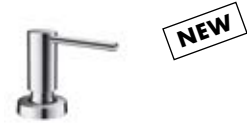
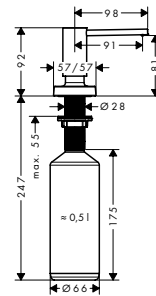


A71 Soap-/lotion dispenser  
# 40468, -000, -800



**Features**

- suitable for matched design to selected kitchen mixers
- projection 91 mm
- material: durable metal construction
- non-corroding outlet pipe
- filling capacity 500 ml
- dosage 2 ml
- easy to fill up from the top
- for installation in worktops up to 55 mm
- easy and save installation without tools needed
- mounting hole with 28–35 mm diameter needed

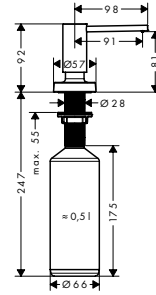


A71 Soap-/lotion dispenser  
# 40448, -000, -800



**Features**

- suitable for matched design to selected kitchen mixers
- projection 91 mm
- material: durable metal construction
- non-corroding outlet pipe
- filling capacity 500 ml
- dosage 2 ml
- easy to fill up from the top
- for installation in worktops up to 55 mm
- easy and save installation without tools needed
- mounting hole with 28–35 mm diameter needed

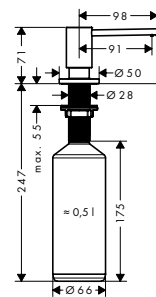


A41 Soap-/lotion dispenser  
# 40438, -000, -800



**Features**

- suitable for matched design to selected kitchen mixers
- projection 91 mm
- material: durable metal construction
- non-corroding outlet pipe
- filling capacity 500 ml
- dosage 2 ml
- easy to fill up from the top
- for installation in worktops up to 55 mm
- easy and save installation without tools needed
- mounting hole with 28–35 mm diameter needed



Kitchen device shut-off valve  
# 10823, -000, -800



**Features**

- purpose of use: for counter surfaces up to 47 mm thick
- shaft Ø 27 mm
- non-return valve
- connection dimension DN15
- device connection DN20



F13 spray former SoftStart  
M24x1 chrome  
# 92517, -000



**Features**

- thread dimension: M24x1
- flow rate: 15 l/min
- usage: kitchen mixer

F10 Clamping element set  
16 pieces for countertop  
thickness 1–3.5 cm  
# 40950000

**Features**

- stainless steel sinks
- clamping range: 10–35 mm

F11 Clamping element set  
16 pieces for countertop  
thickness 3–5.5 cm  
# 40951000

**Features**

- stainless steel sinks
- clamping range: 30–55 mm



A10 drain cover  
# 40952, -800



**Features**

- stainless steel sinks with 3 1/2" basket strainer



A11 turning handle  
for eccentric operation  
# 40953, -800



**Features**

- material: metal

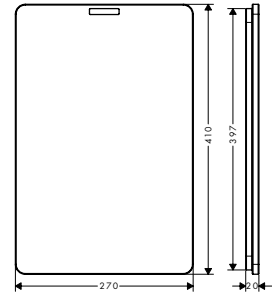


**NEW**

**Features**

- perfect to work in and outside of the sink
- suitable for S51 SilicaTec sinks, S71 Stainless steel sinks
- material: walnut

F15 Cutting board walnut  
# 40960000

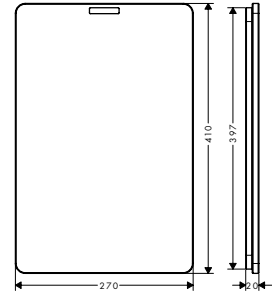


**NEW**

**Features**

- perfect to work in and outside of the sink
- suitable for S51 SilicaTec sinks, S71 Stainless steel sinks
- material: oak

F16 Cutting board oak  
# 40961000

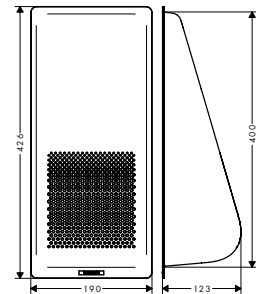


**NEW**

**Features**

- ideal to clean fruits and vegetables or to pour out noodles
- suitable for S51 SilicaTec sinks, S71 Stainless steel sinks
- material: plastic

F14 Multifunctional strainer  
# 40963000

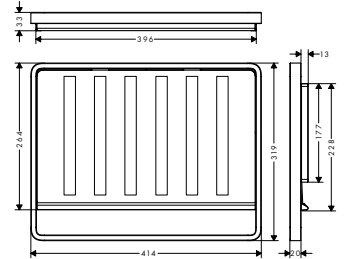


**NEW**

**Features**

- perfect to unfreeze food
- for safe storage of glasses and bulky dishes
- high functionality, water can run off easily into the sink
- suitable for S51 SilicaTec sinks, S71 Stainless steel sinks
- material: plastic/stainless steel

F17 Mobile drainboard  
# 40962800



F12 compensating element for sBox  
# 43333000

**Features**

- purpose of use: for height compensation of the sBox up to 100 mm

**NEW**

F20 Cleaning and care set SilicaTec  
# 40965000

**Features**

- Removes limescale and bloom from the sink
- Protection from dirt, stains and limescale
- Supports an easier cleaning of the sink
- consists of: Pump spray 250 ml limescale remover, Pump spray 250 ml impregnation spray, cleaning sponge (packaging of 2)

**NEW**

F18 Cleaning and care spray stainless steel 250 ml  
# 40964000

**Features**

- Cleaning and maintaining in one step
- Finger print protection
- Ideal for kitchen sinks and faucets
- consists of: Pump spray 250 ml

**NEW**

F19 Cleaning and care spray stainless steel 30 ml  
# 40966000

**Features**

- Cleaning and maintaining in one step
- Finger print protection
- Ideal for kitchen sinks and faucets
- consists of: Pump spray 250 ml

# Part number index

Article number	Page	Article number	Page	Article number	Page
# 10823, -000, -800	164	# 40964000	165	# 43336, -800	65
# 14780, -000	92	# 40965000	165	# 43337, -800	66
# 14781, -000	94	# 40966000	165	# 43338, -800	67
# 14782, -000	95	# 43201, -000, -800	151	# 43339, -800	68
# 14785, -000	91	# 43202, -000, -800	153	# 43340, -800	66
# 14786, -000	88	# 43203, -000, -800	155	# 43341, -800	67
# 14820, -000, -800	92	# 43205, -000, -800	152	# 43342, -800	68
# 14821, -000, -800	94	# 43206, -000, -800	154	# 43425, -800	59
# 14822, -000, -800	95	# 43207, -000, -800	151	# 43426, -800	59
# 14823, -000	95	# 43208, -000, -800	152	# 43427, -800	60
# 14834, -000, -800	93	# 43209, -000, -800	153	# 43428, -800	60
# 14847, -000, -800	91	# 43210, -000, -800	154	# 43429, -800	61
# 14857, -000, -800	90	# 43211, -000, -800	155	# 43430, -800	61
# 14870, -000	110	# 43212, -000	157	# 43431, -170, -290, -380	74
# 14872, -000	109	# 43213, -000	159	# 43432, -170, -290, -380	74
# 14875, -000	110	# 43214, -000	158	# 43433, -170, -290, -380	75
# 14877, -000	108	# 43215, -000	160	# 43434, -170, -290, -380	75
# 14883, -000, -800	91	# 43216, -000	161	# 71280, -000	138
# 14884, -000, -800	88	# 43217, -000	157	# 71283, -000	144
# 14888, -000	96	# 43218, -000	159	# 71284, -000	144
# 31780, -000	127	# 43219, -000	158	# 71285, -000	144
# 31784, -000	127	# 43220, -000	160	# 71286, -000	144
# 31803, -000	126	# 43221, -000	161	# 71287, -000	145
# 31804, -000	126	# 43227, -000	158	# 71800, -000, -800	129
# 31806, -000, -800	125	# 43228, -000	158	# 71801, -000, -800	130
# 31815, -000, -670, -800	121	# 43229, -000, -800	152	# 71802, -000, -800	131
# 31816, -000	125	# 43230, -000, -800	152	# 71803, -000	131
# 31817, -000, -670, -800	122	# 43301, -800	54	# 71804, -000	135
# 31820, -000, -670, -800	123	# 43302, -800	56	# 71805, -000	134
# 31822, -000	123	# 43303, -800	58	# 71806, -000, -800	134
# 31823, -000	124	# 43305, -800	54	# 71807, -000	135
# 31825, -000	124	# 43306, -800	55	# 71808, -000, -800	133
# 32841, -000	111	# 43307, -800	55	# 71809, -000	133
# 32842, -000	112	# 43308, -800	56	# 71813, -000	136
# 32845, -000	111	# 43309, -800	57	# 71814, -000, -800	132
# 32851, -000	112	# 43310, -800	57	# 71820, -000, -800	129
# 32857, -000	112	# 43311, -800	58	# 71821, -000, -800	130
# 40438, -000, -800	164	# 43312, -170, -290, -380	71	# 71829, -000, -800	132
# 40448, -000, -800	164	# 43313, -170, -290, -380	72	# 71830, -000	141
# 40468, -000, -800	164	# 43314, -170, -290, -380	71	# 71831, -000	141
# 40950000	164	# 43315, -170, -290, -380	72	# 71832, -000	139
# 40951000	164	# 43316, -170, -290, -380	73	# 71833, -000	139
# 40952, -800	164	# 43330, -170, -290, -380	71	# 71834, -000	140
# 40953, -800	164	# 43331, -800	55	# 71835, -000	138
# 40960000	165	# 43332, -800	55	# 71836, -000	142
# 40961000	165	# 43333000	165	# 71837, -000	142
# 40962800	165	# 43334, -800	64	# 71839, -000	140
# 40963000	165	# 43335, -800	64	# 71860, -000	139

<b>Article number</b>	<b>Page</b>	<b>Article number</b>	<b>Page</b>
# 71861, -000	138	# 73826, -000	84
# 71864, -000	134	# 73827, -000	84
# 71866, -000	133	# 73828, -000	94
# 72800, -000, -670, -800	114	# 73830, -000, -670, -800	82
# 72801, -000, -670, -800	114	# 73831, -000, -670, -800	82
# 72802, -000, -670, -800	115	# 73836, -000, -670, -800	82
# 72803, -000, -670, -800	115	# 73837, -000, -670, -800	82
# 72804, -000, -670, -800	116	# 73850, -000, -800	104
# 72806, -000, -670, -800	117	# 73851, -000, -800	103
# 72808, -000, -670, -800	118	# 73852, -000, -800	101
# 72809, -000, -670, -800	118	# 73853, -000, -800	99
# 72810, -000, -800	105	# 73860, -000, -800	111
# 72811, -000	106	# 73861, -000	112
# 72812, -000	105	# 73863, -000, -800	108
# 72813, -000, -800	103	# 73864, -000, -800	109
# 72814, -000, -800	106	# 73867, -000, -800	98
# 72815, -000, -800	104	# 73868, -000, -800	100
# 72816, -000	105	# 73869, -000	111
# 72817, -000	103	# 73876, -000	103
# 72820, -000, -800	102	# 73878, -000	109
# 72821, -000, -800	99	# 73879, -000	108
# 72822, -000, -800	101	# 73880, -000, -800	121
# 72823, -000, -800	98	# 92517, -000	164
# 72824, -000, -800	100		
# 72825, -000	102		
# 72826, -000	99		
# 72831, -000	108		
# 72832, -000	109		
# 72840, -000, -670, -800	119		
# 72842, -000, -670	114		
# 73800, -000, -800	93		
# 73801, -000, -800	92		
# 73802, -000, -800	90		
# 73803, -000, -800	88		
# 73804, -000, -800	86		
# 73805, -000, -800	84		
# 73806, -000, -800	84		
# 73807, -000	88		
# 73812, -000, -800	94		
# 73816, -000, -800	87		
# 73817, -000, -800	89		
# 73818, -000, -340, -670, -800	85		
# 73819, -000, -800	85		
# 73820, -000, -800	87		
# 73822, -000, -800	89		
# 73823, -000	93		
# 73824, -000	92		
# 73825, -000	86		

## **hansgrohe Sales Service**

Phone enquiries regarding products and delivery times.

### Service hours

Monday – Friday: 9.00 am – 5.00 pm

Phone: 01372 472001

Fax: 01372 470670

E-mail: customerservice@hansgrohe.co.uk

## **hansgrohe spare part guarantee**

We guarantee the availability of spare parts for up to ten years.

This gives you peace of mind, even for projects that were completed some time ago.

## **hansgrohe Customer Service**

For technical enquiries, experts in the bathroom trade will be happy to assist you with their extensive knowledge of the entire hansgrohe product range. Service and replacement parts are delivered in the fastest possible manner.

### Service hours

Monday – Friday: 9.00 am – 5.00 pm

Phone: +49 7836 51-1282

Fax: +49 7836 51-1440

E-Mail: info@hansgrohe.com

Please bear in mind that we can present only a selection of our products in this sales manual.

Our full range can be found at [www.hansgrohe-int.com](http://www.hansgrohe-int.com).

**Find out more about the hansgrohe world at [pro.hansgrohe.com](http://pro.hansgrohe.com)**



**Headquarters** – Hansgrohe SE · P.O. Box 1145 · D-77757 Schiltach

Tel. +49 7836 51-0 · Fax +49 7836 51-1300 · [info@hansgrohe.com](mailto:info@hansgrohe.com) · [www.hansgrohe.com](http://www.hansgrohe.com) · [pro.hansgrohe-int.com](http://pro.hansgrohe-int.com)

**Croatia** – Hansgrohe jugoistočna Europa ured i izložbeni salon · Horvatova 82 · 10010 Novi Zagreb

Tel. +385 1 5630 800 · Fax +385 1 5630 899 · [info@hansgrohe.hr](mailto:info@hansgrohe.hr) · [www.hansgrohe.hr](http://www.hansgrohe.hr)

**Middle East** – Hansgrohe SE (DMCC Branch) · Swiss Tower · Jumeirah Lakes Towers · Office 1904 · PO Box 34216

Dubai · United Arab Emirates · P +971 4 448 0200 · M +971 55 945 5644

**Estonia** – Hansgrohe Eesti esindaja Andrus Asavi · Mäealuse 2/1 · 12618 Tallinn

Tel. +372 53 32 92 55 · Fax +372 56 00 00 55 · [info@hansgrohe.ee](mailto:info@hansgrohe.ee) · [www.hansgrohe.ee](http://www.hansgrohe.ee)

**Latvia** – Hansgrohe Latvijas pārstāvniecība · SIA Aqua Studio · Raiņa iela 14 · LV-3913 Iecava

Tel. +371 29 22 90 29 · Fax +371 63 94 22 51 · [info@hansgrohe.lv](mailto:info@hansgrohe.lv) · [www.hansgrohe.lv](http://www.hansgrohe.lv)

**Lithuania** – Santoza · Ulonų g. 5 · LT-08240 Vilnius · Tel. +370 5 2043291

Fax +370 5 2043293 · [info@hansgrohe.lt](mailto:info@hansgrohe.lt) · [www.hansgrohe.lt](http://www.hansgrohe.lt)

**Slovenia** – Hansgrohe SE · P.O. Box 1145 · D-77757 Schiltach · Tel. +49 7836 51-0

Fax +49 7836 51-1300 · [info@hansgrohe.si](mailto:info@hansgrohe.si) · [www.hansgrohe-int.com](http://www.hansgrohe-int.com)

**Serbia** – Hansgrohe SE · P.O. Box 1145 · D-77757 Schiltach · Tel. +49 7836 51-0

Fax +49 7836 51-1300 · [info@hansgrohe.rs](mailto:info@hansgrohe.rs) · [www.hansgrohe.rs](http://www.hansgrohe.rs)

**United Kingdom** – Hansgrohe · Units D1 and D2 · Sandown Park Trading Estate · Royal Mills

Esher · Surrey · KT10 8BL · Tel. +44 1372 472001 · Fax +44 1372 470670

[enquiries@hansgrohe.co.uk](mailto:enquiries@hansgrohe.co.uk) · [www.hansgrohe.co.uk](http://www.hansgrohe.co.uk) · [pro.hansgrohe.co.uk](http://pro.hansgrohe.co.uk)



This catalogue has been produced with as much care for the environment as possible. You can also do your bit for the environment by passing this catalogue on to others when you have finished with it or else recycling it.

