

Installation guide



Installation and adjustment

MPHE 0300 : METAL+ | TWO-WAY DOOR | FITTED IN TUNNEL

MORTARED FRAME

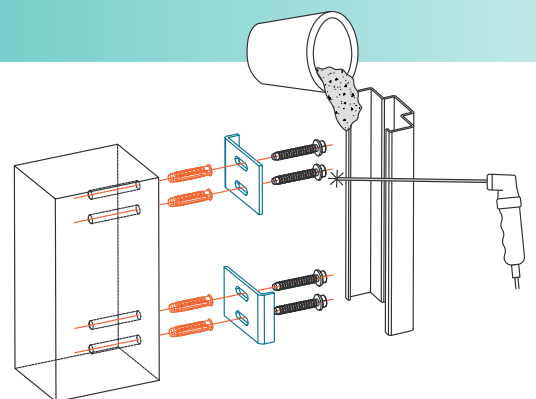


TABLE OF CONTENTS

CAPTIONS 4

PRECAUTIONS 5

INSTALLATION: FITTED IN TUNNEL

Preparing the frame 6
Installation of the leaf 12
Fill with sealing mortar 17

FINAL CHECK AND FINISHING

Cleaning 20

HEINEN WARRANTY 21

CAPTIONS



HORIZONTAL STRAIGHTENING



COMPLETE DRYING



MOISTURE REMOVAL



CLEAN SURFACE



INSPECTION



VERTICAL STRAIGHTENING



PROCEED WITH CARE



PRECAUTIONS



PROCEDURAL SEQUENCE

PRECAUTIONS

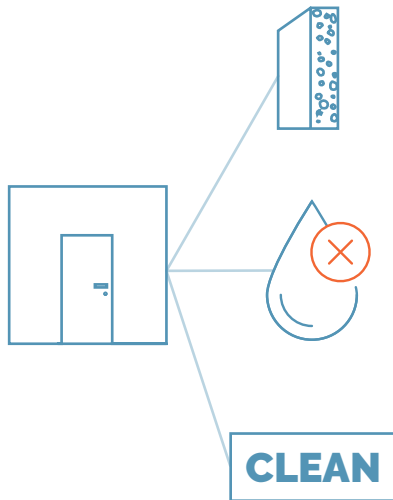


STORAGE PRECAUTIONS

Store all doors, including exterior doors, away from the elements and moisture prior to installation.

Do not expose the blue protective film covering the leaf to the sun.

Poor storage conditions can affect the adhesion of the protective film, making it difficult to remove.



CONSTRUCTION MEDIUM

Thickness (min. 100 mm), density and resistance vary according to the performance of the door set and must comply with the relevant certificates.

CORROSION PRECAUTIONS

The wall must be completely dry.

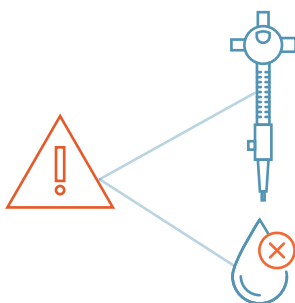
SEALING MORTAR ADHESION

This depends primarily on the surface condition of the edges of the opening, which must be clean and free of any paint or coatings. Note to builder: it is advisable not to repoint the masonry seals around the narrow sides of the opening in order to improve the adhesion of the sealing mortar.



MARKING THE FINISHED FLOOR

- With a rough floor: ensure that the finished floor level is clearly marked.
- With a finished floor: check that the floor beneath the leaf and the entire area that the door sweeps when opened is horizontal.



INSTALLATION PRECAUTIONS

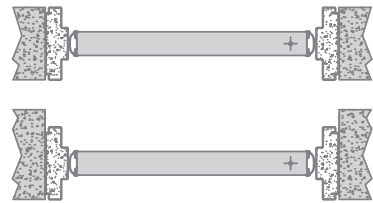
- Always keep at hand an accessory to allow you to open the door during installation.
- Fire doors must be stored and installed in conditions free of moisture.



PRECAUTIONS FOR DOORS EXPOSED TO THE ELEMENTS

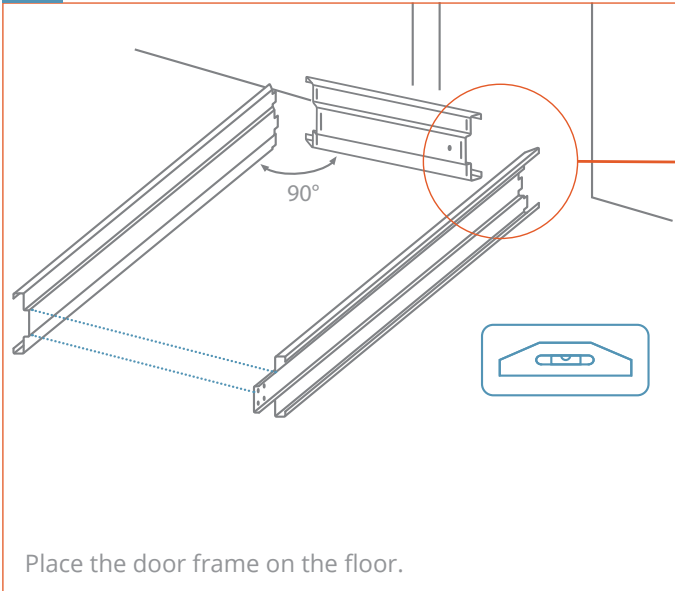
Any orifices that might be exposed to the elements must be protected with silicone sealant.

INSTALLATION: FITTED IN TUNNEL



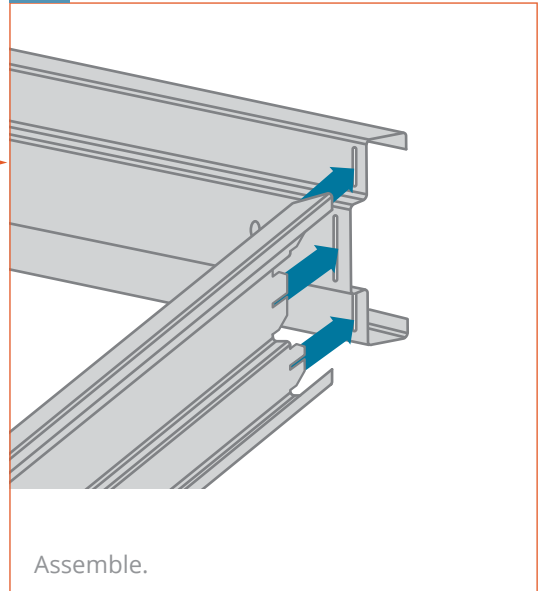
PREPARING THE FRAME

1



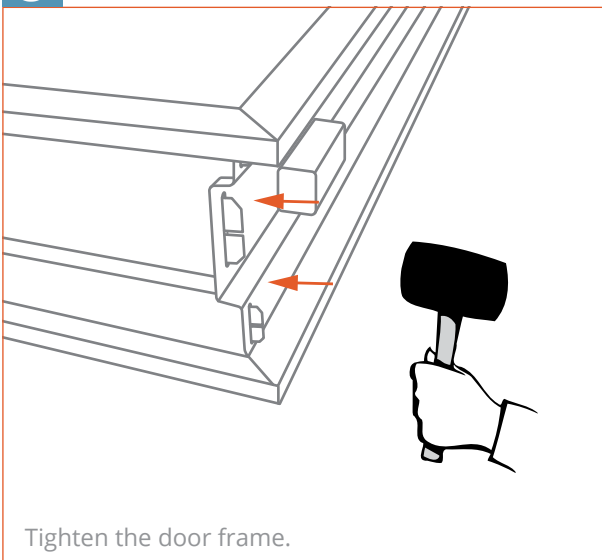
Place the door frame on the floor.

2



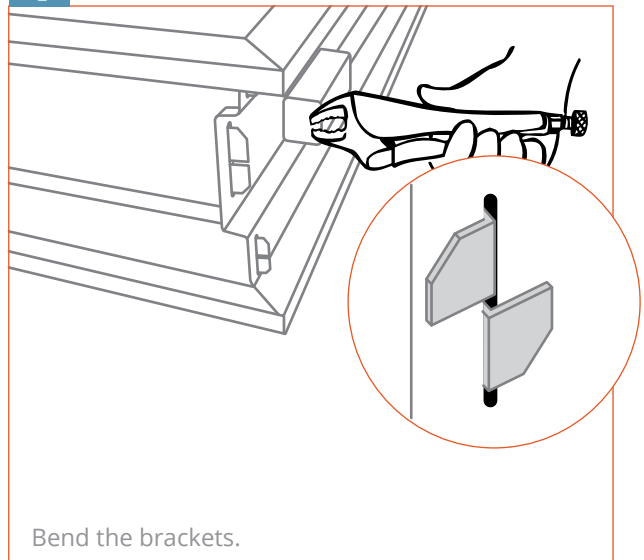
Assemble.

3



Tighten the door frame.

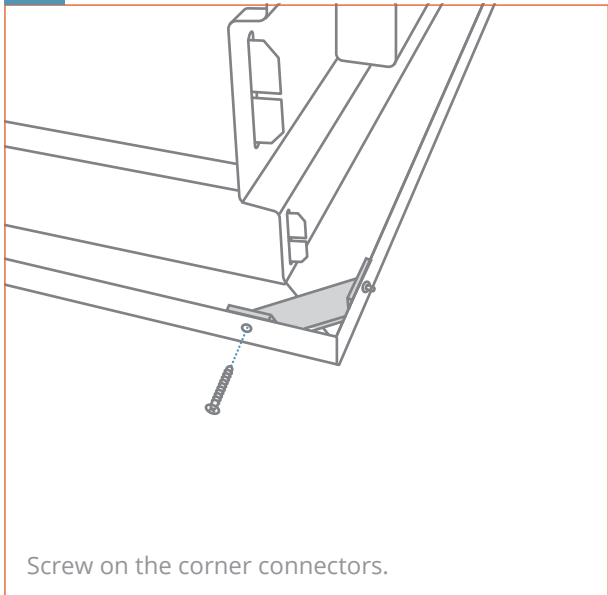
4



Bend the brackets.

Repeat for the 2nd frame

5

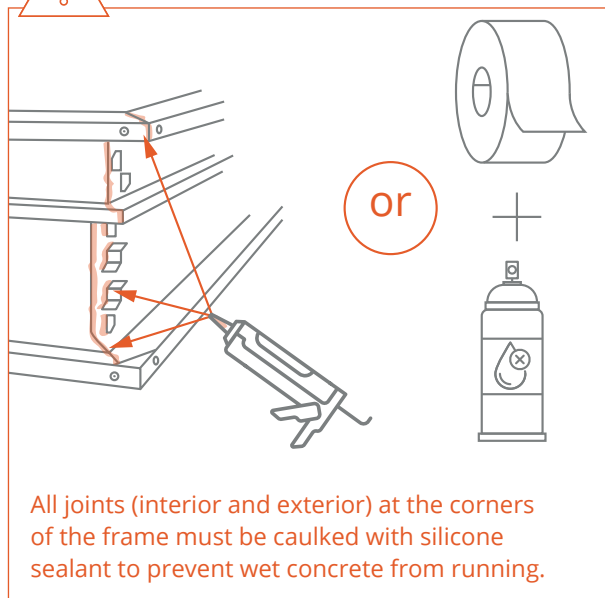


Screw on the corner connectors.

Repeat for the 2nd frame

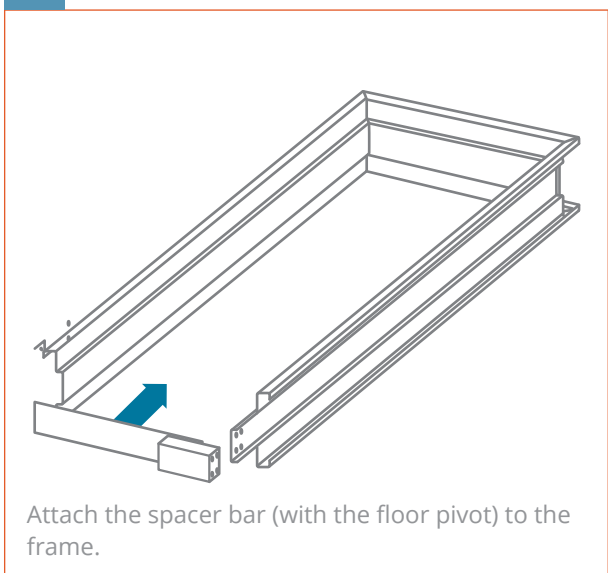


Doors exposed to the elements



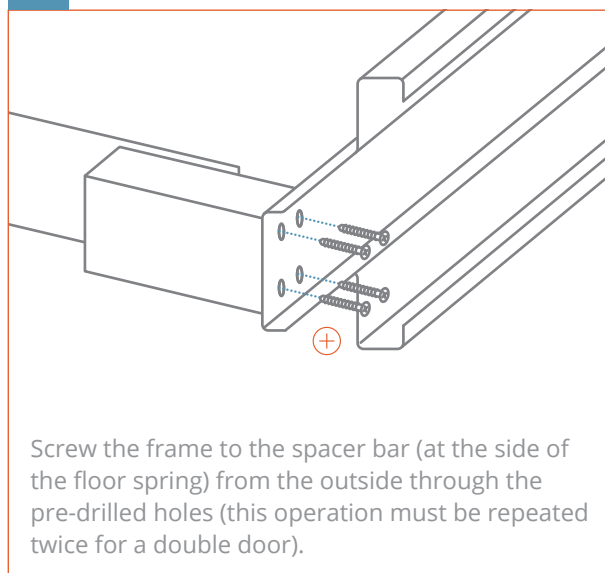
All joints (interior and exterior) at the corners of the frame must be caulked with silicone sealant to prevent wet concrete from running.

6



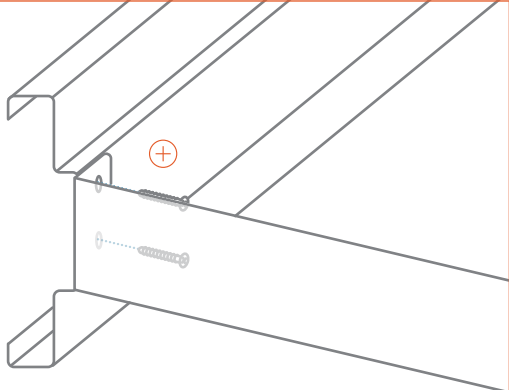
Attach the spacer bar (with the floor pivot) to the frame.

6a



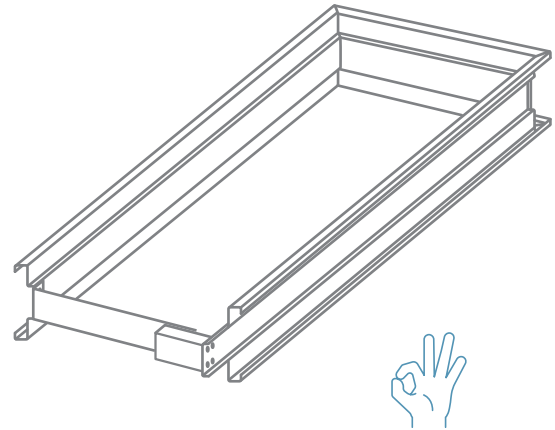
Screw the frame to the spacer bar (at the side of the floor spring) from the outside through the pre-drilled holes (this operation must be repeated twice for a double door).

6b

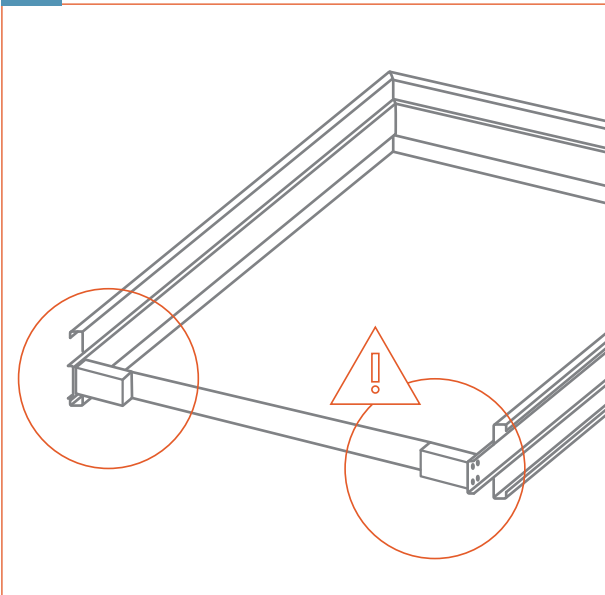


Screw the other side of the spacer bar to the frame using the pre-drilled holes (only applies to single doors).

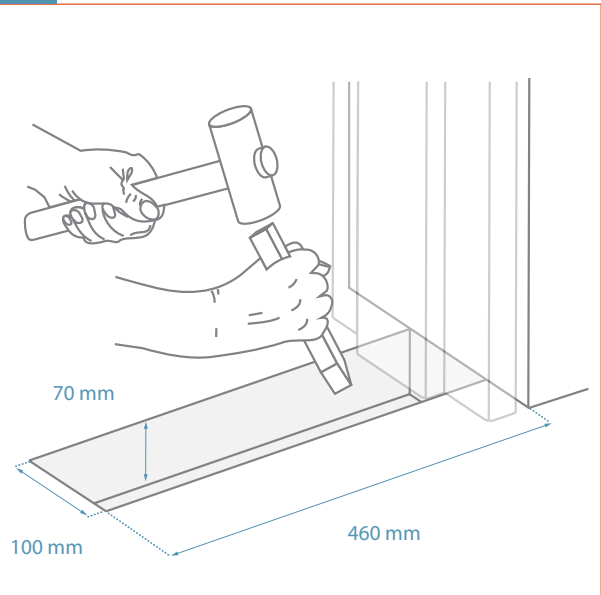
6c



6d Alternative: double door



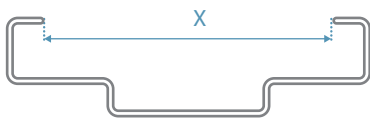
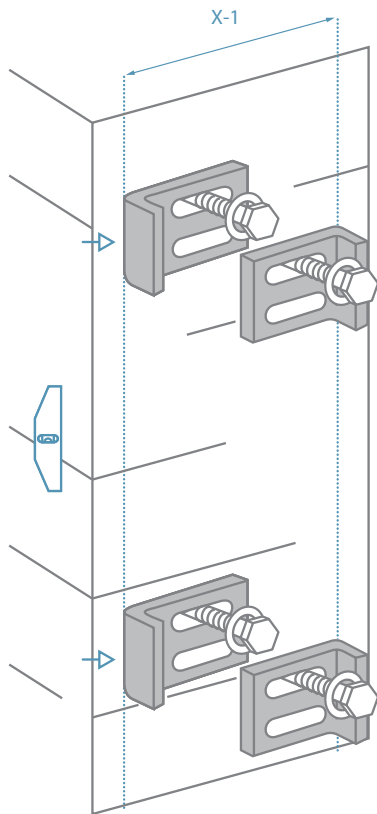
7 Floor recess for the floor spring



The recess in the floor must not exceed the size of the of the finishing floor plate.

8

Attach the metal fitting clamps



Use screws ($\text{Ø}8$ recommended) and plugs that are suited to the construction medium and in accordance with the following:

- the number stated on the dispatch note;
- the positions indicated in the following point 8a.

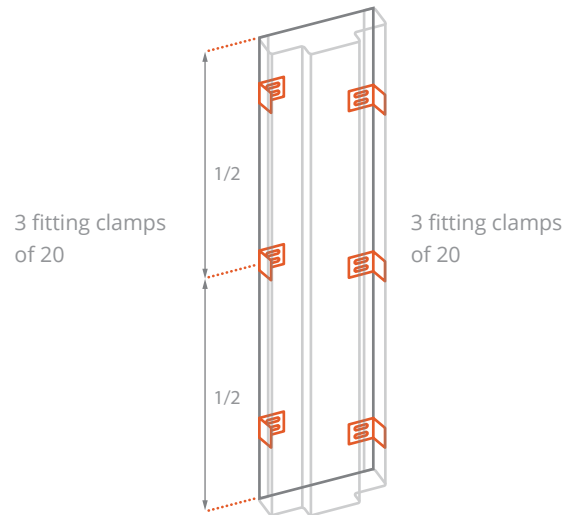
The fitting clamps, if ordered, can be found in the hardware package.

Unless there is a specific requirement, one screw per fixing clamp is sufficient.

8a

Positioning of the fitting clamps

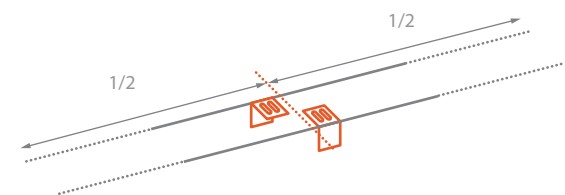
VERTICAL JAMBS



Stagger the fitting clamps 2 by 2, starting from 200 mm from the top and bottom of the leaf.

THE HEADER (IN CASE OF DOUBLE DOORS)

2 fitting clamps of 40

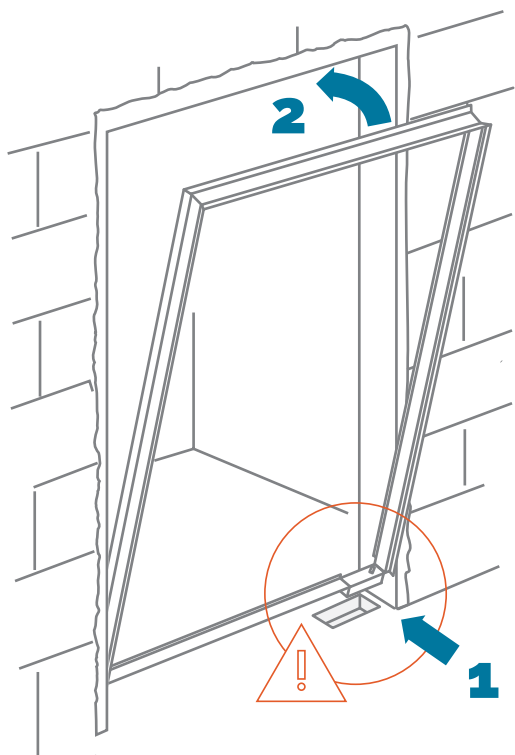


Unless there is a specific requirement, the number of fixing clamps must be respected as a minimum.

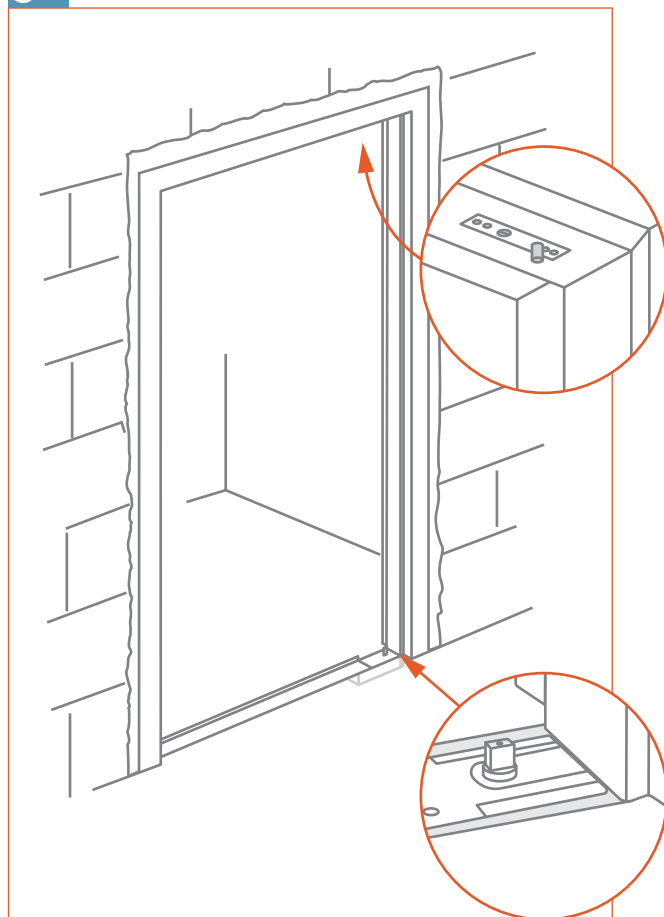


9

Insert the frame into the opening



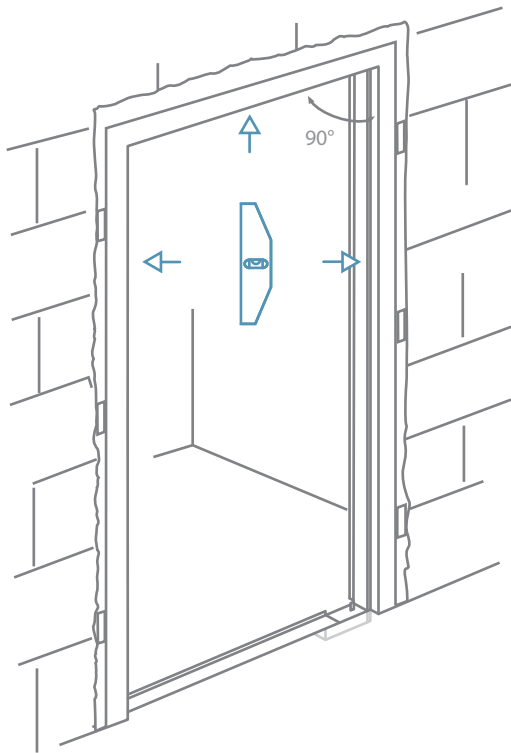
Insert the frame with the floor spring into the recess, then tilt the frame into the opening.

9a

10



Adjust the fitting clamps to the appropriate level if necessary.

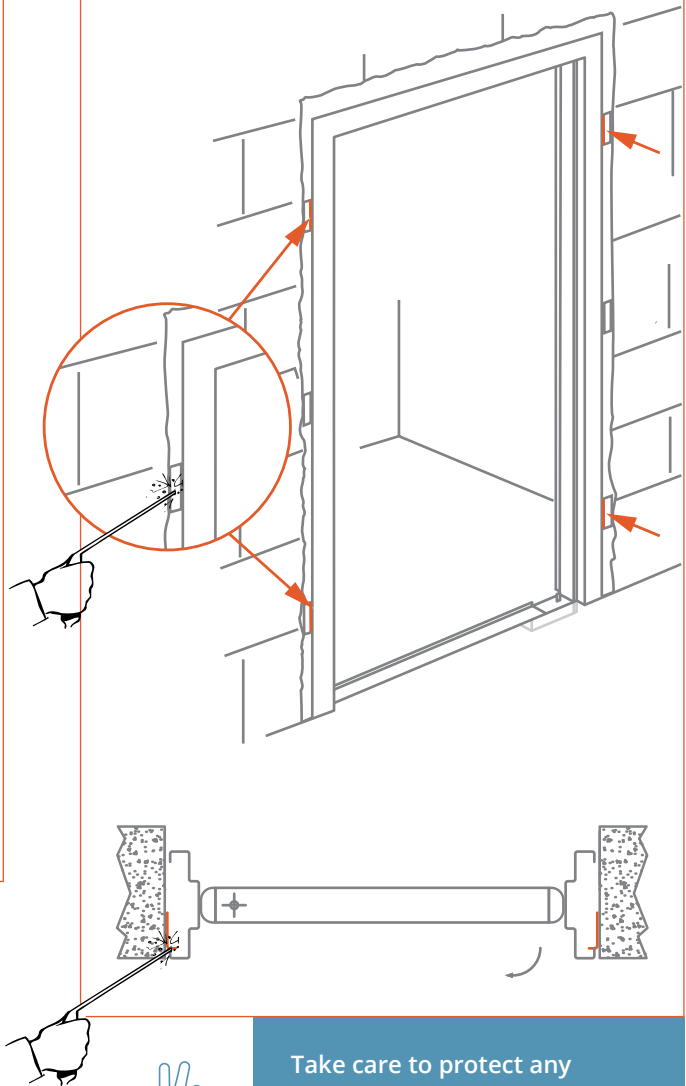


Position the door frame level to and at the correct height from the finished floor.

10a Spot



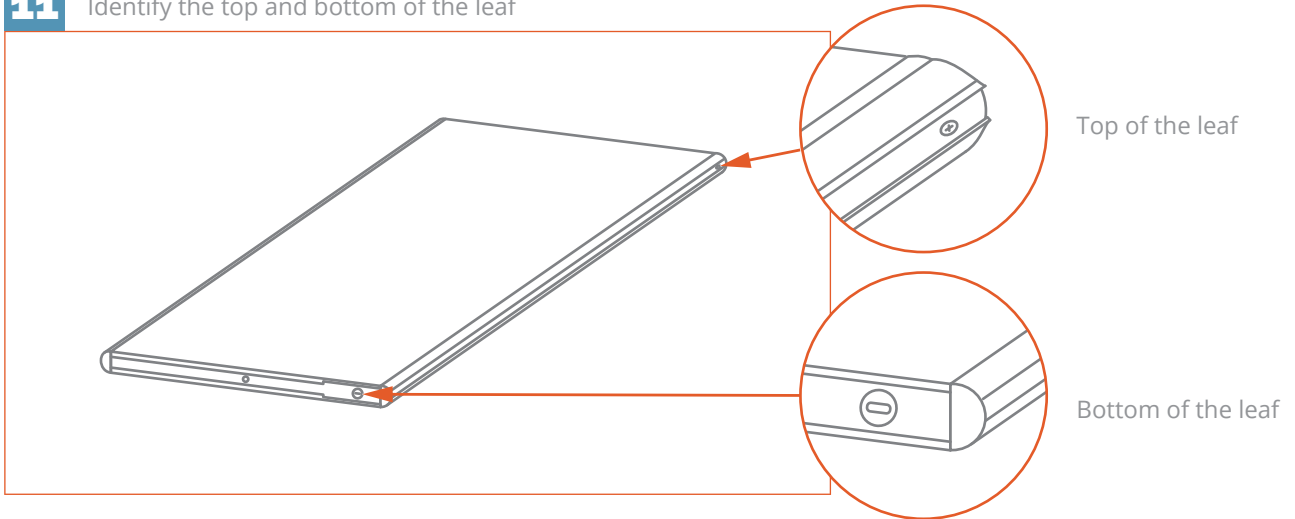
Spot weld only the 2 top and bottom fitting clamps on the 2 jambs.



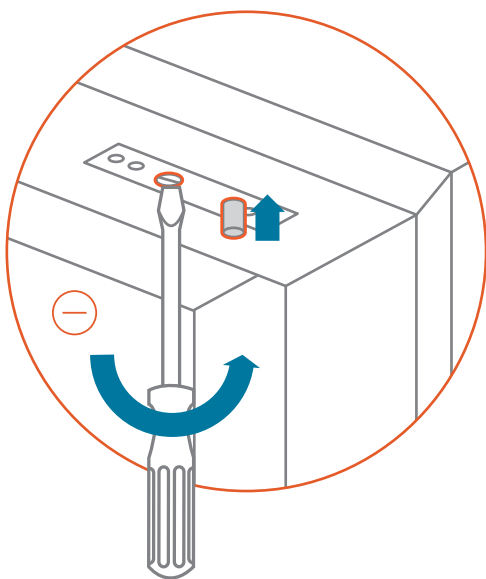
Take care to protect any flammable elements when welding the clamps.

INSTALLATION OF THE LEAF

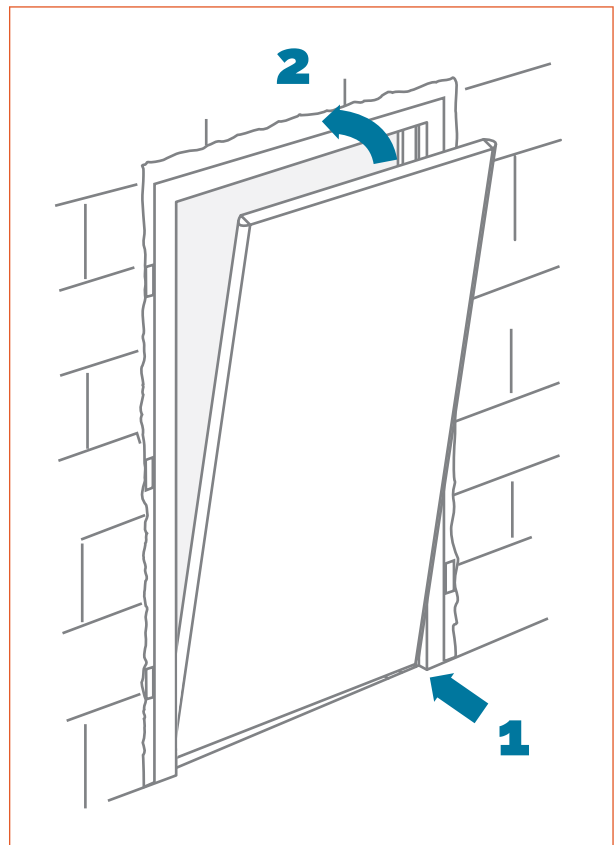
11 Identify the top and bottom of the leaf



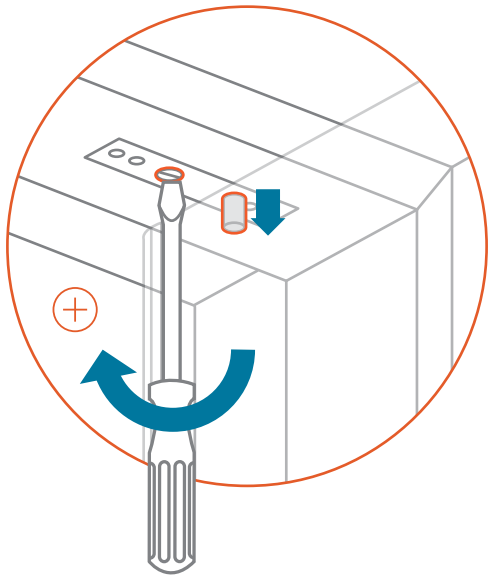
12 Installation of the leaf



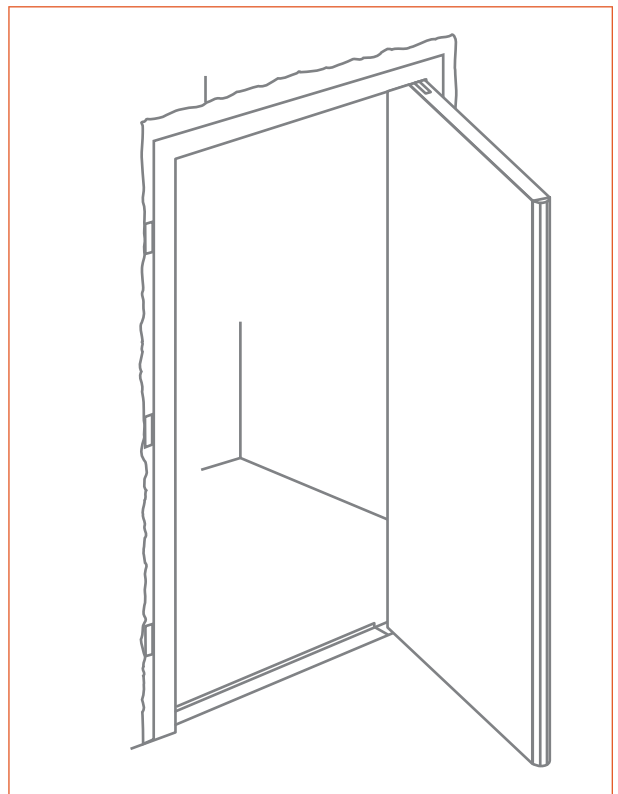
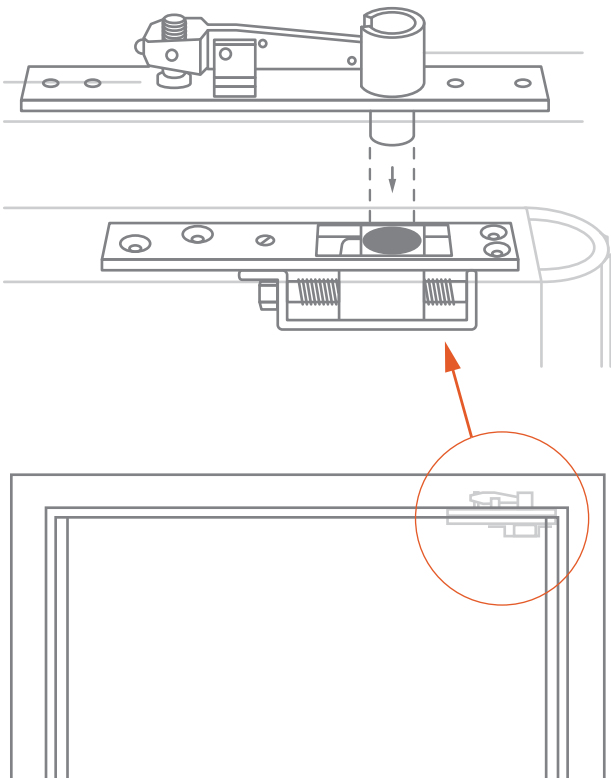
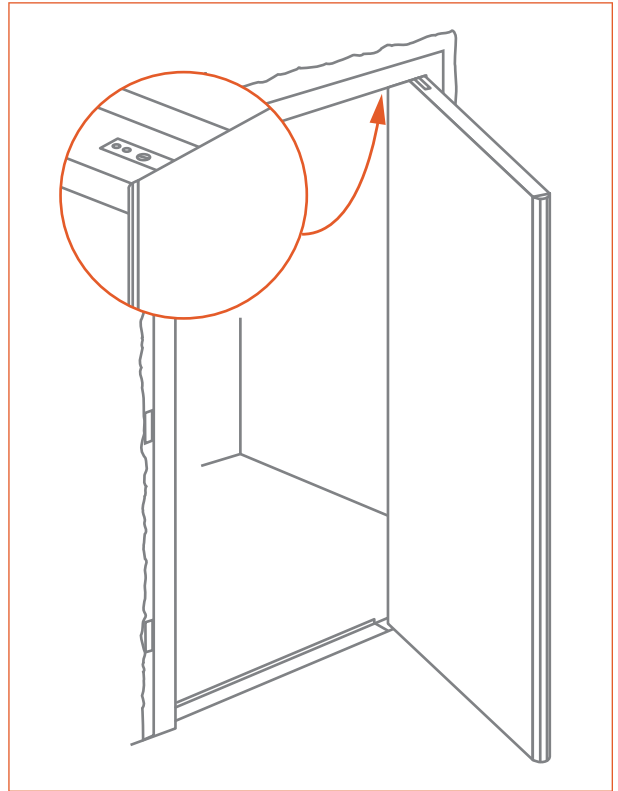
Unscrew the top pivot screw and then position the leaf in a vertical position, taking care not to remove the bottom pivot.



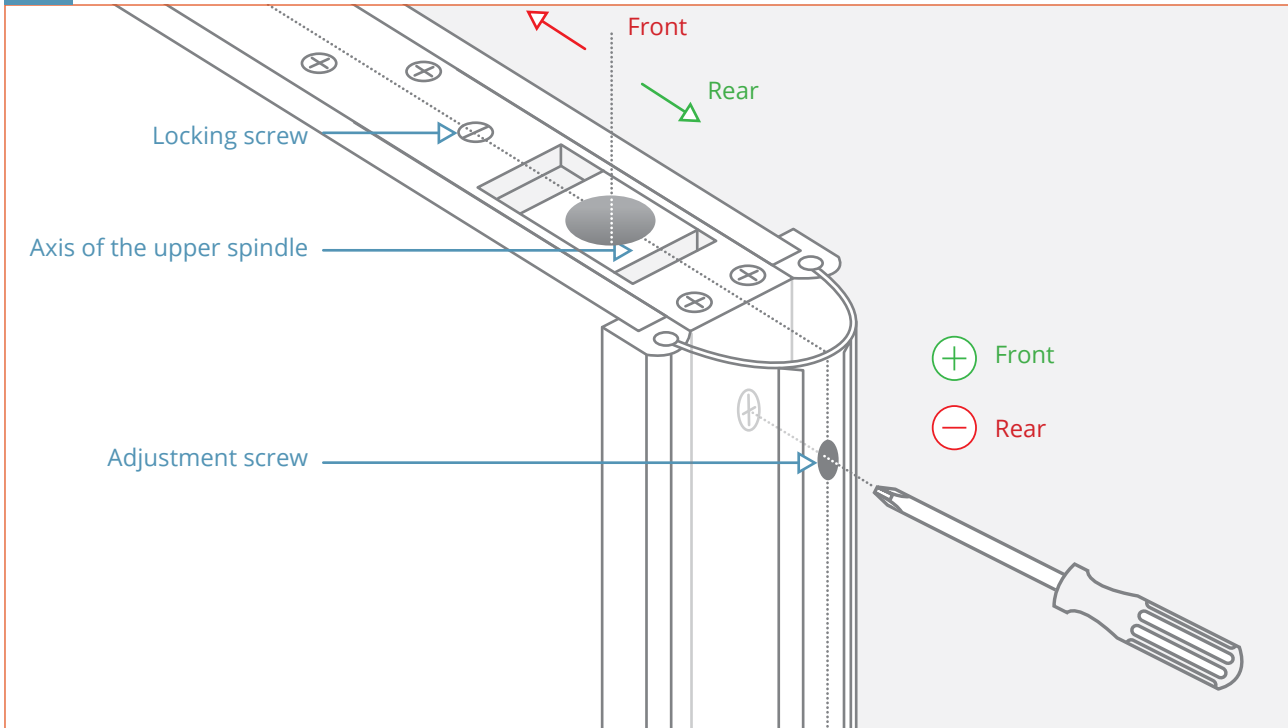
12a Lock the leaf (open)



Open the door sufficiently to gain access to the upper pivot screw. Tighten the pivot screw to hold the leaf in its final position.



13 Leaf position adjustment



13a Additional settings



If necessary, adjust the position of the leaf at the bottom of the door, referring to the setting on the floor spring.

Only lateral adjustment is possible:

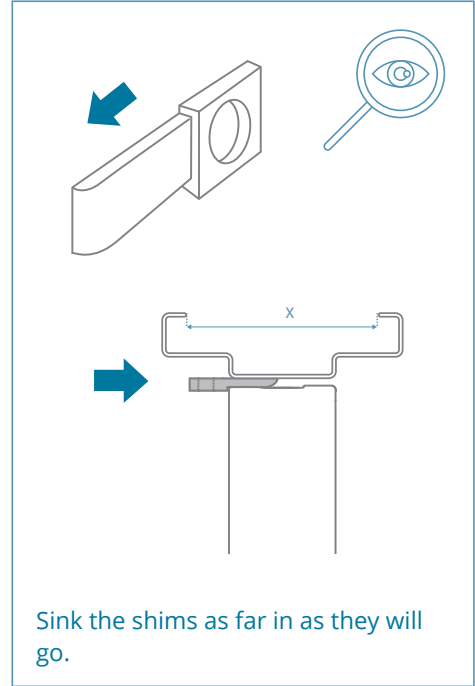
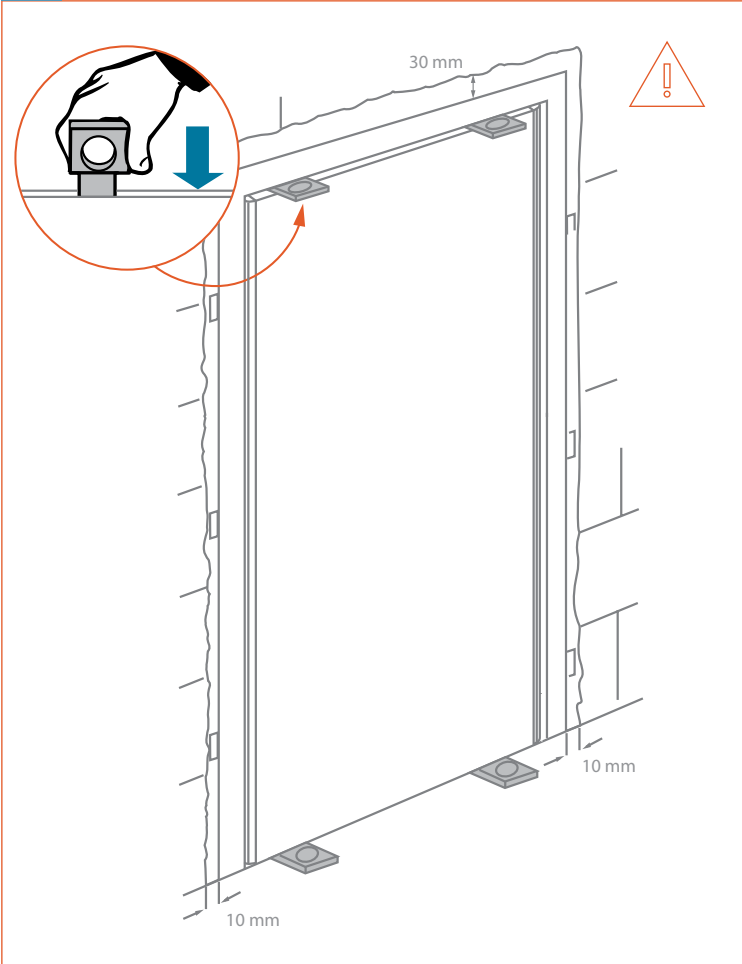
- Loosen the locking screw located on the top edge of the leaf. To access it, remove the leaf.
- Act on the adjustment screw, located on the vertical edge of the leaf, at the top of the curved gasket.



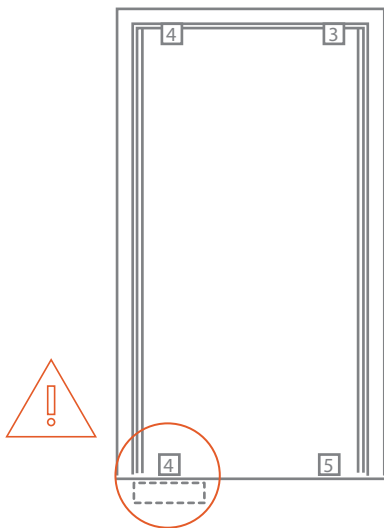
Caution!

Once the settings have been made, check that all the locking screws are tight.

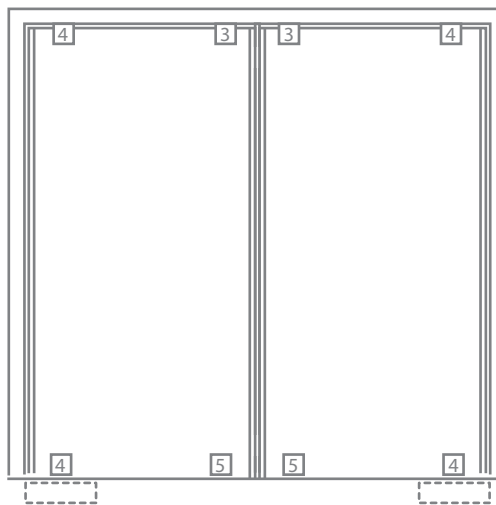
14 Position the shims



The type of door kit is indicated on the delivery note.

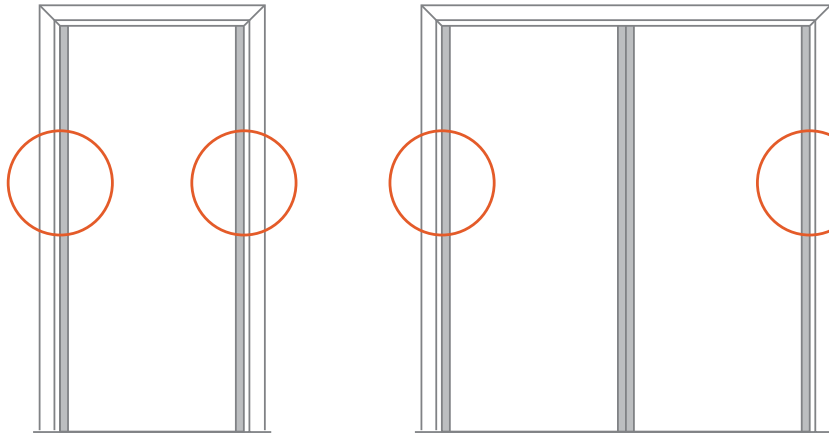


KIT SINGLE DOOR
 1x 3mm shim
 2x 4mm shim
 1x 5mm shim



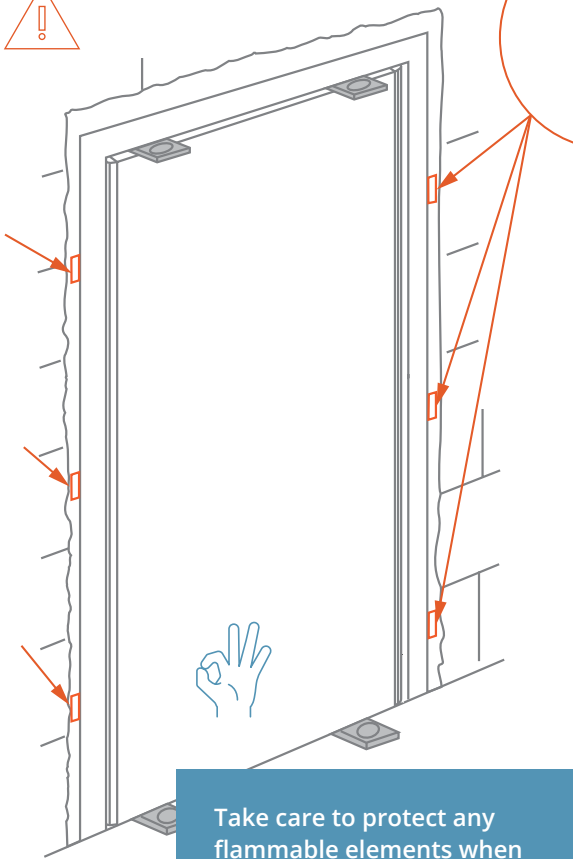
KIT DOUBLE DOOR
 2x 3mm shim
 4x 4mm shim
 2x 5mm shim

15 Checks

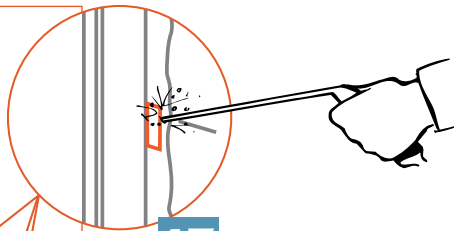


Check that the gaskets are against the side jamb of the frame.

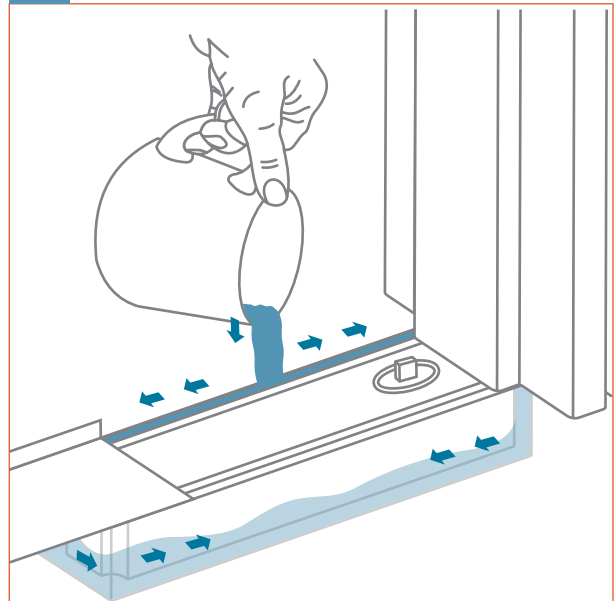
16 Permanently weld all the fitting clamps



Take care to protect any flammable elements when welding the clamps.



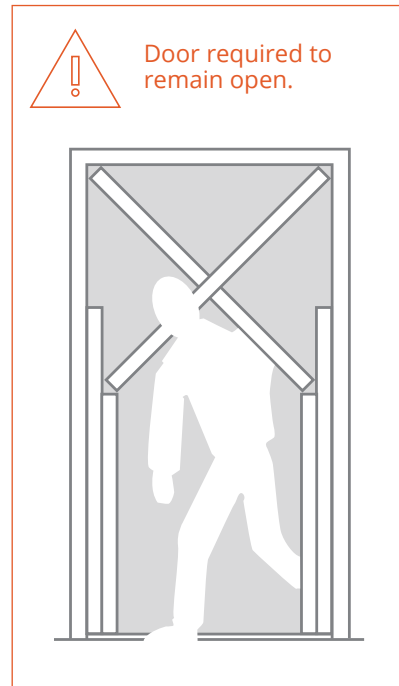
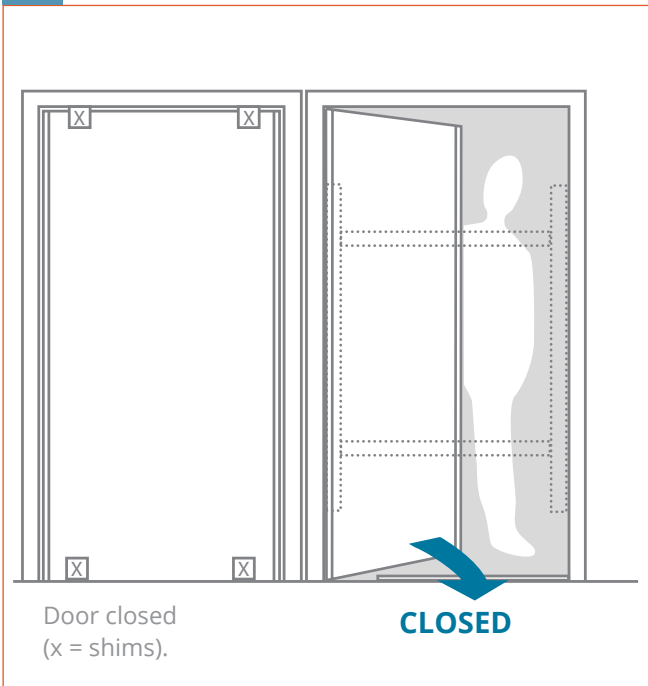
17 Fill the recess



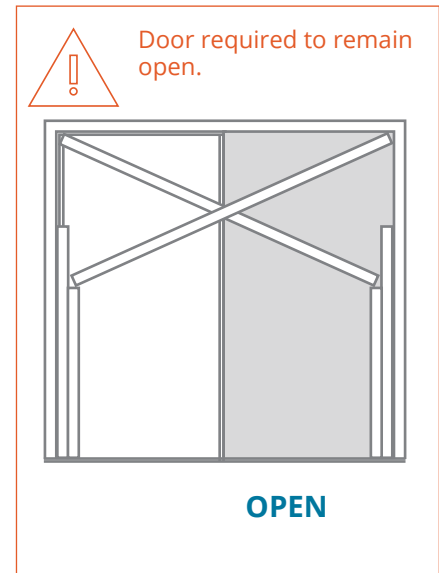
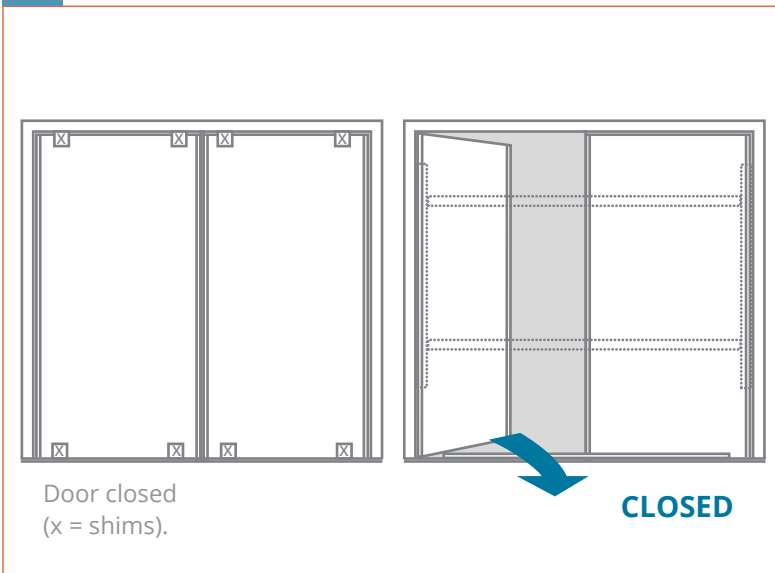
Fill the recess around the floor spring with very fluid sealing mortar so that it seeps through to the underside of the box.

FILL WITH SEALING MORTAR

1a Single door

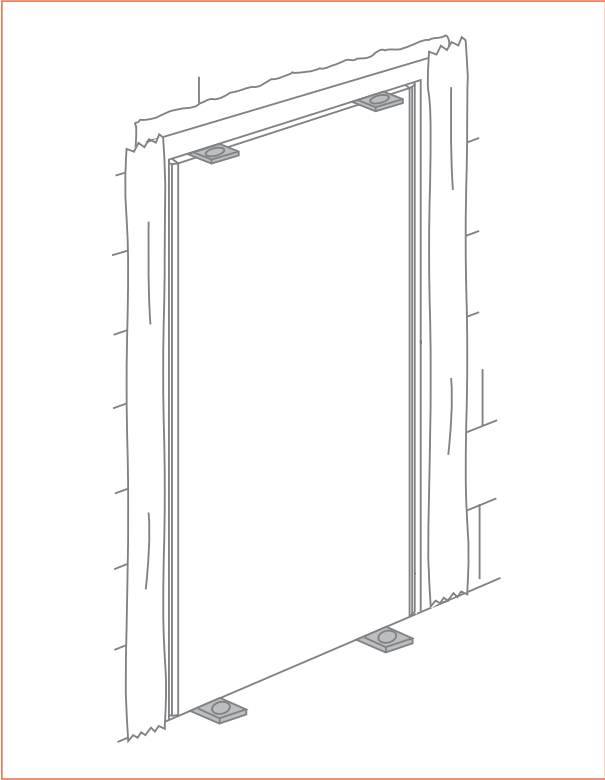


1b Double door

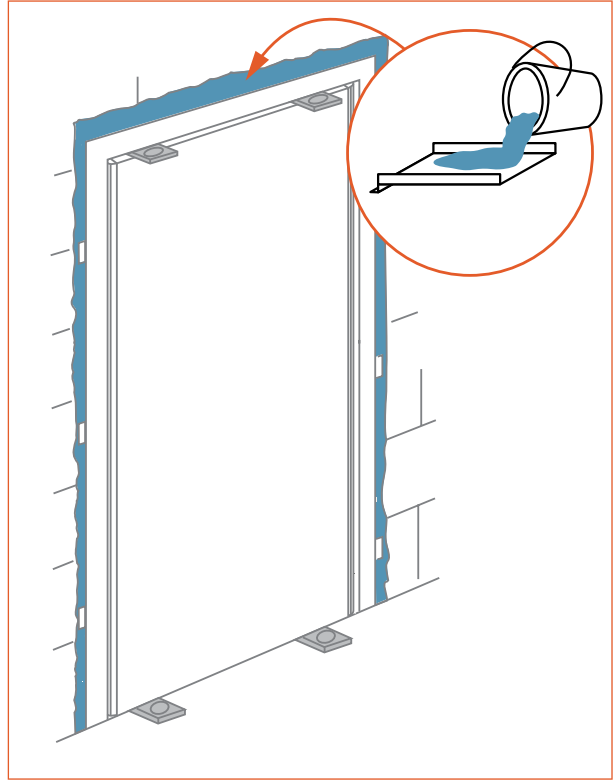


- Under no circumstances should the spacer bars at the bottom of the frame be removed.
- Always leave the shims long enough.
- Prop up where necessary to prevent the frame from bulging (essential when applying with the door open).
- The utmost care must be taken when propping up the frame.

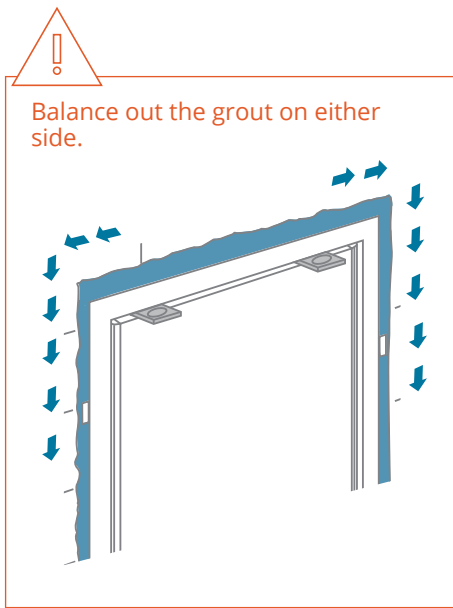
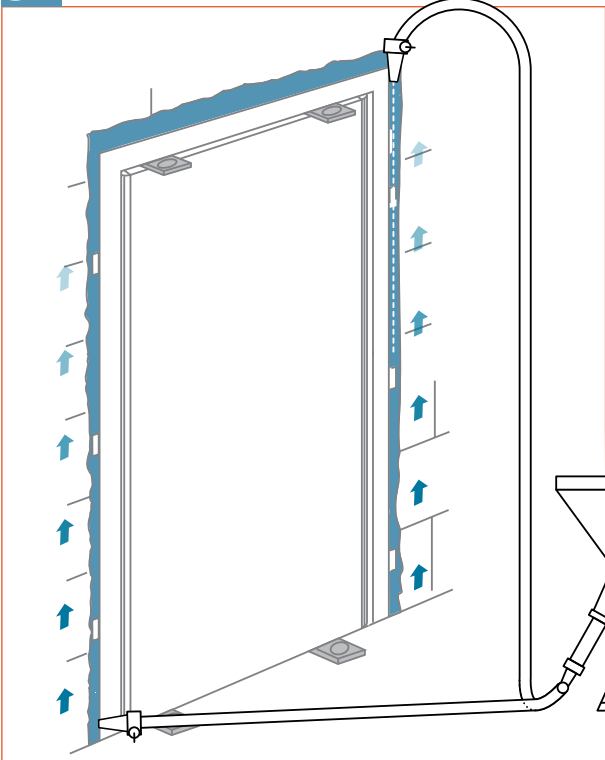
2 Caulk both sides if necessary



3a Injecting the mortar manually

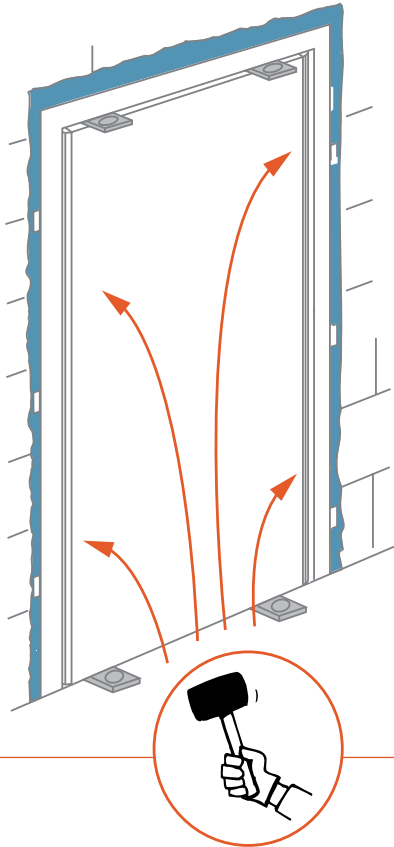


3b Injecting the mortar using a concrete pump



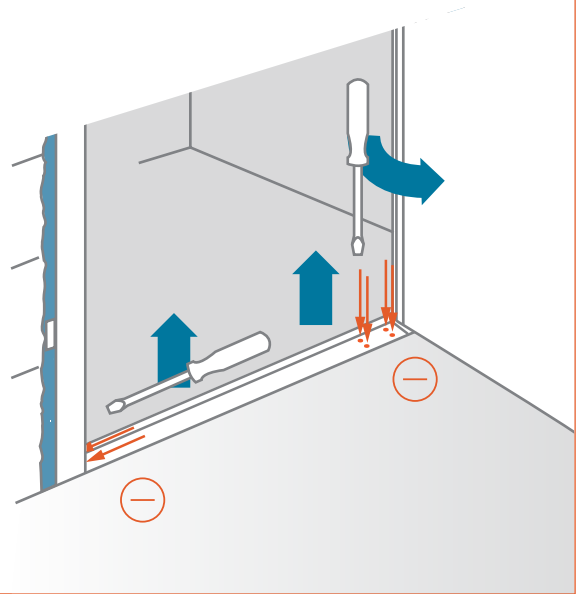
4

Tap the frame (using a rubber hammer) to ensure that the mortar is evenly distributed as it is applied.



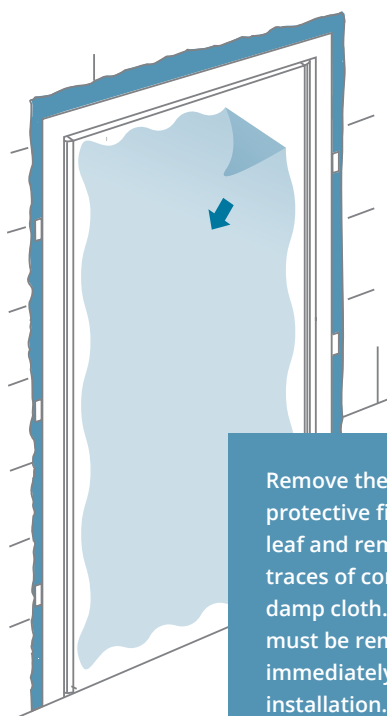
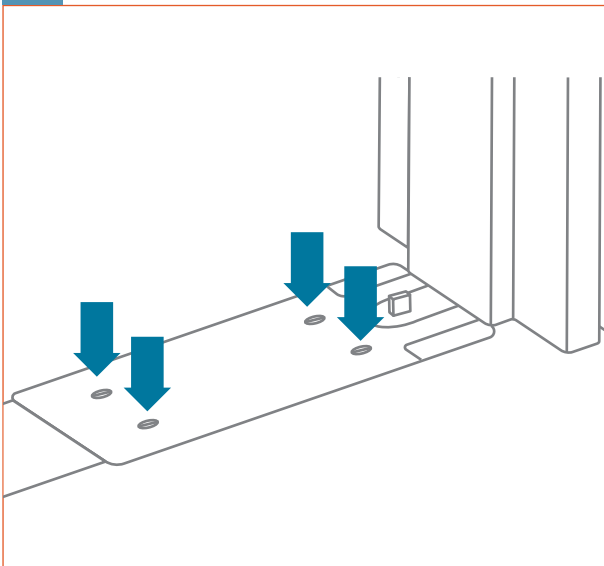
5a

Do not remove the caulking, props, shims or spacer bars until the mortar has set. The time this takes can vary depending on the type of mortar used.



6

5b Fixing the finishing floor plate



Remove the blue protective film from the leaf and remove any traces of concrete using a damp cloth. This film must be removed immediately after installation.

FINAL CHECK AND FINISHING



- Clean with a damp cloth.
- Do not clean with water or a pressure washer.



1. GENERAL TERMS

Unless otherwise stated, the 15-year warranty applies to all Heinen Metal + door blocks installed with the installation clamps and mortar filling. A 10 year guarantee applies to all door blocks installed by screwing, without concrete filling. The guarantee covers the mechanical stability of the door block and the seals. For glazing, hardware and other equipment, the warranty is limited to one year unless otherwise specified by the manufacturer.

2. CONDITIONS

The warranty is subject to:

1. the respect of the installation instructions as described in the appropriate Heinen installation manual;
2. use of the product in the context of normal use;
3. a clearly legible serial number (only valid for doors produced after Sept. 2016);
4. storage and assembly protected from the weather and in a dry environment;
5. the absence of any mention limiting or cancelling this warranty in the price offer or order confirmation.

3. EXCLUSIONS

Damage related to:

- an accident, abnormal use or caused by forced entry and/or vandalism;
- using harsh products (caustic cleaning products, road salt, etc.);
- corrosion or exposure to extreme weather conditions (flooding, storms, etc.);
- using a large quantity of water or using a high-pressure cleaner.

The warranty will be cancelled:

- if the door set has been fitted with locks, accessories or other fittings which have not been supplied by Heinen or have been imposed by the customer and not approved by Heinen;
- if the door set is modified and/or has fittings from a third party;
- if malfunctions occur linked to fitting the door set and/or hardware incorrectly.

4. LIABILITY LIMIT

If the Customer has suffered damage as a result of defects in the goods supplied by HEINEN DOORS BELGIUM, incorrect deliveries and/or deviations in quantities, the liability of HEINEN DOORS BELGIUM, without prejudice to what is stipulated in Article 10 of the General Terms and Conditions of Sale, is limited to the replacement of the missing or defective parts or the payment of the equivalent value of the price of the goods delivered, regardless of the amount of the damage suffered. In no event shall HEINEN DOORS BELGIUM be liable for indirect, incidental or consequential damages, such as, but not limited to, loss of business, loss of profits, additional costs, loss of turnover.

Heinen reserves the right to replace defective parts by parts with a slightly different design.



www.heinen-doors.com