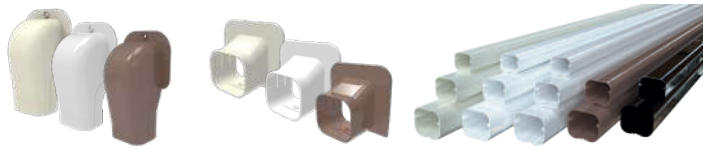


Catalog 36



INDEX PRODUCT

08 DUCTS FOR CONDITIONING
EXCELLENS



21 DUCTS FOR CONDITIONING
OPTIMA



34 SPLIT INSTALLATION BOXES



48 FLEXIBLE CONDENSATE DRAIN
PIPES



56 FITTINGS AND SLEEVES FOR
CONDENSATE DRAIN PIPES



62 RIGID CONDENSATE DRAIN PIPES



66 ANTI-ODOUR SIPHONS FOR SPLIT
UNITS
ANTI-ODOR SIPHONS FOR LARGE
SYSTEMS



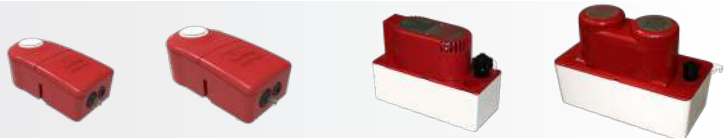
72 CONDENSATE TRAP
CONDENSATE TRAP WITH
HEATING CABLE



80 MINI CONDENSATE PUMPS
CONDENSATE PUMPS FOR AIR
CONDITIONERS



99 PUMPS WITH TANK



115 WALL BRACKETS AND BRACKETS
FOR AIR CONDITIONERS



129 STAINLESS STEEL WALL BRACKETS
STAINLESS STEEL BRACKETS FOR
AIR CONDITIONERS



INDEX PRODUCT

134 ROOF WALL BRACKETS FOR AIR CONDITIONERS



140 FLOOR SUPPORTS FOR AIR CONDITIONERS



150 FLOOR SUPPORTS



154 FLOOR SUPPORTS



161 VIBRATION-DAMPING FLOOR SUPPORTS



182 LIFTERS FOR HELPING DURING THE INSTALLATION OF AIR CONDITIONERS / DUCTS



184 EXTERNAL UNIT PROTECTION SYSTEMS



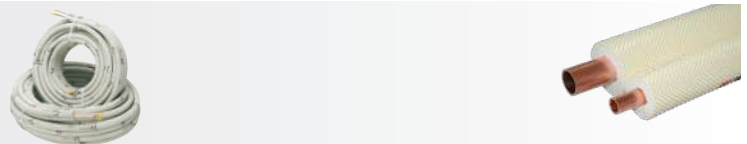
192 FLOW DIVERTERS UNIVERSAL REMOTE CONTROLS



196 SINGLE INSULATED COPPER PIPES



199 COUPLED INSULATED COPPER PIPES



202 COPPER PIPES IN RODS AND ACCESSORIES



211 ADHESIVE BANDS WELDING PRODUCTS





**CONDENSATE PUMP
SORRISO CLIMA
LED-SC 11 L**



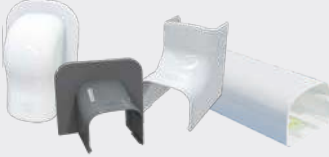
**CONDENSATE DRAIN
PIPE AND ACCESSORIES**



**CONDENSATE DRAIN
PIPE FOR TRUNKING**



**"EXCELLENS" DUCTS
AND ACCESSORIES**



**"OPTIMA" DUCTS
AND ACCESSORIES**

*all the solution
for your system*



**RUBBER FOOT BASES:
"EXTREME"**



**SECURITY CAGES
FOR EXTERNAL UNIT**



**FLOOR SUPPORTS:
"GENIUS"**



**PVC OUTDOOR UNIT
COVER CABINET**



**FLOOR BASES MOD.
"PITAGORA", "SUELO MINI", "SUELO MAXI"**



**LARGE ADJUSTABLE
FOOT MOUNT "GENIUS 1500R"**



PUMP WITH TANK



BUILT-IN ARRANGEMENT BOX



"EASY FLOW" MINI CONDENSATE PUMPS



UNDERMOUNT CONDENSATE DRAIN HOSE



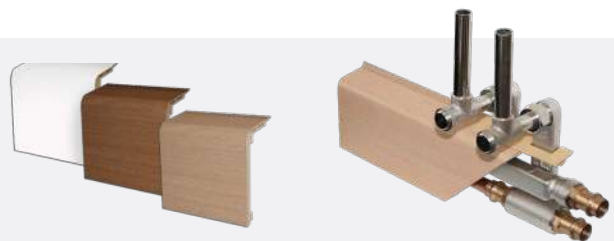
"EASY ONE" MINI CONDENSATE PUMPS



DRY SIPHON ANTI-ODOUR AND REMOVABLE WITH AESTHETIC LID "REGIO"



"EASY ONE" MINI CONDENSATE DRAIN PUMPS



PIPE COVER SKIRTING BOARD DUCTS IN PVC FAN COIL "REFILINE"



UNIVERSAL FINISHING FLANGE



FINISHING KITS FOR CONNECTIONS



CONDENSATE TRAP



WALL-BRACKETS FOR OUTDOOR UNITS



BRACKETS FOR OUTDOOR UNITS



ROOF BRACKETS

WHY TO CHOOSE

EXCELLENS



MADE IN ITALY

HIGH-GRADE EXTERNAL FINISH

FOCUS ON DESIGNING HIGHLY FUNCTIONAL DETAILS

RAW MATERIAL: SHOCK - AND UVA - RESISTANT RIGID PVC

GALVANISED SCREWS PROVIDE

ACCESSORY WITH SNAP-TOGETHER BASE AND COVER

ACCESSORIES WITH EDGE TO STOP THE DUCTS

TRUNKING WITH CLIP-TOGETHER CENTRAL LOCKING

BASE WITH PRE-PUNCHED SLOTS FOR WALL MOUNTING

ROUNDED BASE AND COVER

PAINTABLE

Range

To cater to a range of customer demands, tecnosystemi has come up with three professional trunking lines and relevant accessories for split systems that differ in terms of their technical content while sharing the same attractive appearance and ensuring lines are completely protected from external factors by virtue of the special snap-together design of the base and cover.

Quality

The tecnosystemi range of accessories has been designed with the utmost care and professionalism. They are attractively designed with careful attention to detail, sporting gentle curves and a slightly rounded shape to sit well in any surroundings

Professionalism

The impressive range provides a solution to any installation problem. The innovative snap-together design of the cover and base makes them easier to fasten and ensures their contents are fully protected from the elements.

PVC Cleaner



- ✓ IDEAL FOR CLEANING DUCTS AND ACCESSORIES. FOR CODES AND PRICES SEE PAG. 10 OF THE HAPPY CLEAN CATALOGUE

WHY TO INSTALL PROFESSIONAL DUCTS AND ACCESSORIES



The professional air conditioning duct that has distinguished us on the market for 30 years. Available in three sizes (60, 72 and 100) and in five versions (TOP LINE - NEW LINE - ECO LINE - BROWN LINE - BLACK LINE)

EXCELLENS



PATENTED MODEL



REACH CERTIFICATIONS



FIREPROOF MATERIAL



ECO-FRIENDLY MATERIAL



HIGH RESISTANCE



PAINTABLE MODELS



SHOCKPROOF



ANTI UVA RAYS

TOP LINE (IVORY)

The **"TOP LINE"** line stands out from the rest for the **superior quality of the raw material used, ensuring lasting product performance for years** to come. This is because it is made from self-extinguishing rigid pvc, in ivory, and has **high fire resistance** according to standard ul 341/0, as well as being **shock resistant and uva stabilised**.

NEW LINE (WHITE)

The **"NEW LINE"**, is made from self-extinguishing pvc, in white, which blends in perfectly with house interiors and exteriors alike. The pvc used has **high fire resistance and is uva stabilised**.

ECO LINE (PEARL)

"ECO LINE" is the line that tecnosystemi offers to customers looking for a budget alternative to the previous lines. It has the same TECHNICAL SPECIFICATIONS as the "top line" and "new line" lines and the raw material used (self-extinguishing pvc in pearl) means it is still a **good quality product**.

BROWN LINE (BROWN)

The **"BROWN LINE"** line stands out from the rest for the **superior quality of the raw material used, ensuring lasting product performance for years** to come. This is because it is made from self-extinguishing rigid pvc, in brown, and has **high fire resistance** according to standard ul 341/0, as well as being **shock resistant and uva stabilised**.

BLACK LINE (BLACK)

The **"BLACK LINE"** line stands out from the rest for the **superior quality of the raw material used, ensuring lasting product performance for years** to come. This is because it is made from self-extinguishing rigid pvc, in black, and has **high fire resistance** according to standard ul 341/0, as well as being **shock resistant and uva stabilised**.



EXCELLENS TB



DUCT WITH LEVEL



GOULOTTE AVEC BULLE



KANAL MIT WASSERWAAGE

TECHNICAL SPECIFICATIONS

- STIFF, SHOCKPROOF, ANTI-UVA AND RECYCLABLE PVC
- ROUNDED BOTTOM AND LID
- CLIP-TOGETHER CENTRAL FASTENING
- PRE-PUNCHED SLOTS IN BOTTOM FOR WALL MOUNTING
- FOUR-WAY SLIDING SPIRIT LEVEL SUPPLIED ON EACH 2 m BAR
- READY FOR INSERTION OF MINI PUMPS EASY FLOW, EASY ONE, AQUA SPLIT (SIZE 72 ONLY)
- LENGTH 2m
- PAINTABLE
- OPERATING TEMPERATURE -20 °C / + 60 °C

CARACTÉRISTIQUES TECHNIQUES

- PVC RIGIDE RÉSISTANT AUX CHOCS, ANTI-UVA ET RECYCLABLE
- FOND ET COUVERCLE ARRONDIS
- JOINT À RESSORT CENTRAL
- FOND AVEC FENTES POUR FIXATION MURALE
- BULLE COULISSANTE À QUATRE VOIES FOURNIE SUR CHAQUE BARRE DE 2 m
- PRÉDISPOSÉ POUR L'INSERTION DES MINI-POMPES EASY FLOW, EASY ONE ET AQUA SPLIT (TAILLE 72 UNIQUEMENT)
- LONGUEUR 2m
- PEUT ÊTRE PEINT
- TEMPÉRATURE DE FONCTION. -20°C/+60°C

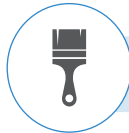
TECHNISCHE EIGENSCHAFTEN

- STOSSFESTES, ANTI-TRAUBEN- UND RECYCELBARES PVC
- UNTEN UND ABGERUNDETER DECKEL
- ZENTRALES FEDERGELENK
- ORISOLIERT ZUR BEFESTIGUNG
- 4-RICHTUNGS-BLASEN BEI JEDER 2-m-STANGE GELIEFERT
- VORBEREITET ZUM EINSETZEN DER EASY FLOW, EASY ONE, AQUA SPLIT MINI PUMPEN (NUR GRÖSSE 72)
- LÄNGE 2m
- LACKIERBAR
- ARBEITSTEMPERATUR -20 °C / + 60 °C

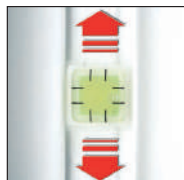
MADE IN ITALY



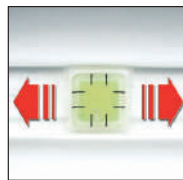
FOUR-WAY SLIDING LEVEL DEVICE



PAINTABLE



VERTICAL DUCT



HORIZONTAL DUCT



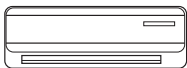
WHITE
RAL 9010
NEW LINE

PEARL
RAL 9003
ECO LINE



DOWNLOAD DATASHEET

APPLICATIONS



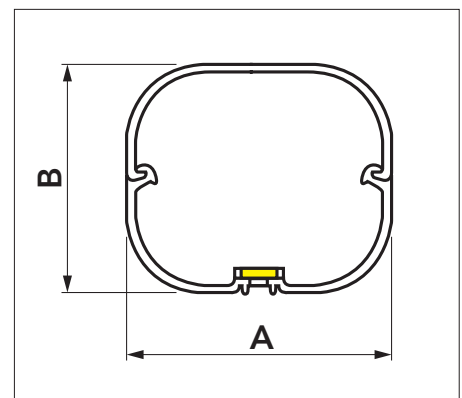
DUCT TB 60 - EXC Suitable for mono split installation



DUCT TB 72 - EXC Suitable for mono split or dual split installation



DUCT TB 100 - EXC Suitable for maximum 4 splits installation



MODEL	MIN.QTY	NEW LINE	ECO LINE	DIMENSIONS	
		CODE	CODE	A [mm]	B [mm]
TB 60 - EXC	10 pz.= 20 m	B-N11120060	B-E11120060	60	52
TB 72 - EXC	8 pz. = 16 m	B-N11120072	B-E11120072	72	64
TB 100 - EXC	5 pz. = 10 m	B-N11120010	B-E11120010	98	73

EXCELLENS T

STANDARD DUCT

GOULOTTE STANDARD

STANDARDKANAL

TECHNICAL SPECIFICATIONS

- STIFF, SHOCKPROOF, ANTI-UVA AND RECYCLABLE PVC
- ROUNDED BOTTOM AND LID
- CLIP-TOGETHER CENTRAL FASTENING
- PRE-PUNCHED SLOTS IN BOTTOM FOR WALL MOUNTING
- READY FOR INSERTION OF MINI PUMPS EASY FLOW, EASY ONE, AQUA SPLIT (SIZE 72 ONLY)
- LENGTH 2m
- PAINTABLE
- OPERATING TEMPERATURE -20°C/+ 60°C

CARACTÉRISTIQUES TECHNIQUES

- PVC RIGIDE RÉISTANT AUX CHOCS, ANTI-UVA ET RECYCLABLE
- FOND ET COUVERCLE ARRONDIS
- JOINT À RESSORT CENTRAL
- FOND AVEC FENTES POUR FIXATION MURALE
- PRÉDISPOSÉ POUR L'INSERTION DES MINI-POMPES EASY FLOW, EASY ONE ET AQUA SPLIT (TAILLE 72 UNIQUEMENT)
- LONGUEUR 2m
- PEUT ÊTRE PEINT
- TEMPÉRATURE DE FONCTION. -20°C/+60°C

TECHNISCHE EIGENSCHAFTEN

- STARRES, STOSSFESTES, UVA-GESCHÜTZTES UND RECYCELBARES PVC
- ABGERUNDETER BODEN UND ABDECKUNG
- ZENTRALEE FEDERNVERBINDUNG
- VORGEÖSTER BODEN ZUR WANDMONTAGE
- VORBEREITET FÜR DAS EINSETZEN DER EASY FLOW, EASY ONE, AQUA SPLIT MINI-PUMPEN (NUR IN GRÖSSE 72)
- LÄNGE 2m
- LACKIERBAR
- BETRIEBSTEMPERATUR -20 ° C / + 60 ° C

MADE IN ITALY



PAINTABLE



IVORY
RAL 9002
TOP LINE

WHITE
RAL 9010
NEW LINE

PEARL
RAL 9003
ECO LINE

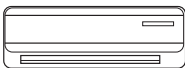
BROWN
RAL 8017
BROWN LINE

BLACK
RAL 9005
BLACK LINE



DOWNLOAD DATASHEET

APPLICATIONS



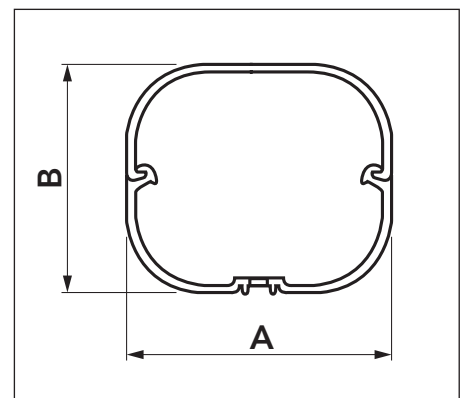
DUCT T 60 - EXC Suitable for mono split installation



DUCT T 72 - EXC Suitable for mono split or dual split installation



DUCT T 100 - EXC Suitable for maximum 4 splits installation



MODEL	MIN.QTY	TOP LINE	NEW LINE	ECO LINE	BROWN LINE*	BLACK LINE*	DIMENSIONS	
		CODE	CODE	CODE	CODE	CODE	A [mm]	B [mm]
T 60 - EXC	10 PZ. = 20 m	11120060	N11120060	E11120060	-	-	60	52
T 72 - EXC	8 PZ. = 16 m	11120072	N11120072	E11120072	SCD100006	SCD100051	72	64
T 100 - EXC	5 PZ. = 10 m	11120010	N11120010	E11120010	SCD100008	SCD100053	98	73

EXCELLENS TP

 **STANDARD DUCT WITH PROTECTIVE FILM**

 **GOULOTTE STANDARD AVEC PELLICULE DE PROTECTION**

 **STANDARDKANAL MIT SCHUTZFOLIE**

TECHNICAL SPECIFICATIONS

- STIFF, SHOCKPROOF, ANTI-UVA AND RECYCLABLE PVC
- ROUNDED BOTTOM AND LID
- CLIP-TOGETHER CENTRAL FASTENING
- PRE-PUNCHED SLOTS IN BOTTOM FOR WALL MOUNTING
- READY FOR INSERTION OF MINI PUMPS EASY FLOW, EASY ONE, AQUA SPLIT (SIZE 72 ONLY)
- COVER WITH TRANSPARENT BLUE PROTECTIVE FILM IN LOW DENSITY POLYETHYLENE
- LENGTH 2m
- PAINTABLE
- OPERATING TEMPERATURE -20 °C / + 60 °C

CARACTÉRISTIQUES TECHNIQUES

- PVC RIGIDE RÉSISTANT AUX CHOCS, ANTI-UVA ET RECYCLABLE
- FOND ET COUVERCLE ARRONDIS
- JOINT À RESSORT CENTRAL
- FOND AVEC FENTES POUR FIXATION MURALE
- PRÉDISPOSÉ POUR L'INSERTION DES MINI-POMPES EASY FLOW, EASY ONE ET AQUA SPLIT (TAILLE 72 UNIQUEMENT)
- COUVERCLE AVEC FILM PROTECTEUR EN POLYÉTHYLÈNE BASSE DENSITÉ BLEU TRANSPARENT
- LONGUEUR 2m
- PEUT ÊTRE PEINT
- TEMPÉRATURE DE FONCTION. -20°C / + 60°C

TECHNISCHE EIGENSCHAFTEN

- STARRES, STOSSFESTES, UVA-GESCHÜTZTESUND RECYCELBARES PVC
- ABGERUNDETER BODEN UND ABDECKUNG
- ZENTRALEE FEDERNVERBINDUNG
- VORGEÖSTER BODEN ZUR WANDMONTAGE
- VORBEREITET FÜR DAS EINSETZEN DER EASY FLOW, EASY ONE, AQUA SPLIT MINIPUMPEN (NUR IN GRÖSSE 72)
- ABDECKUNG MIT TRANSPARENTER BLAUER SCHUTZFOLIE AUS POLYETHYLEN, MIT NIEDRIGER DICHT
- LÄNGE 2m
- LACKIERBAR
- ARBEITSTEMPERATUR -20 °C / + 60 °C

 **MADE IN ITALY**



PROTECTIVE FILM IN LOW DENSITY POLYETHYLENE



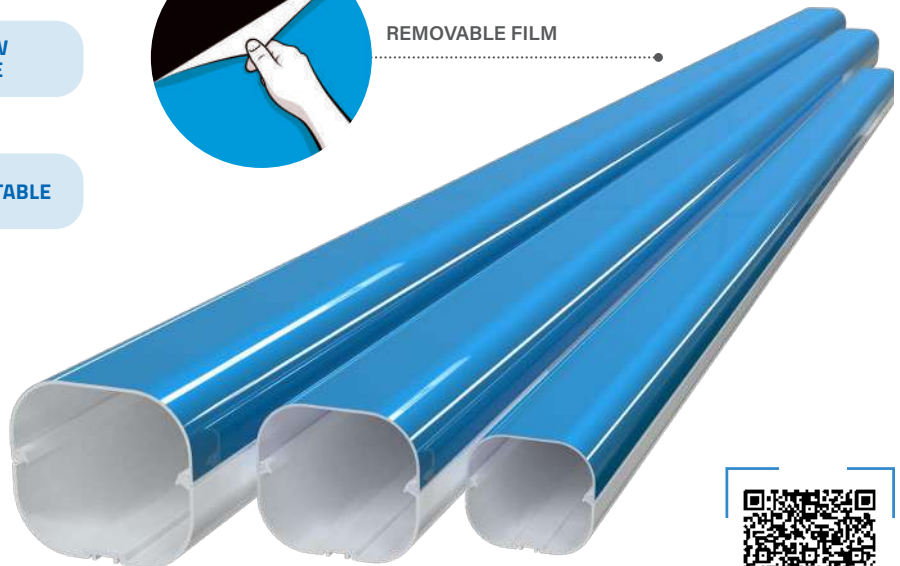
PAINTABLE



WHITE
RAL 9010
NEW LINE



REMOVABLE FILM



DOWNLOAD DATASHEET

APPLICATIONS



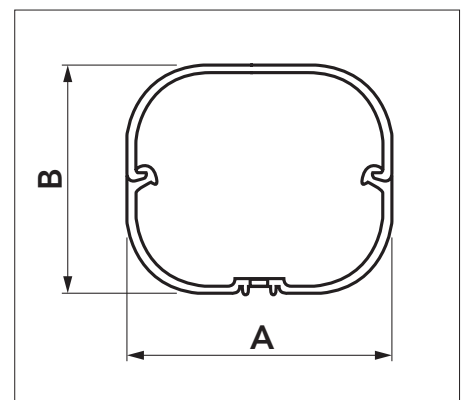
CANALINA TP 60 - EXC Suitable for mono split installation



CANALINA TP 72 - EXC Suitable for mono split or dual split installation



CANALINA TP 100 - EXC Suitable for maximum 4 splits installation



MODEL	CODE	MIN.QTY	DIMENSIONS	
			A [mm]	B [mm]
TP 60 - EXC	SCD100099	10 PZ. = 20 m	60	52
TP 72 - EXC	SCD100100	8 PZ. = 16 m	72	64
TP 100 - EXC	SCD100101	5 PZ. = 10 m	98	73

EXCELLENS

 ACCESSORIES

 ACCESSOIRES

 ZUBEHÖR

TECHNICAL SPECIFICATIONS


- STIFF, SHOCKPROOF, ANTI-UVA AND RECYCLABLE PVC
- INTERLOCKING BOTTOM AND LID
- DUCT PROFILE LOCATING RIDGE
- OUTER CONTOURING TO FACILITATE PIPE BENDS
- OUTER FLANGE HOLE COVER
- HEAT SHRINK BARCODE PACKAGING
- GALVANISED SCREW
- PAINTABLE
- OPERATING TEMPERATURE -20 °C / + 60 °C


CARACTÉRISTIQUES TECHNIQUES


- PVC RIGIDE ANTICHOC, ANTI-RAYONS UVA ET RECYCLABLE
- FOND ET COUVERCLE EMBOÎTABLES
- BUTÉE DE SUPPORT DE CONDUIT
- BOMBAGE EXTERNE POUR FACILITER LA COURBURE DES TUYAUX
- COURONNE EXT. DU COUVERCLE DE TROU
- EMBALLAGE AVEC CODES À BARRES THERMORÉTRACTABLES
- VIS GALVANISÉE
- PEUT ÊTRE PEINT
- TEMPÉRATURE DE FONCTION. -20°C / + 60°C

TECHNISCHE EIGENSCHAFTEN

- STOSSFESTES, ANTI-UVA-STRAHLEN UND RECYCELBARES PVC
- STECKBODEN UND -ABDECKUNG
- KABELKANAL-AUFLAGEANSCHLAG
- ÄUSSERE BOMBIERUNG, ZUR ERLEICHTERUNG DER ROHRKRÜMMUNG
- LOCHABDECKUNG EXTERNER KRANZ
- BARCODE-SCHRUMPPACKUNG
- VERZINKTE SCHRAUBE
- LACKIERBAR
- ARBEITSTEMPERATUR -20 °C / + 60 °C

 **IDEAL FOR CLEANING DUCTS AND ACCESSORIES. FOR CODES AND PRICES SEE PAGE 10 OF THE "HAPPY CLEAN" CATALOG**

 **IDÉAL POUR LE NETTOYAGE DES CONDUITS ET DES ACCESSOIRES. POUR LES CODES ET PRIX VOIR PAGE 10 DU CATALOGUE "HAPPY CLEAN"**

 **IDEAL FÜR DIE REINIGUNG VON LEITUNGEN UND ZUBEHÖR. CODES UND PREISE SIEHE SEITE 10 DES "HAPPY CLEAN" KATALOGS**

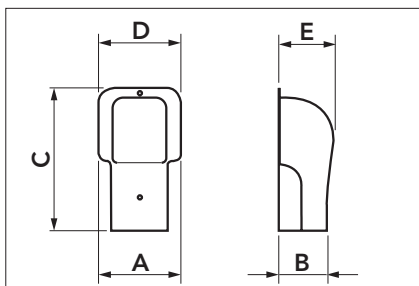


EXCELLENS TM

 WALL MOUNTED TERMINAL

 BORNE MURALE

 WANDTERMINAL



- IVORY - TOP LINE RAL 9002
- WHITE - NEW LINE RAL 9010
- PEARL - ECO LINE RAL 9003
- BROWN LINE RAL 8017
- BLACK LINE RAL 9005



DOWNLOAD DATASHEET

 **MADE IN ITALY**

MODEL	MIN. QTY	DIMENSIONS [mm]					TOP LINE	NEW LINE	ECO LINE	BROWN LINE	BLACK LINE
		A	B	C	D	E	CODE	CODE	CODE	CODE	CODE
TM 60-EXC	5 PZ.	66	56	165	96	68	11124160	N11124160	E11124160	-	-
TM 72-EXC	5 PZ.	78	68	185	108	78	11124172	N11124172	E11124172	SCD100010	SCD100055
TM 100-EXC	3 PZ.	104	78	220	137	92	11124110	N11124110	E11124110	SCD100011	SCD100056

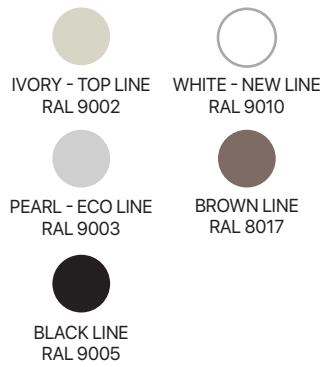
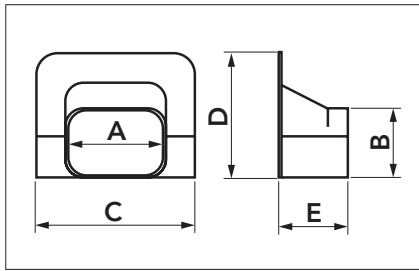
EXCELLENS TA

 CORNER
TERMINAL

 BORNE
EN ANGLE

 WINKEL-
ABSCHLUSS

 MADE IN ITALY



DOWNLOAD
DATASHEET

MODEL	MIN. QTY	DIMENSIONS [mm]					TOP LINE	NEW LINE	ECO LINE	BROWN LINE	BLACK LINE
		A	B	C	D	E	CODE	CODE	CODE	CODE	CODE
TA 60-EXC	5 PZ.	66	56	113	110	55	11122110	N11122110	E11122110	-	-
TA 72-EXC	5 PZ.	78	68	125	114	62	11122120	N11122120	E11122120	SCD100013	SCD100058
TA 100-EXC	3 PZ.	104	78	155	129	83	11122130	N11122130	E11122130	SCD100014	SCD100059

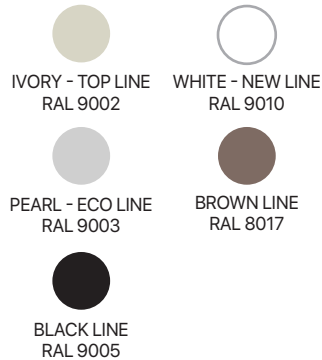
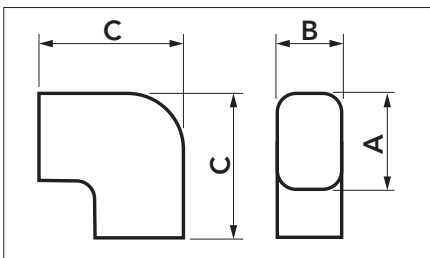
EXCELLENS CP

 FLAT
CURVE

 COURBE
PLATE

 FLACHE
KURVE

 MADE IN ITALY



DOWNLOAD
DATASHEET

MODEL	MIN. QTY	DIMENSIONS [mm]			TOP LINE	NEW LINE	ECO LINE	BROWN LINE	BLACK LINE
		A	B	C	CODE	CODE	CODE	CODE	CODE
CP 60 - EXC	5 PZ.	66	56	101	11120160	N11120160	E11120160	-	-
CP 72 - EXC	5 PZ.	78	68	118	11120172	N11120172	E11120172	SCD100016	SCD100061
CP 100 - EXC	3 PZ.	104	78	152	11120100	N11120100	E11120100	SCD100017	SCD100062

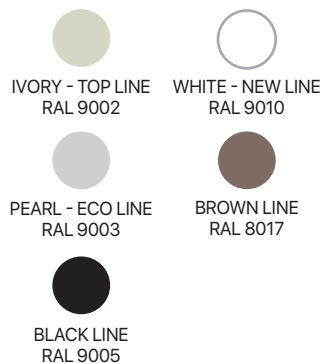
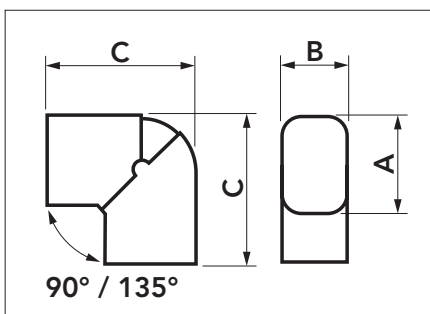
EXCELLENS CPS

 ARTICULATED
FLAT CURVE

 COURBE PLATE
ARTICULEE

 GELENKIGE
FLACHE KURVE

 MADE IN ITALY



DOWNLOAD
DATASHEET

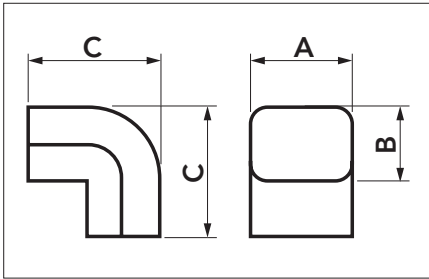
MODEL	DIMENSIONS [mm]			TOP LINE	NEW LINE	ECO LINE	BROWN LINE	BLACK LINE
	A	B	C	CODE	CODE	CODE	CODE	CODE
CPS 60 - EXC	66	56	110	11121111	N11121111	E11121111	-	-
CPS 72 - EXC	78	68	130	11121110	N11121110	E11121110	SCD100019	SCD100064

EXCELLENS CA CORNER CURVE

 COURBE EN ANGLE

 WINKEL-KURVE

 MADE IN ITALY



DOWNLOAD DATASHEET

MODEL	MIN. QTY	DIMENSIONS [mm]			TOP LINE	NEW LINE	ECO LINE	BROWN LINE	BLACK LINE
		A	B	C	CODE	CODE	CODE	CODE	CODE
CA 60 - EXC	5 PZ.	66	56	84	11120260	N11120260	E11120260	-	-
CA 72 - EXC	5 PZ.	78	68	98	11120272	N11120272	E11120272	SCD100021	SCD100066
CA 100 - EXC	3 PZ.	104	78	115	11120210	N11120210	E11120210	SCD100022	SCD100067

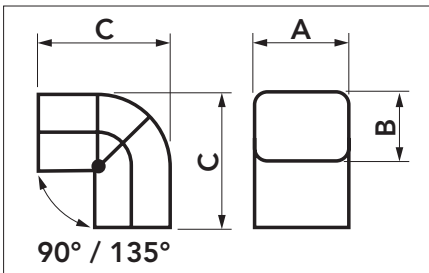
EXCELLENS CAS ARTICULATED CORNER CURVE

 COURBE EN ANGLE ARTICULÉE

 GELENKIGE WINKELKURVE

 MADE IN ITALY

ADJUSTABLE CURVATURE
RADIUS FROM 90° TO 135°



DOWNLOAD DATASHEET

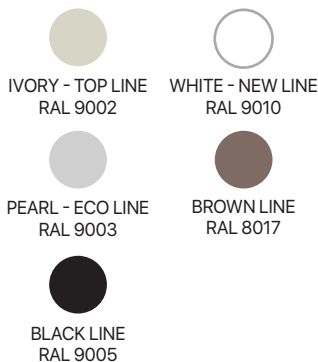
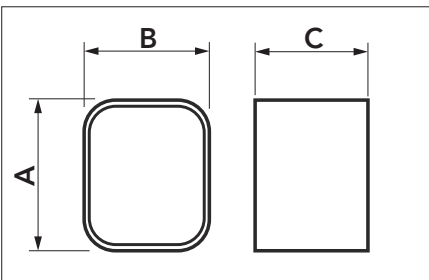
MODEL	DIMENSIONS [mm]			TOP LINE	NEW LINE	ECO LINE	BROWN LINE	BLACK LINE
	A	B	C	CODE	CODE	CODE	CODE	CODE
CAS 60 - EXC	66	56	104	11123111	N11123111	E11123111	-	-
CAS 72 - EXC	78	68	120	11123110	N11123110	E11123110	SCD100024	SCD100069

EXCELLENS MG JOINT SLEEVE

 MANCHON DE JONCTION

 VERBINDUNGS-MUFFE

 MADE IN ITALY

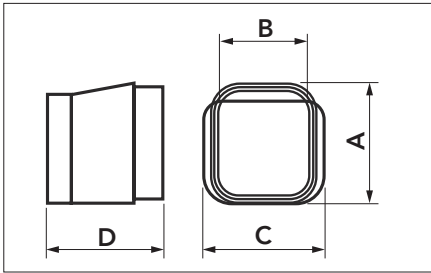





DOWNLOAD DATASHEET

MODEL	MIN. QTY	DIMENSIONS [mm]			TOP LINE	NEW LINE	ECO LINE	BROWN LINE	BLACK LINE
		A	B	C	CODE	CODE	CODE	CODE	CODE
MG 60 - EXC	5 PZ.	66	56	50	11121060	N11121060	E11121060	-	-
MG 72 - EXC	5 PZ.	78	68	50	11121072	N11121072	E11121072	SCD100026	SCD100071
MG 100 - EXC	3 PZ.	104	78	50	11121100	N11121100	E11121100	SCD100027	SCD100072

EXCELLENS MRU UNIVERSAL ROTATION SLEEVE MANCHON ROTATIF UNIVERSEL UNIVERSELLE ROTATIONSMUFFE

 MADE IN ITALY



-  IVORY - TOP LINE RAL 9002
-  WHITE - NEW LINE RAL 9010
-  PEARL - ECO LINE RAL 9003

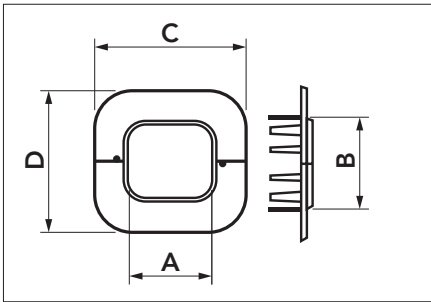







[DOWNLOAD DATASHEET](#)

MODEL	QTY MIN.	DIMENSIONS [mm]				TOP LINE	NEW LINE	ECO LINE
		A	B	C	D	CODE	CODE	CODE
MRU 60 - EXC	5 PZ.	66	56	66	62	11122140	N11122140	E11122140
MRU 72 - EXC	5 PZ.	78	68	78	74	11122150	N11122150	E11122150
MRU 100 - EXC	3 PZ.	104	78	104	103	11122160	N11122160	E11122160

EXCELLENS RM WALL FLANGE BRIDE MURALE WANDFLANSCH

 MADE IN ITALY



-  IVORY - TOP LINE RAL 9002
-  WHITE - NEW LINE RAL 9010
-  PEARL - ECO LINE RAL 9003
-  BROWN LINE RAL 8017
-  BLACK LINE RAL 9005

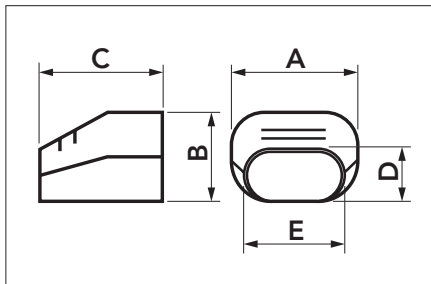





[DOWNLOAD DATASHEET](#)

MODEL	QTY MIN.	DIMENSIONS [mm]				TOP LINE	NEW LINE	ECO LINE	BROWN LINE	BLACK LINE
		A	B	C	D	CODE	CODE	CODE	CODE	CODE
RM 60 - EXC	5 PZ.	66	56	105	97	11122060	N11122060	E11122060	-	-
RM 72 - EXC	5 PZ.	78	68	120	112	11122072	N11122072	E11122072	SCD100032	SCD100077
RM 100 - EXC	3 PZ.	104	78	167	143	11122100	N11122100	E11122100	SCD100033	SCD100078

EXCELLENS TS PIPE OUTPUT TERMINAL BORNE SORTIE TUYAU ABSCHLUSS FÜR ROHRAUSTRITT

 MADE IN ITALY



-  IVORY - TOP LINE RAL 9002
-  WHITE - NEW LINE RAL 9010
-  PEARL - ECO LINE RAL 9003
-  BROWN LINE RAL 8017
-  BLACK LINE RAL 9005



[DOWNLOAD DATASHEET](#)

MODEL	QTY MIN.	DIMENSIONS [mm]					TOP LINE	NEW LINE	ECO LINE	BROWN LINE	BLACK LINE
		A	B	C	D	E	CODE	CODE	CODE	CODE	CODE
TS 60 - EXC	5 PZ.	66	56	75	33	60	11124060	N11124060	E11124060	-	-
TS 72 - EXC	5 PZ.	78	68	90	35	67	11124072	N11124072	E11124072	SCD100035	SCD100080
TS 100 - EXC	3 PZ.	104	78	110	35	67	11124100	N11124100	E11124100	SCD100036	SCD100081

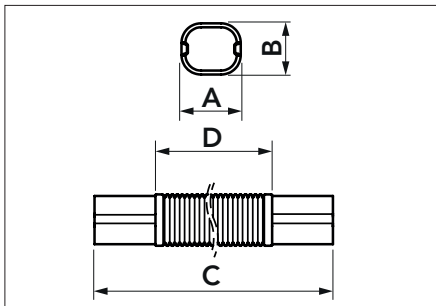
EXCELLENS MF

FLEXIBLE SLEEVE

MANCHON FLEXIBLE

FLEXIBLE MUFFE

MADE IN ITALY



IVORY - TOP LINE
RAL 9002

WHITE - NEW LINE
RAL 9010

PEARL - ECO LINE
RAL 9003



DOWNLOAD DATASHEET



MODEL	DIMENSIONS [mm]				TOP LINE	NEW LINE	ECO LINE
	A	B	C	D	CODE	CODE	CODE
MF 60 - EXC	60	52	520	420	11124495	N11124495	E11124495
MF 72 - EXC	72	64	520	420	11124500	N11124500	E11124500
MF 100 - EXC	98	73	520	420	11124505	N11124505	E11124505

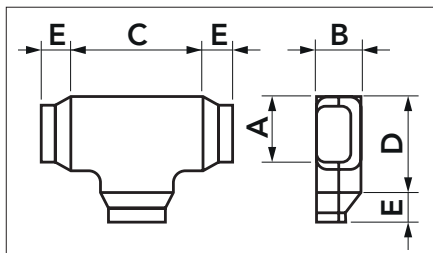
EXCELLENS DT

"T" SHUNT

DÉRIVATION EN "T"

"T"-ABZWEIGUNG

MADE IN ITALY



IVORY - TOP LINE
RAL 9002

WHITE - NEW LINE
RAL 9010

PEARL - ECO LINE
RAL 9003

BROWN LINE
RAL 8017

BLACK LINE
RAL 9005



DOWNLOAD DATASHEET

CHARACTERISTICS

DT 60 COMPOSED OF: N° 1 "T" 72 E N° 2 REDUCTIONS RC 72/60-EXC

DT 72 COMPOSED OF: N° 1 "T" 100 E N° 3 REDUCTIONS RC 100/72-EXC

DT 100 COMPOSED OF: N° 1 "T" 100 WITHOUT REDUCTIONS (SEE PAGE 17)

MODEL	QTY MIN.	DIMENSIONS [mm]					TOP LINE	NEW LINE	ECO LINE	BROWN LINE	BLACK LINE
		A	B	C	D	E	CODE	CODE	CODE	CODE	CODE
DT 60 - EXC	3 PZ.	66	56	166	125	38	11123060	N11123060	E11123060	-	-
DT 72 - EXC	3 PZ.	78	68	200	150	40	11123072	N11123072	E11123072	SCD100041	SCD100086
DT 100 - EXC	3 PZ.	104	78	200	150	-	11123100	N11123100	E11123100	SCD100042	SCD100087

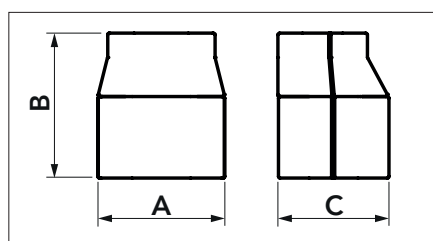
EXCELLENS RC

DUCT REDUCTION

RÉDUCTION POUR GOULOTTE

KANAL REDUZIERUNG

MADE IN ITALY



IVORY - TOP LINE
RAL 9002

WHITE - NEW LINE
RAL 9010

PEARL - ECO LINE
RAL 9003



DOWNLOAD DATASHEET

MODEL	DIMENSIONS [mm]			TOP LINE	NEW LINE	ECO LINE
	A	B	C	CODE	CODE	CODE
RC 72/60 - EXC	78	90	68	11123080	N11123080	E11123080
RC 100/72 - EXC	104	90	77	11123105	N11123105	E11123105

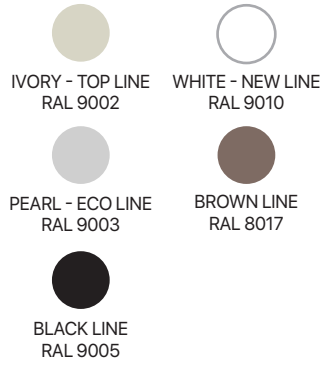
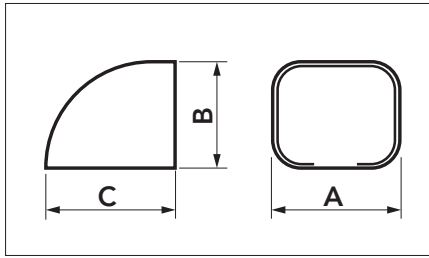
EXCELLENS TC

 CLOSING CAP

 BOUCHON DE FERMETURE

 VERSCHLUSS-KAPPE

 MADE IN ITALY



DOWNLOAD DATASHEET

MODEL	QTY MIN.	DIMENSIONS [mm]			TOP LINE	NEW LINE	ECO LINE	BROWN LINE	BLACK LINE
		A	B	C	CODE	CODE	CODE	CODE	CODE
TC 60 - EXC	5 PZ.	66	56	66	-	N11122170	E11122170	-	-
TC 72 - EXC	5 PZ.	78	68	78	11122180	N11122180	E11122180	SCD100038	SCD100083
TC 100 - EXC	3 PZ.	104	78	90	11122190	N11122190	E11122190	SCD100039	SCD100084

RFE

 UNIVERSAL FINISH FLANGE

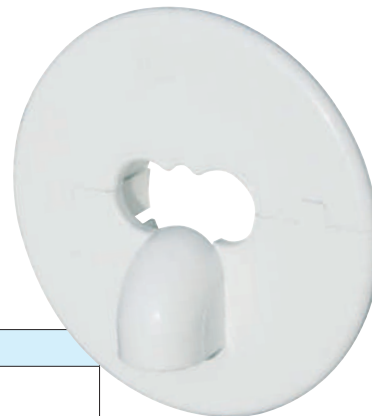
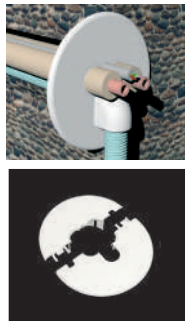
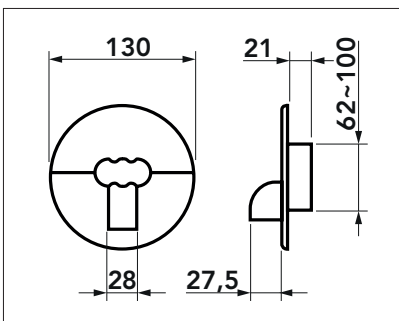
 BRIDE DE FINITION UNIVERSELLE

 UNIVERSELLE VEREDELUNGS FLANSCH

- HIGH FINISH
- FOR HOLES FROM Ø 62 TO Ø 100 (mm)
- REAR SPRINGS SUPPLIED

- HAUTE FINITION
- POUR TROUS DE Ø 62 À Ø 100 (mm)
- RESSORTS ARRIERE FOURNIS

- HOHE FINISH
- FÜR LÖCHER VON Ø 62 BIS Ø 100 (mm)
- HINTERE FEDERN MITGELIEFERT



 MADE IN ITALY



DOWNLOAD DATASHEET

CODE	DESCRIPTION
N11122000	RFE" UNIVERSAL FINISH FLANGE WHITE COLOUR (PACK 5 PCS)

RA

 UNIVERSAL TEAR-PROOF FLANGE

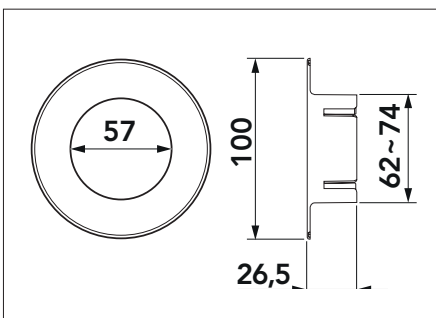
 BRIDE ANTI-DÉCHIRURE UNIVERSELLE

 UNIVERSAL REISSFESTE FLANSCH

- FOR HOLES FROM Ø 62 TO Ø 74 (mm)
- REAR SPRINGS SUPPLIED

- POUR TROUS DE Ø 62 À Ø 74 (mm)
- RESSORTS ARRIERE FOURNIS

- FÜR LÖCHER VON Ø 62 BIS Ø 74 (mm)
- HINTERE FEDERN MITGELIEFERT



 MADE IN ITALY



DOWNLOAD DATASHEET

CODE	DESCRIPTION
N11122001	UNIVERSAL TEAR-PROOF FLANGE

KA

TEAR-PROOF KIT

KIT ANTI-DÉCHIRURE

REISSFESTER BAUSATZ

TECHNICAL SPECIFICATIONS

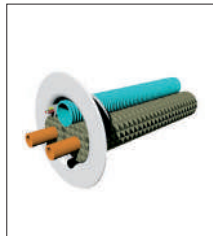
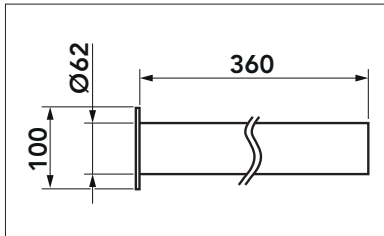
- STIFF, SHOCKPROOF, ANTI-UVA AND RECYCLABLE PVC
- KIT CONSISTING:
 - N° 1 RA LOCKING ROSETTE
 - N° 1 PIPE FEEDTHROUGH
 - HEAT SHRINK BARCODE PACKAGING

CARACTÉRISTIQUES TECHNIQUES

- PVC RIGIDE RÉSISTANT AUX CHOCS, ANTI-UVA ET RECYCLABLE
- KIT COMPOSÉ DE:
 - N° 1 BRIDE ANTI-DÉCHIRURE UNIVERSELLE RA
 - N° 1 TUYAU DE PASSAGE DE TUBES
 - EMBALLAGE AVEC CODES À BARRES THERMORÉTRACTABLES

TECHNISCHE EIGENSCHAFTEN

- STARRES, STOSSFESTES, UVA-GESCHÜTZTES UND RECYCELBARES PVC
- KIT BESTEHEND AUS:
 - 1 RA UNIVERSAL REISSFESTE FLANSCH
 - 1 ROHRDURCHGANGSROHR
 - BARCODE-SCHRUMPPACKUNG



 MADE IN ITALY



DOWNLOAD DATASHEET

CODE	DESCRIPTION	COLOUR
N11122002	KA TEAR-PROOF KIT WHITE COLOUR	WHITE
11122002	KA TEAR-PROOF KIT IVORY COLOUR	IVORY

KARFE

UNIVERSAL TEAR-PROOF KIT PLUS FINISH FLANGE

KIT UNIVERSEL ANTI-DÉCHIRURE PLUS BRIDE DE FINITION

UNIVERSELLER REISSFESTER BAUSATZ PLUS VEREDELUNGS FLANSCH

TECHNICAL SPECIFICATIONS

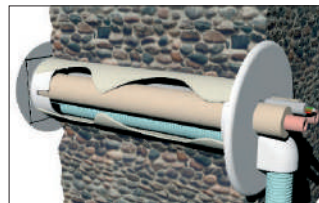
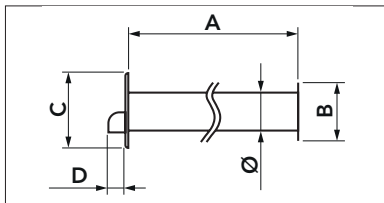
- RIGID SHOCKPROOF, ANTI-UVA RAYES AND RECYCLABLE PVC
- KIT COMPOSITION:
 - N° 1 KA ANTI-TEAR KIT
 - N° 1 RFE FINISHING FLANGE
 - PACKAGING WITH BAR CODE IN SHRINK

CARACTÉRISTIQUES TECHNIQUES

- PVC RIGIDE ANTICHOC, ANTI-RAYONS UVA ET RECYCLABLE
- COMPOSITION DU KIT :
 - N° 1 KIT ANTI-DÉCHIRURE KA
 - N° 1 BRIDE DE FINITION RFE
 - EMBALLAGE À CODE-BARRES EN RÉTRACTABLE

TECHNISCHE EIGENSCHAFTEN

- STOSSFESTES, ANTI-UVA-STRAHLEN UND RECYCELBARES PVC
- ZUSAMMENSETZUNG DES KITS:
 - N° 1 ANTI-REIß-SET
 - N° 1 RFE ABSCHLUSSFLANSCH
 - VERPACKUNG MIT BARCODE IN SCHRUMPF



 MADE IN ITALY



DOWNLOAD DATASHEET

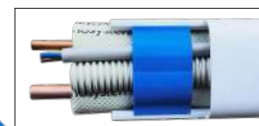
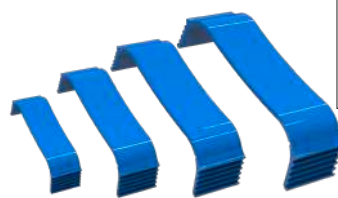
CODE	DESCRIPTION	A [mm]	B [mm]	C [mm]	D [mm]	Ø [mm]
N11122003	KARFE UNIVERSAL TEAR-PROOF KIT PLUS FINISH FLANGE WHITE COLOUR L.350	350	100	130	27,5	62
SCD100126	KARFE UNIVERSAL TEAR-PROOF KIT PLUS FINISH FLANGE WHITE COLOUR L.500	500	100	130	27,5	62

BLOCK PIPE STOP FOR EXCELLENS DUCT

BLOC D'ARRÊT DE TUYAU POUR GOULOTTE EXCELLENS

SCHLAUCHBINDER FÜR EXCELLENS-KANAL

CODE	MODEL	QTY MIN.
11125016	BLOCK T - 60	20
11125017	BLOCK T - 72	20
11125018	BLOCK T - 100	20
SCD100122	BLOCK T - 135	20



 MADE IN ITALY



DOWNLOAD DATASHEET 19



CABLE TIE FOR
FIXING PIPES IN DUCT

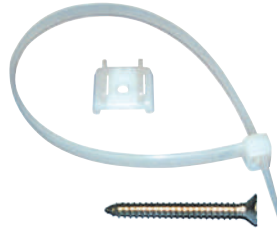


COLLIER POUR FIXER
TUYAUX DANS GOULOTTE



SCHELLE ZUM BEFESTIGEN
VON ROHREN IN EINEM KANAL

MADE IN ITALY



DOWNLOAD
DATASHEET

CODE	MODEL	QTY MIN.
11125010	X T - 60	10
11125000	X T - 72 / T - 100	10



DUCT FIXING



FIXATION POUR GOULOTTE



KANALBEFESTIGUNG

MADE IN ITALY



DOWNLOAD
DATASHEET

CODE	DESCRIPTION
11125015	DUCT FIXING (10 pcs. pack)



UNIVERSAL
DUCT CUTTER
PLIERS



PINCE COUPE-
GOULOTTE
UNIVERSELLE



UNIVERSAL-
KANAL-
SCHNEIDER

THE ONLY DUCT
CUTTER PLIERS
THAT CUT THE BASE
AND COVER ALL IN ONE
GO

LA SEULE PINCE COUPE-
GOULOTTE QUI COUPE LE
FOND ET LE COUVERCLE
EN UNE SEULE
OPÉRATION

DIE EINZIGE
KANALSCHNEIDER,
DIE DEN BODEN UND DIE
ABDECKUNG IN EINEM
ARBEITSGANG SCHNEIDET



DOWNLOAD
DATASHEET



CODE	DESCRIPTION
SCC100003	UNIVERSAL DUCT CUTTER



REPLACEMENT BLADE
FOR UNIVERSAL DUCT
CUTTING PLIERS

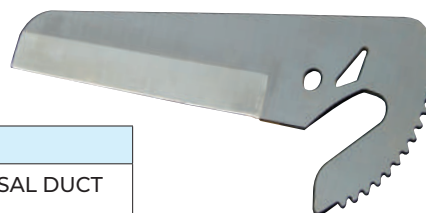


LAME DE RECHANGE
POUR PINCE COUPE-
GOULOTTE UNIVERSELLE



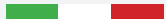
ERSATZMESSER
FÜR UNIVERSAL-
KANALSCHNEIDER

CODE	DESCRIPTION
SCC100004	REPLACEMENT BLADE FOR UNIVERSAL DUCT CUTTING PLIERS



DOWNLOAD
DATASHEET

WHY TO CHOOSE

 **MADE IN ITALY**

 **PAINTABLE**



HIGH-GRADE EXTERNAL FINISH



FOCUS ON DESIGNING HIGHLY FUNCTIONAL DETAILS



RAW MATERIAL: SHOCK AND UVA-RESISTANT RIGID PVC



NEW ACCESSORIES DESIGN FUNCTION AND ELEGANCE



SNAP TOGETHER ACCESSORY



BASE WITH TWIN PRE-PUNCHED SLOTS FOR WALL FASTENING



TRUNKING WITH CENTRAL ACCIDENTAL DISCONNECT PREVENTION LOCKING (**PATENTED**)

PVC Cleaner



✓ IDEAL FOR CLEANING DUCTS AND ACCESSORIES. FOR CODES AND PRICES SEE PAG. 10 OF THE HAPPY CLEAN CATALOGUE



ROUNDED COVER AND SHARP-EDGED BASE



WHY INSTALL PROFESSIONAL DUCTS AND ACCESSORIES



The Optima duct series, **available in 5 sizes (35, 62, 75, 102, 135)**, is the most refined and functional one on the market today.

The Optima TB model, equipped with a **four-way spirit level**, further emphasises the qualities of a product that was created with the common goal of the entire range: to offer **quick, simple and concrete solutions to installation problems, while at the same time giving a pleasant aesthetic result which harmonises with current design trends.**

The Optima Full Cover ducts have a completely enveloping cover that closes flush with the wall. A practical protective film is applied to the cover to be removed when the work is completed. The removable film is used to protect the duct during the installation phase. Once the operation is completed, it will be removed ensuring cleanliness of the duct itself.



PATENTED
MODEL



REACH
CERTIFICATION



FIREPROOF
MATERIAL



ECOLOGICAL
MATERIAL



ANTI-THEFT



UVA-PROOF



HIGH
RESISTANCE



PAINTABLE
MODELS



RAL 9010
(WHITE)



RAL 7016
(GREY)



OPTIMA TB

 **DUCT WITH LEVEL**

 **GOULOTTE AVEC BULLE**

 **KANAL MIT WASSERWAAGE**

TECHNICAL SPECIFICATIONS

- STIFF, SHOCKPROOF, ANTI-UVA PVC, WHITE, RECYCLABLE
- SHARP-EDGED BOTTOM
- PRE-PUNCHED SLOTS FOR WALL MOUNTING
- FOUR-WAY SLIDING SPIRIT LEVEL SUPPLIED ON EACH 2M BAR
- READY FOR INSERTION OF MINI PUMPS EASY FLOW, EASY ONE, AQUA SPLIT (SIZE 75 ONLY)
- CENTRAL CLOSURE WITH PATENTED ACCIDENTAL ANTI-RELEASE
- ROUNDED COVER
- BAR LENGTH 2 M
- PAINTABLE
- OPERATING TEMPERATURE -20°C / +60°C

CARACTÉRISTIQUES TECHNIQUES

- RÉSISTANT AUX CHOCES RIGIDE, ANTI-UVA, PVC BLANC, RECYCLABLE
- FOND À BORDS VIFS
- ÉQUIPÉ DE FENTES POUR LE MONTAGE MURAL
- BULLE COULISSANTE À QUATRE VOIES FOURNIE SUR CHAQUE BARRE DE 2 M
- PRÉDISPOSÉ POUR L'INSERTION DES MINI-POMPES EASY FLOW, EASY ONE ET AQUA SPLIT (TAILLE 75 UNIQUEMENT)
- FERMETURE CENTRALE AVEC BREVET ANTI-DÉBLOCAGE ACCIDENTEL
- COUVERCLE ARRONDI
- LONGUEUR DE LA BARRE 2 M
- PEUT ÊTRE PEINT
- TEMPÉRATURE DE FONCTION. -20°C / +60°C

TECHNISCHE EIGENSCHAFTEN

- STARRES STOSSFESTES, UVA-GESCHÜTZTES, WEISSES PVC, RECYCLBAR
- KANTENFÖRMIGER BODEN
- VORGEÖST FÜR DIE WANDMONTAGE
- VIER-WEGE-SCHIEBE-WASSERWAAGE AUF JEDER 2 M STANGE, IM LIEFERUMFANG ENTHALTEN
- VORBEREITET FÜR DAS EINSETZEN DER EASY FLOW, EASY ONE, AQUA SPLIT MINI-PUMPEN (NUR GRÖSSE 75)
- ZENTRALVERRIEGELUNG MIT PATENTIERTEM SCHUTZ GEGEN VERSEHENTLICHES AUSHAKEN
- ABGERUNDETE ABDECKUNG
- STABLÄNGE 2 M
- LACKIERBAR
- BETRIEBSTEMPERATUR -20 °C / + 60 °C



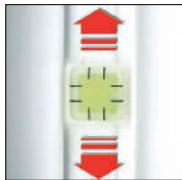
CLOSURE WITH PATENTED ACCIDENTAL ANTI-RELEASE



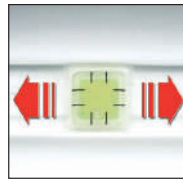
PAINTABLE



FOUR-WAY SLIDING LEVEL DEVICE



VERTICAL DUCT



HORIZONTAL DUCT



 **MADE IN ITALY**

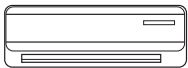


WHITE
RAL 9010



DOWNLOAD DATASHEET

APPLICATIONS



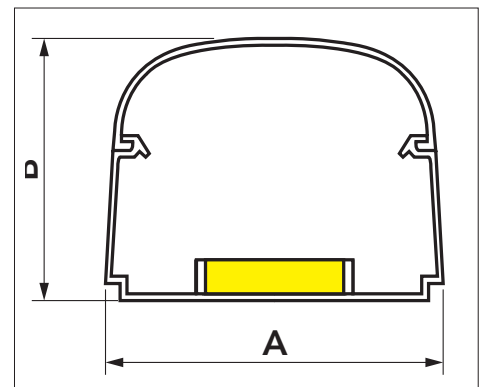
DUCT TB62 - OPT Suitable for mono split installation



DUCT TB75 - OPT Suitable for mono split or dual split installation



DUCT TB102 - OPT Suitable for maximum 4 splits installation



MODEL	CODE	MIN.QTY	DIMENSIONS	
			A [mm]	B [mm]
TB 62 - OPT	B-11130062	14 PZ. = 28 m	62	46
TB 75 - OPT	B-11130075	10 PZ. = 20 m	74	56
TB 102 - OPT	B-11130100	7 PZ. = 14 m	100	66

OPTIMA T



STANDARD DUCT

GOULOTTE STANDARD

STANDARDKANAL

TECHNICAL SPECIFICATIONS

- STIFF, SHOCKPROOF, ANTI-UVA PVC, RECYCLABLE
- SHARP-EDGED BOTTOM
- PRE-PUNCHED SLOTS FOR WALL MOUNTING
- READY FOR INSERTION OF MINI PUMPS EASY FLOW, EASY ONE, AQUA SPLIT (SIZE 75 ONLY)
- CENTRAL CLOSURE WITH PATENTED ACCIDENTAL ANTI-RELEASE
- ROUNDED COVER
- BAR LENGTH 2 M
- PAINTABLE
- OPERATING TEMPERATURE -20°C / +60°C

CARACTÉRISTIQUES TECHNIQUES

- RÉซิสTANT AUX CHOCS RIGIDE, ANTI-UVA, PVC RECYCLABLE
- FOND À BORDS VIFS
- ÉQUIPÉ DE FENTES POUR LE MONTAGE MURAL
- PRÉDISPOSÉ POUR L'INSERTION DES MINI-POMPES EASY FLOW, EASY ONE ET AQUA SPLIT (TAILLE 75 UNIQUEMENT)
- FERMETURE CENTRALE AVEC BREVET ANTI-DÉBLOCAGE ACCIDENTEL
- COUVERCLE ARRONDI
- LONGUEUR DE LA BARRE 2 M
- PEUT ÊTRE PEINT
- TEMPÉRATURE DE FONCTION. -20°C / +60°C

TECHNISCHE EIGENSCHAFTEN

- STARRES STOSSFESTES, UVA-GESCHÜTZTES, PVC RECYCELBAR
- KANTENFÖRMIGER BODEN
- VORGEÖST FÜR DIE WANDMONTAGE
- VORBEREITET FÜR DAS EINSETZEN DER EASY FLOW, EASY ONE, AQUA SPLIT MINI-PUMPEN (NUR GRÖSSE 75)
- ZENTRALVERRIEGELUNG MIT PATENTIERTEM SCHUTZ GEGEN VERSEHENTLICHES AUSHAKEN
- ABGERUNDETE ABDECKUNG
- STABLÄNGE 2 M
- LACKIERBAR
- BETRIEBSTEMPERATUR -20°C / +60°C



PAINTABLE



WHITE
RAL 9010
OPTIMA

GREY
RAL 7016
OPTIMA



MADE IN ITALY



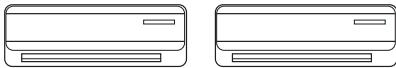
DOWNLOAD DATASHEET

APPLICATIONS

DUCT T35 - OPT-FC Suitable for condensate drain pipe and electrical cables



DUCT T62 - OPT-FC Suitable for mono split installation



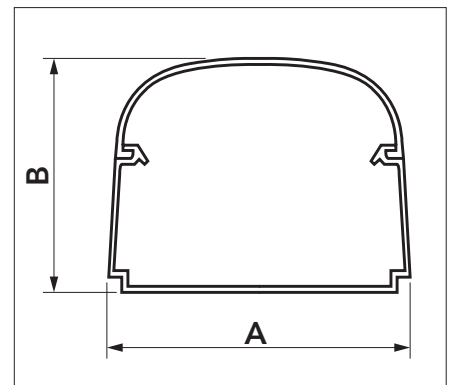
DUCT T75 - OPT-FC Suitable for mono split or dual split installation



DUCT T102 - OPT-FC Suitable for maximum 3 splits installation



DUCT T135 - OPT-FC Suitable for maximum 4 splits installation



MODEL	RAL 9010	RAL 7016	MIN.QTY	DIMENSIONS	
	CODE	CODE		A [mm]	B [mm]
T 35 - OPT	SCD100136	-	40 PZ. = 80 m	32	28
T 62 - OPT	11130062	-	18 PZ. = 36 m	62	46
T 75 - OPT	11130075	SCD100146	14 PZ. = 28 m	74	56
T 102 - OPT	11130100	SCD100147	8 PZ. = 16 m	100	66
T 135 - OPT	SCD100123	SCD100148	4 PZ. = 8 m	135	82

OPTIMA TP FULL COVER

 **STANDARD DUCT WITH PROTECTIVE FILM**

 **GOULOTTE STANDARD AVEC PELLICULE DE PROTECTION**

 **STANDARDKANAL MIT SCHUTZFOLIE**

TECHNICAL SPECIFICATIONS

- STIFF, SHOCKPROOF, ANTI-UVA PVC, WHITE, RECYCLABLE
- SHARP-EDGED BOTTOM
- PRE-PUNCHED SLOTS FOR WALL MOUNTING
- READY FOR INSERTION OF MINI PUMPS EASY FLOW, EASY ONE, AQUA SPLIT (SIZE 75 ONLY)
- WALL-MOUNTED FLUSH CLOSING
- ROUNDED COVER
- COVER WITH TRANSPARENT BLUE PROTECTIVE FILM IN LOW DENSITY POLYETHYLENE
- BAR LENGTH 2 M
- PAINTABLE
- OPERATING TEMPERATURE -20°C / +60°C

CARACTÉRISTIQUES TECHNIQUES

- RÉSISTANT AUX CHOCS RIGIDE, ANTI-UVA, PVC BLANC, RECYCLABLE
- FOND À BORDS VIFS
- ÉQUIPÉ DE FENTES POUR LE MONTAGE MURAL
- PRÉDISPOSÉ POUR L'INSERTION DES MINI-POMPES EASY FLOW, EASY ONE ET AQUA SPLIT (TAILLE 75 UNIQUEMENT)
- FERMETURE AU RAS DU MUR
- COUVERCLE ARRONDI
- COUVERCLE AVEC FILM PROTECTEUR EN POLYÉTHYLÈNE BASSE DENSITÉ BLEU TRANSPARENT
- LONGUEUR DE LA BARRE 2 M
- PEUT ÊTRE PEINT
- TEMPÉRATURE DE TRAVAIL -20°C / +60°C

TECHNISCHE EIGENSCHAFTEN

- STARRES STOSSFESTES, UVA-GESCHÜTZTES, WEISSES PVC, RECYCLBAR
- KANTENFÖRMIGER BODEN
- VORGEÖST FÜR DIE WANDMONTAGE
- VORBEREITET FÜR DAS EINSETZEN DER EASY FLOW, EASY ONE, AQUA SPLIT MINI-PUMPEN (NUR GRÖSSE 75)
- MIT WAND BÜNDIGER VERSCHLUSS
- ABGERUNDETE ABDECKUNG
- ABDECKUNG MIT TRANSPARENTER BLAUER SCHUTZFOLIE AUS POLYETHYLEN, MIT NIEDRIGER DICHT
- STABLÄNGE 2 M
- LACKIERBAR
- BETRIEBSTEMPERATUR -20°C / +60°C



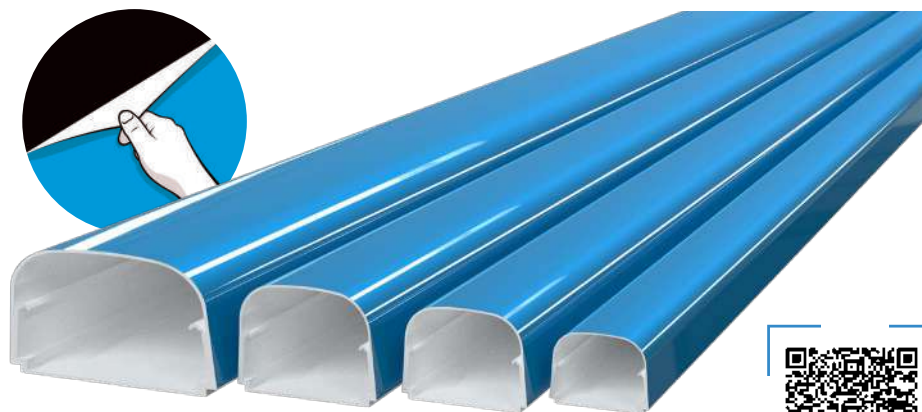
PAINTABLE

WITH REMOVABLE FILM

 **MADE IN ITALY**

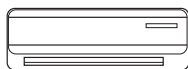


WHITE
RAL 9010



DOWNLOAD DATASHEET

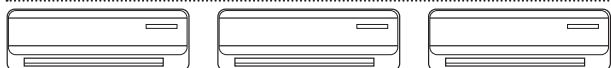
APPLICATIONS



DUCT TP62 - OPT-FC Suitable for mono split installation



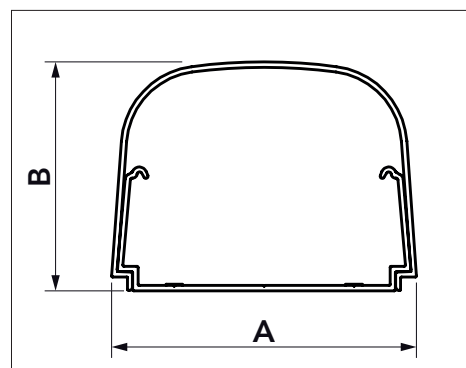
DUCT TP75 - OPT-FC Suitable for mono split or dual split installation



DUCT TP102 - OPT-FC Suitable for maximum 3 splits installation



DUCT TP135 - OPT-FC Suitable for maximum 4 splits installation



MODEL	CODE	MIN.QTY	DIMENSIONS	
			A [mm]	B [mm]
TP 62 - OPT-FC	SCD100105	12 PZ. = 24 m	62	46
TP 75 - OPT-FC	SCD100106	8 PZ. = 16 m	74	56
TP 102 - OPT-FC	SCD100107	6 PZ. = 12 m	100	66
TP 135 - OPT-FC	SCD100125	4 PZ. = 14 m	135	82

OPTIMA T FULL COVER

 DUCT

 GOULOTTE

 KANAL

TECHNICAL SPECIFICATIONS

- STIFF, SHOCKPROOF, ANTI-UVA PVC, WHITE, RECYCLABLE
- SHARP-EDGED BOTTOM
- PRE-PUNCHED SLOTS FOR WALL MOUNTING
- READY FOR INSERTION OF MINI PUMPS EASY FLOW, EASY ONE, AQUA SPLIT (SIZE 75 ONLY)
- WALL-FLUSH CLOSING
- ROUNDED COVER
- BAR LENGTH 2 M
- PAINTABLE
- OPERATING TEMPERATURE -20°C/+60°C

CARACTÉRISTIQUES TECHNIQUES

- PVC RIGIDE ANTICHOC, ANTI-RAYONS UVA ET RECYCLABLE, COULEUR BLANCHE
- BORD BAS
- PRÉ-ISOLÉ POUR FIXATION MURALE
- PRÉPARÉ POUR L'INSERTION DES MINI POMPES EASY FLOW, EASY ONE, AQUA SPLIT (UNIQUEMENT TAILLE 75)
- FERMETURE DU MUR
- COUVERCLE ARRONDI
- LONGUEUR BARRE 2 M
- À PEINDRE
- TEMPÉRATURE DE FONCTION. -20°C/+60°C

TECHNISCHE EIGENSCHAFTEN

- STARRES STOSSFESTES, UVA-GESCHÜTZTES, WEISSES PVC, RECYCELBAR
- KANTENFÖRMIGER BODEN
- VORGEÖST FÜR DIE WANDMONTAGE
- VORBEREITET FÜR DAS EINSETZEN DER EASY FLOW, EASY ONE, AQUA SPLIT MINI-PUMPEN (NUR GRÖSSE 75)
- MIT WAND BÜNDIGER VERSCHLUSS
- ABGERUNDETE ABDECKUNG
- STABLÄNGE 2 M
- LACKIERBAR
- BETRIEBSTEMPERATUR -20°C / +60°C



PAINTABLE

WALL-FLUSH CLOSING



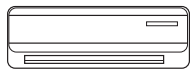
WHITE
RAL 9010

 MADE IN ITALY



DOWNLOAD DATASHEET

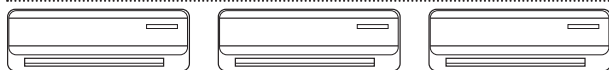
APPLICATIONS



DUCT T62 - OPT-FC Suitable for mono split installation



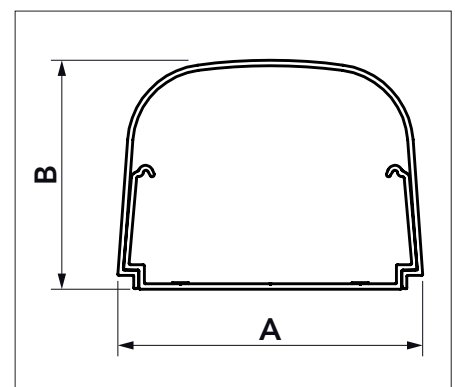
DUCT T75 - OPT-FC Suitable for mono split or dual split installation



DUCT T102 - OPT-FC Suitable for maximum 3 splits installation



DUCT T135 - OPT-FC Suitable for maximum 4 splits installation



MODEL	CODE	MIN.QTY	DIMENSIONS	
			A [mm]	B [mm]
T 62 - OPT-FC	SCD100102	12 PZ. = 24 m	62	46
T 75 - OPT-FC	SCD100103	8 PZ. = 16 m	74	56
T 102 - OPT-FC	SCD100104	6 PZ. = 12 m	100	66
T 135 - OPT-FC	SCD100124	4 PZ. = 8 m	135	82

OPTIMA

 ACCESSORIES

 ACCESSOIRES

 ZUBEHÖR

TECHNICAL SPECIFICATIONS

- RECYCLABLE WHITE SHOCKPROOF AND ANTI-UVA ECO PVC
- INNOVATIVE DESIGN
- ULTRA-FAST INTERLOCKING FASTENING SYSTEM
- HOLE COVER
- VERY HIGH EXTERIOR FINISH
- PACKAGING WITH BAR CODE IN HEAT SHRINK
- PAINTABLE PRODUCT
- TEMPERATURE OF WORKING -20°C / + 60°C

CARACTÉRISTIQUES TECHNIQUES

- PVC RECYCLABLE BLANC ANTICHOC ET ANTI-UVA ÉCOLOGIQUE
- CONCEPTION INNOVANTE
- SYSTÈME DE FERMETURE À ENCLÈCHEMENT ULTRA-RAPIDE
- COUVERCLE DE TROU
- FINITION EXTÉRIEURE TRÈS ÉLEVÉE
- EMBALLAGE AVEC QUEUES DE BARRES RÉTRACTABLES
- PRODUIT PEINT
- TEMPÉRATURE DE TRAVAIL -20 °C / + 60 °C

TECHNISCHE EIGENSCHAFTEN

- UMWELTFREUNDLICHES, STOSSFESTES UND UVA-GESCHÜTZTES WEISSES, RECYCELBARES PVC
- INNOVATIVES DESIGN
- EXTREM SCHNELLES, STECK-BEFESTIGUNGSSYSTEM
- LOCHABDECKUNG
- SEHR HOHE AUSSENVERARBEITUNG
- VERPACKUNG MIT BARCODE IN WÄRMESCHRUMPFEN
- LACKIERBARES PRODUKT
- ARBEITSTEMPERATUR -20°C / + 60°C

 **IDEAL FOR CLEANING DUCTS AND ACCESSORIES.**

 **IDÉAL POUR NETTOYER LES CONDUITS ET LES ACCESSOIRES.**

 **IDEAL ZUR REINIGUNG VON LEITUNGEN UND ZUBEHÖR.**



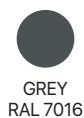
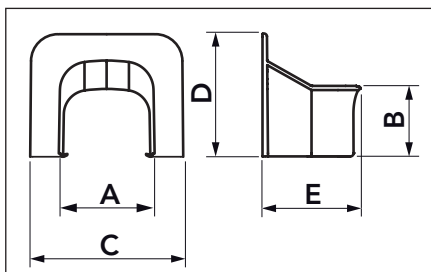
OPTIMA TA

 CORNER TERMINAL

 BORNE À ANGLE

 WINKEL-TERMINAL

 MADE IN ITALY



DOWNLOAD DATASHEET

 **new**

MODEL	RAL 9010	RAL 7016	MIN.QTY	DIMENSIONS				
	CODE	CODE		A [mm]	B [mm]	C [mm]	D [mm]	E [mm]
TA 62 - OPT	11106004	-	5 PZ.	66	48	106	85	72
TA 75 - OPT	11106005	SCD100149	5 PZ.	78	58	126	100	86
TA 102 - OPT	11106006	SCD100150	3 PZ.	104	68	145	117	100
TA 135 - OPT	SCD100113	SCD100151	3 PZ.	140	84	180	140	100

OPTIMA RL

 IN-LINE CONNECTION

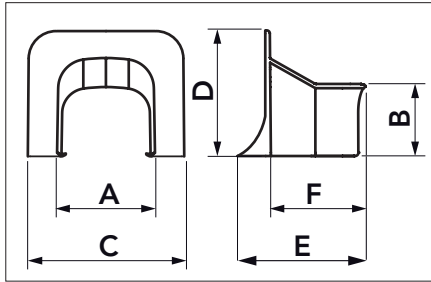
 RACCORD EN LIGNE

 INLINE-ECKABSCHLUSSSTÜCK

FOR EXCELLENS AND OPTIMA DUCT

POUR LES GOULOTTES EXCELLENS ET OPTIMA

FÜR EXCELLENS UND OPTIMA-KANAL



 **SUITABLE FOR OPTIMA AND EXCELLENS**

 **MADE IN ITALY**

 **WHITE RAL 9010**



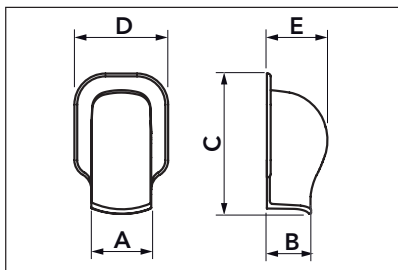
MODEL	CODE	QTY MIN.	DIMENSIONS					
			A [mm]	B [mm]	C [mm]	D [mm]	E [mm]	F [mm]
RLO 35 - OPT	SCD100142	20 PZ.	35	28	52	37	-	42
RLE 35 - OPT	SCD100143	20 PZ.	35	28	52	37	55	-

OPTIMA TM


 WALL MOUNTED TERMINAL

 BORNE MURALE

 WANDABSCHLUSSSTÜCK



 **WHITE RAL 9010**

 **GREY RAL 7016**




 **MADE IN ITALY**



DOWNLOAD DATASHEET

 **N° 3 PRE-HOLES FOR POSSIBLE WALL FIXING**

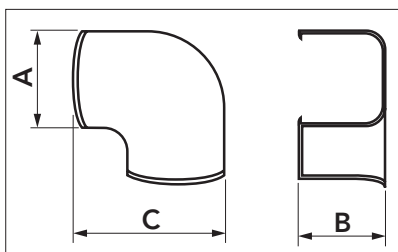
MODEL	RAL 9010	 RAL 7016	QTY MIN.	DIMENSIONS				
	CODE	CODE		A [mm]	B [mm]	C [mm]	D [mm]	E [mm]
TM 35 - OPT	SCD100144	-	20 PZ.	35	28	77	56	32
TM 62 - OPT	11106001	-	5 PZ.	66	48	155	95	60
TM 75 - OPT	11106002	SCD100152	5 PZ.	78	58	170	110	74
TM 102 - OPT	11106003	SCD100153	3 PZ.	104	68	200	135	85
TM 135 - OPT	SCD100112	SCD100154	3 PZ.	140	85	237	175	100

OPTIMA CP


 FLAT CURVE

 COURBE PLATE

 FLACH KURVE



 **WHITE RAL 9010**


 **GREY RAL 7016**



 **MADE IN ITALY**



DOWNLOAD DATASHEET

MODEL	RAL 9010	 RAL 7016	QTY MIN.	DIMENSIONS		
	CODE	CODE		A [mm]	B [mm]	C [mm]
CP 35 - OPT	SCD100137	-	20 PZ.	35	28	65
CP 62 - OPT	11106007	-	5 PZ.	66	48	108
CP 75 - OPT	11106008	SCD100155	5 PZ.	78	58	120
CP 102 - OPT	11106009	SCD100156	3 PZ.	104	68	154
CP 135 - OPT	SCD100114	SCD100157	3 PZ.	140	84	203

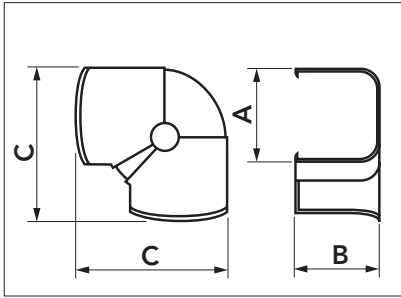
OPTIMA CPS

ARTICULATED
FLAT CURVE

COURBE PLATE
ARTICULEE

FLACH KURVE
GELENK FLEXIBEL

MADE IN ITALY



○ WHITE
RAL 9010
● GREY
RAL 7016



ADJUSTABLE CURVE

CPS 62-PT COMPOSITION: CPS 75-PT + NR. 2 REDUCTIONS RC75/62 OPT RADIUS FROM 80° TO 140°

MODEL	RAL 9010	RAL 7016 new	QTY MIN.	DIMENSIONS		
	CODE	CODE		A [mm]	B [mm]	C [mm]
CPS 62 - OPT	11106010	-	1 PZ.	66	48	185
CPS 75 - OPT	11106011	SCD100158	1 PZ.	78	58	130



DOWNLOAD
DATASHEET

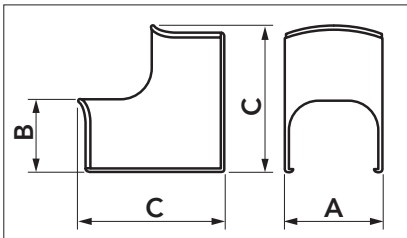
OPTIMA CAI

INTERNAL
CORNER CURVE

COURBE À ANGLE
INTERNE

KURVE MIT
INNENWINKEL

MADE IN ITALY



○ WHITE
RAL 9010
● GREY
RAL 7016



DOWNLOAD
DATASHEET

MODEL	RAL 9010	RAL 7016 new	QTY MIN.	DIMENSIONS		
	CODE	CODE		A [mm]	B [mm]	C [mm]
CAI 35 - OPT	SCD100138	-	20 PZ.	35	28	62
CAI 62 - OPT	11106013	-	5 PZ.	66	48	100
CAI 75 - OPT	11106014	SCD100159	5 PZ.	78	58	115
CAI 102 - OPT	11106015	SCD100160	3 PZ.	104	68	135
CAI 135 - OPT	SCD100115	SCD100161	3 PZ.	140	84	155

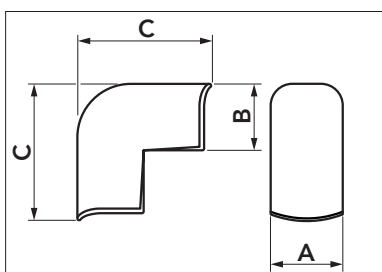
OPTIMA CAE

EXTERNAL
CORNER CURVE

COURBE À
ANGLE EXTERNE

KURVE MIT
AUSSENWINKEL

MADE IN ITALY



○ WHITE
RAL 9010
● GREY
RAL 7016



DOWNLOAD
DATASHEET

MODEL	RAL 9010	RAL 7016 new	QTY MIN.	DIMENSIONS		
	CODE	CODE		A [mm]	B [mm]	C [mm]
CAE 35 - OPT	SCD100139	-	20 PZ.	35	28	52
CAE 62 - OPT	11106019	-	5 PZ.	66	48	100
CAE 75 - OPT	11106020	SCD100162	5 PZ.	78	58	115
CAE 102 - OPT	11106021	SCD100163	3 PZ.	104	68	135
CAE 135 - OPT	SCD100116	SCD100164	3 PZ.	140	84	155

ALLOWS A LARGE RADIUS OF PIPE CURVE

OPTIMA MCS



SPLIT
CONNECTION
SLEEVE

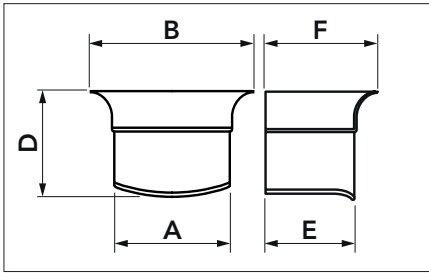


MANCHON DE
RACCORDEMENT
SPLIT



SPLIT-
VERBINDUNGS-
MUFFE

MADE IN ITALY



DOWNLOAD
DATASHEET

MODEL	RAL 9010	RAL 7016	QTY MIN.	DIMENSIONS				
	CODE	CODE		A [mm]	B [mm]	D [mm]	E [mm]	F [mm]
MCS 62 - OPT	SCD100093	-	5 PZ.	66	77,5	60	48	56
MCS 75 - OPT	SCD100094	SCD100165	5 PZ.	78	90	66	58	65

OPTIMA MRD



RIGHT ROTATION
SLEEVE

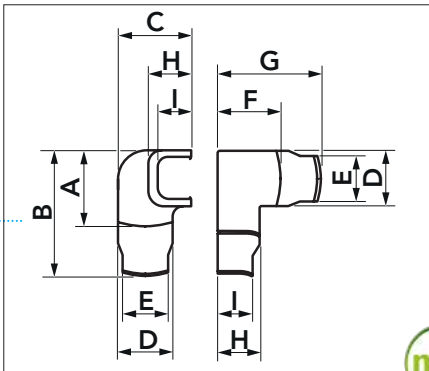


MANCHON DE
ROTATION DROIT



RECHTSDREHENDE
MUFFE

MADE IN ITALY



DOWNLOAD
DATASHEET

FEATURES

- MRD 62-OPT COMPOSITION: MRD 75-OPT + NR. 2 - 62 DUCTS REDUCTIONS
- MRD 75-OPT COMPOSITION: 75 RIGHT ROTATION SLEEVE

MODEL	RAL 9010	RAL 7016	QTY MIN.	DIMENSIONS								
	CODE	CODE		A [mm]	B [mm]	C [mm]	D [mm]	E [mm]	F [mm]	G [mm]	H [mm]	I [mm]
MRD 62 - OPT	SCD100095	-	3 PZ.	119	174	102	78	66	87	143	58	48
MRD 62 - OPT	SCD100129	-	3 PZ.	103	-	86	64	-	78	-	49	-
MRD 75 - OPT	SCD100096	SCD100166	3 PZ.	119	-	102	78	-	87	-	58	-

OPTIMA MRS



LEFT ROTATION
SLEEVE

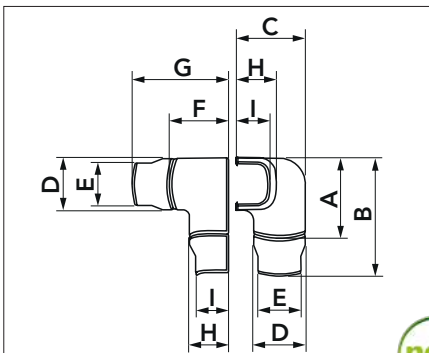


MANCHON DE
ROTATION GAUCHE



LINKSDREHENDE
MUFFE

MADE IN ITALY



DOWNLOAD
DATASHEET

FEATURES

- MRS 62-OPT COMPOSITION: MRS 75-OPT + NR. 2 - 62 DUCTS REDUCTIONS
- MRS 75-OPT COMPOSITION: 75 LEFT ROTATION SLEEVE

MODEL	RAL 9010	RAL 7016	QTY MIN.	DIMENSIONS								
	CODE	CODE		A [mm]	B [mm]	C [mm]	D [mm]	E [mm]	F [mm]	G [mm]	H [mm]	I [mm]
MRS 62 - OPT	SCD100097	-	3 PZ.	119	174	102	78	66	87	143	58	48
MRS 62 - OPT	SCD100130	-	3 PZ.	103	-	86	64	-	78	-	49	-
MRS 75 - OPT	SCD100098	SCD100167	3 PZ.	119	-	102	78	-	87	-	58	-

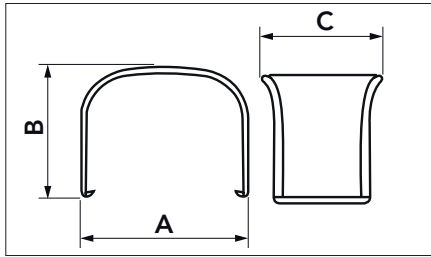
OPTIMA MG

JOINT SLEEVE

MANCHON DE JONCTION

VERBINDUNGS-MUFFE

MADE IN ITALY



○ WHITE
RAL 9010

● GREY
RAL 7016



DOWNLOAD DATASHEET

MODEL	RAL 9010	RAL 7016	QTY MIN.	DIMENSIONS		
	CODE	CODE		A [mm]	B [mm]	C [mm]
MG 35 - OPT	SCD100140	-	20 PZ.	35	28	23
MG 62 - OPT	11106028	-	5 PZ.	66	48	50
MG 75 - OPT	11106029	SCD100168	5 PZ.	78	58	55
MG 102 - OPT	11106027	SCD100169	3 PZ.	104	68	70
MG 135 - OPT	SCD100117	SCD100170	3 PZ.	140	84	75

OPTIMA DT

"T" SHUNT

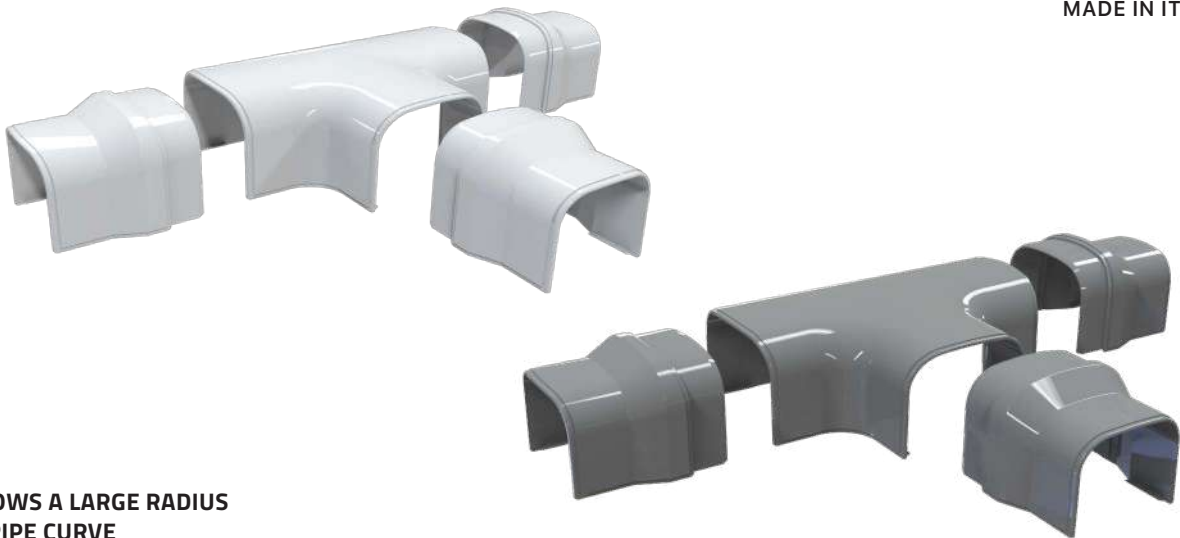
DÉRIVATION EN "T"

T-ANSCHLUSSSTÜCK

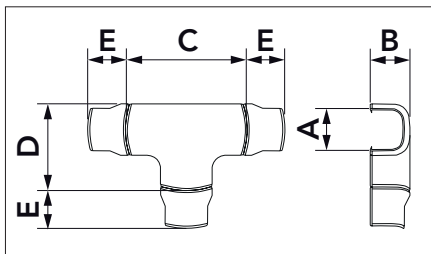
MADE IN ITALY

○ WHITE
RAL 9010

● GREY
RAL 7016



ALLOWS A LARGE RADIUS OF PIPE CURVE



FEATURES

- DT 62 - OPT COMPOSITION DT 75 - OPT AND 3 REDUCTION FOR DUCTS OF 62
- DT 75 - OPT COMPOSITION "T" 75
- DT 102 - OPT COMPOSITION "T" 102
- DT 135 - OPT COMPOSITION "T" 135



DOWNLOAD DATASHEET

MODEL	RAL 9010	RAL 7016	QTY MIN.	DIMENSIONS				
	CODE	CODE		A [mm]	B [mm]	C [mm]	D [mm]	E [mm]
DT 62 - OPT	11106031	-	5 PZ.	66	48	180	130	60
DT 75 - OPT	11106032	SCD100171	5 PZ.	78	58	180	130	-
DT 102 - OPT	11106033	SCD100172	3 PZ.	104	68	210	160	-
DT 135 - OPT	SCD100118	SCD100173	3 PZ.	140	84	270	205	-

OPTIMA TS



PIPE OUTPUT
TERMINAL



BORNE
SORTIE TUYAU

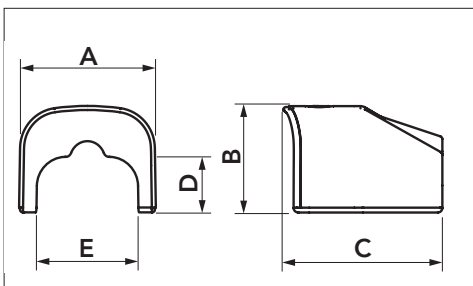


RUHRAUSGANGENDSTÜCK

MADE IN ITALY

WHITE
RAL 9010

GREY
RAL 7016



DOWNLOAD
DATASHEET

MODEL	RAL 9010	RAL 7016 new	QTY MIN.	DIMENSIONS				
	CODE	CODE		A [mm]	B [mm]	C [mm]	D [mm]	E [mm]
TS 62 - OPT	11106035	-	5 PZ.	66	48	76	30	50
TS 75 - OPT	11106036	SCD100174	5 PZ.	78	58	90	30	56
TS 102 - OPT	11106037	SCD100175	3 PZ.	104	68	110	40	72

OPTIMA TC



CLOSING
CAP



BOUCHON DE
FERMETURE

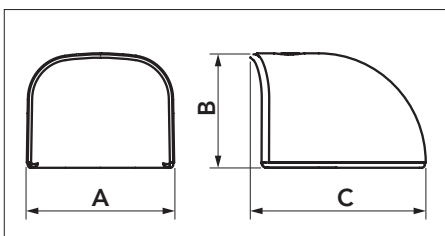


ENDSTÜCK

MADE IN ITALY

WHITE
RAL 9010

GREY
RAL 7016



DOWNLOAD
DATASHEET

MODEL	RAL 9010	RAL 7016 new	QTY MIN.	DIMENSIONS		
	CODE	CODE		A [mm]	B [mm]	C [mm]
TC 35 - OPT	SCD100141	-	20 PZ.	35	28	46
TC 62 - OPT	11106038	-	5 PZ.	66	48	75
TC 75 - OPT	11106039	SCD100176	5 PZ.	78	58	90
TC 102 - OPT	11106040	SCD100177	3 PZ.	104	68	105
TC 135 - OPT	SCD100120	SCD100178	3 PZ.	140	84	135

OPTIMA MF

 FLEXIBLE SLEEVE

 MANCHON FLEXIBLE

 FLEXIBLE MUFFE

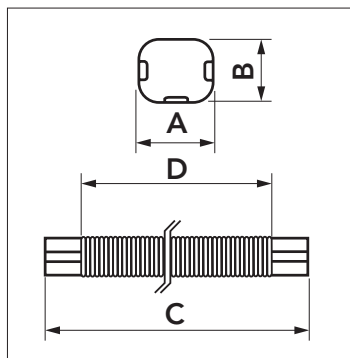
 MADE IN ITALY



WHITE
RAL 9010



GREY
RAL 7016



DOWNLOAD DATASHEET

new

MODEL	RAL 9010	RAL 7016	QTY MIN.	DIMENSIONS			
	CODE	CODE		A [mm]	B [mm]	C [mm]	D [mm]
MF 62 - OPT	11106041	-	1 PZ.	62	46	520	420
MF 75 - OPT	11106042	SCD100179	1 PZ.	74	56	520	420
MF 102 - OPT	11106043	SCD100180	1 PZ.	100	66	520	420

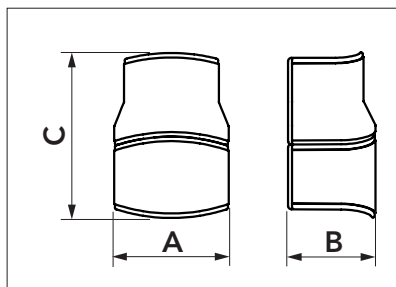
OPTIMA RC

 DUCT REDUCTION

 RÉDUCTION POUR GOULOTTE

 KANAL REDUKTION

 MADE IN ITALY



DOWNLOAD DATASHEET



WHITE
RAL 9010



GREY
RAL 7016

FEATURES

- DT 62 - OPT COMPOSITION DT 75 - OPT AND 3 REDUCTION FOR DUCTS OF 62
- DT 75 - OPT COMPOSITION "T" 75
- DT 102 - OPT COMPOSITION "T" 102
- DT 135 - OPT COMPOSITION "T" 135

new

MODEL	RAL 9010	RAL 7016	QTY MIN.	DIMENSIONS		
	CODE	CODE		A [mm]	B [mm]	C [mm]
RC 75/62 - OPT	11106034	-	1 PZ.	78	58	110
RC 102/75 - OPT	11106044	SCD100181	1 PZ.	104	68	140
RC 135/100 - OPT	SCD100119	SCD100182	1 PZ.	140	84	160

WHY TECNOSYSTEMI RECESSED ARRANGEMENT BOXES ARE SUCH A GREAT CHOICE

Lateral pipe inlet

Made of shock resistant polystyrene

Fastening plates



Outlet with dual
Ø16/18 - Ø18/20

Stone guard grate

Trap

Nonreturn valve

MADE IN ITALY



Cardboard cover



Built-in spirit level

Supporting foot

Reversible funnel

Plus



REACH
CERTIFICATION



FIXING PLATES
ADJUSTABLE
TEMPLATE



PROTECTION
GRILL



ANTI-THEFT



BUILT-IN SPIRIT
LEVEL



ANTI-ODOUR,
HERMETIC
INSPECTIONABLE
TRAP



RECYCLABLE
MATERIAL

ELISYUM HYDRONIC ELITE



BUILT-IN INSTALLATION BOX WITH SIPHON



PRÉDISPOSITION AVEC SIPHON



UNTERPUTZ-INSTALLATIONSBOX MIT SIPHON

TECHNICAL SPECIFICATIONS

- RIGHT/LEFT REVERSIBLE TILTED REAR CONVEYOR WITH MULTIPLE SIDE COUPLING Ø 16 - Ø 20
- PROTECTION GRILLE
- ADJUSTABLE TEMPLATE FASTENING PLATES
- BUILT-IN SPIRIT LEVEL
- BUILT-IN SIPHON WITH HERMETIC COVER
- WORKS ALSO WHEN DRY
- ANTI-CONDENSATION CAVITY
- ANTI-PLASTER CARDBOARD
- INTERLOCKING COVER OR WITH SCREWS
- HOLES FOR FASTENING TO PLASTERBOARD WALLS
- IDEAL FOR APPLICATIONS WITH INSULATED PIPES WITH A DIAMETER OF 52 mm

CARACTÉRISTIQUES TECHNIQUES

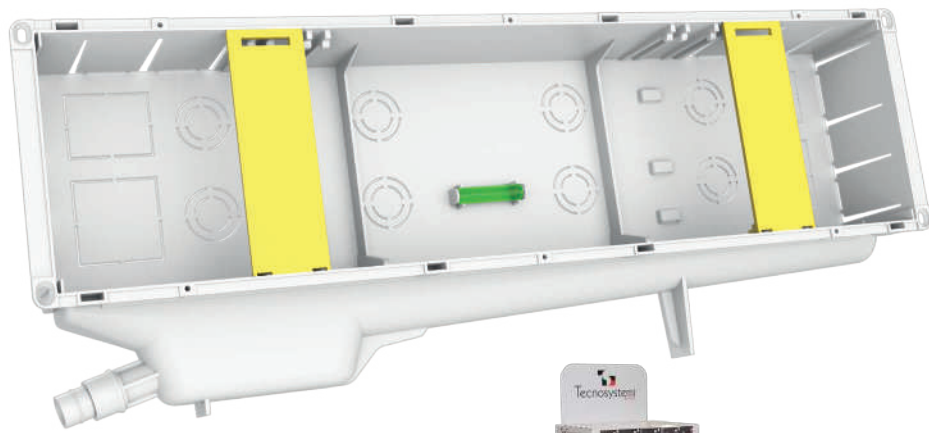
- CONVOYEUR ARRIÈRE INCLINÉ DROITE/GAUCHE RÉVERSIBLE AVEC RACCORDEMENT LATÉRAL MULTIPLE Ø 16 - Ø 20
- GRILLE DE PROTECTION
- PLAQUES DE FIXATION DE GABARIT RÉGLABLES
- BULLE INTÉGRÉE
- SIPHON INTÉGRÉ AVEC COUVERCLE HERMÉTIQUE
- MARCH AUSSI À SEC
- CAVITÉ ANTI-CONDENSATION
- CARTON ANTIPLÂTRE
- COUVERCLE EMBÔTABLE OU AVEC VIS
- TROUS DE MONTAGE MURAL DANS LA PLAQUE DE PLÂTRE
- IDÉAL POUR LES APPLICATIONS AVEC DES TUYAUX ISOLÉS D'UN DIAMÈTRE DE 52 mm

TECHNISCHE EIGENSCHAFTEN

- HINTERES FÖRDERBAND, GENEIGT, REVERSIBEL RECHTS/LINKS MIT SEITLICHEM MEHRFACH-ANSCHLUSS Ø 16 - Ø 20
- SCHUTZGITTER
- VERSTELLBARE PLATTEN ZUR BEFESTIGUNG DER LEHRE
- EINGEBAUTE WASSERWAAGE
- EINGEBAUTER SIPHON MIT HERMETISCHER ABDECKUNG
- KONDENSATIONSSCHUTZ-HOHLRAUM
- ANTI-GIPS-KARTON
- STECKABDECKUNG ODER MIT SCHRAUBEN
- BOHRUNGEN ZUR WANDMONTAGE AN GIPSKARTONPLATTEN
- IDEAL FÜR ANWENDUNGEN MIT GEDÄMMTEN ROHREN MIT EINEM DURCHMESSER VON 52 mm



140



MADE IN ITALY

COMBINATIONS WITH CONDENSATE DRAIN PIPES IN THE CATALOGUE:

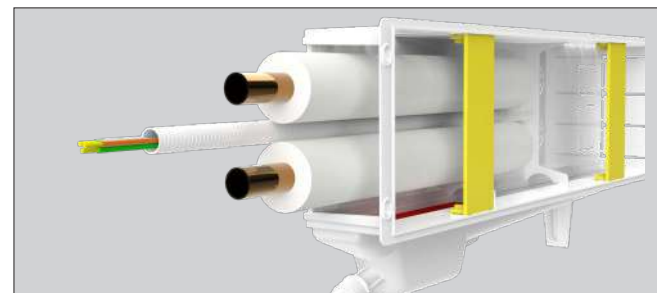
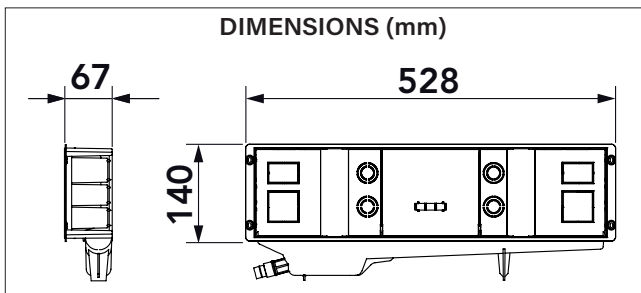
- PIPE 18/20 ART.11126346 (DIRECT CONNECTION)
- PIPE 18/20 ART.11126320 (DIRECT CONNECTION)
- TCR-21 RIGID TUBE (USING THE MP-TCR-21)

ALSO AVAILABLE IN THE PRACTICAL AND ELEGANT DISPLAY



DOWNLOAD DATASHEET

DIMENSIONS (mm)



EXAMPLE OF INSTALLATION FOR HYDRONIC INTERNAL UNIT WITH COPPER PIPE + INSULATED UNTIL Ø 52mm

AVAILABLE IN SINGULAR PACK OR IN PACK OF 20 PCS

CODE	DESCRIPTION
SCD200002	ELISYUM HYDRONIC ELITE BUILT-IN INSTALLATION BOX WITH SIPHON AND INTERLOCKING COVER
SCD200004	ELISYUM HYDRONIC ELITE BUILT-IN INSTALLATION BOX WITH SIPHON, COVER AND SCREWS

ELISYUM HYDRONIC CLASSIC



BUILT-IN INSTALLATION BOX



PRÉDISPOSITION



UNTERPUTZ-INSTALLATIONSBOX

TECHNICAL SPECIFICATIONS

- RIGHT/LEFT REVERSIBLE TILTED REAR CONVEYOR WITH MULTIPLE SIDE COUPLING Ø 16 - Ø 20
- PROTECTION GRILLE
- ADJUSTABLE TEMPLATE FASTENING PLATES
- BUILT-IN SPIRIT LEVEL
- WORKS ALSO WHEN DRY
- ANTI-PLASTER CARDBOARD
- INTERLOCKING COVER OR WITH SCREWS
- HOLES FOR FASTENING TO PLASTERBOARD WALLS
- IDEAL FOR APPLICATIONS WITH INSULATED PIPES WITH A DIAMETER OF 52 mm

CARACTÉRISTIQUES TECHNIQUES

- CONVOYEUR ARRIÈRE INCLINÉ DROITE/GAUCHE RÉVERSIBLE AVEC RACCORDEMENT LATÉRAL MULTIPLE Ø 16 - Ø 20
- GRILLE DE PROTECTION
- PLAQUES DE FIXATION DE GABARIT RÉGLABLES
- BULLE INTÉGRÉE
- MARCH AUSSI À SEC
- CARTON ANTIPLÂTRE
- COUVERCLE EMBOÎTABLE OU AVEC VIS
- TROUS DE MONTAGE MURAL DANS LA PLAQUE DE PLÂTRE
- IDÉAL POUR LES APPLICATIONS AVEC DES TUYAUX ISOLÉS D'UN DIAMÈTRE DE 52 mm

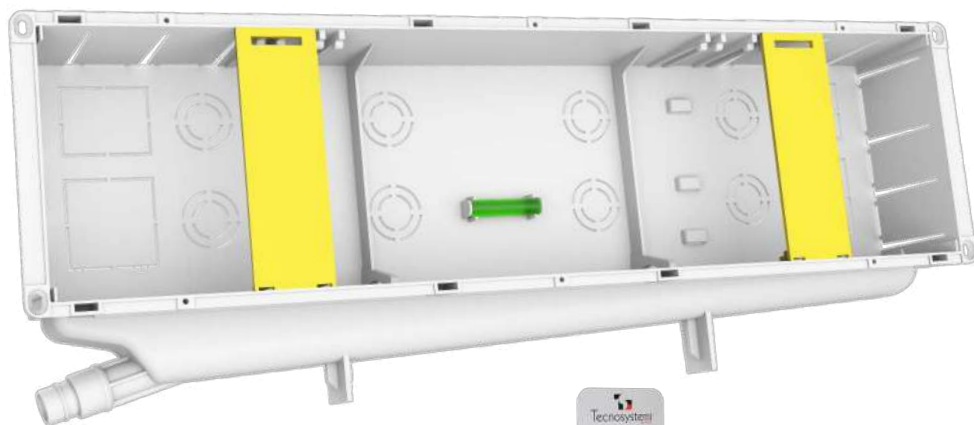
TECHNISCHE EIGENSCHAFTEN

- HINTERES FÖRDERBAND, GENEIGT, REVERSIBEL RECHTS/LINKS MIT SEITLICHEM MEHRFACH-ANSCHLUSS Ø 16 - Ø 20
- SCHUTZGITTER
- VERSTELLBARE PLATTEN ZUR BEFESTIGUNG DER LEHRE
- EINGebaute WASSERWAAGE
- ANTI-GIPS-KARTON
- STECKABDECKUNG ODER MIT SCHRAUBEN
- BOHRUNGEN ZUR WANDMONTAGE AN GIPSKARTONPLATTEN
- IDEAL FÜR ANWENDUNGEN MIT GEDÄMMTEN ROHREN MIT EINEM DURCHMESSER VON 52 mm

MADE IN ITALY



140



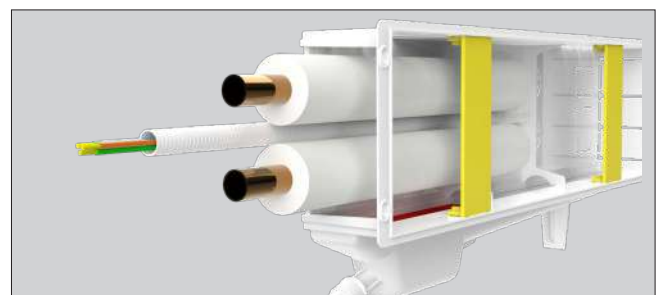
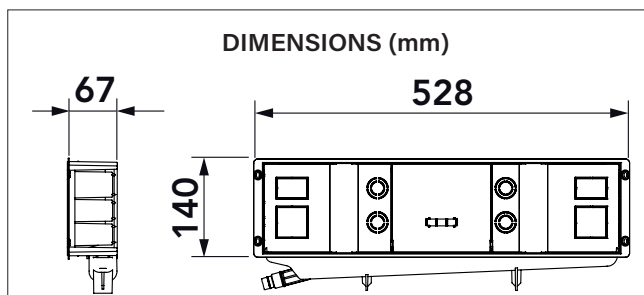
COMBINATIONS WITH CONDENSATE DRAIN PIPES IN THE CATALOGUE:

- PIPE 18/20 ART.11126346 (DIRECT CONNECTION)
- PIPE 18/20 ART.11126320 (DIRECT CONNECTION)
- TCR-21 RIGID TUBE (USING THE MP-TCR-21)

ALSO AVAILABLE IN THE PRACTICAL AND ELEGANT DISPLAY



DOWNLOAD DATASHEET



EXAMPLE OF INSTALLATION FOR HYDRONIC INTERNAL UNIT WITH COPPER PIPE + INSULATED UNTIL Ø 52mm

AVAILABLE IN SINGULAR PACK OR IN PACK OF 20 PCS

CODE	DESCRIPTION
SCD200001	ELISYUM HYDRONIC CLASSIC BUILT-IN INSTALLATION BOX WITH INTERLOCKING COVER
SCD200003	ELISYUM HYDRONIC CLASSIC BUILT-IN INSTALLATION BOX WITH COVER AND SCREWS

PROFESSIONAL ELITE

 BUILT-IN INSTALLATION BOX WITH SIPHON

 PRÉDISPOSITION AVEC SIPHON

 UNTERPUTZ-INSTALLATIONSBOX MIT SIPHON

TECHNICAL SPECIFICATIONS

- RIGHT/LEFT REVERSIBLE TILTED REAR CONVEYOR WITH MULTIPLE SIDE COUPLING Ø 16 - Ø 20
- PROTECTION GRILLE
- ADJUSTABLE TEMPLATE FASTENING PLATES
- BUILT-IN SPIRIT LEVEL
- WORKS ALSO WHEN DRY
- BUILT-IN SIPHON WITH HERMETIC COVER
- ANTI-CONDENSATION CAVITY
- ANTI-PLASTER CARDBOARD
- INTERLOCKING COVER OR WITH SCREWS

CARACTÉRISTIQUES TECHNIQUES

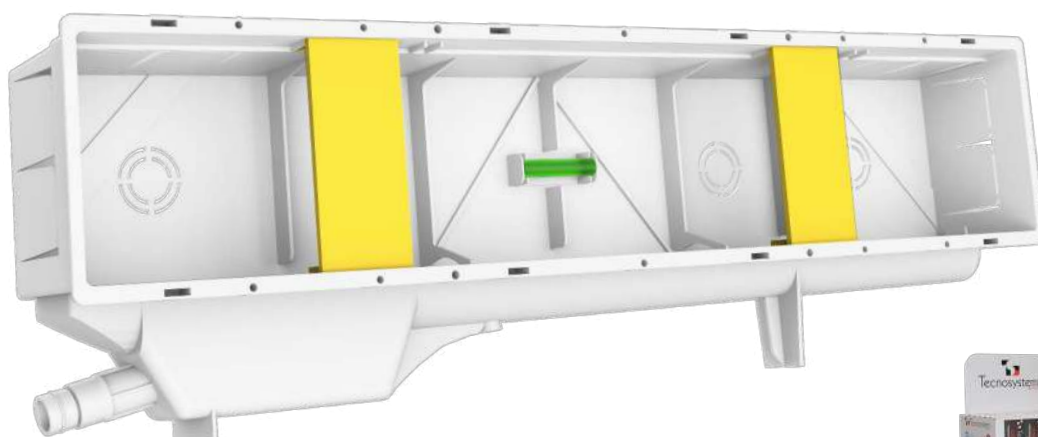
- CONVOYEUR ARRIÈRE INCLINÉ DROITE/GAUCHE RÉVERSIBLE AVEC RACCORDEMENT LATÉRAL MULTIPLE Ø 16 - Ø 20
- GRILLE DE PROTECTION
- PLAQUES DE FIXATION DE GABARIT RÉGLABLES
- BULLE INTÉGRÉE
- MARCHÉ AUSSI À SEC
- SIPHON INTÉGRÉ AVEC COUVERCLE HERMÉTIQUE
- CAVITÉ ANTI-CONDENSATION
- CARTON ANTIPLÂTRE
- COUVERCLE EMBÔTABLE OU AVEC VIS

TECHNISCHE EIGENSCHAFTEN

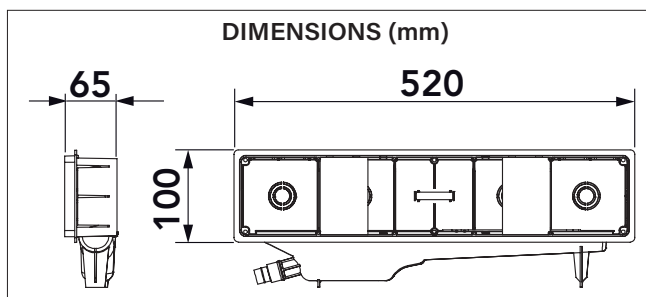
- HINTERES FÖRDERBAND, GENEIGT, REVERSIBEL RECHTS/LINKS MIT SEITLICHEM MEHRFACH-ANSCHLUSS Ø 16 - Ø 20
- SCHUTZGITTER
- VERSTELLBARE PLATTEN ZUR BEFESTIGUNG DER LEHRE
- EINGebaute Wasserwaage
- EINGEBAUTER SIPHON MIT HERMETISCHER ABDECKUNG
- KONDENSATIONSSCHUTZ-HOHLRAUM
- ANTI-GIPS-KARTON
- STECKABDECKUNG ODER MIT SCHRAUBEN



 MADE IN ITALY



ALSO AVAILABLE IN THE PRACTICAL AND ELEGANT DISPLAY



COMBINATIONS WITH CONDENSATE DRAIN PIPES IN THE CATALOGUE:

- PIPE 18/20 ART.11126346 (DIRECT CONNECTION)
- PIPE 18/20 ART.11126320 (DIRECT CONNECTION)
- TCR-21 RIGID TUBE (USING THE MP-TCR-21)



VIDEO



DOWNLOAD DATASHEET

 AVAILABLE IN SINGULAR PACK OR IN PACK OF 25 PCS

CODE	DESCRIPTION
11100117	PROFESSIONAL-ELITE BUILT-IN INSTALLATION BOX WITH SIPHON AND INTERLOCKING COVER
11100117V	PROFESSIONAL-ELITE BUILT-IN INSTALLATION BOX WITH SIPHON, COVER AND SCREWS

PROFESSIONAL PLUS



BUILT-IN INSTALLATION BOX



PRÉDISPOSITION



UNTERPUTZ-INSTALLATIONSBOX

TECHNICAL SPECIFICATIONS

- RIGHT/LEFT REVERSIBLE TILTED REAR CONVEYOR WITH MULTIPLE SIDE COUPLING Ø 16 - Ø 20
- PROTECTION GRILLE
- ADJUSTABLE TEMPLATE FASTENING PLATES
- BUILT-IN SPIRIT LEVEL
- ANTI-PLASTER CARDBOARD
- INTERLOCKING COVER OR WITH SCREWS

CARACTÉRISTIQUES TECHNIQUES

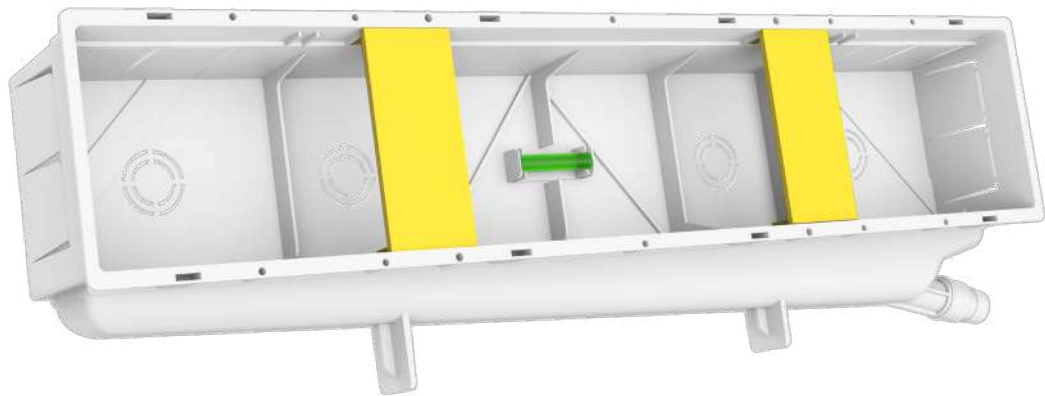
- CONVOYEUR ARRIÈRE INCLINÉ DROITE/GAUCHE RÉVERSIBLE AVEC RACCORDEMENT LATÉRAL MULTIPLE Ø 16 - Ø 20
- GRILLE DE PROTECTION
- PLAQUES DE FIXATION DE GABARIT RÉGLABLES
- BULLE INTÉGRÉE
- CARTON ANTIPLÂTRE
- COUVERCLE EMBÔTABLE OU AVEC VIS

TECHNISCHE EIGENSCHAFTEN

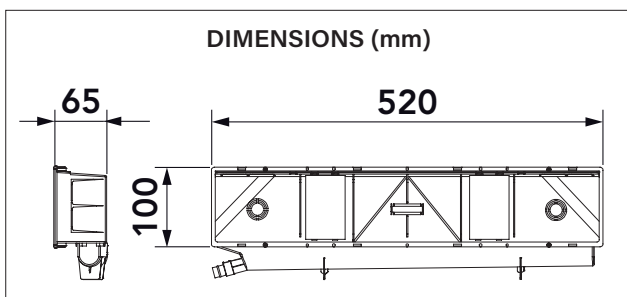
- HINTERES FÖRDERBAND, GENEIGT, REVERSIBEL RECHTS/LINKS MIT SEITLICHEM MEHRFACH-ANSCHLUSS Ø 16 - Ø 20
- SCHUTZGITTER
- VERSTELLBARE PLATTEN ZUR BEFESTIGUNG DER LEHRE
- EINGEBAUTE WASSERWAAGE
- ANTI-GIPS-KARTON
- STECKABDECKUNG ODER MIT SCHRAUBEN



MADE IN ITALY



ALSO AVAILABLE IN THE PRACTICAL AND ELEGANT DISPLAY



COMBINATIONS WITH CONDENSATE DRAIN PIPES IN THE CATALOGUE:

- PIPE 18/20 ART.11126346 (DIRECT CONNECTION)
- PIPE 18/20 ART.11126320 (DIRECT CONNECTION)
- TCR-21 RIGID TUBE (USING THE MP-TCR-21)



DOWNLOAD DATASHEET

✓ AVAILABLE IN SINGULAR PACK OR IN PACK OF 25 PCS

CODE	DESCRIPTION
11100116	PROFESSIONAL-PLUS BUILT-IN INSTALLATION BOX WITH INTERLOCKING COVER
11100116V	PROFESSIONAL-PLUS BUILT-IN INSTALLATION BOX WITH COVER AND SCREWS

PROFESSIONAL CLASSIC



BUILT-IN INSTALLATION BOX



PRÉDISPOSITION



UNTERPUTZ-INSTALLATIONSBOX

TECHNICAL SPECIFICATIONS

- RIGHT/LEFT REVERSIBLE TILTED REAR CONVEYOR WITH MULTIPLE SIDE COUPLING Ø 16 - Ø 20
- PROTECTION GRILLE
- ANTI-PLASTER CARDBOARD
- INTERLOCKING COVER OR WITH SCREWS

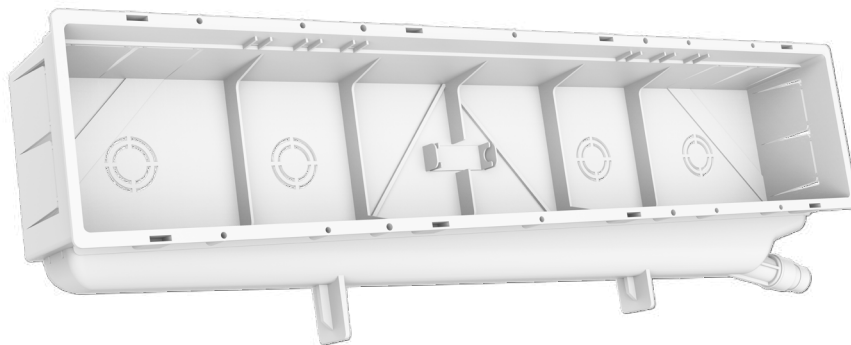
CARACTÉRISTIQUES TECHNIQUES

- CONVOYEUR ARRIÈRE INCLINÉ DROITE/GAUCHE RÉVERSIBLE AVEC RACCORDEMENT LATÉRAL MULTIPLE Ø 16 - Ø 20
- GRILLE DE PROTECTION
- CARTON ANTIPLÂTRE
- COUVERCLE EMBÔTABLE OU AVEC VIS

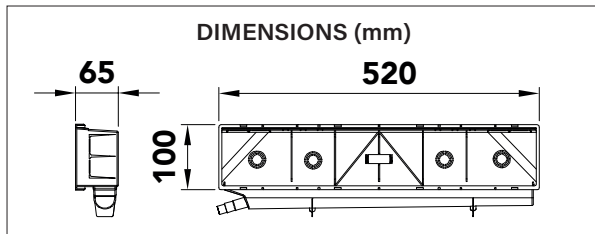
TECHNISCHE EIGENSCHAFTEN

- HINTERES FÖRDERBAND, GENEIGT, REVERSIBEL RECHTS/LINKS MIT SEITLICHEM MEHRFACH-ANSCHLUSS Ø 16 - Ø 20
- SCHUTZGITTER
- ANTI-GIPS-KARTON
- STECKABDECKUNG ODER MIT SCHRAUBEN

MADE IN ITALY



ALSO AVAILABLE IN THE PRACTICAL AND ELEGANT DISPLAY



COMBINATIONS WITH CONDENSATE DRAIN PIPES IN THE CATALOGUE:

- PIPE 18/20 ART.11126346 (DIRECT CONNECTION)
- PIPE 18/20 ART.11126320 (DIRECT CONNECTION)
- TCR-21 RIGID TUBE (USING THE MP-TCR-21)



DOWNLOAD DATASHEET

AVAILABLE IN SINGULAR PACK OR IN PACK OF 25 PCS

CODE	DESCRIPTION
11100095	PROFESSIONAL-CLASSIC SPLIT INSTALLATION BOX WITH INTERLOCKING COVER
11100095V	PROFESSIONAL-CLASSIC SPLIT INSTALLATION BOX WITH COVER AND SCREWS



PLATE KIT + LEVEL FOR BUILT-IN INSTALLATION BOX



KIT PLAQUE + BULLE POUR PRÉDISPOSITIONS



PLATTENSATZ + WASSERWAAGE FÜR UNTERPUTZ-INSTALLATIONSBOX

MADE IN ITALY



DOWNLOAD DATASHEET

CODE	DESCRIPTION
11100130	PLATE KIT + LEVEL FOR BUILT-IN INSTALLATION BOX (10 pcs. pack)

FLAT CLASSIC

 BUILT-IN INSTALLATION BOX

 PRÉDISPOSITION

 UNTERPUTZ-INSTALLATIONSBOX

TECHNICAL SPECIFICATIONS

- RIGHT/LEFT REVERSIBLE TILTED REAR CONVEYOR WITH Ø 20 VERTICAL COUPLING
- PROTECTION GRILLE
- ANTI-PLASTER CARDBOARD
- INTERLOCKING COVER OR WITH SCREWS

CARACTÉRISTIQUES TECHNIQUES

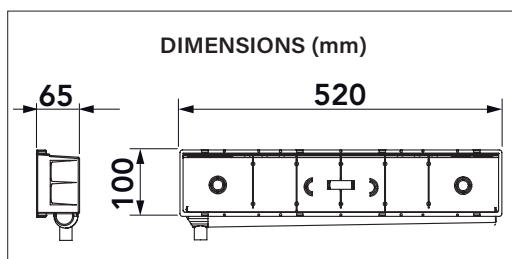
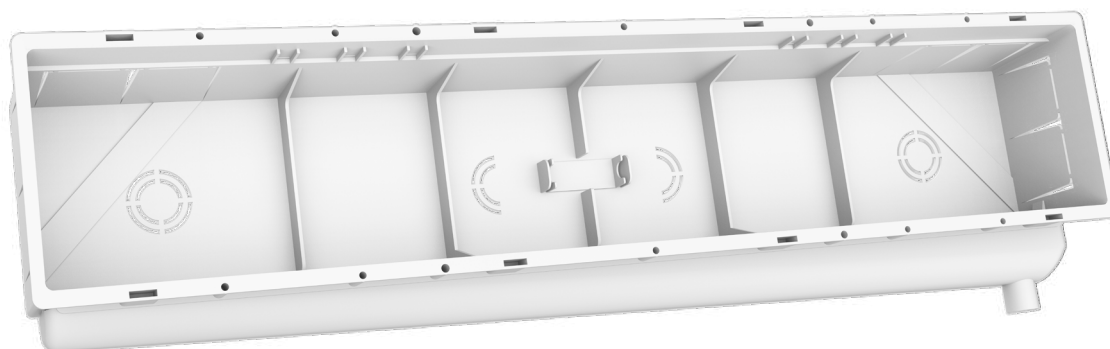
- CONVOYEUR ARRIÈRE INCLINÉ DROITE/GAUCHE RÉVERSIBLE AVEC RACCORDEMENT VERTICAL Ø 20
- GRILLE DE PROTECTION
- CARTON ANTIPLÂTRE
- COUVERCLE EMBÔTABLE OU AVEC VIS

TECHNISCHE EIGENSCHAFTEN

- HINTERES FÖRDERBAND, GENEIGT, REVERSIBEL RECHTS/LINKS MIT VERTIKALEM ANSCHLUSS Ø 20
- SCHUTZGITTER
- ANTI-GIPS-KARTON
- STECKABDECKUNG ODER MIT SCHRAUBEN



 MADE IN ITALY



DOWNLOAD DATASHEET

 AVAILABLE IN SINGULAR PACK OR IN PACK OF 25 PCS

CODE	DESCRIPTION
11100094	FLAT CLASSIC SPLIT INSTALLATION BOX WITH INTERLOCKING COVER

 PLATE KIT + LEVEL FOR BUILT-IN INSTALLATION BOX

 KIT PLAQUE + BULLE POUR PRÉDISPOSITIONS

 PLATTENSATZ + WASSERWAAGE FÜR UNTERPUTZ-INSTALLATIONSBOX

 MADE IN ITALY



DOWNLOAD DATASHEET

CODE	DESCRIPTION
11100130	PLATE KIT + LEVEL FOR BUILT-IN INSTALLATION BOX (10 pcs. pack)

COMPACT ELITE

 BUILT-IN INSTALLATION BOX WITH SIPHON

 PREDISPOSIZIONE CON SIFONE

 UNTERPUTZ-INSTALLATIONSBOX MIT SIPHON

TECHNICAL SPECIFICATIONS

- RIGHT/LEFT REVERSIBLE REAR FUNNEL CONVEYOR WITH DOUBLE SIDE COUPLING Ø 16 - Ø 20
- PROTECTION GRILLE
- ADJUSTABLE TEMPLATE FASTENING PLATES
- BUILT-IN SPIRIT LEVEL
- WORKS ALSO WHEN DRY
- ANTI-CONDENSATION CAVITY
- BUILT-IN SIPHON WITH HERMETIC COVER
- INTERLOCKING COVER OR WITH SCREWS

CARACTÉRISTIQUES TECHNIQUES

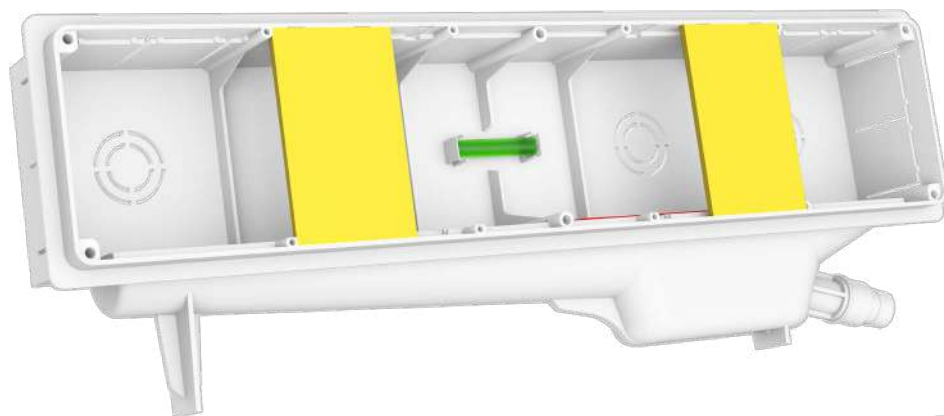
- CONVOYEUR À ENTONNOIR ARRIÈRE RÉVERSIBLE DROITE/GAUCHE AVEC FIXATION DOUBLE CÔTÉ Ø 16 - Ø 20
- GRILLE DE PROTECTION
- PLAQUES DE FIXATION DE GABARIT RÉGLABLES
- BULLE INTÉGRÉE
- MARCHE AUSSI À SEC
- CAVITÉ ANTI-CONDENSATION
- SIPHON INTÉGRÉ AVEC COUVERCLE HERMÉTIQUE
- COUVERCLE EMBÔTABLE OU AVEC VIS

TECHNISCHE EIGENSCHAFTEN

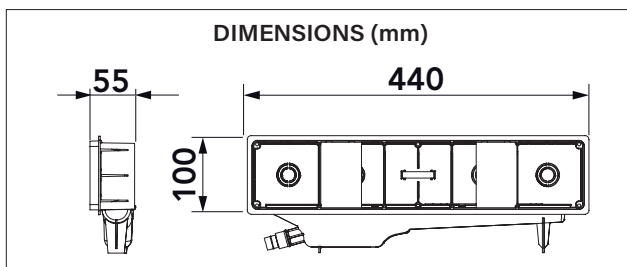
- HINTERER TRICHTERFÖRDERER, REVERSIBEL, RECHTS/LINKS MIT DOPPELSEITIGEM ANSCHLUSS Ø 16 - Ø 20
- SCHUTZGITTER
- VERSTELLBARE PLATTEN ZUR BEFESTIGUNG DER LEHRE
- EINGEBAUTE WASSERWAAGE
- KONDENSATIONSSCHUTZ-HOHLRAUM
- EINGEBAUTER SIPHON MIT HERMETISCHER ABDECKUNG
- STECKABDECKUNG ODER MIT SCHRAUBEN



 MADE IN ITALY



ALSO AVAILABLE IN THE PRACTICAL AND ELEGANT DISPLAY



COMBINATIONS WITH CONDENSATE DRAIN PIPES IN THE CATALOGUE:

- PIPE 18/20 ART.11126346 (DIRECT CONNECTION)
- PIPE 18/20 ART.11126320 (DIRECT CONNECTION)
- TCR-21 RIGID TUBE (USING THE MP-TCR-21)



DOWNLOAD DATASHEET

 AVAILABLE IN SINGULAR PACK OR IN PACK OF 25 PCS

CODE	DESCRIPTION
11100119	COMPACT-ELITE SPLIT INSTALLATION BOX WITH SIPHON AND INTERLOCKING COVER
11100119V	COMPACT-ELITE SPLIT INSTALLATION BOX WITH SIPHON, COVER AND SCREWS

COMPACT CLASSIC



BUILT-IN INSTALLATION BOX



PRÉDISPOSITION



UNTERPUTZ-INSTALLATIONSBOX

TECHNICAL SPECIFICATIONS

- RIGHT/LEFT REVERSIBLE REAR FUNNEL CONVEYOR WITH DOUBLE SIDE COUPLING Ø 16 - Ø 20
- GRILLE DE PROTECTION
- INTERLOCKING COVER OR WITH SCREWS

CARACTÉRISTIQUES TECHNIQUES

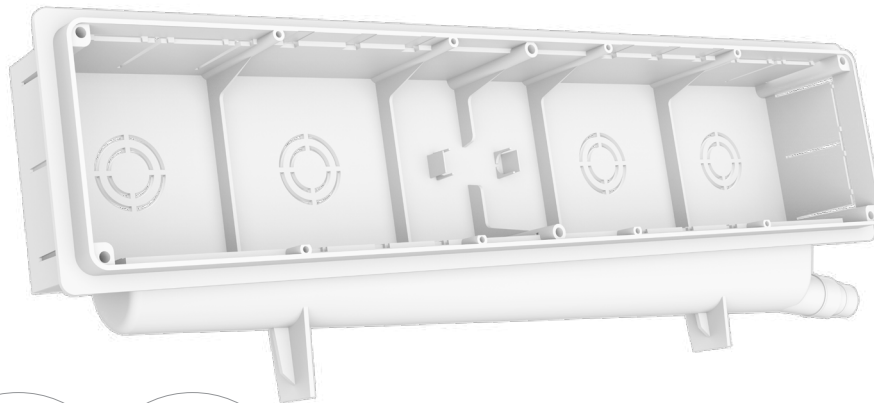
- CONVOYEUR À ENTONNOIR ARRIÈRE RÉVERSIBLE DROITE/GAUCHE AVEC FIXATION DOUBLE CÔTÉ Ø 16 - Ø 20
- GRILLE DE PROTECTION
- COUVERCLE EMBÔTABLE OU AVEC VIS

TECHNISCHE EIGENSCHAFTEN

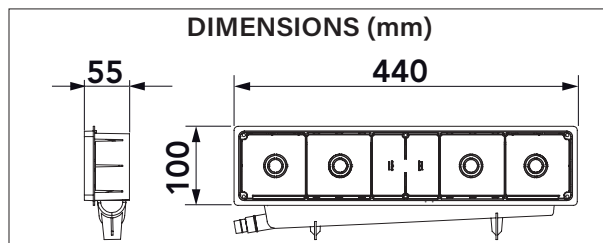
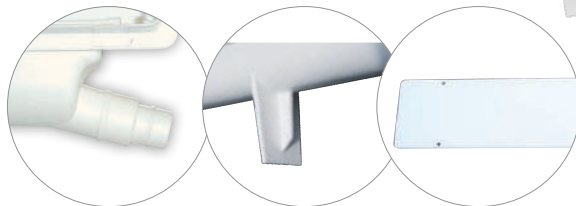
- HINTERER TRICHTERFÖRDERER, REVERSIBEL, RECHTS/LINKS MIT DOPPELSEITIGEM ANSCHLUSS Ø 16 - Ø 20
- SCHUTZGITTER
- STECKABDECKUNG ODER MIT SCHRAUBEN



MADE IN ITALY



ALSO AVAILABLE IN THE PRACTICAL AND ELEGANT DISPLAY



COMBINATIONS WITH CONDENSATE DRAIN PIPES IN THE CATALOGUE:

- PIPE 18/20 ART.11126346 (DIRECT CONNECTION)
- PIPE 18/20 ART.11126320 (DIRECT CONNECTION)
- TCR-21 RIGID TUBE (USING THE MP-TCR-21)



DOWNLOAD DATASHEET

AVAILABLE IN SINGULAR PACK OR IN PACK OF 40 PCS

CODE	DESCRIPTION
11100098	COMPACT-CLASSIC SPLIT INSTALLATION BOX WITH INTERLOCKING COVER
11100098V	COMPACT-CLASSIC SPLIT INSTALLATION BOX WITH COVER AND SCREWS



PLATE KIT + LEVEL FOR BUILT-IN INSTALLATION BOX



KIT PLAQUE + BULLE POUR PRÉDISPOSITIONS



PLATTENSATZ + WASSERWAAGE FÜR UNTERPUTZ-INSTALLATIONSBOX

MADE IN ITALY



DOWNLOAD DATASHEET

CODE	DESCRIPTION
11100130	PLATE KIT + LEVEL FOR BUILT-IN INSTALLATION BOX (10 pcs. pack)

EVO MAXI



BUILT-IN INSTALLATION BOX



PRÉDISPOSITION



UNTERPUTZ-INSTALLATIONSBOX

TECHNICAL SPECIFICATIONS

- REAR CONVEYOR WITH 4 OUTLETS
- 2 SIDE OUTLETS Ø 16 - Ø 20
- 2 VERTICAL OUTLETS Ø 20
- PROTECTION GRILLE
- ANTI-CONDENSATION CAVITY
- ANTI-PLASTER CARDBOARD
- INTERLOCKING COVER OR WITH SCREWS

CARACTÉRISTIQUES TECHNIQUES

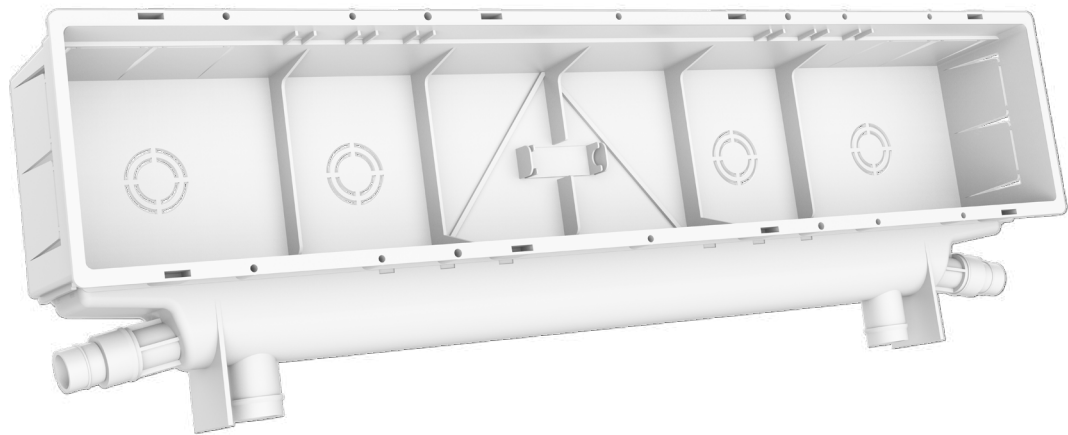
- CONVOYEUR ARRIÈRE À 4 SORTIES
- 2 SORTIES LATÉRALES Ø 16 - Ø 20
- 2 SORTIES VERTICALES Ø 20
- GRILLE DE PROTECTION
- CAVITÉ ANTI-CONDENSATION
- CARTON ANTIPLÂTRE
- COUVERCLE EMBÔTABLE OU AVEC VIS

TECHNISCHE EIGENSCHAFTEN

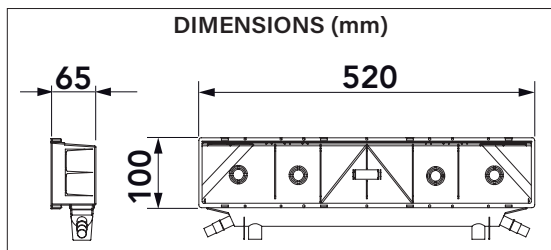
- HINTERES FÖRDERBAND MIT 4 AUSGÄNGEN
- 2 SEITLICHE AUSLÄSSE Ø 16 - Ø 20
- 2 VERTIKALE AUSLÄSSE Ø 20
- SCHUTZGITTER
- KONDENSATIONSSCHUTZ-HOHLRAUM
- ANTI-GIPS-KARTON
- STECKABDECKUNG ODER MIT SCHRAUBEN



MADE IN ITALY



✓ AVAILABLE IN SINGULAR PACK OR IN PACK OF 25 PCS



COMBINATIONS WITH CONDENSATE DRAIN PIPES IN THE CATALOGUE:

- PIPE 18/20 ART.11126346 (DIRECT CONNECTION)
- PIPE 18/20 ART.11126320 (DIRECT CONNECTION)
- TCR-21 RIGID TUBE (USING THE MP-TCR-21)



DOWNLOAD DATASHEET

CODE	DESCRIPTION
11100122	EVO-MAXI SPLIT INSTALLATION BOX WITH INTERLOCKING COVER
11100122V	EVO-MAXI SPLIT INSTALLATION BOX WITH COVER AND SCREWS



PLATE KIT + LEVEL FOR BUILT-IN INSTALLATION BOX



KIT PLAQUE + BULLE POUR PRÉDISPOSITIONS



PLATTENSATZ + WASSERWAAGE FÜR UNTERPUTZ-INSTALLATIONSBOX

MADE IN ITALY



DOWNLOAD DATASHEET

CODE	DESCRIPTION
11100130	PLATE KIT + LEVEL FOR BUILT-IN INSTALLATION BOX (10 pcs. pack)



BUILT-IN INSTALLATION BOX



PRÉDISPOSITION



UNTERPUTZ-INSTALLATIONSBOX

TECHNICAL SPECIFICATIONS

- REAR CONVEYOR WITH 4 OUTLETS
- 2 SIDE OUTLETS Ø 16 - Ø 20
- 2 VERTICAL OUTLETS Ø 20
- PROTECTION GRILLE
- ANTI-CONDENSATION CAVITY
- INTERLOCKING COVER OR WITH SCREWS

CARACTÉRISTIQUES TECHNIQUES

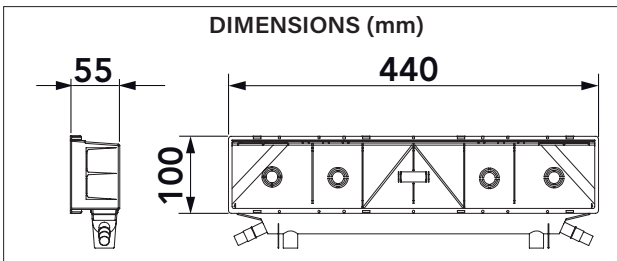
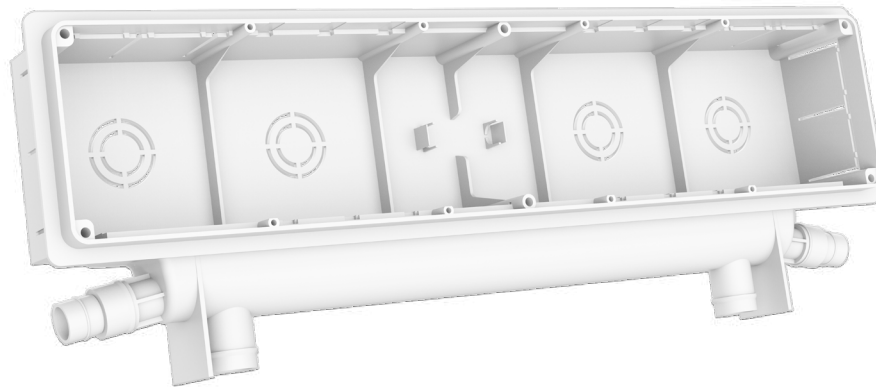
- CONVOYEUR ARRIÈRE À 4 SORTIES
- 2 SORTIES LATÉRALES Ø 16 - Ø 20
- 2 SORTIES VERTICALES Ø 20
- GRILLE DE PROTECTION
- CAVITÉ ANTI-CONDENSATION
- COUVERCLE EMBÔTABLE OU AVEC VIS

TECHNISCHE EIGENSCHAFTEN

- HINTERES FÖRDERBAND MIT 4 AUSGÄNGEN
- 2 SEITLICHE AUSLÄSSE Ø 16 - Ø 20
- 2 VERTIKALE AUSLÄSSE Ø 20
- SCHUTZGITTER
- KONDENSATIONSSCHUTZ-HOHLRAUM
- STECKABDECKUNG ODER MIT SCHRAUBEN



MADE IN ITALY



COMBINATIONS WITH CONDENSATE DRAIN PIPES IN THE CATALOGUE:

- PIPE 18/20 ART.11126346 (DIRECT CONNECTION)
- PIPE 18/20 ART.11126320 (DIRECT CONNECTION)
- TCR-21 RIGID TUBE (USING THE MP-TCR-21)

AVAILABLE IN SINGULAR PACK OR IN PACK OF 40 PCS

CODE	DESCRIPTION
11100120	EVO SPLIT INSTALLATION BOX WITH INTERLOCKING COVER
11100120V	EVO SPLIT INSTALLATION BOX WITH COVER AND SCREWS



DOWNLOAD DATASHEET



PLATE KIT + LEVEL FOR BUILT-IN INSTALLATION BOX



KIT PLAQUE + BULLE POUR PRÉDISPOSITIONS



PLATTENSATZ + WASSERWAAGE FÜR UNTERPUTZ-INSTALLATIONSBOX

MADE IN ITALY



DOWNLOAD DATASHEET

CODE	DESCRIPTION
11100130	PLATE KIT + LEVEL FOR BUILT-IN INSTALLATION BOX (10 pcs. pack)

BOXCLIMA PLUS



BUILT-IN INSTALLATION BOX



PRÉDISPOSITION



UNTERPUTZ-INSTALLATIONSBOX

TECHNICAL SPECIFICATIONS

- MADE OF PREMIUM POLYSTYRENE
- CONVEYOR WITH 2 Ø 20 SIDE OUTLETS WITH O-RING SUPPLIED
- ANTI-CONDENSATION NEOPRENE BAND
- INTERLOCKING COVER WITH SCREWS
- FASTENING TEMPLATE
- REDUCER Ø 16 - 18 WITH O-RING

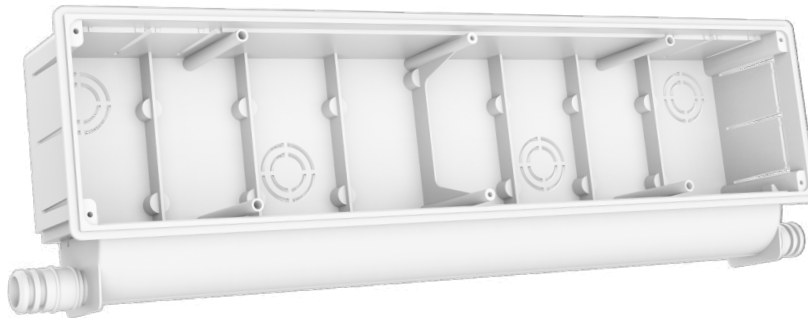
CARACTÉRISTIQUES TECHNIQUES

- FABRIQUÉ EN POLYSTYRÈNE DE QUALITÉ SUPÉRIEURE
- CONVOYEUR AVEC 2 SORTIES LATÉRALES Ø 20 AVEC JOINT TORIQUE FOURNI
- BANDE DE NÉOPRÈNE ANTI-CONDENSATION
- COUVERCLE EMBOÎTABLE AVEC VIS
- GABARIT DE FIXATION
- RÉDUCTEUR Ø 16 - 18 AVEC JOINT TORIQUE

TECHNISCHE EIGENSCHAFTEN

- AUS HOCHWERTIGEM POLYSTYROL
- FÖRDERBAND MIT 2 SEITENAUSGÄNGEN Ø 20 MIT O-RING MITGELIEFERT
- KONDENSATIONSSCHUTZBAND AUS NEOPREN
- STECKABDECKUNG MIT SCHRAUBEN
- MONTAGELEHRE
- GETRIEBE Ø 16 - 18 MIT O-RING

MADE IN ITALY



✓ AVAILABLE IN SINGULAR PACK OR IN PACK OF 20 PCS

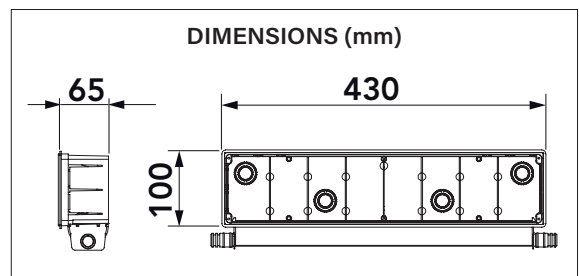
ACCESSORIES

O-RING



REDUCER

FASTENING TEMPLATE



O-RING



SCREW KIT



NEOPRENE BAND



DOWNLOAD DATASHEET

CODE	DESCRIPTION
11100140	BOXCLIMA PLUS SPLIT INSTALLATION BOX INCLUDING ACCESSORIES



SPARE COVER



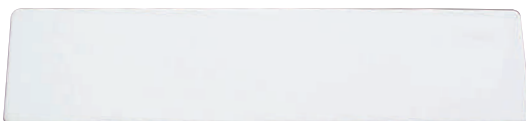
COUVERCLE DE RECHANGE



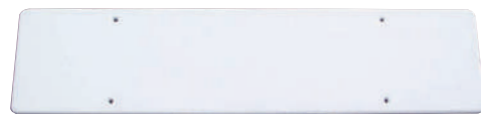
ERSATZDECKEL

AVAILABLE FOR MODELS: PROFESSIONAL ELITE - PROFESSIONAL PLUS - PROFESSIONAL CLASSIC - FLAT CLASSIC - EVO MAXI

Interlock model



Model with holes for screws



CODE	DESCRIPTION
11100097	INTERLOCKING COVER FOR SPLIT INSTALLATION BOX L.520 mm
11100106	COVER WITH SCREWS FOR SPLIT INSTALLATION BOX L.520 mm
SCD200011	INTERLOCKING COVER FOR SPLIT INSTALLATION BOX "ELISIUM HIDRONIC" 520x140
SCD200012	COVER WITH SCREWS FOR SPLIT INSTALLATION BOX "ELISIUM HIDRONIC" 520x140



DOWNLOAD DATASHEET

AVAILABLE FOR MODELS: COMPACT ELITE - COMPACT CLASSIC - EVO

Interlock model



Model with holes for screws



CODE	DESCRIPTION
11100108	INTERLOCKING COVER FOR SPLIT INSTALLATION BOX L.440 mm
11100107	COVER WITH SCREWS FOR SPLIT INSTALLATION BOX L.440 mm



DOWNLOAD DATASHEET

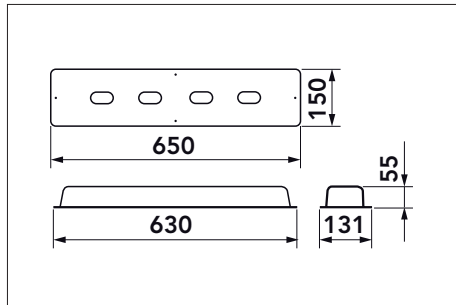
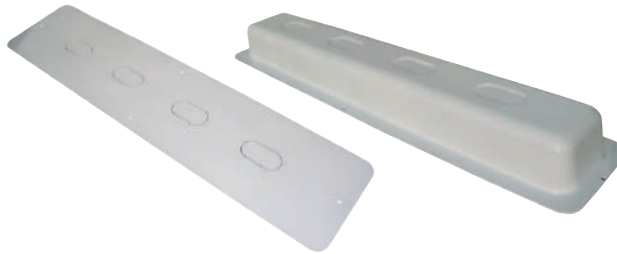
RAPID PLUS

BUILT-IN INSTALLATION BOX FOR BUILT-IN OUTDOOR USE WITH LID

PRÉDISPOSITION POUR L'EXTÉRIEUR À ENCASTRER AVEC COUVERCLE

EINBAU INSTALLATIONS KASTEN FÜR AUSSEN BEREICHE MIT DECKEL

FOR OUTDOOR



DOWNLOAD DATASHEET

CODE	DESCRIPTION
11100125	RAPID PLUS SPLIT INSTALLATION BOX FOR BUILT-IN OUTDOOR USE WITH LID (4 pcs. pack)

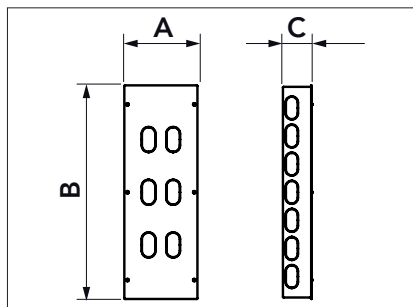
METAL BOX

OUTDOOR BUILT-IN INSTALLATION BOX FOR METAL SPLIT SYSTEMS

PRÉDISPOSITION POUR EXTÉRIEUR POUR LES SYSTÈMES SPLIT EN MÉTAL

UNTERPUTZ-INSTALLATIONSBOX FÜR AUSSENAUFSTELLUNG VON METALLSPALTSYSTEMEN

FOR OUTDOOR



MADE IN ITALY



DOWNLOAD DATASHEET

CODE	DESCRIPTION	DIMENSIONS			N° INLETS	N° OUTPUTS
		A [mm]	B [mm]	C [mm]		
SCD200009	METAL BOX OUTDOOR SPLIT INSTALLATION BOX FOR METAL SPLIT SYSTEMS 150x500x80 (2 pcs. pack)	150	500	80	12	6
SCD200010	METAL BOX OUTDOOR SPLIT INSTALLATION BOX FOR METAL SPLIT SYSTEMS 200x600x80 (2 pcs. pack)	200	600	80	14	8



CONDENSATE DRAIN PIPE
Ø 18 DOUBLE CLADDING -
SLEEVES Ø 16/18



TUYAU DE DRAINAGE
DU CONDENSAT Ø 18
DOUBLE REVÊTEMENT -
MANCHONS Ø 16/18



KONDENSATABLAUFROHR
Ø 18 MIT DOPPELTER
ISOLIERUNG -
MUFFEN Ø 16/18

TECHNICAL SPECIFICATIONS

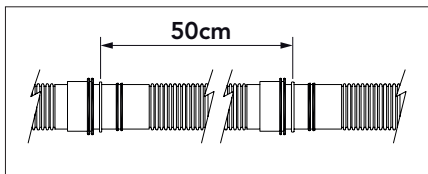
- FOR DUCT AND SUB-TRACK INSTALLATIONS
- PUSH-FIT ON SPLIT INSTALLATION BOX OR SPLIT PIPE
- NO NEED FOR O-RING
- ANTI-UVA POLYETHYLENE
- SLEEVE Ø 16 / 18 (M/F) EVERY 50 CM
- DOUBLE WHITE OUTER COATING AND INNER BLACK TUBE Ø 18

CARACTÉRISTIQUES TECHNIQUES

- POUR LES INSTALLATIONS DANS CONDUITS ET GAINES
- ACCOUPLEMENT À PRESSION SUR TUYAU PRÉDISPOSÉ OU FENDU
- PAS BESOIN DE JOINT TORIQUE
- POLYÉTHYLÈNE ANTI-UVA
- MANCHON Ø 16 / 18 (H/F) TOUS LES 50 CM
- DOUBLE REVÊTEMENT EXTÉRIEUR BLANC ET TUBE NOIR INTÉRIEUR Ø 18

TECHNISCHE EIGENSCHAFTEN

- FÜR DIE MONTAGE IN KANAL UND UNTER PUTZ
- STECKMUFFE AM PRÄDISPOSITIONS- ODER SPLIT-ROHR
- KEIN O-RING ERFORDERLICH
- UVA-GESCHÜTZTES POLYETHYLEN
- MANSCHETTE Ø 16 / 18 (M/W) ALLE 50 CM
- DOPPELTE AUSSEN BESCHICHTUNG WEISS UND INNEN SCHWARZ SCHLAUCH Ø 18

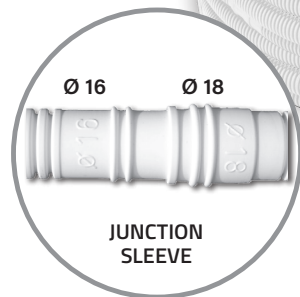


MADE IN ITALY

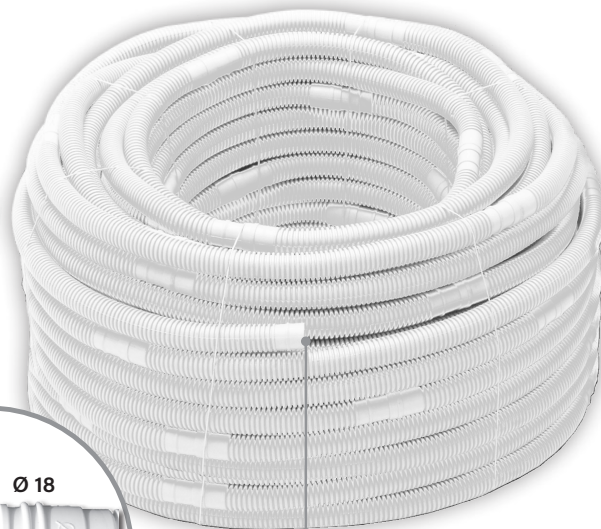
- ✓ FOR DUCT AND SUB-TRACK INSTALLATIONS
- ✓ SLEEVE Ø 16 / 18 (M/F) EVERY 50 CM
- ✓ HANDY CENTRAL OPENING FOR CONVENIENT TUBE EXTRACTION.
- ✓ RESISTANT TO -22 °C



DOUBLE COATING
ANTI UV RAYS



JUNCTION
SLEEVE



DOWNLOAD
DATASHEET

DETAILS

PACKAGING



DOUBLE COATING



CODE	DESCRIPTION	LENGTH
11126344	CONDENSATE DRAIN PIPE Ø 18 DOUBLE CLADDING - WHITE OUTSIDE AND BLACK INSIDE - SLEEVES Ø 16/18- 50M ROLL.	50M ROLL.
SCD300001	CONDENSATE DRAIN PIPE Ø 18 DOUBLE CLADDING - WHITE OUTSIDE AND BLACK INSIDE - SLEEVES Ø 16/18- 25M ROLL.	25M ROLL.



CONDENSATE DRAIN PIPE
Ø 20 DOUBLE CLADDING -
SLEEVES Ø 18/20



TUYAU DE DRAINAGE
DU CONDENSAT Ø 20
DOUBLE REVÊTEMENT -
MANCHONS Ø 18/20



KONDENSATABLAUFROHR
Ø 20 MIT DOPPELTER
ISOLIERUNG -
MUFFEN Ø 18/20

TECHNICAL SPECIFICATIONS

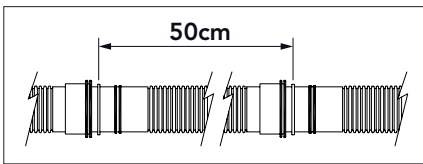
- FOR DUCT AND SUB-TRACK INSTALLATIONS
- PUSH-FIT ON SPLIT INSTALLATION BOX OR SPLIT PIPE OR REGIO SIPHON COD. 11126322B
- NO NEED FOR O-RING
- ANTI-UVA POLYETHYLENE
- SLEEVE Ø 18 / 20 (M/F) EVERY 50 CM
- DOUBLE WHITE OUTER COATING AND INNER BLACK TUBE Ø 20

CARACTÉRISTIQUES TECHNIQUES

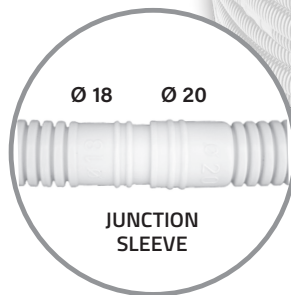
- POUR LES INSTALLATIONS DANS CONDUITS ET GAINES
- ACCOUPLEMENT À PRESSION SUR TUYAU PRÉDISPOSÉ OU FENDU OU SIPHON REGIO CODE 11126322B
- PAS BESOIN DE JOINT TORIQUE
- POLYÉTHYLÈNE ANTI-UVA
- MANCHON Ø 18 / 20 (H/F) TOUS LES 50 cm
- DOUBLE REVÊTEMENT EXTÉRIEUR BLANC ET TUBE NOIR INTÉRIEUR Ø 20

TECHNISCHE EIGENSCHAFTEN

- FÜR DIE MONTAGE IN KANAL UND UNTER PUTZ
- STECKMUFFE AM PRÄDISPOSITION ODER SPLIT-ROHR ODER SIPHON REGIO COD. 11126322B
- KEIN O-RING ERFORDERLICH
- UVA-GESCHÜTZTES POLYETHYLEN
- MANSCHETTE Ø 18 / 20 (M/W) ALLE 50 CM
- DOPPELTE AUSSENBSCHICHTUNG WEISS UND INNEN SCHWARZ SCHLAUCH Ø 20



- ✓ FOR DUCT AND SUB-TRACK INSTALLATIONS
- ✓ SLEEVE Ø 18 / 20 (M/F) EVERY 50 CM
- ✓ HANDY CENTRAL OPENING FOR CONVENIENT TUBE EXTRACTION.
- ✓ RESISTANT TO -22 °C



MADE IN ITALY



DOWNLOAD
DATASHEET

DETAILS

PACKAGING



DOUBLE COATING



CODE	DESCRIPTION	LENGTH
11126345	CONDENSATE DRAIN PIPE Ø 20 DOUBLE CLADDING - WHITE OUTSIDE AND BLACK INSIDE - SLEEVES Ø 18/20- 50M ROLL.	50M ROLL.
SCD300002	CONDENSATE DRAIN PIPE Ø 20 DOUBLE CLADDING - WHITE OUTSIDE AND BLACK INSIDE - SLEEVES Ø 18/20- 25M ROLL.	25M ROLL.



CONDENSATE DRAIN PIPE
Ø 18 SINGLE CLADDING -
SLEEVES Ø 16/18



TUYAU DE DRAINAGE
DU CONDENSAT Ø 18
SIMPLE REVÊTEMENT -
MANCHONS Ø 16/18



KONDENSATABLAUFROHR
Ø 18
EINFACHBESCHICHTUNG -
MUFFEN Ø 16/18

TECHNICAL SPECIFICATIONS

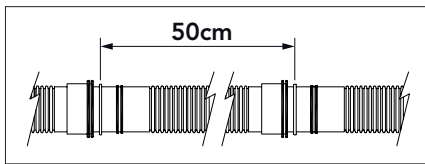
- FOR DUCT AND SUB-TRACK INSTALLATIONS
- PUSH-FIT ON SPLIT INSTALLATION BOX OR SPLIT PIPE OR REGIO SIPHON COD. 11126322B
- NO NEED FOR O-RING
- ANTI-UVA POLYETHYLENE
- SLEEVE Ø 18 / 20 (M/F) EVERY 50 CM
- DOUBLE WHITE OUTER COATING AND INNER BLACK TUBE Ø 20

CARACTÉRISTIQUES TECHNIQUES

- POUR LES INSTALLATIONS DANS CONDUITS ET GAINES
- ACCOUPLEMENT À PRESSION SUR TUYAU PRÉDISPOSÉ OU FENDU OU SIPHON REGIO CODE 11126322B
- PAS BESOIN DE JOINT TORIQUE
- POLYÉTHYLÈNE ANTI-UVA
- MANCHON Ø 18 / 20 (H/F) TOUS LES 50 CM
- DOUBLE REVÊTEMENT EXTÉRIEUR BLANC ET TUBE NOIR INTÉRIEUR Ø 20

TECHNISCHE EIGENSCHAFTEN

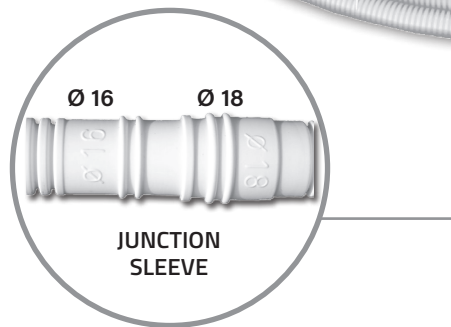
- FÜR DIE MONTAGE IN KANAL UND UNTER PUTZ
- STECKMUFFE AM PRÄDISPOSITION ODER SPLIT-ROHR ODER SIPHON REGIO COD. 11126322B
- KEIN O-RING ERFORDERLICH
- UVA-GESCHÜTZTES POLYETHYLEN
- MANSCHETTE Ø 18 / 20 (M/W) ALLE 50 CM
- DOPPELTE AUSSEN BESCHICHTUNG WEISS UND INNEN SCHWARZ SCHLAUCH Ø 20



MADE IN ITALY



- ✓ FOR DUCT INSTALLATIONS
- ✓ SLEEVE Ø 16 / 18 (M/F) EVERY 50 CM
- ✓ HANDY CENTRAL OPENING FOR CONVENIENT TUBE EXTRACTION.
- ✓ RESISTANT TO -22° C



DOWNLOAD
DATASHEET

DETAILS

PACKAGING



PIPE CROSS-SECTION



CODE	DESCRIPTION	LENGTH
11126316	CONDENSATE DRAIN PIPE Ø 18 SINGLE WHITE CLADDING - SLEEVES Ø 16/18- 50M ROLL.	50M ROLL.



CONDENSATE DRAIN PIPE
Ø 20 SINGLE CLADDING -
SLEEVES Ø 18/20



TUYAU DE DRAINAGE
DU CONDENSAT Ø 20
SIMPLE REVÊTEMENT -
MANCHONS Ø 18/20



KONDENSATABLAUFROHR
Ø 20
EINFACHBESCHICHTUNG -
MUFFEN Ø 18/20

TECHNICAL SPECIFICATIONS

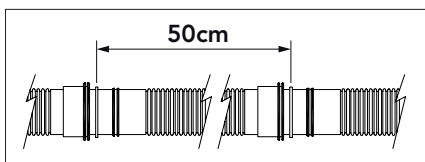
- FOR DUCT INSTALLATIONS
- NO NEED FOR O-RING
- LOW DENSITY ANTI-UVA POLYETHYLENE
- SLEEVE Ø 18 / 20 EVERY 50 CM
- SINGLE WHITE COATING

CARACTÉRISTIQUES TECHNIQUES

- POUR L'INSTALLATION DANS UNE GAINE
- PAS BESOIN DE JOINT TORIQUE
- POLYÉTHYLÈNE ANTI-UVA BASSE DENSITÉ
- MANCHON Ø 18 / 20 TOUTS LES 50 CM
- REVÊTEMENT BLANC SIMPLE

TECHNISCHE EIGENSCHAFTEN

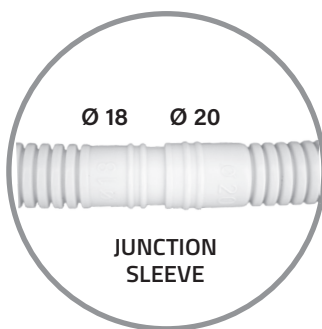
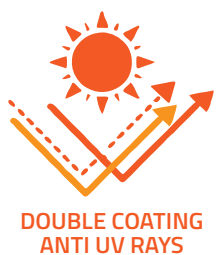
- FÜR DIE MONTAGE IN KANAL
- KEIN O-RING ERFORDERLICH
- UVA-GESCHÜTZTES POLYETHYLEN MIT NIEDRIGER DICHTHE
- MANSCHETTE Ø 18 / 20 ALLE 50 CM
- EINFACHE WEISSE BESCHICHTUNG



MADE IN ITALY



- ✓ FOR DUCT INSTALLATIONS
- ✓ SLEEVE Ø 18 / 20 (M/F) EVERY 50 CM
- ✓ HANDY CENTRAL OPENING FOR CONVENIENT TUBE EXTRACTION.
- ✓ RESISTANT TO -22°C



DOWNLOAD
DATASHEET

DETAILS

PACKAGING



PIPE CROSS-SECTION



CODE	DESCRIPTION	LENGTH
11126320	CONDENSATE DRAIN PIPE Ø 20 SINGLE WHITE CLADDING - SLEEVES Ø 18/20 - 50M ROLL.	50M ROLL.



CONDENSATE DRAIN PIPE
REINFORCED BY UNDER-
TRACT Ø 18 SINGLE CLADDING
WITH O-RING



TUYAU DE DRAINAGE DU
CONDENSAT RENFORCÉ POUR
ENCASTREMENT Ø 18 SIMPLE
REVÊTEMENT AVEC JOINT
TORIQUE



VERSTÄRKTE
KONDENSATABLEITUNG FÜR
UNTERFLURVERLEGUNG Ø 18
EINFACHBESCHICHTUNG MIT
O-RING

TECHNICAL SPECIFICATIONS

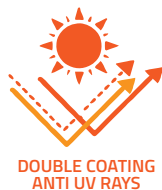
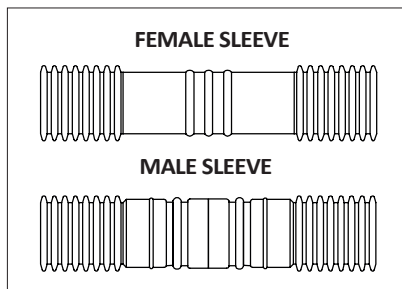
- FOR SUB-TRACK INSTALLATIONS
- PUSH-FIT ON SPLIT INSTALLATION BOX
- LOW DENSITY ANTI-UVA POLYETHYLENE
- SLEEVE Ø 16 - 16 / 18 - 18 EVERY 50 CM
- ROLL 50 M
- 30 O-RINGS SUPPLIED
- SINGLE BLUE COATING

CARACTÉRISTIQUES TECHNIQUES

- POUR LES INSTALLATIONS SOUS GAINÉ
- ACCOUPLEMENT À PRESSION SUR LA PRÉDISPOSITION
- POLYÉTHYLÈNE ANTI-UVA BASSE DENSITÉ
- MANCHON Ø 16 - 16 / 18 - 18 TOUS LES 50 CM
- ROULEAU DE 50 M
- 30 JOINTS TORIQUES FOURNIS
- REVÊTEMENT BLEU SIMPLE

TECHNISCHE EIGENSCHAFTEN

- FÜR DIE MONTAGE UNTER PUTZ
- STECKMUFFE AN PRÄDISPOSITION
- UVA-GESCHÜTZTES POLYETHYLEN MIT NIEDRIGER DICHTÉ
- MANSCHETTE Ø 16 - 16 / 18 - 18 ALLE 50 CM
- 50 M ROLLE
- 30 O-RINGE IM LIEFERUMFANG ENTHALTEN
- EINFACHE BLAUE BESCHICHTUNG



MADE IN ITALY



✓ SLEEVE Ø 16 - 16 / 18 - 18 (M/F)
EVERY 50 CM



✓ for SPLIT INSTALLATION BOX
see page. 36



DOWNLOAD
DATASHEET

DETAILS



PACKAGING

CODE	DESCRIPTION	LENGTH
11126344T	CONDENSATE DRAIN PIPE REINFORCED FOR SUB-TRACK INSTALLATIONS Ø 18 SINGLE CLADDING WITH O-RING - 50M ROLL.	50M ROLL.



O-RING FOR
REINFORCED CONDENSATE
DRAIN PIPE Ø 18
UNDER TRACK
SINGLE COATING



JOINT TORIQUE POUR
TUBE CONDENSATS
RENFORCÉ Ø 18
SOUS PISTE
SIMPLE REVÊTEMENT



O-RING FÜR
VERSTÄRKTES KONDENSAT-
ABLAUFROHR Ø 18
UNTER KURS
EINZELNE ABDECKUNG



CODE	DESCRIPTION
KIT87	Ø18 O-RING KIT (60 pcs. pack)



CONDENSATE DRAIN PIPE
REINFORCED FOR SUB-TRACK Ø 20
SINGLE CLADDING WITH O-RING



TUYAU DE DRAINAGE DU
CONDENSAT RENFORCÉ POUR
ENCASTREMENT Ø 20 SIMPLE
REVÊTEMENT AVEC JOINT TORIQUE



VERSTÄRKTKE KONDENSAT-
ABLEITUNG FÜR
UNTERFLURVERLEGUNG Ø 20
EINFACHBESCHICHTUNG MIT O-RING

TECHNICAL SPECIFICATIONS

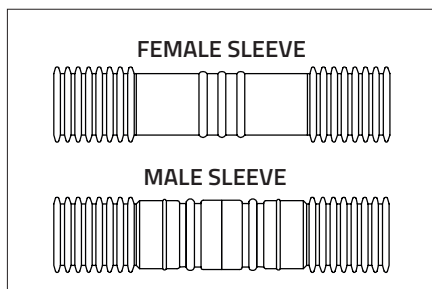
- SUITABLE FOR FLUSH INSTALLATIONS
- PUSH-FIT ON SPLIT INSTALLATION BOX
- LOW DENSITY ANTI-UVA POLYETHYLENE
- SLEEVE Ø 18 - 18 / 20 - 20 EVERY 50 CM
- 30 O-RINGS SUPPLIED
- SINGLE WHITE COATING

CARACTÉRISTIQUES TECHNIQUES

- POUR LES INSTALLATIONS SOUS GAINÉ
- ACCOUPLEMENT À PRESSION SUR LA PRÉDISPOSITION
- POLYÉTHYLÈNE ANTI-UVA BASSE DENSITÉ
- MANCHON Ø 18 - 18 / 20 - 20 TOUS LES 50 CM
- 30 JOINTS TORIQUES FOURNIS
- REVÊTEMENT BLANC SIMPLE

TECHNISCHE EIGENSCHAFTEN

- FÜR DIE MONTAGE UNTERPUTZINSTALLATION
- STECKMUFFE AN PRÄDISPOSITION
- UVA-GESCHÜTZTES POLYETHYLEN MIT NIEDRIGER DICHTÉ
- MANSCHETTE Ø 18 - 18 / 20 - 20 ALLE 50 CM
- 30 O-RINGE IM LIEFERUMFANG ENTHALTEN
- EINFACHE WEISSE BESCHICHTUNG



MADE IN ITALY



✓ SLEEVE Ø 18-18 / 20-20 (M/F)
EVERY 50 cm



✓ for SPLIT INSTALLATION BOX
see page. 36



DOWNLOAD
DATASHEET

DETAILS



PACKAGING

CODE	DESCRIPTION	LENGTH
11126346T	CONDENSATE DRAIN PIPE REINFORCED FOR SUB-TRACK INSTALLATIONS Ø 20 SINGLE CLADDING WITH O-RING - 50M ROLL.	50M ROLL.



O-RING FOR
REINFORCED CONDENSATE
DRAIN PIPE Ø 20
UNDER TRACK
SINGLE COATING



JOINT TORIQUE POUR
TUBE CONDENSATS
RENFORCÉ Ø 20
SOUS GAINÉ,
SIMPLE REVÊTEMENT



O-RING FÜR
VERSTÄRKTES KONDENSAT-
ABLAUFROHR Ø 20
UNTER KURS
EINZELNE ABDECKUNG



CODE	DESCRIPTION
KIT88	Ø20 O-RING KIT (60 pcs. pack)



BLUE CONDENSATE DRAIN PIPE REINFORCED FOR SUB-TRACK Ø 20 SINGLE CLADDING - SLEEVES Ø 18/20



TUYAU DE DRAINAGE DU CONDENSAT BLEU RENFORCÉ POUR ENCASTREMENT Ø 20 MONOCOUCHE - MANCHONS Ø 18/20



HELLBLAUE KONDENSAT-ABLEITUNG VERSTÄRKT FÜR UNTERFLURVERLEGUNG MIT Ø 20 EINFACHBESCHICHTUNG - MUFFEN Ø 18/20

TECHNICAL SPECIFICATIONS

- SUITABLE FOR FLUSH INSTALLATIONS
- PUSH-FIT ON SPLIT INSTALLATION BOX
- NO NEED FOR O-RING
- ANTI-UVA HIGH-DENSITY POLYETHYLENE
- SLEEVE Ø 18 / 20 EVERY 50 CM
- ULTRA-FLEXIBLE 50M ROLL OR ULTRA-FLEXIBLE 25M BLISTER
- SINGLE BLUE COATING

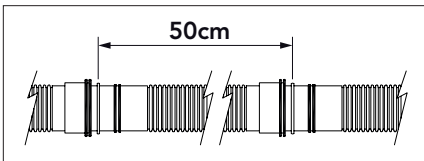
CARACTÉRISTIQUES TECHNIQUES

- POUR LES INSTALLATIONS SOUS GAINÉ
- ACCOUPLEMENT À PRESSION SUR LA PRÉDISPOSITION
- PAS BESOIN DE JOINT TORIQUE
- POLYÉTHYLÈNE HAUTE DENSITÉ ANTI-UVA
- MANCHON Ø 18 / 20 TOUS LES 50 CM
- ROULEAU DE 50 M ULTRA-FLEXIBLE OU BLISTER DE 25 M ULTRA-FLEXIBLE
- REVÊTEMENT BLEU SIMPLE


TECHNISCHE EIGENSCHAFTEN

- FÜR DIE MONTAGE UNTERPUTZINSTALLATION
- STECKMUFFE AN PRÄDISPOSITION
- KEIN O-RING ERFORDERLICH
- UVA-GESCHÜTZTES HOCHDICHTES POLYETHYLEN
- MANSCHETTE Ø 18 / 20 ALLE 50 CM
- ULTRAFLEXIBLE 50-M-ROLLE ODER ULTRAFLEXIBLE 25-M-BLISTERPACKUNG
- EINFACHE BLAUE BESCHICHTUNG

 **MADE IN ITALY**

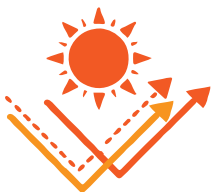


 **RESISTANT TO -22°C**

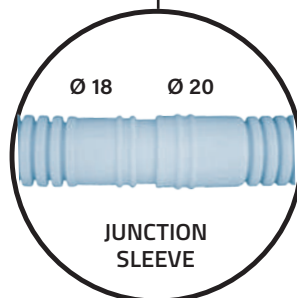
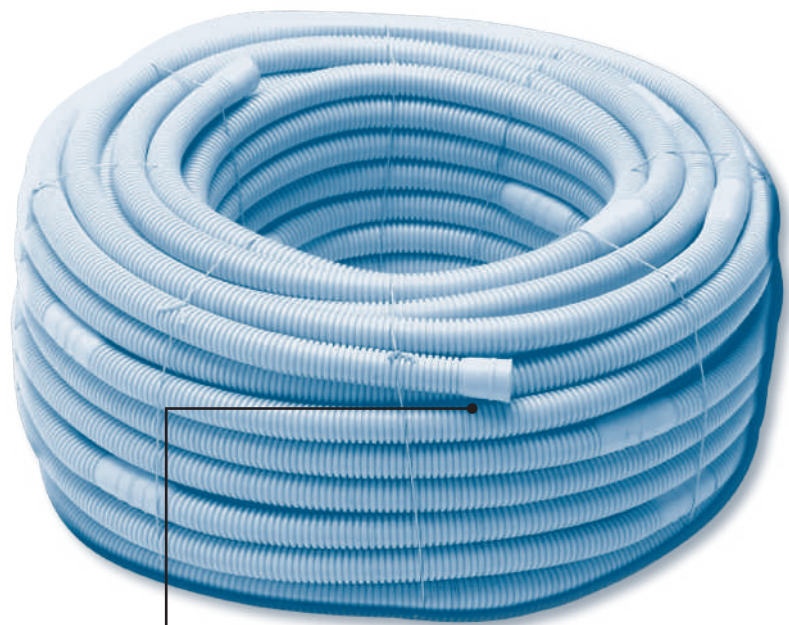
 **SLEEVE Ø 16 - 16 / 18 - 18 EVERY 50 CM**



 **for SPLIT INSTALLATION BOX see page. 36**



DOUBLE COATING ANTI UV RAYS



DOWNLOAD DATASHEET

CODE	DESCRIPTION	LENGTH
11126346	BLUE CONDENSATE DRAIN PIPE REINFORCED FOR SUB-TRACK INSTALLATIONS Ø 20 SINGLE CLADDING - SLEEVES Ø 18/20 - 50M ROLL.	50M ROLL.
SCD300003	BLUE CONDENSATE DRAIN PIPE REINFORCED FOR SUB-TRACK INSTALLATIONS Ø 20 SINGLE CLADDING - SLEEVES Ø 18/20 - 25M ROLL.	25M ROLL.



CONDENSATE DRAIN PIPE DOUBLE INSULATED CLADDING Ø 14 AND Ø 16 FOR SUB-TRACK AND DUCT INSTALLATION



TUYAU DE DRAINAGE DU CONDENSAT DOUBLE REVÊTEMENT ISOLÉ Ø 14 ET Ø 16 POUR INSTALLATION ENCASTRÉE ET DANS GOULOTTE



KONDENSATABLEITUNG MIT DOPPELTER ISOLIERUNG Ø 14 UND Ø 16 FÜR UNTERFLURVERLEGUNG UND IN KANÄLEN

TECHNICAL SPECIFICATIONS

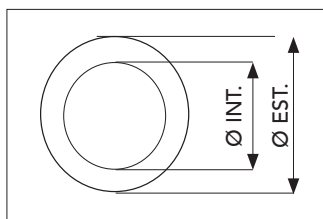
- SUITABLE FOR DUCT AND FLUSH INSTALLATIONS
- PUSH-FIT ON SPLIT INSTALLATION BOX
- NO NEED FOR O-RING
- 6MM INSULATION
- DOUBLE OUTER COATING WHITE INNER BLACK
- ROLL 20 m

CARACTÉRISTIQUES TECHNIQUES

- POUR LES INSTALLATIONS SOUS GAINÉ ET LES GAINES DE CÂBLES
- ACCOUPLEMENT À PRESSION SUR LA PRÉDISPOSITION
- PAS BESOIN DE JOINT TORIQUE
- ISOLATION DE 6 MM
- DOUBLE REVÊTEMENT EXTÉRIEUR BLANC NOIR INTÉRIEUR
- ROULEAU DE 20 m

TECHNISCHE EIGENSCHAFTEN

- FÜR DIE MONTAGE UNTERPUTZINSTALLATION UND IN KANAL
- STECKMUFFE AN PRÄDISPOSITION
- KEIN O-RING ERFORDERLICH
- 6 MM DÄMMUNG
- DOPPELTE AUSSENBSCHICHTUNG WEISS INNEN SCHWARZ
- 20 m ROLLE



DOWNLOAD DATASHEET

CODE	DESCRIPTION	Ø INT. [mm]	Ø EXT. [mm]
11126328	CONDENSATE DRAIN PIPE DOUBLE INSULATED CLADDING Ø 14 - WHITE OUTSIDE AND BLACK INSIDE - FOR SUB-TRACK AND DUCT INSTALLATION - 20m LENGTH	14	26
SCC300005	CONDENSATE DRAIN PIPE DOUBLE INSULATED CLADDING Ø 20 - WHITE OUTSIDE AND BLACK INSIDE - FOR SUB-TRACK AND DUCT INSTALLATION - 20m LENGTH	20	31

MADE IN ITALY



30 M COILED PVC CONDENSATE DRAIN PIPE FOR SUB-TRACK AND DUCT INSTALLATION



TUYAU DE DRAINAGE DU CONDENSAT EN PVC ENROULÉ DE 30 M POUR INSTALLATION ENCASTRÉE ET DANS GOULOTTE



30 M SPIRALFÖRMIGE PVC-KONDENSATABLEITUNG FÜR UNTERFLURVERLEGUNG UND IN KANÄLEN



DOWNLOAD DATASHEET

CODE	DESCRIPTION	LENGTH
11126326	COILED WHITE PVC CONDENSATE DRAIN PIPE Ø16 - SINGLE CLADDING - 30M ROLL.	30M ROLL.
111263268	COILED WHITE PVC CONDENSATE DRAIN PIPE Ø18 - SINGLE CLADDING - 30M ROLL.	30M ROLL.
11126327	COILED WHITE PVC CONDENSATE DRAIN PIPE Ø20 - SINGLE CLADDING - 30M ROLL.	30M ROLL.
SCC300006	COILED WHITE PVC CONDENSATE DRAIN PIPE Ø25 - SINGLE CLADDING - 30M ROLL.	30M ROLL.
111263274	COILED WHITE PVC CONDENSATE DRAIN PIPE Ø32 - SINGLE CLADDING - 30M ROLL.	30M ROLL.


2-WAY "Y" FITTING
 Ø 18-20


MADE IN ITALY




RACCORD EN "Y" A 2 VOIES
 Ø 18 - 20


2-WEGE "Y"-ANSCHLUSS
 Ø 18 - 20



DOWNLOAD DATASHEET

CODE	DESCRIPTION
11126001	2-WAY "Y" FITTING Ø 18-20 (10 pcs. pack)


2-WAY "Y" FITTING
 Ø 16-18


MADE IN ITALY





RACCORD EN "Y" A 2 VOIES
 Ø 16-18



2-WEGE "Y"-ANSCHLUSS
 Ø 16-18





DOWNLOAD DATASHEET


CODE	DESCRIPTION
11126000	2-WAY "Y" FITTING Ø 16-18 (10 pcs. pack)



3-WAY STRAIGHT FITTING
 Ø 20-18-16


MADE IN ITALY




RACCORD DROIT A 3 VOIES
 Ø 20-18-16



3-WEGE-GERADER ANSCHLUSS
 Ø 20-18-16





DOWNLOAD DATASHEET


CODE	DESCRIPTION
11126003	3-WAY STRAIGHT FITTING Ø20-18-16 (10 pcs. pack)



2-WAY STRAIGHT FITTING
 Ø 20-18-16


MADE IN ITALY




RACCORD DROIT A 2 VOIES
 Ø 20-18-16


2-WEGE-GERADER ANSCHLUSS
 Ø 20-18-16



DOWNLOAD DATASHEET

CODE	DESCRIPTION
11126002	3-WAY STRAIGHT FITTING Ø20-18-16 (10 pcs. pack)


1-WAY STRAIGHT FITTING
 Ø 20-18-16


MADE IN ITALY





RACCORD DROIT A 1 VOIES
 Ø 20-18-16



1-WEGE-GERADER ANSCHLUSS
 Ø 20-18-16





DOWNLOAD DATASHEET


CODE	DESCRIPTION
11126010	1-WAY STRAIGHT FITTING Ø 20-18-16 (10 pcs. pack)



"T" PIPE FITTING
 Ø 18-20


MADE IN ITALY





RACCORD EN "T" POUR TUYAU
 Ø 18-20


"T"-ROHR-ANSCHLUSS
 Ø 20-18-16



DOWNLOAD DATASHEET

CODE	DESCRIPTION
11126365	"T" PIPE FITTING Ø 18-20 (10 pcs. pack)

 TWO-WAY "Y" FITTING FOR FLEXIBLE CONDENSATE PIPE WITH O-RING

 RACCORD EN "Y" DEUX VOIES POUR TUYAU DE CONDENSAT FLEXIBLE AVEC JOINT TORIQUE

 ZWEI-WEGE "Y"-ANSCHLUSS FÜR FLEXIBLE KONDENSATLEITUNG MIT O-RING

COMPLETE WITH 6 SEALING O-RINGS


EXAMPLE





DOWNLOAD DATASHEET

 MADE IN ITALY

CODE	DESCRIPTION	Ø
11126020	TWO-WAY "Y" FITTING Ø18-18 FOR FLEXIBLE CONDENSATE PIPE WITH O-RING (10 pcs. pack)	18 - 18
11126022	TWO-WAY "Y" FITTING Ø20-20 FOR FLEXIBLE CONDENSATE PIPE WITH O-RING (10 pcs. pack)	20 - 20

 O-RING FOR REINFORCED CONDENSATE DRAIN PIPE Ø18 AND Ø20 UNDER TRACK SINGLE COATING

 JOINT TORIQUE POUR TUBE CONDENSATS RENFORCE Ø18 ET Ø20 SOUS PISTE SIMPLE REVÊTEMENT

 O-RING FÜR VERSTÄRKTES KONDENSAT-ABLAUFROHR Ø18 UND Ø20 UNTER KURS EINZELNE ABDECKUNG

PACK OF 60 GASKETS

CODE	DESCRIPTION
KIT87	Ø18 O-RING KIT (60 pcs. pack)
KIT88	Ø20 O-RING KIT (60 pcs. pack)



 CONNECTING SLEEVE FOR FLEXIBLE HOSE / FLEXIBLE HOSE WITH O-RING

 MANCHON DE RACCORDEMENT POUR TUBE FLEXIBLE/FLEXIBLE AVEC JOINT TORIQUE

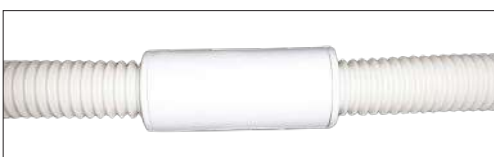
 VERBINDUNGSMUFFE FÜR SCHLAUCH / SCHLAUCH MIT O-RING

COMPLETE WITH 4 SEALING O-RINGS

 MADE IN ITALY



EXAMPLE



DOWNLOAD DATASHEET

CODE	DESCRIPTION	Ø
11126030	CONNECTING SLEEVE FOR FLEXIBLE HOSE / FLEXIBLE HOSE Ø18-18 WITH O-RING (15 pcs. pack)	18 - 18
11126032	CONNECTING SLEEVE FOR FLEXIBLE HOSE / FLEXIBLE HOSE Ø20-20 WITH O-RING (15 pcs. pack)	20 - 20

 CONNECTING SLEEVE
FOR RIGID FLEXIBLE
HOSE WITH O-RING

 MANCHON DE RACCORDEMENT
POUR TUBE FLEXIBLE RIGIDE
AVEC JOINT TORIQUE

 VERBINDUNGSMUFFE
FÜR STARREN /
SCHLAUCH MIT O-RING

COMPLETE WITH 3 SEALING O-RINGS

 MADE IN ITALY

EXAMPLE



DOWNLOAD
DATASHEET

ATTENTION! ALWAYS DEBURR THE RIGID PIPE TO FACILITATE INSERTION INTO THE SLEEVE

CODE	DESCRIPTION	Ø
11126040	CONNECTING SLEEVE FOR RIGID FLEXIBLE HOSE Ø21-18 WITH O-RING (15 pcs. pack)	21 - 18
11126042	CONNECTING SLEEVE FOR RIGID FLEXIBLE HOSE Ø21-20 WITH O-RING (15 pcs. pack)	21 - 20

 SLEEVE PREPARATION
FOR SPIRAL PVC
FLEXIBLE HOSE

 MANCHON PRÉDISPOSITION
POUR TUBE FLEXIBLE
SPIRALÉ EN PVC

 VORBEREITUNGSMUFFE
FÜR SPIRALFORMIGEN
PVC-SCHLAUCH



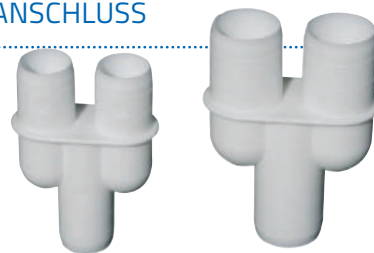
DOWNLOAD
DATASHEET

CODE	DESCRIPTION	Ø
11126052	SLEEVE PREPARATION FOR SPIRAL PVC FLEXIBLE HOSE Ø20-20	20 - 20
SCC300007	SLEEVE PREPARATION FOR SPIRAL PVC FLEXIBLE HOSE Ø20-32	20 - 32

 "Y" FITTING

 RACCORD EN "Y"

 "Y"-ANSCHLUSS



DOWNLOAD
DATASHEET

CODE	DESCRIPTION	Ø
11126340	"Y" FITTING M-M-M Ø 16 (10 pcs. pack)	Ø 16
11126341	"Y" FITTING M-M-M Ø 20 (10 pcs. pack)	Ø 20

 REDUCED JOINT
Ø 20/16

 JOINT RÉDUIT
Ø 20/16

 REDUZIERTES
ANSCHLUSS Ø 20/16

 MADE IN ITALY



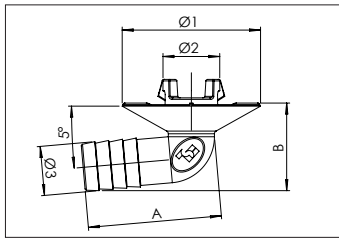
DOWNLOAD
DATASHEET

CODE	DESCRIPTION
11126339	REDUCED JOINT M/M Ø 20/16 (10 pcs. pack)

 95° ANGLED CONDENSATE DRAIN PIPETTE WITH SNAP-ON ATTACHMENT

 PIPETTE D'ÉVACUATION DES CONDENSATS COUDÉE À 95° AVEC RACCORD DE PRESSION

 KONDENSATABLEITUNGSROHR IM 95°-WINKEL MIT STECKKUPPLUNG



  MADE IN ITALY



DOWNLOAD DATASHEET

AVAILABLE FROM MAY 2023

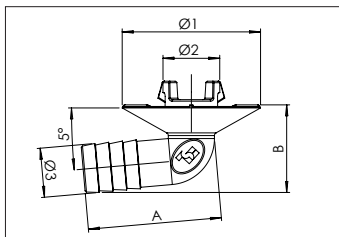
CODE	DESCRIPTION	A [mm]	B [mm]	Ø1 [mm]	Ø2 [mm]	Ø3 [mm]
SCD300043	CONDENSATE DRAIN PIPETTE Ø19 PIPE CONNECTION Ø16 (5 PCS. PACK)	43,4	28,5	45	19	16
SCD300044	CONDENSATE DRAIN PIPETTE Ø19 PIPE CONNECTION Ø20 (5 PCS. PACK)	50,2	31,7	45	19	20
SCD300045	CONDENSATE DRAIN PIPETTE Ø32 PIPE CONNECTION Ø16 (5 PCS. PACK)	43,4	28,5	45	32	16
SCD300046	CONDENSATE DRAIN PIPETTE Ø32 PIPE CONNECTION Ø20 (5 PCS. PACK)	50,2	31,7	45	32	20

 95° ANGLED CONDENSATE DRAIN PIPETTE KIT WITH SNAP-ON ATTACHMENT

 KIT PIPETTE DE VIDANGE DES CONDENSATS COUDÉE À 95° À ENCLÈCHEMENT PAR PRESSION

 KIT MIT 95° ABGEWINKELTEM KONDENSATABLEITUNGSROHR MIT STECKKUPPLUNG

THE KIT CONSISTS OF: 1 PIPETTE AND 2 CAPS



  MADE IN ITALY




DOWNLOAD DATASHEET

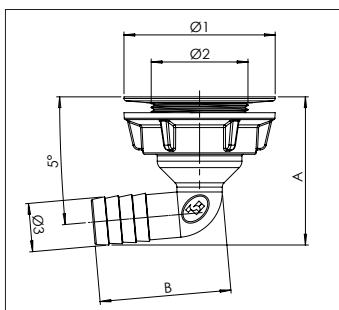
AVAILABLE FROM MAY 2023

CODE	DESCRIPTION	A [mm]	B [mm]	Ø1 [mm]	Ø2 [mm]	Ø3 [mm]
SCD300047	CONDENSATE DRAIN PIPETTE KIT Ø19 PIPE CONNECTION Ø16 (5 PCS. PACK)	43,4	28,5	45	19	16
SCD300048	CONDENSATE DRAIN PIPETTE KIT Ø19 PIPE CONNECTION Ø20 (5 PCS. PACK)	50,2	31,7	45	19	20
SCD300059	CONDENSATE DRAIN PIPETTE KIT Ø32 PIPE CONNECTION Ø16 (5 PCS. PACK)	43,4	28,5	45	32	16
SCD300060	CONDENSATE DRAIN PIPETTE KIT Ø32 PIPE CONNECTION Ø20 (5 PCS. PACK)	50,2	31,7	45	32	20

 CONDENSATE DRAIN PIPETTE WITH THREADED COLLAR CONNECTION Ø32 DRAIN Ø16 - Ø20 - Ø25

 PIPETTE D'ÉVACUATION DES CONDENSATS AVEC RACCORD DE FIXATION À BAGUE FILETÉE Ø32 VIDANGE Ø16 - Ø20 - Ø25

 KONDENSATABLEITUNGSROHR MIT GEWINDERINGBEFESTIGUNG Ø32 ANSCHLUSS Ø16 - Ø20 - Ø25 ABLAUF



  MADE IN ITALY



DOWNLOAD DATASHEET

AVAILABLE FROM MAY 2023

CODE	DESCRIPTION	A [mm]	B [mm]	Ø1 [mm]	Ø2 [mm]	Ø3 [mm]
SCD300040	CONDENSATE DRAIN PIPETTE WITH THREADED COLLAR CONNECTION Ø32 PIPE CONNECTION Ø16 (5 PCS. PACK)	49	43,4	50	32	16
SCD300041	CONDENSATE DRAIN PIPETTE WITH THREADED COLLAR CONNECTION Ø32 PIPE CONNECTION Ø20 (5 PCS. PACK)	52,2	50,2	50	32	20
SCD300042	CONDENSATE DRAIN PIPETTE WITH THREADED COLLAR CONNECTION Ø32 PIPE CONNECTION Ø25 (5 PCS. PACK)	56	57,8	50	32	25



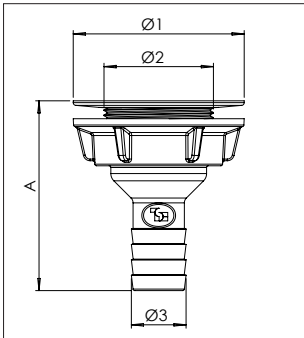
CONDENSATE DRAIN PLUG WITH
THREADED COLLAR CONNECTION
Ø32 DRAIN Ø16 - Ø20 - Ø25



PIPETTE D'ÉVACUATION DES CONDENSATS
AVEC RACCORD DE FIXATION À BAGUE
FILETÉE Ø32 VIDANGE Ø16 - Ø20 - Ø25



KONDENSATABLEITUNGSROHR MIT
GEWINDERINGBEFESTIGUNG Ø32
ANSCHLUSS Ø16 - Ø20 - Ø25 ABLAUF



AVAILABLE FROM MAY 2023



MADE IN ITALY



DOWNLOAD
DATASHEET

CODICE	DESCRIZIONE	A [mm]	Ø1 [mm]	Ø2 [mm]	Ø3 [mm]
SCD300037	CONDENSATE DRAIN PLUG WITH THREADED COLLAR CONNECTION Ø32 PIPE CONNECTION Ø16 (5 PCS. PACK)	55,5	50	32	16
SCD300038	CONDENSATE DRAIN PLUG WITH THREADED COLLAR CONNECTION Ø32 PIPE CONNECTION Ø20 (5 PCS. PACK)	56,5	50	32	20
SCD300039	CONDENSATE DRAIN PLUG WITH THREADED COLLAR CONNECTION Ø32 PIPE CONNECTION Ø25 (5 PCS. PACK)	57,5	50	32	25



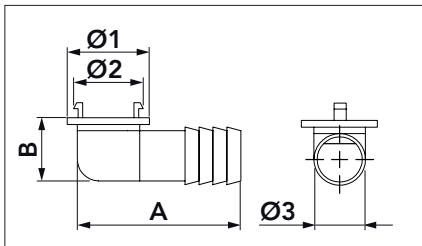
KIT CONDENSATE DRAIN
LITTLE FUNNELS WITH O-RING



KIT ENTONNOIRS PETIT D'ÉVACUATION
DES CONDENSAT AVEC JOINT TORIQUE



KLEINER KONDENSAT-ABLAUF
TRICHTERSATZ MIT O-RING



THE KIT CONSISTS OF: 1 SMALL PIPETTE, 2 CAPS AND 1 O-RING.



DOWNLOAD
DATASHEET

CODE	DESCRIPTION	A [mm]	B [mm]	Ø 1	Ø 2	Ø 3
11126362	KIT CONDENSATE DRAIN LITTLE FUNNELS WITH O-RING	44	22	28	18	16



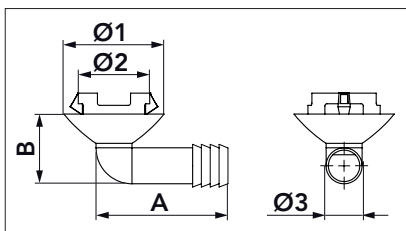
CONDENSATE DRAIN
BIG FUNNELS



ENTONNOIRS GRAND
D'ÉVACUATION DES CONDENSAT



GROSSE KONDENSAT-
ABLAUF TRICHTER



DOWNLOAD
DATASHEET

CODE	DESCRIPTION	A [mm]	B [mm]	Ø1 [mm]	Ø2 [mm]	Ø3 [mm]
11126004	CONDENSATE DRAIN BIG FUNNELS (10 pcs. pack)	43	30	45	32	16



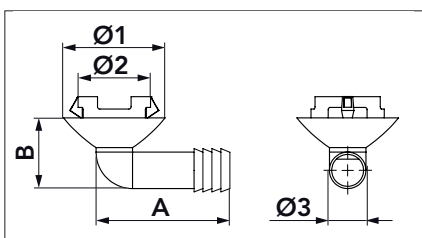
KIT CONDENSATE DRAIN
BIG FUNNELS



KIT ENTONNOIRS GRAND
D'ÉVACUATION DES CONDENSAT



GROSSE KONDENSAT-
ABLAUF TRICHTERSATZ



THE KIT CONSISTS OF: 1 LARGE PIPETTE, 2 CAPS.



DOWNLOAD
DATASHEET

CODICE	DESCRIZIONE	A [mm]	B [mm]	Ø 1	Ø 2	Ø 3
11126361	KIT CONDENSATE DRAIN BIG FUNNELS	43	30	45	32	16

🇬🇧 JOINT M/M

🇫🇷 JOINT M/M

🇩🇪 ANSCHLUSS B/B



MADE IN ITALY



DOWNLOAD DATASHEET

CODE	DESCRIPTION	Ø [mm]	SUITABLE WITH ITEMS
11126354	JOINT M/M 14 (10 pcs. pack)	14	11126316 + 11126344T
11126355	JOINT M/M 16 (10 pcs. pack)	16	11126320 + 11126326 + 11126346
11126359	JOINT M/M 20 (10 pcs. pack)	20	11126327

M.T.G.

🇬🇧 ADAPTER SLEEVE

🇫🇷 MANCHON ADAPTATEUR

🇩🇪 ADAPTERHÜLSE



MADE IN ITALY



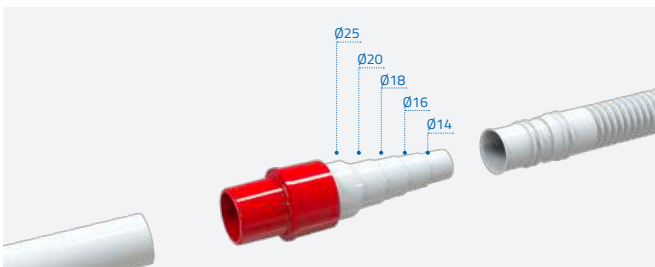
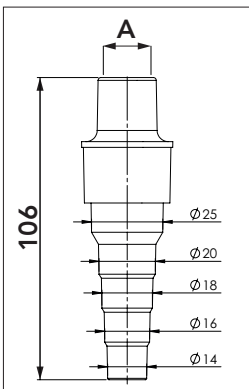
DOWNLOAD DATASHEET

CODE	DESCRIPTION
11126353	ADAPTER SLEEVE M.T.G. (10 pcs. pack)

🇬🇧 STRAIGHT FITTING FOR PIPES
Ø 16-18-20-22-25-32-40

🇫🇷 RACCORD DROIT POUR TUYAUX
Ø 16-18-20-22-25-32-40

🇩🇪 GERADE ANSCHLUSSSTÜCK FÜR ROHRE Ø 16-18-20-22-25-32-40



MADE IN ITALY



DOWNLOAD DATASHEET

CODE	DESCRIPTION	COLOUR	A INT. [mm]
SCD300008	STRAIGHT FITTING FOR PIPES Ø16 (5 pcs. pack)	YELLOW	Ø16
SCD300009	STRAIGHT FITTING FOR PIPES Ø18 (5 pcs. pack)	RED	Ø18
SCD300010	STRAIGHT FITTING FOR PIPES Ø20 (5 pcs. pack)	BLUE	Ø20/21
SCD300015	STRAIGHT FITTING FOR PIPES Ø22 (5 pcs. pack)	ORANGE	Ø22
SCD300011	STRAIGHT FITTING FOR PIPES Ø25 (5 pcs. pack)	GREEN	Ø25
SCD300012	STRAIGHT FITTING FOR PIPES Ø32 (5 pcs. pack)	GREY	Ø32
SCD300013	STRAIGHT FITTING FOR PIPES Ø40(5 pcs. pack)	LIGHT BLUE	Ø40

TCR-21 / TCR-25 / TCR-32



STIFF CONDENSATE
DRAIN PIPE



TUYAU DE DRAINAGE DES
CONDENSAT RIGIDE



STARRE
KONDENSATROHR

TECHNICAL SPECIFICATIONS

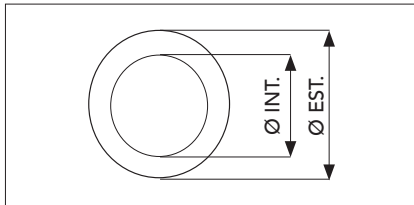
- SHOCKPROOF AND ANTI-UVA PVC
- ANTI-CONDENSATION
- THICKNESS 2 mm
- ACCESSORIES WITH INTERNAL O-RINGS

CARACTÉRISTIQUES TECHNIQUES

- PVC ANTICHOC ET ANTI-UVA
- ANTI-CONDENSATION
- ÉPAISSEUR 2 mm
- ACCESSOIRES AVEC JOINTS TORIQUES INTERNES

TECHNISCHE EIGENSCHAFTEN

- STOSSFESTES UND UVA-GESCHÜTZTES-PVC
- KONDENSATION-SCHUTZ
- STÄRKE 2 mm
- ZUBEHÖR MIT INTERNEN O-RINGEN



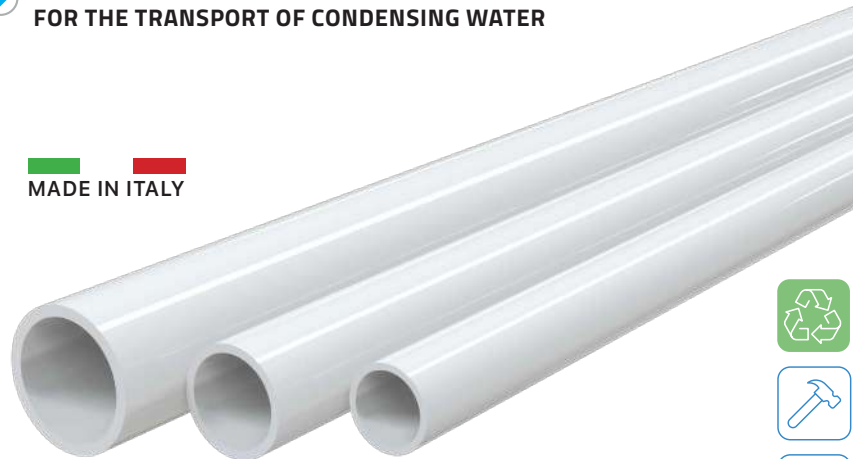
ANTI-CONDENSATION

AVAILABLE IN 2 M BARS



✓ **RECOMMENDED FOR AIR CONDITIONERS AND CONDENSING BOILERS FOR THE TRANSPORT OF CONDENSING WATER**

MADE IN ITALY



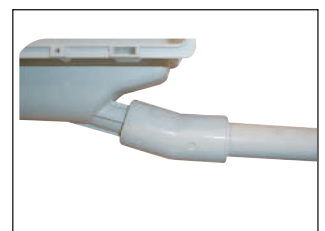
TCR-32 TCR-25 TCR-21



ATTENTION!
Always deburr the rigid pipe to facilitate insertion of the accessory.



DOWNLOAD
DATASHEET



CODE	DESCRIPTION	Ø INT. [mm]	Ø EST. [mm]
11126324	STIFF CONDENSATE DRAIN PIPE TCR-21 WHITE (25 pcs. pack)	17	21
SCD300033	STIFF CONDENSATE DRAIN PIPE TCR-25 WHITE (20 pcs. pack)	21	25
SCD300034	STIFF CONDENSATE DRAIN PIPE TCR-32 WHITE (12 pcs. pack)	28	32



GLUE FOR RIGID
CONDENSATE DRAIN PIPE



COLLE POUR TUYAU DE VIDANGE
DES CONDENSATS RIGIDE



KLEBSTOFF FÜR STARRE
KONDENSATROHR

CONTENTS 125 gr.

CODE	DESCRIPTION
11126315	GLUE FOR RIGID CONDENSATE DRAIN PIPE



DOWNLOAD
DATASHEET

ACCESSORIES

FOR STIFF CONDENSATE DRAIN PIPE

ACCESSOIRES

POUR TUYAU DE DRAINAGE DES CONDENSAT RIGIDE

ZUBEHÖR

FÜR STARRE KONDENSATABLEITUNG



MADE IN ITALY

MG

JOINT SLEEVE

MANCHON DE JONCTION

ANSCHLUSS-MUFFE



DOWNLOAD DATASHEET

MADE IN ITALY

CODE	DESCRIPTION
11126313	JOINT SLEEVE MG - TCR-21 WHITE (20 pcs. pack)
SCD300017	JOINT SLEEVE MG - TCR-25 WHITE (20 pcs. pack)
11126393	JOINT SLEEVE MG - TCR-32 WHITE (20 pcs. pack)

CA 45°

CORNER CURVE

COURBE D'ANGLE

WINKELKURVE



DOWNLOAD DATASHEET

MADE IN ITALY

CODE	DESCRIPTION
11126310	CORNER CURVE CA 45° - TCR-21 WHITE (20 pcs. pack)
SCD300018	CORNER CURVE CA 45° - TCR-25 WHITE (20 pcs. pack)
11126391	CORNER CURVE CA 45° - TCR-32 WHITE (20 pcs. pack)

CA 90°

CORNER CURVE

COURBE D'ANGLE

WINKELKURVE



DOWNLOAD DATASHEET

MADE IN ITALY

CODE	DESCRIPTION
11126311	CORNER CURVE CA 90° - TCR-21 WHITE (20 pcs. pack)
SCD300019	CORNER CURVE CA 90° - TCR-25 WHITE (20 pcs. pack)
11126392	CORNER CURVE CA 90° - TCR-32 WHITE (20 pcs. pack)

DT

SHUNT

DÉRIVATION

ABZWEIGUNG



DOWNLOAD DATASHEET

MADE IN ITALY

CODE	DESCRIPTION
11126312	"T" SHUNT - TCR-21 WHITE (20 pcs. pack)
SCD300020	"T" SHUNT - TCR-25 WHITE (20 pcs. pack)
11126394	"T" SHUNT - TCR-32 WHITE (20 pcs. pack)

CF

FIXING CLIPS

CLIPS DE FIXATION

BEFESTIGUNGS-CLIPS



DOWNLOAD DATASHEET

MADE IN ITALY

CODE	DESCRIPTION
11126317	FIXING CLIPS FOR TCR-21 WHITE (100 pcs. pack)
SCD300021	FIXING CLIPS FOR TCR-25 WHITE (20 pcs. pack)
11126396	FIXING CLIPS FOR TCR-32 WHITE (100 pcs. pack)

MP

SLEEVE PREPARATION

MANCHON PRÉDISPOSITION

VORBEREITUNGSMUFFE



DOWNLOAD DATASHEET

CODE	DESCRIPTION
11126314	SLEEVE PREPARATION MP - TCR-21 WHITE (20 pcs. pack)

RD

REDUCTION

RÉDUCTION

REDUKTIONSTÜCK



DOWNLOAD DATASHEET

CODE	DESCRIPTION
11126395	REDUCTION TCR-32/TCR-21 WHITE (20 pcs. pack)
SCD300022	REDUCTION TCR-32/TCR-25 WHITE (20 pcs. pack)
SCD300023	REDUCTION TCR-25/TCR-21 WHITE (20 pcs. pack)

TCR-21 ECO



STIFF CONDENSATE DRAIN PIPE

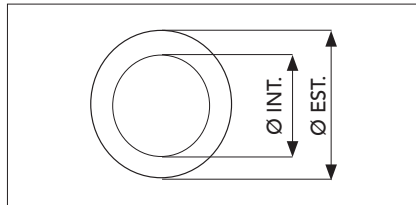
TUYAU DE DRAINAGE DES CONDENSAT RIGIDE

STARRE KONDENSATROHR

- TECHNICAL SPECIFICATIONS**
- SHOCKPROOF AND ANTI-UVA PVC
 - ANTI-CONDENSATION
 - THICKNESS 2 mm
 - ACCESSORIES WITH INTERNAL O-RINGS

- CARACTÉRISTIQUES TECHNIQUES**
- PVC ANTICHOC ET ANTI-UVA
 - ANTI-CONDENSATION
 - ÉPAISSEUR 2 mm
 - ACCESSOIRES AVEC JOINTS TORIQUES INTERNES

- TECHNISCHE EIGENSCHAFTEN**
- STOSSFESTES UND UVA-GESCHÜTZTES-PVC
 - KONDENSATION-SCHUTZ
 - STÄRKE 2 mm
 - ZUBEHÖR MIT INTERNEN O-RINGEN



ANTI-CONDENSATION

AVAILABLE IN 2 M BARS

RECOMMENDED FOR AIR CONDITIONERS AND CONDENSING BOILERS FOR THE TRANSPORT OF CONDENSING WATER



TCR-21



ATTENTION!
Always deburr the rigid pipe to facilitate insertion of the accessory.



DOWNLOAD DATASHEET

CODE	DESCRIPTION	Ø INT. [mm]	Ø EST. [mm]
SCD3E001	STIFF CONDENSATE DRAIN PIPE TCR-21 ECO BLACK (25 pcs. pack)	17	21

GLUE FOR RIGID CONDENSATE DRAIN PIPE

COLLE POUR TUYAU DE VIDANGE DES CONDENSATS RIGIDE

KLEBSTOFF FÜR STARRE KONDENSATROHR

CONTENTS 125 gr.

CODE	DESCRIPTION
11126315	GLUE FOR RIGID CONDENSATE DRAIN PIPE



DOWNLOAD DATASHEET



ACCESSORIES FOR RIGID CONDENSATE DRAIN PIPE



THE ACCESSORIES FOR THE RIGID CONDENSATE DRAIN PIPES ARE MADE OF WHITE SHOCKPROOF, SELF-EXTINGUISHING AND UVA-RAY STABILISED PVC. THEY ARE EQUIPPED WITH AN INNOVATIVE CONICAL JOINT SYSTEM IN COMBINATION WITH THE GASKET, WHICH GUARANTEES THE PERFECT SEAL BETWEEN THE PIPE AND THE ACCESSORY AND SPEEDS UP INSTALLATION.

ITS REMARKABLE ROBUSTNESS AND HIGH INSULATING CAPACITIES ALSO MAKE IT PARTICULARLY SUITABLE FOR CONCEALED INSTALLATIONS. AVAILABLE IN A MINIMUM PACK OF 20 PCS.

MG

MADE IN ITALY



new

JOINT SLEEVE

MANCHON DE JONCTION

ANSCHLUSSMUFFE



DOWNLOAD DATASHEET

CODE	DESCRIPTION
SCD3E0002	JOINT SLEEVE MG - TCR-21 BLACK (20 pcs. pack)

CA 45°

MADE IN ITALY



new

CORNER CURVE

COURBE D'ANGLE

WINKELKURVE



DOWNLOAD DATASHEET

CODE	DESCRIPTION
SCD3E0003	CORNER CURVE CA 45° - TCR-21 BLACK (20 pcs. pack)

CA 90°

MADE IN ITALY



new

CORNER CURVE

COURBE D'ANGLE

WINKELKURVE



DOWNLOAD DATASHEET

CODE	DESCRIPTION
SCD3E0004	CORNER CURVE CA 90° - TCR-21 BLACK (20 pcs. pack)

DT

MADE IN ITALY



new

SHUNT

DÉRIVATION

ABZWEIGUNG



DOWNLOAD DATASHEET

CODE	DESCRIPTION
SCD3E0005	"T" SHUNT - TCR-21 BLACK (20 pcs. pack)

CF

MADE IN ITALY



new

FIXING CLIPS

CLIPS DE FIXATION

BEFESTIGUNGSCLIPS



DOWNLOAD DATASHEET

CODE	DESCRIPTION
SCD3E0006	FIXING CLIPS FOR TCR-21 BLACK (20 pcs. pack)

REGIO



**DRY SIPHON ANTI-ODOUR
TRANSPARENT AND
REMOVABLE WITH
AESTHETIC LID**



**SIPHON À SEC ANTI-
ODEUR TRANSPARENT
ET AMOVIBLE AVEC
COUVERCLE ESTHÉTIQUE**



**TROCKENSIPHON GERUCHS-
HEMMEND TRANSPARENT
UND ABNEHMBAR MIT ÄSTHE-
TISCHEM DECKEL**

TECHNICAL SPECIFICATIONS

- ELIMINATES ISSUES OF BAD ODOURS.
- FOR WALL OR VERTICAL SUB-TRACK INSTALLATION.
- TRANSPARENT AND REMOVABLE INTERNAL SHELL FOR INSPECTION AND MAINTENANCE
- BUILDING SITE COVER FOR PLASTER PROTECTION
- REMOVABLE COSMETIC COVER FOR ACCESS TO SIPHON BODY.
- EXTERNAL RIDGE FOR INSTALLATION FLUSH WITH UNFINISHED WALL
- COVER DESIGNED FOR FASTENING WITH SCREWS.
- PIPE INLET DIMENSIONS: FROM Ø 16 TO Ø 40.
- BUILT-IN SPIRIT LEVEL
- PIPE OUTLET COUPLING FOR CODES: 11126345 - 11126346 - 11126327 - 11126324 - 11126346T (WITH GASKET).
- PIPES Ø 40 - 36 - 32 - 28 WITH THE "MTG" ADAPTER SLEEVE ACCESSORY CAN BE CONNECTED (11126353).
- WITH MG - TCR - 21 JOINT SLEEVE ACCESSORY (COD. 11126313) IT IS POSSIBLE TO CONNECT A TCR-21 STIFF CONDENSATE PIPE (COD. 11126324).

CARACTÉRISTIQUES TECHNIQUES

- ÉLIMINE LE PROBLÈME DES MAUVAISES ODEURS.
- À INSTALLER VERTICALEMENT AU MUR OU À ENCASTRER.
- CORPS DE SIPHON TRANSPARENT POUR L'INSPECTION ET AMOVIBLE POUR L'ENTRETIEN.
- COUVERCLE DE CHANTIER POUR LA PROTECTION CONTRE LE PLÂTRE.
- COUVERCLE ESTHÉTIQUE AMOVIBLE POUR L'ACCÈS AU CORPS DU SIPHON.
- BUTÉE EXTERNE POUR L'INSTALLATION AFFLEURANT LE MUR RUGUEUX.
- COUVERCLE CONÇU POUR ÊTRE FIXÉ AVEC DES VIS.
- DIMENSIONS D'ENTRÉE DE TUYAU : DE Ø 16 À Ø 40.
- BULLE INTÉGRÉE
- RACCORD DE SORTIE DE TUYAU POUR LES CODES : 11126345 - 11126346 - 11126327 - 11126324 - 11126346T (AVEC JOINT).
- IL EST POSSIBLE DE RACCORDER LES TUYAUX Ø 40 - 36 - 32 - 28 AVEC L'ACCESSOIRE DE MANCHON ADAPTATEUR « MTG » (11126353).
- AVEC L'ACCESSOIRE DE MANCHON ARTICULÉ MG - TCR - 21 (CODE 11126313) IL EST POSSIBLE DE RACCORDER LE TUYAU DE CONDENSAT RIGIDE TCR-21 (CODE 11126324).

TECHNISCHE EIGENSCHAFTEN

- BESEITIGT DAS PROBLEM VON SCHLECHTEN GERÜCHEN.
- VERTIKAL AN DER WAND ODER UNTER PUTZ ZU MONTIEREN.
- TRANSPARENTES SIPHONGEHÄUSE ZUR INSPEKTION UND ABNEHMBAR ZUR WARTUNG.
- BAUSTELLENABDECKUNG ZUM SCHUTZ VOR PUTZ.
- HERAUSZIEHBARE ÄSTHETISCHE ABDECKUNG FÜR DEN ZUGANG ZUM SIPHONKÖRPER.
- EXTERNER ANSCHLAG FÜR DIE BÜNDIGE MONTAGE AN DER UNBEARBEITETEN WAND
- ABDECKUNG, VORBEREITET ZUR BEFESTIGUNG MIT SCHRAUBEN.
- ROHREINLASSABMESSUNGEN: VON Ø 16 BIS Ø 40.
- EINGEBAUTE WASSERWAAGE
- ROHRAUSLASSANSCHLUSS FÜR DIE CODES: 11126345 - 11126346 - 11126327 - 11126324 - 11126346T (MIT DICHTUNG).
- DIE ROHRE Ø 40 - 36 - 32 - 28 KÖNNEN MIT DEM ZUBEHÖR "MTG"-ADAPTERMUFFE (11126353) ANGESCHLOSSEN WERDEN.
- MIT DER ALS ZUBEHÖR ERHÄLTlichen VERBINDUNGSMUFFE MG - TCR - 21 (COD. 11126313) KANN DER STARRE KONDENSATSCHLAUCH TCR-21 ANGESCHLOSSEN WERDEN (COD. 11126324).



MADE IN ITALY

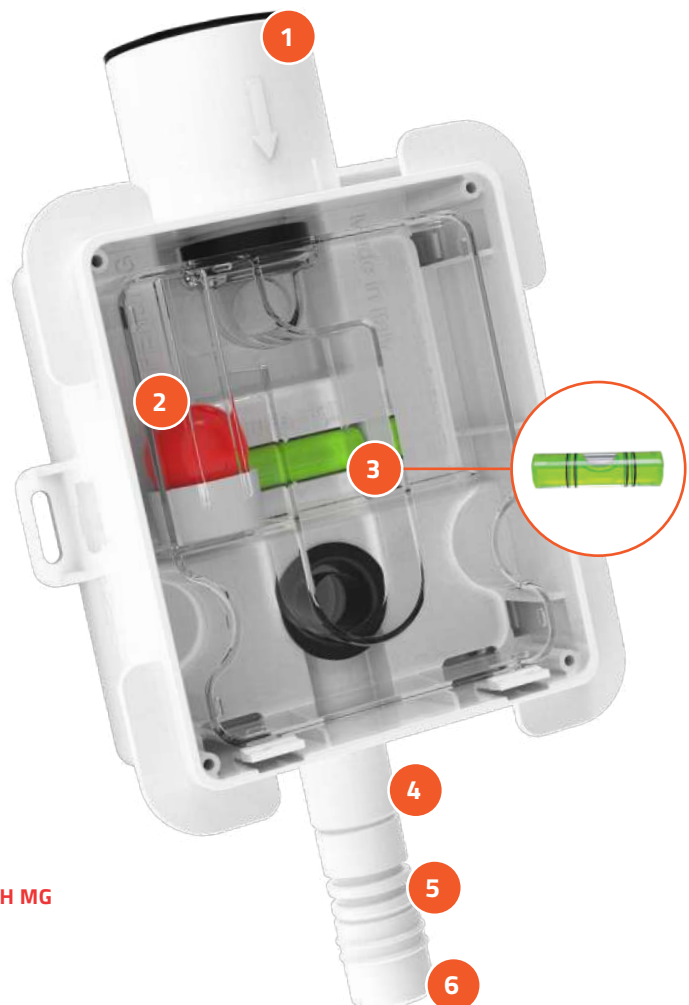


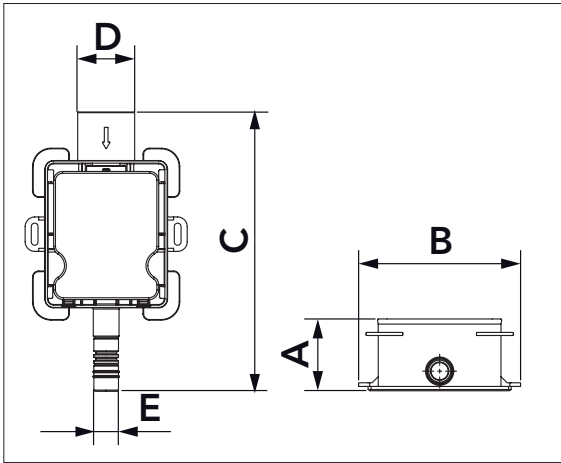
YouTube



VIDEO

- 1 - FOR PIPES FROM Ø 16 UP TO Ø 40
- 2 - WITH ANTI-ODOUR BALL
- 3 - BUILT-IN SPIRIT LEVEL
- 4 - FOR TCR 21 COD. 11126324 CONDENSATION DRAIN PIPE WITH MG JOINT SLEEVE - TCR 21 COD. 11126313
- 5 - FOR 18/20 PIPE WITH O-RING COD. 11126346T
- 6 - FOR 18/20 PIPE COD. 11126345 - 11126346



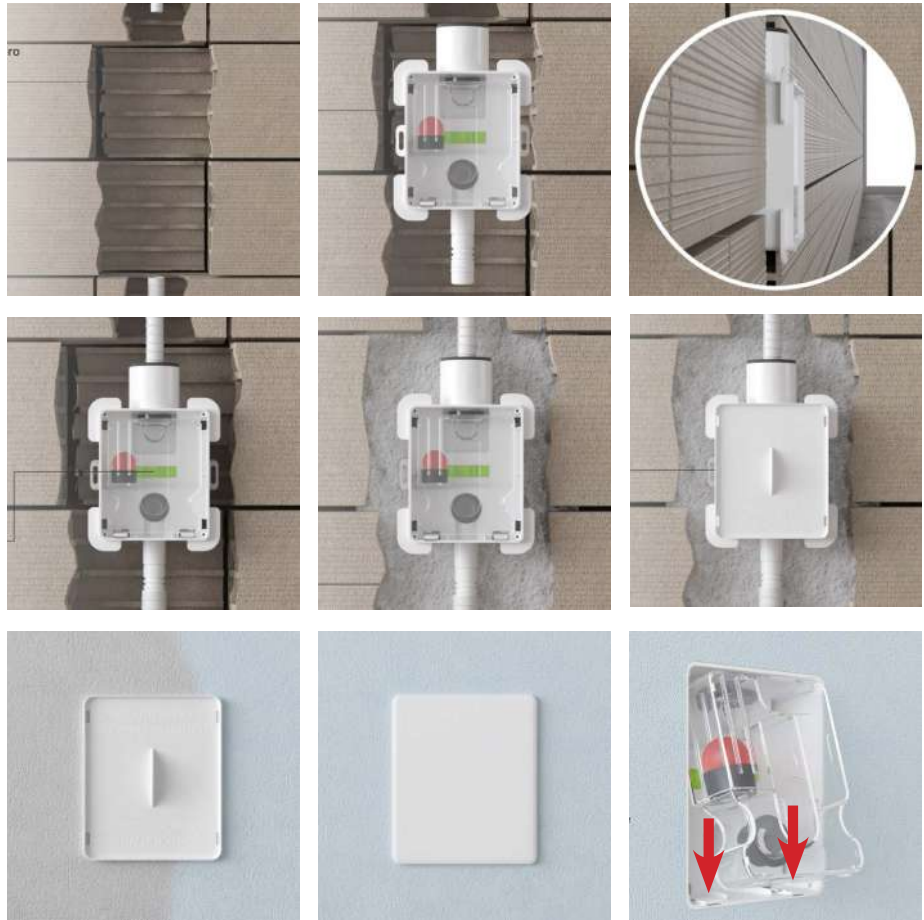


AVAILABLE IN DISPENSER OF 8 PCS

DIMENSIONS [mm]				
A	B	C	D	E
55	120	230	46,5	21

INSTALLATION

1. Make a wall niche to install the siphon and the condensate
2. Put the siphon into the wall niche
3. Lay the outside edges on the bricks taking into account the thickness of the plaster
4. Connect the pipes. Check horizontal level
5. Plaster the wall niche
6. Protect the siphon by applying the protection cover
7. Apply the mortar, apply the plaster and pain the wall
8. Insert the aesthetic cover
9. Press the tabs downwards and remove the siphon. Tilt the siphon, insert it into the niche and press it till the tabs go up.



DOWNLOAD
DATASHEET



We are studying new materials to be increasingly sustainable.

The use and research of sustainable materials and resources has become a habit that we try to apply wherever possible: this is why we thought that both the building site cap and the aesthetic cap of the Regio siphon could be made of Bio-durable and therefore sustainable and easily recyclable material.

CODICE	DESCRIZIONE
11126322B	"REGIO" DRY SIPHON ANTI-ODOUR TRANSPARENT AND REMOVABLE WITH AESTHETIC LID
SCD3E0008	AESTHETIC LID FOR "REGIO" DRY SIPHON ANTI-ODOUR - ECO

new

SIPHON STOP 21 / 25 / 32 / 40 / 50



DRY HORIZONTAL ANTI-
ODOUR TRANSPARENT
INSPECTABLE SIPHON
Ø 21/25/32/40/50



SIPHON À SEC HORIZONTAL
ANTI-ODEURS TRANSPARENT
POUVANT ÊTRE INSPECTÉ
Ø 21/25/32/40/50



TROCKENSIPHON HORIZONTAL
GERUCHSHEMMEND
TRANSPARENT INSPIZIERBAR
Ø 21/25/32/40/50

TECHNICAL SPECIFICATIONS

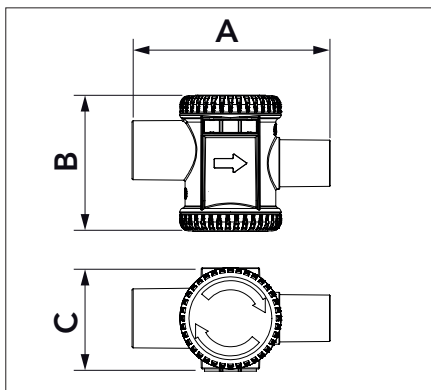
- BODY MADE OF HIGH-STRENGTH TRANSPARENT PLASTIC.
- STOPPERS MADE OF POLYETHYLENE WITH O-RING SEALS.
- ELIMINATES ISSUES OF BAD ODOURS.
- SUITABLE FOR HORIZONTAL WALL OR FALSE CEILING INSTALLATIONS.
- DOUBLE INSPECTION FOR ON-SITE CLEANING.
- SPIRIT LEVEL SUPPLIED.
- AVAILABLE FOR PIPES WITH DIAMETERS Ø 21 - 25 - 32 - 40 - 50

CARACTÉRISTIQUES TECHNIQUES

- CORPS EN MATIÈRE PLASTIQUE TRANSPARENTE À HAUTE RÉSISTANCE.
- BOUCHONS EN POLYÉTHYLÈNE AVEC JOINTS TORIQUES D'ÉTANCHÉITÉ.
- ÉLIMINE LE PROBLÈME DES MAUVAISES ODEURS.
- CONVIENT POUR LES INSTALLATIONS SUR DES MURS HORIZONTAUX OU DE FAUX-PLAFONDS.
- DOUBLE INSPECTION POUR LE NETTOYAGE SUR PLACE.
- BULLE DE NIVELLEMENT FOURNIE.
- DISPONIBLE POUR LES TUYAUX DE DIAMÈTRE Ø 21 - 25 - 32 - 40 - 50

TECHNISCHE EIGENSCHAFTEN

- GEHÄUSE AUS HOCHFESTEM, TRANSPARENTEM KUNSTSTOFF.
- STOPFEN AUS POLYETHYLEN MIT DICHTUNGS-O-RINGEN.
- BESEITIGT DAS PROBLEM VON SCHLECHTEN GERÜCHEN.
- GEEIGNET FÜR HORIZONTALE WAND- ODER ZWISCHENDECKENMONTAGE.
- DOPPELINSPEKTION ZUR VOR-ORT-REINIGUNG.
- WASSERWAAGE ZUR NIVELLIERUNG IM LIEFERUMFANG ENTHALTEN.
- VERFÜGBAR FÜR ROHRE MIT DURCHMESSER Ø 21 - 25 - 32 - 40 - 50



siphon
Stop

MADE IN ITALY



SPIRIT LEVEL
SUPPLIED



UPPER INSPECTABLE CAP

SEALING GASKET

INLET

OUTLET

BODY MADE OF HIGH-STRENGTH
TRANSPARENT PLASTIC

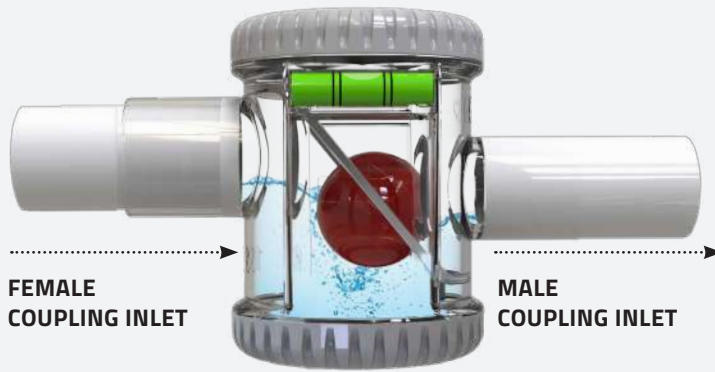
ANTI-ODOUR BALL

SEALING GASKET

PATENTED MODEL

INSPECTABLE UPPER CAP

EXAMPLE: FEMALE COUPLING - MALE OUTLET FOR PIPES Ø 21-25-32



RANGE

Pipes Ø21



Pipes Ø25



Pipes Ø 32



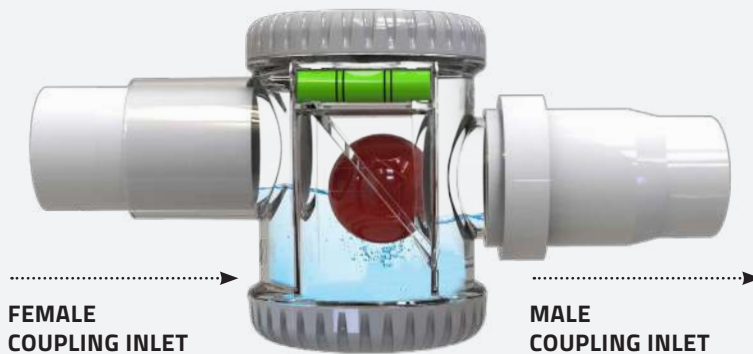
Pipes Ø 40



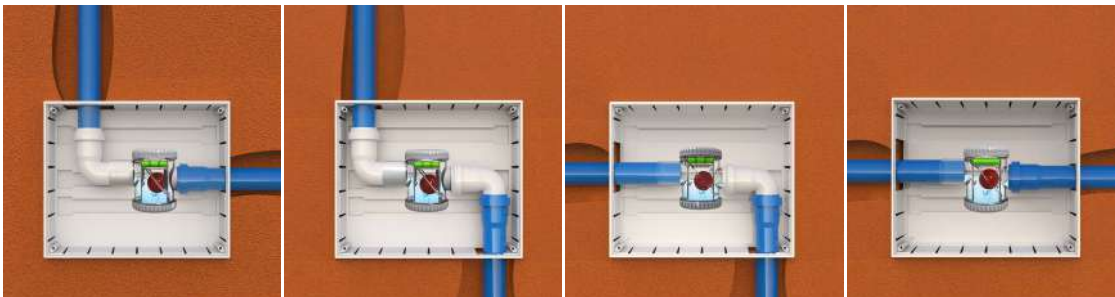
Pipes Ø 50



EXAMPLE: FEMALE COUPLING - MALE CUP OUTLET WITH GASKETS FOR PIPES Ø 40-50



INSTALLATION EXAMPLES



DOWNLOAD DATASHEET

ATTENTION: THE RECESSED BOX IS NOT INCLUDED IN THE PRICE OF THE SIPHON.

CODE	DESCRIPTION	DIMENSIONS [mm]			PIPE CONNECTION
		A	B	C	
SCD300004	SIPHON STOP 21 - DRY HORIZONTAL ANTI-ODOUR TRANSPARENT INSPECTABLE SIPHON Ø 21	124	105	78	Ø21
SCD300005	SIPHON STOP 25 - DRY HORIZONTAL ANTI-ODOUR TRANSPARENT INSPECTABLE SIPHON Ø 25	133	105	78	Ø25
SCD300006	SIPHON STOP 32 - DRY HORIZONTAL ANTI-ODOUR TRANSPARENT INSPECTABLE SIPHON Ø 32	143	105	78	Ø32
SCD300007	SIPHON STOP 40 - DRY HORIZONTAL ANTI-ODOUR TRANSPARENT INSPECTABLE SIPHON Ø 40	153	105	78	Ø40
SCD300014	SIPHON STOP 50 - DRY HORIZONTAL ANTI-ODOUR TRANSPARENT INSPECTABLE SIPHON Ø 50	163	105	78	Ø50

TCR-21



ANTI-ODOUR SIPHON FOR RIGID CONDENSATE DRAIN PIPE



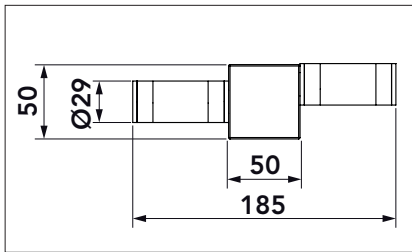
SIPHON ANTI-ODEURS POUR TUYAU DE DRAINAGE DU CONDENSAT RIGIDE



GERUCHSHEMMENDER SIPHON FÜR STARRE KONDENSATABLEITUNG



MADE IN ITALY



DOWNLOAD DATASHEET

IDEAL IN COMBINATION WITH SPLIT INSTALLATION BOXES

CODE	DESCRIPTION
11126322	ANTI-ODOUR SIPHON FOR RIGID CONDENSATE DRAIN PIPE TCR-21 (10 pcs. pack)



ODOUR-PROOF SIPHON FOR FLEXIBLE CONDENSATE DRAIN PIPE Ø 16/18/20/25



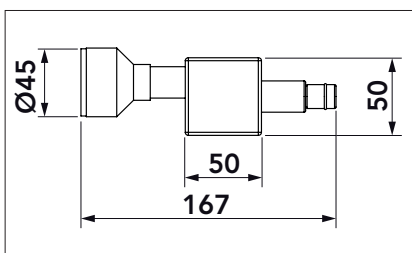
SIPHON ANTI-ODEURS POUR TUYAU DE DRAINAGE DE CONDENSAT FLEXIBLE Ø 16/18/20/25



ANTI-GERUCHS-SIPHON FÜR FLEXIBLE KONDENSATROHR Ø 16/18/20/25



MADE IN ITALY



DOWNLOAD DATASHEET

IDEAL IN COMBINATION WITH SPLIT INSTALLATION BOXES

CODE	DESCRIPTION
11126321	ODOUR-PROOF SIPHON FOR FLEXIBLE CONDENSATE DRAIN PIPE Ø16/18/20/25 (10 pcs. pack)



ODOUR-PROOF SIPHON
FOR CONDENSATE
DRAIN PIPE



SIPHON ANTI-ODEURS
POUR TUYAU DE DRAINAGE
DE CONDENSAT



ANTI-GERUCHS-SIPHON
FÜR KONDENSATROHR



DIMENSIONS:
L 157 x D 60 x H 65 mm



**IDEAL FOR CONDENSATE DRAIN
PIPES Ø 32 AND Ø 40 FOR VRV-VRF**



DOWNLOAD
DATASHEET

CODE	DESCRIPTION
11126008	ODOUR-PROOF SIPHON FOR CONDENSATE DRAIN PIPE Ø 32
SCC300001	ODOUR-PROOF SIPHON FOR CONDENSATE DRAIN PIPE Ø 40



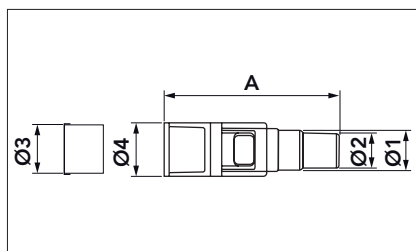
OUTDOOR ANTI INSECT
SIPHON FOR PIPE
Ø 16/18/20



SIPHON EXTÉRIEUR
ANTI INSECTES POUR
TUYAU Ø 16/18/20



AUSSEN-INSEKTENFALLE-
SYPHON FÜR ROHR
Ø 16/18/20



DOWNLOAD
DATASHEET



CODE	DESCRIPTION	A	Ø 1	Ø 2	Ø 3	Ø 4
11126318	OUTDOOR ANTI INSECT SIPHON FOR PIPE Ø16/18/20	72	28	16	18	21



OUTDOOR
ANTI-COCKROACH TERMINAL
FOR PIPE Ø 16/18



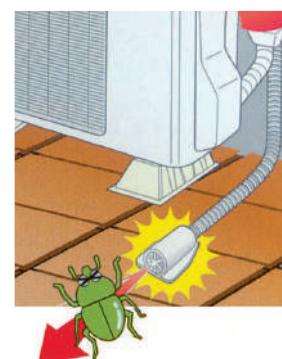
EXTRÉMITÉ
ANTI-INSECTES EXTÉRIEURE
POUR TUYAU Ø 16/18



ANTI-KÄFER-
AUSSENKLEMME
FÜR ROHR Ø 16/18



DOWNLOAD
DATASHEET



CODE	DESCRIPTION
11126309	OUTDOOR ANTI-COCKROACH TERMINAL FOR PIPETERMINALE

CONDENSATE DRAIN PANS

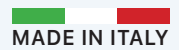


guaranteed up to -40°C

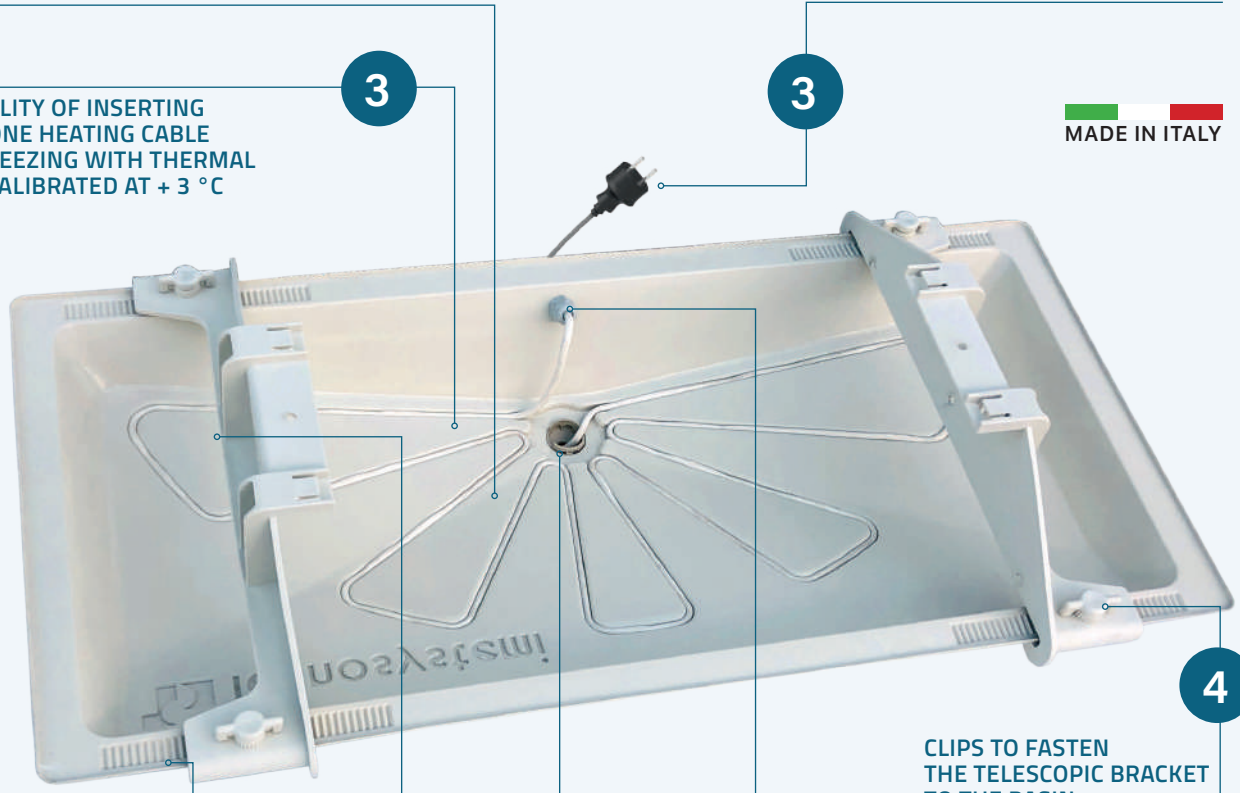
SLOPED SURFACE FOR CONDENSATE WATER DRAINAGE

THERMAL SENSOR INCORPORATED IN THE HEATING CABLE CALIBRATED AT $+3^{\circ}\text{C}$

POSSIBILITY OF INSERTING A SILICONE HEATING CABLE ANTI FREEZING WITH THERMAL CYCLE CALIBRATED AT $+3^{\circ}\text{C}$



PATENTED



RACK TO POSITION TELESCOPIC BRACKETS

TELESCOPIC BRACKETS TO ANCHOR THE EXTERNAL UNIT

HOLE FOR FITTING CONDENSATE COLLECTION PIPETTES FOR $\varnothing 16 / 20 \text{ mm}$ TUBE

CLIPS TO FASTEN THE TELESCOPIC BRACKET TO THE BASIN

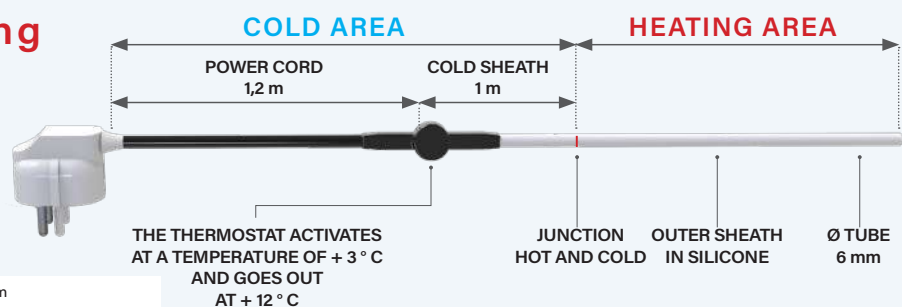
CABLE ENTRY FOR ANTI-FREEZING SILICONE CABLE HOLDER



INSULATED CONDENSATE DRAIN PIPE. SEE P. 55



cable heating



- POWER: 15 W/m
- SUPPLY VOLTAGE: 230 V

BLUE RIVER



CONDENSATE DRAIN PAN

BAC DE COLLECTE DES CONDENSATS

TECHNICAL SPECIFICATIONS

- MADE OF ABS + PMMA ADJUSTABLE FASTENING BRACKETS IN PA6
- COUPLING FOR CONDENSATE DRAIN PIPE Ø16mm

CARACTÉRISTIQUES TECHNIQUES

- FABRIQUÉ EN PLASTIQUE ABS + PMMA
- SUPPORTS DE FIXATION RÉGLABLES EN PA6
- RACCORD POUR TUYAU DE VIDANGE DE CONDENSAT Ø16mm

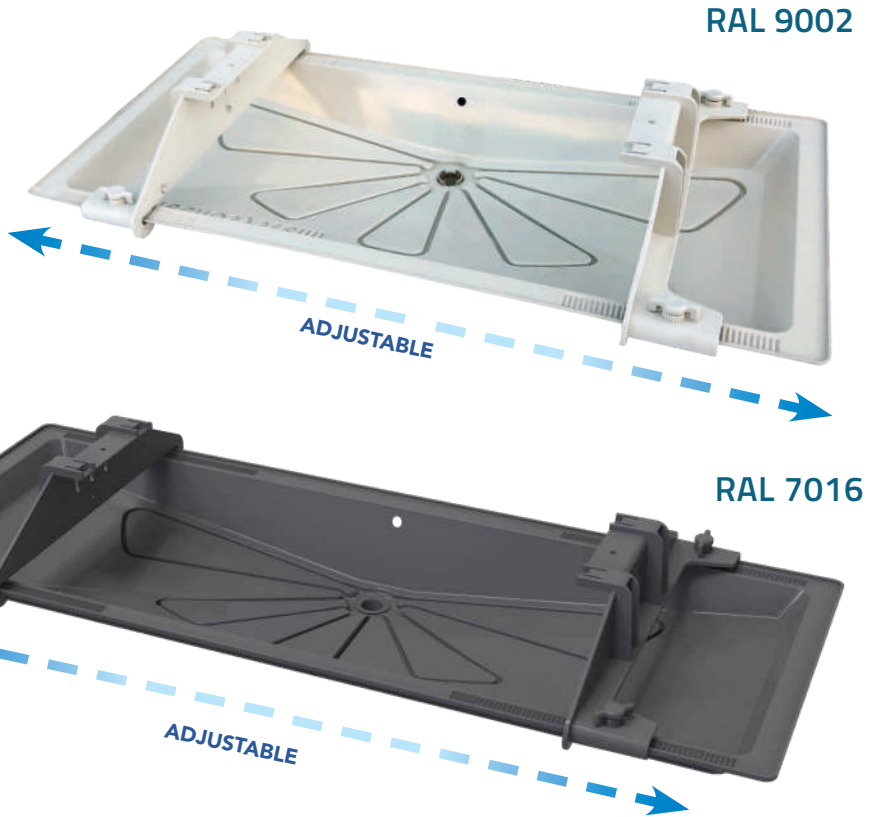
KONDENSATWANNE

TECHNISCHE EIGENSCHAFTEN

- AUS ABS + PMMA
- VERSTELLBARE BEFESTIGUNGSWANDKONSOLE IN PA6
- ANSCHLUSS FÜR KONDENSATABLAUF Ø 16 mm



MADE IN ITALY



IDEAL FOR HEAT PUMPS

TABLES FOR USING TRAYS ON BRACKETS

TRAPS/ BRACKETS	SGL 100 EVO	SGL 140 EVO	SGL 100 XXL EVO	SGL 100 ECO	SGL 140 ECO	SLG 100 XXL ECO	SL 400 - SM 400 - SD 400	SL 500 - SM 500 - SD 500	SL 560 - SM 560 - SD 400	SG 120 EVO	SG 160 EVO	TSMC 160 EVO	TSMC 180 EVO	TSMC 210 EVO	TSM 140 EVO	TSM 160 EVO	TSM 180 EVO	PALACE 70	PALACE 90	PALACE 100	PALACE 120	SKP 120 A	SGL 120 A	TSM 140 A	TSP 80	TSP 120	MR 70	MR 100
11100100F	•	•	•	•	•	•	•	•	•	•	•	•	•	•	•	•	•	•	•	•	•	•	•	•	•	•	•	•
11100101F	•	•	•	•	•	•	•	•	•	•	•	•	•	•	•	•	•	•	•	•	•	•	•	•	•	•	•	•

RAL 9002

CODE	DESCRIPTION	DIMENSIONS [mm]
11100100F	BLUE RIVER CONDENSATE DRAIN PAN 850x400	850 x 400
11100101F	BLUE RIVER CONDENSATE DRAIN PAN 1050x400	1050 x 400
SCD300030	BLUE RIVER CONDENSATE DRAIN PAN 1250x500	1250 x 500



DOWNLOAD DATASHEET

RAL 7016

CODE	DESCRIPTION	DIMENSIONS [mm]
SCD300050	BLUE RIVER CONDENSATE DRAIN PAN 850x400 RAL 7016	850 x 400
SCD300051	BLUE RIVER CONDENSATE DRAIN PAN 1050x400 RAL 7016	1050 x 400
SCD300052	BLUE RIVER CONDENSATE DRAIN PAN 1250x500 RAL 7016	1250 x 500



DOWNLOAD DATASHEET



CONDENSATE TRAP WITH HEATING CABLE

TECHNICAL SPECIFICATIONS

- MADE OF ABS + PMMA PLASTIC IVORY
- ADJUSTABLE FASTENING BRACKETS IN PA6
- **WITH HEATING CABLE DA 3 m**
- INCLUDES 15 W/m 3 m HEATING CABLE
- COUPLING FOR CONDENSATE DRAIN PIPE Ø 16
- **WITH HEATING CABLE DA 6 m**
- INCLUDES 15 W/m 3 m + 3 m (6 m) HEATING CABLE
- COUPLING FOR CONDENSATE DRAIN PIPE Ø 20
- EQUIPPED WITH A CONDENSATE DRAIN PIPE SECURING CLAMP
- WITH 3 m INSULATED CONDENSATE DRAIN PIPE

HEATING CABLE DIAMETER: Ø 6 mm

SUPPLY VOLTAGE: 230V

TOLERANCES ON RESISTANCE: -5%/+10%

RESISTANCE ACTIVATION AT + 3 °C

INCORPORATED THERMAL SENSOR



MADE IN ITALY

RAL 9002

CODE	DESCRIPTION
11100100F3	"BLUE RIVER" CONDENSATE DRAIN PAN WITH HEATING CABLE 3 m 850x400
11100100F6	"BLUE RIVER" CONDENSATE DRAIN PAN WITH HEATING CABLE 6 m 850x400
11100101F3	"BLUE RIVER" CONDENSATE DRAIN PAN WITH HEATING CABLE 3 m 1050x400
11100101F6	"BLUE RIVER" CONDENSATE DRAIN PAN WITH HEATING CABLE 6 m 1050x400
SCD300035	"BLUE RIVER" CONDENSATE DRAIN PAN WITH HEATING CABLE 3 m 1250x500
SCD300036	"BLUE RIVER" CONDENSATE DRAIN PAN WITH HEATING CABLE 6 m 1250x500

new
new

RAL 7016 **new** Available on request

CODE	DESCRIPTION
SCD300053	"BLUE RIVER" CONDENSATE DRAIN PAN WITH HEATING CABLE 3 m 850x400 RAL 7016
SCD300054	"BLUE RIVER" CONDENSATE DRAIN PAN WITH HEATING CABLE 6 m 850x400 RAL 7016
SCD300055	"BLUE RIVER" CONDENSATE DRAIN PAN WITH HEATING CABLE 3 m 1050x400 RAL 7016
SCD300056	"BLUE RIVER" CONDENSATE DRAIN PAN WITH HEATING CABLE 6 m 1050x400 RAL 7016
SCD300057	"BLUE RIVER" CONDENSATE DRAIN PAN WITH HEATING CABLE 3 m 1250x500 RAL 7016
SCD300058	"BLUE RIVER" CONDENSATE DRAIN PAN WITH HEATING CABLE 6 m 1250x500 RAL 7016



BAC DE COLLECTE DES CONDENSATS AVEC CÂBLE CHAUFFANT

CARACTÉRISTIQUES TECHNIQUES

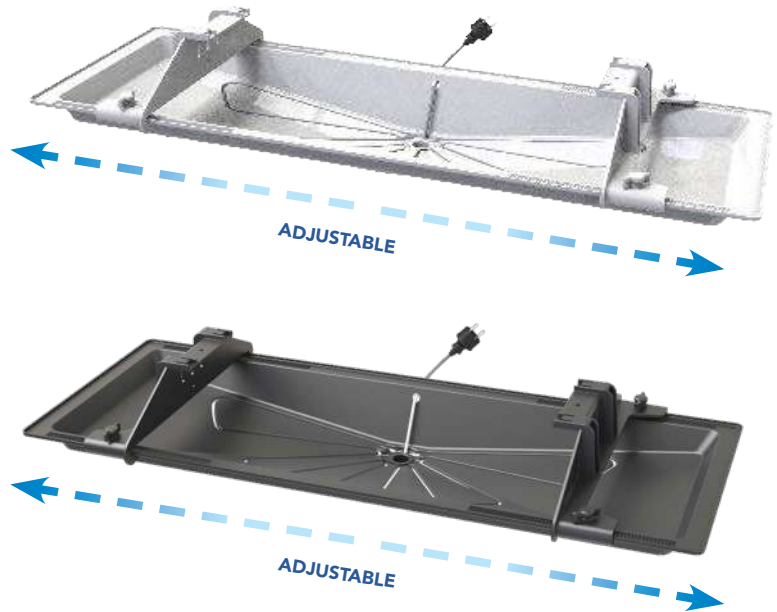
- FABRIQUÉ EN PLASTIQUE ABS + PMMA IVOIRE
- SUPPORTS DE FIXATION RÉGLABLES EN PA6
- **AVEC CÂBLE CHAUFFANT DE 3 m**
- LIVRÉ AVEC UN CÂBLE CHAUFFANT DE 15 W/m 3 m
- RACCORD POUR TUYAU DE VIDANGE CONDENSAT Ø 16 mm
- **AVEC CÂBLE CHAUFFANT 3+3 m**
- LIVRÉ AVEC UN CÂBLE CHAUFFANT 3+3 m (6m) 15W/M
- RACCORD POUR TUYAU DE VIDANGE CONDENSAT Ø20mm
- ÉQUIPÉ D'UN COLLIER DE FIXATION DE TUYAU DE VIDANGE DE CONDENSAT
- AVEC TUYAU DE VIDANGE DE CONDENSAT ISOLÉ DE 3 m



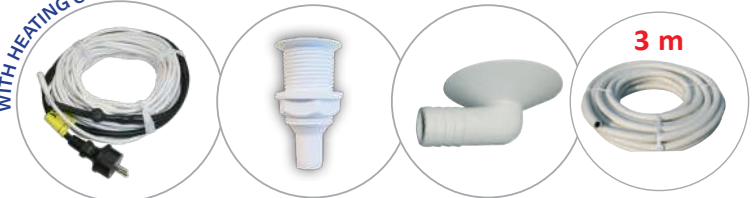
KONDENSATWANNE MIT HEIZKABEL

TECHNISCHE EIGENSCHAFTEN

- AUS ABS + PMMA KUNSTSTOFF, ELFENBEINFARBEN
- VERSTELLBARE BEFESTIGUNGSWANDKONSOLE IN PA6
- **MIT HEIZKABEL 3 m**
- KOMPLETT MIT 15 W/m 3 m HEIZKABEL
- ANSCHLUSS FÜR KONDENSATABLAUF Ø 16 mm
- **MIT HEIZKABEL 3+3 m**
- KOMPLETT MIT 3m + 3m (6m) 15W/m HEIZKABEL
- ANSCHLUSS FÜR KONDENSATABLAUF Ø 20 mm
- MIT SCHELLE ZUR BEFESTIGUNG DES KONDENSATABLAUFS
- MIT ISOLIERTEM KONDENSATABLAUFROHR 3 m



WITH HEATING CABLE



3 m



DOWNLOAD DATASHEET



DOWNLOAD DATASHEET



CONDENSATE DRAIN PAN WITH HEATING ANTIFREEZE CABLE FOR CONDENSATE DRAIN PIPES



PLATEAUX DE COLLECTE DES CONDENSATS ANTIGEL AVEC CÂBLE CHAUFFANT POUR TUYAUX DES CONDENSATS



KONDENSATWANNE MIT FROSTSCHUTZ UND HEIZKABEL FÜR KONDENSATABLAUF-FROHRE

TECHNICAL SPECIFICATIONS

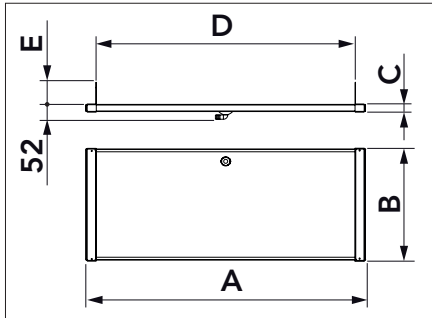
- POWER 15 W/m
- COUPLING FOR CONDENSATE DRAIN PIPE Ø 16
- POWER SUPPLY VOLTAGE 230 V
- CABLE DIAMETER Ø 6 MM
- RESISTANCE TOLERANCE FROM -5% TO +10%
- BUILT-IN THERMOSTAT
- CONNECTION AT +3°C AND DISCONNECTION AT +12°C

CARACTÉRISTIQUES TECHNIQUES

- PUISSANCE 15 W/m
- RACCORD POUR TUYAU DE VIDANGE DE CONDENSAT Ø 16 mm
- TENSION D'ALIMENTATION 230 V
- DIAMÈTRE DU CÂBLE DE 6 MM
- TOLÉRANCE DE RÉSISTANCE DE -5% À +10%
- THERMOSTAT INTÉGRÉ
- INSERTION À +3°C ET DÉCONNEXION À +12°C

TECHNISCHE EIGENSCHAFTEN

- LEISTUNG 15 W/m
- ANSCHLUSS FÜR KONDENSATABLAUF Ø 16 mm
- NETZSPANNUNG 230 V
- Ø 6 mm KABELDURCHMESSER
- WIDERSTANDSTOLERANZ VON -5 % BIS +10 %
- EINGEBAUTER THERMOSTAT
- EINSETZEN BEI +3°C UND TRENNEN BEI +12°C



MADE IN ITALY



DOWNLOAD DATASHEET

CODE	DESCRIPTION	DIMENSIONS				
		A [mm]	B [mm]	C [mm]	D [mm]	E [mm]
11100100EU	CONDENSATE DRAIN PAN WITH HEATING ANTIFREEZE CABLE FOR CONDENSATE DRAIN PIPES "BIG"	980	390	35	910 max.	80
11100101EU	CONDENSATE DRAIN PAN WITH HEATING ANTIFREEZE CABLE FOR CONDENSATE DRAIN PIPES "MAXI"	1100	550	35	1030 max.	130

"INDUSTRY"



CONDENSATE DRAIN PAN



BAC



KONDENSATWANNE

TECHNICAL SPECIFICATIONS

- ELECTROGALVANISED SHEET
- EXTERIOR POLYESTER PAINTING
- COUPLING FOR CONDENSATE DRAIN PIPE Ø 16 mm

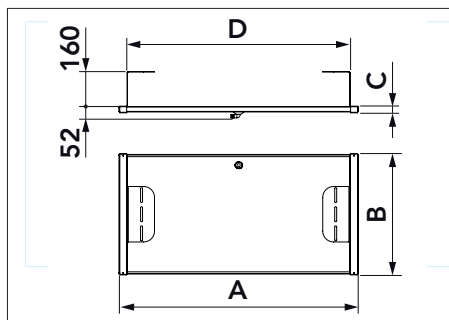
CARACTÉRISTIQUES TECHNIQUES

- TÔLE GALVANISÉE
- REVÊTEMENT EXTÉRIEUR EN POLYESTER
- RACCORD POUR TUYAU DE VIDANGE DE CONDENSAT Ø 16 mm

TECHNISCHE EIGENSCHAFTEN

- GALVANISCH VERZINKTES BLECH
- POLYESTERBESCHICHTUNG FÜR DEN AUSSENBEREICH
- ANSCHLUSS FÜR KONDENSATABLAUF Ø 16 mm

MADE IN ITALY



DOWNLOAD DATASHEET

FOR TSE INDUSTRIAL SHELVES SEE PAGE 128

CODE	DESCRIPTION	DIMENSIONS			
		A [mm]	B [mm]	C [mm]	D [mm]
SCD500031	INDUSTRY 980x390	980	390	25	910 max.
SCD500032	INDUSTRY 1100x550	1100	550	25	1030 max.
SCD500033	INDUSTRY 1180x800	1180	760	25	1110 max.

 WITH ANTIFREEZE CABLE

 AVEC CÂBLE ANTIGEL

 MIT FROSTSCHUTZKABEL

TECHNICAL SPECIFICATIONS

- POWER 15 W/m
- COUPLING FOR CONDENSATE DRAIN PIPE Ø 16 mm
- POWER SUPPLY VOLTAGE 230 V
- CABLE DIAMETER Ø 6 mm
- RESISTANCE TOLERANCES FROM -5% TO +10%
- BUILT-IN THERMOSTAT
- CONNECTION AT +3°C AND DISCONNECTION AT +12°C

CARACTÉRISTIQUES TECHNIQUES

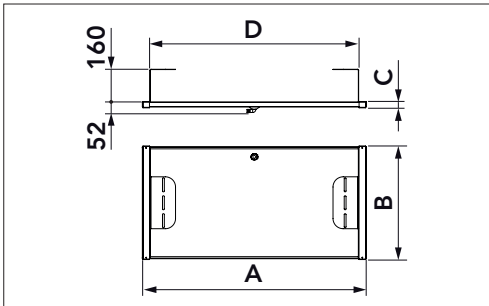
- PUISSANCE 15 W/m
- RACCORD POUR TUYAU DE VIDANGE DE CONDENSAT Ø 16 mm
- TENSION D'ALIMENTATION 230 V
- DIAMÈTRE DU CÂBLE DE 6 mm
- TOLÉRANCES DE RÉSISTANCE DE -5% À +10%
- THERMOSTAT INTÉGRÉ
- INSERTION À +3°C ET DÉCONNEXION À +12°C

TECHNISCHE EIGENSCHAFTEN

- LEISTUNG 15 W/m
- ANSCHLUSS FÜR KONDENSATABLAUF Ø 16 mm
- NETZSPANNUNG 230 V
- 6 mm KABELDURCHMESSER
- WIDERSTANDSTOLERANZEN VON -5 % BIS + 10%
- EINGEBAUTER THERMOSTAT
- EINSETZEN BEI +3°C UND TRENNEN BEI +12°C

 MADE IN ITALY

FOR TSE INDUSTRIAL SHELVES SEE PAGE 128



DOWNLOAD DATASHEET

CODE	DESCRIPTION	DIMENSIONS			
		A [mm]	B [mm]	C [mm]	D [mm]
SCD500034	INDUSTRY 390 WITH ANTIFREEZE CABLE	980	390	35	910 max.
SCD500035	INDUSTRY 550 WITH ANTIFREEZE CABLE	1100	550	35	1030 max.
SCD500036	INDUSTRY 800 WITH ANTIFREEZE CABLE	1180	760	35	1110 max.

 WITH ANTIFREEZE CABLE AND HEATING CABLE FOR CONDENSATE DRAIN PIPES

 AVEC CÂBLE ANTIGEL ET CÂBLE CHAUFFANT POUR TUYAUX DE DRAINAGE DE CONDENSAT

 MIT FROSTSCHUTZKABEL UND HEIZKABEL FÜR KONDENSATABLEITUNGEN

TECHNICAL SPECIFICATIONS

- POWER 15 W/m
- COUPLING FOR CONDENSATE DRAIN PIPE Ø 16 mm
- POWER SUPPLY VOLTAGE 230 V
- CABLE DIAMETER Ø 6 mm
- RESISTANCE TOLERANCES FROM -5% TO +10%
- BUILT-IN THERMOSTAT
- CONNECTION AT +3°C AND DISCONNECTION AT +12°C

CARACTÉRISTIQUES TECHNIQUES

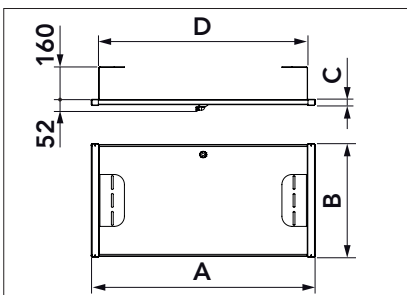
- PUISSANCE 15 W/m
- RACCORD POUR TUYAU DE VIDANGE DE CONDENSAT Ø 16 mm
- TENSION D'ALIMENTATION 230 V
- DIAMÈTRE DU CÂBLE DE 6 mm
- TOLÉRANCES DE RÉSISTANCE DE -5% À +10%
- THERMOSTAT INTÉGRÉ
- INSERTION À +3°C ET DÉCONNEXION À +12°C

TECHNISCHE EIGENSCHAFTEN

- LEISTUNG 15 W/m
- ANSCHLUSS FÜR KONDENSATABLAUF Ø 16 mm
- NETZSPANNUNG 230 V
- 6 mm KABELDURCHMESSER
- WIDERSTANDSTOLERANZEN VON -5 % BIS + 10%
- EINGEBAUTER THERMOSTAT
- EINSETZEN BEI +3°C UND TRENNEN BEI +12°C

 MADE IN ITALY

FOR TSE INDUSTRIAL SHELVES SEE PAGE 128



DOWNLOAD DATASHEET

CODE	DESCRIPTION	DIMENSIONS			
		A [mm]	B [mm]	C [mm]	D [mm]
SCD500037	INDUSTRY 390 WITH ANTIFREEZE CABLE FOR CONDENSATE DRAIN PIPES	980	390	35	910 max.
SCD500038	INDUSTRY 550 WITH ANTIFREEZE CABLE FOR CONDENSATE DRAIN PIPES	1100	550	35	1030 max.
SCD500039	INDUSTRY 760 WITH ANTIFREEZE CABLE FOR CONDENSATE DRAIN PIPES	1180	760	35	1110 max.



WIDE RANGE OF SUPPORTS FOR FLOOR CONDENSING UNITS WITH INTEGRATED TRAY SEE PAGE 141

BLUE RIVER



INSULATED DRAIN AND
CONDENSATE DRAIN KIT FOR
CONDENSATE TRAP



KIT PILE ET TUYAU DE
VIDANGE DES CONDENSATS
ISOLÉ POUR BAC



ABLAUFSET UND ISOLIERTES,
KONDENSATABLAUFROHR FÜR
KONDENSATAUFFANGWANNE

THE KIT CONSISTS OF

- 1 HOSE CLAMP Ø 20-32 mm
- 1 PLUG FOR BASIN WITH Ø 21 mm CONNECTION
- INSULATED CONDENSATE DRAIN PIPE Ø 21 INTERNAL Ø 33 EXTERNAL
- LENGTH OF INSULATED CONDENSATE DRAIN PIPE 3 OR 6 m

LE KIT SE COMPOSE DE

- 1 COLLIER DE SERRAGE Ø 20-32 mm
- 1 BONDE POUR LAVABO AVEC RACCORD Ø 21 mm
- TUYAU DE VIDANGE DES CONDENSATS ISOLÉ Ø 21 INTERNE Ø 33 EXTERNE
- LONGUEUR DE TUYAU DE VIDANGE DE CONDENSAT ISOLÉ DE 3 OU 6 m

DER BAUSATZ BESTEHT AUS

- 1 ZWINGE Ø 20-32 mm
- 1 ABLAUF FÜR BECKEN MIT Ø 21 mm STUTZEN
- ISOLIERTES KONDENSATABLAUFROHR INNEN-Ø 21 AUSSEN-Ø 33
- LÄNGE DES GEDÄMMTEN KONDENSATABLEITUNGSRÖHRS VON 3 ODER 6 m



MADE IN ITALY



DOWNLOAD
DATASHEET

CODE	DESCRIPTION
RIC00284	INSULATED DRAIN 3 m LENGTH AND CONDENSATE DRAIN KIT FOR "BLUE-RIVER" CONDENSATE TRAP
RIC00285	INSULATED DRAIN 6 m LENGTH AND CONDENSATE DRAIN KIT FOR "BLUE-RIVER" CONDENSATE TRAP



SILICONE ANTIFREEZE HEATING CABLE WITH BUILT-IN THERMAL SENSOR 3 / 6 / 9 M



CÂBLE DE CHAUFFAGE ANTIGEL EN SILICONE AVEC CAPTEUR THERMIQUE INTÉGRÉ 3/6/9 M



HEIZKABEL FÜR FROSTSCHUTZ AUS SILIKON MIT EINGEBAUTEN WARMESENSOR 3 / 6 / 9 M

TECHNICAL SPECIFICATIONS

- POWER: 15 W/m
- POWER SUPPLY VOLTAGE 230 V
- HEATING CABLE DIAMETER Ø 6 mm
- COLD SHEATH LENGTH 1 m
- POWER CORD LENGTH 1,2 m
- HEATING CABLE ACTIVATION TEMPERATURE +3°C
- HEATING CABLE SHUT-DOWN TEMPERATURE +12°C
- THE HEATING PART OF THE CABLE IS MADE OF SILICONE

CARACTÉRISTIQUES TECHNIQUES

- PUISSANCE 15 W/m
- TENSION D'ALIMENTATION 230 V
- DIAMÈTRE DU CÂBLE DE CHAUFFAGE 6 mm
- LONGUEUR DE LA GAINE FROIDE 1
- LONGUEUR DU CÂBLE D'ALIMENTATION 1,2 m
- TEMPÉRATURE D'ACTIVATION DU CÂBLE DE CHAUFFAGE +3°C
- TEMPÉRATURE D'ARRÊT DU CÂBLE DE CHAUFFAGE +12°C
- LA PARTIE CHAUFFANTE DU CÂBLE EST EN SILICONE

TECHNISCHE EIGENSCHAFTEN

- LEISTUNG 15 W/m
- NETZSPANNUNG 230 V
- HEIZKABELDURCHMESSER Ø 6 mm
- KALTE UMMANTELUNG LÄNGE 1 m
- NETZKABELLÄNGE 1,2 m
- HEIZKABEL-AKTIVIERUNGSTEMPERATUR +3°C
- ABSCHALTTEMPERATUR DES HEIZKABELS +12°C
- DER HEIZTEIL DES KABELS BESTEHT AUS SILIKON



DOWNLOAD DATASHEET

CODE	DESCRIPTION
SCC300008	15 W/m SILICONE ANTIFREEZE HEATING CABLE WITH BUILT-IN THERMAL SENSOR AND 3 m PLUG
SCC300009	15 W/m SILICONE ANTIFREEZE HEATING CABLE WITH BUILT-IN THERMAL SENSOR AND 6 m PLUG
SCC300010	15 W/m SILICONE ANTIFREEZE HEATING CABLE WITH BUILT-IN THERMAL SENSOR AND 9 m PLUG
SCC300011	20 W/m ANTIFREEZE HEATING CABLE SILICONE WITH BUILT-IN THERMAL SENSOR AND 3 m PLUG
SCC300012	20 W/m ANTIFREEZE HEATING CABLE SILICONE WITH BUILT-IN THERMAL SENSOR AND 6 m PLUG
SCC300013	20 W/m ANTIFREEZE HEATING CABLE SILICONE WITH BUILT-IN THERMAL SENSOR AND 9 m PLUG



HEATING CABLE FOR CONDENSATE DRAINS



CÂBLE CHAUFFANT POUR VIDANGE DES CONDENSATS



HEIZKABEL FÜR KONDENSATABLEITUNGEN

TECHNICAL SPECIFICATIONS

- CONTINUOUS POWER 20 W/m
- POWER SUPPLY VOLTAGE 230 V
- RANGE OF USE FROM -50°C TO +180°C
- COLD CABLE L = 1 M
- EXTREMELY FLEXIBLE
- DIAMETER Ø 6,5 mm
- OUTER SHEATH MADE OF SILICONE
- 100% WATERPROOF

CARACTÉRISTIQUES TECHNIQUES

- PUISSANCE CONSTANTE 20 W/m
- TENSION D'ALIMENTATION 230 V
- PLAGE D'UTILISATION DE -50°C À +180°C
- CÂBLE FROIDE L = 1 M
- EXTRÊMEMENT FLEXIBLE
- DIAMÈTRE Ø 6,5 mm
- GAINE DE REVÊTEMENT EN SILICONE
- 100 % IMPERMÉABLE

TECHNISCHE EIGENSCHAFTEN

- KONSTANTE LEISTUNG 20 W/m
- NETZSPANNUNG 230 V
- EINSATZBEREICH VON -50°C BIS +180°C
- KALTE KABEL LÄNGE L = 1 m
- EXTREM FLEXIBEL
- DURCHMESSER Ø 6,5 mm
- SILIKONUMMANTELUNG
- 100 % WASSERDICHT



DOWNLOAD DATASHEET

CODE	DESCRIPTION	POWER
SCC300014	HEATING CABLE FOR CONDENSATE DRAIN LENGTH 3 m	60 W
SCC300015	HEATING CABLE FOR CONDENSATE DRAIN LENGTH 6 m	120 W
SCC300016	HEATING CABLE FOR CONDENSATE DRAIN LENGTH 9 m	180 W

PUMP EASY FLOW

GREAT ADVANTAGES IN A SMALL SPACE



Cable length 1,5 m

Sealing gasket
In rubber

Air outlet

Float
With magnet

Transparent
reservoir

Reservoir

Filter

Hook Plate With Sticker To Fix
The Float Housing

Front / Rear Water Suction
Connection





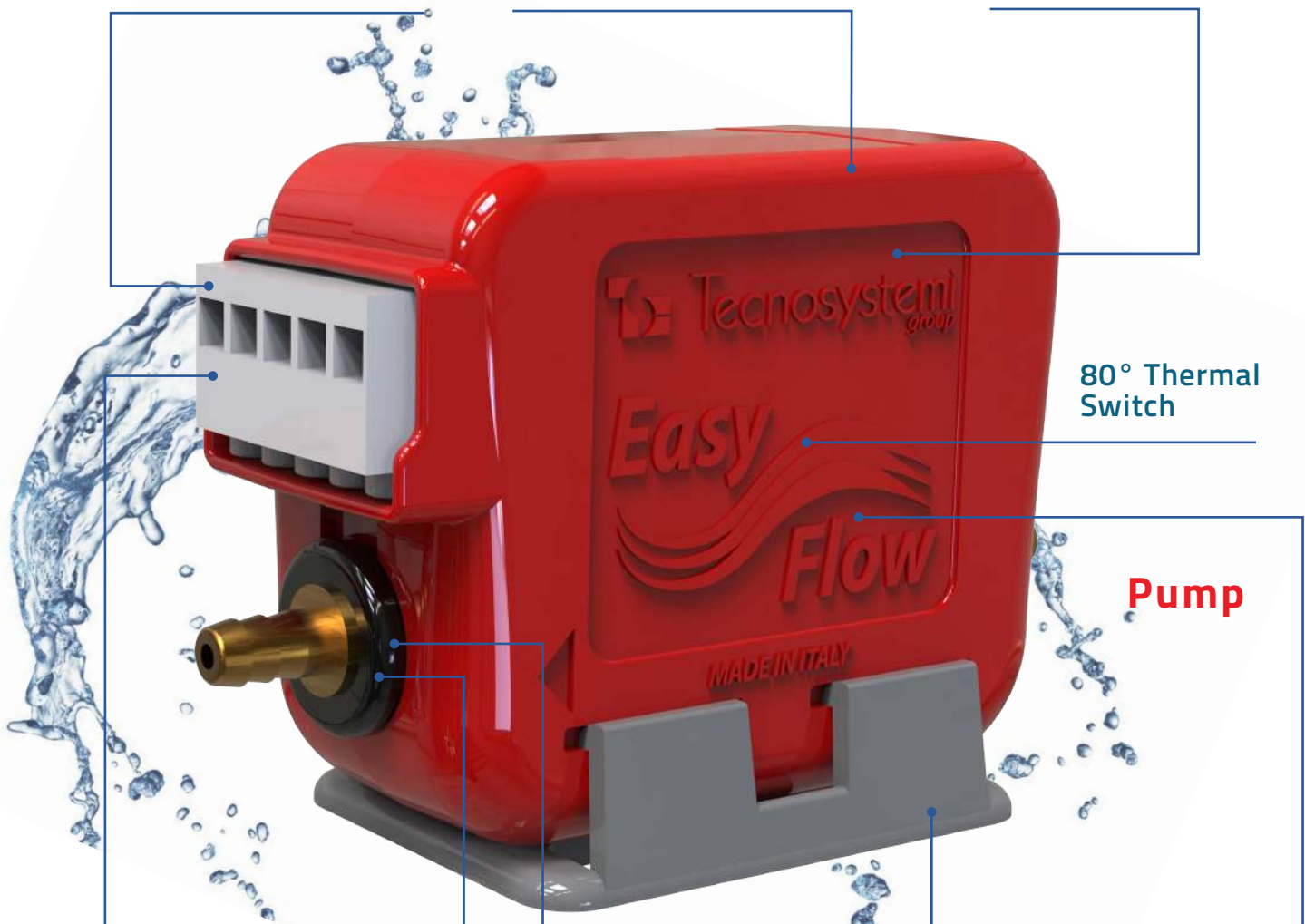
AVAILABLE IN PACK
WITH 12 PUMPS



Built-in alarm with
double contact
No-nc 8A

Sound absorbing shell

Direction of
the water thrust



80° Thermal
Switch

Pump

Removable electric
connector

Low noise
21 dB(A)

Built-in double
Non-return valve

Double
Anti-vibration

Anti-vibration plate
with adhesive
To anchor pump

EF 7 - 11 - 15 - 20 LT

 MINI PUMP

TECHNICAL SPECIFICATIONS

- INTAKE MAX 2 m VERTICAL BETWEEN FLOATING BODY AND PUMP
- POWER SUPPLY 230V - 50HZ
- ALARM CONTACT C-NO/NC 8A
- PROTECTION RATING IP20
- COVER WITH SEALING GASKET
- PACK INCLUDES FLOAT ANCHOR PLATE, PUMP, HOSE L = 1 M, VENT PIPE, DOUBLE-SIDED ADHESIVE TAPE, ADAPTER SLEEVE AND REMOVABLE ELECTRICAL CONNECTOR

DIMENSIONS [mm]

- TUBE: 4 X 6
- PUMP: L 97 - W 30 - H 55
- FLOAT BODY: L91 - W34 - H39

WALL-MOUNTED APPLICATIONS

- WALL SPLITS
- CONSOLES
- FAN COILS

CEILING-MOUNTED APPLICATIONS

- CEILING-MOUNTED AIR CONDITIONERS
- DUCTED

 MINI POMPE

CARACTÉRISTIQUES TECHNIQUES

- ASPIRATION MAX. 2 m VERTICAL ENTRE LE CORPS DU FLOTTEUR ET LA POMPE
- ALIMENTATION 230 V - 50 HZ
- CONTACT D'ALARME C-NO/NC 8A
- DEGRÉ DE PROTECTION IP20
- COUVERCLE AVEC JOINT D'ÉTANCHÉITÉ
- EMBALLAGE COMPLET DE PLAQUE D'ANCORAGE FLOTTANTE, POMPE, TUBE L = 1 M, TUBE D'ÉVENT, ADHÉSIFS DOUBLE FACE, MANCHON ADAPTATEUR ET CONNECTEUR ÉLECTRIQUE AMOVIBLE

DIMENSIONS [mm]

- TUYAU: 4 X 6
- POMPE: L 97 - W 30 - H 55
- CORPS FLOTTANT: L91 - W34 - H39

APPLICATIONS DE MONTAGE MURAL

- SPLIT MURAUX
- CONSOLES
- VENTIL-CONVECTEURS

APPLICATIONS DE MONTAGE AU PLAFOND

- CLIMATISEURS MONTÉS AU PLAFOND
- CANALISÉS

 MINIPUMPE

TECHNISCHE EIGENSCHAFTEN

- MAX. ANSAUGHÖHE 2 m, VERTIKAL, ZWISCHEN SCHWIMMERKÖRPER UND PUMPE
- NO/NC 8A ALARMKONTAKT
- SCHUTZART IP20
- ABDECKUNG MIT DICHTUNG
- PACKUNG KOMPLETT MIT SCHWIMMER-ANKERPLATTE, PUMPE, STEUERLEITUNG L = 1 M, ENTLÜFTUNGSLEITUNG, DOPPELSEITIGEM KLEBEBAND, ADAPTERHÜLSE UND ABNEHMBAREM ELEKTROSTECKER.

ABMESSUNGEN [mm]

- ROHR: 4 X 6
- PUMPE: L 97 X H 55 X T 30
- SCHWIMMERKÖRPER: L 91 - H 39 - T 34

WANDMONTAGEANWENDUNGEN

- WANDMONTIERTE SPLIT
- KONSOLEN
- GEBLÄSEKONVEKTOREN

DECKENMONTAGEANWENDUNGEN

- AN DER DECKE MONTIERTE KLIMAAANLAGEN
- KANALISIERT

WITH DOUBLE 8A NO-NC ALARM CONTACT

AVEC DOUBLE CONTACT D'ALARME 8A NO-NC

MIT DOPPELTEM 8A NO-NC ALARMKONTAKT



CE

MADE IN ITALY

(L 91 - D 34 - H 39 mm)



EASY FLOW



DUCT
INSTALLATION



INSTALLATION
IN THE SPLIT



ADAPTABLE ALSO IN DUCT
FOR INSTALLATION **SEE PAG. 109**



FLOAT BODY WITH VERTICAL
COUPLING **SEE PAG. 113**



AVAILABLE IN
12-PIECE COUNTER DISPLAY



(L 91 - D 34 - H 39 mm)



LARGER
TANK

TO OPTIMISE OPERATION OF
THE PUMP WITH SEALING
GASKET



RÉSERVOIR
PLUS GRAND

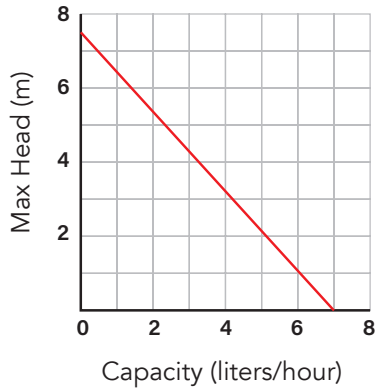
POUR OPTIMISER LE
FONCTIONNEMENT DE
LA POMPE AVEC JOINT
D'ÉTANCHÉITÉ



GRÖßERER
BEHÄLTER

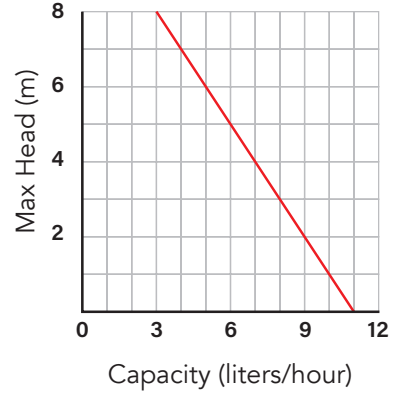
ZUR OPTIMIERUNG DES
BETRIEBS DER PUMPE MIT
DICHTUNG, AUSGESTATTET
MIT EINEM

EF 7 LT.



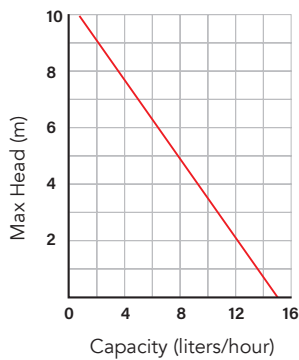
FOR AIR CONDITIONERS UP TO 5 kW
MAX. HEAD 7 m
POWER CONSUMPTION 19 W
SOUND LEVEL MAX. 21 dB(A)

EF 11 LT.



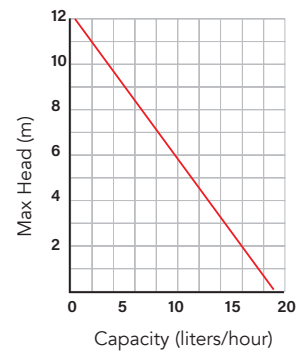
FOR AIR CONDITIONERS UP TO 10 kW
MAX. HEAD 8 m
POWER CONSUMPTION 19 W
SOUND LEVEL MAX. 21 dB(A)

EF 15 LT.



FOR AIR CONDITIONERS UP TO 16 kW
MAX. HEAD 10 m
POWER CONSUMPTION 19 W
SOUND LEVEL MAX. 25 dB(A)

EF 20 LT.



FOR AIR CONDITIONERS UP TO 20 kW
MAX. HEAD 12 m
POWER CONSUMPTION 19 W
SOUND LEVEL MAX. 26 dB(A)

N.B. THE FIXING KIT FOR TRUNKING OF "EASY FLOW" MINI PUMPS IS NOT INCLUDED IN THE PACKAGE (SEE PAGE 111)

CODE	DESCRIPTION
12170036	"EF7" - "EASY FLOW 7 lt" MINI PUMP
12170093	"EFV-7" - "EASY FLOW 7 lt" MINI PUMP WITH VERTICAL COUPLING
12170037	"EF11" - "EASY FLOW 11 lt" MINI PUMP
12170094	"EFV-11" - "EASY FLOW 11 lt" MINI PUMP WITH VERTICAL COUPLING
12170038	"EF15" - "EASY FLOW 15 lt" MINI PUMP
12170046	"EFV-15" - "EASY FLOW 15 lt" MINI PUMP WITH VERTICAL COUPLING
12170078	"EF20" - "EASY FLOW 20 lt" MINI PUMP
12170079	"EFV-20" - "EASY FLOW 20 lt" MINI PUMP WITH VERTICAL COUPLING



DOWNLOAD
DATASHEET

EF 30 - 40 LT

 MINI PUMP

TECHNICAL SPECIFICATIONS

- INTAKE MAX 2 m VERTICAL BETWEEN FLOATING BODY AND PUMP
- POWER SUPPLY 230V - 50HZ
- ALARM CONTACT C-NO/NC 8A
- POWER CONSUMPTION 27 W
- PROTECTION RATING IP20
- COVER WITH SEALING GASKET
- PACK INCLUDES FLOAT ANCHOR PLATE, PUMP, VENT PIPE, DOUBLE-SIDED ADHESIVE TAPE, ADAPTER SLEEVE AND REMOVABLE ELECTRICAL CONNECTOR

DIMENSIONS [mm]

- TUBE: 6 X 9,5
- PUMP: L 108 - W 38 - H 63
- FLOAT BODY: L91 - W34 - H39

WALL-MOUNTED APPLICATIONS

- WALL SPLITS
- CONSOLES
- FAN COILS

CEILING-MOUNTED APPLICATIONS

- CEILING-MOUNTED AIR CONDITIONERS
- DUCTED

WITH DOUBLE 16A
NO-NC ALARM CONTACT

 MINI-POMPE

CARACTÉRISTIQUES TECHNIQUES

- ASPIRATION MAX. 2 m VERTICAL ENTRE LE CORPS DU FLOTTEUR ET LA POMPE
- ALIMENTATION 230 V - 50 HZ
- CONTACT D'ALARME C-NO/NC 8A
- CONSOMMATION ÉLECTRIQUE 27 W
- DEGRÉ DE PROTECTION IP20
- COUVERCLE AVEC JOINT D'ÉTANCHÉITÉ
- EMBALLAGE COMPLET DE PLAQUE D'ANCHORAGE FLOTTANTE, POMPE, TUBE D'ÉVENT, ADHÉSIFS DOUBLE FACE, MANCHON ADAPTATEUR ET CONNECTEUR ÉLECTRIQUE AMOVIBLE

DIMENSIONS [mm]

- TUYAU: 6 X 9,5
- POMPE: L 108 - W 38 - H 63
- CORPS FLOTTANT: L91 - W34 - H39

APPLICATIONS DE MONTAGE MURAL

- SPLIT MURAUX
- CONSOLES
- VENTIL-CONVECTEURS

APPLICATIONS DE MONTAGE AU PLAFOND

- CLIMATISEURS MONTÉS AU PLAFOND
- CANALISÉS

AVEC DOUBLE CONTACT
D'ALARME 8A NO-NF

 MINIPUMPE

TECHNISCHE EIGENSCHAFTEN

- MAX. ANSAUGHÖHE 2 m, VERTIKAL, ZWISCHEN SCHWIMMERKÖRPER UND PUMPE
- STROMVERSORGUNG 230V - 50HZ
- C-NO/NC 8A ALARMKONTAKT
- LEISTUNGS-AUFNAHME 27 W
- SCHUTZART IP20
- ABDECKUNG MIT DICHTUNG
- PAKUNG KOMPLETT MIT SCHWIMMER-ANKERPLATTE, PUMPE, ENTLÜFTUNGSSCHLAUCH, DOPPELSEITIGEM KLEBEBAND, ADAPTERHÜLSE UND ABNEHMBAREM ELEKTRISCHEM ANSCHLUSS.

ABMESSUNGEN [mm]

- ROHR: 6 X 9,5
- PUMPE: L 108 - W 38 - H 63
- SCHWIMMERKÖRPER: L91 - W34 - H39

WANDMONTAGEANWENDUNGEN

- WANDMONTIERTE SPLIT
- KONSOLEN
- GEBLÄSEKONVEKTOREN

DECKENMONTAGEANWENDUNGEN

- AN DER DECKE MONTIERTE KLIMAAANLAGEN
- KANALISIERT

MIT DOPPELTEM 8A
NO-NC ALARMKONTAKT



CE

MADE IN ITALY



ADAPTABLE ALSO IN DUCT
FOR INSTALLATION **SEE PAG. 109**



FLOAT BODY WITH VERTICAL
COUPLING **SEE PAG. 113**

EASY FLOW



AVAILABLE IN AN
12-PIECE COUNTER DISPLAY



(L 91 - D 34 - H 39 mm)



LARGER TANK

TO OPTIMISE OPERATION OF THE PUMP WITH SEALING GASKET



RÉSERVOIR PLUS GRAND

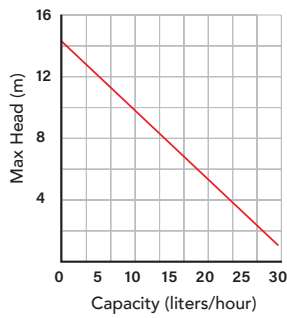
POUR OPTIMISER LE FONCTIONNEMENT DE LA POMPE AVEC JOINT D'ÉTANCHÉITÉ



GRÖßERER BEHÄLTER

ZUR OPTIMIERUNG DES BETRIEBS DER PUMPE MIT DICHTUNG, AUSGESTATTET MIT EINEM

EF 30 LT.

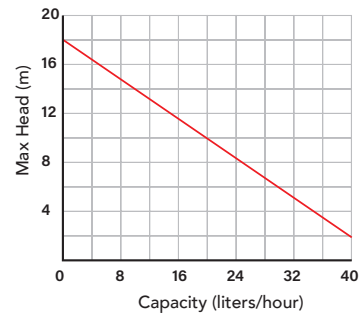


FOR AIR CONDITIONERS UP TO 30 kW

MAX. HEAD 14 m

SOUND LEVEL MAX. 50 dB(A)

EF 40 LT.

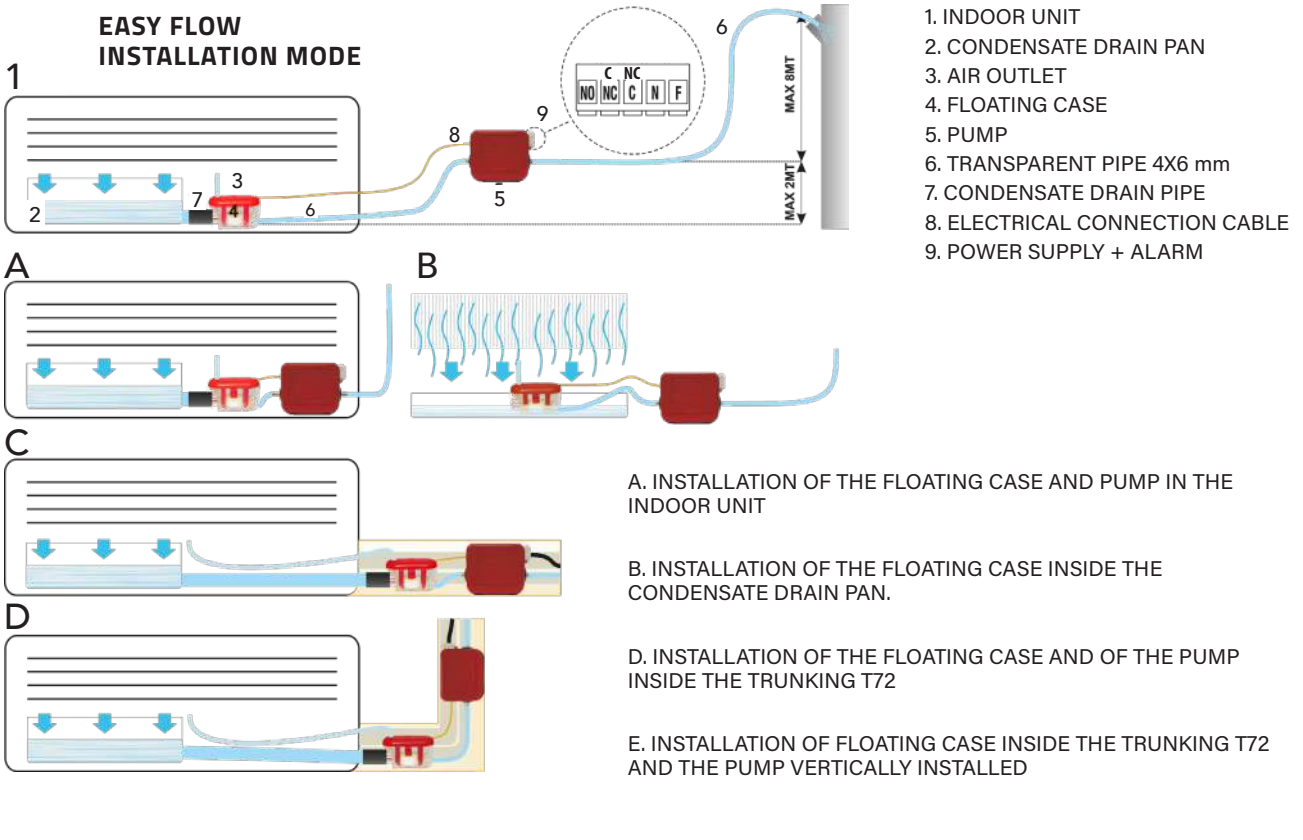


FOR AIR CONDITIONERS UP TO 40 kW

MAX. HEAD 18 m

SOUND LEVEL MAX. 51 dB(A)

EASY FLOW INSTALLATION MODE



CODE	DESCRIPTION
12170039	"EF30" - "EASY FLOW 30 lt" MINI PUMP
12170095	"EFV-30" - "EASY FLOW 30 lt" MINI PUMP WITH VERTICAL COUPLING
12170040	"EF40" - "EASY FLOW 40 lt" MINI PUMP
12170096	"EFV-40" - "EASY FLOW 40 lt" MINI PUMP WITH VERTICAL COUPLING



DOWNLOAD DATASHEET

EF15-A - EF15-AV



MINI ACID CONDENSATE WATER PUMP

TECHNICAL SPECIFICATIONS

- FLOW RATE 15 l/h
- INTAKE MAX 2 M VERTICAL BETWEEN FLOATING BODY AND PUMP
- FLOAT BODY DIMENSIONS L 87 - H 38 - D 34 mm
- MAX. 10 m VERTICAL DELIVERY BETWEEN PUMP AND WATER OUTLET
- POWER SUPPLY 230 V - 50 Hz
- ALARM CONTACT C-NO/NC 8A
- MAX NOISE LEVEL 29 [dB(A)]
- TUBE SIZE Ø 4 X 6 mm
- PH MINIMUM 2.5
- MAX OPERATING TEMPERATURE +55°C
- POWER CONSUMPTION 19 W
- PROTECTION RATING IP20

WITH DOUBLE 8A NO-NC ALARM CONTACT



MINI POMPE POUR EAU DE CONDENSAT ACIDE

CARACTÉRISTIQUES TECHNIQUES

- DÉBIT 15 l/h
- ASPIRATION MAX. 2 M VERTICAL ENTRE LE CORPS DU FLOTTEUR ET LA POMPE
- DIMENSIONS DU CORPS FLOTTANT L 87 - H 38 - D 34 mm
- ALIMENTATION MAX. 10 m VERTICALEMENT ENTRE LA POMPE ET LA SORTIE D'EAU
- ALIMENTATION ÉLECTRIQUE 230 V - 50 Hz
- CONTACT D'ALARME C-NO/NC 8A
- NIVEAU SONORE MAXIMAL 29 [dB(A)]
- TAILLE DU TUYAU Ø 4 X 6 mm
- PH MINIMUM 2,5
- TEMPÉRATURE MAXIMALE DE FONCTIONNEMENT +55 °C
- CONSOMMATION ÉLECTRIQUE 19 W
- DEGRÉ DE PROTECTION IP20

AVEC DOUBLE CONTACT D'ALARME 8A NO-NC



MINIPUMPE FÜR SAURES KONDENSATWASSER

TECHNISCHE EIGENSCHAFTEN

- FÖRDERMENGE 15 l/h
- MAX. ANSAUGHÖHE 2 M, VERTIKAL, ZWISCHEN SCHWIMMERKÖRPER UND PUMPE
- ABMESSUNGEN SCHWIMMERKÖRPER L 87 - H 38 - T 34 mm
- MAX. ZUFUHR 10 M VERTIKAL ZWISCHEN PUMPE UND WASSERAUSLASS
- VERSORGUNG 230 V - 50 Hz
- C-NO/NC 8A ALARMKONTAKT
- MAX. SCHALLPEGEL 29 [dB(A)]
- ROHRDURCHMESSER Ø 4 X 6 mm
- PH MIN. 2,5
- MAX. BETRIEBSTEMPERATUR +55°C
- LEISTUNGS-AUFNAHME 19 W
- SCHUTZART IP20

MIT DOPPELTEM 8A NO-NC ALARMKONTAKT

AVAILABLE IN AN 8 -PIECE COUNTER DISPLAY



MINI ACID CONDENSATE WATER PUMP



LARGER TANK

TO OPTIMISE OPERATION OF THE PUMP WITH SEALING GASKET

(L 91 - D 34 - H 39 mm)



RÉSERVOIR PLUS GRAND

POUR OPTIMISER LE FONCTIONNEMENT DE LA POMPE AVEC JOINT D'ÉTANCHÉITÉ



GRÖßERER BEHÄLTER

ZUR OPTIMIERUNG DES BETRIEBS DER PUMPE MIT DICHTUNG, AUSGESTATTET MIT EINEM

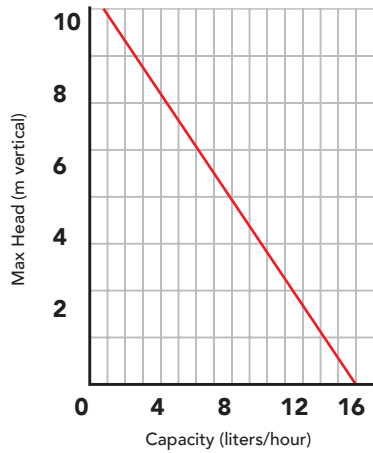
ACCESSORIES



FLOAT BODY WITH VERTICAL COUPLING
DIMENSIONS: L 67 - P 30 - H 55 mm

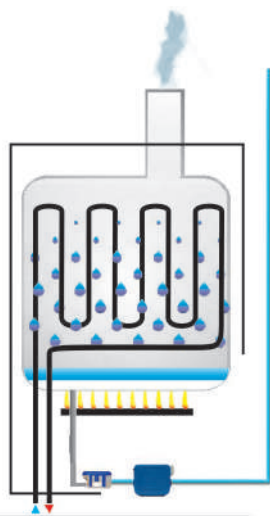


15 LT.



FLOW RATE 15 l/h
MAX. 10 M VERTICAL DELIVERY
POWER CONSUMPTION 19 W
ALARM CONTACT C-NO/NC 8A
PROTECTION RATING IP20

EXAMPLE OF INSTALLATION

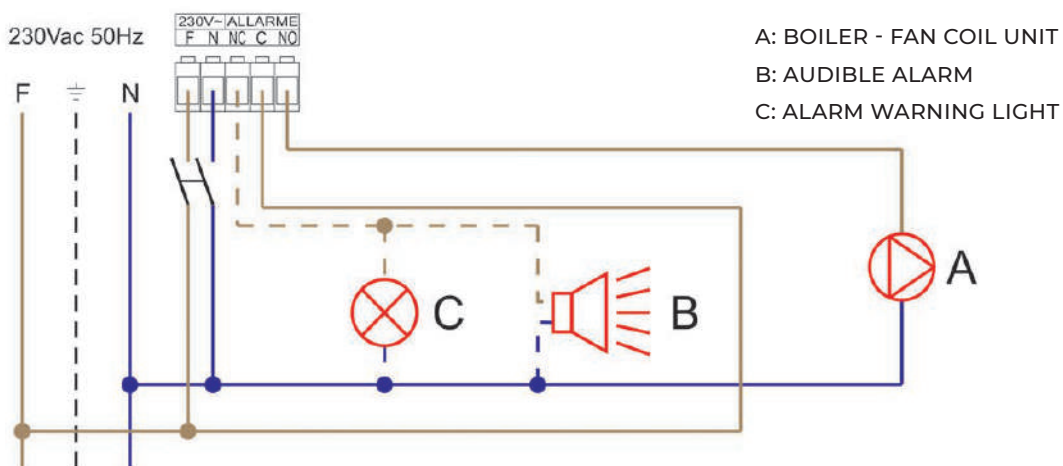


EXAMPLE OF INSTALLATION
IN A FAN COIL

- 1: EF-A
- 2: EF-AV
- 3: BOILER
- 4: ACIDIC CONDENSATE
- 5: TRAP

*** WARNING!**
Do not connect to boiler flue.

ELECTRICAL ASSEMBLY DIAGRAM



- A: BOILER - FAN COIL UNIT
- B: AUDIBLE ALARM
- C: ALARM WARNING LIGHT

CODE	DESCRIPTION
12170050	MINI PUMP FOR ACID CONDENSATE WATER EF15-AV WITH VERTICAL CONNECTIONS INCLUDING FLOATING BODY
12170049H	REPLACEMENT FLOAT BODY FOR MINI PUMP MODEL EF15-A WITH HORIZONTAL CONNECTIONS
12170045	MINI PUMP FOR ACID CONDENSATE WATER EF15-A WITH HORIZONTAL CONNECTIONS INCLUDING FLOATING BODY
12170051	REPLACEMENT FLOAT BODY FOR MINI PUMP MODEL EF15-AV WITH VERTICAL CONNECTIONS



DOWNLOAD
DATASHEET

AQUA SPLIT 11 LT

 MINI PUMP

 MINI-POMPE

 MINIPUMPE

TECHNICAL SPECIFICATIONS

- V 11 L/H FOR AIR CONDITIONERS UP TO 10 KW
- INTAKE MAX 2 m VERTICALS BETWEEN FLOAT AND PUMP
- MAX. 8 M VERTICAL DELIVERY BETWEEN PUMP AND WATER OUTLET
- POWER SUPPLY 230V - 50HZ
- ALARM CONTACT C-NO/NC 8A
- POWER CONSUMPTION: 19 W
- MAX NOISE LEVEL 21 DB(A)
- PROTECTION RATING IP20
- PACK INCLUDES PUMP, HOSE L = 1 M, VENT PIPE, DOUBLE-SIDED ADHESIVE TAPE, ADAPTER SLEEVE AND REMOVABLE ELECTRICAL CONNECTOR

DIMENSIONS [mm]

- TUBE: 4 X 6
- PUMP: L 97 - W 30 - H 55
- FLOAT BODY: L91 - W34 - H39

WALL-MOUNTED APPLICATIONS

- WALL SPLITS
- CONSOLES
- FAN COILS

CEILING-MOUNTED APPLICATIONS

- CEILING-MOUNTED AIR CONDITIONERS
- DUCTED

CARACTÉRISTIQUES TECHNIQUES

- DÉBIT 11 L/H POUR LES CLIMATISEURS JUSQU'À 10 KW
- ASPIRATION MAXIMALE 2 m VERTICAL ENTRE LE CORPS FLOTTANT ET LA POMPE
- ALIMENTATION MAX. 8 M VERTICALEMENT ENTRE LA POMPE ET LA SORTIE D'EAU
- ALIMENTATION 230 V - 50 HZ
- CONTACT D'ALARME C-NO/NC 8A
- CONSOMMATION ÉLECTRIQUE 19 W
- NIVEAU SONORE MAXIMAL 21 DB (A)
- DEGRÉ DE PROTECTION IP20
- EMBALLAGE COMPLET AVEC POMPE, TUBE L = 1 M, TUBE DE VENTILATION, ADHÉSIFS DOUBLE FACE, MANCHON

DIMENSIONS [mm]

- TUYAU: 4 X 6
- POMPE: L 97 - W 30 - H 55
- CORPS FLOTTANT: L91 - W34 - H39

APPLICATIONS DE MONTAGE MURAL

- SPLIT MURAUX
- CONSOLES
- VENTILO-CONVECTEURS

APPLICATIONS DE MONTAGE AU PLAFOND

- CLIMATISEURS MONTÉS AU PLAFOND
- CANALISÉS

TECHNISCHE EIGENSCHAFTEN

- FÖRDERMENGE 11 L/H FÜR KLIMAAANLAGEN BIS 10 KW
- MAX. ANSAUGLEISTUNG 2 m VERTIKAL ZWISCHEN SCHWIMMKÖRPER UND PUMPE
- MAX. ZUFUHR 8 M VERTIKAL ZWISCHEN PUMPE UND WASSERAUSLASS
- STROMVERSORGUNG 230V - 50HZ
- C-NO/NC 8A ALARMKONTAKT
- LEISTUNGS-AUFNAHME 19 W
- MAX. SCHALLPEGEL 21 DB (A)
- SCHUTZART IP20
- PACKUNG KOMPLETT MIT PUMPE, STEUERLEITUNG L = 1 M, ENTLÜFTUNGSLEITUNG, DOPPELSEITIGEM KLEBEBAND

ABMESSUNGEN [mm]

- ROHR: 4 X 6
- PUMPE: L 97 - W 30 - H 55
- SCHWIMMERKÖRPER: L91 - W34 - H39

WANDMONTAGEANWENDUNGEN

- WANDMONTIERTE SPLIT
- KONSOLEN
- GEBLÄSEKONVEKTOREN

DECKENMONTAGEANWENDUNGEN

- AN DER DECKE MONTIERTE KLIMAAANLAGEN
- KANALISIERT

WITH DOUBLE 8A NO-NC ALARM CONTACT

AVEC DOUBLE CONTACT D'ALARME 8A NO-NC

MIT DOPPELTEM 8A NO-NC ALARMKONTAKT



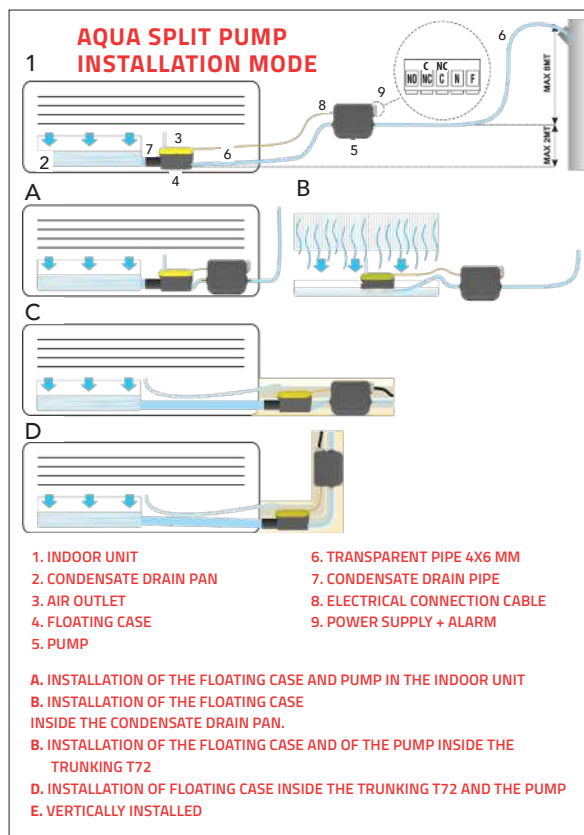
MADE IN ITALY



ADAPTABLE ALSO IN DUCT FOR INSTALLATION **SEE PAG. 109**



AVAILABLE IN AN **12-PIECE COUNTER DISPLAY**



DOWNLOAD DATASHEET

EASY ONE

THE PUMP THAT SAVES TIME



Ultra compact
Monoblock pump

Possibility of
Installation in
"Excellens t72" and
"Optima t75" ducts

Removable
Electric connector
For fast installation
And maintenance

New pump low
Noise 21 db(a)

Sound-absorbing shell in
plastic material

Seats for the duct fixing kit

Transparent "easy cleaning" float for quick
and easy inspection and
Maintenance

Supplied complete with fixing bracket,
double-sided tape and adapter sleeve

80°C thermal switch

Built-in double
Non-return valve

Built-in contact
Alarm no / 6a

Air outlet

Water inlet prepared
for adapter sleeve

Built-in and
Removable filter for
trapping impurities

Rubber sealed
Gasket

Float with magnet
Incorporated

EASY ONE - 7 - 11 - 15 - 20 LT.



MONOBLOC CONDENSATE DRAIN PUMP



POMPE DE VIDANGE DES CONDENSATS MONOBLOC



MONOBLOCK-KONDENSATABLAUFpumpe

TECHNICAL SPECIFICATIONS

- INTAKE 0 m (gravity fed)
- POWER SUPPLY 230V - 50Hz
- POWER CONSUMPTION 15 W
- ALARM CONTACT C-NO/NC 6A
- POWER CORD + ALARM L = 1,5 m
- TRANSPARENT TANK THAT CAN BE INSPECTED FOR ROUTINE MAINTENANCE
- TANK WITH SEALING GASKET

DIMENSIONS [mm]

- TUBE: 4 X 6
- PUMP: L 180 x H 46 x P 33

CARACTÉRISTIQUES TECHNIQUES

- ASPIRATION 0 m (REÇOIT EAU PAR GRAVITÉ)
- ALIMENTATION 230 V - 50Hz
- CONSOMMATION ÉLECTRIQUE 15 W
- CONTACT D'ALARME C-NO/NC 6A
- CÂBLE D'ALIMENTATION + ALARME L = 1,5 m
- RÉSERVOIR TRANSPARENT QUI PEUT ÊTRE INSPECTÉ POUR L'ENTRETIEN DE ROUTINE
- RÉSERVOIR ÉQUIPÉ D'UN JOINT D'ÉTANCHÉITÉ

DIMENSIONS [mm]

- TUYAU: 4 X 6
- POMPE: L 180 x H 46 x P 33

TECHNISCHE EIGENSCHAFTEN

- ANSAUGUNG 0 M (ERHÄLT WASSER DURCH SCHWERKRAFT)
- STROMVERSORGUNG 230V - 50 HZ
- LEISTUNGSaufnahme 15 W
- ALARMKONTAKT C-NO/NC 6A
- NETZKABEL + ALARM L = 1,5 M
- TRANSPARENTER TANK, DER FÜR DIE ROUTINEMÄSSIGE WARTUNG INSPIZIERT WERDEN KANN
- TANK MIT DICHTUNG

DIMENSIONI [mm]

- ROHR: 4 X 6
- PUMPE: L 180 x H 46 x P 33

WITH DOUBLE 6A NO-NC ALARM CONTACT

AVEC DOUBLE CONTACT D'ALARME 6A NO-NC

MIT DOPPELTEM 6A NO-NC ALARMKONTAKT

- ✓ **SIMPLIFIED ASSEMBLY**
- ✓ **REDUCTION IN INSTALLATION TIMES**
- ✓ **LOWER CONSUMPTION**

- ✓ **MONTAGE SIMPLIFIÉ**
- ✓ **RÉDUCTION DES TEMPS D'INSTALLATION**
- ✓ **BAISSE DE LA CONSOMMATION**

- ✓ **VEREINFACHTE MONTAGE**
- ✓ **VERKÜRZUNG DER MONTAGESZEITEN**
- ✓ **GERINGERER VERBRAUCH**



MADE IN ITALY



AVAILABLE IN AN
12-PIECE COUNTER DISPLAY



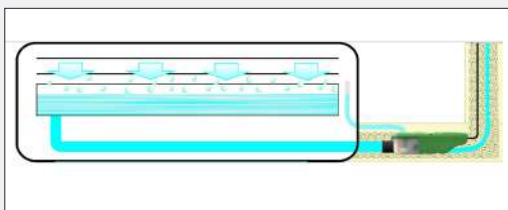
ADAPTABLE ALSO IN DUCT
FOR INSTALLATION **SEE PAG. 109**

YouTube

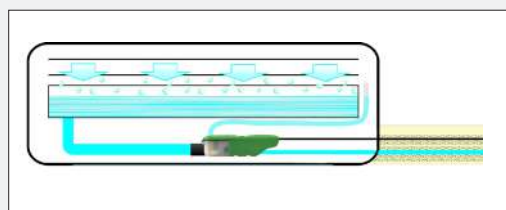


INSTALLATION IN SPLIT

INSTALLATION:

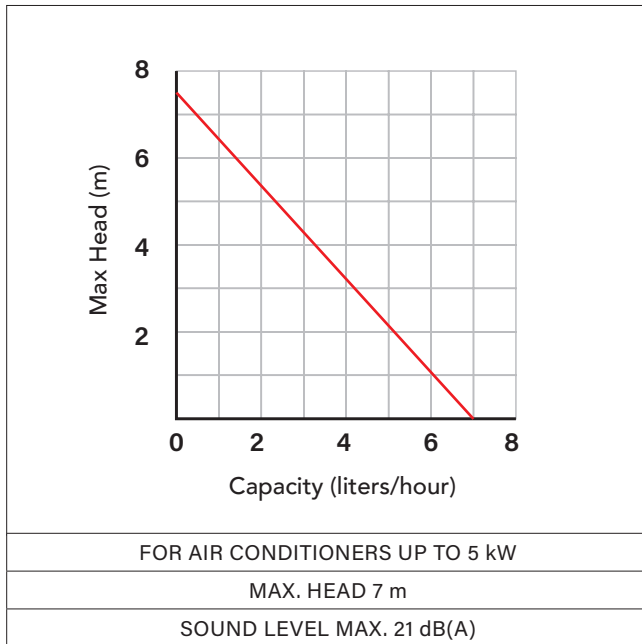


IN THE HORIZONTAL TRUNKING

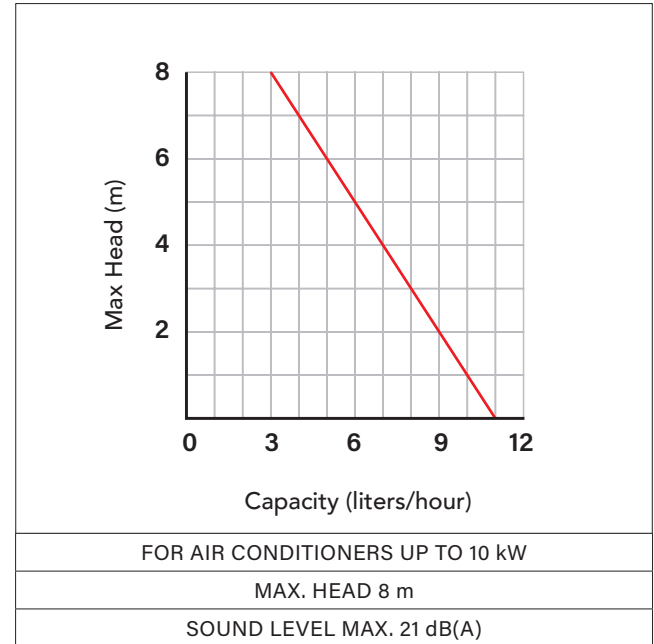


INSIDE THE SPLIT

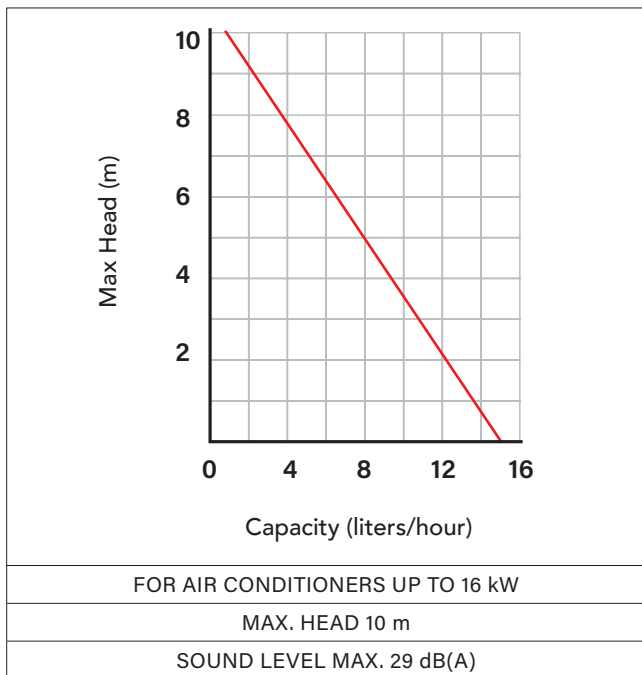
EASY ONE 7 LT.



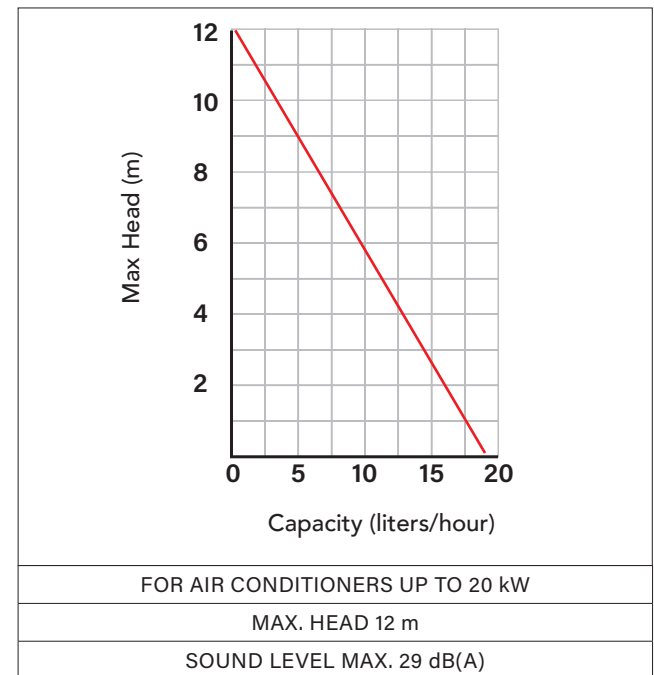
EASY ONE 11 LT.



EASY ONE 15 LT.



EASY ONE 20 LT.



CODE	DESCRIPTION
12170300	"EASY ONE - 7 lt" MONOBLOC CONDENSATE DRAIN PUMP
12170310	"EASY ONE - 11 lt" MONOBLOC CONDENSATE DRAIN PUMP
12170320	"EASY ONE - 15 lt" MONOBLOC CONDENSATE DRAIN PUMP
12170330	"EASY ONE - 20 lt" MONOBLOC CONDENSATE DRAIN PUMP



DOWNLOAD DATASHEET

PUMPS **SORRISO**

Led light signals pump operation
For models with this option

2 Holes for fastening

Cable + alarm

Suction hose of condensate from tank

Aesthetic bodies in abs plastic

WITH SIGNAL LEDS

- YELLOW: POWER SUPPLY
- GREEN: OPERATION
- RED: ALARM



AVAILABLE IN AN 8-PIECE
COUNTER DISPLAY



INSTALLATION
IN THE SPLIT

MADE IN ITALY

Connection for drain \varnothing 4 x 6 mm
pipe

Push-bottom to open/close the
inspection hatch

Inlet of water Condensate

Transparent
Easy to inspect and
Washable tank

Filter of tank

Polystyrene float

Inspection hatch

SORRISO CLIMA LED - SC 11 LT AND SORRISO CLIMA - SC 11 LT



CONDENSATE DRAIN
SUB-SPLIT PUMP



POMPE DRAINAGE CONDENSAT
DE DESSOUS-SPLIT



KONDENSATABLASSPUMPE SC
11 LT AUS UNTER-SPLIT

TECHNICAL SPECIFICATIONS

- MAX. 8 M VERTICAL DELIVERY BETWEEN PUMP AND WATER OUTLET
- POWER SUPPLY 230V/50 Hz
- ALARM CONTACT C-NO 6A
- POWER CONSUMPTION 19 W
- FLOW RATE 11 L/H FOR AIR CONDITIONERS UP TO 10 kW
- MAX NOISE LEVEL 21 dB(A)
- PROTECTION RATING IP20

DIMENSIONS [mm]

- TUBE: 4 X 6
- PUMP: L 225 X P 60 x H 70

CARACTÉRISTIQUES TECHNIQUES

- ALIMENTATION MAX. 8 M VERTICALEMENT ENTRE LA POMPE ET LA SORTIE D'EAU
- ALIMENTATION 230 V/50 HZ
- CONTACT D'ALARME C-NO 6A
- CONSOMMATION ÉLECTRIQUE 19 W
- DÉBIT 11 L/H POUR LES CLIMATISEURS JUSQU'À 10 KW
- NIVEAU SONORE MAXIMAL 21 DB(A)
- DEGRÉ DE PROTECTION IP20

DIMENSIONS [mm]

- TUYAU: 4 X 6
- POMPE: L 225 X P 60 x H 70

TECHNISCHE EIGENSCHAFTEN

- MAX. ZUFUHR 8 M VERTIKAL ZWISCHEN PUMPE UND WASSERAUSLASS
- STROMVERSORGUNG 230V - 50HZ
- C-NO 6A ALARMKONTAKT
- LEISTUNGS-AUFNAHME 19 W
- FÖRDERMENGE 11 L/H FÜR KLIMAAANLAGEN BIS 10 KW
- MAX. SCHALLPEGEL 21 DB(A)
- SCHUTZART IP20

DIMENSIONI [mm]

- ROHR: 4 X 6
- PUMPE: L 225 X P 60 x H 70

6A C-NO ALARM CONTACT

CONTACT D'ALARME C-NO 6A

C-NO 6A ALARMKONTAKT

AVAILABLE WITHOUT LED

DISPONIBLE SANS LED

ERHÄLTICH OHNE LED



CE

MADE IN ITALY



INSTALLATION
IN THE SPLIT



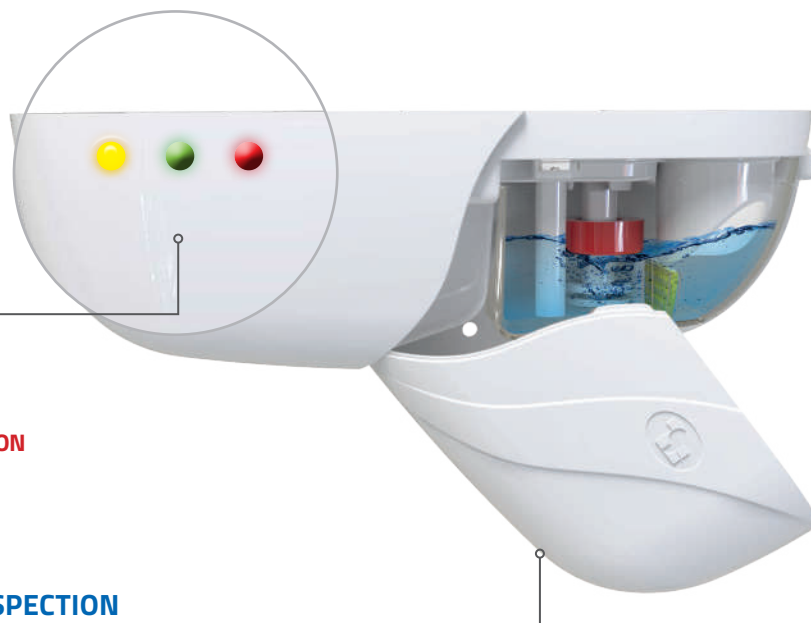
PUMP WITHOUT LED

SORRISO

PUMP WITH LED

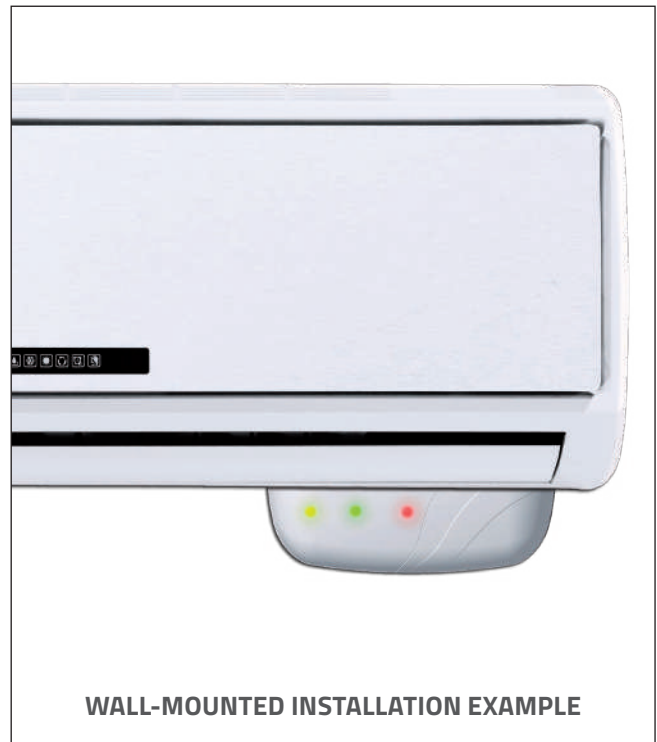
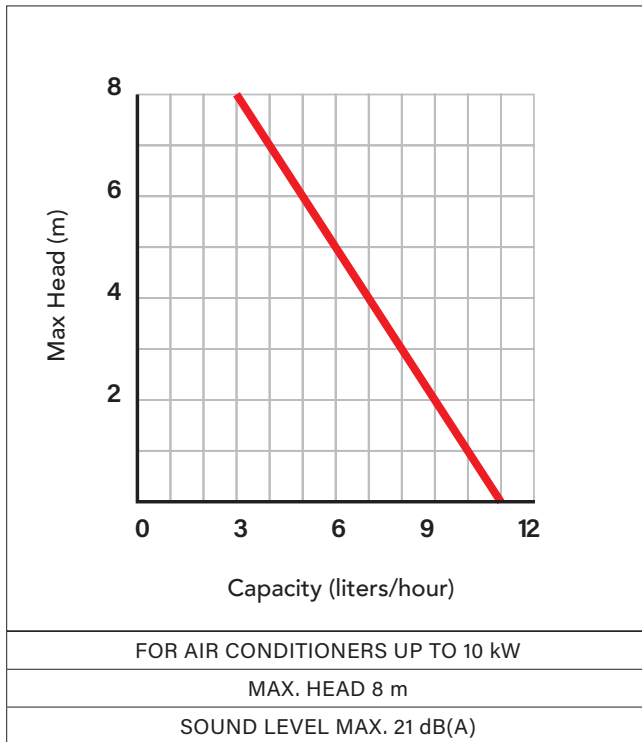
- YELLOW: POWER SUPPLY
- GREEN: OPERATION
- RED: ALARM *

***ATTENTION!**
THE PRESENCE OF THE ALARM LED
DOES NOT EXCLUDE THE CONNECTION
OF THE ALARM WIRES AS PER THE INSTALLATION
SCHEME.



PUMP WITH OPEN COVER FOR TANK INSPECTION

11 LT.



with inspectionable tank



avec réservoir inspectable



mit inspizierbarem Tank

APPLICATIONS

- WALL-MOUNTED AIR CONDITIONERS
- WALL-MOUNTED FAN COILS

APPLICATIONS

- CLIMATISEURS MURAUX
- VENTIL-CONVECTEURS MURAUX

ANWENDUNGEN

- WANDMONTIERTE AIR CONDITIONERS
- WANDMONTIERTE GEBLÄSEKONVEKTOREN

CODE	DESCRIPTION
12170100L	"SORRISO CLIMA LED-SC 11 LT" CONDENSATE DRAIN SUB-SPLIT PUMP
12170100	"SORRISO CLIMA-SC 11 LT" CONDENSATE DRAIN SUB-SPLIT PUMP



DOWNLOAD DATASHEET

SORRISO LED - SCA 15 LT AND SORRISO - SCA 15 LT



CONDENSATE DRAIN
SUB-SPLIT PUMP



POMPE DRAINAGE CONDENSAT
DE DESSOUS-SPLIT



KONDENSATABLASSPUMPE SC
11 LT AUS UNTER-SPLIT

TECHNICAL SPECIFICATIONS

- FLOW RATE 15 l/h
- MAX. 10 m VERTICAL DELIVERY BETWEEN PUMP AND WATER OUTLET
- POWER SUPPLY 230 V - 50 Hz
- ALARM CONTACT C-NO 6A
- PIPE DIMENSIONS Ø 4 X 6 (mm)
- PUMP DIMENSIONS W 220 X H 50 X D 70 mm
- POWER CONSUMPTION 19 W
- MAX. NOISE LEVEL 29 [dB (A)]
- PROTECTION RATING IP20
- AVAILABLE IN AN 8-PIECE COUNTER DISPLAY

6A C-NO ALARM CONTACT

AVAILABLE WITHOUT LED

CARACTÉRISTIQUES TECHNIQUES

- DÉBIT 15 l/h
- ALIMENTATION MAX. 10 m VERTICALEMENT ENTRE LA POMPE ET LA SORTIE D'EAU
- ALIMENTATION ÉLECTRIQUE 230 V - 50 Hz
- CONTACT D'ALARME C-NO 6A
- DIMENSIONS DU TUYAU Ø 4 X 6 (mm)
- DIMENSIONS DE LA POMPE L 220 X H 50 X P 70 mm
- CONSOMMATION ÉLECTRIQUE 19 W
- NIVEAU SONORE MAX. 29 [dB (A)]
- DEGRÉ DE PROTECTION IP20
- DISPONIBLE DANS UN PRÉSENTOIR DE COMPTOIR DE 8 PIÈCES

CONTACT D'ALARME C-NO 6A

DISPONIBLE SANS LED

TECHNISCHE EIGENSCHAFTEN

- FÖRDERMENGE 15 l/h
- MAX. ZUFUHR 10 m VERTIKAL ZWISCHEN PUMPE UND WASSERAUSLASS
- VERSORGUNG 230 V - 50 Hz
- C-NO 6A ALARMKONTAKT
- ROHRDURCHMESSER Ø 4 X 6 (mm)
- PUMPENABMESSUNGEN B 220 X H 50 X T 70 MM
- LEISTUNGS-AUFNAHME 19 W
- MAX. SCHALLPEGEL 29 [dB (A)]
- SCHUTZART IP20
- ERHÄLTICH IN EINEM 8-TEILIGEN THEKENAUSSTELLER

C-NO 6A ALARMKONTAKT

ERHÄLTICH OHNE LED



CE

MADE IN ITALY

YouTube



INSTALLATION



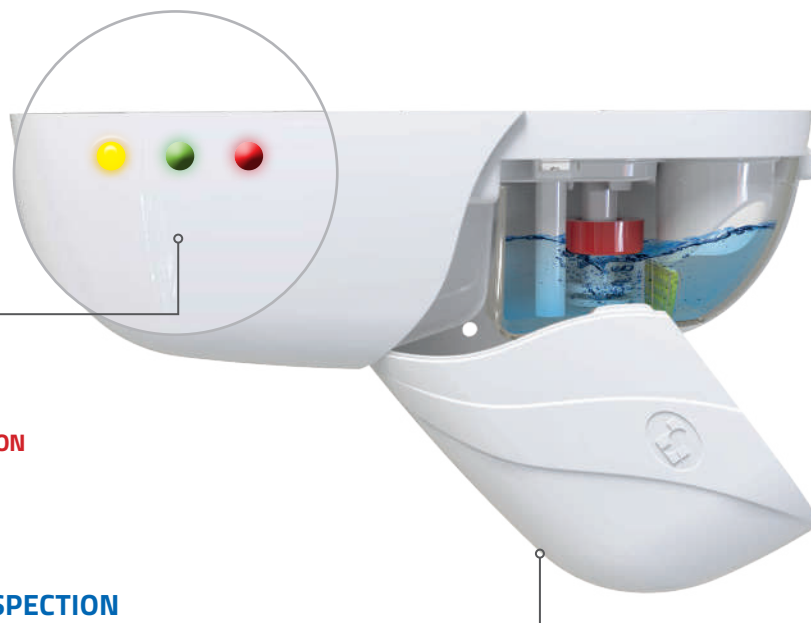
PUMP WITHOUT LED

SORRISO

PUMP WITH LED

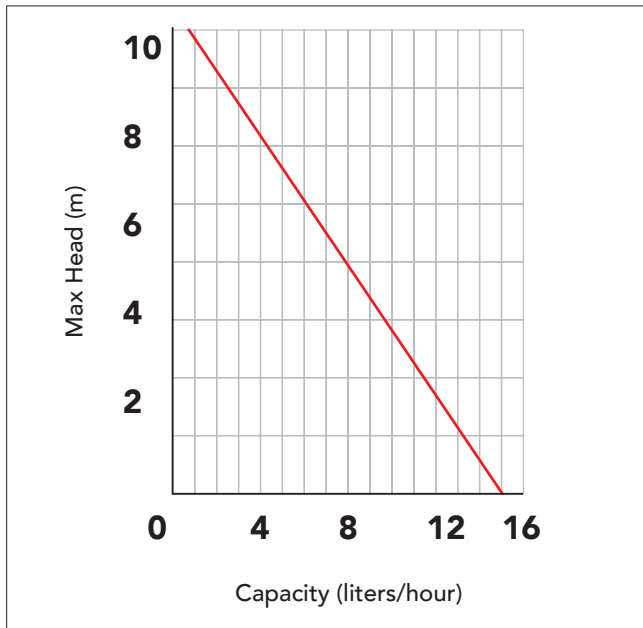
- YELLOW: POWER SUPPLY
- GREEN: OPERATION
- RED: ALARM *

***ATTENTION!**
THE PRESENCE OF THE ALARM LED
DOES NOT EXCLUDE THE CONNECTION
OF THE ALARM WIRES AS PER THE INSTALLATION
SCHEME.



PUMP WITH OPEN COVER FOR TANK INSPECTION

15 LT.



WITH INSPECTABLE TANK



APPLICATIONS

- ✓ **CONDENSING BOILERS**



AVAILABLE IN AN 8-PIECE
COUNTER DISPLAY



DOWNLOAD
DATASHEET

CODE	DESCRIPTION
12170101L	CONDENSATE DRAIN SUB-SPLIT PUMP "SORRISO LED-SCA 15 LT"
12170101	CONDENSATE DRAIN SUB-SPLIT PUMP "SORRISO-SCA 15 lt"



 **CENTRIFUGAL PUMP**
for box air conditioners

 **POMPE CENTRIFUGE**
pour conditionneurs d'air à tiroir

 **KREISELPUMPE**
für Kassettenklimaanlagen

TECHNICAL SPECIFICATIONS

- MAX FLOW RATE 24 L
- MAX. DELIVERY 1.2 m
- POWER SUPPLY 230V - 50HZ
- POWER CONSUMPTION 12 W
- OPERATING CONDITIONS: TEMP. WATER 0°C / +40°C, TEM. ROOM: -10°C / +45°C
- NOISE LEVEL 40 DB(A)
- MOTOR PROTECTION THERMAL SENSOR: 145°C ± 5°C
- WATER COUPLING DIAMETER: 13 mm
- POWER CABLE L 450 mm
- PUMP HEIGHT 100 mm
- FASTENING 4 X Ø 6 mm ON METAL PLATE

CARACTÉRISTIQUES TECHNIQUES

- DÉBIT MAXI 24 LITRES
- ALIMENTATION MAX. 1,2 m
- ALIMENTATION 230 V - 50 HZ
- CONSOMMATION ÉLECTRIQUE 12 W
- CONDITIONS DE TRAVAIL : TEMP EAU 0°C / +40°C, TEMP ENVIRONNEMENT: -10°C / +45°C
- NIVEAU SONORE 40 DB(A)
- CAPTEUR THERMIQUE DE PROTECTION DU MOTEUR : 145°C ± 5°C
- DIAMÈTRE DU RACCORD D'EAU: 13 mm
- CÂBLE D'ALIMENTATION L 450 mm
- HAUTEUR DE LA POMPE 100 mm
- FIXATION DE 4 X Ø 6 mm SUR PLAQUE MÉTALLIQUE

TECHNISCHE EIGENSCHAFTEN

- MAX. DURCHFLUSS 24 LT
- MAX. ZUFUHR 1,2 m
- STROMVERSORGUNG 230V-50HZ
- LEISTUNGS-AUFNAHME 12 W
- ARBEITSBEDINGUNGEN: TEMP PERP WASSER 0°C / +40°C, TEMP PERP UMGEBUNG: -10°C / +45°C
- SCHALLPEGEL 40 DB(A)
- MOTORSCHUTZ-THERMOSENSOR: 145°C ± 5°C
- WASSERANSCHLUSSDURCHMESSER: 13 mm
- NETZKABEL L 450 mm
- PUMPENHÖHE 100 mm
- BEFESTIGUNG 4 X Ø 6 mm AUF METALLPLATTE



DOWNLOAD DATASHEET

FLOW RATE: 24 l/h

DÉBIT: 24 l/h

DURCHFLUSSRATE: 24 l/s



CODE	DESCRIPTION
12170200	CENTRIFUGAL PUMP FOR BOX AIR CONDITIONERS



 **CENTRIFUGAL PUMP FLOAT**

 **FLOTTEUR DE POMPE CENTRIFUGE**

 **SCHWIMMER FÜR KREISELPUMPE**

TECHNICAL SPECIFICATIONS

- CONTACT NCL
- FLOAT STROKE 11 mm
- CONTACT RATING 50 VA / 50 W
- MAX. VOLTAGE 200V (DC) 265V (AC)
- MAX. CURRENT 1.0 A (DC) 0.6 A (AC)
- OPERATING TEMP. -10°C +60°C
- FOR WATER FLUIDS (DENSITY 1.0)
- 2-WIRE CABLE L 2000 mm
- CLOSURE BY NUT AND LOCKNUT WITH SEALING GASKET

CARACTÉRISTIQUES TECHNIQUES

- CONTACT NC
- COURSE DU FLOTTEUR 11 mm
- CAPACITÉ DE CONTACT 50 VA / 50 W
- TENSION MAX. 200 V (CC) 265 V (CA)
- COURANT MAX. 1,0 A (CC) 0,6 A (CA)
- TEMPÉR. DE FONCTION. -10°C +60°C
- POUR FLUIDES AQUEUX (DENSITÉ 1,0)
- CÂBLE À 2 FILS L 2 000 mm
- FERMETURE PAR ÉCROU ET CONTRE-ÉCROU AVEC JOINT D'ÉTANCHÉITÉ

TECHNISCHE EIGENSCHAFTEN

- CONTACT NC
- COURSE DU FLOTTEUR 11 mm
- CAPACITÉ DE CONTACT 50 VA / 50 W
- TENSION MAX. 200 V (CC) 265 V (CA)
- COURANT MAX. 1,0 A (CC) 0,6 A (CA)
- TEMPÉR. DE FONCTION. -10°C +60°C
- POUR FLUIDES AQUEUX (DENSITÉ 1,0)
- CÂBLE À 2 FILS L 2 000 mm
- FERMETURE PAR ÉCROU ET CONTRE-ÉCROU AVEC JOINT D'ÉTANCHÉITÉ



DOWNLOAD DATASHEET

DIMENSIONS [MM]

- FLOAT BLOCK: Ø 25 mm H 44 mm (CABLE EXCLUDED)

DIMENSIONS [MM]

- BLOC FLOTTANT: Ø 25 mm H 44 mm (CÂBLE EXCLU)

DIMENSIONS [MM]

- SCHWIMMERBLOCK: Ø 25 mm H 44 mm (KABEL AUSGESCHLOSSEN)

CODE	DESCRIPTION
12170210	CENTRIFUGAL PUMP FLOAT

 **SILICONE HOSE**
for peristaltic pumps

 **TUYAU EN SILICONE**
pour pompes péristaltiques

 **SILIKONSCHLAUCH**
für peristaltische Pumpen



DOWNLOAD DATASHEET

CODE	DESCRIPTION
12170032	SILICONE HOSE

 **PLASTIC HOSE CONNECTION**
for centrifugal pumps

 **PORTE-TUBE EN PLASTIQUE**
pour pompes centrifuges

 **SCHLAUCHHALTERUNG AUS KUNSTSTOFF**
für Kreiselpumpen



DOWNLOAD DATASHEET

CODE	DESCRIPTION
RIC00039	PLASTIC HOSE CONNECTION

PUMPS SMARTFLOW



Capacity from
20 - 30 - 40 Lt/hr

Upper condensate
Inlet

Low noise from
29 Db(a) to 53 dB(A)

Inspection cover

Condensate drain
Connection

Inspectable tank,
Equipped with
Removable filter

Power cable + alarm

Lower inlet
For condensate water

Abs plastic body

Base for
Anti-vibration with wall
installation



AVAILABLE IN AN
8-PIECE COUNTER
DISPLAY

LOW NOISE
DA 29 A 53 dB(A)

FLOW RATE
20 - 30 - 40 liters/hour

SMART FLOW - SF 20 - 30 - 40 LT



CONDENSATE COLLECTION PUMP



POMPE DE COLLECTE DE CONDENSATS



KONDENSATSAMMELPUMPE

TECHNICAL SPECIFICATIONS

- POWER SUPPLY 230V - 50HZ
- ALARM CONTACT C-NO 6A
- PROTECTION RATING IP X7
- PUMP DIMENSIONS 143 X 76 X 62,3 mm
- CONNECTION HOSE FOR SMART FLOW-SF PUMP 20 Ø 4 X 6 mm
- CONNECTION HOSE FOR SMART FLOW-SF PUMP 30-40 Ø 6 X 9,25 mm

CARACTÉRISTIQUES TECHNIQUES

- ALIMENTATION 230 V - 50 HZ
- CONTACT D'ALARME C-NO 6A
- INDICE DE PROTECTION IP X7
- DIMENS. DE LA POMPE 143 X 76 X 62,3 mm
- TUYAU DE RACCORDEMENT POUR POMPE SMART FLOW-SF 20 Ø 4 X 6 mm
- TUYAU DE RACCORDEMENT POUR POMPE SMART FLOW-SF 30-40 Ø 6 X 9,25 mm

TECHNISCHE EIGENSCHAFTEN

- STROMVERSORGUNG 230V - 50HZ
- C-NO 6A ALARMKONTAKT
- SCHUTZART IP X7
- PUMPENABMESSUNGEN 143 X 76 X 62,3 mm
- ANSCHLUSSSCHLAUCH FÜR POMPE SMART FLOW-SF 20 Ø 4 X 6 mm
- ANSCHLUSSSCHLAUCH FÜR POMPE SMART FLOW-SF 30-40 Ø 6 X 9,25 mm

AVAILABLE IN AN 8-PIECE COUNTER DISPLAY

DISPONIBLE DANS UN PRÉSENTOIR DE COMPTOIR DE 8 PIÈCES

ERHÄLTICH IN EINEM 8-TEILIGEN THEKENAUSSTELLER

APPLICATIONS

- ✓ COLUMN AIR CONDITIONERS
- ✓ REFRIGERANT DISPLAY CABINETS
- ✓ REFRIGERATED CABINETS
- ✓ FRIDGE COUNTERS
- ✓ EVAPORATORS
- ✓ CEILING-MOUNTED AIR CONDITIONERS

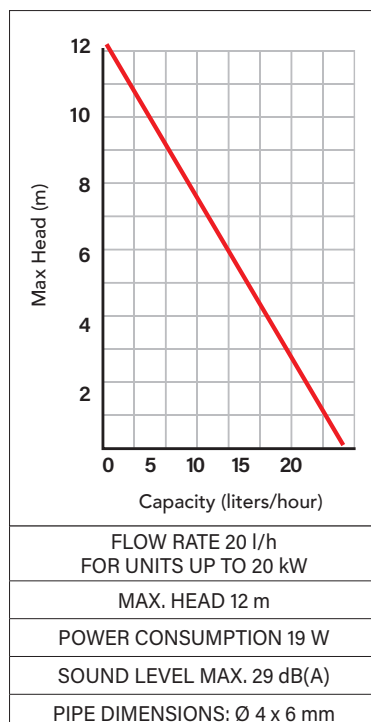


MADE IN ITALY

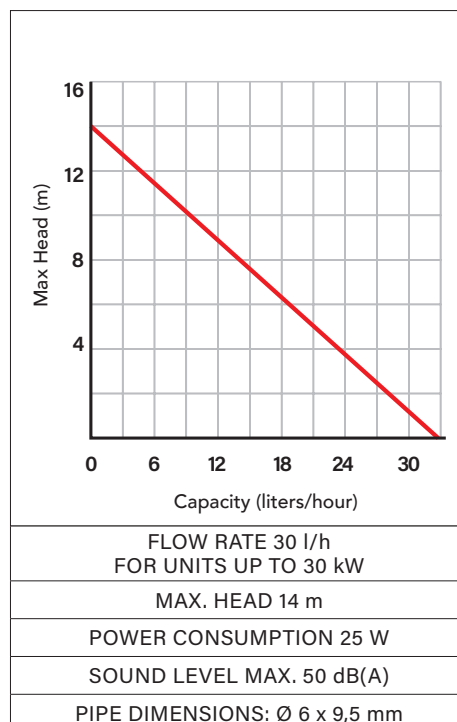


DOWNLOAD DATASHEET

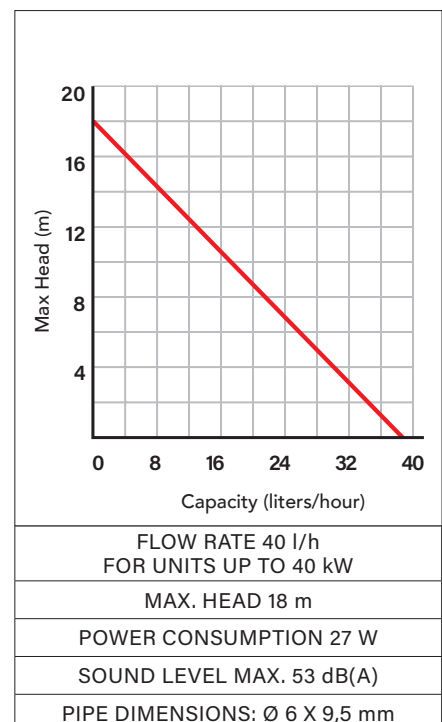
SF 20 LT.



SF 30 LT.

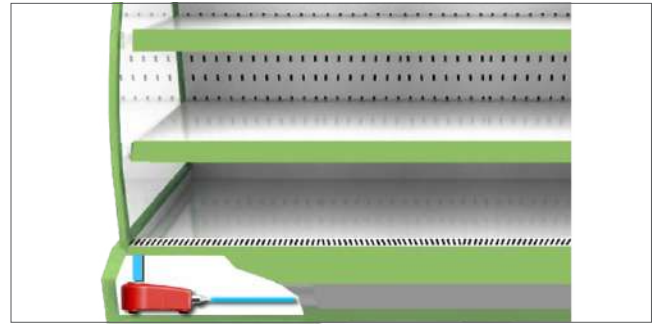


SF 40 LT.





PUMP INSIDE THE TRAY CONDENSATE INLET ON THE BOTTOM OF THE PUMP



PUMP INSIDE THE TRAY CONDENSATE INLET ON THE TOP OF THE PUMP

CODE	DESCRIPTION
12170105	"SMART FLOW-SF 20 lt" CONDENSATE COLLECTION PUMP
12170106	"SMART FLOW-SF 30 lt" CONDENSATE COLLECTION PUMP
12170107	"SMART FLOW-SF 40 lt" CONDENSATE COLLECTION PUMP

SMART FLOW - SF 15 A LT



ACID CONDENSATE WATER PUMP



POMPE POUR EAU DE CONDENSAT ACIDE



KONDENSATPUMPE FÜR SAURES WASSER

TECHNICAL SPECIFICATIONS

- FLOW RATE 15 l/h
- POWER SUPPLY 230V - 50Hz
- ALARM CONTACT 8A CO-NO
- POWER CONSUMPTION 19 W
- PROTECTION RATING IP67
- MAX NOISE LEVEL 29 [dB(A)]
- MAX. 10 M VERTICAL DELIVERY
- Ø CONNECTION PIPE (mm) Ø INTERNAL 4 / Ø EXTERNAL 6
- DIMENSIONS W 143 X H 62,3 X D 76 mm
- MAX WATER TEMPERATURE 55° C
- RESIN COATED ELECTRICAL PARTS
- UPPER WATER INLET
- NON-CONTINUOUS OPERATION
- POWER CORD LENGTH 1400 mm

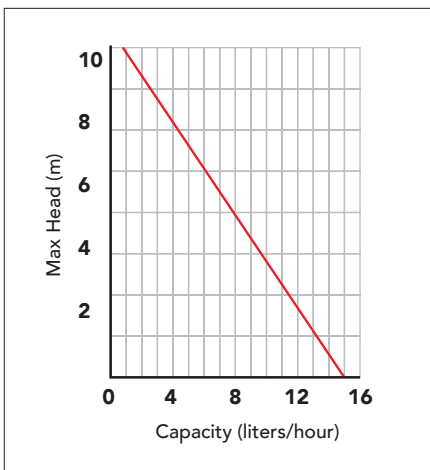
CARACTÉRISTIQUES TECHNIQUES

- DÉBIT 15 l/h
- ALIMENTATION 230 V - 50 Hz
- CONTACT D'ALARME 8A CO-NO
- CONSOMMATION ÉLECTRIQUE 19 W
- DEGRÉ DE PROTECTION IP67
- NIVEAU SONORE MAXIMAL 29 [dB(A)]
- ALIMENTATION MAX. 10 M VERTICALEMENT
- TUBE DE RACCORDEMENT Ø (mm) Ø INTERNE 4 / Ø EXTERNE 6
- DIMENSIONS L 143 X H 62,3 X P 76 mm
- TEMPÉRATURE MAXIMALE DE L'EAU 55° C
- REVÊTEMENT EN RÉSINE DES PIÈCES ÉLECTRIQUES
- ENTRÉE D'EAU SUPÉRIEURE
- FONCTIONNEMENT NON CONTINU
- LONGUEUR DU CÂBLE D'ALIMENTATION 1400 mm

TECHNISCHE EIGENSCHAFTEN

- FÖRDERMENGE 15 l/h
- STROMVERSORGUNG 230V - 50Hz
- 8A CO-NO ALARMKONTAKT
- LEISTUNGS-AUFNAHME 19 W
- SCHUTZART IP67
- MAX. SCHALLPEGEL 29 [dB(A)]
- MAX. ZUFUHR VERTIKAL 10 m
- ANSCHLUSSROHR Ø (mm) INNEN-Ø 4 / AUSSEN-Ø 6
- ABMESSUNGEN B 143 X H 62,3 X T 76 mm
- MAX. WASSERTEMPERATUR 55° C
- HARZBESCHICHTUNG ELEKTRISCHER TEILE
- OBERER WASSEREINLASS
- NICHT KONTINUIERLICHER BETRIEB
- NETZKABELLÄNGE 1400 mm

SF 15 A



MADE IN ITALY



FLOW RATE 15 l/h
MAX. 10 M VERTICAL DELIVERY
POWER CONSUMPTION 19 W
MAX NOISE LEVEL 29 [dB(A)]
Ø CONNECTION PIPE (MM) Ø INTERNAL 4 / Ø EXTERNAL 6



DOWNLOAD DATASHEET

CODE	DESCRIPTION
SGD600001	ACID CONDENSATE WATER PUMP SMART FLOW - SF 15 A

CENTRIFUGAL PUMPS WITH TANK

Sound level
From 56 dB(A) to 59 dB(A)

Power cable

Upper inlets for condensate pipe

Cables for connecting the alarm's micro
switch

Plastic impeller



Water TANK

Electric motor

Capacity from 120 lt/hr
up to 460 lt/hr

2 Holes for wall mounting

Connection for condensate
drain pipe \varnothing 8 x 12 mm

Tank from 0.2lt to 3lt

Inspectable and washable
condensate collection tank

TS 120 - 200 - 380 - 460



CENTRIFUGAL PUMP WITH
CONDENSATE TANK



POMPE CENTRIFUGE AVEC RÉSERVOIR
POUR EAU DE CONDENSATION



KREISELPUMPE MIT
KONDENSATBEHÄLTER

TECHNICAL SPECIFICATIONS

- POWER SUPPLY 230V - 50HZ
- PROTECTION RATING IPX4
- LIQUID LIMIT TEMPERATURE 43°C
- BUILT-IN NON-RETURN VALVE
- POWER CORD LENGTH 1.7 m
- EXHAUST PIPE OUTPUT 8 mm INTERNAL - 12 MM EXTERNAL

CARACTÉRISTIQUES TECHNIQUES

- ALIMENTATION 230 V - 50 HZ
- DEGRÉ DE PROTECTION IPX4
- TEMPÉRATURE LIMITE DU LIQUIDE 43°C
- CLAPET ANTI-RETOUR INTÉGRÉ
- LONG. DU CÂBLE D'ALIMENTATION 1,7 m
- SORTIE DE TUYAU D'ÉCHAPPEMENT 8 mm À L'INTÉRIEUR - 12 MM À L'EXTÉRIEUR.

TECHNISCHE EIGENSCHAFTEN

- STROMVERSORGUNG 230V - 50HZ
- SCHUTZART IPX4
- FLÜSSIGKEITSGRENZTEMPERATUR 43°C
- EINGEBAUTES RÜCKSCHLAGVENTIL
- NETZKABELLÄNGE 1,7 M
- AUSLASS FÜR ABLASSROHR 8 MM INNEN - 12 MM AUSSEN

ALSO FOR BOILER ACID
CONDENSATE WATER

ÉGALEMENT POUR L'EAU DE
CONDENSATION ACIDE DES CHAUDIÈRES

AUCH FÜR SAURES KONDENSWASSER
DES KESSELS.

DUAL NC 24 V AC MAX
ALARM CONTACT

DOUBLE CONTACT D'ALARME NC
24 VCA MAX

DOPPELTER ALARMKONTAKT
NC 24 VAC MAX

Water



TANK

CE



APPLICATIONS

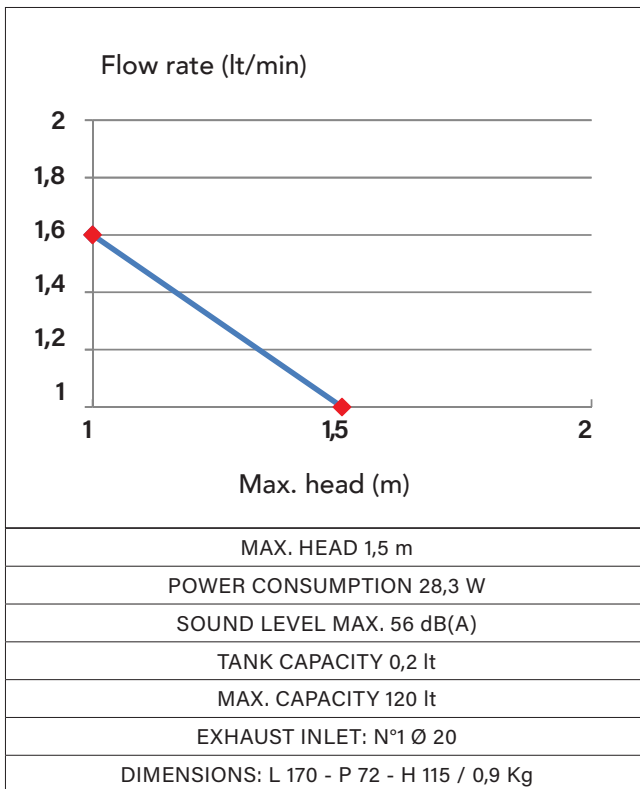
- ✓ COLUMN AIR CONDITIONERS
- ✓ REFRIGERANT DISPLAY CABINETS
- ✓ REFRIGERATED CABINETS
- ✓ EVAPORATORS
- ✓ CEILING-MOUNTED AIR CONDITIONERS
- ✓ CONDENSATION BOILERS



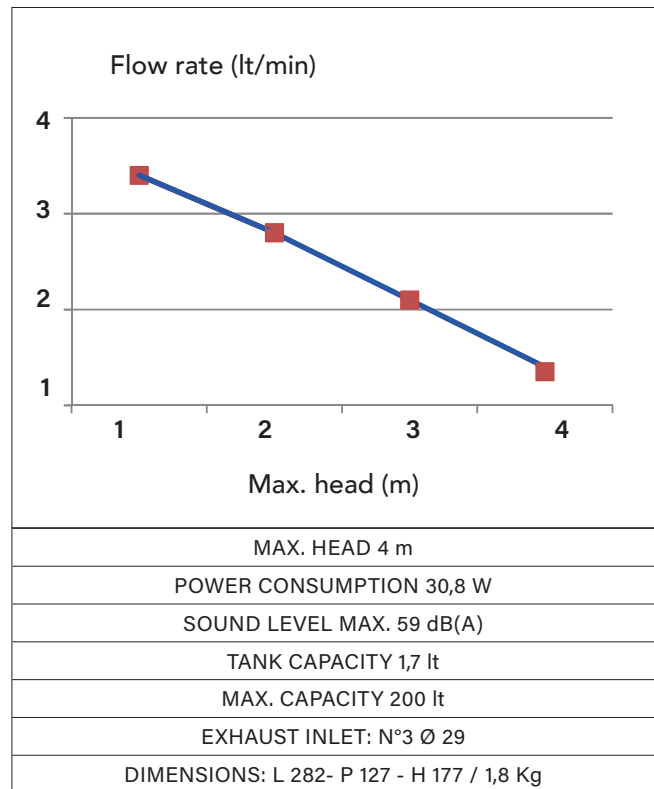
DOWNLOAD
DATASHEET

CODE	DESCRIPTION
12170027	TS 120 CENTRIFUGAL PUMP WITH CONDENSATE TANK
12170013	TS 200 CENTRIFUGAL PUMP WITH CONDENSATE TANK
12170012	TS 380 CENTRIFUGAL PUMP WITH CONDENSATE TANK
12170011	TS 460 CENTRIFUGAL PUMP WITH CONDENSATE TANK

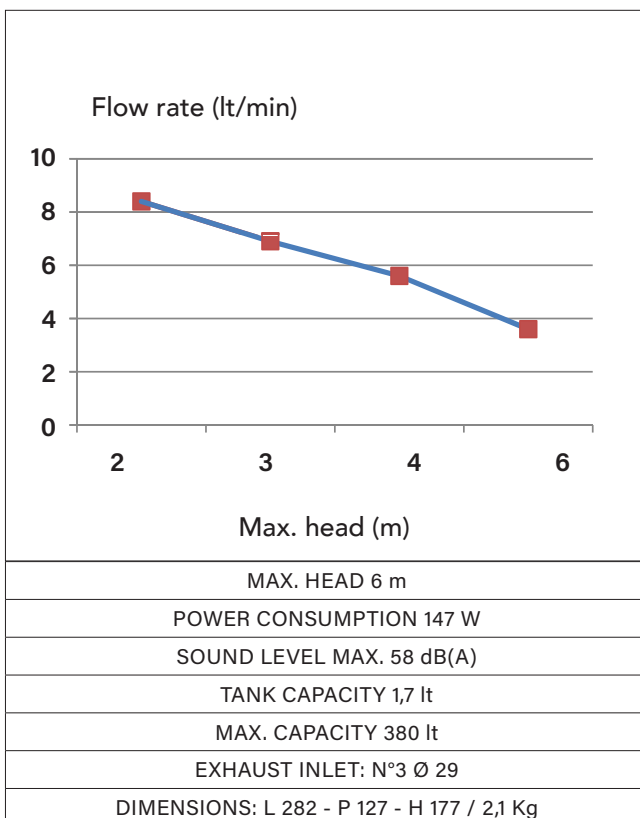
TS 120



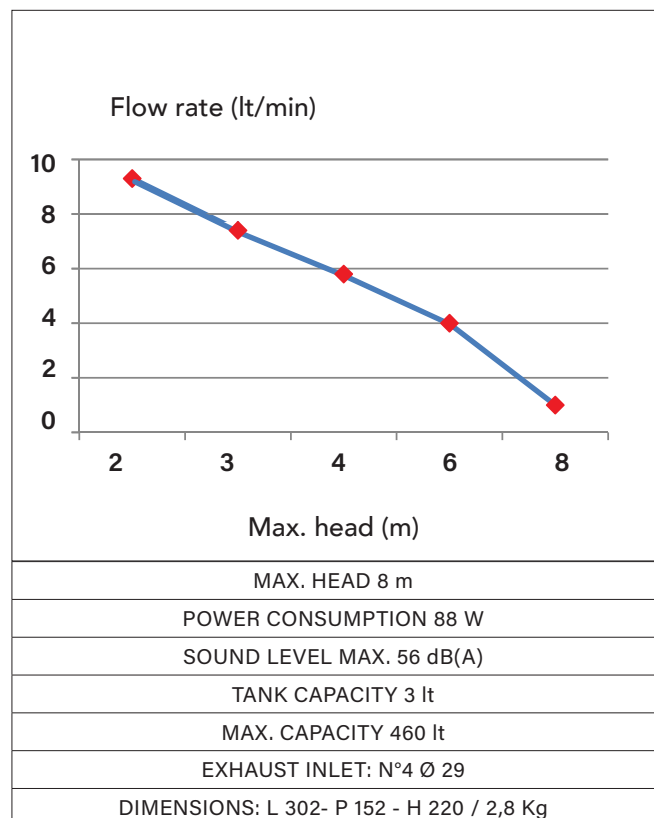
TS 200



TS 380



TS 460



RW MINI



MIST PUMP FOR ENERGY SAVING

POWER SUPPLY: 230V / 50Hz
 MAX PRESSURE: 15 bar
 MAX FLOW RATE: 7 l/h
 MAX SOUND LEVEL 53 dB (A)
 POWER CONSUMPTION: 47 W
 PROTECTION RATING: IP 55

DIMENSIONS

H: 250 mm
 L: 250 mm
 D: 90 mm

LEGEND

- A** INTERNAL UNIT
- B** RW MINI NEBULIZER
- C** EXTERNAL UNIT
- D** NEBULIZER NOZZLE
- E** BACK OF THE EXTERNAL UNIT



POMPE BRUMISEUR POUR ÉCONOMIE D'ÉNERGIE

ALIMENTATION: 230V / 50Hz
 CONSOMMATION ÉLECTRIQUE 47 W
 DEGRÉ DE PROTECTION IP20
 NIVEAU SONORE MAXIMAL 59 [dB(A)]
 DÉBIT MAXI 7 l/h
 PRESSION MAX 15 bar

DIMENSIONS

H: 250 mm
 L: 250 mm
 P: 90 mm



NEBELPUMPE ZUR ENERGIESPARUNG

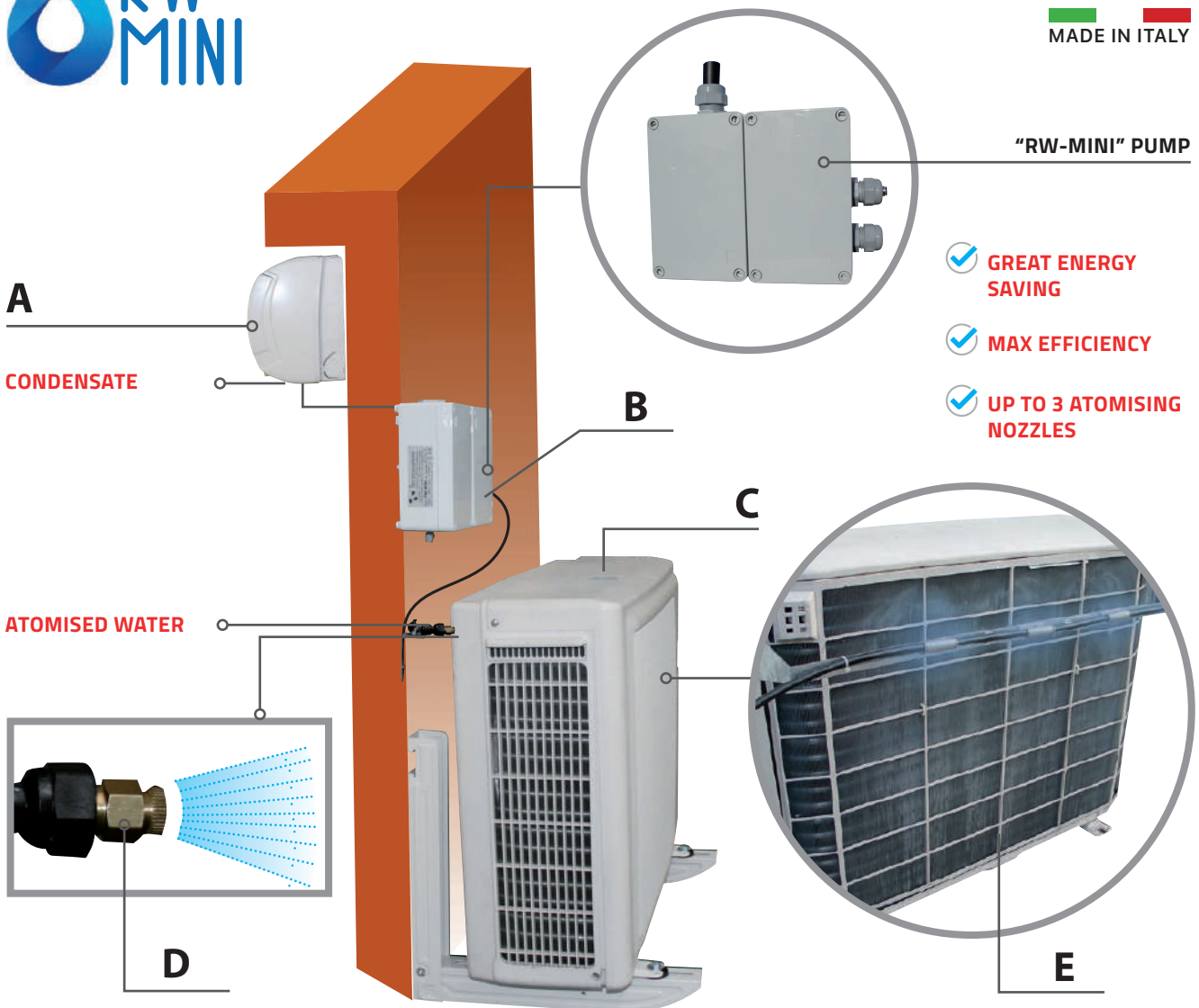
STROMVERSORGUNG 230V - 50Hz
 LEISTUNGS-AUFNAHME 47 W
 SCHUTZART IP20
 MAX. SCHALLPEGEL 59 [dB(A)]
 MAX. FÖRDERMENGE 7 l/h
 DRUCK MAX. 15 bar

ABMESSUNGEN

HÖHE: 250 mm
 L: 250 mm
 T: 90 mm



MADE IN ITALY



 NEBULISER PUMP
FOR ENERGY SAVING

IDEAL FOR
DISPOSING OF THE WATER
ON TERRACES, BALCONIES, ETC.

 POMPE DE NÉBULISEUR
POUR ÉCONOMIE D'ÉNERGIE

IDÉAL POUR
L'ÉVACUATION DE L'EAU SUR
LES TERRASSES, LES BALCONS, ETC.

 ZERSTÄUBERPUMPE ZUR
ENERGIEEINSPARUNG

IDEAL FÜR DIE
BESEITIGUNG VON WASSER
AUF TERRASSEN, BALKONEN USW

 MADE IN ITALY

CE





DOWNLOAD
DATASHEET



CODE	DESCRIPTION
12170070	"RW MINI" NEBULISER PUMP FOR ENERGY SAVING

 KIT NEBULISER PUMP FOR
ENERGY SAVING

KIT CONSISTING OF

- **COD.12170070** RW MINI EPUMP FOR ENERGY SAVING FOR RESIDENTIAL SYSTEMS 1 PC.
- **COD.12170077** HIGH PRESSURE HOSE Ø 6 X 4 mm L = 5 m IN POLYAMIDE 1 PC.
- **COD.12170086** QUICK COUPLING FITTING NOZZLE HOLDER 90° 1 THREADED HOLE 1/8 NPT FOR 4 X 6 mm HOSE 3 PCS.
- **COD.12170088** QUICK COUPLING FITTING 90° JOINT FOR 6 X 4 mm HOSE 1 PC.
- **COD.12170089** QUICK COUPLING "T" JOINT FOR PIPE 6 X 4 mm 2 PCS.
- **COD.12170091** SPRAY NOZZLE SIZE 0.4 (1/8NTP THREAD) 3 PCS.

 KIT POMPE DE NÉBULISEUR
POUR ÉCONOMIE D'ÉNERGIE

KIT COMPOSÉ DE

- **COD.12170070** POMPE DE NÉBULISEUR À ÉCONOMIE D'ÉNERGIE RW MINI POUR SYSTÈMES RÉSIDENTIELS 1 PC
- **COD.12170077** TUYAU HAUTE PRESSION Ø 6 X 4 mm L = 5 m EN POLYAMIDE 1 PC
- **COD.12170086** RACCORD RAPIDE PORTE BUSE 90° 1 TROU TARAUDÉ 1/8 NPT POUR TUYAU 4 X 6 mm 3 PCS
- **COD.12170088** RACCORD RAPIDE À 90° DE JONCTION POUR TUYAU 6 X 4 mm 1 PC
- **COD.12170089** RACCORD RAPIDE EN « T » DE JONCTION POUR TUYAU 6 X 4 mm 2 PCS
- **COD.12170091** BUSE DE PULVÉRISATION TAILLE 0,4 (FILETAGE 1/8NTP) 3 PCS

 ENERGIESPARENDES
SPRÜHPUMPENSATZ

BAUSATZ BESTEHEND AUS

- **COD.12170070** ENERGIEEINSPARENDE VERNEBLERPUMPE RW MINI FÜR WOHNANLAGEN STK. 1
- **COD.12170077** HOCHDRUCKROHR Ø 6 X 4 mm L = 5 m AUS POLYAMID STK. 1
- **COD.12170086** SCHNELLKUPPLUNGSANSCHLUSS DÜSENHALTER 90° 1 GEWINDEBOHRUNG 1/8 NPT FÜR ROHR 4 X 6
- **COD.12170088** SCHNELLKUPPLUNG 90°-ANSCHLUSS FÜR ROHR 6 X 4 mm STK. 1
- **COD.12170089** SCHNELLKUPPLUNG „T“-ANSCHLUSS FÜR ROHR 6 X 4 mm STK. 2
- **COD.12170091** SPRÜHDÜSENGRÖSSE 0,4 (1/8NTP-GEWINDE) STK. 3



 MADE IN ITALY

CE



DOWNLOAD
DATASHEET

CODE	DESCRIPTION
12170071	"RW MINI" KIT NEBULISER PUMP FOR ENERGY SAVING



ACCESSORIES



DOWNLOAD DATASHEET



HIGH PRESSURE HOSE

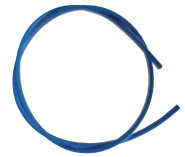


TUYAU HAUTE PRESSION



HOCHDRUCKSCHLAUCH

CODE	DESCRIPTION
12170076	HIGH PRESSURE HOSE Ø4x6 mm L=25 m
12170077	HIGH PRESSURE HOSE Ø4x6 mm L=5 m



DOWNLOAD DATASHEET



90° NOZZLE HOLDER FITTING



RACCORD PORTE-GRILLE À 90°



90°-DÜSENHALTERUNGSVERSCHRAUBUNG

CODE	DESCRIPTION
12170086	90° NOZZLE HOLDER FITTING



DOWNLOAD DATASHEET



COUPLING FITTING



RACCORD DE JONCTION



ANSCHLUSSVERSCHRAUBUNG

CODE	DESCRIPTION
12170087	COUPLING FITTING Ø4X6 mm



DOWNLOAD DATASHEET



90° FITTING



RACCORD À 90°



90°-VERSCHRAUBUNG

CODE	DESCRIPTION
12170088	90° FITTING Ø4X6 mm



DOWNLOAD DATASHEET



"T" FITTING



RACCORD EN "T"



"T"-VERSCHRAUBUNG

CODE	DESCRIPTION
12170089	"T" FITTING Ø4X6 mm



DOWNLOAD DATASHEET



END OF LINE CAP FOR FITTINGS



BOUCHON DE FIN DE LIGNE POUR RACCORDS



LEITUNGSENDKAPPE FÜR VERSCHRAUBUNG

CODE	DESCRIPTION
12170090	END OF LINE CAP FOR FITTINGS Ø4X6 mm



DOWNLOAD DATASHEET



SPRAY NOZZLE



BUSE DE PULVÉRISATION



SPRÜHDÜSE

CODE	DESCRIPTION
12170091	SPRAY NOZZLE



THREAD 1/8" NPT



DOWNLOAD DATASHEET



TELESCOPIC BAR FOR FIXING NOZZLES



BARRE TÉLESCOPIQUE POUR LA FIXATION DE BUSES



TELESKOPSTANGE ZUR BEFESTIGUNG VON DÜSEN

CODE	DESCRIPTION
12170092	TELESCOPIC BAR FOR FIXING NOZZLES



PUMP KIT IN TRUNKING



MADE IN ITALY



INSTALLATION TRUNKING



LAYING PIPES AND PUMP



TRUNKING CLOSING INSTALLATION FINISHED

EXAMPLE OF INSTALLATION

THE KIT INCLUDES

- WITH EXCELLENCE TRUNKING -

- CORNER TERMINAL
- TA72 EXC. NEW LINE - 1 PC
- FLAT ELBOW
- CP72 EXC. NEW LINE - 1 PC
- STRETCH OF DUCT
- T72 EXC. NEW LINE cm 70 - 1 PC
- STRETCH OF DUCT
- T72 EXC. NEW LINE cm 15 - 1 PC
- BLOCK PIPE CLAMP
- T72 - 2 PCS
- MINI PUMP EASY FLOW 11 lt - 1 PC
- FASTENING KIT FOR EASY FLOW

- WITH OPTIMA TRUNKING -

- CORNER TERMINAL
- TA75 OPT. - 1 PC
- FLAT ELBOW
- CP75 OPT. - 1 PC
- STRETCH OF DUCT
- T75 OPT. cm 70 - 1 PC
- STRETCH OF DUCT
- T75 OPT. cm 15 - 1 PC
- BLOCK PIPE CLAMP
- T72 - 2 PCS
- MINI PUMP EASY FLOW 11 lt - 1 PC
- FASTENING KIT FOR EASY FLOW

LE KIT COMPREND

- AVEC GOULOTTE EXCELLENCE -

- BORNE D'ANGLE
- TA72 EXC. NEW LINE - 1 PC
- COURBE PLATE
- CP72 EXC. NEW LINE - 1 PC
- ÉPAISSEUR DE GOULOTTE
- T72 EXC. NEW LINE cm 70 - 1 PC
- ÉPAISSEUR DE GOULOTTE
- T72 EXC. NEW LINE cm 15 - 1 PC
- COLLIERS DE SERRAGE BLOCK POUR GOULOTTE
- T72 - 2 PCS
- MINI POMPA EASY FLOW 11 lt - 1 PC
- KIT DE FIXATION POUR MINI POMPE

- AVEC GOULOTTE OPTIMA -

- BORNE D'ANGLE
- TA75 OPT. - 1 PC
- COURBE PLATE
- CP75 OPT. - 1 PC
- ÉPAISSEUR DE GOULOTTE
- T75 OPT. cm 70 - 1 PC
- ÉPAISSEUR DE GOULOTTE
- T75 OPT. cm 15 - 1 PC
- COLLIERS DE SERRAGE BLOCK POUR GOULOTTE
- T72 - 2 PCS
- MINI POMPE EASY FLOW 11 lt - 1 PC
- KIT DE FIXATION POUR MINI POMPE

DER BAUSATZ BEINHÄLTET

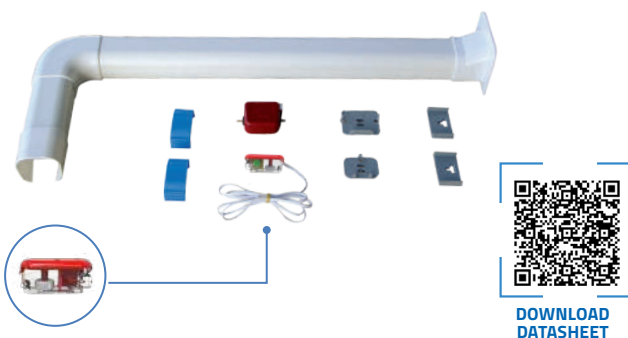
- MIT EXCELLENZ-KANAL -

- WINKELKLEMME
- TA72 EXC. NEW LINE - 1 STK.
- FLACHE KURVE
- CP72 EXC. NEW LINE - 1 STK.
- KANALSTÜCK
- T72 EXC. NEW LINE cm 70 - 1 STK.
- KANALSTÜCK
- T72 EXC. NEW LINE cm 15 - 1 STK.
- BLOCK-ROHRSCHELLEN FÜR KANAL
- T72 - 2 STK.
- MINI-PUMPE EASY FLOW 11 lt 1 STÜCK
- BEFESTIGUNGSSATZ FÜR MINIPUMPE

- MIT OPTIMA-KANAL -

- WINKELKLEMME
- TA75 OPT. - 1 STK.
- FLACHE KURVE
- CP75 OPT. - 1 STK.
- KANALSTÜCK
- T75 OPT. cm 70 - 1 STK.
- KANALSTÜCK
- T75 OPT. cm 15 - 1 STK.
- BLOCK-ROHRSCHELLEN FÜR KANAL
- T72 - 2 STK.
- MINI-PUMPE EASY FLOW 11 lt PZ. 1
- BEFESTIGUNGSSATZ FÜR MINIPUMPE

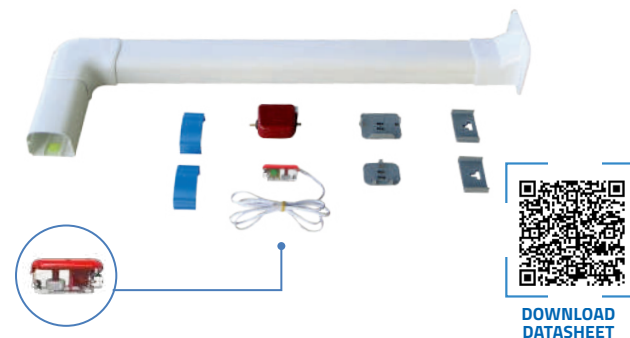
KIT WITH EXCELLENCE TRUNKING



DOWNLOAD DATASHEET

CODE	DESCRIPTION
12170042	"EASY FLOW" PUMP KIT + "EXCELLENS" DUCT

KIT WITH OPTIMA TRUNKING



DOWNLOAD DATASHEET

CODE	DESCRIPTION
12170055	"EASY FLOW" PUMP KIT + "OPTIMA" DUCT



90° M/M RIGID ELBOW FITTING FOR **EASY FLOW** PUMPS CONDENSATE DRAIN PIPES



RACCORD COUDÉ RIGIDE 90° M/M POUR TUYAUX DE DRAINAGE DE CONDENSAT POMPES **EASY FLOW**



STARRE VERSCHRAUBUNG 90°-WINKEL AG/AG FÜR KONDENSATABLASSROHRE PUMPEN **EASY FLOW**

  MADE IN ITALY

CODE	DESCRIPTION
12170145	90° M/M RIGID ELBOW FITTING FOR EASY FLOW PUMPS CONDENSATE DRAIN PIPES Ø4X6 (10 PCS. PACK)
12170146	90° M/M RIGID ELBOW FITTING FOR EASY FLOW PUMPS CONDENSATE DRAIN PIPES Ø6x9 (10 PCS. PACK)



DOWNLOAD DATASHEET



STRAIGHT M/M RIGID FITTING FOR **EASY FLOW** PUMPS CONDENSATE DRAIN PIPES



RACCORD RIGIDE DROIT M/M POUR TUYAUX DE DRAINAGE DE CONDENSAT POMPES **EASY FLOW**



GERADE STARRE VERSCHRAUBUNG AG/AG FÜR KONDENSATABLASSROHRE PUMPEN **EASY FLOW**

  MADE IN ITALY

CODE	DESCRIPTION
12170147	STRAIGHT M/M RIGID FITTING FOR EASY FLOW PUMPS CONDENSATE DRAIN PIPES Ø4X6 (10 PCS. PACK)
12170148	STRAIGHT M/M RIGID FITTING FOR EASY FLOW PUMPS CONDENSATE DRAIN PIPES Ø6x9 (10 PCS. PACK)



DOWNLOAD DATASHEET



FLEXIBLE RUBBER "S" FITTING



RACCORD EN CAOUTCHOUC FLEXIBLE EN "S"



FLEXIBLE GUMMIVERSCHRAUBUNG "S"

  MADE IN ITALY

TECHNICAL SPECIFICATIONS
<ul style="list-style-type: none"> • FOR Ø 15-20 PIPE • CAN BE USED IN ALL CONDENSATE PUMPS • SUITABLE FOR ALL CONDITIONER DRAINS

CARACTÉRISTIQUES TECHNIQUES
<ul style="list-style-type: none"> • POUR TUYAU Ø 15-20 • PEUT ÊTRE UTILISÉ DANS TOUTES LES POMPES À CONDENSAT • CONVIENT À TOUS LES DRAINS DE CLIMATISEUR

TECHNISCHE EIGENSCHAFTEN
<ul style="list-style-type: none"> • FÜR Ø 15-20 ROHR • KANN IN ALLEN KONDENSATPUMPEN VERWENDET WERDEN • GEEIGNET FÜR ALLE ABFLÜSSE VON KLIMAAANLAGEN

CODE	DESCRIPTION
12170149	FLEXIBLE RUBBER "S" FITTING (5 PCS. PACK)



DOWNLOAD DATASHEET



90° FLEXIBLE ELBOW RUBBER FITTING



RACCORD EN CAOUTCHOUC FLEXIBLE COUDÉ À 90°



FLEXIBLE GUMMIVERSCHRAUBUNG 90°-WINKEL

  MADE IN ITALY

TECHNICAL SPECIFICATIONS
<ul style="list-style-type: none"> • FOR Ø 15-20 PIPE • CAN BE USED IN ALL CONDENSATE PUMPS • SUITABLE FOR ALL CONDITIONER DRAINS

CARACTÉRISTIQUES TECHNIQUES
<ul style="list-style-type: none"> • POUR TUYAU Ø 15-20 • PEUT ÊTRE UTILISÉ DANS TOUTES LES POMPES À CONDENSAT • CONVIENT À TOUS LES DRAINS DE CLIMATISEUR

TECHNISCHE EIGENSCHAFTEN
<ul style="list-style-type: none"> • FÜR Ø 15-20 ROHR • KANN IN ALLEN KONDENSATPUMPEN VERWENDET WERDEN • GEEIGNET FÜR ALLE ABFLÜSSE VON KLIMAAANLAGEN

CODE	DESCRIPTION
12170150	90° FLEXIBLE ELBOW RUBBER FITTING (5 PCS. PACK)



DOWNLOAD DATASHEET



FLEXIBLE VIBRATION DAMPING RUBBER FOR WALL MOUNTING **SMART FLOW PUMP**



CAOUTCHOUC ANTI-VIBRATIONS FLEXIBLE POUR MONTAGE MURAL D'UNE POMPE **SMART FLOW**



FLEXIBLER ANTI-VIBRATIONS-GUMMI FÜR DIE WANDMONTAGE EINER PUMPE **SMART FLOW**

TECHNICAL SPECIFICATIONS

- IT ALLOWS THE PUMP TO BE FIXED TO ANY WALL, ABSORBING VIBRATIONS

CARACTÉRISTIQUES TECHNIQUES

- PERMET À LA POMPE D'ÊTRE FIXÉE À N'IMPORTE QUEL MUR, EN ABSORBANT LES VIBRATIONS

TECHNISCHE EIGENSCHAFTEN

- ES ERMÖGLICHT IHNEN, DIE DER PUMPE AN EINER BELIEBIGEN WAND ZU BEFESTIGEN UND VIBRATIONEN ZU ABSORBIEREN

MADE IN ITALY

CODE	DESCRIPTION
12170151	FLEXIBLE VIBRATION DAMPING RUBBER FOR WALL MOUNTING SMART FLOW PUMP (5 PCS. PACK)



[DOWNLOAD DATASHEET](#)

LAMPO



FASTENING KIT FOR MINI PUMP **EASY FLOW**

IN TRUNKING T72 EXCELLENS SERIES



KIT DE FIXATION POUR MINI POMPE **EASY FLOW**

DANS GOULOTTE SÉRIE T72 EXCELLENS



BEFESTIGUNGSSATZ FÜR MINIPUMPE **EASY FLOW**

IN KANAL SERIE T72 EXCELLENS

THE KIT CONSISTS OF

- TWO COUPLING SPRINGS AT BASE OF DUCT (DETAIL B)
- A PUMP COUPLING PLATE (DETAIL A)
- A FLOAT COUPLING PLATE (DETAIL C)
- THIS KIT IS NOT USABLE FOR EASY FLOW MOD PUMPS. 30 lt AND 40 lt

LE KIT SE COMPOSE DE

- DEUX RESSORTS D'ACCOUPEMENT AU FOND DU CONDUIT (DÉTAIL B)
- UNE PLAQUE D'ACCOUPEMENT DE POMPE (DÉTAIL A)
- UNE PLAQUE DE FIXATION DU CORPS FLOTTANT (DÉTAIL C)
- CE KIT N'EST PAS UTILISABLE POUR LES POMPES EASY FLOW MOD. 30 lt ET 40 lt

DER BAUSATZ BESTEHT AUS

- ZWEI EINHAKEFEDERN AM BODEN DES KANALS (DETAIL B)
- EINE BEFESTIGUNGSPLATTE DER PUMPE (DETAIL A)
- EINE BEFESTIGUNGSPLATTE DES SCHWIMMKÖRPERS (DETAIL C)
- DIESES BAUSATZ EIGNET SICH NICHT FÜR PUMPEN EASY-FLOW MOD. 30 lt UND 40 lt

FAST



FASTENING KIT FOR MINI PUMP **EASY FLOW**

IN TRUNKING T75 OPTIMA SERIES



KIT DE FIXATION POUR MINI POMPE **EASY FLOW LUSSO**

DANS GOULOTTE SÉRIE T75 OPTIMA



BEFESTIGUNGSSATZ FÜR MINIPUMPE **EASY FLOW**

IN KANAL SERIE T75 OPTIMA

THE KIT CONSISTS OF

- A SPRING WITH COUPLING PLATE FOR PUMP LOCK
- A SPRING WITH COUPLING PLATE FOR FLOAT
- THIS KIT IS NOT USABLE FOR EASY FLOW MOD PUMPS. 30 lt AND 40 lt

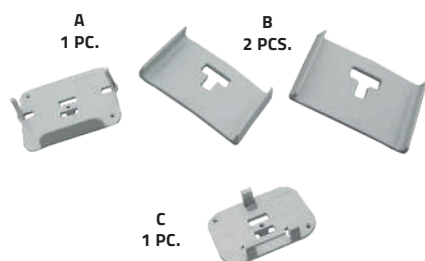
LE KIT SE COMPOSE DE

- UN RESSORT AVEC PLAQUE D'ACCOUPEMENT POUR BLOC-POMPE
- RESSORT AVEC PLAQUE D'ACCROCHAGE POUR CORPS FLOTTANT
- CE KIT N'EST PAS UTILISABLE POUR LES POMPES EASY FLOW MOD. 30 lt ET 40 lt

DER BAUSATZ BESTEHT AUS

- EINE FEDER MIT KUPPLUNGSPLATTE FÜR PUMPENBLOCK
- EINE FEDER MIT HAKENPLATTE FÜR SCHWIMMKÖRPER
- DIESES BAUSATZ EIGNET SICH NICHT FÜR PUMPEN EASY-FLOW MOD. 30 lt UND 40 lt

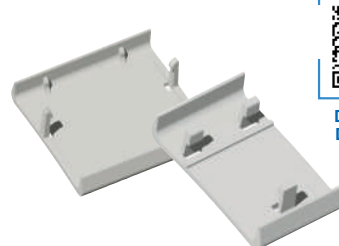
KIT LAMPO



[DOWNLOAD DATASHEET](#)

CODE	DESCRIPTION
12170041	LAMPO - FASTENING KIT FOR MINI PUMP EASY FLOW - IN TRUNKING T72 EXCELLENS SERIES

KIT FAST



[DOWNLOAD DATASHEET](#)

CODE	DESCRIPTION
12170047	FAST - FASTENING KIT FOR MINI PUMP EASY FLOW - IN TRUNKING T75 OPTIMA SERIES



PUMP ACCESSORIES EASY FLOW - AQUA SPLIT



ACCESSOIRES POMPES EASY FLOW - AQUA SPLIT



EASY FLOW / AQUA SPLIT PUMPENZUBEHÖR

THE KIT CONSISTS OF

- PUMP FASTENING WALL BRACKET 1 PC.
- FLOAT FASTENING WALL BRACKET 1 PC.
- RUBBER FITTING SLEEVE 1 PC.
- DOUBLE-SIDED ADHESIVE 2 PCS.

LE KIT SE COMPOSE DE

- SUPPORT DE FIXATION DE POMPE 1 PC.
- SUPPORT DE FIXATION FLOTTEUR 1 PC.
- MANCHON EN CAOUTCHOUC 1 PC.
- ADHÉSIFS DOUBLE FACE POUR FIXATION 2 PCS.

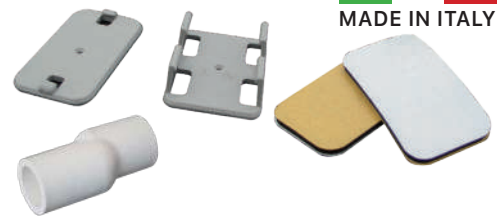
DER BAUSATZ BESTEHT AUS

- BEFESTIGUNGSWANDKONSOLE FÜR PUMPE 1 STK.
- N°1 STAFFA FISSAGGIO GALLEGGIANTE 1 STK.
- N°1 MANICOTTO DI RACCORDO IN GOMMA 1 STK.
- DOPPELSEITIGES KLEBEBAND ZUR BEFESTIGUNG 2 STK.

CODE	DESCRIPTION
RIC00040	PUMP ACCESSORIES KIT EASY FLOW 7-11-15-20 / AQUA SPLIT 11
RIC00041	PUMP ACCESSORIES KIT EASY FLOW 30-40



DOWNLOAD
DATASHEET



LAMPO GREEN



FASTENING KIT FOR EASY ONE PUMP

IN TRUNKING T72 EXCELLENS SERIES



KIT DE FIXATION POUR POMPE EASY ONE

DANS GOULOTTE SÉRIE T72 EXCELLENS



BEFESTIGUNGSSATZ FÜR EASY ONE PUMPE

IN KANAL SERIE T72 EXCELLENS

THE KIT CONSISTS OF

- A COUPLING SPRING AT THE BOTTOM OF THE TRUNKING (DETAIL A)
- A PUMP COUPLING PLATE (DETAIL B)

LE KIT SE COMPOSE DE

- UN RESSORT DE COUPLAGE AU FOND DE LA GOULOTTE (DÉTAIL A)
- UNE PLAQUE D'ACCOUPLMENT DE POMPE (DÉTAIL B)

DER BAUSATZ BESTEHT AUS

- EINE KUPPLUNGSFEDER AM BODEN DES KANALS (DETAIL A)
- EINE BEFESTIGUNGSPLATTE DER PUMPE (DETAIL B)

FAST GREEN



FASTENING KIT FOR EASY ONE PUMP

IN TRUNKING T75 OPTIMA SERIES



KIT DE FIXATION POUR POMPE EASY ONE

DANS GOULOTTE SÉRIE T75 OPTIMA



BEFESTIGUNGSSATZ FÜR EASY ONE PUMPE

IN KANAL SERIE T75 OPTIMA

THE KIT CONSISTS OF

- SPRING WITH COUPLING PLATE FOR PUMP 1 PIECE

LE KIT SE COMPOSE DE

- RESSORT AVEC PLAQUE D'ACCOUPLMENT POUR POMPE PIÈCE 1

DER BAUSATZ BESTEHT AUS

- FEDER MIT KUPPLUNGSPLATTE FÜR PUMPENSTÜCK 1

KIT LAMPO GREEN

A
1 PC.



MADE IN ITALY

B
1 PC.



DOWNLOAD
DATASHEET

CODE	DESCRIPTION
12170155	LAMPO GREEN - FASTENING KIT FOR EASY ONE PUMP IN TRUNKING T72 EXCELLENS SERIES

KIT FAST GREEN

MADE IN ITALY



DOWNLOAD
DATASHEET

CODE	DESCRIPTION
12170160	FAST GREEN - FASTENING KIT FOR EASY ONE PUMP IN TRUNKING T75 OPTIMA SERIES



PUMP ACCESSORIES EASY ONE



ACCESSOIRES POMPE EASY ONE



ZUBEHÖR FÜR PUMPE EASY ONE

THE KIT CONSISTS OF

- PUMP FASTENING WALL BRACKET 1 PC.
- RUBBER FITTING SLEEVE 1 PC.
- DOUBLE-SIDED ADHESIVE 1 PC.

LE KIT SE COMPOSE DE

- SUPPORT DE FIXATION DE POMPE 1 PC.
- MANCHON EN CAOUTCHOUC 1 PC.
- ADHÉSIFS DOUBLE FACE POUR FIXATION 1 PC.

DER BAUSATZ BESTEHT AUS

- BEFESTIGUNGSWANDKONSOLE FÜR PUMPE 1 STK.
- VERBINDUNGSMANSCHETTE AUS GUMMI 1 STK.
- DOPPELSEITIGES KLEBEBAND ZUR BEFESTIGUNG 1 STK.

MADE IN ITALY

CODE	DESCRIPTION
RIC00098	PUMP ACCESSORIES EASY ONE



DOWNLOAD
DATASHEET

 PUMP CONNECTION HOSE

 TUYAU DE RACCORDEMENT POMPES

 PUMPENANSCHLUSSROHR

CODE	DESCRIPTION [mm]
12170064	PUMP CONNECTION HOSE Ø4 x 6 mm L.10 m
12170029	PUMP CONNECTION HOSE Ø4 x 6 mm L.100 m
12170014	PUMP CONNECTION HOSE Ø6 x 9,5 mm L.25 m
12170066	PUMP CONNECTION HOSE Ø8 x 12 mm L.10 m
12170018	PUMP CONNECTION HOSE Ø8 x 12 mm L.100 m



DOWNLOAD DATASHEET

 MADE IN ITALY

EF 7 / 11 / 15 / 20 / 30 / 40

 FLOAT FOR PUMPS

 CORPS FLOTTANT POUR POMPES

 SCHWIMMKÖRPER FÜR PUMPEN

 MADE IN ITALY



DOWNLOAD DATASHEET

 MADE IN ITALY



DOWNLOAD DATASHEET

CODE	DESCRIPTION
12170043H	FLOAT FOR PUMPS EASY FLOW

CODE	DESCRIPTION
12170043	FLOAT FOR PUMPS EASY FLOW

EF V

 FLOAT FOR PUMPS

 CORPS FLOTTANT POUR POMPES

 SCHWIMMKÖRPER FÜR PUMPEN

FOR FAN COILS WITH VERTICAL COUPLING

 MADE IN ITALY



DOWNLOAD DATASHEET

CODE	DESCRIPTION
12170048	FLOAT FOR PUMPS EASY FLOW WITH VERTICAL COUPLING

EFV EF 7 / 11 / 15 / 20 / 30 / 40

 EXTENSION FOR PUMPS

 EXTENSION POUR POMPES

 VERLÄNGERUNG FÜR PUMPEN

 MADE IN ITALY

CODE	DESCRIPTION
12170052	EXTENSION L.3m FOR PUMPS EFV/EF
12170044	EXTENSION L.5m FOR PUMPS EFV/EF



DOWNLOAD DATASHEET

 MINI NON-RETURN VALVE

 MINI CLAPET ANTI-RETOUR

 MINI-RÜCKSCHLAGVENTIL

5 PIECES PACK PIPE DIMENSIONS Ø 6 X 9.5 mm

 MADE IN ITALY

CODE	DESCRIPTION
12170020	MINI NON-RETURN VALVE FOR Ø6x9,5 mm PIPE (5 PCS. PACK)



DOWNLOAD DATASHEET

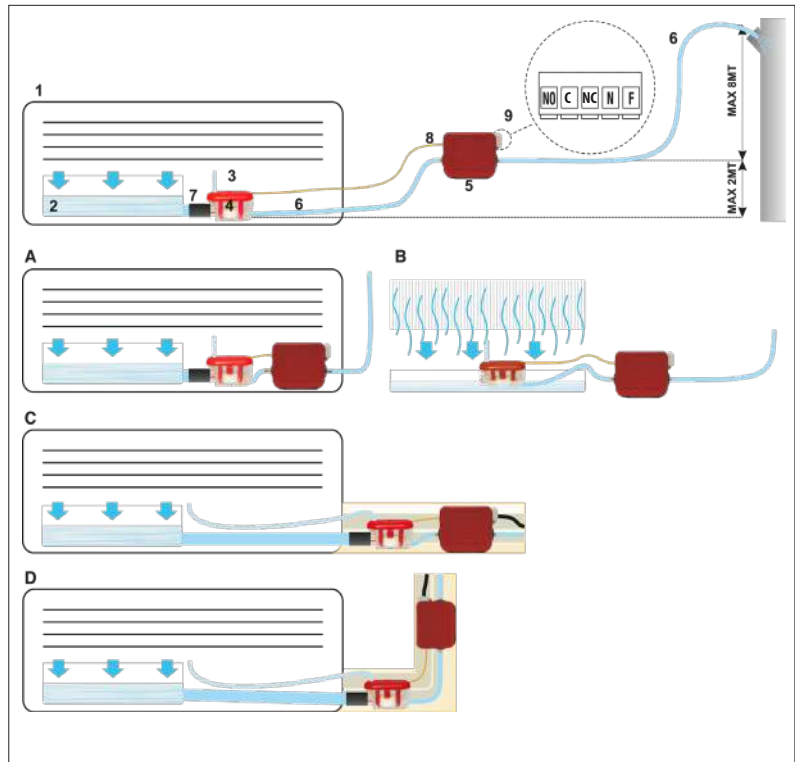
EXAMPLE INSTALLATION OF CONDENSATE PUMP MODELS: EF 7 / 11 / 15 / 20 / 30 / 40



LEGEND:

- 1. INDOOR UNIT
- 2. CONDENSATE DRAIN PAN
- 3. AIR OUTLET
- 4. FLOATING CASE
- 5. PUMP
- 6. TRANSPARENT PIPE 4X6 MM
- 7. CONDENSATE DRAIN PIPE
- 8. ELECTRICAL CONNECTION CABLE
- 9. POWER SUPPLY + ALARM

- A. INSTALLATION OF THE FLOATING CASE AND PUMP IN THE INDOOR UNIT
- B. INSTALLATION OF THE FLOATING CASE INSIDE THE CONDENSATE DRAIN PAN
- C. INSTALLATION OF THE FLOATING CASE AND OF THE PUMP INSIDE THE TRUNKING T72
- D. INSTALLATION OF FLOATING CASE INSIDE THE TRUNKING T72 AND THE PUMP VERTICALLY INSTALLED



VERY IMPORTANT! KEEP THE RESERVOIR HORIZONTAL. DO NOT PUT THE RESERVOIR ON METAL SURFACES.



WHEN THE ELECTRIC CIRCUIT OF THE MINI PUMP IS POWERED, THE ALARM CONTACT CLOSSES EXCEPT WHEN:

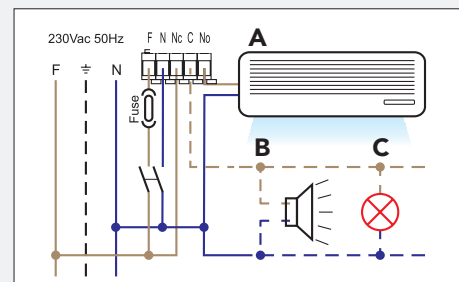
- A FAULT IN THE ELECTRIC CIRCUIT OF THE PUMP
- OVER-TEMPERATURE OF THE THERMAL SENSOR THAT PROTECTS THE SOLENOID VALVE
- OVERFILL LEVEL OF THE RESERVOIR

CONNECTION EXAMPLE

THE 8A CONTACT ALLOWS THE CONNECTION WITH THE INDOOR UNIT. IF YOU WANT TO USE THE ALARM CONTACT TO GET AN ACOUSTIC OR VISUAL SIGNAL, FOLLOW THE CONNECTION INSTRUCTION ON THE DIAGRAM.

- A. COMPRESSOR OF INDOOR UNIT
- B. ACOUSTIC ALARM
- C. VISUAL ALARM

N.B.: PERFORM THE ELECTRIC CONNECTION FOLLOWING THE INSTRUCTIONS ON THE MANUAL.



INSTALLATION INSTRUCTIONS FOR A PROPER WORKING

FOLLOW CAREFULLY THE INSTRUCTIONS TO INSTALL THE MINI PUMPS TO GRANT THE GOOD PERFORMANCES OF THE PUMP AND CONSEQUENTLY OF THE WHOLE SYSTEM. FAILURE TO OBSERVE THESE INSTRUCTIONS CAN COMPROMISE THE PROPER WORKING.

- CLEAN ACCURATELY, THE UNIT AND THE CONDENSATION TANK, RINSE WITH WATER.
- FASTEN THE RESERVOIR USING THE CLIP. VERY IMPORTANT: KEEP IT HORIZONTAL AND NEVER LAY IT ON METAL SURFACES.
- CONNECT THE ALARM.
- CONNECT THE VENT PIPE TO THE RESERVOIR. VERY IMPORTANT: THE END OF THE VENT PIPE MUST BE HIGHER THAN THE MAXIMUM LEVEL OF THE CONDENSATE TANK OF THE A/C.
- USE ALWAYS THE TRANSPARENT PIPE TO CONNECT THE PUMP (4 X 6 mm OR 6 X 9,5 ACCORDING TO THE MODEL) AS INDICATED ON THE CATALOGUE.

BRACKETS AND WALL BRACKETS

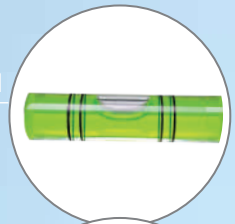
CONCEIVED AND DESIGNED BY TECNOSYSTEMI

MADE
IN
ITALY



patented models

Spirit level supplied



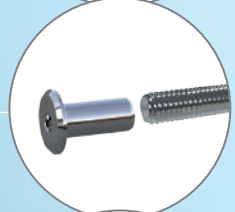
Graduated wall bar with view finder



Adjustable articulated rear feet



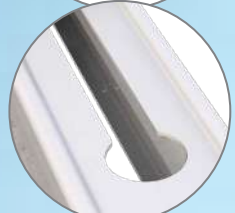
Insert with threaded bar



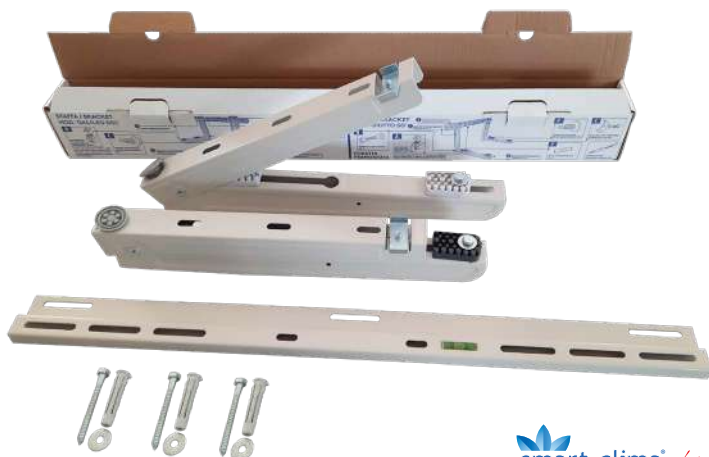
Antivibration
"No-Shock Hard e Soft"



Antivibration sliding seat



SMART CLIMA



**OUR BRACKETS ARE
PRE-ASSEMBLED**

**and complete
with anti-vibration
and screws**

GALILEO SGL

 WALL BRACKET

 SUPPORT AU MUR

 WANDKONSOLE

TECHNICAL SPECIFICATIONS

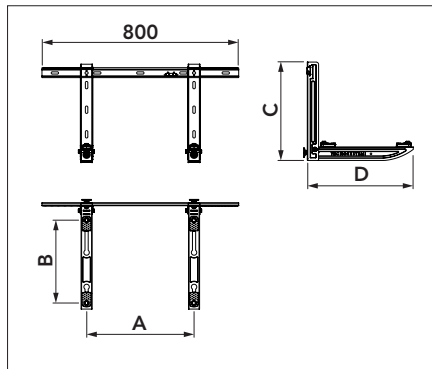
- MADE OF ELECTRO-GALVANISED SHEET METAL
- WALL BRACKET WITH SPIRIT LEVEL SUPPLIED
- EXTERNAL POLYESTER PAINTING RAL 9002
- WALL-MOUNTED NOTCHED BAR
- READY FOR CONDENSATE TRAP
- "NO-SHOCK" VIBRATION DAMPERS SUPPLIED
- FIXING PLUGS
- ADJUSTABLE REAR SWIVEL FEET

CARACTÉRISTIQUES TECHNIQUES

- EN TÔLE ÉLECTRO-GALVANISÉE
- SUPPORT DE BULLE FOURNI
- PEINTURE POLYESTER D'EXTÉRIEUR RAL 9002
- BARRE MURALE DENTÉE
- PRÉDISPOSÉ POUR LE BASSIN DE COLLECTE DES CONDENSATS
- PLOTS ANTI-VIBRATIONS "NO-SHOCK" FOURNIS
- CHEVILLES DE FIXATION
- PIEDS ARRIÈRE ARTICULÉS RÉGLABLES

TECHNISCHE EIGENSCHAFTEN

- AUS ELEKTRO-GALVANISIERTEM BLECH
- WANDKONSOLE MIT WASSERWAAGE MITGELIEFERT
- POLYESTERBESCHICHTUNG FÜR DEN AUSSENBEREICH RAL 9002
- GEZAHNTE WANDSTANGE
- VORBEREITET FÜR KONDENSATSAMMELBECKEN
- VIBRATIONSDÄMPFER "NO-SHOCK" MITGELIEFERT
- BEFESTIGUNGSDÜBEL
- VERSTELLBARE GELENKHINTERFÜSSE



 MADE IN ITALY



TESTED UP TO
210 kg!



DOWNLOAD
DATASHEET

Pre-assembled wall bracket

CODE	DESCRIPTION	DIMENSIONS				LOAD CAPACITY [kg]
		A [mm]	B [mm]	C [mm]	D [mm]	
111000071	"GALILEO SGL" 100 EVO WALL BRACKET	440/745	180/340	400	430	100
11000090	"GALILEO SGL" 140 EVO WALL BRACKET	440/745	180/385	400	475	140
SCD500086	"GALILEO" SGL" 100 XXL EVO WALL BRACKET	440/745	240/465	400	625	100

GALILEO SGL ECO

 WALL BRACKET

 SUPPORT AU MUR

 WANDKONSOLE

TECHNICAL SPECIFICATIONS

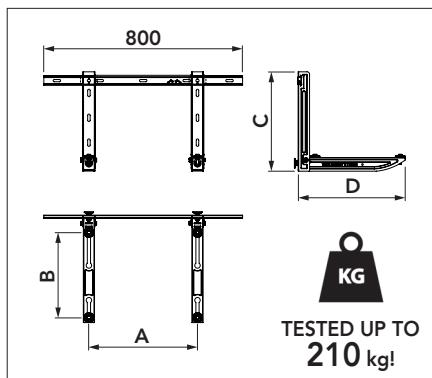
- MADE OF ELECTRO-GALVANISED SHEET METAL
- WALL BRACKET WITH SPIRIT LEVEL SUPPLIED
- EXTERNAL POLYESTER PAINTING RAL 9002
- WALL-MOUNTED NOTCHED BAR
- READY FOR CONDENSATE TRAP
- SLIDING VIBRATION DAMPERS
- FIXING PLUGS
- ADJUSTABLE REAR SWIVEL FEET

CARACTÉRISTIQUES TECHNIQUES

- EN TÔLE ÉLECTRO-GALVANISÉE
- SUPPORT DE BULLE FOURNI
- PEINTURE POLYESTER D'EXTÉRIEUR RAL 9002
- BARRE MURALE DENTÉE
- PRÉDISPOSÉ POUR LE BASSIN DE COLLECTE DES CONDENSATS
- PLOTS ANTI-VIBRATIONS COULISSANTS
- CHEVILLES DE FIXATION
- PIEDS ARRIÈRE ARTICULÉS RÉGLABLES

TECHNISCHE EIGENSCHAFTEN

- AUS ELEKTRO-GALVANISIERTEM BLECH
- WANDKONSOLE MIT WASSERWAAGE MITGELIEFERT
- POLYESTERBESCHICHTUNG FÜR DEN AUSSENBEREICH RAL 9002
- GEZAHNTE WANDSTANGE
- VORBEREITET FÜR KONDENSATSAMMELBECKEN
- GLEITENDE SCHWINGUNGSDÄMPFER
- BEFESTIGUNGSDÜBEL
- VERSTELLBARE GELENKHINTERFÜSSE



 MADE IN ITALY



DOWNLOAD
DATASHEET

Pre-assembled wall bracket

CODE	DESCRIPTION	DIMENSIONI				LOAD CAPACITY [kg]
		A [mm]	B [mm]	C [mm]	D [mm]	
111000071X	"GALILEO SGL" 100 ECO WALL BRACKET	440/745	180/340	400	430	100
11000090X	"GALILEO SGL" 140 ECO WALL BRACKET	440/745	180/385	400	475	140
SCD500085	"GALILEO SGL" 100 XXL ECO WALL BRACKET	440/745	240/465	400	625	100

KEPLERO SKP

 WALL BRACKET

 SUPPORT AU MUR

 WANDKONSOLE

TECHNICAL SPECIFICATIONS

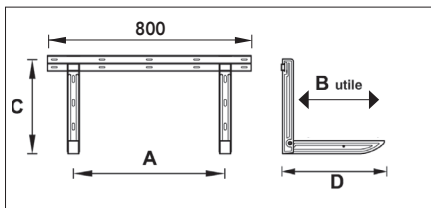
- MADE OF ELECTRO-GALVANISED SHEET METAL
- WALL BRACKET WITH SPIRIT LEVEL SUPPLIED
- EXTERNAL POLYESTER PAINTING RAL 9002
- WALL-MOUNTED NOTCHED BAR
- READY FOR CONDENSATE TRAP
- "NO-SHOCK" VIBRATION DAMPERS SUPPLIED
- FIXING PLUGS
- ADJUSTABLE REAR SWIVEL FEET
- READY FOR ELECTRIC HOIST

CARACTÉRISTIQUES TECHNIQUES

- EN TÔLE ÉLECTRO-GALVANISÉE
- SUPPORT DE BULLE FOURNI
- PEINTURE POLYESTER D'EXTÉRIEUR RAL 9002
- BARRE MURALE DENTÉE
- PRÉDISPOSÉ POUR LE BASSIN DE COLLECTE DES CONDENSATS
- PLOTS ANTI-VIBRATIONS "NO-SHOCK" FOURNIS
- CHEVILLES DE FIXATION
- PIEDS ARRIÈRE ARTICULÉS RÉGLABLES
- PRÉDISPOSÉ POUR L'ÉLEVATEUR ÉLECTRIQUE

TECHNISCHE EIGENSCHAFTEN

- AUS ELEKTRO-GALVANISIERTEM BLECH
- WANDKONSOLE MIT WASSERWAAGE MITGELIEFERT
- POLYESTERBESCHICHTUNG FÜR DEN AUSSENBE-REICH RAL 9002
- GEZAHNTE WANDSTANGE
- VORBEREITET FÜR KONDENSATSAMMELBECKEN
- VIBRATIONS DÄMPFER "NO-SHOCK" MITGELIEFERT
- BEFESTIGUNGSDÜBEL
- VERSTELLBARE GELENKHINTERFÜSSE
- VORBEREITET FÜR ELEKTRISCHE HEBEVORRICHTUNG



 MADE IN ITALY



DOWNLOAD DATASHEET

CODE	DESCRIPTION	DIMENSIONS				LOAD CAPACITY
		A [mm]	B [mm]	C [mm]	D [mm]	[kg]
11000600	KEPLERO SKP 100 XXWALL BRACKET	350/750	240/465	400	625	100

TSSC

 MINI-CHILLER WALL BRACKET

 SUPPORT AU MUR MINI-CHILLER

 MINI-KÜHLERKONSOLE

TECHNICAL SPECIFICATIONS

- MADE OF ELECTRO-GALVANISED SHEET METAL
- EXTERNAL POLYESTER PAINTING RAL 9002
- READY FOR CONDENSATE DRAIN PAN
- "NO-SHOCK" SLIDING VIBRATION DAMPERS SUPPLIED
- SUPPLIED SCREWS
- FIXING PLUGS SUPPLIED*

* ONLY FOR CODE 11000900

CARACTÉRISTIQUES TECHNIQUES

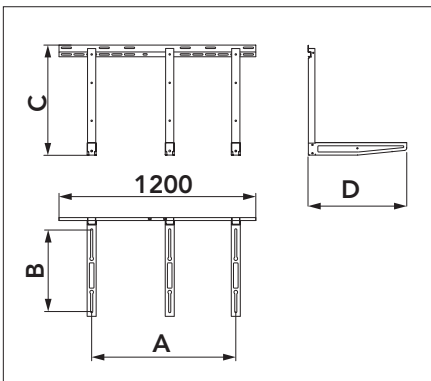
- EN TÔLE ÉLECTRO-GALVANISÉE
- PEINTURE POLYESTER D'EXTÉRIEUR RAL 9002
- PRÉDISPOSÉ POUR LE BASSIN DE COLLECTE DES CONDENSATS
- PLOTS ANTI-VIBRATIONS COULISSANTS "NO-SHOCK" FOURNIS
- VIS FOURNIES
- CHEVILLES DE FIXATION FOURNIS*

* UNIQUEMENT POUR LE CODE 11000900

TECHNISCHE EIGENSCHAFTEN

- AUS ELEKTRO-GALVANISIERTEM BLECH
- POLYESTERBESCHICHTUNG FÜR DEN AUSSENBE-REICH RAL 9002
- VORBEREITET FÜR KONDENSATSAMMELBECKEN
- "NO - SHOCK" GLEITENDE SCHWINGUNGSDÄMPFER MITGELIEFERT
- MITGELIEFERTE SCHRAUBEN
- MITGELIEFERTE BEFESTIGUNGSDÜBEL*

* NUR FÜR COD. 11000900



 MADE IN ITALY



DOWNLOAD DATASHEET

CODE	DESCRIPTION	DIMENSIONS				LOAD CAPACITY
		A [mm]	B [mm]	C [mm]	D [mm]	[kg]
SCD500149	MINI - CHILLER "TSSC" - 160 WALL BRACKET	1150	290/550	680	680	160
11000900	MINI - CHILLER "TSSC" - 210 WALL BRACKET	1150	240/500	670	600	210
11000910	MINI - CHILLER "TSSC" - 250 WALL BRACKET	1150	190/490	680	600	250
11000930	MINI - CHILLER "TSSC" - 300 WALL BRACKET	1150	300/550	680	680	300

LEONARDO-SL

 WALL BRACKET

 SUPPORT AU MUR

 WANDKONSOLE

TECHNICAL SPECIFICATIONS

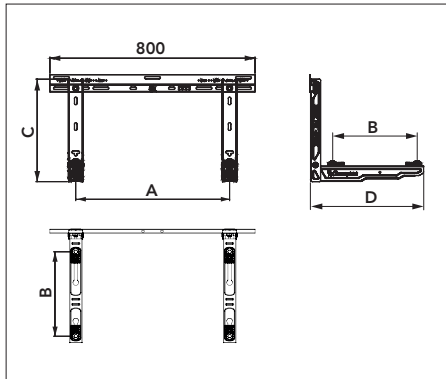
- MADE OF ELECTRO-GALVANISED SHEET METAL
- EXTERNAL POLYESTER PAINTING RAL 9002
- GRADUATED WALL BRACKET WITH SPIRIT LEVEL INCLUDED
- ADJUSTABLE REAR SWIVEL FEET
- READY FOR ELECTRIC HOIST
- READY FOR CONDENSATE TRAP
- "NO-SHOCK" VIBRATION DAMPERS SUPPLIED
- WALL MOUNTING FIXING PLUGS
- PRE-ASSEMBLED BRACKET

CARACTÉRISTIQUES TECHNIQUES

- EN TÔLE ÉLECTRO-GALVANISÉE
- PEINTURE POLYESTER D'EXTÉRIEUR RAL 9002
- SUPPORT DE BULLE FOURNI
- PIEDS ARRIÈRE ARTICULÉS RÉGLABLES
- PRÉDISPOSÉ POUR L'ÉLÉVATEUR ÉLECTRIQUE
- PRÉDISPOSÉ POUR LE BASSIN DE COLLECTE DES CONDENSATS
- PLOTS ANTI-VIBRATIONS "NO-SHOCK" FOURNIS
- CHEVILLES DE FIXATION MURALE
- ÉTAGÈRE PRÉ-ASSEMBLÉE

TECHNISCHE EIGENSCHAFTEN

- AUS ELEKTRO-GALVANISIERTEM BLECH
- POLYESTERBESCHICHTUNG FÜR DEN AUSSENBEREICH RAL 9002
- GRADUIERTE WANDKONSOLE MIT WASSERWAAGE MITGELIEFERT
- VERSTELLBARE GELENKHINTERFÜSSE
- VORBEREITET FÜR ELEKTRISCHE HEBEVORRICHTUNG
- VORBEREITET FÜR KONDENSATSAMMELBECKEN
- VIBRATIONSDÄMPFER "NO-SHOCK" MITGELIEFERT
- WANDBEFESTIGUNGSDÜBEL
- VORMONTIERTE KONSOLE

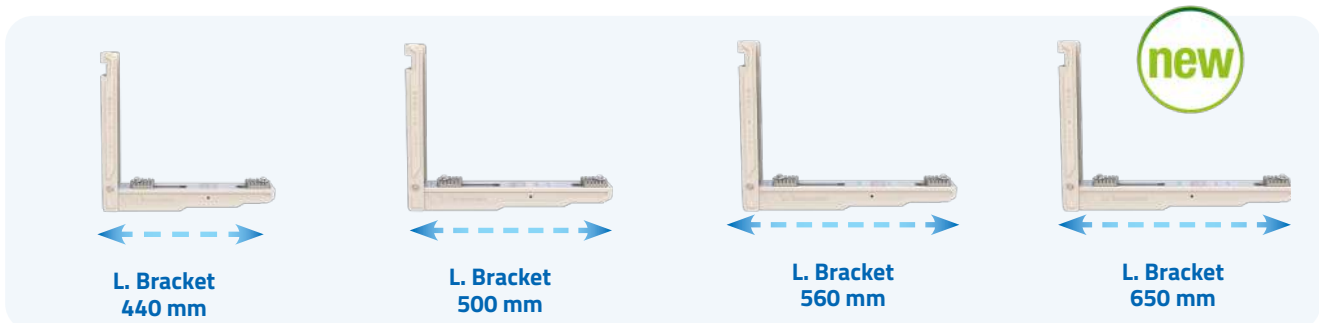


 MADE IN ITALY

Pre-assembled wall bracket



DOWNLOAD DATASHEET



CODE	DESCRIPTION	DIMENSIONS				LOAD CAPACITY [kg]
		A [mm]	B [mm]	C [mm]	D [mm]	
SCD500117	LEONARDO L440 WALL BRACKET	350/750	180/330	400	440	110
SCD500118	LEONARDO L500 WALL BRACKET	350/750	230/390	400	500	130
SCD500119	LEONARDO L560 WALL BRACKET	350/750	270/450	400	560	150
SCD500183	LEONARDO L650 WALL BRACKET	350/750	340/540	400	650	150

 new

MICHELANGELO - SM



BRACKET WITH SLIDING BAR

SUPPORT AVEC BARRE COULISSANTE

KONSOLE MIT SCHIEBESTANGE

TECHNICAL SPECIFICATIONS

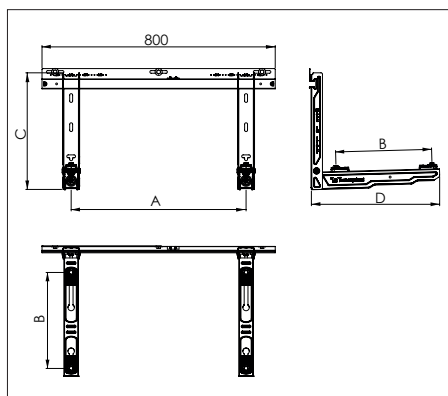
- ELECTROGALVANISED SHEET
- EXTERNAL POLYESTER PAINTING
- GRADUATED WALL BRACKET WITH SPIRIT LEVEL INCLUDED
- ADJUSTABLE REAR SWIVEL FEET
- READY FOR CONDENSATE DRAIN PAN
- "NO-SHOCK" VIBRATION DAMPERS SUPPLIED
- WALL MOUNTING FIXING PLUGS
- PRE-ASSEMBLED BRACKET

CARACTÉRISTIQUES TECHNIQUES

- TÔLE GALVANISÉE
- PEINTURE POLYESTER D'EXTÉRIEUR
- SUPPORT GRADUÉ AVEC BULLE INCLUSE
- PIEDS ARRIÈRE ARTICULÉS RÉGLABLES
- PRÉDISPOSÉ POUR LE BASSIN DE COLLECTE DES CONDENSATS
- PLOTS ANTI-VIBRATIONS «NO-SHOCK» FOURNIS
- CHEVILLES DE FIXATION MURALE
- ÉTAGÈRE PRÉ-ASSEMBLÉE

TECHNISCHE EIGENSCHAFTEN

- GALVANISCH VERZINKTES BLECH
- POLYESTERBESCHICHTUNG FÜR DEN AUSSENBEREICH
- GRADUIERTE WANDKONSOLE MIT WASSERWAAGE MITGELIEFERT
- VERSTELLBARE, GELENKHINTERFÜSSE
- VORBEREITET FÜR KONDENSATSAMMELBECKEN
- VIBRATIONS DÄMPFER „NO-SHOCK“ IM LIEFERUMFANG ENTHALTEN
- WANDBEFESTIGUNGSDÜBEL
- VORMONTIERTE KONSOLE



Pre-assembled wall bracket



MADE IN ITALY



RAL 7016 version available only on request



DOWNLOAD DATASHEET

AVAILABLE FROM JUNE 2023

CODE	DESCRIPTION	DIMENSIONS				LOAD CAPACITY [kg]
		A [mm]	B [mm]	C [mm]	D [mm]	
SCD500201	MICHELANGELO L. 440 WALL BRACKET	350/750	180/330	400	440	110
SCD500202	MICHELANGELO L. 500 WALL BRACKET	350/750	230/390	400	500	130
SCD500203	MICHELANGELO L. 560 WALL BRACKET	350/750	270/450	400	560	150
SCD500204	MICHELANGELO L. 650 WALL BRACKET	350/750	340/540	400	650	150
SCD500205	MICHELANGELO L. 440 RAL 7016 WALL BRACKET	350/750	180/330	400	440	110
SCD500206	MICHELANGELO L. 500 RAL 7016 WALL BRACKET	350/750	230/390	400	500	130
SCD500207	MICHELANGELO L. 560 RAL 7016 WALL BRACKET	350/750	270/450	400	560	150
SCD500208	MICHELANGELO L. 650 RAL 7016 WALL BRACKET	350/750	340/540	400	650	150

DONATELLO SD



BRACKET

SUPPORT

HALTERUNG

TECHNICAL SPECIFICATIONS

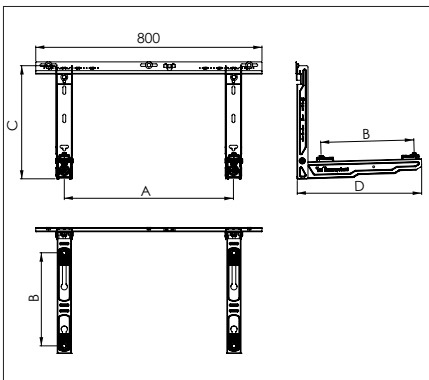
- MADE OF ELECTRO-GALVANISED SHEET METAL
- EXTERNAL POLYESTER PAINTING RAL 9002
- GRADUATED WALL BRACKET WITH SPIRIT LEVEL INCLUDED
- ADJUSTABLE REAR SWIVEL FEET
- READY FOR CONDENSATE DRAIN PAN
- "NO-SHOCK" VIBRATION DAMPERS SUPPLIED
- WALL MOUNTING FIXING PLUGS
- PRE-ASSEMBLED WALL BRACKET

CARACTÉRISTIQUES TECHNIQUES

- EN TÔLE ÉLECTRO-GALVANISÉE
- PEINTURE POLYESTER D'EXTÉRIEUR RAL 9002
- SUPPORT GRADUÉ AVEC BULLE INCLUSE
- PIEDS ARRIÈRE ARTICULÉS RÉGLABLES
- PRÉDISPOSÉ POUR LE BASSIN DE COLLECTE DES CONDENSATS
- PLOTS ANTI-VIBRATIONS «NO-SHOCK» FOURNIS
- CHEVILLES DE FIXATION MURALE
- SUPPORT PRÉ-ASSEMBLÉ

TECHNISCHE EIGENSCHAFTEN

- GALVANISCH VERZINKTES BLECH
- POLYESTERBESCHICHTUNG FÜR DEN AUSSENBEREICH
- GRADUIERTE WANDKONSOLE MIT WASSERWAAGE MITGELIEFERT
- VERSTELLBARE, GELENKHINTERFÜSSE
- VORBEREITET FÜR KONDENSATSAMMELBECKEN
- VIBRATIONSDÄMPFER „NO-SHOCK“ IM LIEFERUMFANG ENTHALTEN
- WANDBEFESTIGUNGSDÜBEL
- VORMONTIERTE KONSOLE



Pre-assembled wall bracket

MADE IN ITALY



RAL 7016 version available only on request



DOWNLOAD DATASHEET

AVAILABLE FROM APRIL 2023

CODE	DESCRIPTION	DIMENSIONS				LOAD CAPACITY [kg]
		A [mm]	B [mm]	C [mm]	D [mm]	
SCD500193	DONATELLO L. 440 WALL BRACKET	350/750	180/330	400	440	110
SCD500194	DONATELLO L. 500 WALL BRACKET	350/750	230/390	400	500	130
SCD500195	DONATELLO L. 560 WALL BRACKET	350/750	270/450	400	560	130
SCD500196	DONATELLO L. 650 WALL BRACKET	350/750	340/540	400	650	130
SCD500197	DONATELLO L. 440 RAL 7016 WALL BRACKET	350/750	180/330	400	440	110
SCD500198	DONATELLO L. 500 RAL 7016 WALL BRACKET	350/750	230/390	400	500	130
SCD500199	DONATELLO L. 560 RAL 7016 WALL BRACKET	350/750	270/450	400	560	130
SCD500200	DONATELLO L. 650 RAL 7016 WALL BRACKET	350/750	340/540	400	650	130

GIOTTO SG

 WALL BRACKET

 SUPPORT AU MUR

 WANDKONSOLE

TECHNICAL SPECIFICATIONS

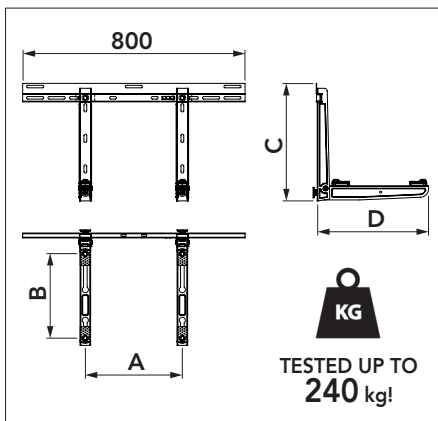
- MADE OF ELECTRO-GALVANISED SHEET METAL
- PRE-ASSEMBLED WALL BRACKET
- INCLUDES SPIRIT LEVEL
- ADJUSTABLE REAR SWIVEL FEET
- EXTERNAL POLYESTER PAINTING RAL 9002
- READY FOR CONDENSATE TRAP
- "NO-SHOCK" SLIDING VIBRATION DAMPERS SUPPLIED
- FIXING PLUGS
- READY FOR ELECTRIC HOIST

CARACTÉRISTIQUES TECHNIQUES

- EN TÔLE ÉLECTRO-GALVANISÉE
- SUPPORT PRÉ-ASSEMBLÉ
- LIVRÉ AVEC UNE BULLE
- PIEDS ARRIÈRE ARTICULÉS RÉGLABLES
- PEINTURE POLYESTER D'EXTÉRIEUR RAL 9002
- PRÉDISPOSÉ POUR LE BASSIN DE COLLECTE DES CONDENSATS
- PLOTS ANTI-VIBRATIONS COULISSANTS "NO - SHOCK" FOURNIS
- CHEVILLES DE FIXATION
- PRÉDISPOSÉ POUR L'ÉLÉVATEUR ÉLECTRIQUE

TECHNISCHE EIGENSCHAFTEN

- AUS ELEKTRO-GALVANISIERTEM BLECH
- VORMONTIERTE WANDKONSOLE
- WASSERWAAGE MITGELIEFERT
- VERSTELLBARE, GELENKHINTERFÜSSE
- POLYESTERBESCHICHTUNG FÜR DEN AUSSENBE-REICH RAL 9002
- VORBEREITET FÜR KONDENSATSAMMELBECKEN
- "NO - SHOCK" GLEITENDE SCHWINGUNGSDÄMPFER MITGELIEFERT
- BEFESTIGUNGSDÜBEL
- VORBEREITET FÜR ELEKTRISCHE HEBEVORRICHTUNG



 ALSO AVAILABLE WITH STAINLESS STEEL BOLTS



DOWNLOAD DATASHEET

 MADE IN ITALY

Pre-assembled wall bracket

CODE	DESCRIPTION	DIMENSIONS				LOAD CAPACITY [kg]	TESTING [kg]
		A [mm]	B [mm]	C [mm]	D [mm]		
111000801	"GIOTTO SG" - 120 EVO WALL BRACKET	350/750	150/310	420	400	120	180
11100080VI	"GIOTTO SG" - 120 EVO WALL BRACKET WITH STAINLESS STEEL BOLTS	350/750	150/310	420	400	120	180
111000811	"GIOTTO SG" - 160 EVO WALL BRACKET	350/750	180/380	420	465	160	240
11100081VI *	"GIOTTO SG" - 160 EVO WALL BRACKET WITH STAINLESS STEEL BOLTS	350/750	180/380	420	465	160	240
SCD500120	"GIOTTO SG" - 160 EVO WALL BRACKET ANTHRACITE GRAY	350/750	180/380	420	465	160	240

CLASSIC-TSMC EVO

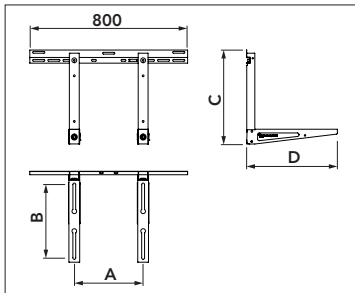
 WALL BRACKET

 SUPPORT AU MUR

 WANDKONSOLE

TECHNICAL SPECIFICATIONS

- MADE OF ELECTRO-GALVANISED SHEET METAL
- EXTERNAL POLYESTER PAINTING RAL 9002
- READY FOR CONDENSATE TRAP
- "NO-SHOCK" SLIDING VIBRATION DAMPERS SUPPLIED
- FIXING PLUGS
- READY FOR ELECTRIC HOIST
- HEX KEY AND SPIRIT LEVEL SUPPLIED
- ADJUSTABLE REAR SWIVEL FEET



CARACTÉRISTIQUES TECHNIQUES


- EN TÔLE ÉLECTRO-GALVANISÉE
- PEINTURE POLYESTER D'EXTÉRIEUR RAL 9002
- PRÉDISPOSÉ POUR LE BASSIN DE COLLECTE DES CONDENSATS
- PLOTS ANTI-VIBRATIONS COULISSANTS "NO-SHOCK" FOURNIS
- CHEVILLES DE FIXATION
- PRÉDISPOSÉ POUR L'ÉLÉVATEUR ÉLECTRIQUE
- CLÉ HEXAGONALE ET BULLE FOURNIES
- PIEDS ARRIÈRE ARTICULÉS RÉGLABLES



 MADE IN ITALY



DOWNLOAD DATASHEET

CODE	CODE	DIMENSIONS				LOAD C. [kg]
		A [mm]	B [mm]	C [mm]	D [mm]	
111000121	"CLASSIC - TSMC" - 160 EVO WALL BRACKET	350/750	140/370	480	460	160
111000131	"CLASSIC - TSMC" - 180 EVO WALL BRACKET	350/750	240/420	480	510	180
 SCD500156	"CLASSIC - TSMC" - 180 EVO WALL BRACKET WITH STAINLESS STEEL SCREWS	350/750	240/420	480	510	180
111000136	"CLASSIC - TSMC" - 210 EVO WALL BRACKET	350/750	240/500	480	600	210

STANDARD-TSM EVO

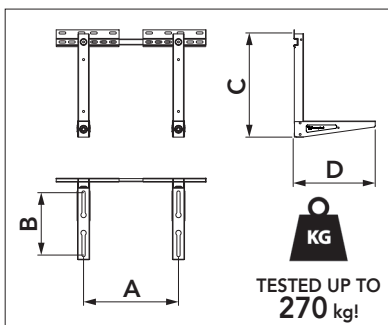
 TELESCOPIC WALL BRACKET

 SUPPORT AU MUR TÉLESCOPIQUE

 TELESKOPISCHE WANDKONSOLE

TECHNICAL SPECIFICATIONS

- MADE OF ELECTRO-GALVANISED SHEET METAL
- EXTERNAL POLYESTER PAINTING RAL 9002
- READY FOR CONDENSATE DRAIN PAN
- "NO-SHOCK" SLIDING VIBRATION DAMPERS SUPPLIED
- ADJUSTABLE REAR SWIVEL FEET
- FIXING PLUGS
- TELESCOPIC BAR



CARACTÉRISTIQUES TECHNIQUES

- EN TÔLE ÉLECTRO-GALVANISÉE
- PEINTURE POLYESTER D'EXTÉRIEUR RAL 9002
- PRÉDISPOSÉ POUR LE BASSIN DE COLLECTE DES CONDENSATS
- PLOTS ANTI-VIBRATIONS COULISSANTS "NO-SHOCK" FOURNIS
- PIEDS ARRIÈRE ARTICULÉS RÉGLABLES
- BARRE TÉLESCOPIQUE
- CHEVILLES DE FIXATION



 MADE IN ITALY



DOWNLOAD DATASHEET

CODE	DESCRIPTION	DIMENSIONS				LOAD C. [kg]
		A [mm]	B [mm]	C [mm]	D [mm]	
111000001	"STANDARD TSM" 160 EVO TELESCOPIC WALL BRACKET	420/760	140/370	480	460	160
111000201	"STANDARD TSM" 180 EVO TELESCOPIC WALL BRACKET	420/760	240/420	480	510	180

Dedicated products For Heat Pumps

Giotto SG 160 Bracket
RAL 7016



Optima RAL 7016
Ducts and Accessories

"Blue-River" drain pan
RAL 7016

Condensate Drain Pipe
TCR-21 Eco "Black-Line"

PALACE BRACKETS

TECNOSYSTEMI OFFERS A COMPLETE RANGE OF BRACKETS DEDICATED TO WINDOW INSTALLATION

THE COUPLING SYSTEM **ALLOWS RAPID INSTALLATION IN CONDOMINIUMS** OR IN THE PRESENCE OF HIGH HEIGHTS, **AVOIDING THE ASSEMBLY AND COST OF SCAFFOLDING.**



STOP



GIOTTO PALACE

 WALL BRACKET

 SUPPORT AU MUR

 WANDKONSOLE

TECHNICAL SPECIFICATIONS

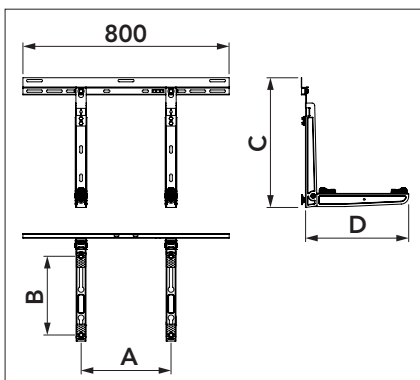
- MADE OF ELECTRO-GALVANISED SHEET METAL
- PRE-ASSEMBLED WALL BRACKET
- WALL BRACKET WITH SPIRIT LEVEL SUPPLIED
- ADJUSTABLE REAR SWIVEL FEET
- EXTERNAL POLYESTER PAINTING RAL 9002
- READY FOR CONDENSATE DRAIN PAN
- "NO-SHOCK" SLIDING VIBRATION DAMPERS SUPPLIED
- FIXING PLUGS
- READY FOR ELECTRIC HOIST

CARACTÉRISTIQUES TECHNIQUES

- EN TÔLE ÉLECTRO-GALVANISÉE
- SUPPORT PRÉ-ASSEMBLÉ
- SUPPORT AVEC BULLE FOURNI
- PIEDS ARRIÈRE ARTICULÉS RÉGLABLES
- PEINTURE POLYESTER D'EXTÉRIEUR RAL 9002
- PRÉDISPOSÉ POUR LE BASSIN DE COLLECTE DES CONDENSATS
- PLOTS ANTI-VIBRATIONS COULISSANTS "NO-SHOCK" FOURNIS
- CHEVILLES DE FIXATION
- PRÉDISPOSÉ POUR L'ÉLÉVATEUR ÉLECTRIQUE

TECHNISCHE EIGENSCHAFTEN

- AUS ELEKTRO-GALVANISIERTEM BLECH
- VORMONTIERTE WANDKONSOLE
- WASSERWAAGE MITGELIEFERT
- VERSTELLBARE GELENKHINTERFÜSSE
- POLYESTERBESCHICHTUNG FÜR DEN AUSSENBE- REICH RAL 9002
- VORBEREITET FÜR KONDENSATSAMMELBECKEN
- "NO - SHOCK" GLEITENDE SCHWINGUNGSDÄMPFER MITGELIEFERT
- BEFESTIGUNGSDÜBEL
- VORBEREITET FÜR ELEKTRISCHE HEBEVORRICHTUNG



 RAL 9002



 MADE IN ITALY



DOWNLOAD DATASHEET

Pre-assembled wall bracket

CODE	DESCRIPTION	DIMENSIONS				LOAD CAPACITY [kg]
		A [mm]	B [mm]	C [mm]	D [mm]	
111000801GP	"GIOTTO PALACE" 100 WALL BRACKET	350/750	150/310	500	400	100
111000811GP	"GIOTTO PALACE" 120 WALL BRACKET	350/750	180/380	500	465	120

KEPLERO PALACE

WALL BRACKET

SUPPORT AU MUR

WANDKONSOLE

TECHNICAL SPECIFICATIONS

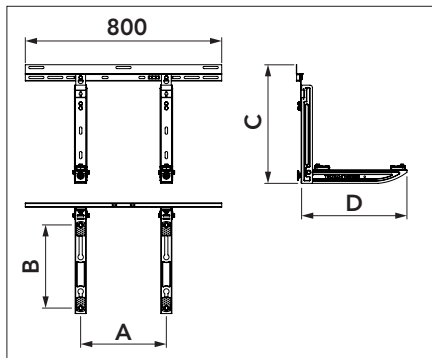
- MADE OF ELECTRO-GALVANISED SHEET METAL
- WALL BRACKET WITH SPIRIT LEVEL SUPPLIED
- EXTERNAL POLYESTER PAINTING RAL 9002
- READY FOR CONDENSATE DRAIN PAN
- "NO - SHOCK" SLIDING VIBRATION DAMPERS SUPPLIED
- FIXING PLUGS
- READY FOR ELECTRIC HOIST
- ADJUSTABLE REAR SWIVEL FEET

CARACTÉRISTIQUES TECHNIQUES

- EN TÔLE ÉLECTRO-GALVANISÉE
- SUPPORT AVEC BULLE FOURNI
- PEINTURE POLYESTER D'EXTÉRIEUR RAL 9002
- PRÉDISPOSÉ POUR LE BASSIN DE COLLECTE DES CONDENSATS
- PLOTS ANTI-VIBRATIONS COULISSANTS "NO - SHOCK" FOURNIS
- CHEVILLES DE FIXATION
- PRÉDISPOSÉ POUR L'ÉLÉVATEUR ÉLECTRIQUE
- PIEDS ARRIÈRE ARTICULÉS RÉGLABLES

TECHNISCHE EIGENSCHAFTEN

- AUS ELEKTRO-GALVANISIERTEM BLECH
- WANDKONSOLE MIT WASSERWAAGE MITGELIEFERT
- POLYESTERBESCHICHTUNG FÜR DEN AUSSENBE- REICH RAL 9002
- VORBEREITET FÜR KONDENSATSAMMELBECKEN
- "NO - SHOCK" GLEITENDE SCHWINGUNGSDÄMPFER MITGELIEFERT
- BEFESTIGUNGSDÜBEL
- VORBEREITET FÜR ELEKTRISCHE HEBEVORRICHTUNG
- VERSTELLBARE, GELENKHINTERFÜSSE



MADE IN ITALY



DOWNLOAD DATASHEET

CODE	DESCRIPTION	DIMENSIONS				LOAD CAPACITY [kg]
		A [mm]	B [mm]	C [mm]	D [mm]	
11000097KP	STAFFA "KEPLERO PALACE" 70	350/750	180/340	400	430	70
11000098KP	STAFFA "KEPLERO PALACE" 90 WALL BRACKET	350/750	180/385	400	475	90

GALILEO MGL

BRACKET

SUPPORT

KONSOLE

TECHNICAL SPECIFICATIONS

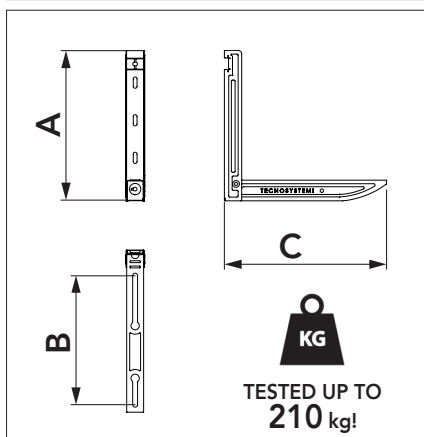
- MADE OF ELECTRO-GALVANISED SHEET METAL
- EXTERNAL POLYESTER PAINTING RAL 9002
- READY FOR CONDENSATE DRAIN PAN
- "NO-SHOCK" SLIDING VIBRATION DAMPERS SUPPLIED
- FIXING PLUGS

CARACTÉRISTIQUES TECHNIQUES

- EN TÔLE ÉLECTRO-GALVANISÉE
- PEINTURE POLYESTER D'EXTÉRIEUR RAL 9002
- PRÉDISPOSÉ POUR LE BASSIN DE COLLECTE DES CONDENSATS
- PLOTS ANTI-VIBRATIONS COULISSANTS "NO - SHOCK" FOURNIS
- CHEVILLES DE FIXATION

TECHNISCHE EIGENSCHAFTEN

- AUS ELEKTRO-GALVANISIERTEM BLECH
- POLYESTERBESCHICHTUNG FÜR DEN AUSSENBE- REICH RAL 9002
- VORBEREITET FÜR KONDENSATSAMMELBECKEN
- "NO-SHOCK" GLEITENDE SCHWINGUNGSDÄMPFER MITGELIEFERT
- BEFESTIGUNGSDÜBEL



MADE IN ITALY



DOWNLOAD DATASHEET

Pre-assembled bracket

CODE	DESCRIPTION	DIMENSIONS			LOAD CAPACITY [kg]
		A [mm]	B[mm]	C [mm]	
11100008	"GALILEO MGL 120 A" BRACKET	400	180/340	430	100
11000092	"GALILEO MGL 140" BRACKET	400	180/385	475	140
SCD500088	"GALILEO MGL" 100 XXL BRACKET	400	240/465	625	100

GALILEO MGL ECO

 BRACKET

 SUPPORT

 KONSOLE

TECHNICAL SPECIFICATIONS

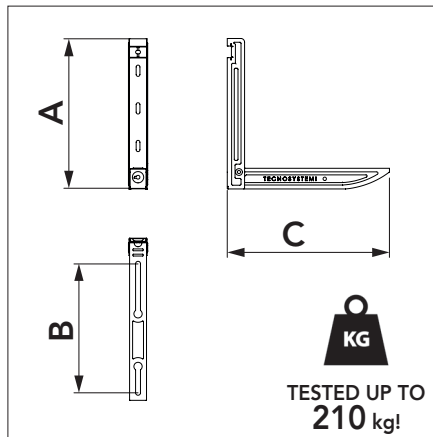
- MADE OF ELECTRO-GALVANISED SHEET METAL
- EXTERNAL POLYESTER PAINTING RAL 9002
- READY FOR CONDENSATE DRAIN PAN
- SLIDING VIBRATION DAMPERS SUPPLIED
- FIXING PLUGS

CARACTÉRISTIQUES TECHNIQUES

- EN TÔLE ÉLECTRO-GALVANISÉE
- PEINTURE POLYESTER D'EXTÉRIEUR RAL 9002
- PRÉDISPOSÉ POUR LE BASSIN DE COLLECTE DES CONDENSATS
- PLOTS ANTI-VIBRATIONS COULISSANTS FOURNIS
- CHEVILLES DE FIXATION

TECHNISCHE EIGENSCHAFTEN

- AUS ELEKTRO-GALVANISIERTEM BLECH
- POLYESTERBESCHICHTUNG FÜR DEN AUSSENBE- REICH RAL 9002
- VORBEREITET FÜR KONDENSATSAMMELBECKEN
- GLEITENDE SCHWINGUNGSDÄMPFER MITGELIEFERT
- BEFESTIGUNGSDÜBEL



 MADE IN ITALY

RAL 9002




DOWNLOAD DATASHEET

Pre-assembled bracket

CODE	DESCRIPTION	DIMENSIONS			LOAD CAPACITY
		A [mm]	B[mm]	C [mm]	[kg]
11100008X	"GALILEO MGL" 100 ECO BRACKET	400	180/340	430	100
111000092X	"GALILEO MGL" 140 ECO BRACKET	400	180/385	475	140
SCD500087	"GALILEO MGL" 100 XXL ECO BRACKET	400	240/465	625	100

GIOTTO MG

 BRACKET

 SUPPORT

 KONSOLE

TECHNICAL SPECIFICATIONS

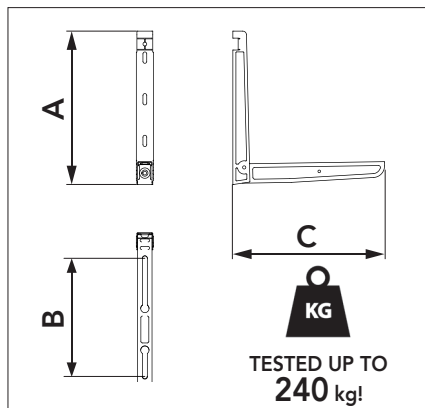
- MADE OF ELECTRO-GALVANISED SHEET METAL
- EXTERNAL POLYESTER PAINTING RAL 9002 OR RAL 7016 MATT ANTHRACITE GREY
- READY FOR CONDENSATE DRAIN PAN
- "NO-SHOCK" SLIDING VIBRATION DAMPERS SUPPLIED
- FIXING PLUGS
- PRE-ASSEMBLED BRACKET

CARACTÉRISTIQUES TECHNIQUES

- EN TÔLE ÉLECTRO-GALVANISÉE
- PEINTURE POLYESTER D'EXTÉRIEUR RAL 9002 OU GRIS ANTHRACITE RAL 7016 MAT
- PRÉDISPOSÉ POUR LE BASSIN DE COLLECTE DES CONDENSATS
- PLOTS ANTI-VIBRATIONS COULISSANTS "NO-SHOCK" FOURNIS
- CHEVILLES DE FIXATION
- SUPPORT PRÉ-ASSEMBLÉE

TECHNISCHE EIGENSCHAFTEN

- AUS ELEKTRO-GALVANISIERTEM BLECH
- POLYESTERBESCHICHTUNG FÜR DEN AUSSENBE- REICH RAL 9002 - IN ANTHRACITGRAU RAL 7016 MATT
- VORBEREITET FÜR KONDENSATSAMMELBECKEN
- "NO-SHOCK" GLEITENDE SCHWINGUNGSDÄMPFER MITGELIEFERT
- BEFESTIGUNGSDÜBEL
- VORMONTIERTE KONSOLE



 MADE IN ITALY



DOWNLOAD DATASHEET

Pre-assembled bracket

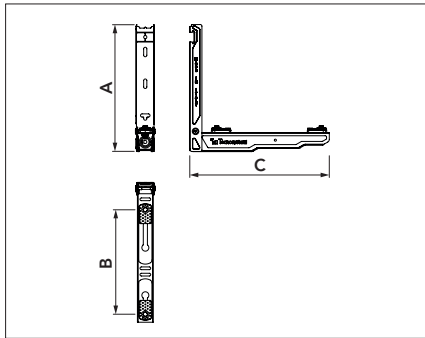
CODE	DESCRIPTION	DIMENSIONS			LOAD CAPACITY
		A [mm]	B [mm]	C [mm]	[kg]
111000082	"GIOTTO MG" - 120 BRACKET	400	150/310	400	120
111000083	"GIOTTO MG" - 160 BRACKET	400	180/380	465	160
SCD500121	"GIOTTO MG" - 160 EVO ANTHRACITE GRAY BRACKET	400	180/380	465	160

LEONARDO ML

BRACKET

TECHNICAL SPECIFICATIONS

- MADE OF ELECTRO-GALVANISED SHEET METAL
- EXTERNAL POLYESTER PAINTING RAL 9002
- READY FOR CONDENSATE DRAIN PAN
- "NO-SHOCK" SLIDING VIBRATION DAMPERS SUPPLIED
- HORIZONTAL BOTTOM SLOT TO FACILITATE WALL CENTRING
- FIXING PLUGS
- PRE-ASSEMBLED BRACKET



L. 650 BRACKET AVAILABLE FROM MARCH 2023

SUPPORT

CARACTÉRISTIQUES TECHNIQUES

- EN TÔLE ÉLECTRO-GALVANISÉE
- PEINTURE POLYESTER D'EXTÉRIEUR RAL 9002
- PRÉDISPOSÉ POUR LE BASSIN DE COLLECTE DES CONDENSATS
- PLOTS ANTI-VIBRATIONS COULISSANTS "NO-SHOCK" FOURNIS
- FENTE INFÉRIEURE HORIZONTALE POUR UN CENTRAGE FACILE AU MUR
- CHEVILLES DE FIXATION
- SUPPORT PRÉ-ASSEMBLÉE



KONSOLE

TECHNISCHE EIGENSCHAFTEN

- AUS ELEKTRO-GALVANISIERTEM BLECH
- POLYESTERBESCHICHTUNG FÜR DEN AUSSENBEREICH RAL 9002
- VORBEREITET FÜR KONDENSATSAMMELBECKEN
- "NO-SHOCK" GLEITENDE SCHWINGUNGSDÄMPFER MITGELIEFERT
- HORIZONTALER UNTERER SCHLITZ FÜR EINFACHE WANDZENTRIERUNG
- BEFESTIGUNGSDÜBEL
- VORMONTIERTE KONSOLE

MADE IN ITALY

RAL 9002



Pre-assembled bracket

DOWNLOAD DATASHEET

CODE	DESCRIPTION	DIMENSIONS			LOAD C.
		A [mm]	B [mm]	C [mm]	[kg]
SCD500123	LEONARDO ML 440 BRACKET	400	180/330	440	110
SCD500124	LEONARDO ML 500 BRACKET	400	230/390	500	130
SCD500125	LEONARDO ML 560 BRACKET	400	270/450	560	150
SCD500192	LEONARDO ML L650 BRACKET	400	340/540	650	150

new

WALL BAR L 1000

FOR GIOTTO, GALILEO AND LEONARDO BRACKETS

WALL BAR

TECHNICAL SPECIFICATIONS

- MADE OF ELECTRO-GALVANISED SHEET METAL
- EXTERNAL POLYESTER PAINTING
- COMPATIBLE WITH ALL SHELVES SERIES: "GIOTTO", "GALILEO" AND "LEONARDO"

BARRE MURALE

CARACTÉRISTIQUES TECHNIQUES

- EN TÔLE ÉLECTRO-GALVANISÉE
- PEINTURE POLYESTER D'EXTÉRIEUR
- COMPATIBLE AVEC TOUTS LES SUPPORTS DES SÉRIES: « GIOTTO », « GALILEO » ET « LEONARDO »

WANDSTANGE

TECHNISCHE EIGENSCHAFTEN

- AUS ELEKTRO-GALVANISIERTEM BLECH
- POLYESTERBESCHICHTUNG FÜR DEN AUSSENBEREICH
- KOMPATIBEL MIT ALLEN REGALEN DER SERIE: "GIOTTO", "GALILEO" UND "LEONARDO"

new

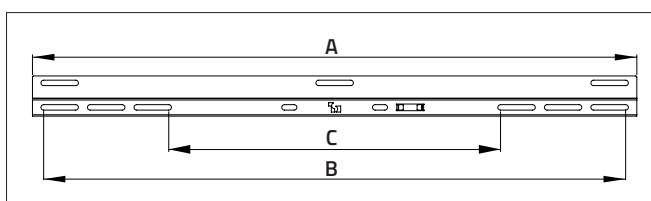


MADE IN ITALY

RAL 9002



DOWNLOAD DATASHEET



CODE	DESCRIPTION	DIMENSIONS		
		A [mm]	B [mm]	C [mm]
SCD500161	WALL BAR L.1000 FOR GIOTTO - GALILEO - LEONARDO BRACKETS	1000	960	550

STANDARD TSE

 BRACKET

 SUPPORT

 KONSOLE

TECHNICAL SPECIFICATIONS

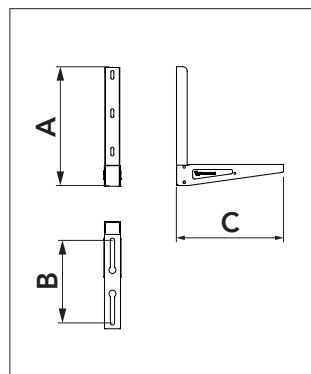
- MADE OF ELECTRO-GALVANISED SHEET METAL
- EXTERNAL POLYESTER PAINTING RAL 9002
- READY FOR CONDENSATE TRAP
- "NO-SHOCK" SLIDING VIBRATION DAMPERS SUPPLIED
- FIXING PLUGS

CARACTÉRISTIQUES TECHNIQUES

- EN TÔLE ÉLECTRO-GALVANISÉE
- PEINTURE POLYESTER D'EXTÉRIEUR RAL 9002
- PRÉDISPOSÉ POUR LE BASSIN DE COLLECTE DES CONDENSATS
- PLOTS ANTI-VIBRATIONS COULISSANTS "NO-SHOCK" FOURNIS
- CHEVILLES DE FIXATION

TECHNISCHE EIGENSCHAFTEN

- AUS ELEKTRO-GALVANISIERTEM BLECH
- POLYESTERBESCHICHTUNG FÜR DEN AUSSENBEREICH RAL 9002
- VORBEREITET FÜR KONDENSATSAMMELBECKEN
- "NO-SHOCK" GLEITENDE SCHWINGUNGSDÄMPFER MITGELIEFERT
- BEFESTIGUNGSDÜBEL



KG
TESTED UP TO
525 kg!



 MADE IN ITALY




DOWNLOAD
DATASHEET

 FOR OUR RANGE OF
ANTIVIBRATION SEE AT PAG. 175

CODE	DESCRIPTION	DIMENSIONS			FIXING PLUGS	LOAD CAPACITY [kg]
		A [mm]	B[mm]	C [mm]		
11100031	STANDARD TSE - 140 BRACKET	400	120/280	360	INCLUDED	140
11100023	STANDARD TSE - 160 BRACKET	400	140/370	460	INCLUDED	160
11100021	STANDARD TSE - 180 BRACKET	400	240/420	510	INCLUDED	180
111000216	STANDARD TSE - 210 BRACKET	440	240/500	600	INCLUDED	210
11100025	STANDARD TSE - 250 BRACKET	750	190/490	600	NOT INCLUDED	250
11100026	STANDARD TSE - 300 BRACKET	750	300/550	680	NOT INCLUDED	300
11100027	STANDARD TSE - 350 BRACKET	750	300/630	750	NOT INCLUDED	350

INDUSTRIALE TSE

 BRACKET

 SUPPORT

 KONSOLE

TECHNICAL SPECIFICATIONS

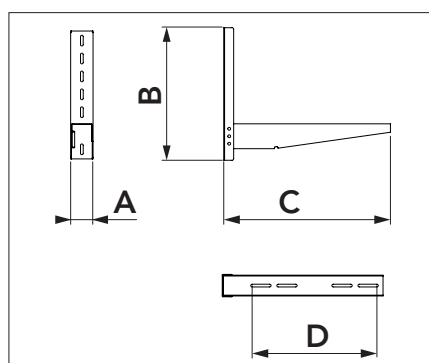
- MADE OF ELECTRO-GALVANISED SHEET METAL
- EXTERNAL POLYESTER PAINTING RAL 9002
- FIXING PLUGS AND VIBRATION DAMPERS NOT INCLUDED

CARACTÉRISTIQUES TECHNIQUES

- EN TÔLE ÉLECTRO-GALVANISÉE
- PEINTURE POLYESTER D'EXTÉRIEUR RAL 9002
- CHEVILLES DE FIXATION ET ANTI-VIBRATIONS NON INCLUSES

TECHNISCHE EIGENSCHAFTEN

- AUS ELEKTRO-GALVANISIERTEM BLECH
- POLYESTERBESCHICHTUNG FÜR DEN AUSSENBEREICH RAL 9002
- BEFESTIGUNGS- UND SCHWINGUNGSDÄMPFENDE DÜBEL NICHT MITGELIEFERT



 FOR INDUSTRY CONDENSATE DRAIN PAN SEE PAG. 75

KG
TESTED UP TO
825 kg!



 MADE IN ITALY



DOWNLOAD
DATASHEET

THESE SHELVES ARE SUITABLE FOR MOUNTING VRF - VRV - AIR HANDLING UNITS - REFRIGERATOR UNITS - HOT AIR GENERATORS

CODE	DESCRIPTION	DIMENSIONS				LOAD CAPACITY [kg]
		A [mm]	B [mm]	C [mm]	D [mm]	
SCD500008	INDUSTRIAL TSE 400 BRACKET	140	800	1006	780	400
SCD500009	INDUSTRIAL TSE 450 BRACKET	140	800	1205	940	450
SCD500022	INDUSTRIAL TSE 500 BRACKET	140	850	1405	1180	500
SCD500023	INDUSTRIAL TSE 550 BRACKET	140	850	1605	1380	550

KEPLERO SKP 120 A



STAINLESS STEEL
WALL BRACKET



SUPPORT AU MUR
EN ACIER INOXYDABLE



EDELSTAHL
WANDKONSOLE

"NO-SHOCK" SLIDING VIBRATION
DAMPERS SUPPLIED

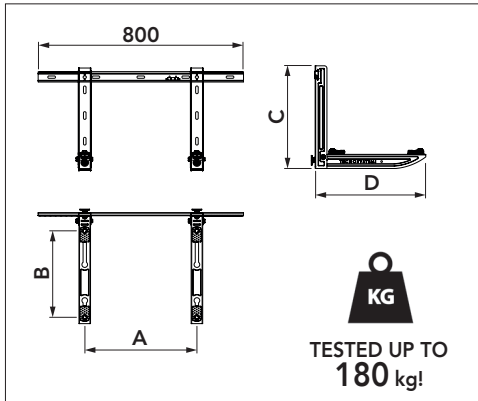
PLOTS ANTI-VIBRATIONS COULISSANTS
"NO-SHOCK" FOURNIS

"NO-SHOCK" GLEITENDE SCHWINGUNGSDÄMPFER
IM LIEFERUMFANG ENTHALTEN

SHEET METAL + AISI 316
STAINLESS STEEL BOLTS

TÔLE + BOULONS
EN ACIER INOXYDABLE AISI 316

BLECH- + AISI 316
EDELSTAHLSCHRAUBEN



DOWNLOAD
DATASHEET

MADE IN ITALY

CODE	DESCRIPTION	DIMENSIONS				LOAD CAPACITY [kg]
		A [mm]	B [mm]	C [mm]	D [mm]	
1100097A	"KEPLERO INOX SKP 120 A" BRACKET	350/750	180/340	400	430	120

GALILEO SGL120 A



STAINLESS STEEL
WALL BRACKET



SUPPORT AU MUR
EN ACIER INOXYDABLE



EDELSTAHL
WANDKONSOLE

"NO-SHOCK" SLIDING VIBRATION
DAMPERS SUPPLIED

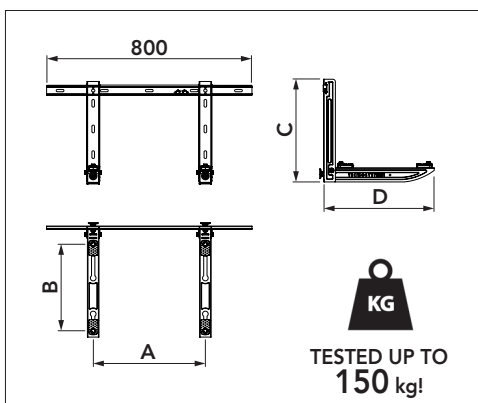
PLOTS ANTI-VIBRATIONS COULISSANTS
« NO-SHOCK » FOURNIS

"NO-SHOCK" GLEITENDE SCHWINGUNGSDÄMPFER
IM LIEFERUMFANG ENTHALTEN

SHEET METAL + AISI 316
STAINLESS STEEL BOLTS

TÔLE + BOULONS
EN ACIER INOXYDABLE AISI 316

BLECH- + AISI 316
EDELSTAHLSCHRAUBEN



DOWNLOAD
DATASHEET

MADE IN ITALY

CODE	DESCRIPTION	DIMENSIONS				LOAD CAPACITY [kg]
		A [mm]	B [mm]	C [mm]	D [mm]	
1110007A	GALILEO SGL 120ABRACKET	440/750	180/340	400	430	100

STANDARD INOX TSM 140 A

 **STAINLESS STEEL
TELESCOPIC WALL BRACKET**

 **SUPPORT TÉLESCOPIQUE AU
MUR EN ACIER INOXYDABLE**

 **TELEKOPISCHE EDELSTAHL
WANDKONSOLE**

**"NO-SHOCK" SLIDING VIBRATION
DAMPERS SUPPLIED**

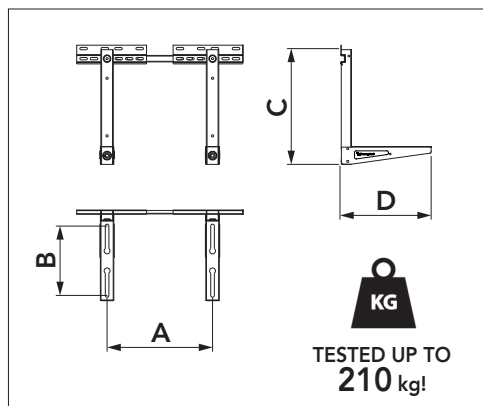
**PLOTS ANTI-VIBRATIONS COULISSANTS
« NO-SHOCK » FOURNIS**

**"NO-SHOCK" GLEITENDE SCHWINGUNGSDÄMPFER
IM LIEFERUMFANG ENTHALTEN**

**SHEET METAL + AISI 316
STAINLESS STEEL BOLTS**

**TÔLE + BOULONS
EN ACIER INOXYDABLE AISI 316**

**BLECH- + AISI 316
EDELSTAHLSCHAUBEN**



 **MADE IN ITALY**




**DOWNLOAD
DATASHEET**

CODE	DESCRIPTION	DIMENSIONS				LOAD CAPACITY [kg]
		A [mm]	B [mm]	C [mm]	D [mm]	
11100003A	"STANDARD INOX TSM 140 A" STAINLESS STEEL TELESCOPIC WALL BRACKET	420/760	120/280	480	360	140

GALILEO MGL 120 A

 **STAINLESS STEEL BRACKET**

 **SUPPORT EN ACIER INOXYDABLE**

 **EDELSTAHL KONSOLE**

**"NO-SHOCK" SLIDING VIBRATION
DAMPERS SUPPLIED**

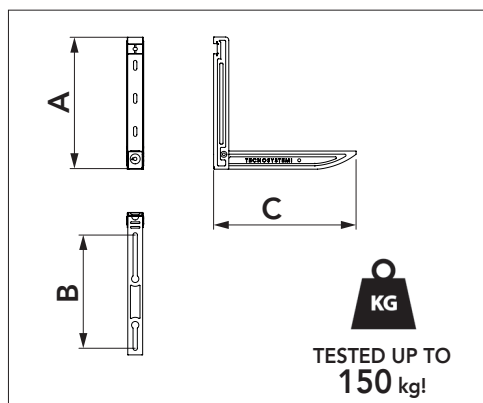
**PLOTS ANTI-VIBRATIONS COULISSANTS
« NO-SHOCK » FOURNIS**

**"NO-SHOCK" GLEITENDE SCHWINGUNGSDÄMPFER
IM LIEFERUMFANG ENTHALTEN**

**SHEET METAL + AISI 316
STAINLESS STEEL BOLTS**

**TÔLE + BOULONS
EN ACIER INOXYDABLE AISI 316**

**BLECH- + AISI 316
EDELSTAHLSCHAUBEN**



 **MADE IN ITALY**



**DOWNLOAD
DATASHEET**

CODE	DESCRIPTION	DIMENSIONS			LOAD CAPACITY [kg]
		A [mm]	B [mm]	C [mm]	
11100008A	"GALILEO MGL 120 A" STAINLESS STEEL BRACKET	400	180/340	430	100



**NO MORE
RUST**

FROM NOW ON

SPIRIT

THE "SPIRIT" BRACKET IS AN IDEAL PRODUCT FOR APPLICATIONS IN COASTAL AREAS WITH A HIGH SALINITY LEVEL. IT IS DISTINGUISHED FOR ITS INNOVATIVE DESIGN AND ITS PRACTICAL ATTACHMENT SYSTEM DESIGNED TO FACILITATE INSTALLATION AND TO OPTIMISE WAREHOUSE STORAGE. THE "SPIRIT" SHELF IS MADE OF "PA6" PLASTIC, SHOCKPROOF AND UVA-PROOF MATERIAL AND IS DESIGNED TO WITHSTAND LOADS OF UP TO 100 KG.

PA6

Polyamide 6

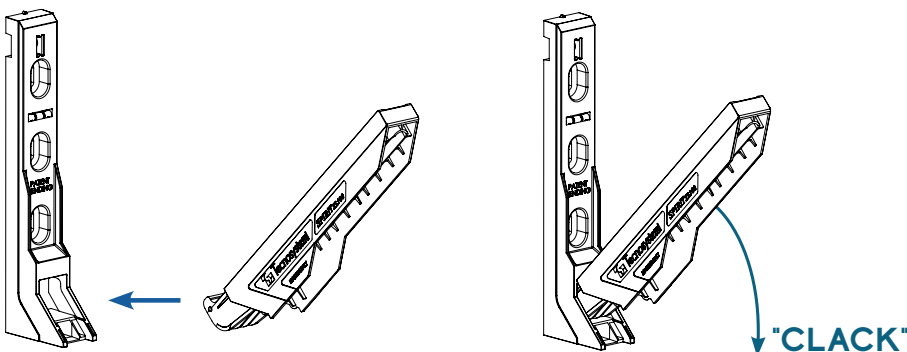
PA6 is a plastic material, in particular a polyamide with the following characteristics: **excellent mechanical characteristics and superior wear resistance**. PA6 has good resistance to mechanical stress even at low temperatures.



ACCELERATED
AGEING TEST



INNOVATIVE ATTACHMENT SYSTEM

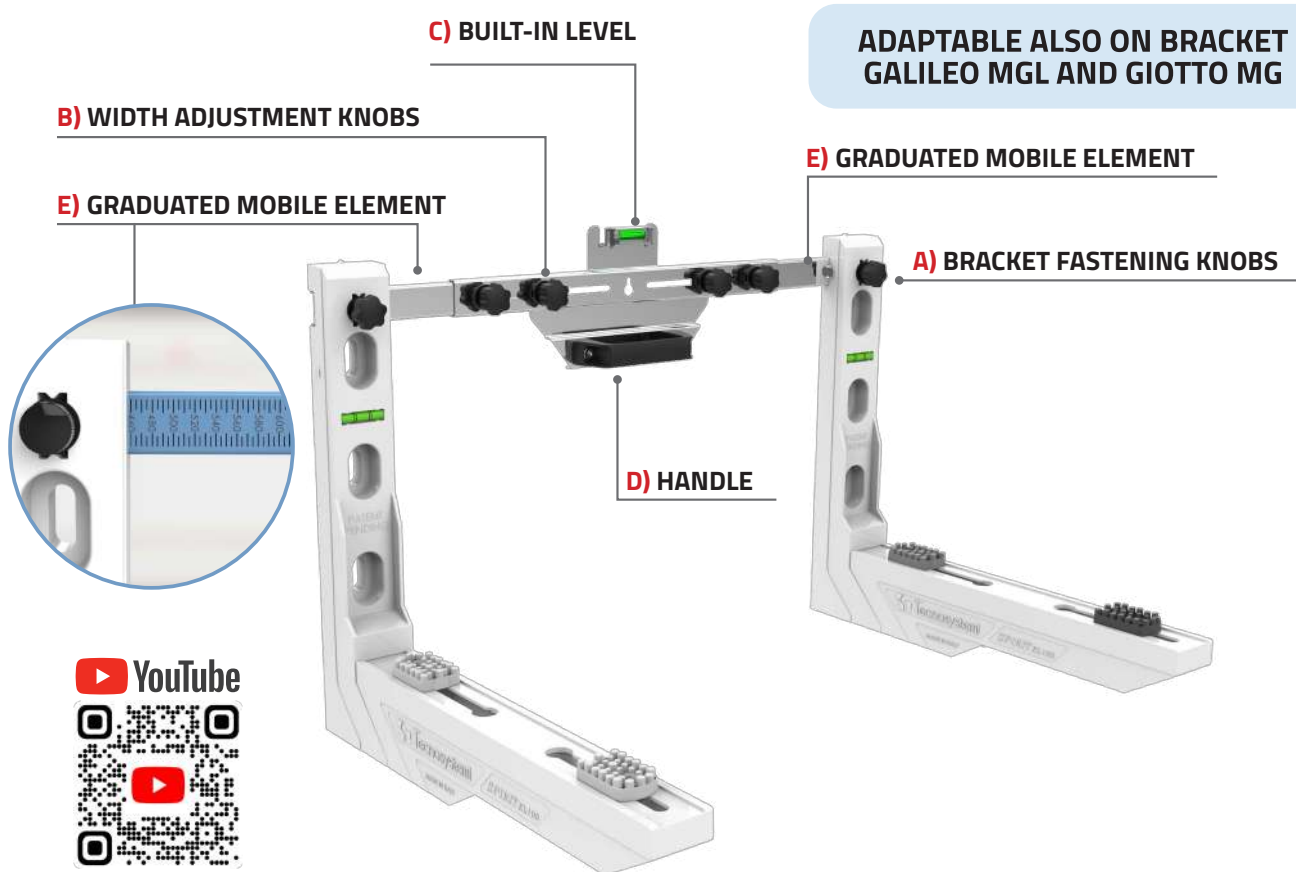


Spirit stands out for its innovative design and its practical attachment system designed to facilitate installation and to optimise warehouse storage.

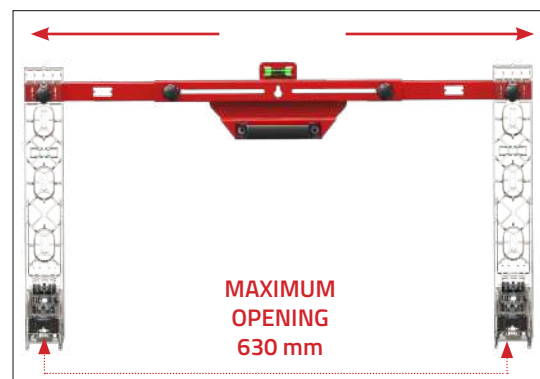
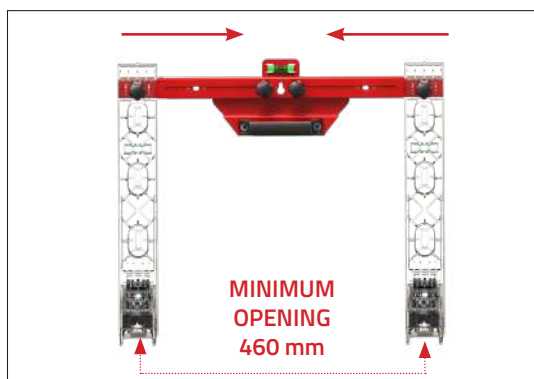
REUSABLE TELESCOPIC ADJUSTMENT BAR FOR ASSEMBLY FOR SPIRIT XL100 - XS100 SHELF

USING THE REUSABLE TELESCOPIC BAR, WALL INSTALLATIONS BECOME A SIMPLE TASK.

1. FIX VIA THE KNOBS (A) THE BRACKETS TO THE TELESCOPIC BARS (E).
2. ADJUST THE DESIRED WIDTH VIA THE TELESCOPIC BARS (E) AND CLOSE USING THE ADJUSTMENT KNOBS (B).
3. GRIP THE HANDLE (D), PLACE THE BRACKET WITH THE TELESCOPIC BAR INSTALLED ON THE WALL, LEVEL (C) AND WITH A PENCIL MARK THE DRILLING POINT WITHIN THE SLOTS
4. AFTER MAKING THE HOLES AND HAVING INSERTED THE PLUGS, REPOSITION EVERYTHING ON THE WALL USING THE HANDLE (D), INSERT THE FASTENING SCREWS AND, BEFORE FINAL CLOSURE, LEVEL (C).
5. AT THE END OF THE OPERATION UNSCREW AND REMOVE THE KNOBS (A), SLIGHTLY LOOSEN THE ADJUSTMENT KNOBS (B), SLIDE THE 2 TELESCOPIC BARS (E) TOWARDS THE INSIDE AND AGAIN VIA THE PRACTICAL HANDLE REMOVE THE TELESCOPIC ADJUSTMENT BAR



PATENTED PRODUCT



SPIRIT XL100 - XS100

 BRACKET

 SUPPORT

 KONSOLE

TECHNICAL SPECIFICATIONS

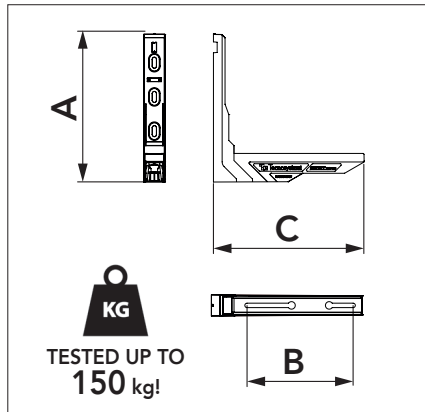
- MADE OF PA6
- INCLUDES SPIRIT LEVEL (PLUS VERSION)
- "NO-SHOCK" SLIDING VIBRATION DAMPERS SUPPLIED (PLUS VERSION)
- FIXING PLUGS
- READY FOR FASTENING BLUE RIVER CONDENSATE TRAP

CARACTÉRISTIQUES TECHNIQUES

- FABRIQUÉ À PARTIR DE PA6
- LIVRÉ AVEC UNE BULLE (EN VERSION PLUS)
- PLOTS ANTI-VIBRATIONS COULISSANTS "NO-SHOCK" FOURNIS (EN VERSION PLUS)
- CHEVILLES DE FIXATION
- PRÉDISPOSÉ POUR LA RÉPARATION DU BASSIN COLLECTEUR DE CONDENSATS BLUE RIVER

TECHNISCHE EIGENSCHAFTEN

- HERGESTELLT AUS PA6
- WASSERWAAGE MITGELIEFERT (IN PLUS-VERSION)
- "NO-SHOCK" GLEITENDE SCHWINGUNGSDÄMPFER MITGELIEFERT (IN PLUS-VERSION)
- BEFESTIGUNGSDÜBEL
- VORBEREITET FÜR DIE BEFESTIGUNG DES BLUE RIVER KONDENSATSAMMELBECKENS



 MADE IN ITALY

SPIRIT

 TESTED AND GUARANTEED

 IDEAL FOR LOCATION NEAR THE SEE WITH HIGH SALINITY



SUPPLIED WITH "BASIC MODEL"



- FIXING PLUGS

SUPPLIED WITH "PLUS MODEL"

- SPIRIT LEVEL
- FIXING PLUGS
- "NO-SHOCK" SLIDING VIBRATION DAMPERS
- STAINLESS STEEL SCREWS



DOWNLOAD DATASHEET

CODE	DESCRIPTION	DIMENSIONS			LOAD C.
		A [mm]	B [mm]	C [mm]	[kg]
SCD500064	SPIRIT XS100 BASIC BRACKET	430	130+310	440	100
SCD500065	SPIRIT XL100 BASIC BRACKET	430	130+370	500	100
 SCD500157	SPIRIT XS100 PLUS BRACKET WITH STAINLESS STEEL SCREWS	430	130+310	440	100
 SCD500158	SPIRIT XL100 PLUS BRACKET WITH STAINLESS STEEL SCREWS	430	130+370	500	100

SPIRIT

 TELESCOPIC ADJUSTMENT BAR BRACKET

 BARRE DE RÉGLAGE TÉLESCOPIQUE DU SUPPORT

 TELESKOP-REGALVERSTELLSTANGE

TECHNICAL SPECIFICATIONS

- MADE OF ELECTRO-GALVANISED SHEET METAL
- INCLUDES SPIRIT LEVEL
- BUILT-IN HANDLE
- LOCKING KNOBS
- REUSABLE AFTER INSTALLATION

CARACTÉRISTIQUES TECHNIQUES

- EN TÔLE ÉLECTRO-GALVANISÉE
- LIVRÉ AVEC UNE BULLE
- POIGNÉE INTÉGRÉE
- BOUTONS DE FERMETURE
- RÉUTILISABLE APRÈS L'INSTALLATION

TECHNISCHE EIGENSCHAFTEN

- AUS ELEKTRO-GALVANISIERTEM BLECH
- WASSERWAAGE MITGELIEFERT
- INTEGRIERTER GRIFF
- VERRIEGELUNGSKNÖPFE
- WIEDERVERWENDBAR NACH DER MONTAGE



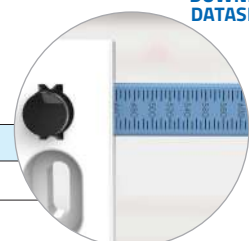
 MADE IN ITALY



DOWNLOAD DATASHEET

 SUITABLE ALSO WITH GALILEO MGL AND GIOTTO MG BRACKETS

CODE	DESCRIPTION
SCD500070	"SPIRIT" TELESCOPIC ADJUSTMENT BAR BRACKET



TSTT 140 T

 TELESCOPIC TRANSVERSE ROOF BRACKET

 SUPPORT DE TOIT TRANSVERSAL TELESCOPIQUE

 TELESKOPISCHER QUERDACHKONSOLE

TECHNICAL SPECIFICATIONS

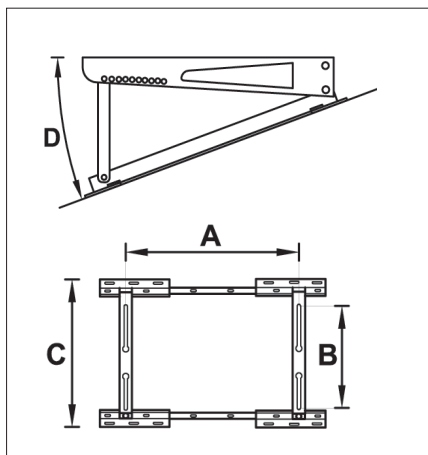
- MADE OF ELECTRO-GALVANISED SHEET METAL
- ADJUSTABLE TILT FROM 14° TO 27°
- EXTERNAL POLYESTER PAINTING RAL 9002
- TELESCOPIC BAR
- "NO-SHOCK" SLIDING VIBRATION DAMPERS SUPPLIED
- FIXING PLUGS WITH CHAIN
- RUBBER SLIDING FEET

CARACTÉRISTIQUES TECHNIQUES

- EN TÔLE ÉLECTRO-GALVANISÉE
- INCLINAISON RÉGLABLE DE 14° À 27°
- PEINTURE POLYESTER D'EXTÉRIEUR RAL 9002
- BARRE TÉLESKOPIQUE
- PLOTS ANTI-VIBRATIONS COULISSANTS "NO-SHOCK" FOURNIS
- CHEVILLES DE FIXATION AVEC CHAÎNE
- PIEDS COULISSANTS EN CAOUTCHOUC

TECHNISCHE EIGENSCHAFTEN

- AUS ELEKTRO-GALVANISIERTEM BLECH
- EINSTELLBARE NEIGUNG VON 14° BIS 27°
- POLYESTERBESCHICHTUNG FÜR DEN AUSSENBEREICH RAL 9002
- TELESKOPSTANGE
- "NO-SHOCK" GLEITENDE SCHWINGUNGSDÄMPFER MITGELIEFERT
- WANDBEFESTIGUNG MIT KETTE
- GUMMIGLEITFÜSSE



 MADE IN ITALY



DOWNLOAD DATASHEET

CODE	DESCRIPTION	DIMENSIONS				LOAD CAPACITY
		A [mm]	B [mm]	C [mm]	D [mm]	[kg]
11100005	"TSTT-140 T" TELESCOPIC TRANSVERSE ROOF BRACKET	130/600	140/370	500	14°~27°	140

TSTT 140 N

 TRANSVERSE ROOF BRACKET

 SUPPORT DE TOIT TRANSVERSAL

 QUERDACHKONSOLE

TECHNICAL SPECIFICATIONS

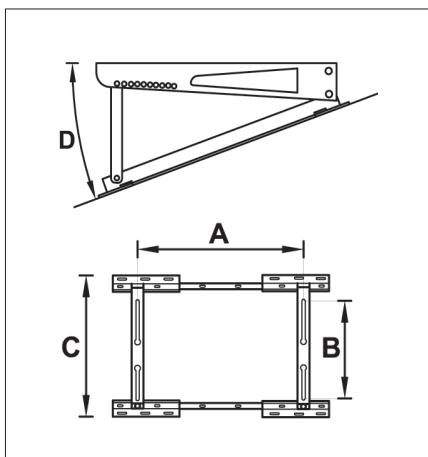
- MADE OF ELECTRO-GALVANISED SHEET METAL
- ADJUSTABLE TILT FROM 14° TO 27°
- EXTERNAL POLYESTER PAINTING RAL 9002
- "NO-SHOCK" SLIDING VIBRATION DAMPERS SUPPLIED
- FIXING PLUGS
- NON-TELESKOPIQUE

CARACTÉRISTIQUES TECHNIQUES

- EN TÔLE ÉLECTRO-GALVANISÉE
- INCLINAISON RÉGLABLE DE 14° À 27°
- PEINTURE POLYESTER D'EXTÉRIEUR RAL 9002
- PLOTS ANTI-VIBRATIONS COULISSANTS "NO-SHOCK" FOURNIS
- CHEVILLES DE FIXATION
- NON TÉLESKOPIQUE

TECHNISCHE EIGENSCHAFTEN

- AUS ELEKTRO-GALVANISIERTEM BLECH
- EINSTELLBARE NEIGUNG VON 14° BIS 27°
- POLYESTERBESCHICHTUNG FÜR DEN AUSSENBEREICH RAL 9002
- "NO-SHOCK" GLEITENDE SCHWINGUNGSDÄMPFER MITGELIEFERT
- BEFESTIGUNGSDÜBEL
- NICHT TELESKOPISCH



 MADE IN ITALY



DOWNLOAD DATASHEET

CODE	DESCRIPTION	DIMENSIONS				LOAD CAPACITY
		A [mm]	B [mm]	C [mm]	D [mm]	[kg]
11100009	"TSTT-140 N" NON-TELESKOPIQUE TRANSVERSE ROOF BRACKET	350/750	140/370	500	14°~27°	140

TSTT 140 A



TRANSVERSE ROOF BRACKET FOR CRIMPED SHEET METAL



SUPPORT TRANSVERSAL DE TOIT POUR TÔLE SERTIE



DACHQUERHALTER FÜR FALZBLECH

TECHNICAL SPECIFICATIONS

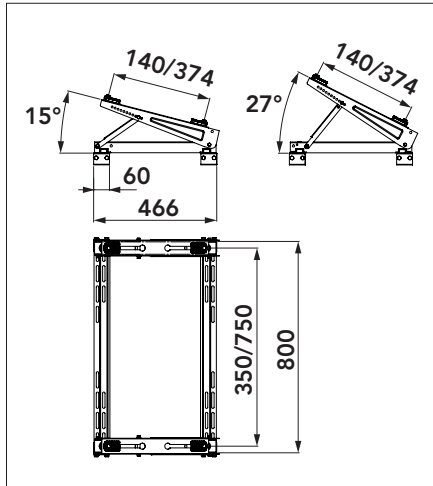
- MADE OF ELECTRO-GALVANISED SHEET METAL
- ADJUSTABLE TILT FROM 14° TO 27°
- EXTERNAL POLYESTER PAINTING RAL 9002
- "NO-SHOCK" SLIDING VIBRATION DAMPERS SUPPLIED

CARACTÉRISTIQUES TECHNIQUES

- EN TÔLE ÉLECTRO-GALVANISÉE
- INCLINAISON RÉGLABLE DE 14° À 27°
- PEINTURE POLYESTER D'EXTÉRIEUR RAL 9002
- PLOTS ANTI-VIBRATIONS COULISSANTS "NO-SHOCK" FOURNIS

TECHNISCHE EIGENSCHAFTEN

- AUS ELEKTRO-GALVANISIERTEM BLECH
- EINSTELLBARE NEIGUNG VON 14° BIS 27°
- POLYESTERBESCHICHTUNG FÜR DEN AUSSENBEREICH RAL 9002
- "NO-SHOCK" GLEITENDE SCHWINGUNGSDÄMPFER MITGELIEFERT



CODE	DESCRIPTION	LOAD CAPACITY [kg]
SCD500109	"TSTT-140 A" TRANSVERSE ROOF BRACKET FOR CRIMPED SHEET METAL	140

TSTL 140



ELECTRO-GALVANISED LONGITUDINAL ROOF BRACKET



SUPPORT LONGITUDINAL DE TOIT ÉLECTRO-GALVANISÉ



ELEKTROVERZINKTER DACHLÄNGSKONSOLE

TECHNICAL SPECIFICATIONS

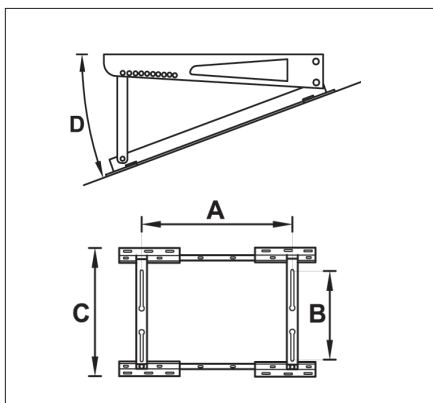
- MADE OF ELECTRO-GALVANISED SHEET METAL
- ADJUSTABLE TILT FROM 10° TO 30°
- EXTERNAL POLYESTER PAINTING RAL 9002
- TELESCOPIC BAR
- "NO-SHOCK" SLIDING VIBRATION DAMPERS SUPPLIED
- FIXING PLUGS WITH CHAIN
- RUBBER FEET WITH ANTI-VIBRATION SLIDING

CARACTÉRISTIQUES TECHNIQUES

- EN TÔLE ÉLECTRO-GALVANISÉE
- INCLINAISON RÉGLABLE DE 10° À 30°
- PEINTURE POLYESTER D'EXTÉRIEUR RAL 9002
- BARRE TÉLESCOPIQUE
- PLOTS ANTI-VIBRATIONS COULISSANTS "NO-SHOCK" FOURNIS
- CHEVILLES DE FIXATION AVEC CHAÎNE
- PIEDS EN CAOUTCHOUC ANTI-VIBRATIONS

TECHNISCHE EIGENSCHAFTEN

- AUS ELEKTRO-GALVANISIERTEM BLECH
- EINSTELLBARE NEIGUNG VON 10° BIS 30°
- POLYESTERBESCHICHTUNG FÜR DEN AUSSENBEREICH RAL 9002
- TELESKOPSTANGE
- "NO-SHOCK" GLEITENDE SCHWINGUNGSDÄMPFER MITGELIEFERT
- WANDBEFESTIGUNG MIT KETTE
- SCHWINGUNGSDÄMPFENDE GUMMIGLEITFÜSSE



CODE	DESCRIPTION	DIMENSIONS				LOAD CAPACITY [kg]
		A [mm]	B [mm]	C [mm]	D [mm]	
11100004	TSTL - 140 ELECTRO-GALVANISED LONGITUDINAL ROOF BRACKET	130/680	450/800	1000/1135	13°~24°	140

TSCT



TELESCOPIC WALL BRACKET FOR CLADDING

TECHNICAL SPECIFICATIONS

- MADE OF ELECTRO-GALVANISED SHEET METAL
- EXTERNAL POLYESTER PAINTING RAL 9002
- VIBRATION DAMPERS SUPPLIED
- TEMPLATE SUPPLIED



SUPPORT TÉLESCOPIQUE POUR MANTEAU THERMIQUE

CARACTÉRISTIQUES TECHNIQUES

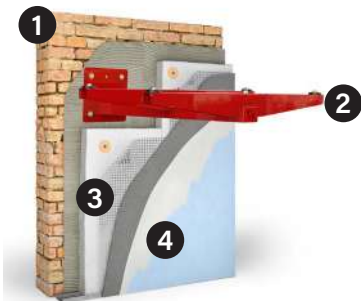
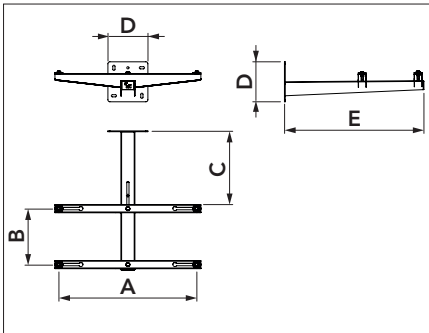
- EN TÔLE ÉLECTRO-GALVANISÉE
- PEINTURE POLYESTER D'EXTÉRIEUR
- PLOTS ANTI-VIBRATIONS FOURNIS
- GABARIT FOURNIS



TELESKOPISCHE WANDKONSOLE FÜR AUßENWÄRMEDÄMMUNG

TECHNISCHE EIGENSCHAFTEN

- AUS ELEKTRO-GALVANISIERTEM BLECH
- POLYESTERBESCHICHTUNG FÜR DEN AUSSENBEREICH RAL 9002
- SCHWINGUNGSDÄMPFER WERDEN MITGELIEFERT
- MITGELIEFERTEN SCHABLONE



INSTALLATION EXAMPLE

1. MASONRY
2. BRACKET
3. COAT
4. PLASTER



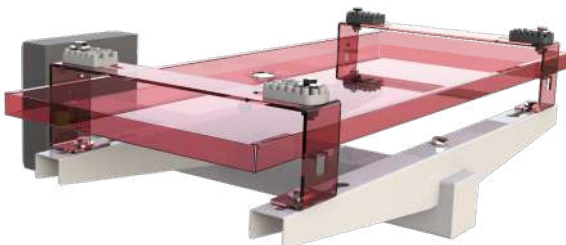
EXEMPLE D'INSTALLATION

1. MAÇONNERIE
2. SUPPORT
3. MANTEAU
4. PLÂTRE



INSTALLATIONSBEISPIEL

1. MAUERWERK
2. HALTERUNG
3. MANTEL
4. GIPS



POSSIBILITY OF INSTALLING THE SCD50080 TRAY SUPPORT ON THE INSULATION BRACKET

MADE IN ITALY

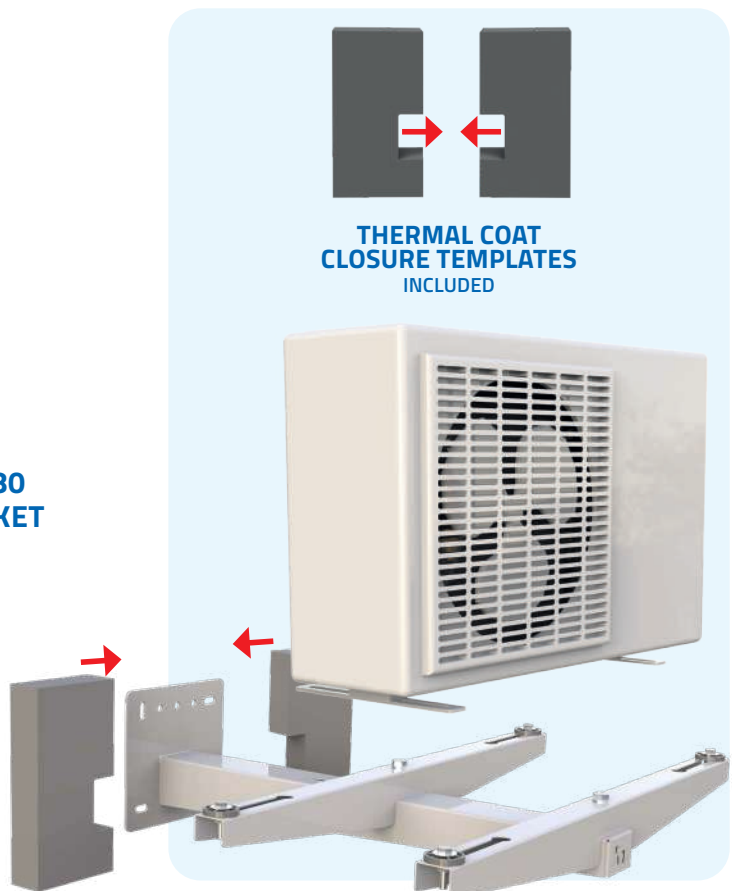
YouTube



VIDEO



DOWNLOAD DATASHEET



CODE	DESCRIPTION	DIMENSIONS					LOAD CAPACITY [kg]
		A [mm]	B [mm]	C [mm]	D [mm]	E [mm]	
SCD500141	TSCT TELESCOPIC BRACKET FOR THERMAL COAT	490 ÷ 690	230 ÷ 410	230 ÷ 410	200	700	90

TMPC



BRACKET FOR THERMAL PRE-INSULATION



ÉTAGÈRE DE PRÉ-COUCHE THERMIQUE



VOR-MANTELKONSOLE

TECHNICAL SPECIFICATIONS

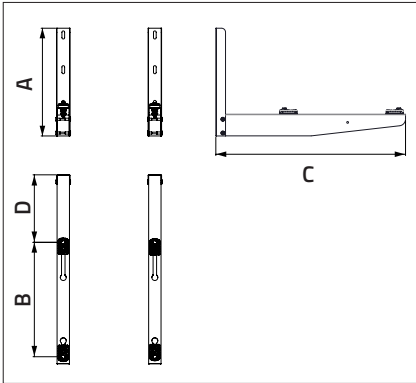
- MADE OF ELECTRO-GALVANISED SHEET METAL
- EXTERNAL POLYESTER PAINTING RAL 9002
- VIBRATION DAMPERS SUPPLIED TEMPLATE SUPPLIED

CARACTÉRISTIQUES TECHNIQUES

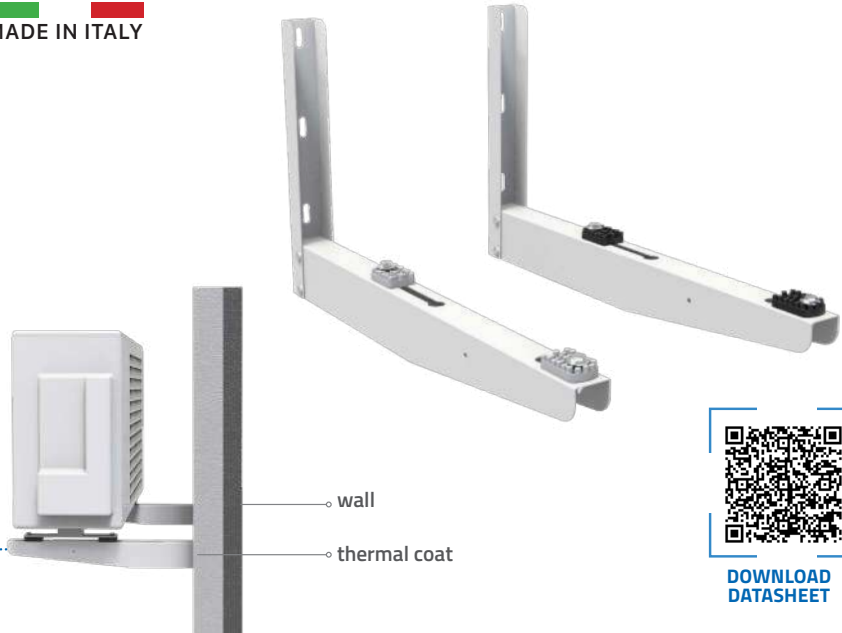
- EN TÔLE ÉLECTRO-GALVANISÉE
- PEINTURE POLYESTER D'EXTÉRIEUR
- SUPPORTS ANTI-VIBRATIONS COULISSANTS « NO-SHOCK » FOURNIS

TECHNISCHE EIGENSCHAFTEN

- AUS ELEKTRO-GALVANISIERTEM BLECH
- POLYESTERBESCHICHTUNG FÜR DEN AUSSENBEREICH
- „NO-SHOCK“ GLEITENDE SCHWINGUNGSDÄMPFER WERDEN MITGELIEFERT



MADE IN ITALY



DOWNLOAD DATASHEET

INSTALLATION EXAMPLE

CODE	DESCRIPTION	DIMENSIONS				LOAD CAPACITY [kg]
		A [mm]	B [mm]	C [mm]	D [mm]	
SCD500160	BRACKET FOR THERMAL PRE-INSULATION TMPC 750	400	270÷475	750	250÷415	90
SCD500162	BRACKET FOR THERMAL PRE-INSULATION TMPC 850	400	270÷525	850	300÷515	90

TMB



LONGITUDINAL WALL BRACKET



SUPPORT LONGITUDINAL À DRAPEAU



LÄNGSFAHNENREGAL

TECHNICAL SPECIFICATIONS

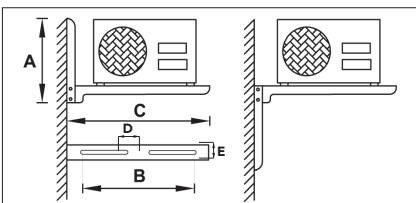
- MADE OF ELECTRO-GALVANISED SHEET METAL
- EXTERNAL POLYESTER PAINTING
- „NO-SHOCK“ SLIDING VIBRATION DAMPERS SUPPLIED

CARACTÉRISTIQUES TECHNIQUES

- EN TÔLE ÉLECTRO-GALVANISÉE
- PEINTURE POLYESTER D'EXTÉRIEUR
- PLOTS ANTI-VIBRATIONS COULISSANTS « NO-SHOCK » FOURNIS

TECHNISCHE EIGENSCHAFTEN

- AUS ELEKTRO-GALVANISIERTEM BLECH
- POLYESTERBESCHICHTUNG FÜR DEN AUSSENBEREICH
- „NO-SHOCK“ GLEITENDE SCHWINGUNGSDÄMPFER IM LIEFERUMFANG ENTHALTEN



MADE IN ITALY



DOWNLOAD DATASHEET



CODE	DESCRIPTION	DIMENSIONS					LOAD CAPACITY [kg]
		A [mm]	B [mm]	C [mm]	D [mm]	E [mm]	
11100057	TMB LONGITUDINAL BRACKET - 70	400	640	750	400	50	70
11100058	TMB LONGITUDINAL BRACKET - 110	750	795	900	515	59	110
11100059	TMB LONGITUDINAL BRACKET - 140	750	945	1050	665	59	140

TSP

🇬🇧 SUSPENSION BRACKET

TECHNICAL SPECIFICATIONS

- MADE OF ELECTRO-GALVANISED SHEET METAL
- EXTERNAL POLYESTER PAINTING RAL 9002
- READY FOR CONDENSATE TRAP
- "NO-SHOCK" SLIDING VIBRATION DAMPERS SUPPLIED

🇫🇷 SUPPORT DE SUSPENSION

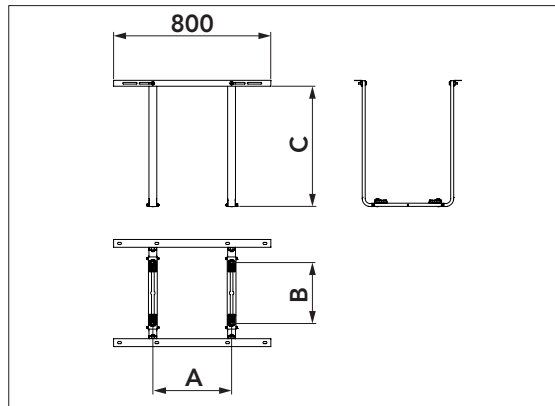
CARACTÉRISTIQUES TECHNIQUES

- EN TÔLE ÉLECTRO-GALVANISÉE
- PEINTURE POLYESTER D'EXTÉRIEUR RAL 9002
- PRÉDISPOSÉ POUR LE BASSIN DE COLLECTE DES CONDENSATS
- PLOTS ANTI-VIBRATIONS COULISSANTS "NO-SHOCK" FOURNIS

🇩🇪 AUFHÄNGEKONSOLE

TECHNISCHE EIGENSCHAFTEN

- AUS ELEKTRO-GALVANISIERTEM BLECH
- POLYESTERBESCHICHTUNG FÜR DEN AUSSENBEREICH RAL 9002
- VORBEREITET FÜR KONDENSATSAMMELBECKEN
- "NO-SHOCK" GLEITENDE SCHWINGUNGSDÄMPFER MITGELIEFERT



MADE IN ITALY



DOWNLOAD DATASHEET

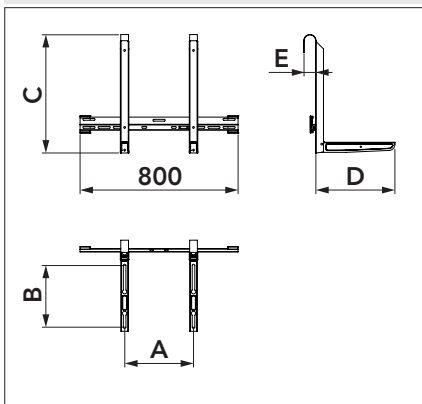
CODE	DESCRIPTION	DIMENSIONS			LOAD CAPACITY
		A [mm]	B [mm]	C [mm]	[kg]
11100035	TSP-80 SUSPENSION BRACKET	400-700	300	625	80
11100040	TSP-120 SUSPENSION BRACKET	400-700	300	725	120

MR

🇬🇧 RAILING BRACKET

TECHNICAL SPECIFICATIONS

- MADE OF ELECTRO-GALVANISED SHEET METAL
- EXTERNAL POLYESTER PAINTING
- READY FOR CONDENSATE TRAP
- "NO-SHOCK" SLIDING VIBRATION DAMPERS SUPPLIED
- "NO-SHOCK" SLIDING VIBRATION DAMPERS SUPPLIED



🇫🇷 ÉTAGÈRE GARDE-CORPS MR

CARACTÉRISTIQUES TECHNIQUES

- EN TÔLE ÉLECTRO-GALVANISÉE
- PEINTURE POLYESTER D'EXTÉRIEUR
- PRÉDISPOSÉ POUR LE BASSIN DE COLLECTE DES CONDENSATS
- PLOTS ANTI-VIBRATIONS COULISSANTS « NO-SHOCK » FOURNIS
- PLOTS ANTI-VIBRATIONS COULISSANTS « NO-SHOCK » FOURNIS

🇩🇪 MR GELÄNDERREGAL

TECHNISCHE EIGENSCHAFTEN

- AUS ELEKTRO-GALVANISIERTEM BLECH
- POLYESTERBESCHICHTUNG FÜR DEN AUSSENBEREICH
- VORBEREITET FÜR KONDENSATSAMMELBECKEN
- „NO-SHOCK“ GLEITENDE SCHWINGUNGSDÄMPFER IM LIEFERUMFANG ENTHALTEN



DOWNLOAD DATASHEET

MADE IN ITALY

CODE	DESCRIPTION	DIMENSIONS					LOAD CAPACITY
		A [mm]	B [mm]	C [mm]	D [mm]	E [mm]	[kg]
11100028	MR-70 RAILING BRACKET	350/760	150/310	600	400	60	70
11100029	MR-100 RAILING BRACKET	350/760	180/380	700	470	60	100

TMSP

WALL-HUNG BRACKET

SUPPORT SUSPENDU

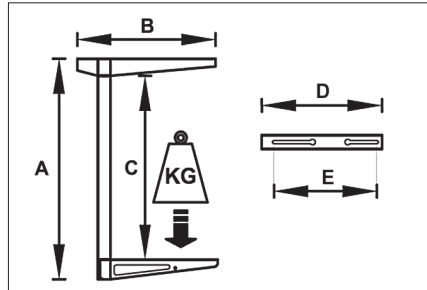
MADE IN ITALY

TECHNICAL SPECIFICATIONS

- MADE OF ELECTRO-GALVANISED SHEET METAL
- EXTERNAL POLYESTER PAINTING
- READY FOR CONDENSATE TRAP
- "NO-SHOCK" SLIDING VIBRATION DAMPERS SUPPLIED

CARACTÉRISTIQUES TECHNIQUES

- EN TÔLE ÉLECTRO-GALVANISÉE
- PEINTURE POLYESTER D'EXTÉRIEUR RAL 9002
- PRÉDISPOSÉ POUR LE BASSIN DE COLLECTE DES CONDENSATS
- PLOTS ANTI-VIBRATIONS COULISSANTS "NO-SHOCK" FOURNIS



HÄNGEKONSOLE

TECHNISCHE EIGENSCHAFTEN

- AUS ELEKTRO-GALVANISIERTEM BLECH
- POLYESTERBESCHICHTUNG FÜR DEN AUSSENBEREICH RAL 9002
- VORBEREITET FÜR KONDENSATSAMMELBECKEN
- "NO-SHOCK" GLEITENDE SCHWINGUNGSDÄMPFER MITGELIEFERT



DOWNLOAD DATASHEET

CODE	DESCRIPTION	DIMENSIONS					LOAD CAPACITY [kg]
		A [mm]	B [mm]	C [mm]	D [mm]	E [mm]	
11100041	TMSP-90 WALL-HUNG BRACKET	840	491	700	460	140/370	90
11100042	TMSP-130 WALL-HUNG BRACKET	1040	540	900	510	240/420	130

NORTHERN BRACKET "SN"

TECHNICAL SPECIFICATIONS

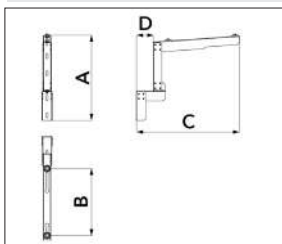
- MADE OF ELECTRO-GALVANISED SHEET METAL
- EXTERNAL POLYESTER PAINTING RAL 9002
- SLIDING VIBRATION DAMPERS SUPPLIED

CARACTÉRISTIQUES TECHNIQUES

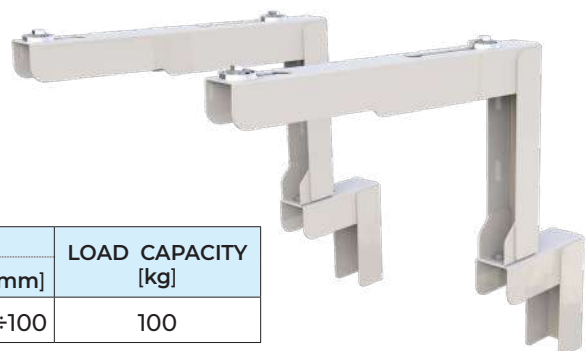
- EN TÔLE ÉLECTRO-GALVANISÉE
- PEINTURE POLYESTER D'EXTÉRIEUR RAL 9002
- PLOTS ANTI-VIBRATIONS COULISSANTS FOURNIS

TECHNISCHE EIGENSCHAFTEN

- AUS ELEKTRO-GALVANISIERTEM BLECH
- POLYESTERBESCHICHTUNG FÜR DEN AUSSENBEREICH RAL 9002
- GLEITENDE SCHWINGUNGSDÄMPFER MITGELIEFERT



DOWNLOAD DATASHEET



CODE	DESCRIPTION	DIMENSIONS				LOAD CAPACITY [kg]
		A [mm]	B [mm]	C [mm]	D [mm]	
SCD500113	NORTHERN BRACKET "SN"	460	225÷390	600	60÷100	100

TMS 100

CEILING BRACKET

SUPPORT AU PLAFOND

DECKENREGAL

TECHNICAL SPECIFICATIONS

- MADE OF ELECTRO-GALVANISED SHEET METAL
- EXTERNAL POLYESTER PAINTING

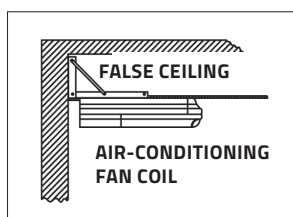
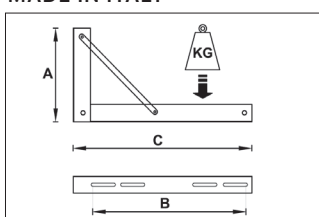
CARACTÉRISTIQUES TECHNIQUES

- EN TÔLE ÉLECTRO-GALVANISÉE
- PEINTURE POLYESTER D'EXTÉRIEUR

TECHNISCHE EIGENSCHAFTEN

- AUS ELEKTRO-GALVANISIERTEM BLECH
- POLYESTERBESCHICHTUNG FÜR DEN AUSSENBEREICH

MADE IN ITALY



DOWNLOAD DATASHEET

CODE	DESCRIPTION	DIMENSIONS			LOAD CAPACITY [kg]
		A [mm]	B [mm]	C [mm]	
11100022	TMS 100 CEILING BRACKET	250	150/550	600	100



INDICATED FOR FIXING ALL TYPES OF AIR CONDITIONING UNITS AND CEILING FANS



FLOOR MOUNT WITH VIBRATION-DAMPERS FOR SBP BASIN



SUPPORT AU SOL AVEC ANTI-VIBRATIONS POUR BAC SBP



BODENHALTERUNG MIT SCHWINGUNGSDÄMPFUNG FÜR SCHALE SBP

TECHNICAL SPECIFICATIONS

- MADE OF GALVANIZED SHEET METAL
- EXTERNAL POLYESTER PAINTING
- NO-SHOCK™ SLIDING VIBRATION DAMPERS SUPPLIED
- INCLUDES ADJUSTABLE FLOOR ANTI-VIBRATION FEET

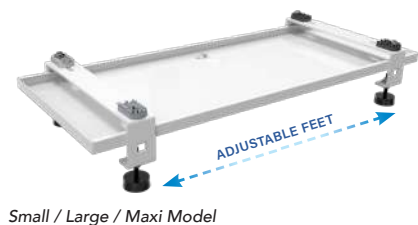
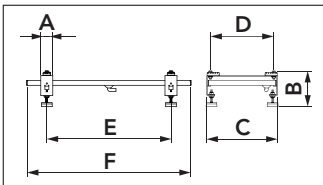
CARACTÉRISTIQUES TECHNIQUES

- FABRIQUÉ EN TÔLE GALVANISÉE
- PEINTURE POLYESTER D'EXTÉRIEUR
- PLOTS ANTI-VIBRATIONS COULISSANTS «NO-SHOCK» FOURNIS
- LIVRÉ AVEC PIEDS ANTI-VIBRATIONS RÉGLABLES AU SOL

TECHNISCHE EIGENSCHAFTEN

- AUS VERZINKTEM BLECH
- POLYESTERBESCHICHTUNG FÜR DEN AUSSENBEREICH
- „NO-SHOCK™“ GLEITENDE SCHWINGUNGSDÄMPFER IM LIEFERUMFANG ENTHALTEN
- KOMPLETT MIT VERSTELLBAREN, SCHWINGUNGSDÄMPFENDEN FÜSSEN AM BODEN

 MADE IN ITALY



DOWNLOAD DATASHEET

CODE	MODEL	DIMENSIONS						LOAD CAPACITY [kg]
		A [mm]	B [mm]	C [mm]	D [mm]	E [mm]	F [mm]	
SCD500080	FLOOR MOUNT WITH VIBRATION-DAMPERS FOR SBP BASIN - SMALL	60	130-170	360	205-310	400-760	820	150
SCD500081	FLOOR MOUNT WITH VIBRATION-DAMPERS FOR SBP BASIN - LARGE	60	130-170	410	230-360	400-920	980	150
SCD500079	FLOOR MOUNT WITH VIBRATION-DAMPERS FOR SBP BASIN - MAXI	60	130-170	570	400-520	400-1040	1100	150
SCD500122	FLOOR MOUNT WITH VIBRATION-DAMPERS FOR SBP BASIN - 1250X390	60	130-170	410	230-360	400-1190	1250	200
SCD500091	FLOOR MOUNT WITH VIBRATION-DAMPERS FOR SBP BASIN - BIG	60	130-170	570	400-520	400-1340	1400	200



FLOOR MOUNT WITH VIBRATION-DAMPERS FOR SBP BASIN WITH ANTI-FREEZE HEATING CABLE FOR BASIN AND CONDENSATE DRAIN PIPE



SUPPORT AU SOL AVEC ANTI-VIBRATIONS POUR BAC SBP AVEC CÂBLE DE CHAUFFAGE ANTIGEL POUR BAC ET TUYAU DE DRAINAGE DU CONDENSAT



BODENHALTERUNG MIT ANTI-VIBRATION FÜR SCHALE SBP MIT FROSTSCHUTZ-HEIZKABEL FÜR BECKEN UND KONDENSATABLAUFROHR

TECHNICAL SPECIFICATIONS

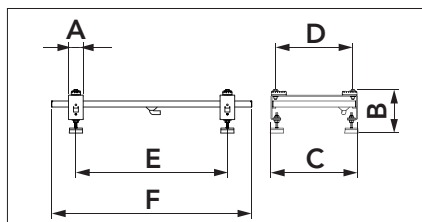
- MADE OF GALVANIZED SHEET METAL
- EXTERNAL POLYESTER PAINTING
- CABLE LENGTH FOR 3 M CONDENSATE DRAIN PIPE
- INCLUDES HEATING CABLE
- 15 W/M LENGTH 6 m + 3 m (9 m TOTAL)
- POWER SUPPLY VOLTAGE 230 V
- BUILT-IN THERMOSTAT
- CONNECTION AT 3°C AND DISCONNECTION AT 12°C
- „NO-SHOCK™“ SLIDING VIBRATION DAMPERS SUPPLIED
- INCLUDES ADJUSTABLE FLOOR ANTI-VIBRATION FEET

CARACTÉRISTIQUES TECHNIQUES

- FABRIQUÉ EN TÔLE GALVANISÉE
- PEINTURE POLYESTER D'EXTÉRIEUR
- LONGUEUR DE CÂBLE POUR TUYAU DE VIDANGE DE CONDENSAT DE 3 M
- LIVRÉ AVEC CÂBLE CHAUFFANT
- 15 W/M DE 6 m + 3 m (9 m AU TOTAL)
- TENSION D'ALIMENTATION 230 V
- THERMOSTAT INTÉGRÉ
- INSERTION À 3°C ET DÉCONNEXION À 12°C
- PLOTS ANTI-VIBRATIONS COULISSANTS «NO-SHOCK» FOURNIS
- LIVRÉ AVEC PIEDS ANTI-VIBRATIONS RÉGLABLES AU SOL

TECHNISCHE EIGENSCHAFTEN

- AUS VERZINKTEM BLECH
- POLYESTERBESCHICHTUNG FÜR DEN AUSSENBEREICH
- KABELLÄNGE FÜR 3 M KONDENSATABLEITUNGSROHR
- KOMPLETT MIT HEIZKABEL
- 15 W/M AB 6 m + 3 m (INSGESAMT 9 m)
- NETZSPANNUNG 230 V
- EINGEBAUTER THERMOSTAT
- EINSETZEN BEI 3°C UND TRENNEN BEI 12°C
- „NO-SHOCK™“ GLEITENDE SCHWINGUNGSDÄMPFER IM LIEFERUMFANG ENTHALTEN
- KOMPLETT MIT VERSTELLBAREN, SCHWINGUNGSDÄMPFENDEN FÜSSEN AM BODEN



 MADE IN ITALY



DOWNLOAD DATASHEET

CODE	MODEL	DIMENSIONS						LOAD CAPACITY [kg]
		A [mm]	B [mm]	C [mm]	D [mm]	E [mm]	F [mm]	
SCD500082	LARGE "SBP" WITH HEATING CABLE 980X410 AND TWO FEET	60	130-170	410	230-360	400-920	980	150
SCD500083	MAXI "SBP" WITH HEATING CABLE 1100X570 AND TWO FEET	60	130-170	570	400-520	400-1040	1100	150
SCD500155	FLOOR MOUNT "SBP" WITH HEATING CABLE 1250X390 AND THREE FEET	60	130-170	410	230-360	400-1190	1250	170

 new



INFINITY FLOOR SUPPORT
WITH SMALL **BLUE RIVER** TRAY AND
FIXED FOOT MOUNT **GENIUS 1000**



SUPPORT DE SOL INFINITY AVEC PETIT
PLATEAU BLUE RIVER ET PIED AU SOL
AVEC HAUTEUR FIXE GENIUS 1000



BODENHALTERUNG INFINITY MIT BLUE
RIVER SCHALE KLEIN UND BODENFUSS
MIT FESTER HÖHE GENIUS 1000

TECHNICAL SPECIFICATIONS

- ELECTRO-GALVANISED SHEET METAL FEET
- IVORY POLYESTER EXTERIOR PAINTING
- BLUE RIVER DRAIN PAN IN IVORY ABS PMMA PLASTIC
- COUPLING FOR CONDENSATE DRAIN PIPE Ø 16
- INCLUDES "NO-SHOCK" 2 HARD + 2 SOFT ANTI-VIBRATION KIT
- SBR EXTREME VULCANISED RUBBER FLOOR BASES WITH M8 FASTENING BOLT

WITH 3m HEATING CABLE:

- INCLUDES 15 W/m 3 m HEATING CABLE
- COUPLING FOR CONDENSATE DRAIN PIPE Ø 16

WITH 3 + 3m HEATING CABLE:

- INCLUDES 15 W/m 3 m + 3 m (6 m TOTAL) HEATING CABLE
- COUPLING FOR CONDENSATE DRAIN PIPE Ø 20
- EQUIPPED WITH A CONDENSATE DRAIN PIPE SECURING CLAMP
- WITH 3 m INSULATED CONDENSATE DRAIN PIPE

- HEATING CABLE DIAMETER: Ø 6 mm
- SUPPLY VOLTAGE: 230 V
- RESISTANCE TOLERANCES: -5%/+10%
- ACTIVATION OF ELEMENT AT +3°C
- BUILT-IN THERMAL SENSOR

CARACTÉRISTIQUES TECHNIQUES

- PIEDS EN TÔLE ÉLECTRO-GALVANISÉE
- PEINTURE EN POLYESTER D'EXTÉRIEUR COULEUR IVOIRE
- BASSINE BLUE RIVER EN PLASTIQUE ABS PMMA COULEUR IVOIRE
- RACCORD POUR TUYAU DE VIDANGE DE CONDENSAT Ø 16
- LIVRÉ AVEC LE KIT ANTI-VIBRATIONS « NO-SHOCK » 2 DURS + 2 SOUPLES
- BASES DE PLANCHER EN CAOUTCHOUC VULCANISÉ SBR EXTRÊME AVEC BOULON DE FIXATION M8

AVEC CÂBLE CHAUFFANT DE 3 m:

- LIVRÉ AVEC UN CÂBLE CHAUFFANT DE 15 W/M 3 m
- RACCORD POUR TUYAU DE VIDANGE DE CONDENSAT Ø 16

AVEC CÂBLE CHAUFFANT DE 3+3 m:

- LIVRÉ AVEC UN CÂBLE CHAUFFANT DE 15 W/M 3 M + 3 M (6 M AU TOTAL)
- RACCORD POUR TUYAU DE VIDANGE DE CONDENSAT Ø 20
- ÉQUIPÉ D'UN COLLIER DE FIXATION DE TUYAU DE VIDANGE DE CONDENSAT
- AVEC TUYAU DE VIDANGE DE CONDENSAT ISOLÉ DE 3 m

- DIAMÈTRE DU CÂBLE DE CHAUFFAGE: Ø6 mm
- TENSION D'ALIMENTATION: 230 V
- TOLÉRANCES DE RÉSISTANCE: -5%/+10%
- ACTIVATION DE LA RÉSISTANCE À + 3°C
- CAPTEUR THERMIQUE INTÉGRÉ

TECHNISCHE EIGENSCHAFTEN

- ELEKTROVERZINKTE BLECHFÜSSE
- POLYESTERBESCHICHTUNG FÜR DEN AUSSENBEREICH, ELFENBEINFARBEN
- BLUE RIVER SCHALE AUS ELFENBEINFARBENEM ABS-PMMA-KUNSTSTOFF
- ANSCHLUSS FÜR KONDENSATABLAUF Ø 16
- KOMPLETT MIT "NO-SHOCK" 2 HARD + 2 SOFT ANTI-VIBRATION KIT
- SBR EXTREME SOCKEL MIT BODEN AUS VULKANISIERTEM GUMMI MIT M8

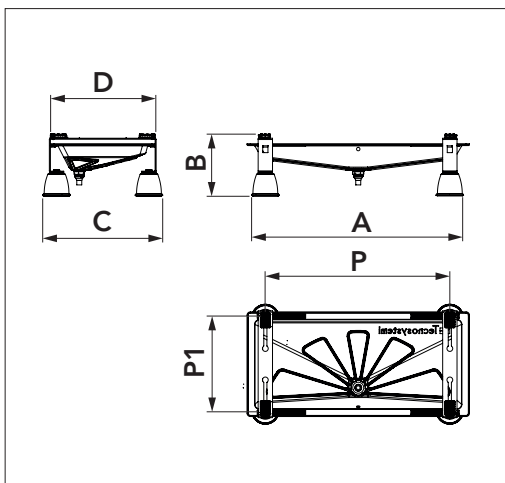
MIT HEIZKABEL 3 m:

- KOMPLETT MIT 15 W/M 3 M HEIZKABEL
- ANSCHLUSS FÜR KONDENSATABLAUF Ø 16

MIT HEIZKABEL 3 + 3 m

- KOMPLETT MIT 15 W/M 3 M + 3 M (INSGESAMT 6 M) HEIZKABEL
- ANSCHLUSS FÜR KONDENSATABLAUF Ø 20
- MIT SCHELLE ZUR BEFESTIGUNG DES KONDENSATABLAUFS
- MIT ISOLIERTEM KONDENSATABLAUFROHR 3 m

- HEIZKABELDURCHMESSER: Ø6 mm
- NETZSPANNUNG: 230 V
- WIDERSTANDSTOLERANZEN: -5%/+10%
- AKTIVIERUNG DES WIDERSTANDES BEI + 3°C
- EINGEBAUTER THERMOSENSOR



MADE IN ITALY



DOWNLOAD DATASHEET

CODE	DESCRIPTION	DIMENSIONS						LOAD CAPACITY [kg]
		A [mm]	B [mm]	C [mm]	D [mm]	P [mm]	P1 [mm]	
SCD500010	FLOOR STAND "INFINITY" WITH SMALL BLUE RIVER DRAIN PAN AND FIXED FOOT MOUNT "GENIUS 1000"	850	230	460	410	800/400	370/150	150
SCD500011	FLOOR STAND "INFINITY" WITH BIG BLUE RIVER DRAIN PAN AND FIXED FOOT MOUNT "GENIUS 1000"	1050	230	460	410	1000/400	370/150	150
INFINITY WITH HEATING CABLE 3 m								
SCD500014	FLOOR STAND "INFINITY" WITH SMALL BLUE RIVER DRAIN PAN WITH 3 m HEATING CABLE AND FIXED FOOT MOUNT "GENIUS 1000"	850	230	460	410	800/400	370/150	150
SCD500015	FLOOR STAND "INFINITY" WITH BIG BLUE RIVER DRAIN PAN WITH 3 m HEATING CABLE AND FIXED FOOT MOUNT "GENIUS 1000"	1050	230	460	410	1000/400	370/150	150
INFINITY WITH HEATING CABLE 3 m+3 m (6 m)								
SCD500018	FLOOR STAND "INFINITY" WITH SMALL BLUE RIVER DRAIN PAN WITH 3+3 mt (6 mt) HEATING CABLE AND FIXED FOOT MOUNT "GENIUS 1000"	850	230	460	410	800/400	370/150	150
SCD500019	FLOOR STAND "INFINITY" WITH BIG BLUE RIVER DRAIN PAN WITH 3+3 mt (6 mt) HEATING CABLE AND FIXED FOOT MOUNT "GENIUS 1000"	1050	230	460	410	1000/400	370/150	150



**INFINITY FLOOR SUPPORT
WITH BLUE RIVER DRAIN PAN
AND GENIUS 1000R
ADJUSTABLE FOOT**



**SUPPORT DE SOL INFINITY
AVEC PLATEAU BLUE RIVER
ET PIED RÉGLABLE
GENIUS 1000R**



**BODENHALTERUNG INFINITY
MIT BLUE RIVER SCHALE
UND VERSTELLBAREM FUSS
GENIUS 1000R**

TECHNICAL SPECIFICATIONS

- ELECTRO-GALVANISED SHEET METAL FEET
- IVORY POLYESTER EXTERIOR PAINTING
- BLUE RIVER DRAIN PAN IN IVORY ABS PMMA PLASTIC
- COUPLING FOR CONDENSATE DRAIN PIPE Ø 16
- INCLUDES "NO-SHOCK" 2 HARD + 2 SOFT ANTI-VIBRATION KIT
- GENIUS 1000R ADJUSTABLE FEET WITH M10 SCREW FASTENING

WITH 3m HEATING CABLE

- WITH 3 m HEATING CABLE 15 W/M
- CONNECTION FOR CONDENSATE DRAIN PIPE: Ø 16

WITH 3 + 3m HEATING CABLE

- INCLUDES 15 W/m 3 m + 3 m (6 m TOTAL) HEATING CABLE
- COUPLING FOR CONDENSATE DRAIN PIPE Ø 20
- EQUIPPED WITH A CONDENSATE DRAIN PIPE SECURING CLAMP
- WITH 3 m INSULATED CONDENSATE DRAIN PIPE

- HEATING CABLE DIAMETER: Ø 6 mm
- SUPPLY VOLTAGE: 230 V
- RESISTANCE TOLERANCES: -5%/+10%
- ACTIVATION OF ELEMENT AT +3°C
- BUILT-IN THERMAL SENSOR

CARACTÉRISTIQUES TECHNIQUES

- PIEDS EN TÔLE ÉLECTRO-GALVANISÉE
- PEINTURE EN POLYESTER D'EXTÉRIEUR COULEUR IVOIRE
- BASSINE BLUE RIVER EN PLASTIQUE ABS PMMA COULEUR IVOIRE
- RACCORD POUR TUYAU DE VIDANGE DE CONDENSAT Ø 16
- LIVRÉ AVEC LE KIT ANTI-VIBRATIONS « NO-SHOCK » 2 DURS + 2 SOUPLES
- PIEDS DE SOL GENIUS 1000R RÉGLABLES AVEC FIXATION À VIS M10 AVEC BAGUE DE RÉGLAGE (HAUTEUR DE 100 À 140 mm)
- RÉGLAGE AVEC MOLETAGE ANTIDÉRAPANT DU PIED

AVEC CÂBLE CHAUFFANT 3 m

- RACCORD POUR TUYAU DE VIDANGE DE CONDENSAT Ø 16

AVEC CÂBLE CHAUFFANT DE 3+3 M

- LIVRÉ AVEC UN CÂBLE CHAUFFANT DE 15 W/M 3 m + 3 m (6 m AU TOTAL)
- RACCORD POUR TUYAU DE VIDANGE DE CONDENSAT Ø 20
- ÉQUIPÉ D'UN COLLIER DE FIXATION DE TUYAU DE VIDANGE DE CONDENSAT
- AVEC TUYAU DE VIDANGE DE CONDENSAT ISOLÉ DE 3 m

- DIAMÈTRE DU CÂBLE DE CHAUFFAGE: Ø6 mm
- TENSION D'ALIMENTATION: 230 V
- TOLÉRANCES DE RÉSISTANCE: -5%/+10%
- ACTIVATION DE LA RÉSISTANCE À +3°C
- CAPTEUR THERMIQUE INTÉGRÉ

TECHNISCHE EIGENSCHAFTEN

- ELEKTROVERZINKTE BLECHFÜSSE
- POLYESTERBESCHICHTUNG FÜR DEN AUSSENBEREICH, ELFENBEINFARBEN
- BLUE RIVER SCHALE AUS ELFENBEINFARBENEM ABS-PMMA-KUNSTSTOFF
- ANSCHLUSS FÜR KONDENSATABLAUF Ø 16
- KOMPLETT MIT "NO-SHOCK" 2 HARD + 2 SOFT ANTI-VIBRATION KIT
- GENIUS 1000 BODENFÜSSE MIT SCHNELLEBFESTIGUNGSSTIFT Ø10

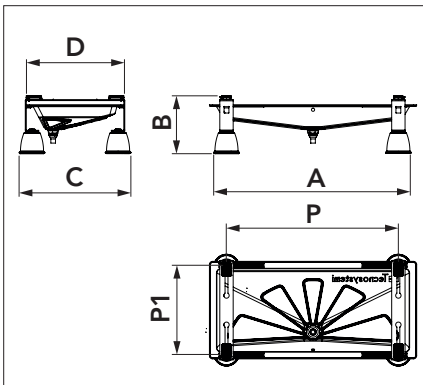
MIT HEIZKABEL 3 m:

- KOMPLETT MIT 15 W/m 3 m HEIZKABEL
- ANSCHLUSS FÜR KONDENSATABLAUF Ø 16

MIT HEIZKABEL 3 + 3 m

- KOMPLETT MIT 15 W/m 3 m + 3 m (INSGESAMT 6 m) HEIZKABEL
- ANSCHLUSS FÜR KONDENSATABLAUF Ø 20
- MIT SCHELLE ZUR BEFESTIGUNG DES KONDENSATABLAUFS
- MIT ISOLIERTEM KONDENSATABLAUFROHR

- HEIZKABELDURCHMESSER: Ø6 mm
- NETZSPANNUNG: 230 V
- WIDERSTANDSTOLERANZEN: -5%/+10%
- AKTIVIERUNG DES WIDERSTANDES BEI +3°C
- EINGEBAUTER THERMOSENSOR



MADE IN ITALY



DOWNLOAD DATASHEET

CODE	DESCRIPTION	DIMENSIONS						LOAD CAPACITY [kg]
		A [mm]	B [mm]	C [mm]	D [mm]	P [mm]	P1 [mm]	
SCD500012	FLOOR STAND "INFINITY" WITH BIG BLUE RIVER DRAIN PAN AND ADJUSTABLE FOOT MOUNT "GENIUS 1000R"	850	230-260	460	410	800/400	370/150	150
SCD500013	FLOOR STAND "INFINITY" WITH BIG BLUE RIVER DRAIN PAN AND ADJUSTABLE FOOT MOUNT "GENIUS 1000R"	1050	230-260	460	410	1000/400	370/150	150
INFINITY WITH HEATING CABLE 3 m								
SCD500016	FLOOR STAND "INFINITY" WITH SMALL BLUE RIVER DRAIN PAN WITH 3 m HEATING CABLE AND ADJUSTABLE FOOT MOUNT "GENIUS 1000R"	850	230-260	460	410	800/400	370/150	150
SCD500017	FLOOR STAND "INFINITY" WITH BIG BLUE RIVER DRAIN PAN WITH 3 m HEATING CABLE AND ADJUSTABLE FOOT MOUNT "GENIUS 1000R"	1050	230-260	460	410	1000/400	370/150	150
INFINITY WITH HEATING CABLE 3 m+3 m (6 m)								
SCD500020	FLOOR STAND "INFINITY" WITH SMALL BLUE RIVER DRAIN PAN WITH 3+3 mt (6 mt) HEATING CABLE AND ADJUSTABLE FOOT MOUNT "GENIUS 1000R"	850	230-260	460	410	800/400	370/150	150
SCD500021	FLOOR STAND "INFINITY" WITH BIG BLUE RIVER DRAIN PAN WITH 3+3 mt (6 mt) HEATING CABLE AND ADJUSTABLE FOOT MOUNT "GENIUS 1000R"	1050	230-260	460	410	1000/400	370/150	150



INFINITY FLOOR SUPPORT WITH BLUE RIVER DRAIN PAN AND SUELO MAXI 450 ADJUSTABLE FOOT



SUPPORT DE SOL INFINITY AVEC PLATEAU BLUE RIVER ET PIED RÉGLABLE SUELO MAXI 450



BODENHALTERUNG INFINITY MIT BLUE RIVER SCHALE UND VERSTELLBAREM FUSS SUELO MAXI 450



TECHNICAL SPECIFICATIONS

- ELECTRO-GALVANISED SHEET METAL FEET
- IVORY POLYESTER EXTERIOR PAINTING
- BLUE RIVER DRAIN PAN IN IVORY ABS PMMA PLASTIC
- COUPLING FOR CONDENSATE DRAIN PIPE Ø 16
- INCLUDES "NO-SHOCK" 2 HARD + 2 SOFT ANTI-VIBRATION KIT
- SUELO MAXI 450 IN RIGID ANTI-UVA SHOCKPROOF PVC
- RUBBER SUPPORT BASE

WITH 3m HEATING CABLE

- WITH 3 m HEATING CABLE 15 W/M
- CONNECTION FOR CONDENSATE DRAIN PIPE: Ø 16

WITH 3 + 3m HEATING CABLE

- INCLUDES 15 W/m 3 m + 3 m (6 m TOTAL) HEATING CABLE
- COUPLING FOR CONDENSATE DRAIN PIPE Ø 20
- EQUIPPED WITH A CONDENSATE DRAIN PIPE SECURING CLAMP
- WITH 3 M INSULATED CONDENSATE DRAIN PIPE

- HEATING CABLE DIAMETER: Ø 6 mm
- SUPPLY VOLTAGE: 230 V
- RESISTANCE TOLERANCES: -5%/+10%
- ACTIVATION OF ELEMENT AT +3°C
- BUILT-IN THERMAL SENSOR

CARACTÉRISTIQUES TECHNIQUES

- PIEDS EN TÔLE ÉLECTRO-GALVANISÉE
- PEINTURE EN POLYESTER D'EXTÉRIEUR COULEUR IVOIRE
- BASSINE BLUE RIVER EN PLASTIQUE ABS PMMA COULEUR IVOIRE
- RACCORD POUR TUYAU DE VIDANGE DE CONDENSAT Ø 16
- LIVRÉ AVEC LE KIT ANTI-VIBRATIONS « NO-SHOCK » 2 DURS + 2 SOUPLES
- SUELO MAXI 450 EN PVC RIGIDE ANTI UVA, RÉSISTANT AUX CHOCS
- BASE DE SUPPORT EN CAOUTCHOUC

AVEC CÂBLE CHAUFFANT 3 m

- RACCORD POUR TUYAU DE VIDANGE DE CONDENSAT Ø 16

AVEC CÂBLE CHAUFFANT DE 3+3 M

- LIVRÉ AVEC UN CÂBLE CHAUFFANT DE 15 W/M 3 m + 3 m (6 m AU TOTAL)
- RACCORD POUR TUYAU DE VIDANGE DE CONDENSAT Ø 20
- ÉQUIPÉ D'UN COLLIER DE FIXATION DE TUYAU DE VIDANGE DE CONDENSAT
- AVEC TUYAU DE VIDANGE DE CONDENSAT ISOLÉ DE 3 m

- DIAMÈTRE DU CÂBLE DE CHAUFFAGE: Ø 6 mm
- TENSION D'ALIMENTATION: 230 V
- TOLÉRANCES DE RÉSISTANCE: -5%/+10%
- ACTIVATION DE LA RÉSISTANCE À +3°C
- CAPTEUR THERMIQUE INTÉGRÉ

TECHNISCHE EIGENSCHAFTEN

- ELEKTROVERZINKTE BLECHFÜSSE
- POLYESTERBESCHICHTUNG FÜR DEN AUSSENBEREICH, ELFENBEINFARBEN
- BLUE RIVER SCHALE AUS ELFENBEINFARBENEM ABS-PMMA-KUNSTSTOFF
- ANSCHLUSS FÜR KONDENSATABLAUF Ø 16
- KOMPLETT MIT "NO-SHOCK" 2 HARD + 2 SOFT ANTI-VIBRATION KIT
- SUELO MAXI ZU 450 AUS STARREM, UVA-GESCHÜTZTEM, STOSSFESTEM PVC
- GUMMIAUFLAGE

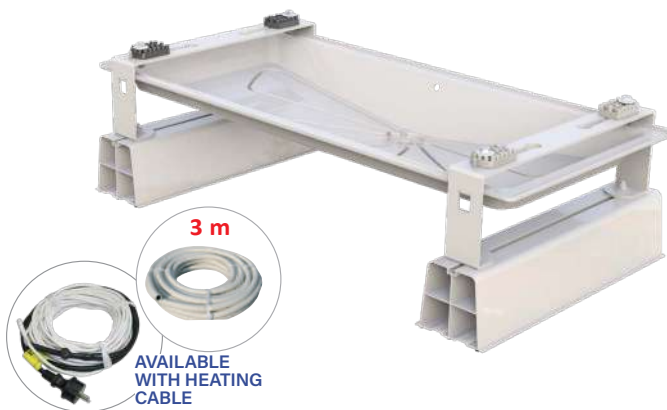
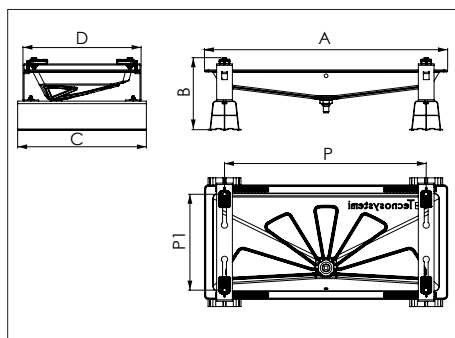
MIT HEIZKABEL 3 m:

- KOMPLETT MIT 15 W/m 3 m HEIZKABEL
- ANSCHLUSS FÜR KONDENSATABLAUF Ø 16

MIT HEIZKABEL 3 + 3 m

- KOMPLETT MIT 15 W/m 3 m + 3 m (INSGESAMT 6 m) HEIZKABEL
- ANSCHLUSS FÜR KONDENSATABLAUF Ø 20
- MIT SCHELLE ZUR BEFESTIGUNG DES KONDENSATABLAUFS
- MIT ISOLIERTEM KONDENSATABLAUFROHR

- HEIZKABELDURCHMESSER: Ø 6 mm
- NETZSPANNUNG: 230 V
- WIDERSTANDSTOLERANZEN: -5%/+10%
- AKTIVIERUNG DES WIDERSTANDES BEI +3°C
- EINGEBAUTER THERMOSENSOR



MADE IN ITALY



DOWNLOAD DATASHEET

CODE	DESCRIPTION	DIMENSIONS						LOAD C. [kg]
		A [mm]	B [mm]	C [mm]	D [mm]	P [mm]	PI [mm]	
INFINITY								
SCD500186	FLOOR STAND "INFINITY" WITH SMALL "BLUE RIVER" DRAIN PAN AND SUELO MAXI 450	845	252	450	410	800/400	350/150	150
SCD500187	FLOOR STAND "INFINITY" WITH BIG "BLUE RIVER" DRAIN PAN AND SUELO MAXI 450	1050	252	450	410	1000/400	350/150	150
INFINITY WITH HEATING CABLE 3 m								
SCD500188	FLOOR STAND "INFINITY" WITH SMALL "BLUE RIVER" DRAIN PAN AND HEATING CABLE 3mt AND SUELO MAXI 450	845	252	450	410	800/400	350/150	150
SCD500189	FLOOR STAND "INFINITY" WITH BIG "BLUE RIVER" DRAIN PAN AND HEATING CABLE 3mt AND SUELO MAXI 450	1050	252	450	410	1000/400	350/150	150
INFINITY WITH HEATING CABLE 3 m+3 m (6 m)								
SCD500190	FLOOR STAND "INFINITY" WITH SMALL "BLUE RIVER" DRAIN PAN AND HEATING CABLE 3mt + 3mt (6mt) AND SUELO MAXI 450	845	252	450	410	800/400	350/150	150
SCD500191	FLOOR STAND "INFINITY" WITH BIG "BLUE RIVER" DRAIN PAN AND HEATING CABLE 3mt + 3mt (6mt) AND SUELO MAXI 450	1050	252	450	410	1000/400	350/150	150



INFINITY FLOOR SUPPORT WITH BLUE RIVER AND EXTREME 100-8 BASES



SUPPORT AU SOL INFINITY BLUE RIVER ET BASES EXTREME 100-8



BODENHALTERUNG INFINITY BLUE RIVER UND SOCKEL EXTREME 100-8

TECHNICAL SPECIFICATIONS

- ELECTRO-GALVANISED SHEET METAL FEET
- IVORY POLYESTER EXTERIOR PAINTING
- BLUE RIVER BASIN IN IVORY ABS PMMA PLASTIC
- COUPLING FOR CONDENSATE DRAIN PIPE Ø 16
- INCLUDES "NO-SHOCK" 2 HARD + 2 SOFT ANTI-VIBRATION KIT
- SBR EXTREME VULCANISED RUBBER FLOOR BASES WITH M8 FASTENING BOLT

• WITH 3 m HEATING CABLE:

- INCLUDES 15 W/M 3 m HEATING CABLE
- COUPLING FOR CONDENSATE DRAIN PIPE Ø 16
- **WITH HEATING CABLE 3 + 3 m**
- INCLUDES 15 W/M 3 m + 3 m (6 m TOTAL) HEATING CABLE
- COUPLING FOR CONDENSATE DRAIN PIPE Ø 20
- EQUIPPED WITH A CONDENSATE DRAIN PIPE SECURING CLAMP
- CONDENSATE DRAIN PIPE
- ISOLATED CONDENSATE DRAIN PIPE 3 m

CARACTÉRISTIQUES TECHNIQUES

- PIEDS EN TÔLE ÉLECTRO-GALVANISÉE
- PEINTURE EN POLYESTER D'EXTÉRIEUR COULEUR IVOIRE
- BASSINE BLUE RIVER EN PLASTIQUE ABS PMMA COULEUR IVOIRE
- RACCORD POUR TUYAU DE VIDANGE DE CONDENSAT Ø 16
- LIVRÉ AVEC LE KIT ANTI-VIBRATIONS « NO-SHOCK » 2 DURS + 2 SOUPLES
- SBASES DE PLANCHER EN CAOUTCHOUC VULCANISÉ SBR EXTRÊME AVEC BOULON DE FIXATION M8

• AVEC CÂBLE CHAUFFANT DE 3 m :

- LIVRÉ AVEC UN CÂBLE CHAUFFANT DE 15 W/M 3 m
- RACCORD POUR TUYAU DE VIDANGE DE CONDENSAT Ø 16

• AVEC CÂBLE CHAUFFANT de 3 + 3 m

- LIVRÉ AVEC UN CÂBLE CHAUFFANT DE 15 W/M 3 m + 3 m (6 m AU TOTAL)
- RACCORD POUR TUYAU DE VIDANGE DE CONDENSAT Ø 20
- ÉQUIPÉ D'UN COLLIER DE FIXATION DE TUYAU DE VIDANGE DE CONDENSAT
- TUYAU DE VIDANGE DU CONDENSAT
- TUYAU DE VIDANGE DES CONDENSATS ISOLÉ 3 m

TECHNISCHE EIGENSCHAFTEN

- ELEKTROVERZINKTE BLECHFÜSSE
- POLYESTERBESCHICHTUNG FÜR DEN AUSSENBEREICH, ELFENBEINFARBEN
- BLUE RIVER SCHALE AUS ELFENBEINFARBENEM ABS-PMMA-KUNSTSTOFF
- ANSCHLUSS FÜR CONDENSATABLAUF Ø 16
- KOMPLETT MIT "NO-SHOCK" 2 HARD + 2 SOFT ANTI-VIBRATION KIT
- SBR EXTREME SOCKEL MIT BODEN AUS VULKANISIERTEM GUMMI MIT M8 BEFESTIGUNGSSCHRAUBE

• MIT 3 m HEIZKABEL:

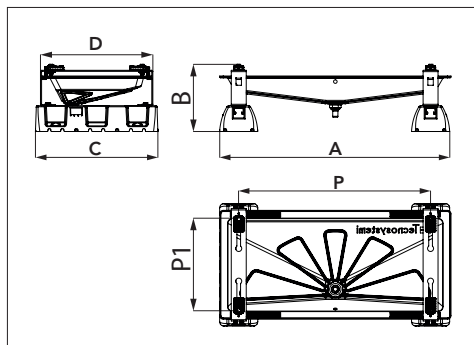
- KOMPLETT MIT 15 W/M 3 M HEIZKABEL
- ANSCHLUSS FÜR CONDENSATABLAUF Ø 16

• MIT HEIZKABEL 3 + 3 m

- KOMPLETT MIT 15 W/M 3 m + 3 m (INSGESAMT 6 m) HEIZKABEL
- ANSCHLUSS FÜR CONDENSATABLAUF Ø 20
- MIT SCHELLE ZUR BEFESTIGUNG DES CONDENSATABLAUFS
- CONDENSATABLAUFROHR
- CONDENSATABLAUFROHR ISOLIERT 3 m

- HEATING CABLE DIAMETER: Ø 6 mm
- SUPPLY VOLTAGE: 230 V
- TOLERANCE ON RESISTANCE: -5%/+10%
- RESISTANCE ACTIVATION AT + 3°C
- INCORPORATED THERMAL SENSOR

MADE IN ITALY



DOWNLOAD DATASHEET

CODE	DESCRIPTION	DIMENSIONS						LOAD CAPACITY
		A [mm]	B [mm]	C [mm]	D [mm]	P [mm]	P1 [mm]	
SCD500103	INFINITY FLOOR SUPPORT WITH BLUE RIVER SMALL BASIN AND EXTREME 100-8 BASES	845	240	450	410	800/400	350/150	150
SCD500104	INFINITY FLOOR SUPPORT WITH BLUE RIVER BIG BASIN AND EXTREME 100-8 BASES	1050	240	450	410	1000/400	350/1150	150
WITH 3 m HEATING CABLE								
SCD500105	INFINITY FLOOR SUPPORT WITH BLUE RIVER SMALL BASIN AND EXTREME 100-8 BASES WITH 3 M HEATING CABLE	845	240	450	410	800/400	350/150	150
SCD500106	INFINITY FLOOR SUPPORT WITH BLUE RIVER BIG BASIN AND EXTREME 100-8 BASES WITH 3 M HEATING CABLE	1050	240	450	410	1000/400	350/1150	150
WITH HEATING CABLE 3 + 3 m								
SCD500107	INFINITY FLOOR SUPPORT WITH BLUE RIVER SMALL BASIN AND EXTREME 100-8 BASES WITH HEATING CABLE 3+3	845	240	450	410	800/400	350/150	150
SCD500108	SUPPORTO A PAVIMENTO INFINITY CON BACINELLA BLUE RIVER GRANDE CON CAVO SCALDANTE 3MT + 3MT (6MT) E BASI EXTREME 100-8	1050	240	450	410	1000/400	350/1150	150



INFINITY FLOOR SUPPORT WITH BLUE RIVER AND EXTREME 100-8 BASES



SUPPORT AU SOL INFINITY BLUE RIVER ET BASES EXTREME 100-8



BODENHALTERUNG INFINITY BLUE RIVER UND SOCKEL EXTREME 100-8

TECHNICAL SPECIFICATIONS

- ELECTRO-GALVANISED SHEET METAL FEET
- IVORY POLYESTER EXTERIOR PAINTING
- BLUE RIVER BASIN IN IVORY ABS PMMA PLASTIC
- COUPLING FOR CONDENSATE DRAIN PIPE Ø 16
- INCLUDES "NO-SHOCK" 2 HARD + 2 SOFT ANTI-VIBRATION KIT
- SBR EXTREME VULCANISED RUBBER FLOOR BASES WITH M8 FASTENING BOLT

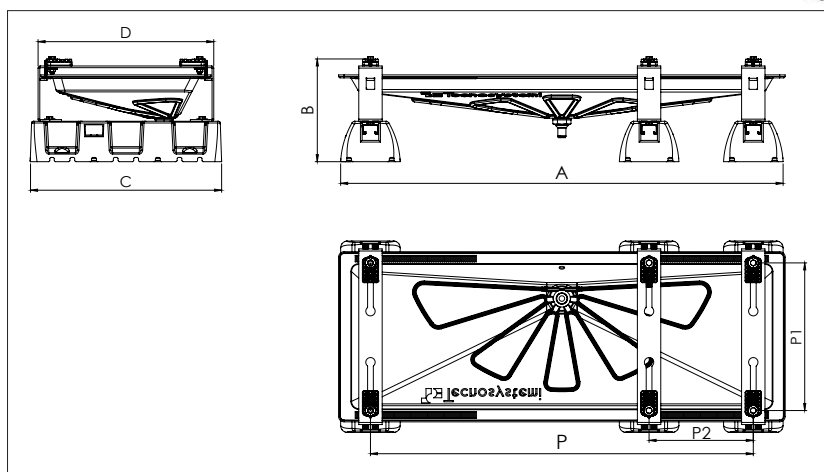
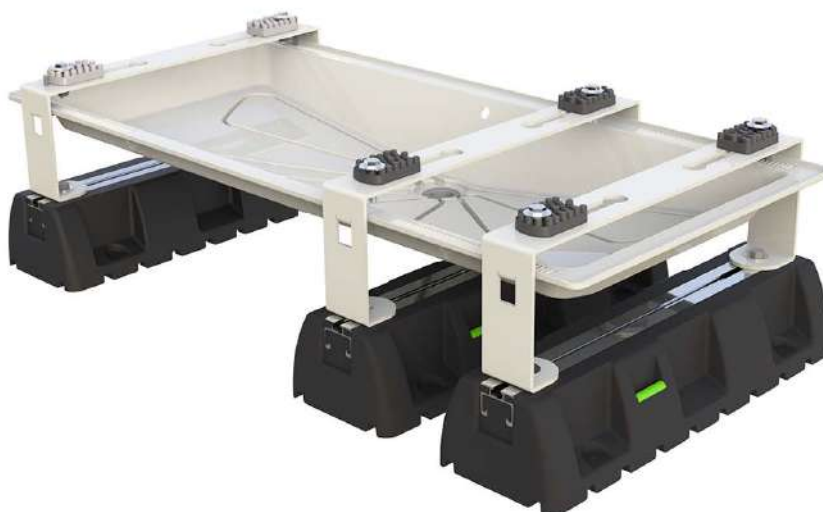
CARACTÉRISTIQUES TECHNIQUES

- PIEDS EN TÔLE ÉLECTRO-GALVANISÉE
- PEINTURE EN POLYESTER D'EXTÉRIEUR COULEUR IVOIRE
- BASSINE BLUE RIVER EN PLASTIQUE ABS PMMA COULEUR IVOIRE
- RACCORD POUR TUYAU DE VIDANGE DE CONDENSAT Ø 16
- LIVRÉ AVEC LE KIT ANTI-VIBRATIONS « NO-SHOCK » 2 DURS + 2 SOUPLES
- SBASES DE PLANCHER EN CAOUTCHOUC VULCANISÉ SBR EXTRÊME AVEC BOULON DE FIXATION M8

TECHNISCHE EIGENSCHAFTEN

- ELEKTROVERZINKTE BLECHFÜSSE
- POLYESTERBESCHICHTUNG FÜR DEN AUSSENBEREICH, ELFENBEINFARBEN
- BLUE RIVER SCHALE AUS ELFENBEINFARBENEM ABS-PMMA-KUNSTSTOFF
- ANSCHLUSS FÜR KONDENSATABLAUF Ø 16
- KOMPLETT MIT "NO-SHOCK" 2 HARD + 2 SOFT ANTI-VIBRATION KIT
- SBR EXTREME SOCKEL MIT BODEN AUS VULKANISIERTEM GUMMI MIT M8 BEFESTIGUNGSSCHRAUBE

 **MADE IN ITALY**



DOWNLOAD DATASHEET

CODE	DESCRIPTION	DIMENSIONS							LOAD CAPACITY [kg]
		A [mm]	B [mm]	C [mm]	D [mm]	P [mm]	P1 [mm]	P2 [mm]	
SCD500224	INFINITY FLOOR SUPPORT WITH BLUE RIVER MEDIUM BASIN AND 3 EXTREME 100-8 BASES	1050	240	450	410	1000/400	350/150	140/250	170
SCD500225	INFINITY FLOOR SUPPORT WITH BLUE RIVER BIG BASIN AND 3 EXTREME 100-8 BASES	1250	240	600	520	1100/400	450/250	140/400	170

EMPIRE EVO



FLOOR STAND



SUPPORT AU SOL



BODENHALTERUNG

TECHNICAL SPECIFICATIONS

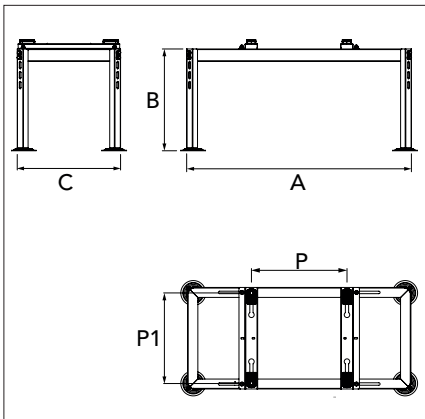
- MADE OF GALVANIZED SHEET METAL
- EXTERNAL POLYESTER PAINTING
- EQUIPPED WITH ADJUSTABLE LEGS FOR LEVELLING
- READY FOR FASTENING CONDENSATE DRAIN PAN
- INCLUDES "NO-SHOCK" 2 HARD + 2 SOFT ANTI-VIBRATION KIT
- HIGH MECHANICAL STRENGTH

CARACTÉRISTIQUES TECHNIQUES

- TÔLE ÉLECTROGALVANISÉE
- PEINTURE POLYESTER EXTERIEURE
- ÉQUIPÉ DE PIEDS RÉGLABLES POUR BOULONNER
- PRÉPARÉ POUR LA FIXATION DU RÉCIPENT DE RÉCUPÉRATION DES CONDENSATS
- COMPLET AVEC KIT ANTIVIBRATION 2 DUR + 2 SOUPLE "NO - SHOCK"
- HAUTE RÉSISTANCE MÉCANIQUE

TECHNISCHE EIGENSCHAFTEN

- ELEKTROVERZINKTES BLECH
- POLYESTERFARBE FÜR DEN AUSSENBEREICH
- AUSGESTATTET MIT EINSTELLBAREN BEINEN FÜR BUBBING
- VORBEREITET ZUR BEFESTIGUNG DES KONDENSATAUFFANGBEHÄLTERS
- KOMPLETT MIT 2 HARD + 2 SOFT „NO - SHOCK“ ANTIVIBRATION KIT
- HOHE MECHANISCHE WIDERSTANDSFÄHIGKEIT



DOWNLOAD DATASHEET

MADE IN ITALY

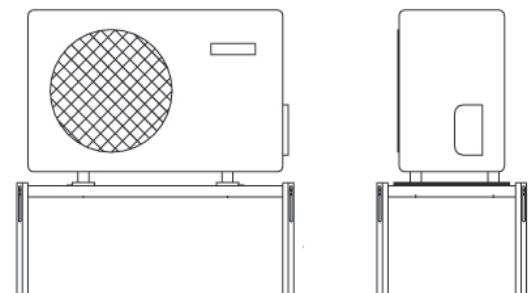
CHART TO SELECT THE EMPIRE FLOOR STAND SUITABLE FOR THE CONDENSATE DRAIN PANS

CODES	"BLUE RIVER" DRAIN PAN 850x400			"BLUE RIVER" DRAIN PAN 1050x400			"SMALL" CONDENSATE DRAIN PAN 820x340	"BIG" CONDENSATE DRAIN PAN 980x390		
	11100100F	11100100F3	11100100F6	11100101F	11100101F3	11100101F6	11100105	11100100	11100100E	11100100EU
SCD500002	•	•	•				•			
SCD500003	•	•	•	•	•	•	•	•	•	•
SCD500004	•	•	•	•	•	•	•	•	•	•

EXAMPE OF INSTALLATION OF A "BLUE RIVER" DRAIN PAN



EXAMPLE OF INSTALLATION OF AN OUTDOOR UNIT



CODE	DESCRIPTION	DIMENSIONS					LOAD CAPACITY
		A [mm]	B [mm]	C [mm]	P [mm]	P1 [mm]	[kg]
SCD500002	"EMPIRE EVO" 440 FLOOR STAND	900	410	415	325/715	220/360	100
SCD500003	"EMPIRE EVO" 480 FLOOR STAND	945	410	485	325/715	280/435	150
SCD500004	"EMPIRE EVO" 550 FLOOR STAND	1015	410	560	385/780	310/510	200

MERCURY

 FLOOR STAND

 SUPPORT AU SOL

 BODENHALTERUNG

TECHNICAL SPECIFICATIONS

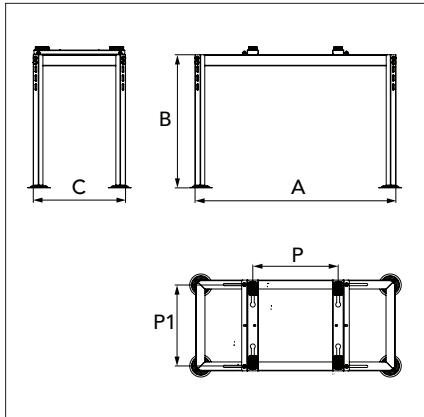
- MADE OF GALVANIZED SHEET METAL
- EXTERNAL POLYESTER PAINTING
- EQUIPPED WITH ADJUSTABLE LEGS FOR LEVELLING
- READY FOR FASTENING CONDENSATE DRAIN PAN
- INCLUDES "NO-SHOCK" 2 HARD + 2 SOFT ANTI-VIBRATION KIT
- HIGH MECHANICAL STRENGTH

CARACTÉRISTIQUES TECHNIQUES

- TÔLE ÉLECTROGALVANISÉE
- PEINTURE POLYESTER EXTERIEURE
- ÉQUIPÉ DE PIEDS RÉGLABLES POUR BOULONNER
- PRÉPARÉ POUR LA FIXATION DU RÉCIPENT DE RÉCUPÉRATION DES CONDENSATS
- COMPLET AVEC KIT ANTIVIBRATION 2 DUR + 2 SOUPLE "NO - SHOCK"
- HAUTE RÉSISTANCE MÉCANIQUE

TECHNISCHE EIGENSCHAFTEN

- ELEKTROVERZINKTES BLECH
- POLYESTERFARBE FÜR DEN AUSSENBEREICH
- AUSGESTATTET MIT EINSTELLBAREN BEINEN FÜR BUBBING
- VORBEREITET ZUR BEFESTIGUNG DES KONDEN-SATAUFFANGBEHÄLTERS
- KOMPLETT MIT 2 HARD + 2 SOFT „NO - SHOCK“ ANTIVIBRATION KIT
- HOHE MECHANISCHE WIDERSTANDSFÄHIGKEIT



 MADE IN ITALY



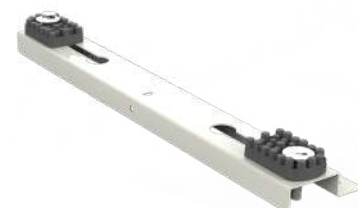
DOWNLOAD DATASHEET

CHART TO SELECT THE MERCURY FLOOR STAND SUITABLE FOR THE CONDENSATE DRAIN PANS

CODICI	"BLUE RIVER" DRAIN PAN 850x400			"BLUE RIVER" DRAIN PAN 1050x400			"SMALL" CONDENSATE DRAIN PAN 820x340	"BIG" CONDENSATE DRAIN PAN 980x390		
	11100100F	11100100F3	11100100F6	11100101F	11100101F3	11100101F6	11100105	11100100	11100100E	11100100EU
SCD500025
SCD500026
SCD500027

CODICE	DESCRIPTION	DIMENSIONS					LOAD CAPACITY
		A [mm]	B [mm]	C [mm]	P [mm]	P1 [mm]	[kg]
SCD500025	MERCURY 440 FLOOR STAND	900	600	415	325/715	220/360	100
SCD500026	MERCURY 480 FLOOR STAND	945	600	485	325/715	280/435	150
SCD500027	MERCURY 550 FLOOR STAND	1015	600	560	385/780	310/510	200

CROSSBAR FOR FLOOR BRACKETS EMPIRE AND MERCURY EVO



WITH ANTIVIBRATION NO-SHOCK "HARD" MODEL

 MADE IN ITALY

CODICE	DESCRIPTION
SCD500150	FLOOR BRACKET SINGLE CROSSBAR KIT "EMPIRE" E "MERCURY EVO" 440
SCD500151	FLOOR BRACKET SINGLE CROSSBAR KIT "EMPIRE" E "MERCURY EVO" 480
SCD500152	FLOOR BRACKET SINGLE CROSSBAR KIT "EMPIRE" E "MERCURY EVO" 550



DOWNLOAD DATASHEET

FREEDOM EVO

🇬🇧 FLOOR STAND

🇫🇷 SUPPORT AU SOL

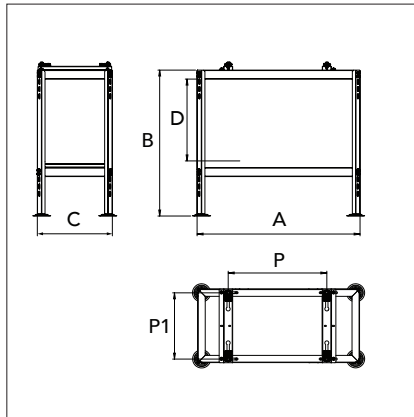
MADE IN ITALY

TECHNICAL SPECIFICATIONS

- MADE OF GALVANIZED SHEET METAL
- EXTERNAL POLYESTER PAINTING
- EQUIPPED WITH ADJUSTABLE LEGS FOR LEVELLING
- READY FOR FASTENING CONDENSATE DRAIN PAN
- READY FOR CROSSPIECE KIT FOR FASTENING SECOND OUTDOOR UNIT
- INCLUDES "NO-SHOCK" 2 HARD + 2 SOFT ANTI-VIBRATION KIT
- HIGH MECHANICAL STRENGTH

CARACTÉRISTIQUES TECHNIQUES

- FABRIQUÉ EN TÔLE GALVANISÉE
- REVÊTEMENT EXTÉRIEUR EN POLYESTER
- ÉQUIPÉ DE PIEDS RÉGLABLES POUR UNE MISE À NIVEAU
- PRÉDISPOSÉ POUR LA FIXATION DU BASSIN DE COLLECTE DES CONDENSATS
- PRÉDISPOSÉ POUR LES KITS DE BARRES TRANSVERSALES POUR LA FIXATION DE LA DEUXIÈME UNITÉ EXTÉRIURE
- LIVRÉ AVEC LE KIT ANTI-VIBRATIONS « NO-SHOCK » 2 DURS + 2 SOUPLES
- RÉSISTANCE MÉCANIQUE ÉLEVÉE



🇩🇪 BODENHALTERUNG

TECHNISCHE EIGENSCHAFTEN

- AUS VERZINKTEM BLECH
- POLYESTERBESCHICHTUNG FÜR DEN AUSSENBEREICH
- MIT VERSTELLBAREN BEINEN ZUM NIVELLIEREN
- VORBEREITET FÜR DIE BEFESTIGUNG DES KONDENSATSAMMELBECKENS
- VORBEREITET FÜR TRAVERSENSÄTZE ZUR SICHERUNG DER ZWEITEN AUSSENEINHEIT
- KOMPLETT MIT "NO-SHOCK" 2 HARD + 2 SOFT ANTI-VIBRATION KIT
- HOHE MECHANISCHE FESTIGKEIT



DOWNLOAD DATASHEET

CHART TO SELECT THE FREEDOM EVO FLOOR STAND SUITABLE FOR THE CONDENSATE DRAIN PANS

CODE	"BLUE RIVER" DRAIN PAN 850x400			"BLUE RIVER" DRAIN PAN 1050x400			"SMALL" CONDENSATE DRAIN PAN 820x340	"BIG" CONDENSATE DRAIN PAN 980x390		
	11100100F	11100100F3	11100100F6	11100101F	11100101F3	11100101F6	50100105	11100100	11100100E	11100100EU
SCD500005
SCD500006

CODE	DESCRIPTION	DIMENSIONS						LOAD CAPACITY
		A [mm]	B [mm]	C [mm]	P [mm]	P1 [mm]	D [mm]	[kg]
SCD500005	"FREEDOM EVO" 440 FLOOR STAND	900	810	415	325-715	220-360	470-590	150
SCD500006	"FREEDOM EVO" 480 FLOOR STAND	945	810	485	325-715	280-435	470-590	200
SCD500007	"FREEDOM EVO" 550 FLOOR STAND	1015	810	560	385-780	310-510	470-590	250

🇬🇧 CROSSBAR KIT FOR FREEDOM EVO

🇫🇷 KIT BARRE TRANSVERSALE POUR FREEDOM EVO

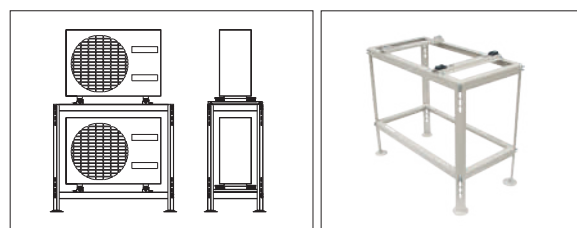
🇩🇪 QUERBALKEN-SET BODENHALTERUNG

SEE FREEDOM EVO FLOOR-STANDING BRACKET FOR TECHNICAL CHARACTERISTICS WE RECOMMEND USING ON AIR CONDITIONING UNITS WITH A MAXIMUM HEIGHT OF 580mm

MADE IN ITALY



DOWNLOAD DATASHEET



CODE	DESCRIPTION
SCD500028	CROSSBAR KIT FOR FREEDOM EVO 440
SCD500029	CROSSBAR KIT FOR FREEDOM EVO 480
SCD500030	CROSSBAR KIT FOR FREEDOM EVO 550

SPT2

 **TELESCOPIC FLOOR STAND**

 **SUPPORT DE SOL TELESCOPIQUE**

 **TELESKOPISCHE BODENHALTERUNG**

TECHNICAL SPECIFICATIONS

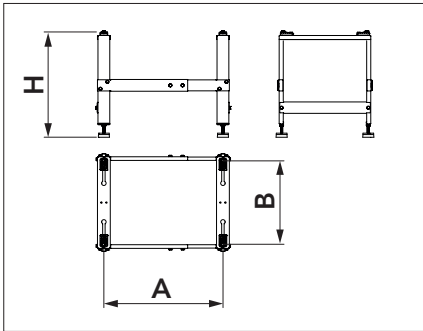
- MADE OF GALVANIZED SHEET METAL
- EXTERNAL POLYESTER PAINTING
- "NO-SHOCK" SLIDING VIBRATION DAMPERS SUPPLIED
- ADJUSTABLE FLOOR ANTI-VIBRATION FEET
- READY FOR FASTENING BLUE RIVER CONDENSATE DRAIN PAN

CARACTÉRISTIQUES TECHNIQUES

- FABRIQUÉ EN TÔLE GALVANISÉE
- PEINTURE POLYESTER D'EXTÉRIEUR
- PLOTS ANTI-VIBRATIONS COULISSANTS "NO-SHOCK" FOURNIS
- PIEDS DE SOL ANTI-VIBRATIONS RÉGLABLES
- PRÉDISPOSÉ POUR LA RÉPARATION DU BASSIN COLLECTEUR DE CONDENSATS BLUE RIVER

TECHNISCHE EIGENSCHAFTEN

- AUS VERZINKTEM BLECH
- POLYESTERBESCHICHTUNG FÜR DEN AUSSENBEREICH
- "NO-SHOCK" GLEITENDE SCHWINGUNGSDÄMPFER IM LIEFERUMFANG ENTHALTEN
- VERSTELLBARE, VIBRATIONSFREIE BODENFÜSSE
- VORBEREITET FÜR DIE BEFESTIGUNG DES BLUE RIVER KONDENSATSAMMELBECKENS



DOWNLOAD DATASHEET



 **MADE IN ITALY**

CODE	DESCRIPTION	DIMENSIONS			LOAD CAPACITY
		A [mm]	H [mm]	B [mm]	[kg]
SCD500050	"SPT2" TELESCOPIC FLOOR STAND H450	585 - 750	500	210-400	225
SCD500051	"SPT2" TELESCOPIC FLOOR STAND H250	585 - 750	300	210-400	225

MINI-CHILLER SPT3

 **TELESCOPIC FLOOR STAND**

 **SUPPORT DE SOL TELESCOPIQUE**

 **TELESKOPISCHE BODENHALTERUNG**

TECHNICAL SPECIFICATIONS

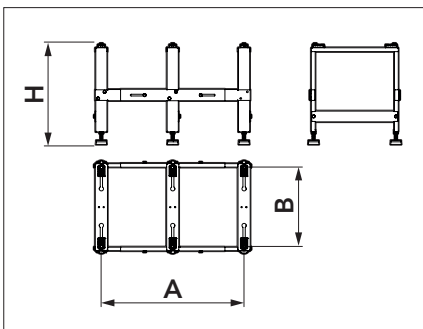
- MADE OF GALVANIZED SHEET METAL
- EXTERNAL POLYESTER PAINTING
- "NO-SHOCK" SLIDING VIBRATION DAMPERS SUPPLIED
- ADJUSTABLE FLOOR ANTI-VIBRATION FEET
- READY FOR FASTENING BLUE RIVER CONDENSATE DRAIN PAN

CARACTÉRISTIQUES TECHNIQUES

- FABRIQUÉ EN TÔLE GALVANISÉE
- PEINTURE POLYESTER D'EXTÉRIEUR
- PLOTS ANTI-VIBRATIONS COULISSANTS "NO-SHOCK" FOURNIS
- PIEDS DE SOL ANTI-VIBRATIONS RÉGLABLES
- PRÉDISPOSÉ POUR LA RÉPARATION DU BASSIN COLLECTEUR DE CONDENSATS BLUE RIVER

TECHNISCHE EIGENSCHAFTEN

- AUS VERZINKTEM BLECH
- POLYESTERBESCHICHTUNG FÜR DEN AUSSENBEREICH
- "NO-SHOCK" GLEITENDE SCHWINGUNGSDÄMPFER IM LIEFERUMFANG ENTHALTEN
- VERSTELLBARE, VIBRATIONSFREIE BODENFÜSSE
- VORBEREITET FÜR DIE BEFESTIGUNG DES BLUE RIVER KONDENSATSAMMELBECKENS



 **MADE IN ITALY**



DOWNLOAD DATASHEET



CODE	DESCRIPTION	DIMENSIONS			LOAD CAPACITY
		A [mm]	H [mm]	B [mm]	[kg]
SCD500047	"MINI-CHILLER SPT3" TELESCOPIC FLOOR STAND H450	740 - 940	500	210-400	225
SCD500049	"MINI-CHILLER SPT3" TELESCOPIC FLOOR STAND H250	740 - 940	300	210-400	225

ADJUSTABLE FOOT MOUNT

THE "GENIUS" FLOOR SUPPORT IS MADE OF MATERIAL WITH HIGH MECHANICAL RESISTANCE.

AVAILABLE IN TWO VERSIONS, "GENIUS 1000" WITH FIXED HEIGHT AND "GENIUS 1000R" WITH HEIGHT-ADJUSTABLE RING, BOTH ARE PROVIDED WITH DOUBLE SHOCK ABSORBERS AND ARE SUITABLE FOR ALL TYPES OF AIR CONDITIONERS OR FLOORMOUNTED BOILERS.



DOUBLE SECURING SOLUTION

VIBRATION DAMPING IN RUBBER

REGOLAZIONE CON ZIGRINATURA ANTISCIVOLO

MATERIAL WITH HIGH MECHANICAL RESISTANCE

AVAILABLE IN COLOURS: IVORY AND BLACK



HOLE FOR SECURING AIR-CONDITIONER

HOLE FOR ADJUSTMENT SPANNER

RING FOR ADJUSTMENT IN HEIGHT MIN. 100 - MAX. 140 mm

VIBRATION - DAMPING RING IN RUBBER

FIXING WITH PIN Ø 10



FIXING WITH SCREW M8 / M10



GENIUS 1000

FOOT MOUNT

PIED DE SOL

BODENFUSS

TECHNICAL SPECIFICATIONS

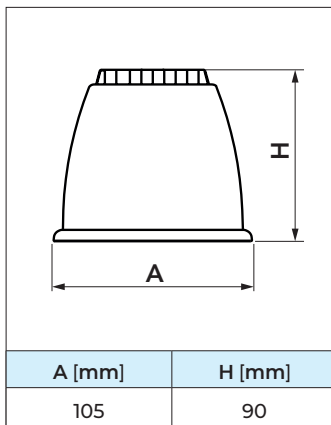
- DOUBLE ANTI-VIBRATION DAMPER SUPPLIED
- QUICK FASTENING PIN Ø 10
- HIGH MECHANICAL STRENGTH
- AVAILABLE IN IVORY OR BLACK
- HEIGHT 90 mm

CARACTÉRISTIQUES TECHNIQUES

- DOUBLE ANTIVIBRATOIRE FOURNI
- GOUPILLE DE FIXATION RAPIDE Ø 10
- RÉSISTANCE MÉCANIQUE ÉLEVÉE
- DISPONIBLE EN IVOIRE OU NOIR
- HAUTEUR 90 mm

TECHNISCHE EIGENSCHAFTEN

- DOPPELTER SCHWINGUNGSDÄMPFER IM LIEFERUMFANG ENTHALTEN
- SCHNELLEBEFESTIGUNGSSTIFT Ø 10
- HOHE MECHANISCHE FESTIGKEIT
- ERHÄLTICH IN ELFENBEIN ODER SCHWARZ
- HÖHE: 90 mm



MADE IN ITALY



KG LOAD CAPACITY 1000 kg!



CODE	DESCRIPTION
11105340A	"GENIUS 1000" IVORY FOOT MOUNT WITH QUICK FASTENING PIN Ø 10 (4 PCS. PACK)
11105340N	"GENIUS 1000" BLACK FOOT MOUNT WITH QUICK FASTENING PIN Ø 10 (4 PCS. PACK)



DOWNLOAD DATASHEET

GENIUS 1000R

 ADJUSTABLE FOOT MOUNT

 PIED DE SOL RÉGLABLE

 VERSTELLBARER BODENFUSS

TECHNICAL SPECIFICATIONS

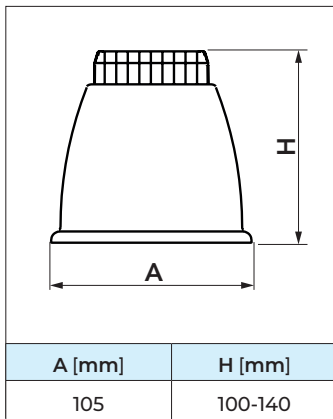
- DOUBLE ANTI-VIBRATION DAMPER SUPPLIED
- HIGH MECHANICAL STRENGTH
- HEIGHT ADJUSTMENT RING NUT 100 - 140 mm
- QUICK FASTENING PIN Ø 10 OR SCREW M10
- NON-SLIP KNURLING ADJUSTMENT
- AVAILABLE IN BLACK AND IVORY

CARACTÉRISTIQUES TECHNIQUES

- DOUBLE ANTIVIBRATOIRE FOURNI
- RÉSISTANCE MÉCANIQUE ÉLEVÉE
- BAGUE DE RÉGLAGE EN HAUTEUR 100 - 140 mm
- GOUPILLE DE FIXATION RAPIDE Ø 10 OU VIS M10
- RÉGLAGE AVEC MOLETAGE ANTIDÉRAPANT
- DISPONIBLE EN NOIR ET IVOIRE

TECHNISCHE EIGENSCHAFTEN

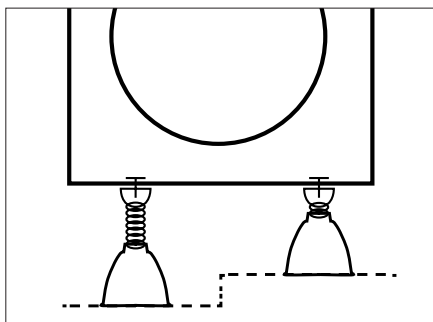
- DOPPELTER SCHWINGUNGSDÄMPFER IM LIEFERUMFANG ENTHALTEN
- HOHE MECHANISCHE FESTIGKEIT
- HÖHENVERSTELLRING 100 - 140 mm
- SCHNELLEBESFESTIGUNGSTIFT Ø 10 ODER SCHRAUBE M10
- VERSTELLUNG MIT RUTSCHFESTER RÄNDELUNG
- ERHÄLTICH IN SCHWARZ UND ELFENBEIN



 MADE IN ITALY



 **LOAD CAPACITY 1000 kg!**



Example with ferrule of adjustment unscrewed and screwed



DOWNLOAD DATASHEET

CODE	DESCRIPTION
11105350A	"GENIUS 1000R" IVORY ADJUSTABLE FOOT MOUNT WITH QUICK FASTENING PIN Ø 10 (4 PCS. PACK)
11105350N	"GENIUS 1000R" BLACK ADJUSTABLE FOOT MOUNT WITH QUICK FASTENING PIN Ø 10 (4 PCS. PACK)
11105360A	"GENIUS 1000R" IVORY ADJUSTABLE FOOT MOUNT WITH M10x30 SCREW (4 PCS. PACK)
11105360N	"GENIUS 1000R" BLACK ADJUSTABLE FOOT MOUNT WITH M10x30 SCREW (4 PCS. PACK)
SCD500101	"GENIUS 1000R" IVORY ADJUSTABLE FOOT MOUNT WITH M8x30 SCREW (4 PCS. PACK)
SCD500102	"GENIUS 1000R" BLACK ADJUSTABLE FOOT MOUNT WITH M8x30 SCREW (4 PCS. PACK)
11105361A	"GENIUS 1000R" IVORY ADJUSTABLE FOOT MOUNT WITH M10x50 SCREW (4 PCS. PACK)
11105361N	"GENIUS 1000R" BLACK ADJUSTABLE FOOT MOUNT WITH M10x50 SCREW (4 PCS. PACK)

new

new

GENIUS 1000R HIGH ARTICULATED

ADJUSTABLE AND ARTICULATED FOOT MOUNT

 **LOW-HEIGHT FLOOR-
STANDING FOOT**

 **PIED DE SOL
À FAIBLE HAUTEUR**

 **STANDFUSS MIT
REDUZIERTER HÖHE**

TECHNICAL SPECIFICATIONS

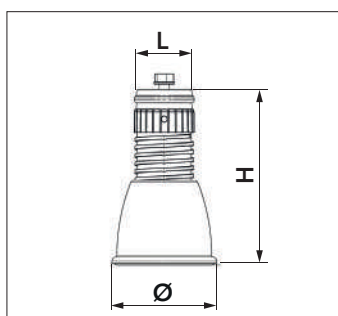
- VIBRATION-DAMPING IN RUBBER SUPPLIED
- HIGH MECHANICAL STRENGTH
- FIXING SCREW M8 X 50
- NON-SLIP KNURLING ADJUSTMENT
- AVAILABLE IN BLACK AND IVORY
- HEIGHT ADJUSTMENT RING NUT MIN. 123 MAX. 176 mm
- HEIGHT ADJUSTMENT RING NUT MIN. 175 MAX. 200 mm

CARACTÉRISTIQUES TECHNIQUES

- SUPPORT ANTI-VIBRATIONS EN CAOUTCHOUC FOURNI
- RÉSISTANCE MÉCANIQUE ÉLEVÉE
- VIS DE FIXATION M8 X 50
- RÉGLAGE AVEC MOLETAGE ANTIDÉRAPANT
- DISPONIBLE EN NOIR ET IVOIRE
- BAGUE DE RÉGLAGE DE LA HAUTEUR MINI. 123 MAX. 176 MM
- BAGUE DE RÉGLAGE EN HAUTEUR MINI. 175 MAX. 220 MM

TECHNISCHE EIGENSCHAFTEN

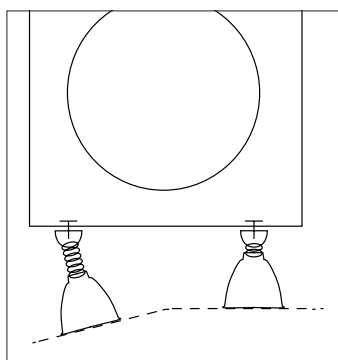
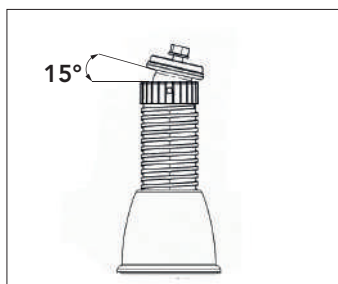
- SCHWINGUNGSDÄMPFER AUS GUMMI WERDEN MITGELIEFERT
- HOHE MECHANISCHE FESTIGKEIT
- BEFESTIGUNGSSCHRAUBE M8 X 50
- VERSTELLUNG MIT RUTSCHFESTER RÄNDELUNG
- ERHÄLTICH IN SCHWARZ UND ELFENBEIN
- HÖHENVERSTELLRING MIN.123 MAX. 176 MM
- HÖHENVERSTELLRING MIN. 175 MAX. 200 MM



 **LOAD CAP.
1000 kg!**

GENIUS
1000R
**HIGH
ARTICULATED**

 **MADE IN ITALY**





JOINTABLE

0-15°



AVAILABLE FROM MAY 2023

CODE	DESCRIPTION	L [mm]	H [mm]	Ø [mm]
 SCD500180	"GENIUS 1000R HIGH ARTICULATED" ADJUSTABLE AND ARTICULATED FOOT MOUNT (4 PCS. PACK) BLACK COLOUR	60	123-176	105
 SCD500181	"GENIUS 1000R HIGH ARTICULATED" ADJUSTABLE AND ARTICULATED FOOT MOUNT (4 PCS. PACK) IVORY COLOUR	60	123-176	105



**DOWNLOAD
DATASHEET**

CODE	DESCRIPTION	L [mm]	H [mm]	Ø [mm]
11105365	"GENIUS 1000R HIGH ARTICULATED" ADJUSTABLE AND ARTICULATED FOOT MOUNT (4 PCS. PACK)	60	175-220	105



**DOWNLOAD
DATASHEET**

GENIUS 1200R ADJUSTABLE LARGE FOOT MOUNT

 **LARGE ADJUSTABLE FOOT MOUNT**

 **PIED AU SOL RÉGLABLE**

 **VERSTELLBARER BODENFUß**

TECHNICAL SPECIFICATIONS

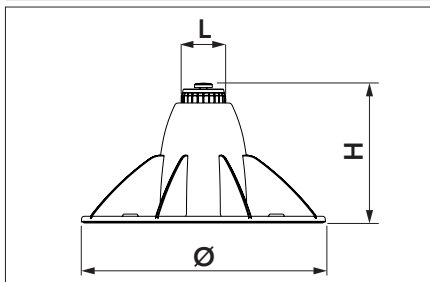
- HIGH MECHANICAL STRENGTH
- REAR ANTI-VIBRATION RUBBER MAT 10 MM
- BUILT-IN SPIRIT LEVEL
- 4 HOLES DESIGNED FOR FLOOR FASTENING
- ADJUSTABLE RING NUT WITH NON-SLIP KNURLING HEIGHT FROM 170 TO 210 MM
- QUICK FASTENING PIN Ø 10 OR SCREW M10
- AVAILABLE IN BLACK

CARACTÉRISTIQUES TECHNIQUES

- RÉSISTANCE MÉCANIQUE ÉLEVÉE
- TAPIS EN CAOUTCHOUC ANTIVIBRATOIRE ARRIÈRE DE 10 MM
- BULLE INTÉGRÉE
- N° 4 TROUS CONÇUS POUR LA FIXATION AU SOL
- BAGUE RÉGLABLE AVEC HAUTEUR AVEC MOLETAGE ANTIDÉRAPANT DE 170 À 210 MM
- FIXATION AVEC VIS M10
- DISPONIBLE EN NOIR

TECHNISCHE EIGENSCHAFTEN

- HOHE MECHANISCHE FESTIGKEIT
- HINTERE SCHWINGUNGSDÄMPFENDE GUMMIMATTE 10 MM
- EINGEBAUTE WASSERWAAGE
- 4 BOHRUNGEN FÜR DIE BODENBEFESTIGUNG
- EINSTELLRINGMUTTER MIT RUTSCHFESTER RÄNDELUNG HÖHE VON 170 BIS 210 MM
- BEFESTIGUNG MIT M10 SCHRAUBE
- ERHÄLTICH IN SCHWARZ



WITH M10 SCREW

FIXING WITH PIN Ø 10



RUBBER VIBRATION-DAMPING

FASTENING HOLE FOR AIR CONDITIONING

HOLE FOR ADJUSTING TOOL

ADJUSTMENT WITH ANTI-SKID GRAIN

MATERIAL WITH HIGH MECHANICAL RESISTANCE

ADJUSTMENT RINGNUT IN HEIGHT MIN 170 - MAX 210 mm



BUILT IN SPIRIT LEVEL

KG LOAD CAPACITY
1200 kg!

STABILITY RIBS

 **MADE IN ITALY**

NO. 4 HOLES READY FOR FASTENING TO THE FLOOR

VIBRATION-DAMPING IN MAT VULCANISED RUBBER THICKNESS mm 10

CODE	DESCRIPTION	L [mm]	Ø [mm]	H [mm]
11105400	"GENIUS 1200R" LARGE ADJUSTABLE FOOT MOUNT WITH M10 SCREW	60	330	170-210



DOWNLOAD DATASHEET

SPANNER WRENCH FOR GENIUS IN METAL

ALLOWS YOU TO ADJUST THE FOOT AND THE GENIUS SYSTEM IN HEIGHT AFTER INSTALLATION



CODE	DESCRIPTION
SCD500024	SPANNER WRENCH FOR "GENIUS" IN METAL



DOWNLOAD DATASHEET

GENIUS 1200R HIGH ARTICULATED



ADJUSTABLE AND
ARTICULATED FOOT MOUNT



PIED DE SOL
RÉGLABLE ET ARTICULÉ



EINSTELLBAR UND
BEWEGLICH BODENFUSS

TECHNICAL SPECIFICATIONS

- HIGH MECHANICAL RESISTANCE
- REAR ANTIVIBRATION RUBBER MAT 10 mm
- INCORPORATED BUBBLE
- 4 HOLES PREPARED FOR FIXING TO THE FLOOR
- ADJUSTMENT RING WITH ANTI-SLIP KNURLING HEIGHT FROM 200 TO 300 mm
- FIXING PIN WITH M10 SCREW

CARACTÉRISTIQUES TECHNIQUES

- RÉSISTANCE MÉCANIQUE ÉLEVÉE
- TAPIS EN CAOUTCHOUC ANTIVIBRATOIRE ARRIÈRE DE 10 mm
- BULLE INTÉGRÉE
- N° 4 TROUS CONÇUS POUR LA FIXATION AU SOL
- BAGUE RÉGLABLE AVEC HAUTEUR DE MOLETAGE ANTIDÉRAPANT DE 200 À 300 mm
- GOUPILLE DE FIXATION AVEC VIS M10
- DISPONIBLE EN NOIR

TECHNISCHE EIGENSCHAFTEN

- HOHE MECHANISCHE FESTIGKEIT
- HINTERE SCHWINGUNGSDÄMPFENDE GUMMIMATTE 10 MM
- EINGEBAUTE WASSERWAAGE
- 4 BOHRUNGEN FÜR DIE BODENBEFESTIGUNG
- EINSTELLRINGMUTTER MIT RUTSCHFESTER RÄNDELUNG HÖHE VON 200 BIS 300 MM
- BEFESTIGUNGSSTIFT MIT M10-SCHRAUBE
- ERHÄLTICH IN SCHWARZ



**HIGH
ARTICULATED**

VIBRATION DUMPING IN RUBBER

HOLE FOR ADJUSTING TOOL



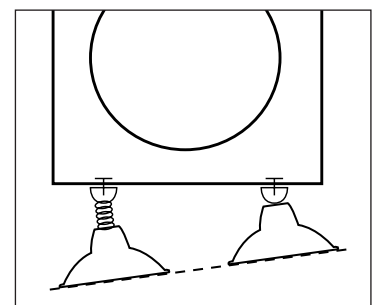
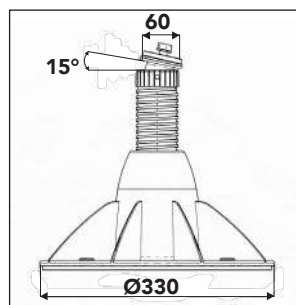
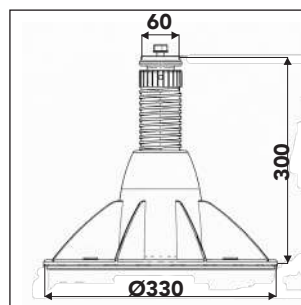
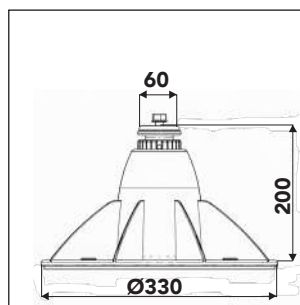
DOWNLOAD
DATASHEET

MATERIAL WITH HIGH
MECHANICAL RESISTANCE

BUILT IN
SPIRIT LEVEL

KG LOAD CAPACITY
1200 kg!

NO. 4 HOLES READY FOR FASTENING TO THE FLOOR



CODE	DESCRIPTION	Ø [mm]	H [mm]
11105405	"GENIUS 1200R HIGH ARTICULATED" ADJUSTABLE AND ARTICULATED FOOT MOUNT (4 PCS. PACK)	320	200 - 300



0-15°

WITH M10
SCREW

MADE IN ITALY

ASTENING HOLE FOR AIR CONDITIONING

ADJUSTMENT
WITH ANTI-SKID GRAIN

ADJUSTMENT RINGNUT IN
HEIGHT MIN. 200 - MAX 300 mm

STABILITY RIBS

VIBRATION
DAMPING MAT IN
VULCANISED RUBBER
THICKNESS 10 mm

TUNNEL SUPPORT SYSTEM

THE SUPPORT SYSTEM MOD. "TUNNEL" OFFERS A SIMPLE, QUICK AND VERSATILE ALTERNATIVE FOR THE SUPPORT OF ELECTRICAL WIRING, CHANNELS FOR DUCTWORK AND TRUNKING FOR AIR CONDITIONING SYSTEMS NECESSARY IN THE REALISATION OF SYSTEMS.

THE "TUNNEL" MODEL SUPPORTS INCLUDE PROFILES IN GALVANISED STEEL, MOUNTING HARDWARE AND THE FLOOR SUPPORT MOD. "HERCULES". THIS SIMPLE AND ECONOMICAL FASTENING SYSTEM MAKES IT POSSIBLE TO REDUCE ON-SITE INSTALLATION TIME AND COSTS OF THE SYSTEMS THEMSELVES.



DOWNLOAD DATASHEET

KG LOAD CAPACITY
280 kg!

 MADE IN ITALY

CODE	DESCRIPTION	H [mm]	L [mm]	LOAD CAPACITY [kg]
11105250	"TUNNEL" SUPPORT SYSTEM 500x500	500	500	280
11105260	"TUNNEL" SUPPORT SYSTEM 500x750	500	750	280
11105270	"TUNNEL" SUPPORT SYSTEM 500x1000	500	1000	280
11105280	"TUNNEL" SUPPORT SYSTEM 750x500	750	500	280
11105290	"TUNNEL" SUPPORT SYSTEM 750x750	750	750	280
11105300	"TUNNEL" SUPPORT SYSTEM 750x1000	750	1000	280
11105310	"TUNNEL" SUPPORT SYSTEM 1000x500	1000	500	280
11105320	"TUNNEL" SUPPORT SYSTEM 1000x750	1000	750	280
11105330	"TUNNEL" SUPPORT SYSTEM 1000x1000	1000	1000	280

HERCULES

 FLOOR SUPPORT

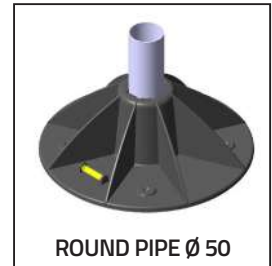
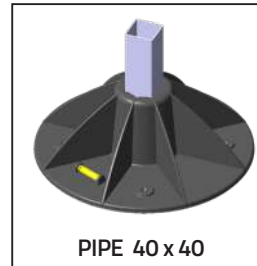
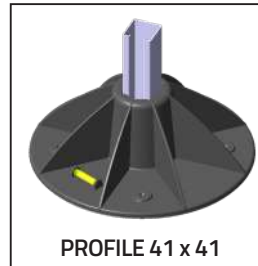
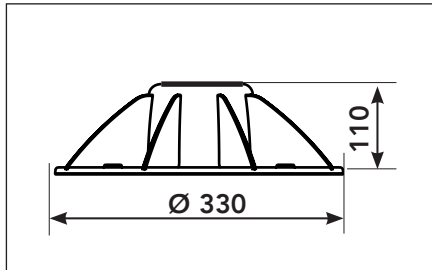
 APPUI AU SOL

 BODENSTÜTZE

THE RANGE OF VIBRATION-DAMPING FLOOR SUPPORTS HAS BEEN DESIGNED TO SUPPORT HIGH LOADS AND IS RECOMMENDED FOR THE POSITIONING OF LARGE MACHINES SUCH AS: VRV-VRF, REFRIGERATION UNITS, AIR HANDLING UNITS, LARGE INDUSTRIAL PLANTS IN GENERAL.

THROUGH THE THREADED PIN AND ADJUSTMENT, ANY MACHINE CAN BE ADJUSTED IN HEIGHT AND LEVELLED.

IT IS FULLY MADE WITH Ø 50 GALVANISED STEEL PIPE COMPLETE WITH NUTS, WASHERS, THREADED BARS.



 **LOAD CAPACITY**
1200 kg!

 **MADE IN ITALY**



SEAT FOR ROUND PIPE SQUARE
Ø50, 40x40 AND FOR PROFILE 41x41

STABILITY RIBS

HIGH - MECHANICAL
STRENGTH MATERIAL



BUILT IN
SPIRIT LEVEL

NO. 4 HOLES READY
FOR FASTENING TO THE FLOOR

VIBRATION-DAMPING MAT
IN VULCANISED RUBBER
THICKNESS mm. 10



HERCULES

 **ADJUSTABLE FLOOR SUPPORT**

 **APPUI AU SOL RÉGLABLE**

 **VERSTELLBARE BODENSTÜTZE**

TECHNICAL SPECIFICATIONS

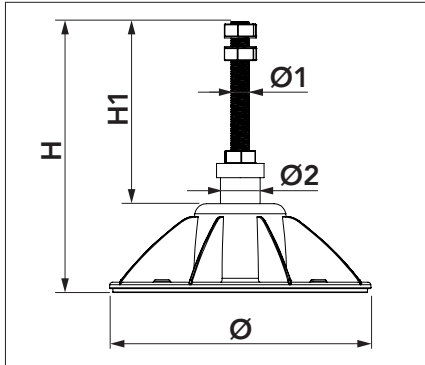
- HIGH MECHANICAL STRENGTH
- REAR ANTI-VIBRATION RUBBER MAT 10 mm
- BUILT-IN SPIRIT LEVEL
- THREADED BAR
- GALVANISED TUBE Ø 50 mm
- AVAILABLE IN BLACK

CARACTÉRISTIQUES TECHNIQUES

- RÉSISTANCE MÉCANIQUE ÉLEVÉE
- TAPIS EN CAOUTCHOUC ANTIVIBRATOIRE ARRIÈRE DE 10 mm D'ÉPAISSEUR
- BULLE INTÉGRÉE
- BARRE FILETÉE
- TUYAU GALVANISÉ Ø 50 mm
- DISPONIBLE EN NOIR

TECHNISCHE EIGENSCHAFTEN

- HOHE MECHANISCHE FESTIGKEIT
- HINTERE SCHWINGUNGSDÄMPFENDE GUMMIMATTE 10 mm
- EINGEBAUTE WASSERWAAGE
- GEWINDESTANGE
- VERZINKTES ROHR Ø 50 mm
- ERHÄLTICH IN SCHWARZ



 **MADE IN ITALY**



KG LOAD CAPACITY
2000 kg!

GALVANIZED PIPE Ø 50



DOWNLOAD DATASHEET

CODE	DESCRIPTION	Ø [mm]	Ø1 [mm]	Ø2 [mm]	H [mm]	H1 [mm]	LOAD CAPACITY [kg]
11105110	FLOOR SUPPORT "HERCULES" 100 (PACK OF 2 PCS)	330			106		2000
11105120	FLOOR SUPPORT "HERCULES" 210 -300 (PACK OF 2 PCS)	330	M24	50	210 - 300	104 - 194	2000
11105130	FLOOR SUPPORT "HERCULES" 260 - 390 (PACK OF 2 PCS)	330	M24	50	260 - 390	154 - 284	2000
11105140 *	FLOOR SUPPORT "HERCULES" 370 - 500 (PACK OF 2 PCS)	330	M24	50	370 - 500	264 - 394	2000

* AVAILABLE ON REQUEST

HERCULES MODULAR 1-2-3

 **ADJUSTABLE SUPPORT SYSTEM**

 **APPUI AU SOL RÉGLABLE**

 **VERSTELLBARE BODENSTÜTZE**

TECHNICAL SPECIFICATIONS

- GALVANISED STEEL PROFILE STRUCTURE
- ADJUSTABLE FEET HERCULES MODEL
- ADAPTABLE TO ALL MACHINES ON THE MARKET

CARACTÉRISTIQUES TECHNIQUES

- STRUCTURE PROFILÉE EN ACIER GALVANISÉ
- PIEDS RÉGLABLES HERCULES
- ADAPTABLE À TOUTES LES MACHINES SUR LE MARCHÉ

TECHNISCHE EIGENSCHAFTEN

- PROFILSTRUKTUR AUS VERZINKTEM STAHL
- VERSTELLBARE FÜSSE MODELL HERCULES
- ANPASSBAR AN ALLE HANDELSÜBLICHEN MASCHINEN

HEIGHT-ADJUSTABLE

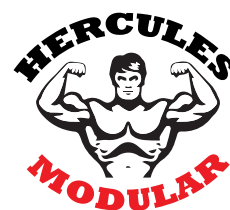
RÉGLABLE EN HAUTEUR

HÖHENVERSTELLBAR

IDEAL FOR VRF-VRV, REFRIGERATION UNITS AND AIR TREATMENT SYSTEMS

IDÉAL POUR VRF-VRV, GROUPES FRIGORIFIQUES ET CTA

IDEAL FÜR VRF-VRV, KÜHLAGGREGATE UND AHUS



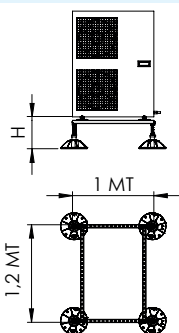
 **MADE IN ITALY**



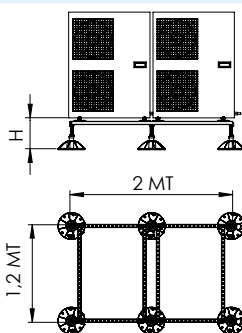
DOWNLOAD DATASHEET



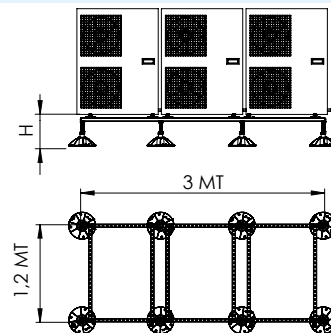
HERCULES MODULAR 1



HERCULES MODULAR 2



HERCULES MODULAR 3



CODE	DESCRIPTION	H [mm]	LOAD CAPACITY [kg]
SCD500052	ADJUSTABLE SUPPORT SYSTEM "HERCULES MODULAR 1" 270-360	270-360	8.000
SCD500053	ADJUSTABLE SUPPORT SYSTEM "HERCULES MODULAR 1" 320-450	320-450	8.000
SCD500054 *	ADJUSTABLE SUPPORT SYSTEM "HERCULES MODULAR 1" 430-560	430-560	8.000
SCD500055	ADJUSTABLE SUPPORT SYSTEM "HERCULES MODULAR 2" 270-360	270-360	12.000
SCD500056	ADJUSTABLE SUPPORT SYSTEM "HERCULES MODULAR 2" 320-450	320-450	12.000
SCD500057 *	ADJUSTABLE SUPPORT SYSTEM "HERCULES MODULAR 2" 430-560	430-560	12.000
SCD500058	ADJUSTABLE SUPPORT SYSTEM "HERCULES MODULAR 3" 270-360	270-360	16.000
SCD500059	ADJUSTABLE SUPPORT SYSTEM "HERCULES MODULAR 3" 320-450	320-450	16.000
SCD500060 *	ADJUSTABLE SUPPORT SYSTEM "HERCULES MODULAR 3" 430-560	430-560	16.000

* AVAILABLE ON REQUEST

GENIUS 1200 MODULAR HIGH ARTICULATED

 **ADJUSTABLE FLOOR SUPPORT**

 **APPUI AU SOL RÉGLABLE**

 **VERSTELLBARE BODENSTÜTZE**

TECHNICAL SPECIFICATIONS

- GALVANISED STEEL PROFILE STRUCTURE
- ADJUSTABLE FEET HERCULES MODEL
- ADAPTABLE TO ALL MACHINES ON THE MARKET

CARACTÉRISTIQUES TECHNIQUES

- STRUCTURE PROFILÉE EN ACIER GALVANISÉ
- PIEDS RÉGLABLES HERCULES
- ADAPTABLE À TOUTES LES MACHINES SUR LE MARCHÉ

TECHNISCHE EIGENSCHAFTEN

- PROFILSTRUKTUR AUS VERZINKTEM STAHL
- VERSTELLBARE FÜSSE MODELL HERCULES
- ANPASSBAR AN ALLE HANDELSÜBLICHEN MASCHINEN

HEIGHT-ADJUSTABLE

RÉGLABLE EN HAUTEUR

HÖHENVERSTELLBAR

IDEAL FOR VRF-VRV, REFRIGERATION UNITS AND AIR TREATMENT SYSTEMS

IDÉAL POUR VRF-VRV, GROUPES FRIGORIFIQUES ET CTA

IDEAL FÜR VRF-VRV, KÜHLAGGREGATE UND AHUS



JUNCTION DETAIL



 **MADE IN ITALY**



DOWNLOAD DATASHEET

GENIUS MODULAR 1	GENIUS MODULAR 2	GENIUS MODULAR 3

CODE	DESCRIPTION	HEIGHT [mm]	LOAD CAPACITY [kg]
SCD500061	SUPPORT SYSTEM "GENIUS MODULAR 1" 280-370	MIN. 280 - MAX. 370	4.800
SCD500062	SUPPORT SYSTEM "GENIUS MODULAR 2" 280-370	MIN. 280 - MAX. 370	7.200
SCD500063	SUPPORT SYSTEM "GENIUS MODULAR 3" 280-370	MIN. 280 - MAX. 370	9.600



TRAY FOR ADJUSTABLE SUPPORT SYSTEMS

for HERCULES MODULAR and GENIUS MODULAR



BAC POUR SYSTÈMES DE SUPPORT RÉGLABLES

HERCULES MODULAR et GENIUS MODULAR



WANNE FÜR DIE VERSTELLBAREN HALTERUNGSSYSTEME

für HERCULES MODULAR und GENIUS MODULAR

TECHNICAL SPECIFICATIONS

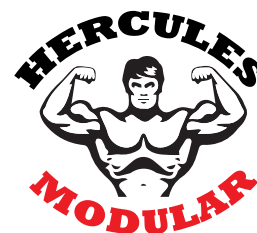
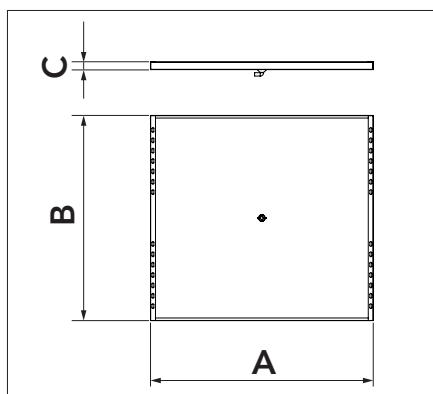
- MADE OF GALVANIZED SHEET METAL
- ADAPTABLE TO ALL MODULAR 1, 2, 3 SYSTEMS
- SUPPLIED WITH Ø 16 CONDENSATE DRAIN PIPE COUPLING
- SUPPLIED WITH FASTENING SCREWS

CARACTÉRISTIQUES TECHNIQUES

- FABRIQUÉ EN TÔLE GALVANISÉE
- ADAPTABLE À TOUS LES SYSTÈMES MODULAIRES 1, 2, 3
- LIVRÉ AVEC RACCORD DE TUYAU DE VIDANGE DE CONDENSAT Ø 16
- LIVRÉ AVEC LE MATÉRIEL DE MONTAGE

TECHNISCHE EIGENSCHAFTEN

- REALIZZATA IN LAMIERA ZINCATA
- ADATTABILE A TUTTI I SISTEMI MODULAR 1, 2, 3
- FORNITA CON ATTACCO PER TUBO SCARICO CONDENZA Ø16
- FORNITA CON VITERIA PER IL MONTAGGIO



 MADE IN ITALY



 EXAMPLE OF TRAY INSTALLED ON HERCULES MODULAR 1 SUPPORT SYSTEM



DOWNLOAD DATASHEET

CODE	DESCRIPTION	DIMENSIONS		
		A [mm]	B [mm]	C [mm]
SCD500084	TRAY FOR ADJUSTABLE SUPPORT SYSTEMS "HERCULES MODULAR" AND "GENIUS MODULAR"	1075	990	38

SUELO MAXI

 FLOOR BASE PAIR WITH VIBRATION-DAMPER

 PAIRE DE BASES AU SOL AVEC ANTI-VIBRATION

 PAAR BODENBASIS MIT SCHWINGUNGSDÄMPFUNG

TECHNICAL SPECIFICATIONS

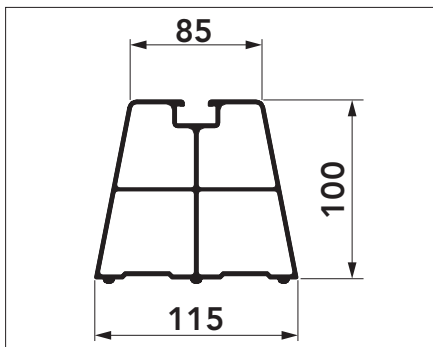
- STIFF ANTI-UVA, SHOCKPROOF PVC
- RUBBER SUPPORT BASE
- IVORY COLOUR
- SIZES 350 - 450 - 600 - 1000 mm
- SCREWS SUPPLIED M8
- PACK OF 2 PIECES SUPPLIED WITH SCREWS AND SHRINK-WRAPPED

CARACTÉRISTIQUES TECHNIQUES

- PVC RIGIDE ANTI-UVA, RÉISTANT AUX CHOCS
- BASE DE SUPPORT EN CAOUTCHOUC
- COULEUR IVOIRE
- TAILLES 350 - 450 - 600 - 1000 mm
- VIS FOURNIES M8
- EMBALLAGE EN PAIRE DE 2 PIÈCES AVEC VIS FOURNIES ET SOUS FILM RÉTRACTABLE

TECHNISCHE EIGENSCHAFTEN

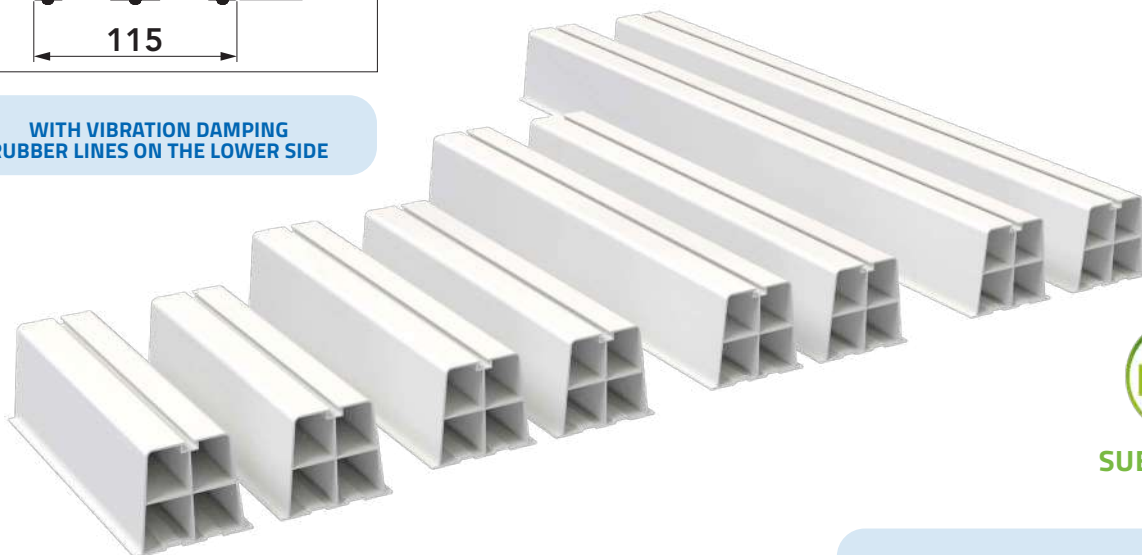
- STARRES, STOSSFESTES UND UVA-GESCHÜTZTES PVC
- FARBE: WEISS
- GRÖSSEN 350 - 450 - 600 - 1000 mm
- MITGELIEFERTE SCHRAUBEN M8
- EINGESCHRUMPFTE 2ER-PACKUNG MIT MITGELIEFERTEN SCHRAUBEN



WITH VIBRATION DAMPING RUBBER LINES ON THE LOWER SIDE



  MADE IN ITALY



new

SUELO MAXI L. 600

AVAILABLE IN A PRATICAL BOX

CODE	DESCRIPTION	COLOUR	LOAD kg / 1 PCS.
11105011	SUELO MAXI 350 IVORY FLOOR BASE PAIR (10 PCS. PACK)	IVORY	140
11105021	SUELO MAXI 450 IVORY FLOOR BASE PAIR (10 PCS. PACK)	IVORY	180
SCD500184	SUELO MAXI 600 IVORY FLOOR BASE PAIR (10 PCS. PACK)	IVORY	240
11105030	SUELO MAXI 1000 IVORY FLOOR BASE PAIR (2 PCS. PACK)	IVORY	400



DOWNLOAD DATASHEET

SUELO MAXI

 CLOSING CAP

 BOUCHON DE FERMETURE

 ABSCHLUSSKAPPE



  MADE IN ITALY

CODE	DESCRIPTION
11105001	SUELO MAXI IVORY CLOSING CAP (PACK OF 20 PCS.)



DOWNLOAD DATASHEET

new

SUELO MAXI ECO

 FLOOR BASE PAIR WITH VIBRATION-DAMPER

 PAIRE DE BASES AU SOL AVEC ANTI-VIBRATION

 PAAR BODENBASIS MIT SCHWINGUNGSDÄMPFUNG

TECHNICAL SPECIFICATIONS

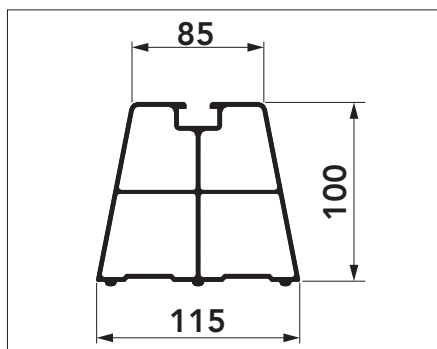
- STIFF ANTI-UVA, SHOCKPROOF PVC
- RUBBER SUPPORT BASE
- BLACK COLOUR
- SIZES 350 - 450 - 600 - 1000 mm
- SCREWS SUPPLIED M8
- PACK OF 2 PIECES SUPPLIED WITH SCREWS AND SHRINK-WRAPPED

CARACTÉRISTIQUES TECHNIQUES

- PVC RIGIDE ANTI-UVA, RÉISTANT AUX CHOCS
- BASE DE SUPPORT EN CAOUTCHOUC
- COULEUR NOIRE
- TAILLES 350 - 450 - 600 - 1000 mm
- VIS FOURNIES M8
- EMBALLAGE EN PAIRE DE 2 PIÈCES AVEC VIS FOURNIES ET SOUS FILM RÉTRACTABLE

TECHNISCHE EIGENSCHAFTEN

- STARRES, STOSSFESTES UND UVA-GESCHÜTZTES PVC
- FARBE: SCHWARZ
- GRÖSSEN 350 - 450 - 600 - 1000 mm
- MITGELIEFERTE SCHRAUBEN M8
- EINGESCHRUMPFTE 2ER-PACKUNG



WITH VIBRATION DAMPING RUBBER LINES ON THE LOWER SIDE



  MADE IN ITALY



DOWNLOAD DATASHEET

CODE	DESCRIPTION	COLOUR	LOAD kg / 1 PCS.
SCD5E0001	SUELO MAXI 350-E BLACK FLOOR BASE PAIR	BLACK	140
SCD5E0002	SUELO MAXI 450-E BLACK FLOOR BASE PAIR	BLACK	180
SCD5E0010	SUELO MAXI 600-E BLACK FLOOR BASE PAIR	BLACK	240
SCD5E0003	SUELO MAXI 1000-E BLACK FLOOR BASE PAIR	BLACK	400

SUELO MAXI ECO

 CLOSING CAP

 BOUCHON DE FERMETURE

 ABSCHLUSSKAPPE



  MADE IN ITALY



DOWNLOAD DATASHEET

CODE	DESCRIPTION
SCD5E0004	SUELO MAXI-E BLACK CLOSING CAP (PACK OF 20 PCS.)

SUELO MINI



FLOOR BASE PAIR WITH VIBRATION-DAMPER



PAIRE DE BASES AU SOL AVEC ANTI-VIBRATION



PAAR BODENBASIS MIT SCHWINGUNGSDÄMPFUNG

TECHNICAL SPECIFICATIONS

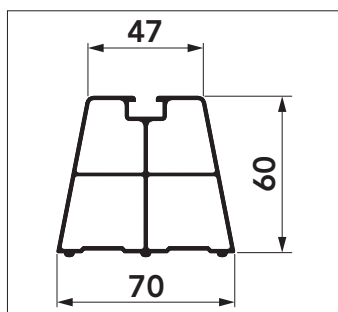
- STIFF ANTI-UVA, SHOCKPROOF PVC
- RUBBER SUPPORT BASE
- IVORY COLOUR
- SIZES 330 - 400 - 470 - 1000 mm
- SCREWS SUPPLIED M8

CARACTÉRISTIQUES TECHNIQUES

- PVC RIGIDE ANTI-UVA, RÉISTANT AUX CHOCS
- BASE DE SUPPORT EN CAOUTCHOUC
- COULEUR IVOIRE
- TAILLES 330 - 400 - 470 - 1000 mm
- VIS FOURNIES M8

TECHNISCHE EIGENSCHAFTEN

- STARRES, STOSSFESTES UND UVA-GESCHÜTZTES PVC
- FARBE: WEISS
- GRÖSSEN 330 - 400 - 470 - 1000 mm
- MITGELIEFERTE SCHRAUBEN M8



MADE IN ITALY

WITH VIBRATION DAMPING RUBBER LINES ON THE LOWER SIDE

CODE	DESCRIPTION	LOAD kg / 1 PCS.
11105031	SUELO MINI 330 IVORY FLOOR BASE PAIR (10 PCS. PACK)	90
11105032	SUELO MINI 400 IVORY FLOOR BASE PAIR (10 PCS. PACK)	130
11105033	SUELO MINI 470 IVORY FLOOR BASE PAIR (10 PCS. PACK)	180
11105034	SUELO MINI 1000 IVORY FLOOR BASE PAIR (2 PCS. PACK)	300



DOWNLOAD DATASHEET

SUELO MINI



MADE IN RIGID SHOCKPROOF PVC



DOWNLOAD DATASHEET

MADE IN ITALY



CODE	DESCRIPTION
11105002	TAPPO DI CHIUSURA PER BASE SUELO MINI AVORIO (CONF. 10 PZ.)

new

SUELO MINI ECO



FLOOR BASE PAIR WITH VIBRATION-DAMPER



PAIRE DE BASES AU SOL AVEC ANTI-VIBRATION



PAAR BODENBASIS MIT SCHWINGUNGSDÄMPFUNG

TECHNICAL SPECIFICATIONS

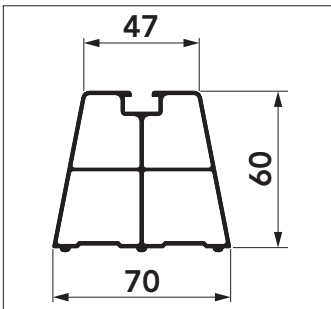
- STIFF ANTI-UVA, SHOCKPROOF PVC
- RUBBER SUPPORT BASE
- BLACK COLOUR
- SIZES 330 - 400 - 470 - 1000 mm
- SCREWS SUPPLIED M8

CARACTÉRISTIQUES TECHNIQUES

- PVC RIGIDE ANTI-UVA, RÉISTANT AUX CHOCS
- BASE DE SUPPORT EN CAOUTCHOUC
- COULEUR NOIRE
- TAILLES 330 - 400 - 470 - 1000 mm
- VIS FOURNIES M8

TECHNISCHE EIGENSCHAFTEN

- STARRES, STOSSFESTES UND UVA-GESCHÜTZTES PVC
- FARBE: SCHWARZ
- GRÖSSEN 330 - 400 - 470 - 1000 mm
- MITGELIEFERTE SCHRAUBEN M8



MADE IN ITALY

WITH VIBRATION DAMPING RUBBER LINES ON THE LOWER SIDE

CODE	DESCRIPTION	LOAD kg / 1 PCS.
SCD5E0005	SUELO MINI 330-E BLACK FLOOR BASE PAIR	90
SCD5E0006	SUELO MINI 400-E BLACK FLOOR BASE PAIR	130
SCD5E0007	SUELO MINI 470-E BLACK FLOOR BASE PAIR	180
SCD5E0008	SUELO MINI 1000-E BLACK FLOOR BASE PAIR	300



DOWNLOAD DATASHEET

SUELO MINI

new



DOWNLOAD DATASHEET

MADE IN ITALY

MADE OF RECYCLED AND SHOCKPROOF RIGID PVC



CODE	DESCRIPTION
SCD5E0009	SUELO MINI-E BLACK CLOSING CAP (PACK OF 10 PCS.)

HS



VIBRATION DAMPING KIT FOR BRACKETS AND FLOOR BASES



KIT ANTI-VIBRATIONS POUR SUPPORTS ET SOCLES AU SOL



KIT SCHWINGUNGSDÄMPFER FÜR BÜGEL UND BODENSOCKEL

TECHNICAL SPECIFICATIONS

- MADE OF SOFT, UVA-RESISTANT PVC
- VIBRATION DAMPER, SOFT MODEL, 50 SHORE, LIGHT GREY
- VIBRATION DAMPER, HARD MODEL, 70 SHORE, DARK GREY
- INCLUDES ALL SCREWS

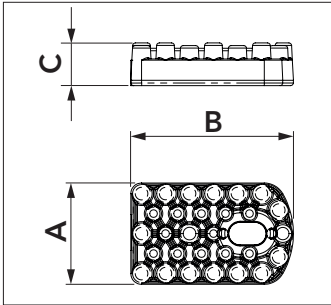
CARACTÉRISTIQUES TECHNIQUES

- FABRIQUÉ EN PVC DOUX RÉSISTANT AUX UVA
- PLOTS ANTI-VIBRATIONS SOUPLES 50 SHORE, COULEUR GRIS CLAIR
- PLOTS ANTI-VIBRATIONS DURS 70 SHORE, COULEUR GRIS FONCÉ
- LIVRÉ AVEC VIS

TECHNISCHE EIGENSCHAFTEN

- AUS WEICHEM, UVA-GESCHÜTZTEM PVC
- 50 SHORE SOFT-SCHWINGUNGSDÄMPFER, HELLGRAU
- 70 SHORE HARD-SCHWINGUNGSDÄMPFER, DUNKELGRAU
- KOMPLETT MIT SCHRAUBEN

MADE IN ITALY



EXAMPLE OF ASSEMBLY



SOFT

HARD



DOWNLOAD DATASHEET

CODICE	DESCRIZIONE	DIMENSIONI		
		A [mm]	B [mm]	C [mm]
SCD500159	HS VIBRATION DAMPING KIT FOR BRACKETS AND FLOOR BASES	38	52	14

PITAGORA



FLOOR BASES



BASES AU SOL



BODENSOCKEL

TECHNICAL SPECIFICATIONS

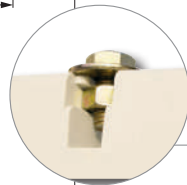
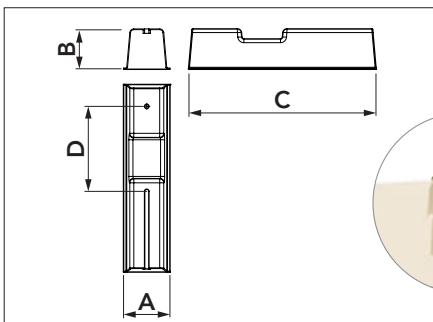
- ANTI-UVA GLASS - FILLED NYLON
- IVORY COLOUR
- INCLUDES M8 BOLTS
- HIGH MECHANICAL STRENGTH
- SLOT FOR PIPES AND ELECTRICAL CABLES

CARACTÉRISTIQUES TECHNIQUES

- NYLON ANTI - UVA CHARGÉ DE VERRE
- COULEUR IVOIRE
- LIVRÉ AVEC DES BOULONS M8
- RÉSISTANCE MÉCANIQUE ÉLEVÉE
- FENTE PRÉVUE POUR LE PASSAGE DES TUYAUX ET CÂBLES ÉLECTRIQUES

TECHNISCHE EIGENSCHAFTEN

- UVA - GESCHÜTZTES NYLON MIT GLASFASERVERSTÄRKUNG.
- ELFENBEINFARBEN
- KOMPLETT MIT M8-SCHRAUBEN
- HOHE MECHANISCHE FESTIGKEIT
- SCHLITZ FÜR DEN DURCHGANG VON ROHREN UND ELEKTRISCHEN KABELN



MOD. 365

MOD. 465

MADE IN ITALY



DOWNLOAD DATASHEET

CODE	DESCRIPTION	DIMENSIONS				LOAD CAPACITY [kg]
		A [mm]	B [mm]	C [mm]	D [mm]	
11105035	PITAGORA FLOOR BASE 365 (PACK OF 10 PCS.)	115	80	365	200-310	140
11105036	PITAGORA FLOOR BASE 465 (PACK OF 10 PCS.)	115	80	465	300-410	240

Reduce - Reuse - Recycle

To build a more sustainable future



A new ride for worn tyres

**a virtuosity resulting from the research and planning
of our circular economy**

Since they were first invented, tyres have revolutionised a concept of mobility and the rubber with which they are produced is truly irreplaceable but, like all highly wearable materials, they too reach their end of life. It is a common belief that the rubber they are made of is not easy to dispose of but with the right research and process tools, it becomes a highly recyclable material which, when shredded, is reduced to granules.

Our Extreme bases are created from these recovered vulcanised rubber granules: the positive effect that is generated is not only the reduced environmental impact linked to the disposal of the tyre but also in energy terms as **the production of recycled rubber requires less energy in the process of its production compared to virgin rubber.**



EXTREME FLOOR MOUNTING BLOCK SBR VULCANISED RUBBER VIBRATION DAMPER

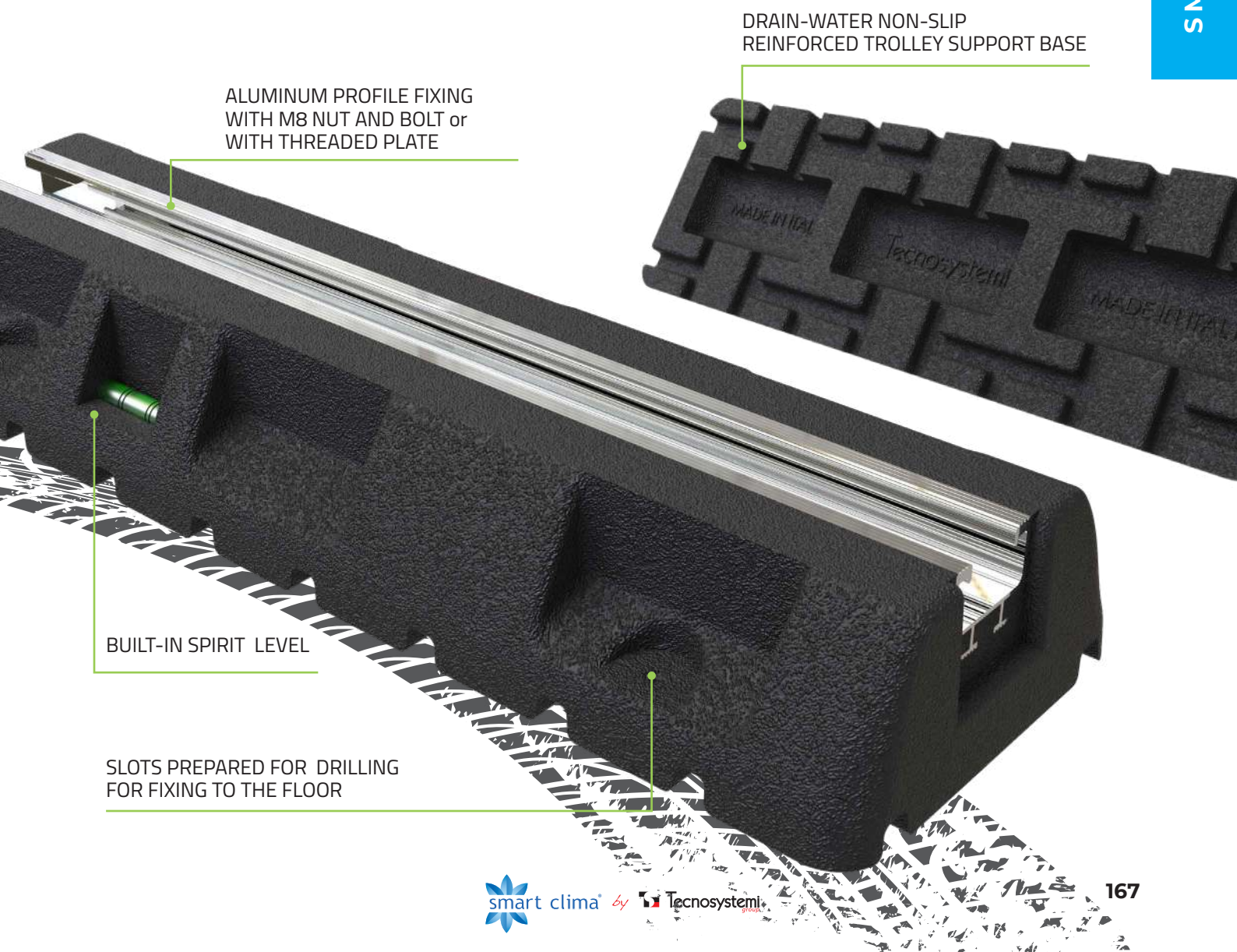
MADE IN ITALY



The "EXTREME" vibration damping floor mounting block is made with a characteristic granule structure in vulcanised recycled rubber and is equipped with an aluminium profile useful for fixing the external condensing unit to the support itself. The floor mounting block can be used to support outdoor condensing units, vrv-vrf, floor standing boilers, electrical ducts or piping.

The floor mounting block is equipped with a built-in spirit level for correct positioning and can be fixed to the ground. The machines are fixed to the base with M8 nut and screw or with the sliders with m8 screw supplied.

MADE OF SBR VULCANISED RUBBER



ALUMINUM PROFILE FIXING
WITH M8 NUT AND BOLT or
WITH THREADED PLATE

DRAIN-WATER NON-SLIP
REINFORCED TROLLEY SUPPORT BASE

BUILT-IN SPIRIT LEVEL

SLOTS PREPARED FOR DRILLING
FOR FIXING TO THE FLOOR

KIT 3 PCS. EXTREME 100-8

 VULCANISED RUBBER
VIBRATION-RESISTANT
FLOOR BASE

 BASE AU SOL ANTI-
VIBRATIONS EN
CAOUTCHOUC VULCANISÉ

 VIBRATIONSBESTÄNDIGER
BODENSOCKEL AUS
VULKANISIERTEM GUMMI



 MADE IN ITALY



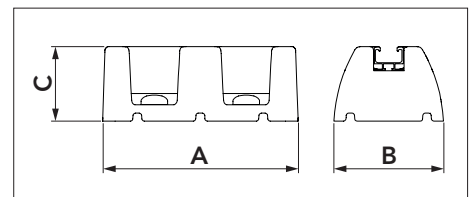
EMBEDDED "U" PROFILE
FOR STRONG
TIGHTNESS



DOWNLOAD
DATASHEET

COMPLETE WITH BOLT
AND NUT M8

**KIT 3 PCS IDEAL FOR
HEAT PUMPS**



CODIE	DESCRIPTION	DIMENSIONS			LOAD CAPACITY
		A [mm]	B [mm]	C [mm]	[kg]
SCD500153	KIT 3 PCS. "EXTREME 100-8 600" - FLOOR BASE (3 PCS.)	600	140	95	500

KIT 3 PCS. EXTREME 100-20

 VULCANISED RUBBER
VIBRATION-RESISTANT
FLOOR BASE

 BASE AU SOL ANTI-
VIBRATIONS EN
CAOUTCHOUC VULCANISÉ

 VIBRATIONSBESTÄNDIGER
BODENSOCKEL AUS
VULKANISIERTEM GUMMI



 MADE IN ITALY



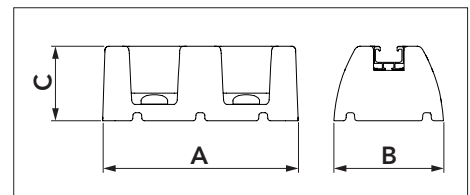
EMBEDDED "U" PROFILE
FOR STRONG
TIGHTNESS



DOWNLOAD
DATASHEET

COMPLETE WITH
THREADED PLATE TYPE-B
PROFILE

**KIT 3 PCS IDEAL FOR
HEAT PUMPS**



CODE	DESCRIZIONE	DIMENSIONS			LOAD CAPACITY
		A [mm]	B [mm]	C [mm]	[kg]
SCD500154	KIT 3 PCS. "EXTREME 100-20 600" - FLOOR BASE (3 PCS.)	600	140	95	500

EXTREME 100-8

 VULCANISED RUBBER
VIBRATION-RESISTANT
FLOOR BASE

 BASE AU SOL ANTI-
VIBRATIONS EN
CAOUTCHOUC VULCANISÉ

 VIBRATIONSBESTÄNDIGER
BODENSOCKEL AUS
VULKANISIERTEM GUMMI



EXTREME
100-8

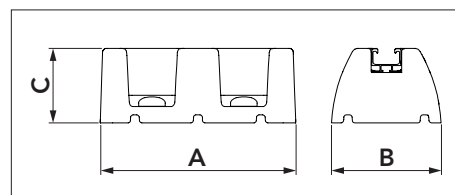


 MADE IN ITALY

PROFILE IN
ALUMINIUM
FIXING WITH BOLT
AND NUT M8



DOWNLOAD
DATASHEET



CODE	DESCRIPTION	DIMENSIONS			LOAD CAPACITY
		A [mm]	B [mm]	C [mm]	[kg]
11105060	EXTREME 100 - 8" 250 - FLOOR BASE (PACK OF 2 PCS.)	250	140	95	200
11105062	EXTREME 100 - 8" 450 - FLOOR BASE (PACK OF 2 PCS.)	450	140	95	300
11105064	EXTREME 100 - 8" 600 - FLOOR BASE (PACK OF 2 PCS.)	600	140	95	500
11105066	EXTREME 100 - 8" 1000 - FLOOR BASE (PACK OF 2 PCS.)	1000	140	95	650
11105068	EXTREME 100 - 8" 1200 - FLOOR BASE (PACK OF 2 PCS.)	1200	140	95	750

EXTREME 70-8

 VULCANISED RUBBER
VIBRATION-RESISTANT
FLOOR BASE

 BASE AU SOL ANTI-
VIBRATIONS EN
CAOUTCHOUC VULCANISÉ

 VIBRATIONSBESTÄNDIGER
BODENSOCKEL AUS
VULKANISIERTEM GUMMI



EXTREME
70-8

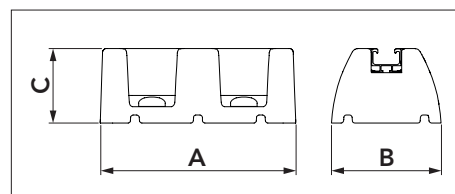


 MADE IN ITALY

PROFILE IN
ALUMINIUM
FIXING WITH BOLT
AND NUT M8



DOWNLOAD
DATASHEET



CODE	DESCRIPTION	DIMENSIONS			LOAD CAPACITY
		A [mm]	B [mm]	C [mm]	[kg]
SCD500071	EXTREME 70 - 8" 450 - FLOOR BASE (PACK OF 2 PCS.)	450	140	65	300
SCD500072	EXTREME 70 - 8" 600 - FLOOR BASE (PACK OF 2 PCS.)	600	140	65	500

EXTREME 100 - 20

 VULCANISED RUBBER
VIBRATION-RESISTANT
FLOOR BASE

 BASE AU SOL ANTI-
VIBRATIONS EN
CAOUTCHOUC VULCANISÉ

 VIBRATIONSBESTÄNDIGER
BODENSOCKEL AUS
VULKANISIERTEM GUMMI



EXTREME
100-20



EMBEDDED "U"
PROFILE
FOR STRONG
TIGHTNESS

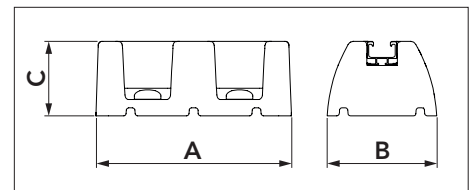


 
MADE IN ITALY

PROFILE IN
ALUMINIUM
FIXING WITH BOLT
AND NUT M8



DOWNLOAD
DATASHEET



CODE	DESCRIPTION	DIMENSIONS			LOAD CAPACITY
		A [mm]	B [mm]	C [mm]	[kg]
11105060V	EXTREME 100 - 20" 250 - FLOOR BASE (PACK OF 2 PCS.)	250	140	95	200
11105062V	EXTREME 100 - 20" 450 - FLOOR BASE (PACK OF 2 PCS.)	450	140	95	300
11105064V	EXTREME 100 - 20" 600 - FLOOR BASE (PACK OF 2 PCS.)	600	140	95	500
11105066V	EXTREME 100 - 20" 1000 - FLOOR BASE (PACK OF 2 PCS.)	1000	140	95	650
11105068V	EXTREME 100 - 20" 1200 - FLOOR BASE (PACK OF 2 PCS.)	1200	140	95	750

EXTREME 70 - 20

 ANTI-VIBRATION FLOOR
BASE IN VULCANIZED
SBR RUBBER

 BASE AU SOL ANTI-
VIBRATIONS EN
CAOUTCHOUC VULCANISÉ

 VIBRATIONSBESTÄNDIGER
BODENSOCKEL AUS
VULKANISIERTEM GUMMI



EXTREME
70-20



EMBEDDED "U"
PROFILE
FOR STRONG
TIGHTNESS

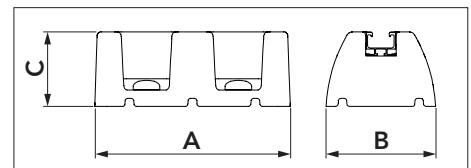


 
MADE IN ITALY

PROFILE IN
ALUMINIUM
FIXING WITH BOLT
AND NUT M8



DOWNLOAD
DATASHEET



CODE	DESCRIPTION	DIMENSIONS			LOAD CAPACITY
		A [mm]	B [mm]	C [mm]	[kg]
SCD500073	EXTREME 70 - 20" 450 - FLOOR BASE (PACK OF 2 PCS.)	450	140	65	300
SCD500074	EXTREME 70 - 20" 600 - FLOOR BASE (PACK OF 2 PCS.)	600	140	65	500

EXTREME 100-A

 VULCANISED RUBBER
VIBRATION-RESISTANT
FLOOR BASE

 BASE AU SOL ANTI-
VIBRATIONS EN CAOUTCHOUC
VULCANISÉ

 VIBRATIONSBESTÄNDIGER
BODENSOCKEL AUS
VULKANISIERTEM GUMMI



FIXING THE DIRECT
SCREW ON SUPPORT



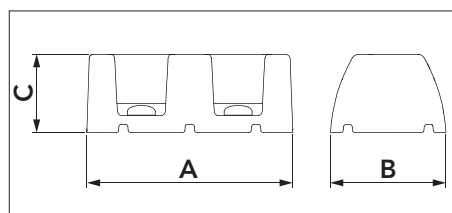
SUPPLIED WITH SELF-TAPPING SCREWS



 MADE IN ITALY



DOWNLOAD
DATASHEET



CODE	DESCRIPTION	DIMENSIONS			LOAD CAPACITY
		A [mm]	B [mm]	C [mm]	[kg]
11105059	EXTREME 100-A" 250 - FLOOR BASE (PACK OF 2 PCS.)	250	140	95	200
11105069	EXTREME 100-A" 450 - FLOOR BASE (PACK OF 2 PCS.)	450	140	95	300
11105070	EXTREME 100-A" 600 - FLOOR BASE (PACK OF 2 PCS.)	600	140	95	500
11105071	EXTREME 100-A" 1000 - FLOOR BASE (PACK OF 2 PCS.)	1000	140	95	650
11105072	EXTREME 100-A" 1200 - FLOOR BASE (PACK OF 2 PCS.)	1200	140	95	750

EXTREME 70-A

 ANTI-VIBRATION FLOOR
BASE IN VULCANIZED
SBR RUBBER

 BASE AU SOL ANTI-
VIBRATIONS EN
CAOUTCHOUC VULCANISÉ

 VIBRATIONSBESTÄNDIGER
BODENSOCKEL AUS
VULKANISIERTEM GUMMI



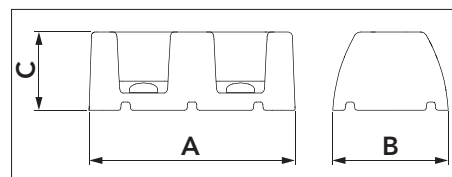
FIXING THE DIRECT
SCREW ON SUPPORT



 MADE IN ITALY



DOWNLOAD
DATASHEET



 SUPPLIED WITH SELF-TAPPING SCREWS

CODE	DESCRIPTION	DIMENSIONS			LOAD CAPACITY
		A [mm]	B [mm]	C [mm]	[kg]
SCD500075	EXTREME 70-A" 450 - FLOOR BASE (PACK OF 2 PCS.)	450	140	65	300
SCD500076	EXTREME 70-A" 600 - FLOOR BASE (PACK OF 2 PCS.)	600	140	65	500

EXTREME HEIGHT 100



RISER FOR VULCANISED RUBBER VIBRATION-RESISTANT FLOOR BASE



ÉLÉVATION POUR BASE ANTI-VIBRATION DE SOL EN CAOUTCHOUC VULCANISÉ SBR



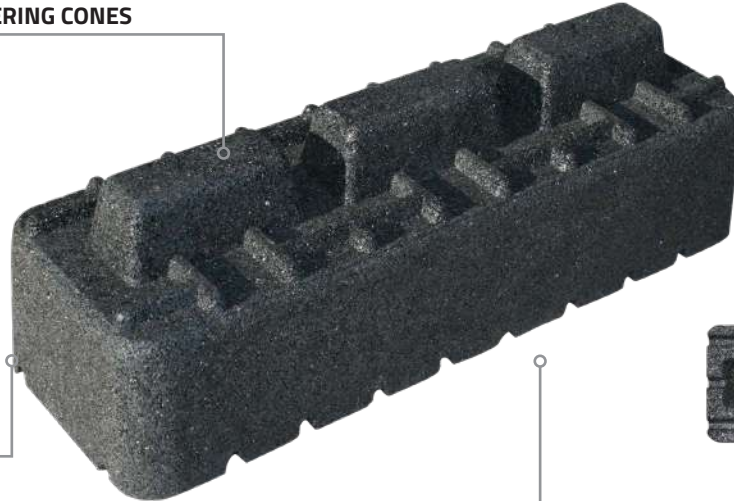
ERHÖHUNG FÜR ANTI-VIBRATION BODENBASIS AUS VULKANISIERTEM SBR GUMMI

EXTREME HEIGHT FLOOR BASE RISERS, PLACED UNDER THE EXTREME 8-20-A FLOOR BASES, HELP FURTHER RAISE THE OUTDOOR UNIT IN ORDER TO PROTECT IT IN CASE OF HEAVY SNOWFALL AND DOWNPOURS.

MADE IN ITALY



CENTERING CONES

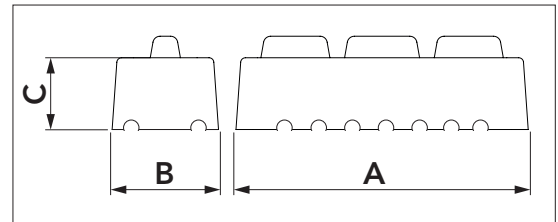


DOWNLOAD DATASHEET

MADE OF "SBR" VULCANIZED RUBBER



BASE IS ANTI-SLIP AND SLOTTED FOR WATER DRAINAGE



CODE	DESCRIPTION	FOR CODES:	DIMENSIONS			LOAD CAPACITY
			A [mm]	B [mm]	C [mm]	[kg]
11105061	RISER FOR VULCANISED RUBBER VIBRATION-RESISTANT FLOOR BASE 100 "EXTREME HEIGHT 250"	11105060	290	180	100	200
		11105060V				
		11105059				
11105067	RISER FOR VULCANISED RUBBER VIBRATION-RESISTANT FLOOR BASE 100 "EXTREME HEIGHT 1000"	11105066	1040	180	100	650
		11105066V				
		11105071				
SCD500077	RISER FOR VULCANISED RUBBER VIBRATION-RESISTANT FLOOR BASE 70-100 "EXTREME HEIGHT 450"	11105062	490	180	100	300
		11105062V				
		11105069				
		SCD500071				
		SCD500073				
		SCD500075				
SCD500078	RISER FOR VULCANISED RUBBER VIBRATION-RESISTANT FLOOR BASE 70-100 "EXTREME HEIGHT 600"	11105064	640	180	100	500
		11105064V				
		11105070				
		SCD500072				
		SCD500074				
		SCD500076				

SBR



INSULATION AND VIBRATION-DAMPING MAT PANEL IN VULCANISED RUBBER



TAPIS ISOLANT ET ANTI-VIBRATIONS EN CAOUTCHOUC VULCANISÉ



ISOLIER- UND ANTIVIBRATIONSMATTEN-PLATTE AUS VULKANISIERTEM GUMMI



DOWNLOAD DATASHEET



CODE	DESCRIPTION	DIMENSIONS	THICKNESS
		[mm]	[mm]
11105073	INSULATION AND VIBRATION-DAMPING MAT PANEL IN VULCANISED RUBBER SBR - QUADRO 500 X 500 X 20	500 x 500	20
SCC500001	INSULATION AND VIBRATION-DAMPING MAT PANEL IN VULCANISED RUBBER SBR - QUADRO 500 X 500 X 10	500 x 500	10
SCC500002	INSULATION AND VIBRATION-DAMPING MAT PANEL IN VULCANISED RUBBER SBR - QUADRO 330 x 330 x 20	330 x 330	20
SCC500003	INSULATION AND VIBRATION-DAMPING MAT PANEL IN VULCANISED RUBBER SBR - QUADRO 330 x 330 x 10	330 x 330	10



INSULATING MAT IN VULCANISED RUBBER, WITH EMBOSSED SQUARES

PRECUT 452X452X20



TAPIS ISOLANT AMORTISSANT AVEC PANNEAUX EN RELIEF EN CAOUTCHOUC VULCANISÉ

PRÉDÉCOUPÉ 452X452X20

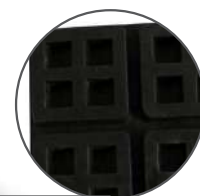
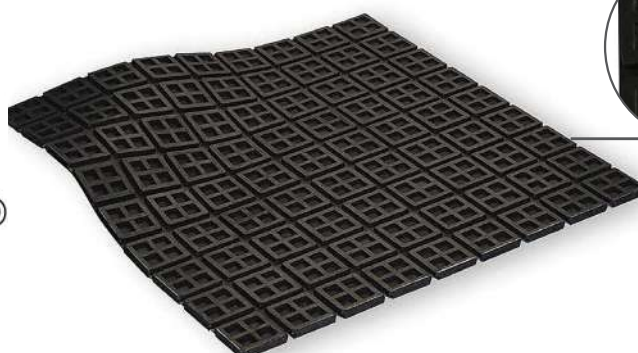
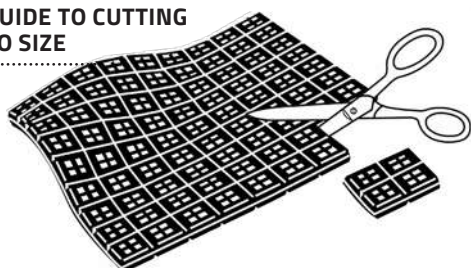


ISOLIERENDE DÄMPFUNGSMATTE MIT VULKANISIERTEN GUMMIPRÄGUNGEN

VORSCHNITT 452X452X20



GUIDE TO CUTTING TO SIZE



DOWNLOAD DATASHEET

CODE	DESCRIPTION	DIMENSIONS	THICKNESS
		[mm]	[mm]
SCC500013	PRECUT INSULATING MAT IN VULCANISED RUBBER	452 x 452	20



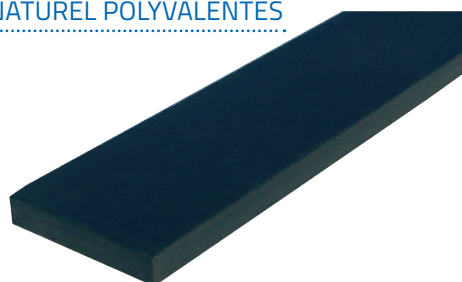
VULCANISED NATURAL VULCANISED RUBBER BAND MULTI-PURPOSE SET



ENSEMBLE DE BANDES ANTI-VIBRATIONS EN CAOUTCHOUC VULCANISÉ NATUREL POLYVALENTES



MEHRZWECK-BAUSATZ VULKANISIERTER NATURKAUTSCHUKBÄNDER



DOWNLOAD DATASHEET

CODE	DESCRIPTION	L [mm]	H [mm]	THICKNESS [mm]	LOAD CAPACITY MAX.
11100069	VULCANISED NATURAL VULCANISED RUBBER BAND MULTI-PURPOSE SET	610	50	9	400 kg/1PZ.



VULCANISED RUBBER AND CORK DUAL KNURLED MULTI-PURPOSE VIBRATION-DAMPING MAT



TAPIS ANTI-VIBRATIONS POLYVALENT À DOUBLE MOLETAGE EN CAOUTCHOUC VULCANISÉ ET LIÈGE



VULKANISIERTE KAUSCHUK- UND KORK-MEHRZWECK-SCHWINGUNGSSCHUTZMATTE MIT ZWEI RÄNDELUNGEN



150 x 150



70 x 70



100 x 100



DOWNLOAD DATASHEET

CODE	DESCRIPTION	DIMENSIONS	THICKNESS
		[mm]	[mm]
SCC500006	VULCANISED RUBBER AND CORK DUAL KNURLED MULTI-PURPOSE VIBRATION-DAMPING MAT "QUADRO TGZ 70X70 SP30" (PACK OF. 4 PCS.)	70x70	30
SCC500007	VULCANISED RUBBER AND CORK DUAL KNURLED MULTI-PURPOSE VIBRATION-DAMPING MAT "QUADRO TGZ 100X100 SP30" (PACK OF. 4 PCS.)	100x100	30
SCC500008	VULCANISED RUBBER AND CORK DUAL KNURLED MULTI-PURPOSE VIBRATION-DAMPING MAT "QUADRO TGZ 150X150 SP30" (PACK OF. 4 PCS.)	150x150	30



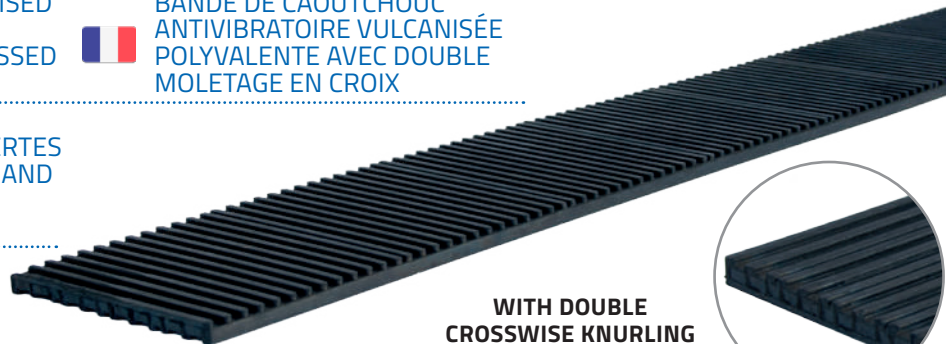
MULTI-PURPOSE VULCANISED ANTI-VIBRATION RUBBER BAND WITH DOUBLE CROSSED KNURLING



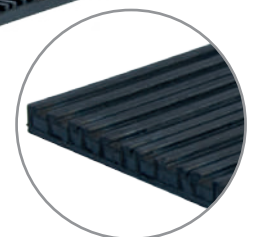
BANDE DE CAOUTCHOUC ANTIVIBRATOIRE VULCANISÉE POLYVALENTE AVEC DOUBLE MOLETAGE EN CROIX



MEHRZWECK VULKANISIERTES ANTIVIBRATIONSGUMMIBAND MIT DOPPELTER QUERRÄNDELUNG



WITH DOUBLE CROSSWISE KNURLING



DOWNLOAD DATASHEET

CODE	DESCRIPTION	DIMENSIONS	THICKNESS
		[mm]	[mm]
SCC500005	MULTI-PURPOSE VULCANISED ANTI-VIBRATION RUBBER BAND WITH DOUBLE CROSSED KNURLING - "FMGZ 1000X100 SP10"	1000 x 100	10

TEKNO



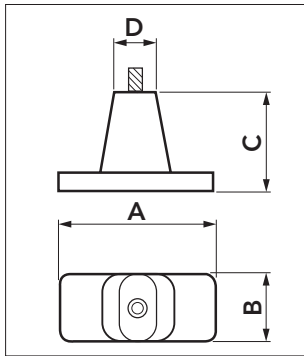
VULCANISED
NATURAL RUBBER
FLOOR SUPPORT



SUPPORT AU SOL
EN CAOUTCHOUC
NATUREL VULCANISÉ



BODENSTÄNDER AUS
VULKANISIERTEM
NATURKAUTSCHUK



TEKNO 100



TEKNO 200

RECOMMENDED FOR FLOOR
CONDENSING UNIT



DOWNLOAD
DATASHEET

CODE	DESCRIPTION	DIMENSIONS				LOAD CAPACITY MAX.
		A [mm]	B [mm]	C [mm]	D [mm]	kg / 1 PCS.
11105040	FLOOR SUPPORT TEKNO 100 (PACK OF 20 PCS.)	100	50	95	35	80
11105041	FLOOR SUPPORT TEKNO 200 (PACK OF 20 PCS.)	100	50	60	65	130

TEKNO



VULCANISED NATURAL
RUBBER FLOOR
SUPPORT



SUPPORT AU SOL EN
CAOUTCHOUC NATUREL
VULCANISÉ



BODENSTÄNDER AUS
VULKANISIERTEM
NATURKAUTSCHUK

TECHNICAL SPECIFICATIONS

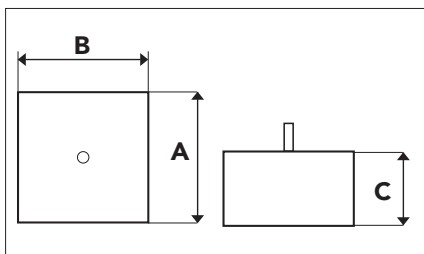
- MADE OF NATURAL VULCANISED ANTI-UVA RUBBER.
- COMPLETE WITH FIXING BOLTS, WASHER AND NUTS.

CARACTÉRISTIQUES TECHNIQUES

- FABRIQUÉS EN CAOUTCHOUC VULCANISÉ NATUREL.
- DOTÉS DE BOULONS DE FIXATION, RONDELLE ET ÉCROUS.

TECHNISCHE EIGENSCHAFTEN

- ALLE HALTERUNGEN SIND AUS NATÜRLICHEM VULKANISIERTEM ANTI-UVA-KAUTSCHUK.
- KOMPLETT MIT BEFESTIGUNGSSCHRAUBEN, UNTERLEGSCHIBE UND MUTTERN.



TEKNO 350



TEKNO 300



TEKNO 400



DOWNLOAD
DATASHEET

CODE	DESCRIPTION	A [mm]	B [mm]	C [mm]	LOAD CAPACITY MAX.	Ø SCREW
11105042	FLOOR SUPPORT TEKNO 300 (PACK OF 8 PCS.)	100	100	80	200 kg/1 PCS.	M8
11105080	FLOOR SUPPORT TEKNO 350 (PACK OF 8 PCS.)	100	100	50	300 kg/1 PCS.	M8
11105085	FLOOR SUPPORT TEKNO 400 (PACK OF 8 PCS.)	100	100	25	300 kg/1 PCS.	-



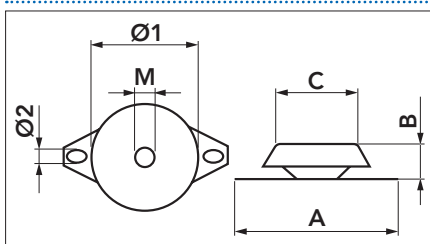
FLOOR VIBRATION-DAMPING
FOR OUTDOOR UNIT



AMORTISSEUR DE VIBRATIONS
AU SOL POUR UNITÉ EXTÉRIEURE



BODENSCHWINGUNGSDÄMP-
FER FÜR AUSSENEINHEIT



DOWNLOAD
DATASHEET

CODE SET	DESCRIPTION	A [mm]	B [mm]	C [mm]	M [mm]	Ø1	Ø2	LOAD CAPACITY MAX.
11100078	FLOOR VIBRATION-DAMPING T5 (PACK OF 4 PCS.)	106	30	40	M10	60	8	175 kg/1 PCS.



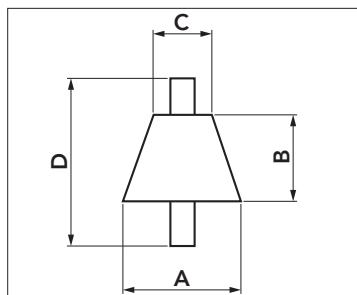
VIBRATION-DAMPING FOR OUTDOOR UNIT WALL BRACKET



AMORTISSEUR POUR SUPPORT AU MUR DE L'UNITÉ EXTÉRIEURE



SCHWINGUNGSDÄMPFER FÜR HALTERUNG DER AUSSEINEINHEIT



DOWNLOAD DATASHEET

CODE SET	DESCRIPTION	A [mm]	B [mm]	C [mm]	D [mm]	Ø	LOAD CAPACITY MAX.
11100072	VIBRATION-DAMPING S3 (PACK OF 4 PCS.)	40	26	30	65	M8	60 kg
11100073	VIBRATION-DAMPING S4 (PACK OF 4 PCS.)	50	35	40	74	M8	70 kg



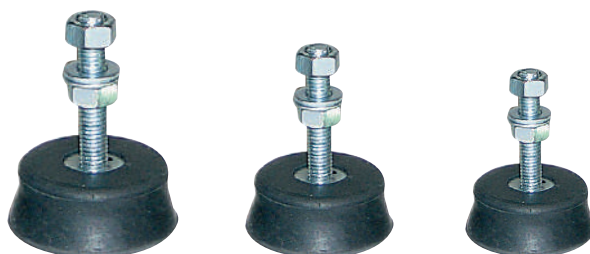
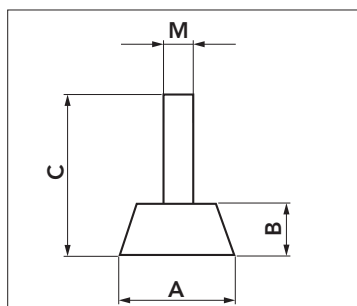
FLOOR VIBRATION-DAMPING FOR OUTDOOR UNIT



AMORTISSEUR DE VIBRATIONS AU SOL POUR UNITÉ EXTÉRIEURE



BODENSCHWINGUNGSDÄMPFER FÜR AUSSEINEINHEIT



DOWNLOAD DATASHEET

CODE SET	DESCRIPTION	DIMENSIONS				LOAD CAPACITY MAX.
		A [mm]	B [mm]	C [mm]	M	kg / 1 PC.
11100074	VIBRATION-DAMPING T1 (PACK OF 4 PCS.)	48	19	60	M8	45 kg
11100075	VIBRATION-DAMPING T2 (PACK OF 4 PCS.)	56	21	90	M10	150 kg
11100076	VIBRATION-DAMPING T3 (PACK OF 4 PCS.)	74	26	104	M12	350 kg



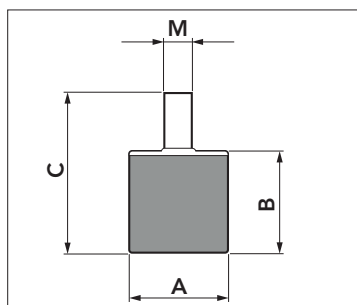
FLOOR VIBRATION-DAMPING FOR OUTDOOR UNIT WALL BRACKET



AMORTISSEUR DE VIBRATIONS AU SOL POUR SUPPORT AU MUR DE L'UNITÉ EXTÉRIEURE



BODENSCHWINGUNGSDÄMPFER FÜR HALTERUNG DER AUSSEINEINHEIT



DOWNLOAD DATASHEET

CODE SET	DESCRIPTION	A [mm]	B [mm]	C [mm]	M	LOAD CAPACITY MAX. (kg)
SCC500026	FLOOR VIBRATION-DAMPING FOR OUTDOOR UNIT WALL BRACKET - T40 (PACK OF 4 PCS.)	40	40	63	M8	80
SCC500027	FLOOR VIBRATION-DAMPING FOR OUTDOOR UNIT WALL BRACKET - T50 (PACK OF 4 PCS.)	50	50	80	M10	100
SCC500028	FLOOR VIBRATION-DAMPING FOR OUTDOOR UNIT WALL BRACKET - T60 (PACK OF 4 PCS.)	60	60	100	M10	120
SCC500029	FLOOR VIBRATION-DAMPING FOR OUTDOOR UNIT WALL BRACKET - T70 (PACK OF 4 PCS.)	70	70	110	M10	140



VIBRATION-DAMPING FOR OUTDOOR UNIT WALL BRACKET



ANTI-VIBRATION POUR SUPPORT D'UNITÉ EXTERIEURE



SCHWINGUNGSDÄMPFUNG FÜR HALTERUNG DER EXTERNEN EINHEIT

TECHNICAL SPECIFICATIONS

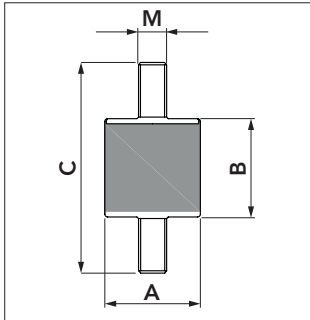
- MADE OF VULCANISED NATURAL ANTI-UVA
- AVAILABLE IN A MINIMUM PACK OF 4 PIECES COMPLETE WITH FIXING BOLTS, WASHER AND NUTS.

CARACTÉRISTIQUES TECHNIQUES

- FABRIQUÉS EN CAOUTCHOUC NATUREL
- DISPONIBLES EN PAQUETS DE 4 PIÈCES MINIMUM AVEC BOULONS DE FIXATION, RONDELLE ET ÉCROUS.

TECHNISCHE EIGENSCHAFTEN

- PRODUKTE BESTEHEN AUS VULKANISIERTEM NATÜRLICHEM ANTI-UVA-KAUTSCHUK.
- ERHÄLTICH IN EINEM MINDESTPAKET VON 4 STÜCK MIT BEFESTIGUNGSSCHRAUBEN, UNTERLEGSCHIBE UND MUTTERN.



DOWNLOAD DATASHEET

CODE SET	DESCRIPTION	LOAD CAPACITY MAX. kg / 1 PC.	DIMENSIONS [mm]			
			A	B	C	M
SCC500018	VIBRATION-DAMPING FOR OUTDOOR UNIT WALL BRACKET - S30 (PACK OF 4 PCS.)	70	30	20	60	M8
SCC500019	VIBRATION-DAMPING FOR OUTDOOR UNIT WALL BRACKET - S40 (PACK OF 4 PCS.)	120	40	30	70	M8
SCC500020	VIBRATION-DAMPING FOR OUTDOOR UNIT WALL BRACKET - S50 (PACK OF 4 PCS.)	140	50	40	95	M10
SCC500021	VIBRATION-DAMPING FOR OUTDOOR UNIT WALL BRACKET - S60 (PACK OF 4 PCS.)	160	60	50	125	M10
SCC500022	VIBRATION-DAMPING FOR OUTDOOR UNIT WALL BRACKET - S70 (PACK OF 4 PCS.)	180	70	60	135	M10
SCC500023	VIBRATION-DAMPING FOR OUTDOOR UNIT WALL BRACKET - S80 (PACK OF 4 PCS.)	220	80	60	155	M12
SCC500024	VIBRATION-DAMPING FOR OUTDOOR UNIT WALL BRACKET - S100 (PACK OF 4 PCS.)	220	100	80	175	M16
SCC500025	VIBRATION-DAMPING FOR OUTDOOR UNIT WALL BRACKET - S125 (PACK OF 4 PCS.)	240	125	80	195	M18



VIBRATION-DAMPING FOR OUTDOOR UNIT WALL BRACKET



AMORTISSEUR POUR SUPPORT AU MUR DE L'UNITÉ EXTERIEURE



SCHWINGUNGSDÄMPFER FÜR HALTERUNG DER AUSSENEINHEIT

TECHNICAL SPECIFICATIONS

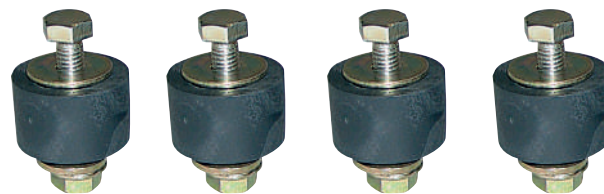
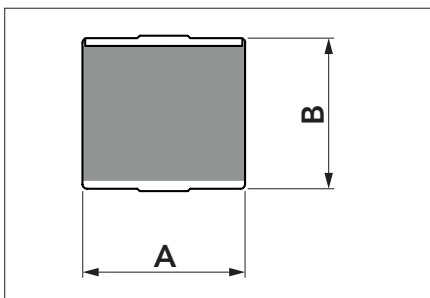
- MADE OF SOFT, UVA-RESISTANT PVC
- AVAILABLE IN A MINIMUM PACK OF 4 PIECES
- INCLUDES FASTENING SCREW, M8 X 50, WASHER AND NUTS

CARACTÉRISTIQUES TECHNIQUES

- FABRIQUÉ EN PVC DOUX RÉSISTANT AUX UVA
- DISPONIBLE EN UN EMBALLAGE MINIMUM DE 4 PIÈCES
- LIVRÉ AVEC VIS DE FIXATION, M8 X 50, RONDELLE ET ÉCROUS

TECHNISCHE EIGENSCHAFTEN

- AUS WEICHEM, UVA-GESCHÜTZTEM PVC
- ERHÄLTICH IN EINER PACKUNG MIT MINDESTENS 4 STÜCK
- KOMPLETT MIT BEFESTIGUNGSSCHRAUBE, M8 X 50, UNTERLEGSCHIBE UND MUTTERN



DOWNLOAD DATASHEET

DIMENSIONS [mm]			CODE SET	DESCRIPTION	LOAD CAPACITY MAX.
CODE	A	B			kg / 1 PC.
11100067	33	20	11100067	VIBRATION-DAMPING S1	40



SPRING-LOADED VIBRATION-DAMPING FOR SUSPENDED SYSTEMS



AMORTISSEUR DE VIBRATIONS À RESSORT POUR SYSTEMES SUSPENDUS



FEDERBELASTETE SCHWINGUNGSDÄMPFER FÜR AUFGEHÄNGTE SYSTEME

TECHNICAL SPECIFICATIONS

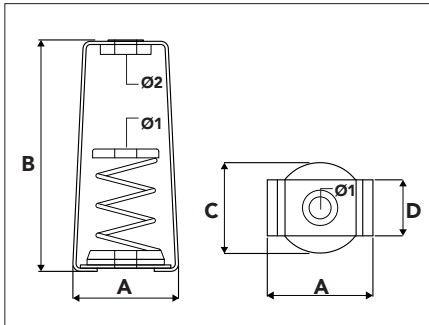
- STEEL COMPRESSION SPRING MOUNTED ON RUBBER WASHER WITH ANTI-VIBRATION DAMPER ON TOP
- REDUCES ACOUSTIC BRIDGING IN CEILING-MOUNTED MACHINE INSTALLATIONS
- SUITABLE FOR MOUNTING DUCTED UNITS, HEAT RECOVERY SYSTEM AND CIRCULAR AIR DUCTS
- PACK IN A SET OF 4 PCS.

CARACTÉRISTIQUES TECHNIQUES

- RESSORT DE COMPRESSION EN ACIER MONTÉ SUR UNE RONDELLE EN CAOUTCHOUC AVEC ANTI-VIBRATION SUR LE DESSUS
- RÉDUIT LA FORMATION DE PONTS ACOUSTIQUES DANS LES INSTALLATIONS DE MACHINES DE PLAFOND
- CONVIENT POUR LE MONTAGE D'UNITÉS À CONDUITS, D'UNITÉS DE RÉCUPÉRATION DE CHALEUR ET DE CONDUITS CIRCULAIRES
- EMBALLAGE EN JEU DE 4 PIÈCES.

TECHNISCHE EIGENSCHAFTEN

- STAHLDRUCKFEDER AUF GUMMISCHEIBE MIT SCHWINGUNGSDÄMPFER AUF DER OBERSEITE MONTIERT
- VERRINGERT SCHALLBRÜCKEN IN AN DER DECKE MONTIERTEN MASCHINENANLAGEN
- GEEIGNET FÜR DIE MONTAGE VON KANALEINHEITEN, WÄRMERÜCKGEWINNUNGSEINHEITEN UND KREISFÖRMIGEN KANÄLEN
- PACKUNG IOM SET MIT 4 STÜCK.



SCC500035
25 KG



SCC500033
50 KG



SCC500034
75 KG



DOWNLOAD DATASHEET

CODE SET	DESCRIPTION	A [mm]	B [mm]	C [mm]	D [mm]	Ø1 [mm]	Ø2 [mm]	LOAD CAPACITY MAX [kg]
SCC500035	SPRING-LOADED VIBRATION-DAMPING FOR SUSPENDED SYSTEMS (25 KG) (PACK OF 4 PCS)	80	120	60	50	M8	12	25
SCC500033	SPRING-LOADED VIBRATION-DAMPING FOR SUSPENDED SYSTEMS (50 KG) (PACK OF 4 PCS)	80	120	60	50	M8	12	50
SCC500034	SPRING-LOADED VIBRATION-DAMPING FOR SUSPENDED SYSTEMS (75 KG) (PACK OF 4 PCS)	80	120	60	50	M8	12	70



SPRING-LOADED VIBRATION-DAMPING FOR OUTDOOR UNIT WALL BRACKET



AMORTISSEUR DE VIBRATIONS À RESSORT POUR SUPPORT AU MUR DE L'UNITÉ EXTERIEURE



BODENSCHWINGUNGSDÄMPFUNG FÜR HALTERUNG DER EXTERNEN EINHEIT

TECHNICAL SPECIFICATIONS

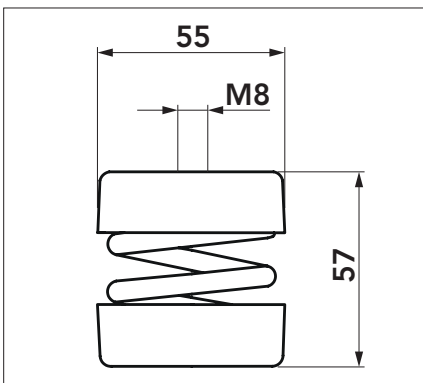
- MADE OF GALVANISED STEEL
- FIXING SCREW NOT THROUGH
- PACK CONTAINS 2 SOFT AND 2 HARD VIBRATION DAMPERS INCLUDING FASTENING BOLTS, WASHER AND NUTS

CARACTÉRISTIQUES TECHNIQUES

- FABRIQUÉ EN ACIER GALVANISÉ
- VIS DE FIXATION NON TRAVERSANTE
- L'EMBALLAGE CONTIENT 2 AMORTISSEURS DE VIBRATIONS SOUPLES ET 2 AMORTISSEURS DE VIBRATIONS DURS AVEC BOULONS DE FIXATION, RONDELLE ET ÉCROUS

TECHNISCHE EIGENSCHAFTEN

- AUS VERZINKTEM STAHL
- BEFESTIGUNGSSCHRAUBE NICHT DURCHGEHEND
- DIE PACKUNG ENTHÄLT 2 WEICHE UND 2 HARTE SCHWINGUNGSDÄMPFER, KOMPLETT MIT BEFESTIGUNGSSCHRAUBEN, UNTERLEGSCHIEBEN UND MUTTERN



HARD



SOFT



DOWNLOAD DATASHEET

CODE SET	DESCRIPTION	LOAD CAPACITY SOFT	LOAD CAPACITY HARD
11000070	SPRING-LOADED VIBRATION-DAMPING Ø55 X H 57	23 kg / 1 PC.	35 kg / 1 PC.



SPRING-LOADED
VIBRATION-DAMPING FOR
OUTDOOR UNIT WALL
BRACKET WITH RUBBER CAP



AMORTISSEUR DE VIBRATIONS À
RESSORT POUR SUPPORT AU MUR
DE L'UNITÉ EXTERIEURE AVEC
CAPUCHON EN CAOUTCHOUC



FEDERBELASTETE
SCHWINGUNGSDÄMPFER
FÜR EINE HALTERUNG EINER
AUSSENEINHEIT MIT GUMMIKAPPE

TECHNICAL SPECIFICATIONS

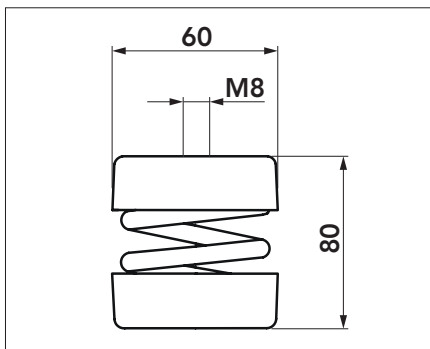
- SPRING MADE OF STEEL
- VULCANISED NATURAL RUBBER HOOD
- THROUGH FIXING SCREW
- THE PACK CONTAINS 4 PCS.
INCLUDING FIXING BOLTS, WASHER
AND NUTS

CARACTÉRISTIQUES TECHNIQUES

- RESSORT EN ACIER
- CAPUCHE EN CAOUTCHOUC NATUREL
VULCANISÉ
- VIS DE FIXATION TRAVERSANTE
- LE KIT CONTIENT 4 PIÈCES AVEC
BOULONS DE FIXATION, RONDELLE ET
ÉCROUS

TECHNISCHE EIGENSCHAFTEN

- FEDER AUS STAHL
- HAUBE AUS VULKANISIERTEM
NATURKAUTSCHUK
- DURCHGEHENDE BEFESTIGUNGSSCHRAUBE
- DIE VERPACKUNG ENTHÄLT 4 STÜCK
KOMPLETT MIT BEFESTIGUNGSSCHRAUBEN,
UNTERLEGSCHIEBE UND MUTTERN



DOWNLOAD
DATASHEET

CODE SET	DESCRIPTION	LOAD CAPACITY
SCC500012	SPRING-LOADED VIBRATION-DAMPING FOR OUTDOOR UNIT Ø60 X H 80 (PACK OF 4 PCS.)	25 kg / 1 PC.



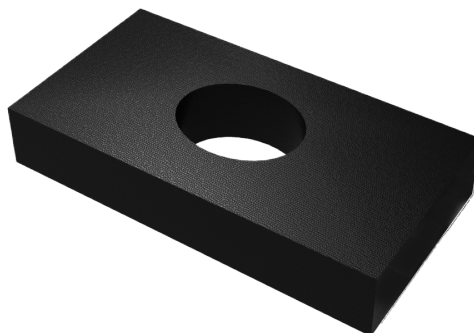
VIBRATION-DAMPING IN
NATURAL VULCANISED
RUBBER



AMORTISSEUR DE VIBRATIONS
EN CAOUTCHOUC NATUREL
VULCANISÉ



SCHWINGUNGSDÄMPFER
AUS VULKANISIERTEM
NATURKAUTSCHUK



DOWNLOAD
DATASHEET

CODE	DESCRIPTION	L [mm]	H [mm]	P [mm]	LOAD CAPACITY MAX.
11105090	VIBRATION-DAMPING IN NATURAL VULCANISED RUBBER (PACK OF 4 PCS.)	68	7	50	50 kg / 1 PC.



SLIDING VIBRATION-DAMPING IN NATURAL VULCANISED RUBBER FOR "C" PROFILES



AMORTISSEUR DE VIBRATIONS EN CAOUTCHOUC NATUREL VULCANISÉ POUR PROFILÉS EN "C"



VULKANISIERTE ANTI-VIBRATIONS-GLEITKAUTSCHUK FÜR "C"-PROFILE

TECHNICAL SPECIFICATIONS

- MADE OF VULCANISED NATURAL RUBBER
- FOR "C" PROFILES
- M8 BOLT, NUT AND WASHER SUPPLIED
- DIMENSIONS: L 70 X H 40 X D 40
- PACK IN A SET OF 4 PCS.

CARACTÉRISTIQUES TECHNIQUES

- FABRIQUÉ EN CAOUTCHOUC NATUREL VULCANISÉ
- ENFICHABLE DANS LES PROFILÉS EN "C"
- BOULON M8, ÉCROU ET RONDELLE FOURNIS
- DIMENSIONS : L 70 X H 40 X P 40
- EMBALLAGE EN JEU DE 4 PIÈCES.

TECHNISCHE EIGENSCHAFTEN

- AUS VULKANISIERTEM NATURKAUTSCHUK
- EINSETZBAR IN "C" -PROFILE
- M8 SCHRAUBE, MUTTER UND UNTERLEGSCHIEBE IM LIEFERUMFANG ENTHALTEN
- ABMESSUNGEN: L 70 X H 40 X T 40
- PACKUNG IOM SET MIT 4 STÜCK.



DOWNLOAD DATASHEET

CODE SET	DESCRIPTION
SCC500011	SLIDING VIBRATION-DAMPING IN NATURAL VULCANISED RUBBER FOR "C" PROFILES (PACK OF 4 PCS.)



WRENCH FOR FIXING OUTDOOR UNITS



CLÉ POUR FIXER DES UNITÉS EXTERNES



SCHLÜSSEL ZUR BEFESTIGUNG DER AUSSENGERÄTE

TECHNICAL SPECIFICATIONS

- SOCKET SPANNER FOR 14 mm HEX HEAD SCREWS
- INSTRUMENT LENGTH 70 cm
- EQUIPPED WITH 2 PRACTICAL HANDLES, ONE FOR SEALING AND ONE FOR SCREWING
- MAX. SPANNER OPENING 18 cm

CARACTÉRISTIQUES TECHNIQUES

- CLÉ À DOUILLE POUR VIS À TÊTE HEXAGONALE DE 14 mm
- LONGUEUR DE L'INSTRUMENT 70 cm
- ÉQUIPÉ DE 2 POIGNÉES PRATIQUES, UNE POUR L'ÉTANCHÉITÉ ET UNE POUR LE VISSAGE
- OUVERTURE DE LA CLÉ MAX. 18 cm

TECHNISCHE EIGENSCHAFTEN

- STECKSCHLÜSSEL FÜR 14 mm SECHSKANTSCHRAUBEN
- INSTRUMENTENLÄNGE 70 cm
- MIT 2 PRAKTISCHEN GRIFFEN, EINER ZUM VERSCHLIESSEN UND EINER ZUM VERSCHRAUBEN
- MAX. SCHLÜSSELÖFFNUNG 18 cm



DOWNLOAD DATASHEET

CODE	DESCRIPTION
SCC600021	WRENCH FOR FIXING OUTDOOR UNITS

GIRAFFA 300 / 400



ELECTRIC TELESCOPIC LIFTER



ÉLÉVATEUR ÉLECTRIQUE TÉLESCOPIQUE



ELEKTRISCHES TELESKOPISCHES HUBGERÄT

TECHNICAL SPECIFICATIONS

- ALUMINIUM FRAME
- HEIGHT FROM 3,400 mm TO 4,900 mm
- MAX LOAD CAPACITY FROM 120 kg TO 90 kg
- FLOOR ADJUSTMENT
- WITH TELESCOPIC TRIPOD
- LEVELLED USING BUILT-IN SPIRIT LEVEL
- ELECTRONIC PUSH-BUTTON CONTROL

CARACTÉRISTIQUES TECHNIQUES

- CADRE EN ALUMINIUM
- HAUTEUR DE 3,400 mm À 4,900 mm
- CAPACITÉ DE CHARGE MAXIMALE DE 120 kg À 90 kg
- RÉGLAGE AU PLANCHER
- AVEC TRÉPIED TÉLESCOPIQUE
- NIVELLEMENT AU MOYEN D'UN NIVEAU INTÉGRÉ
- COMMANDE ÉLECTRONIQUE PAR BOUTON-POUSSOIR

TECHNISCHE EIGENSCHAFTEN

- ALUMINIUMSTRUKTUR
- HÖHE VON 3400 mm BIS 4900 mm
- MAX. TRAGFÄHIGKEIT VON 120 kg BIS 90 kg
- BODENVERSTELLUNG
- MIT TELESKOPSTATIV
- NIVELLIERUNG MIT EINGEBAUTER WASSERWAAGE
- ELEKTRONISCHE DRUCKTASTENSTEUERUNG

HEIGHT FROM 3,400 mm TO 4,900 mm

HAUTEUR DE 3,400 mm À 4,900 mm

HÖHE VON 3400 mm BIS 4900 mm

✓ IDEAL FOR THE INSTALLATION OF OUTDOOR AND INDOOR UNITS, HEAT RECOVERY UNITS, WALL BOILERS, ROUND DUCTS AND METAL DUCTS.

MODEL	GIRAFFA 300	GIRAFFA 400
MAX CAPACITY BETWEEN HEIGHT AND LOAD CAPACITY	3 m - 130 kg 3.30 m - 120 kg	3 m - 140 kg 4 m - 130 kg 4,9 m - 90 kg
MODEL	GIRAFFA 300	GIRAFFA 400
SINGLE-PHASE	230 V	230 V
AMPERAGE	4 A	4 A
WEIGHT OF THE POLE	21 kg	38 kg
WEIGHT OF PLATFORM	5,3 kg	5,3 kg
HEIGHT BENDED	950 mm	1190 mm
TOTAL HEIGHT	3400 mm	4900 mm
CLOSED STAND	300 x 300 mm	380 x 380 mm
EXTENDED STAND	1110 x 1110 mm	1500 x 1400 mm
MAXIMUM LOAD	120 kg	90 kg
CONTROL CABLE JOYSTICK	3,3 m	3,3 m
POWER CABLE	2,7 m	2,7 m
WEIGHT	29,8 kg	38 kg

CODE	DESCRIPTION
11100203	"GIRAFFA 300" ELECTRIC TELESCOPIC LIFTER
11100220	"GIRAFFA 400" ELECTRIC TELESCOPIC LIFTER



DOWNLOAD DATASHEET



WHEELS KIT FOR ELECTRIC TELESCOPIC LIFT



KIT DE ROUES POUR ÉLÉVATEUR ÉLECTRIQUE TÉLESCOPIQUE



RÄDERSATZ FÜR ELEKTRISCHEN TELESKOPHEBER

THIS KIT IS COMPOSED OF 5 WHEELS

CODE	DESCRIPTION
11100204	WHEELS KIT FOR ELECTRIC TELESCOPIC LIFTER



DOWNLOAD DATASHEET



GIRAFFA 200



TELESCOPIC MANUAL LIFTER



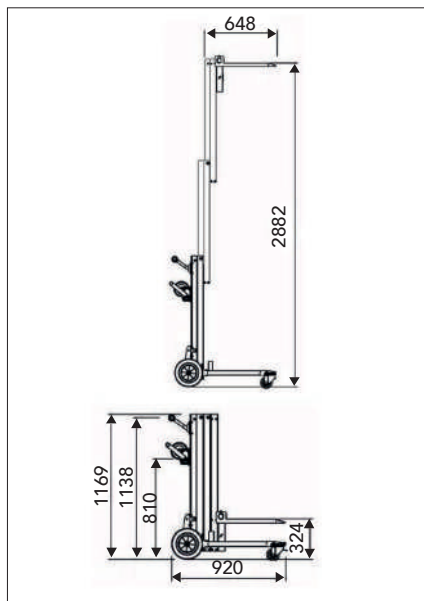
ÉLÉVATEUR MANUEL TÉLESCOPIQUE



TELESKOP-HANDHUBGERÄT

TECHNICAL SPECIFICATIONS

- MADE OF ALUMINIUM
- MAX LOAD CAPACITY 180 kg
- FOLDED HOIST DIMENSIONS 1169 X 778 X 471 mm
- MAXIMUM LIFTING HEIGHT 2.88 m
- REMOVABLE FEET FOR EASY TRANSPORT OF HOIST
- INCLUDES SWIVEL CASTORS Ø 76 mm WITH BRAKE



CARACTÉRISTIQUES TECHNIQUES

- FABRIQUÉ EN ALUMINIUM
- CAPACITÉ DE CHARGE MAXIMALE 180 kg
- DIMENSIONS DE L'ÉLÉVATEUR REPLIÉ 1169 X 778 X 471 mm
- HAUTEUR DE LEVAGE MAXIMALE 2,88 m
- PIEDS AMOVIBLES POUR FACILITER LE TRANSPORT DE L'ÉLÉVATEUR
- LIVRÉ AVEC ROULETTES PIVOTANTES Ø 76 mm ÉQUIPÉES DE FREIN

TECHNISCHE EIGENSCHAFTEN

- AUS ALUMINIUM
- MAX. TRAGFÄHIGKEIT 180 kg
- ABMESSUNGEN DER GEFALTETEN HEBEVORRICHTUNG 1169 X 778 X 471 mm
- MAXIMALE HUBHÖHE 2,88 m
- ABNEHMBARE FÜSSE FÜR EINFACHEN TRANSPORT DER HEBEVORRICHTUNG
- KOMPLETT MIT LENKRÄDERN Ø 76 mm MIT BREMSE



IDEAL FOR THE INSTALLATION OF OUTDOOR AND INDOOR UNITS, HEAT RECOVERY UNITS, WALL BOILERS, ROUND DUCTS AND METAL DUCTS.



ADJUSTABLE FORKS SUPPLIED



DOWNLOAD DATASHEET



TECHNICAL DATA	
MAX LOAD CAPACITY	180 kg
FOLDED HOIST DIMENSIONS	1169 x 778 x 471 mm
MAXIMUM LIFTING HEIGHT	2,88 m

CODE	DESCRIPTION
11100210	"GIRAFFA 200" TELESCOPIC MANUAL LIFTER



ABS PLASTIC SPLIT MOUNTING BRACKET



SUPPORT AU MUR POUR MONTAGE SPLIT EN PLASTIQUE ABS



HALTERUNG ZUR MONTAGE VON KUNSTSTOFF-SPLIT ABS

TECHNICAL SPECIFICATIONS

- ABS PLASTIC YELLOW
- EQUIPPED WITH SPLIT PROTECTION CAPS
- EQUIPPED WITH SUPPORT CASE
- CAN BE USED ON ALL SPLITS ON THE MARKET
- DIMENSIONS 72 X 16 cm
- WEIGHT 3 kg

CARACTÉRISTIQUES TECHNIQUES

- PLASTIQUE ABS JAUNE
- ÉQUIPÉ DE CAPUCHONS DE PROTECTION FENDUS
- ÉQUIPÉ D'UN ÉTUI POUR LE SOUTIEN
- PEUT ÊTRE UTILISÉ SUR TOUS LES SPLITS DU COMMERCE
- 72 cm X 16 cm
- POIDS 3 kg

TECHNISCHE EIGENSCHAFTEN

- GELBER ABS-KUNSTSTOFF
- MIT SPLIT-SCHUTZHAUBEN
- MIT GEHÖUSE FÜR HALTERUNG
- KANN FÜR ALLE KOMMERZIELLEN SPLITS VERWENDET WERDEN
- ABMESSUNGEN 72 cm X 16 cm
- GEWICHT 3 kg

MAX LOAD CAPACITY 50 kg

CAPACITÉ DE CHARGE MAXIMALE 50 kg

MAX. TRAGFÄHIGKEIT 50 kg



RAPID ATTACHMENT TO THE TEMPLATE



DOES NOT DAMAGE WALLS



CAN BE USED ON ALL SPLITS ON THE MARKET

YOU CAN NOW INSTALL THE SPLIT YOURSELF!



DOWNLOAD DATASHEET

CODE	DESCRIPTION
SCC600009	ABS PLASTIC SPLIT MOUNTING BRACKET

TSPAT

 ROOF PASSAGE

 PASSAGE DE TOIT

 DACHDURCHGANG

TECHNICAL SPECIFICATIONS

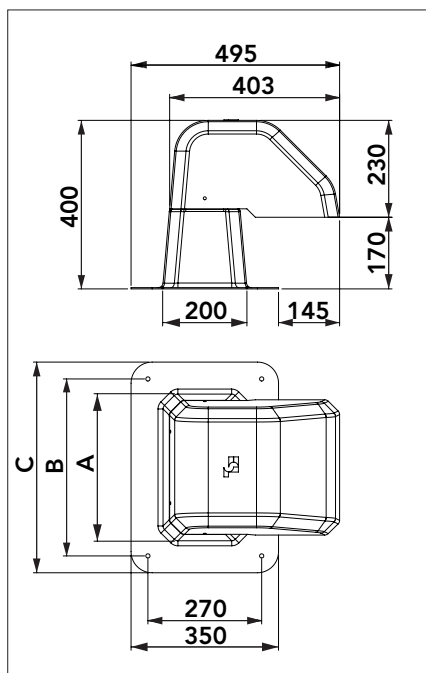
- MADE OF IVORY ABS+PMMA PLASTIC
- EQUIPPED WITH INTERNAL WALL BRACKET THAT GUARANTEES CORRECT PIPE CURVATURE
- HIGH THERMAL STABILITY
- RESISTANT TO WEATHERING AND AGEING

CARACTÉRISTIQUES TECHNIQUES

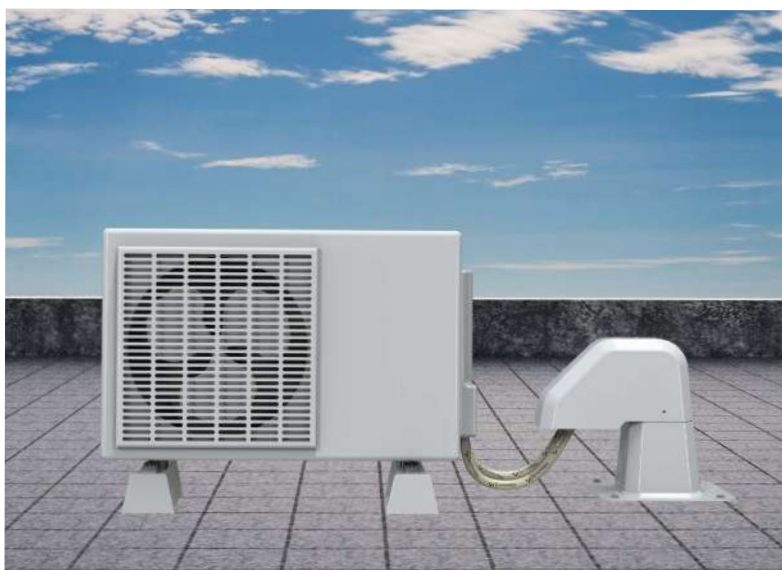
- FABRIQUÉ EN ABS IVOIRE + PLASTIQUE PMMA
- ÉQUIPÉ D'UN SUPPORT INTERNE QUI GARANTIT UNE COURBURE CORRECTE DES TUYAUX
- HAUTE STABILITÉ THERMIQUE
- RÉSISTANT AUX INTEMPÉRIES ET AU VIEILLISSEMENT

TECHNISCHE EIGENSCHAFTEN

- AUS ELFENBEINFARBENEM ABS+PMMA-KUNSTSTOFF
- MIT EINER INTERNEN WANDKONSOLE, DIE EINE KORREKTE KRÜMMUNG DER ROHRE
- HOHE THERMISCHE STABILITÄT
- WETTERFEST UND ALTERUNGSBESTÄNDIG



DOWNLOAD DATASHEET



WITH INTERNAL WALL BRACKET THAT GUARANTEES CORRECT PIPE CURVATURE



CODE	DESCRIPTION	A [mm]	B [mm]	C [mm]
SCD100134	"TSPAT" ROOF PASSAGE 200x200x430	200	270	350
SCD100135	"TSPAT" ROOF PASSAGE 350x200x430	350	420	500

SCUDO

 PVC PLASTIC OUTDOOR UNIT COVER CABINET

 ARMOIRE COUVRE
UNITÉ EXTÉRIEURE
EN PLASTIQUE PVC

 AUSSENGERÄTEABDECKUNG
AUS PVC-KUNSTSTOFF

TECHNICAL SPECIFICATIONS

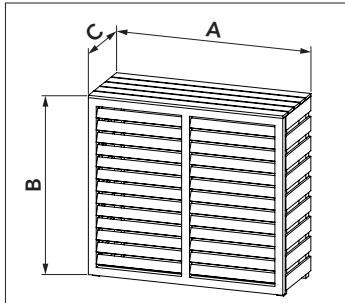
- PVC PLASTIC WITH WOOD EF
- AVAILABLE IN 2 SIZES FECT

CARACTÉRISTIQUES TECHNIQUES

- PLASTIQUE PVC AVEC EFFET BOIS
- DISPONIBLE EN 2 TAILLES

TECHNISCHE EIGENSCHAFTEN

- PVC-KUNSTSTOFF MIT HOLZ-EFFEKT
- ERHÄLTICH IN 2 GRÖSSEN



CODE	EXTERNAL DIMENSIONS [mm]			INTERNAL DIMENSIONS [mm]		
	A	B	C	A	B	C
SCC600001	885	691	345	785	680	295
SCC600002	990	911	395	895	900	345

FOR OUTDOOR UNITS

CODE	DESCRIPTION
SCC600001	"SCUDO SMALL" PVC PLASTIC OUTDOOR UNIT COVER CABINET
SCC600002	"SCUDO BIG" PVC PLASTIC OUTDOOR UNIT COVER CABINET



DOWNLOAD DATASHEET

 COVER FOR CONDENSING UNIT

 BÂCHE POUR COUVERTURE
MOTO CONDENSATEUR

 ABDECKUNG FÜR
MOTORKONDENSATOR

FOR OUTDOOR UNITS

AVAILABLE IN 7 SIZES

HOLES FOR VENTILATION ON REAR SIDE



REAR VIEW WITH HOLES FOR VENTILATION TO STOP CONDENSATION BUILDING UP



FRONT VIEW

CODE	DESCRIPTION	L [mm]	H [mm]	P [mm]
12000005	COVER FOR CONDENSING UNIT - MODEL A	770	530	260
12000006	COVER FOR CONDENSING UNIT - MODEL B	870	530	280
12000007	COVER FOR CONDENSING UNIT - MODEL C	880	530	330
12000008	COVER FOR CONDENSING UNIT - MODEL D	880	620	400
12000009	COVER FOR CONDENSING UNIT - MODEL E	950	890	370
SCD600006	COVER FOR CONDENSING UNIT - MODEL F	1000	800	400
SCD600007	COVER FOR CONDENSING UNIT - MODEL G	1100	1100	400



DOWNLOAD DATASHEET

*Complete range of aesthetic
protective cages
for outdoor unit*

SMART CLIMA



GUSCIO



ANTI-INTRUSION CAGE FOR OUTDOOR UNIT WITH SQUARE MESH FLAT ROOF AND SIDE DOOR



CAGE ANTI-INTRUSION POUR UNITÉ EXTÉRIEURE AVEC TOIT PLAT À MAILLE CARREE ET PORTE LATÉRALE



EINBRUCHSCHUTZKÄFIG FÜR AUSSENGERÄT MIT FLACHDACH AUS QUADRATISCHEM GITTER UND SEITLICHER TUR

TECHNICAL SPECIFICATIONS

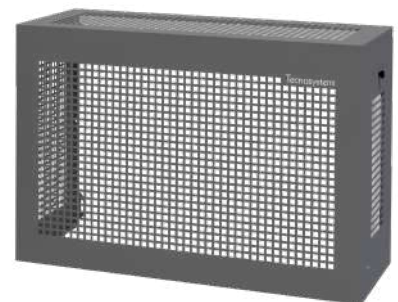
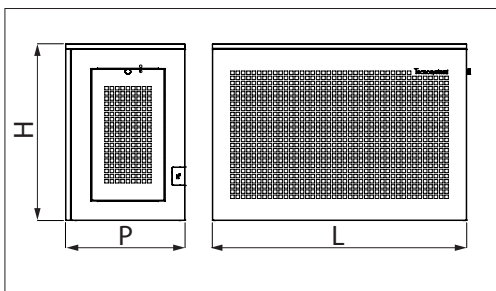
- GALVANISED SHEET MADE WITH ANTI-INTRUSION WEAVE
- EXTERNAL POLYESTER PAINTING RAL 9002
- GALVANISED SHEET METAL ROOF WITH ANTI-INTRUSION WEFT
- READY FOR TRANSIT OF DUCT, TUBING AND WIRING
- SIDE HATCH FOR INSPECTION AND MAINTENANCE WITH PADLOCK
- READY FOR WALL MOUNTING
- HEIGHT-ADJUSTABLE
- EASY TO ASSEMBLE
- MATT RAL 7016 GREY VERSION, AVAILABLE ON REQUEST

CARACTÉRISTIQUES TECHNIQUES

- TÔLE GALVANISÉE FABRIQUÉE AVEC UNE TRAME ANTI-INTRUSION
- PEINTURE POLYESTER D'EXTÉRIEUR RAL 9002
- TOIT EN TÔLE GALVANISÉE AVEC TRAME ANTI-INTRUSION
- PRÉDISPOSITION POUR LE PASSAGE DU CONDUIT DE TUYAUTERIE ET DU CÂBLAGE
- PORTE LATÉRALE POUR L'INSPECTION ET L'ENTRETIEN PRÉPARÉE POUR LE CADENAS
- PRÉDISPOSITION POUR MONTAGE MURAL
- RÉGLABLE EN HAUTEUR
- FACILE À ASSEMBLER
- VERSION GRIS MAT RAL 7016, DISPONIBLE SUR DEMANDE

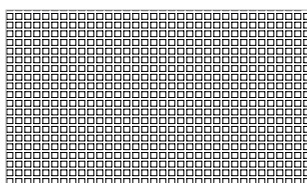
TECHNISCHE EIGENSCHAFTEN

- VERZINKTES BLECH MIT EINDRINGSICHERER BINDUNG
- POLYESTERBESCHICHTUNG FÜR DEN AUSSENBEREICH RAL 9002
- VERZINKTES BLECHDACH MIT EINBRUCHSCHUTZGEWEBE
- VORBEREITET FÜR DEN DURCHGANG VON ROHRLEITUNGSKANAL UND VERKABELUNGEN
- SEITENTÜR FÜR INSPEKTION UND WARTUNG VORBEREITET FÜR VORHÄNGESCHLOSS
- VORBEREITET FÜR WANDMONTAGE
- HÖHENVERSTELLBAR
- EINFACHE MONTAGE
- VERSION GRAU RAL 7016 MATT, AUF ANFRAGE ERHÄLTICH



RAL 7016 MATT GRAY VERSION AVAILABLE ON REQUEST

MADE IN ITALY



BACK AND BOTTOM FREE

CODE	DESCRIPTION	COLOUR	L [mm]	H [mm]	P [mm]
SCD500114	"GUSCIO H720" ROOF WITH WEFT	IVORY RAL 9002	1000	720	470
SCD500115	GUSCIO H1120" ROOF WITH WEFT	IVORY RAL 9002	1100	1120	620
SCD500116	"GUSCIO H1420" ROOF WITH WEFT	IVORY RAL 9002	1100	1420	620



DOWNLOAD DATASHEET

CODE	DESCRIPTION	COLOUR	L [mm]	H [mm]	P [mm]
SCD500126	"GUSCIO H720" ROOF WITH WEFT	LIGHT GREY RAL 7016	1000	720	470
SCD500127	GUSCIO H1120" ROOF WITH WEFT	LIGHT GREY RAL 7016	1100	1120	620
SCD500128	"GUSCIO H1420" ROOF WITH WEFT	LIGHT GREY RAL 7016	1100	1420	620

GUSCIO



ANTI-INTRUSION CAGE FOR OUTDOOR UNIT WITH 5° INCLINED TOP AND SIDE DOOR



CAGE ANTI-INTRUSION POUR UNITÉ EXTÉRIEURE AVEC TOP INCLINÉ 5° ET PORTE LATÉRALE



EINBRUCHSCHUTZKÄFIG FÜR AUSSENGERÄT MIT 5° GENEIGTEM TOP + SEITENTÜR

TECHNICAL SPECIFICATIONS

- GALVANISED SHEET MADE WITH ANTI-INTRUSION WEAVE
- EXTERNAL POLYESTER PAINTING RAL 9002
- GALVANISED SHEET METAL ROOF WITH ANTI-INTRUSION WEFT
- READY FOR TRANSIT OF DUCT, TUBING AND WIRING
- SIDE HATCH FOR INSPECTION AND MAINTENANCE WITH PADLOCK
- READY FOR WALL MOUNTING
- HEIGHT-ADJUSTABLE
- EASY TO ASSEMBLE
- MATT RAL 7016 GREY VERSION, AVAILABLE ON REQUEST

CARACTÉRISTIQUES TECHNIQUES

- TÔLE GALVANISÉE FABRIQUÉE AVEC UNE TRAME ANTI-INTRUSION
- PEINTURE POLYESTER D'EXTÉRIEUR RAL 9002
- TOIT EN TÔLE GALVANISÉE AVEC TRAME ANTI-INTRUSION
- PRÉDISPOSITION POUR LE PASSAGE DU CONDUIT DE TUYAUTERIE ET DU CÂBLAGE
- PORTE LATÉRALE POUR L'INSPECTION ET L'ENTRETIEN PRÉPARÉE POUR LE CADENAS
- PRÉDISPOSITION POUR MONTAGE MURAL
- RÉGLABLE EN HAUTEUR
- FACILE À ASSEMBLER
- VERSION GRIS MAT RAL 7016, DISPONIBLE SUR DEMANDE

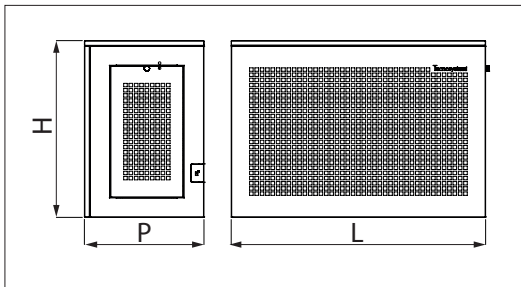
TECHNISCHE EIGENSCHAFTEN

- VERZINKTES BLECH MIT EINDRINGSICHERER BINDUNG
- POLYESTERBESCHICHTUNG FÜR DEN AUSSENBEREICH RAL 9002
- VERZINKTES BLECHDACH MIT EINBRUCHSCHUTZGEWEBE
- VORBEREITET FÜR DEN DURCHGANG VON ROHRLEITUNGSKANAL UND VERKABELUNGEN
- SEITENTÜR FÜR INSPEKTION UND WARTUNG VORBEREITET FÜR VORHÄNGESCHLOSS
- VORBEREITET FÜR WANDMONTAGE
- HÖHENVERSTELLBAR
- EINFACHE MONTAGE
- VERSION GRAU RAL 7016 MATT, AUF ANFRAGE ERHÄLTICH

BACK AND BOTTOM FREE

MADE IN ITALY

RAL 7016 MATT GRAY VERSION AVAILABLE ON REQUEST

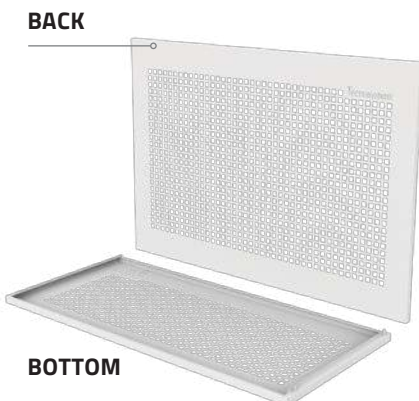


CODE	DESCRIPTION	COLOUR	L [mm]	H [mm]	P [mm]
SCD500129	"GUSCIO H720" WITH SLOPING ROOF 5°	IVORY RAL 9002	1000	720	470
SCD500130	"GUSCIO H1120" WITH SLOPING ROOF 5°	IVORY RAL 9002	1100	1120	620
SCD500131	"GUSCIO H1420" WITH SLOPING ROOF 5°	IVORY RAL 9002	1100	1420	620
CODE	DESCRIPTION	COLOUR	L [mm]	H [mm]	P [mm]
SCD500132	"GUSCIO H720" WITH SLOPING ROOF 5°	MATTE GREY RAL 7016	1000	720	470
SCD500133	"GUSCIO H1120" WITH SLOPING ROOF 5°	MATTE GREY RAL 7016	1100	1120	620
SCD500134	"GUSCIO H1420" WITH SLOPING ROOF 5°	MATTE GREY RAL 7016	1100	1420	620



DOWNLOAD DATASHEET

ACCESSORIES FOR ANTI-INTRUSION CAGES "GUSCIO" MODEL



CODE	DESCRIPTION	COLOUR
SCD500142	BACKREST FOR CAGE "GUSCIO 720"	IVORY RAL 9002
SCD500143	BACKREST FOR CAGE "GUSCIO 1120"	IVORY RAL 9002
SCD500144	BACKREST FOR CAGE "GUSCIO 1420"	IVORY RAL 9002
SCD500145	BACKREST FOR CAGE "GUSCIO 720"	MATTE GREY RAL 7016
SCD500146	BACKREST FOR CAGE "GUSCIO 1120"	MATTE GREY RAL 7016
SCD500147	BACKREST FOR CAGE "GUSCIO 1420"	MATTE GREY RAL 7016



DOWNLOAD DATASHEET

CODE	DESCRIPTION	COLOUR
SCD500135	BOTTOM FOR CAGE "GUSCIO 720"	IVORY RAL 9002
SCD500136	BOTTOM FOR CAGE "GUSCIO 1120/1420"	IVORY RAL 9002
SCD500138	BOTTOM FOR CAGE "GUSCIO 7720"	MATTE GREY RAL 7016
SCD500139	BOTTOM FOR CAGE "GUSCIO 1120/1420"	MATTE GREY RAL 7016

TS-COVER



CAGE WITH FLAT ROOF

CAGE À TOIT PLAT COULEUR

KÄFIG MIT FLACHDACH ELFENBEINFARBE

TECHNICAL SPECIFICATIONS

- GALVANISED SHEET MADE WITH ANTI-INTRUSION WEAVE
- EXTERNAL POLYESTER PAINTING RAL 9002
- READY FOR TRANSIT OF DUCT, TUBING AND WIRING
- READY FOR WALL MOUNTING
- EASY TO ASSEMBLE
- BACK AND BOTTOM ARE AVAILABLE ON REQUEST

CARACTÉRISTIQUES TECHNIQUES

- TÔLE GALVANISÉE FABRIQUÉE AVEC UNE TRAME ANTI-INTRUSION
- PEINTURE POLYESTER D'EXTÉRIEUR RAL 9002
- PRÉDISPOSITION POUR LE PASSAGE DU CONDUIT DE TUYAUTERIE ET DU CÂBLAGE
- PRÉDISPOSITION POUR MONTAGE MURAL
- FACILE À ASSEMBLER
- DOS ET BAS DISPONIBLES SUR DEMANDE

TECHNISCHE EIGENSCHAFTEN

- VERZINKTES BLECH MIT EINDRINGSICHERER BINDUNG
- POLYESTERBESCHICHTUNG FÜR DEN AUSSENBEREICH RAL 9002
- VORBEREITET FÜR DEN DURCHGANG VON ROHRLEITUNGSKANAL UND VERKABELUNGEN
- VORBEREITET FÜR WANDMONTAGE
- EINFACHE MONTAGE
- RÜCKSEITE UND BODEN AUF ANFRAGE ERHÄLTlich



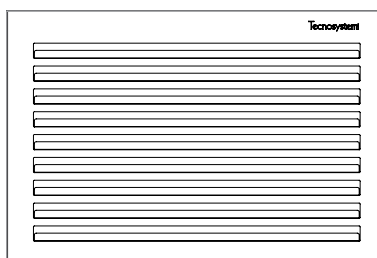
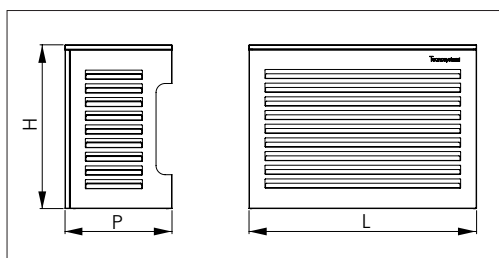
DOWNLOAD DATASHEET



MADE IN ITALY

BACK AND BOTTOM FREE

AVAILABLE ON REQUEST



preparation for passage conduit pipe and wiring

CODE	DESCRIPTION	COLOUR	L [mm]	H [mm]	P [mm]
SCD500171	"TS-COVER" SMALL WITH FLAT ROOF	IVORY RAL 9002	900	700	500
SCD500172	"TS-COVER" MEDIUM WITH FLAT ROOF	IVORY RAL 9002	1100	850	600
SCD500173	"TS-COVER" LARGE WITH FLAT ROOF	IVORY RAL 9002	1150	1200	650
SCD500174	"TS-COVER" X-LARGE WITH FLAT ROOF	IVORY RAL 9002	1200	1500	750

CODE	DESCRIPTION	COLOUR	L [mm]	H [mm]	P [mm]
SCD500175	"TS-COVER" SMAL WITH FLAT ROOF	MATTE GREY RAL 7016	900	700	500
SCD500176	"TS-COVER" MEDIUM WITH FLAT ROOF	MATTE GREY RAL 7016	1100	850	600
SCD500177	"TS-COVER" LARGE WITH FLAT ROOF	MATTE GREY RAL 7016	1150	1200	650
SCD500178	"TS-COVER" X-LARGE WITH FLAT ROOF	MATTE GREY RAL 7016	1200	1500	750

TS-COVER



CAGE WITH 5° SLOPED ROOF

CAGE AVEC TOIT INCLINÉ 5°

KÄFIG MIT 5° SCHRÄGDACH ELFENBEINFARBE

TECHNICAL SPECIFICATIONS

- GALVANISED SHEET MADE WITH ANTI-INTRUSION WEAVE
- EXTERNAL POLYESTER PAINTING RAL 9002
- READY FOR TRANSIT OF DUCT, TUBING AND WIRING
- READY FOR WALL MOUNTING
- EASY TO ASSEMBLE
- BACK AND BOTTOM ARE AVAILABLE ON REQUEST

CARACTÉRISTIQUES TECHNIQUES

- TÔLE GALVANISÉE FABRIQUÉE AVEC UNE TRAME ANTI-INTRUSION
- PEINTURE POLYESTER D'EXTÉRIEUR RAL 9002
- PRÉDISPOSITION POUR LE PASSAGE DU CONDUIT DE TUYAUTERIE ET DU CÂBLAGE
- PRÉDISPOSITION POUR MONTAGE MURAL
- FACILE À ASSEMBLER
- DOS ET BAS DISPONIBLES SUR DEMANDE

TECHNISCHE EIGENSCHAFTEN

- VERZINKTES BLECH MIT EINDRINGSICHERER BINDUNG
- POLYESTERBESCHICHTUNG FÜR DEN AUSSENBEREICH RAL 9002
- VORBEREITET FÜR DEN DURCHGANG VON ROHRLEITUNGSKANAL UND VERKABELUNGEN
- VORBEREITET FÜR WANDMONTAGE
- EINFACHE MONTAGE
- RÜCKSEITE UND BODEN AUF ANFRAGE ERHÄLTlich



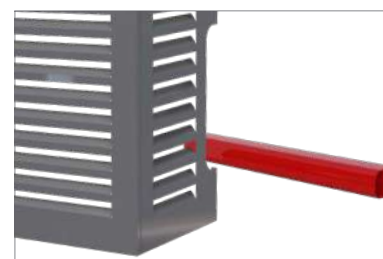
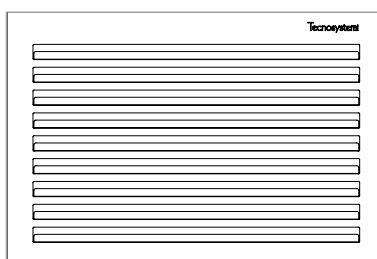
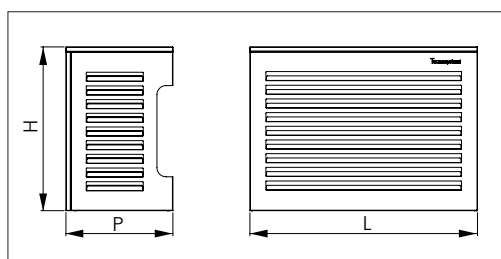
DOWNLOAD DATASHEET



MADE IN ITALY

BACK AND BOTTOM FREE

AVAILABLE ON REQUEST



preparation for passage conduit pipe and wiring

CODE	DESCRIPTION	COLOUR	L [mm]	H [mm]	P [mm]
SCD500163	"TS-COVER" SMALL WITH SLOPING ROOF 5°	IVORY RAL 9002	900	700	500
SCD500164	"TS-COVER" WITH SLOPING ROOF 5°	IVORY RAL 9002	1100	850	600
SCD500165	"TS-COVER" LARGE WITH SLOPING ROOF 5°	IVORY RAL 9002	1150	1200	650
SCD500166	"TS-COVER" X-LARGE WITH SLOPING ROOF 5°	IVORY RAL 9002	1200	1500	750

CODE	DESCRIPTION	COLOUR	L [mm]	H [mm]	P [mm]
SCD500167	"TS-COVER" SMALL CON TETTO INCL. 5°	MATTE GREY RAL 7016	900	700	500
SCD500168	"TS-COVER" MEDIUM CON TETTO INCL. 5°	MATTE GREY RAL 7016	1100	850	600
SCD500169	"TS-COVER" LARGE CON TETTO INCL. 5°	MATTE GREY RAL 7016	1150	1200	650
SCD500170	"TS-COVER" X-LARGE CON TETTO INCL. 5°	MATTE GREY RAL 7016	1200	1500	750

SMART CLIMA

TP800 / TP1000

 PROTECTION ROOF

 TOIT DE PROTECTION

 SCHUTZDACH

TECHNICAL SPECIFICATIONS

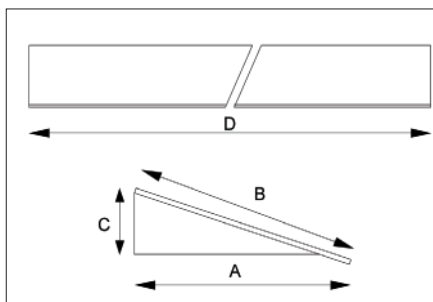
- ELECTROGALVANISED SHEET
- EXTERNAL POLYESTER PAINTING RAL 9002
- IVORY COLOUR
- FIXING PLUGS SUPPLIED

CARACTÉRISTIQUES TECHNIQUES

- TÔLE GALVANISÉE
- PEINTURE POLYESTER D'EXTÉRIEUR RAL 9002
- COULEUR IVOIRE
- CHEVILLES DE FIXATION FOURNIES

TECHNISCHE EIGENSCHAFTEN

- GALVANISCH VERZINKTES BLECH
- POLYESTERBESCHICHTUNG FÜR DEN AUSSENBEREICH RAL 9002
- ELFENBEINFARBEN
- MITGELIEFERTE BEFESTIGUNGSDÜBEL



FOR OUTDOOR UNITS

AVAILABLE IN 2 SIZES



DOWNLOAD DATASHEET

ROOF FROM 15° TO 30°

 MADE IN ITALY

CODE	DESCRIPTION	ROOF INCLINATION	DIMENSIONS			
			A [mm]	B [mm]	C [mm]	D [mm]
12000027	PROTECTION ROOF TP 800/15°	15°	445	460	120	800
12000028	PROTECTION ROOF TP 1000/15°	15°	545	560	120	1000
SCD600002	PROTECTION ROOF TP 800/30°	30°	530	600	230	800
SCD600003	PROTECTION ROOF TP 1000/30°	30°	530	600	230	1000

 RUBBER TAP COVER

 COUVERCLE DE ROBINET EN CAOUTCHOUC

 HAHNABDECKUNG AUS GUMMI



DOWNLOAD DATASHEET

FOR OUTDOOR UNITS

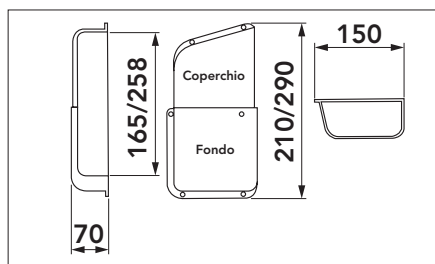
CODE	DESCRIPTION
12000037	RUBBER TAP COVER 1/4" - 1/2"
12000036	RUBBER TAP COVER 1/4" - 3/8"

 UNIVERSAL TELESCOPIC TAP COVER

 COUVERCLE DE ROBINET TELESCOPIQUE UNIVERSEL

 UNIVERSELLE TELESKOPISCHE HAHNABDECKUNG

FOR OUTDOOR UNITS



TELESCOPIC



  MADE IN ITALY



DOWNLOAD DATASHEET

CODE	DESCRIPTION
11128010	UNIVERSAL TELESCOPIC TAP COVER

 RIGID ANTI-VOLATILE COMBS

 PEIGNE ANTI-VOLATIL RIGIDE

 STARRER FLÜCHTIGKEITSHEMMENDER KAMM

TECHNICAL SPECIFICATIONS

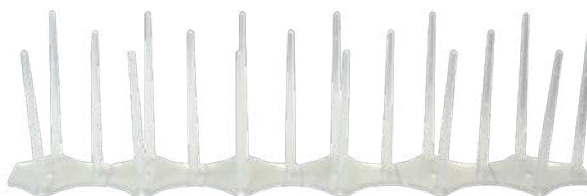
- MADE OF PVC
- ANTI-ROOSTING DEVICE HEIGHT 90 mm
- LENGTH 333 mm

CARACTÉRISTIQUES TECHNIQUES

- FABRIQUÉ EN PVC
- HAUTEUR DES AIGUILLES DE 90 mm
- LONGUEUR 333 mm

TECHNISCHE EIGENSCHAFTEN

- AUS PVC
- DORNHÖHE 90 mm
- LÄNGE: 333 mm



  MADE IN ITALY



DOWNLOAD DATASHEET

FOR OUTDOOR UNITS

CODE	DESCRIPTION
12000055	RIGID ANTI-VOLATILE COMBS

 DEFLECTOR KIT FOR BOX CONDITIONERS

 KIT DÉFLECTEUR POUR CLIMATISEURS À TIROIR

 ABLENKBAUSATZ FÜR KASSETTENKLIMAAANLAGEN

TECHNICAL SPECIFICATIONS

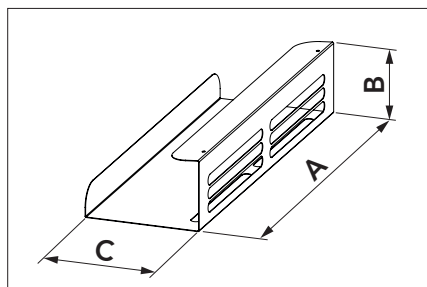
- ELECTROGALVANIZED SHEET
- CLOSED-CELL POLYETHYLENE INTERIOR ANTI-CONDENSATION INSULATION (5 mm THICK)
- FASTENINGS NOT INCLUDED

CARACTÉRISTIQUES TECHNIQUES

- TÔLE GALVANISÉE
- PEINT EN POLYESTER RAL 9016
- ISOLATION ANTI-CONDENSATION INTERNE (ÉPAISSEUR 5 mm) EN POLYÉTHYLÈNE À CELLULES FERMÉES
- FIXATIONS NON INCLUSES

TECHNISCHE EIGENSCHAFTEN

- GALVANISCH VERZINKTES BLECH
- IN POLYESTER RAL 9016 LACKIERT
- GESCHLOSSENZELLIGE POLYETHYLEN-ISOLIERUNG GEGEN KONDENSWASSERBILDUNG INNEN (5 mm DICK)
- BEFESTIGUNGEN NICHT IM LIEFERUMFANG ENTHALTEN



ANTICONDENSATION



DOWNLOAD DATASHEET

CODE	DESCRIPTION	DIMENSIONS		
		A [mm]	B [mm]	C [mm]
SCD600001	DEFLECTOR KIT FOR BOX CONDITIONERS (PACK OF 4 PCS.)	530	105	170

 ADJUSTABLE FLOW
DEFLECTOR FOR
INDOOR UNIT

 DÉFLECTEUR DE FLUX
RÉGLABLE POUR
UNITÉ INTÉRIEURE

 EINSTELLBARER
FLUSSABWEISER FÜR
INNENGERÄT

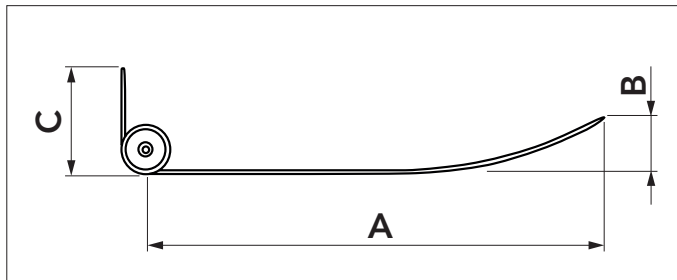
 MADE IN ITALY



DEVIO



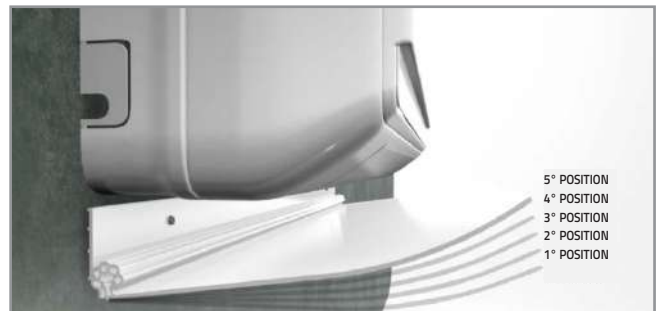
DOWNLOAD
DATASHEET



INSTALLATION



ADJUSTABLE IN 5 POSITIONS



CODE	DESCRIPTION	A [mm]	B [mm]	C [mm]
12000040	ADJUSTABLE FLOW DEFLECTOR "DEVIO" L 850 mm	260	30	55
12000041	ADJUSTABLE FLOW DEFLECTOR "DEVIO" L 1050 mm	260	30	55



UNIVERSAL POLYPROPYLENE FILTER PANEL 800 X 400 mm



PANNEAU FILTRE UNIVERSEL EN POLYPROPYLENE 800 X 400 mm



UNIVERSAL-POLYPROPYLEN- FILTERPLATTE 800 X 400 mm

TECHNICAL SPECIFICATIONS

- POLYPROPYLENE FIBRE FILTERING SEPTUM
- EXCELLENT RESISTANCE TO ACID
- DENSITY 0,91 g/cm³
- HYDROLYSIS RESISTANCE: GOOD
- CONTINUOUS OPERATING TEMPERATURE 80/90°C
- LOW RESISTANCE TO OXIDATION
- LOW RESISTANCE TO ORGANIC SOLVENTS
- SQUARE DIMENSIONS 8 X 8 mm
- APPLICATIONS FOR INDOOR WALL-MOUNTED AIR CONDITIONERS (IN GENERAL)
- SUPPLIED IN 800 X 400 mm SLAB TO BE CUT TO SIZE ACCORDING TO THE SIZE OF YOUR SPLIT

CARACTÉRISTIQUES TECHNIQUES

- CLOISON FILTRANTE EN FIBRE DE POLYPROPYLENE
- EXCELLENTE RÉSISTANCE AUX ACIDES
- DENSITÉ 0,91 g/cm³
- RÉSISTANCE À L'HYDROLYSE : BONNE
- TEMPÉRATURE DE FONCTIONNEMENT EN CONTINU 80/90 °C
- FAIBLE RÉSISTANCE À L'OXYDATION
- FAIBLE RÉSISTANCE AUX SOLVANTS ORGANIQUES
- TAILLE DU TABLEAU : 8 X 8 mm
- APPLICATIONS POUR CLIMATISEURS MURAUX INTÉRIEURS (EN GÉNÉRAL)
- LIVRÉ EN DALLE DE 800 X 400 mm À COUPER À LA TAILLE DE VOTRE FENTE

TECHNISCHE EIGENSCHAFTEN

- FILTERMEMBRAN AUS POLYPROPYLENFASERN
- HERVORRAGENDE SÄUREBESTÄNDIGKEIT
- DICHTHE 0,91 g/cm³
- HYDROLYSEBESTÄNDIGKEIT: GUT
- DAUERBETRIEBSTEMPERATUR 80/90 °C
- GERINGE OXIDATIONSBESTÄNDIGKEIT
- GERINGE BESTÄNDIGKEIT GEGEN ORGANISCHE LÖSUNGSMITTEL
- ABMESSUNGEN RIPPE: 8 X 8 mm
- ANWENDUNGEN FÜR RAUM-WANDKLIMAGERÄTE (ALLGEMEIN)
- LIEFERUNG IN 800 X 400 mm PLATTE, DIE ENTSPRECHEND DER GRÖSSE IHRES SPLITS ZUGESCHNITTEN WIRD



DOWNLOAD
DATASHEET



CODE	DESCRIPTION	BASE	HEIGHT	THICKNESS
11161930	UNIVERSAL POLYPROPYLENE FILTER PANEL 800x400 mm	800 mm	400 mm	2 mm



UNIVERSAL ACTIVATED CARBON FILTER PANEL 800 X 400 mm



PANNEAU DE FILTRE UNIVERSEL AU CHARBON ACTIF 800 X 400 mm



UNIVERSAL- AKTIVKOHLEFILTER 800 X 400 mm

TECHNICAL SPECIFICATIONS

- ACTIVATED CARBON FILTERING SEPTUM
- GRAMMAGE WEIGHT 650 g/mq
- 100% POLYESTER FIBRES
- ACTIVATED CARBON 38%
- FIRE BEHAVIOUR: EN 60335-2 31 FH2
- AIR PERMEABILITY (l/mq/s) AT 50 P TO EN ISO 9237: 1.000
- MINIMUM TENSION RESISTANCE (N): MD 100-CD 120
- OPERATING TEMPERATURE <150°C
- APPLICATIONS: FOR INDOOR WALL-MOUNTED AIR CONDITIONERS (IN GENERAL).
- SUPPLIED IN 800 X 400 mm SLAB TO BE CUT TO SIZE ACCORDING TO THE SIZE OF YOUR SPLIT

CARACTÉRISTIQUES TECHNIQUES

- CLOISON FILTRANTE À CHARBON ACTIF
- POIDS DU GRAMMAGE 650 g/mq
- COMPOSITION DE FIBRES 100 % POLYESTER
- CHARBON ACTIF 38 %
- COMPORTEMENT À LA FLAMME: EN 60335-2 31 FH2
- PERMÉABILITÉ À L'AIR (l/mq/s) À 50P SELON EN ISO 9237: 1,000
- RÉSISTANCE DE TENSION MINIMALE (N) : MD 100-CD 120
- TEMPÉRATURE DE FONCTIONNEMENT <150 °C
- APPLICATIONS : POUR LES CLIMATISEURS MURAUX INTÉRIEURS (EN GÉNÉRAL).
- LIVRÉ EN DALLE DE 800 X 400 mm À COUPER À LA TAILLE DE VOTRE FENTE

TECHNISCHE EIGENSCHAFTEN

- AKTIVKOHLEFILTERMEMBRAN
- GRAMMATURGEWICHT 650 G/MQ
- ZUSAMMENSETZUNG AUS 100 % POLYESTERFASERN
- AKTIVKOHLE 38%
- FLAMMENVERHALTEN: EN 60335-2 31 FH2
- LUFTDURCHLÄSSIGKEIT (l/mq/s) BEI 50P NACH EN ISO 9237: 1,000
- MINIMALER SPANNUNGSWIDERSTAND (N): MD 100-CD 120
- BETRIEBSTEMPERATUR <150 °C
- ANWENDUNGEN: FÜR RAUM-WANDKLIMAGERÄTE (ALLGEMEIN).
- LIEFERUNG IN 800 X 400 mm PLATTE, DIE ENTSPRECHEND DER GRÖSSE IHRES SPLITS



DOWNLOAD
DATASHEET



CODE	DESCRIPTION	BASE	HEIGHT	THICKNESS
11161940	UNIVERSAL ACTIVATED CARBON FILTER PANEL 800x400 mm	800 mm	400 mm	10 mm

GOLD



UNIVERSAL REMOTE CONTROL FOR INDOOR UNITS



TÉLÉCOMMANDE UNIVERSELLE POUR LES UNITÉS INTÉRIEURES



TECHNICAL SPECIFICATIONS

- MAX CONTROLLABLE DISTANCE: 8 m
- POWER SUPPLY: 3 V
- BATTERIES: N. 2 AAA (UM-4. R03)
- DIMENSIONS W 55 X H 165 X D 25
- WEIGHT: 100 g (WITHOUT BATTERIES)

CARACTÉRISTIQUES TECHNIQUES

- DISTANCE MAX. CONTRÔLABLE 8 m
- ALIMENTATION 3 V
- 2 PILES AAA (UM-4. R03)
- DIMENSIONS L 55 X H 165 X P 25 mm
- POIDS D'ENVIRON 100 g (HORS PILES)



UNIVERSELLE FERNBEDIENUNG FÜR INNENGERÄTE

TECHNISCHE EIGENSCHAFTEN

- MAX. STEUERBARE ENTFERNUNG 8 m
- STROMVERSORGUNG 3 V
- 2 AAA-BATTERIEN (UM-4. R03)
- ABMESSUNGEN B 55 X H 165 X T 25 mm
- GEWICHT CA. 100 g (OHNE BATTERIEN)

MARCHI			
ALPIN	GLEE	LITTLE DUCK	SHUANGLU
AUCMA	GOLDSTAR	LOREN-SEBO	SHUA I KANG
AUX	GREE	MACQUAY	SONGGE
BANSHEN	HAIER	MICOM	SOVA
BOERKA	HISENSE	MIDEA	SUMMER
CARRIER	HITACHI	mitsubishi	SUNDURG
CHANGHONG	HUABAO	NORITZ	SWAN
GHICO	HUAKE	PANASONIC	TADIRAN
CHOFU	HUAMEI	PANDA	TATUNG
CHUNLAN	HUALING	PHILCO	TCL
CORONA	HUIFENG	PROTON	TECO
CONROWA	HUIKANG	RAYBO	TIANDI
CONSUL	HYUNDAI	ROWA	TOSHIBA
DAEWOO	JDC	SABRO	TRANE
DAIKIN	JIANGNAN	SAIJO DENKI	UNI-AIR
DOCTOR	JINDA	SAMPO	WAN BAO
DONGBAO	JINSONG	SAMSUNG	WEILI
ELECTROLUX	JOHSON	SANYO	WHIRLPOOL
FRESTECH	KANGLI	SASUKI	WINIA
FUJITSU	KELON	SHANGLING	XILENG
FUNAI	KLIMATAIR	SHANXING	XINLE
GALANZ	KOLIN	SHARP	YANGZI (YAIR)
GENERAL	KONKA	SHENGFENG	YINYAN
GUQIAO	LIANGYU	SHINCO	YORK / ZHEN BAO



DOWNLOAD DATASHEET

CODE	DESCRIPTION
11132199G	"GOLD" UNIVERSAL REMOTE CONTROL FOR INDOOR UNITS

TS-VFR8



UNIVERSAL REMOTE CONTROL
FOR INDOOR UNITS



TÉLÉCOMMANDE UNIVERSELLE
POUR UNITÉS INTÉRIEURES



UNIVERSELLE FERNBEDIENUNG
FÜR INNENGERÄTE

TECHNICAL SPECIFICATIONS

- MAX. WORKING RANGE 8 m
- POWER SUPPLY 3 V
- AAA BATTERIES (UM-4, R03) X 2
- DIMENSIONS W 58 X H 160 X D 18 mm

CARACTÉRISTIQUES TECHNIQUES

- PORTÉE DE TRAVAIL MAX. 8 m
- ALIMENTATION 3 V
- PILES AAA (UM-4, R03) X 2
- DIMENSIONS L 58 X H 160 X P 18 mm

TECHNISCHE EIGENSCHAFTEN

- MAX. ARBEITSREICHWEITE 8 m
- STROMVERSORGUNG 3 V
- AAA-BATTERIEN (UM-4, R03) X 2
- ABMESSUNGEN B 58 x H 160 x T 18 mm

MARCHI		
CARRIER	HISENSE	PHILCO
CHANGONG	HUBAO	SAMSUNG
CHIGAO	HUALING	SANYO NEC
CHOFU	HUIFENG	SAIJO DENKI
CONROWA	HUIKANG	SHANGLING
CORONA	JDC	SHARP
DAIKIN	JOHSON	SHENGFENG SHANGLU
DOCTOR	KANGLI	SHUANGLU
ELECTRA	KELON	SOVA
ELECTROLUX	KLIMATAIR	TCL
FUJITSU	KONKA	TOSHIBA
GALANZ	LG	TRANE
GOLDSTAR	MACQUAY	UNI-AIR
GREE	MIDEA	WEILI
GUQIAO	MITSUBISCHI ELECTRIC	WHIRLPOOL
HAIER	MITSUBISCHI INDUSTRY	YORK
HITACHI	NATIONAL PANASONIC	-



CODE	DESCRIPTION
11132199	"TS-VRF8" UNIVERSAL REMOTE CONTROL FOR INDOOR UNITS



DOWNLOAD
DATASHEET



ELECTRICAL CABLES



CÂBLES ÉLECTRIQUES



ELEKTRISCHE KABEL

TECHNICAL SPECIFICATIONS

- S18 PVC INSULATED FLEXIBLE MULTIPOLE CABLE
- TYPE FS18OR18
- RATED VOLTAGE 300 / 500 V
- PVC SHEATH R18 - BROWN
- IMQ CERTIFICATION
- IN ACCORDANCE WITH CPR EU 305/11
- EUROCLASS CPR CEI-UNEL 35016 CCA - S3, D1, A3

CARACTÉRISTIQUES TECHNIQUES

- CÂBLE MULTIPOLAIRE FLEXIBLE ISOLÉ EN PVC S18
- TYPE FS18OR18
- TENSION NOMINALE 300 / 500 V
- GAINE PVC R18 - COULEUR MARRON
- CERTIFICATS IMQ
- CONFORMÉMENT À LA NORME CPR UE 305/11
- EUROCLASSE CPR CEI-UNEL 35016 CCA - S3, D1, A3

TECHNISCHE EIGENSCHAFTEN

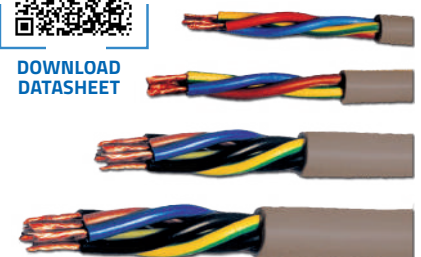
- S18 PVC-ISOLIERTES FLEXIBLES MEHRPOLIGES KABEL
- TYP FS18OR18
- NENNENSPIGUNG 300/500 V
- PVC-MANTEL R18 - BRAUN
- IMQ-ZERTIFIKATE
- GEMÄSS NORM CPR EU 305/11
- EUROKLASSE CPR CEI-UNEL 35016 CCA - S3, D1, A3



CODE	DESCRIPTION	MIN. PACK
SCC600014	ELECTRICAL CABLES FS18OR18 3 COLOURS SECTIONAL AREA 1,5 mm ² L=100m	100 m
SCC600015	ELECTRICAL CABLES FS18OR18 3 COLOURS SECTIONAL AREA 2,5 mm ² L=100m	100 m
SCC600016	ELECTRICAL CABLES FS18OR18 4 COLOURS SECTIONAL AREA 1,5 mm ² L=100m	100 m
SCC600017	ELECTRICAL CABLES FS18OR18 5 COLOURS SECTIONAL AREA 1,5 mm ² L=100m	100 m



DOWNLOAD
DATASHEET





 ISOLATED
COPPER PIPE

 TUYAU EN
CUIVRE ISOLÉ

 ISOLIERTES
KUPFERROHR

TOP LINE



THE "TOP LINE" INSULATION IS MADE OF CLOSED-CELL AND CROSSLINKED POLYETHYLENE FOAM (10 mm THICK). EXTERNALLY EQUIPPED WITH A VERY STRONG, PYRAMIDSHAPED AND TEAR-RESISTANT FILM, IN COLOUR IVORY. GUARANTEED TO OPERATE UP TO 120°C. THE ROLLS ARE 20 OR 50 m. LONG.

RI-LINE



THE "RI LINE" INSULATION IS MADE OF CLOSED-CELL AND CROSSLINKED POLYETHYLENE FOAM (FROM 6 TO 100 mm). EXTERNALLY EQUIPPED WITH A VERY STRONG TEARRESISTANT FILM, IN COLOUR WHITE.

NEW LINE



THE "NEW LINE" INSULATION IS MADE OF CLOSED-CELL AND POLYETHYLENE FOAM (FROM 6 TO 100 mm). EXTERNALLY EQUIPPED WITH A VERY STRONG TEARRESISTANT FILM, IN COLOUR WHITE.

ECO LINE



THE "ECO LINE" INSULATION IS MADE OF CLOSED-CELL POLYETHYLENE FOAM (FROM 6 TO 100 mm). EXTERNALLY EQUIPPED WITH A VERY STRONG TEAR-RESISTANT FILM, IN COLOUR WHITE.

new



GREY LINE (GREY)



THE "GREY LINE" INSULATION IS MADE OF CLOSED-CELL POLYETHYLENE FOAM (FROM 6 TO 100 mm). EXTERNALLY EQUIPPED WITH A VERY STRONG TEAR-RESISTANT FILM, IN COLOUR GREY.

TECHNICAL SPECIFICATIONS OF THE COPPER							
MEDIUM SIZES OF THE CRYSTALLINE GRAIN ACCORING TO THE METHOD HEYN = mm	0.020/025 mm						
EXPANSION TEST AT 40% WITH 60°	CONFORM						
EMBRITTEMENT TEST TO HYDROGEN ACCORDIN TO ASTM B 577	CONFORM						
INTERNAL SURFACE RESIDUAL CONTROL ASTM B 280	CONFORM						
DIMENSIONAL AND VISUAL TEST ACCORDING TO UNI EN 12735/1	CONFORM						
CHECKS WITH EDDY CURRENTS ON THE 100% OF THE LENGTH ACCORDING TO ASTM E 243 7.1.2.B.	CONFORM						
TECHNICAL SPECIFICATIONS OF THE INSULATION							
	TOP LINE	RI LINE		NEW LINE	ECO LINE		
WORKING TEMPERATURE	-80°C + 120°C	- 45°C + 100°C		-45°C + 100°C	- 45°C + 100°C		
SPECIFIC WEIGHT	30 kg/m ²	35 kg/m ²		35 kg/m ²	35 kg/m ²		
COEFFICIENT OF THERMAL CONDUCTIVITY DIN 52613	0,0034 W(M·1·K-1)	0,0040 W (M·K)		0,0040 W (M·K)	0,0040 W (M·K)		
PERMEABILITY TO VAPOUR DIN 52615	N12.000	N6200		N6200	N6200		
THICKNESS OF INSULATION	mm 10	1/4 3/8 1/2	5/8 3/4	1/4 3/8 1/2	5/8 3/4	1/4 3/8 1/2	5/8 3/4
		mm 6	mm 10	mm 6	mm 10	mm 6	mm 10
TOXICITY	NONE	NONE		NONE	NONE		
FIRE REACTION CLASS	CONFORM TO EN 13501 - 1 : 20099						
CFC FREE (FREON)	CONFORM TO THE LAW N°549 DEL 28/12/93						

 SINGLE INSULATED
COPPER PIPE 20 M

 TUBE CUIVRE ISOLE
SIMPLE 20 M

 EINZEL ISOLIERTES
KUPFERROHR 20 M

 MADE IN ITALY

 new



BL-s2-d0



BL-s1-d0



CL-s1-d0

TOP LINE

20 m - TH.1/0,8 mm



INSULATING
THICKNESS 10 mm
COPPER THICKNESS 1 mm

NEW LINE

20 m - TH.1 mm



INSULATING
THICKNESS 6 A 10 mm
6 mm: 1/4 - 3/8 - 1/2 10 mm: 5/8 - 3/4
COPPER THICKNESS 1 mm

GREY LINE

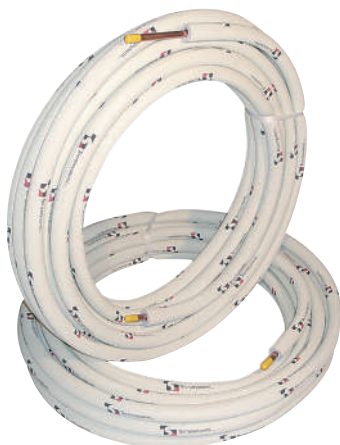
20 m - TH.1/0,8 mm



INSULATING
THICKNESS 6 A 10 mm
6 mm: 1/4 - 3/2 - 1/2 10 mm: 5/8 - 3/4
COPPER THICKNESS 0,8 mm

CODE	DESCRIPTION	MILLIMETERS	COPPER THICKNESS	SHEATH THICKNESS	IN PACK OF.	NO. COILS PER PALLET
TOP LINE SINGLE 20 m THICKNESS 1 mm						
11110414	CU 1/4	6,35	1,0 mm	10 mm	2 PC. - 40 m	14 PACK. = m 560
11110438	CU 3/8	9,52	1,0 mm	10 mm	2 PC. - 40 m	14 PACK. = m 560
11110412	CU 1/2	12,7	1,0 mm	10 mm	2 PC. - 40 m	11 PACK. = m 440
11110458	CU 5/8	15,88	1,0 mm	10 mm	2 PC. - 40 m	11 PACK. = m 440
11110434	CU 3/4	19,05	1,0 mm	10 mm	1 PC. - 20 m	11 PACK. = m 220
TOP LINE SINGLE 20 m THICKNESS 0,8 mm						
11110414W	CU 1/4	6,35	0,8 mm	10 mm	2 PC. - 40 m	14 PACK. = m 560
11110438W	CU 3/8	9,52	0,8 mm	10 mm	2 PC. - 40 m	14 PACK. = m 560
11110412W	CU 1/2	12,7	0,8 mm	10 mm	2 PC. - 40 m	11 PACK. = m 440
NEW LINE SINGLE 20 m THICKNESS 1 mm						
N11110414	CU 1/4	6,35	1,0 mm	6 mm	2 PC. - 40 m	14 PACK. = m 560
N11110438	CU 3/8	9,52	1,0 mm	6 mm	2 PC. - 40 m	14 PACK. = m 560
N11110412	CU 1/2	12,7	1,0 mm	6 mm	2 PC. - 40 m	11 PACK. = m 440
GREY LINE SINGLE 20 m THICKNESS 0,8 - 1 mm						
SCD600015	CU 1/4	6,35	0,8 mm	6 mm	2 PC. - 40 m	7 PACK. = m 560
SCD600016	CU 3/8	9,52	0,8 mm	6 mm	2 PC. - 40 m	7 PACK. = m 560
SCD600017	CU 1/2	12,7	0,8 mm	6 mm	2 PC. - 40 m	7 PACK. = m 560
SCD600018	CU 5/8	15,88	1 mm	10 mm	2 PC. - 40 m	7 PACK. = m 420
SCD600019	CU 3/4	19,05	1 mm	10 mm	1 PC. - 20 m	7 PACK. = m 420

 new



BL-s2-d0

TOP LINE

50 m - TH.1/0,8 mm



INSULATING
THICKNESS 10 mm
COPPER THICKNESS 1 mm



CL-s1-d0

RI-LINE

50 m - TH.1 mm



INSULATING THICKNESS 6 A 10 mm
6 mm: 1/4 - 3/8 - 1/2 - COPPER THICKNESS 1
mm 10 mm: 5/8 - 3/4
COPPER THICKNESS 1 mm





CL-s1-d0

GREY LINE

50 m - TH.1/0,8 mm



INSULATING THICKNESS 6 A 10 mm
6 mm: 1/4 - 3/2 - 1/2 - COPPER THICKNESS
0,8 mm 10 mm: 5/8 - 3/4
COPPER THICKNESS 0,8 mm

CODE	DESCRIPTION	MILLIMETERS	COPPER THICKNESS	SHEALTH THICKNESS	IN PACK OF.	NO. COILS PER PALLET
TOP LINE SINGLE 50 m THICKNESS 1 mm						
11110514	CU 1/4	6,35	1,0 mm	10 mm	1 PC. - 50 m	14 PACK. = m 700
11110538	CU 3/8	9,52	1,0 mm	10 mm	1 PC. - 50 m	14 PACK. = m 700
11110512	CU 1/2	12,7	1,0 mm	10 mm	1 PC. - 50 m	12 PACK. = m 600
11110558	CU 5/8	15,88	1,0 mm	10 mm	1 PC. - 50 m	10 PACK. = m 500
 SCD600009	CU 7/8	22,22	1,0 mm	10 mm	1 PC. - 50 m	10 PACK. = m 500
11110534	CU 3/4	19,05	1,0 mm	10 mm	1 PC. - 25 m	10 PACK. = m 250
TOP LINE SINGLE 50 m THICKNESS 0,8 mm						
11110514W	CU 1/4	6,35	0,8 mm	10 mm	1 PC. - 50 m	14 PACK. = m 700
11110538W	CU 3/8	9,52	0,8 mm	10 mm	1 PC. - 50 m	14 PACK. = m 700
11110512W	CU 1/2	12,7	0,8 mm	10 mm	1 PC. - 50 m	12 PACK. = m 600
RI LINE SINGLE 50 m THICKNESS 1 mm						
R11110414	CU 1/4	6,35	1,0 mm	6 mm	1 PC. - 50 m	14 PACK. = m 700
R11110438	CU 3/8	9,52	1,0 mm	6 mm	1 PC. - 50 m	14 PACK. = m 700
R11110412	CU 1/2	12,7	1,0 mm	6 mm	1 PC. - 50 m	12 PACK. = m 600
R11110458	CU 5/8	15,88	1,0 mm	10 mm	1 PC. - 50 m	10 PACK. = m 500
R11110434	CU 3/4	19,05	1,0 mm	10 mm	1 PC. - 25 m	10 PACK. = m 250
GREY LINE SINGLE 50 m THICKNESS 0,8 - 1 mm						
 SCD600010	CU 1/4	6,35	0,8 mm	6 mm	1 PC. - 50 m	14 PACK. = m 700
SCD600011	CU 3/8	9,52	0,8 mm	6 mm	1 PC. - 50 m	14 PACK. = m 700
SCD600012	CU 1/2	12,7	0,8 mm	6 mm	1 PC. - 50 m	12 PACK. = m 600
SCD600013	CU 5/8	15,88	1 mm	10 mm	1 PC. - 50 m	10 PACK. = m 500
SCD600014	CU 3/4	19,05	1 mm	10 mm	1 PC. - 25 m	10 PACK. = m 250

TOP LINE

 COUPLED INSULATED
COPPER PIPE

 TUBE EN CUIVRE
ISOLÉ ACCOUPLE

 GEKOPPELTES ISOLIERTES
KUPFERROHR

TECHNICAL SPECIFICATIONS

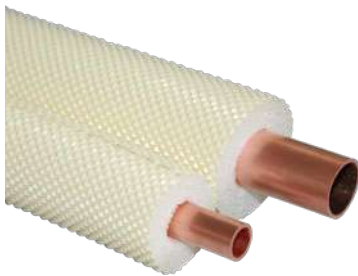
- CLOSED-CELL CROSS-LINKED POLYETHYLENE FOAM 10 mm THICK
- OPERATING TEMPERATURE UP TO 120°C
- IVORY TEAR-RESISTANT FILM WITH PYRAMIDAL TEXTURE
- PAIRED 20 m PACK
- CAPPED COPPER ENDS
- CARDBOARD PACKAGING
- CROSS-LINKED INSULATION BL-S2- D0
- COPPER CERTIFIED FOR GAS
- R410A THICKNESS 1 mm
- 1-METRE INTERVAL MARKING

CARACTÉRISTIQUES TECHNIQUES

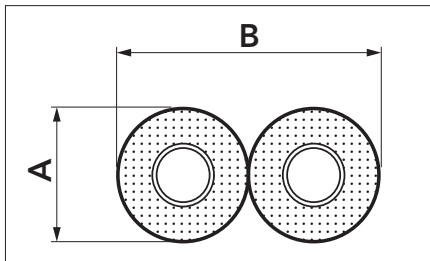
- POLYÉTHYLÈNE EXPANSÉ RÉTICULÉ À CELLULES FERMÉES DE 10 mm D'ÉPAISSEUR
- TEMPÉRATURE DE FONCTIONNEMENT JUSQU'À 120°C
- FILM ONDULÉ PYRAMIDAL IVOIRE RÉSISTANT À LA DÉCHIRURE
- EMBALLAGE DE 20 m
- EXTRÉMITÉS EN CUIVRE COIFFÉES
- EMBALLAGE EN CARTON
- ISOLATION RÉTICULÉE BL-S2- D0
- CUIVRE CERTIFIÉ POUR GAZ
- R410A ÉPAISSEUR 1 mm
- GAINE MÉTRIQUE

TECHNISCHE EIGENSCHAFTEN

- 10 mm STARKES VERNETZTES EXPANDIERTES POLYETHYLEN MIT GESCHLOSSENEN ZELLEN
- BETRIEBSTEMPERATUR BIS 120°C
- PYRAMIDENFÖRMIGE REISSFESTE FOLIE ELFENBEINFARBEN
- PACKUNG 20 m GEPAART
- VERKAPPT KUPFERENDEN
- IN KARTON VERPACKT
- VERNETZTE DÄMMUNG BL-S2- D0
- ZERTIFIZIERTES KUPFER FÜR GAS
- R410A STÄRKE 1 mm
- METRISCHE UMMANTELUNG



BL-s1-d0
SELF-EXTINGUISHING



20 m



DOWNLOAD
DATASHEET

 MADE IN ITALY

CODE	DESCRIPTION	MILLIMETERS	COPPER THICKNESS [mm]	SHEATH THICKNESS [mm]	A x B OVERALL [mm]	PACK OF	NO. COILS PER PALLET
11110038	CU 1/4 - 3/8	6,35 - 9,52	1,0 - 1,0	10	27 x 53	1 PC. - 20 m	26 PC. = m 520
11110012	CU 1/4 - 1/2	6,35 - 12,7	1,0 - 1,0	10	31 x 56	1 PC. - 20 m	14 PC. = m 280
11110058	CU 1/4 - 5/8	6,35 - 15,88	1,0 - 1,0	10	34 x 59	1 PC. - 20 m	11 PC. = m 220
11110108	CU 3/8 - 1/2	9,52 - 12,7	1,0 - 1,0	10	34 x 40	1 PC. - 20 m	11 PC. = m 220
11110158	CU 3/8 - 5/8	9,52 - 15,88	1,0 - 1,0	10	34 x 62	1 PC. - 20 m	11 PC. = m 220
11110065	CU 3/8 - 3/4	9,52 - 19,05	1,0 - 1,0	10	40 x 69	1 PC. - 20 m	11 PC. = m 220
11110068	CU 1/2 - 3/4	12,7 - 19,05	1,0 - 1,0	10	40 x 71	1 PC. - 20 m	11 PC. = m 220
11110038W	CU 1/4 - 3/8	6,35 - 9,52	0,8 - 0,8	10	27 x 53	1 PC. - 20 m	11 PC. = m 220
11110012W	CU 1/4 - 1/2	6,35 - 12,70	0,8 - 0,8	10	31 x 56	1 PC. - 20 m	11 PC. = m 220
11110108W	CU 3/8 - 1/2	9,52 - 12,70	0,8 - 0,8	10	34 x 40	1 PC. - 20 m	11 PC. = m 220
11110058W	CU 1/4 - 5/8	6,35 - 15,88	0,8 - 1,0	10	34 x 59	1 PC. - 20 m	11 PC. = m 220
11110158W	CU 3/8 - 5/8	9,52 - 15,88	0,8 - 1,0	10	34 x 62	1 PC. - 20 m	11 PC. = m 220
11110065W	CU 3/8 - 3/4	9,52 - 19,05	0,8 - 1,0	10	40 x 69	1 PC. - 20 m	11 PC. = m 220
11110068W	CU 1/2 - 3/4	12,70 - 19,05	0,8 - 1,0	10	40 x 71	1 PC. - 20 m	11 PC. = m 220

NEW LINE



COUPLED INSULATED
COPPER PIPE



COUPLED INSULATED
COPPER PIPE



COUPLED INSULATED
COPPER PIPE

TECHNICAL SPECIFICATIONS

- CLOSED-CELL POLYETHYLENE FOAM 10 mm THICK
- INSULATION THICKNESS 6 mm: 1/4 - 3/8 - 1/2
- INSULATION THICKNESS 10 mm: 5/8 - 3/4
- SMOOTH TEAR-RESISTANT FILM
- PAIRED 20 m PACK
- CAPPED COPPER ENDS
- CARDBOARD PACKAGING
- EXPANDED POLYETHYLENE INSULATION BL-S1-D0
- COPPER CERTIFIED FOR GAS R410A THICKNESS 1 mm
- 1-METRE INTERVAL MARKING

CARACTÉRISTIQUES TECHNIQUES

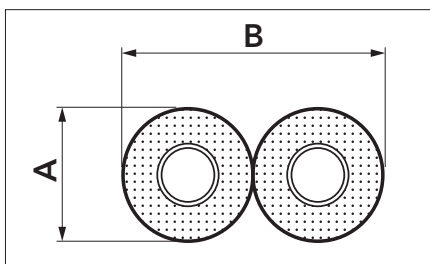
- POLYÉTHYLÈNE EXPANSÉ À CELLULES FERMÉES DE 10 mm D'ÉPAISSEUR
- ÉPAISSEUR D'ISOLATION 6 mm : 1/4 - 3/8 - 1/2
- ÉPAISSEUR D'ISOLATION 10 mm : 5/8 - 3/4
- FILM LISSE RÉSISTANT À LA DÉCHIRURE
- EMBALLAGE DE 20 m
- EXTRÉMITÉS EN CUIVRE COIFFÉES
- EMBALLAGE EN CARTON
- ISOLATION EN MOUSSE DE POLYÉTHYLÈNE BL-S1-D0
- CUIVRE CERTIFIÉ POUR GAZ R410A ÉPAISSEUR 1 mm
- GAINE MÉTRIQUE

TECHNISCHE EIGENSCHAFTEN

- 10 mm STARKES EXPANDIERTES POLYETHYLEN MIT GESCHLOSSENEN ZELLEN
- DÄMMUNGSSTÄRKE 6 mm: 1/4 - 3/8 - 1/2
- DÄMMUNGSSTÄRKE 10 mm: 5/8 - 3/4
- GLATTE REISSFESTE FOLIE
- PACKUNG 20 m GEPAART
- VERKAPPT KUPFERENDEN
- IN KARTON VERPACKT
- ISOLIERUNG AUS POLYETHYLENSCHAUM BL-S1-D0
- ZERTIFIZIERTES KUPFER FÜR GAS R410A STÄRKE 1 mm
- METRISCHE UMMANTELUNG



BL-s1-d0
SELF-EXTINGUISHING



20 m



DOWNLOAD
DATASHEET

MADE IN ITALY

CODE	DESCRIPTION	MILLIMETERS	COPPER THICKNESS	SHEATH THICKNESS	AXB OVERALL [mm]	PACK OF	NO. COILS PER PALLET
N11110038	CU 1/4 - 3/8	6,35 - 9,52	1,0 - 1,0	6 mm	27 x 53	1 PC. - 20 m	26 PC. = m 520
N11110012	CU 1/4 - 1/2	6,35 - 12,7	1,0 - 1,0	6 mm	31 x 56	1 PC. - 20 m	14 PC. = m 280

ECO LINE

 COUPLED INSULATED
COPPER PIPE

 TUBE EN CUIVRE
ISOLÉ ACCOUPLE

 GEKOPPELTES ISOLIERTES
KUPFERROHR

TECHNICAL SPECIFICATIONS

- CLOSED-CELL POLYETHYLENE FOAM FROM 6 mm TO 10 mm THICK
- INSULATION THICKNESS 6 mm 1/4 - 3/2 - 1/2
- INSULATION THICKNESS 10 mm 5/8
- SMOOTH TEAR-RESISTANT FILM
- PAIRED 20 m PACK
- CRIMPED COPPER ENDS
- CARDBOARD PACKAGING
- EXPANDED POLYETHYLENE INSULATION CL-S1-D0
- COPPER CERTIFIED FOR R410A THICKNESS 8 mm
- 1-METRE INTERVAL MARKING

CARACTÉRISTIQUES TECHNIQUES

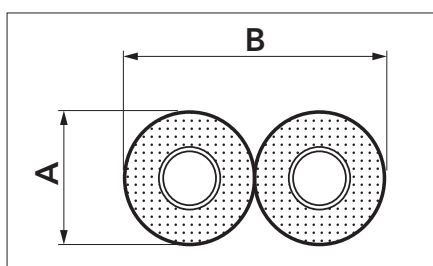
- ÉPAISSEUR DE MOUSSE DE POLYÉTHYLÈNE À CELLULES FERMÉES DE 6 mm À 10 mm
- ÉPAISSEUR ISOLÉE 6 mm 1/4 - 3/2 - 1/2
- ÉPAISSEUR ISOLÉE DE 10 mm 5/8
- FILM LISSE RÉSISTANT À LA DÉCHIRURE
- EMBALLAGE DE 20 m COUPLÉ
- EXTRÉMITÉS EN CUIVRE AGRAFÉES
- EMBALLAGE EN CARTON
- ISOLATION EN MOUSSE DE POLYÉTHYLÈNE CL-S1-D0
- CUIVRE CERTIFIÉ POUR R410A ÉPAISSEUR 8 mm

TECHNISCHE EIGENSCHAFTEN

- VON 6 mm BIS 10 mm STARKES EXPANDIERTES POLYETHYLEN MIT GESCHLOSSENEN ZELLEN
- DÄMMUNGSSTÄRKE 6 mm 1/4 - 3/2 - 1/2
- DÄÖMMUNGSSTÄRKE VON 10 mm 5/8
- GLATTE REISSFESTE FOLIE
- VERPACKUNG 20-METER GEPAART
- GEKLAMMTERTE KUPFERENDEN
- IN KARTON VERPACKT
- ISOLIERUNG AUS POLYETHYLENSCHAUM CL-S1-D0
- ZERTIFIZIERTES KUPFER FÜR R410A STÄRKE 8 mm
- METRISCHE UMMANTELUNG



CL-s1-d0
SELF-EXTINGUISHING




MADE IN ITALY



DOWNLOAD
DATASHEET

CODE	DESCRIPTION	MILLIMETERS	COPPER THICKNESS [mm]	SHEATH THICKNESS [mm]	A x B OVERALL	PACK OF	NO. COILS PER PALLET
E111100388	CU 1/4 - 3/8	6,35 - 9,52	0,8 - 0,8	6 mm x 6 mm	22 x 42	1 PC. - 20 m	12 PC. = m 480
E111100128	CU 1/4 - 1/2	6,35 - 12,7	0,8 - 0,8	6 mm x 6 mm	24 x 45	1 PC. - 20 m	7 PC. = m 280

 COPPER PIPE
IN RODS

TECHNICAL SPECIFICATIONS

- MEASUREMENTS IN INCHES
- CAPPED 4 m BARS
- SUPPLIED IN BOXES
- POLISHED INTERIOR
- PACK OF 5 - 10 RODS
- DESIGNATION R290 (RAW)

 TUYAU EN CUIVRE
EN BÂTONNETS

CARACTÉRISTIQUES TECHNIQUES

- MESURES EN POUCES
- BARRES PLAFONNÉES DE 4 m
- LIVRÉ DANS DES BOÎTES
- POLI À L'INTÉRIEUR
- EMBALLAGE DE 5 À 10 TIGES
- DÉSIGNATION R290 (BRUT)

 KUPFERROHR
IN STÄBEN

TECHNISCHE EIGENSCHAFTEN

- MASSE IN ZOLL
- 4 m LANGE STANGEN MIT KAPPEN
- LIEFERUNG IN KARTONS
- INNEN POLIERT
- PACKUNG MIT 5 - 10 STÄBEN
- BEZEICHNUNG R290 (ROH)

RECOMMENDED
FOR VRV - VRF

CODE	Ø [INCH]	Ø [mm]	THICKNESS [mm]	PACKAGE WEIGHT [kg]	RODS PER PACK
R11110003	1/2"	12,70	1	13,00	10
R11110004	5/8"	15,80	1	16,65	10
R11110005	3/4"	19,05	1	20,22	10
R11110006	7/8"	22,22	1	23,77	10
R11110007	1"	25,40	1	13,66	5
R11110008	1" 1/8	28,57	1	15,44	5
R11110012	1" 1/4	31,75	1,25	21,35	5
R11110009	1" 3/8	34,92	1,25	23,57	5
R11110010	1" 5/8	41,27	1,25	17,00	5



 MINIMUM QUANTITY FOR ORDER 10 BARRE - TRANSPORT TO BE CARRIED OUT BY THE CUSTOMER



DOWNLOAD
DATASHEET

 INSULATION FOR COPPER
PIPE IN RODS

TECHNICAL SPECIFICATIONS

- INSULATION THICKNESS 15 mm
- 2 m BARS
- GREY COLOUR
- REACTION TO FIRE CLASS BL1-S1-D0

 ISOLATION POUR TUBE EN
CUIVRE DANS DES TIGES

CARACTÉRISTIQUES TECHNIQUES

- ÉPAISSEUR D'ISOLATION 15 mm
- BARRES DE 2 m
- COULEUR GRISE
- CLASSE DE RÉACTION AU FEU BL1-S1-D0

 ISOLIERUNG FÜR
KUPFERROHRE IN STANGEN

TECHNISCHE EIGENSCHAFTEN

- DÄMMUNGSSTÄRKE 15 mm
- 2 m STANGEN
- GRAU
- BRANDREAKTIONSKLASSE BL1-S1-D0

BL1-s1-d0
SELF-EXTINGUISHING

MINIMUM ORDER: 20 BARS

 MADE IN ITALY

CODE	Ø [INCH]	Ø [mm]	THICKNESS [mm]	ITEM FOR PACK
11127993	1/2"	12,7	15	140 m
11127995	5/8"	15,80	15	110 m
11127996	3/4"	19,05	15	100 m
11127997	7/8"	22,22	15	82 m
11127998	1"	25,40	15	68 m
	1" 1/8	28,57	15	68 m
11127999	1" 1/4	31,756	15	60 m
	1" 3/8	34,92	15	60 m
11127994	1" 5/8	41,27	15	50 m



DOWNLOAD
DATASHEET

TECHNICAL SPECIFICATIONS

COLLAR

- GALVANISED STEEL
- INCLUDES JOINING SCREWS AND PLUG

INSULATING

- POLYURETHANE FOAM (PIR) COUPLED WITH FLEXIBLE ELASTOMER FOAM (FEF) AND PVC OUTER COATING
- EXTERNAL BLACK COLOUR
- THICKNESS 13 MM OR 19 MM
- OPERATING TEMPERATURE MAX: + 120°C / MIN. -180°C
- REACTION TO FIRE CLASS: B2

CARACTÉRISTIQUES TECHNIQUES

COLLIER

- ACIER GALVANISÉ
- AVEC VIS DE RACCORD ET CHEVILLE

ISOLANT

- MOUSSE DE POLYURÉTHANE EXPANSÉ (PIR) COUPLÉE À UNE MOUSSE SOUPLE ÉLASTOMÈRE (FEF) ET REVÊTEMENT EXTÉRIEUR EN PVC
- COULEUR EXTÉRIEURE NOIRE
- ÉPAISSEUR 13 MM OU 19 MM
- TEMPÉRATURE DE FONCTIONNEMENT MAX : + 120° C / MIN. -180° C
- CLASSEMENT AU FEU: B2

TECHNISCHE EIGENSCHAFTEN

SCHELLE

- VERZINKTES STAHL
- KOMPLETT MIT VERBINDUNGSSCHRAUBE UND STECKER

ISOLIEREND

- POLYURETHANSCHAUM (PIR) GEKOPPELT MIT FLEXIBLEM ELASTOMERSCHAUM (FEF) UND PVC-AUSSENVERKLEIDUNG
- AUSSENFARBE SCHWARZ
- STÄRKE 13 MM ODER 19 MM
- BETRIEBSTEMPERATUR MAX: + 120° C / MIN. -180° C
- BRANDKLASSE: B2

 **MADE IN ITALY**



DOWNLOAD DATASHEET

CODE	Ø [mm]	SCREW	RAWPLUG	COLLAR DIMENSIONS	MIN PACK
INSULATED COLLARS THICKNESS 13 mm					
SCC600063	INSULATED COLLARS THICKNESS 13 mm FOR COPPER PIPE Ø1/2	M8 X 90	Ø10 X 60	1" 1/4	10 PCS.
SCC600064	INSULATED COLLARS THICKNESS 13 mm FOR COPPER PIPE Ø5/8	M8 X 90	Ø10 X 60	1" 1/4	10 PCS.
SCC600065	INSULATED COLLARS THICKNESS 13 mm FOR COPPER PIPE Ø3/4	M8 X 90	Ø10 X 60	1" 1/4	10 PCS.
SCC600066	INSULATED COLLARS THICKNESS 13 mm FOR COPPER PIPE Ø7/8	M8 X 90	Ø10 X 60	1" 1/2	10 PCS.
SCC600067	INSULATED COLLARS THICKNESS 13 mm FOR COPPER PIPE Ø1" + 1"1/8	M8 X 90	Ø10 X 60	1" 1/2	10 PCS.
SCC600068	INSULATED COLLARS THICKNESS 13 mm FOR COPPER PIPE Ø1" 1/4 + 1"3/8	M8 X 90	Ø10 X 60	2"	10 PCS.
SCC600069	INSULATED COLLARS THICKNESS 13 mm FOR COPPER PIPE Ø1" 5/8	M8 X 90	Ø10 X 60	2"	10 PCS.
INSULATED COLLARS THICKNESS 19 mm					
SCC600070	INSULATED COLLARS THICKNESS 19 mm FOR COPPER PIPE Ø1/2	M8 X 90	Ø10 X 60	1" 1/2	10 PCS.
SCC600071	INSULATED COLLARS THICKNESS 19 mm FOR COPPER PIPE Ø5/8	M8 X 90	Ø10 X 60	1" 1/2	10 PCS.
SCC600072	INSULATED COLLARS THICKNESS 19 mm FOR COPPER PIPE Ø3/4	M8 X 90	Ø10 X 60	1" 1/2	10 PCS.
SCC600073	INSULATED COLLARS THICKNESSE 19 mm FOR COPPER PIPE Ø7/8	M8 X 90	Ø10 X 60	2"	10 PCS.
SCC600074	INSULATED COLLARS THICKNESS 19 mm FOR COPPER PIPE Ø1" + 1"1/8	M8 X 90	Ø10 X 60	2"	10 PCS.
SCC600075	INSULATED COLLARS THICKNESS 19 mm FOR COPPER PIPE Ø1" 1/4 + 1"3/8	M8 X 90	Ø10 X 60	2" 1/2	10 PCS.
SCC600076	INSULATED COLLARS THICKNESS 19 mm FOR COPPER PIPE Ø1" 5/8	M8 X 90	Ø10 X 60	2" 1/2	10 PCS.



GALVANISED COLLAR COMPLETE WITH SCREW AND DOWEL - SIZE IN INCHES



COLLIER GALVANISÉ AVEC VIS ET GOUJON - DIMENSIONS EN POUÇES



VERZINKTE SCHELLE KOMPLETT MIT SCHRAUBE UND DÜBEL - MASSE IN ZOLL

TECHNICAL SPECIFICATIONS

- MADE OF GALVANIZED STEEL
- SUPPLIED IN BLISTER PACKS OF 2 PCS.
- DIMENSIONS:**
 - COLLAR THICKNESS 2.5 mm
 - COLLAR WIDTH 20 mm
 - ELECTRO-WELDED M8 NUT
 - JOINT SCREW Ø M8 X 90 mm
 - EQUIPPED WITH PLUG Ø 10 X 60 mm
 - COLLAR DIAMETER IN INCHES

CARACTÉRISTIQUES TECHNIQUES

- FABRIQUÉ EN ACIER GALVANISÉ
- LIVRÉ EN PLAQUETTES THERMOFORMÉES DE 2 PIÈCES.
- DIMENSIONS:**
 - ÉPAISSEUR DU COLLIER 2,5 mm
 - LARGEUR DU COLLIER 20 mm
 - ÉCROU M8 ÉLECTRO-SOUDÉ
 - VIS D'ASSEMBLAGE Ø M8 X 90 mm
 - ÉQUIPÉ DE BOUCHON Ø 10 X 60 mm
 - DIAMÈTRE DU COLLIER EN POUÇES

TECHNISCHE EIGENSCHAFTEN

- AUS VERZINKTEM STAHL
- LIEFERUNG IN BLISTER MIT 2 STÜCK.
- GRÖSSE:**
 - SCELLENSTÄRKE 2,5 mm
 - SCELLENBREITE 20 mm
 - ELEKTROGESCHWEISSTE M8-MUTTER
 - GELENKSCHRAUBE Ø M8 X 90 mm
 - AUSGESTATTET MIT STECKER Ø10X60mm
 - KRAGENDURCHMESSER IN ZOLL



DOWNLOAD DATASHEET

CODE	DESCRIPTION	PIN	SCREW	DOWEL
22200300	GALVANISED COLLAR Ø 3/8" COMPLETE WITH SCREW AND DOWEL (2 pcs. /pack)	M8	M8 x 90	Ø 10 x 60
22200310	GALVANISED COLLAR Ø 1/2" COMPLETE WITH SCREW AND DOWEL (2 pcs. /pack)	M8	M8 x 90	Ø 10 x 60
22200320	GALVANISED COLLAR Ø 3/4" COMPLETE WITH SCREW AND DOWEL (2 pcs. /pack)	M8	M8 x 90	Ø 10 x 60
22200330	GALVANISED COLLAR Ø 1" COMPLETE WITH SCREW AND DOWEL (2 pcs. /pack)	M8	M8 x 90	Ø 10 x 60
22200340	GALVANISED COLLAR Ø 1 1/4" COMPLETE WITH SCREW AND DOWEL (2 pcs. /pack)	M8	M8 x 90	Ø 10 x 60
22200350	GALVANISED COLLAR Ø 1 1/2" COMPLETE WITH SCREW AND DOWEL (2 pcs. /pack)	M8	M8 x 90	Ø 10 x 60
22200360	GALVANISED COLLAR Ø 2" COMPLETE WITH SCREW AND DOWEL (2 pcs. /pack)	M8	M8 x 90	Ø 10 x 60



TROPICALISED COLLAR COMPLETE WITH SCREW AND DOWEL - SIZE IN MILLIMETRES



COLLIER TROPICALISÉ AVEC VIS ET CHEVILLE - TAILLES EN MILLIMÈTRES



TROPENFESTE SCHELLE KOMPLETT MIT SCHRAUBE UND DÜBEL - MASSE IN MILLIMETERN

TECHNICAL SPECIFICATIONS

- MADE OF TROPICALISED GALVANISED STEEL
- COLLAR THICKNESS 1 mm
- SCREW SIZE M6 X 10 mm
- COLLAR DIAMETER IN MILLIMETRES
- SUPPLIED IN BLISTER PACKS OF 2 PCS

CARACTÉRISTIQUES TECHNIQUES

- FABRIQUÉ EN ACIER GALVANISÉ TROPICALISÉ
- ÉPAISSEUR DU COLLIER 1 mm
- TAILLE DE VIS M6 X 10 mm
- DIAMÈTRE DU COLLIER EN MILLIMÈTRES
- LIVRÉ EN PLAQUETTES THERMOFORMÉES DE 2 PIÈCES

TECHNISCHE EIGENSCHAFTEN

- AUS VERZINKTEM STAHL MIT TROPICALISIERUNG
- SCELLENSTÄRKE 1 mm
- SCHRAUBENGRÖSSE M6 X 10 mm
- SCELLENDURCHMESSER IN MILLIMETERN
- LIEFERUNG IN BLISTER MIT 2 STÜCK



DOWNLOAD DATASHEET

CODE	DESCRIPTION	PIN	DOWEL
22200510	TROPICALISED COLLAR Ø 10 COMPLETE WITH SCREW AND DOWEL (2 pcs. /pack)	Ø 5 x 40	Ø 8 x 40
22200520	TROPICALISED COLLAR Ø 12 COMPLETE WITH SCREW AND DOWEL (2 pcs. /pack)	Ø 5 x 40	Ø 8 x 40
22200530	TROPICALISED COLLAR Ø 14 COMPLETE WITH SCREW AND DOWEL (2 pcs. /pack)	Ø 5 x 40	Ø 8 x 40
22200540	TROPICALISED COLLAR Ø 16 COMPLETE WITH SCREW AND DOWEL (2 pcs. /pack)	Ø 5 x 40	Ø 8 x 40
22200550	TROPICALISED COLLAR Ø 18 COMPLETE WITH SCREW AND DOWEL (2 pcs. /pack)	Ø 5 x 40	Ø 8 x 40
22200560	TROPICALISED COLLAR Ø 20 COMPLETE WITH SCREW AND DOWEL (2 pcs. /pack)	Ø 5 x 40	Ø 8 x 40
22200570	TROPICALISED COLLAR Ø 22 COMPLETE WITH SCREW AND DOWEL (2 pcs. /pack)	Ø 5 x 40	Ø 8 x 40
22200580	TROPICALISED COLLAR Ø 24 COMPLETE WITH SCREW AND DOWEL (2 pcs. /pack)	Ø 5 x 40	Ø 8 x 40
22200590	TROPICALISED COLLAR Ø 25 COMPLETE WITH SCREW AND DOWEL (2 pcs. /pack)	Ø 5 x 40	Ø 8 x 40
22200610	TROPICALISED COLLAR Ø 28 COMPLETE WITH SCREW AND DOWEL (2 pcs. /pack)	Ø 5 x 40	Ø 8 x 40
22200620	TROPICALISED COLLAR Ø 32 COMPLETE WITH SCREW AND DOWEL (2 pcs. /pack)	Ø 5 x 40	Ø 8 x 40
22200640	TROPICALISED COLLAR Ø 40 COMPLETE WITH SCREW AND DOWEL (2 pcs. /pack)	Ø 5 x 40	Ø 8 x 40
22200660	TROPICALISED COLLAR Ø 50 COMPLETE WITH SCREW AND DOWEL (2 pcs. /pack)	Ø 5 x 40	Ø 8 x 40



GALVANISED COLLAR COMPLETE WITH SCREW AND DOWEL AND GASKET - SIZE IN INCHES



COLLIER GALVANISÉ AVEC VIS ET CHEVILLE ET JOINT - DIMENSIONS EN POUCES



VERZINKTE SCHELLE KOMPLETT MIT SCHRAUBE, DÜBEL UND DICHTUNG- MASSE IN ZOLL

TECHNICAL SPECIFICATIONS

- MADE OF AISI 430 STAINLESS STEEL
- COLLAR THICKNESS 2 mm
- COLLAR WIDTH 20 mm
- INCLUDES SCREW AND FIXING PLUGS
- COLLAR DIAMETER IN INCHES
- SUPPLIED IN BLISTER PACKS OF 2 PCS

CARACTÉRISTIQUES TECHNIQUES

- FABRIQUÉ EN ACIER INOXYDABLE AISI 430
- ÉPAISSEUR DU COLLIER 2 mm
- LARGEUR DU COLLIER 20 mm
- LIVRÉ AVEC VIS ET CHEVILLE
- DIAMÈTRE DU COLLIER EN POUCES
- LIVRÉ EN PLAQUETTES THERMOFORMÉES DE 2 PIÈCES

TECHNISCHE EIGENSCHAFTEN

- AUS EDELSTAHL AISI 430
- SCELLENSTÄRKE 2 mm
- SCELLENBREITE 20 mm
- KOMPLETT MIT SCHRAUBE UND DÜBEL
- SCELLENDURCHMESSER IN ZOLL
- LIEFERUNG IN BLISTER MIT 2 STÜCK



DOWNLOAD DATASHEET

CODE	DESCRIPTION	Ø TUBE	PIN	SCREW	DOWEL
22200700	GALV. COLLAR Ø 3/8" COMPLETE WITH SCREW, DOWEL AND GASKET (2 pcs./pack)	15 - 19	M8	M8 x 90	Ø 10 x 60
22200710	GALV. COLLAR Ø 1/2" COMPLETE WITH SCREW, DOWEL AND GASKET (2 pcs./pack)	21 - 23	M8	M8 x 90	Ø 10 x 60
22200720	GALV. COLLAR Ø 3/4" COMPLETE WITH SCREW, DOWEL AND GASKET (2 pcs./pack)	26 - 28	M8	M8 x 90	Ø 10 x 60
22200730	GALV. COLLAR Ø 1" COMPLETE WITH SCREW, DOWEL AND GASKET (2 pcs./pack)	32 - 35	M8	M8 x 90	Ø 10 x 60
22200740	GALV. COLLAR Ø 1 1/4" COMPLETE WITH SCREW, DOWEL AND GASKET (2 pcs./pack)	40 - 43	M8	M8 x 90	Ø 10 x 60
22200750	GALV. COLLAR Ø 1 1/2" COMPLETE WITH SCREW, DOWEL AND GASKET (2 pcs./pack)	44 - 49	M8	M8 x 90	Ø 10 x 60
22200760	GALV. COLLAR Ø 2" COMPLETE WITH SCREW, DOWEL AND GASKET (2 pcs./pack)	57 - 61	M8	M8 x 90	Ø 10 x 60



GALVANISED COLLAR COMPLETE WITH SCREW AND DOWELS FOR SPIRAL DUCTS AND FLUES



COLLIER GALVANISÉ AVEC VIS ET CHEVILLES POUR CONDUITES SPIROÏDALES ET CONDUITS DE FUMÉE



VERZINKTE SCHELLE MIT SCHRAUBEN UND DÜBELN FÜR SPIRALKANÄLE UND RAUCHABZÜGE

TECHNICAL SPECIFICATIONS

- MADE OF GALVANIZED STEEL
- COLLAR THICKNESS 1.5 MM
- COLLAR WIDTH 28 MM
- COLLAR DIAMETER IN MILLIMETRES
- SUPPLIED IN BLISTER PACKS OF 2 PCS.

CARACTÉRISTIQUES TECHNIQUES

- FABRIQUÉ EN ACIER GALVANISÉ
- ÉPAISSEUR DU COLLIER 1,5 MM
- LARGEUR DU COLLIER 28 MM
- DIAMÈTRE DU COLLIER EN MILLIMÈTRES
- LIVRÉ EN PLAQUETTES THERMOFORMÉES DE 2 PIÈCES.

TECHNISCHE EIGENSCHAFTEN

- AUS VERZINKTEM STAHL
- SCELLENSTÄRKE 1,5 MM
- SCELLENBREITE 28 MM
- SCELLENDURCHMESSER IN MILLIMETERN
- LIEFERUNG IN BLISTER MIT 2 STÜCK.



DOWNLOAD DATASHEET

CODE	DESCRIPTION	SCREW	DOWEL
22200800	GALVANISED COLLAR Ø80 COMPLETE WITH SCREW AND DOWELS FOR SPIRAL DUCTS AND FLUES (2 pcs./pack)	M8 x 90	Ø 10 x 60
22200820	GALVANISED COLLAR Ø 100 COMPLETE WITH SCREW AND DOWELS FOR SPIRAL DUCTS AND FLUES (2 pcs./pack)	M8 x 90	Ø 10 x 60
22200830	GALVANISED COLLAR Ø 115 COMPLETE WITH SCREW AND DOWELS FOR SPIRAL DUCTS AND FLUES (2 pcs./pack)	M8 x 90	Ø 10 x 60
22200840	GALVANISED COLLAR Ø 120 COMPLETE WITH SCREW AND DOWELS FOR SPIRAL DUCTS AND FLUES (2 pcs./pack)	M8 x 90	Ø 10 x 60
22200850	GALVANISED COLLAR Ø 130 COMPLETE WITH SCREW AND DOWELS FOR SPIRAL DUCTS AND FLUES (2 pcs./pack)	M8 x 90	Ø 10 x 60
22200860	GALVANISED COLLAR Ø 140 COMPLETE WITH SCREW AND DOWELS FOR SPIRAL DUCTS AND FLUES (2 pcs./pack)	M8 x 90	Ø 10 x 60
22200870	GALVANISED COLLAR Ø 150 COMPLETE WITH SCREW AND DOWELS FOR SPIRAL DUCTS AND FLUES (2 pcs./pack)	M8 x 90	Ø 10 x 60
22200880	GALVANISED COLLAR Ø 160 COMPLETE WITH SCREW AND DOWELS FOR SPIRAL DUCTS AND FLUES (2 pcs./pack)	M8 x 90	Ø 10 x 60
22200890	GALVANISED COLLAR Ø 180 COMPLETE WITH SCREW AND DOWELS FOR SPIRAL DUCTS AND FLUES (2 pcs./pack)	M8 x 90	Ø 10 x 60
22200900	GALVANISED COLLAR Ø 200 COMPLETE WITH SCREW AND DOWELS FOR SPIRAL DUCTS AND FLUES (2 pcs./pack)	M8 x 90	Ø 10 x 60
22200910	GALVANISED COLLAR Ø 220 COMPLETE WITH SCREW AND DOWELS FOR SPIRAL DUCTS AND FLUES (2 pcs./pack)	M8 x 90	Ø 10 x 60
22200920	GALVANISED COLLAR Ø 250 COMPLETE WITH SCREW AND DOWELS FOR SPIRAL DUCTS AND FLUES (2 pcs./pack)	M8 x 90	Ø 10 x 60
22200930	GALVANISED COLLAR Ø 300 COMPLETE WITH SCREW AND DOWELS FOR SPIRAL DUCTS AND FLUES (2 pcs./pack)	M8 x 90	Ø 10 x 60



TROPICALISED COLLAR COMPLETE WITH SCREW AND DOWEL - SIZE IN MILLIMETRES



COLLIER TROPICALISÉ AVEC VIS ET CHEVILLE - TAILLES EN MILLIMÈTRES



TROPENFESTE SCHELLE KOMPLETT MIT SCHRAUBE UND DÜBEL - MASSE IN MILLIMETERN

TECHNICAL SPECIFICATIONS

- MADE OF COPPER
- COLLAR THICKNESS 1 MM
- INCLUDES SCREW AND FIXING PLUGS
- COLLAR DIAMETER IN MILLIMETRES
- SUPPLIED IN BLISTER PACKS OF 2 PCS.

CARACTÉRISTIQUES TECHNIQUES

- FABRIQUÉ EN CUIVRE
- ÉPAISSEUR DU COLLIER 1 MM
- LIVRÉ AVEC VIS ET CHEVILLE
- DIAMÈTRE DU COLLIER EN MILLIMÈTRES
- LIVRÉ EN PLAQUETTES THERMOFORMÉES DE 2 PIÈCES.

TECHNISCHE EIGENSCHAFTEN

- AUS KUPFER
- SCELLENSTÄRKE 1 MM
- KOMPLETT MIT SCHRAUBE UND DÜBEL
- SCELLENDURCHMESSER IN MILLIMETERN
- LIEFERUNG IN BLISTER MIT 2 STÜCK.



DOWNLOAD DATASHEET

CODE	DESCRIPTION	PIN	DOWEL
22201000	TROPICALISED COLLAR Ø10 COMPLETE WITH SCREW AND DOWEL - SIZE IN MILLIMETRES (2 pcs./pack)	Ø 5 x 35	Ø 8 x 40
22201010	TROPICALISED COLLAR Ø12 COMPLETE WITH SCREW AND DOWEL - SIZE IN MILLIMETRES (2 pcs./pack)	Ø 5 x 35	Ø 8 x 40
22201020	TROPICALISED COLLAR Ø14 COMPLETE WITH SCREW AND DOWEL - SIZE IN MILLIMETRES (2 pcs./pack)	Ø 5 x 35	Ø 8 x 40
22201030	TROPICALISED COLLAR Ø16 COMPLETE WITH SCREW AND DOWEL - SIZE IN MILLIMETRES (2 pcs./pack)	Ø 5 x 35	Ø 8 x 40
22201040	TROPICALISED COLLAR Ø18 COMPLETE WITH SCREW AND DOWEL - SIZE IN MILLIMETRES (2 pcs./pack)	Ø 5 x 35	Ø 8 x 40
22201050	TROPICALISED COLLAR Ø22 COMPLETE WITH SCREW AND DOWEL - SIZE IN MILLIMETRES (2 pcs./pack)	Ø 5 x 35	Ø 8 x 40
22201060	TROPICALISED COLLAR Ø28 COMPLETE WITH SCREW AND DOWEL - SIZE IN MILLIMETRES (2 pcs./pack)	Ø 5 x 35	Ø 8 x 40
22201070	TROPICALISED COLLAR Ø32 COMPLETE WITH SCREW AND DOWEL - SIZE IN MILLIMETRES (2 pcs./pack)	Ø 5 x 35	Ø 8 x 40
22201080	TROPICALISED COLLAR Ø35 COMPLETE WITH SCREW AND DOWEL - SIZE IN MILLIMETRES (2 pcs./pack)	Ø 5 x 35	Ø 8 x 40
22201090	TROPICALISED COLLAR Ø38 COMPLETE WITH SCREW AND DOWEL - SIZE IN MILLIMETRES (2 pcs./pack)	Ø 5 x 35	Ø 8 x 40
22201100	TROPICALISED COLLAR Ø42 COMPLETE WITH SCREW AND DOWEL - SIZE IN MILLIMETRES (2 pcs./pack)	Ø 5 x 35	Ø 8 x 40
22201110	TROPICALISED COLLAR Ø54 COMPLETE WITH SCREW AND DOWEL - SIZE IN MILLIMETRES (2 pcs./pack)	Ø 5 x 35	Ø 8 x 40



COPPER SLEEVE F / F



MANCHON EN CUIVRE F / F



KUPFERHÜLSE F / F

TECHNICAL SPECIFICATIONS

- MEASUREMENTS IN INCHES
- POLISHED INTERIOR
- FEMALE/ FEMALE COUPLING

CARACTÉRISTIQUES TECHNIQUES

- MESURES EN POUCES
- OLI À L'INTÉRIEUR
- RACCORD FEMELLE / FEMELLE

TECHNISCHE EIGENSCHAFTEN

- MASSE IN ZOLL
- INNEN POLIERT
- ANSCHLUSS MIT INNENGEWINDE / ANSCHLUSS MIT INNENGEWINDE



DOWNLOAD DATASHEET

CODE	Ø [INCH]	Ø [mm]	THK. [mm]	MIN PACK
11110596	1/2"	12,7	1	10 PCS
11110600	5/8"	15,80	1	10 PCS.
11110601	3/4"	19,05	1	10 PCS.
11110602	7/8"	22,22	1	10 PCS.
11110603	1"	25,40	1	10 PCS.
11110604	1" 1/8	28,57	1	10 PCS.
11110622	1" 1/4	31,75	1	10 PCS.
11110605	1" 3/8	34,92	1,2	10 PCS.
11110618	1" 5/8	41,27	1,2	10 PCS.

 45° CURVE F / F

 COURBE 45° F / F

 45° KURVE F / F

TECHNICAL SPECIFICATIONS

- MISURE IN POLLICI
- LUCIDI INTERNAMENTE
- ATTACCO FEMMINA-FEMMINA

CARACTÉRISTIQUES TECHNIQUES

- MESURES EN POUCES
- OLI À L'INTÉRIEUR
- RACCORD FEMELLE / FEMELLE

TECHNISCHE EIGENSCHAFTEN

- MASSE IN ZOLL
- INNEN POLIERT
- ANSCHLUSS MIT INNENGEWINDE / ANSCHLUSS MIT INNENGEWINDE



DOWNLOAD DATASHEET

CODE	Ø [INCH]	Ø [mm]	THK. [mm]	MIN PACK
11110598	1/2"	12,7	1	10 PCS.
11110630	5/8"	15,80	1	10 PCS.
11110631	3/4"	19,05	1	10 PCS.
11110632	7/8"	22,22	1	10 PCS.
11110633	1"	25,40	1	10 PCS.
11110634	1" 1/8	28,57	1	10 PCS.
11110635	1" 1/4	31,75	1	10 PCS.
11110636	1" 3/8	34,92	1,2	10 PCS.
11110637	1" 5/8	41,27	1,2	10 PCS.

 90° CURVE F / F

 COURBE 90° F / F

 90° KURVE F / F

TECHNICAL SPECIFICATIONS

- MEASUREMENTS IN INCHES
- POLISHED INTERIOR
- FEMALE/ FEMALE COUPLING

CARACTÉRISTIQUES TECHNIQUES

- MESURES EN POUCES
- OLI À L'INTÉRIEUR
- RACCORD FEMELLE / FEMELLE

TECHNISCHE EIGENSCHAFTEN

- MASSE IN ZOLL
- INNEN POLIERT
- ANSCHLUSS MIT INNENGEWINDE / ANSCHLUSS MIT INNENGEWINDE



DOWNLOAD DATASHEET

CODE	Ø [INCH]	Ø [mm]	THK. [mm]	MIN PACK
11110597	1/2"	12,7	1	10 PCS.
11110606	5/8"	15,80	1	10 PCS.
11110607	3/4"	19,05	1	10 PCS.
11110608	7/8"	22,22	1	10 PCS.
11110609	1"	25,40	1	10 PCS.
11110610	1" 1/8	28,57	1	10 PCS.
11110623	1" 1/4	31,75	1	10 PCS.
11110611	1" 3/8	34,92	1,2	10 PCS.
11110619	1" 5/8	41,27	1,2	10 PCS.

 "T" COPPER

 CUIVRE "T"

 "T" KUPFER

TECHNICAL SPECIFICATIONS

- MEASUREMENTS IN INCHES
- POLISHED INTERIOR

CARACTÉRISTIQUES TECHNIQUES

- MESURES EN POUCES
- OLI À L'INTÉRIEUR

TECHNISCHE EIGENSCHAFTEN

- MASSE IN ZOLL
- INNEN POLIERT

CODE	Ø [INCH]	Ø [mm]	THK. [mm]	CONF. MIN. DA
11110599	1/2"	12,7	1	10 PCS.
11110612	5/8"	15,80	1	10 PCS.
11110613	3/4"	19,05	1	10 PCS.
11110614	7/8"	22,22	1	10 PCS.
11110615	1"	25,40	1	10 PCS.
11110616	1" 1/8	28,57	1	10 PCS.
11110624	1" 1/4	31,75	1	10 PCS.
11110617	1" 3/8	34,92	1,2	10 PCS.
11110620	1" 5/8	41,27	1,2	10 PCS.



DOWNLOAD DATASHEET

 REDUCTION FOR COPPER PIPE IN RODS F / F

 RÉDUCTION POUR TUBE CUIVRE EN BARRES F / F

 REDUZIERUNG FÜR KUPFERROHR IN STÄBEN F / F

TECHNICAL SPECIFICATIONS

- MEASUREMENTS IN INCHES
- POLISHED INTERIOR
- FEMALE/ FEMALE COUPLING

CARACTÉRISTIQUES TECHNIQUES

- MESURES EN POUCES
- OLI À L'INTÉRIEUR
- RACCORD FEMELLE / FEMELLE

TECHNISCHE EIGENSCHAFTEN

- MASSE IN ZOLL
- INNEN POLIERT
- ANSCHLUSS MIT INNENGEWINDE / ANSCHLUSS MIT INNENGEWINDE

CODE	Ø [INCH]	Ø [mm]	THK. [mm]	MIN PACK
11110643	5/8" - 3/4"	15,80 - 19,05	1 mm	10 PCS.
11110646	3/4" - 7/8"	19,05 - 22,22	1 mm	10 PCS.
11110650	1" - 1" 1/8	25,40 - 28,57	1 mm	10 PCS.
11110656	1" 3/8 - 1" 5/8	34,92 - 41,27	1 mm	10 PCS.



DOWNLOAD DATASHEET

 BALL VALVE

 ROBINET À BILLE

 KUGELVENTIL

TECHNICAL SPECIFICATIONS

- MEASUREMENTS IN INCHES
- POLISHED INTERIOR

CARACTÉRISTIQUES TECHNIQUES

- MESURES EN POUCES
- OLI À L'INTÉRIEUR

TECHNISCHE EIGENSCHAFTEN

- MASSE IN ZOLL
- INNEN POLIERT

CODE	Ø [INCH]	Ø [mm]
11135055	1/4"	6,35
11135056	3/8"	9,52
11135057	1/2"	12,7
11135058	5/8"	15,88
11135059	3/4"	19,05
11135051	7/8"	22,22
11135053	1" 1/8	28,57
11135054	1" 3/8	34,92
11135060	1" 5/8	41,27



DOWNLOAD DATASHEET

 FLEXIBLE ANTI-VIBRATION JOINT TO WELD F / F

 JOINT FLEXIBLE ANTI-VIBRATION A SOUDER F/F

 FLEXIBLE ANTI-VIBRATIONS VERBINDUNG ZUM SCHWEISSEN F / F

CODE	DESCRIPTION	LENGTH [mm]
11135101	FLEXIBLE JOINT WITH VIBRATION DAMPER TO WELD 3/8"	217
11135102	FLEXIBLE JOINT WITH VIBRATION DAMPER TO WELD 1/2"	230
11135103	FLEXIBLE JOINT WITH VIBRATION DAMPER TO WELD 5/8"	250
11135104	FLEXIBLE JOINT WITH VIBRATION DAMPER TO WELD 3/4"	260
11135105	FLEXIBLE JOINT WITH VIBRATION DAMPER TO WELD 7/8"	305
11135109	FLEXIBLE JOINT WITH VIBRATION DAMPER TO WELD 1" 5/8"	400



DOWNLOAD DATASHEET

F/F WELD-ON LIQUID/MOISTURE INDICATOR



F/F WELD-ON LIQUID/MOISTURE INDICATOR



INDICATEUR DE LIQUIDE / HUMIDITÉ A SOUDER F / F



FLÜSSIGKEITS-/ FEUCHTEINDIKATOR ZUM SCHWEISSEN F/F

CODE	DESCRIPTION	LENGTH [mm]
11135121	F/F WELD-ON LIQUID/MOISTURE INDICATOR 3/8"	120
11135122	F/F WELD-ON LIQUID/MOISTURE INDICATOR 1/2"	146
11135123	F/F WELD-ON LIQUID/MOISTURE INDICATOR 5/8"	155
11135124	F/F WELD-ON LIQUID/MOISTURE INDICATOR 3/4"	170
11135125	F/F WELD-ON LIQUID/MOISTURE INDICATOR 7/8"	175
11135126	F/F WELD-ON LIQUID/MOISTURE INDICATOR 1"	218
11135127	F/F WELD-ON LIQUID/MOISTURE INDICATOR 1" 1/8"	218



DOWNLOAD DATASHEET



"Y" SHUNT IN COPPER



JONCTION "Y" EN CUIVRE



"T" ABZWEIGUNG AUS KUPFER

TECHNICAL SPECIFICATIONS

- INCLUDES INSULATION
- MAX PRESSURE 50 BAR
- FOR VRV - VRF

CARACTÉRISTIQUES TECHNIQUES

- LIVRÉ AVEC ISOLATION
- PRESSION MAX 50 BAR
- POUR VRV - VRF

TECHNISCHE EIGENSCHAFTEN

- KOMPLETT MIT DÄMMUNG DRUCK MAX. 50 BAR
- FÜR VRV - VRF



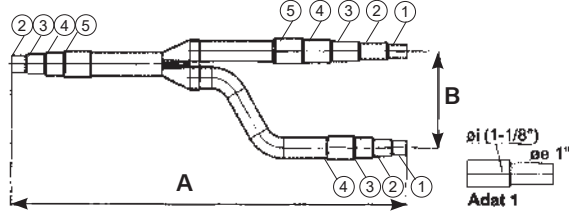
KIT "A"
KIT "E"



KIT "B"

DIMENSIONS CODE 11110520 - 11110521

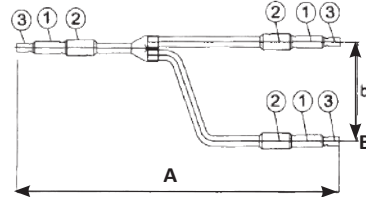
DETAIL 1



A	420 mm		4	∅ 19,05	3/4"
B	100 mm		5	∅ 22,4	7/8"
1	∅ 9,52	3/8"	6		
2	∅ 12,7	1/2"	7		
3	∅ 15,88	5/8"			

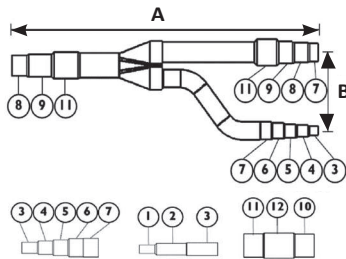
∅ I = INTERNAL DIAMETER

DETAIL 2

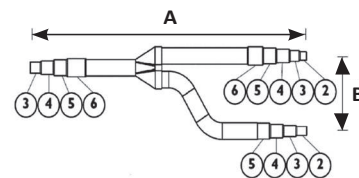


a	300 mm	
b	90 mm	
1	∅ 9,52	3/8"
2	∅ 12,7	1/2"
3	∅ 6,35	1/4"

DIMENSIONS CODE 11110524



A	500 mm		4	∅ 15,88	5/8"	9	∅ 31,75	1 1/4"
B	120 mm		5	∅ 19,05	3/4"	10	∅ 34,92	1 3/8"
1	∅ 6,35	1/4"	6	∅ 22,40	7/8"	11	∅ 38,10	1 1/2"
2	∅ 9,52	3/8"	7	∅ 25,40	1"	12	∅ 41,28	1 5/8"
3	∅ 12,70	1/2"	8	∅ 28,57	1 1/8"			



A	420 mm		5	∅ 19,05	3/4"
B	100 mm		6	∅ 22,40	7/8"
2	∅ 9,52	3/8"			
3	∅ 12,70	1/2"			
4	∅ 15,88	5/8"			

CODE	DESCRIPTION
11110520	"Y" SHUNT IN COPPER KIT "A": 2Y X 30 KW
11110524	"Y" SHUNT IN COPPER KIT "E": 2Y X 90 KW
11110521	COPPER "Y" SHUNT "B": 2Y + 1Y/R X 30 KW (COMPOSED OF 2pcs OF DETAIL 1 AND 1pc OF DETAIL 2)



DOWNLOAD DATASHEET



TECHNICAL SPECIFICATIONS

- INCLUDES INSULATION
- MAX PRESSURE 50 BAR
- FOR VRV - VRF

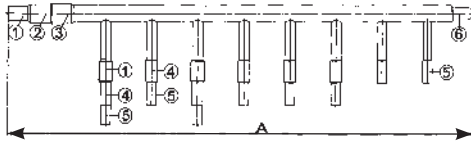
CARACTÉRISTIQUES TECHNIQUES

- LIVRÉ AVEC ISOLATION
- PRESSION MAX 50 BAR
- POUR VRV - VRF

TECHNISCHE EIGENSCHAFTEN

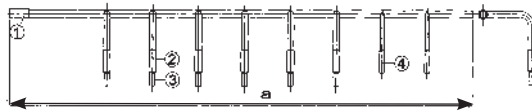
- KOMPLETT MIT DÄMMUNG DRUCK MAX. 50 BAR
- FÜR VRV - VRF

DETAIL 1

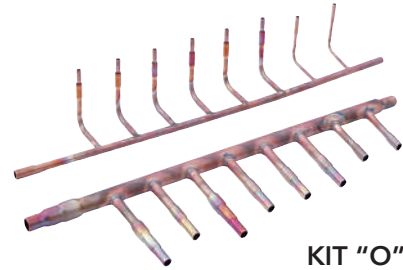


A	710 [mm]				
1	Ø 19,17	3/4"	4	Ø 16,00	5/8"
2	Ø 25,53	1"	5	Ø 12,81	1/2"
3	Ø 28,71	1-1/8"	6	Ø 19,05	

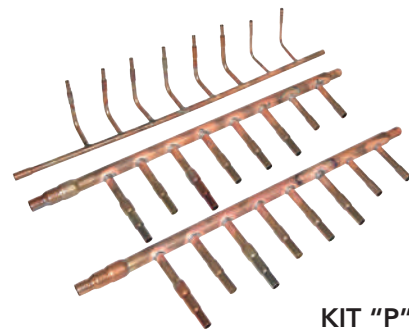
DETAIL 2



a	710 [mm]				
1	Ø 12,81	3/8"	4	Ø 6,46	1/4"
2	Ø 9,64	1/2"			
3	Ø 6,46	1/4"			

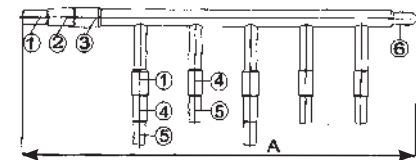


KIT "O"



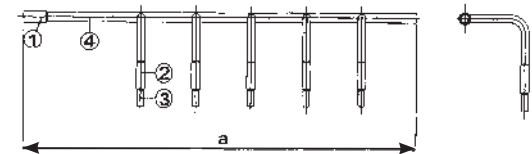
KIT "P"

DETAIL 1

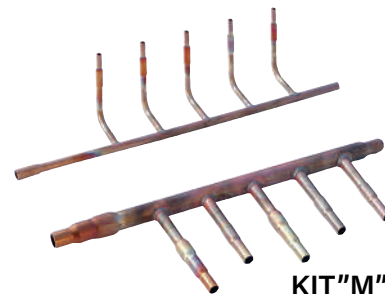


A	500 [mm]				
1	Ø 19,17	3/4"	4	Ø 16,00	5/8"
2	Ø 25,53	1"	5	Ø 12,81	1/2"
3	Ø 28,71	1-1/8"	6	Ø 19,05	

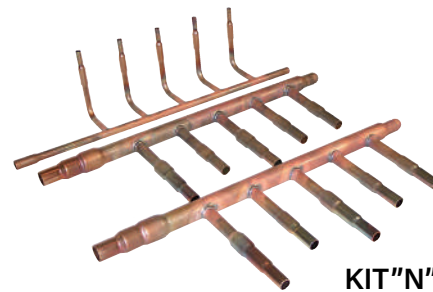
DETAIL 2



a	500 [mm]				
1	Ø 12,81	3/8"	4	Ø 6,46	1/4"
2	Ø 9,64	1/2"			
3	Ø 6,46	1/4"			



KIT "M"



KIT "N"



DOWNLOAD
DATASHEET

CODE	DESCRIPTION
11110530	COPPER MANIFOLDS KIT "M": 2C/5U x 30 kW
11110531	COPPER MANIFOLDS KIT "N": 2C/5U+1C/R x 30 kW (COMPOSED OF 2pcs OF DETAIL 1 AND 1pc OF DETAIL 2)
11110532	COPPER MANIFOLDS KIT "O": 2C/8U X 30 kW
11110533	COPPER MANIFOLDS KIT "P": 2C/8U+1C/R x 30 kW (COMPOSED OF 2pcs OF DETAIL 1 AND 1pc OF DETAIL 2)



BLACK NEOPRENE ADHESIVE STRIP



BANDE ADHÉSIVE EN NEOPRENE NOIR



KLEBEBAND AUS SCHWARZEM NEOPREN

TECHNICAL SPECIFICATIONS

- ANTI-UVA NEOPRENE ADHESIVE
- BLACK COLOUR
- LENGTH 10 M - THICKNESS 3 mm - WIDTH 50~100 mm

CARACTÉRISTIQUES TECHNIQUES

- NÉOPRÈNE ADHÉSIF ANTI-UVA
- COULEUR NOIRE
- LONGUEUR 10 m - ÉPAISSEUR 3 mm - LARGEUR 50~100 mm

TECHNISCHE EIGENSCHAFTEN

- UVA GESCHÜTZTER KLEBER NEOPREN
- SCHWARZ
- LÄNGE 10 m - DICKE 3 mm - BREITE 50~100 mm



DOWNLOAD DATASHEET

CODE	DESCRIPTION
11128006	BLACK NEOPRENE ADHESIVE STRIP 3x100 L.10m
11128005	BLACK NEOPRENE ADHESIVE STRIP 3x50 L.10m



ADHESIVE BAND *TOP LINE*



BANDE ADHÉSIVE *TOP LINE*



KLEBEBAND *TOP LINE*

TECHNICAL SPECIFICATIONS

- CROSS-LINKED CORRUGATED POLYETHYLENE ADHESIVE
- EXTREMELY ANTI-UVA
- IVORY COLOUR
- LENGTH 10 m - THICKNESS 3 mm - WIDTH 50 mm

CARACTÉRISTIQUES TECHNIQUES

- POLYÉTHYLÈNE ANTI-ADHÉSIF RÉTICULÉ ONDULÉ
- EXTRÊMEMENT ANTI-UVA
- COULEUR IVOIRE
- LONGUEUR 10 m - ÉPAISSEUR 3 mm - LARGEUR 50 mm

TECHNISCHE EIGENSCHAFTEN

- VERNETZTER GEWELLTER POLYETHYLEN-KLEBSTOFF
- EXTREM UVA-SCHUTZ
- ELFENBEINFARBEN
- LÄNGE 10 m - DICKE 3 mm - BREITE 50 MM

MADE IN ITALY

TOP LINE



DOWNLOAD DATASHEET

CODE	DESCRIPTION
11128000	TOP LINE ADHESIVE BAND 3x50 L.10m

TECHNICAL SPECIFICATIONS

- ANTI-UVA POLYETHYLENE ADHESIVE
- WHITE COLOUR
- LENGTH 10 m - THICKNESS 3 mm - WIDTH 50 mm

CARACTÉRISTIQUES TECHNIQUES

- POLYÉTHYLÈNE ADHÉSIF ANTI-UVA
- COULEUR BLANC
- LONGUEUR 10 m - ÉPAISSEUR 3 mm - LARGEUR 50 mm

TECHNISCHE EIGENSCHAFTEN

- UVA GESCHÜTZTER KLEBSTOFF POLYETHYLEN
- WEISS
- LÄNGE 10 m - DICKE 3 mm - BREITE 50 mm

 **MADE IN ITALY**

NEW LINE



DOWNLOAD DATASHEET

CODE	DESCRIPTION
N11128000	NEW LINE ADHESIVE BAND 3x50 L.10m

TECHNICAL SPECIFICATIONS

- IDEAL FOR PREVENTING CONDENSATION ON PIPES
- THE PRODUCT DOES NOT REQUIRE THE USE OF ADHESIVES, AS IT ADHERES TO ALL SURFACES AND TO ITSELF
- LENGTH 10 m - THICKNESS 3 mm - WIDTH 50 mm

CARACTÉRISTIQUES TECHNIQUES

- IDÉAL POUR ÉVITER LA CONDENSATION SUR LES TUYAUX
- LE PRODUIT NE NÉCESSITE PAS L'UTILISATION D'ADHÉSIFS CAR IL ADHÈRE SUR TOUTES LES SURFACES ET SUR LUI-MÊME
- LONGUEUR 10 m - ÉPAISSEUR 3 mm - LARGEUR 50 mm

TECHNISCHE EIGENSCHAFTEN

- IDEAL ZUR VERHINDERUNG VON KONDENSATION AN ROHREN
- DAS PRODUKT BENÖTIGT KEINE KLEBSTOFFE, DA ES AUF ALLEN OBERFLÄCHEN UND AUF SICH SELBST HAFTET
- LÄNGE 10 m - DICKE 3 mm - BREITE 50 mm



DOWNLOAD DATASHEET

CODE	DESCRIPTION
11128007	TARRED ADHESIVE STRAP 3x50 L.10m



NON-ADHESIVE PVC COLOURED VINYL STRAP



BANDAGE EN VINYLE COLORÉ EN PVC NON ADHÉSIF



NICHT KLEBENDES PVC-FARBIGES VINYL-BAND

TECHNICAL SPECIFICATIONS

- RECOMMENDED FOR THE PROTECTION OF ALL PIPING AND EXTERIOR INSULATION
- LENGTH FROM 25 TO 50 m, WIDTH 10 cm

CARACTÉRISTIQUES TECHNIQUES

- RECOMMANDÉ POUR LA PROTECTION DE TOUS LES TUYAUX EXTERNES ET L'ISOLATION
- LONGUEUR DE 25 À 50 m, LARGEUR 10 cm

TECHNISCHE EIGENSCHAFTEN

- EMPFOHLEN FÜR DEN SCHUTZ ALLER EXTERNEN ROHRE UND DÄMMUNGEN
- LÄNGE VON 25 BIS 50 m, BREITE 10 cm

CODE	DESCRIPTION
11128030	NON-ADHESIVE PVC WHITE COLOURED VINYL STRAP 25 m x 10 cm
11128035	NON-ADHESIVE PVC WHITE COLOURED VINYL STRAP 50 m x 10 cm
11128040	NON-ADHESIVE PVC GRAY COLOURED VINYL STRAP 25 m x 10 cm
11128045	NON-ADHESIVE PVC GRAY COLOURED VINYL STRAP 50 m x 10 cm
11128050	NON-ADHESIVE PVC RED COLOURED VINYL STRAP 25 m x 10 cm
11128055	NON-ADHESIVE PVC RED COLOURED VINYL STRAP 50 m x 10 cm
11128060	NON-ADHESIVE PVC BLUE COLOURED VINYL STRAP 25 m x 10 cm
11128065	NON-ADHESIVE PVC BLUE COLOURED VINYL STRAP 50 m x 10 cm
11128070	NON-ADHESIVE PVC BLACK COLOURED VINYL STRAP 25 m x 10 cm
11128075	NON-ADHESIVE PVC BLACK COLOURED VINYL STRAP 50 m x 10 cm



DOWNLOAD DATASHEET



NON-ADHESIVE PVC ELASTIC CORRUGATED STRAP



BANDAGE ONDULÉ ÉLASTIQUE EN PVC NON ADHÉSIF



NICHTKLEBENDES ELASTISCHES PVC-WELLBAND

TECHNICAL SPECIFICATIONS

- PVC STRAP 50mm X 25 m , WHITE - GREY
- PROTECTIVE STRAP FOR INSULATED COPPER TUBING FOR INSULATION AND PROTECTION FROM THE ELEMENTS

CARACTÉRISTIQUES TECHNIQUES

- BANDAGE EN PVC DE 50 mm X 25 m - BLANC - GRIS
- BANDAGE DE PROTECTION À APPLIQUER SUR LES TUBES DE CUIVRE ISOLÉS POUR LES ISOLER ET LES PROTÉGER DES ÉLÉMENTS

TECHNISCHE EIGENSCHAFTEN

- 50 mm X 25 m PVC-BAND - WEISS - GRAU
- SCHUTZBAND ZUM AUFBRINGEN AUF GEDÄMMTE KUPFERROHRE, UM SIE ZU ISOLIEREN UND VOR DEN WITTERUNGSEINFLÜSSEN ZU SCHÜTZEN



DOWNLOAD DATASHEET

CODE	DESCRIPTION
11128004W	NON-ADHESIVE WHITE PVC ELASTIC CORRUGATED STRAP 25 x 50 mm
11128004G	NON-ADHESIVE GRAY PVC ELASTIC CORRUGATED STRAP 25 x 50 mm



CAP FOR CLOSING COPPER PIPE



BOUCHON POUR FERMER UN TUBE DE CUIVRE



KAPPE ZUM VERSCHLIESSEN EINES KUPFERROHRES

MADE IN ITALY

CODE	DESCRIPTION
10000014	CAP FOR CLOSING COPPER PIPE 1/4" (PACK OF 50 PCS.)
10000038	CAP FOR CLOSING COPPER PIPE 3/8" (PACK OF 50 PCS.)
10000012	CAP FOR CLOSING COPPER PIPE 1/2" (PACK OF 50 PCS.)
10000058	CAP FOR CLOSING COPPER PIPE 5/8" (PACK OF 50 PCS.)
10000034	CAP FOR CLOSING COPPER PIPE 3/4" (PACK OF 50 PCS.)



DOWNLOAD DATASHEET

SMARTCLIMA INDEX CATALOG 36

CODE	PAGE
10000012	213
10000014	213
10000034	213
10000038	213
10000058	213
11000070	178
11000090	116
11000090X	116
11000092	125
11000092X	126
11000097A	129
11000097KP	125
11000098KP	121
11000600	117
11000900	117
11000910	117
11000930	117
111000001	122
11100003A	130
11100004	135
11100005	134
111000071	116
111000071X	116
11100007A	129
11100008	125
11100008A	130
11100008X	126
11100009	134
111000121	122
111000131	122
111000136	122
111000201	122
11100021	128
111000216	128
11100022	139

CODE	PAGE
11100023	128
11100025	128
11100026	128
11100027	128
11100028	138
11100029	138
11100031	128
11100035	138
11100040	138
11100041	139
11100042	139
11100057	137
11100058	137
11100059	137
11100067	177
11100069	173
11100072	176
11100073	176
11100074	176
11100075	176
11100076	176
11100078	175
111000801	121
111000801GP	124
11100080VI	121
111000811	121
111000811GP	124
11100081VI	121
11100082	126
11100083	126
11100094	41
11100095	40
11100095V	40
11100097	46
11100098	43

CODE	PAGE
11100098V	43
11100100	75
11100100E	75
11100100EU	76
11100100F	73
11100100F3	74
11100100F6	74
11100101	75
11100101E	75
11100101EU	76
11100101F	73
11100101F3	74
11100101F6	74
11100105	75
11100106	46
11100107	47
11100108	47
11100116	39
11100116V	39
11100117	38
11100117V	38
11100119	42
11100119V	42
11100120	45
11100120V	45
11100122	44
11100122V	44
11100125	47
11100130	40-41, 43-45
11100140	46
11100203	181
11100204	181
11100210	182
11100220	181
11105001	161

CODE	PAGE
11105002	163
11105011	161
11105021	161
11105030	161
11105031	163
11105032	163
11105033	163
11105034	163
11105035	165
11105036	165
11105040	175
11105041	175
11105042	175
11105059	171
11105060	169
11105060V	170
11105061	172
11105062	169
11105062V	170
11105064	169
11105064V	170
11105066	169
11105066V	170
11105067	172
11105068	169
11105068V	170
11105069	171
11105070	171
11105071	171
11105072	171
11105073	173
11105080	175
11105085	175
11105090	179
11105110	157

CODE	PAGE
11105120	157
11105130	157
11105140	157
11105250	155
11105260	155
11105270	155
11105280	155
11105290	155
11105300	155
11105310	155
11105320	155
11105330	155
11105340A	150
11105340N	150
11105350A	151
11105350N	151
11105360A	151
11105360N	151
11105361A	151
11105361N	151
11105365	152
11105400	153
11105405	154
11106001	28
11106002	28
11106003	28
11106004	27
11106005	27
11106006	27
11106007	28
11106008	28
11106009	28
11106010	29
11106011	29
11106013	29

CODE	PAGE	CODE	PAGE	CODE	PAGE	CODE	PAGE	CODE	PAGE
11106014	29	11110438	197	11110624	208	11124072	16	11126339	58
11106015	29	11110438W	197	11110630	207	11124100	16	11126340	58
11106019	29	11110438W	197	11110631	207	11124110	13	11126341	58
11106020	29	11110458	197	11110632	207	11124160	13	11126344	48
11106021	29	11110458	197	11110633	207	11124172	13	11126344T	52
11106027	31	11110512	198	11110634	207	11124495	17	11126345	49
11106028	31	11110512W	198	11110635	207	11124500	17	11126346	54
11106029	31	11110514	198	11110636	207	11124505	17	11126346T	53
11106031	31	11110514W	198	11110637	207	11125000	20	11126353	61
11106032	31	11110520	209	11110643	208	11125010	20	11126354	61
11106033	31	11110521	209	11110646	208	11125015	20	11126355	61
11106034	33	11110524	209	11110650	208	11125016	19	11126359	61
11106035	32	11110530	210	11110656	208	11125017	19	11126361	60
11106036	32	11110531	210	11120010	11	11125018	19	11126362	60
11106037	32	11110532	210	11120060	11	11126000	56	11126365	56
11106038	32	11110533	210	11120072	11	11126001	56	11126391	63
11106039	32	11110534	198	11120100	14	11126002	56	11126392	63
11106040	32	11110538	198	11120160	14	11126003	56	11126393	63
11106041	33	11110538W	198	11120172	14	11126004	60	11126394	63
11106042	33	11110558	198	11120210	15	11126008	71	11126395	63
11106043	33	11110596	206	11120260	15	11126010	56	11126396	63
11106044	33	11110597	207	11120272	15	11126020	57	11127993	202
11110012	199	11110598	207	11121060	15	11126022	57	11127994	202
11110012W	199	11110599	208	11121072	15	11126030	57	11127995	202
11110038	199	11110600	206	11121100	15	11126032	57	11127996	202
11110038W	199	11110601	206	11121110	14	11126040	58	11127997	202
11110058	199	11110602	206	11121111	14	11126042	58	11127998	202
11110058W	199	11110603	206	11122002	19	11126052	58	11127999	202
11110065	199	11110604	206	11122060	16	11126309	71	11128000	211
11110065W	199	11110605	206	11122072	16	11126310	63	11128004G	213
11110068	199	11110606	207	11122100	16	11126311	63	11128004W	213
11110068W	199	11110607	207	11122110	14	11126313	63	11128005	211
11110108	199	11110608	207	11122120	14	11126314	63	11128006	211
11110108W	199	11110609	207	11122130	14	11126315	62, 64	11128007	212
11110158	199	11110610	207	11122140	16	11126316	50	11128010	191
11110158W	199	11110611	207	11122150	16	11126317	63	11128030	213
11110412	197	11110612	208	11122160	16	11126318	71	11128035	213
11110412	197	11110613	208	11122180	18	11126320	51	11128040	213
11110412W	197	11110614	208	11122190	18	11126321	70	11128045	213
11110412W	197	11110615	208	11123060	17	11126322	70	11128050	213
11110414	197	11110616	208	11123072	17	11126322B	67	11128055	213
11110414	197	11110617	208	11123080	17	11126324	62	11128060	213
11110414W	197	11110618	206	11123100	17	11126326	55	11128065	213
11110414W	197	11110619	207	11123105	17	111263268	55	11128070	213
11110434	197	11110620	208	11123110	15	11126327	55	11128075	213
11110434	197	11110622	206	11123111	15	111263274	55	11130062	24
11110438	197	11110623	207	11124060	16	11126328	55	11130075	24

CODE	PAGE	CODE	PAGE	CODE	PAGE	CODE	PAGE	CODE	PAGE
11130100	24	12170032	98	12170151	111	E11123072	17	N11122150	16
11132199	195	12170036	83	12170155	112	E11123080	17	N11122160	16
11132199G	194	12170037	83	12170160	112	E11123100	17	N11122170	18
11135051	208	12170037G	88	12170200	98	E11123105	17	N11122180	18
11135053	208	12170038	83	12170210	98	E11123110	15	N11122190	18
11135054	208	12170039	85	12170300	91	E11123111	15	N11123060	17
11135055	208	12170040	85	12170310	91	E11124060	16	N11123072	17
11135056	208	12170041	111	12170320	91	E11124072	16	N11123080	17
11135057	208	12170042	109	12170330	91	E11124100	16	N11123100	17
11135058	208	12170043	113	B-11130062	23	E11124110	13	N11123105	17
11135059	208	12170043H	113	B-11130075	23	E11124160	13	N11123110	15
11135060	208	12170044	113	B-11130100	23	E11124172	13	N11123111	15
11135101	208	12170046	83	B-E11120010	10	E11124495	17	N11124060	16
11135102	208	12170047	111	B-E11120060	10	E11124500	17	N11124072	16
11135103	208	12170048	113	B-E11120072	10	E11124505	17	N11124100	16
11135104	208	12170052	113	B-N11120010	10	KIT87	52, 57	N11124110	13
11135105	208	12170055	109	B-N11120060	10	KIT88	53, 57	N11124160	13
11135109	208	12170064	113	B-N11120072	10	N11110012	200	N11124172	13
11135121	209	12170066	113	E111100128	201	N11110038	200	N11124495	17
11135122	209	12170070	107	E111100388	201	N11110412	197	N11124500	17
11135123	209	12170071	107	E11120010	11	N11110414	197	N11124505	17
11135124	209	12170076	108	E11120060	11	N11110438	197	N11128000	212
11135125	209	12170077	108	E11120072	11	N11120010	11	R11110003	202
11135126	209	12170078	83	E11120100	14	N11120060	11	R11110004	202
11135127	209	12170079	83	E11120160	14	N11120072	11	R11110005	202
11161930	193	12170086	108	E11120172	14	N11120100	14	R11110006	202
11161940	193	12170087	108	E11120210	15	N11120160	14	R11110007	202
12000005	184	12170088	108	E11120260	15	N11120172	14	R11110008	202
12000006	184	12170089	108	E11120272	15	N11120210	15	R11110009	202
12000007	184	12170090	108	E11121060	15	N11120260	15	R11110010	202
12000008	184	12170091	108	E11121072	15	N11120272	15	R11110012	202
12000009	184	12170092	108	E11121100	15	N11121060	15	RIC00039	98
12000027	190	12170093	83	E11121110	14	N11121072	15	RIC00040	112
12000028	190	12170094	83	E11121111	14	N11121100	15	RIC00041	112
12000036	190	12170095	85	E11122060	16	N11121110	14	RIC00098	112
12000037	190	12170096	85	E11122072	16	N11121111	14	RIC00284	78
12000040	192	12170100	95	E11122100	16	N11122000	18	RIC00285	78
12000041	192	12170100L	95	E11122110	14	N11122001	18	SCC100003	20
12000055	191	12170105	101	E11122120	14	N11122002	19	SCC100004	20
12170011	104	12170106	101	E11122130	14	N11122003	19	SCC300001	71
12170012	104	12170107	101	E11122140	16	N11122060	16	SCC300005	55
12170013	104	12170145	110	E11122150	16	N11122072	16	SCC300006	55
12170014	113	12170146	110	E11122160	16	N11122100	16	SCC300007	58
12170018	113	12170147	110	E11122170	18	N11122110	14	SCC300008	79
12170020	113	12170148	110	E11122180	18	N11122120	14	SCC300009	79
12170027	104	12170149	110	E11122190	18	N11122130	14	SCC300010	79
12170029	113	12170150	110	E11123060	17	N11122140	16	SCC300011	79

CODE	PAGE
SCC300012	79
SCC300013	79
SCC300014	79
SCC300015	79
SCC300016	79
SCC500001	173
SCC500002	173
SCC500003	173
SCC500005	174
SCC500006	174
SCC500007	174
SCC500008	174
SCC500011	180
SCC500012	179
SCC500013	173
SCC500018	177
SCC500019	177
SCC500020	177
SCC500021	177
SCC500022	177
SCC500023	177
SCC500024	177
SCC500025	177
SCC500026	176
SCC500027	176
SCC500028	176
SCC500029	176
SCC500033	178
SCC500034	178
SCC500035	178
SCC600001	184
SCC600002	184
SCC600009	182
SCC600014	195
SCC600015	195
SCC600016	195
SCC600017	195
SCC600021	180
SCC600063	203
SCC600064	203
SCC600065	203
SCC600066	203
SCC600067	203
SCC600068	203
SCC600069	203
SCC600070	203
SCC600071	203

CODE	PAGE
SCC600072	203
SCC600073	203
SCC600074	203
SCC600075	203
SCC600076	203
SCD100006	11
SCD100008	11
SCD100010	13
SCD100011	13
SCD100013	14
SCD100014	14
SCD100016	14
SCD100017	14
SCD100019	14
SCD100021	15
SCD100022	15
SCD100024	15
SCD100026	15
SCD100027	15
SCD100032	16
SCD100033	16
SCD100035	16
SCD100036	16
SCD100038	18
SCD100039	18
SCD100041	17
SCD100042	17
SCD100051	11
SCD100053	11
SCD100055	13
SCD100056	13
SCD100058	14
SCD100059	14
SCD100061	14
SCD100062	14
SCD100064	14
SCD100066	15
SCD100067	15
SCD100069	15
SCD100071	15
SCD100072	15
SCD100077	16
SCD100077	17
SCD100078	16
SCD100078	17
SCD100080	16
SCD100081	16

CODE	PAGE
SCD100083	18
SCD100084	18
SCD100093	30
SCD100094	30
SCD100095	30
SCD100096	30
SCD100097	30
SCD100098	30
SCD100099	12
SCD100100	12
SCD100101	12
SCD100102	26
SCD100103	26
SCD100104	26
SCD100105	25
SCD100106	25
SCD100107	25
SCD100112	28
SCD100113	27
SCD100114	28
SCD100115	29
SCD100116	29
SCD100117	31
SCD100118	31
SCD100119	33
SCD100120	32
SCD100122	19
SCD100123	24
SCD100124	26
SCD100125	25
SCD100126	19
SCD100129	30
SCD100130	30
SCD100134	183
SCD100135	183
SCD100136	24
SCD100137	28
SCD100138	29
SCD100139	29
SCD100140	31
SCD100141	32
SCD100142	28
SCD100143	28
SCD100144	28
SCD100148	24
SCD100149	27
SCD100150	27

CODE	PAGE
SCD100151	27
SCD100152	28
SCD100153	28
SCD100154	28
SCD100155	28
SCD100156	28
SCD100157	28
SCD100158	29
SCD100159	29
SCD100160	29
SCD100161	29
SCD100162	29
SCD100163	29
SCD100164	29
SCD100165	30
SCD100166	30
SCD100167	30
SCD100168	31
SCD100169	31
SCD100170	31
SCD100171	31
SCD100172	31
SCD100173	31
SCD100174	32
SCD100175	32
SCD100176	32
SCD100177	32
SCD100178	32
SCD100179	33
SCD100180	33
SCD100181	33
SCD100182	33
SCD200001	37
SCD200002	36
SCD200003	37
SCD200004	36
SCD200009	47
SCD200010	47
SCD200011	46
SCD200012	46
SCD300001	48
SCD300002	49
SCD300003	54
SCD300004	69
SCD300005	69
SCD300006	69
SCD300007	69

CODE	PAGE
SCD300008	61
SCD300009	61
SCD300010	61
SCD300011	61
SCD300012	61
SCD300013	61
SCD300014	69
SCD300015	61
SCD300017	63
SCD300018	63
SCD300019	63
SCD300020	63
SCD300021	63
SCD300022	63
SCD300023	63
SCD300030	73
SCD300033	62
SCD300034	62
SCD300035	74
SCD300036	74
SCD300037	60
SCD300038	60
SCD300039	60
SCD300040	59
SCD300041	59
SCD300042	59
SCD300043	59
SCD300044	59
SCD300045	59
SCD300046	59
SCD300047	59
SCD300048	59
SCD300050	73
SCD300051	73
SCD300052	73
SCD300053	74
SCD300054	74
SCD300055	74
SCD300056	74
SCD300057	74
SCD300058	74
SCD300059	59
SCD300060	59
SCD3E0001	64
SCD3E0002	65
SCD3E0003	65
SCD3E0004	65

CODE	PAGE	CODE	PAGE	CODE	PAGE	CODE	PAGE	CODE	PAGE
SCD3E0005	63, 65	SCD500053	158	SCD500116	186	SCD500164	189	SCD5E0003	162
SCD3E0006	65	SCD500054	158	SCD500117	118	SCD500165	189	SCD5E0004	162
SCD3E0008	67	SCD500055	158	SCD500118	118	SCD500166	189	SCD5E0005	164
SCD500002	146	SCD500056	158	SCD500119	118	SCD500167	189	SCD5E0006	164
SCD500003	146	SCD500057	158	SCD500120	121	SCD500168	189	SCD5E0007	164
SCD500004	146	SCD500058	158	SCD500121	126	SCD500169	189	SCD5E0008	164
SCD500005	148	SCD500059	158	SCD500122	140	SCD500170	189	SCD5E0009	164
SCD500006	148	SCD500060	158	SCD500123	127	SCD500171	188	SCD5E0010	162
SCD500007	148	SCD500061	159	SCD500124	127	SCD500172	188	SCD600001	191
SCD500008	128	SCD500062	159	SCD500125	127	SCD500173	188	SCD600006	184
SCD500009	128	SCD500063	159	SCD500126	186	SCD500174	188	SCD600007	184
SCD500010	141	SCD500064	133	SCD500127	186	SCD500175	188	SCD600009	198
SCD500011	141	SCD500065	133	SCD500128	186	SCD500176	188	SCD600010	198
SCD500012	142	SCD500070	133	SCD500129	187	SCD500177	188	SCD600011	198
SCD500013	142	SCD500071	169	SCD500130	187	SCD500178	188	SCD600012	198
SCD500014	141	SCD500072	169	SCD500131	187	SCD500180	152	SCD600013	198
SCD500015	141	SCD500073	170	SCD500132	187	SCD500181	152	SCD600014	198
SCD500016	142	SCD500074	170	SCD500133	187	SCD500183	118	SCD600015	197
SCD500017	142	SCD500075	171	SCD500134	187	SCD500184	161	SCD600016	197
SCD500018	141	SCD500076	171	SCD500135	187	SCD500186	143	SCD600017	197
SCD500019	141	SCD500077	172	SCD500136	187	SCD500187	143	SCD600018	197
SCD500020	142	SCD500078	172	SCD500138	187	SCD500188	143	SCD600019	197
SCD500021	142	SCD500079	140	SCD500139	187	SCD500189	143		
SCD500022	128	SCD500080	140	SCD500141	136	SCD500190	143		
SCD500023	128	SCD500081	140	SCD500142	187	SCD500191	143		
SCD500024	153	SCD500082	140	SCD500143	187	SCD500192	127		
SCD500025	147	SCD500083	140	SCD500144	187	SCD500193	120		
SCD500026	147	SCD500084	160	SCD500145	187	SCD500194	120		
SCD500027	147	SCD500085	116	SCD500146	187	SCD500195	120		
SCD500028	148	SCD500086	116	SCD500147	187	SCD500196	120		
SCD500029	148	SCD500087	126	SCD500148	75	SCD500197	120		
SCD500030	148	SCD500088	125	SCD500149	117	SCD500198	120		
SCD500031	76	SCD500090	75	SCD500150	147	SCD500199	120		
SCD500032	76	SCD500091	140	SCD500151	147	SCD500200	120		
SCD500033	76	SCD500101	151	SCD500152	147	SCD500201	119		
SCD500034	77	SCD500102	151	SCD500153	168	SCD500202	119		
SCD500035	77	SCD500103	144	SCD500154	168	SCD500203	119		
SCD500036	77	SCD500104	144	SCD500155	140	SCD500204	119		
SCD500037	77	SCD500105	144	SCD500156	122	SCD500205	119		
SCD500038	77	SCD500106	144	SCD500157	133	SCD500206	119		
SCD500039	77	SCD500107	144	SCD500158	133	SCD500207	119		
SCD500047	149	SCD500108	144	SCD500159	165	SCD500208	119		
SCD500049	149	SCD500109	135	SCD500160	137	SCD500224	145		
SCD500050	149	SCD500113	139	SCD500161	127	SCD500225	145		
SCD500051	149	SCD500114	186	SCD500162	137	SCD5E0001	162		
SCD500052	158	SCD500115	186	SCD500163	189	SCD5E0002	162		

NEW PRODUCT

NOTE

