

**HYGIENE AND  
AIR PURIFICATION**

— **jvd.fr**

**HIGH TECH.  
BEDECK.  
EFFECTS.**



# MADE IN FRANCE, RESPONSIBLY & SUSTAINABLY

Stylish products for any professional, eco-designed to last and last... Each and every day at JVD, we delight in proving that aesthetics, performance and sustainable quality are perfectly compatible. JVD: we're all about progress.

As hygiene experts for more than 35 years now, we have developed unique skills that allow us to meet the specific constraints of any company. Thanks to our in-house Engineering Department and R&D Team, we are able to conceptualise, design, develop and test products that are a perfect fit for the place and the space where

they will be used. Innovation, design and industrial expertise: we only manufacture the equipment you need.



JVD is a French company and a leading designer and manufacturer of hygiene and hotel equipment and solutions.

Based in Nantes, in the west of France, we have a foothold in more than 100 countries around the world.



SHIELD COMPACT® — REF 8 77 2134-BL

# PROFESSIONAL-GRADE AIR PURIFIERS

A REFINED STYLE, NATURALLY

For people's health and comfort, and also as a treat for the eyes, we devised a range of professional-grade air purifiers fitted with unique, patented technology. Not only do they deliver perfectly clean, healthy air by stripping away all the different nuisances that can occur in the air (odours, allergens, pollutants and contaminants), but they also look great wherever they may be installed.

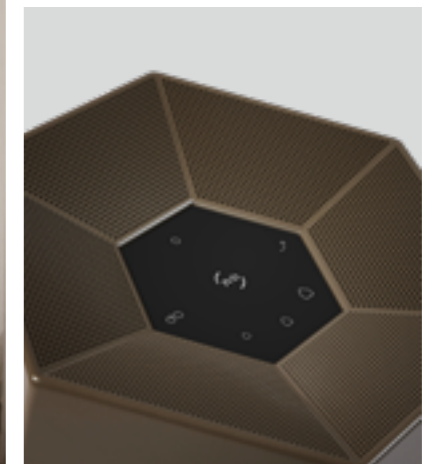
A range of air purifiers designed by Ramy Fischler and winner of the Janus de l'Industrie 2021 award.



SHIELD® — REF 8 77 2127-WH



SHIELD COMPACT® — REF 8 77 2134-WH





COPTAIR — REF 8 11 1168

## HAND DRYERS

EXPERIENCE THAT'S ALWAYS ON TREND

All our hand dryers reap the benefits of JVD's unique experience: **40 years devoted to developing solutions** that satisfy complicated technical requirements like drying industrial parts and use in harsh settings. Which is why we created our hand dryers to be effective of course, but also to use very little energy, be easy to maintain, and preserve our forests and our environment.

MADE IN FRANCE



COPTAIR — REF 8 11 1377



COPTAIR — REF 8 11 1790

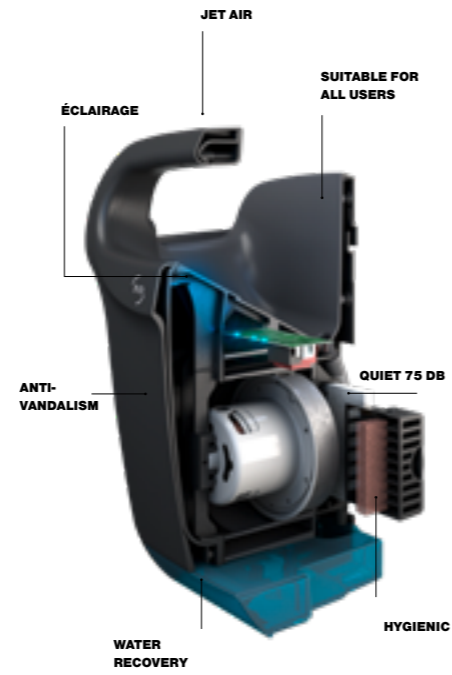


COPTAIR — REF 8 11 1167

## HYGIENE & AIR PURIFICATION

Designed and manufactured in France, our Exp'air hand dryers offer a useful combination of technologies. Each component has been crafted and chosen to provide optimal results for anyone, including people with mobility issues and very small children.

MADE IN FRANCE



EXP'AIR — REF 8 11 791

## HYGIENE & AIR PURIFICATION



EXP'AIR — REF 8 11 1376



YALISS SOAP DISPENSER — REF 8 44 2104

REF 8 99 2114

STAINLESS STEEL BIN

REF 8 99 2102

YALISS PAPER TOWEL DISPENSER

# DISPENSERS

A FLAIR FOR UNIVERSALITY

All our dispensers – delivering everything from paper products to soap – feature a subtle, contemporary design that emphasises ergonomics. In addition, they have the elegance of being universal, meaning they're compatible with any brand of consumables.

MADE IN FRANCE



YALISS SOAP DISPENSER — REF 8 44 2104



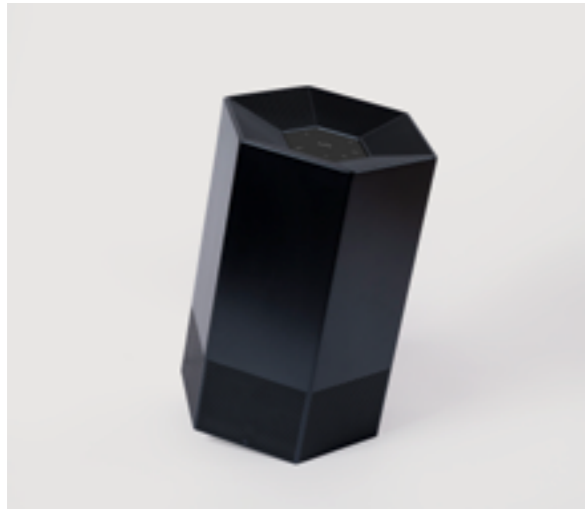
YALISS SOAP DISPENSER — REF 8 44 1765

REF 8 99 1792

YALISS ZIG-ZAG

## PROFESSIONNAL AIR PURIFIERS

PAGES 4 & 5



Shield®

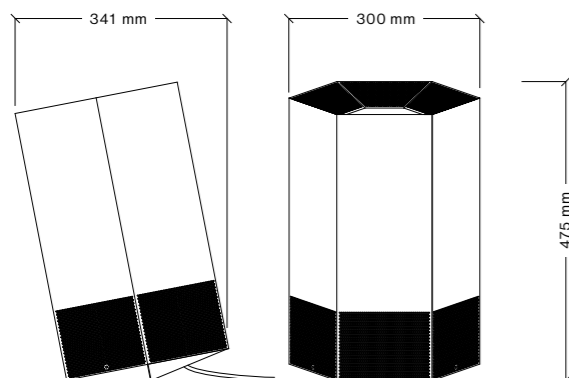
FOR YOUR HEALTH



CHARACTERISTICS

Purification area: 20-60 m<sup>2</sup>  
 2 operating modes: Continuous / Boost  
 Min/max noise level: 38/68 dB  
 Power supply: 200-240 V  
 Max power: 85 W  
 Cover material: epoxy steel  
 Max air flow: 400 m<sup>3</sup>/hr  
 Core replacement (ref. 8 77 2130) recommended every three years  
 Weight: 8.75 kg

Matte Black: REF 8 77 2127-BK  
 Cream White: REF 8 77 2127 - WH  
 Malachite Green: REF 8 77 2127-GR  
 Sapphire Blue: REF 8 77 2127-BL



PAGES 4 & 5

Shield®  
 COMPACT

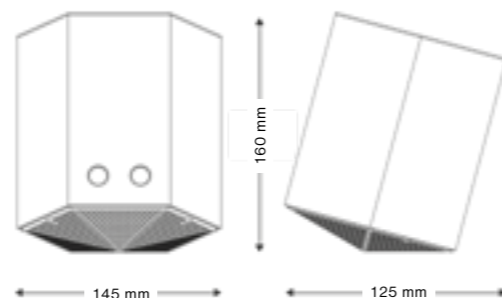
PURE, CLEAN AIR



CHARACTERISTICS

Purification area: up to 20 m<sup>2</sup>  
 2 operating modes: Continuous / Boost  
 Cover material: anodised aluminium  
 Power: 22 W  
 Supply voltage: 12V DC  
 Electrical insulation: Class III  
 Weight: 805 grams  
 Filter replacement (REF. 5 90 2948) recommended every year  
 Optional wall mount (REF. 2 90 3068)  
 Universal anti-theft system (REF. 2 10 2097)

Matte Black: REF 8 77 2134-BK  
 Cream White: REF 8 77 2134-WH  
 Malachite Green: REF 8 77 2134-GR  
 Sapphire Blue: REF 8 77 2134-BL



## HAND DRYERS

PAGES 6 & 7



COPT'AIR

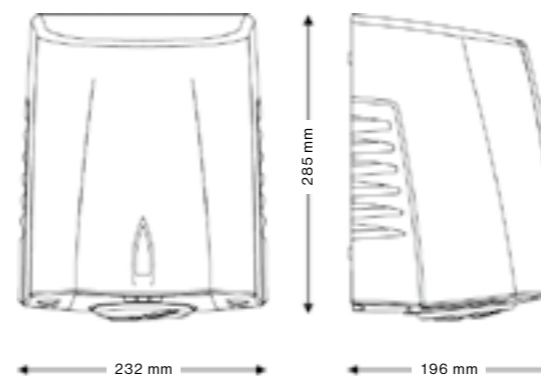
ECOCONCEPTION



CHARACTERISTICS

Drying time: 10-15 seconds  
 Usage: high  
 Noise level: 80 dB  
 Anti-vandalism: IK10 aluminium cover  
 Stainless Steel cover  
 Illuminated drying zone  
 Rated power: 600 W  
 Power supply: 220-240 V - 50 Hz  
 CE - Class II - IP24  
 Dim.: 232 (L) x 285 (H) x 194 (D) mm

Black: REF 8 11 1377  
 White: REF 8 11 1167  
 Stainless Steel: REF 8 11 1790  
 Grey: REF 8 11 1168



PAGES 8 & 9



EXP'AIR

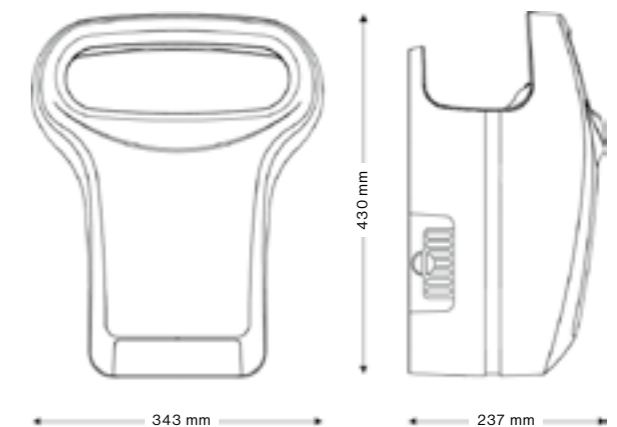
ECOCONCEPTION



CHARACTERISTICS

Drying time: 10-15 seconds  
 Usage: high  
 Noise level: 75 dB  
 Anti-vandalism: aluminium cover  
 Illuminated drying zone  
 Bactericidal copper filter included  
 Rated power: 800 W  
 Power supply: 230 V - 50 Hz  
 CE - Class II - IP44  
 Dim.: 343 (L) x 430 (H) x 237 (D) mm

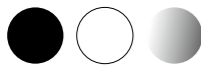
Black: REF 8 11 1376  
 White: REF 8 11 791  
 Stainless steel:  
 Grey: REF 8 11 822



# DISTRIBUTEURS



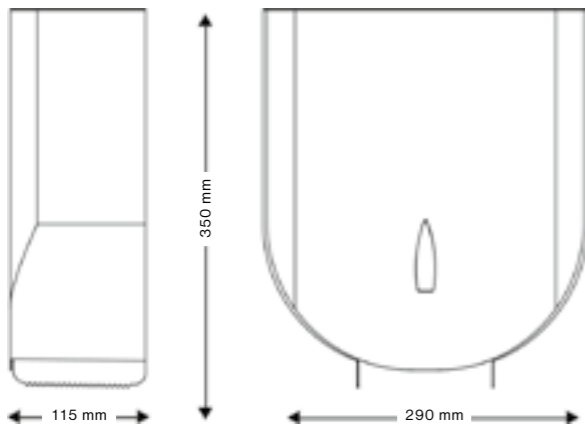
## YALISS JUMBO 400



CHARACTERISTICS

ABS cover - Grey ABS frame  
 (including 50% recycled plastic)  
 Capacity: 200 / 400 m roll  
 Core: Ø 45 mm  
 Paper level indicator  
 4 mounting points  
 Dim.: 285 (L) x 320 (H) x 120 (D) mm

Black: REF 8 99 1381  
 White: REF 8 99 602  
 Grey: REF 8 99 734



PAGES 10 & 11

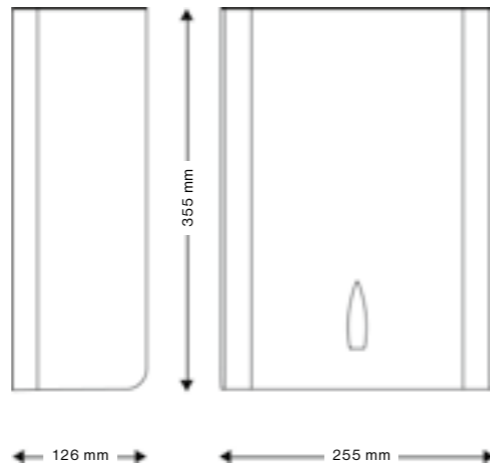
## YALISS ZIG-ZAG



CHARACTERISTICS

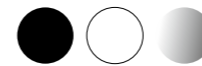
ABS cover - Grey ABS frame  
 (including 50% recycled plastic)  
 Capacity: 400-600 paper towels  
 Paper level indicator  
 4 mounting points  
 Dim.: 265 (L) x 340 (H) x 110 (D) mm

Black: REF 8 99 1382  
 White: REF 8 99 604  
 Grey: REF 8 99 733



PAGES 10 & 11

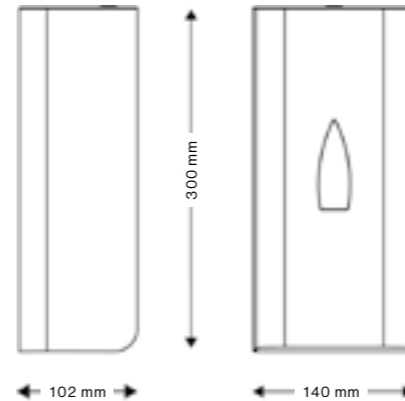
## YALISS SAOP DISPENSER



CHARACTERISTICS

Capacity: 1000 mL  
 Automatically shuts off when the cover is opened  
 Removable container for easier cleaning  
 Large opening for level indicator  
 Flow: 1 mL per dose (gel)  
 Material: 304 Stainless Steel or ABS  
 Power supply: 4 LR14 (C, 1.5 V)  
 Meets HACCP requirement  
 Dim.: 157 (L) x 295 (H) x 106 (D) mm

Black: REF 8 44 1765  
 White: REF 8 44 1448  
 Stainless Steel: REF 8 44 2104



PAGES 10 & 11

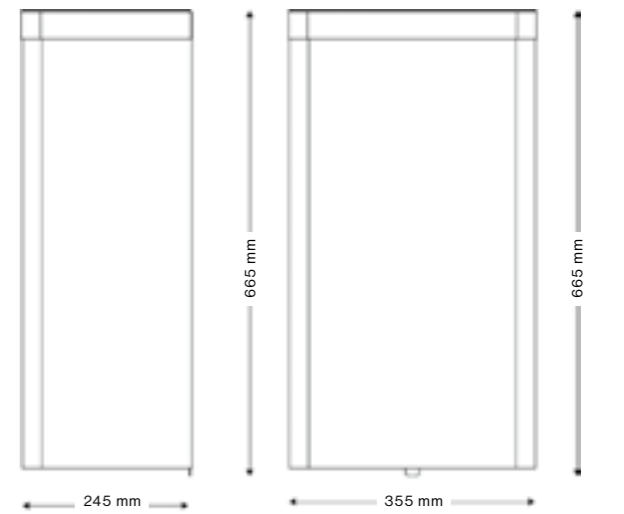
## STAINLESS STEEL BIN



CHARACTERISTICS

Anti-vandalism (304 Stainless Steel)  
 Wall fixation  
 Easy to clean  
 Integrated bag holder  
 Material: 304 Stainless Steel  
 Capacity: 60 L  
 Dim. (20 L): 335 (L) x 245 (D) x 665 (H) mm

Stainless Steel: REF 8 99 2114







**JVD FRANCE**  
3, rue des Brèches  
44 406 REZÉ CEDEX  
+33(0)2 40 75 98 20  
jvdfrance@jvd.fr

