



DIVISION 7



YOUR ONE SOURCE FOR STANDING SEAM METAL ROOF & WALL SOLUTIONS

- ⦿ Engineered Metal Roof & Wall Systems
- ⦿ Specialty Coil & Sheet Products
- ⦿ Rollforming Equipment
- ⦿ Architectural Support
- ⦿ Weathertight Warranties
- ⦿ Accessories & Components

WHY SHEFFIELD METALS?

Sheffield Metals International (SMI) is a leader in the distribution of coated and bare metal products, as well as Engineered Standing Seam Metal Roof and Wall Systems (**noted with an E in section headings**). We specialize in providing painted Galvalume® and aluminum for the architecturally driven metal panel industry.

Sheffield Metals utilizes manufacturers of our metal roof and wall systems throughout the country. We are able to provide the complete package and support our customers continually throughout the most complicated projects.



SHEFFIELD METALS OPERATES OUT OF SEVEN FACILITIES:

- Atlanta, Georgia
- Chicago, Illinois
- Cleveland, Ohio
- Dallas, Texas
- Denver, Colorado
- Los Angeles, California
- Tampa, Florida

Sheffield Metals has you covered from coast to coast!

SMI PROVIDES:

More than 50 colors continuously stocked in Galvalume® and many popular colors in aluminum sheet and coil

Color matching for virtually any custom color

Value-added services: slitting, cut-to-length, applying strippable PVC, and re-rolling

Service to the entire geographic United States, including Alaska, Hawaii, and the Caribbean

Products that meet CRRC or LEED requirements

Galvalume® and aluminum products for LEED sustainability and beyond

Full-time, in-house Technical and Architectural Departments

Transferrable 40-year PVDF paint, 40-year SMP and optional 5- to 35-year weathertight warranties

WARRANTIES & LEAD TIMES



PREMIUM QUALITY

Our engineered systems have been designed to meet current industry standards and can perform on projects small or large no matter the performance requirements.

INDUSTRY-LEADING WARRANTIES

Guarantee the longevity of your metal roof or wall system with our various paint, substrate, and weathertight warranty options.

50+ COLORS

Sheffield Metals stocks over 50 colors of metal roofing and siding materials, enabling customers to satisfy their aesthetic preferences and project requirements.

Sheffield Metals knows that your roof not only protects your family or business, but also keeps your most valuable and often irreplaceable assets safe. That's why we work closely with our chain of suppliers to ensure that we are able to continually offer the best products available.

To complement our metal roof and wall systems, we offer 40-year paint finish warranties for both PVDF and SMP coatings, substrate warranties for AZ55 and AZ50 Galvalume® products, and Limited and No Dollar Limit weathertight

warranties with standard timeframes starting at 5 years through 35 years. All warranty projects are coordinated through our in-house Technical Department, who ensure that all applicable requirements are met and inspect each project personally. Our use of knowledgeable contractors, time tested installation details, and close company involvement deliver the highest quality installation available.

Our warranties are fully transferable and designed to offer comprehensive protection to fit any budget or criteria.



Contact a Sheffield representative today to learn more about a warranty that's right for you.

PANEL PROFILE QUICK COMPARISON

								
	SMI 1.0 FF	SMI 1.0 MS	SMI 1.5 FF	SMI 1.5 MS	SMI 1.5 SL 450	SMI 1.5 SL 450+	SMI 1.5 SL 550	SMI 1.75 SL
Cutsheet	✓	✓	✓	✓	✓	✓	✓	✓
ManuSpec's	✓	✓		✓	✓	✓	✓	✓
Uplift Tests		✓		✓	✓		✓	✓
UL 90 (only)	✓			✓	✓	✓	✓	✓
Air Infiltration				✓			✓	✓
Water Penetration				✓			✓	✓
Water Submersion				✓				
Foot Traffic								
UL 2218	✓			✓	✓	✓	✓	✓
WTW		✓		✓	✓	✓	✓	✓
Paint Warranties	✓	✓	✓	✓	✓	✓	✓	✓
Details	✓	✓		✓	✓	✓	✓	✓
Engineered System				✓			✓	✓
Aluminum Engineering				✓			✓	✓

								
	SMI 2.0 MS	SMI 2.0 SCH MS	SMI 2.0 MS A	SMI BOARD & BATTEN	SMI WAV	SMI 1.0 FWP	SMI 1.0 FWP WITH HEM	SMI 1.5 FWP WITH HEM
Cutsheet	✓	✓	✓	✓	✓	✓	✓	✓
ManuSpec's	✓	✓			✓	✓	✓	
Uplift Tests	✓	✓		✓	✓	✓	✓	
UL 90 (only)	✓	✓	✓					
Air Infiltration	✓	✓			✓	✓	✓	
Water Penetration	✓	✓			✓	✓	✓	
Water Submersion	✓	✓						
Foot Traffic	✓							
UL 2218	✓		✓					
WTW	✓	✓	✓			✓	✓	
Paint Warranties	✓	✓	✓		✓	✓	✓	✓
Details	✓	✓				✓	✓	
Engineered System	✓	✓			✓	✓	✓	
Aluminum Engineering	✓							

PAINT, SUBSTRATE, AND WEATHERTIGHT WARRANTIES

At Sheffield Metals, we take our warranties seriously, especially when it comes to something as important as the integrity of the metal roof and wall systems that utilize our metal products.

That's why we've invested time and money into testing our products to ensure that we meet or exceed the terms of the warranties we offer. Sheffield Metals offers paint, substrate, and weathertight warranties in various durations to ensure that your projects stand the test of time.

A paint warranty is a guarantee from a manufacturer/paint supplier that the paint system applied to the metal substrate will not degrade to a certain degree within a specific time frame. Warranties on substrates guarantee that the base metal (that a paint system is applied to) will not corrode due to rupture, fail structurally, or perforate within the specified terms when exposed to normal atmospheric conditions. Weathertight warranties guarantee from the installer and roofing manufacturer that the roof installed on a commercial structure will remain weathertight for the duration of the warranty.



OUR PAINT WARRANTIES

- 40-Year PVDF (Kynar®) Paint
- 40-Year WeatherX Paint
- 35-Year Weathered Series Paint
- 25-Year Coastal PVDF (Kynar®) Paint
- 20-Year Caribbean PVDF (Kynar®) Paint

OUR SUBSTRATE WARRANTIES

- 50-Year AZ50 Galvalume®
- 45-Year AZ55 Acrylic-Coated Galvalume®

OUR WEATHERTIGHT WARRANTIES

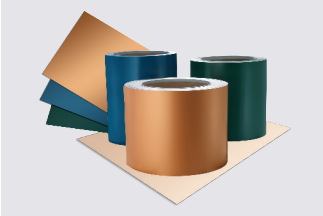
- 5-Year Limited & No Dollar Limit
- 10-Year Limited & No Dollar Limit
- 15-Year Limited & No Dollar Limit
- 20-Year Limited & No Dollar Limit
- 25-Year Limited & No Dollar Limit
- 30-Year Limited & No Dollar Limit
- 35-Year Limited & No Dollar Limit

PRODUCTS



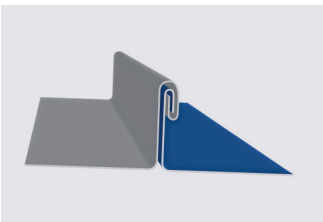
COOLR®

COOLR® is a family of sustainable, energy efficient roofing products which meet LEED v4.1 compliance with many of our paint finishes. COOLR® is available in a wide variety of colors, gauges, widths, and substrates for low and steep slope applications.



ARCHITECTURAL SHEET METAL

Sheffield Metals is a leader in the distribution of coated coil and sheet products for the metal roofing, walls, and architectural sheet metal industry. Our architectural metal products are produced from full prime Galvalume®, Acrylic Coated Galvalume®, and Aluminum substrates. Our products are coated with Valspar's Fluropon, a high performance Kynar 500® or Hylar 5000® based resin coating. Sheffield Metals stocks more than 50 colors and has the ability to custom paint virtually any color to suit a particular project.



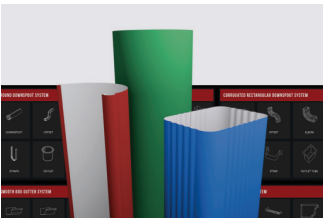
ENGINEERED METAL ROOF & WALL SYSTEMS

Whether your project is residential or commercial, solid substrate or open framing, Sheffield Metals offers a complete line of Engineered Standing Seam Metal Roof and Wall Systems and related accessories to meet your needs. With panel profiles meeting industry standards, let Sheffield Metals provide you with a quality product that's been tested to last. We offer FBC and TDI approved profiles as well.



COMPONENTS & ACCESSORIES

Sheffield Metals offers a complete line of accessories that are incorporated into your architectural and engineered metal roofing systems. We stock underlayment, sealant, butyl tape, clips, corrosion resistant and painted fasteners to match all of our finishes at our locations.



COMMERCIAL ROOF GUTTER & DOWNSPOUT PRODUCTS

We offer a complete line of commercial roof drainage systems from Roof Drainage Accessories & Components, Inc. With more than 2,500 components and accessories, our systems are custom made per customer specifications in over 200 colors and 16 different material substrates.



ROLLFORMERS & SHEET METAL FABRICATION EQUIPMENT

Sheffield Metals is also a trusted distributor of several sheet metal manufacturing machines, including portable rollforming machines by New Tech Machinery (NTM), as well as hydraulic shears and folders. NTM's portable roof panel, wall panel, and gutter machines are recognized as the world's finest portable rollformers. Sheffield Metals' coils are compatible with New Tech Machinery equipment and produce outstanding finished panels.

SERVICES



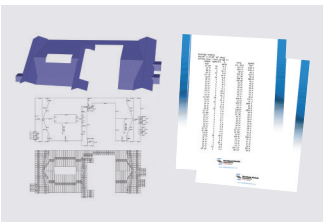
ARCHITECTURAL DEPARTMENT

Our Architectural Department is here to assist you as you move your clients through the design process. This may include choosing the appropriate standing seam profile and accompanying deck assembly, to reviewing your project drawings at any stage to confirm that our panel's capabilities are compliant with the project performance requirements, to guiding you through material choices: Galvalume or aluminum, copper, stainless steel, and zinc. The Technical Department also serves as a resource for any clients who are uncertain about metal and would benefit from a Sheffield-specific presentation.



TECHNICAL DEPARTMENT

We understand your technical needs, which is why we have a full-time Technical Department to assist you with your standing seam metal roofing projects. This team is comprised of individuals who have worked in their respective fields installing, designing, and inspecting metal roof and wall systems.



TAKE-OFF SERVICES

Sheffield Metals offers a high-quality and professional take-off service to make sure you are submitting the most accurate numbers possible. Typical turnaround is 24 to 48 hours. Simply provide us with panel width, digital blueprints /roof plans, and roof pitch! Contact us for requirements if no digital drawings are available.



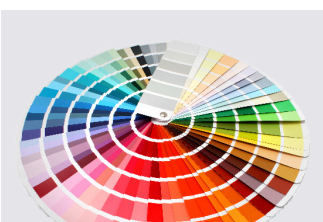
SMI TECH STICK

Our Tech Stick offers contractors, architects, and specifiers easy access to all of our engineering reports, product information, manspecs, take-off services, and more. The Tech Stick simplifies the submittal process for contractors and helps streamline the design. All of this is available without a log-in on the Tech Stick and our website.



CONTINUING EDUCATION COURSES

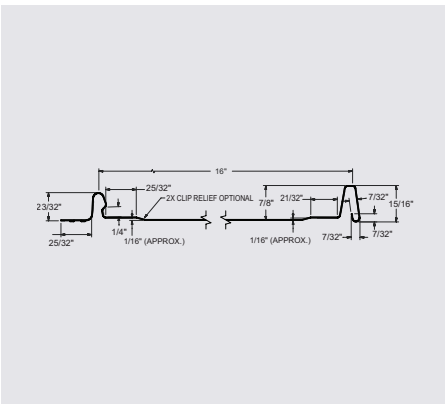
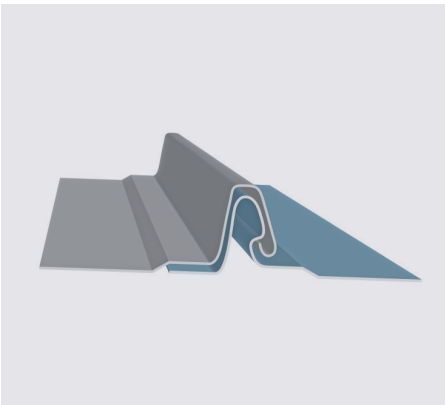
Our CE program is available via face-to-face presentations, virtual webinars, or as an e-learning experience on our website. We offer one-hour programs, as well as a selection of six 15-minute nano courses, providing multiple options for those interested in furthering their knowledge of architectural metal: the materials, the exterior cladding applications, and affirming metal's sustainable qualities.



COLOR VISUALIZER

The Sheffield Metals Color Visualizer allows you to create detailed digital mock-ups of roofing, wall, and trim projects. You can choose from one of the sample pictures provided in the tool, or upload a photo of your actual home, business, or building. From there, select from a wide variety of Sheffield Metals' product options, including seam types, profiles, thicknesses, and colors, and apply each one to the defined roof, wall, and trim areas of the photo.

SMI 1.0" FF SNAPLOCK PANEL PROFILE



PANEL INFORMATION

Panel Type	Standing Seam
Panel Seam	SnapLock
Panel Width	16"
Seam Height	1.0"
Panel Material	22 ga—24 ga min.
Panel Surface	Smooth / Embossed Optional
Panel Clip	None
Minimum Slope	3/12
Substrate	Plywood

PANEL TESTING

Uplift Resistance	UL 90
Hail Rating	Class 4 Impact UL 2218
Fire Rating	UL Class A
Texas Department of Insurance Approval	RC-560

PANEL NOTES

With this 24 GA, 16" wide panel, you may opt to use heavier gauge coil and narrower width panels. Fastener spacing will not change.

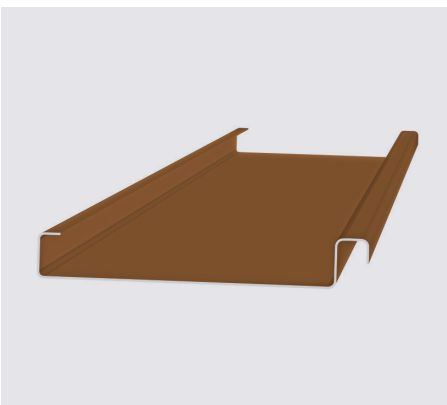
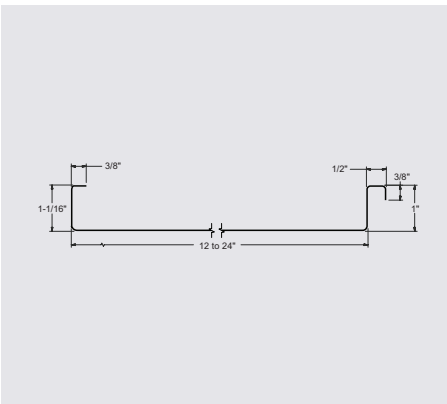
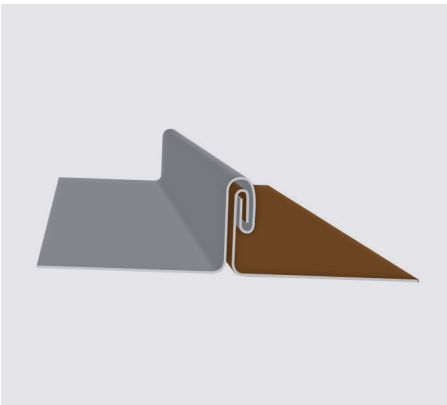
This panel uses a 20" coil. Maximum width coil of 24".

This panel uses 4-1/16" of material to form the panel.

Divide the coil width by the panel width to determine your roof multiplier. Take the square footage of the roof and multiply that by the roof multiplier to determine the amount of coil needed to manufacture the panels. This does not include estimated waste.

This panel is NOT approved for Weathertight Warranties.

SMI 1.0" MECHANICAL SEAM PANEL PROFILE



PANEL INFORMATION

Panel Type	Standing Seam
Panel Seam	Mechanical
Panel Width	17"
Seam Height	1.0"
Panel Material	22 ga–24 ga min
Panel Surface	Smooth / Embossed Optional
Minimum Slope	3/12

PANEL TESTING

Uplift Resistance	UL 580, UL 1897, UL 90
Hail Rating	Class 4 Impact UL 2218
Fire Rating	UL Class A
FBC Non-HVHZ Approval	FL18316

PANEL NOTES

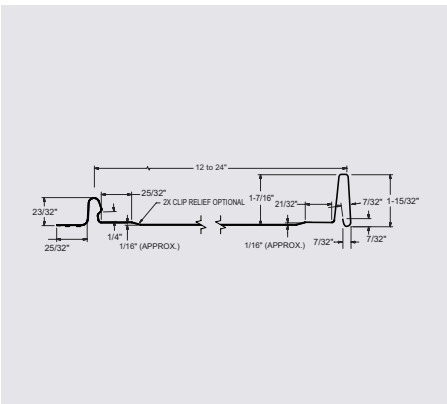
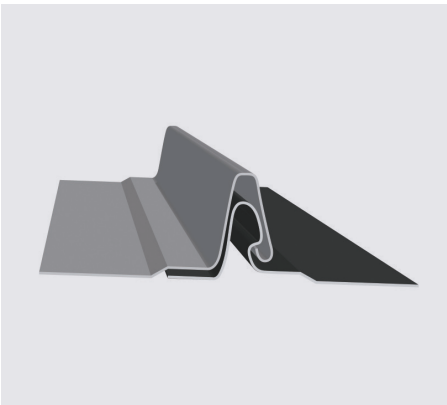
This panel uses a 20" coil. Maximum width coil of 20".

This panel uses 3" of material to form the panel.

Divide the coil width by the panel width to determine your roof multiplier. Take the square footage of the roof and multiply that by the roof multiplier to determine the amount of coil needed to manufacture the panels. This does not include estimated waste.

Suitable for zinc and copper.

SMI 1.5" FF SNAPLOCK PANEL PROFILE



PANEL INFORMATION

Panel Type	Standing Seam
Panel Seam	SnapLock
Panel Width	14.75"
Seam Height	1.5"
Panel Material	22 ga–24 ga min
Panel Surface	Smooth / Embossed Optional
Panel Clip	None
Minimum Slope	3/12
Substrate	Plywood

PANEL NOTES

This panel uses a 20" coil.

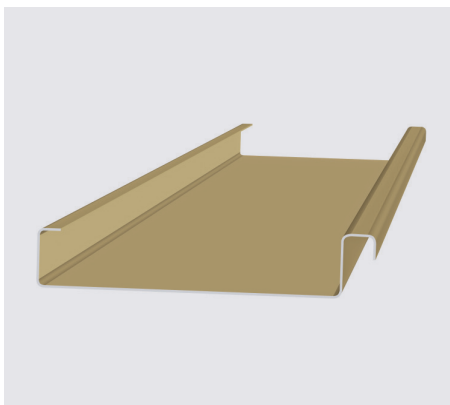
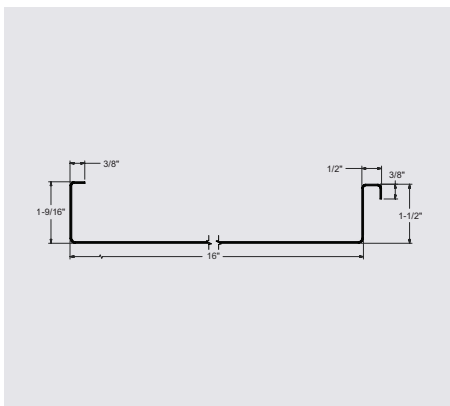
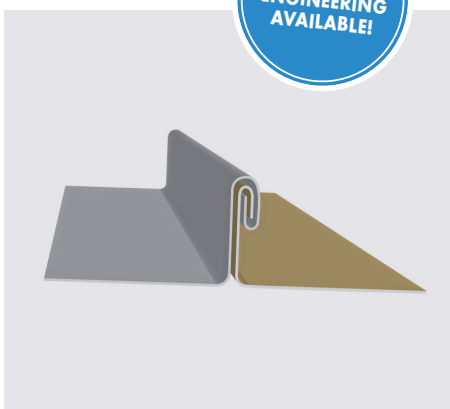
This panel uses 5-5/16" of material to form the panel.

Divide the coil width by the panel width to determine your roof multiplier. Take the square footage of the roof and multiply that by the roof multiplier to determine the amount of coil needed to manufacture the panels. This does not include estimated waste.

This panel is NOT approved for Weathertight Warranties.

PANEL TESTING

Hail Rating	Class 4 Impact UL 2218
Fire Rating	UL Class A



PANEL INFORMATION

Panel Type	Standing Seam
Panel Seam	Mechanical
Panel Width	16"
Seam Height	1.5"
Panel Material	22 ga–24 ga min, .032–.040
Panel Surface	Smooth / Embossed Optional
Panel Clip	Required Per Engineering
Minimum Slope	2/12
Substrate	Plywood, B-Deck, B-Deck w/ISO

PANEL TESTING

Uplift Resistance	UL 580, UL 1897, UL 90
Air Infiltration	ASTM E 1680
Wind Driven Rain	TAS 100
Water Penetration	ASTM E 1646
Water Submersion	ASTM E 2140
Hail Rating	Class 4 Impact UL 2218
Fire Rating	UL Class A
Texas Department of Insurance Approval	RC-386*, RC-395*, RC-397*
FBC HVHZ & Non-HVHZ Approval	FL18316

PANEL NOTES

With this panel engineering, you may opt to use heavier gauge coil and narrower width panels. Clip spacing will not change.

For slopes lower than a 2/12 roof pitch, contact SMI Technical Department for further installation direction and requirements.

This panel uses a 20" coil. Maximum width coil of 20".

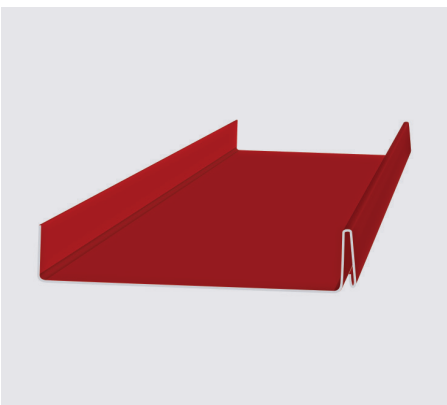
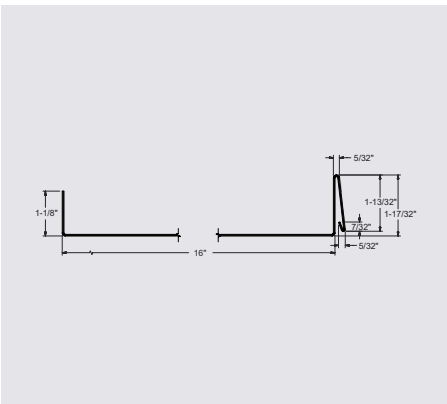
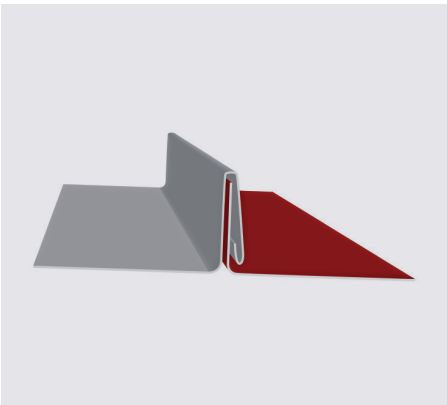
This panel uses 4" of material to form the panel.

Divide the coil width by the panel width to determine your roof multiplier. Take the square footage of the roof and multiply that by the roof multiplier to determine the amount of coil needed to manufacture the panels. This does not include estimated waste.

This panel is approved for Weathertight Warranties.

* Available in steel only.

SMI 1.5" SNAPLOCK 450 PANEL PROFILE



PANEL INFORMATION

Panel Type	Standing Seam
Panel Seam	SnapLock
Panel Width	16"
Seam Height	1.5"
Panel Material	22 ga—24 ga min.
Panel Surface	Smooth / Embossed Optional
Panel Clip	Required Per Engineering
Minimum Slope	3/12
Substrate	Plywood

PANEL TESTING

Uplift Resistance	UL 580, UL 1897, UL 90
Hail Rating	Class 4 Impact UL 2218
Fire Rating	UL Class A
Texas Department of Insurance Approval	RC-561
FBC Non-HVHZ Approval	FL18316

PANEL NOTES

With this 24 GA, 16" wide panel engineering, you may opt to use heavier gauge coil and narrower width panels. Clip spacing will not change.

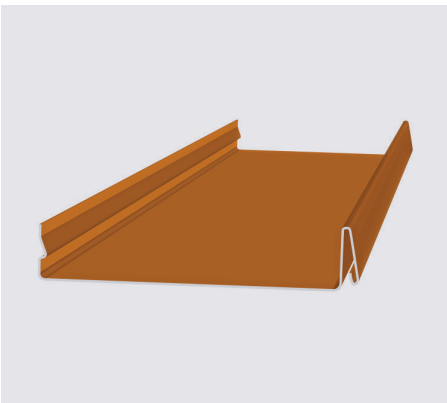
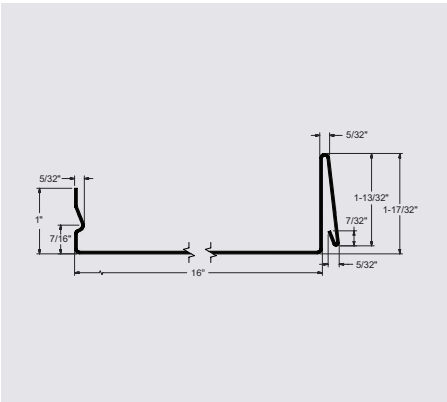
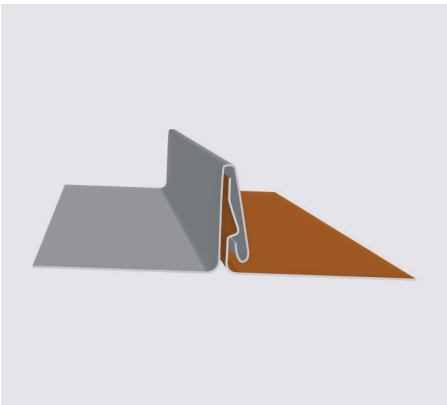
This panel uses a 20" coil.

This panel uses 4-1/8" of material to form the panel.

Divide the coil width by the panel width to determine your roof multiplier. Take the square footage of the roof and multiply that by the roof multiplier to determine the amount of coil needed to manufacture the panels. This does not include estimated waste.

This panel is approved for Weathertight Warranties.

SMI 1.5" SNAPLOCK 450 PLUS PANEL PROFILE



PANEL INFORMATION

Panel Type	Standing Seam
Panel Seam	SnapLock
Panel Width	16"
Seam Height	1.5"
Panel Material	22 ga—24 ga min.
Panel Surface	Smooth / Embossed Optional
Panel Clip	Required Per Engineering
Minimum Slope	3/12
Substrate	Plywood

PANEL TESTING

Uplift Resistance	UL 90
Hail Rating	Class 4 Impact UL 2218
Fire Rating	UL Class A
Texas Department of Insurance Approval	RC-564

PANEL NOTES

With this 24 GA, 16" wide panel engineering, you may opt to use heavier gauge coil and narrower width panels. Clip spacing will not change.

This panel uses a 20" coil.

This panel uses 4-1/8" of material to form the panel.

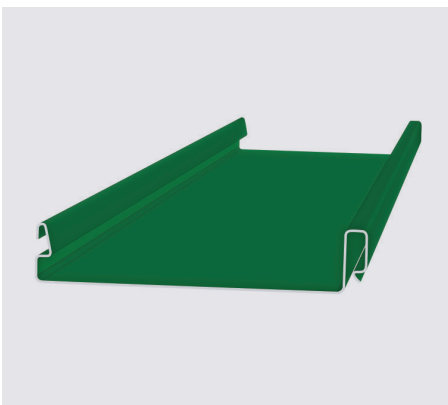
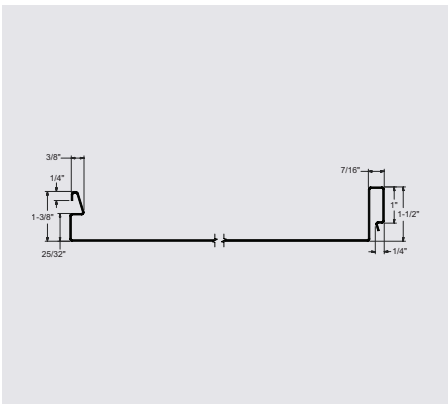
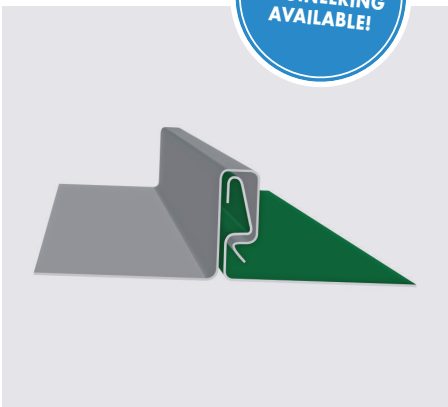
Divide the coil width by the panel width to determine your roof multiplier. Take the square footage of the roof and multiply that by the roof multiplier to determine the amount of coil needed to manufacture the panels. This does not include estimated waste.

This panel is approved for Weathertight Warranties.

E SMI 1.5" SNAPLOCK 550 PANEL PROFILE



ALUMINUM
ENGINEERING
AVAILABLE!



PANEL INFORMATION

Panel Type	Standing Seam
Panel Seam	SnapLock
Panel Width	19" (Steel) / 15" (Aluminum)
Seam Height	1.5"
Panel Material	22 ga–24 ga min, .032–.040
Panel Surface	Smooth / Embossed Optional
Panel Clip	Required Per Engineering
Minimum Slope	2/12
Substrate	Plywood (Steel), Plywood, B-Deck, B-Deck w/ISO (Aluminum)

PANEL TESTING

Uplift Resistance	UL 580, UL 1897, UL 90
Air Infiltration	ASTM E 1680
Water Penetration	ASTM E 1646
Hail Rating	Class 4 Impact UL 2218
Fire Rating	UL Class A
Texas Department of Insurance Approval	RC-396*
FBC Non-HVHZ Approval	FL18316*

PANEL NOTES

With this panel engineering, you may opt to use heavier gauge coil and narrower width panels. Clip spacing will not change.

This panel uses a 24" coil (Steel) / 20" coil (Aluminum). Maximum width coil of 24".

This panel uses 5-1/8" of material to form the panel.

Divide the coil width by the panel width to determine your roof multiplier. Take the square footage of the roof and multiply that by the roof multiplier to determine the amount of coil needed to manufacture the panels. This does not include estimated waste.

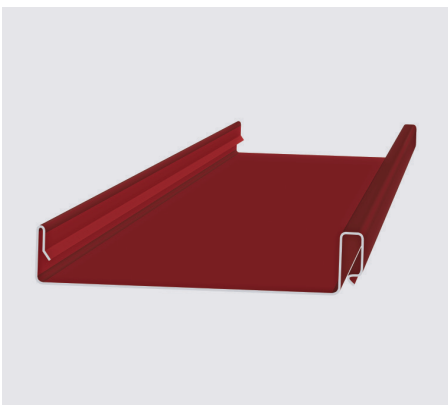
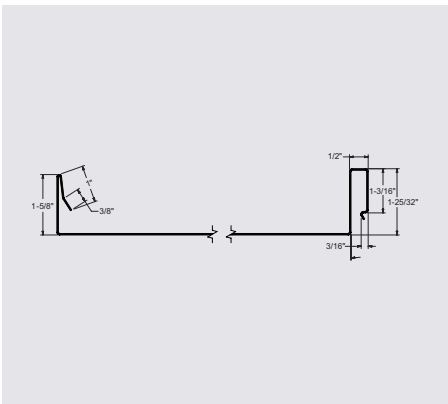
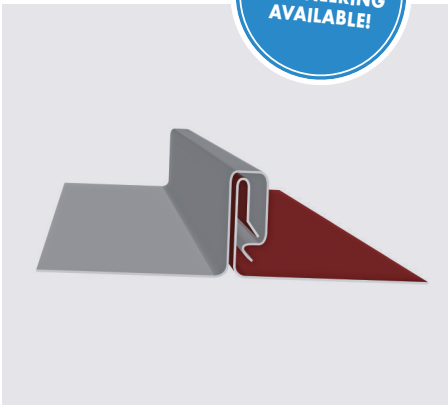
This panel is approved for Weathertight Warranties.

* Available in steel only.

E SMI 1.75" SNAPLOCK PANEL PROFILE



ALUMINUM
ENGINEERING
AVAILABLE!



PANEL INFORMATION

Panel Type	Standing Seam
Panel Seam	SnapLock
Panel Width	18" (Steel) / 16" (Aluminum)
Seam Height	1.75"
Panel Material	22 ga–24 ga min, .040
Panel Surface	Smooth / Embossed Optional
Panel Clip	Required Per Engineering
Minimum Slope	2/12
Substrate	Plywood, B-Deck, B-Deck w/ISO

PANEL TESTING

Uplift Resistance	UL 580, UL 1897, UL 90
Air Infiltration	ASTM E 1680
Wind Driven Rain	TAS 100
Water Penetration	ASTM E 1646
Hail Rating	Class 4 Impact UL 2218
Fire Rating	UL Class A
Texas Department of Insurance Approval	RC-387*, RC-388*, RC-389*
FBC HVHZ & Non-HVHZ Approval	FL18316

PANEL NOTES

With this panel engineering, you may opt to use heavier gauge coil and narrower width panels. Clip spacing will not change.

This panel uses a 24" coil (Steel) / 22" coil (Aluminum).

This panel uses 6-1/8" of material to form the panel.

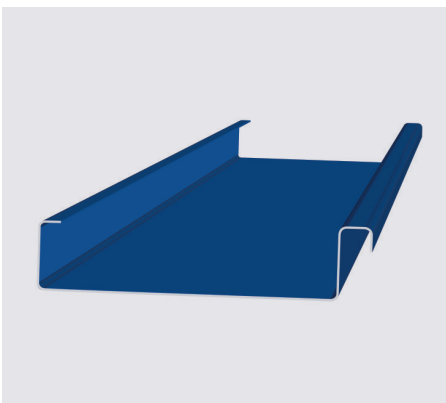
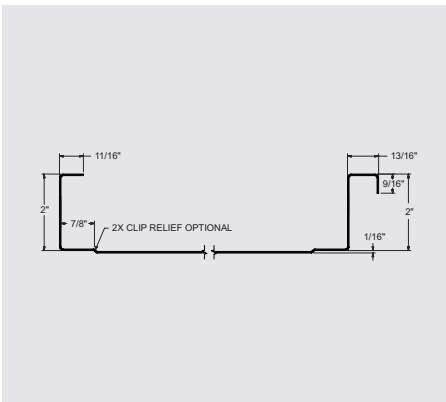
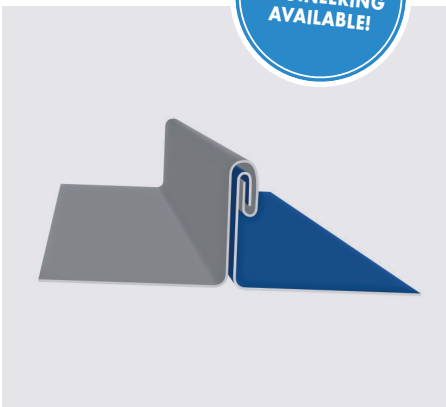
Divide the coil width by the panel width to determine your roof multiplier. Take the square footage of the roof and multiply that by the roof multiplier to determine the amount of coil needed to manufacture the panels. This does not include estimated waste.

This panel is approved for Weathertight Warranties.

* Available in steel only.



ALUMINUM
ENGINEERING
AVAILABLE!



PANEL INFORMATION

Panel Type	Standing Seam
Panel Seam	Mechanical
Panel Width	18" (Steel) / 16" (Aluminum)
Seam Height	2.0"
Panel Material	22 ga–24 ga min, .040
Panel Surface	Smooth / Embossed Optional
Panel Clip	Required Per Engineering
Minimum Slope	2/12
Substrate	Open Framing*, Plywood, B-Deck, B-Deck w/ISO

PANEL TESTING

Uplift Resistance	ASTM E1592*, UL 580, UL 1897, UL 90
Air Infiltration	ASTM E 1680
Wind Driven Rain	TAS 100
Water Penetration	ASTM E 1646
Water Submersion	ASTM E 2140
Foot Traffic	FM 4471*
Hail Rating	Class 4 Impact UL 2218
Fire Rating	UL Class A
Texas Dept. of Insurance Approval	RC-383*, RC-384*, RC-385*, RC-390*
FBC HVHZ & Non-HVHZ Approval	FL18316

PANEL NOTES

With this panel engineering, you may opt to use heavier gauge coil and narrower width panels. Clip spacing will not change.

For slopes lower than a 2/12 roof pitch, contact SMI Technical Department for further installation requirements.

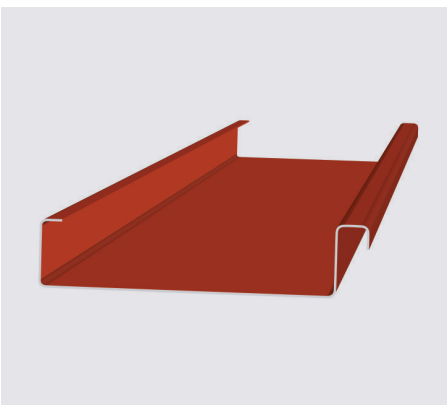
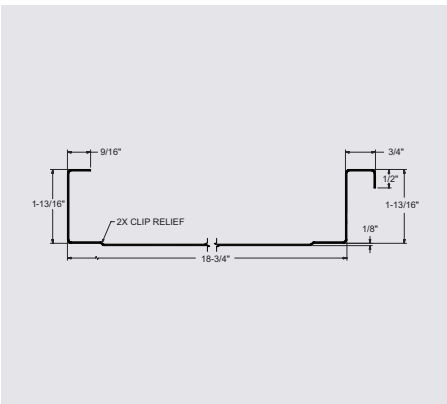
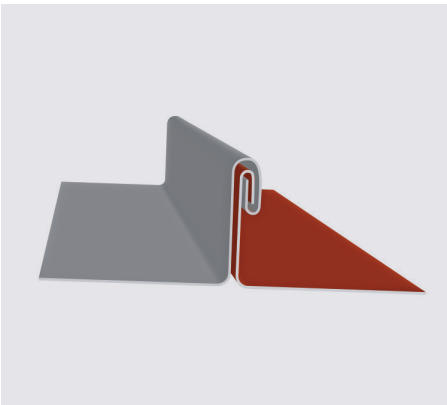
This panel uses a 24" coil (Steel) / 22" coil (Aluminum). This panel uses 5-13/16" of material to form the panel.

Divide the coil width by the panel width to determine your roof multiplier. Take the square footage of the roof and multiply that by the roof multiplier to determine the amount of coil needed to manufacture the panels. This does not include estimated waste.

This panel is approved for Weathertight Warranties.

* Available in steel only.

E SMI 2.0" SCH MECHANICAL SEAM PANEL PROFILE



PANEL INFORMATION

Panel Type	Standing Seam
Panel Seam	Mechanical
Panel Width	18-3/4"
Seam Height	2.0"
Panel Material	22 ga—24 ga min.
Panel Surface	Smooth / Embossed Optional
Panel Clip	Required Per Engineering
Minimum Slope	2/12
Substrate	Plywood, B-Deck, B-Deck w/ISO

PANEL TESTING

Uplift Resistance	UL 580, UL 1897, UL 90
Air Infiltration	ASTM E 1680
Water Penetration	ASTM E 1646
Water Submersion	ASTM E 2140

PANEL NOTES

With this 24 GA, 18-3/4" wide panel engineering, you may opt to use heavier gauge coil and narrower width panels. Clip spacing will not change.

For slopes lower than a 2/12 roof pitch, contact SMI Technical Department for further installation requirements.

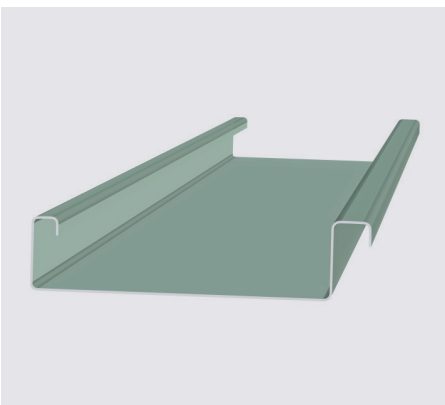
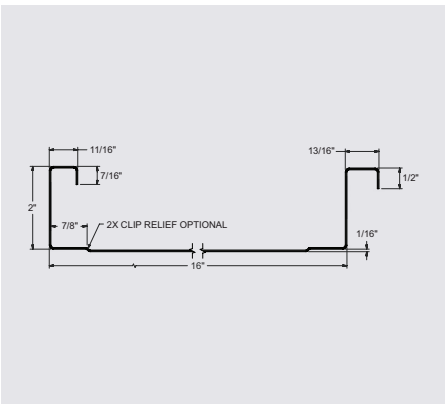
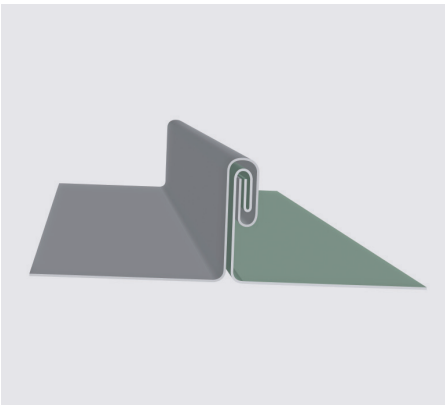
This panel uses a 24" coil. Maximum width coil of 24".

This panel uses 5-9/16" of material to form the panel.

Divide the coil width by the panel width to determine your roof multiplier. Take the square footage of the roof and multiply that by the roof multiplier to determine the amount of coil needed to manufacture the panels. This does not include estimated waste.

This panel is approved for Weathertight Warranties.

SMI 2.0" MECHANICAL SEAM (ARMCO) PANEL PROFILE



PANEL INFORMATION

Panel Type	Standing Seam
Panel Seam	Mechanical
Panel Width	16"
Seam Height	2.0"
Panel Material	22 ga–24 ga min.
Panel Surface	Smooth / Embossed Optional
Panel Clip	Required Per Engineering
Minimum Slope	2/12
Substrate	Open Framing, B-Deck w/ISO

PANEL TESTING

Uplift Resistance	UL 90
Hail Rating	Class 4 Impact UL 2218
Fire Rating	UL Class A

PANEL NOTES

With this 24 GA, 16" wide panel engineering, you may opt to use heavier gauge coil and narrower width panels. Clip spacing will not change.

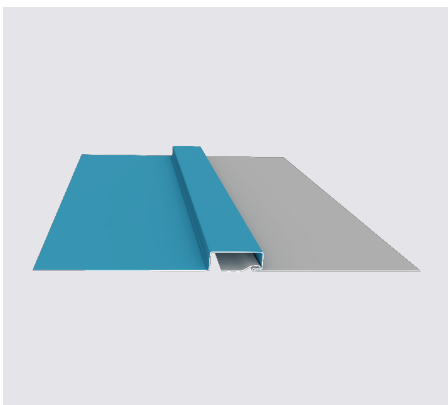
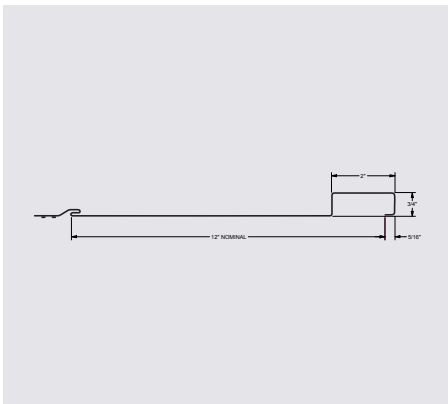
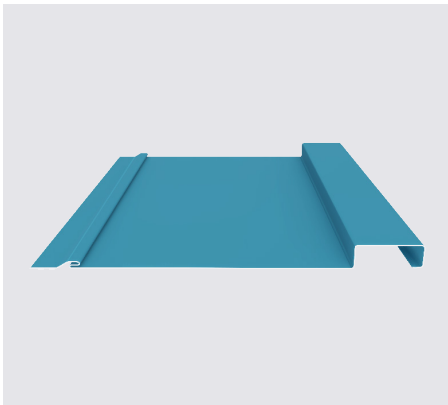
This panel uses a 22" coil.

This panel uses 6-1/8" of material to form the panel.

Divide the coil width by the panel width to determine your roof multiplier. Take the square footage of the roof and multiply that by the roof multiplier to determine the amount of coil needed to manufacture the panels. This does not include estimated waste.

This panel is approved for Weathertight Warranties.

SMI BOARD & BATTEN WALL PANEL PROFILE



PANEL INFORMATION

Panel Type	Wall
Panel Width Minimum	12" Nominal
Seam Height	3/4"
Mounting Orientation	Vertical
Materials Formed	22 and 24-gauge steel

PANEL TESTING

Structural Performance	ASTM E 330
FBC Non-HVHZ Approval	FL45939

PANEL NOTES

This panel uses a 3-5/8" of material to form the panel.

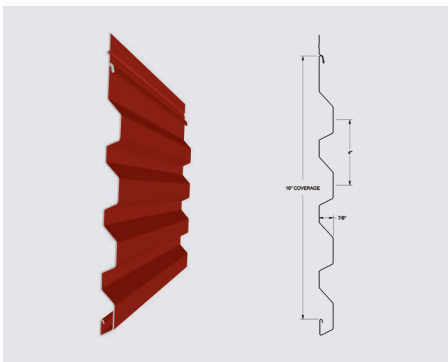
1" x 1/4" slots are equally spaced every 6-3/8."

Striations or ribs may be needed for panels wider than 12" coverage to avoid oil canning.

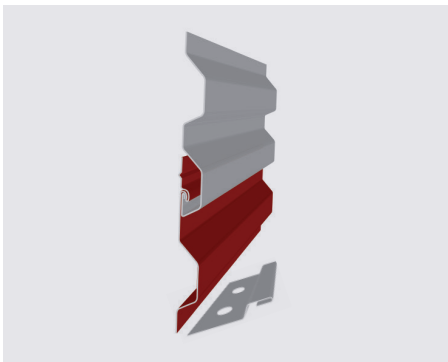
E WAV-16-4F & WAV-16-4C PROFILES



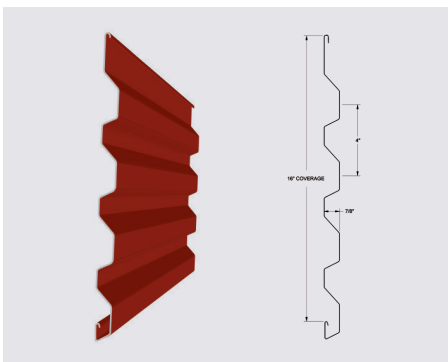
WAV WALL PANEL MACHINE



WAV-16-4F



WAV PANEL & CLIP



WAV-16-4C

The WAV profile is well-suited for a variety of architectural market segments, including retail, hospitality, residential mixed-use, independent living, sports centers, municipal, and interior design.

PANEL TESTING

Structural Performance	ASTM E 330
Air Infiltration	ASTM E 283
Water Penetration	ASTM E 331
FBC Non-HVHZ Approval	FL45939

PANEL INFORMATION

Panel Type	Wall
Rib Height	7/8"
Panel Material	22 ga–24 ga min.
Panel Surface	Smooth / Embossed Optional

PANEL NOTES

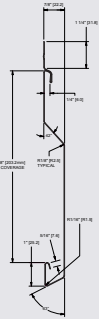
The **WAV-16-4F** uses 24 or 22 Ga. with a 24" wide stretch out for a finished panel width of 16". The concept here is similar to that of a fastener flange. When using this option, we recommend that panel lengths stay at 25' or less. The SMI WAV with Flange (F) was tested in accordance with ASTM E 330 and ASTM E 283 / E 331 standards.

The **WAV-16-4C** uses 24 or 22 Ga. with a 22-1/4" wide stretch out for a finished panel width of 16". This panel uses a clip or a cleat (C) that allows for expansion and contraction of the wall system. The SMI WAV was tested in accordance with ASTM E 330 and ASTM E 283 / E 331 standards.

WAV-8-1F & WAV-12-1F PROFILES



WAV-8-1F PANEL



WAV-8-1F DRAWING



WAV-12-1F PANEL



WAV-12-1F DRAWING



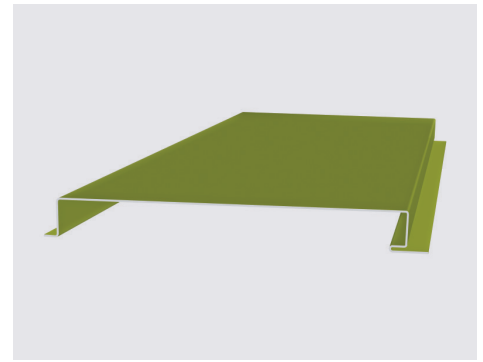
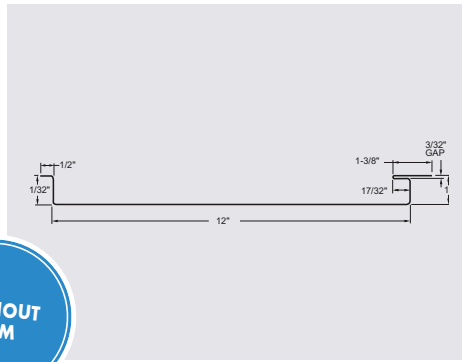
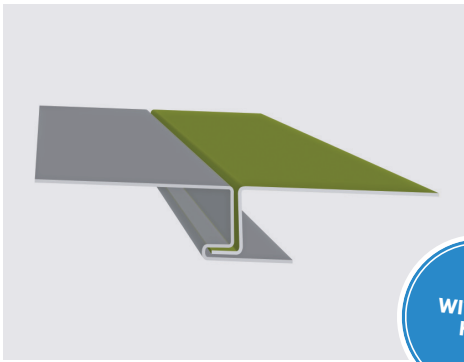
WAV-8-1-F PANEL INFORMATION

Panel Type	Wall
Rib Height	7/8"
Panel Material	22 ga–24 ga min., .032–.040
Panel Surface	Smooth / Embossed Optional
Coil Width	13-9/16"
Alternate Hem for Clip	Decrease coil width by 1-3/4"

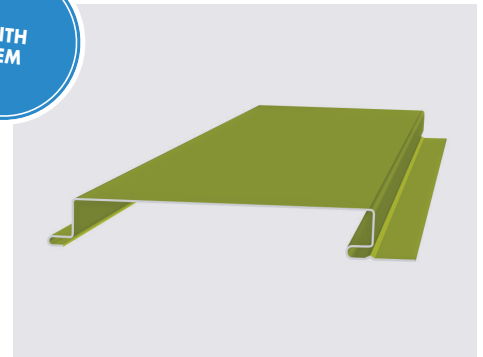
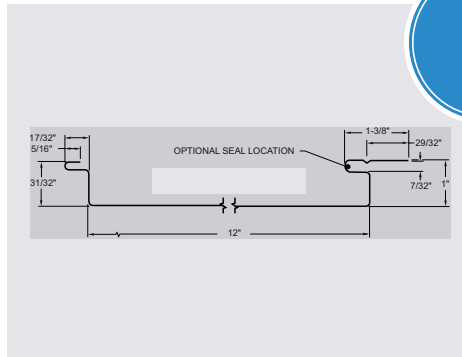
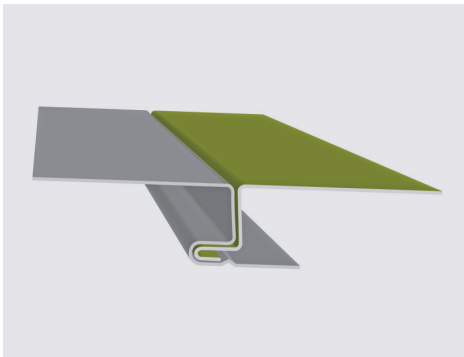
WAV-12-1-F PANEL INFORMATION

Panel Type	Wall
Rib Height	7/8"
Panel Material	22 ga–24 ga min., .032–.040
Panel Surface	Smooth / Embossed Optional
Coil Width	17-9/16"
Alternate Hem for Clip	Decrease coil width by 1-3/4"

E SMI 1.0" FWP FLUSH WALL & SOFFIT PANEL



WITHOUT
HEM



WITH
HEM

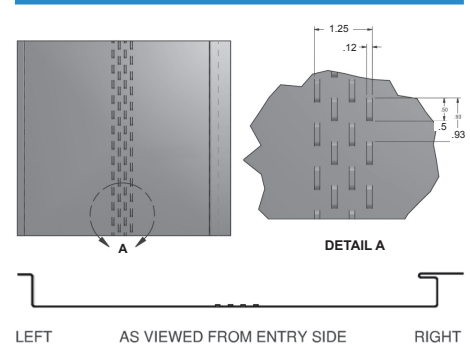
PANEL INFORMATION

Panel Type	Wall / Soffit
Panel Width	12"
Seam Height	1.0"
Panel Material	22 ga–24 ga min.
Panel Surface	Smooth / Embossed Optional

PANEL TESTING

Uplift Resistance	ASTM E 1592, UL 90
Air Infiltration	ASTM E 283
Water Penetration	ASTM E 331
FBC Non-HVHZ Approval	FL45939

NET FREE AIR SPACE



PANEL NOTES

This panel uses a 16" coil.

This panel uses 4" of material to form the panel.

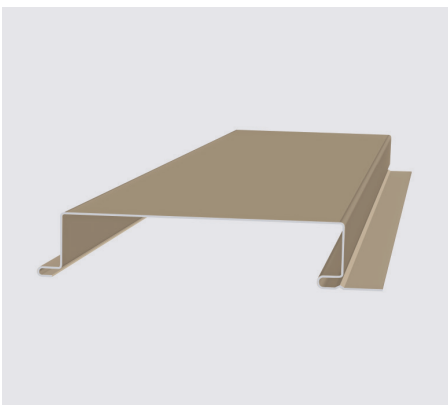
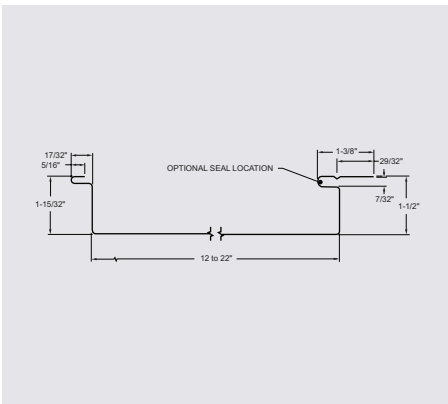
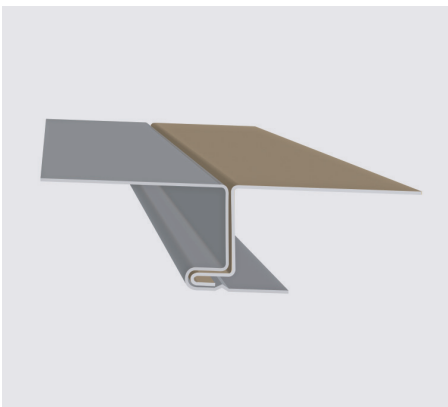
If you take the square footage of the wall and multiply that by 1.25, the total will be the amount of coil needed to manufacture the panels.

Perforation opening size .50 [12.7] X .12 [3.0] = .06 Sq. In. [38.7 sq. mm.]

Openings per 12 inch length [304.8mm] = 51.25

Net Free Area / 12 inch = .06 Sq. In. X 51.25 = 3.08 Sq. In. [Net Free Area 1304.8mm = 38.7 sq. mm X 51.25 = 1983 sq. mm]

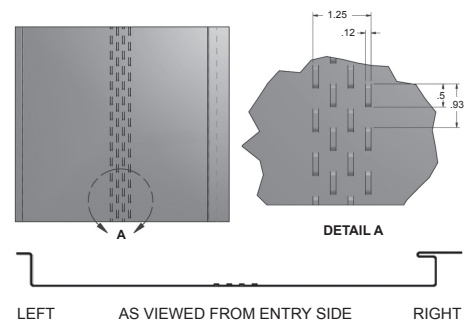
SMI 1.5" FWP WITH HEM FLUSH WALL & SOFFIT PANEL



PANEL INFORMATION

Panel Type	Wall / Soffit
Seam Height	1.5"
Panel Material	22 ga–24 ga min
Panel Surface	Smooth / Embossed Optional

NET FREE AIR SPACE



PANEL NOTES

This panel uses a 17" coil, which produces a 12" panel.

This panel uses 5" of material to form the panel.

Divide the coil width by the panel width to determine your roof multiplier. Take the square footage of the roof and multiply that by the roof multiplier to determine the amount of coil needed to manufacture the panels. This does not include estimated waste.

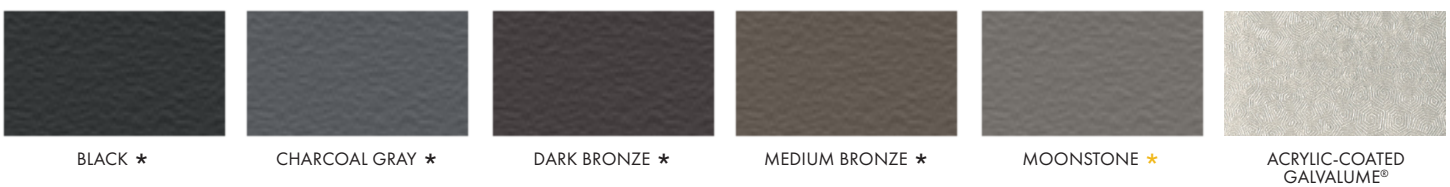
Minimum panel width is 12".

24 GA. PVDF COLOR SELECTION

SMART COLORS — DESIGNED ENERGY EFFICIENT

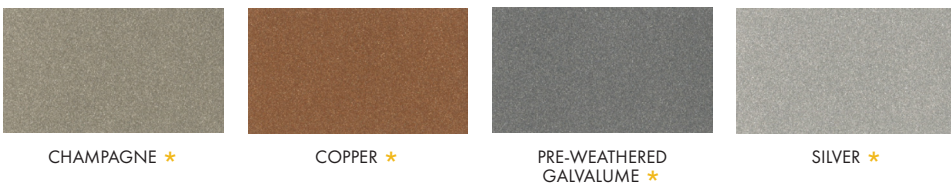


CORELINE TEXTURED LOW-GLOSS (TLG) PVDF

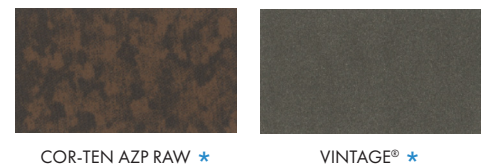


NON-PAINTED

METALLIC COLORS



WEATHERED COLORS



* Available at a slight price premium * Metallic premium * Weathered premium

Oil canning is an aesthetic issue and is an inherent part of light gauge cold formed metal products. By using coil that has been processed properly, designing for thermal movement, following stringent specifications for installation, and proper handling, most oil canning can be minimized. Oil canning is not grounds for coil/panel rejection.



SCAN THE QR CODE TO OPEN OUR COLOR VISUALIZER

Create detailed digital mock-ups of roofing, wall, and trim projects!

24 GA. PVDF STOCK AVAILABILITY MATRIX

STOCK AVAILABILITY MATRIX	LEED V4.1	ISR	EMI	3 YR. SRI	SRI	GALVALUME				ALUMINUM					
						22 GA.	24 GA.	24 GA.	24 GA.	.032 NOM.	.032 NOM.	.040 NOM.	.050 NOM.	.063 NOM.	
						48.375"	40.375"	44.375"	48.375"	40.500"	48.000"	48.000"	48.000"	48.000"	
Acrylic Coated Galvalume®		L	0.67	0.14	N/A	56	●	●		●					
Ash Gray	+		0.32	0.83	31	31		●		●	●	●			
Burgundy			0.31	0.86	29	32		●		●					
Burnished Slate			0.25	0.83	22	22		●		●					
Champagne Metallic			0.32	0.83	31	31		●		●					
Charcoal Gray	+		0.25	0.83	22	22	●	●	●	●	●	●			
Colonial Red	+		0.25	0.83	22	22		●		●	●				
Copper Metallic		L	0.35	0.75	32	32		●		●	●				
Cor-Ten AZP® Raw			0.32	0.89	N/A	34		●		●					
Dark Bronze	+		0.25	0.83	22	22	●	●	●	●	●	●	●	●	●
Dove Gray		L	0.35	0.83	35	35	●	●		●	●	●			
Evergreen	+		0.25	0.83	22	22		●		●	●	●			
Hartford Green	+		0.25	0.83	22	22		●		●	●	●	●		
Hemlock Green			0.25	0.83	22	22		●		●					
Mansard Brown	+		0.25	0.83	22	22	●	●		●	●	●	●		
Matte Black	+		0.25	0.83	22	22	●	●	●	●	●	●	●	●	●
Medium Bronze	+		0.25	0.83	22	22	●	●	●	●	●	●	●	●	●
Patina Green			0.32	0.83	31	31		●		●					
Pre-weathered Galvalume®			0.24	0.83	19	21		●		●	●				
Regal Blue	+		0.25	0.83	22	22		●		●					
Regal Red	+	L	0.35	0.83	35	35		●		●					
Regal White	+	L	0.65	0.83	77	77	●	●	●	●	●	●	●	●	●
Sandstone	+	L	0.35	0.83	35	35		●		●	●	●			
Sierra Tan	+		0.31	0.87	28	31		●		●	●	●			
Silver Metallic		L	0.54	0.77	55	60		●		●	●	●	●		
Slate Blue			0.25	0.83	22	22		●		●					
Slate Gray	+	L	0.35	0.83	35	35	●	●	●	●	●	●	●	●	●
Solar White		L	0.65	0.83	77	77		●		●	●	●	●	●	●
Stone White		L	0.55	0.83	59	63		●		●	●	●			
Surrey Beige		L	0.35	0.75	32	32		●		●	●				
Terra Cotta		L	0.35	0.83	35	35		●		●	●	●			
TLG Black			0.25	0.83	22	22		●		●					
TLG Charcoal Gray			0.25	0.83	22	22		●		●					
TLG Dark Bronze			0.25	0.83	22	22		●		●					
TLG Medium Bronze			0.25	0.83	22	22		●		●					
TLG Moonstone			0.32	0.83	31	31		●		●					
Vintage®			0.30	0.70	N/A	22		●		●					
Custom Colors							▲	▲	▲	▲	▲	▲	▲	▲	▲

NOTES

- All of Sheffield's CoolR® metal is painted with a .20 mil primer and .70 - .90 mil Top Coat of 70% PVDF resin-based coating. The reverse side has a .20 primer and .30 - .40 backer coating.
- For low slope roofing to meet LEED V4.1 requirements, the initial SRI must be ≥ 82 OR the 3-year SRI must be ≥ 64. For steep slope roofing to meet LEED V4.1 requirements, the initial SRI for 75% of the roof must be ≥ 39 OR the 3-year SRI must be ≥ 32.
- Low slope is defined as ≤ 2:12. Steep slope is defined as > 2:12.
- Materials should be stored in a cool, dry place. Materials with PVC film on project sites should be used immediately or stored in a climate-controlled setting. PVC film must be removed prior to installation.
- Anything not noted in the Availability Matrix can be painted, regardless of width, substrate, or thickness; however, it would be subject to a minimum paint run and would need to meet standard custom order criteria.

KEY

- = Stocked Item
- = Available from Atlanta location only
- ▲ = Available on Custom Order Basis
- L = LEED V4.1 Compliant
- ISR = Initial Solar Reflectance
- EM = Emissivity
- SRI = Solar Reflectance Index
- +
- Si Poly/XL 26 ga - Inquiry available widths

Colors shown are matched as accurately as possible, but may vary slightly from the finished product. These rich and vibrant colors are produced with PVDF resins, which provide superior color retention and allow Sheffield Metals to offer non-prorated coating warranties for most applications. Galvalume® is a registered trademark of BIEC International Inc. Coating warranty varies for CoolR® Moonstone, Matte Black, Copper, Champagne, Silver, and Pre-Weathered Galvalume. Steelscape's Vintage carries a 20-year Finish Warranty. Please contact your representative for more information. Touch-up should only be done with a Sheffield Metals color-matched PVDF air-dry paint pen.

26 GA. PVDF COLOR SELECTION

26 GA. LOW GLOSS COLORS



REGAL WHITE



DOVE GRAY



SLATE GRAY



ASH GRAY



DARK GRAY



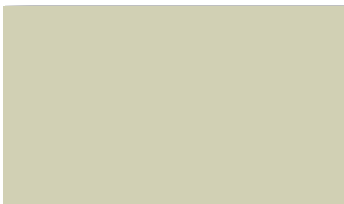
COLONIAL RED



EVERGREEN



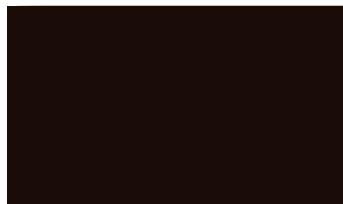
TERRA COTTA



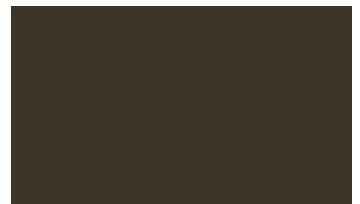
SANDSTONE



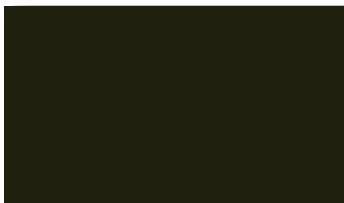
SIERRA TAN



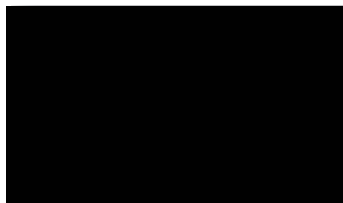
MANSARD BROWN



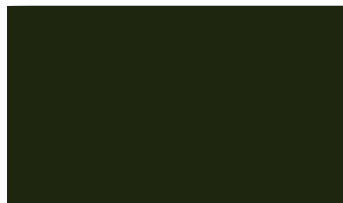
MEDIUM BRONZE



DARK BRONZE

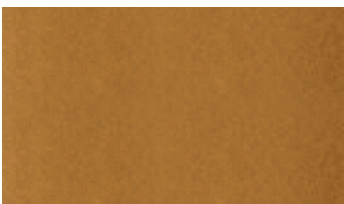


BLACK



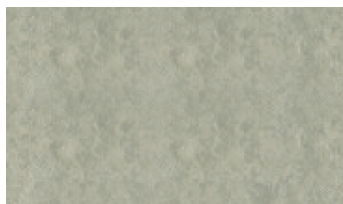
ANTIQUÉ

METALLIC

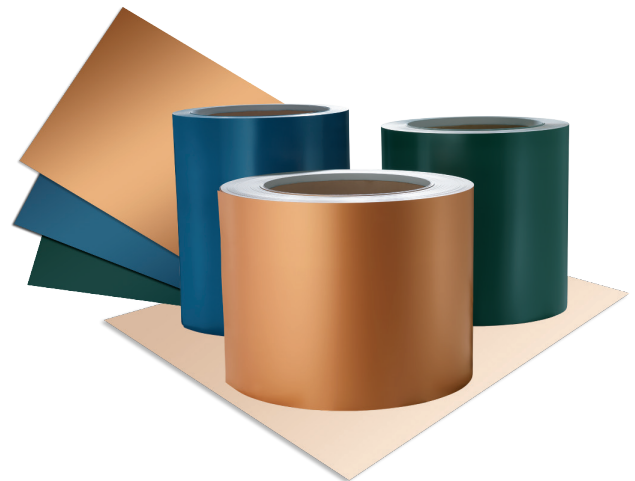


COPPER * *

NON-PAINTED



ACRYLIC-COATED GALVALUME®



* Available at a slight price premium

* Weathered premium

Note: For items not stocked in 27.5", customers may be subject to purchasing a 20" drop coil.

Oil canning is an aesthetic issue and is an inherent part of light gauge cold formed metal products. By using coil that has been processed properly, designing for thermal movement, following stringent specifications for installation, and proper handling, most oil canning can be minimized. Oil canning is not grounds for coil/panel rejection.

26 GA. PVDF AVAILABILITY MATRIX & TEST REPORTS

STOCK AVAILABILITY MATRIX	LEED V4.1	ISR	EMI	3 YR. SRI	SRI	27.5"	40.375"	48.375"
L/S Regal White	L	0.66	0.87	0.66	80	●	●	●
L/S Dove Gray	L	0.49	0.87	N/A	56	●	●	●
L/S Slate Gray	L	0.40	0.85	0.40	43	●	●	●
L/S Ash Gray	L	0.49	0.87	N/A	56	●	●	●
L/S Dark Gray	L	0.32	0.86	0.33	33	●	●	●
L/S Colonial Red		0.29	0.85	0.27	28	●	●	●
L/S Evergreen		0.26	0.87	0.26	25		●	●
L/S Terra Cotta	L	0.37	0.88	0.36	40	●	●	●
L/S Sandstone	L	0.60	0.87	N/A	71	●	●	●
L/S Sierra Tan		0.29	0.86	0.30	29	●	●	●
L/S Mansard Brown		0.27	0.87	N/A	27		●	●
L/S Medium Bronze	L	0.30	0.86	0.32	30	●	●	●
L/S Dark Bronze		0.26	0.85	0.25	24		●	●
L/S Black		0.28	0.85	0.27	27		●	●
L/S Antique		0.28	0.85	0.27	27		●	●
Copper	L	0.49	0.86	0.47	56		●	●
Acrylic-Coated Galvalume®	L	0.67	0.14	0.55	56	●	●	●

CERTIFIED LABORATORY TEST REPORT SUMMARY FOR GALVALUME

Accelerated Weathering ASTM G 23	Salt Spray ASTM B 117	Humidity ASTM D 2247	Formability ASTM G 522	Adhesion ASTM D 3359	Pencil Hardness ASTM D 3363	Specular Gloss ASTM D 523	Impact Resistance ASTM D 2794	Abrasion Resistance ASTM D 968	Tunnel Test ASTM 3 84	Acid Resistance ASTM D Procedure 72 (Independent of Substrate)
2,000 Hours Chalk: #8 Color: 2AE	2,000 Hours Scribe: 7 1/16" Blisters Field: 10 No Blisters	2,000 Hours Rating: 10 No Blisters	1/8" Mandrel No Cracking No Loss of Adhesion	No Loss of Adhesion	HB Minimum	85° = 5-15	3x Metal Thickness in Inch-lb. No Loss of Adhesion	Total Sand = 67 Liters Plus or Minus 10 Liters	Class A Coating	20% Sulfuric Acid 18-Hour — No Visible Change

NOTES

- All of Sheffield's CoolR® metal is painted with a .20 mil primer and .70 - .90 mil Top Coat of 70% PVDF resin-based coating. The reverse side has a .20 primer and .30 - .40 backer coating.
- For low slope roofing to meet LEED V4.1 requirements, the initial SRI must be ≥ 82 OR the 3-year SRI must be ≥ 64. For steep slope roofing to meet LEED V4.1 requirements, the initial SRI for 75% of the roof must be ≥ 39 OR the 3-year SRI must be ≥ 32.
- Low slope is defined as ≤ 2:12. Steep slope is defined as > 2:12.
- Materials should be stored in a cool, dry place. Materials with PVC film on project sites should be used immediately or stored in a climate-controlled setting. PVC film must be removed prior to installation.
- For items not stocked in 27.5", the customer may be subject to purchasing a 20" drop coil.

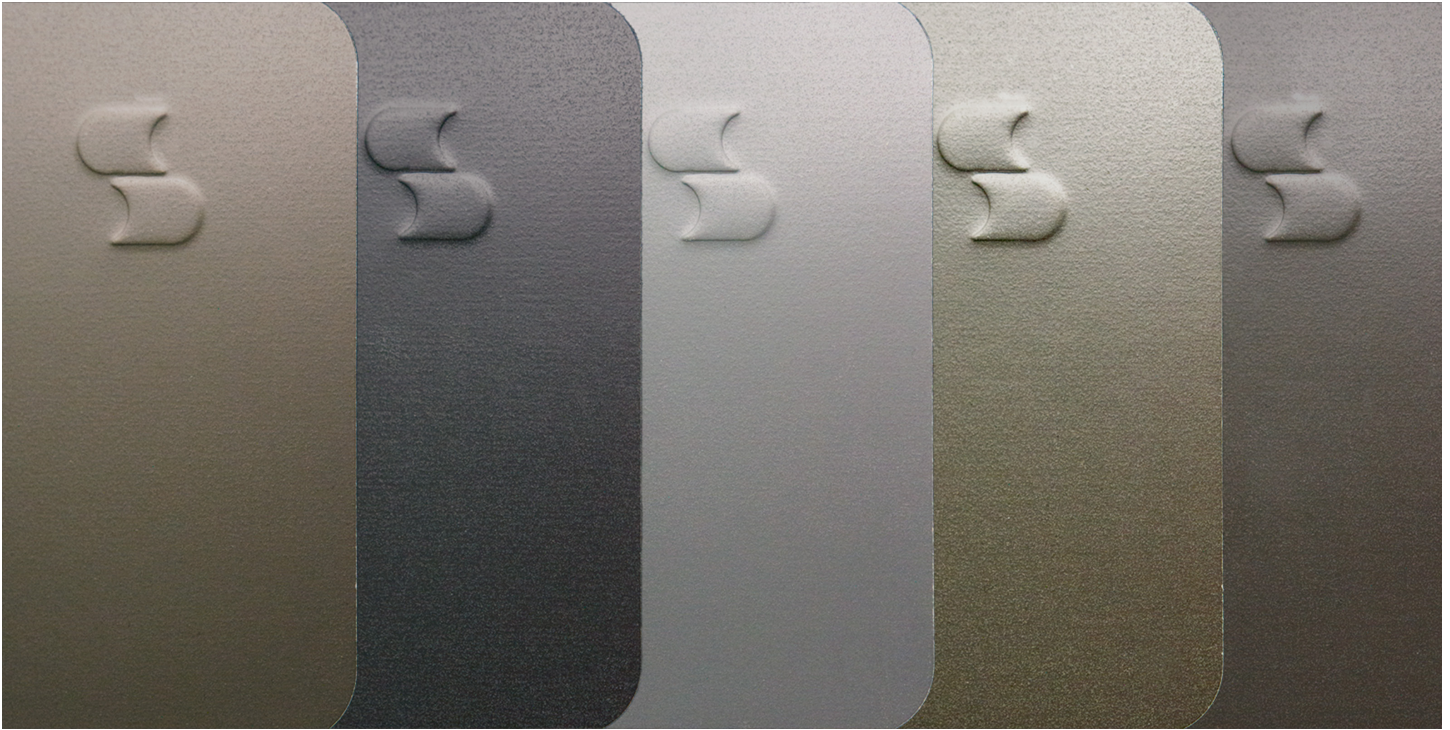
KEY

- = Stocked Item
- L = LEED V4.1 Compliant
- ISR = Initial Solar Reflectance
- EM = Emissivity
- SRI = Solar Reflectance Index

Colors shown are matched as accurately as possible, but may vary slightly from the finished product. These rich and vibrant colors are produced with PVDF resins, which provide superior color retention and allow Sheffield Metals to offer non-prorated coating warranties for most applications.

We carry an extensive inventory of painted aluminum and Galvalume® (registered trademark of BIEC International Inc.) steel, as well as acrylic-coated Galvalume. Custom color matching and specialty paint systems are available upon request. Your sales representative can supply you with additional information on these and our other products.

CORELINE™ TEXTURED LOW-GLOSS PVDF COLORS



CoreLine brings together the ultra-premium paint system benefits of PVDF like improved color retention, impressive fade characteristics, and brighter colors, while also providing a low-gloss, gritty, textured finish to improve grip retention and walkability.

Typically, textured finishes have only been available for SMP paint systems. With demand already high for low-gloss products, CoreLine finishes will be a welcome addition to customers, blending advantages of both SMP and PVDF paint systems.

CORELINE 24-GA TEXTURED LOW-GLOSS PVDF COLORS INCLUDE:

- TLG Medium Bronze
- TLG Black
- TLG Charcoal Gray
- TLG Moonstone™
- TLG Dark Bronze

WHY CHOOSE CORELINE FOR YOUR PROJECT?

UNMATCHED DURABILITY

With time-tested PVDF paint technology, CoreLine will last for decades without excessive wear.

SLEEK LOW-GLOSS FINISH

This unique finish knocks down harsh sunlight for a smooth and even appearance.

TACTICAL GRITTY TEXTURE

Improved walkability and added visual interest benefits contractors and homeowners alike.

NTM PORTABLE ROLLFORMING MACHINES



We proudly distribute New Tech Machinery (NTM) portable rollforming equipment, which is compatible with Sheffield Metals coils. Our engineering is also performed with NTM profiles.



ROOF PANEL MACHINES

With NTM's SSQ™ II, SSH™, and SSR™ portable roof panel machines, you can efficiently fabricate the panels you need in your exact desired quantity whenever you need them. These machines can produce multiple profiles for different building applications ranging from residential to commercial.



WALL PANEL MACHINES

New Tech Machinery manufactures the WAV™ Wall Panel Machine, the industry's only portable WAV profile machine. This machine can produce 16", 12", and 8" WAV-style profiles and comes equipped with the UNIQ® Automatic Control System.



GUTTER MACHINES

NTM's MACH II™ portable seamless gutter machines can fabricate 5" and 6" K-style gutters that incorporate a bottom bead, an alcoa hook, or a straight back depending on your preference and project. NTM also offers the BG7™, a 7" commercial box-style gutter machine capable of producing two profiles that feature a hook or a straight back.

ACCESSORIES & COMPONENTS



CLIPS

We stock a full line of roofing clips for engineered and non-engineered applications. Offerings for New Tech Machinery profiles, as well as a number of other panel machines, are available. Clips come in a variety of gauges in either galvanized or stainless steel.



UNDERLAYMENTS

We stock the full line of Sharkskin synthetic roof underlayments. Sharkskin offers a variety of premium products that were made by a roofer for roofers. Sharkskin Ultra and Ultra SA are approved underlayments for Sheffield Metals' Weathertight Warranty program.



FASTENERS & SCREWS

We stock a full line of metal roof and wall system fasteners, including low-profile clip screws, pancake head screws, and self driller pancake head screws in a variety of sizes and applicable substrates. We also carry Panel-Tite® gasket head fasteners from Triangle Fastener Corporation in 30+ finishes for your exposed fastener roofing projects.



TOUCH-UP PAINT

We stock PVDF air-dry color matched paint pens and spray paint cans in over 30 colors to help installers touch up minor scratches and exposed cut edges.



POP RIVETS

We stock #43 stainless steel rivets in mill finish as well as 30+ colors painted to match our metal roofing finishes.



BUTYL TAPES

We stock several widths and lengths of butyl tape. With pressure, it fills voids between Galvalume® and painted metal.



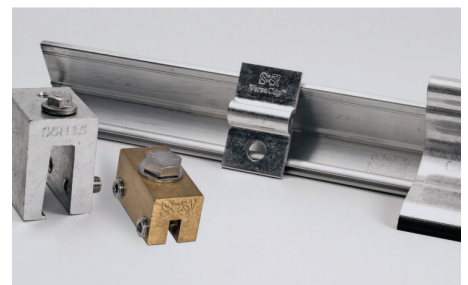
SEALANTS

We proudly stock NovaFlex Metal Roof Sealant in over 25 colors. NovaFlex is a premium silicone-based sealant designed specifically for metal roofing. NovaFlex is approved for Weathertight Warranties.



DEKTITES

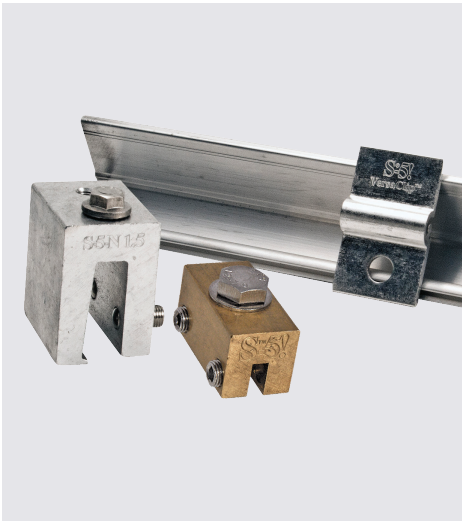
Dektite® flashers come in nine different sizes for round pipes ranging from 1/4" to 19" in diameter and are stocked in grey EPDM. Special order in 10+ colors to match your roof. Red Brick silicone is available for high temperature applications.



S-5! ATTACHMENTS

We've partnered with S-5!, the industry leader and innovator, to distribute their attachment systems for snow retention, utility solutions, and solar mounting. S-5! can provide a non-penetrating engineered solution for standing seam metal roofing system accessories.

S-5! METAL ROOFING ATTACHMENTS



S-5!'s versatile line of aluminum and brass attachment products fit the majority of today's standing seam and exposed-fastened metal roof profiles, including most structural and architectural profiles.

S-5! clamps and brackets have been extensively laboratory tested on a variety of seam types, profiles, and materials to determine ultimate tensile failure loads. The versatility, simple design, strength, and ample size make the S-5! clamps perfect for snow retention solutions, solar solutions, and utility solutions. S-5! Mini clamps are ideal for solar solutions and other common applications.

NTM PANEL NAME	SMI PANEL NAME	S-5 CLAMPS
SS100	SMI 1.0" MS (Single Fold / 90°)	S-5-S & S-5-S Mini
	SMI 1.0" MS (Double Fold / 180°)	S-5-E & S-5-E Mini
SS150	SMI 1.5" MS (Single Fold / 90°)	S-5-S & S-5-S Mini
	SMI 1.5" MS (Double Fold / 180°)	S-5-E & S-5-E Mini
SS200	SMI 2.0" MS (Single Fold / 90°)	S-5-H90 & S-5-H90 Mini
	SMI 2.0" MS (Double Fold / 180°)	S-5-V & S-5-V Mini
SS210A	SMI 2.0" MS (ARMCO) (Single Fold / 90°)	S-5-H90 & S-5-H90 Mini
	SMI 2.0" MS (ARMCO) (Double Fold / 180°)	S-5-V & S-5-V Mini
Schlebach 2" Mech	SMI 2.0" SCH MS (Single Fold / 90°)	S-5-H90 & S-5-H90 Mini
	SMI 2.0" SCH MS (Double Fold / 180°)	S-5-V & S-5-V Mini
SS450	SMI 1.5" SnapLock 450	S-5-S & S-5-S Mini / S-5-N & S-5-N Mini / S-5-N 1.5 & S-5-N 1.5 Mini
SS450 SL	SMI 1.5" SnapLock 450 SL	S-5-S & S-5-S Mini / S-5-N & S-5-N Mini / S-5-N 1.5 & S-5-N 1.5 Mini
SS550	SMI 1.5" SnapLock 550	S-5-S & S-5-S Mini
SS675	SMI 1.75" SnapLock	S-5-S & S-5-S Mini / S-5-V & S-5-V Mini
FF100	SMI 1.0" FF SnapLock	S-5-N & S-5-N Mini / S-5-S & S-5-S Mini
FF150	SMI 1.5" FF SnapLock	S-5-N 1.5 & S-5-N 1.5 Mini

Note: S-5-U & S-5-U Mini are compatible with all profiles except the SMI 1.0" FF SnapLock and SMI 1.5" FF SnapLock.



Cleveland: 800-283-5262

Atlanta: 800-929-9359

Dallas: 877-853-4904

Denver: 877-375-1477

Los Angeles: 562-383-9800

Tampa: 813-337-0310



PARTNERSHIPS & TRADE ASSOCIATIONS

AIA
Continuing
Education
Provider



SHERWIN-WILLIAMS.
Coil Coatings

Sherwin-Williams® is a trademark of SWIMC LLC.

