

# VIVREAU EXTRA 50/85

## TAP SYSTEM



**INSTALLATION REQUIREMENTS**

## I. Installation requirements

- Do not install near direct or indirect heat sources (e.g. ovens, dishwashers, etc.). Ensure that hoses and cables do not contact heat sources.
- Place on a level surface resistant to liquids and heat that can bear the weight.
- Do not install at locations where there is a possibility of sprayed water or jets of water.
- Do not place any objects on the water dispenser.
- Make sure the environment condition is not explosive, corrosive or abrasive. Keep away from flammable objects.
- Avoid agitations and vibrations.
- The water dispenser is not suited for outdoor use.
- The ambient temperature should not exceed 32 °C / 89.6 °F.

### 1 Water connection:

A corresponding and functioning drinking water connection must be in the vicinity (to be provided by operator):

- 3/4" male angle valve or 3/4" male isolation valve terminated in a vertical position, preferably in stainless steel with shut-off valve in the cabinet underneath. The valve may also be made of chrome, plastic or brass in accordance with local legal requirements.
- For best performance and hygiene it should be located not more than 2 m left or right of the system. Do not exceed 6 m.
- Min. water supply flow pressure: 2.5 bar / 0.25 MPa (at 2 l/min waterflow).
- Connect only to drinking water lines that supply drinking water quality in accordance with the drinking water regulations at the location of use.
- Do not use in combination with a decarbonating filter or with pH-reducing systems (e.g. RO-system). Critical pH-value is < 6.5 pH.
- Install the provided water pressure regulator including a controllable backflow preventer. Thus, a backflow or back siphonage of water into the water supply network according to DIN EN 1717 is prevented and the water dispenser protected.

### 2 Electrical connection:

UK: 1 switch socket 230 V / 10 A

Europe & Australia: 1 switch socket 230 V / 13 A in base cupboard unit at high level, max. 3 m left or right of the system. If needed, an extension cable has to be provided by the operator.

### 3 Waste water connection or waste water container (optional):

Waste connection, trapped up stand to facilitate a 1/2" flexible pipe (to be provided by operator). Max. 2 m left or right of the system.

### 4 CO<sub>2</sub>: Foodgrade CO<sub>2</sub> bottle type E290 is to be provided by the operator.

The spatial volume of the installation room must be known. The max. permissible size of the CO<sub>2</sub> bottle is calculated from this. Contact customer service if in doubt about the CO<sub>2</sub> bottle size. The CO<sub>2</sub> bottle must be placed as far as possible from any heat sources.

## II. Ventilation options

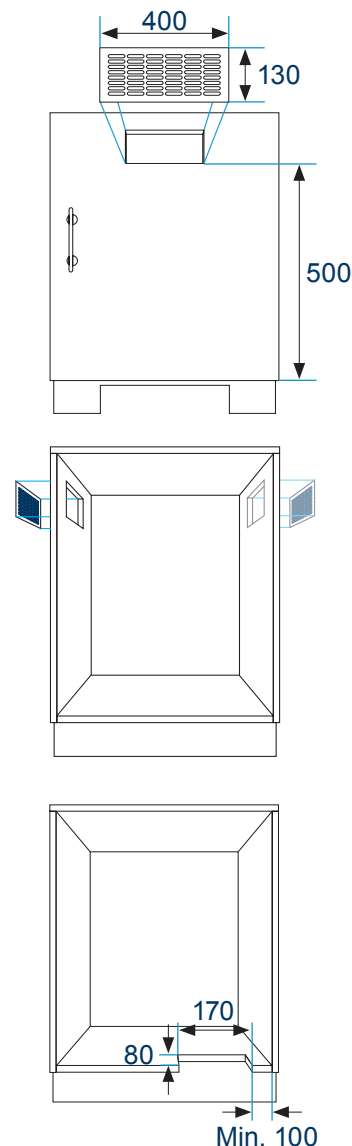
The ventilation areas in the cabinet should be prepared by the operator prior to the installation. Please contact your customer service for more details.

The cabinet may be ventilated in several different ways to prevent excessive heat build-up. The methods shown all take advantage of natural circulation by placing two grilles or cut-outs; one near the base and the other at the top of the enclosure.

Base/ kitchen cabinet back panel should be removed for better ventilation.

All dimensions in mm.

### Front view



#### Front Ventilation

Cut the ventilation grille into a standard door panel.

#### Side Ventilation

Cut a ventilation grille into the side of a standard 600 mm cabinet. The grille may be fitted on either side allowing the ventilation into a free and unobstructed area.

#### Base Cut-Out

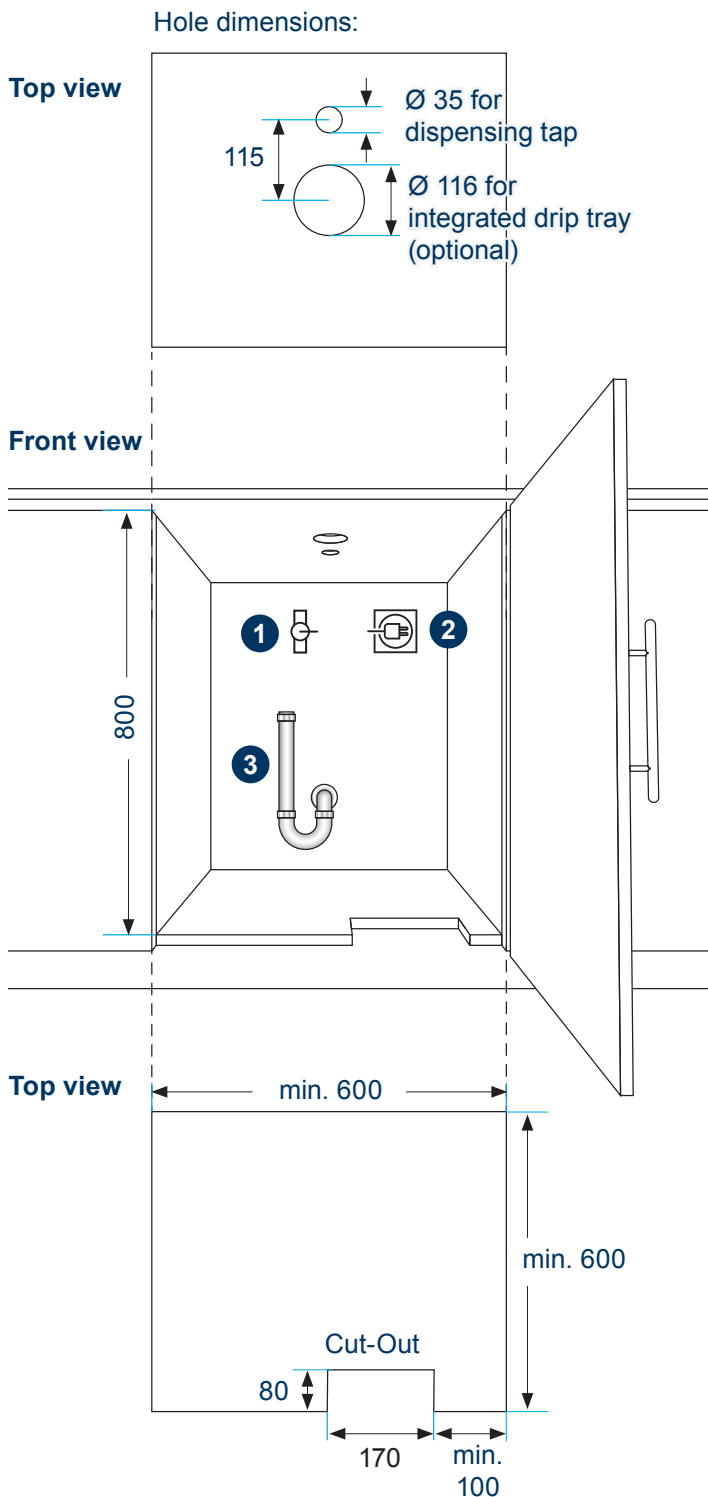
Ensure ventilation by removing a narrow section of the floor, immediately behind the door and trim with roll edging strip. Typical cut-out size 170 mm wide x 80 mm deep or to the skirting.

### III. Preparation

Preparation of the furniture for installation.  
All dimensions in mm.

#### Ventilation requirements:

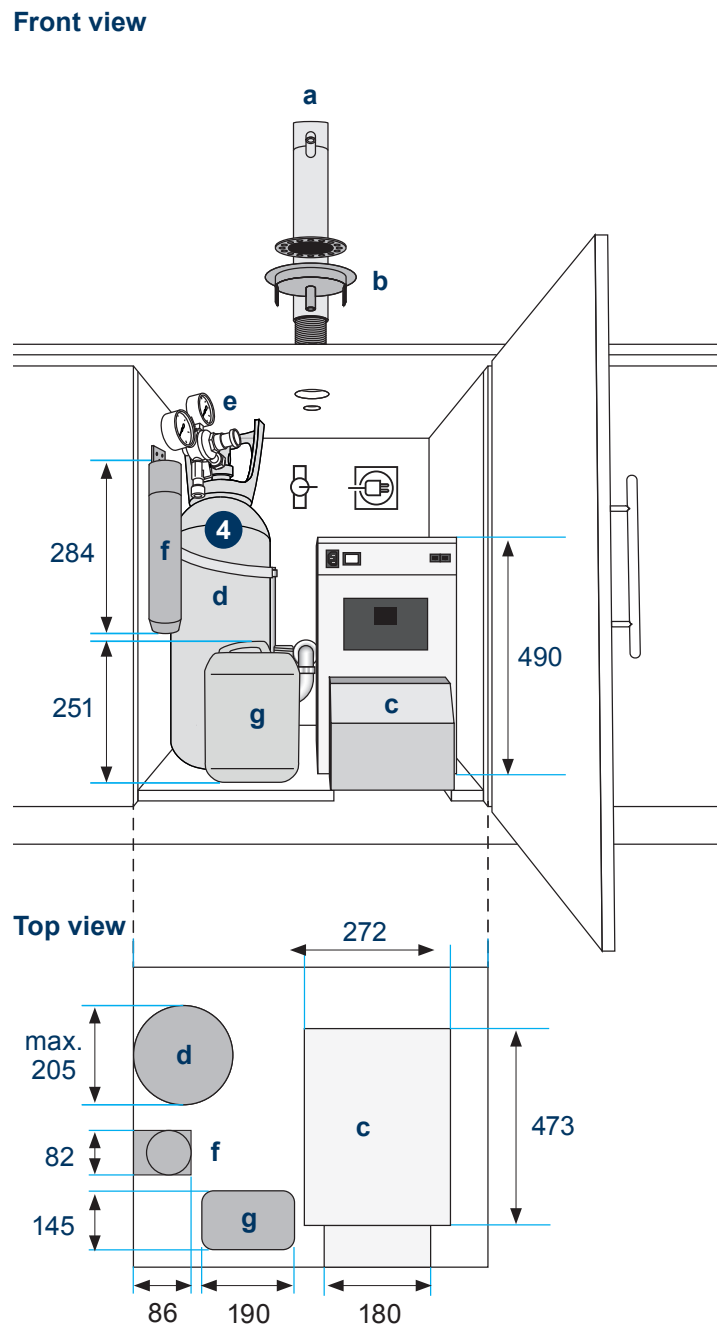
The water dispenser must be installed in such a manner that there is sufficient ventilation. Never cover or block ventilation slits and cooling fins.



### IV. Arrangement

All dimensions in mm.

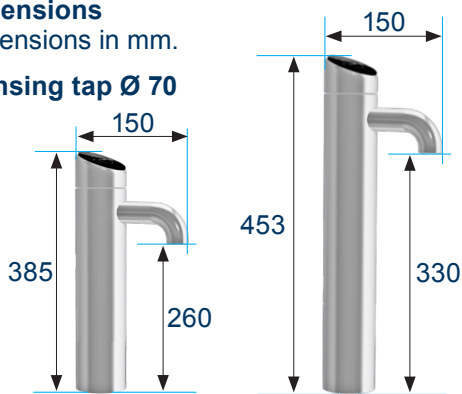
- a. Dispensing tap
- b. Integrated drip tray
- c. Cooler-Carbonator
- d. CO<sub>2</sub> bottle
- e. CO<sub>2</sub> pressure regulator
- f. Filter:
  - f1: CLARITY Taste 100  
(for VIVREAU Extra 50/ 85)
  - f2: CLARITY Protect 100  
(for VIVREAU Extra 50/ 85 HygienePlus)
- g. Optional: Waste water container



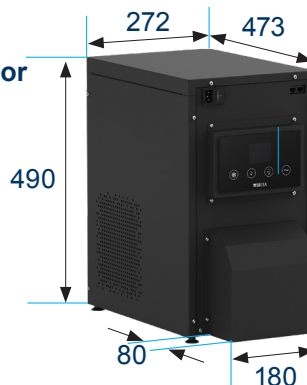
## V. Dimensions

All dimensions in mm.

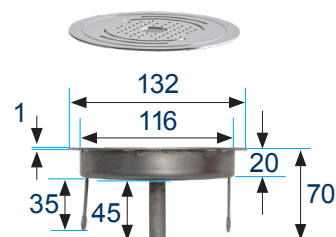
### Dispensing tap Ø 70



### Cooler-carbonator



### Drip tray Ø 116 (integrated)



## VI. Technical data

		VIVREAU Extra 50 VIVREAU Extra 50 HygienePlus	VIVREAU Extra 85 VIVREAU Extra 85 HygienePlus
Cooling capacity (l/h)		50	85
Minimum cupboard height (mm)		800	800
Dimensions Cooler-carbonator (W x H x D mm)		272 x 490 x 473	272 x 490 x 473
Dimensions tap	Diameter (mm)	70	70
	Height (mm)	385 / 453	385 / 453
Dispensing height (mm)		260 / 330	260 / 330
Weight (kg)	Tap	1.8 / 2.5	1.8 / 2.5
	Cooler-carbonator	33	38.5
Max. flow rate (l/min)		2	2
Drip tray		Integrated	Integrated
Water types		Ambient, chilled still & chilled sparkling (medium & classic)	Ambient, chilled still & chilled sparkling (medium & classic)
Hygiene configuration		ThermalGate™ (Standard) HygienePlus (Optional)	ThermalGate™ (Standard) HygienePlus (Optional)
Waste water connection		Waste water pipe Waste water container (optional)	Waste water pipe Waste water container (optional)
Voltage (V)		230	230
Frequency (Hz)		50	50
Max. current (A)		2.0	2.4
Max. power consumption (W)		440	540
Min. fuse (A)		10	10
Protection class		I	I
CO <sub>2</sub> operating pressure (MPa / psi)		0.45 / 65	0.45 / 65
Max. inlet water pressure (MPa / psi)		0.6 / 87	0.6 / 87
System operating inlet water pressure (MPa / psi)		0.4 / 58 (at 2 l/min water flow)	0.4 / 58 (at 2 l/min water flow)
Inlet water temperature (°C)		5 - 25	5 - 25
Temperature range (°C)		16 - 32	16 - 32
Max. relative humidity (%)		60	60
Noise emission (dbA)		< 57	< 60
Refrigerant	Type	R290	R290
	g	54	68
Height above sea level (m)		< 2000	< 2000

BRITA GmbH  
Heinrich-Hertz-Str. 4  
65232 Taunusstein  
Germany

www.brita.net

BRITA Vivreau Ltd  
1st Floor  
Beaufort House  
Cricket Field Road  
Uxbridge UB8 1QG  
United Kingdom  
www.vivreau.com