

Smart Building and Hybrid Work Solutions

Cisco Talent and Collaboration Centers



ATL Tech Square Look Book

Version 14 (June 2, 2023) © 2023 Cisco and/or its affiliates. All rights reserved.



ATL Tech Square Look Book

Designing the office for the Hybrid World

Sitting on the campus of Georgia Institute of Technology, ATL Tech Square is Cisco's first Talent and Collaboration Center in the southeast region. Like other newly renovated Cisco offices in New York and Chicago, ATL Tech Square combines hyper-connectivity, cutting-edge green tech, and beautiful, vibrant design to completely upend assumptions about what an in-office experience can be.

ATL Tech Square is one of the most connected, sustainable, and collaborative work environments Cisco has ever built. Phase 1, which encompasses 62,000 ft² (5,760 m²) of space is designed for employees, customers, and partners to collaborate, learn, and socialize. Phase 2 will include an additional 20,000 ft² (1,860 m²) of hybrid working space and a 10,000 ft² (930 m²) Innovation Center, which will include Cisco's Networking Energy Center of Excellence.

Built on a Power over Ethernet (PoE) foundation, 100% of the lighting, shading, environmental controls, and sit-stand desks are low voltage, contributing to Cisco's sustainability (LEED) and health and wellness (WELL) goals. When combined with other technology elements – such as Cisco Collaboration Devices, Cisco Catalyst WiFi Access Points, Meraki Cameras, and Cisco Smart Workspace, all connected by the Cisco Catalyst Network – ATL Tech Square is the next step in Cisco's journey to digitize its real estate portfolio.

The intent of this document is to highlight the details, components and partners used in the creation of ATL Tech Square. Any reference herein to any specific commercial products or service does not necessarily constitute or imply its endorsement or recommendation.

▶ Key Design & Implementation Partners	3
▶ Enabling Technology	4
▶ Floor Plan	12
▶ Hot Desk	13
▶ Video Booth	15
▶ Quiet Room (1 and 2 Person)	16
▶ Traditional Huddle Room	19
▶ Casual Huddle Room	22
▶ Brainstorming Huddle Room	25
▶ Brainstorming Huddle Room - Oval	28
▶ Small Collaboration Room	31
▶ Small Brainstorming - Open Plan	34
▶ Medium Collaboration Room - Dual Display	38
▶ Medium Collaboration Room - Video Centric	41
▶ Medium Brainstorming Space	44
▶ Innovation Suite	47
▶ Large Collaboration Room	50
▶ Board Room	53
▶ Training Room	56
▶ Seminar	59

Key Design & Implementation Partners



FAITHFUL+GOULD

Owners Representative
& Project Management

ARCADIS

Architectural
Design Services

WT
WHITING-TURNER

Construction
Management

EOS
IT SOLUTIONS

Collaboration Design
& Implementation Services

DBS
Digital Building Solutions

Smart Building Design
& Implementation Services

office revolution

Interiors & Furnishings

Enabling Technology

Smart Building Components



molex

Low Voltage 90W PoE Lighting (employee zone), air quality / CO2, Temp, Humidity, VOC



Mecho

Intelligent automated shading platform

USAI[®]
Lighting

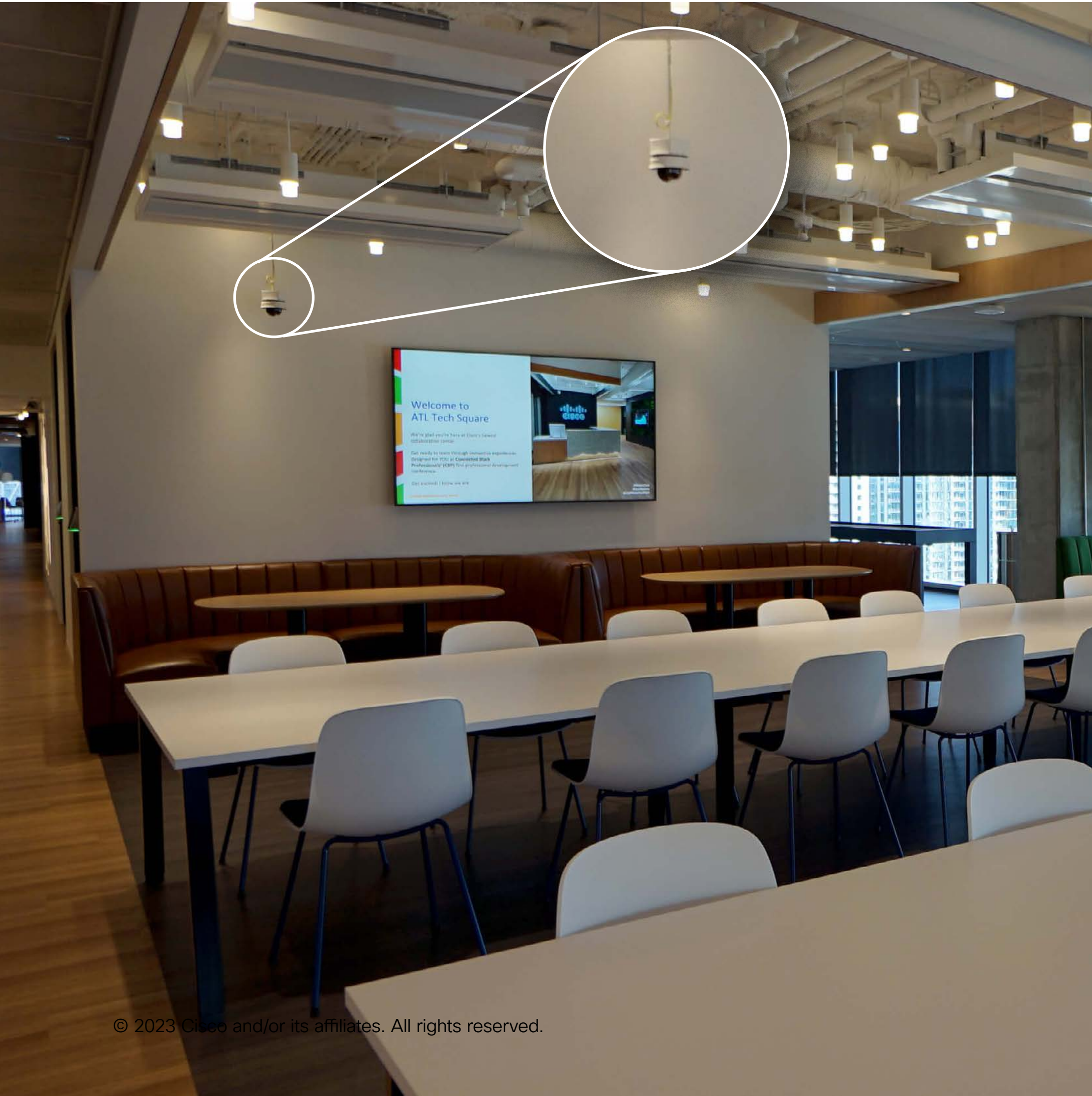
Luminary Lighting

mht

Low Voltage 90W Power over Ethernet (PoE) lighting and powered actuators for height adjustable desks, device charging, and environmental data integrated with DNA spaces

Enabling Technology

Smart Cameras



High-definition Indoor Security Cameras

Providing local storage of video and advanced object detection to support people counting.



Cisco Meraki MV22 Cloud Managed Security Camera



Enabling Technology

Cisco Smart Workspaces



Workplace visualization tool, leveraging data sources across all technology platforms to help employees make better decisions within the work environment.



Floor occupancy from wireless access points

Indoor air quality from wired sensors in lighting platform, Cisco collaboration devices in collaboration spaces/individual spaces

Desk occupancy from Cisco Desk Series devices located at hotdesks

Collaboration space availability using presence and people counting data from Cisco collaboration devices

Enabling Technology

Networking Elements



The Cisco Catalyst 9400 Switch provides connectivity for IT elements (video devices, wireless APs, IP Phones, smart cameras, etc.).

The Cisco Catalyst 90 watt UPOE+ 9300 stackable switching platforms is used to connect and power OT/smart building components (lighting, shading, thermostats, sensors, etc.).



The Cisco Catalyst 6E-compliant Wireless Access Points (APs) provide secure network connectivity for employees and guests.

The Cisco Catalyst 9136 and 9166 APs also have built in air quality (VoC) sensors, providing additional data on environmental performance.

Cisco Catalyst 9300 Switch

Cisco Catalyst 9400 Switch

Cisco Catalyst 9130AX Access Points



Enabling Technology

Cisco Video Devices



Cisco Room Bar



Cisco Room Kit EQ



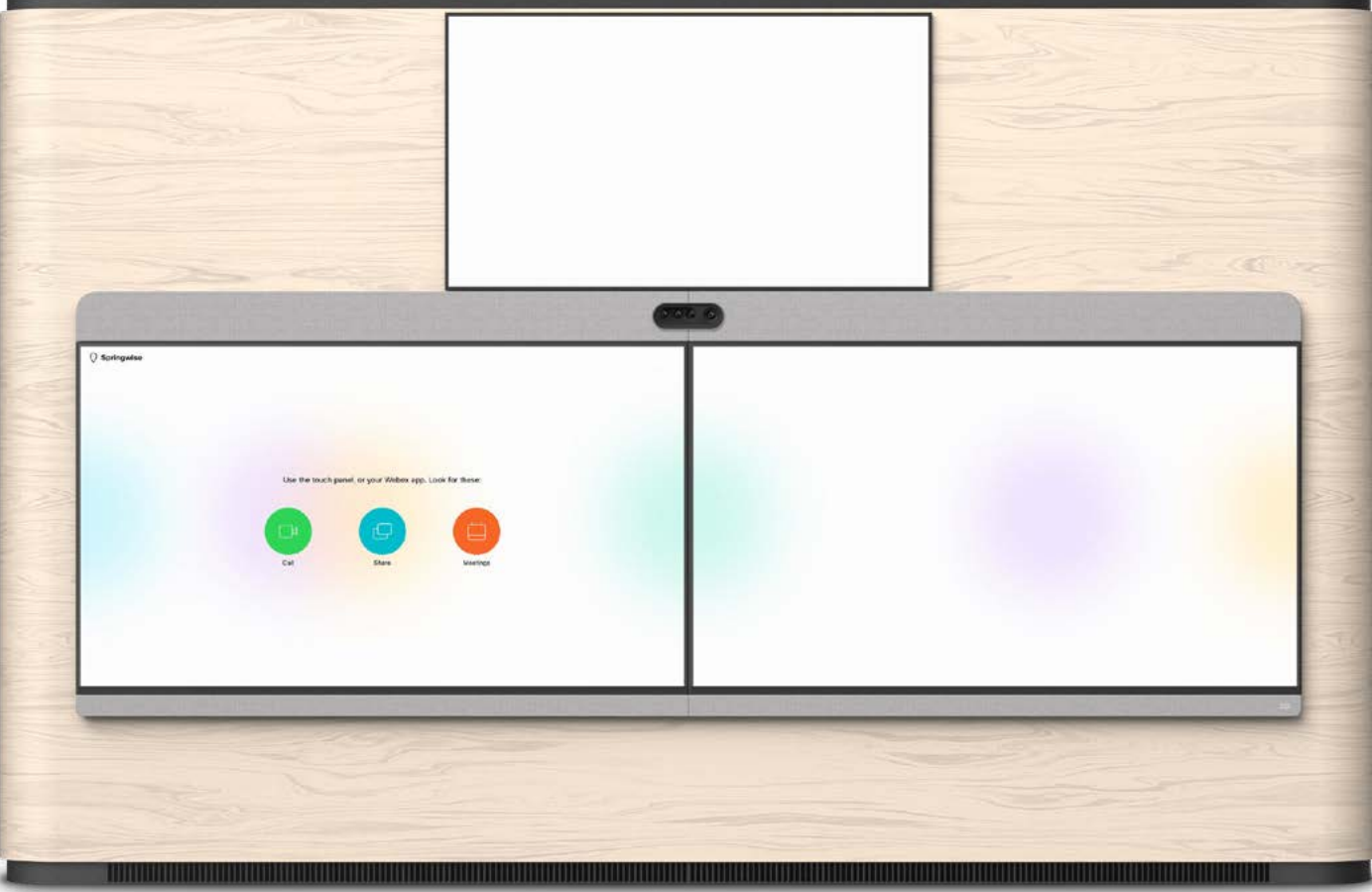
Cisco Room Kit Pro



Cisco Board Pro



Cisco Room Panorama



Cisco Desk Pro



Cisco Desk



Cisco Desk Mini



Cisco Ceiling
Microphones



Cisco Table
Microphone Pro

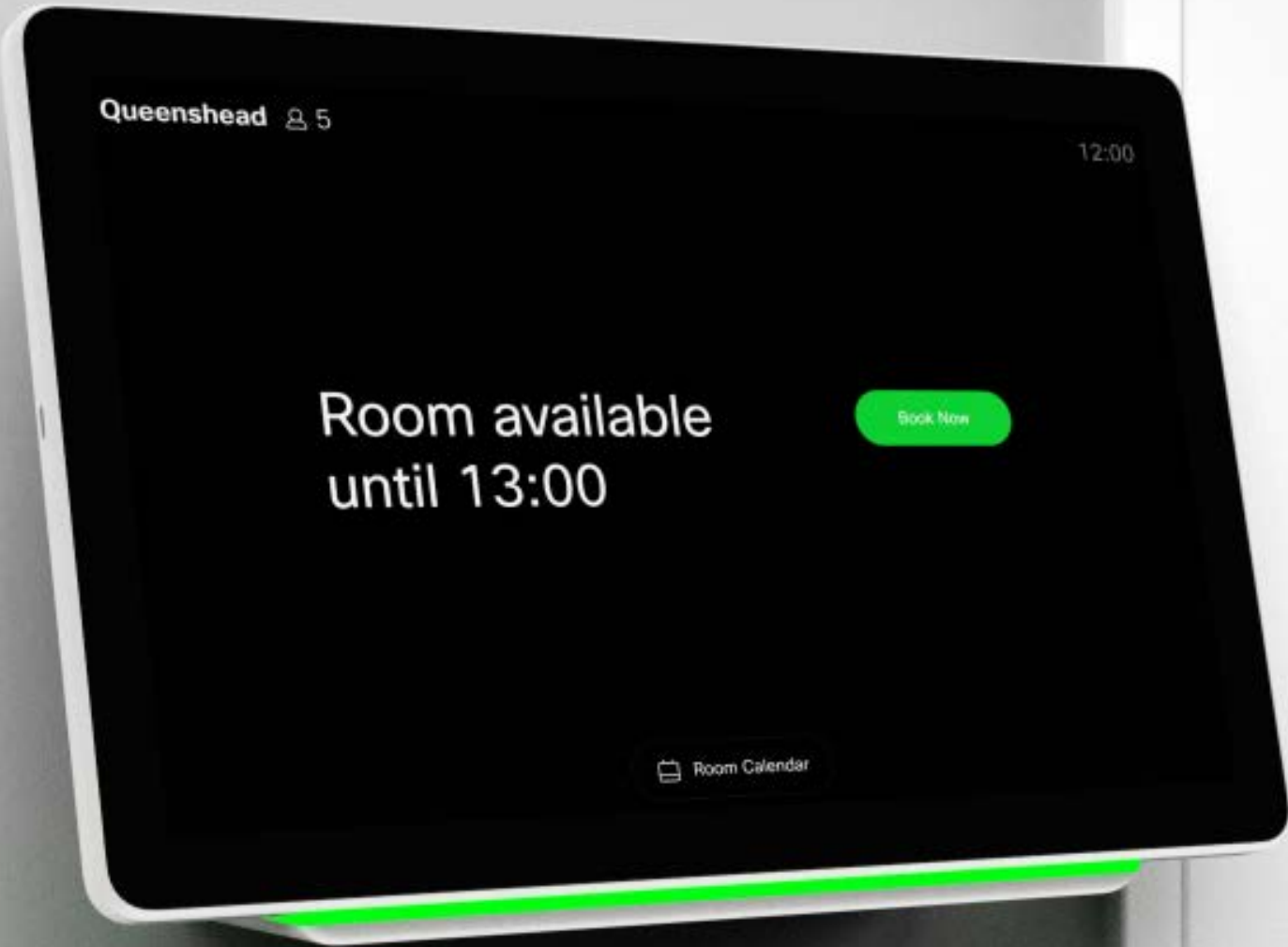


Enabling Technology

Room Signage

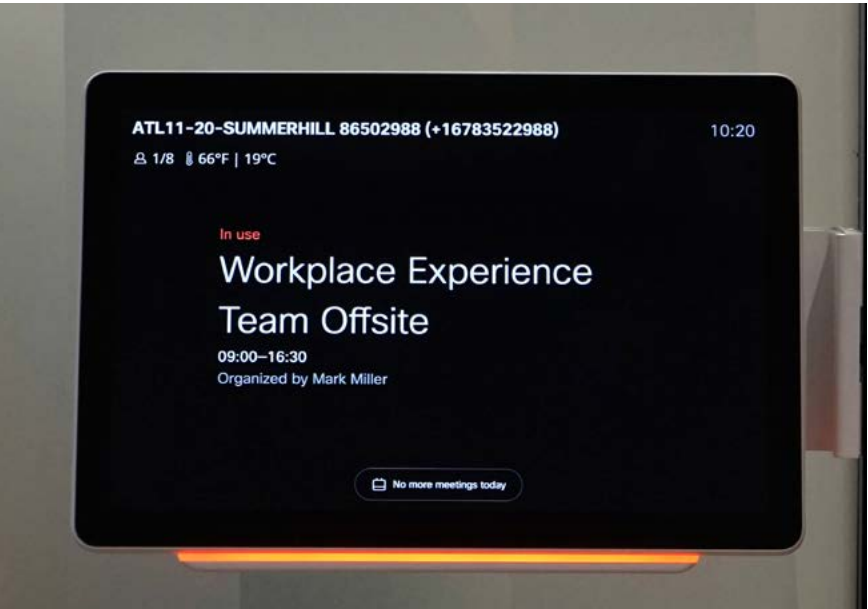
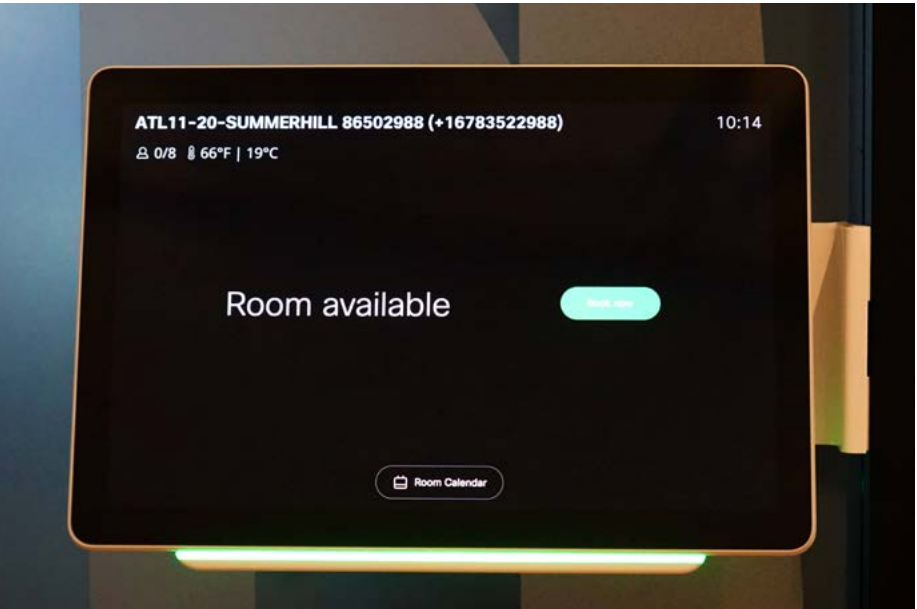


Cisco Room Navigator for Wall



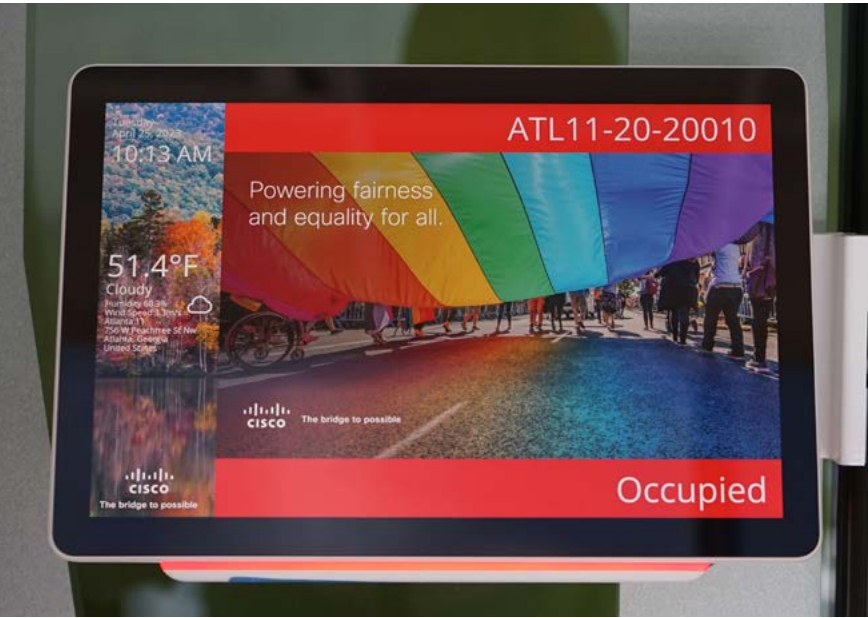
Bookable Rooms

Cisco Room Navigator for Wall – through its integration with O365, Exchange and Google Calendar – enables seamless room booking, calendar view, meeting information, and meeting extension with a few taps on the touch screen.



Adhoc Rooms

The Cisco Room Navigator for Wall uses an in-house developed web app to change the display and LED light based on occupancy, green available, and red for occupied.



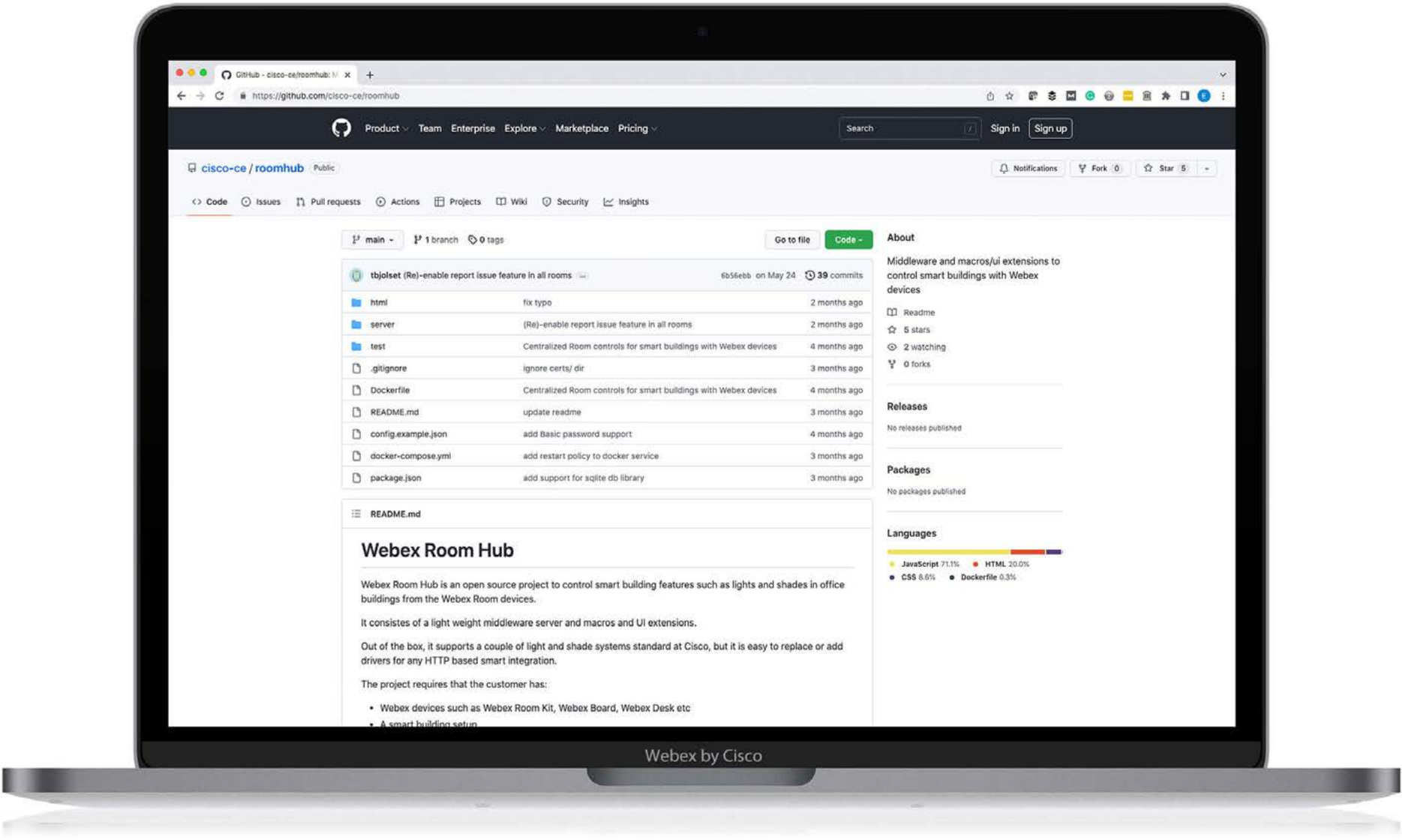
Enabling Technology

Building System Integration



Leveraging the open APIs available from the smart building systems and the UI Extension feature within the Cisco collaboration devices, custom buttons have been installed on the Cisco Board Pros, Cisco Desk/Desk Pros, and the Cisco Room Navigator to control lights and shades in the collaboration spaces.

These smart building controls are also available via voice command in selected rooms using Webex Assistant (“Hey Webex, lower the shades,” “Hey Webex, turn off the lights,” etc.). The integrations leverage the openness of the smart building APIs and the Cisco collaboration devices, and do not require using any third-party control systems (Crestron, AMX, etc.). They are now available on GitHub for download and use.



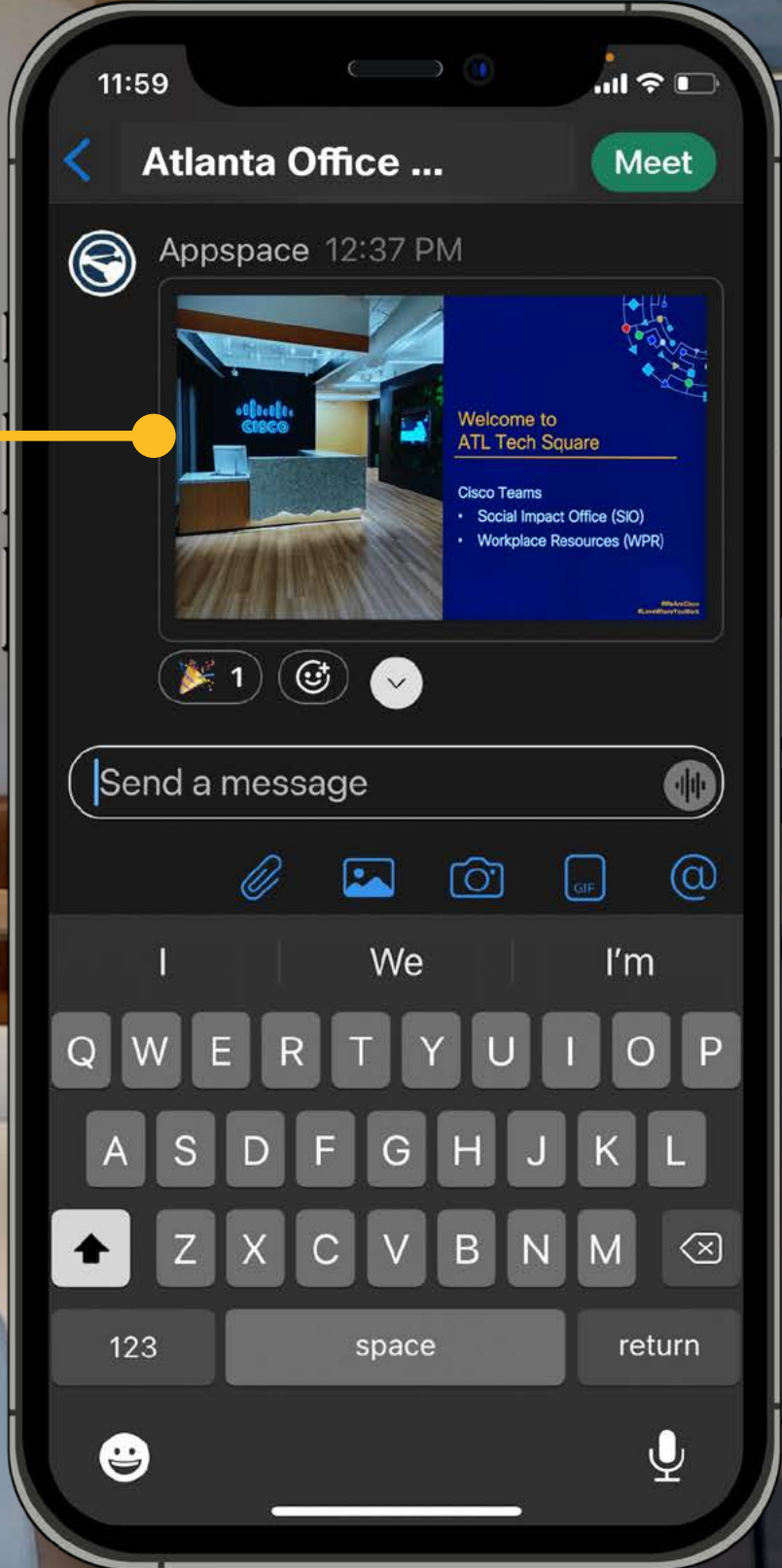

Enabling Technology

Digital Signage



Appspace Digital Signage on Samsung 85" display

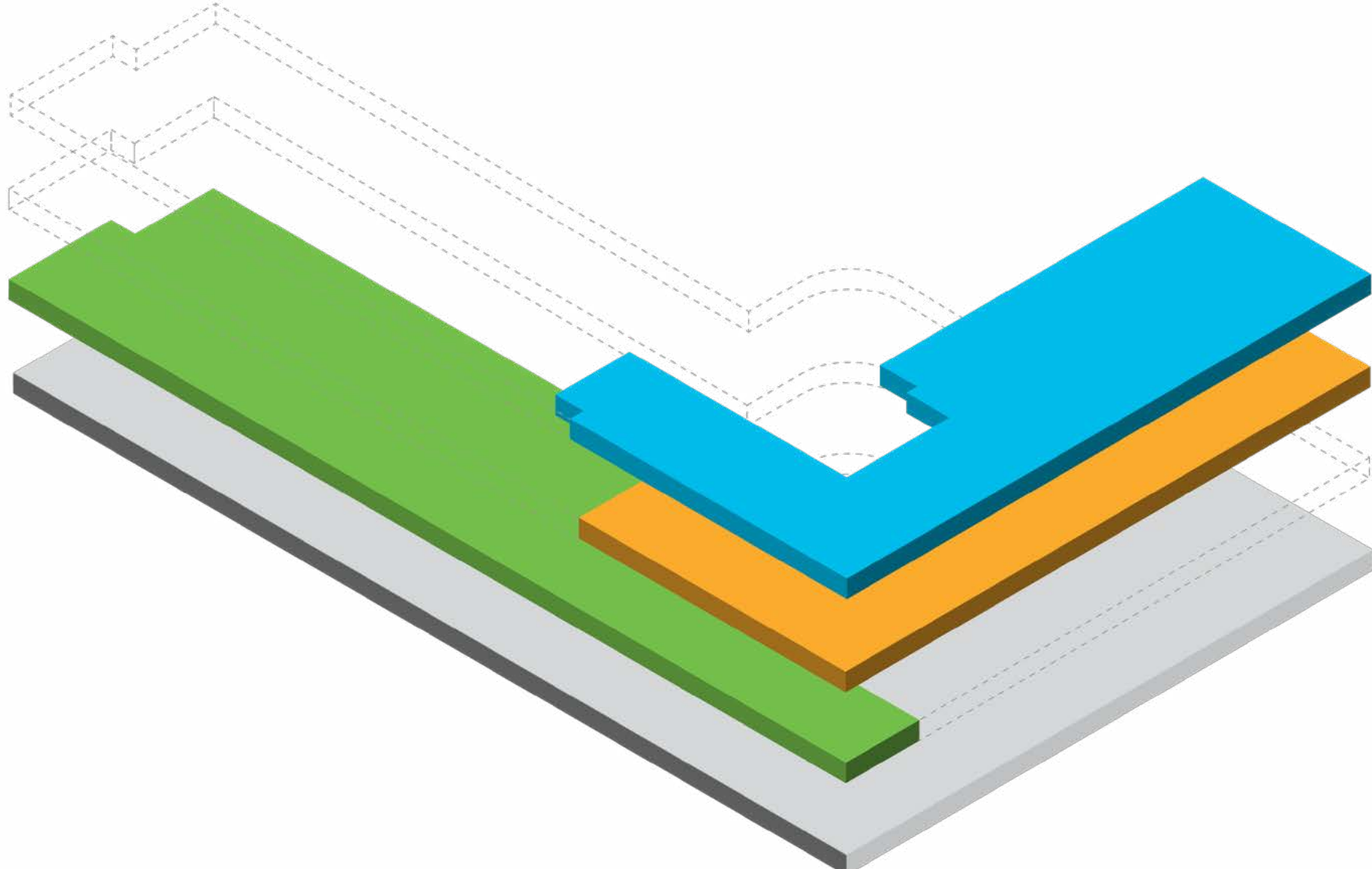
Simultaneous display of local office signage within the Webex app, via Appspace bot.



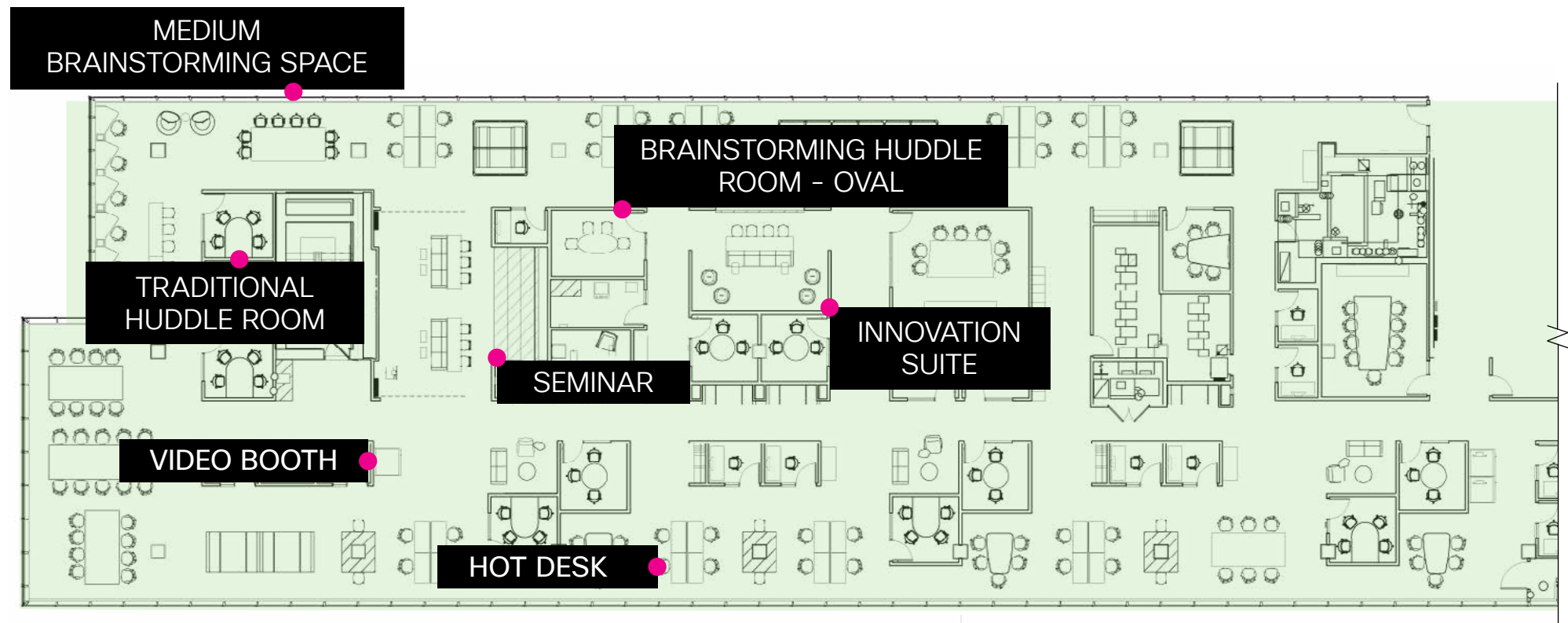
Floor Plan



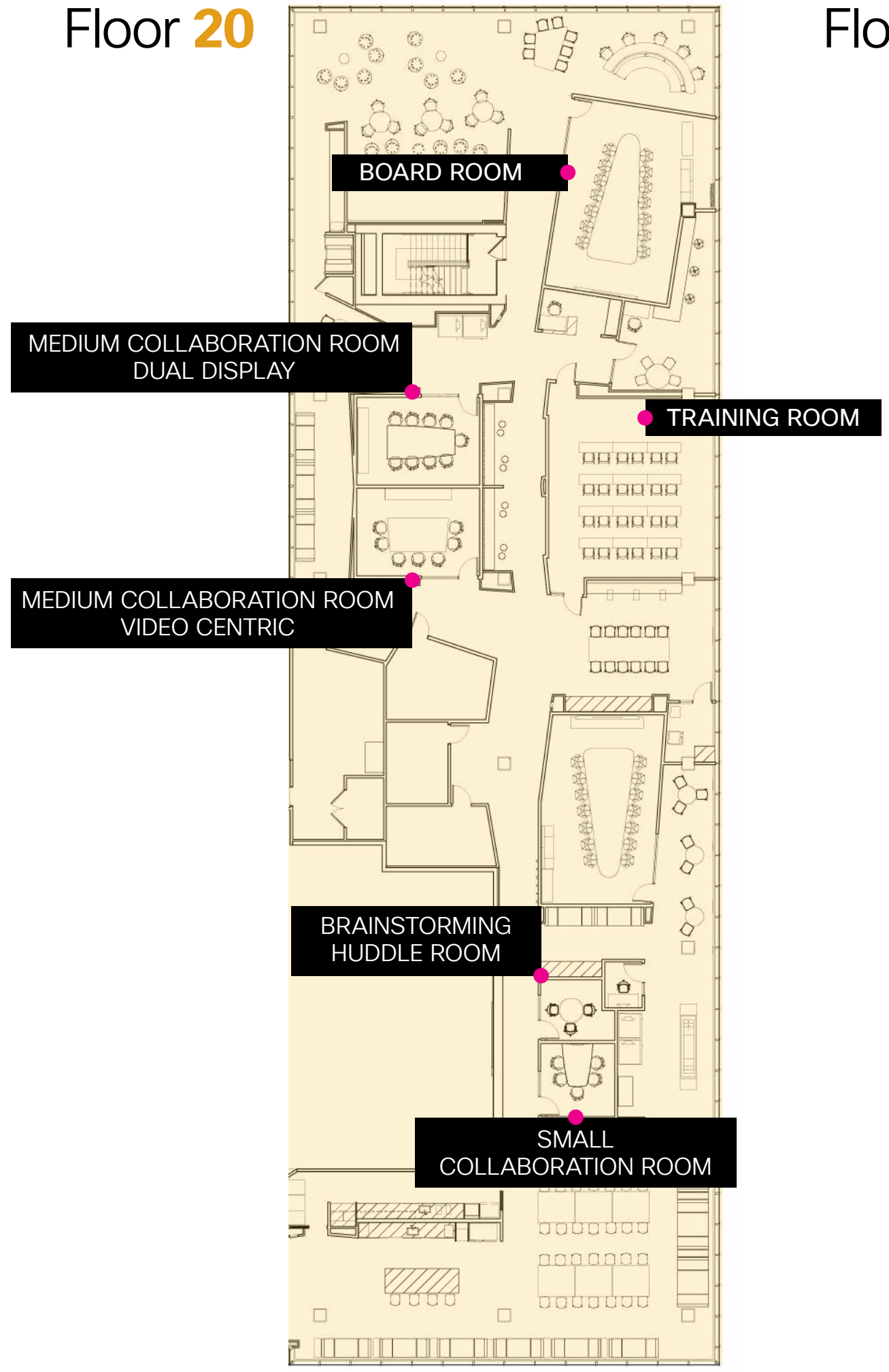
Floor 21
 Floor 20
 Floor 18



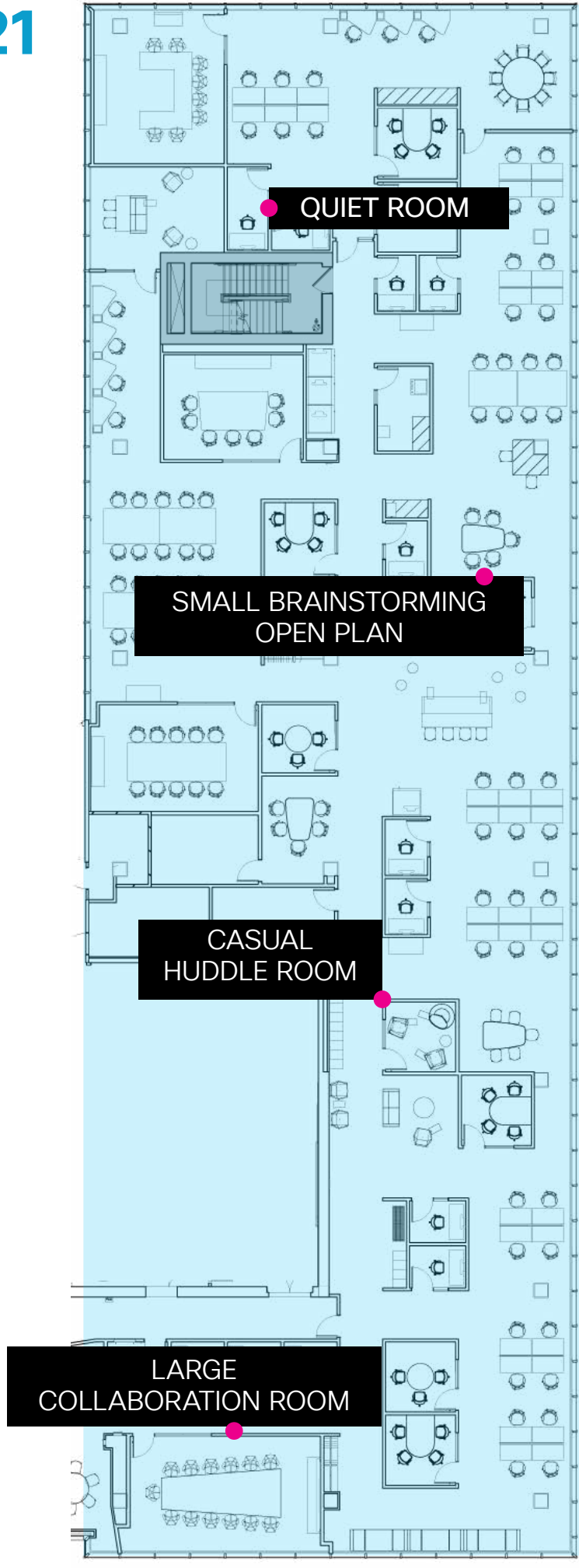
Floor 18



Floor 20



Floor 21



Hot Desk

Overview



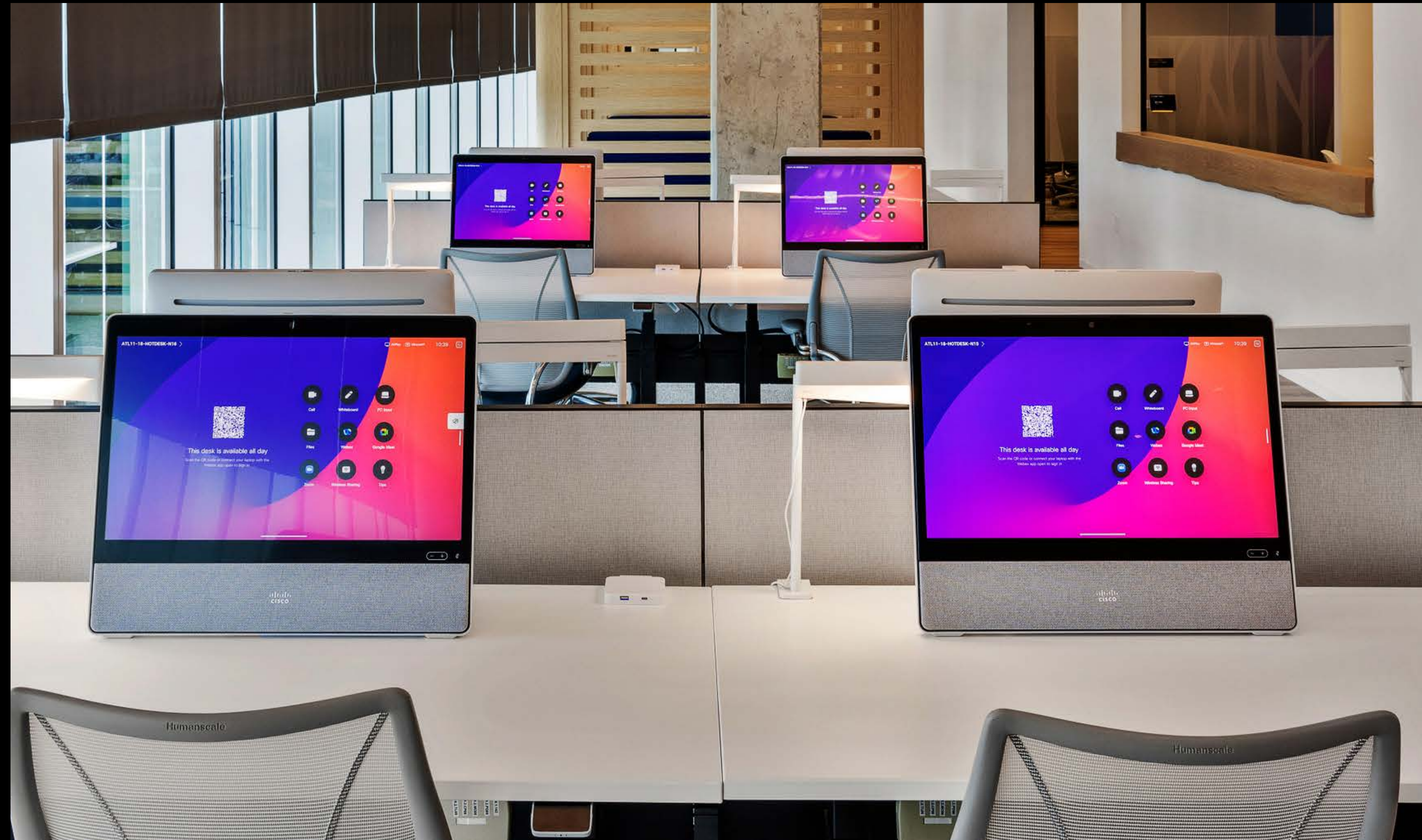
Providing areas for people to do focus work or passively participate in a remote meeting is critical in the hybrid work environment, and the hot desk is the ideal space for these activities.

In ATL Tech Square, the hot desks are 100% low voltage and powered by the network. This includes powering the height adjustable motor, task light, USB-A and USB-C convenience outlets for laptop and mobile device charging, as well as the Cisco Desk device.

With a simple scan of the QR code, employees can sign in and book the desk for a few hours or for the rest of the day. Hot desking turns the Webex Desk into the employee's personal meeting device, enabling meeting notifications, One Button to Push, and whiteboarding. The device can also be used as a secondary display.

Features

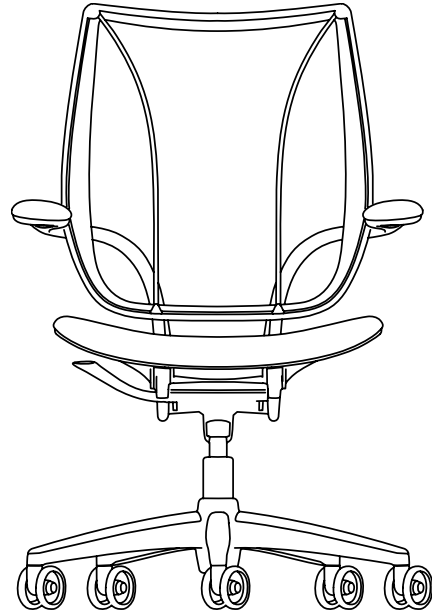
- Cisco Desk
- Teknion Navigate Height-Adjustable Table
- MHT PoE Power Module
- Humanscale Liberty Task chair
- Planet Tech PoE Splitter



Hot Desk Components



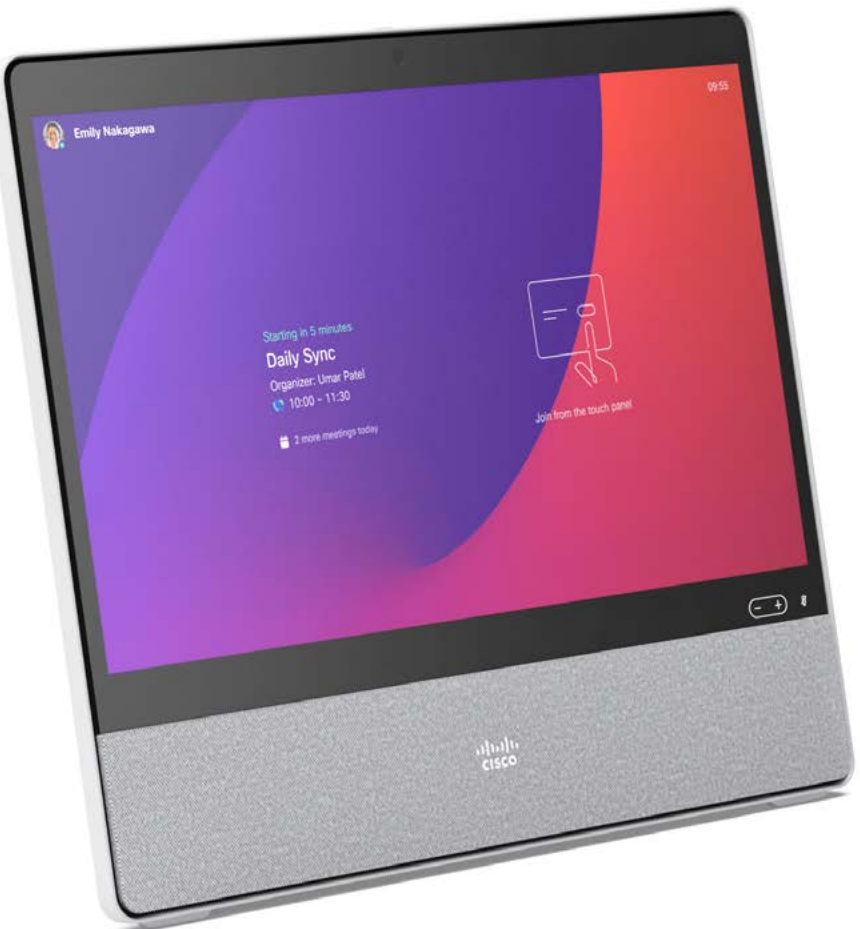
Humanscale Liberty Task Chair



- Armrest/Armpad**
Fixed Duron Arms
- Frame Color**
Silver with Silver Trim
- Back Mesh**
Pinstripe (Color: White)
- Seat Textile**
Fourtis (Color: Granite Box Stitching)

Humanscale

Cisco Desk



CISCO

Teknion Navigate Height Adjustable Table with PoE conversion kit



PoE Conversion
Kit by: mht

teknion

Planet Tech PoE Splitter



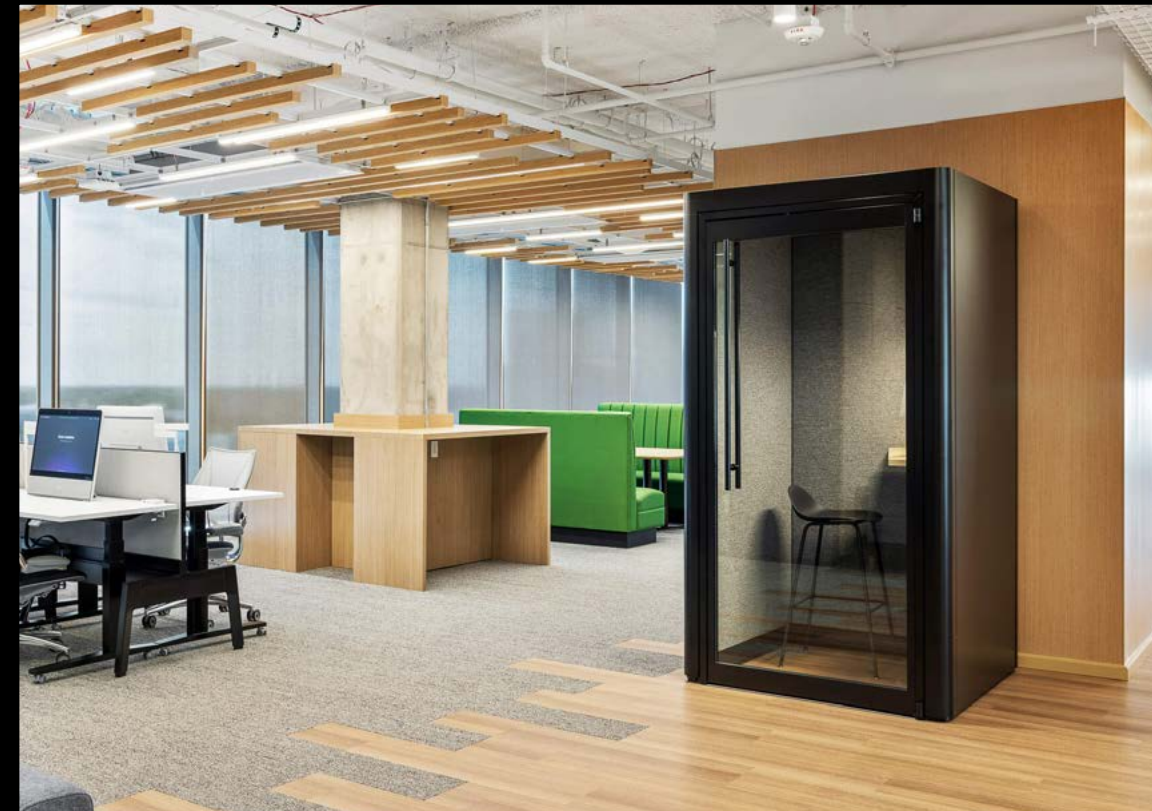
POE-173S Single-Port 10/100/1000Mbps 802.3bt PoE++ Splitter
The POE-173S 802.3bt PoE splitter supports passive 10/100/1000Mbps Ethernet connection and distance up to 100 meters.

PLANET

Video Booth



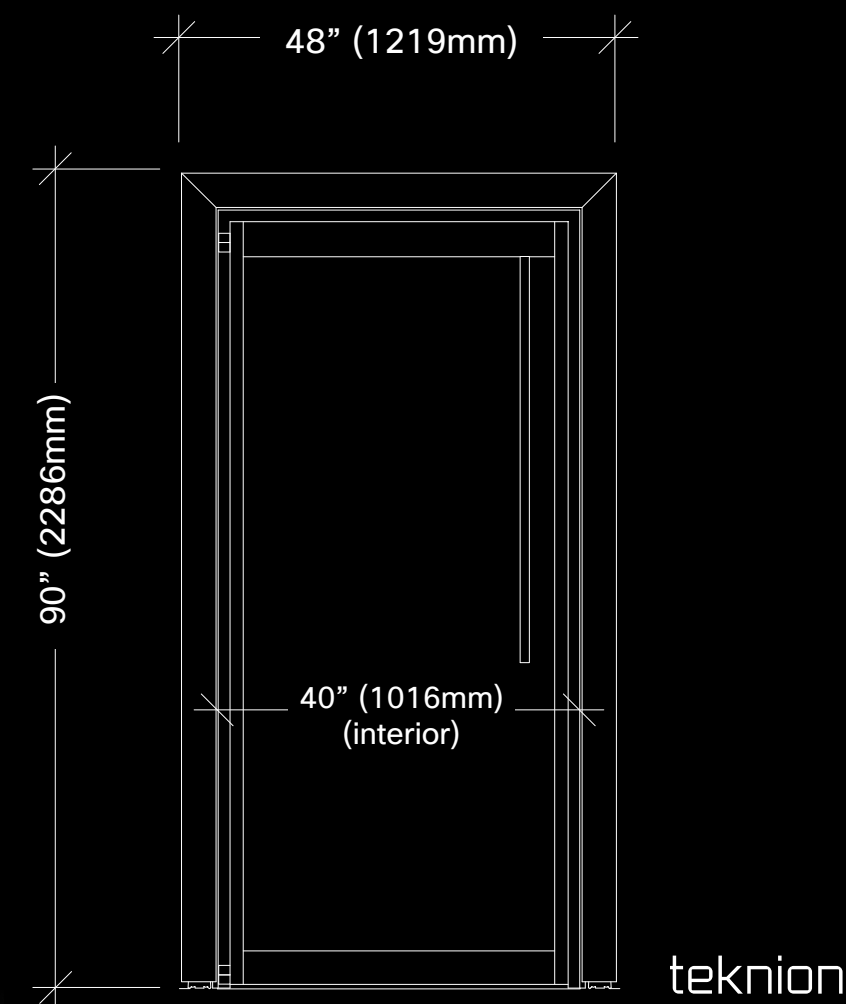
Ideal for short-duration privacy from the open plan, these free-standing spaces are equipped with a Cisco Desk Mini to enable video, desktop sharing, and whiteboarding.



Cisco Desk Mini



Teknion Tek Booth



Quiet Room (1 and 2 Person)

Overview



The one and two-person quiet rooms are the great space when employees and/or visitors need privacy to take a video call, carry out focused work, collaborate with another individual, or simply need a bit more screen space.

Features

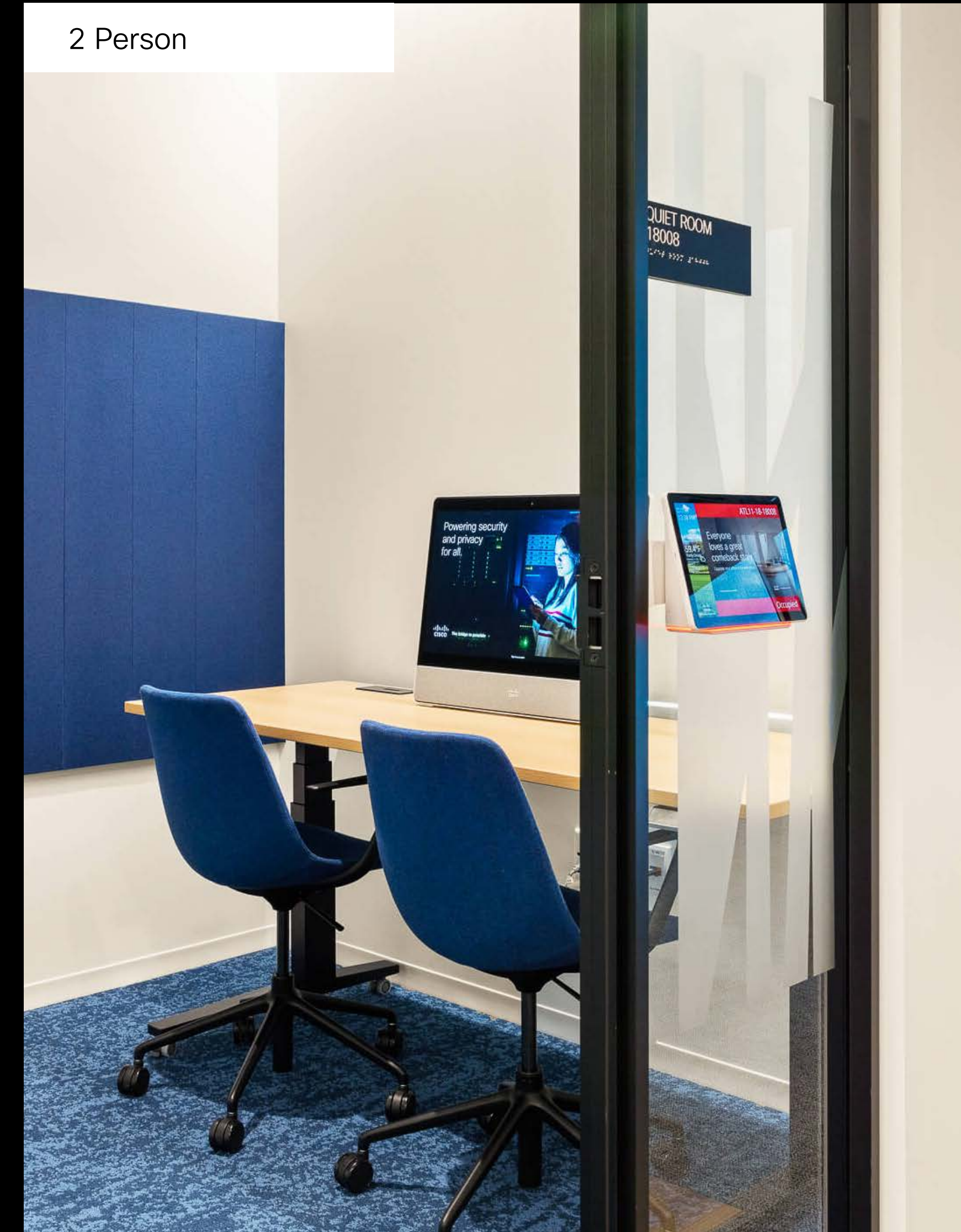
- Cisco Desk (1 person) and Cisco Desk Pro (2 person)
- Teknion Navigate Height-Adjustable Table
- Boss Ola Chair



1 Person



2 Person

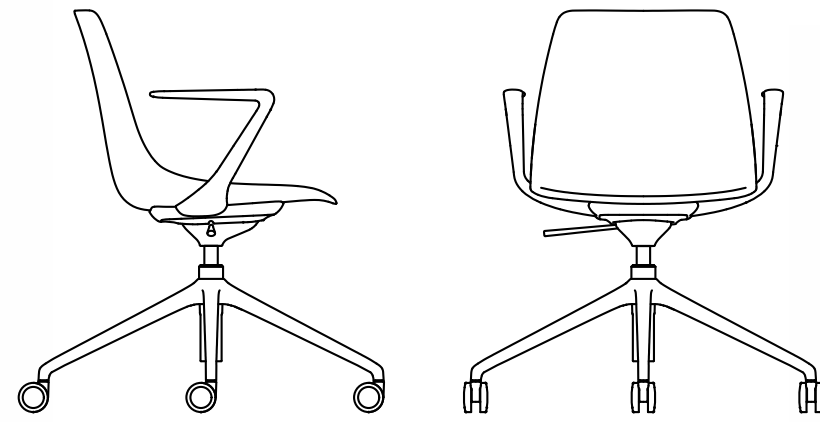


Quiet Room (1 and 2 Person)

Components



Boss Ola Chair



Fully Upholstered plastic shell, 5-star base with casters, height adjustable with back tilt mechanism and fixed z-arms
Fabric: Camira Main Line Flax



Cisco Desk Pro



Cisco Desk



Teknion Navigate Height-Adjustable Table

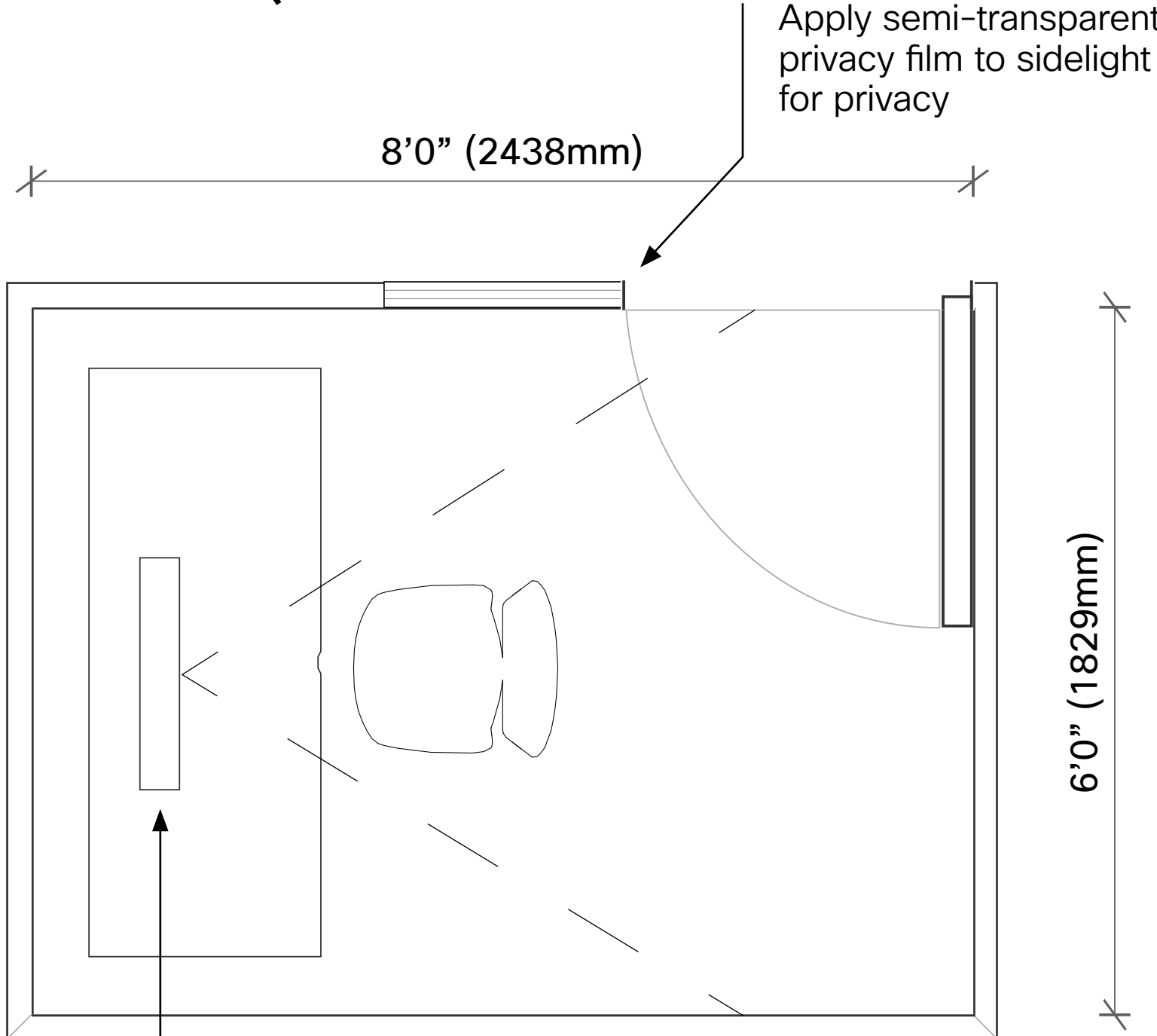


Quiet Room (1 and 2 Person)

Room Layout

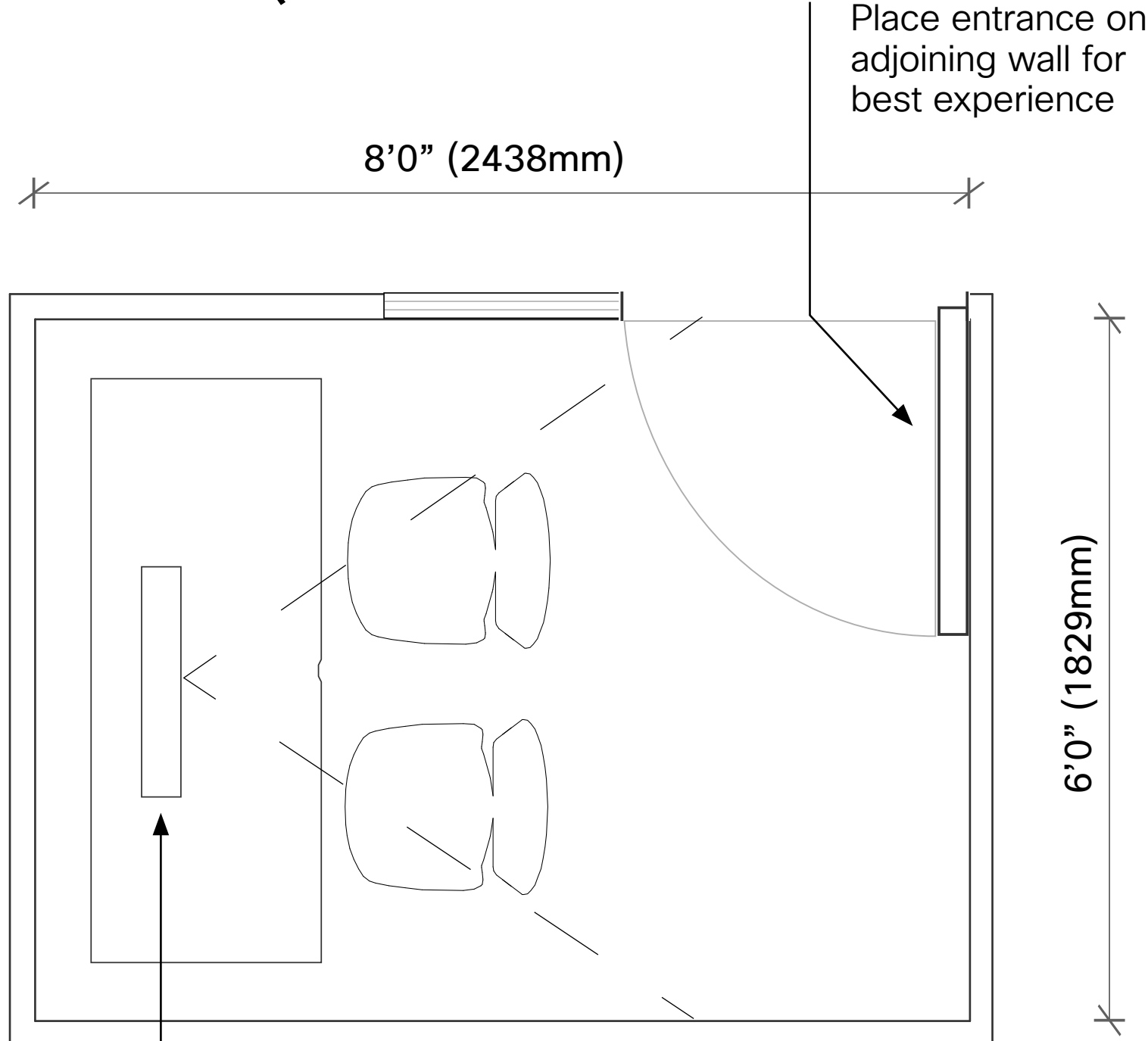


1 Person Quiet Room



Cisco Desk
(64° Horizontal FoV)

2 Person Quiet Room



Cisco Desk Pro
(71° Horizontal FoV)

Note: Optimal size is nominal 8'x6' (2438mm x 1829mm), with a 5' (1524mm) table, 1 person room can go to 7'x5' (2134mm x 1524mm) with a 4' (1291mm) table if needed

Traditional Huddle Room

Overview



Making it easy for small groups to come together to share information, brainstorm, and solve problems is absolutely critical. In ATL Tech Square, we've replaced personal offices with dozens of huddle rooms and smaller collaboration spaces, each designed for this exact purpose. All of these spaces are video-enabled, ensuring the right resources can come together, regardless of where they are.

The Traditional Huddle Room is a superb space for small group collaboration, especially when you need to bring in that important remote participant. Wireless sharing allows you to display content effortlessly in local and virtual meetings.

Features

- Cisco Room Bar
- Single 43" display (LG, Panasonic, Samsung, or Sony)
- Nienkamper Gateway Table (D-Shape)
- Boss Ola Chair

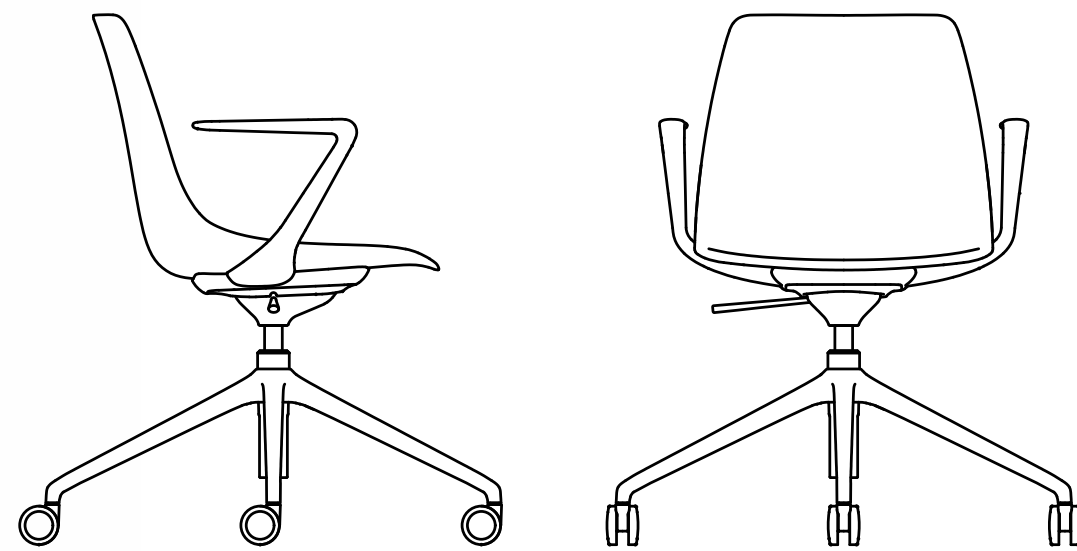


Traditional Huddle Room

Components



Boss Ola Chair



Seat Upholstery
Camira Main Line Flax

Base
Black

boss

Nienkamper Gateway Table (D-Shape)

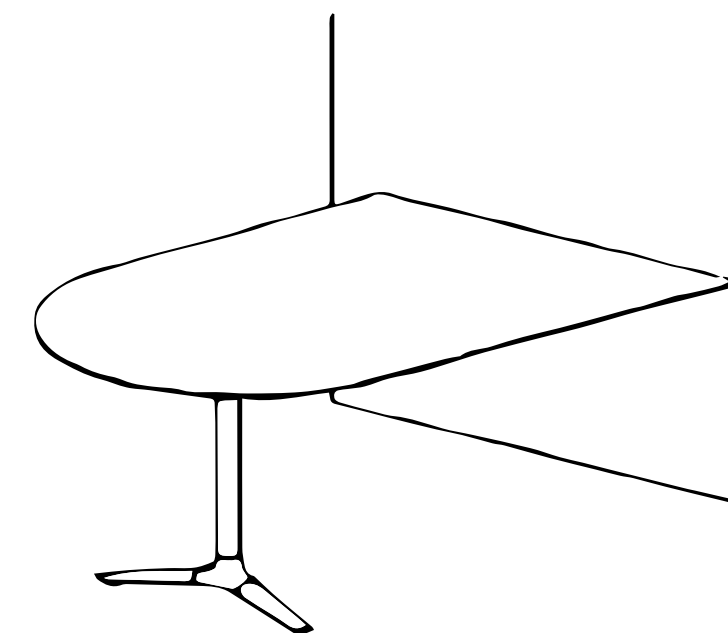
Laminate top
Taper edge on 3 sides and self edge on wall mounted side, New Age Oak finish

Base
Black Jack

60" W X 28.5" H X 42" D
(1524mm W X 724mm H X 1067mm D)



Power Forum finish
Black



Cisco Room Bar

CISCO



Single 43" Display

(LG, Panasonic, Samsung, or Sony)

LG Panasonic SAMSUNG SONY



nienkamper

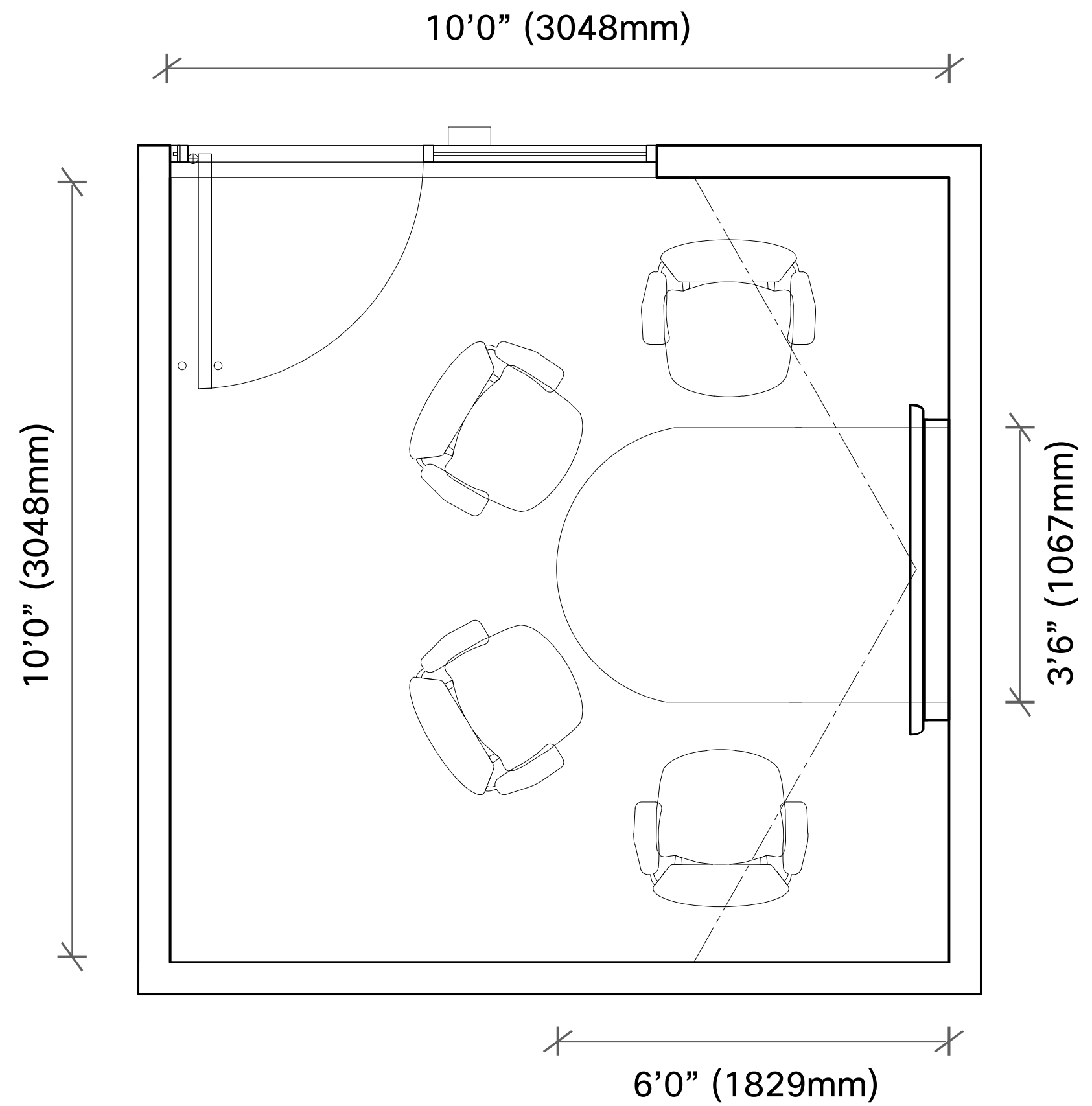
Traditional Huddle Room

Room Layout



10' x 10' (3048mm x 3048mm)

Optimal (4-Chairs)



Note: Floor plan depicts suggested nominal size.

Casual Huddle Room

Overview



The Casual Huddle is specifically designed for that informal meeting with colleagues, even when some of those colleagues are remote.

The soft seat is lightweight and highly flexible, allowing the space to adapt to any and all needs. The space can be deployed as an enclosed room as well as in the open plan. In addition, there are two technology options: a Cisco Room Bar for a video-centric experience or a Cisco Board Pro if co-creation is required..

Features

- Cisco Room Bar with a single 55" display (LG, Panasonic, Samsung, or Sony) or Cisco Board Pro 55 on a Salamander EZ Touch Wall Mount
- JSI Indie Lounge Chair
- DPG Fan Lounge Chair
- Hightower Kona Laptop Table




Casual Huddle Room


Components




Option 1




Cisco Room Bar





Single 55" Display



Stylex Share Sofa Fully Upholstered



(2) Integrated Power Ports,
Fabric: Seat/Back - Maharam Beck Interlude,
Arms/Accent Band - Maharam Beck Inkpad
Legs: White Oak

STYLEX

JSI Indie Lounge Chair



Lounge chair with 4 leg wood base and frame, fully upholstered
Fabric: Stinson Modernist Lapis
Wood Frame: White Oak Whitewash

36" x 31.5" x 29.25" x 17.25"
(914mm x 800mm x 743mm x 438mm)

JSI

Option 2



Cisco Board Pro 55





Salamander EZ Touch Adjustable Mount



DPG Fan Lounge Chair



Ashwood and leather seat pad
34.4" W x 44.1" H x 24.8" D x 14.2"
(874mm W x 1120mm H x 630mm D x 361mm)

Hightower Kona Laptop Table with Tablet Holder



Top: Ash Veneer
Base: Gray
21" W X 26" H X 14" D
(534mm W x 660mm H x 356mm D)

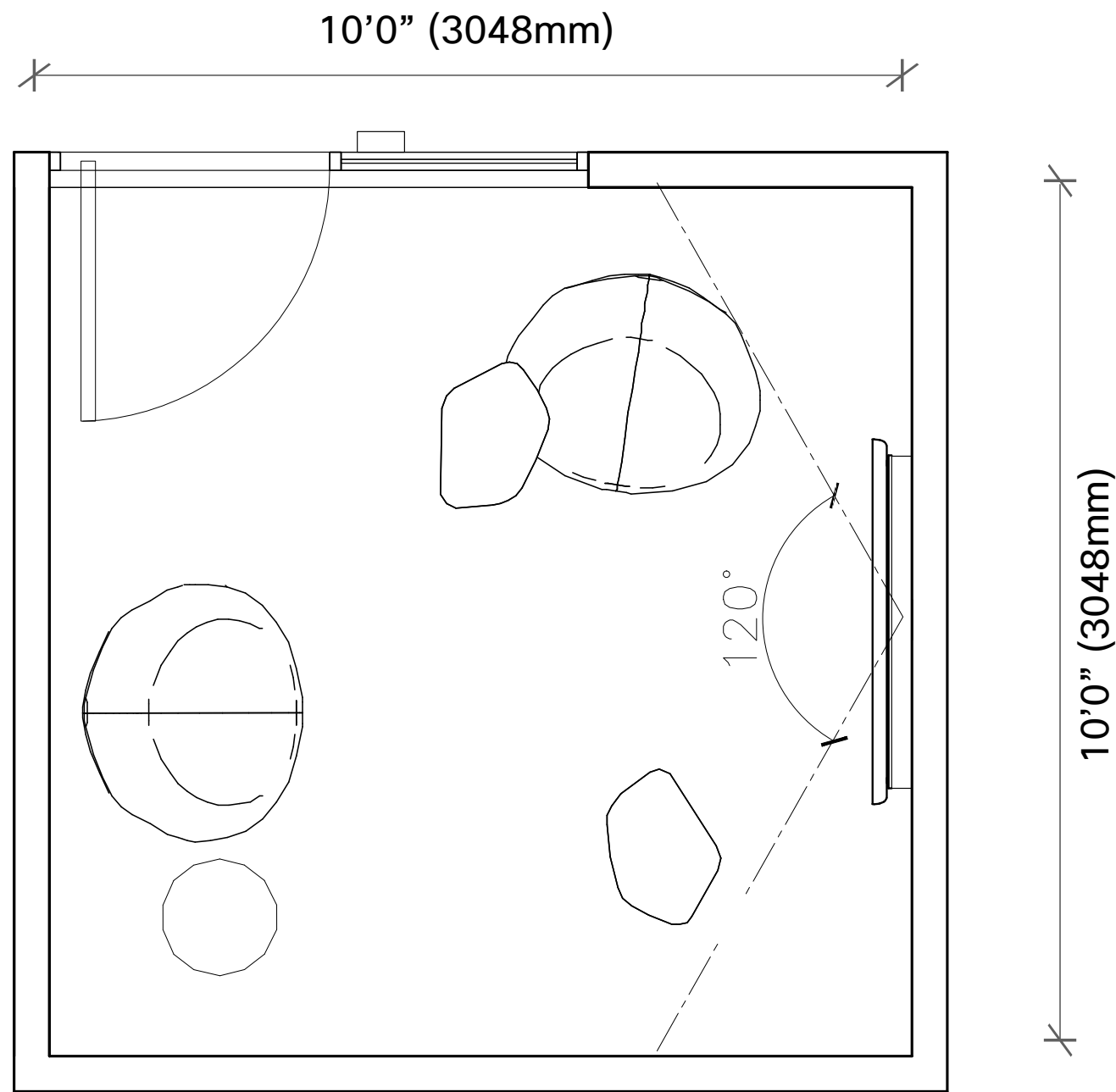
Hightower

Casual Huddle Room

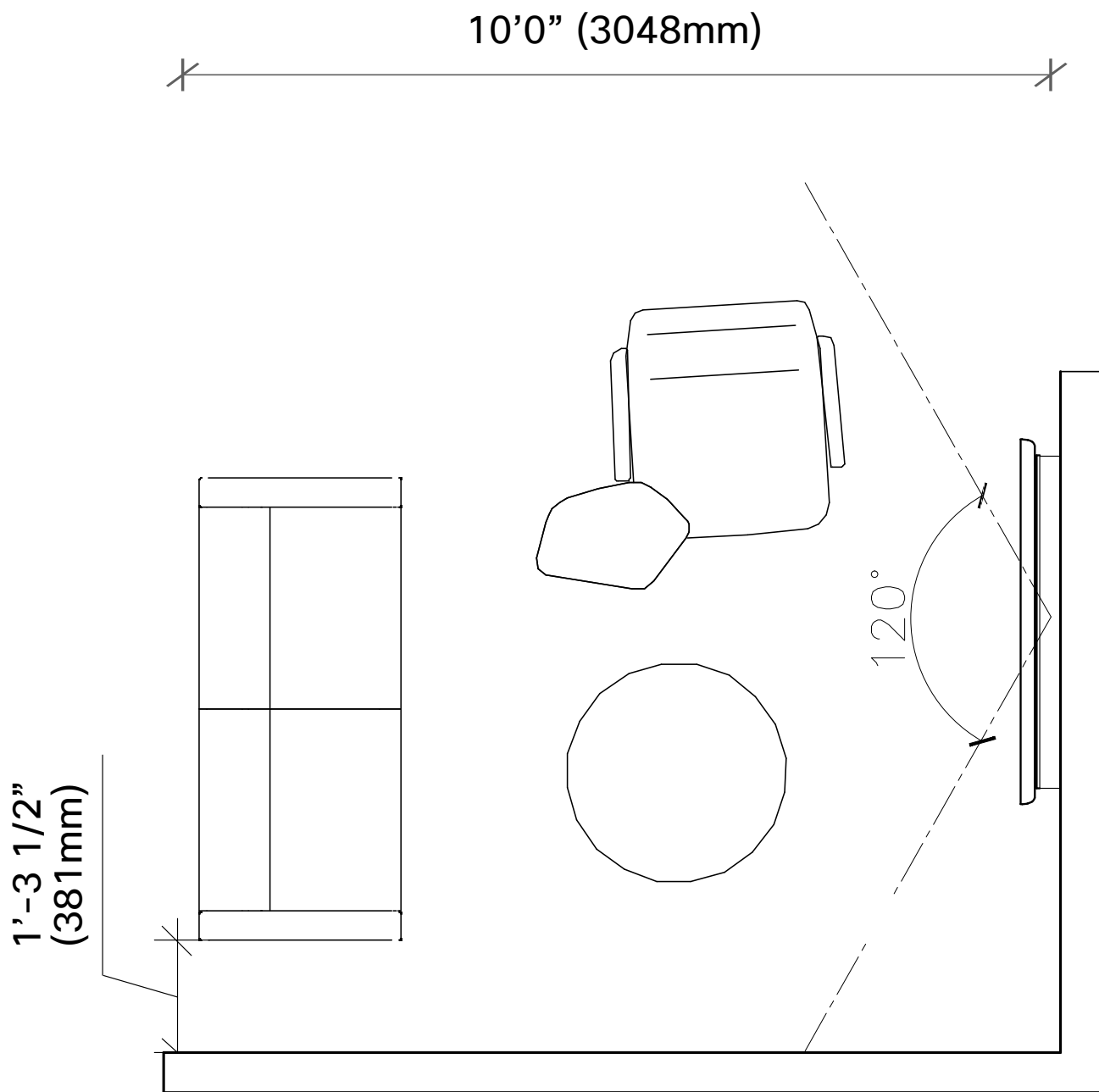
Room Layout



Enclosed Room Option



Open Plan Option



Note: Floor plan depicts suggested nominal size.

Brainstorming Huddle Room

Overview



A perfect space for an ad-hoc brainstorming session or when you want to co-create with a colleague on an important project.

In ATL Tech Square, there are two options for this workspace – bar and standard height. When paired with a bar height table, the Cisco Board Pro 55 is attached to the fully supported wall using the Cisco Board Pro wall mounting kit. When standard height furniture is used, the optimal configuration includes an adjustable height mount, allowing the device to be used both in a standing and seated position.

Features

- Cisco Board Pro 55, fixed wall mount (bar height) or Salamander EZ touch Wall mount (standard height)
- Boss Ola Chair (Standard Height) or Boss Ola Stool (Bar Height)
- Salamander EZ Touch Wall Mount (Standard Height) or Fixed Wall Mount (Bar Height)

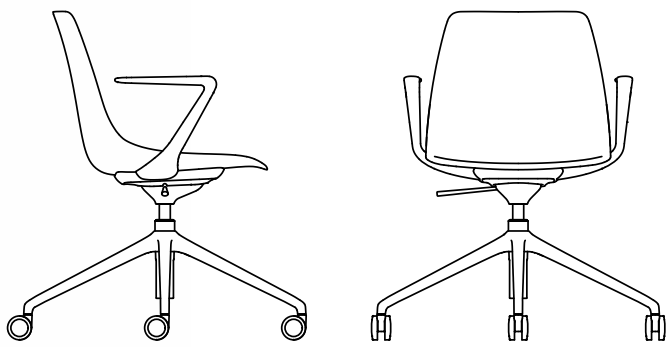


Brainstorming Huddle Room

Components



Boss Ola Chair



Fully Upholstered plastic shell, 5-star base with casters, height adjustable with back tilt mechanism and fixed z-arms
Fabric: Camira Main Line Flax



Boss Ola Stool



Fully Upholstered plastic shell, armless
Fabric: Camira Main Line Flax Victoria
Legs: Black
18.5" W x 45.25" H x 21" D x 29" seat (470mm W x 1149mm H x 533mm D x 737mm seat)

boss

Cisco Board Pro 55



Nienkamper Gateway Round Table

Laminate top and Cruciform base
Flush Mount Simple Forum
Laminate Top: New Age Oak
Base: Black Jack
48" W x 30"/42" H (1219mm W x 762mm/1067mm H)



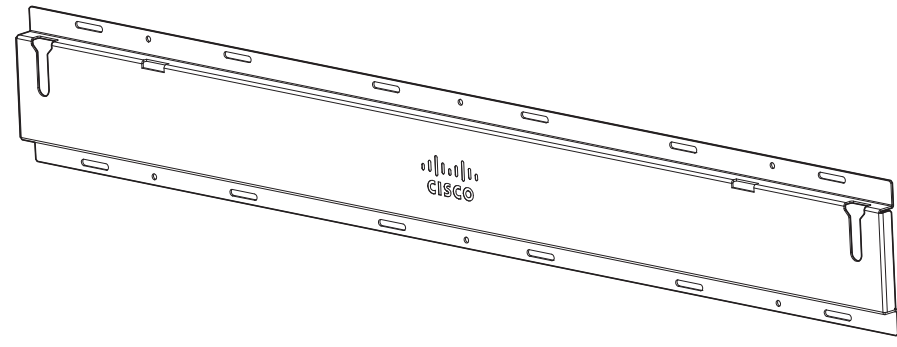
Power Forum
1 Power module
Finish Black



nienkämper

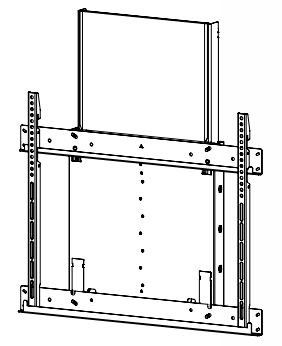
Cisco Board Pro Wall Mounting Kit

Board Pro 55 wall mount bracket



CISCO

Salamander EZTouch Mount

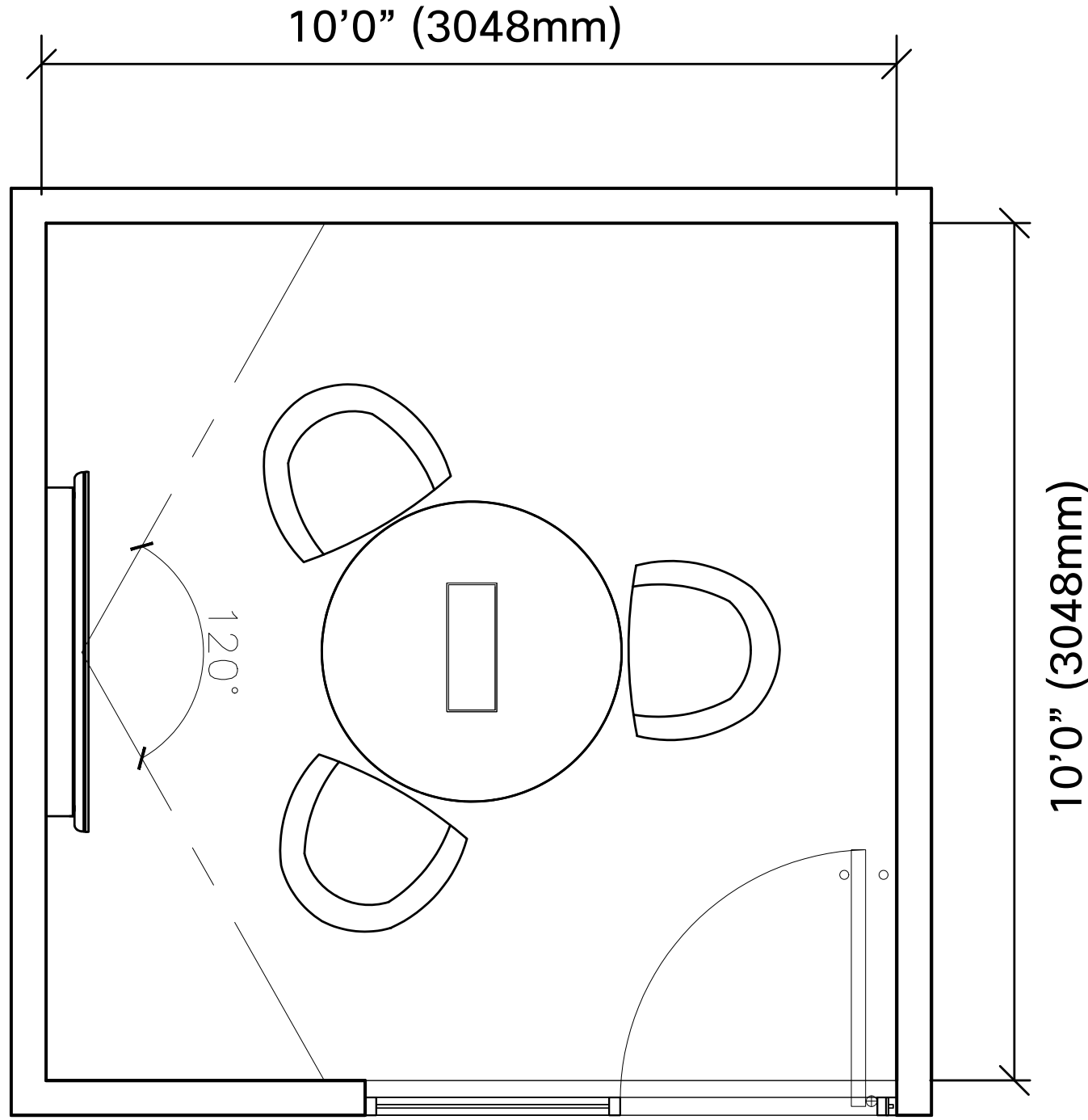


CISCO



Brainstorming Huddle Room

Room Layout



Note: Floor plan depicts suggested nominal size.

Brainstorming Huddle Room - Oval

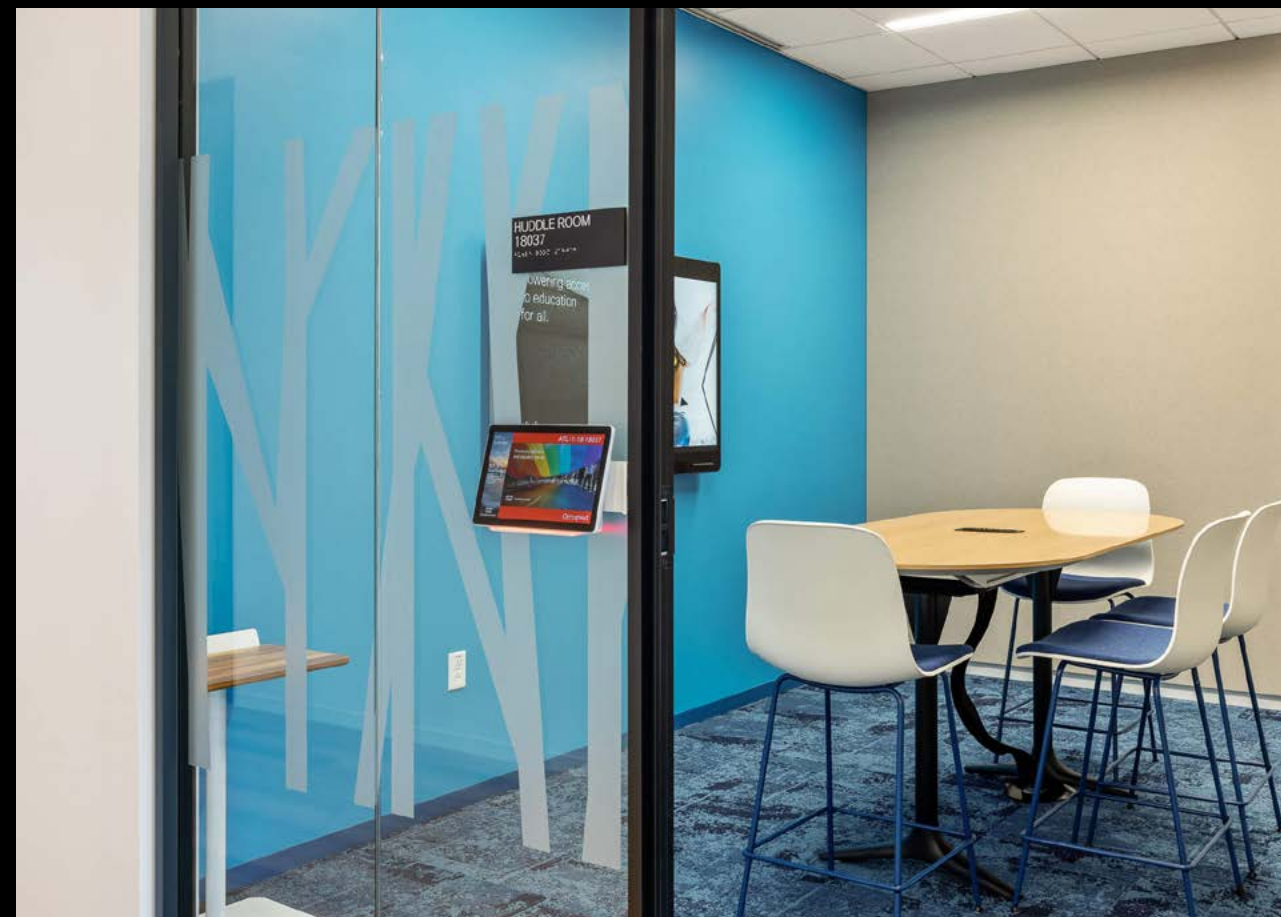
Overview



Turn a small room into a space for big ideas. The Cisco Board Pro allows users to co-create, share content, or join a video call. The counter height table and chairs change the attendee's posture and encourage people to get up and interact with this all-in-one device.

Features

- Wall mounted Cisco Board Pro 55
- Nienkamper Vox Standing Height Table
- Stylex Verve Counter Stool



Brainstorming Huddle Room - Oval

Components



Stylex Verve Counter Stool



Counter height stool, plastic shell and upholstered seat pad, 4-leg metal frame
 Fabric: Camira Main Line Flax Victoria
 Legs: Navy
 Plastic Shell: Milk
 19" W x 41" H x 19" D x 26" seat height
 (483mm W x 1041mm H x 483mm D x 660mm seat height)

STYLEX

Nienkamper Vox Standing Height Table TB-21



Table with Standing Height & Trough
 Trapezoid Shape
 Laminate top
 Wilsonart-Natural Rift 7954-38, fine velvet finish
 Base
 Black
 72" W x 38" H x 60/72" D
 (1829mm W x 965mm H x 1524/1829mm D)



Power Forum finish
 Black

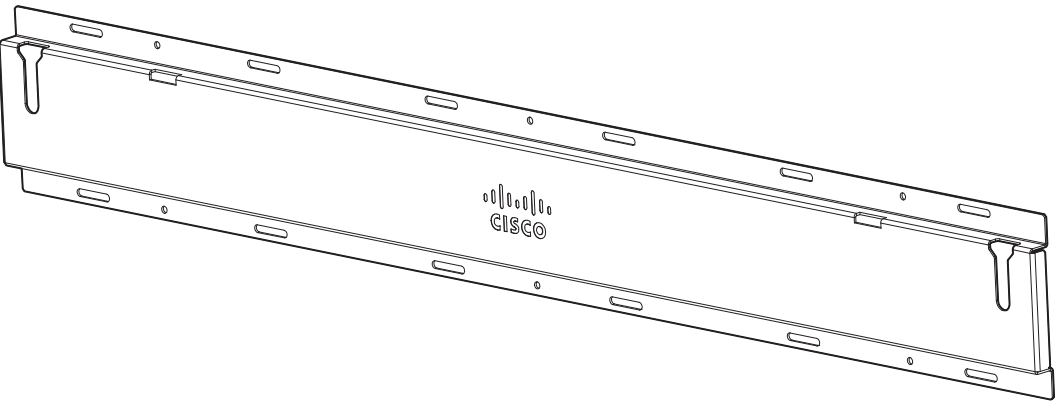
nienkämper

Cisco Board Pro 55



Cisco Board Pro Wall Mounting Kit

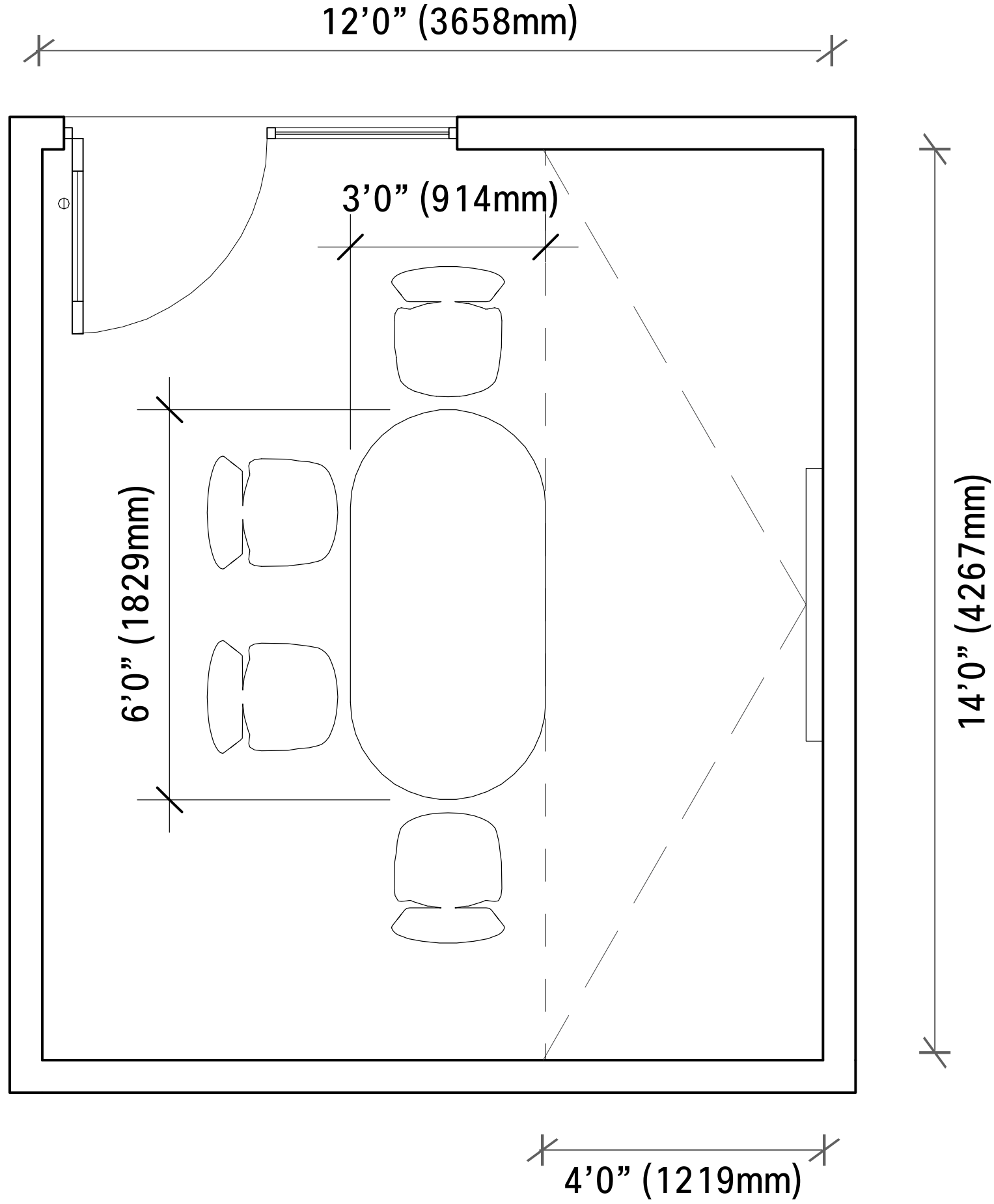
Board Pro 55 wall mount bracket



CISCO

Brainstorming Huddle Room - Oval

Room Layout



Note: Floor plan depicts suggested nominal size.

Small Collaboration Room

Overview



Small groups get work done. These small collaboration rooms are great spaces to bring in-person and remote colleagues together. The 120° field of view of the Cisco Room Bar ensures everyone is in view.

Features

- Cisco Room Bar
- Single 55" Display (LG, Panasonic, Samsung, or Sony)
- Neinkamper Gateway Table
- Humanscale Liberty Task Chair

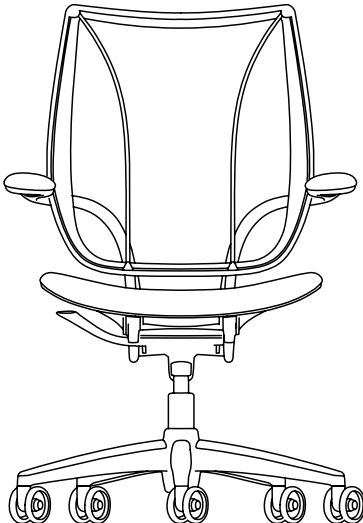


Small Collaboration Room

Components



**Humanscale Liberty
Task Chair**



- Armrest/Armpad**
Fixed Duron Arms
- Frame Color**
Silver with Silver Trim
- Back Mesh**
Pinstripe (Color: White)
- Seat Textile**
Fourtis (Color: Granite Box Stitching)

Humanscale



Cisco Room Bar



Single 55" display
(LG, Panasonic, Samsung, or Sony)



Nienkamper Gateway TB-09

Table with Trapezoid Top, (1) simple forum with wood trough-6 ports

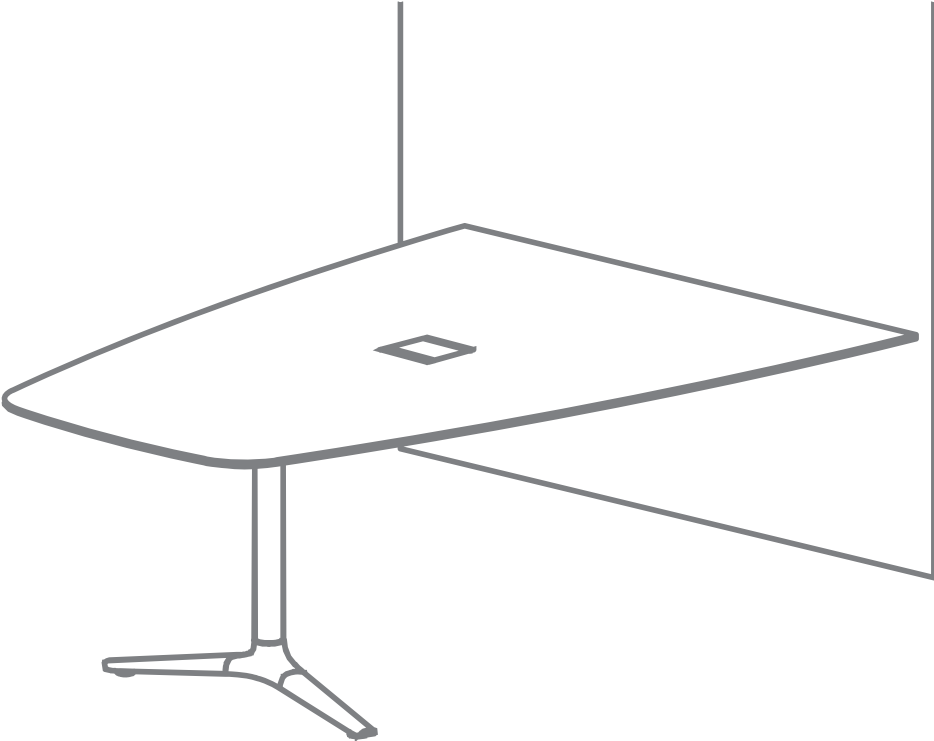
Wood finish top
#F18 Natural White Oak

Leg finish
Black

72" W x 28-1/2" H x 32"/55" D
(1829mm W x 724mm H x 813/1397mm D)



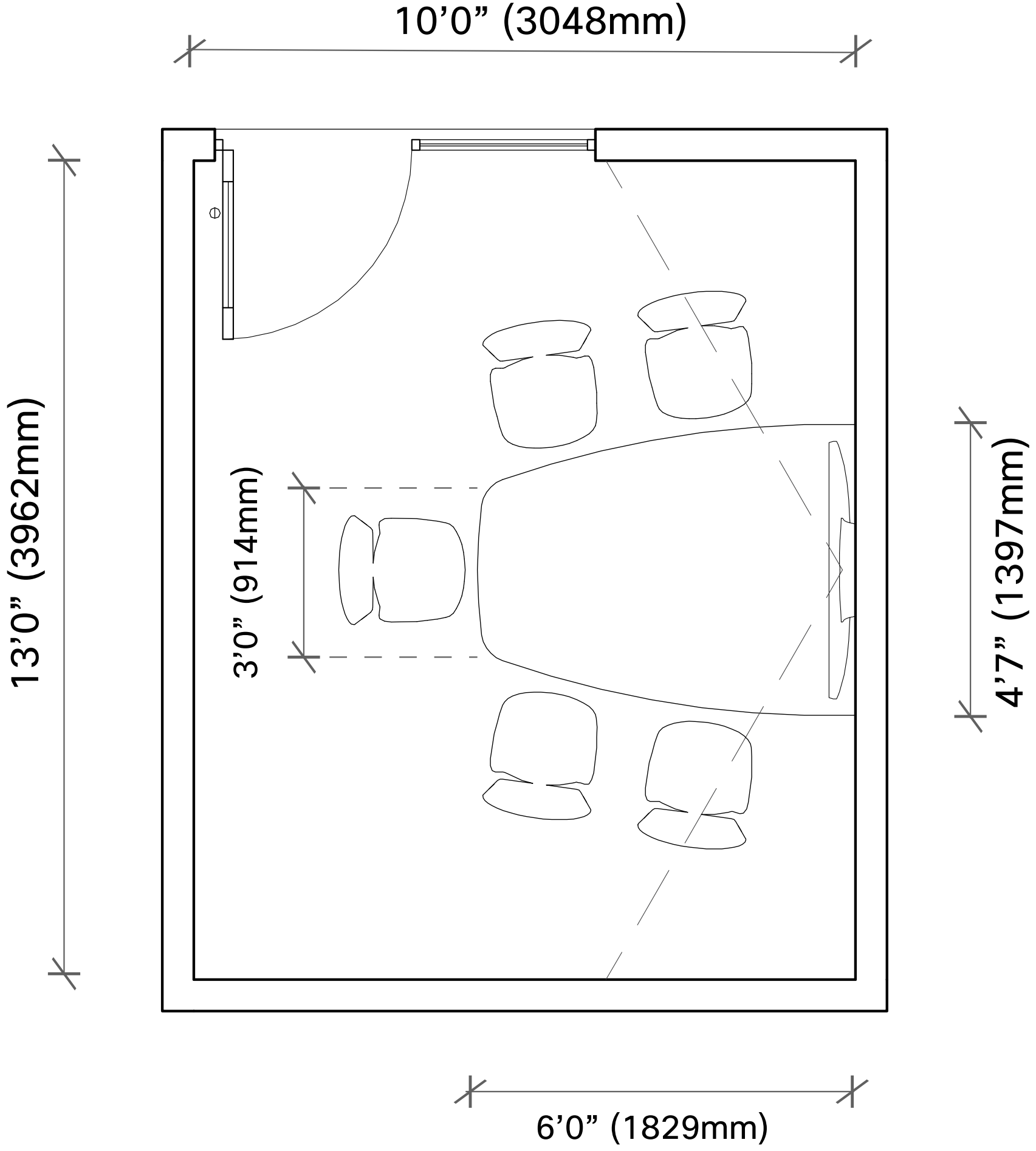
Power Forum finish
Black



nienkämper

Small Collaboration Room

Room Layout



Note: Floor plan depicts suggested nominal size.

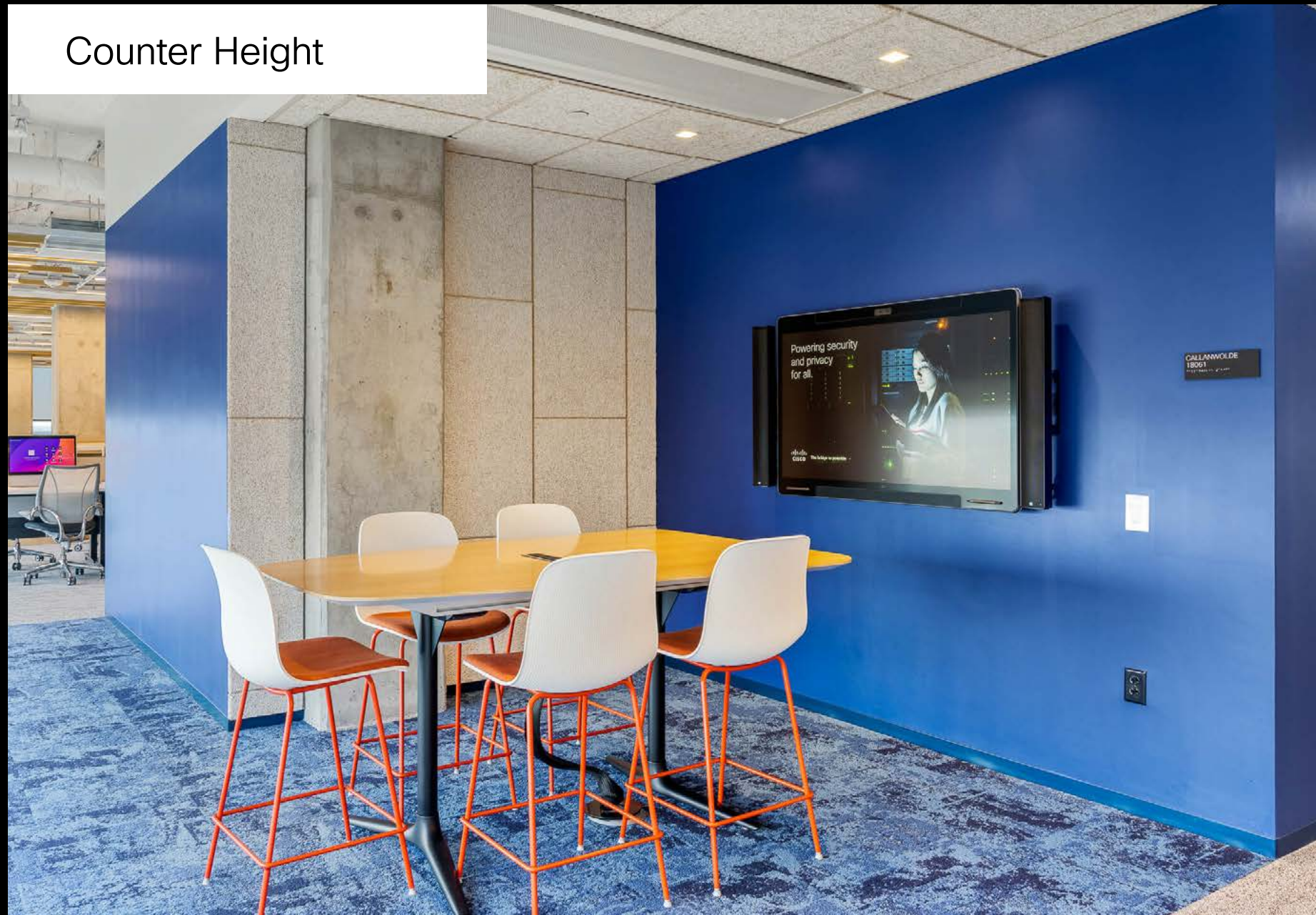
Small Brainstorming – Open Plan

Overview



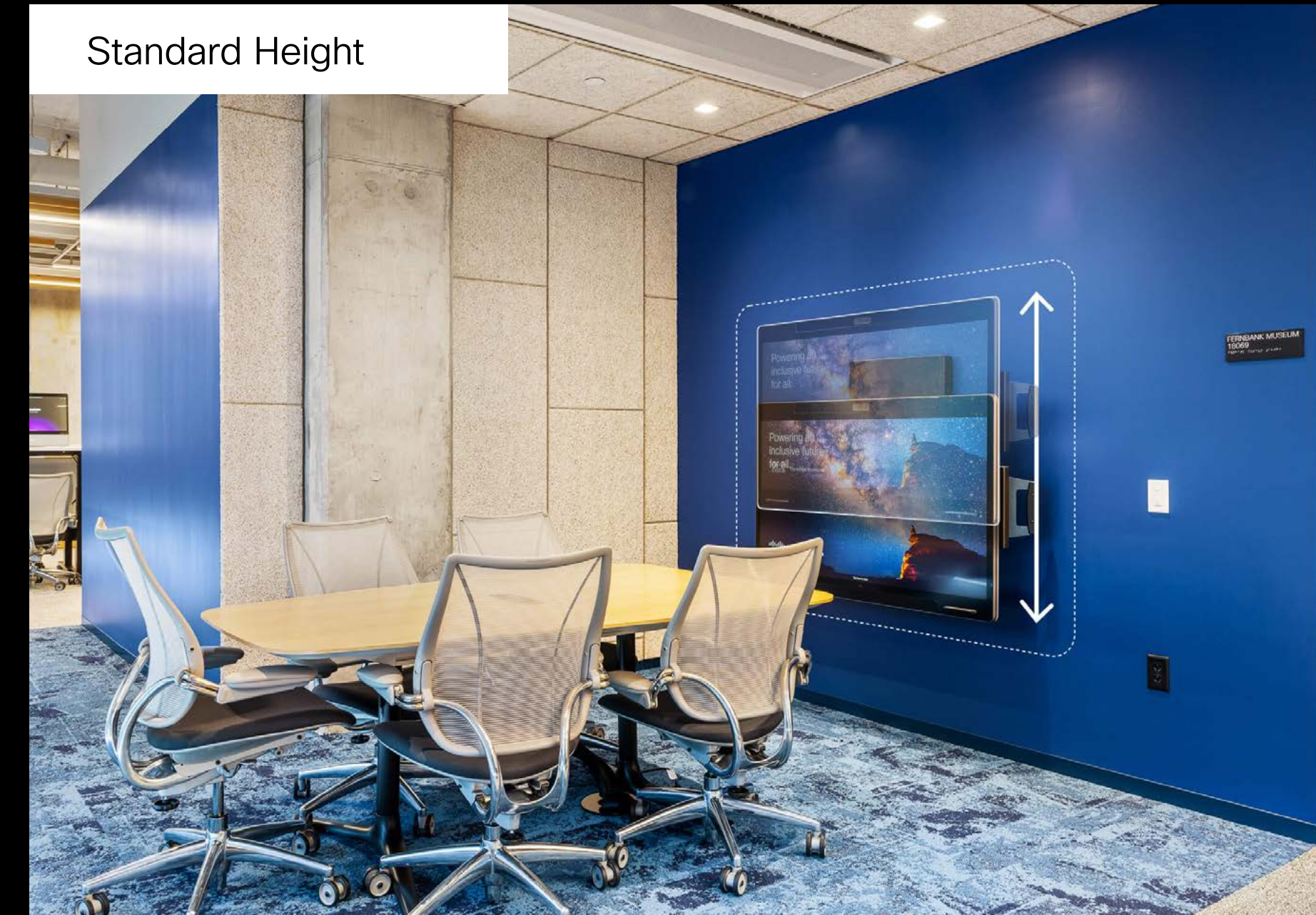
In the hybrid workplace, collaboration needs to be omnipresent, and with that, there needs to be a focus on creating “spaces” (wall rooms) as well as “places” (open areas) for people to work together. In ATL Tech Square, over 20% of the video-enabled collaboration areas can be found in the open plan. Not all collaboration is scheduled – creating opportunities for serendipitous connections is a critical part of Cisco’s strategy to enable hybrid work.

These small brainstorming spaces are enabled with Cisco Board Pro 55, supporting video calling, content sharing, and co-creation/whiteboarding. As with other Cisco Board Pro-enabled rooms, adjustable mounts can be used to allow for the height of the device to be changed when needed. Directional speakers are also used in some cases when co-located in focused work areas to minimize noise leakage.



Features

- Cisco Board Pro 55 mounted using a Cisco Wall mounting kit
- Renkus-Heinz Directivity Control Series speakers (optional)



Features

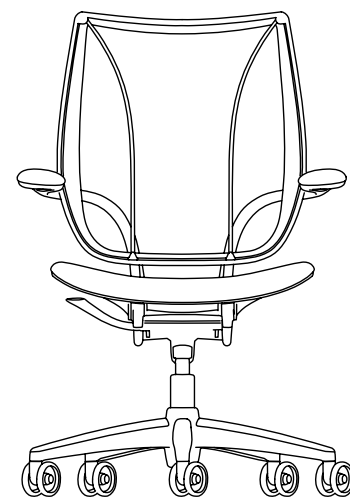
- Cisco Board Pro 55 mounted using a Salamander EZ Lift

Small Brainstorming - Open Plan

Components - Standard Height



Humanscale Liberty
Task Chair



Armrest/Armpad
Fixed Duron Arms

Frame Color
Silver with Silver Trim

Back Mesh
Pinstripe (Color: White)

Seat Textile
Fourtis (Color: Granite Box Stitching)

Humanscale

Nienkamper Gateway TB-09



Table with Trapezoid Top, (1) simple forum with wood trough-6 ports

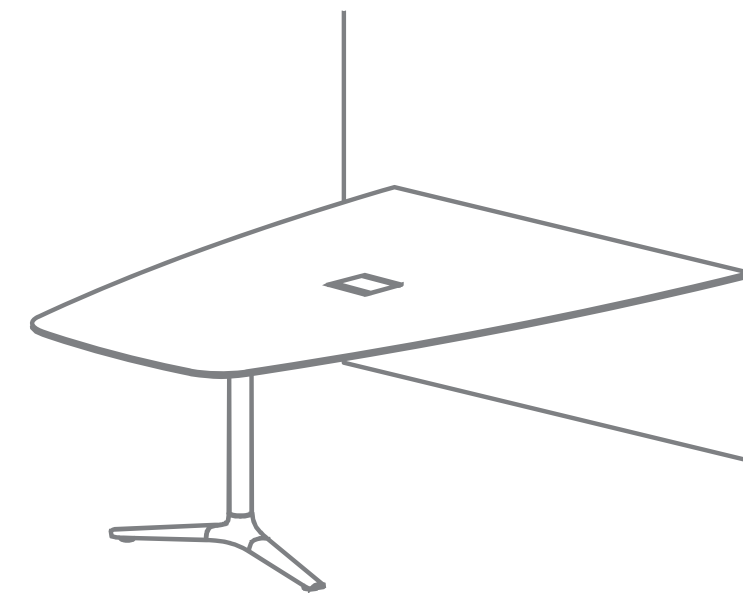
Wood finish top
#F18 Natural White Oak

Leg finish
Black

72" W x 28-1/2" H x 32"/55" D
(1829mm W x 724mm H x 813mm/1397mm D)



Power Forum finish
Black



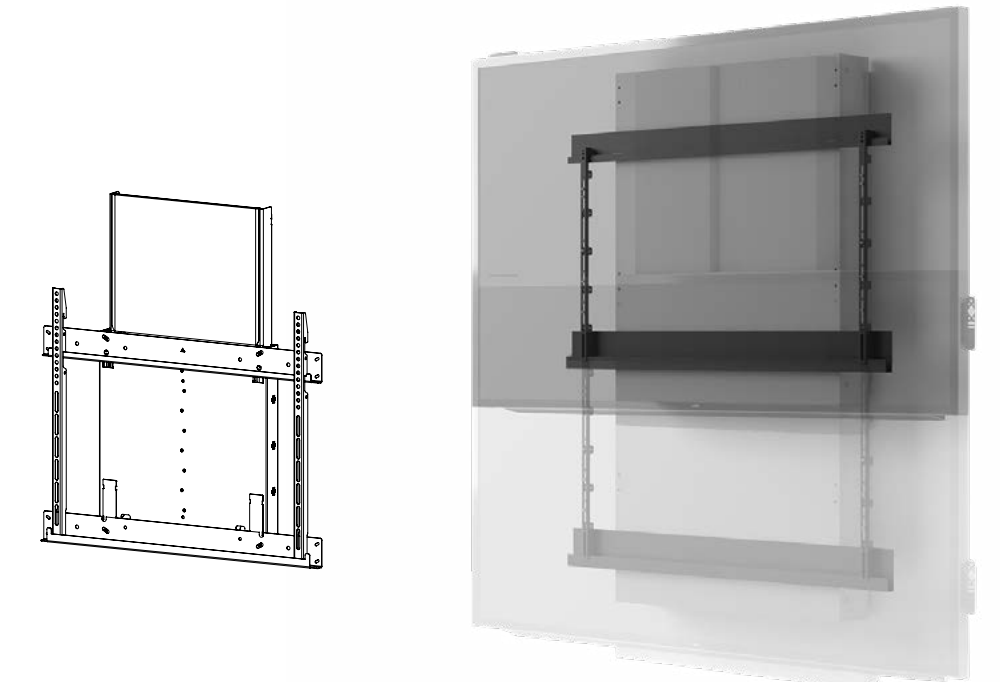
nienkämper

Cisco
Board
Pro 55



CISCO

Salamander
EZTouch Mount



SALAMANDER
DESIGNS

Small Brainstorming - Open Plan

Components - Counter Height



Stylex Verve Counter Stool



Counter height stool, plastic shell and upholstered seat pad, 4-leg metal frame

Fabric: Camira Main Line Flax Victoria

Legs: Navy

Plastic Shell: Milk

19" W x 41" H x 19" D x 26" seat height
(483mm W x 1041mm H x 483mm D x 660mm seat height)



Nienkamper Gateway TB-09



Table with Trapezoid Top, (1) simple forum with wood trough-6 ports

Wood finish top
#F18 Natural White Oak

Leg finish
Black

72" W x 36" H x 32"/55" D
(1829mm W x 914mm H x 813mm/1397mm D)



Power Forum
finish Black

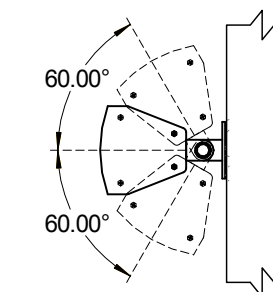


Cisco Board Pro 55

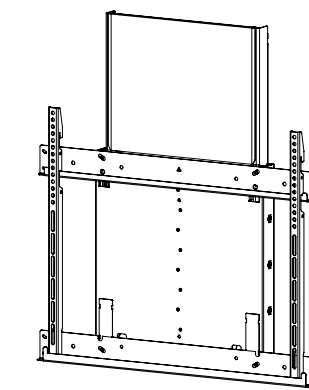


Renkus-Heinz
Controlled Directivity
Loudspeaker

Model: DC12/2-BK

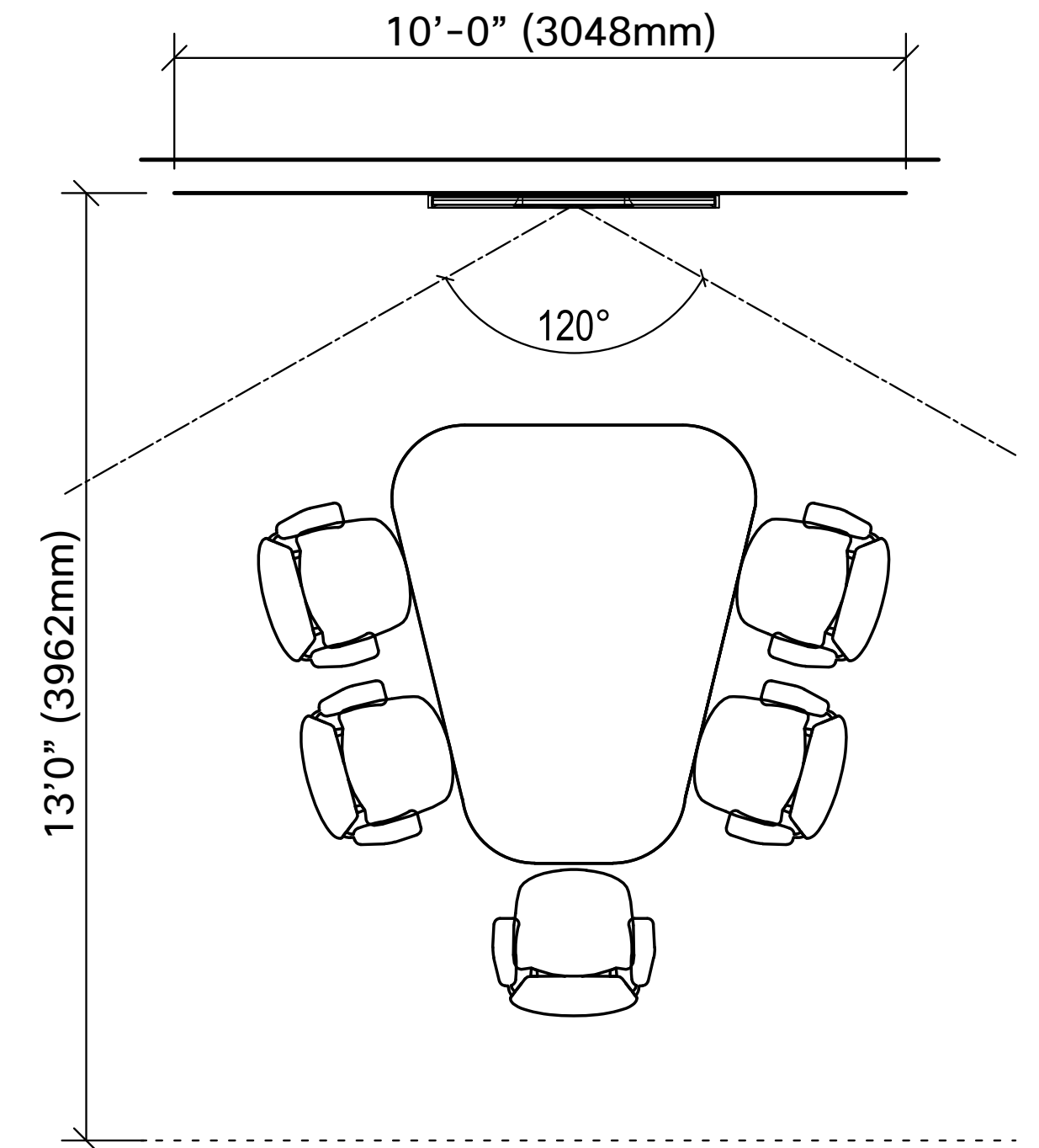
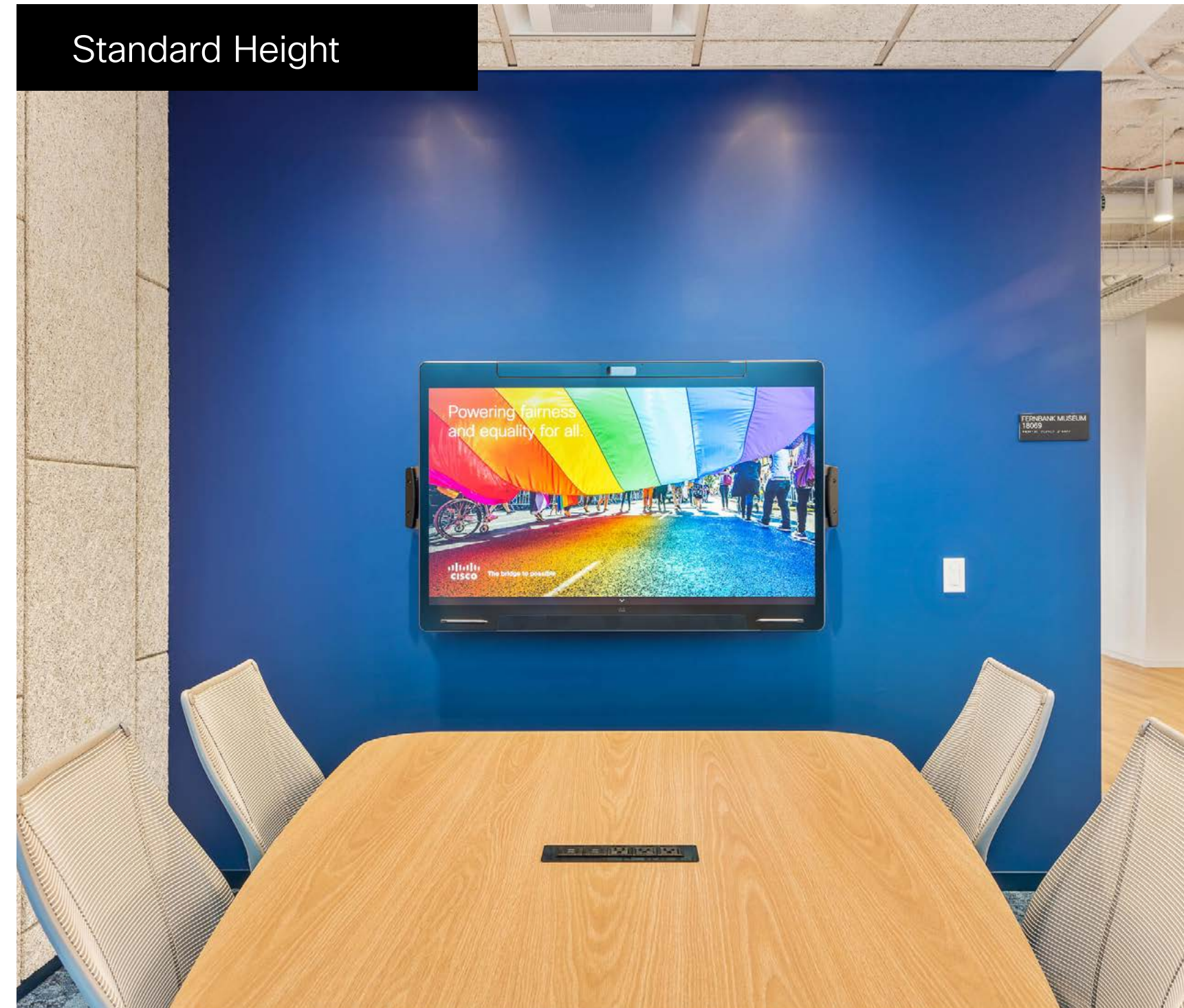
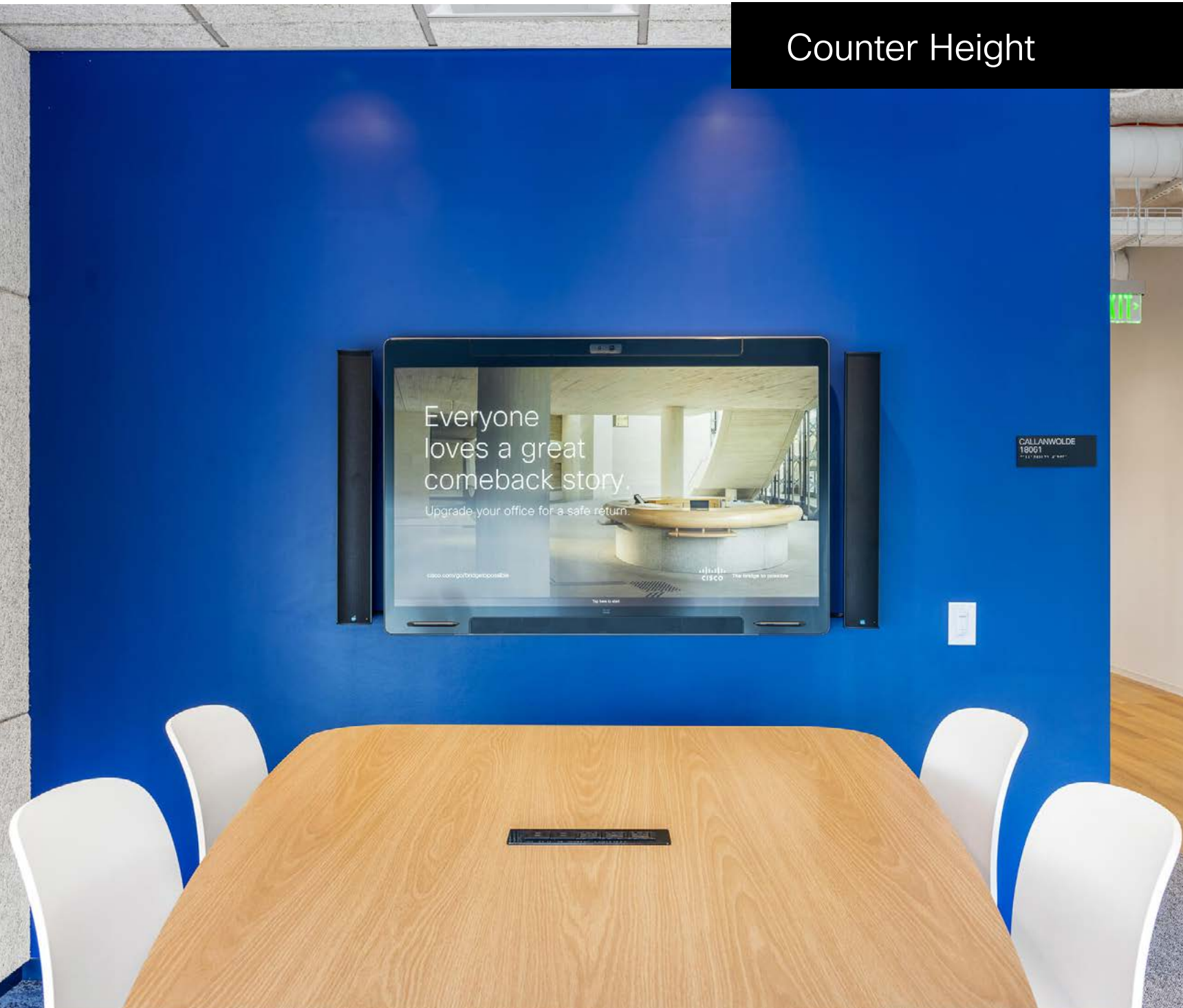


Salamander
EZTouch Mount



Small Brainstorming - Open Plan

Room Layout



Note: Floor plan depicts suggested nominal size.

Medium Collaboration Room - Dual Display

Overview



The perfect space to bring people together for knowledge sharing or decision making, dual 55" displays allow you to see content and remote participants simultaneously. Trapezoid shaped table ensures everyone can be seen.

Features

- Cisco Room Kit EQ with dual 55" displays mounted on a Salamander Credenza
- Nienkamper Vox table
- Humanscale Liberty Task chairs



Medium Collaboration Room - Dual Display

Components



Cisco Room Kit EQ



CISCO

Nienkamper Vox Table TB-15

Table with Trough: Rectangle Shape and Laminate Top
 Accessible Duo bases to conceal stub-up
 Laminate top
 Wilsonart Natural Rift 7954-38, Fine Velvet Finish
 Base
 Black
 120" W x 28-1/2" H x 48" D
 (3048mm W x 724mm H x 1219mm D)



nienkamper

Dual 55" Displays

(LG, Panasonic, Samsung, or Sony)



LG Panasonic SAMSUNG SONY

Humanscale Liberty Task Chair



Armrest/Armpad
 Fixed Duron Arms
 Frame Color
 Silver with Silver Trim
 Back Mesh
 Pinstripe (Color: White)
 Seat Textile
 Fourtis (Color: Granite Box Stitching)

Humanscale

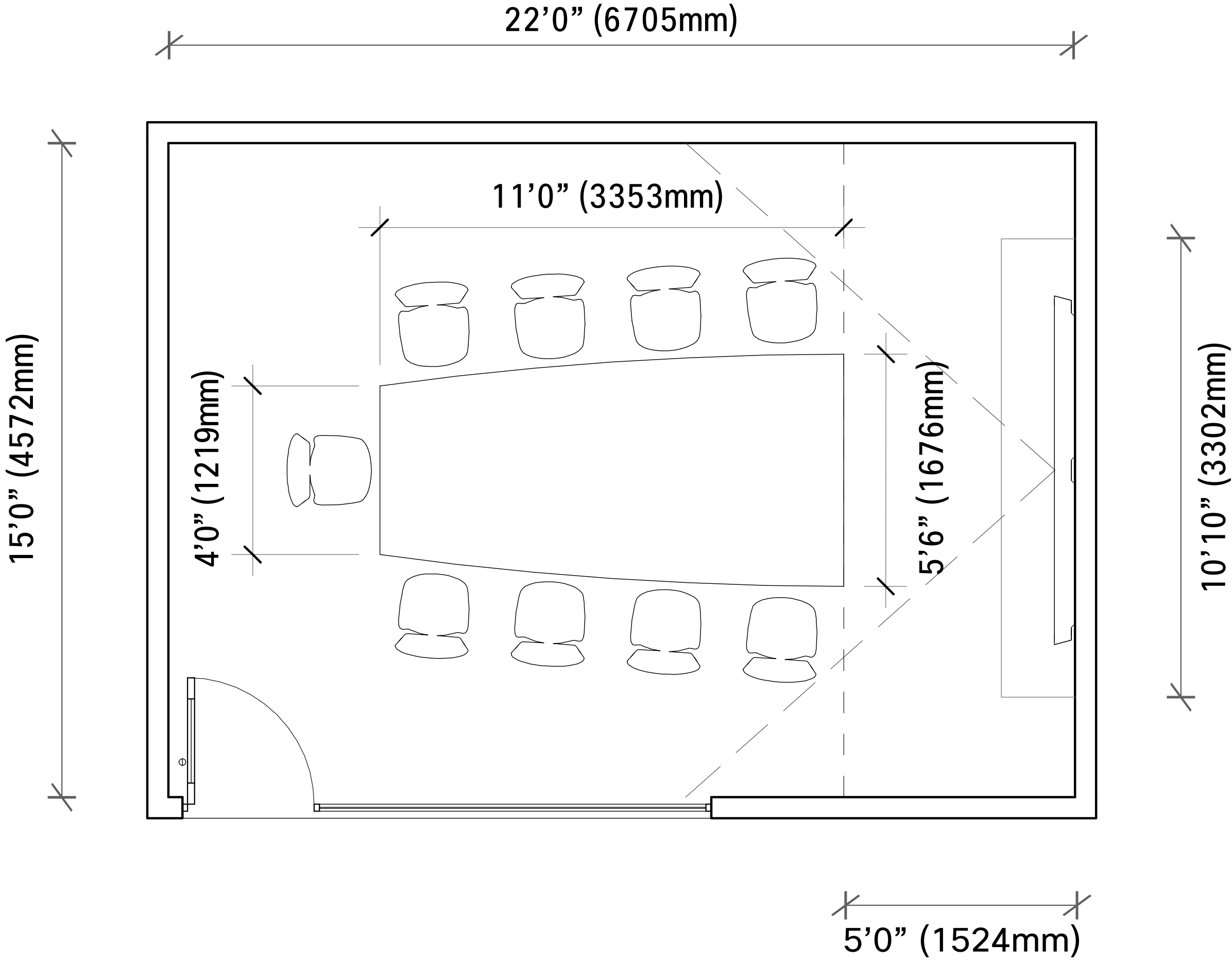
Salamander Credenza



SALAMANDER
DESIGNS

Medium Collaboration Room - Dual Display

Room Layout



Note: Floor plan depicts suggested nominal size.

Medium Collaboration Room – Video Centric Overview



The video-centric collaboration room is ideal for decision-making meetings. The horizontal table creates the effect of everyone sitting around a table. Dual 55" displays ensure that remote participants, as well as content, can be seen by all.

Features

- Cisco Room Kit EQ and dual 55" displays mounted on a Salamander Designs Credenza
- Nienkamper Vox table
- Humanscale Freedom Task chairs



Medium Collaboration Room – Video Centric

Components



Cisco Room Kit EQ



CISCO

Nienkamper Vox Table TB-20B

Table with Standing Height & Trough
Trapezoid Shape
Laminate top
Wilsonart-Natural Rift 7954-38, fine velvet finish
Base and ends
Black
108" W x 38" H x 108/96" D
(2743mm W x 965mm H x 2743/2438mm D)



nienkamper

Dual 55" Displays

(LG, Panasonic, Samsung, or Sony)



LG Panasonic SAMSUNG SONY

Humanscale Liberty Task Chair



Armrest/Armpad
Fixed Duron Arms
Frame Color
Silver with Silver Trim
Back Mesh
Pinstripe (Color: White)
Seat Textile
Fourtis (Color: Granite Box Stitching)

Humanscale

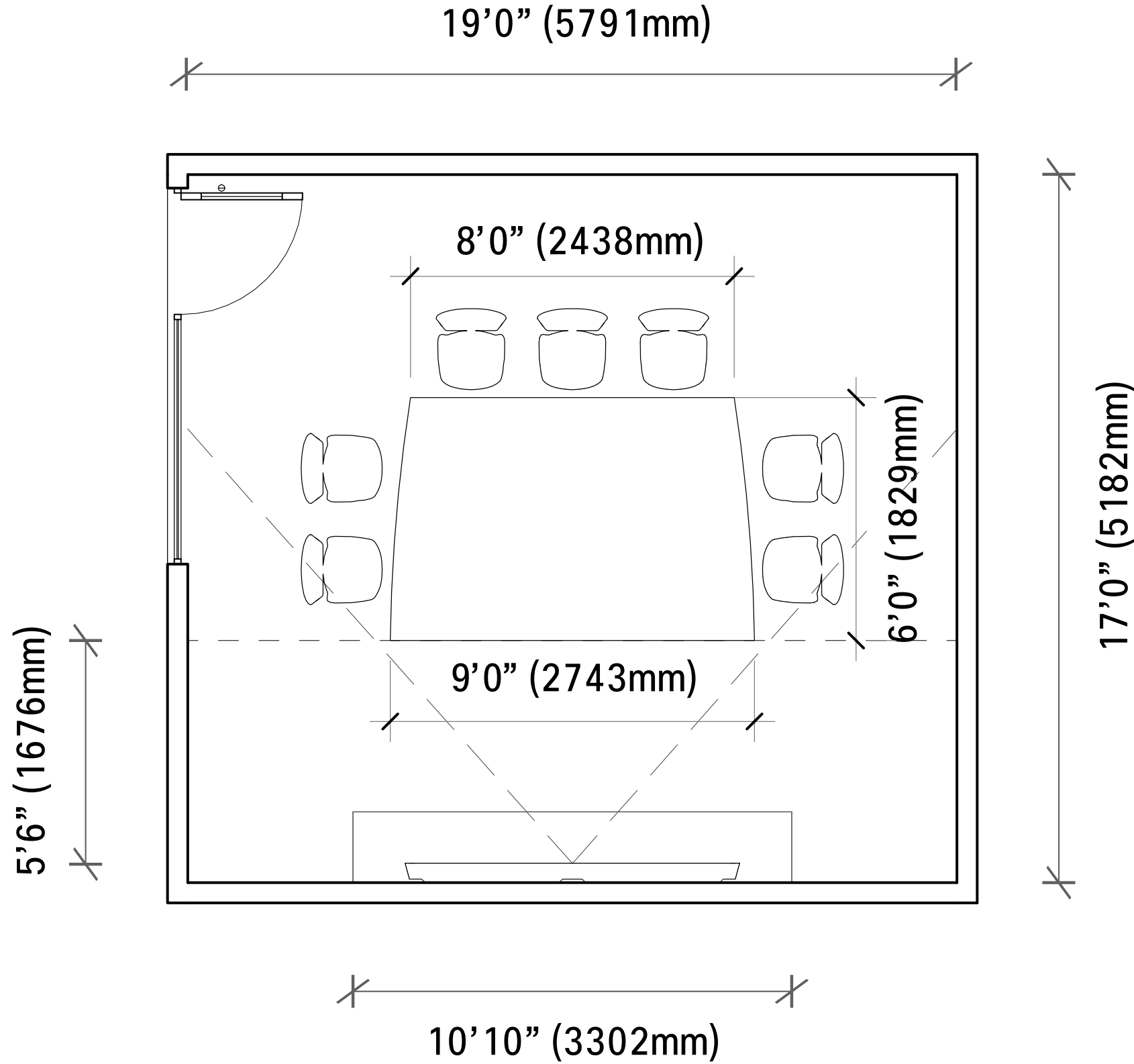
Salamander Credenza



SALAMANDER
DESIGNS

Medium Collaboration Room – Video Centric

Room Layout



Note: Floor plan depicts suggested nominal size.

Medium Brainstorming Space

Overview



This brainstorming space is built for when larger groups need to ideate. The table orientation and shape ensure everyone can be seen and heard, and the density of the space is gracious, allowing ample space to move within the room. The Cisco Board is multi-functional, enabling video calls, content sharing, and whiteboarding.

Features

- Cisco Board Pro 75 wall mounted
- Teknion Interpret table
- Boss Ola Chair
- Renkus-Heinz Directivity Control Series speakers (optional)

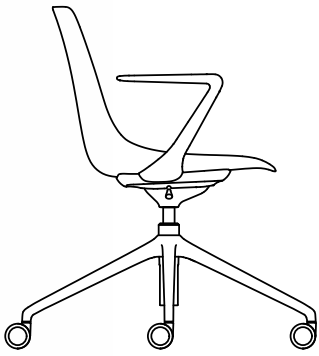


Medium Brainstorming Space

Components



Boss Ola Chair

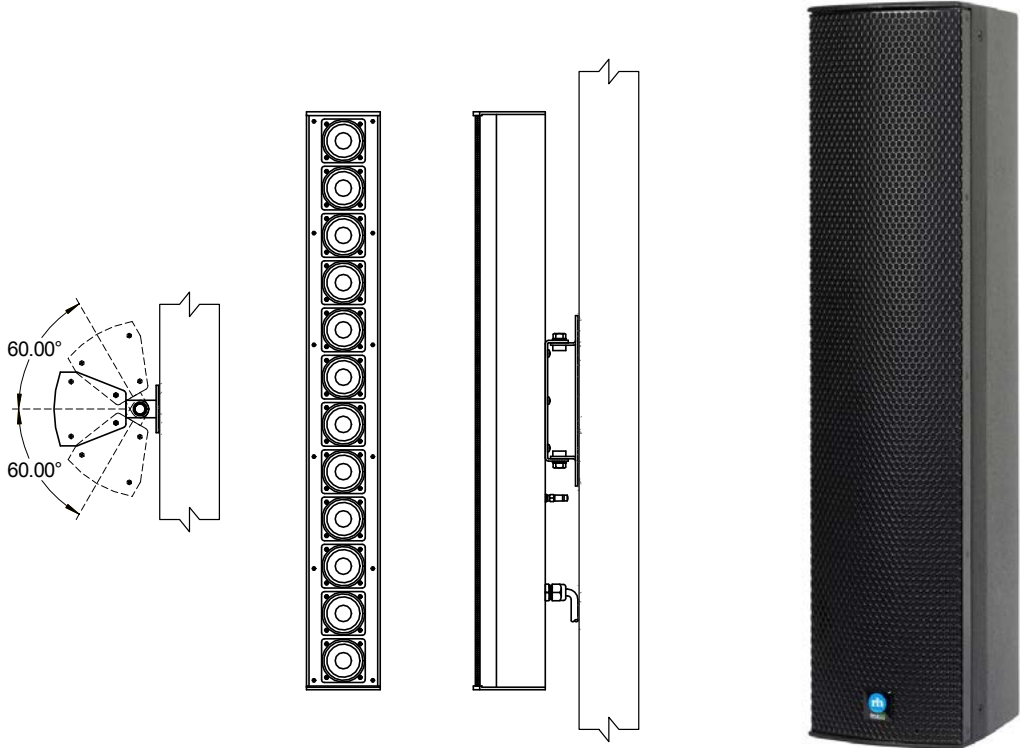


Seat Upholstery
Camira Main Line Flax
Base
Black



**Renkus-Heinz
Controlled Directivity Loudspeaker**

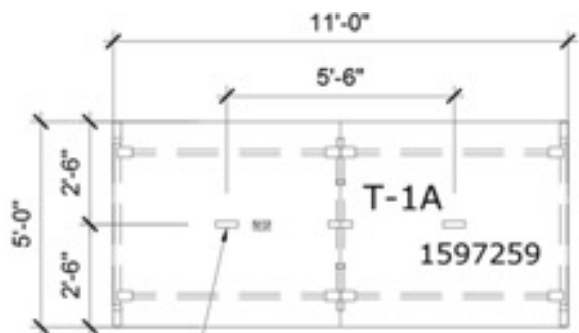
Model: DC12/2-BK



Cisco Board Pro 75



Teknion Interpret Table



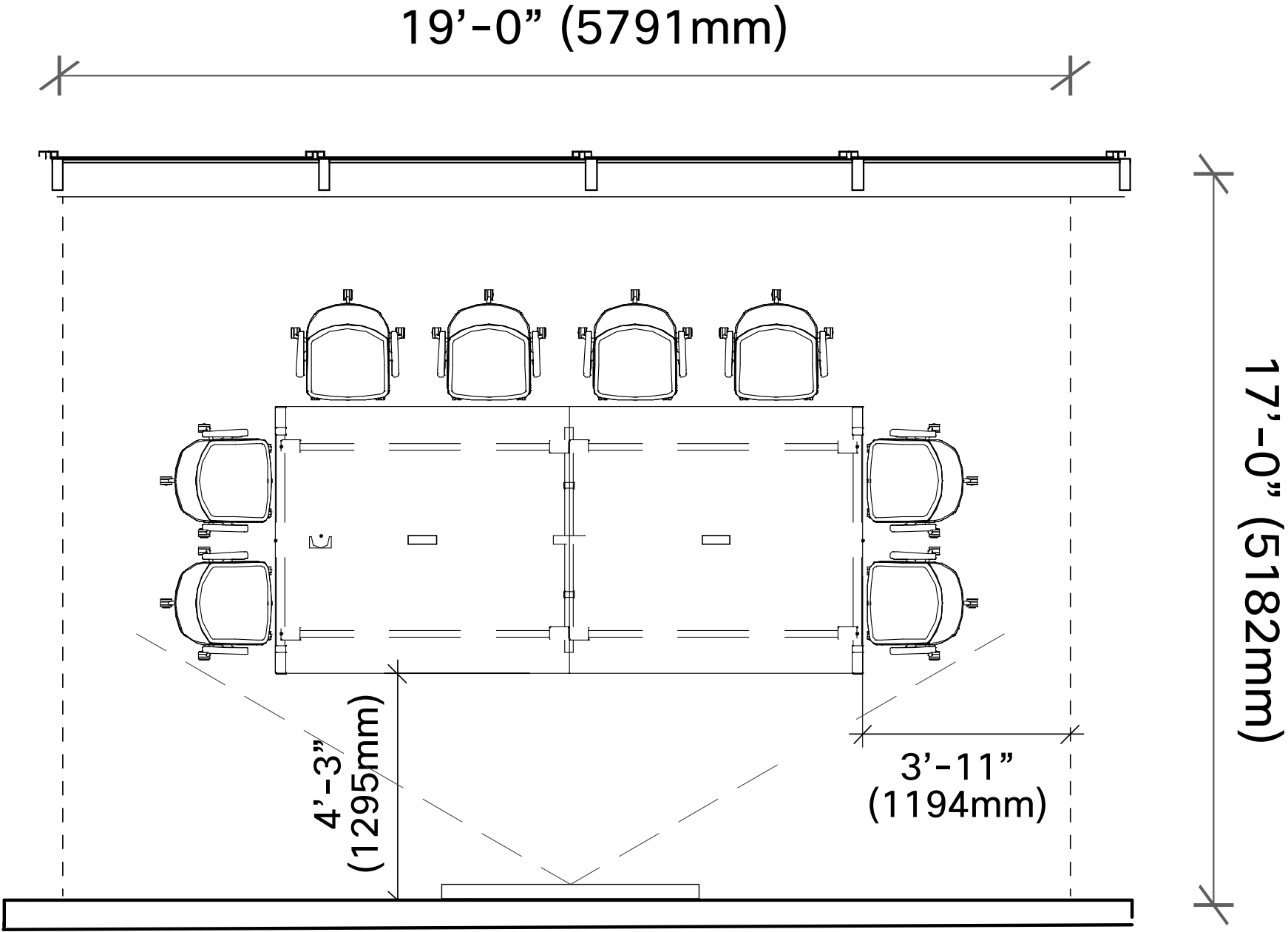
Byrne Dean x 2
3 Windows
2 POWER/Dual USB-C

Laminate top, metal frame and angled legs,
(2) Byrne Dean power modules
Laminate: Campus Oak
Metal Frame/Legs: Black
132" W x 29" H x 60" D
(3353mm W x 737mm H x 1524 D)



Medium Brainstorming Space

Room Layout



Note: Floor plan depicts suggested nominal size.

Innovation Suite Overview



Innovation Suites are the quintessential space for a team meeting or when colleagues want to get together to share ideas. They can be deployed in an enclosed space or an open plan and come in various sizes and orientations. Regardless of the setting, the mixed seating types and varying postures provide choice.

Features

- Cisco Board Pro 75
- Kimball Strassa Table
- Stylex Share Sofa
- Stylex Verve Counter Stool
- Hightower Kona Laptop Table
- Renkus-Heinz Directivity Control Series speakers (optional)



Innovation Suite

Components



Kimball Strassa Table

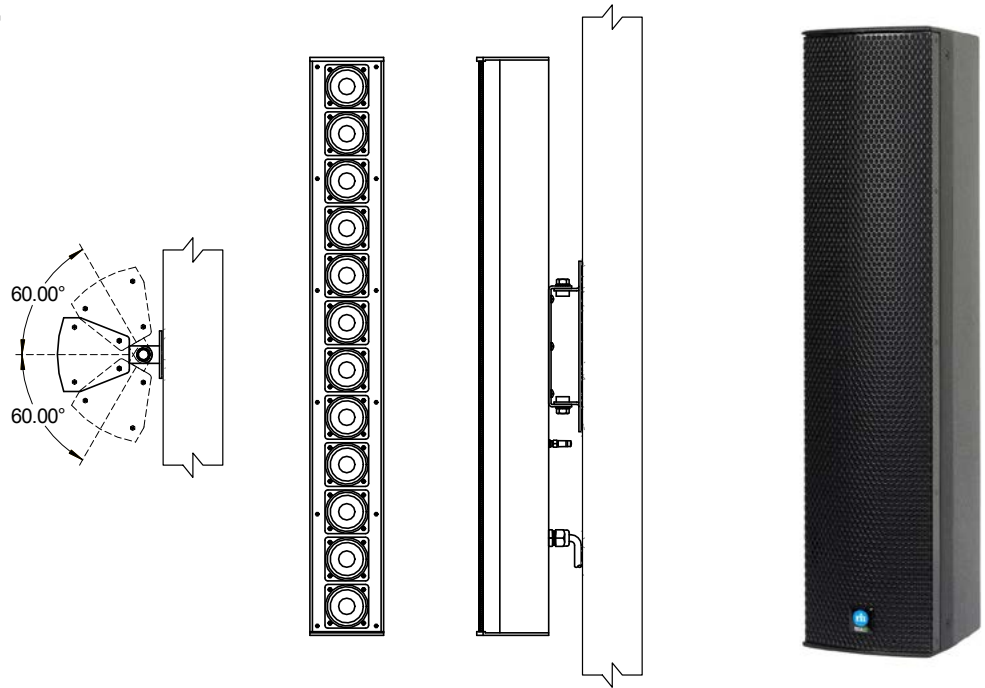


Dimensions:
84" W x 41" H x 24" D
(2134mm W x 1041mm H
x 610mm D)



Renkus-Heinz
Controlled Directivity
Loudspeaker

Model: DC12/2-BK



Cisco Board Pro 75



Stylex Share Sofa
Fully Upholstered 3-seater



Integrated Power Ports
Fabric: Seat/Back - Maharam Beck Interlude, Arms/Accent Band - Maharam Beck Inkpad
Legs: White Oak

Stylex Verve Counter Stool



Counter height stool, plastic shell and upholstered seat pad, 4-leg metal frame

Fabric: Camira Main Line Finsburg
Legs: Forest Green
Plastic Shell: Milk
19" W x 41" H x 19" D x 26" seat height
(483mm W x 1041mm H x 483mm D x 660mm seat height)



Hightower Kona
Laptop Table
with Tablet Holder

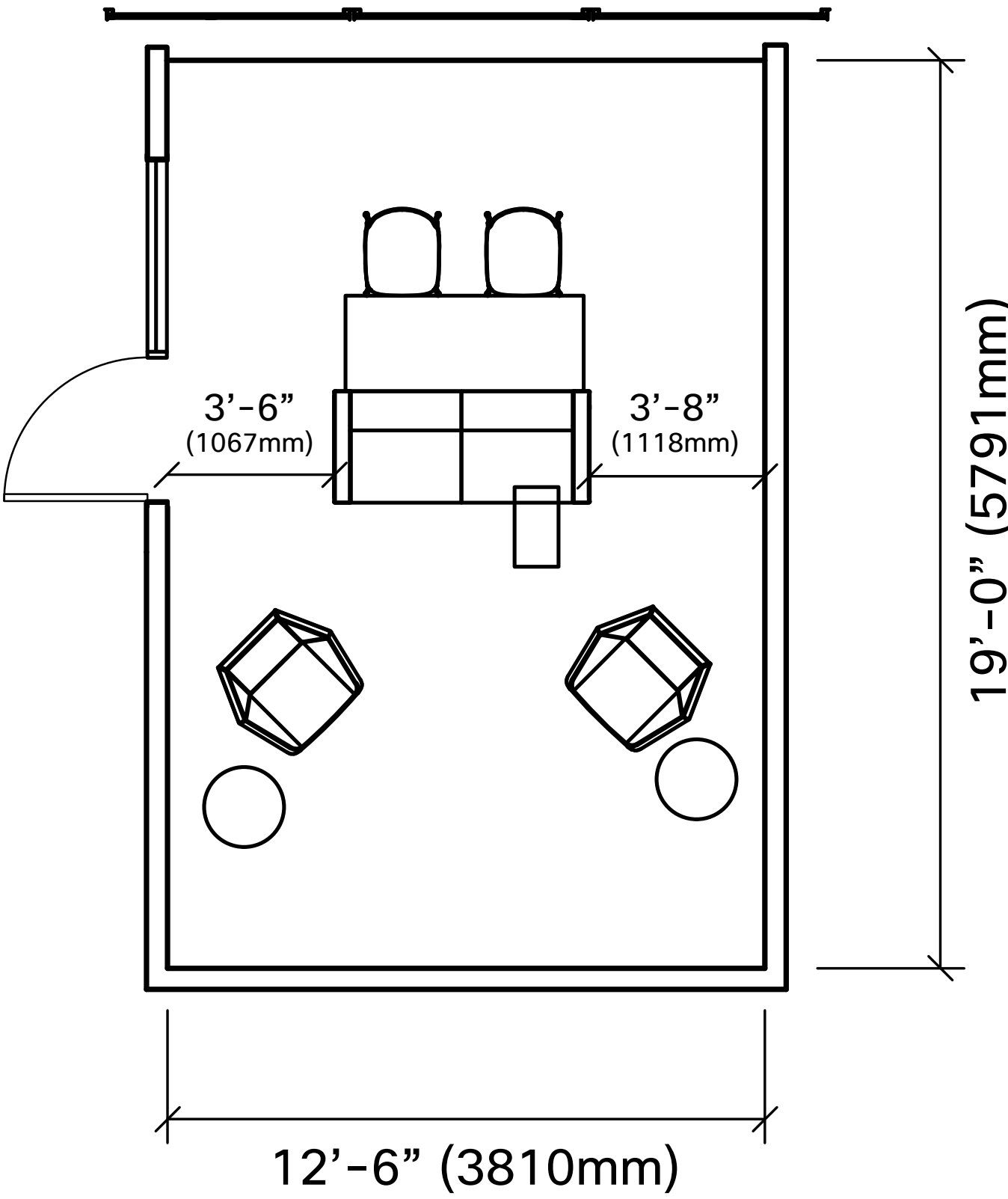
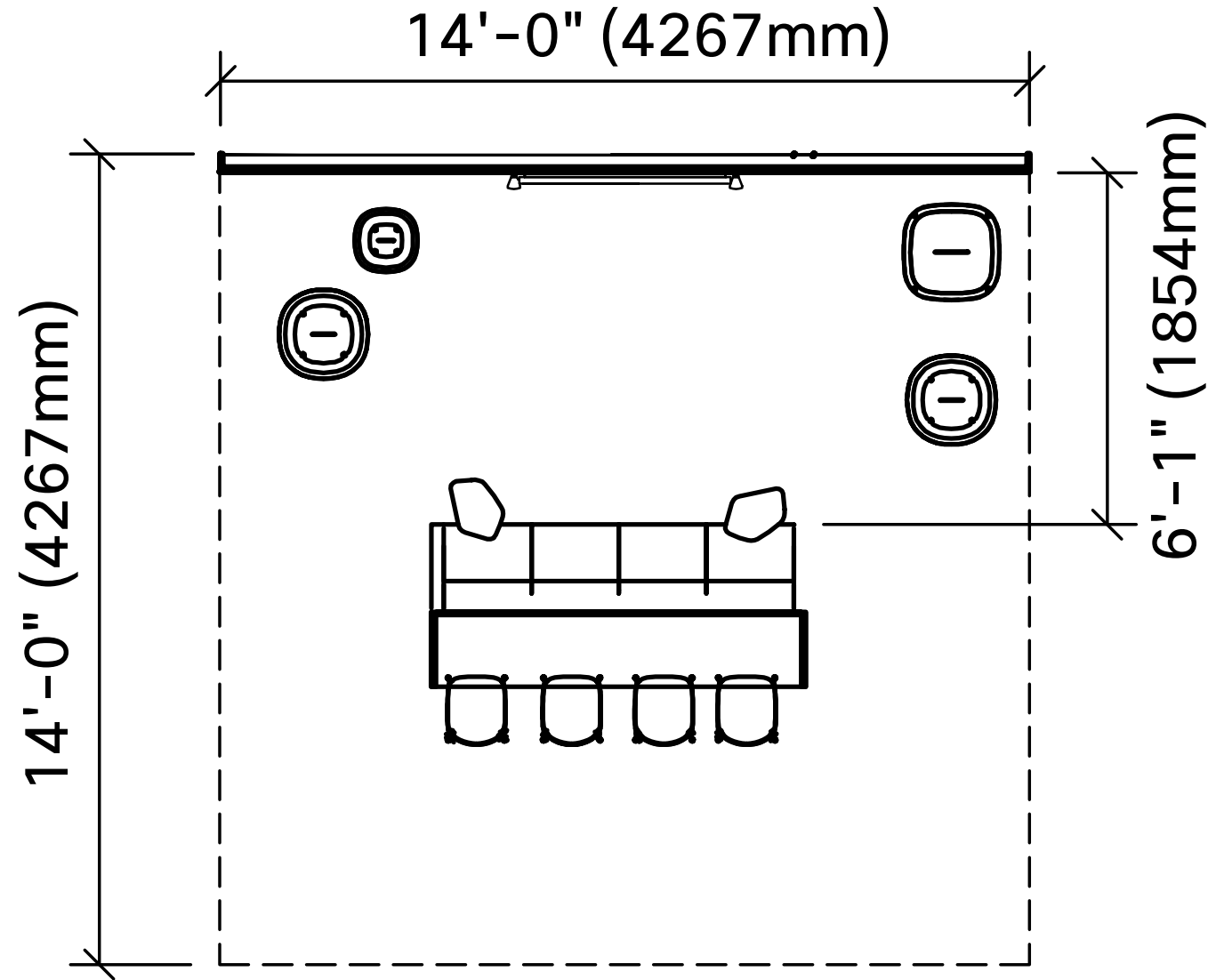


Top: Ash Veneer
Base: Gray
21" W x 26" H x 14" D
(533mm W x 660mm H x 356mm D)



Innovation Suite

Room Layout



Note: Floor plan depicts suggested nominal size.

Large Collaboration Room

Overview



A collaboration space specifically designed for large groups, dual screens allow in-person attendees to see both remote participants and content, and the tapered table shape ensure remote participants can see everyone in the room. The rear-mounted Cisco TelePresence Precision 60 Camera automatically captures presenters as they move in the front of the room. The optional Cisco Board Pro, operating in companion mode, allows co-creation capabilities to be brought into a video meeting.

Features

- Cisco Room Kit Pro with dual 75" displays (LG, Panasonic, Samsung, or Sony)
- Cisco Ceiling Microphones or Cisco Table Microphone Pro
- Rear-mounted Cisco PTZ 4K Camera
- Third-party 6.5" overhead speakers & amplifier
- Wall Mounted Cisco Board Pro 75
- Nienkamper Vox Conference Table
- Humanscale Freedom Task Chairs with headrests



Large Collaboration Room Components



Cisco Room Kit Pro



Cisco Board Pro 75



Cisco Ceiling Microphones



Cisco Table Microphone Pro



Cisco PTZ 4K Camera



CISCO

Dual 75" Displays

(LG, Panasonic, Samsung, or Sony)



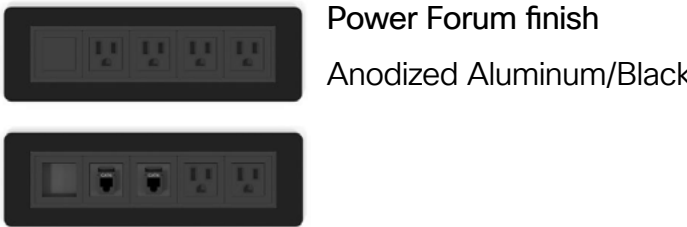
Humanscale Freedom Task Chair with Headrest

- Armrest/Armpad
Advanced Duron Arms with Textile
- Frame Color
Graphite
- Seat Textile
Ticino Charcoal with light Grey Stitch

Nienkamper Vox Conference Table



Vox Conference Table with Trough Vista (Closed) Shape
Wood finish top: #F18 Natural White Oak
Base and Ends: Black
120" W x 28-1/2" H x 66/48" D (3048mm W x 724mm H x 1676/1219mm D)



Power Forum finish
Anodized Aluminum/Black

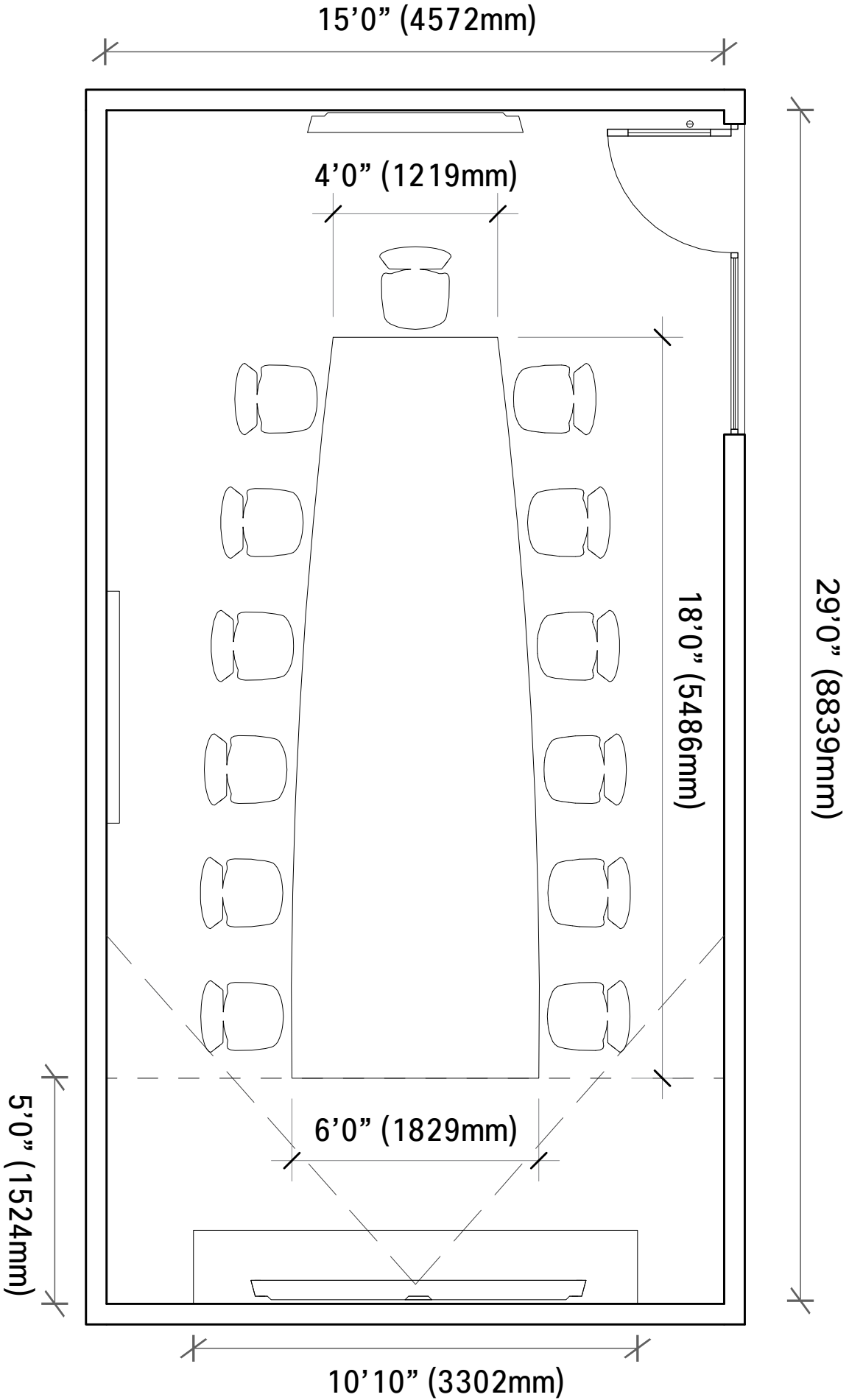
LG Panasonic SAMSUNG SONY

Humanscale

nienkamper

Large Collaboration Room

Room Layout



Note: Floor plan depicts suggested nominal size.

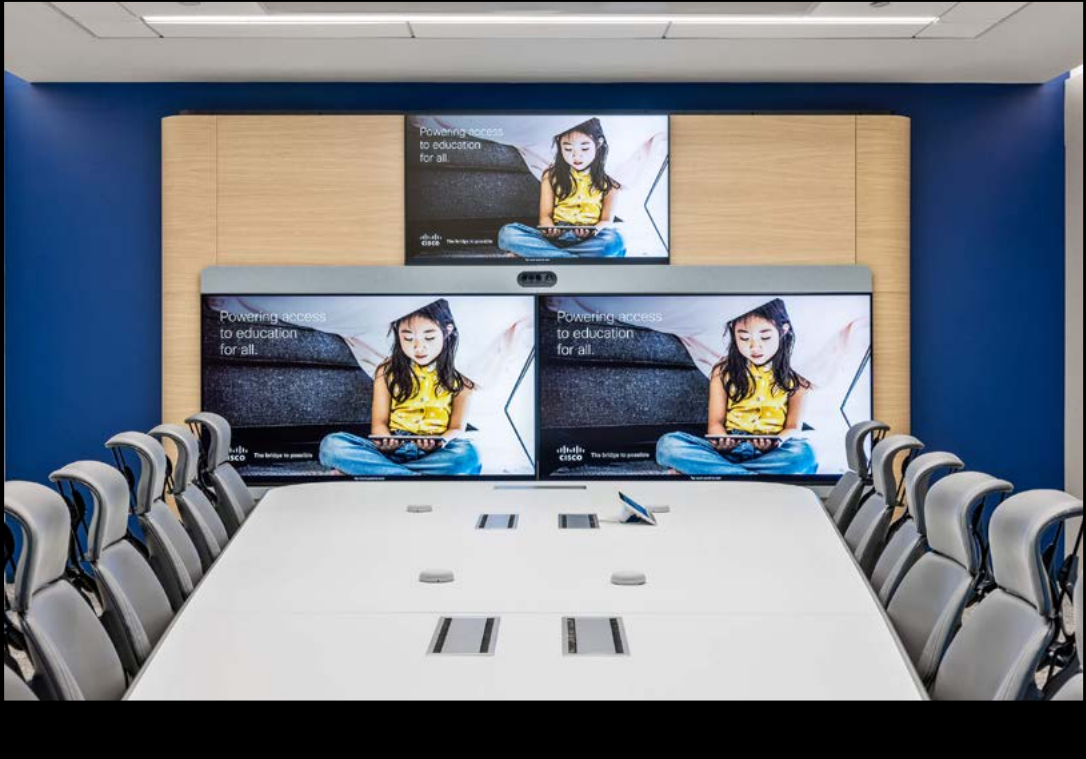
Board Room Overview



This board room, powered by Cisco Room Panorama, carefully balances space design, furnishings, and technology to create the ultimate experience, whether the meeting participants are across the table or across the globe.

Features

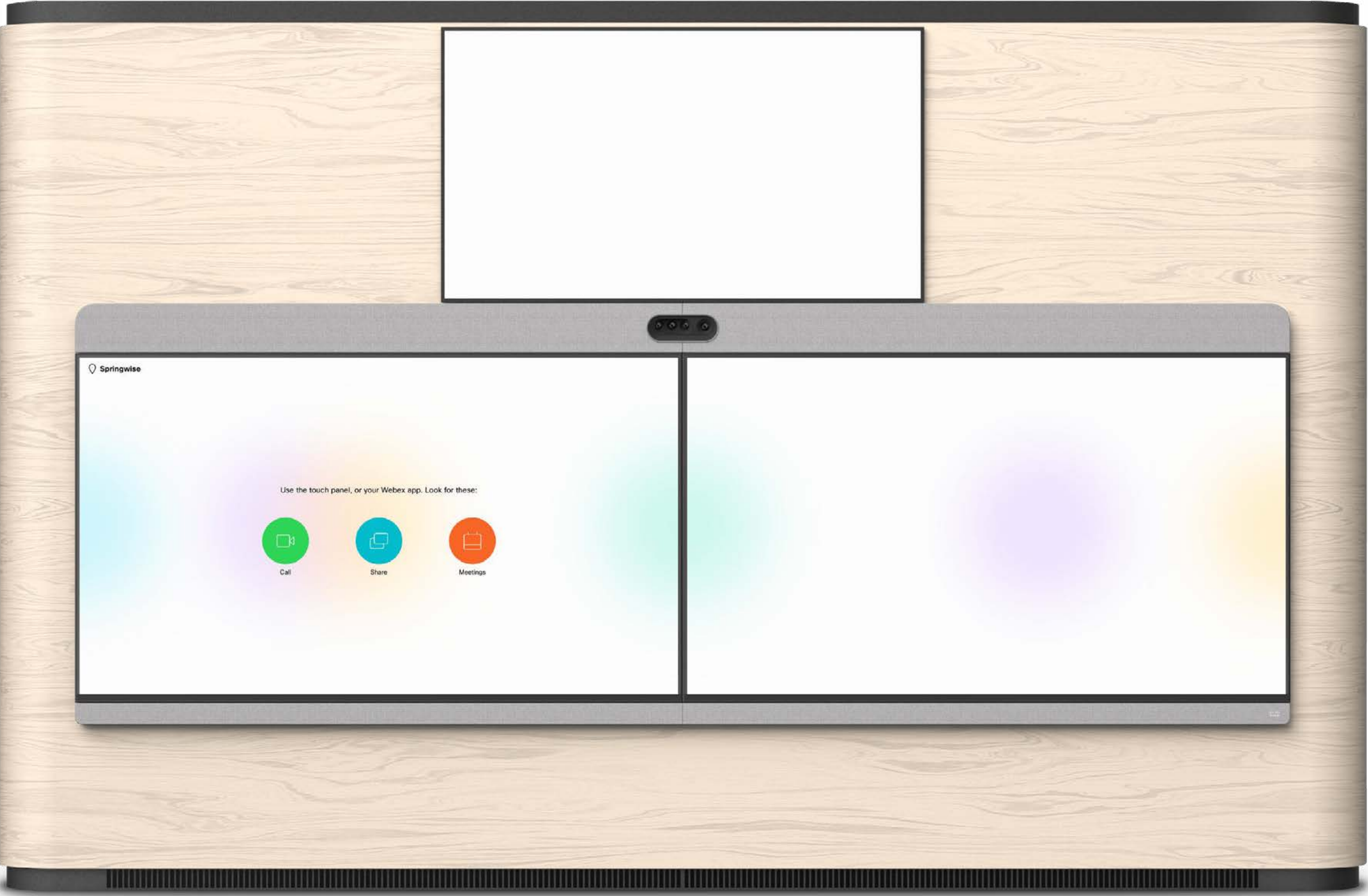
- Cisco Room Panorama
- Salamander Infiniti Table
- Humanscale Freedom Charis



Board Room Components



Cisco Room Panorama



Humanscale Freedom Task Chair with Headrest

- Armrest/Armpad
Advanced Duron Arms with Textile
- Frame Color
Graphite
- Seat Textile
Ticino Charcoal with light Grey Stitch

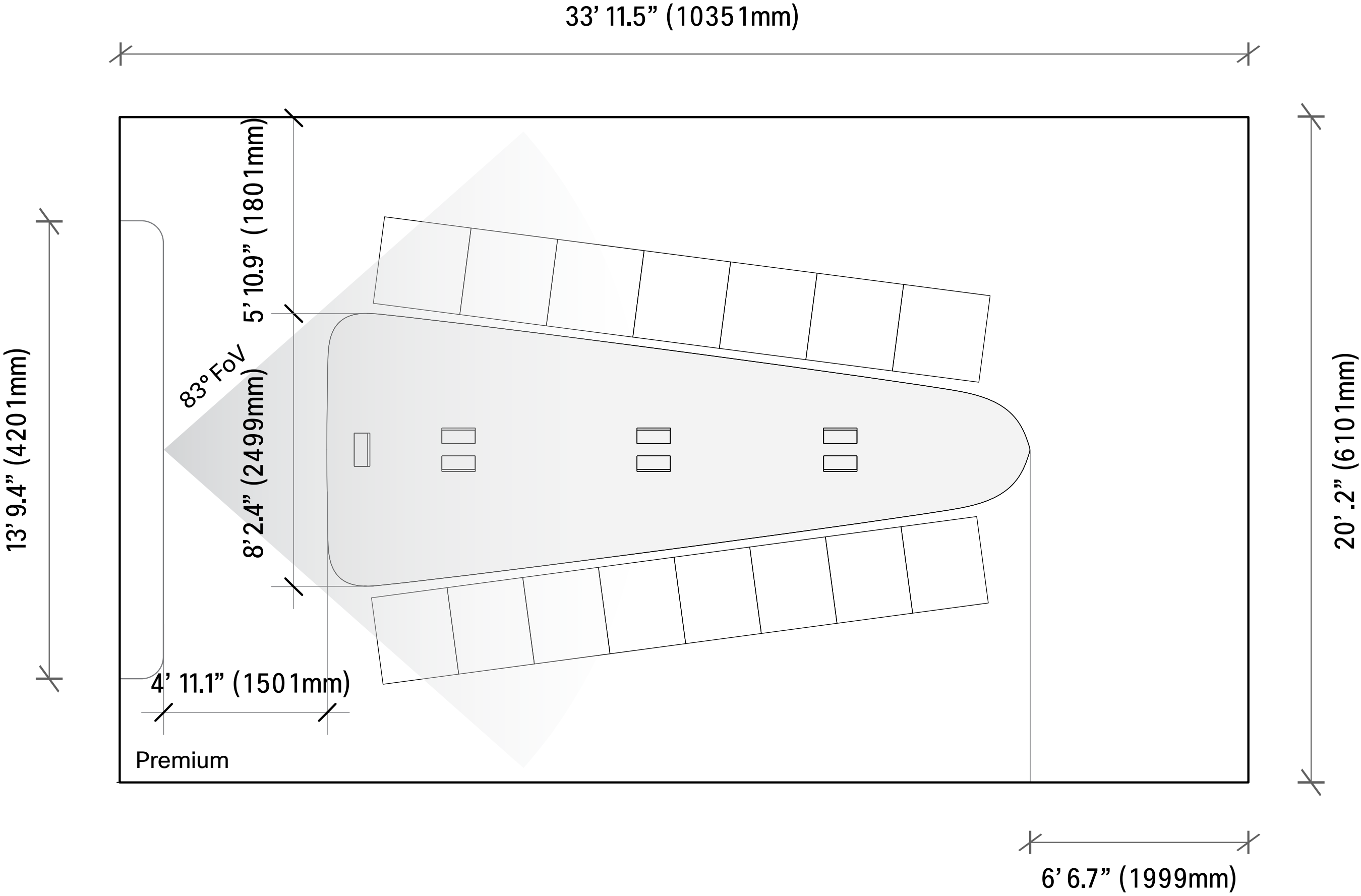
Humanscale

Salamander Infiniti Table



Board Room

Room Layout



Note: Floor plan depicts suggested nominal size.

Training Room

Overview



Designed for delivering true hybrid learning events, this training room leverages two large displays, multiple cameras, and a Cisco Device feature called “Classroom Mode” to provide an unparalleled experience to all participants.

The solution supports multiple learning scenarios, including local presenter, remote presenter, and discussion mode. In the meeting, whiteboarding and annotation are supported by the Cisco Board Pro operating in Companion Mode.

Features

- Cisco Room Kit Pro with Dual 98” Displays (LG, Panasonic, Samsung, or Sony)
- Cisco Ceiling Microphones
- Rear mounted Cisco PTZ 4K Camera
- Rear mounted 65” display
- Third-party 6.5” overhead speakers & amplifier
- Wall mounted Cisco Board Pro 75
- Teknion Expansion Training tables
- National Jiminy Flip Nesting chairs



Training Room Components



Kimball Jiminy Flip Nesting chair

Kimball International

Cisco Board Pro 75



Cisco Room Kit Codec Pro



Dual 98" Displays



(LG, Panasonic, Samsung, or Sony)

CISCO

LG Panasonic SAMSUNG SONY

Teknion Expansion Training table

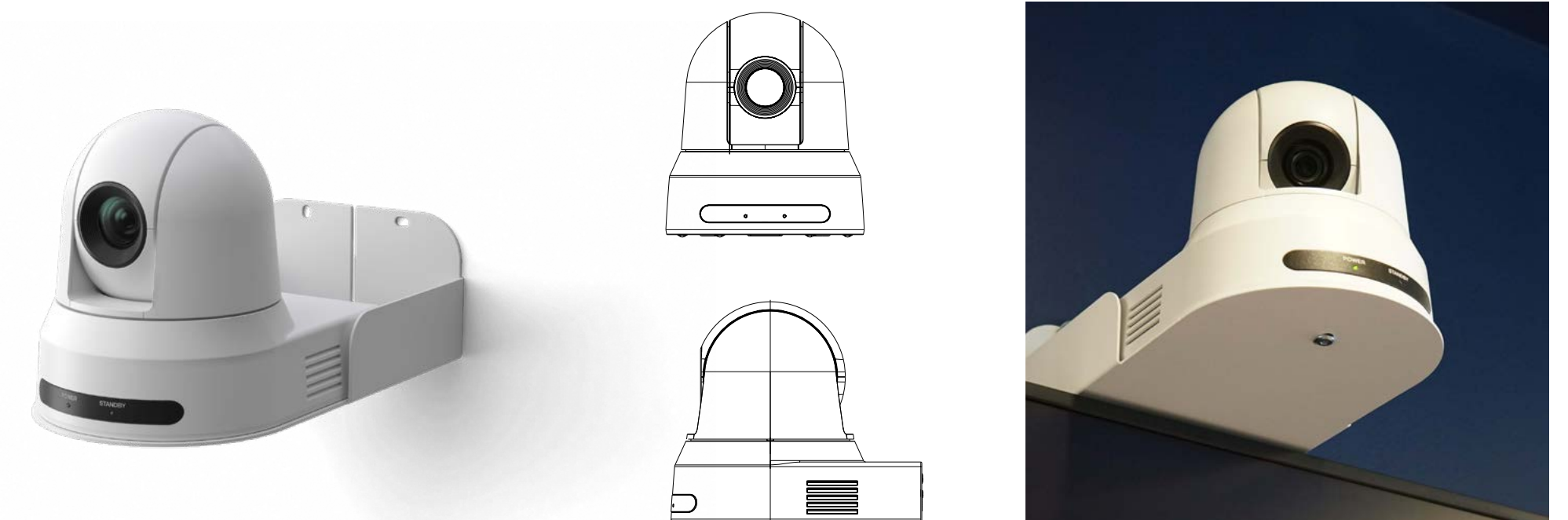


teknion

Cisco Ceiling Microphones



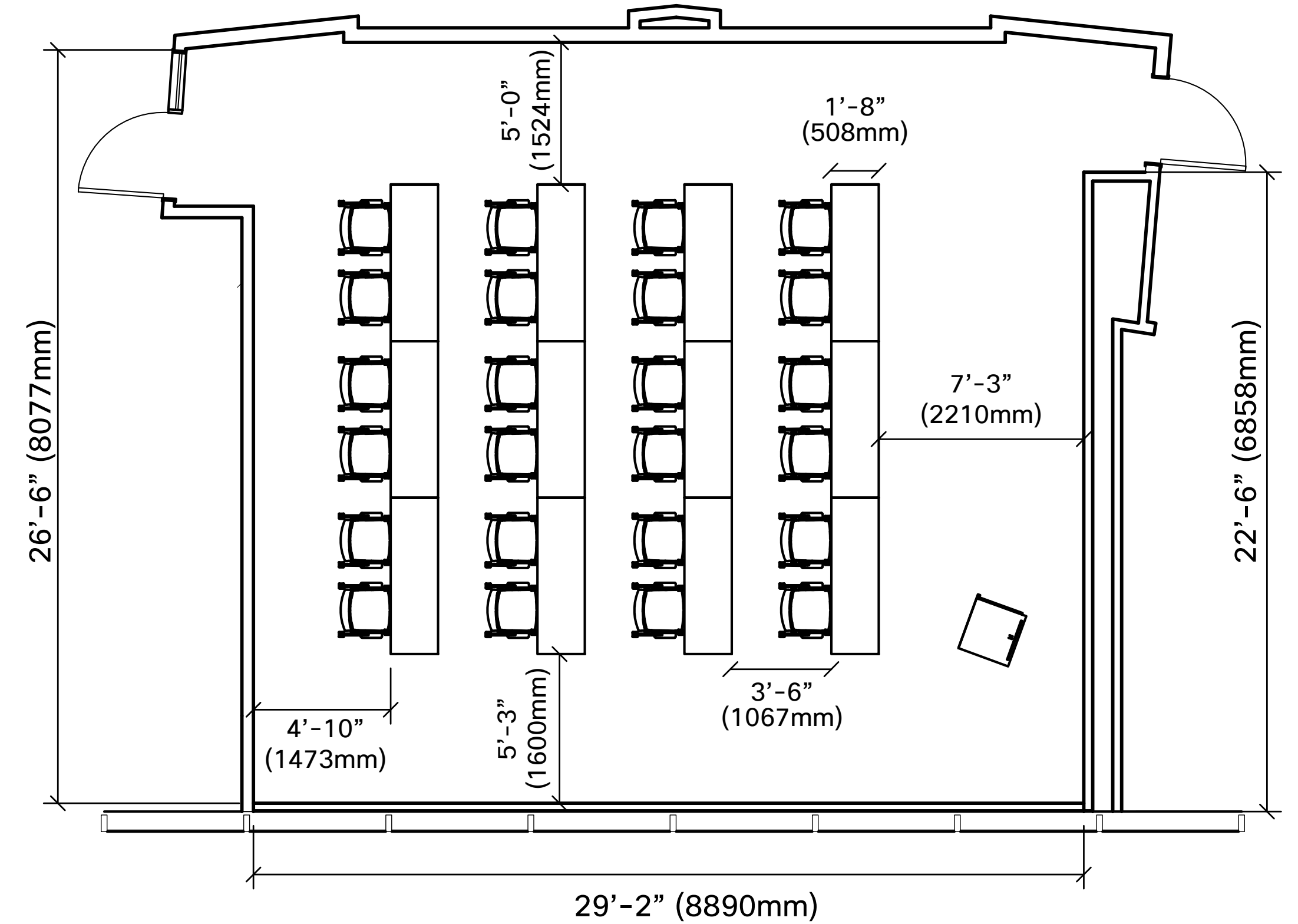
Cisco PTZ 4K Camera



CISCO

Training Room

Room Layout



Note: Floor plan depicts suggested nominal size.

Seminar Overview



Ideal for seminars and training events, these spaces accommodate various group sizes. This design's tiered seating and generously sized dual displays ensure an unobstructed view for all attendees. Both front and rear-mounted cameras, powered by Cisco Room Kit Pro, work in unison to provide an amazing experience for those attending in-person and remotely. The optional Cisco Board Pro 75 further enhances the experience by enabling integrated co-creation and whiteboarding.



Features

- Cisco Room Kit Pro with dual 98" displays (LG, Samsung, Panasonic or Sony)
- Cisco Overhead Microphones
- Rear mounted Cisco PTZ 4K Camera
- Third-party 6.5" overhead speakers (JBL Control 26CT, Extron Southfield or Crestron Saros) and amplifier
- Cisco Board Pro 75 (optional)
- Cisco Board Pro 75 on a Salamander XL Electric Lift Mobile Display Stand
- Stylex Verve Counter Stool
- Stylex Share Sofa
- Hightower Kona Laptop Table
- Teknion Thesis Lectern Podium

Seminar

Components - Technology



Cisco Room Kit Pro



Cisco Board Pro 75



Dual 98" Displays



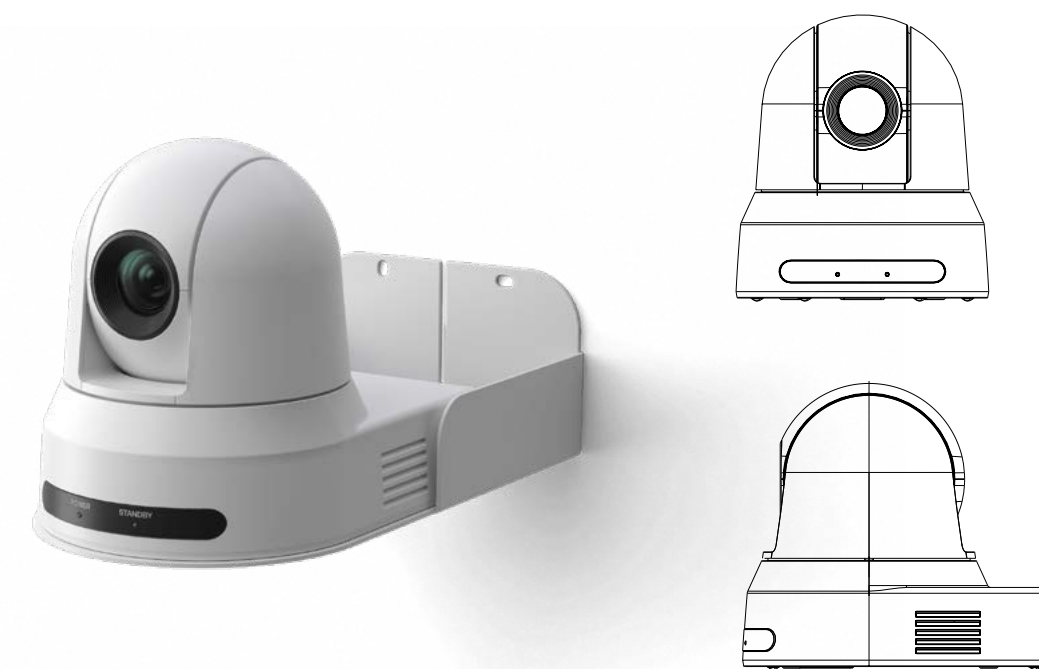
(LG, Panasonic, Samsung, or Sony)



Cisco Ceiling Microphones



Cisco PTZ 4K Camera



Seminar

Components - Furniture



Stylex Verve Counter Stool



Counter height stool, plastic shell and upholstered seat pad, 4-leg metal frame

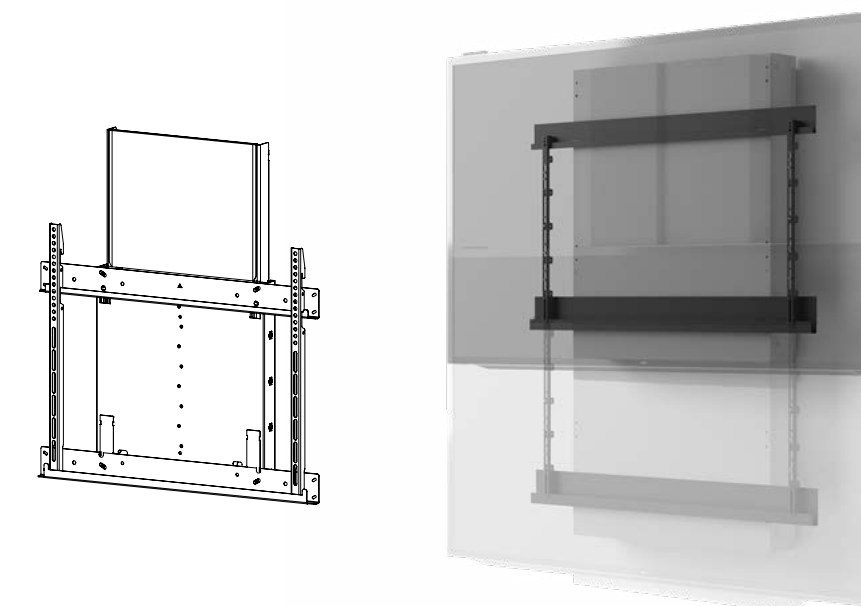
Fabric: Camira Main Line Finsburg

Legs: Forest Green

Plastic Shell: Milk

19" W x 41" H x 19" D x 26" seat height
(483mm W x 1041mm H x 483mm D x 660mm seat height)

Salamander EZTouch Mount



Hightower Kona Laptop Table with Tablet Holder



Top: Ash Veneer

Base: Gray

21" W x 26" H x 14" D
(533mm W x 660mm H x 356mm D)

Hightower

Stylex Share Sofa Fully Upholstered



(2) Integrated Power Ports,

Fabric: Seat/Back - Maharam Beck Interlude,
Arms/Accent Band - Maharam Beck Inkpad

Legs: White Oak

STYLEX

Teknion Thesis Lectern Podium



Mobile Lectern with Storage, Casters and power/data

Laminates: Campus Oak (case) and Very White (front)

22" W x 46" H x 27" D
(635mm W x 1168mm H x 686mm D)

teknion

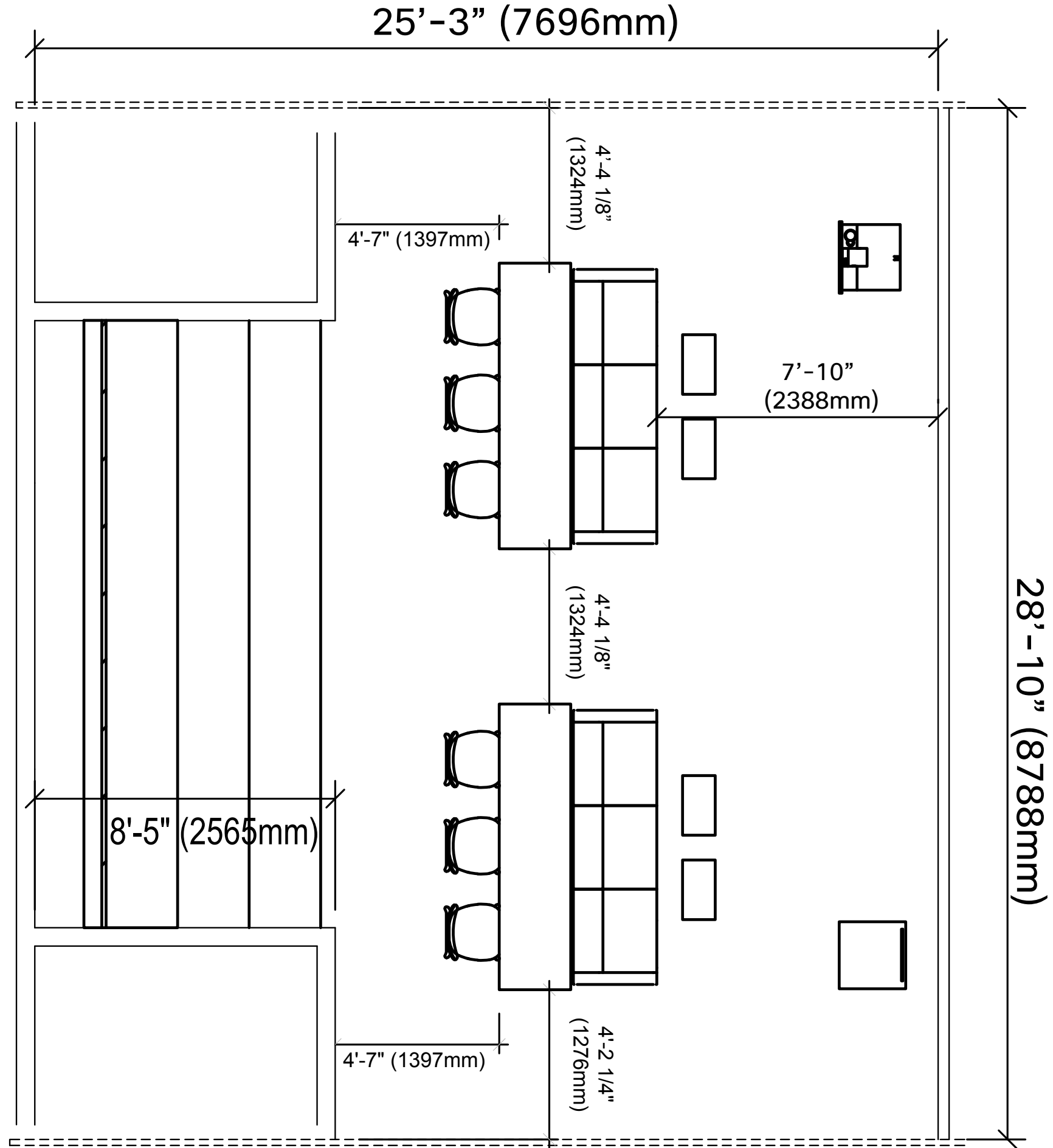
Kimball Strassa Table



Dimensions:
84" W x 41" H x 24" D
(2134mm W x 1041mm H
x 610mm D)

Kimball International

Seminar Room Layout



Note: Floor plan depicts suggested nominal size.



Resources

Project Workplace

Guide: Best Practices for Creating Effective Video-enabled Rooms

The intent of this document is to highlight the details, components and partners used in the creation of ATL Tech Square. Any reference herein to any specific commercial products or service does not necessarily constitute or imply its endorsement or recommendation.

© 2023 Cisco and/or its affiliates. All rights reserved. Cisco, the Cisco logo, Webex by Cisco, and Webex are trademarks or registered trademarks of Cisco and/or its affiliates in the U.S. and other countries. To view a list of Cisco trademarks, see the Trademarks page on the Cisco website. Third-party trademarks mentioned are the property of their respective owners. The use of the word “partner” does not imply a partnership relationship between Cisco and any other company. (2106R)

Version 14 (June 2, 2023) © 2023 Cisco and/or its affiliates. All rights reserved.

