

Smart Building and Hybrid Work Solutions

# Cisco Talent and Collaboration Centers



## ATL Tech Square Look Book

Version 19 (September 10, 2024) © 2024 Cisco and/or its affiliates. All rights reserved.



# ATL Tech Square Look Book

## Designing the office for the Hybrid World

Sitting on the campus of Georgia Institute of Technology, ATL Tech Square is Cisco's first Talent and Collaboration Center in the southeast region. Like other newly renovated Cisco offices in New York and Chicago, ATL Tech Square combines hyper-connectivity, cutting-edge green tech, and beautiful, vibrant design to completely upend assumptions about what an in-office experience can be.

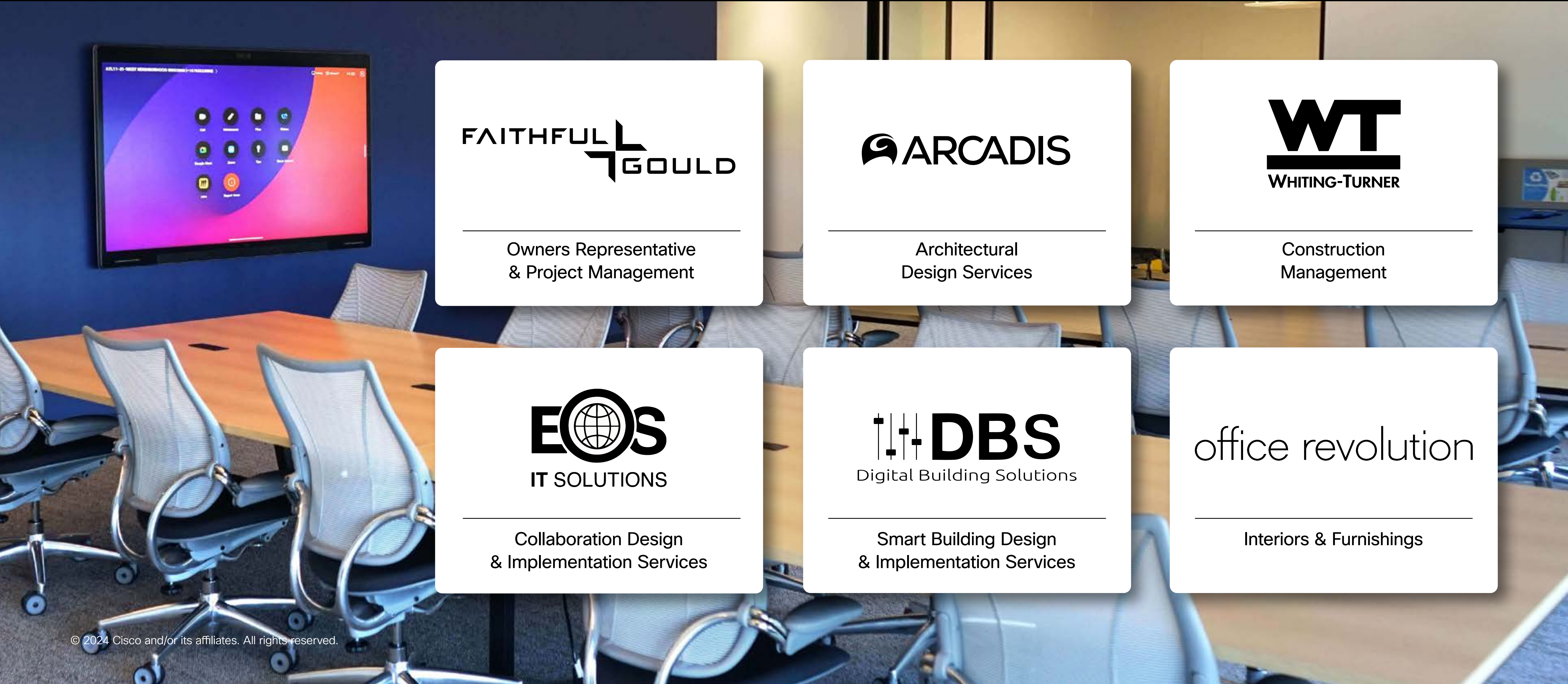
ATL Tech Square is one of the most connected, sustainable, and collaborative work environments Cisco has ever built. Phase 1, which encompasses 62,000 ft<sup>2</sup> (5,760 m<sup>2</sup>) of space is designed for employees, customers, and partners to collaborate, learn, and socialize. Phase 2 will include an additional 20,000 ft<sup>2</sup> (1,860 m<sup>2</sup>) of hybrid working space and a 10,000 ft<sup>2</sup> (930 m<sup>2</sup>) Innovation Center, which will include Cisco's Networking Energy Center of Excellence.

Built on a Power over Ethernet (PoE) foundation, 100% of the lighting, shading, environmental controls, and sit-stand desks are low voltage, contributing to Cisco's sustainability (LEED) and health and wellness (WELL) goals. When combined with other technology elements – such as Cisco Collaboration Devices, Cisco Catalyst WiFi Access Points, Meraki Cameras, and Cisco Smart Workspace, all connected by the Cisco Catalyst Network – ATL Tech Square is the next step in Cisco's journey to digitize its real estate portfolio.

The intent of this document is to highlight the details, components and partners used in the creation of ATL Tech Square. Any reference herein to any specific commercial products or service does not necessarily constitute or imply its endorsement or recommendation.

▶ Key Design & Implementation Partners	3
▶ Enabling Technology	4
▶ Floor Plan	12
▶ Hot Desk	13
▶ Video Booth	15
▶ Quiet Room (1 and 2 Person)	16
▶ Traditional Huddle Room	19
▶ Casual Huddle Room	22
▶ Brainstorming Huddle Room	25
▶ Brainstorming Huddle Room - Oval	28
▶ Small Collaboration Room	31
▶ Small Brainstorming - Open Plan	34
▶ Medium Collaboration Room - Dual Display	38
▶ Medium Collaboration Room - Video Centric	41
▶ Medium Brainstorming Space	44
▶ Innovation Suite	47
▶ Large Collaboration Room	50
▶ Training Room	54
▶ Seminar	57
▶ Resources	61

# Key Design & Implementation Partners



**FAITHFUL+GOULD**

---

Owners Representative  
& Project Management

**ARCADIS**

---

Architectural  
Design Services

**WT**  
WHITING-TURNER

---

Construction  
Management

**EOS**  
IT SOLUTIONS

---

Collaboration Design  
& Implementation Services

**DBS**  
Digital Building Solutions

---

Smart Building Design  
& Implementation Services

office revolution

---

Interiors & Furnishings

# Enabling Technology

## Smart Building Components



**molex**

Low Voltage 90W PoE Lighting (employee zone), air quality / CO2, Temp, Humidity, VOC



**Mecho**

Intelligent automated shading platform

**USAI<sup>®</sup>**  
Lighting

Luminary Lighting

**mht**

Low Voltage 90W Power over Ethernet (PoE) lighting and powered actuators for height adjustable desks, device charging, and environmental data integrated with DNA spaces

# Enabling Technology

## Smart Cameras



High-definition Indoor Security Cameras

Providing local storage of video and advanced object detection to support people counting.



Cisco Meraki MV22 Cloud Managed Security Camera



# Enabling Technology

## Cisco Smart Workspaces



Workplace visualization tool, leveraging data sources across all technology platforms to help employees make better decisions within the work environment.



Floor occupancy from wireless access points

Indoor air quality from wired sensors in lighting platform, Cisco collaboration devices in collaboration spaces/individual spaces

Desk occupancy from Cisco Desk Series devices located at hotdesks

Collaboration space availability using presence and people counting data from Cisco collaboration devices

# Enabling Technology

## Networking Elements



Cisco Catalyst 9300 Switch



The Cisco Catalyst 9400 Switch provides connectivity for IT elements (video devices, wireless APs, IP Phones, smart cameras, etc.).

The Cisco Catalyst 90 watt UPOE+ 9300 stackable switching platforms is used to connect and power OT/smart building components (lighting, shading, thermostats, sensors, etc.).

Cisco Catalyst 9400 Switch



Cisco Catalyst 9130AX Access Points



The Cisco Catalyst 6E-compliant Wireless Access Points (APs) provide secure network connectivity for employees and guests.

The Cisco Catalyst 9136 and 9166 APs also have built in air quality (VoC) sensors, providing additional data on environmental performance.

# Enabling Technology

## Cisco Video Devices



Cisco Room Bar



Cisco Room Kit EQ



Cisco Room Kit Pro



Cisco Board Pro



Cisco Room Kit EQX



Cisco Desk Pro



Cisco Desk



Cisco Desk Mini



Cisco Ceiling  
Microphones



Cisco Table  
Microphone Pro



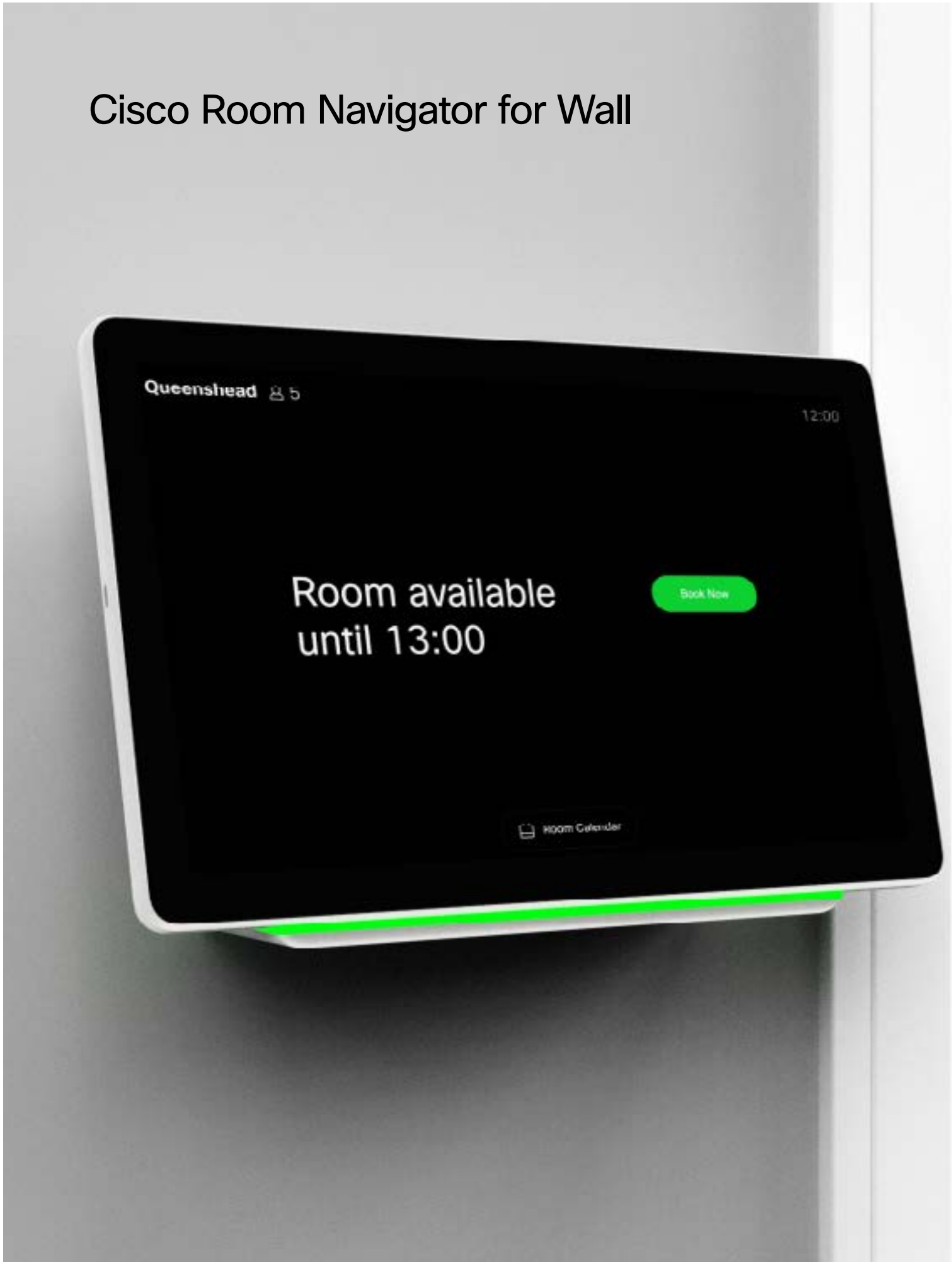


# Enabling Technology

## Room Signage

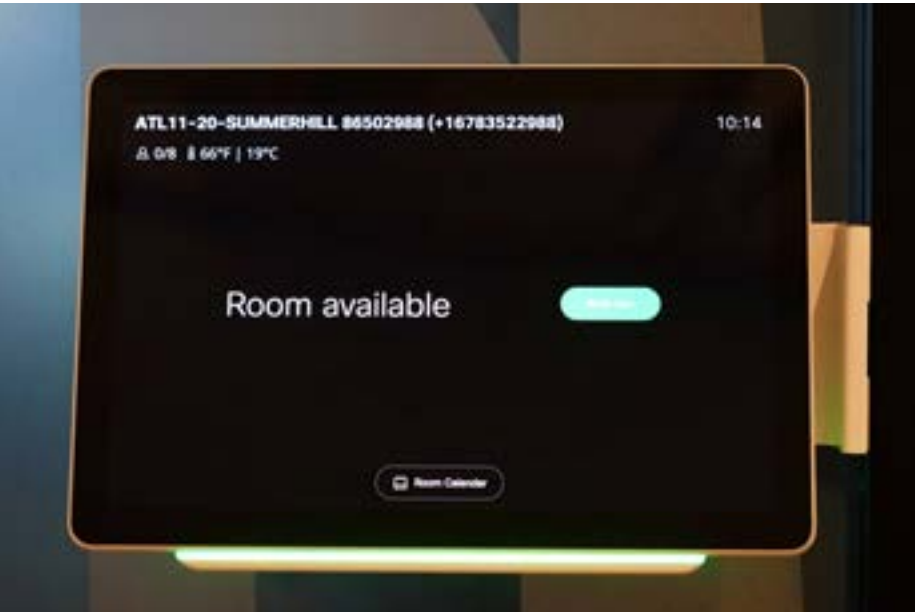


Cisco Room Navigator for Wall



### Bookable Rooms

Cisco Room Navigator for Wall – through its integration with O365, Exchange and Google Calendar – enables seamless room booking, calendar view, meeting information, and meeting extension with a few taps on the touch screen.



### Adhoc Rooms

The Cisco Room Navigator for Wall uses an in-house developed web app to change the display and LED light based on occupancy, green available, and red for occupied.



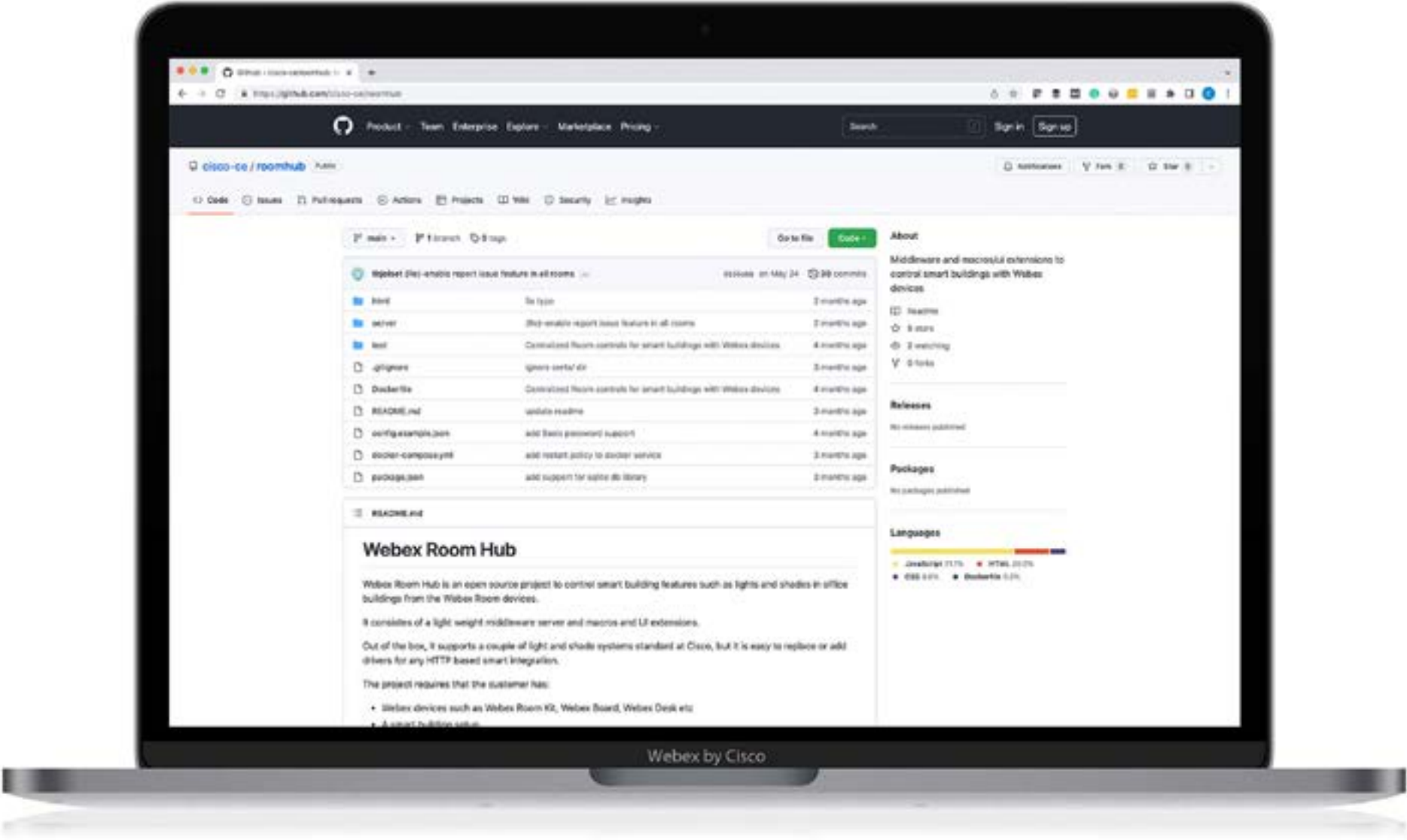
# Enabling Technology

## Building System Integration



Leveraging the open APIs available from the smart building systems and the UI Extension feature within the Cisco collaboration devices, custom buttons have been installed on the Cisco Board Pros, Cisco Desk/Desk Pros, and the Cisco Room Navigator to control lights and shades in the collaboration spaces.

These smart building controls are also available via voice command in selected rooms using Webex Assistant (“Hey Webex, lower the shades,” “Hey Webex, turn off the lights,” etc.). The integrations leverage the openness of the smart building APIs and the Cisco collaboration devices, and do not require using any third-party control systems (Crestron, AMX, etc.). They are now available on GitHub for download and use.



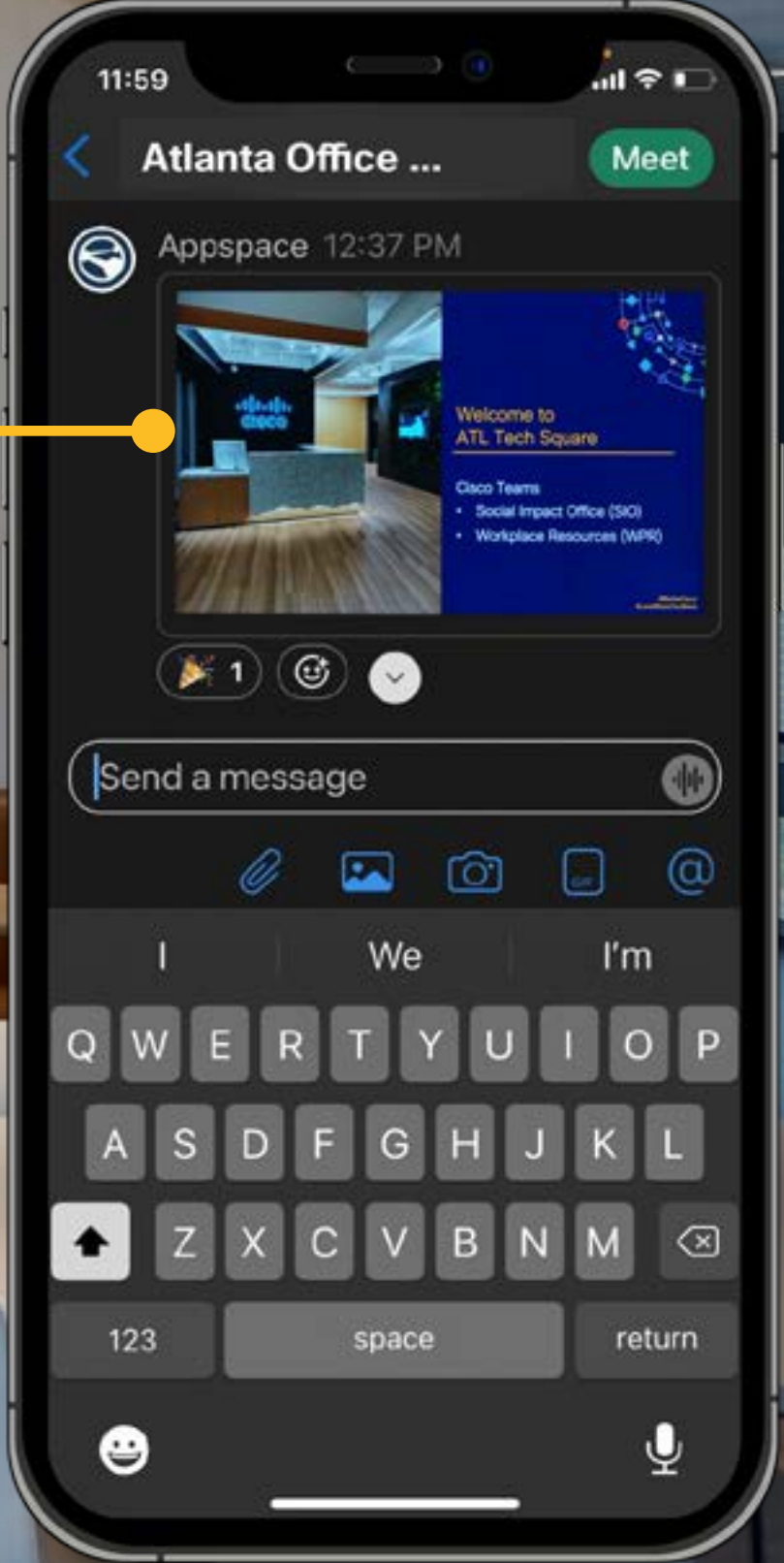

# Enabling Technology

## Digital Signage



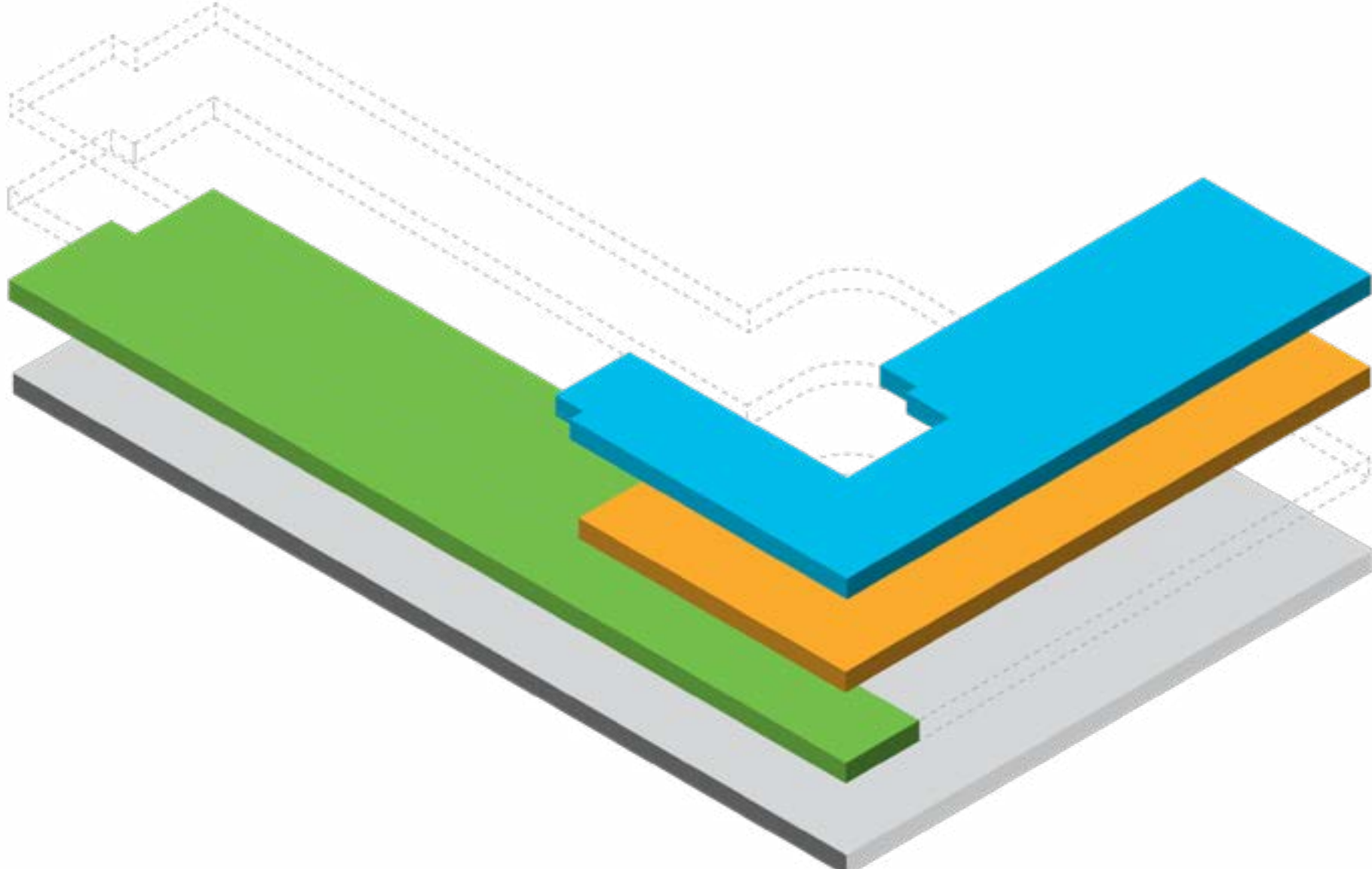
Appspace Digital Signage on Samsung 85" display

Simultaneous display of local office signage within the Webex app, via Appspace bot.



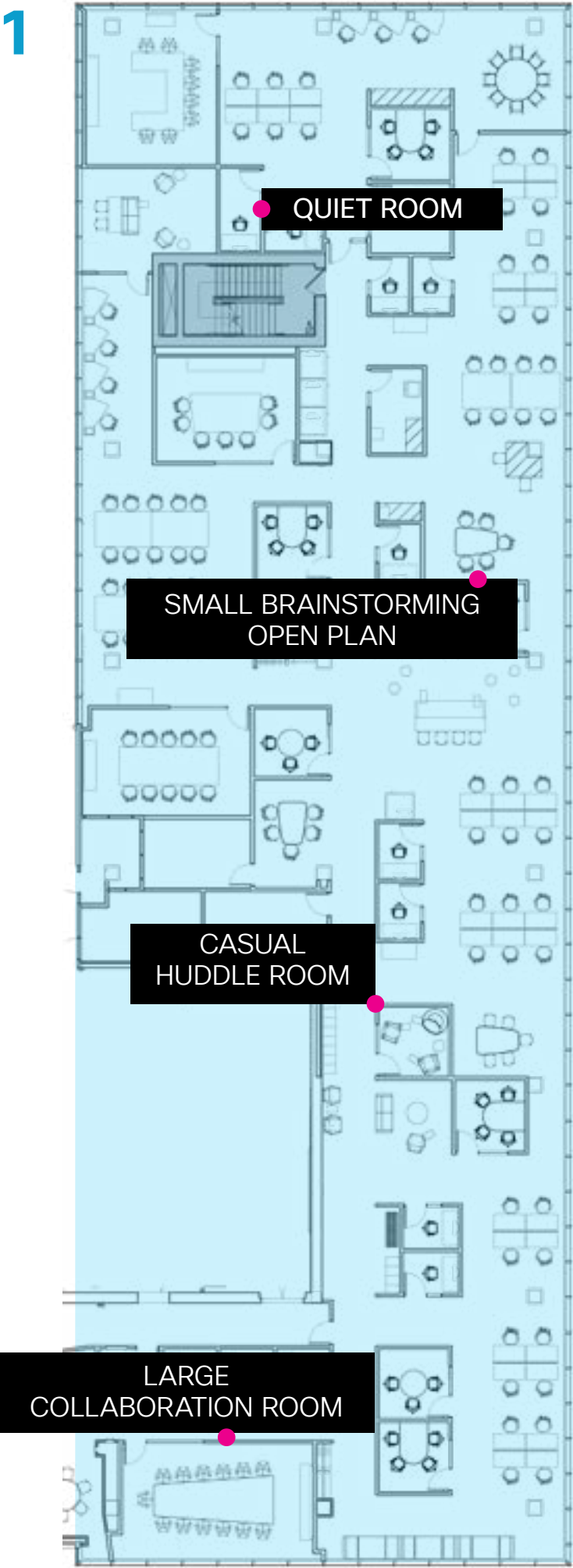
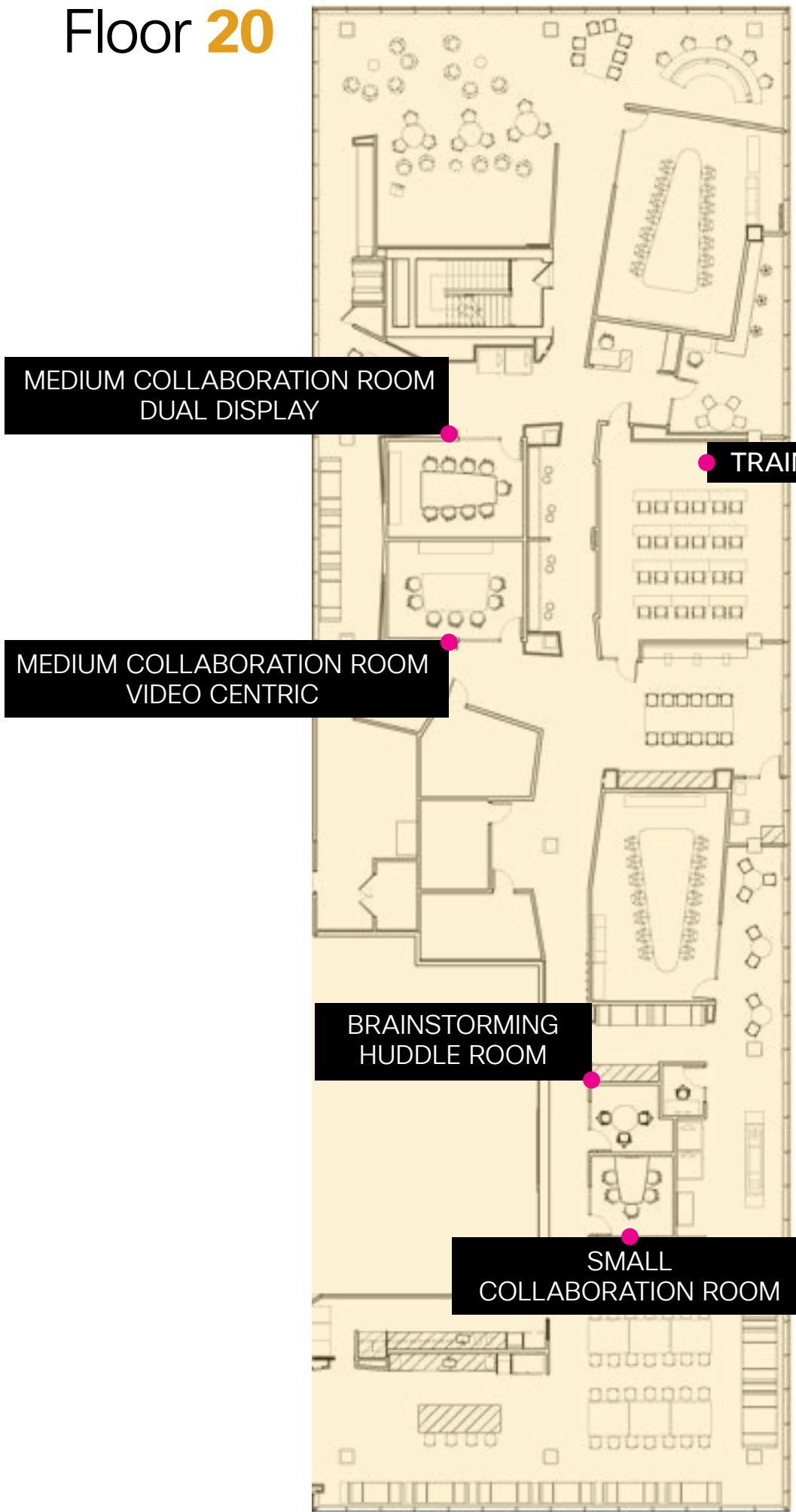
# Floor Plan

Floor 21  
Floor 20  
Floor 18

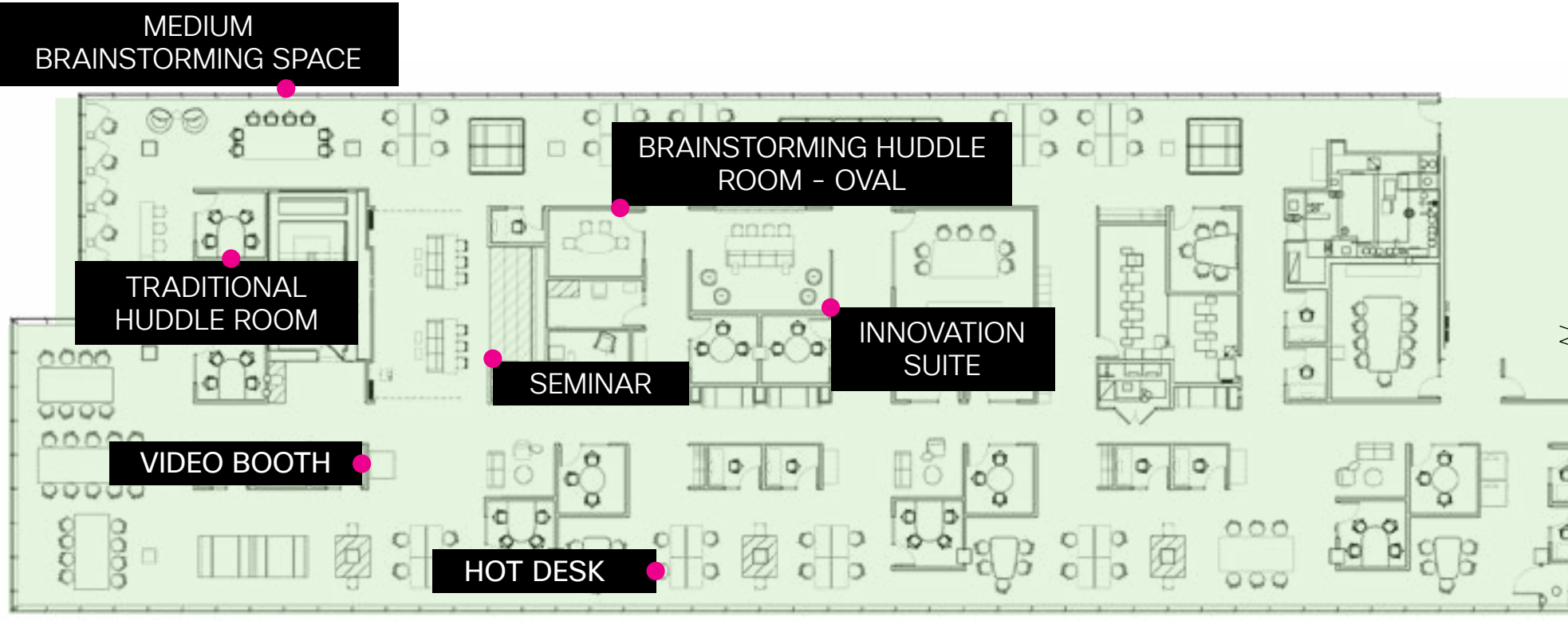


Floor 20

Floor 21



Floor 18



# Hot Desk

## Overview



Providing areas for people to do focus work or passively participate in a remote meeting is critical in the hybrid work environment, and the hot desk is the ideal space for these activities.

In ATL Tech Square, the hot desks are 100% low voltage and powered by the network. This includes powering the height adjustable motor, task light, USB-A and USB-C convenience outlets for laptop and mobile device charging, as well as the Cisco Desk device.

With a simple scan of the QR code, employees can sign in and book the desk for a few hours or for the rest of the day. Hot desking turns the Webex Desk into the employee's personal meeting device, enabling meeting notifications, One Button to Push, and whiteboarding. The device can also be used as a secondary display.

### Features

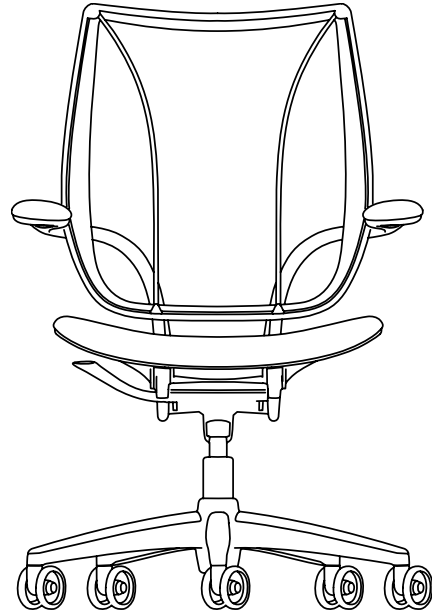
- Cisco Desk
- Teknion Navigate Height-Adjustable Table
- MHT PoE Power Module
- Humanscale Liberty Task chair
- Planet Tech PoE Splitter



# Hot Desk Components



Humanscale Liberty Task Chair



- Armrest/Armpad  
Fixed Duron Arms
- Frame Color  
Silver with Silver Trim
- Back Mesh  
Pinstripe (Color: White)
- Seat Textile  
Fourtis (Color: Granite Box Stitching)

Humanscale

Cisco Desk



CISCO

Teknion Navigate  
Height Adjustable Table  
with PoE conversion kit



PoE Conversion  
Kit by: **mht**

teknion

Planet Tech PoE Splitter



POE-173S Single-Port 10/100/1000Mbps 802.3bt PoE++ Splitter  
The POE-173S 802.3bt PoE splitter supports passive 10/100/1000Mbps Ethernet connection and distance up to 100 meters.

PLANET

# Video Booth



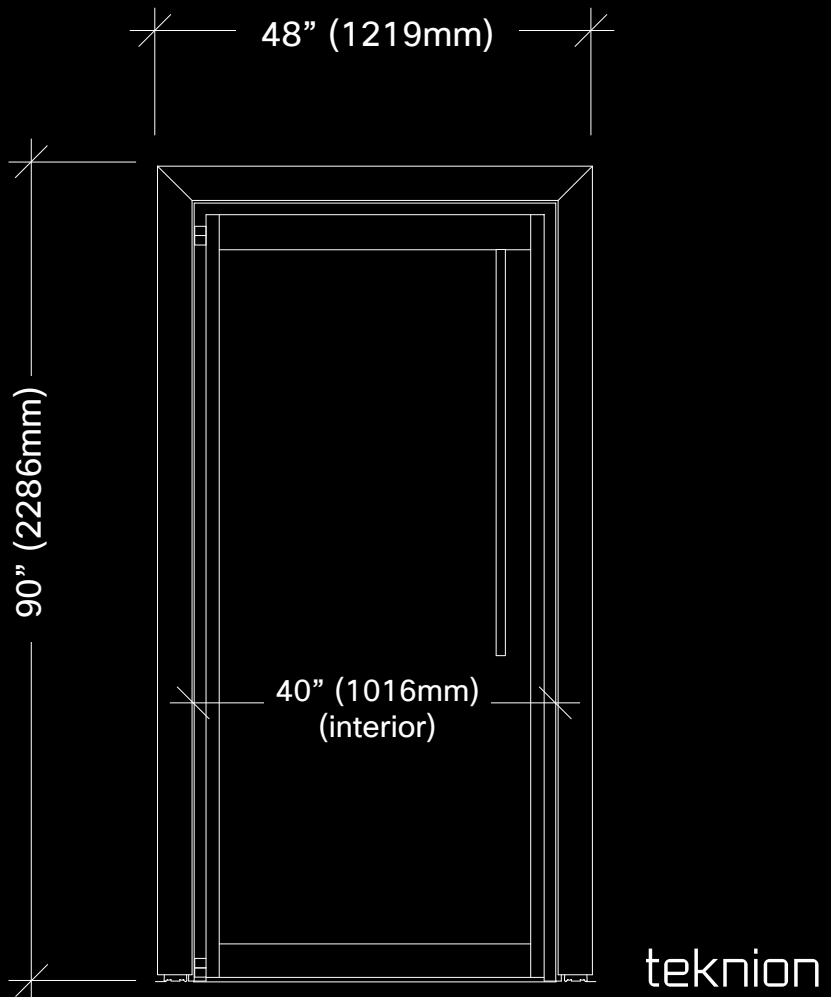
Ideal for short-duration privacy from the open plan, these free-standing spaces are equipped with a Cisco Desk Mini to enable video, desktop sharing, and whiteboarding.



Cisco Desk Mini



Teknion Tek Booth



# Quiet Room (1 and 2 Person)

## Overview



The one and two-person quiet rooms are the great space when employees and/or visitors need privacy to take a video call, carry out focused work, collaborate with another individual, or simply need a bit more screen space.

### Features

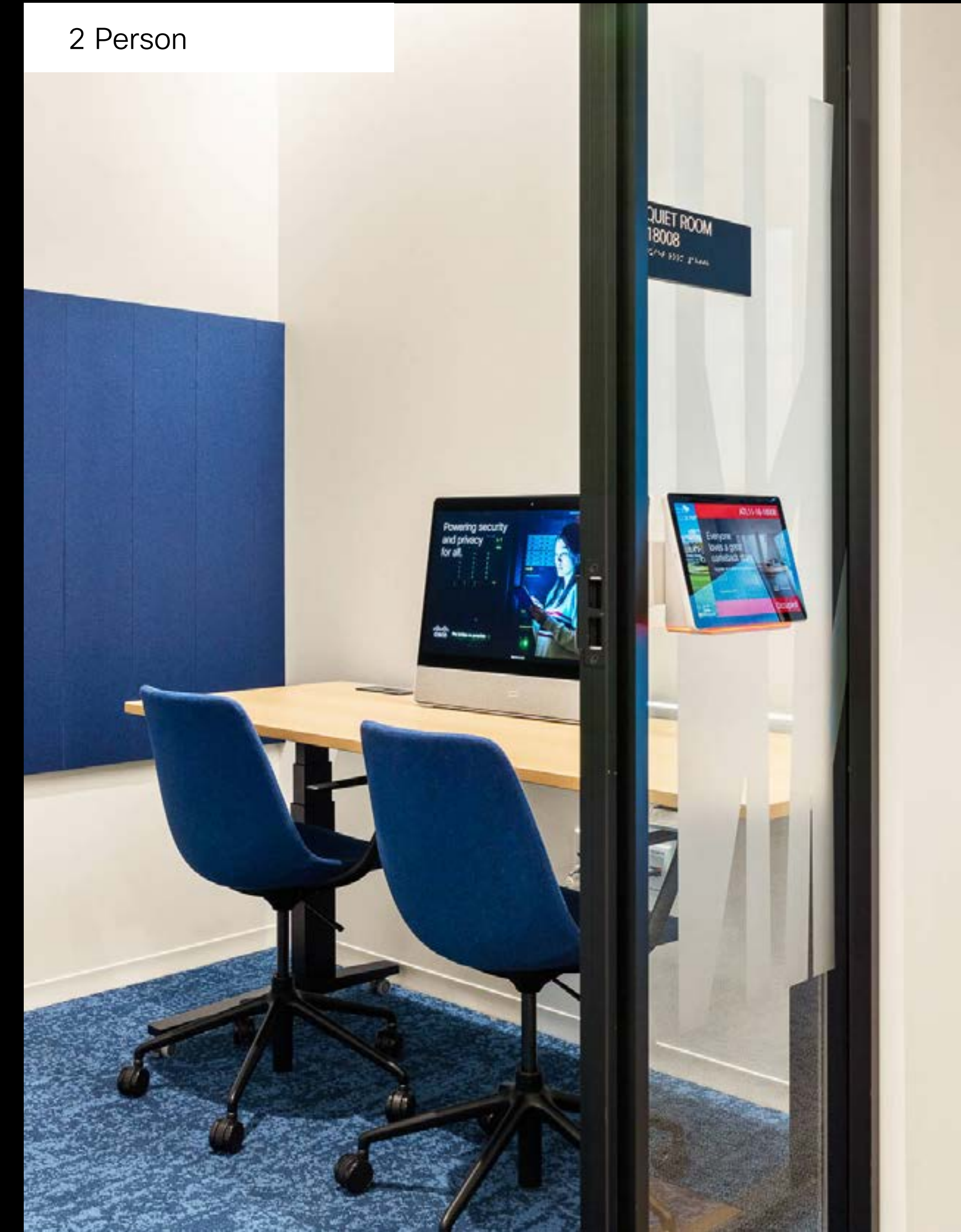
- Cisco Desk (1 person) and Cisco Desk Pro (2 person)
- Teknion Navigate Height-Adjustable Table
- Boss Ola Chair



1 Person



2 Person



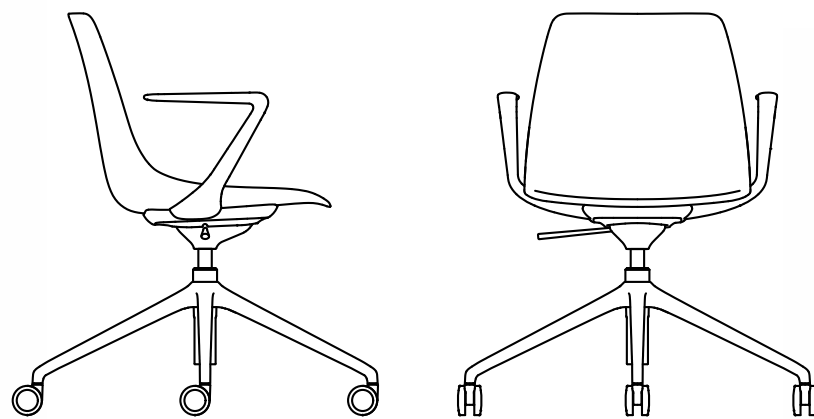


# Quiet Room (1 and 2 Person)

## Components



Boss Ola Chair



Fully Upholstered plastic shell, 5-star base with casters, height adjustable with back tilt mechanism and fixed z-arms

Fabric: Camira Main Line Flax

boss

Cisco Desk Pro



Cisco Desk



Teknion Navigate  
Height-Adjustable Table

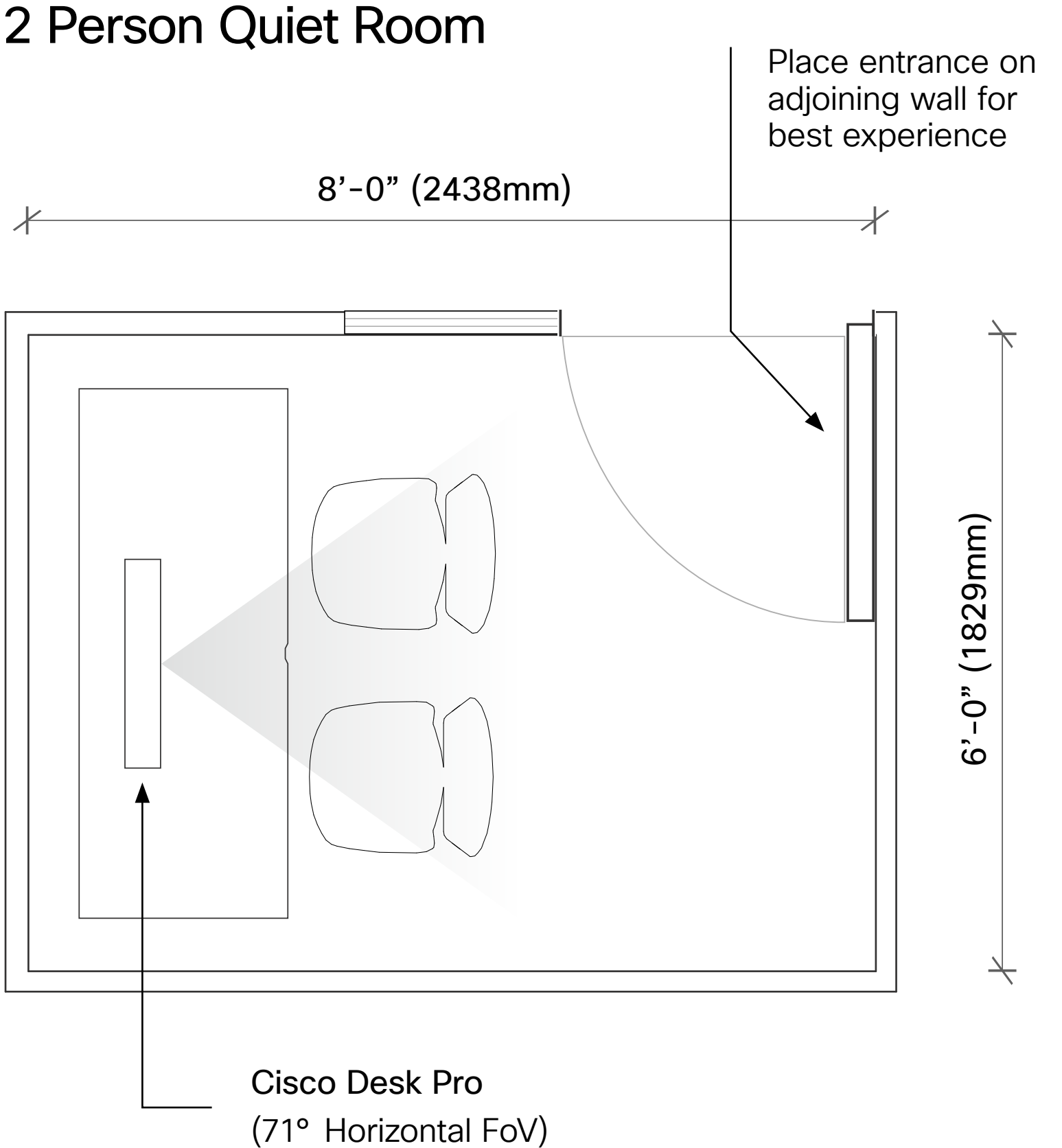
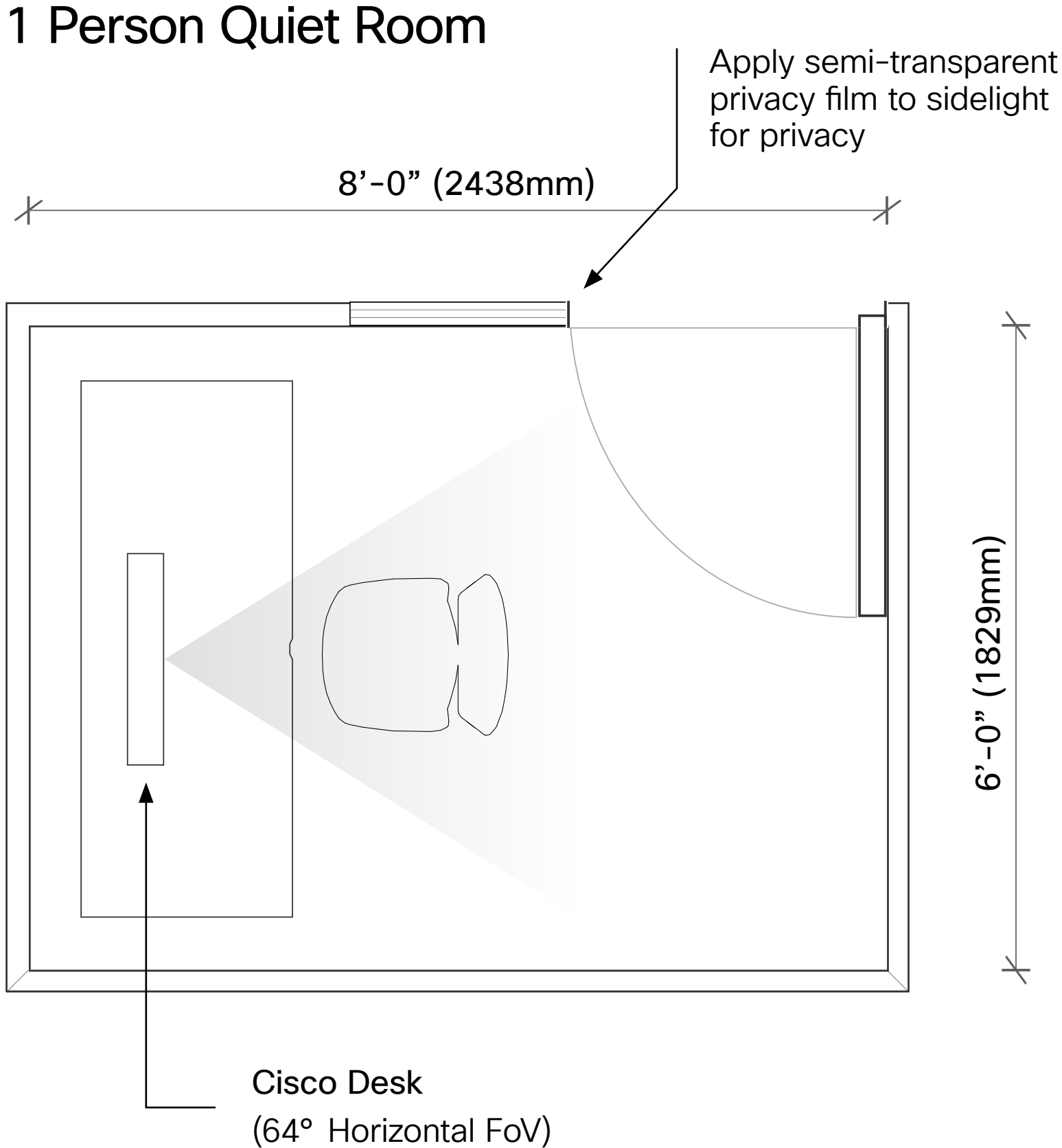


teknion

CISCO

# Quiet Room (1 and 2 Person)

## Room Layout



Note: Optimal size is nominal 8'x6' (2438mm x 1829mm), with a 5' (1524mm) table, 1 person room can go to 7'x5' (2134mm x 1524mm) with a 4' (1291mm) table if needed

# Traditional Huddle Room

## Overview



Making it easy for small groups to come together to share information, brainstorm, and solve problems is absolutely critical. In ATL Tech Square, we've replaced personal offices with dozens of huddle rooms and smaller collaboration spaces, each designed for this exact purpose. All of these spaces are video-enabled, ensuring the right resources can come together, regardless of where they are.

The Traditional Huddle Room is a superb space for small group collaboration, especially when you need to bring in that important remote participant. Wireless sharing allows you to display content effortlessly in local and virtual meetings.

### Features

- Cisco Room Bar
- Single 50" display (LG, Panasonic, Samsung, or Sony)
- Nienkamper Gateway Table (D-Shape)
- Boss Ola Chair

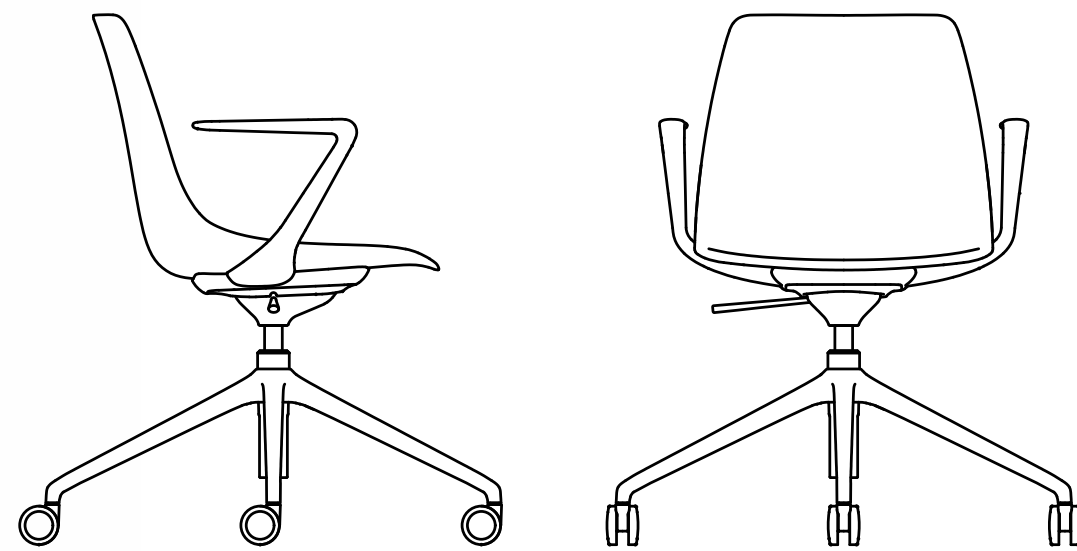


# Traditional Huddle Room

## Components



**Boss Ola Chair**



Seat Upholstery  
Camira Main Line Flax

Base  
Black

boss

**Nienkamper Gateway Table (D-Shape)**

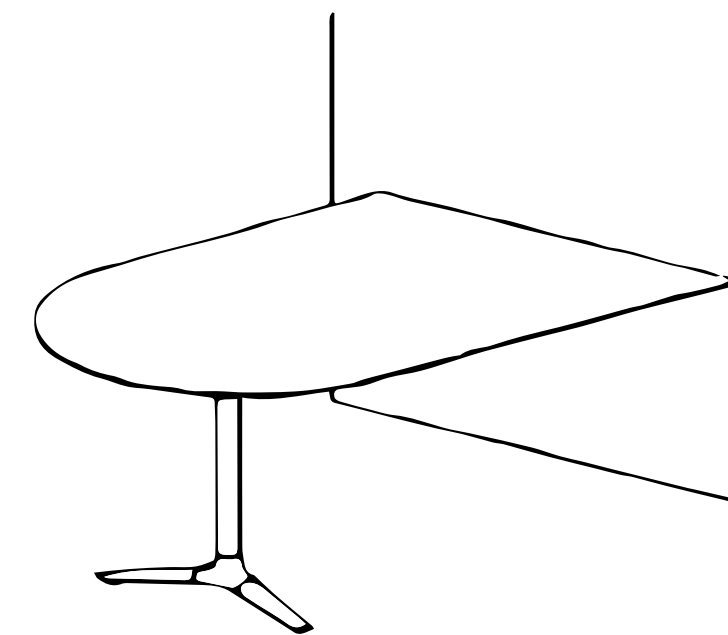
Laminate top  
Taper edge on 3 sides and self edge on wall mounted side, New Age Oak finish

Base  
Black Jack

60" W X 28.5" H X 42" D  
(1524mm W X 724mm H X 1067mm D)



Power Forum finish  
Black



**Cisco Room Bar**

CISCO



**Single 50" Display**

(LG, Panasonic, Samsung, or Sony)

LG Panasonic SAMSUNG SONY

nienkamper

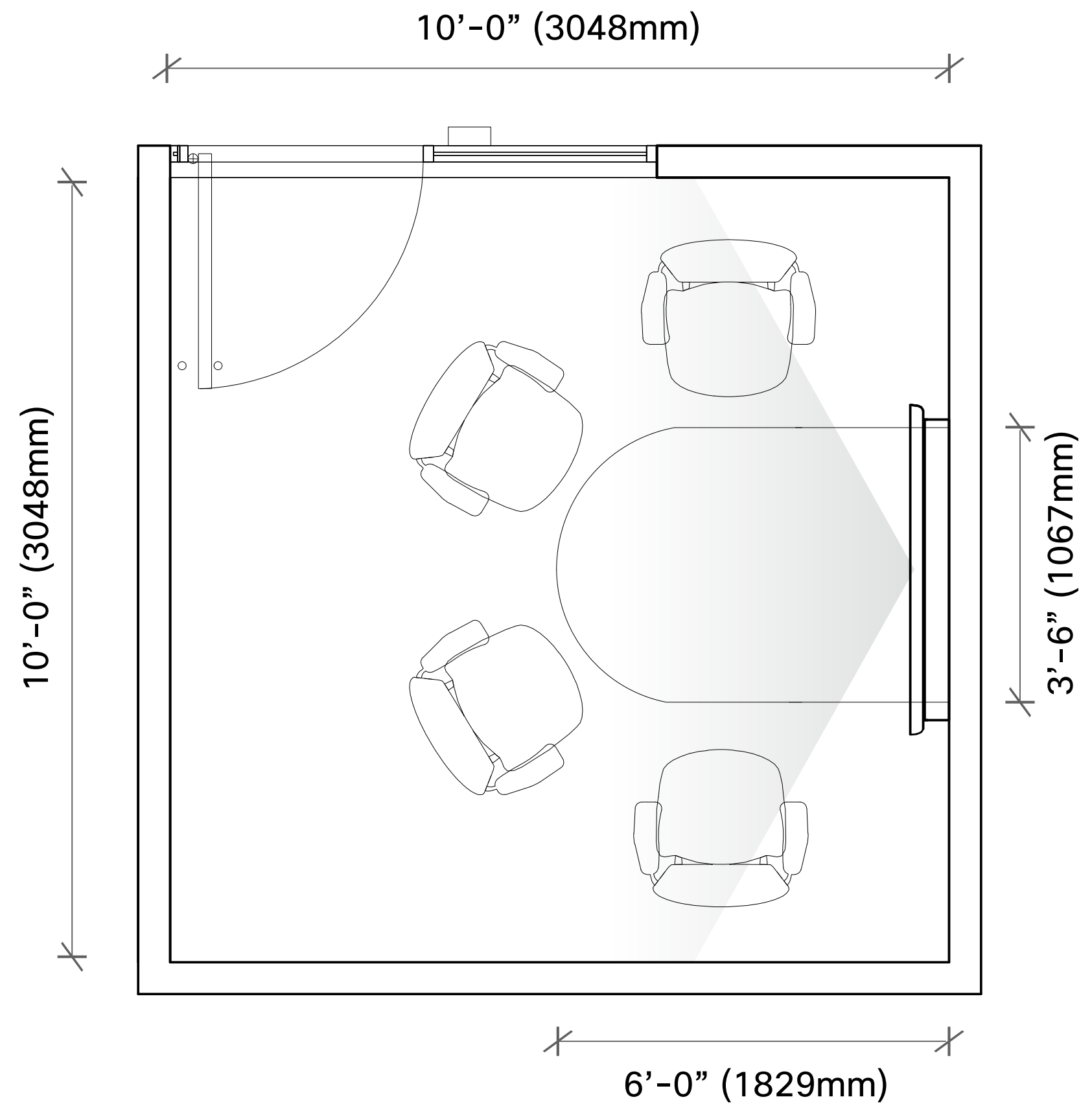
# Traditional Huddle Room

## Room Layout



10' x 10' (3048mm x 3048mm)

Optimal (4-Chairs)



Note: Floor plan depicts suggested nominal size.

# Casual Huddle Room

## Overview



The Casual Huddle is specifically designed for that informal meeting with colleagues, even when some of those colleagues are remote.

The soft seat is lightweight and highly flexible, allowing the space to adapt to any and all needs. The space can be deployed as an enclosed room as well as in the open plan. In addition, there are two technology options: a Cisco Room Bar for a video-centric experience or a Cisco Board Pro if co-creation is required..

### Features

- Cisco Room Bar with a single 55" display (LG, Panasonic, Samsung, or Sony) or Cisco Board Pro 55 on a Salamander EZ Touch Wall Mount
- JSI Indie Lounge Chair
- DPG Fan Lounge Chair
- Hightower Kona Laptop Table




# Casual Huddle Room

## Components



### Option 1



**Cisco Room Bar**

---

**CISCO**



**Single 55" Display**

---

LG Panasonic SAMSUNG SONY

### Option 2



**Cisco Board Pro 55**

---

**CISCO**



**Salamander  
EZ Touch  
Adjustable  
Mount**

---

**SALAMANDER  
DESIGNS**

### Stylex Share Sofa Fully Upholstered



(2) Integrated Power Ports,  
Fabric: Seat/Back - Maharam Beck Interlude,  
Arms/Accent Band - Maharam Beck Inkpad  
Legs: White Oak

**STYLEX**

### JSI Indie Lounge Chair



Lounge chair with 4 leg wood base and frame, fully upholstered  
Fabric: Stinson Modernist Lapis  
Wood Frame: White Oak Whitewash

36" x 31.5" x 29.25" x 17.25"  
(914mm x 800mm x 743mm x 438mm)

**JSI**

### DPG Fan Lounge Chair



Ashwood and leather seat pad  
34.4" W x 44.1" H x 24.8" D x 14.2"  
(874mm W x 1120mm H x 630mm D x 361mm)

### Hightower Kona Laptop Table with Tablet Holder



Top: Ash Veneer  
Base: Gray  
21" W X 26" H X 14" D  
(534mm W x 660mm H x 356mm D)

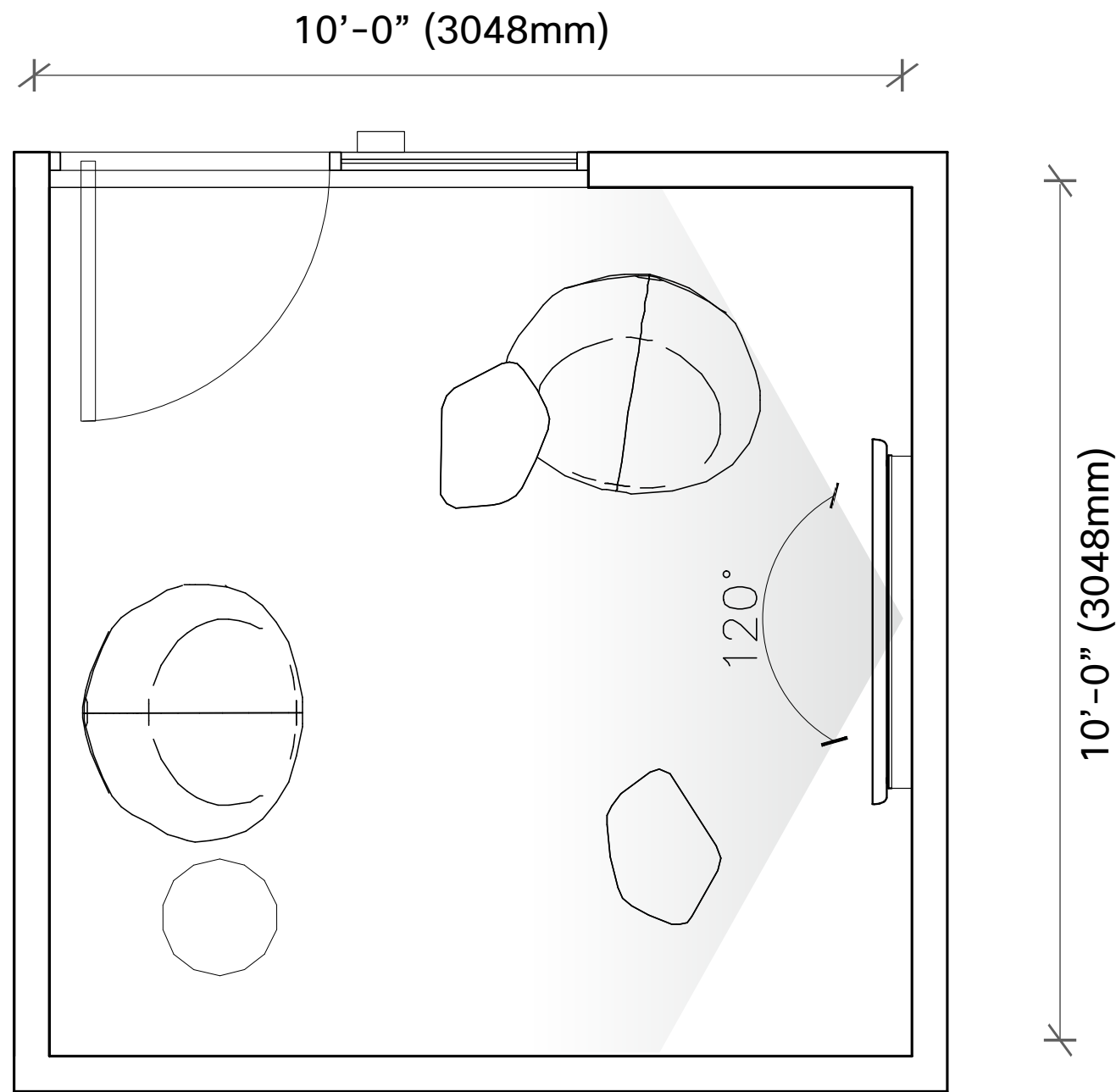
**Hightower**

# Casual Huddle Room

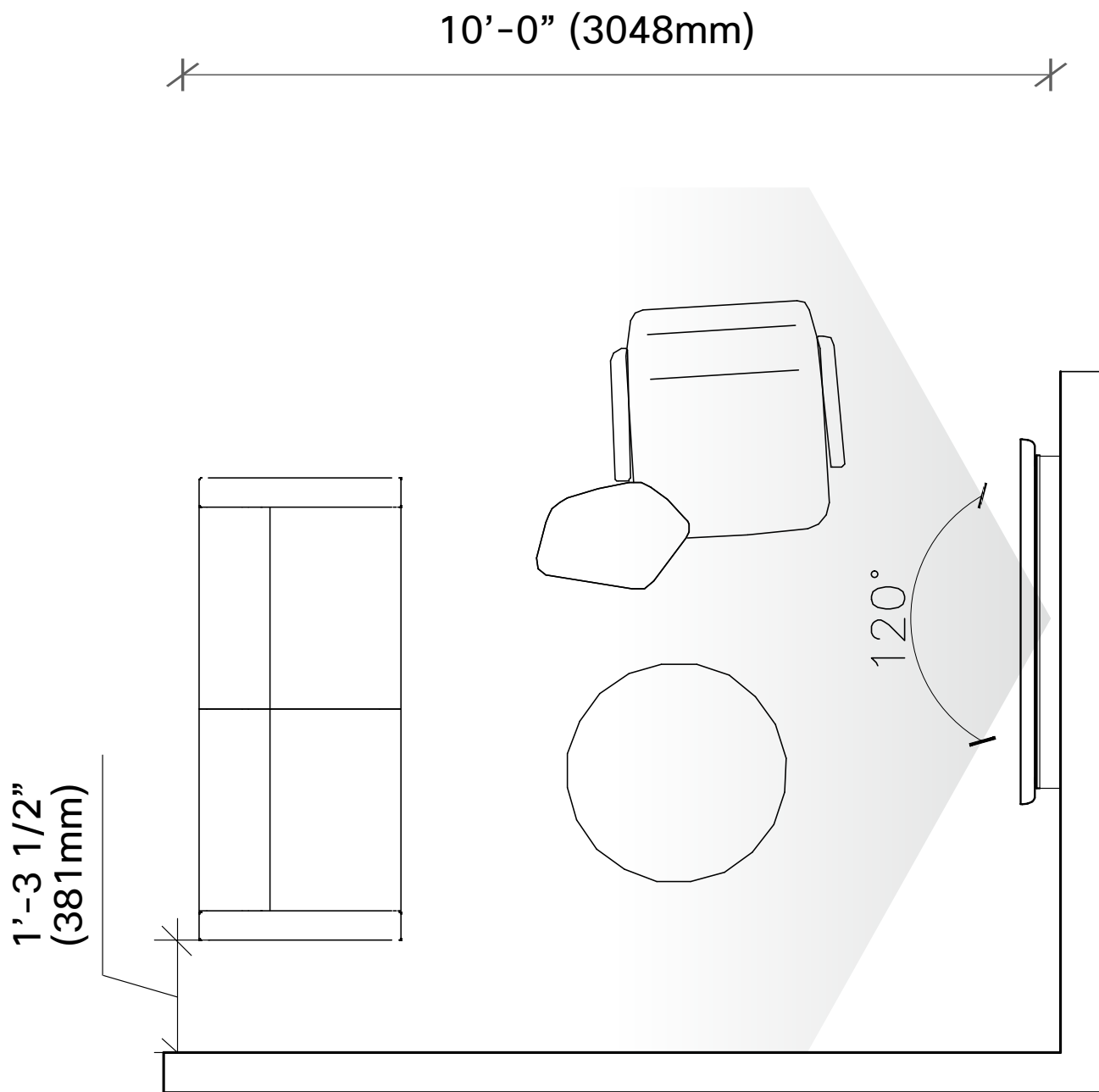
## Room Layout



Enclosed Room Option



Open Plan Option



Note: Floor plan depicts suggested nominal size.



# Brainstorming Huddle Room

## Overview



A perfect space for an ad-hoc brainstorming session or when you want to co-create with a colleague on an important project.

In ATL Tech Square, there are two options for this workspace – bar and standard height. When paired with a bar height table, the Cisco Board Pro 55 is attached to the fully supported wall using the Cisco Board Pro wall mounting kit. When standard height furniture is used, the optimal configuration includes an adjustable height mount, allowing the device to be used both in a standing and seated position.

### Features

- Cisco Board Pro 55, fixed wall mount (bar height) or Salamander EZ touch Wall mount (standard height)
- Boss Ola Chair (Standard Height) or Boss Ola Stool (Bar Height)
- Salamander EZ Touch Wall Mount (Standard Height) or Fixed Wall Mount (Bar Height)

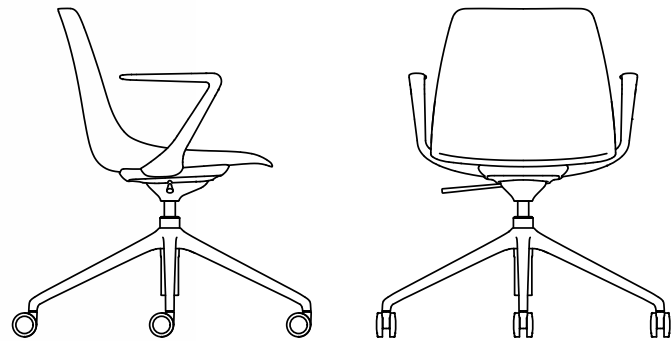


# Brainstorming Huddle Room

## Components



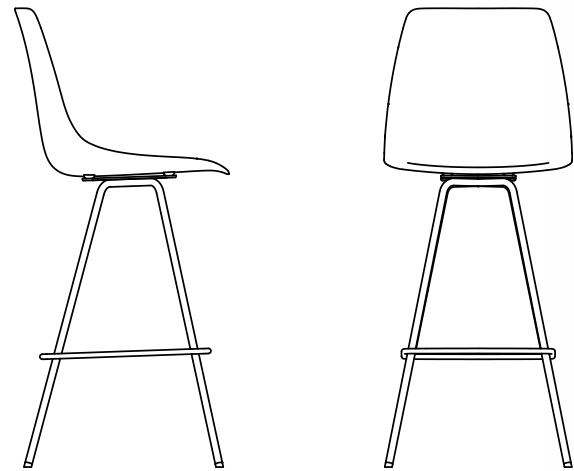
**Boss Ola Chair**



Fully Upholstered plastic shell, 5-star base with casters, height adjustable with back tilt mechanism and fixed z-arms  
Fabric: Camira Main Line Flax



**Boss Ola Stool**



Fully Upholstered plastic shell, armless  
Fabric: Camira Main Line Flax Victoria  
Legs: Black  
18.5" W x 45.25" H x 21" D x 29" seat (470mm W x 1149mm H x 533mm D x 737mm seat)

boss

**Cisco Board Pro 55**



cisco

**Nienkamper Gateway Round Table**

Laminate top and Cruciform base  
Flush Mount Simple Forum  
Laminate Top: New Age Oak  
Base: Black Jack  
48" W x 30"/42" H  
(1219mm W x 762mm/1067mm H)

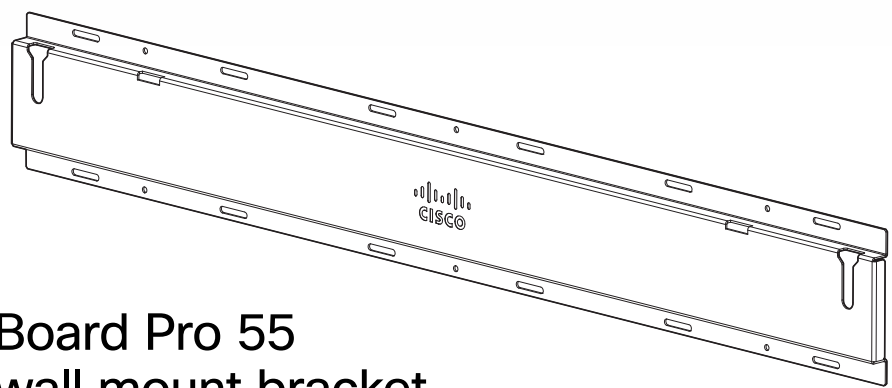


Power Forum  
1 Power module  
Finish  
Black



nienkämper

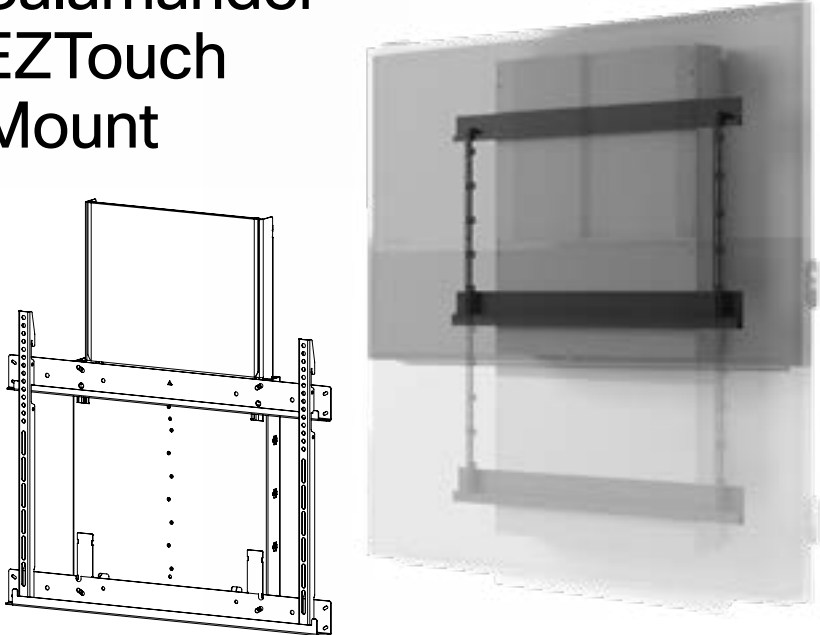
**Cisco Board Pro Wall Mounting Kit**



Board Pro 55 wall mount bracket

cisco

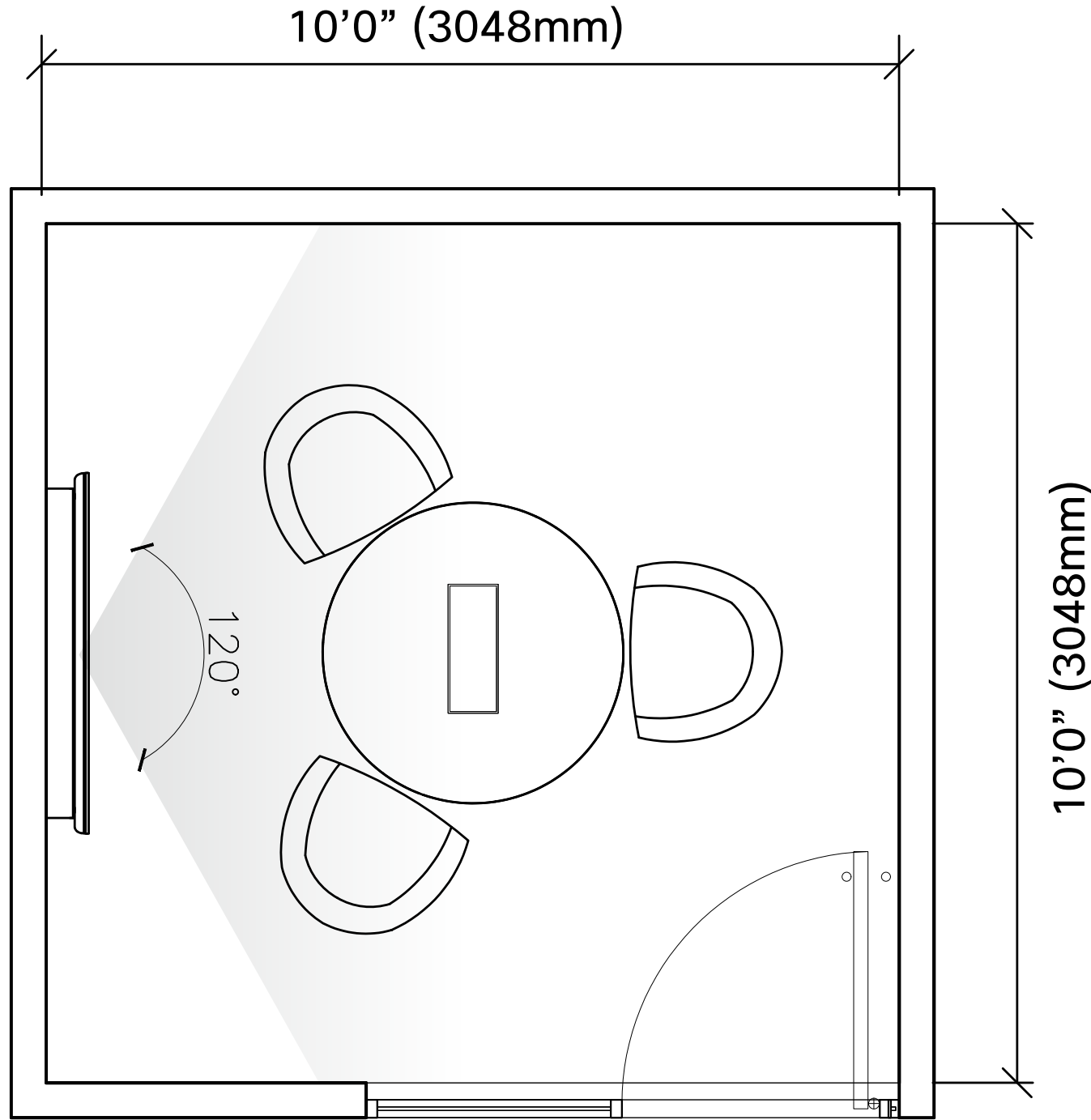
**Salamander EZTouch Mount**



SALAMANDER  
DESIGNS

# Brainstorming Huddle Room

## Room Layout



Note: Floor plan depicts suggested nominal size.

# Brainstorming Huddle Room - Oval

## Overview



Turn a small room into a space for big ideas. The Cisco Board Pro allows users to co-create, share content, or join a video call. The counter height table and chairs change the attendee's posture and encourage people to get up and interact with this all-in-one device.

### Features

- Wall mounted Cisco Board Pro 55
- Nienkamper Vox Standing Height Table
- Stylex Verve Counter Stool



# Brainstorming Huddle Room - Oval

## Components



Stylex Verve Counter Stool



Counter height stool, plastic shell and upholstered seat pad, 4-leg metal frame  
 Fabric: Camira Main Line Flax Victoria  
 Legs: Navy  
 Plastic Shell: Milk  
 19" W x 41" H x 19" D x 26" seat height  
 (483mm W x 1041mm H x 483mm D x 660mm seat height)

**STYLEX**

Nienkamper Vox Standing Height Table TB-21



Table with Standing Height & Trough  
 Trapezoid Shape  
 Laminate top  
 Wilsonart-Natural Rift 7954-38, fine velvet finish  
 Base  
 Black  
 72" W x 38" H x 60/72" D  
 (1829mm W x 965mm H x 1524/1829mm D)



Power Forum finish  
 Black

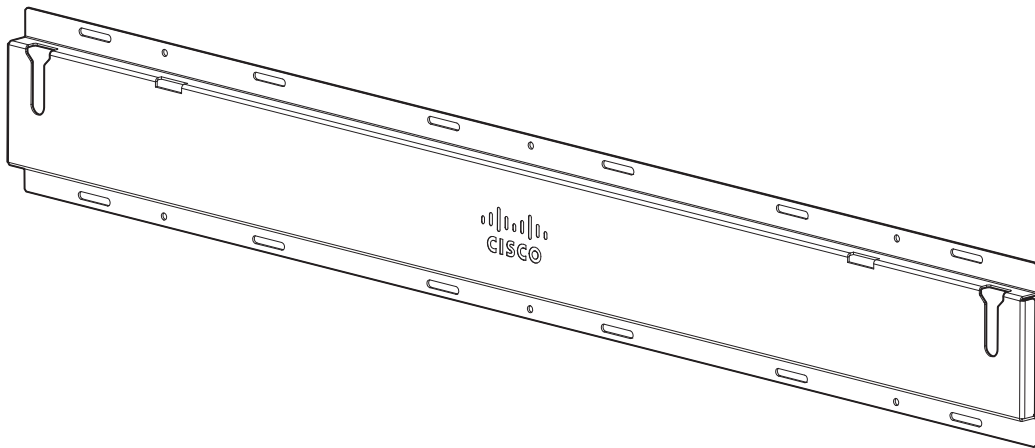
nienkämper

Cisco Board Pro 55



Cisco Board Pro Wall Mounting Kit

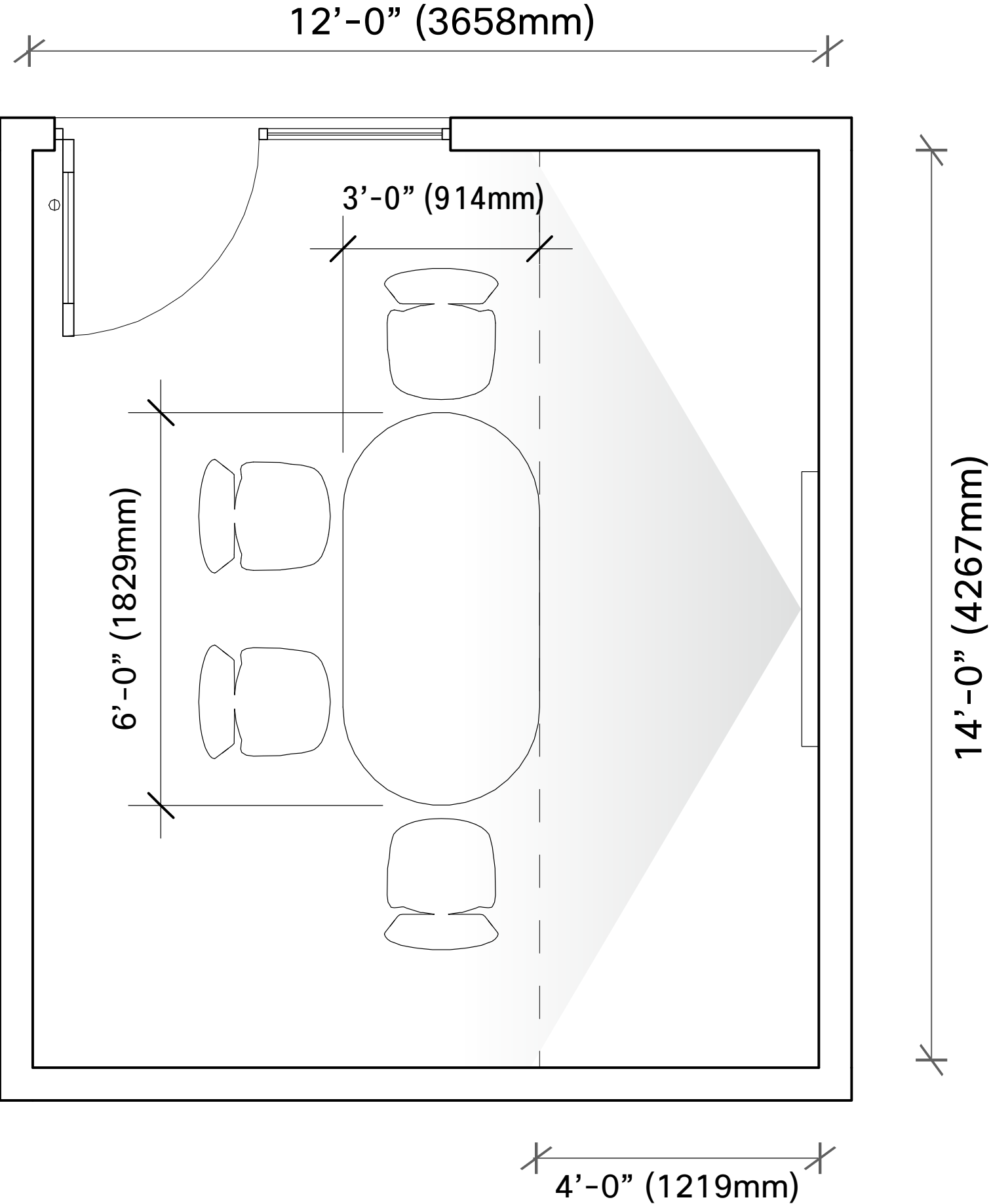
Board Pro 55 wall mount bracket



**CISCO**

# Brainstorming Huddle Room - Oval

Room Layout



Note: Floor plan depicts suggested nominal size.

# Small Collaboration Room

## Overview



Small groups get work done. These small collaboration rooms are great spaces to bring in-person and remote colleagues together. The 120° field of view of the Cisco Room Bar ensures everyone is in view.

### Features

- Cisco Room Bar
- Single 55" Display (LG, Panasonic, Samsung, or Sony)
- Neinkamper Gateway Table
- Humanscale Liberty Task Chair

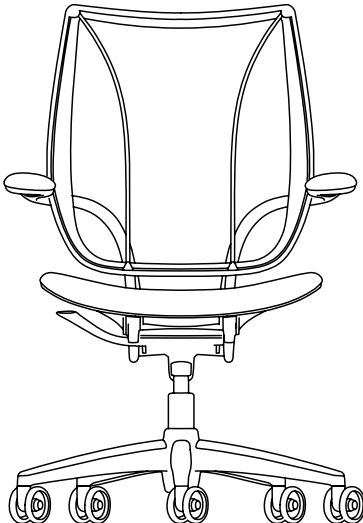


# Small Collaboration Room

## Components



**Humanscale Liberty  
Task Chair**



- Armrest/Armpad**  
Fixed Duron Arms
- Frame Color**  
Silver with Silver Trim
- Back Mesh**  
Pinstripe (Color: White)
- Seat Textile**  
Fourtis (Color: Granite Box Stitching)

Humanscale

## Nienkamper Gateway TB-09

Table with Trapezoid Top, (1) simple forum with wood trough-6 ports

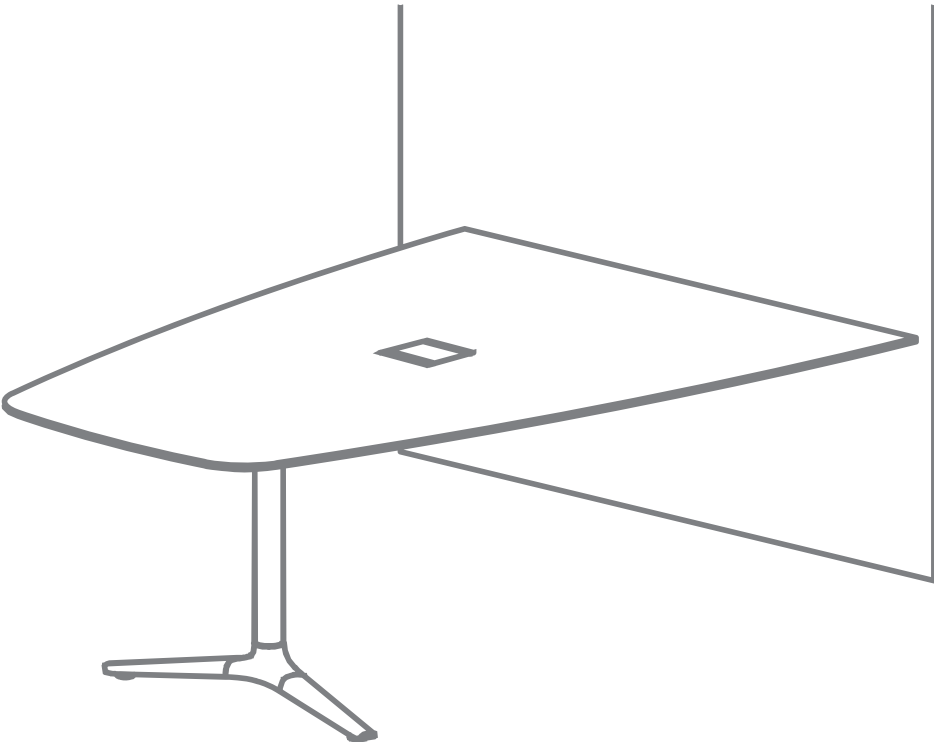
**Wood finish top**  
#F18 Natural White Oak

**Leg finish**  
Black

72" W x 28-1/2" H x 32"/55" D  
(1829mm W x 724mm H x 813/1397mm D)



**Power Forum finish**  
Black



**Cisco Room Bar**



**Single 55" display**  
(LG, Panasonic, Samsung, or Sony)

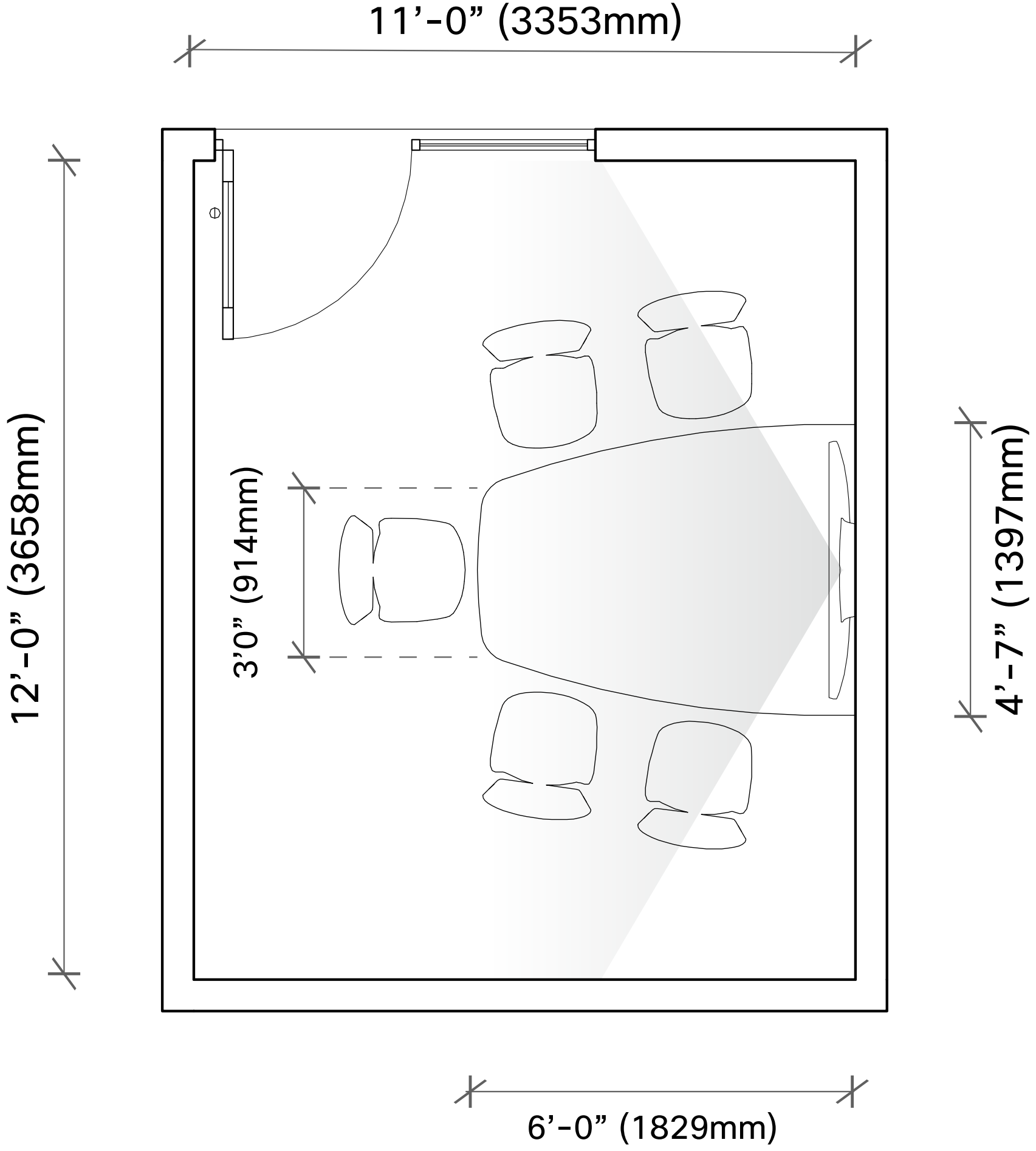


nienkamper



# Small Collaboration Room

## Room Layout



Note: Floor plan depicts suggested nominal size.

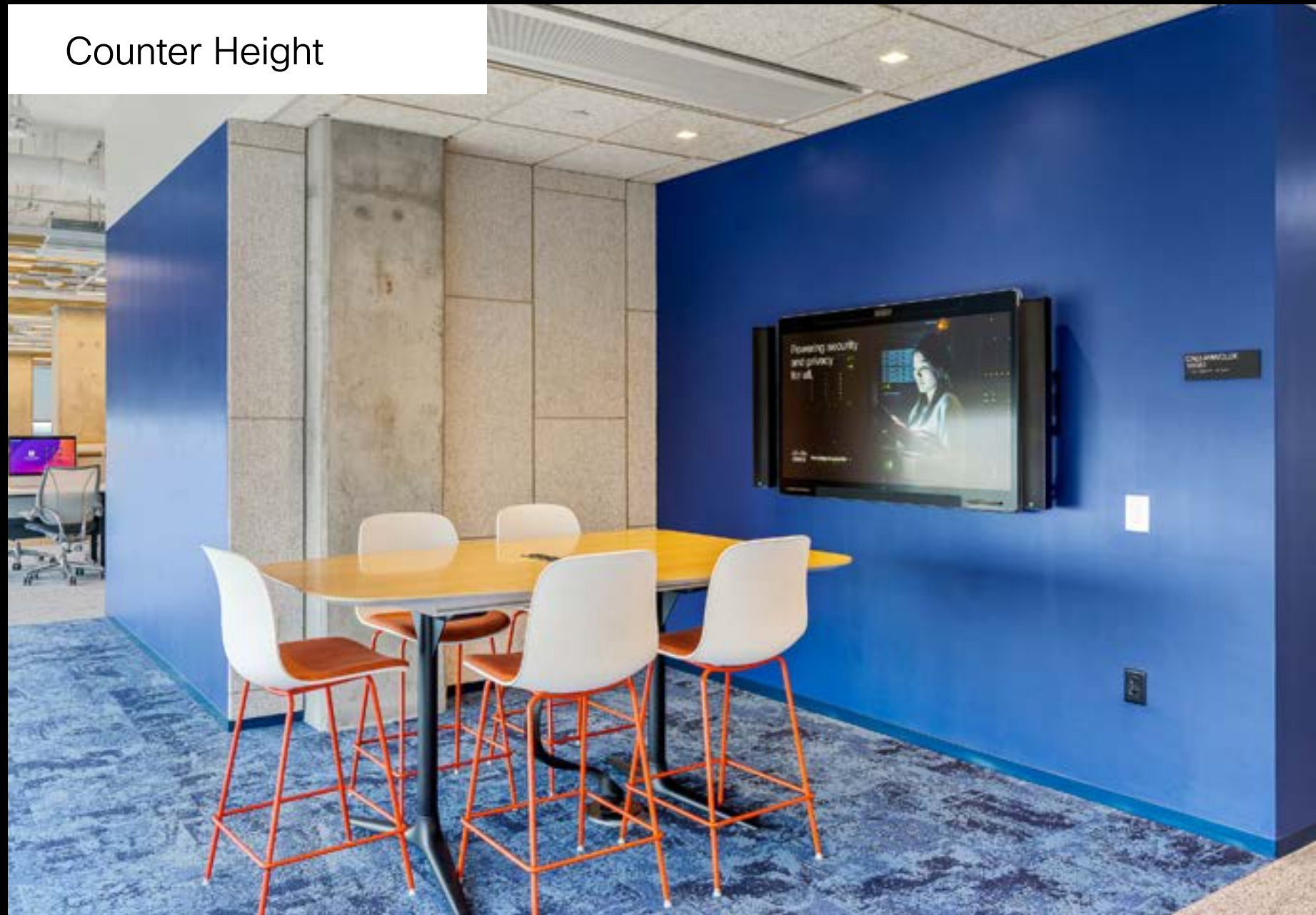
# Small Brainstorming – Open Plan

## Overview



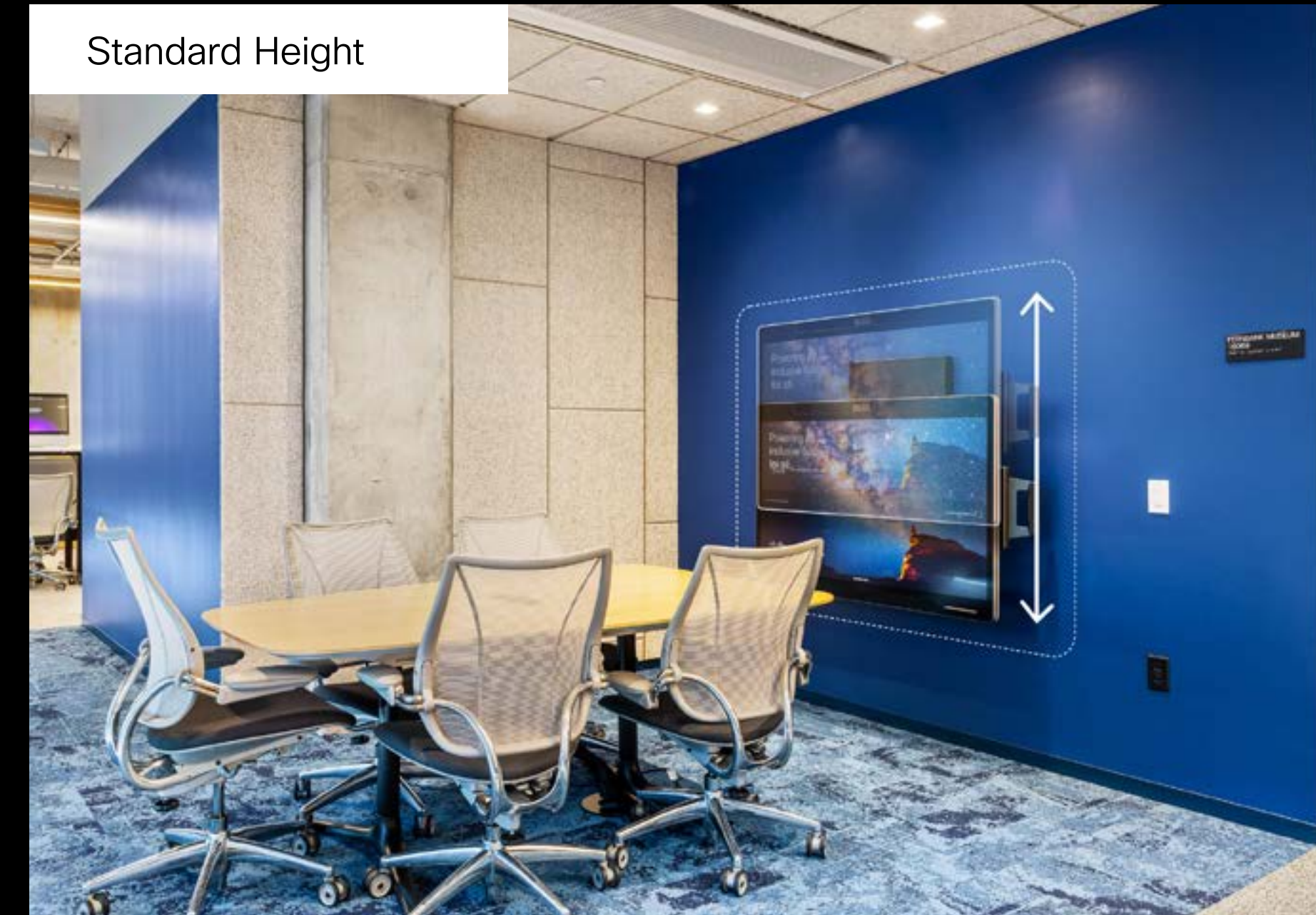
In the hybrid workplace, collaboration needs to be omnipresent, and with that, there needs to be a focus on creating “spaces” (wall rooms) as well as “places” (open areas) for people to work together. In ATL Tech Square, over 20% of the video-enabled collaboration areas can be found in the open plan. Not all collaboration is scheduled – creating opportunities for serendipitous connections is a critical part of Cisco’s strategy to enable hybrid work.

These small brainstorming spaces are enabled with Cisco Board Pro 55, supporting video calling, content sharing, and co-creation/whiteboarding. As with other Cisco Board Pro-enabled rooms, adjustable mounts can be used to allow for the height of the device to be changed when needed. Directional speakers are also used in some cases when co-located in focused work areas to minimize noise leakage.



### Features

- Cisco Board Pro 55 mounted using a Cisco Wall mounting kit
- Renkus-Heinz Directivity Control Series speakers (optional)



### Features

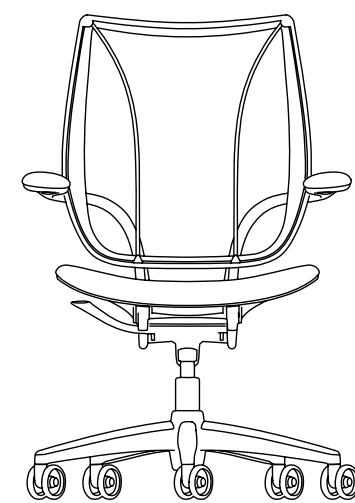
- Cisco Board Pro 55 mounted using a Salamander EZ Lift

# Small Brainstorming - Open Plan

## Components - Standard Height



Humanscale Liberty  
Task Chair



Armrest/Armpad  
Fixed Duron Arms

Frame Color  
Silver with Silver Trim

Back Mesh  
Pinstripe (Color: White)

Seat Textile  
Fourtis (Color: Granite Box Stitching)

Humanscale

Nienkamper Gateway TB-09



Table with Trapezoid Top, (1) simple forum with wood trough-6 ports

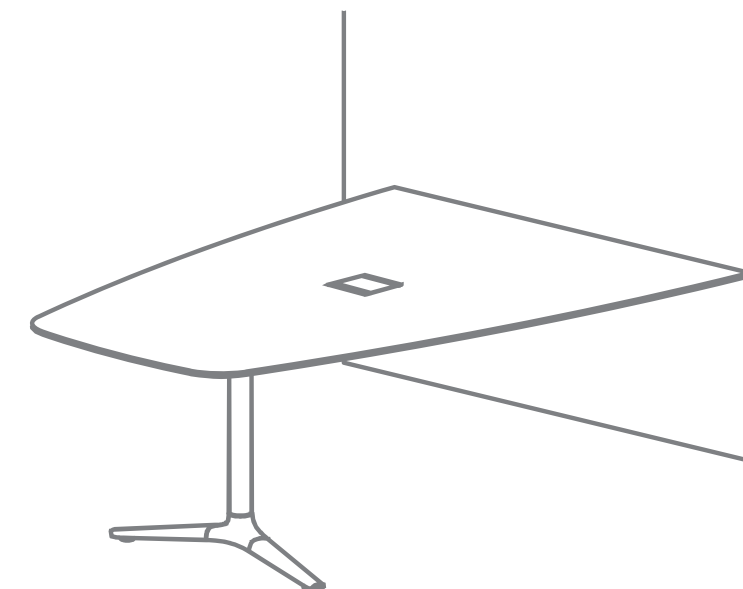
Wood finish top  
#F18 Natural White Oak

Leg finish  
Black

72" W x 28-1/2" H x 32"/55" D  
(1829mm W x 724mm H x 813mm/1397mm D)



Power Forum finish  
Black



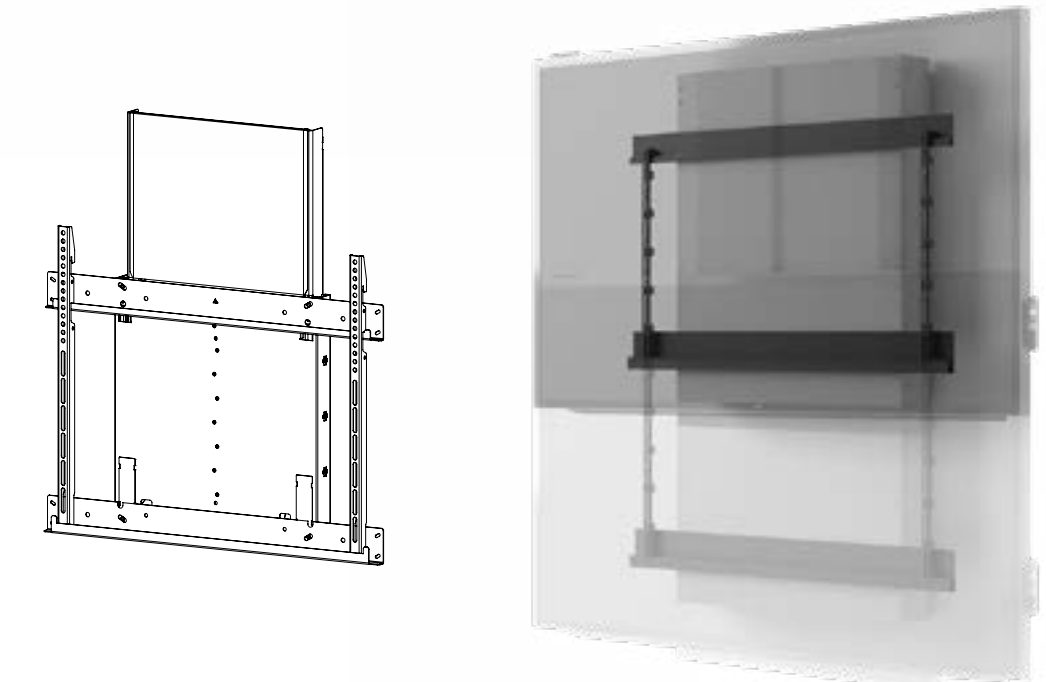
nienkämper

Cisco  
Board  
Pro 55



CISCO

Salamander  
EZTouch Mount



SALAMANDER  
DESIGNS

# Small Brainstorming - Open Plan

## Components - Counter Height



Stylex Verve Counter Stool



Counter height stool, plastic shell and upholstered seat pad, 4-leg metal frame

Fabric: Camira Main Line Flax Victoria

Legs: Navy

Plastic Shell: Milk

19" W x 41" H x 19" D x 26" seat height  
(483mm W x 1041mm H x 483mm D x 660mm seat height)



Nienkamper Gateway TB-09



Table with Trapezoid Top, (1) simple forum with wood trough-6 ports

Wood finish top  
#F18 Natural White Oak

Leg finish  
Black

72" W x 36" H x 32"/55" D  
(1829mm W x 914mm H x 813mm/1397mm D)



Power Forum  
finish Black

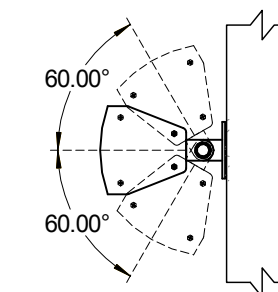


Cisco Board Pro 55

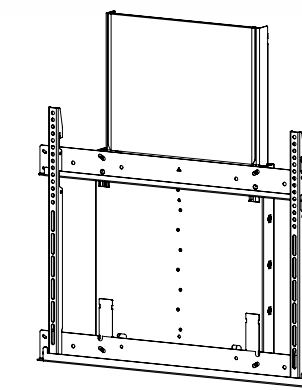


Renkus-Heinz  
Controlled Directivity  
Loudspeaker

Model: DC12/2-BK

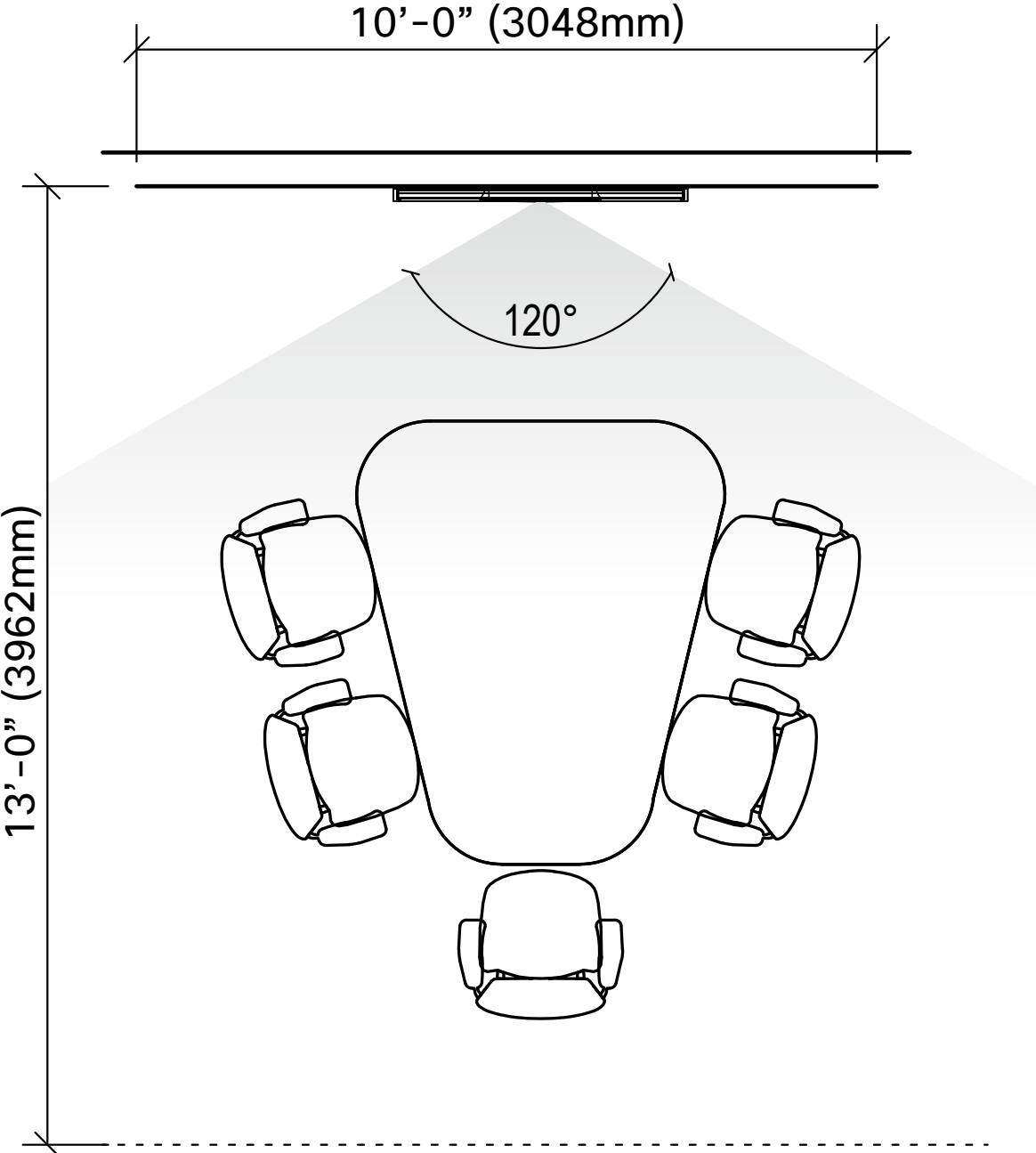


Salamander  
EZTouch Mount



# Small Brainstorming - Open Plan

## Room Layout



Note: Floor plan depicts suggested nominal size.

# Medium Collaboration Room - Dual Display

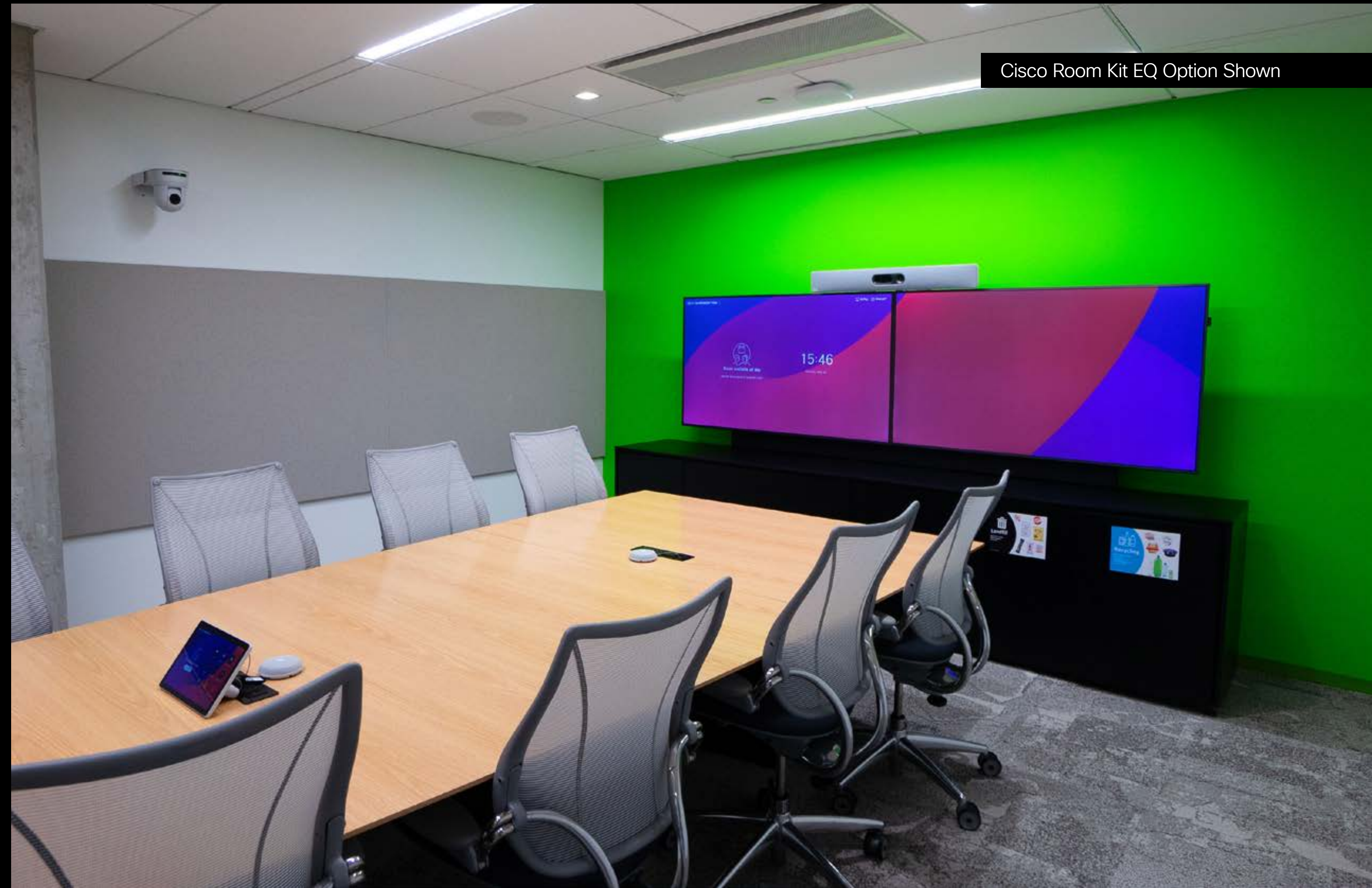
## Overview



The perfect space to bring people together for knowledge sharing or decision making, dual 65" displays allow you to simultaneously see content and remote participants. The trapezoid-shaped table ensures that everyone can be seen. In addition, two (2) Cisco PTZ 4K Cameras and Table Microphone Pros can be added to the Cisco Room Kit EQ option in order to support the Cinematic Meetings Cross View feature.

### Features

- Cisco Room Kit EQ or Cisco Room Bar Pro with dual 65" displays mounted on a Salamander Credenza
- Nienkamper Vox table
- Humanscale Liberty Task chairs
- Side mounted Cisco PTZ 4K Cameras (2) for Cinematic Meetings (optional)
- Cisco Ceiling Microphones or Cisco Table Microphone Pro (optional)
- Third-party 6.5" ceiling speakers and amplifier (optional)



# Medium Collaboration Room - Dual Display

## Components



### Cisco Room Kit EQ



CISCO

### Nienkamper Vox Table TB-15

Table with Trough: Rectangle Shape and Laminate Top  
 Accessible Duo bases to conceal stub-up  
 Laminate top  
 Wilsonart Natural Rift 7954-38, Fine Velvet Finish  
 Base  
 Black  
 120" W x 28-1/2" H x 48" D  
 (3048mm W x 724mm H x 1219mm D)



Two Power modules  
 5 ports  
 Power Forum finish  
 Black



nienkamper

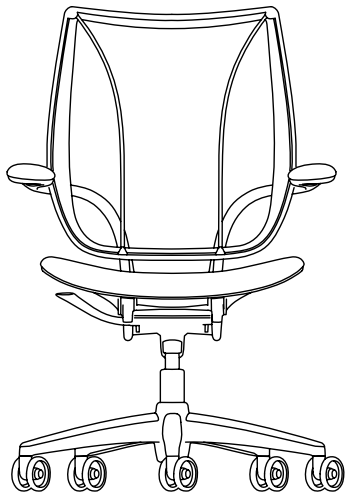
### Dual 65" Displays

(LG, Panasonic, Samsung, or Sony)



LG Panasonic SAMSUNG SONY

### Humanscale Liberty Task Chair



Armrest/Armpad  
 Fixed Duron Arms  
 Frame Color  
 Silver with Silver Trim  
 Back Mesh  
 Pinstripe (Color: White)  
 Seat Textile  
 Fourtis (Color: Granite Box Stitching)

Humanscale

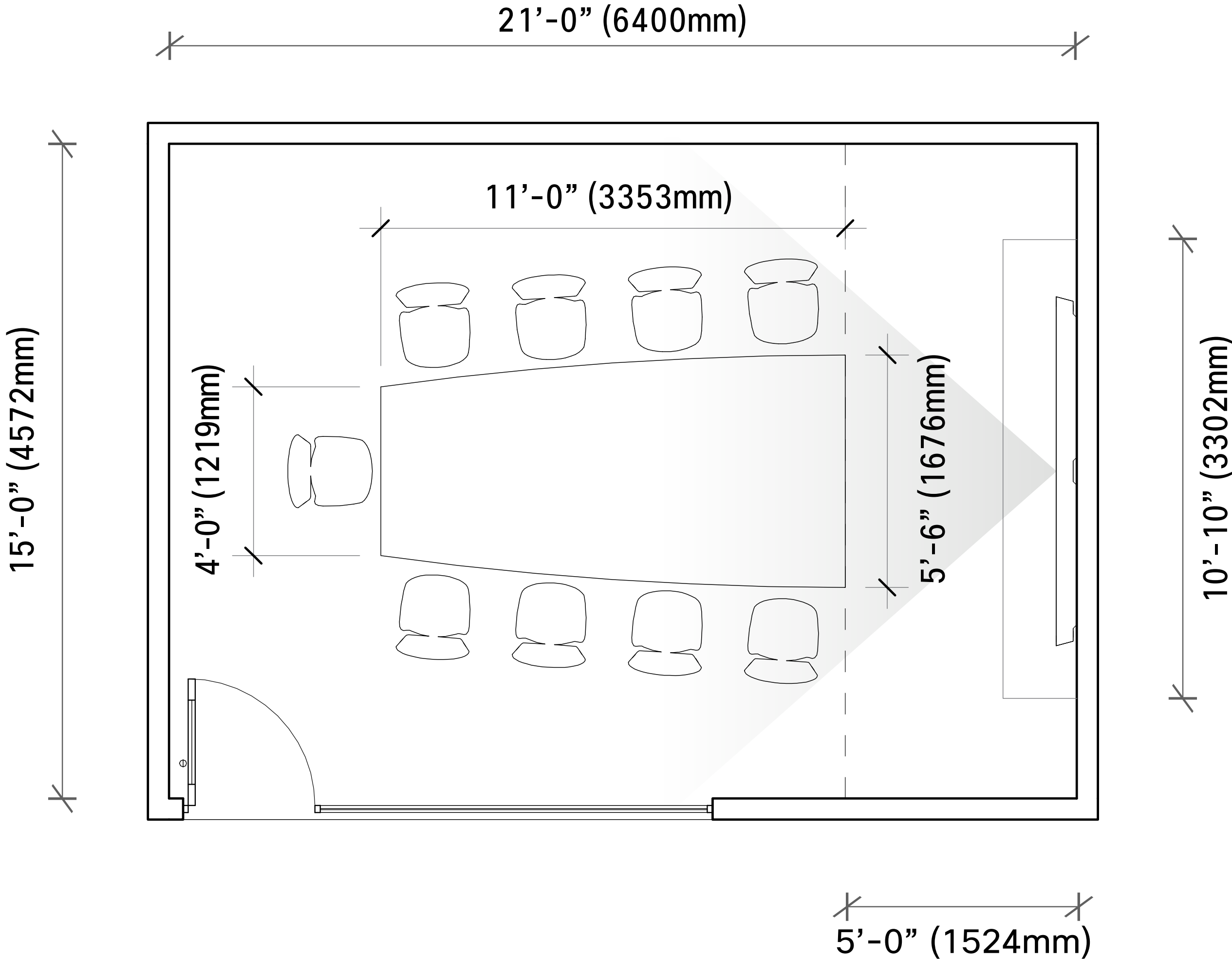
### Salamander Credenza



SALAMANDER  
DESIGNS

# Medium Collaboration Room - Dual Display

## Room Layout



Note: Floor plan depicts suggested nominal size.



# Medium Collaboration Room – Video Centric

## Overview



The video-centric collaboration room is ideal for decision-making meetings. The horizontal table creates the effect of everyone sitting around a table. Dual 65" displays ensure that remote participants, as well as content, can be seen by all.

### Features

- Cisco Room Bar Pro with dual 65" displays mounted on a Salamander Designs Credenza
- Nienkamper Vox table
- Humanscale Freedom Task chairs



# Medium Collaboration Room – Video Centric

## Components



Cisco Room Bar Pro



Nienkamper Vox Table TB-20B

Table with Standing Height & Trough  
Trapezoid Shape  
Laminate top  
Wilsonart-Natural Rift 7954-38, fine velvet finish  
Base and ends  
Black  
108" W x 38" H x 108/96" D  
(2743mm W x 965mm H x 2743/2438mm D)



Dual 65" Displays

(LG, Panasonic, Samsung, or Sony)

CISCO



nienkamper

Humanscale Liberty Task Chair



Armrest/Armpad  
Fixed Duron Arms  
Frame Color  
Silver with Silver Trim  
Back Mesh  
Pinstripe (Color: White)  
Seat Textile  
Fourtis (Color: Granite Box Stitching)

Salamander Credenza

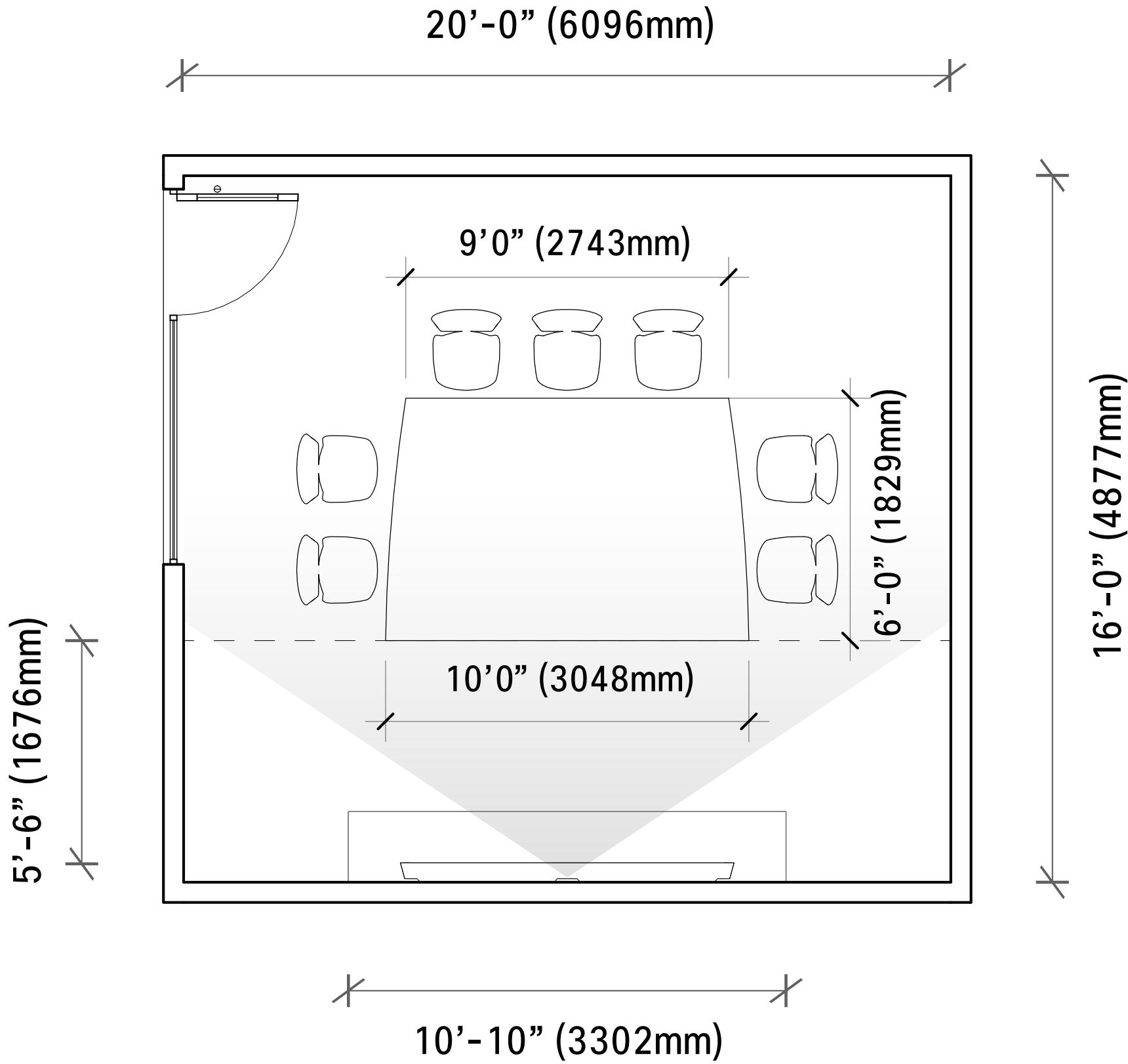


Humanscale



# Medium Collaboration Room – Video Centric

## Room Layout



Note: Floor plan depicts suggested nominal size.

# Medium Brainstorming Space

## Overview



This brainstorming space is built for when larger groups need to ideate. The table orientation and shape ensure everyone can be seen and heard, and the density of the space is gracious, allowing ample space to move within the room. The Cisco Board is multi-functional, enabling video calls, content sharing, and whiteboarding.

### Features

- Cisco Board Pro 75 wall mounted
- Teknion Interpret table
- Boss Ola Chair
- Renkus-Heinz Directivity Control Series speakers (optional)

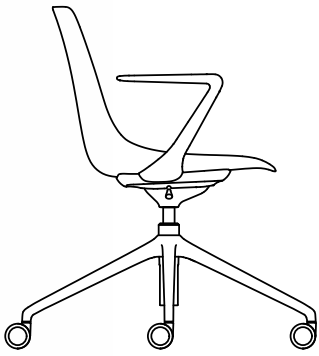


# Medium Brainstorming Space

## Components



**Boss Ola Chair**

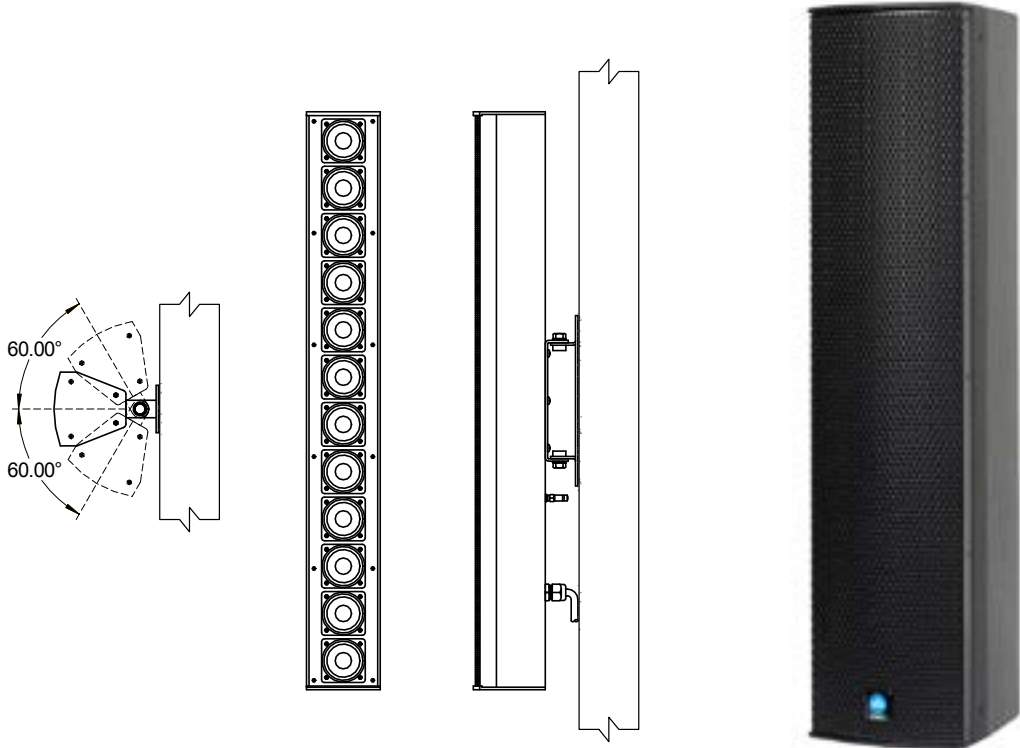


Seat Upholstery  
Camira Main Line Flax  
Base  
Black



**Renkus-Heinz  
Controlled Directivity Loudspeaker**

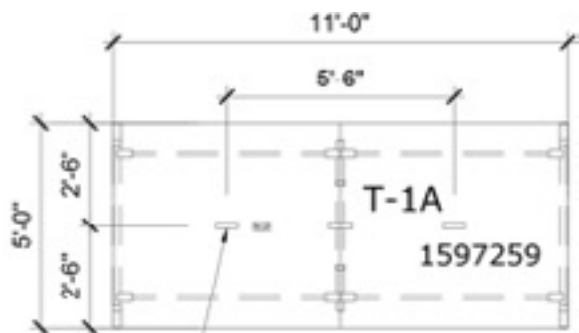
Model: DC12/2-BK



**Cisco Board Pro 75**



**Teknion Interpret Table**



Byrne Dean x 2  
3 Windows  
2 POWER/Dual USB-C

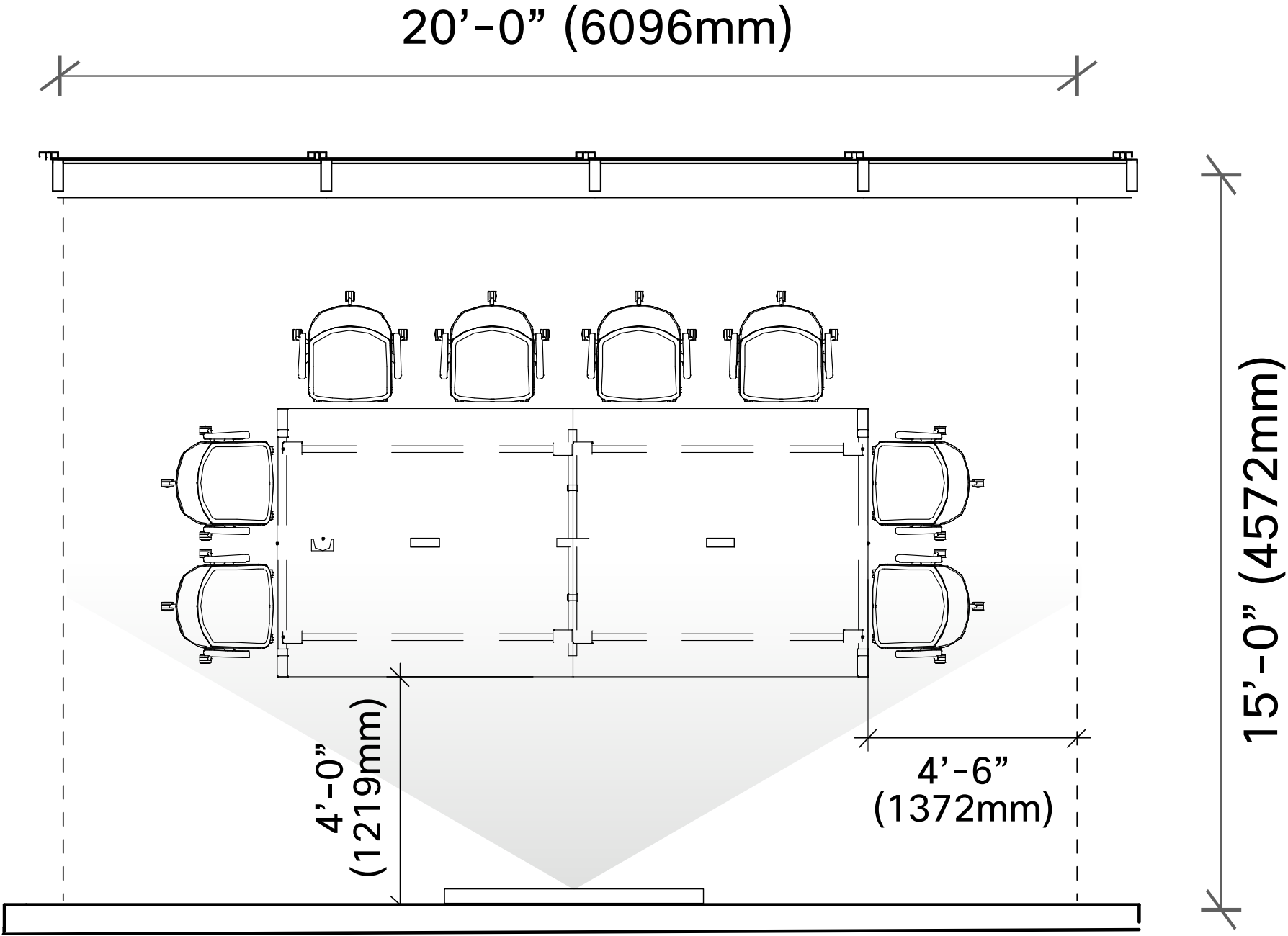


Laminate top, metal frame and angled legs,  
(2) Byrne Dean power modules  
Laminate: Campus Oak  
Metal Frame/Legs: Black  
132" W x 29" H x 60" D  
(3353mm W x 737mm H x 1524 D)



# Medium Brainstorming Space

## Room Layout



Note: Floor plan depicts suggested nominal size.

# Innovation Suite Overview



Innovation Suites are the quintessential space for a team meeting or when colleagues want to get together to share ideas. They can be deployed in an enclosed space or an open plan and come in various sizes and orientations. Regardless of the setting, the mixed seating types and varying postures provide choice.

## Features

- Cisco Board Pro 75
- Kimball Strassa Table
- Stylex Share Sofa
- Stylex Verve Counter Stool
- Hightower Kona Laptop Table
- Renkus-Heinz Directivity Control Series speakers (optional)



# Innovation Suite

## Components



Kimball Strassa Table

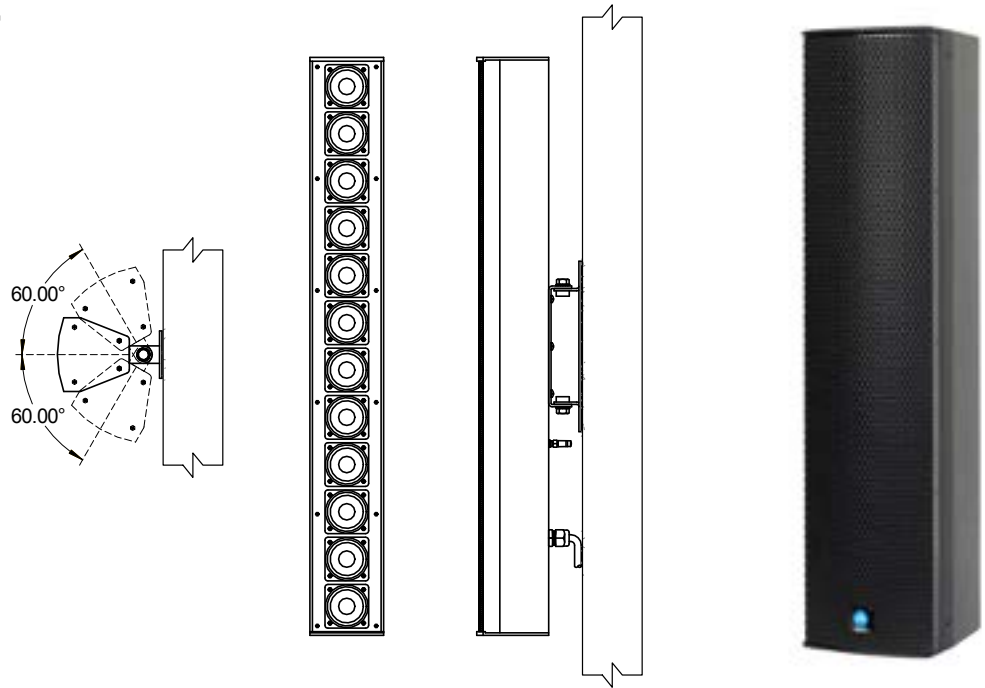


Dimensions:  
84" W x 41" H x 24" D  
(2134mm W x 1041mm H  
x 610mm D)



Renkus-Heinz  
Controlled Directivity  
Loudspeaker

Model: DC12/2-BK



Cisco Board Pro 75



Stylex Share Sofa  
Fully Upholstered 3-seater



Integrated Power Ports  
Fabric: Seat/Back - Maharam Beck Interlude, Arms/Accent Band - Maharam Beck Inkpad  
Legs: White Oak

Stylex Verve Counter Stool



Counter height stool, plastic shell and upholstered seat pad, 4-leg metal frame

Fabric: Camira Main Line Finsburg  
Legs: Forest Green  
Plastic Shell: Milk  
19" W x 41" H x 19" D x 26" seat height  
(483mm W x 1041mm H x 483mm D x 660mm seat height)



Hightower Kona  
Laptop Table  
with Tablet Holder



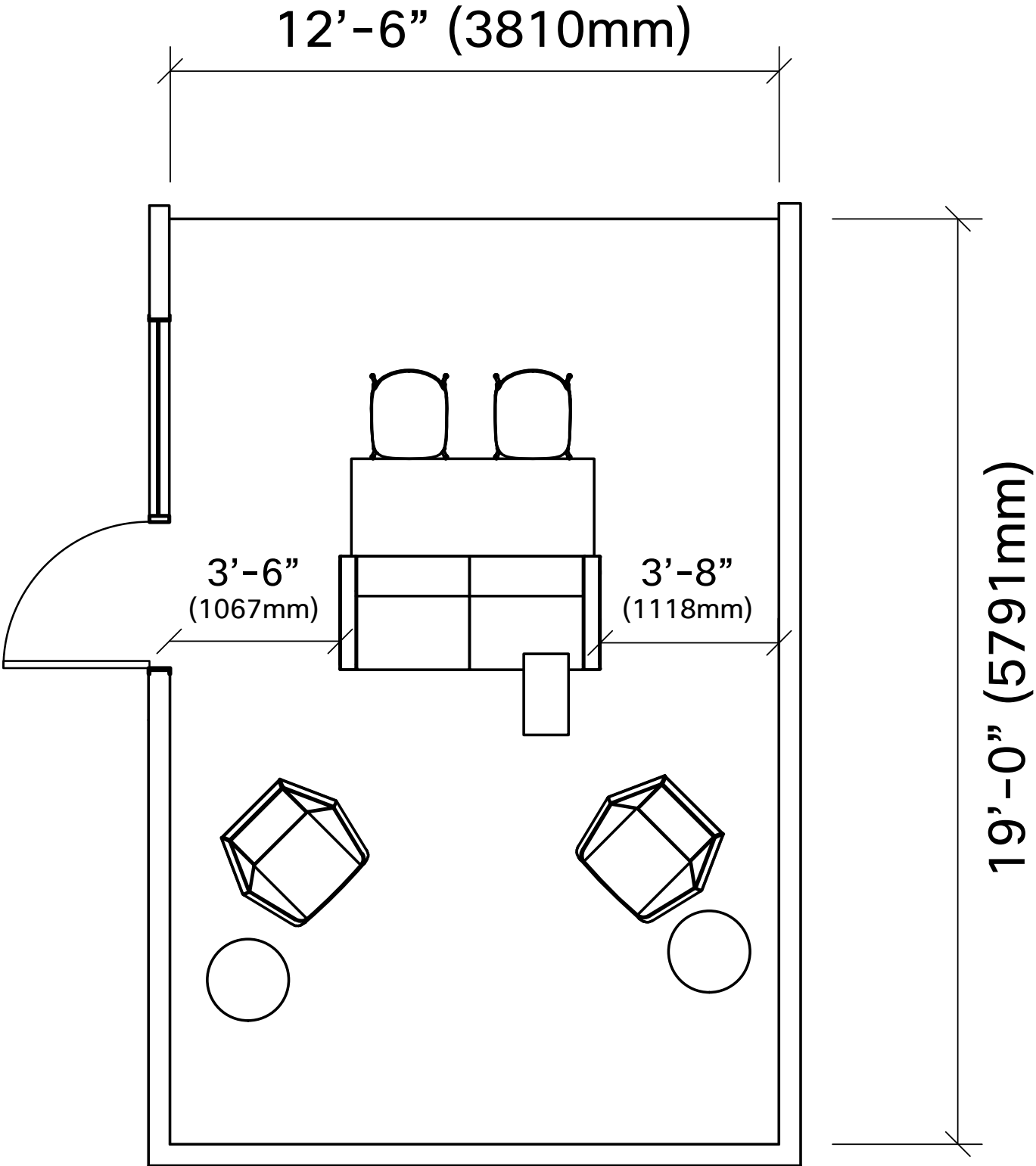
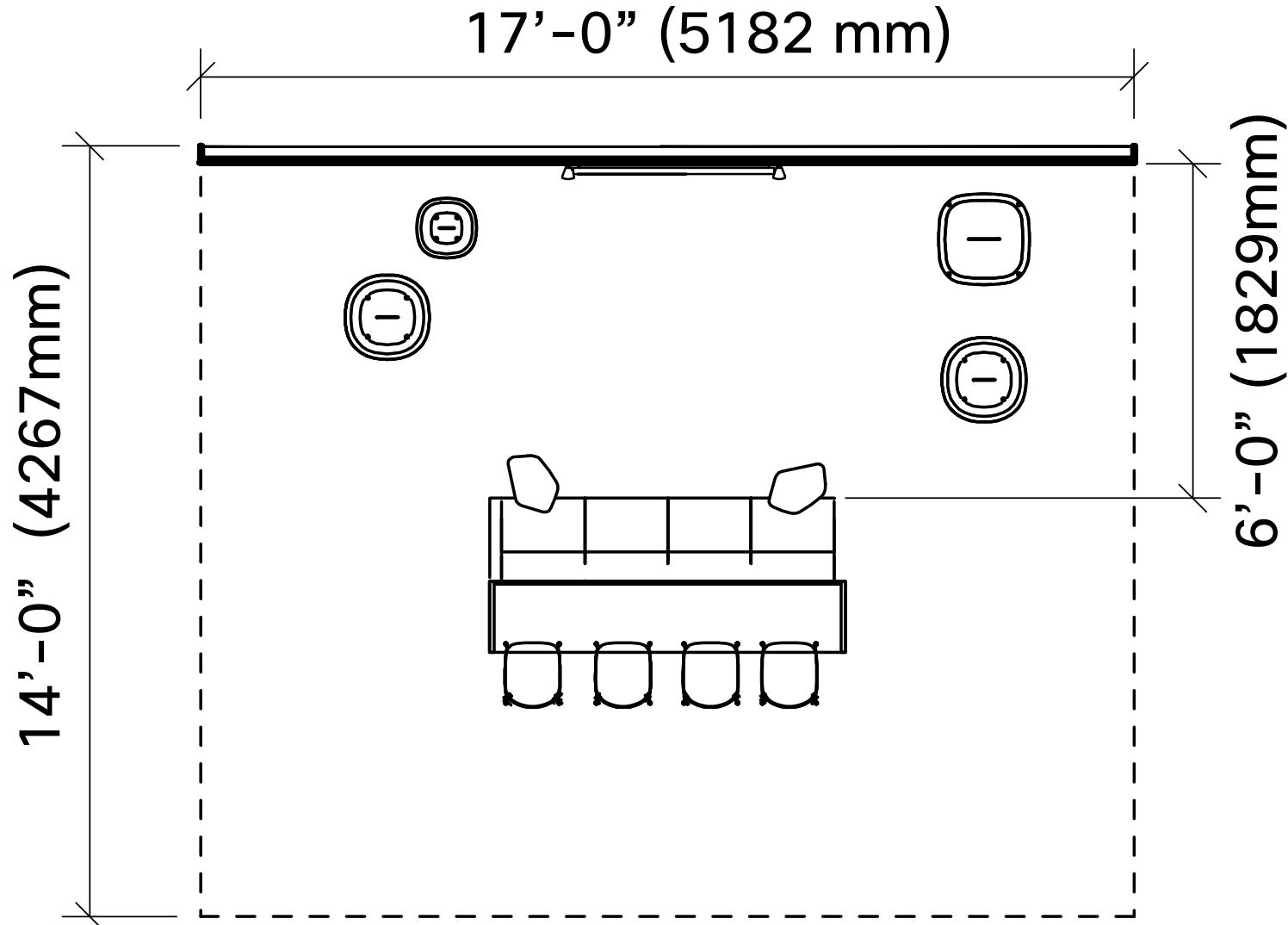
Top: Ash Veneer  
Base: Gray  
21" W x 26" H x 14" D  
(533mm W x 660mm H x 356mm D)





# Innovation Suite

## Room Layout



Note: Floor plan depicts suggested nominal size.

# Large Collaboration Room

## Overview

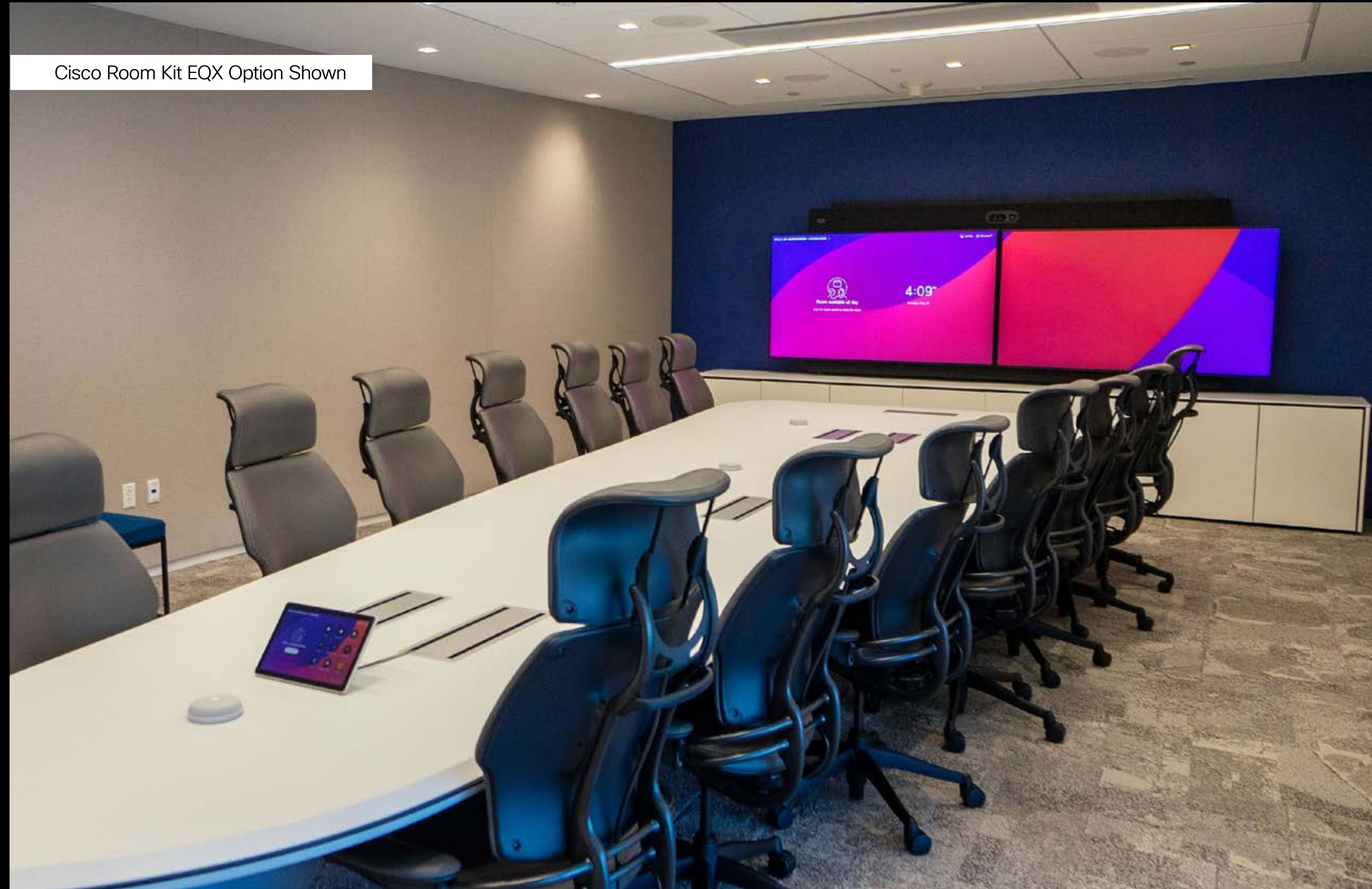


A collaboration space specifically designed for large groups, dual screens allow in-person attendees to see both remote participants and content, and the tapered table shape ensure remote participants can see everyone in the room. The rear-mounted Cisco TelePresence Precision 60 Camera automatically captures presenters as they move in the front of the room. The optional Cisco Board Pro, operating in companion mode, allows co-creation capabilities to be brought into a video meeting.

### Features

- Cisco Room Kit EQX or Cisco Room Kit EQ with 75" displays (LG, Panasonic, Samsung, or Sony)
- Cisco Ceiling Microphones or Cisco Table Microphone Pro
- Rear-mounted Cisco PTZ 4K Camera
- Third-party 6.5" ceiling speakers & amplifier (for Room Kit EQ option only)
- Wall Mounted Cisco Board Pro 75
- Nienkamper Vox Conference Table
- Humanscale Freedom Task Chairs with headrests

Cisco Room Kit EQX Option Shown



# Large Collaboration Room

## Components – Cisco Room Kit EQX Option



Cisco Room Kit EQX



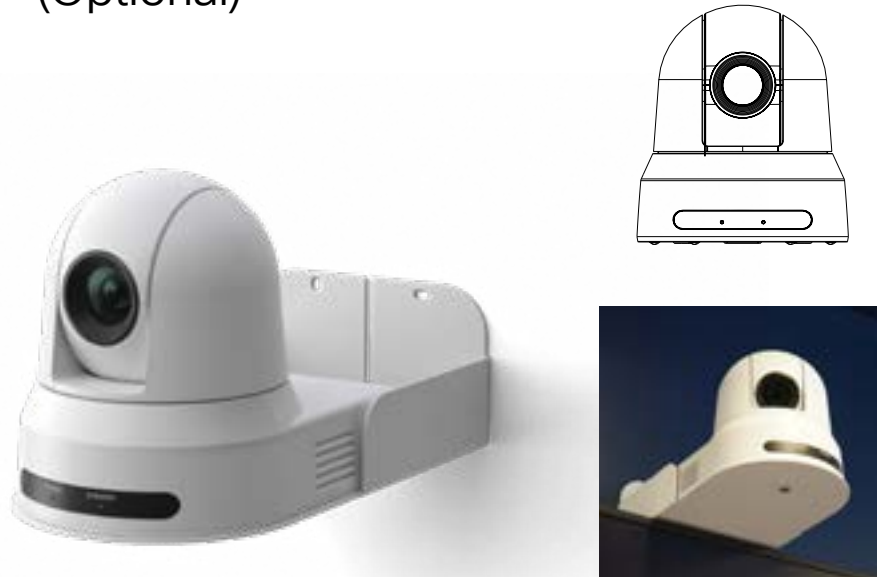
Cisco Board Pro 75



Cisco Table Microphone Pro



Cisco PTZ 4K Camera  
(Optional)



CISCO

Dual 75” Displays

(LG, Panasonic, Samsung, or Sony)



LG Panasonic SAMSUNG SONY



Humanscale  
Freedom Task Chair  
with Headrest

Armrest/Armpad  
Advanced Duron Arms with Textile  
Frame Color  
Graphite  
Seat Textile  
Ticino Charcoal with light Grey Stitch

Humanscale

Nienkamper Vox Conference Table



Vox Conference Table with Trough Vista (Closed) Shape  
Wood finish top: #F18 Natural White Oak  
Base and Ends: Black  
120” W x 28-1/2” H x 66/48” D (3048mm W x 724mm H x 1676/1219mm D)



Power Forum finish  
Anodized Aluminum/Black

nienkamper

# Large Collaboration Room

## Components – Cisco Room Kit EQ Option



Cisco Room Kit EQ  
& Quad Camera



Cisco Board Pro 75



Cisco Ceiling Microphones



Cisco Table Microphone Pro



Third-Party  
Ceiling Speakers  
(Plus Amplifier)



CISCO

Dual 75” Displays

(LG, Panasonic, Samsung, or Sony)



Humanscale  
Freedom Task Chair  
with Headrest

- Armrest/Armpad  
Advanced Duron Arms with Textile
- Frame Color  
Graphite
- Seat Textile  
Ticino Charcoal with light Grey Stitch

Humanscale

Nienkamper Vox Conference Table



Vox Conference Table with Trough Vista (Closed) Shape  
Wood finish top: #F18 Natural White Oak  
Base and Ends: Black  
120" W x 28-1/2" H x 66/48" D (3048mm W x 724mm H x 1676/1219mm D)

nienkämper

Cisco PTZ 4K Camera  
(Optional)



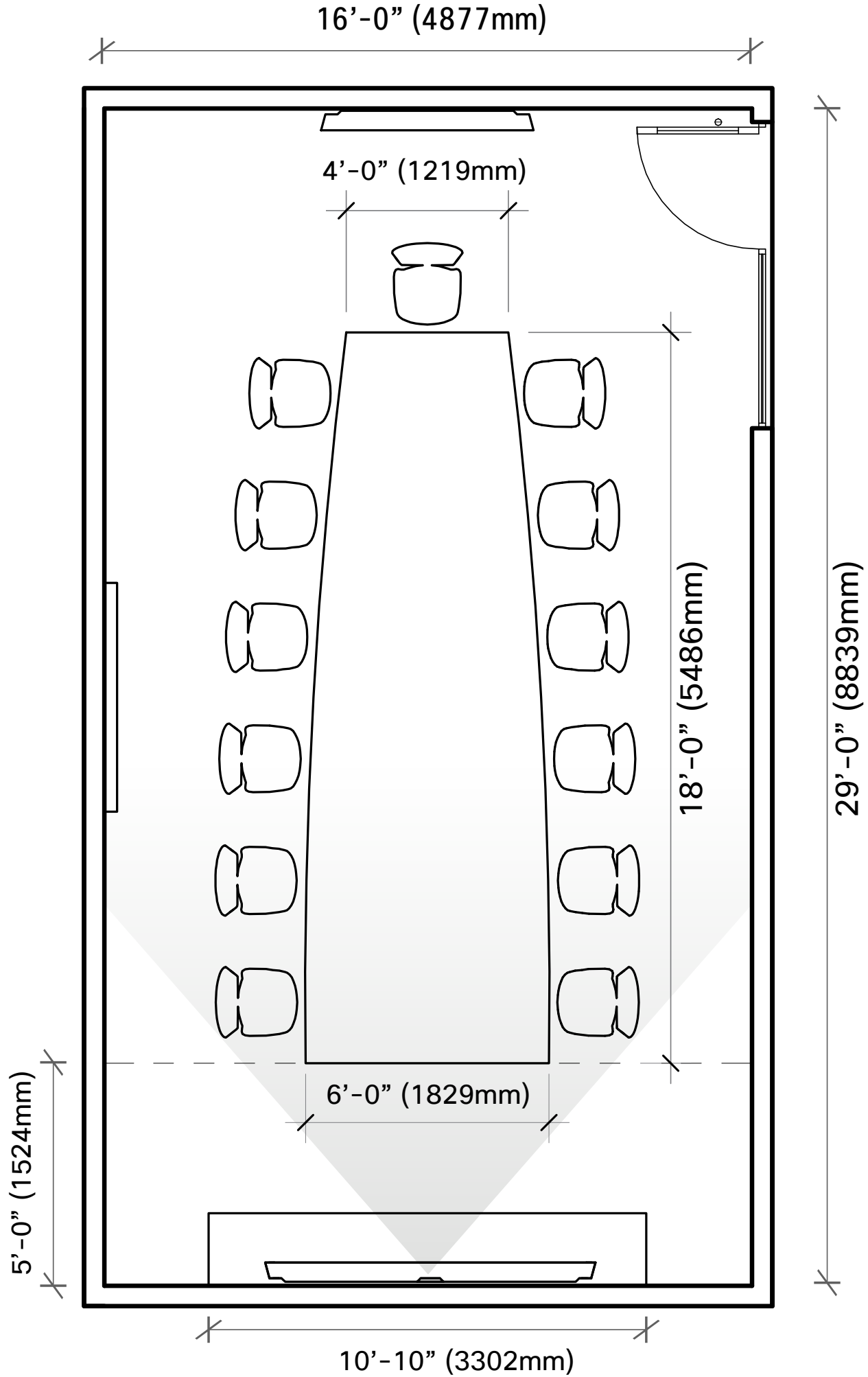
CISCO

# Large Collaboration Room

## Room Layout



Cisco Room Kit EQ Option Shown



Note: Suggested minimal dimensions would preferably be 29'-0" x 19'-0"

# Training Room

## Overview



Designed for delivering true hybrid learning events, this training room leverages two large displays, multiple cameras, and a Cisco Device feature called “Classroom Mode” to provide an unparalleled experience to all participants.

The solution supports multiple learning scenarios, including local presenter, remote presenter, and discussion mode. In the meeting, whiteboarding and annotation are supported by the Cisco Board Pro operating in Companion Mode.

### Features

- Cisco Room Kit Pro with Dual 98” Displays (LG, Panasonic, Samsung, or Sony)
- Cisco Ceiling Microphones
- Rear mounted Cisco PTZ 4K Camera
- Rear mounted 65” display
- Third-party 6.5” ceiling speakers and amplifier
- Wall mounted Cisco Board Pro 75
- Teknion Expansion Training tables
- National Jiminy Flip Nesting chairs



# Training Room Components



Kimball Jiminy Flip Nesting chair

Kimball International

Cisco Board Pro 75



Cisco Room Kit Codec Pro



Dual 98" Displays



(LG, Panasonic, Samsung, or Sony)

CISCO

LG Panasonic SAMSUNG SONY

Teknion Expansion Training table

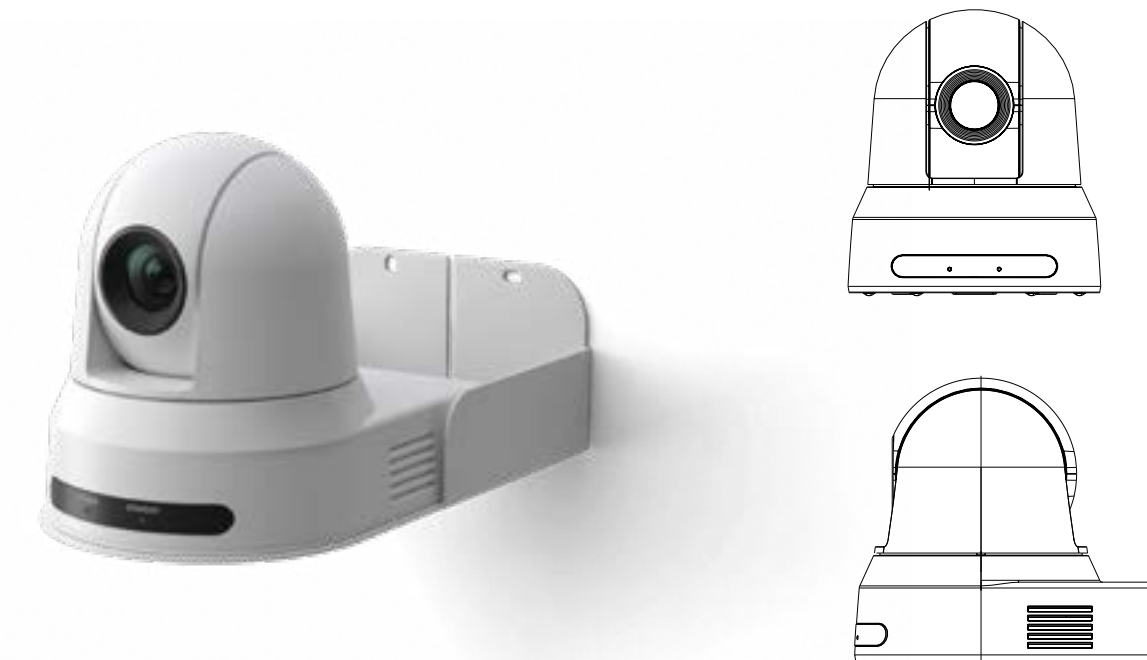


teknion

Cisco Ceiling Microphones



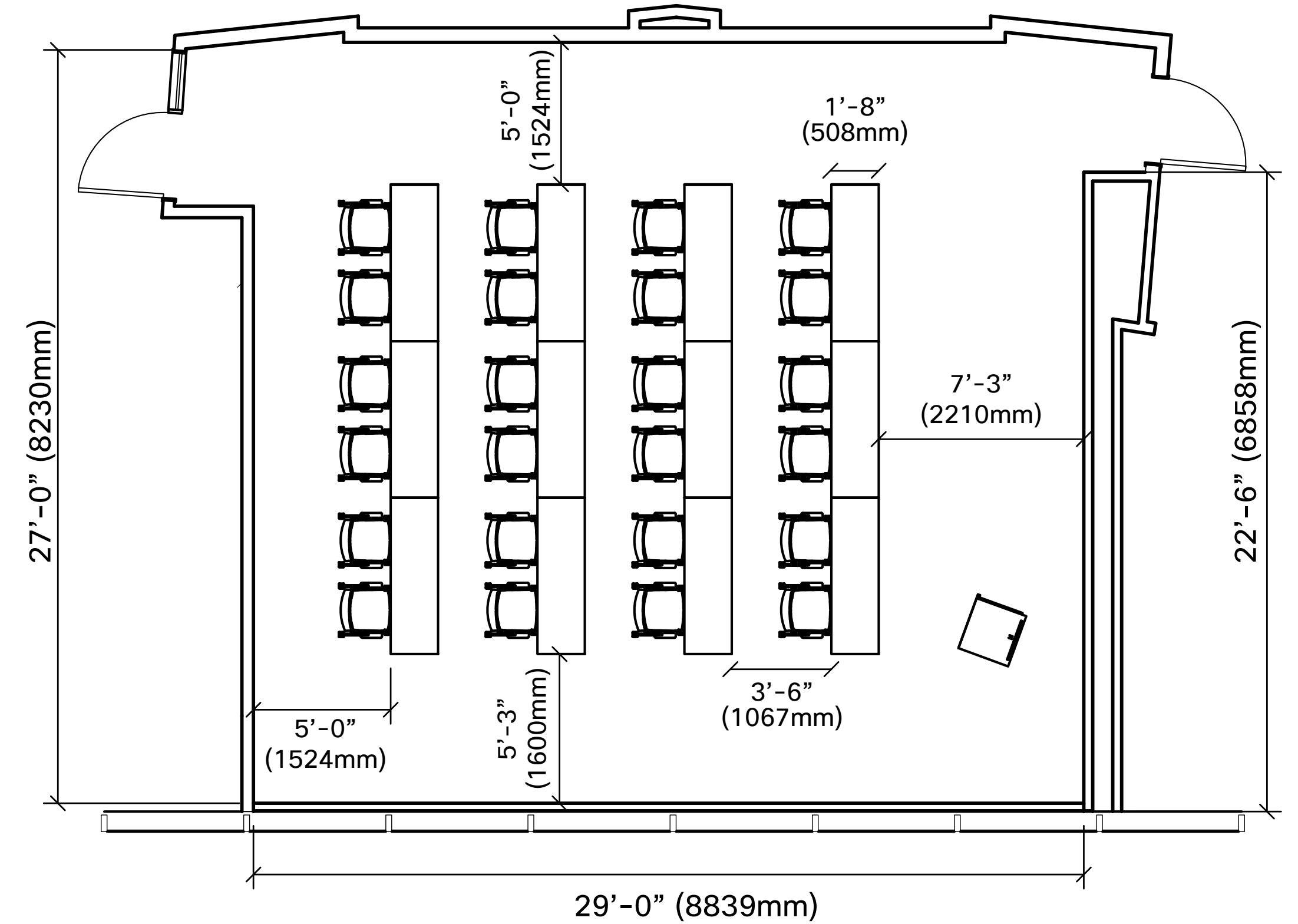
Cisco PTZ 4K Camera



CISCO

# Training Room

## Room Layout



Note: Floor plan depicts suggested nominal size.



# Seminar Overview



Ideal for seminars and training events, these spaces accommodate various group sizes. This design's tiered seating and generously sized dual displays ensure an unobstructed view for all attendees. Both front and rear-mounted cameras, powered by Cisco Room Kit Pro, work in unison to provide an amazing experience for those attending in-person and remotely. The optional Cisco Board Pro 75 further enhances the experience by enabling integrated co-creation and whiteboarding.

## Features

- Cisco Room Kit Pro with dual 98" displays (LG, Samsung, Panasonic or Sony)
- Cisco Ceiling Microphones
- Rear mounted Cisco PTZ 4K Camera
- Third-party 6.5" ceiling speakers and amplifier
- Cisco Board Pro 75 on a Salamander XL Electric Lift Mobile Display Stand
- Stylex Verve Counter Stool
- Stylex Share Sofa
- Hightower Kona Laptop Table
- Teknion Thesis Lectern Podium



# Seminar

## Components - Technology



Cisco Room Kit Pro



Cisco Board Pro 75



Dual 98" Displays



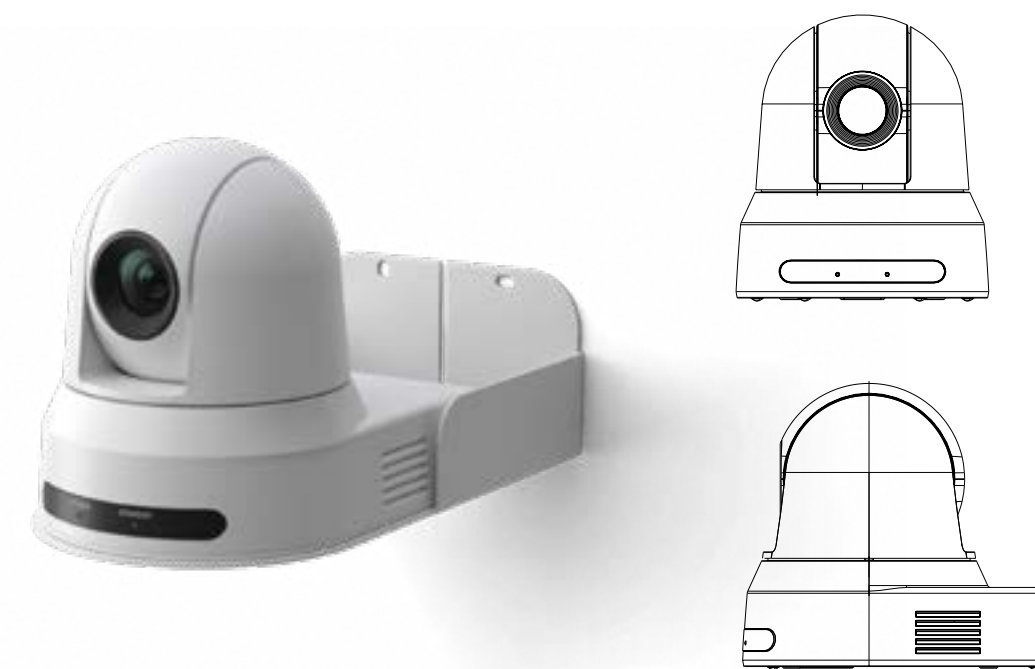
(LG, Panasonic, Samsung, or Sony)



Cisco Ceiling Microphones



Cisco PTZ 4K Camera



# Seminar

## Components - Furniture



### Stylex Verve Counter Stool



Counter height stool, plastic shell and upholstered seat pad, 4-leg metal frame

Fabric: Camira Main Line Finsburg

Legs: Forest Green

Plastic Shell: Milk

19" W x 41" H x 19" D x 26" seat height  
(483mm W x 1041mm H x 483mm D x 660mm seat height)

### Salamander Designs Electric Lift Mobile Stand



Dimensions:  
58.44" W x 50.41 - 76" H x 32.5" D  
(1484.3 mm W x 1280.3 - 1930.3mm H  
x 825.5mm D)



### Hightower Kona Laptop Table with Tablet Holder



Top: Ash Veneer

Base: Gray

21" W x 26" H x 14" D  
(533mm W x 660mm H x 356mm D)

Hightower

### Stylex Share Sofa Fully Upholstered



(2) Integrated Power Ports,

Fabric: Seat/Back - Maharam Beck Interlude,  
Arms/Accent Band - Maharam Beck Inkpad

Legs: White Oak

STYLEX

### Teknion Thesis Lectern Podium



Mobile Lectern with Storage, Casters and power/data

Laminates: Campus Oak (case) and Very White (front)

22" W x 46" H x 27" D  
(635mm W x 1168mm H x 686mm D)

teknion

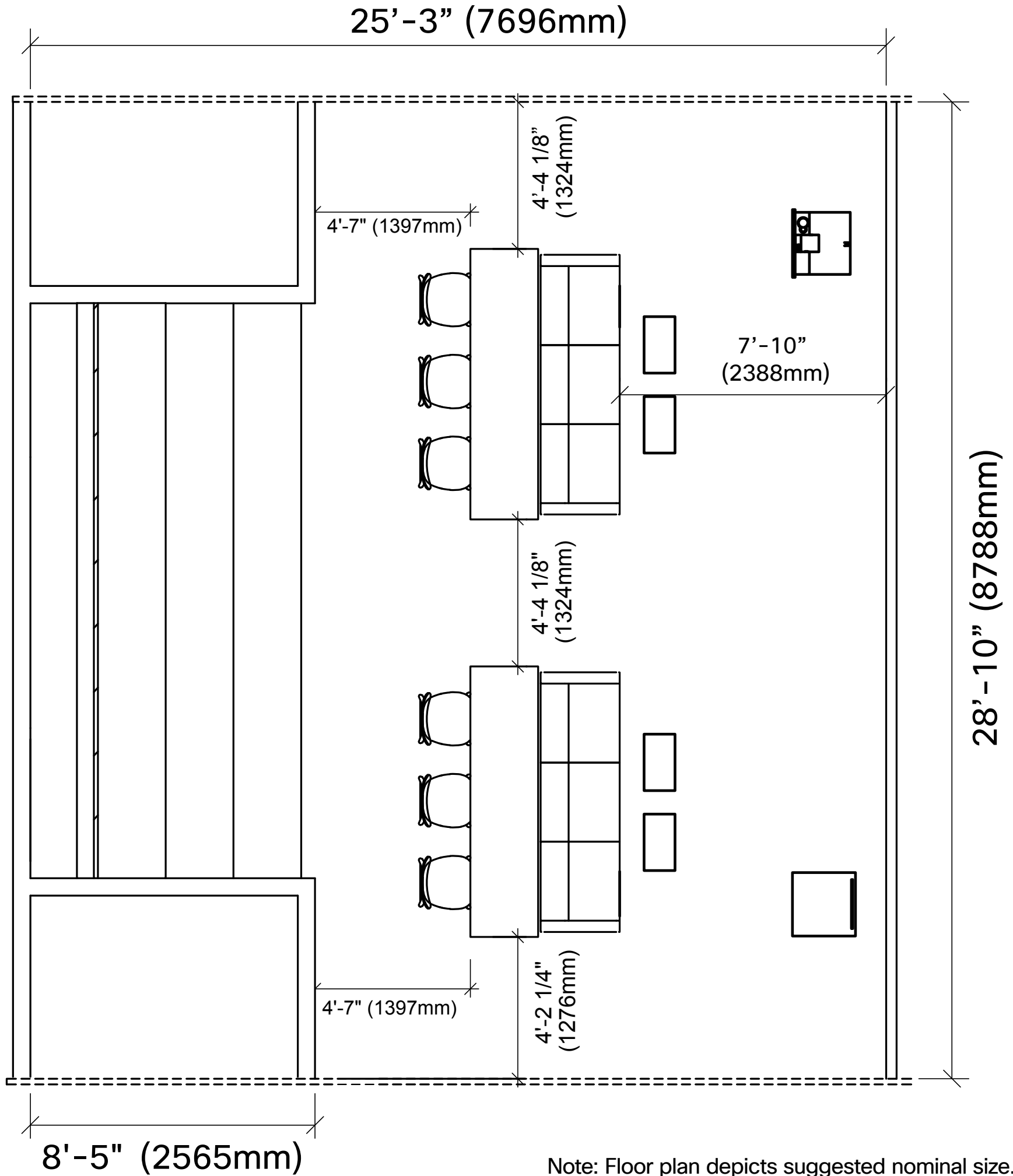
### Kimball Strassa Table



Dimensions:  
84" W x 41" H x 24" D  
(2134mm W x 1041mm H  
x 610mm D)

Kimball International

# Seminar Room Layout



Note: Floor plan depicts suggested nominal size.



## Resources

[Cisco.com](#)

[Cisco Workspaces](#)

[Best Practices for Creating Effective Video-enabled Rooms](#)

© 2024 Cisco and/or its affiliates. All rights reserved. Cisco, the Cisco logo, Webex by Cisco, and Webex are trademarks or registered trademarks of Cisco and/or its affiliates in the U.S. and other countries. To view a list of Cisco trademarks, see the Trademarks page on the Cisco website. Third-party trademarks mentioned are the property of their respective owners. The use of the word “partner” does not imply a partnership relationship between Cisco and any other company. (2106R)

The intent of this document is to highlight the details, components and partners used in the creation of ATL Tech Square. Any reference herein to any specific commercial products or service does not necessarily constitute or imply its endorsement or recommendation.