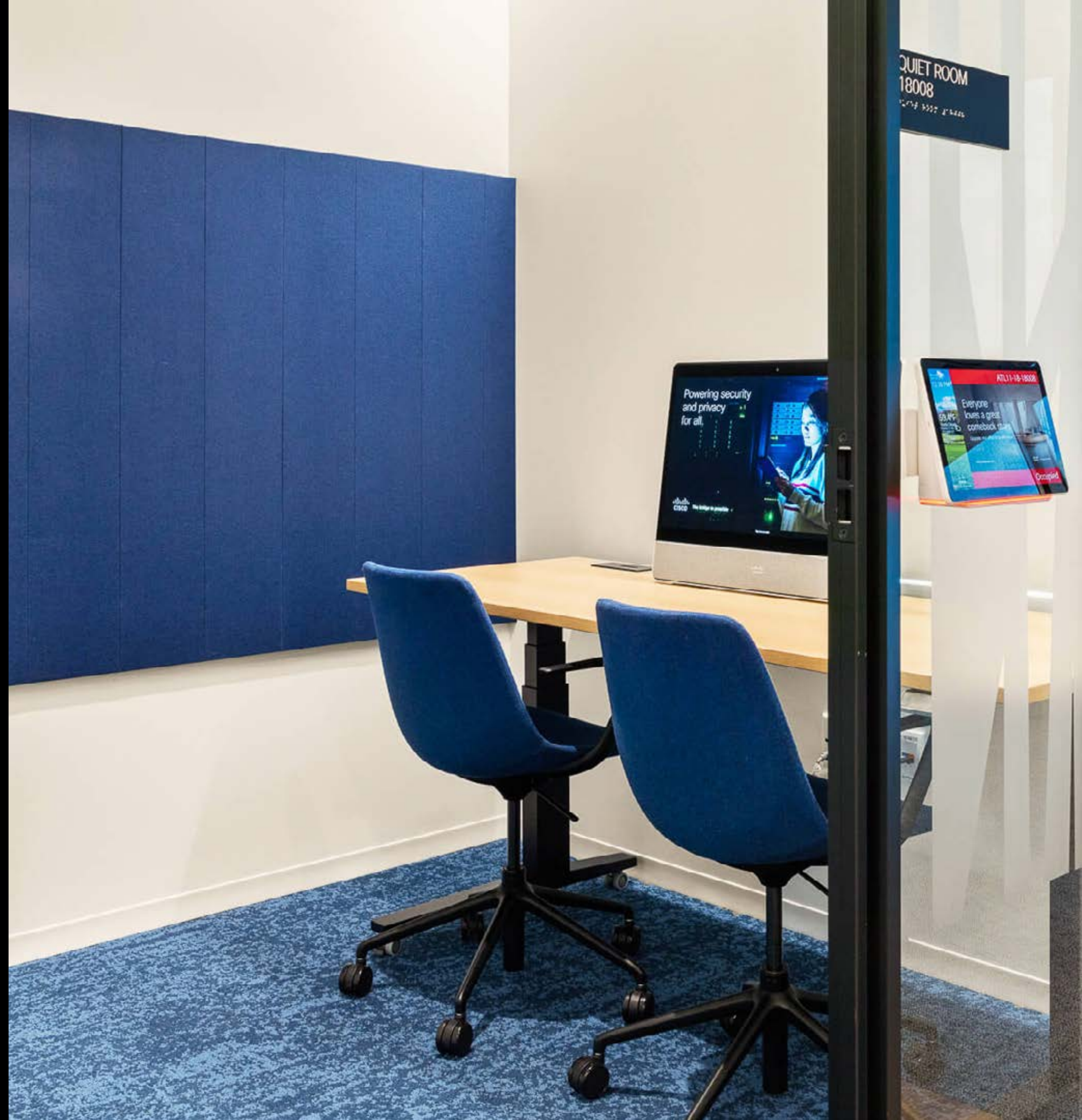




Smart Building Technology  
and Hybrid Work Solutions

# Cisco Talent and Collaboration Centers

Quiet Room (1 and 2 Person) Design Guide





# Introduction

## Overview and Intent

This document provides guidance on how to effectively design a one and two-person Quiet Room.

This design brings space layout, technology, and furnishings together to create an optimal experience for those present locally and for remote attendees.

Each customer project is unique. Thus, it is important to involve local facilities teams, workplace design resources, architects and space designers, IT, and a Cisco-certified integrator. The collective goal is to finalize the details of any design, verify the applicability and address any local concerns – electrical/mechanical, orientation and location of the room within the floor plan, accessibility, circulation, and external factors such as noise, light, and temperature.

## Room Description

The one and two-person Quiet Rooms are the perfect space when you need privacy to take a video call, carry out focused work, collaborate with another individual, or simply need a bit more screen space to get your job done.

### Supported Collaboration Activities

Information Sharing	✓
Brainstorming	✓
Team Building	
Decision Making	✓

## Table of Contents

- ▶ Introduction 2
- ▶ Visualization of key Cisco elements 3
- ▶ Composite Plans 4
- ▶ Room Layout 5
- ▶ Design Considerations 6
- ▶ Reflective Ceiling Plan 7
- ▶ Room Elevations 8
- ▶ Acoustical Treatment 9
- ▶ Exploded IT Diagram 10
- ▶ Connectivity View 11
- ▶ IT/OT Reference Architectures 12
- ▶ IT/OT Bill of Material 13
- ▶ Commissioning–User Acceptance Testing 14
- ▶ Design Files & Resources 15

# Visualization of key Cisco elements



Cisco Desk  
1 Person



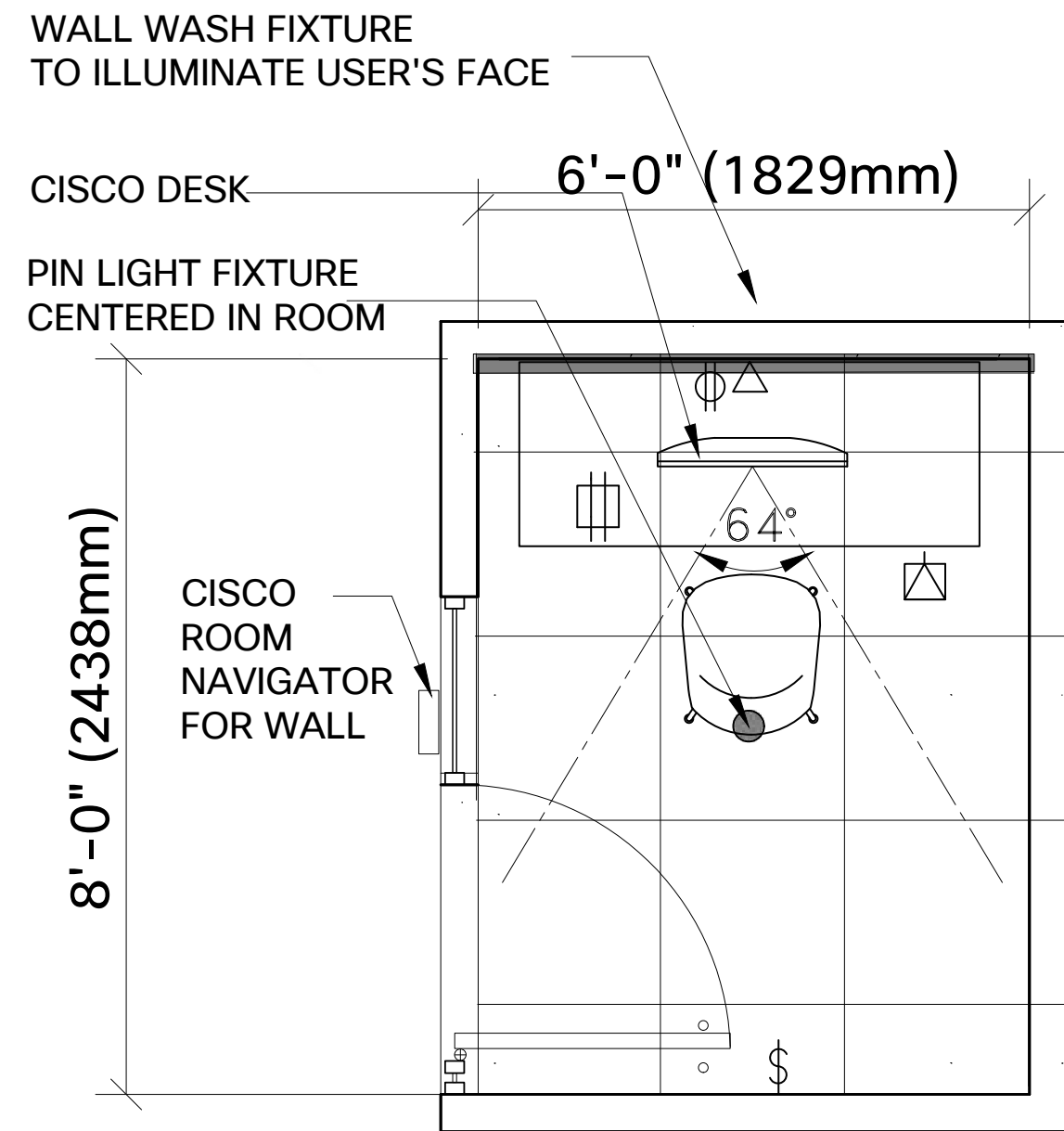
Cisco Deskpro  
2 Person



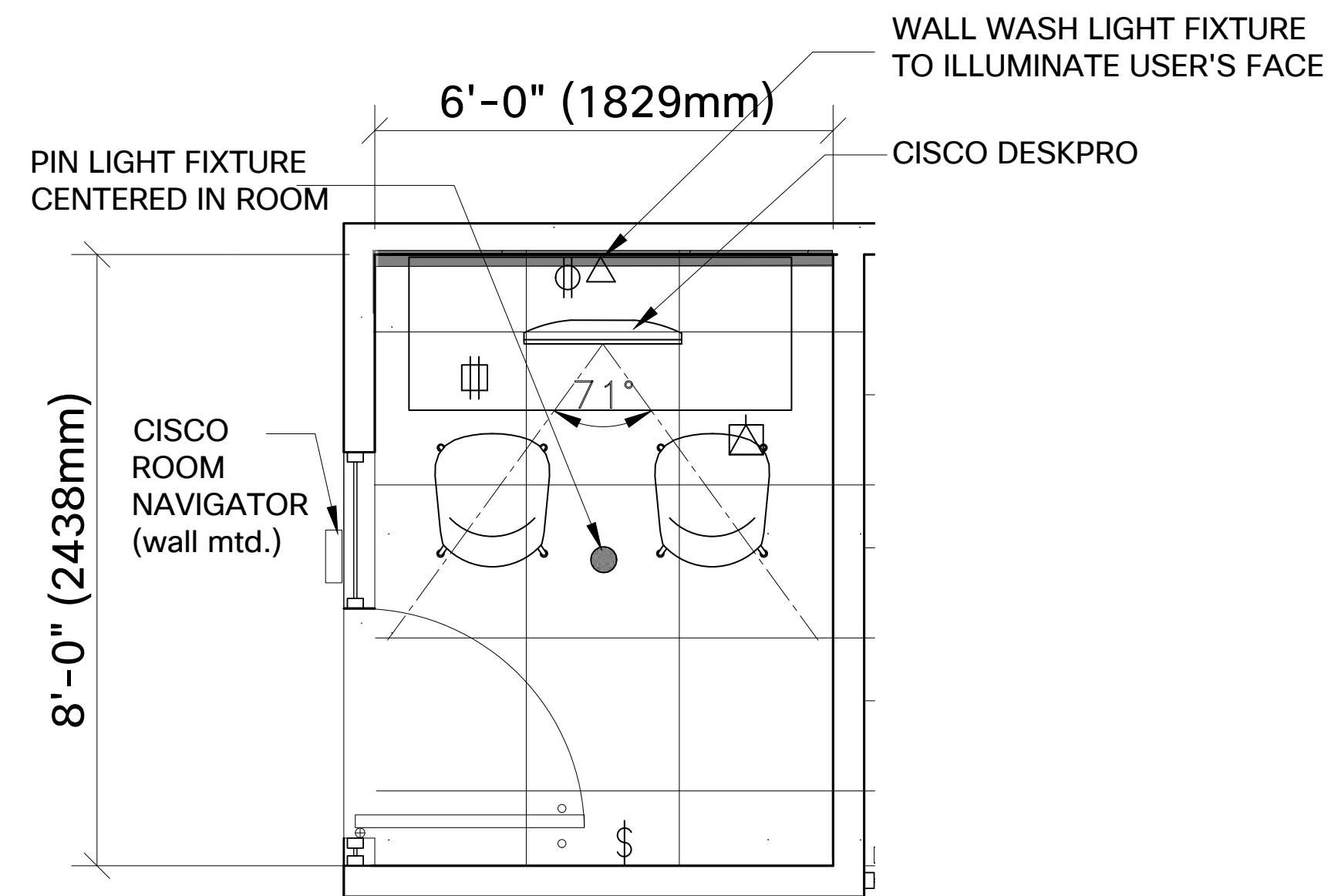
Cisco Room Navigator  
for Wall

# Composite Plans

## 1 Person



## 2 Person



## Graphics Symbols

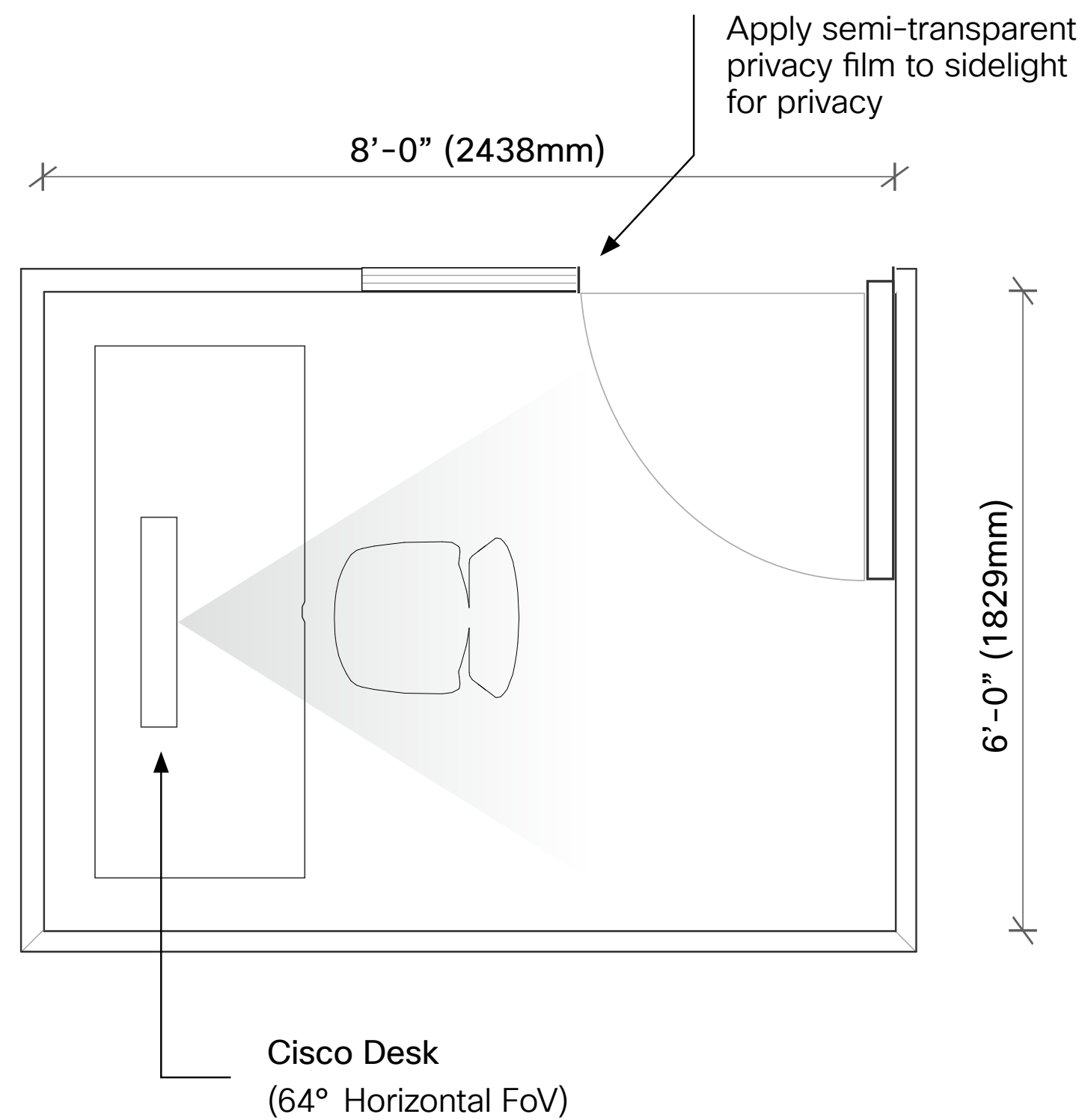
<p>ACOUSTICAL CEILING AND GRID</p>	<p>LIGHT FIXTURES</p> <p>LIGHT FIXTURES</p>	<p>FURNITURE SYSTEMS MOUNTED DEVICES</p> <p> DUPLEX RECEPTACLE</p> <p> DATA RECEPTACLE</p>	<p>POWER AND COMMUNICATION</p> <p>WALL MOUNTED DEVICES</p> <p> DUPLEX RECEPTACLE    DATA RECEPTACLE    LIGHT SWITCH</p>	<p><b>NOTE:</b> PROVIDE SOLID BLOCKING IN WALLS FOR ALL WALL MOUNTED EQUIPMENT &amp; DEVICES</p>
------------------------------------	---	--	---	--

# Room Layout

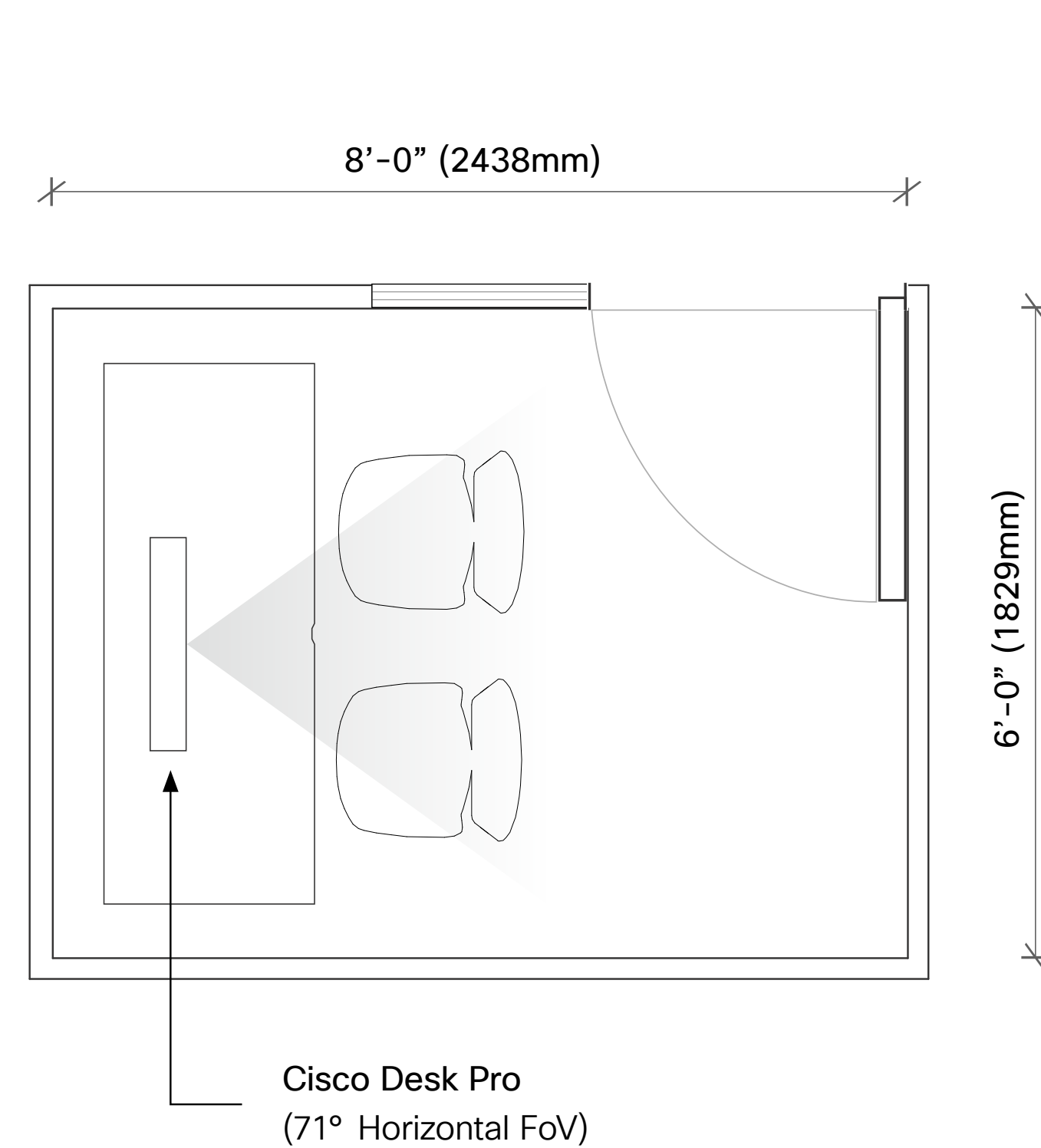
**i**

Optimal size is nominal 8'x6' (2438mm x 1829mm), with a 5' (1524mm) table, 1 person room can go to 7'x5' (2134mm x 1524mm) with a 4' (1219mm) table if needed.

## 1 Person



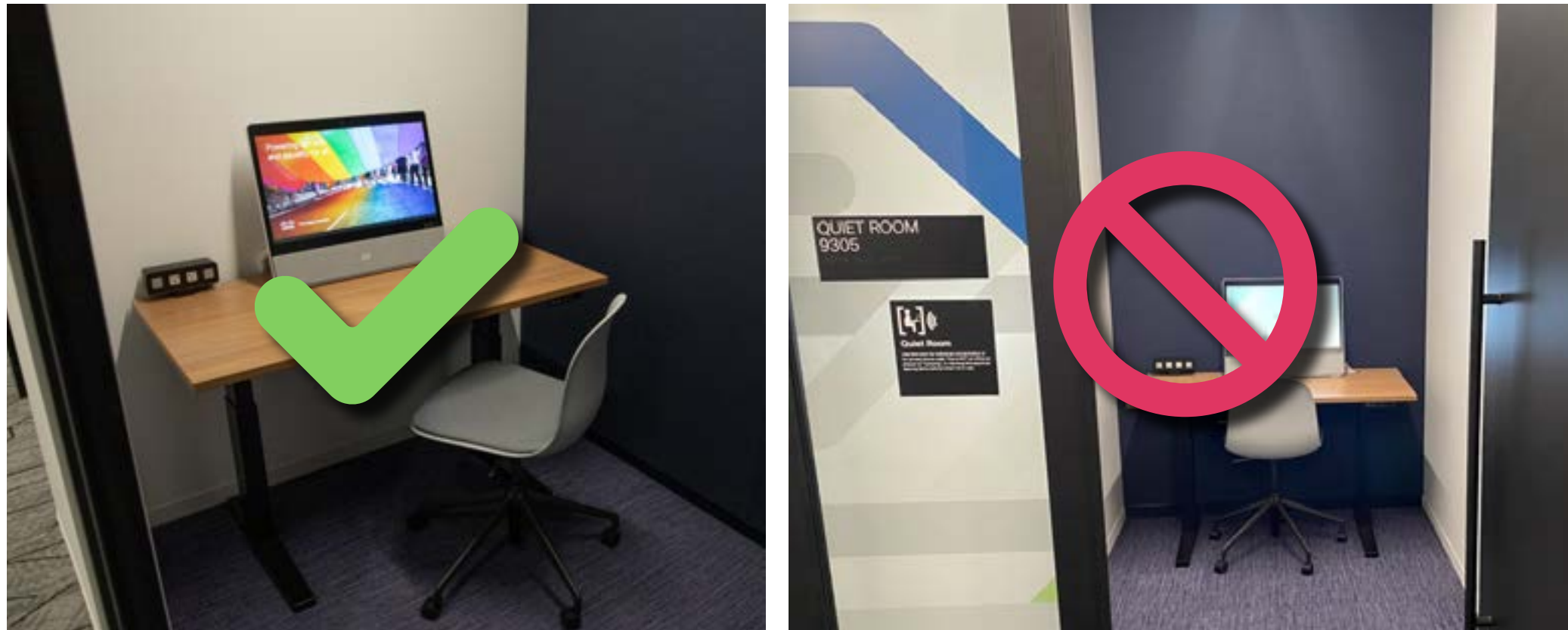
## 2 Person





# Design Considerations

## Room Orientation



Proper orientation of the desk within the Quiet Room is critically important. Positioning the desk on the adjoining wall with the door, as opposed to the opposite wall, will provide greater privacy inside the room, as well as minimize the number of “false positives” created when the collaboration device is used to detect occupancy. If the device has to be located on the opposing wall, make sure the Meeting Zones feature is activated on the Cisco Collaboration device. This will allow you to customize the view of the camera, thus eliminating the detection individuals walking by the room.

## Desk Features



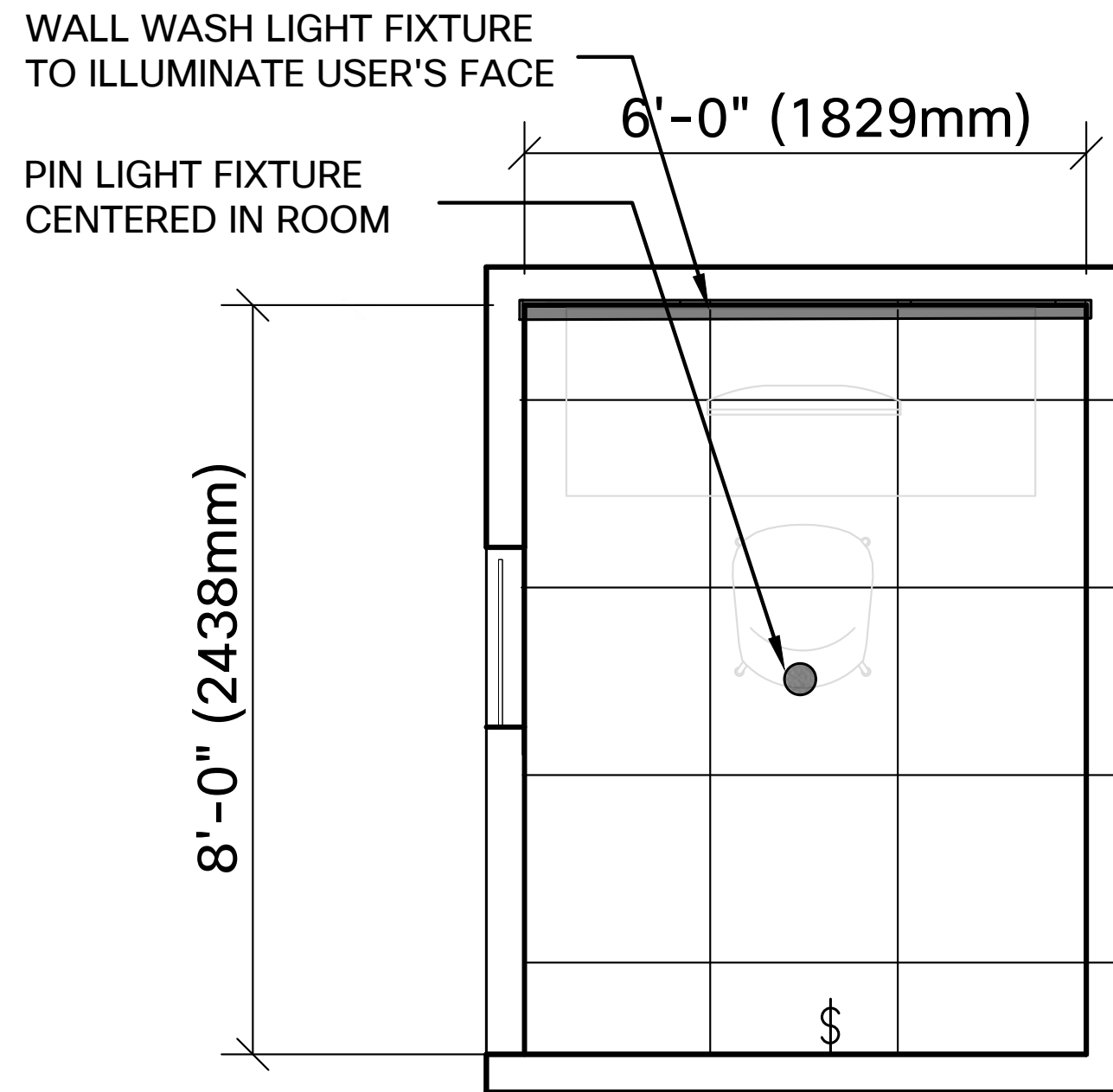
Addition of a metal lip on table edge to ensure the video device does not slip off back.



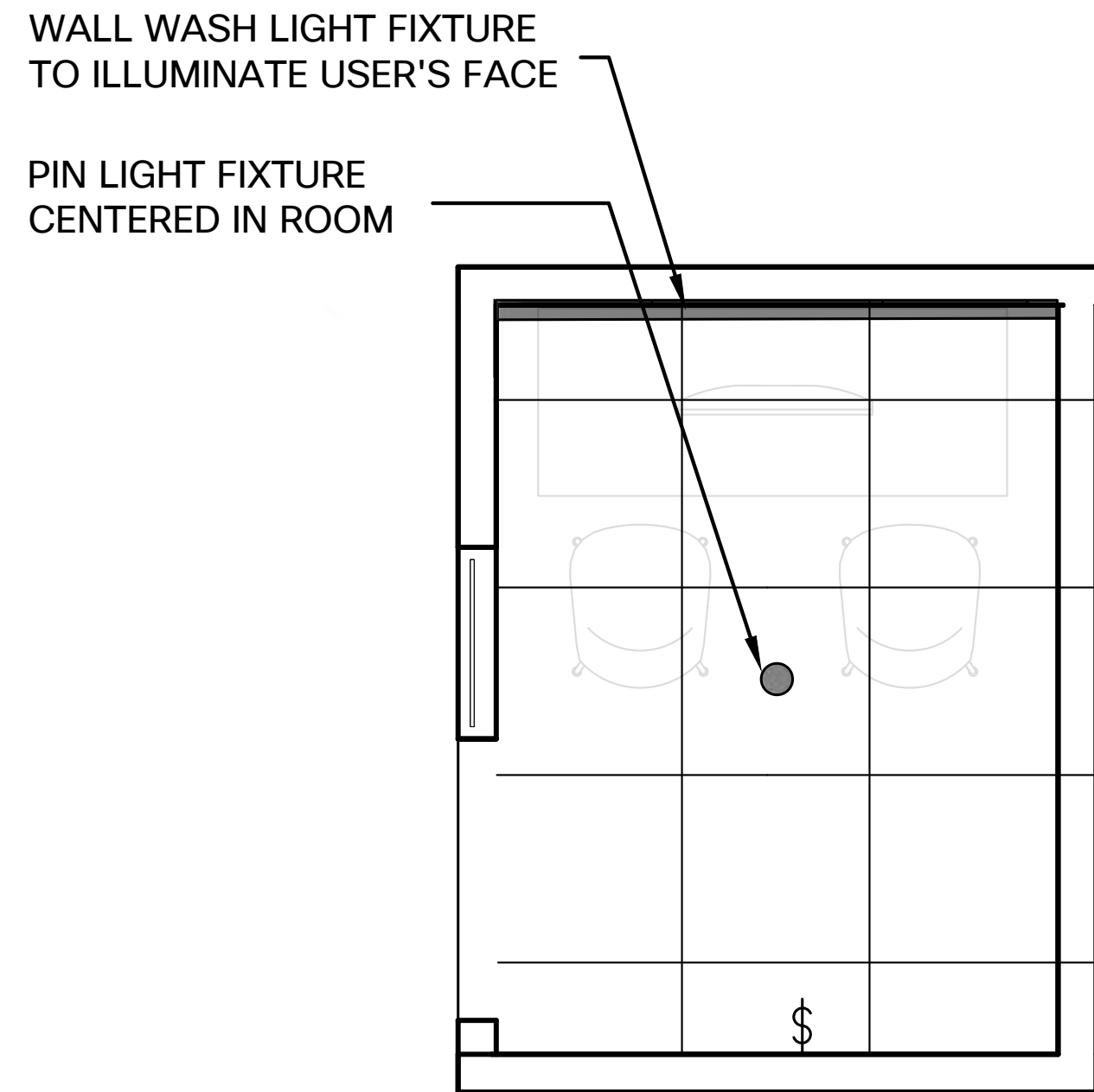
Addition of vinyl distraction graphic on sidelights for added privacy and to ensure video device does not capture people walking by the room.

# Reflective Ceiling Plan

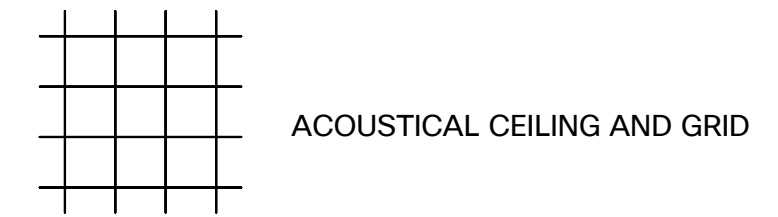
## 1 Person



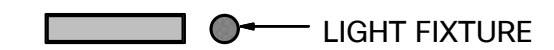
## 2 Person



## Graphics Symbols



LIGHT FIXTURES



## DESIGN GUIDELINES

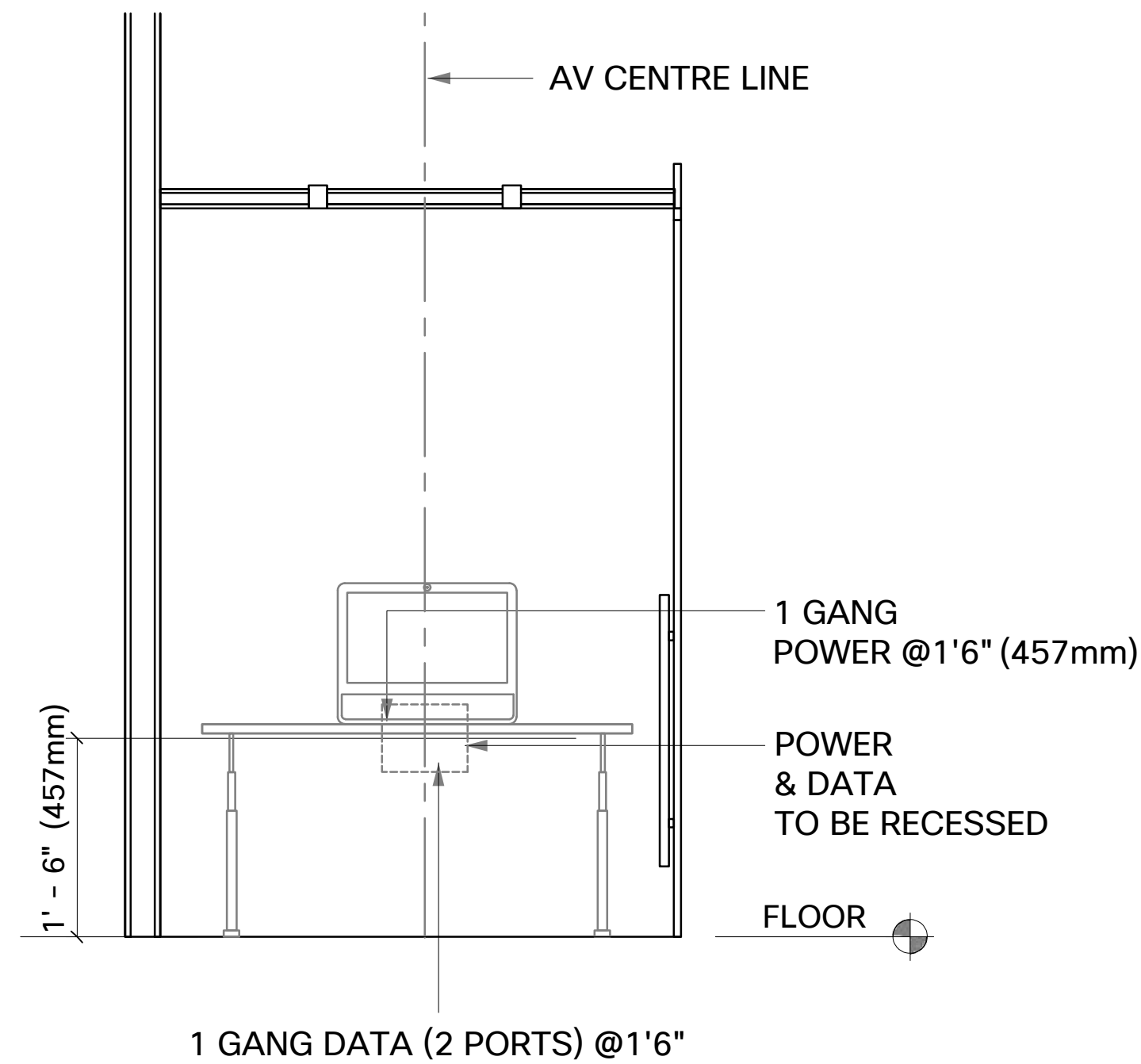
CEILING HEIGHT WILL VARY PER SITE CONDITIONS.

OPTIMAL FOOTCANDLE LEVELS SHALL BE PROVIDED BY LIGHTING PROFESSIONAL TO OBTAIN BEST PRACTICE LEVELS REQUIRED FOR DESKTOP AND ALL OTHER TASKS.

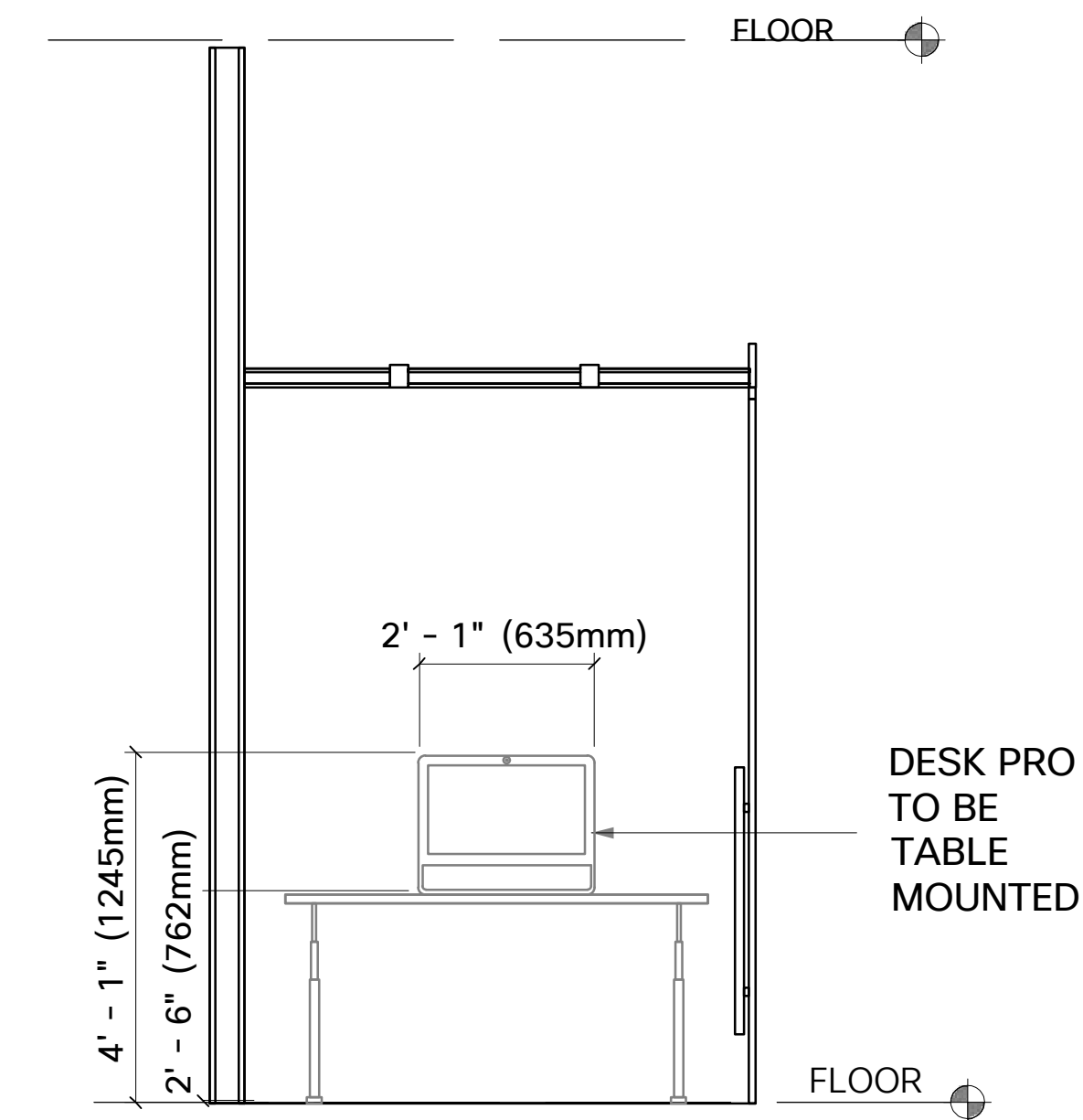
H.V.A.C. AND ALL OTHER SITE SPECIFIC CEILING EQUIPMENT SHALL BE COORDINATED WITH ALL OTHER CEILING DEVICES.

# Room Elevations

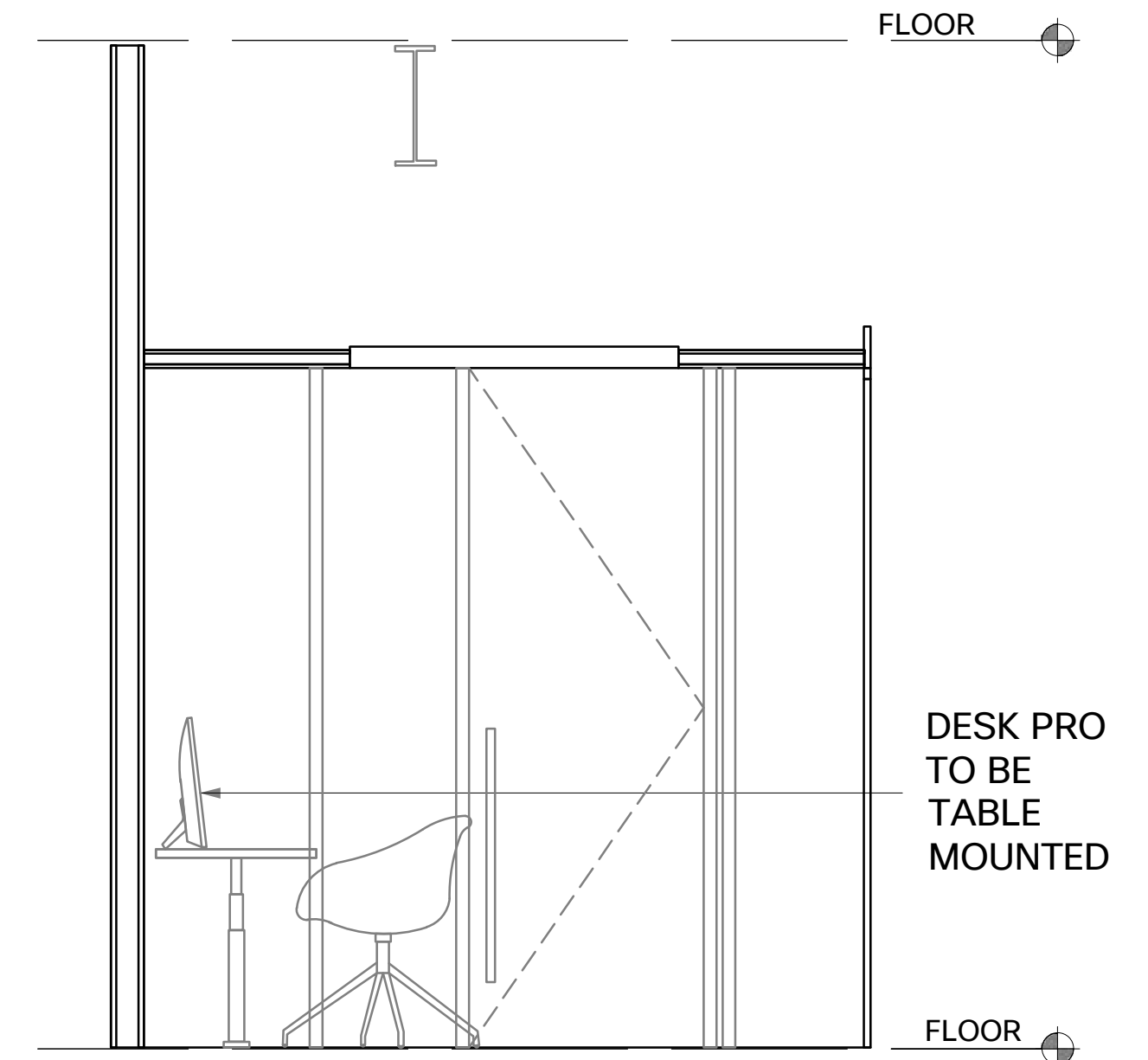
## Construction Elevation



## Front Elevation



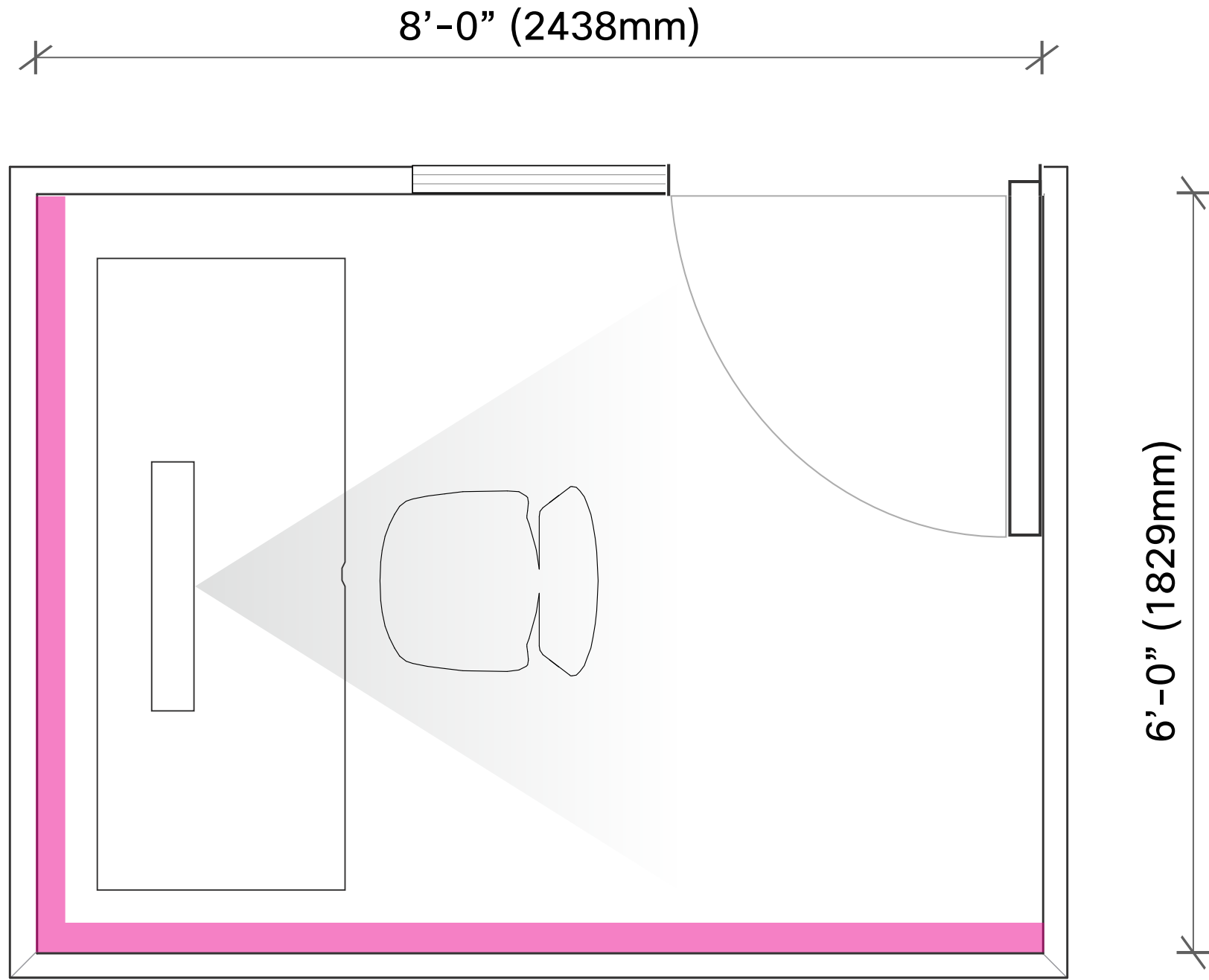
## Side Elevation



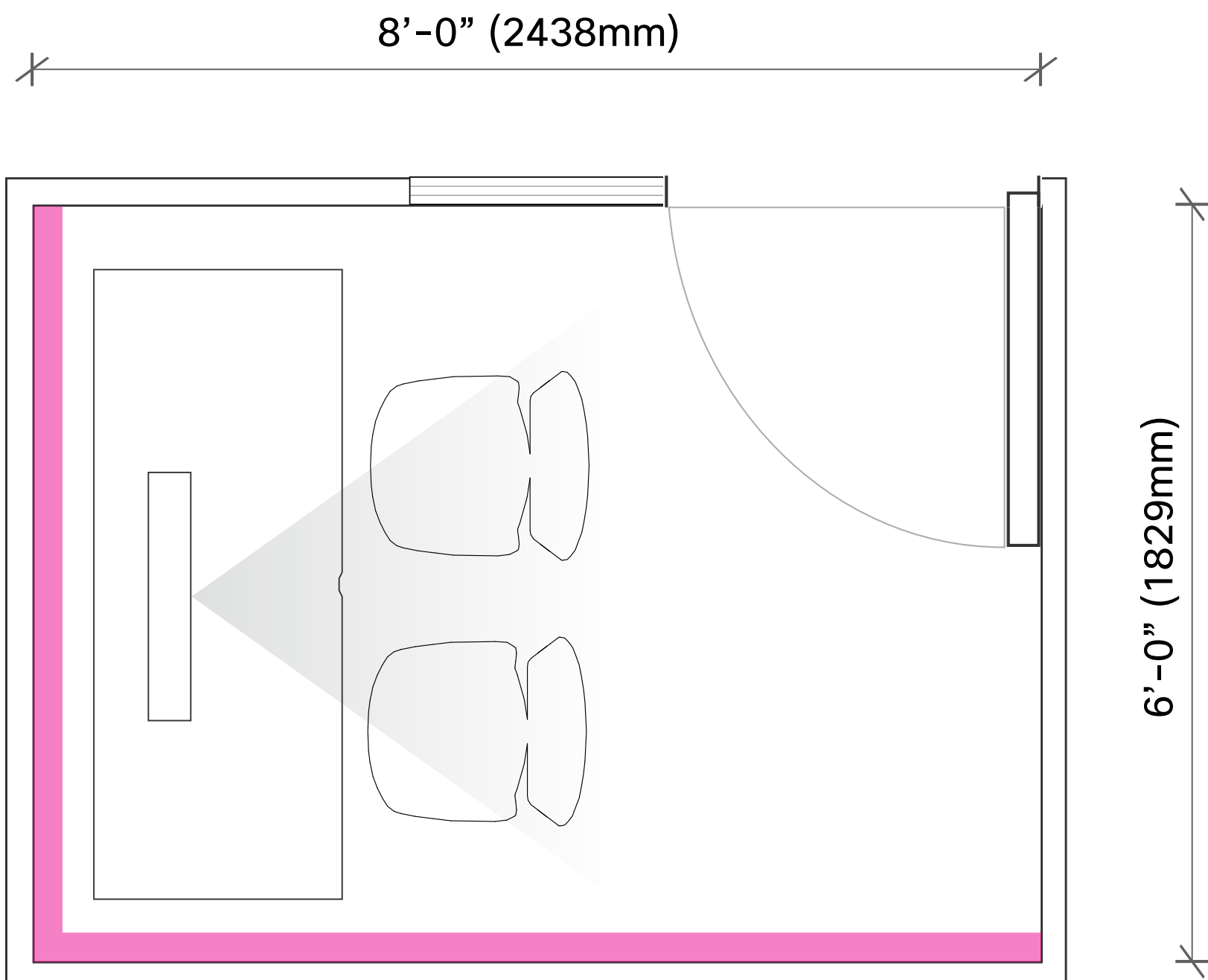


# Acoustical Treatment

## 1 Person



## 2 Person



# Exploded IT Diagram



## Cisco Room Navigator for Wall

It is recommended to run the cable inside the wall or through the door frame directly back to a network switch.

## Table Top Charging

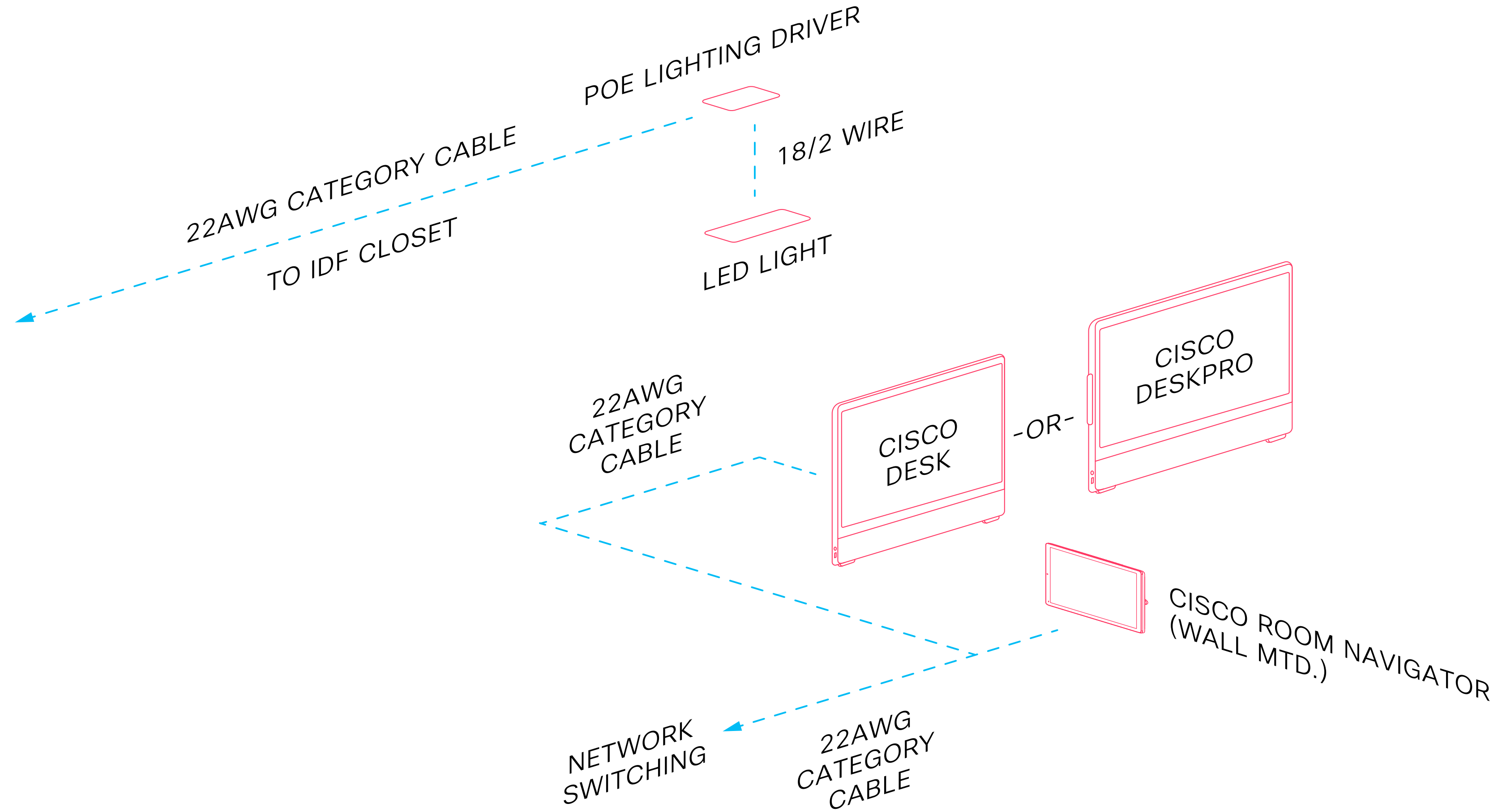
USB-C charging and convenience outlets on table top. Ensure the size of the trough and layout can accommodate a variety of laptop power supplies.

## Wall Blocking

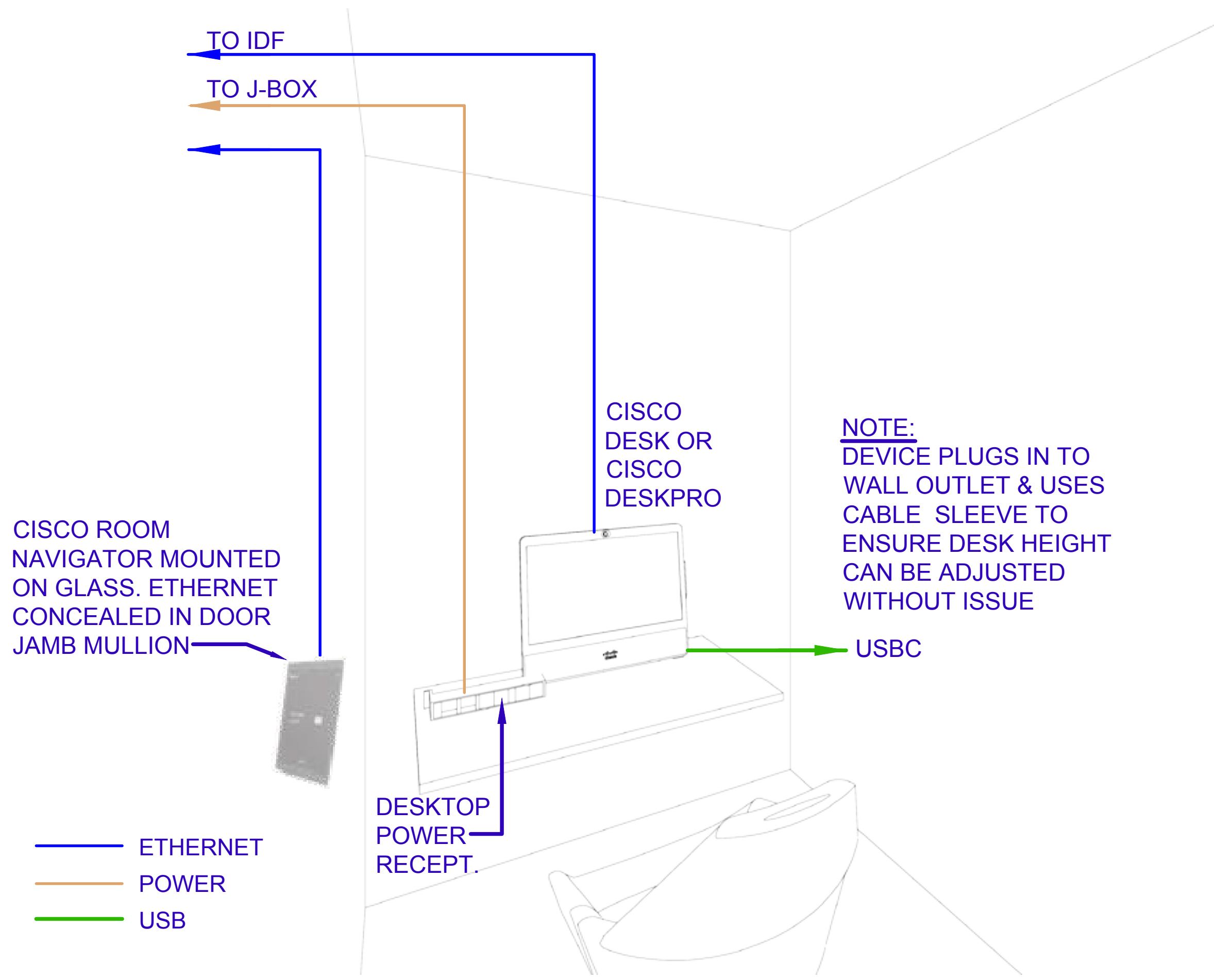
Not required as the device typically sits directly on the furniture.

## Core Drilling

Not required for this space.

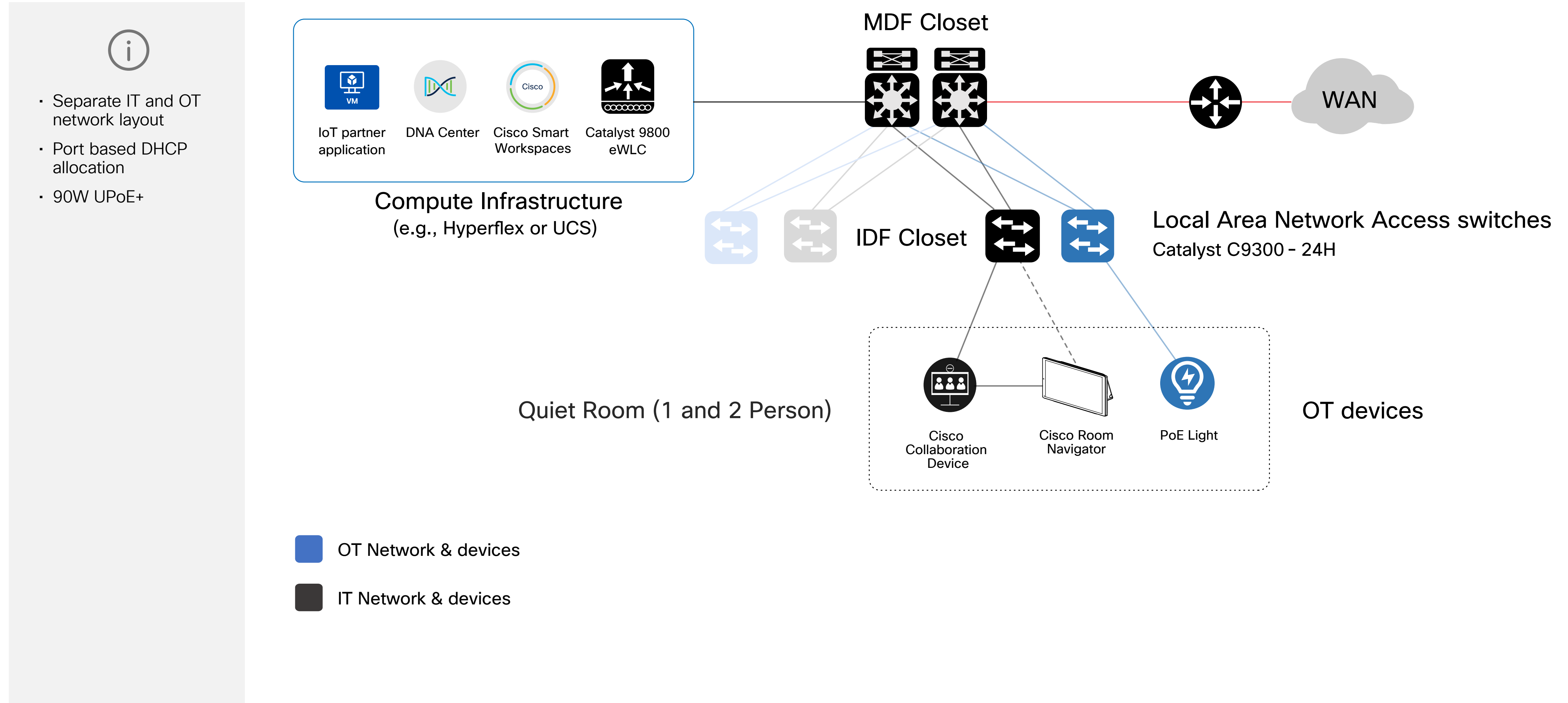


# Connectivity View





# IT/OT Reference Architectures



# IT/OT Bill of Material

---

---

## Cisco Products Video Endpoint in 1 Person Quiet Room

- **CS-DESK-K9** Cisco Desk
- **CS-T10-WM-K9=** Cisco Room Navigator for Wall

---

## Cisco Products Video Endpoint in 2 Person Quiet Room

- **CS-DESKPRO-K9** Cisco Desk Pro
- **CS-T10-WM-K9=** Cisco Room Navigator for Wall

---

## IOT Considerations

- IAQ coming from the Cisco Endpoints, No additional IoT IAQ
- Occupancy sensing is coming from the Cisco Endpoints
- Suggested lighting specifications: 220LPW raw,140LPW delivered
- 2 quiet rooms are being power by a single port
- Tradition DC Wall Switch
- Ensure device is not connected to ASHRAE 90.1 outlet

---

## External microphones and speakers

- Mic and speakers are embedded in the Cisco Endpoints, No additional mic or speakers required

# Commissioning-User Acceptance Testing (UAT) Criteria (Sample)

---

## OT/Space Testing

- Verify manual adjustment of lights, shades and environmental controls are operational from wall controls
- Confirm lighting occupancy sensor is functional
- Verify operation of adjustable height desk (if deployed)
- Check any tabletop power and data functionality
- Verify any smart buildings integrations are working properly

## IT Testing

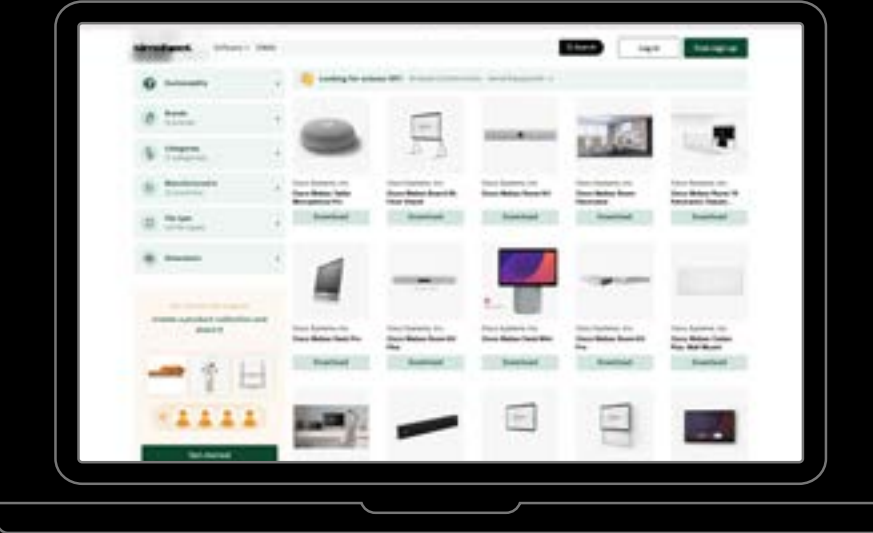
- Internet connectivity of Cisco Collaboration device
- Initiate test calls on video endpoint (via device, Webex app and voice controls)
- Validate environmental metrics are being displayed on video device
- Confirm help videos are loaded
- Confirm occupancy beacon function is correctly working on Cisco Room Navigator for Wall
- Verify the Cisco Smart Workspaces display is showing proper presence status





## Design Files

Design files (Revit, AutoCAD, Sketch up, Rhino3D, etc.) for Cisco’s collaboration devices, network switches, wireless access points and Meraki security cameras can be found at [www.bimobjects.com](http://www.bimobjects.com), search “Cisco.”



## Resources

Guide: Best Practices for Creating Effective Video-enabled Rooms

© 2024 Cisco and/or its affiliates. All rights reserved. Cisco, the Cisco logo, Webex by Cisco, and Webex are trademarks or registered trademarks of Cisco and/or its affiliates in the U.S. and other countries. To view a list of Cisco trademarks, see the Trademarks page on the Cisco website. Third-party trademarks mentioned are the property of their respective owners. The use of the word “partner” does not imply a partnership relationship between Cisco and any other company. (2106R)

The intent of this document is to highlight the details, components and partners used in the creation of a Large Collaboration Room. Any reference herein to any specific commercial products or service does not necessarily constitute or imply its endorsement or recommendation.

