

Smart Building and Hybrid Work Solutions

# Cisco Collaboration Centers



Milan Look Book





# Milan Look Book

## Designing the office for the Hybrid World

Located in the Porta Nuova business district, Cisco's new Milan Collaboration Center is the epitome of style and innovation, in a city well-known for fashion and design. Like other newly renovated Cisco offices in New York, Atlanta, Paris, and Singapore, the Milan Collaboration Center combines hyper-connectivity, cutting-edge green tech, and beautiful, vibrant interiors to completely upend assumptions about what an in-office experience can be.

Encompassing 1,100m<sup>2</sup> and supporting 280 Milan-based employees, Cisco's newest Milan office is the latest example of Cisco's commitment to deliver connected, sustainable, and collaborative work environments. With over 70% of the available space dedicated to collaboration, learning, and socializing, the office is a hub for Cisco's employees, customers, and partners to share information, make decisions, brainstorm, and build lasting relationships.


Built on a Power over Ethernet (PoE) foundation, 100% of the lighting and a majority of the shading and sit-stand desks are powered over low voltage from the Cisco network, contributing significantly to our sustainability and health and wellness goals. When combined with other technology elements – such as Cisco Collaboration Devices, Cisco Catalyst WiFi Access Points, Meraki Cameras and Sensors, and Cisco Smart Workspace– Cisco's Milan Collaboration Center is the next step in Cisco's journey to digitize its real estate portfolio.

▶ Key Design & Implementation Partners	3
▶ Enabling Technology	4
▶ Floor Plan	12
▶ Hot Desk	13
▶ Video Booth	15
▶ Quiet Room (1 and 2 Person)	17
▶ Casual Huddle Room	20
▶ Brainstorming Huddle Room - Oval	23
▶ Small Collaboration Room	26
▶ Medium Collaboration Room - Dual Display	29
▶ Medium Collaboration Room - Video Centric	32
▶ Training Room	35
▶ Resources	38

The intent of this document is to highlight the details, components and partners used in the creation of this office. Any reference herein to any specific commercial products or service does not necessarily constitute or imply its endorsement or recommendation.



# Key Design & Implementation Partners



---

Owners Representative  
& Project Management



---

Architectural  
Design Services



---

Interiors & Furnishings



---

Collaboration Design  
& Implementation Services



---

Smart Building Design  
& Implementation Services



# Enabling Technology

## Smart Building Components



**molex**

Low Voltage 90W PoE lighting across entire floor and environmental sensors (air quality, temperature, humidity, and CO2) in the enclosed spaces



**Mecho  
somfy  
molex**

Intelligent automated shading platform



MT40 Smart Power Controllers and MT15 Environmental Sensors (air quality, temperature, humidity and CO2) in the open plan areas.

**mht**

Low Voltage 90W Power over Ethernet (PoE) powered actuators for height adjustable desks





# Enabling Technology

## Smart Cameras



### High-definition Indoor Security Cameras

Providing local storage of video and advanced object detection to support people counting.



### Cisco Meraki MV22 Cloud Managed Security Camera





# Enabling Technology

## Cisco Smart Workspaces



Workplace visualization tool, leveraging data sources across all technology platforms to help employees make better decisions within the work environment.



Floor occupancy from wireless access points

Indoor air quality from wired sensors in lighting platform, Cisco collaboration devices in collaboration spaces/individual spaces



# Enabling Technology

## Networking Elements



The Cisco Catalyst 90-watt UPOE+ 9300X stackable switching platform provides connectivity and power for both IT elements (wireless access points, collaboration devices, digital signage, smart cameras, etc.) and OT systems (lighting, shading and environmental sensors).



The Cisco Catalyst 9166 Wireless Access Points (APs) provide secure network connectivity for employees and guests. These devices have built in air quality (VoC) sensors, providing additional data on environmental performance.

Cisco Catalyst 9300X Switch



Cisco Catalyst 9166 Wireless Access Points





# Enabling Technology

## Cisco Video Devices



Cisco Room Bar



Cisco Room Kit EQ



Cisco Room Kit Pro



Cisco Board Pro



Cisco Room Kit EQX



Cisco Desk Pro



Cisco Desk



Cisco Desk Mini



Cisco Ceiling  
Microphone Pro



Cisco Table  
Microphone Pro



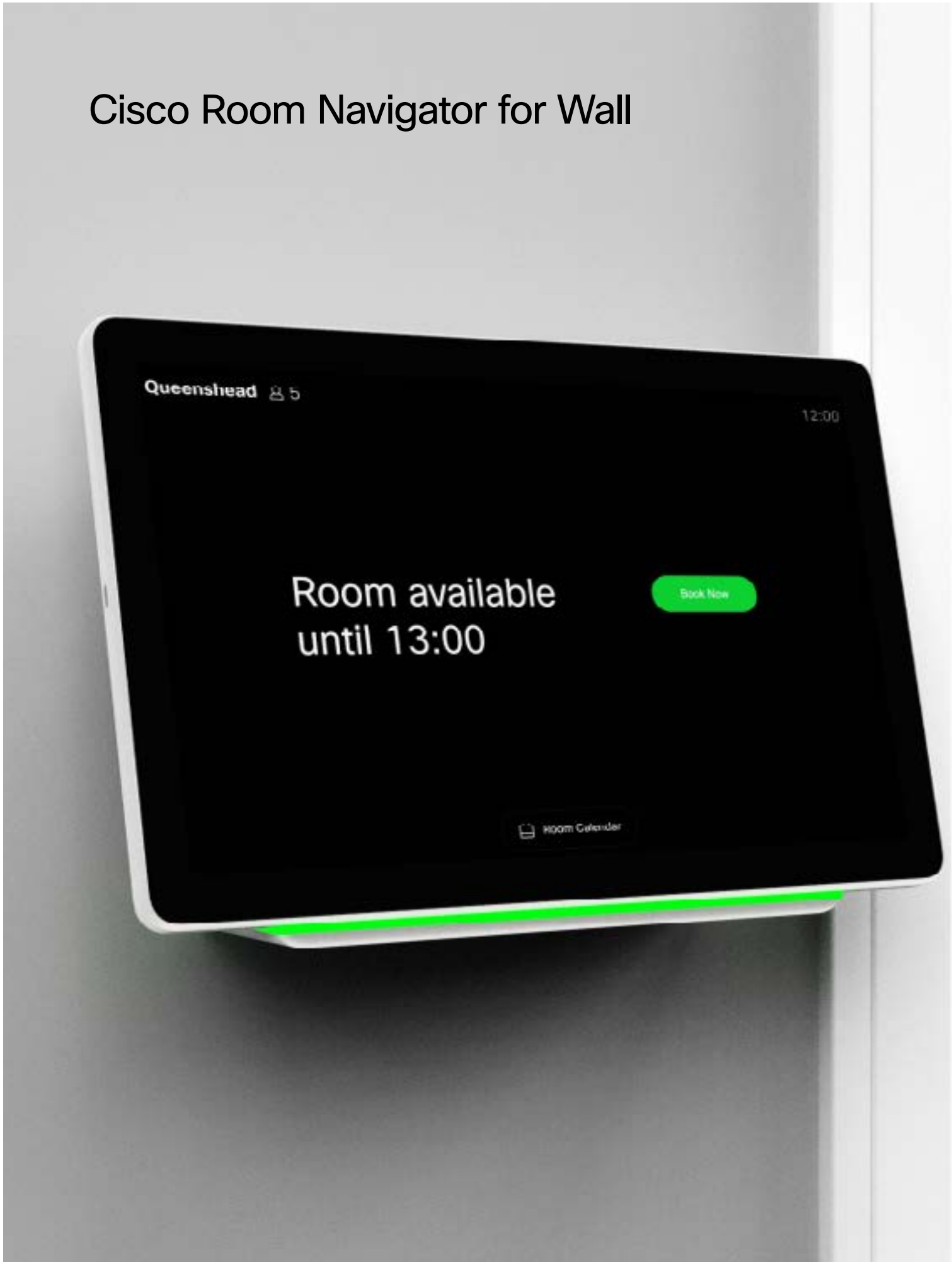


# Enabling Technology

## Room Signage



Cisco Room Navigator for Wall



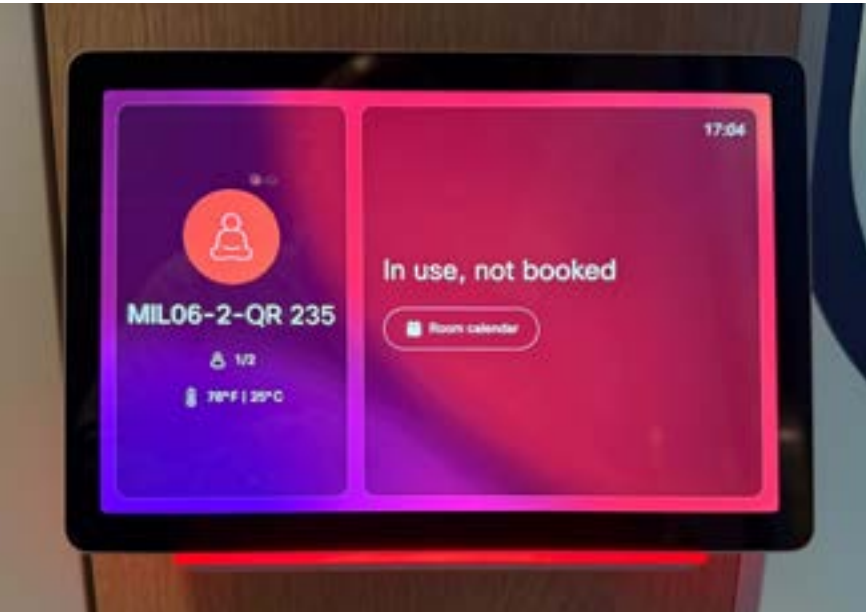
### Bookable Rooms

Cisco Room Navigator for Wall – through its integration with the O365 Calendar – enables seamless room booking, calendar view, meeting information, and meeting extension with a few taps on the touch screen.



### Adhoc Rooms

Using the presence and people counting capabilities of the Cisco Collaboration Devices, the Cisco Room Navigator changes the LED light and display based on occupancy - green for available and red for occupied.





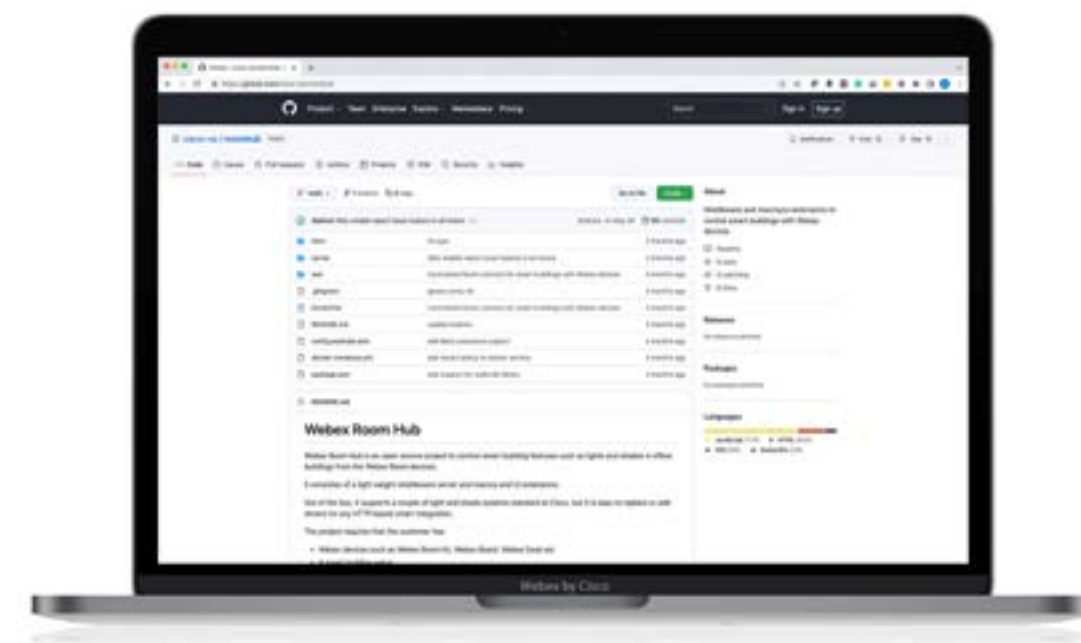
# Enabling Technology

## Building System Integration



Leveraging the open APIs available from the smart building systems and the UI Extension feature within the Cisco collaboration devices, custom buttons have been installed on the Cisco Board Pros, Cisco Desk/Desk Pros, and the Cisco Room Navigator to control lights and shades in the collaboration spaces.

The integrations leverage the openness of the smart building APIs and the Cisco collaboration devices, and do not require using any third-party control systems (Crestron, AMX, etc.). They are now available on GitHub for download and use.





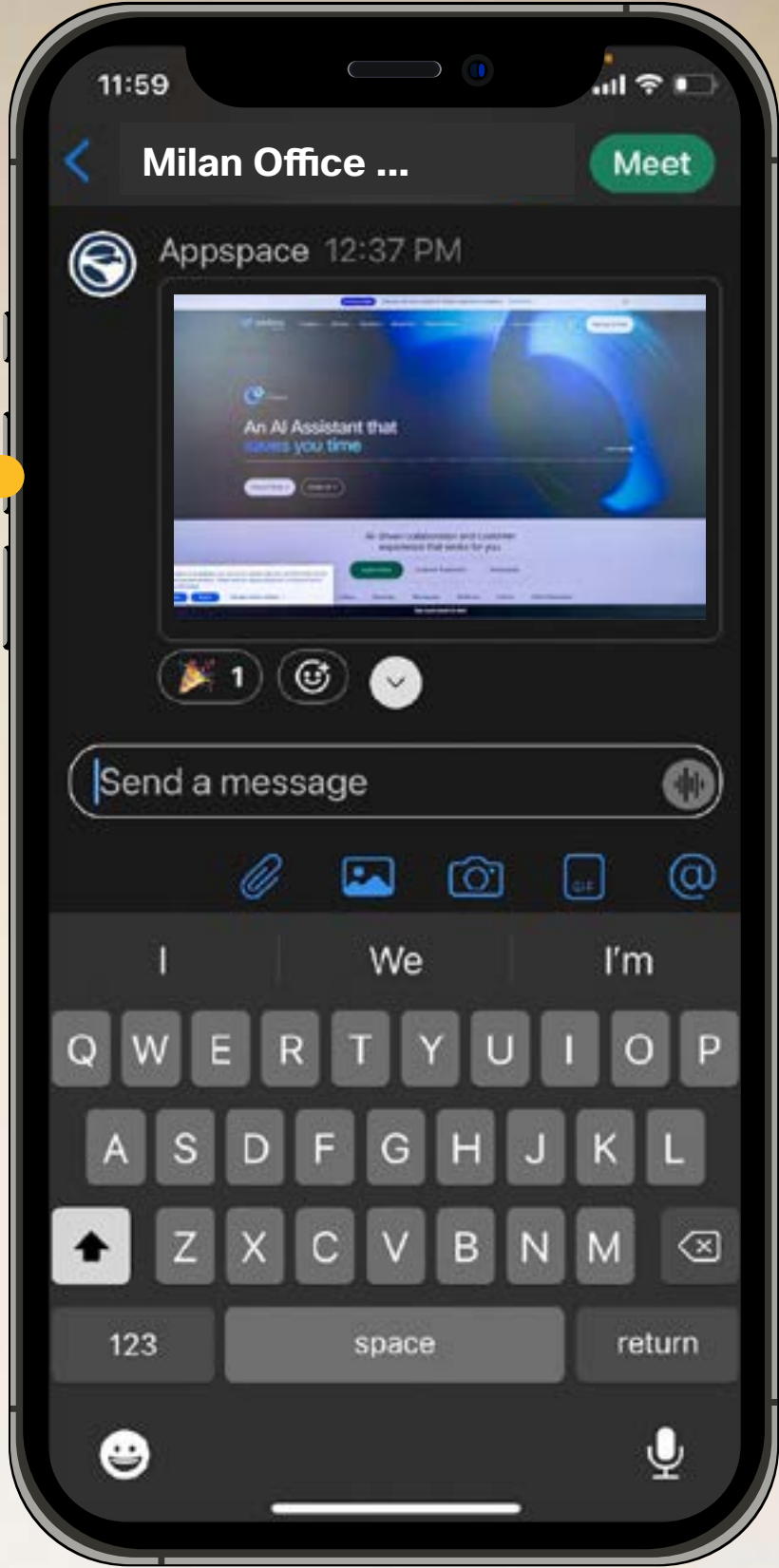
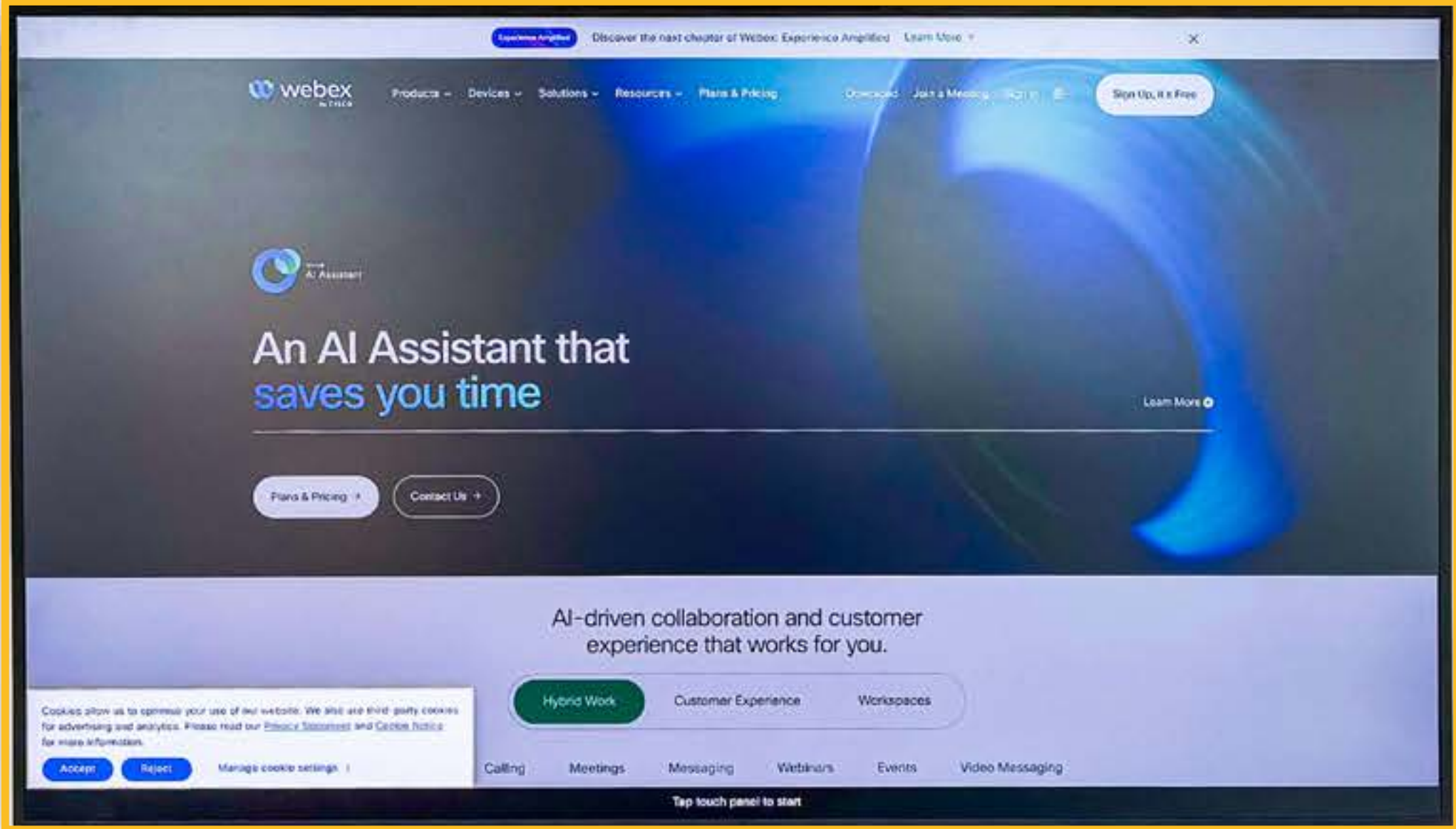
# Enabling Technology

## Digital Signage



Appspace  
Digital Signage on  
Samsung 65" display

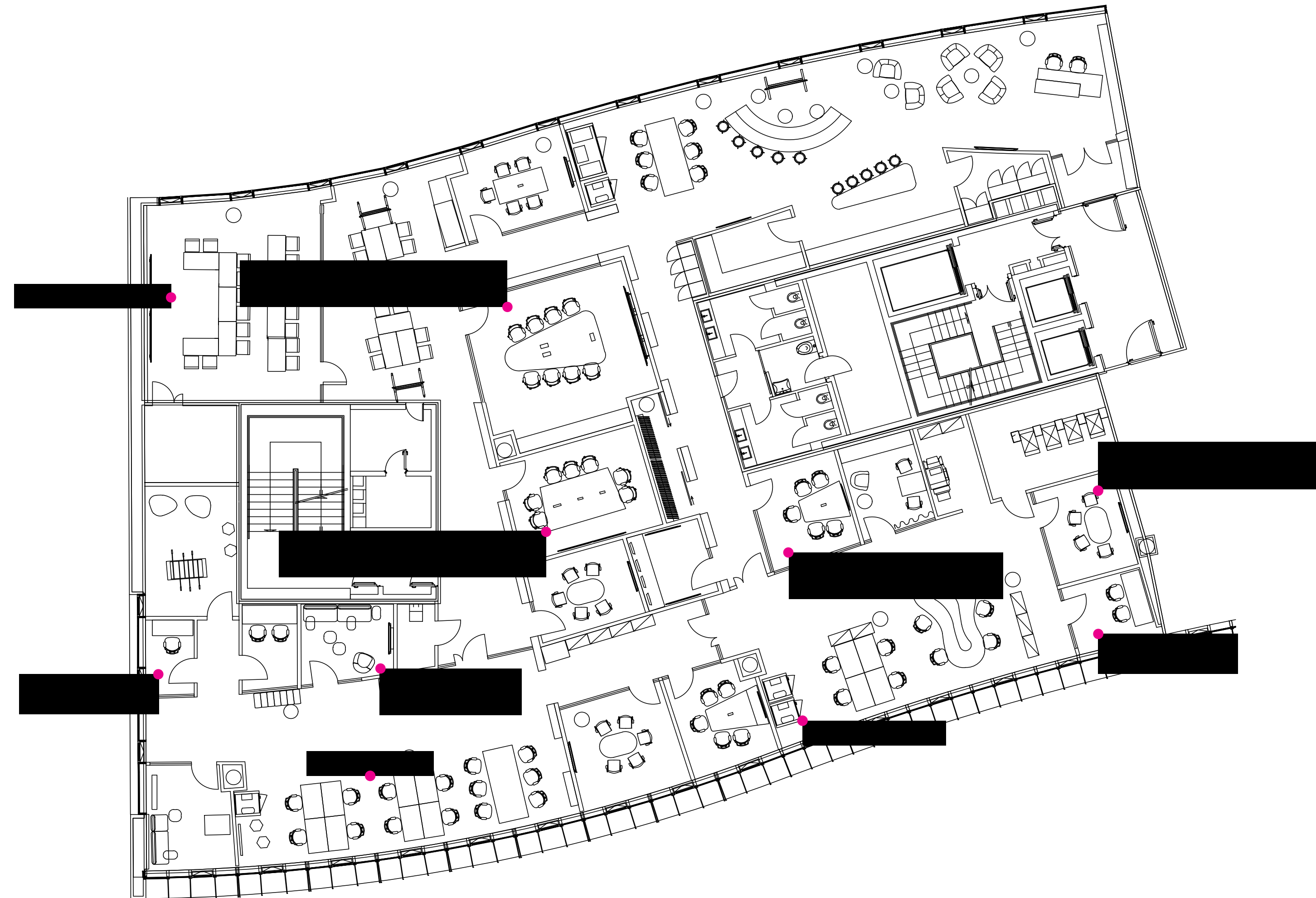
Simultaneous display  
of local office signage  
within the Webex app,  
via Appspace bot.







# Floor Plan





# Hot Desk

## Overview



Providing areas for people to do focus work or passively participate in a remote meeting is critical in the hybrid work environment, and the hot desk is the ideal space for these activities.

In Milan, the Hot Desks in the public-facing area are 100% low voltage and powered by the Cisco network. This includes powering the height-adjustable desk motor, task light, USB-C power monument for laptop and mobile device charging, as well as the Cisco Desk device.

With a simple scan of the QR code, employees can sign in and book the desk for a few hours or for the rest of the day. Hot desking turns the Webex Desk into the employee's personal meeting device, enabling meeting notifications, One Button to Push, and whiteboarding. The device can also be used as a secondary display.

### Features

- Cisco Desk
- Torasen Freeway Height-Adjustable Desk
- Flokk Profim Task chair
- Humanscale Nova Task Light
- MHTi Inspextor Node
- Linak Power Monument

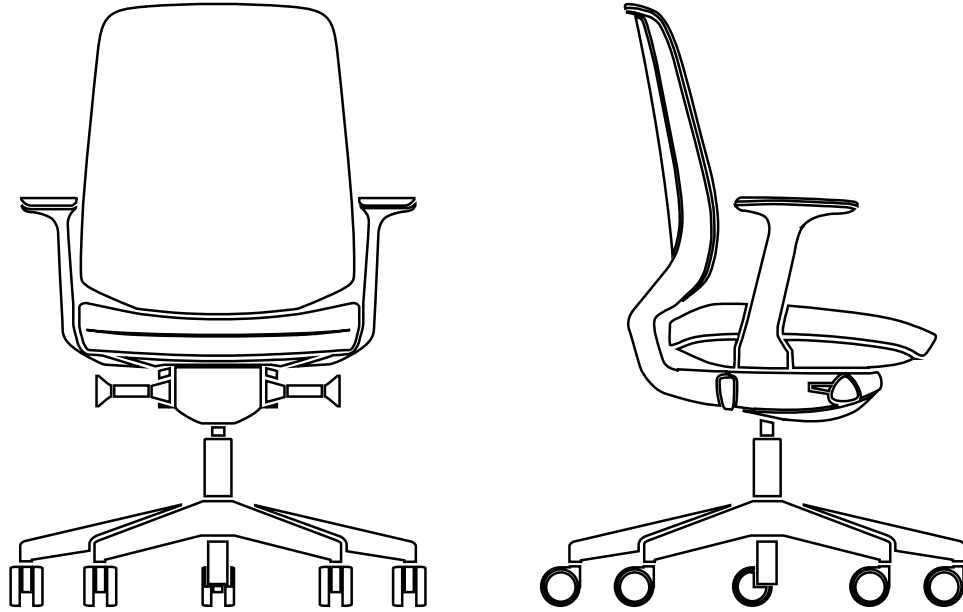




# Hot Desk Components



Flokk Profim Light Up 250SL Task Chair



Task chair on 5 star base with castors

Seat Fabric:  
Medley 60999

Backrest Finish:  
Black Mesh

Armrests:  
3D Arms

Base Finish:  
Black



Cisco Desk



Torassen Freeway HA Desk



2 person sit-stand back to back workstation

Edge Detail:  
Square

Frame:  
Open Leg

Finish:  
Vescom Acton 7062.24

Surface Dimensions:  
1400mm (4'-7") x  
700mm (2'-4")



Humanscale Nova Task Light



Finish: Black



MHT Inspextor



Linak Desktop  
Power Monument





# Video Booth



Ideal for short-duration privacy from the open plan, these free-standing spaces are equipped with a Cisco Desk Mini to enable video, desktop sharing, and whiteboarding.

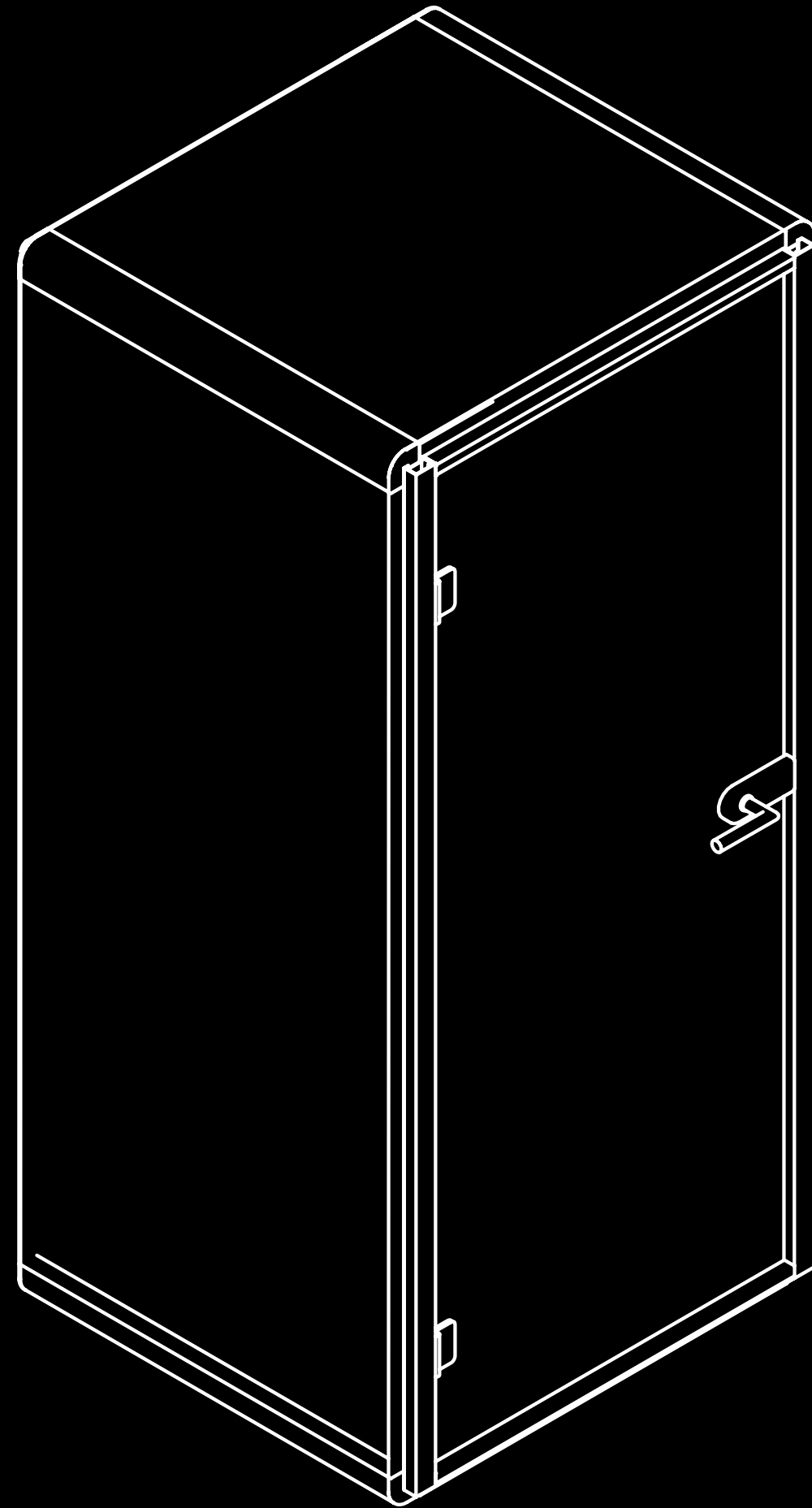
## Cisco Desk Mini





# Video Booth

## Detail



### Senator Hideaway HWY01 Telephone Booth

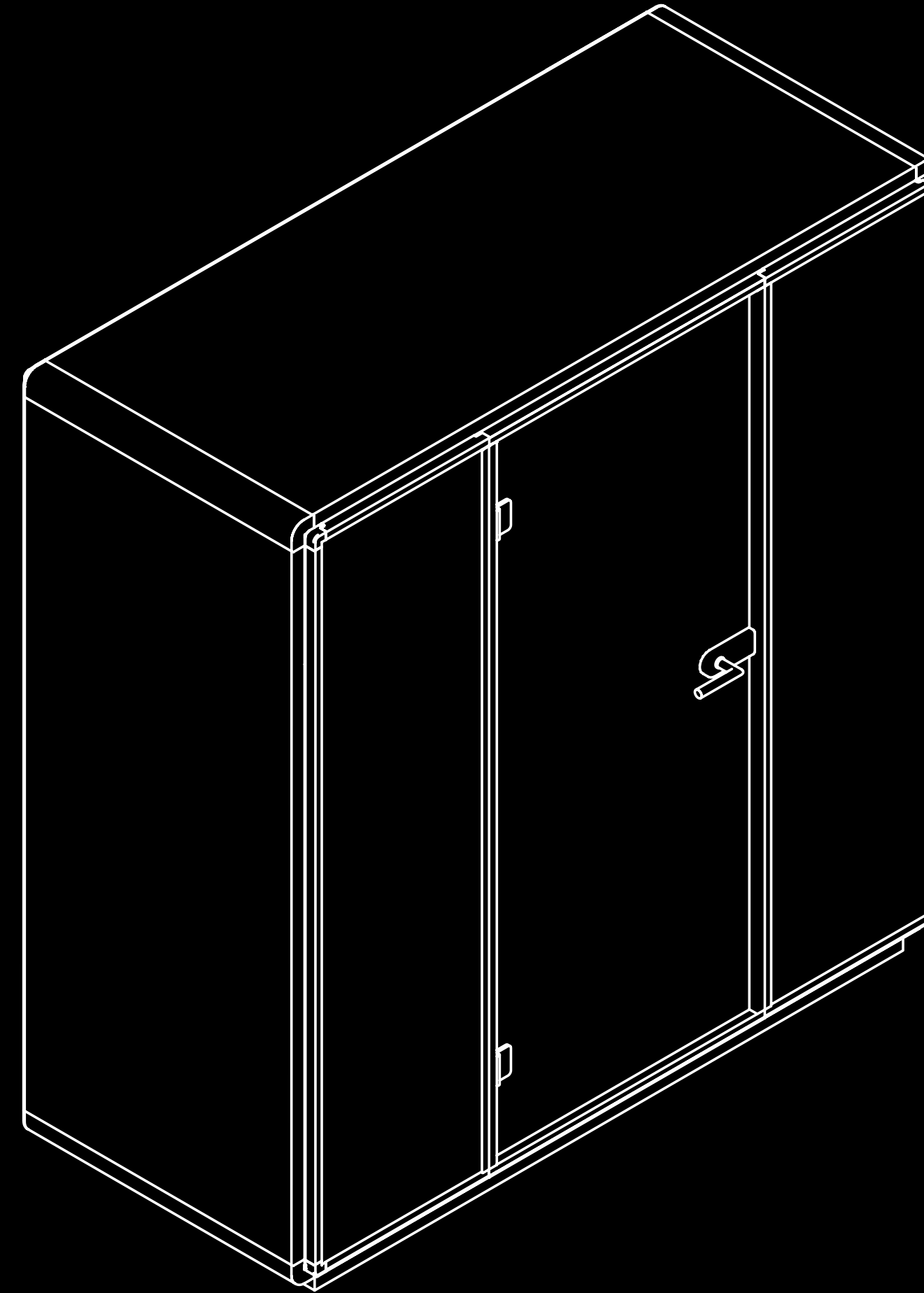
Dimensions:

Overall Height: 2215mm (87.25")

Overall Width: 1026mm (40.5")

Overall Depth: 960mm (37.75")

10.8mm Acoustic Glass



### Senator Hideaway HWY02S Two Person Booth with Seating

Dimensions:

Overall Height: 2290mm (90.25")

Overall Width: 2150mm (84.75")

Overall Depth: 960mm (37.75")

10.8mm Acoustic Glass



# Quiet Room (1 and 2 Person)

## Overview



1 Person



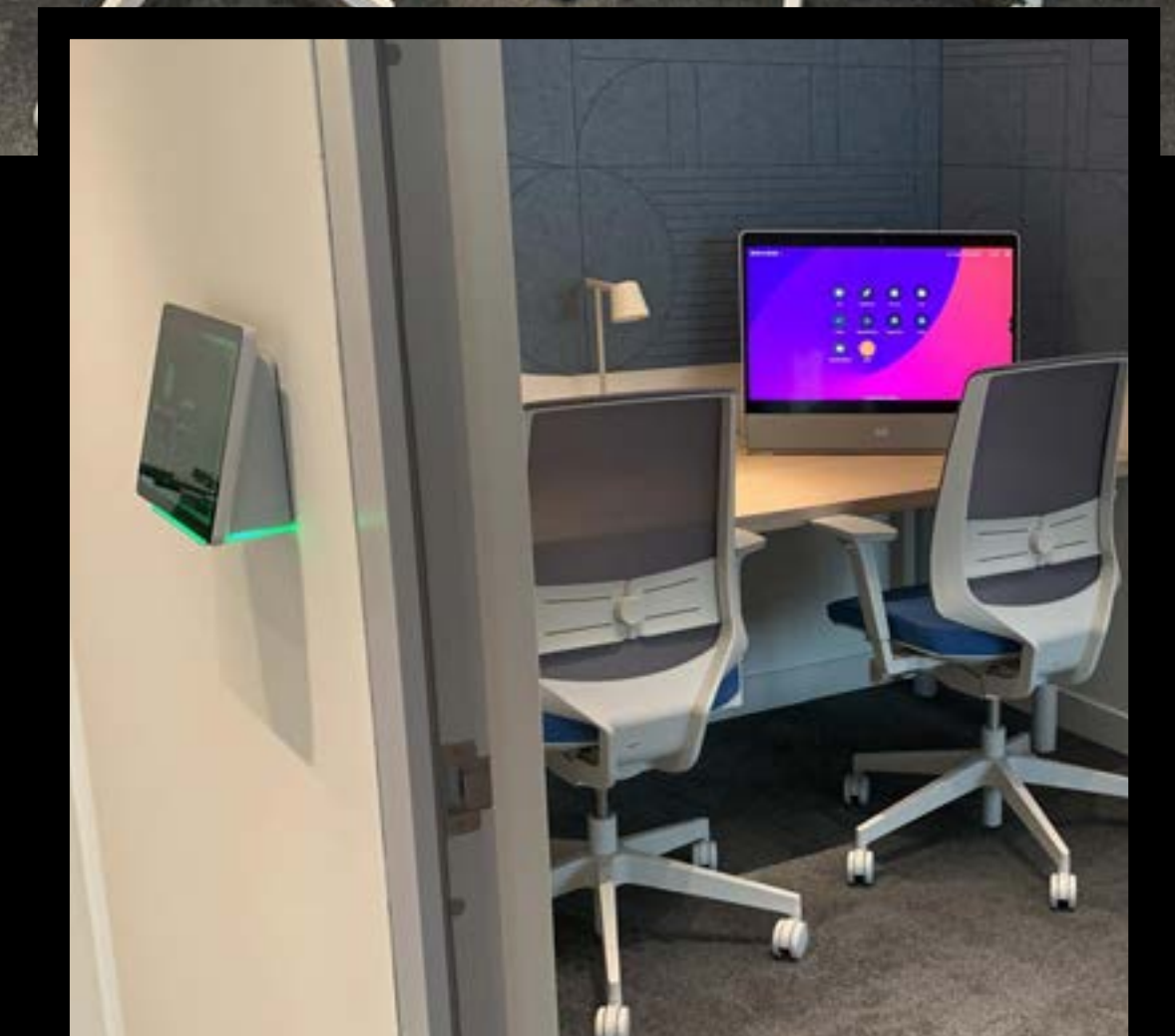
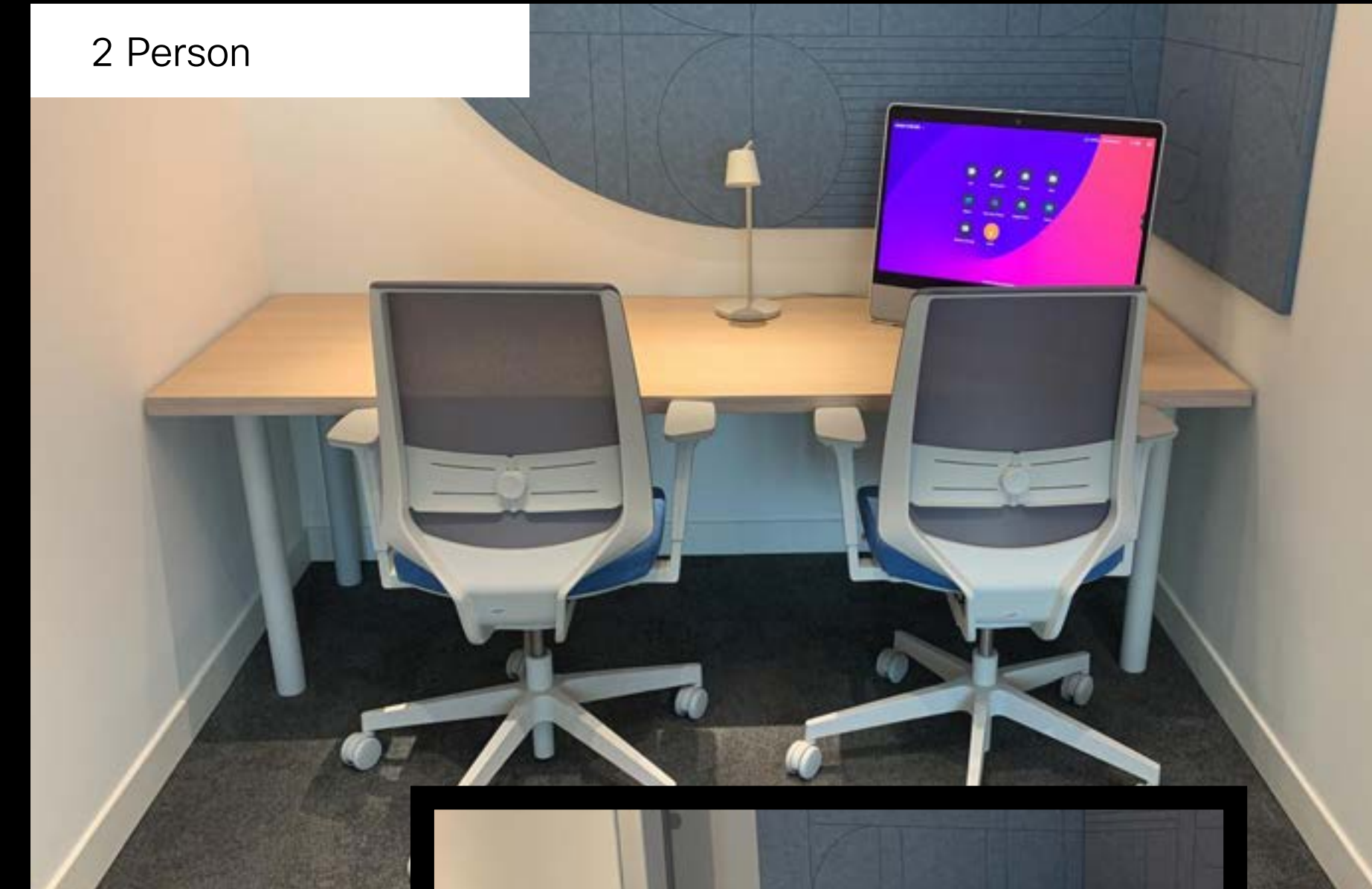
The one and two-person quiet rooms are the great space when employees and/or visitors need privacy to take a video call, carry out focused work, collaborate with another individual, or simply need a bit more screen space.

### Features

- Cisco Desk (1 person) and Cisco Desk Pro (2 person)
- Flokk Profim Lightup 250SL Task Chair
- Humanscale Nova Task Light



2 Person



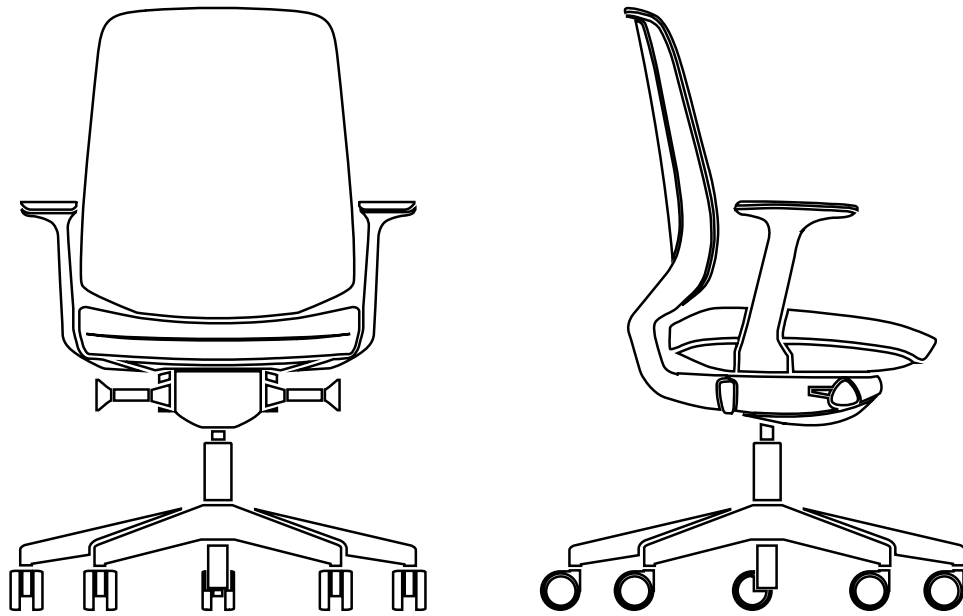


# Quiet Room (1 and 2 Person)

## Components



Flokk Profim Light Up 250SL Task Chair



Task chair on 5 star base with castors  
Seat Fabric: Medley 66009 & Medley 67006  
Backrest Finish: Light Grey Mesh  
Armrests: 3D Arms  
Base Finish: Light Grey



Humanscale Nova Task Light



Finish: Black



Cisco Desk Pro



Cisco Desk



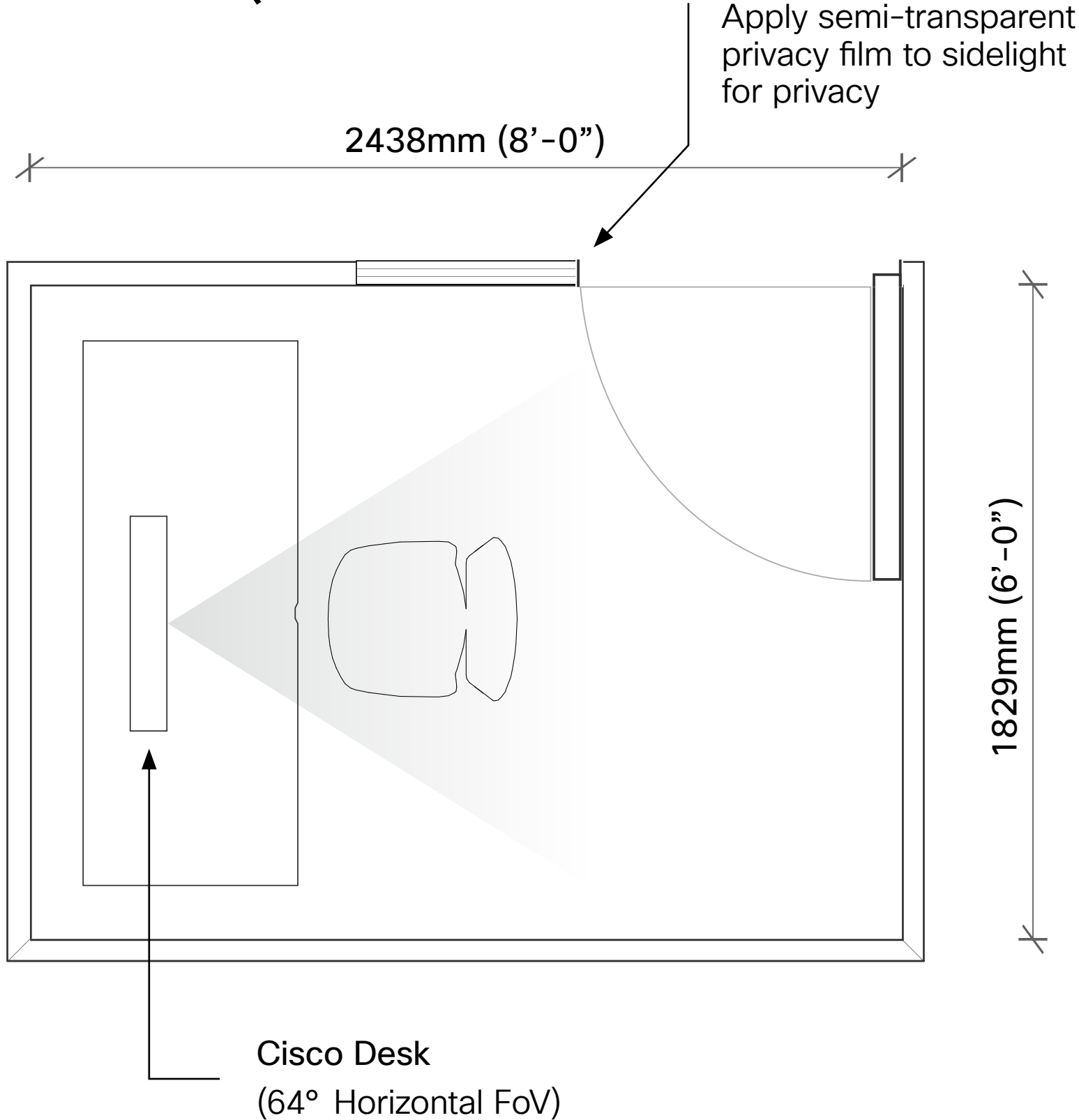


# Quiet Room (1 and 2 Person)

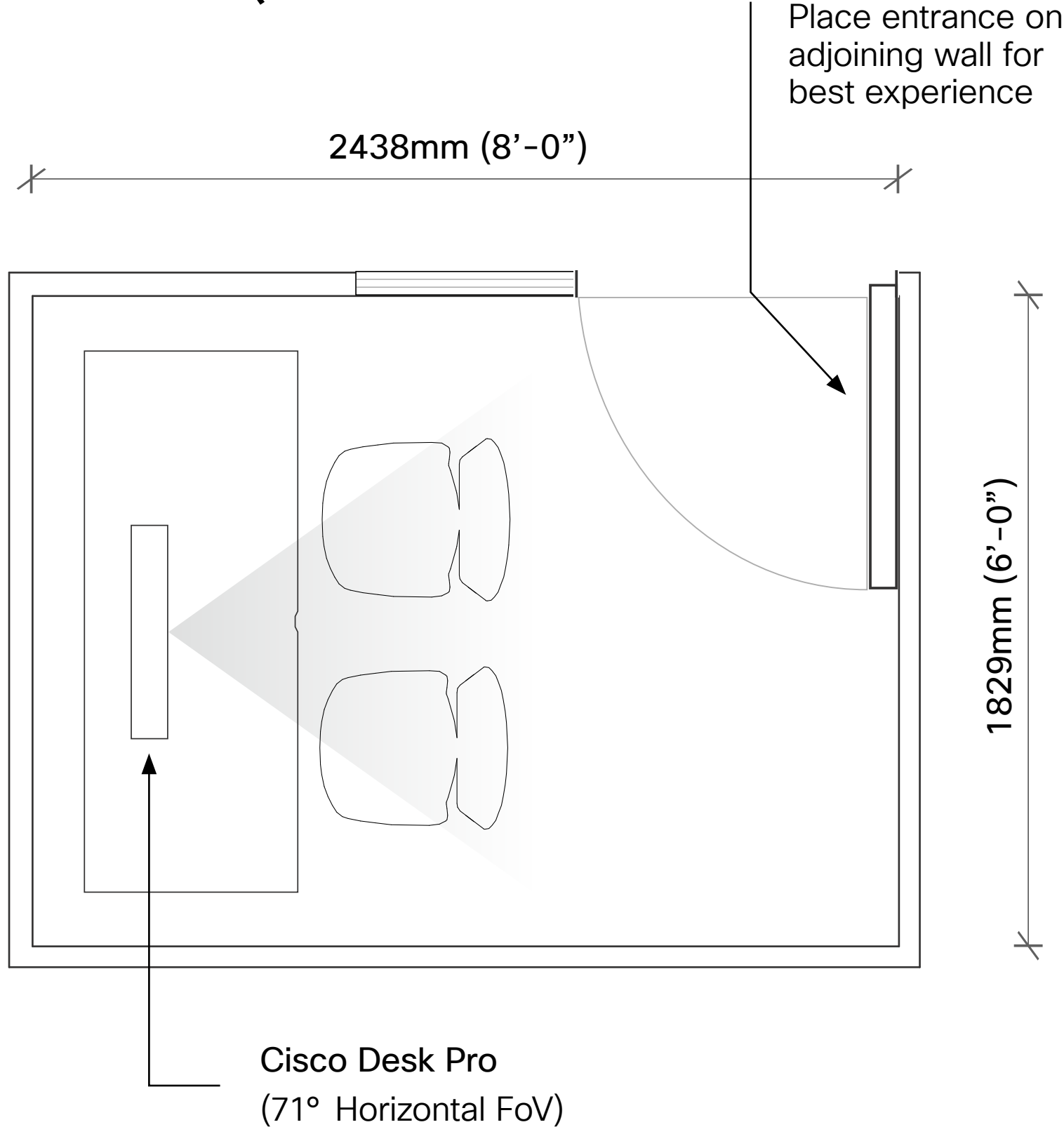
## Room Layout



1 Person Quiet Room



2 Person Quiet Room



Note: Optimal size is nominal 2438mm x 1829mm (8'x6'), with a 1524mm (5') table, 1 person room can go to 2134mm x 1524mm (7'x5') with a 1291mm (4') table if needed



# Casual Huddle Room

## Overview



The Casual Huddle is specifically designed for that informal meeting with colleagues, even when some of those colleagues are remote.

The soft seat is lightweight and highly flexible, allowing the space to adapt to any and all needs. The Cisco Board Pro 55 is the perfect solution for this space, allowing employees to quickly join a meeting, white board or wirelessly share content both locally and in a call.

### Features

- Cisco Board Pro 55 on a Floor Stand
- Sedus SELAB Sofa
- Allermuir Chair
- Sedus SEWORKS Side Table





# Casual Huddle Room

## Components



Cisco Board Pro 55 with Floor Stand



CISCO

Sedus se:lab Sofa



Base: White  
Upholstery: Gabriel Fame - 66075  
1700mm W x 7250mm H x 980mm D

sedus

Sedus se:works  
Table Assitant

Height adjustable side table  
Base: White or Black  
Finish: White or Black  
500mm Dia x 470-1160mm H



sedus

Allermuir Famgilia  
FM1101 Chair



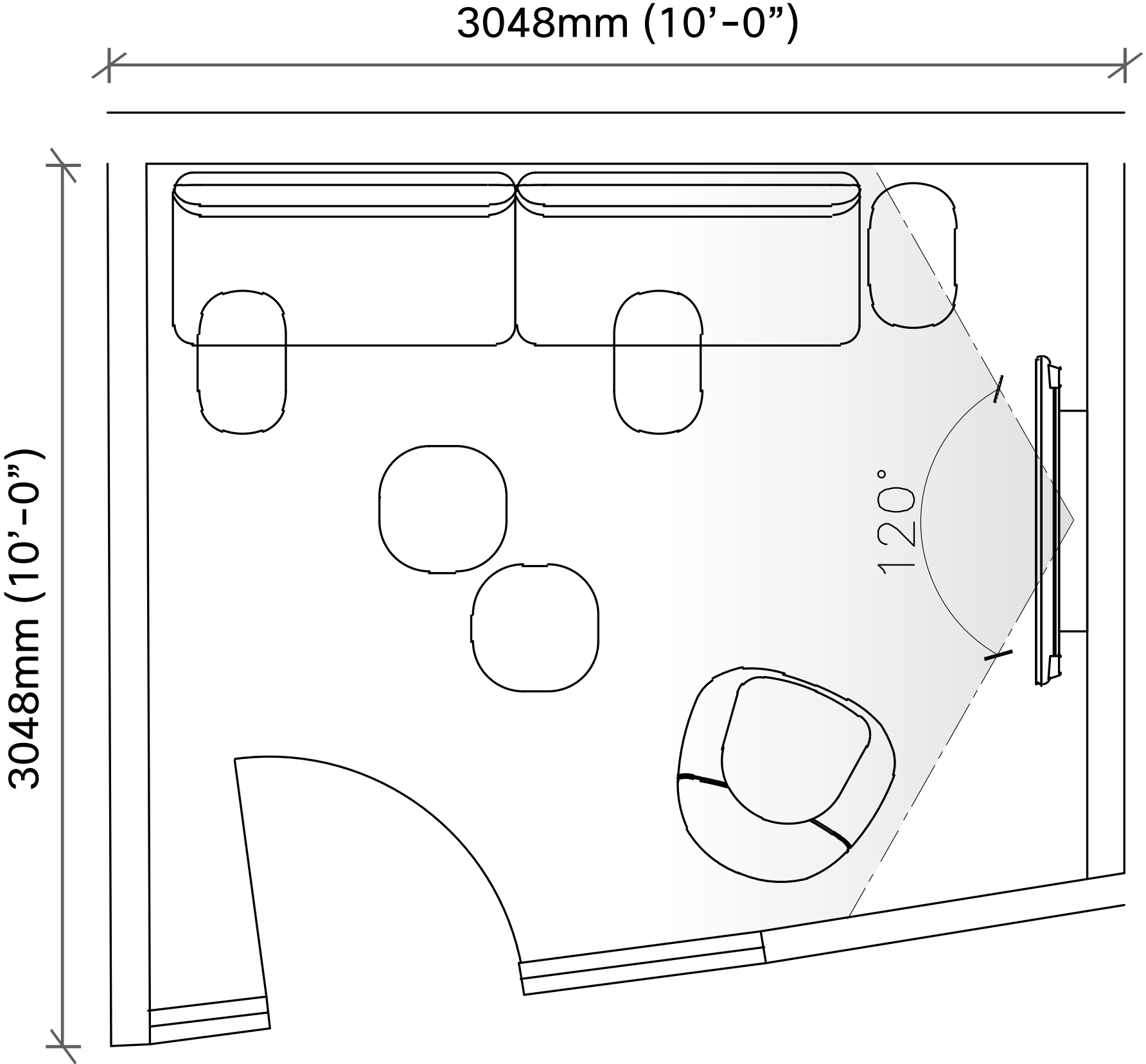
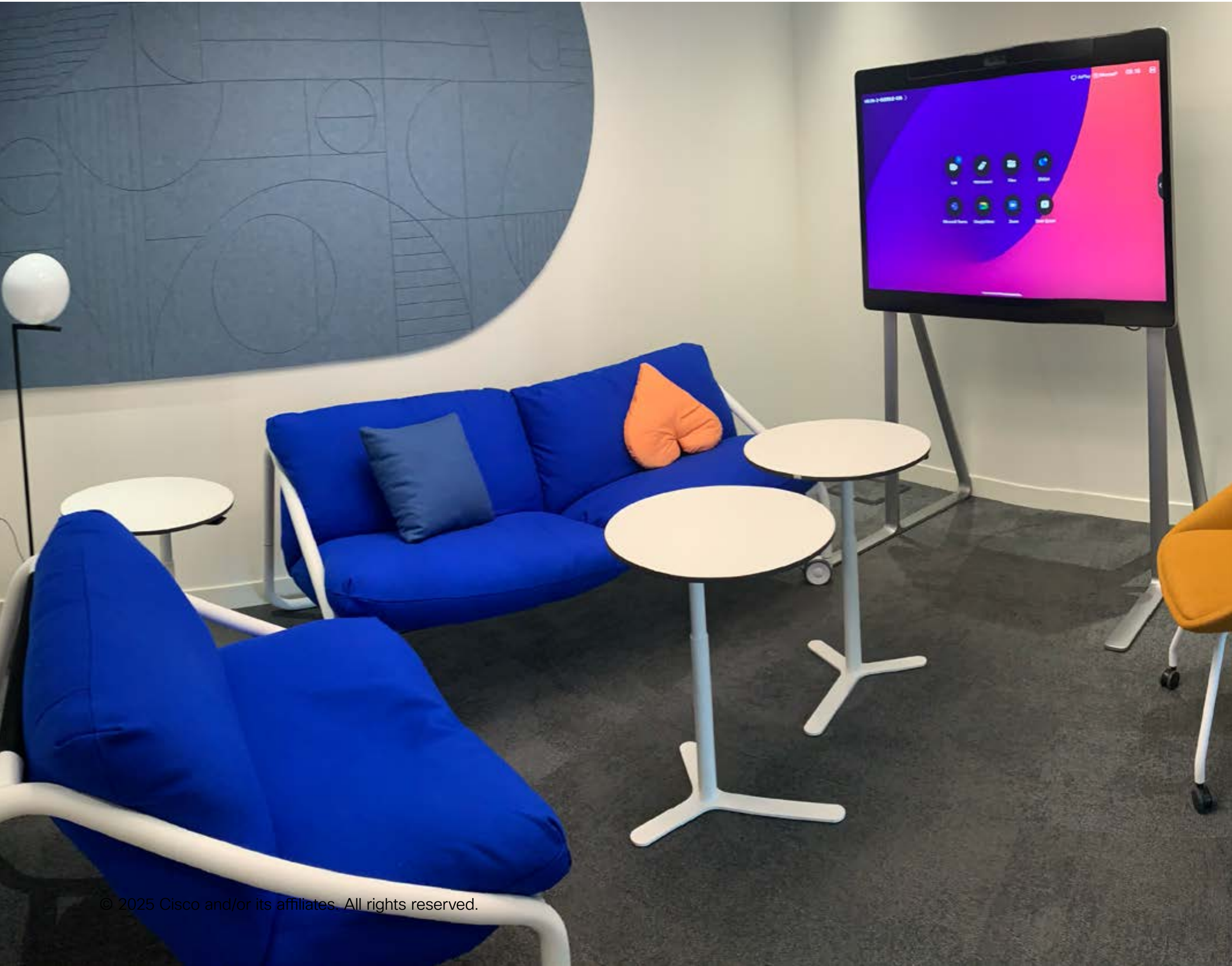
Low back chair on a 4 leg frame and casters  
Base: White  
Finish: Camira Blazer Wesley CUZ82  
640mm W x 825mm H x 595mm D

Allermuir



# Casual Huddle Room

## Room Layout



Note: Floor plan depicts suggested nominal size.



# Brainstorming Huddle Room - Oval

## Overview



Turn a small room into a space for big ideas. The Cisco Board Pro allows users to co-create, share content, or join a video call. The bar height table and chairs change the attendee's posture and encourage people to get up and interact with this all-in-one device.

### Features

- Wall mounted Cisco Board Pro 55
- Bene Delta High Meeting Table
- Vitra Rookie High Stool



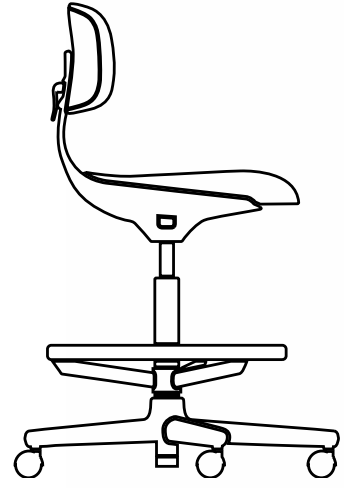
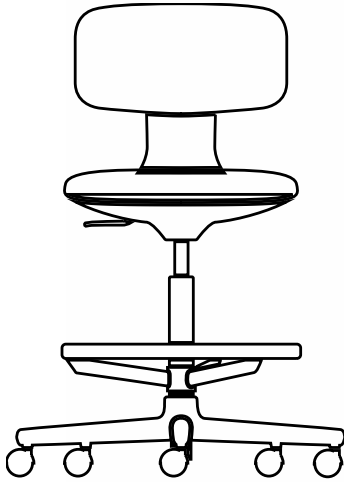


# Brainstorming Huddle Room - Oval

## Components



Vitra Rookie High Stool



Legs: Column with 5 star base and castors  
Base: Soft Grey  
Back Rest: Soft Grey  
Seat Upholstery: Plano 13 - Black / Ice Blue  
685mm W x 965-1260mm H x 685mm D



Bene Delta High Meeting Table



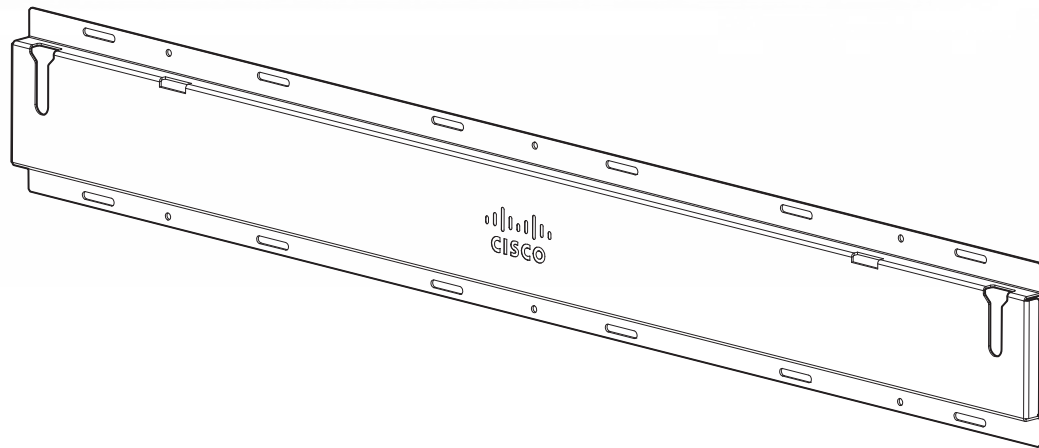
Oval high meeting with soft edge  
Top Surface: Oak Vicenza Melamine (EZ)  
Frame: Oak  
1500mm W x 1069mm H x 900mm D



Cisco Board Pro 55



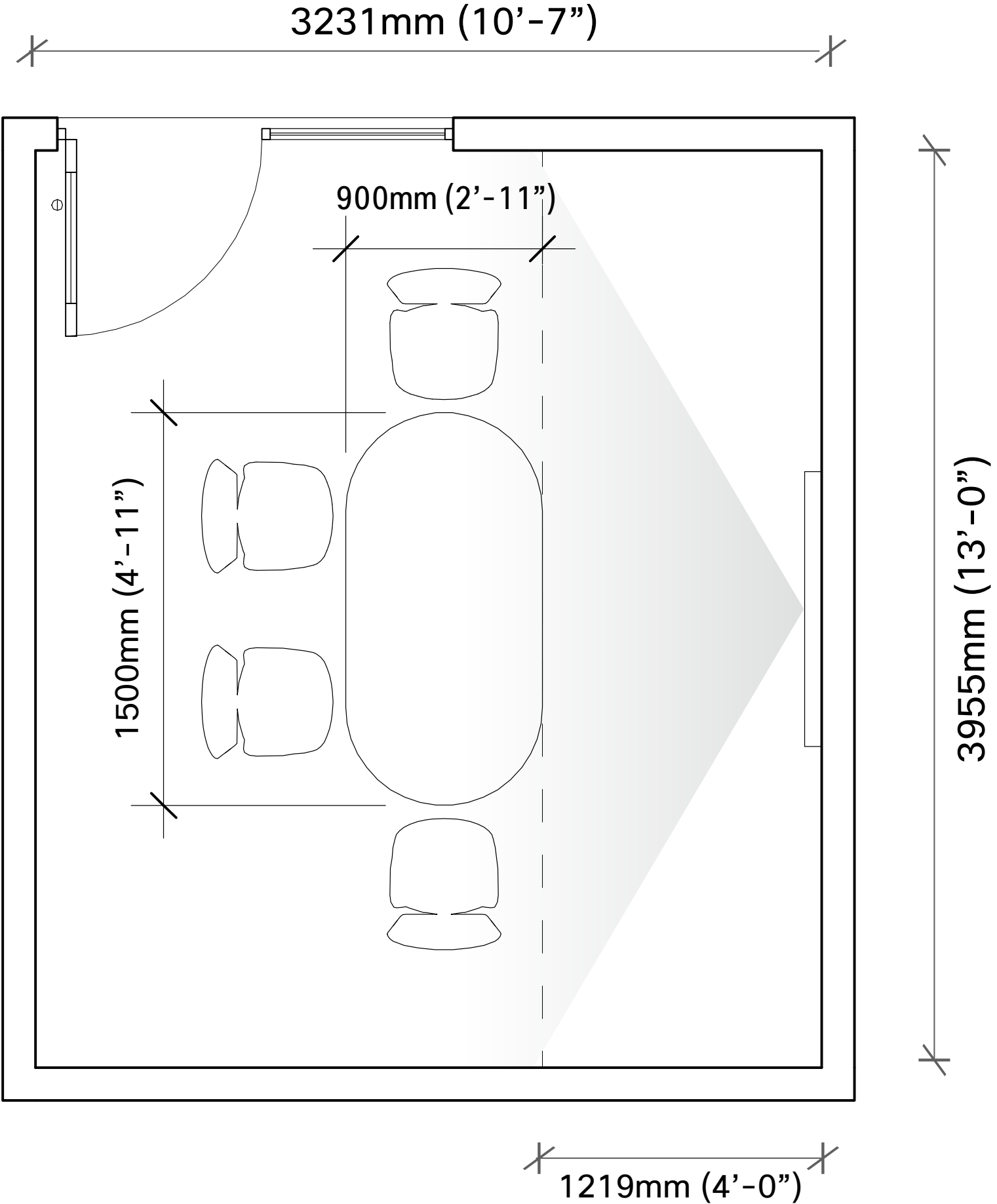
Cisco Board Pro Wall Mounting Kit





# Brainstorming Huddle Room - Oval

## Room Layout



Note: Floor plan depicts suggested nominal size.



# Small Collaboration Room

## Overview



Small groups get work done. These small collaboration rooms are great spaces to bring in-person and remote colleagues together. The tapered surface of the table and 120° field of view of the Cisco Room Bar ensures everyone is in view.

### Features

- Cisco Room Bar
- Single 55" Display (LG, Panasonic, Samsung, or Sony)
- Bene Delta Meeting Table
- Flokk Profim Lightup 250SL Task Chair



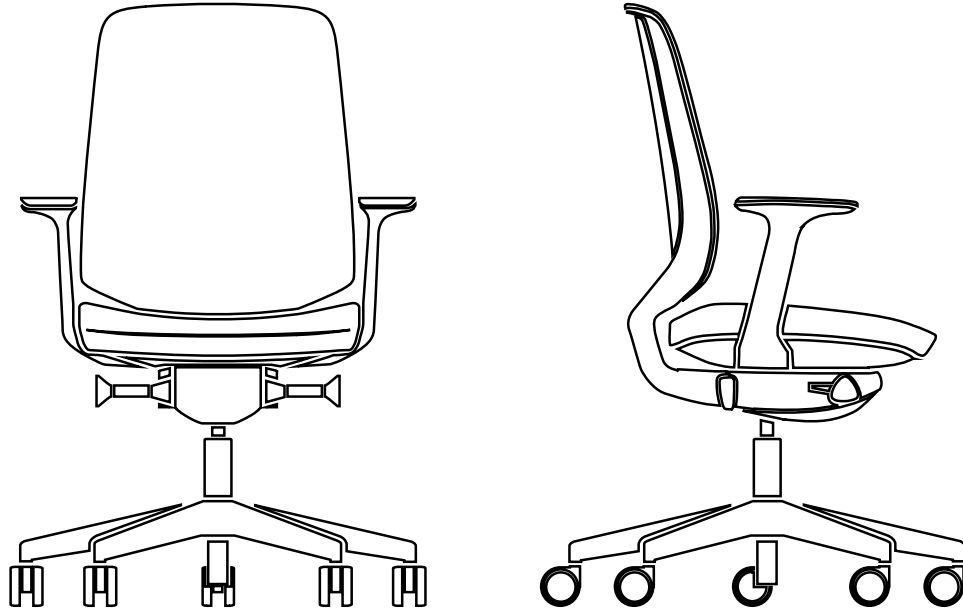


# Small Collaboration Room

## Components



Flokk Profim Light Up 250SL Task Chair



Task chair on 5 star base with castors

Seat Fabric:  
Medley 66009 & Medley 67006

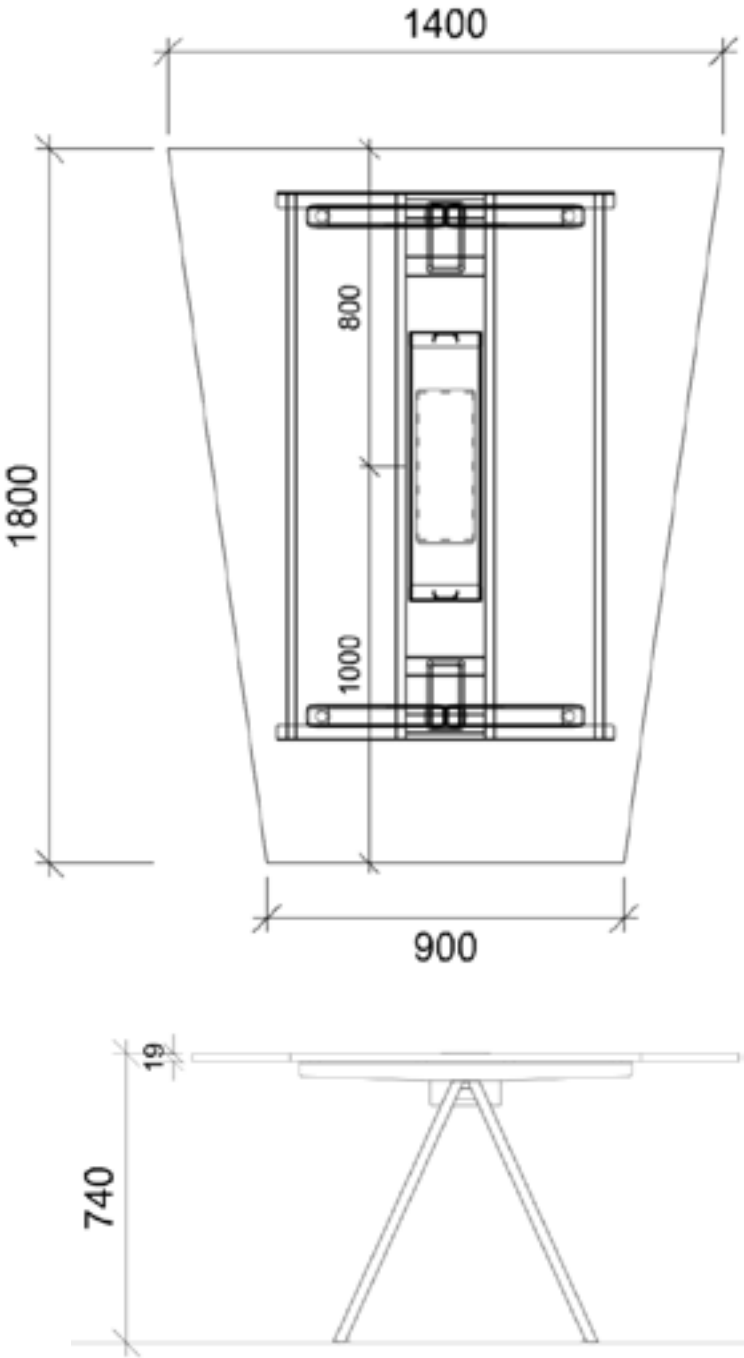
Backrest Finish:  
Light Grey Mesh

Armrests:  
3D Arms

Base Finish:  
Light Grey



Bene Delta Pure Meeting Table



Trapezoidal table with workbench frame 4-leg rectangular pipe

Top Material: Chipboard 19mm

Top Colour: Oak Vicenza melamine (EZ)

Frame Colour: Oak

1800mm W x 740mm H x 1400mm D



Cisco Room Bar



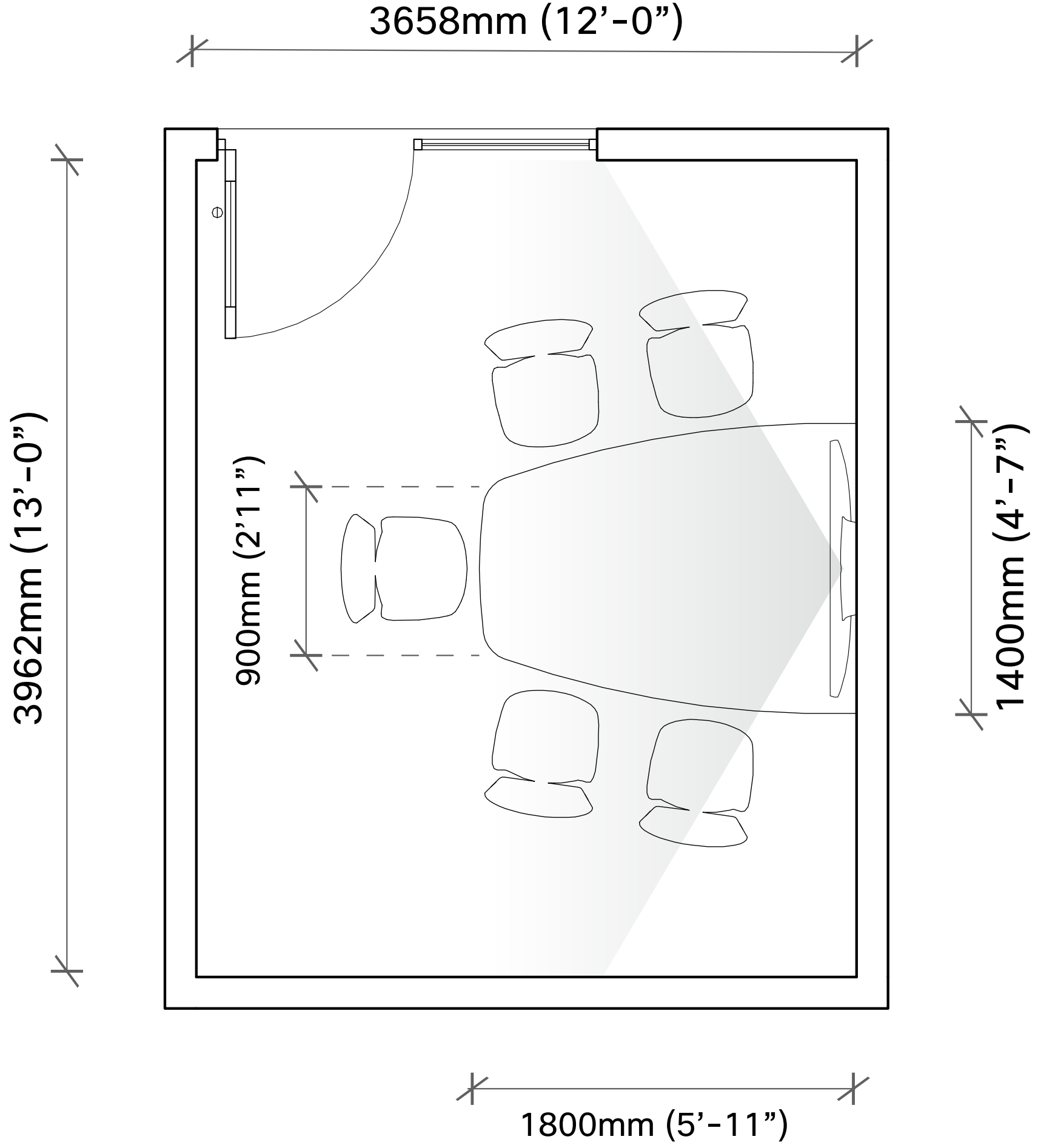
Single 55" display  
(LG, Panasonic, Samsung, or Sony)





# Small Collaboration Room

## Room Layout



Note: Floor plan depicts suggested nominal size.



# Medium Collaboration Room – Dual Display

## Overview



The perfect space to bring people together for knowledge sharing or decision making. The dual 75" displays allows in-room to see content and remote participants simultaneously, and the side mounted Cisco PTZ 4K cameras, in conjunction with the trapezoid shaped table ensures remote participants get the best view all the time.

### Features

- Cisco Room Kit EQX on a Wall Stand with dual 75" displays
- Two (2) Cisco PTZ 4K Cameras supporting Cinematic Meetings Cross View feature
- Vitra MedaMorph Trapezoid-shaped Conference Table
- Andreu World Nuez Chairs





# Medium Collaboration Room - Dual Display

## Components



Cisco Room Kit EQX



CISCO

Dual 75" Displays

(LG, Panasonic, Samsung, or Sony)



LG Panasonic SAMSUNG SONY

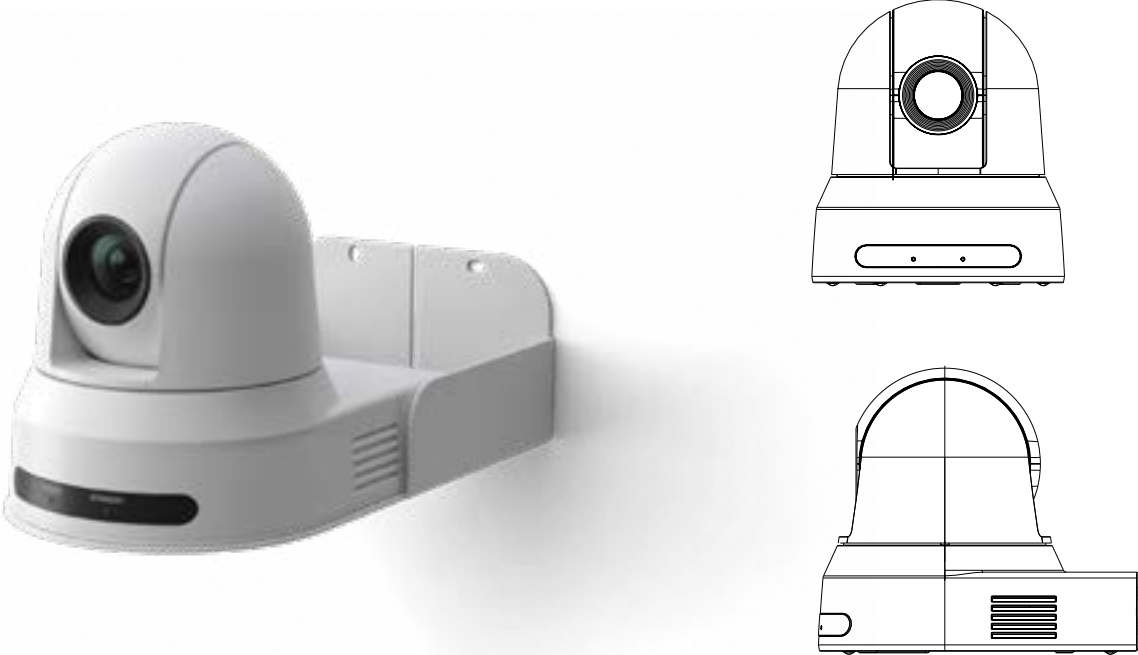
Vitra MedaMorph Trapezoid-shaped Conference Table



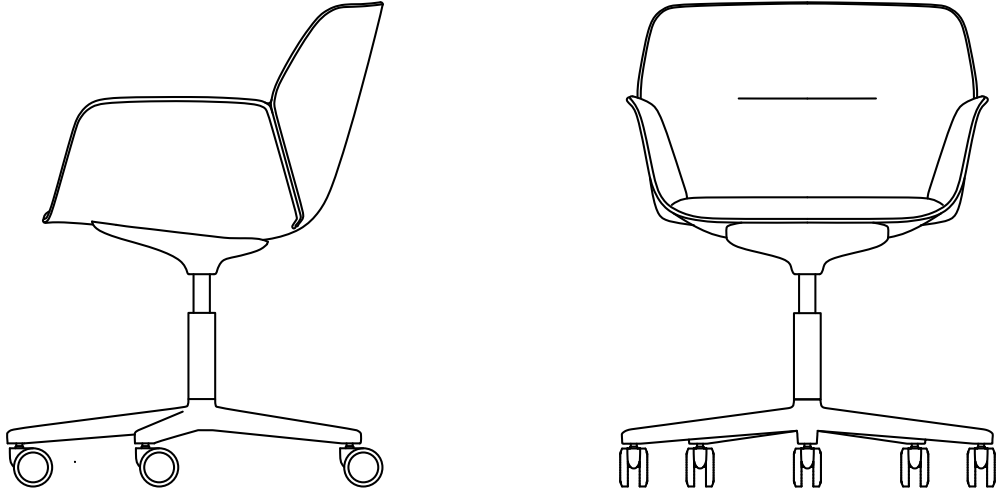
Table Finish: White MFC  
Leg Finish: Polished Chrome

vitra.

Cisco PTZ 4K Camera



CISCO



Andreu World Nuez Chair

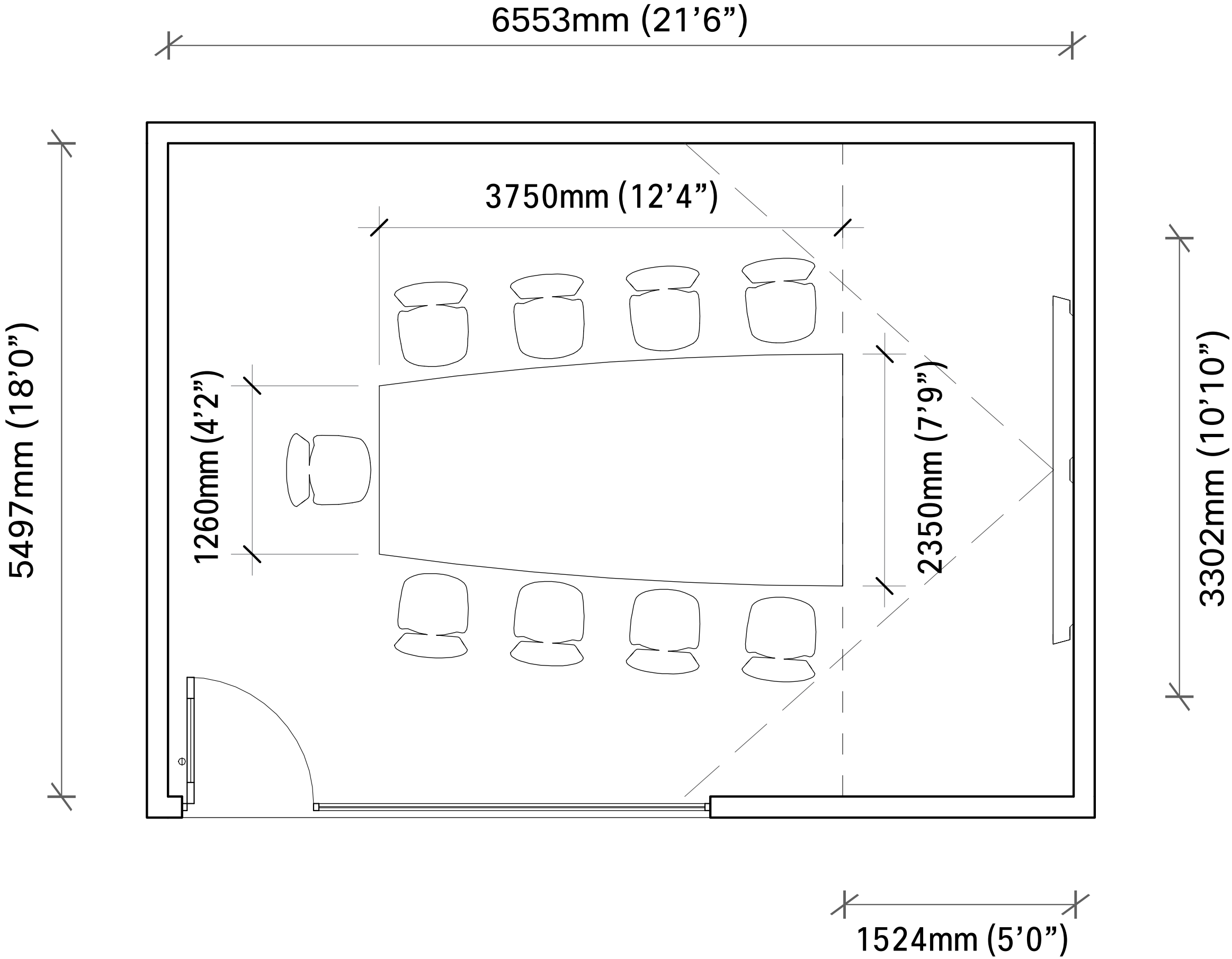
Armrests: Tub  
Base: 5 Star with Castors  
Base Finish: Polished Chrome  
Shell Finish: White  
Upholstery: Gabriele Medley 66009  
675mm W x 745mm H x 675mm D

Andreu World



# Medium Collaboration Room - Dual Display

## Room Layout





# Medium Collaboration Room – Video Centric

## Overview



The video-centric collaboration room is ideal for decision-making meetings. The horizontal table creates the effect of everyone sitting around a table. Dual 65" displays ensure that remote participants, as well as content, can be seen by all.

### Features

- Cisco Room Bar Pro with dual 65" displays, wallmounted
- Vitra MedaMorph Table
- Andreu World Nuez Chairs





# Medium Collaboration Room – Video Centric

## Components



Cisco Room Bar Pro



Vitra MedaMorph Boat-shaped Conference Table



Table Finish: White MFC  
Leg Finish: Polished Chrome  
3200mm (10'-6") x 1700mm (5'-6") Boat Shaped

Dual 65" Displays

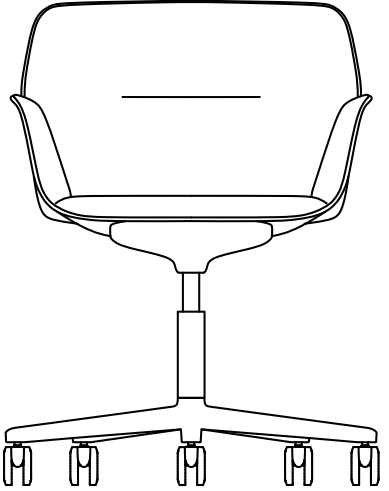
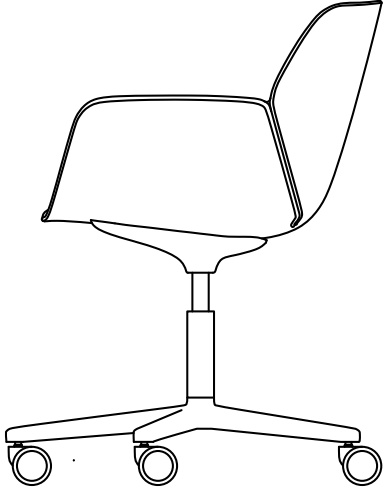
(LG, Panasonic, Samsung, or Sony)



CISCO

vitra.

Andreu World Nuez Chair



Armrests: Tub  
Base: 5 Star with Castors  
Base Finish: Polished Chrome  
Shell Finish: White  
Upholstery: Gabriele Medley 66009  
675mm W x 745mm H x 675mm D

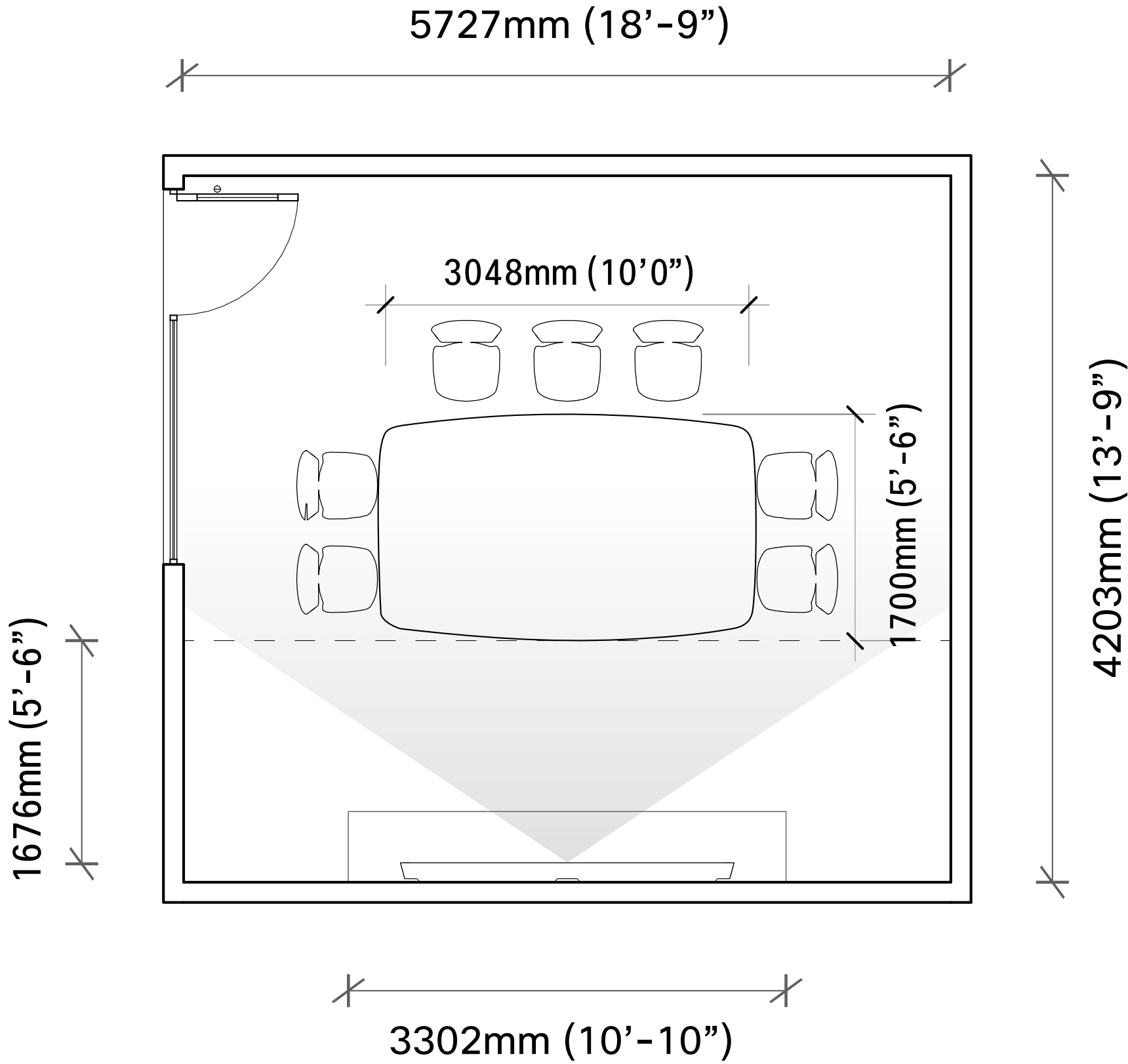
LG Panasonic SAMSUNG SONY

Andreu World



# Medium Collaboration Room – Video Centric

## Room Layout



Note: Floor plan depicts suggested nominal size.



# Training Room

## Overview



Designed for delivering true hybrid learning events, this training room leverages two large displays, multiple cameras, and a Cisco Device feature called “Classroom Mode” to provide an unparalleled experience to all participants.

The solution supports multiple learning scenarios, including local presenter, remote presenter, and discussion mode.

### Features

- Cisco Room Kit Pro with Dual 98” Displays (LG, Panasonic, Samsung, or Sony)
- Cisco Ceiling Microphones
- Rear mounted Cisco PTZ 4K Camera
- Rear mounted 65” display
- Third-party 6.5” ceiling speakers and amplifier
- Pedrali Tweet Stackable Chairs





# Training Room Components



### Pedrali Tweet 894 Chair

Base: Sled

Base Finish: Aluminium

Table Finish: Black

Upholstery: Semi 4424 - Blue

530mm W x 805mm H x 520mm D

### Cisco Board Pro 75



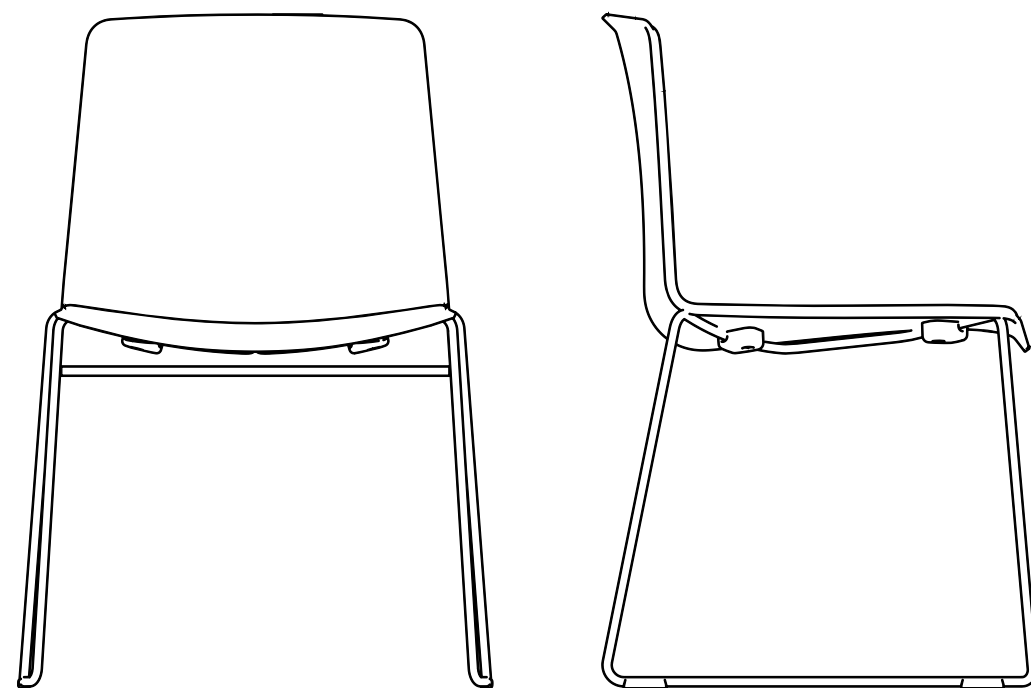
### Cisco Room Kit Codec Pro



### Dual 98" Displays



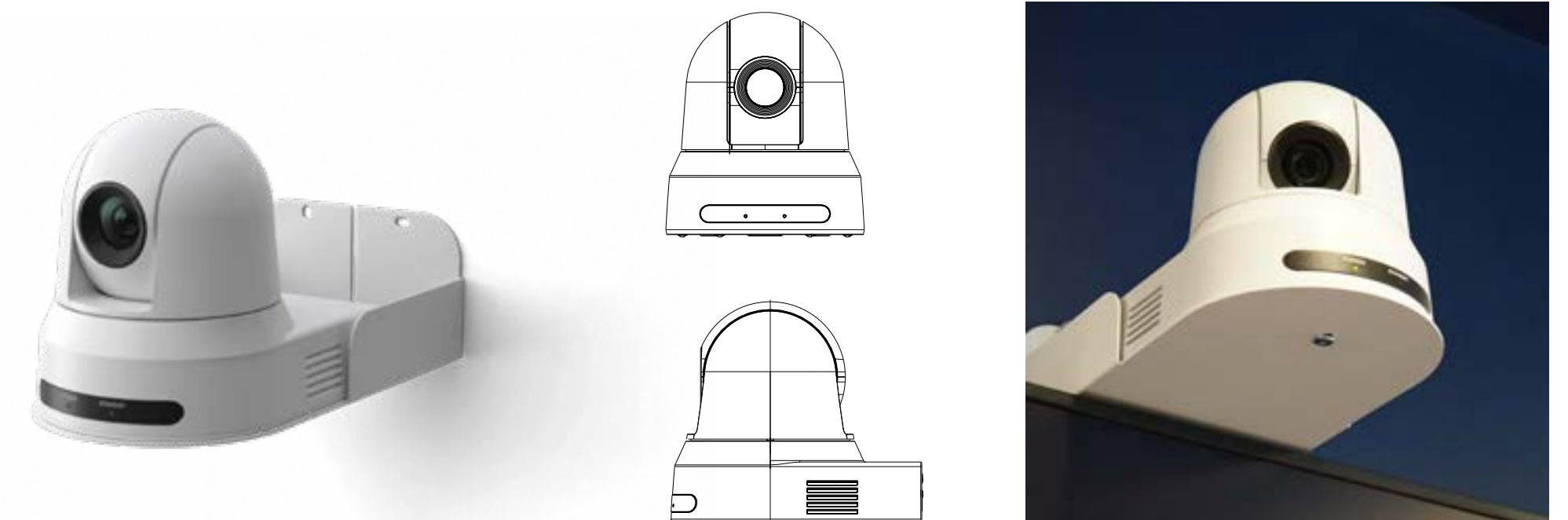
(LG, Panasonic, Samsung, or Sony)



### Cisco Ceiling Microphones



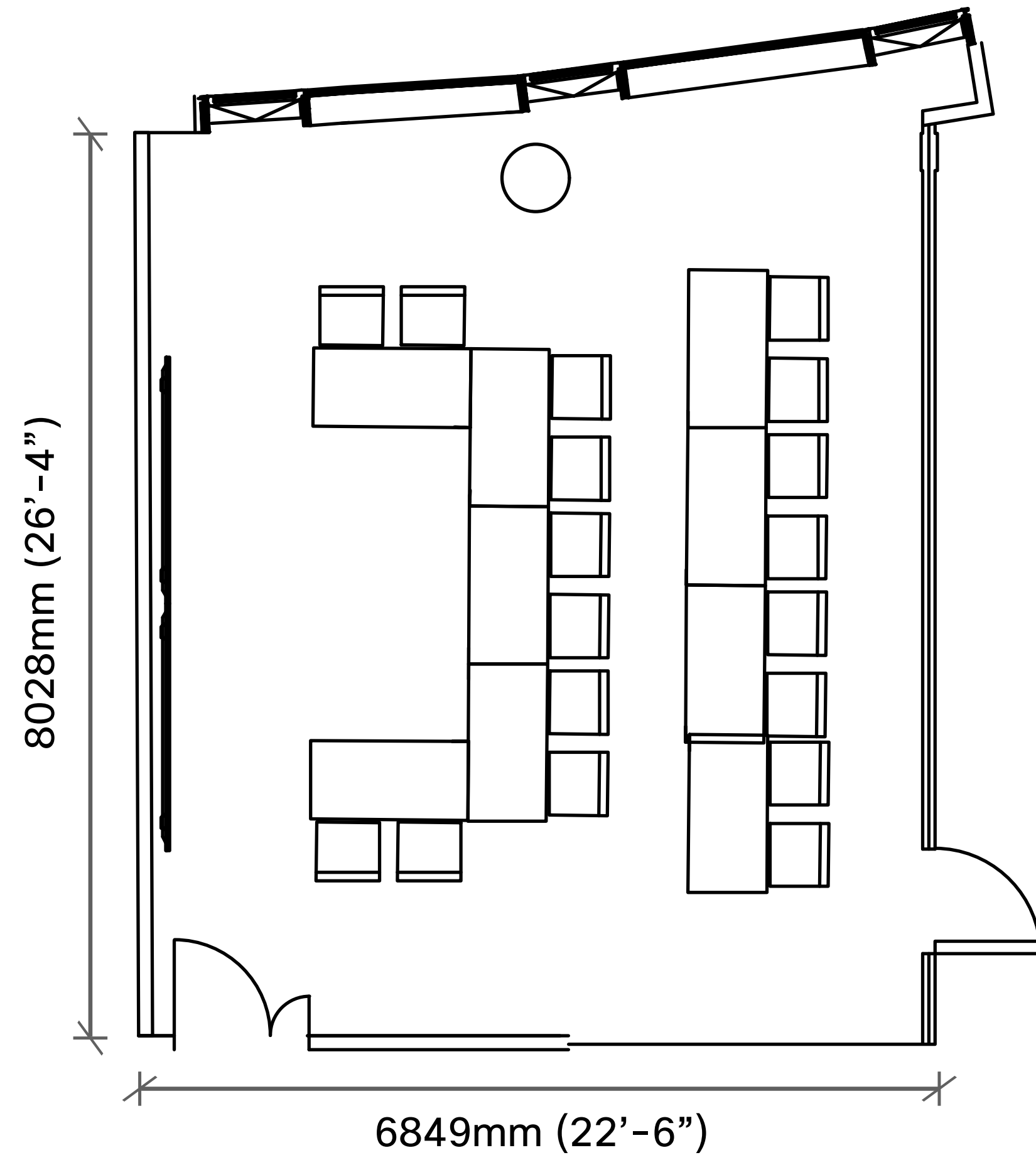
### Cisco PTZ 4K Camera





# Training Room

## Room Layout



Note: Floor plan depicts suggested nominal size.



## Resources

[Cisco.com](#)

[Cisco Workspaces](#)

[Best Practices for Creating Effective Video-enabled Rooms](#)

[Cisco Room Bar Pro Data Sheet](#)

[Cisco Room Kit EQX Data Sheet](#)

[Cisco Room Kit EQX Room Preparations Guide](#)

[Cisco Room Kit EQX Installation Guide](#)

© 2025 Cisco and/or its affiliates. All rights reserved. Cisco, the Cisco logo, Webex by Cisco, and Webex are trademarks or registered trademarks of Cisco and/or its affiliates in the U.S. and other countries. To view a list of Cisco trademarks, see the Trademarks page on the Cisco website. Third-party trademarks mentioned are the property of their respective owners. The use of the word “partner” does not imply a partnership relationship between Cisco and any other company. (2106R)

The intent of this document is to highlight the details, components and partners used in the creation of this office. Any reference herein to any specific commercial products or service does not necessarily constitute or imply its endorsement or recommendation.

Version 15 (January 23, 2025) © 2025 Cisco and/or its affiliates. All rights reserved.