



Smart Building Technology
and Hybrid Work Solutions

Cisco Talent and Collaboration Centers

Small Brainstorming Space Guide



Introduction

Overview and Intent

This document provides guidance on creating the Small Brainstorming Room, including space design, technology, and furnishings.

The intent of these Cisco Design Guides is to help organizations drive a repeatable and standardized approach to deploying collaboration spaces, leading to lower implementation costs, quicker deployments, reduced solution complexity, and easier maintenance and support. Most importantly, the designs outlined in these documents will deliver an amazing experience for both in-person users of the space, as well as those participants connecting remotely.

The specifications and details in this document reflect how Cisco has approached the creation of these types of spaces in our own office environments. This should not be interpreted as a “validated design.” Every project is different, therefore, assembling a multi-disciplined team of experts is critical to ensure success. This includes, but is not limited to, internal IT and facilities teams, architects and space designers, acousticians and lighting designers, and a Cisco-certified integrator. These individuals need to be brought in at project inception to understand end-user requirements, assess the technical environment, and evaluate the attributes of the specific space, including overall layout, physical structure, accessibility, acoustics, electrical and mechanical systems, and external factors such as noise, light and temperature.

Room Description

The Small Brainstorming Space comes in two different furniture configurations: standard height and counter or bar height. This space can be deployed both in an enclosed room or in the open plan.

Regardless of the deployment approach, the Cisco Board Pro 55 is the proper device for the space, enabling video calling, sharing of content, and whiteboarding/co-creation.

Supported Collaboration Activities

Information Sharing	✓
Brainstorming	✓
Team Building	
Decision Making	✓

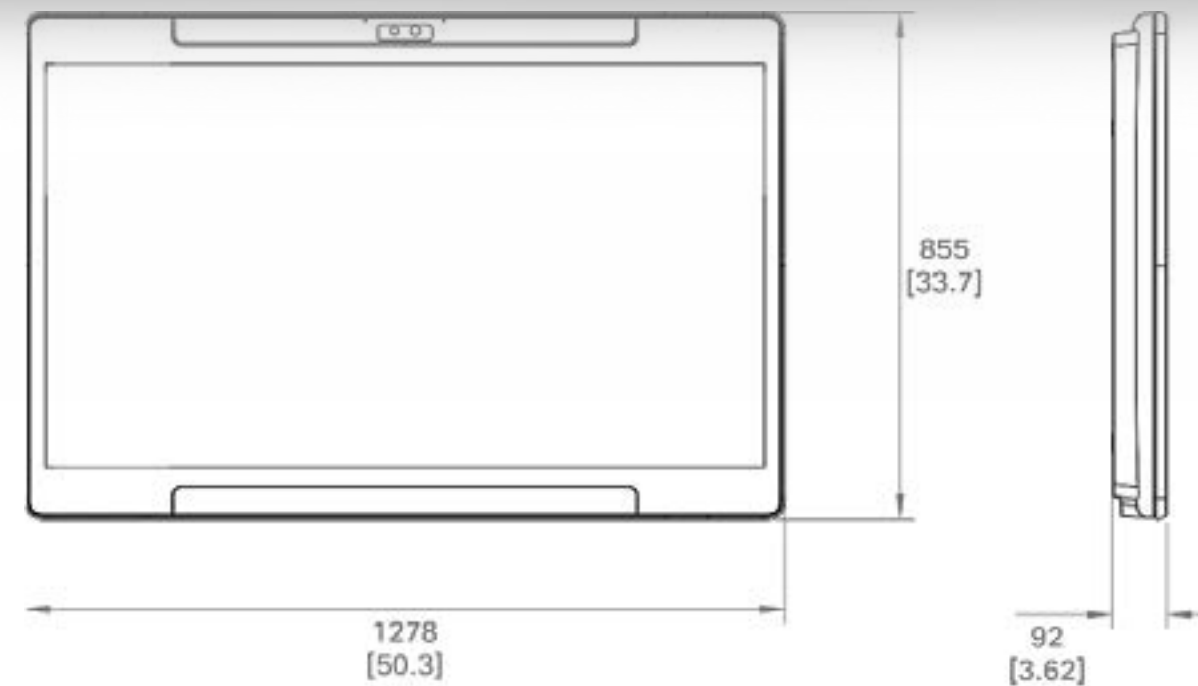
Table of Contents

- ▶ Introduction 2
- ▶ Visualization of key Cisco elements 3
- ▶ Video Device Mounting Options 4
- ▶ Composite Plan 5
- ▶ Room Layout 6
- ▶ Reflective Ceiling Plan 7
- ▶ Room Elevations - Standard Height Furniture Option 8
- ▶ Room Elevations - Counter or Bar Height Furniture Option 9
- ▶ Acoustical Treatment 10
- ▶ Power & Data 11
- ▶ Exploded IT Diagram 12
- ▶ Connectivity View 13
- ▶ IT/OT Reference Architectures 14
- ▶ IT/OT Bill of Material 15
- ▶ Commissioning-User Acceptance Testing Criteria 16
- ▶ Design Files & Resources 17

Visualization of key Cisco elements

Cisco Board Pro 55

Adjustable mount recommended



Cisco Room Navigator for Wall

Optional



Cisco Room Navigator for Table

Optional





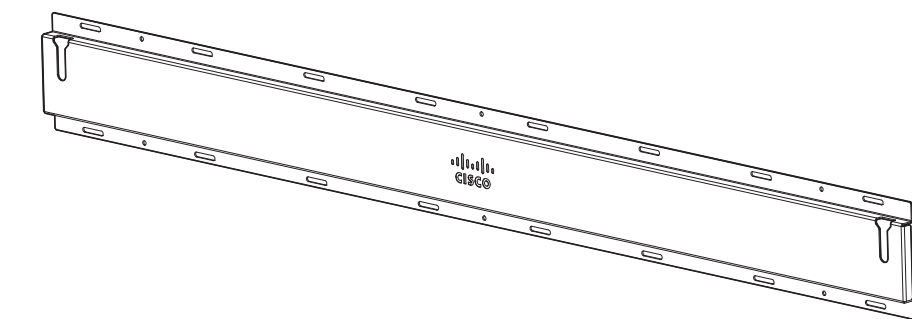
Video Device Mounting Options

Standard Height

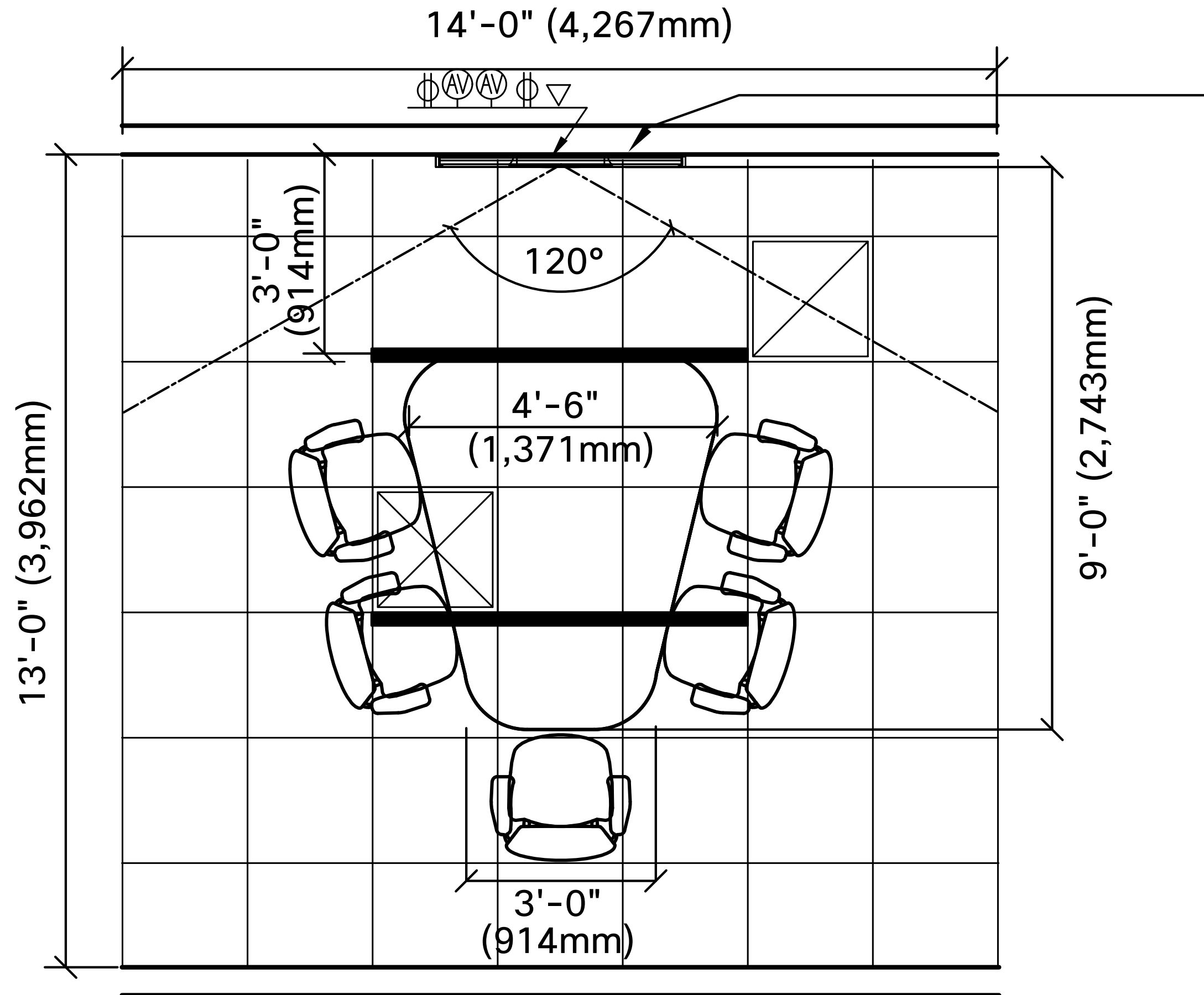
If the wall is blocked, the optimal solution is to use a manual or electric adjustable mount, allowing end users to use the device in both a standing and seated position. If the wall is not blocked, then there are floor stand units that sit directly on the floor, and are tethered to the wall, which address this issue. If the device will only be used in a standing position, the wall mount kit from Cisco is the best solution.

Counter and Bar Height

With a table height greater than 36" (91 cm), the best option is to mount the device directly to the wall using the Cisco Board Pro 55 Mounting Bracket. This approach requires the wall to be blocked and electrical and data to be elevated; if this is not possible, a low profile, A/V compatible credenza can be used to deploy to support the device.

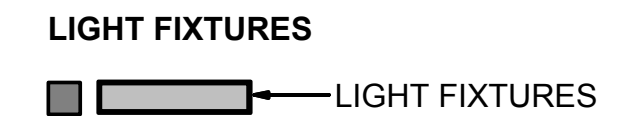
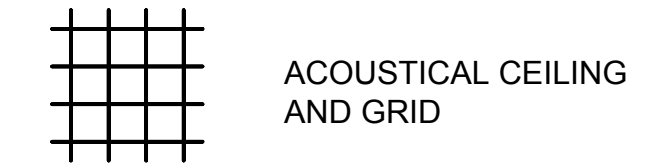


Composite Plan



CISCO BOARD PRO 55
DISPLAY, WALL MTD'D.
OR W/ "EZ-LIFT
(SEE ELEVATIONS)

Graphics Symbols



FURNITURE SYSTEMS version DEVICES



POWER AND COMMUNICATION

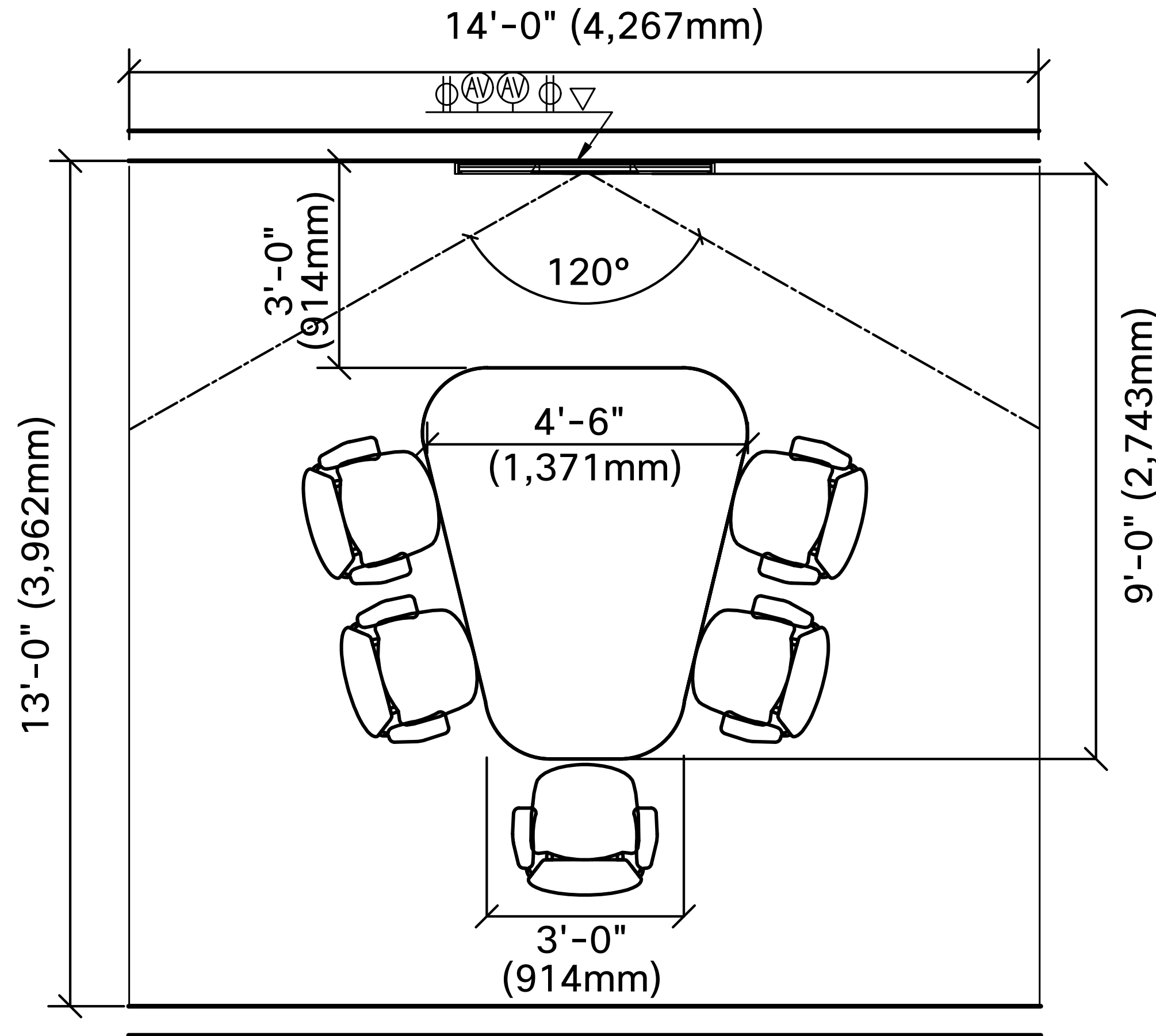
WALL / CEILING / FLOOR version DEVICES



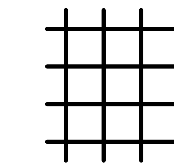
Room Layout



The furniture shown in this design is there to indicate the scale of the space. The selection of specific furniture elements should be based on local preference and how the room is planned to be used.



Graphics Symbols



ACOUSTICAL CEILING
AND GRID



HVAC DIFFUSERS (T.B.D.) -
SHOWN AS EXAMPLE ONLY

LIGHT FIXTURES



LIGHT FIXTURES

FURNITURE SYSTEMS version DEVICES



DUPLEX RECEPTACLE



DATA RECEPTACLE

POWER AND COMMUNICATION

WALL / CEILING / FLOOR version DEVICES



DUPLEX RECEPTACLE



DATA RECEPTACLE



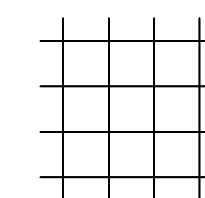
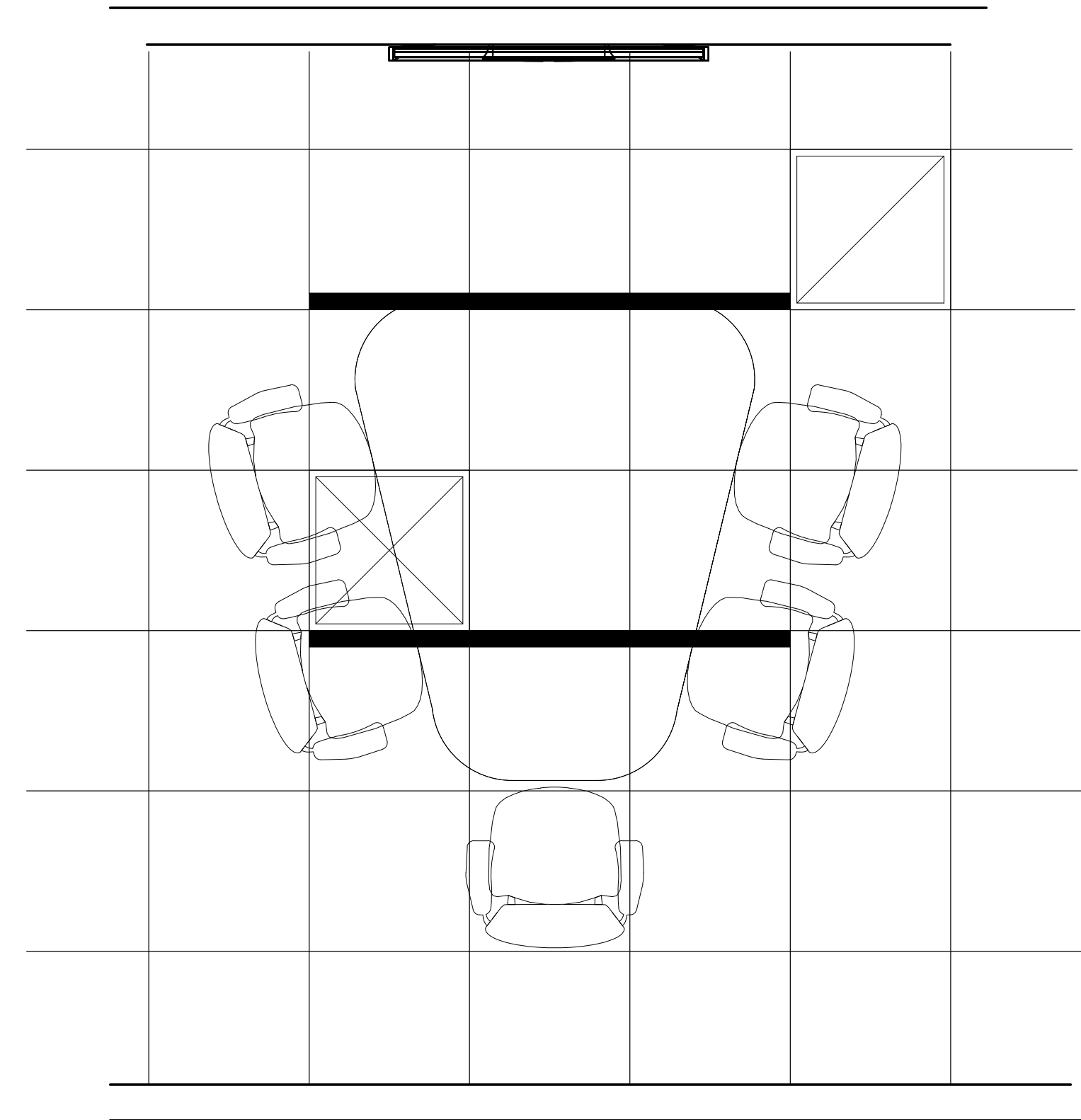
LIGHT SWITCH



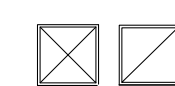
AV RECEPTACLE



Reflective Ceiling Plan



ACOUSTICAL CEILING
AND GRID



HVAC DIFFUSERS (T.B.D.) -
SHOWN AS EXAMPLE ONLY

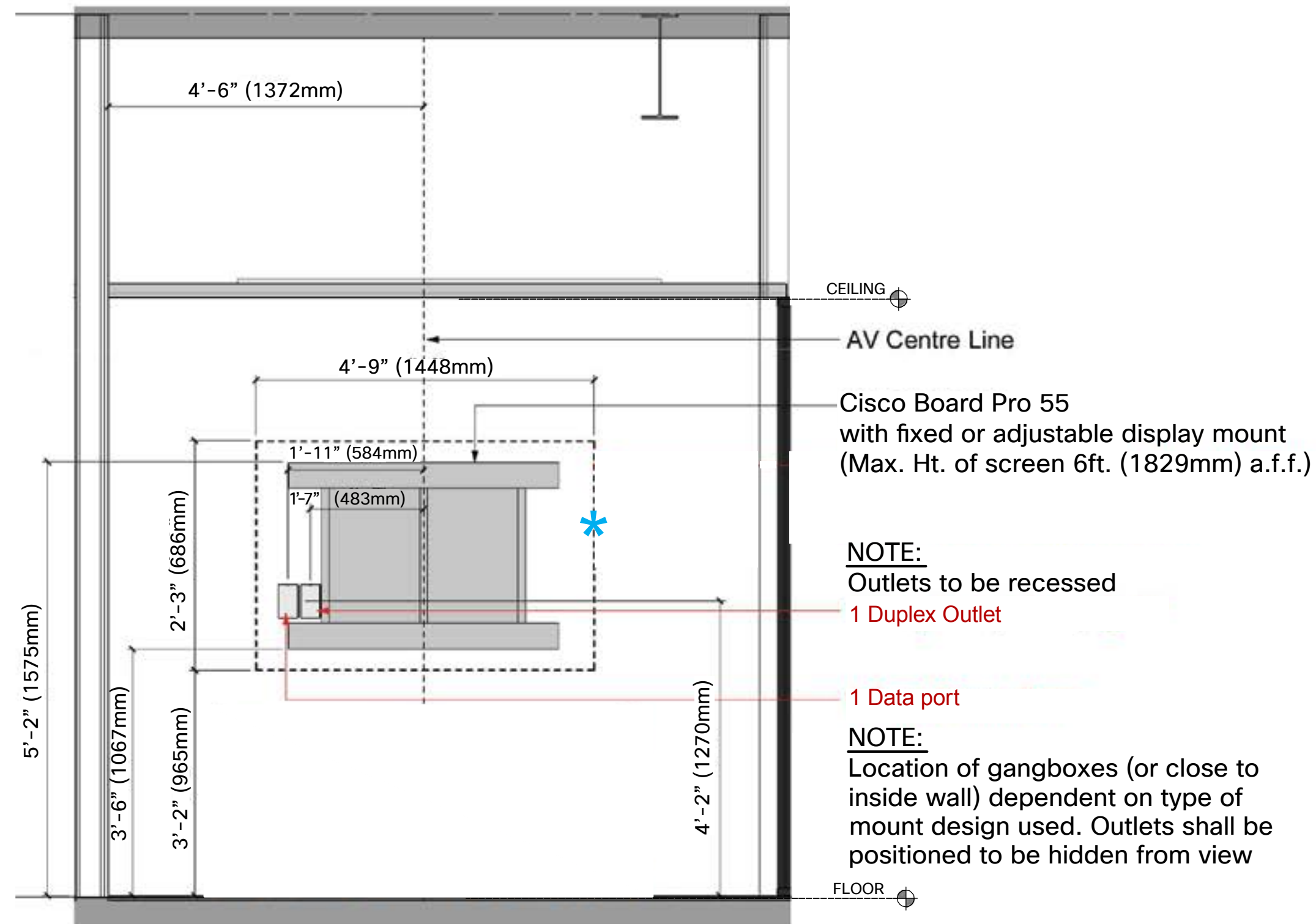
LIGHT FIXTURES



← LIGHT FIXTURES

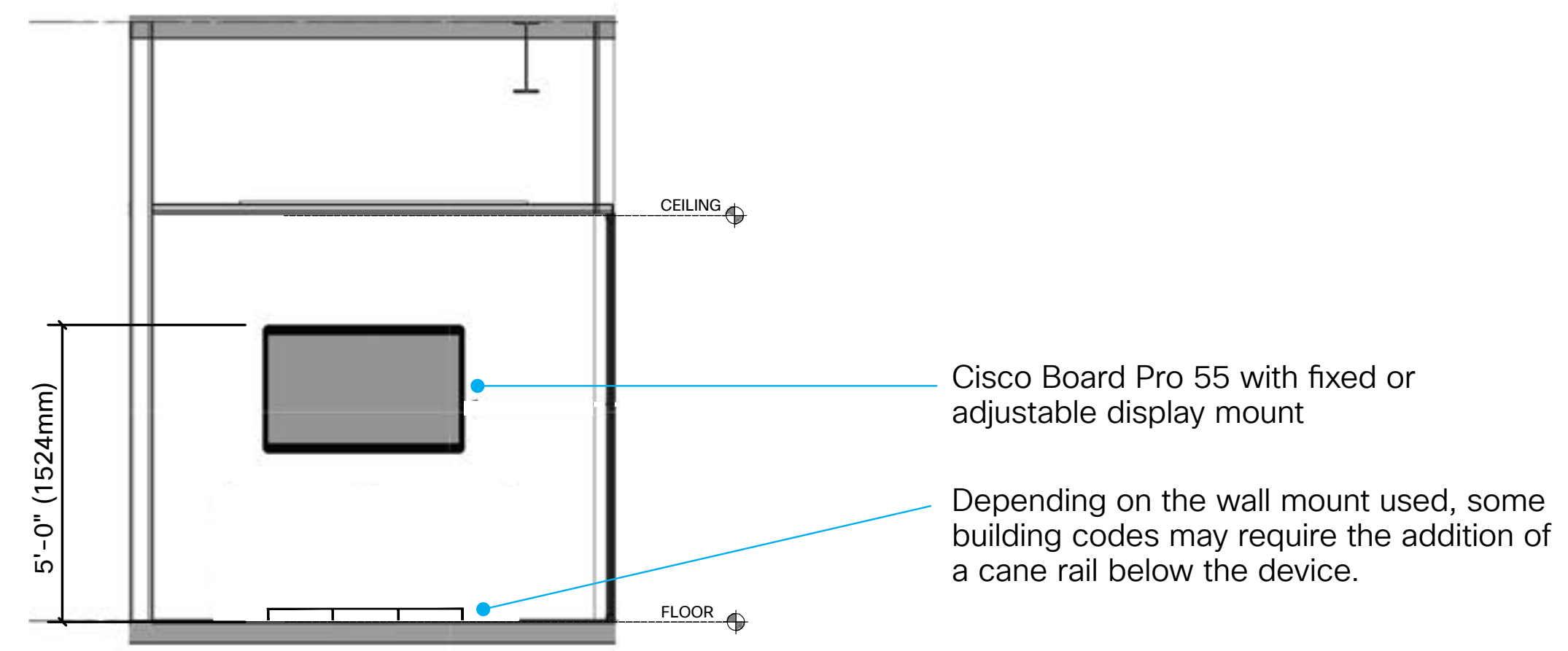
Room Elevations - Standard Height Furniture Option

Construction Elevation

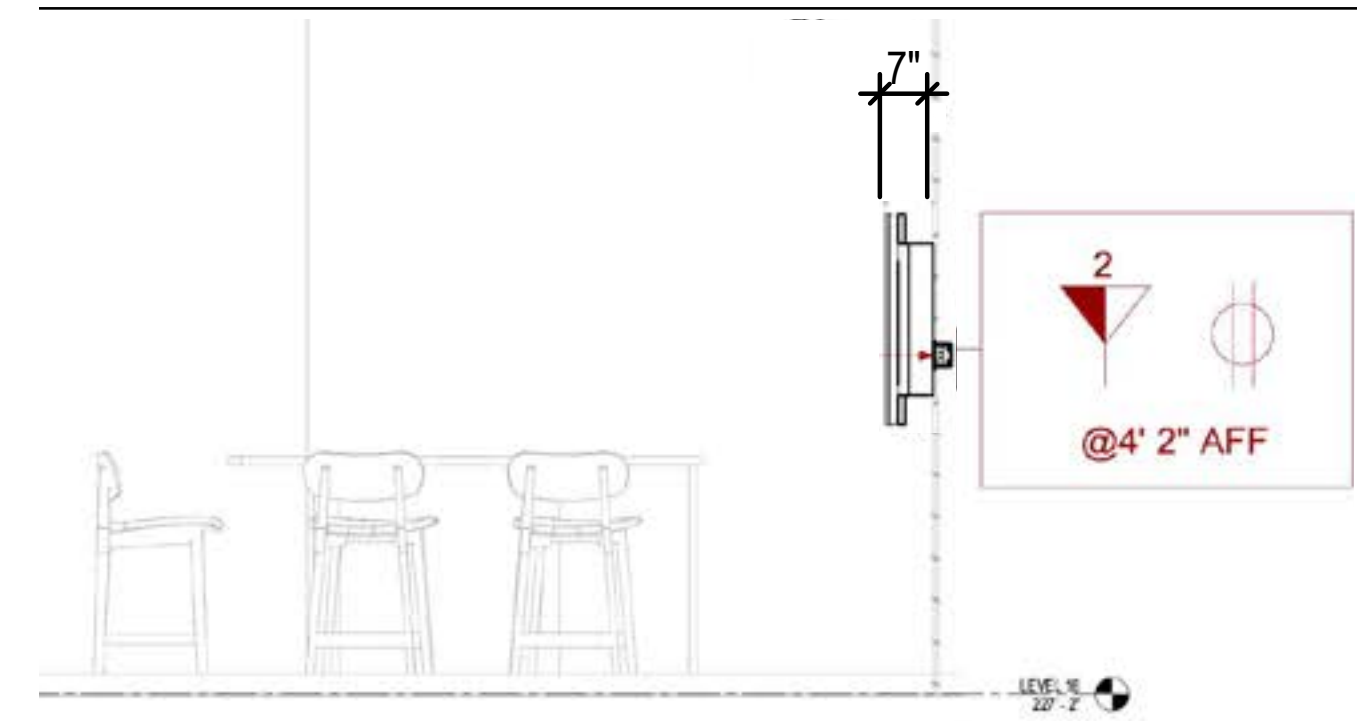


* 11-Ply (or similar approved), prior to screen installation. Steel fixings must be able to support screen specifications. Wall should be made good to match existing wall finish.

Front Elevation

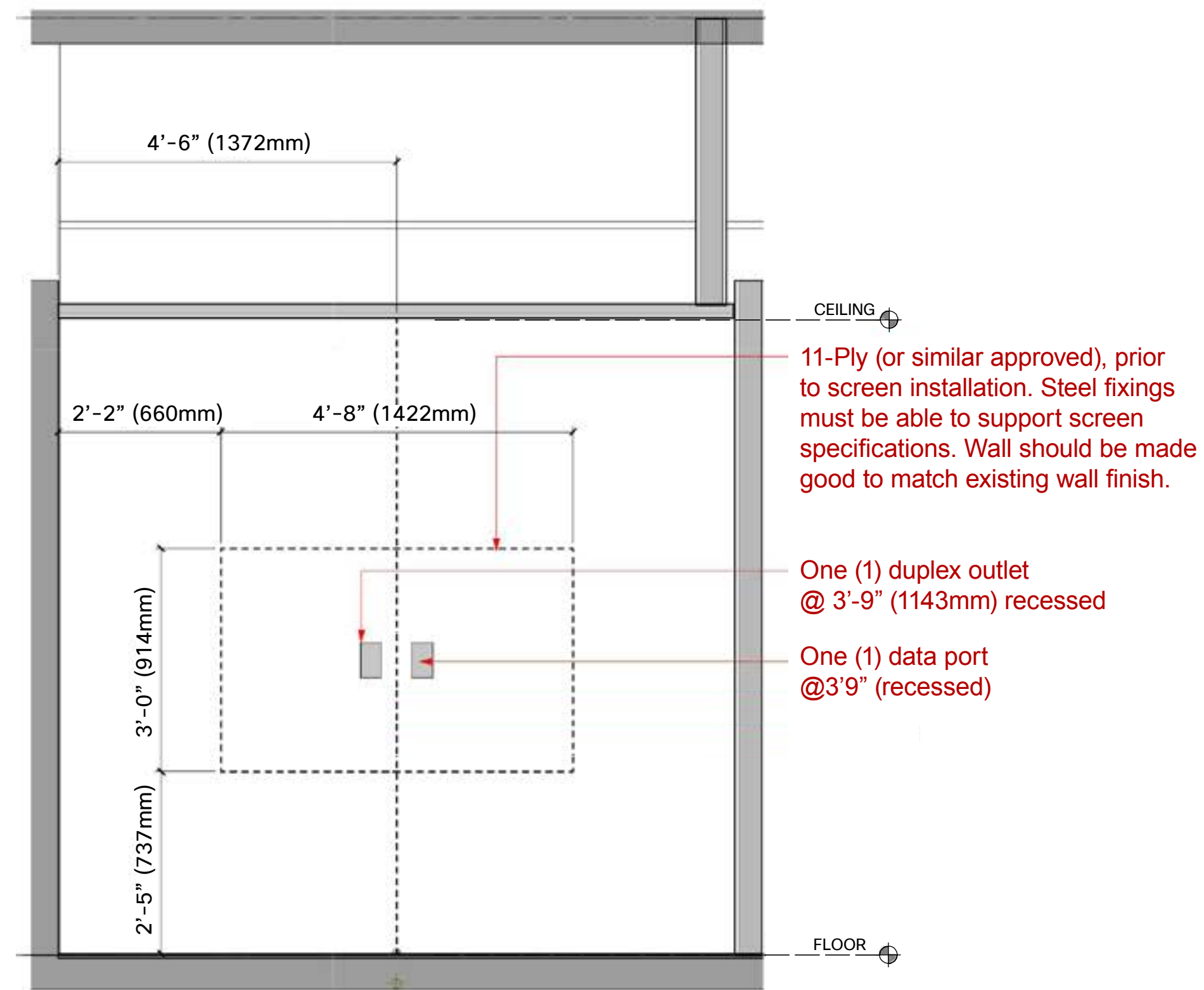


Side Elevation

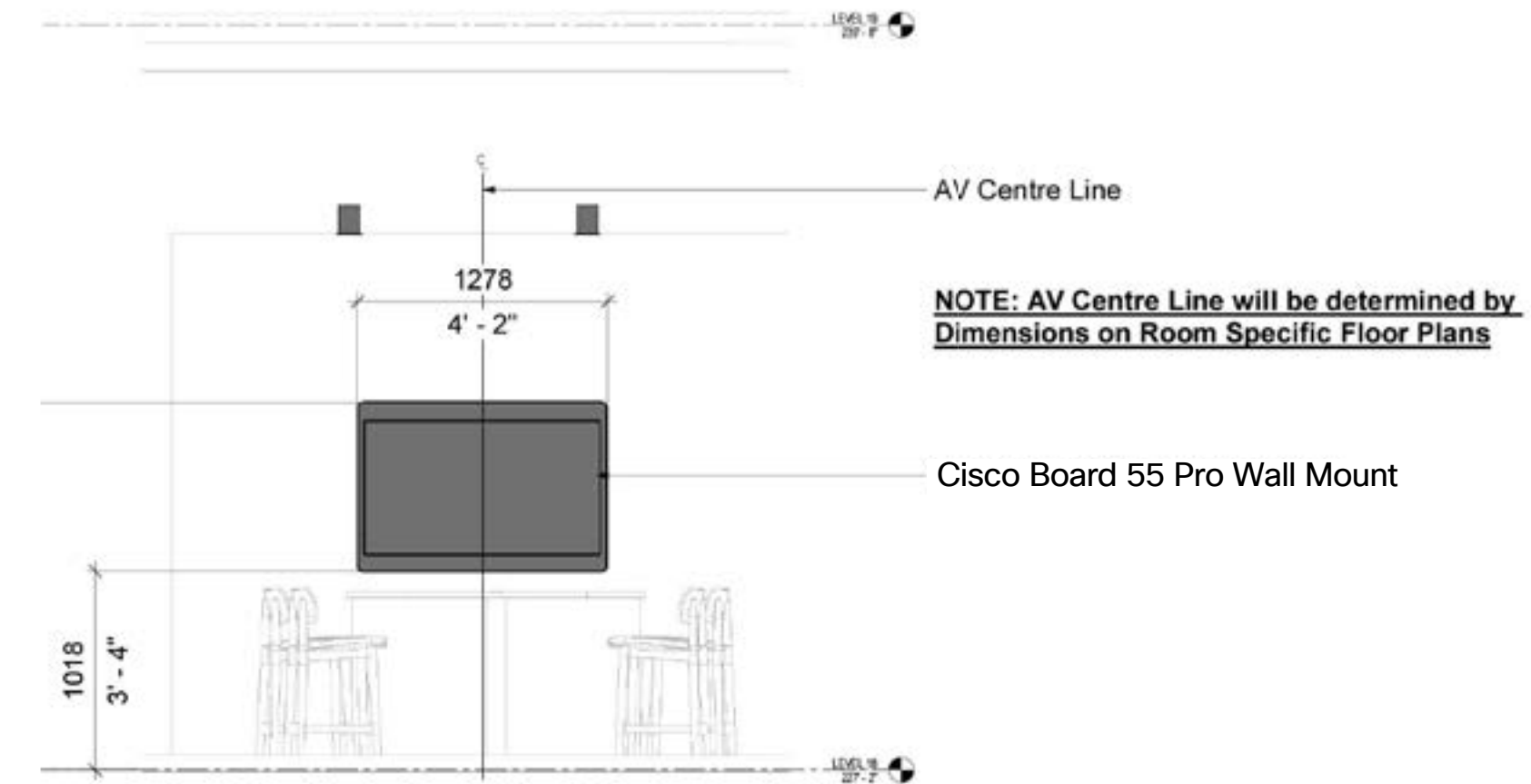


Room Elevations - Counter or Bar Height Furniture Option

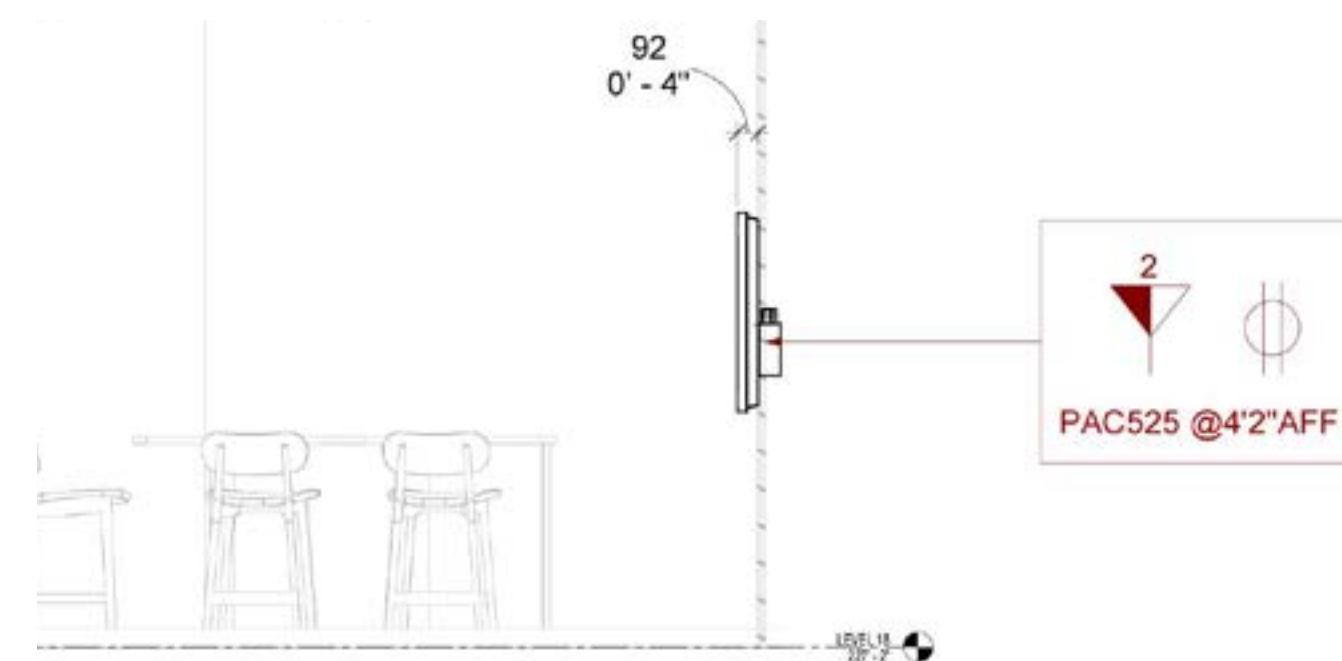
Construction Elevation



Front Elevation

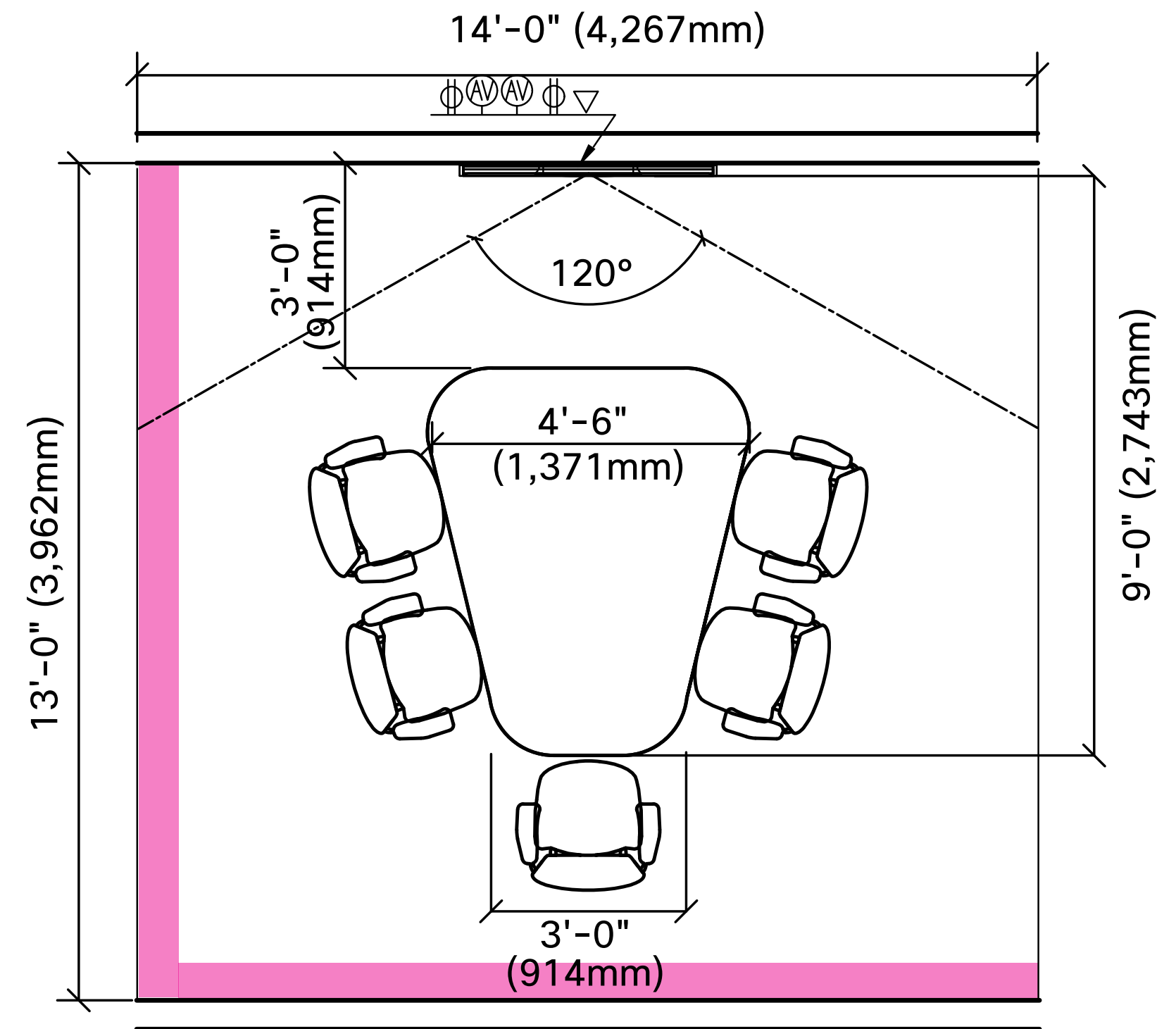


Side Elevation





Acoustical Treatment



- Acoustic recommendations are made assuming this Innovation Suite is deployed as an enclosed room. If the space is in the open plan please consult an acoustic specialist to determine how best to optimize the space.



Power & Data

General Specifications

Power and data requirements need to be verified for each project. Provide video device power and data even if the project plan does not include it on day one. Based on the design of this space, core drills and floor boxes will not be required.

Power & Data

Provide one (1) duplex power outlet and one data receptacle with two (2) ethernet ports on the wall behind the video device. Their location is dependent on the mounting option selected. Specific locations should be confirmed with the mounting provider.

Exploded IT Diagram



Cisco Room Navigator for Table (Optional)

The recommended approach is to connect the table stand Cisco Room Navigator directly to the Cisco Room Bar using a network cable (requiring core drilling).. The two can also be connected over the IT network if an ethernet port is available under the table.

Cisco Room Navigator for Wall (Optional)

It is recommended to run the cable inside the wall or through the door frame directly back to a network switch.

Table Top Charging

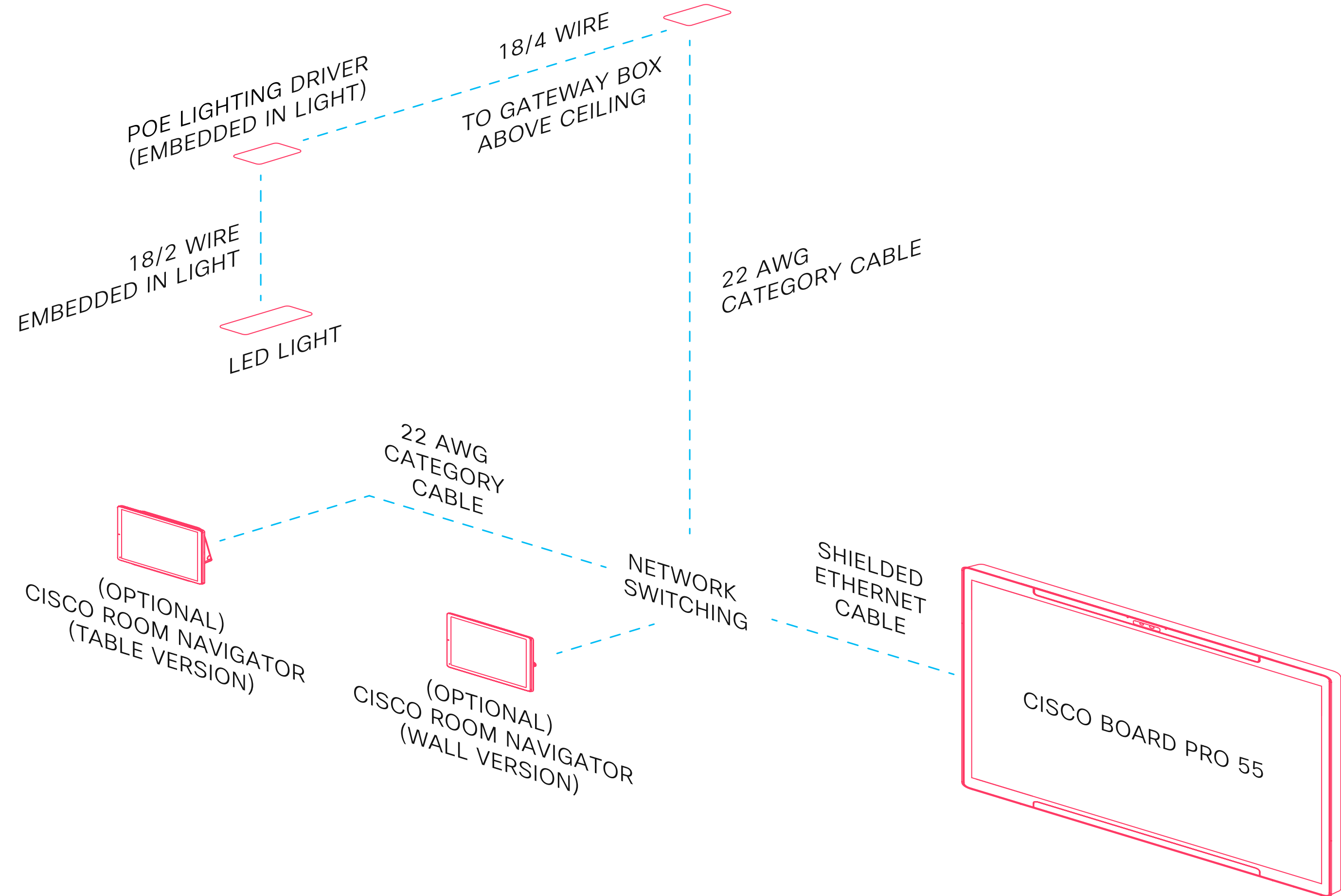
USB-C charging and convenience outlets on table top. Ensure the size of the trough and layout can accommodate a variety of laptop power supplies.

Wall Blocking

Required when the device is wall-mounted. The size and composition of blocking materials should be determined based on the overall weight of the solution deployed.

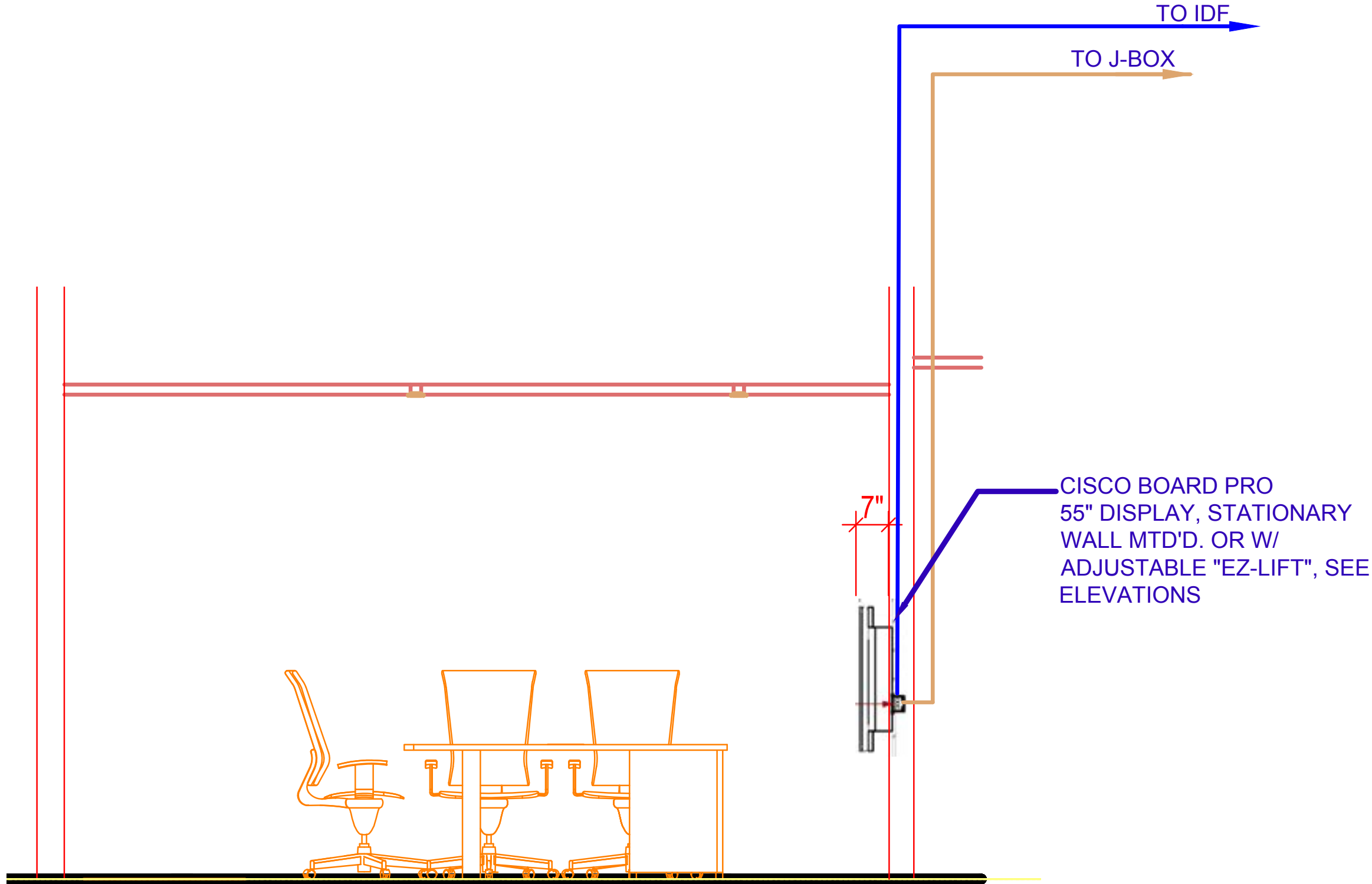
Core Drilling

Not required unless HDMI/USB-C cables are present for content sharing, and/or if a Cisco Room Navigator for Table is used and directly connected to the Cisco Board Pro 55.



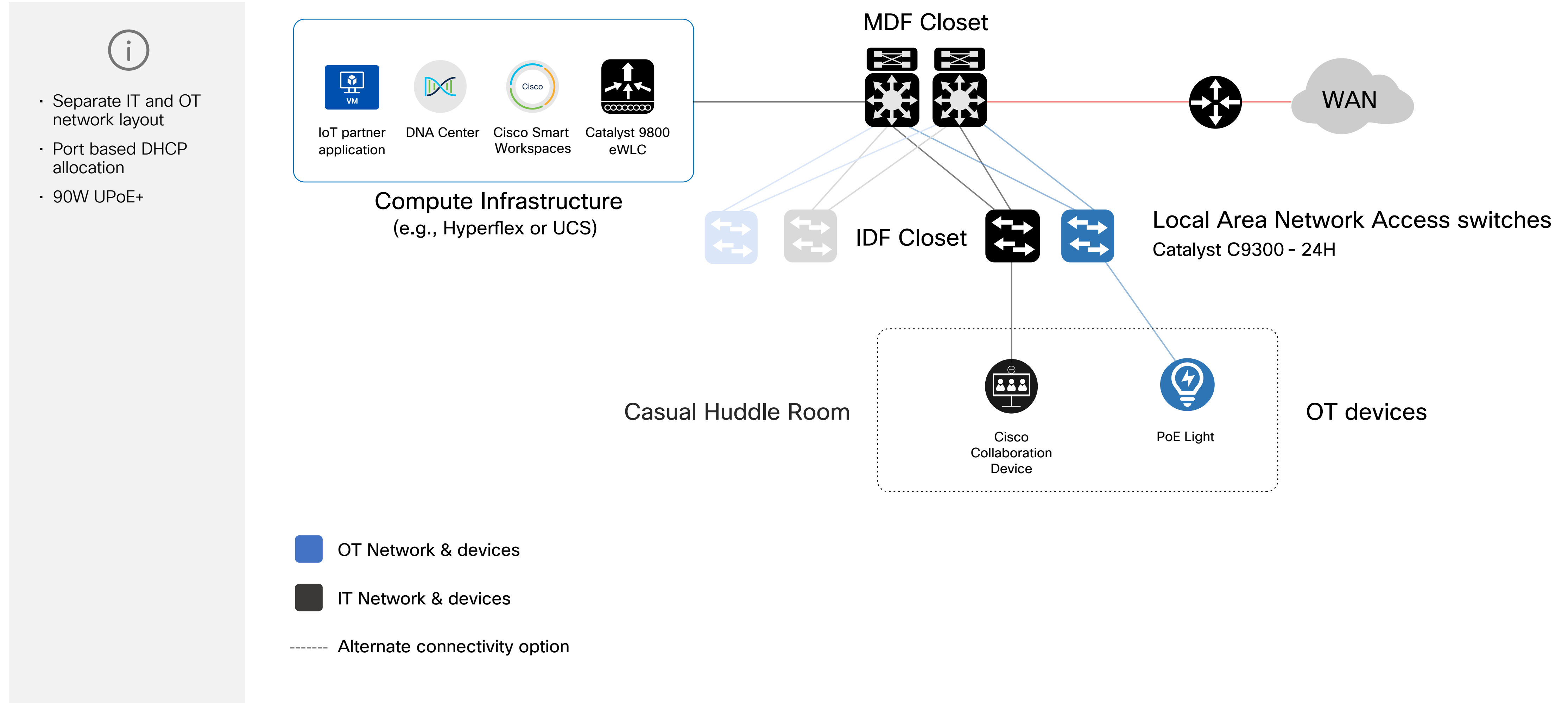
Connectivity View

Cisco Board Pro 55



— ETHERNET
— POWER

IT/OT Reference Architectures



IT/OT Bill of Material

Cisco Products - Cisco Board Pro 55 Option

- **CS-BRD55P-K9** Cisco Board Pro 55
- **CS-BRD55P-WMK=** Cisco Board Pro 55 Wall Mount (for bar or counter height option)
- **CS-T10-TS-K9=** Cisco Room Navigator for Table (Optional)
- **CS-T10-WM-K9=** Cisco Room Navigator for Wall (Optional)

IOT Devices

- IAQ coming from the Cisco Board Pro 55
- Occupancy sensing is coming from the Cisco Endpoints
- Suggested lighting specifications: 220LPW raw, 140LPW delivered
- Ensure Collaboration device is not plugged into ASHRAE 90.1 outlet

External microphones and speakers

- Mic and speakers are embedded in the Cisco Endpoints. No additional mic or speakers required
-

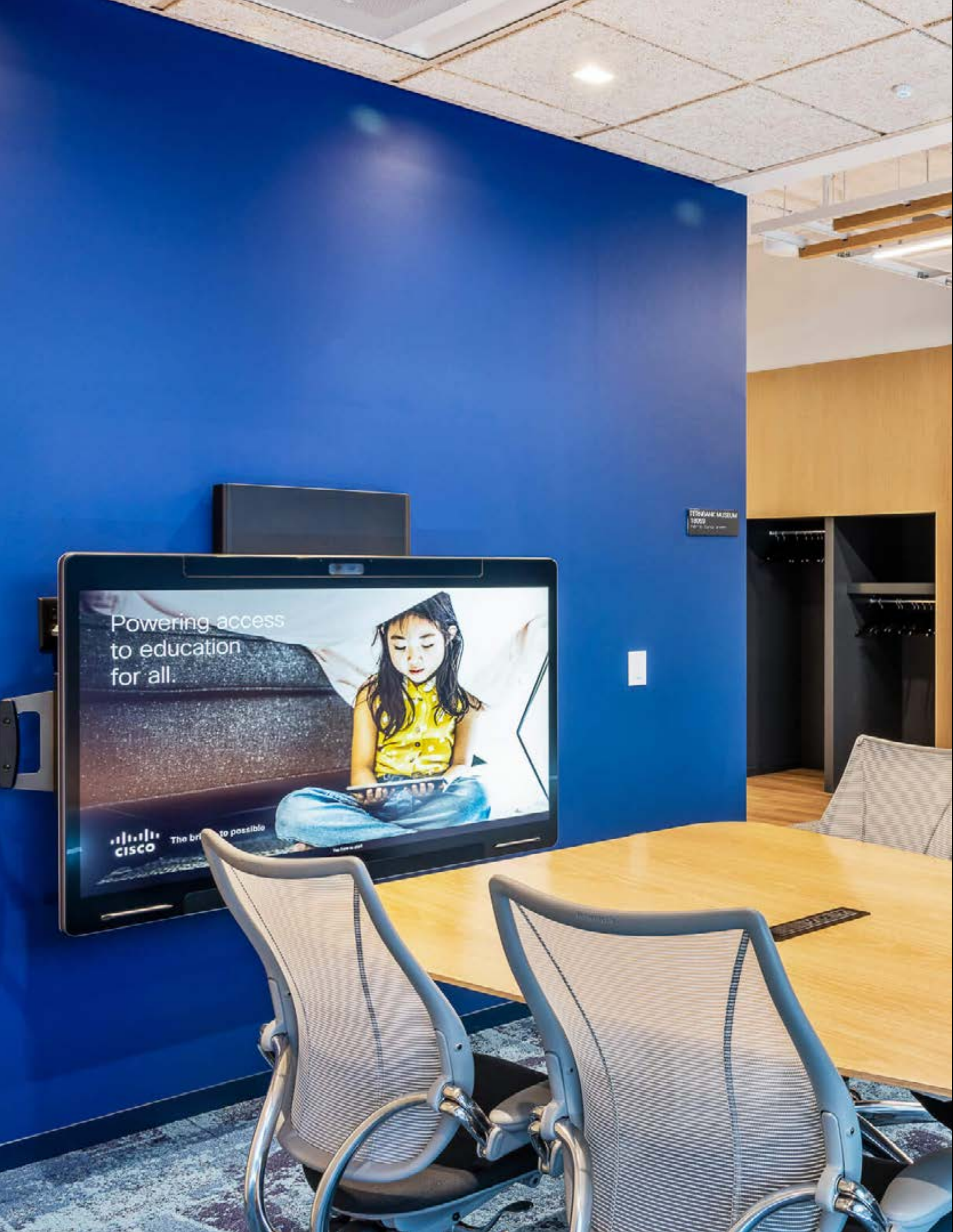
Commissioning-User Acceptance Testing (UAT) Criteria (Sample)

OT/Space Testing

- Verify manual adjustment of lights, shades and environmental controls are operational from wall controls
- Confirm lighting occupancy sensor is functional
- Check any tabletop power and data functionality
- Verify any smart buildings integrations are working properly

IT Testing

- Internet connectivity of Cisco Collaboration device
- Initiate test calls on video endpoint (or Board Pro, Webex app and voice controls)
- Validate environmental metrics are being displayed on collaboration device and Room Navigator
- Confirm help videos are loaded
- Confirm occupancy beacon function is correctly working on Cisco Room Navigator for Wall
- Verify the Cisco Smart Workspaces display is showing proper presence status



Design Files

Design files (Revit, AutoCAD, Sketch up, Rhino3D, etc.) for Cisco's collaboration devices, network switches, wireless access points and Meraki security cameras can be found at www.bimobjects.com, search "Cisco."



Resources

Guide: Best Practices for Creating Effective Video-enabled Rooms

© 2024 Cisco and/or its affiliates. All rights reserved. Cisco, the Cisco logo, Webex by Cisco, and Webex are trademarks or registered trademarks of Cisco and/or its affiliates in the U.S. and other countries. To view a list of Cisco trademarks, see the Trademarks page on the Cisco website. Third-party trademarks mentioned are the property of their respective owners. The use of the word "partner" does not imply a partnership relationship between Cisco and any other company. (2106R)

The intent of this document is to highlight the details, components and partners used in the creation of a Large Collaboration Room. Any reference herein to any specific commercial products or service does not necessarily constitute or imply its endorsement or recommendation.

Version 10 (September 16, 2024)

