

# COUNTRY CLUB and CLUBHOUSE LOCKERS

Salsbury Industries offers a complete line of quality lockers designed specifically for country clubs and clubhouses. Our country clubs and clubhouse lockers help keep your members and guests' belongings safe and secure. Constructed of premium quality materials, Salsbury lockers are available in various styles, sizes, colors and configurations to meet your specific needs. These lockers can be ordered by phone or online at [www.lockers.com](http://www.lockers.com).



People Committed to Quality Since 1936®



# COUNTRY CLUB and CLUBHOUSE LOCKERS

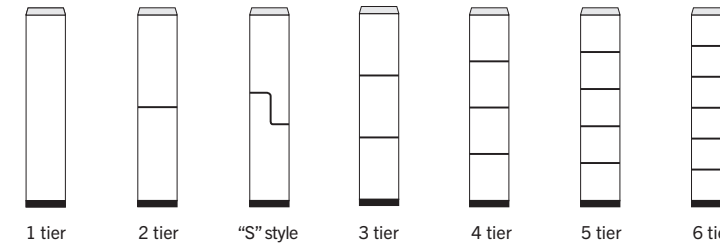
## Designer Wood Series - 12" Wide



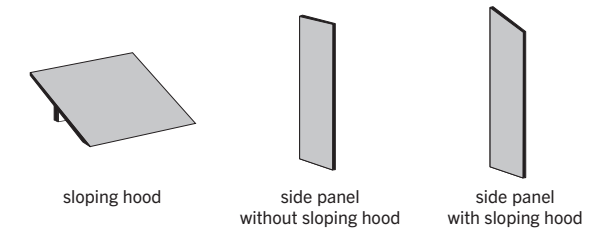
### DESIGNER WOOD LOCKERS - 12" WIDE

- Constructed of industrial grade particleboard and covered with durable high pressure laminate.
- Ideal for country clubs and clubhouses, health clubs, spas and salons, sports and athletic facilities or wherever a professional environment is desired.
- 1 wide units come fully assembled while 3 wide units require minor assembly.
- All locker doors include heavy duty concealed hinges and a lift up handle and recessed hasp for added security.

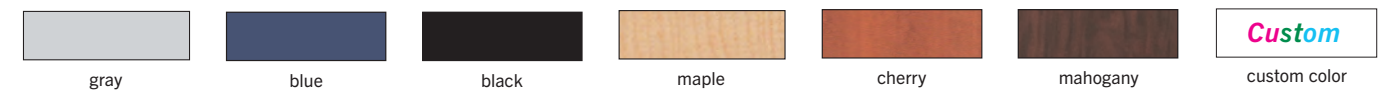
#### CONFIGURATIONS



#### TOP AND SIDE OPTIONS

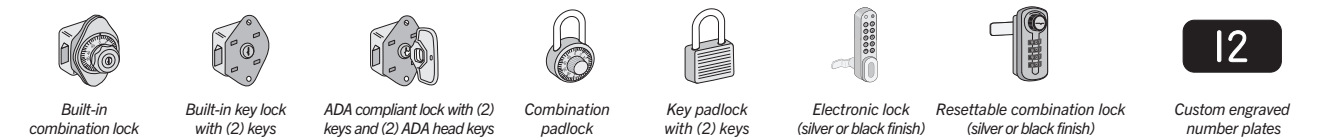


#### COLOR OPTIONS

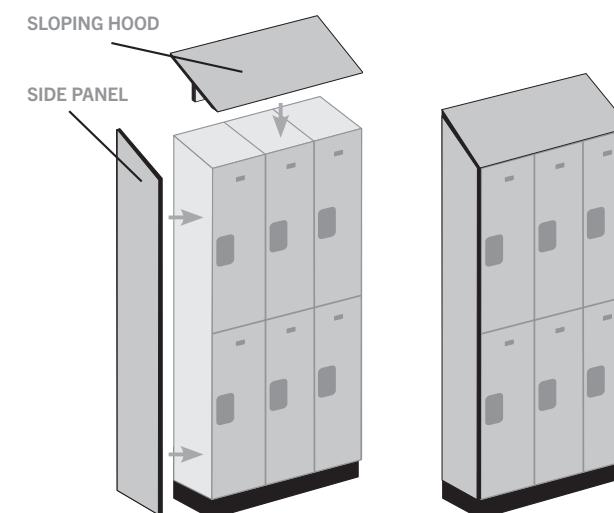


Custom colors - 25% upcharge (minimum fifteen (15) frames) To view all colors visit: [www.lockers.com/customdesignerlockers](http://www.lockers.com/customdesignerlockers)

#### LOCK OPTIONS / NUMBER PLATES



#### DISPLAYED WITH OPTIONAL SIDE PANEL AND SLOPING HOOD



#### Online Resources

- Product Information
- 3D Revit / BIM Models
- Detailed Specifications
- Technical Drawings
- Augmented Reality (AR) Models
- Installation Instructions
- AutoCAD Drawings



Visit: [www.lockers.com/Architectural-Resources](http://www.lockers.com/Architectural-Resources)

# COUNTRY CLUB and CLUBHOUSE LOCKERS

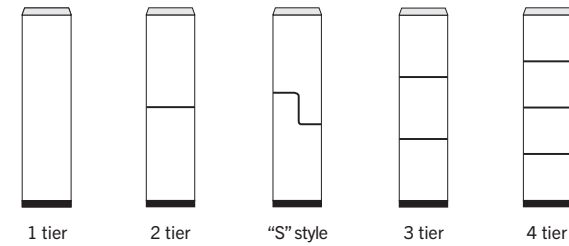
## Designer Wood Series - 15" Wide



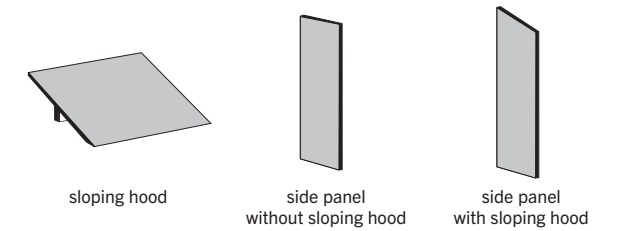
### DESIGNER WOOD LOCKERS - 15" WIDE

- Constructed of industrial grade particleboard and covered with durable high pressure laminate.
- Ideal for country clubs and clubhouses, health clubs, spas and salons, sports and athletic facilities or wherever a professional environment is desired.
- 25% wider than 12" wide designer lockers (locker doors are 15" wide x 3/4" deep).
- All locker doors include heavy duty concealed hinges and a lift up handle and recessed hasp for added security.

#### CONFIGURATIONS



#### TOP AND SIDE OPTIONS

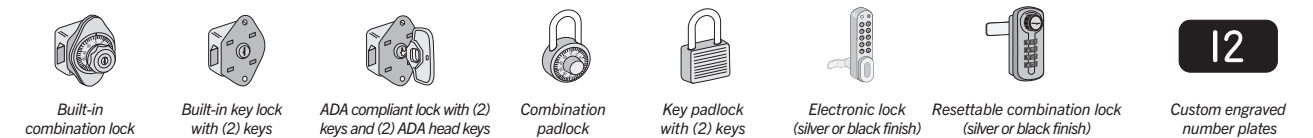


#### COLOR OPTIONS

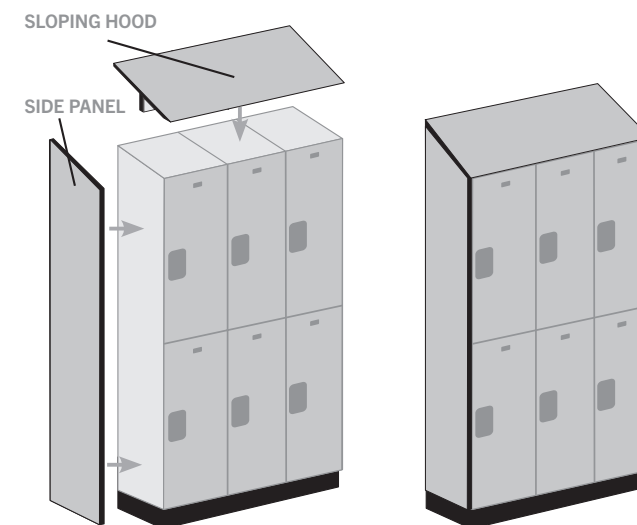


Custom colors - 25% upcharge (minimum fifteen (15) frames) To view all colors visit: [www.lockers.com/customdesignerlockers](http://www.lockers.com/customdesignerlockers)

#### LOCK OPTIONS / NUMBER PLATES



#### DISPLAYED WITH OPTIONAL SIDE PANEL AND SLOPING HOOD



#### Online Resources

- Product Information
- 3D Revit / BIM Models
- Detailed Specifications
- Technical Drawings
- Augmented Reality (AR) Models
- Installation Instructions
- AutoCAD Drawings



Visit: [www.lockers.com/Architectural-Resources](http://www.lockers.com/Architectural-Resources)



# COUNTRY CLUB and CLUBHOUSE LOCKERS

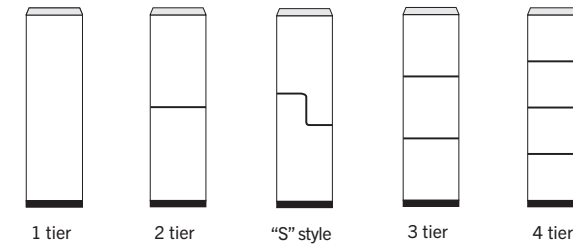
## Designer Wood Series - 18" Wide



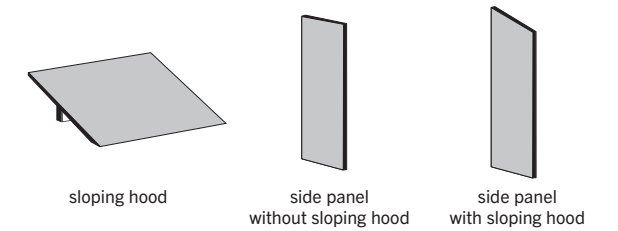
## DESIGNER WOOD LOCKERS - 18" WIDE

- Constructed of industrial grade particleboard and covered with durable high pressure laminate.
- Ideal for country clubs and clubhouses, health clubs, spas and salons, sports and athletic facilities or wherever a professional environment is desired.
- 50% wider than 12" wide designer lockers (locker doors are 18" wide x 3/4" deep).
- All locker doors include heavy duty concealed hinges and a lift up handle and recessed hasp for added security.

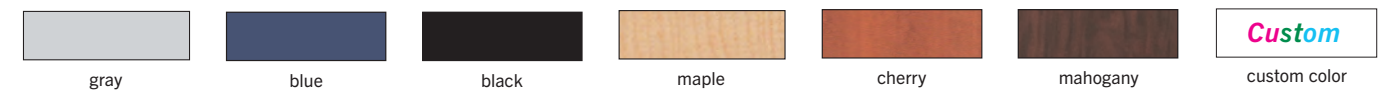
### CONFIGURATIONS



### TOP AND SIDE OPTIONS

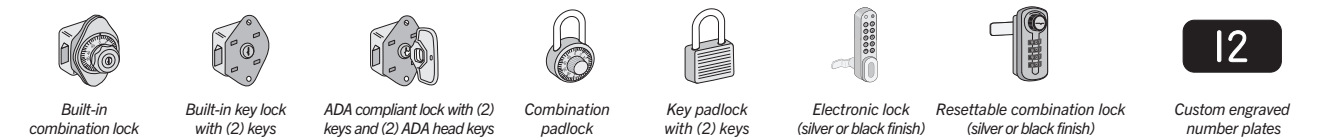


### COLOR OPTIONS

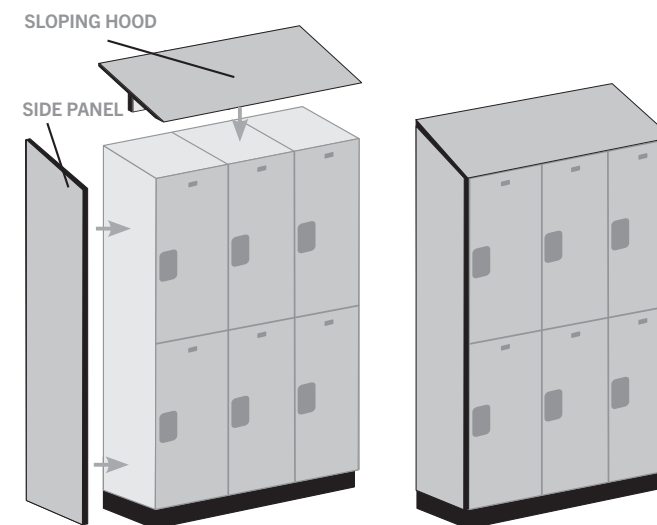


Custom colors - 25% upcharge (minimum fifteen (15) frames) To view all colors visit: [www.lockers.com/customdesignerlockers](http://www.lockers.com/customdesignerlockers)

### LOCK OPTIONS / NUMBER PLATES



### DISPLAYED WITH OPTIONAL SIDE PANEL AND SLOPING HOOD



### Online Resources

- Product Information
- 3D Revit / BIM Models
- Detailed Specifications
- Technical Drawings
- Augmented Reality (AR) Models
- Installation Instructions
- AutoCAD Drawings



Visit: [www.lockers.com/Architectural-Resources](http://www.lockers.com/Architectural-Resources)

# COUNTRY CLUB and CLUBHOUSE LOCKERS

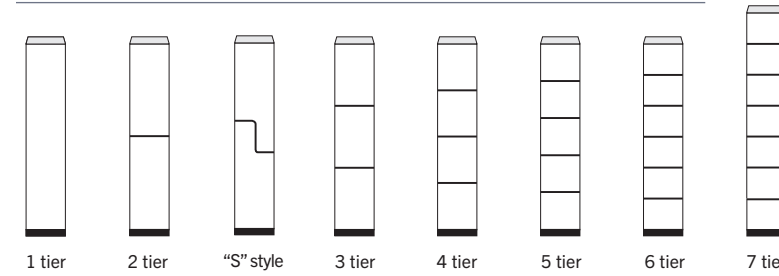
## Custom Designer Series



## CUSTOM DESIGNER LOCKERS

- Constructed of industrial grade particleboard and covered with durable high pressure laminate.
- Ideal for country clubs and clubhouses, health clubs, spas and salons, sports and athletic facilities or wherever a professional environment is desired.
- Custom designer lockers are available in six (6) standard designer colors (gray, blue, black, maple, cherry and mahogany) or a wide variety of custom colors.
- Minimum order of fifteen (15) frames.

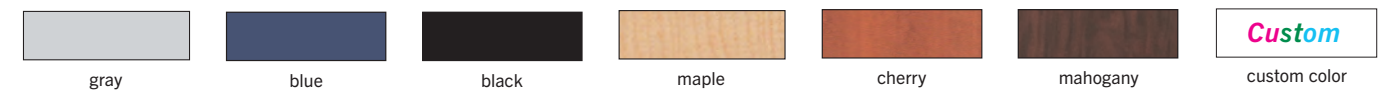
### CONFIGURATIONS



### HEIGHT / WIDTH / DEPTH

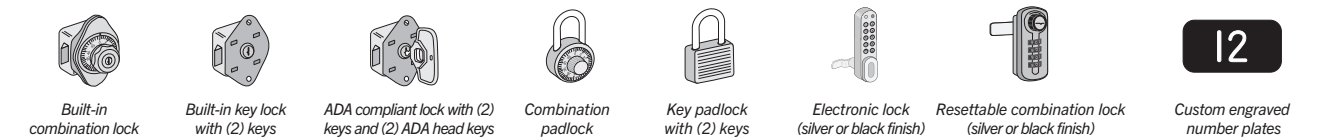
36"	48"	60"	72"	84"
height				
12"	15"	18"	21"	24"
width				
12"	15"	18"	21"	24"
depth				

### COLOR OPTIONS



Custom colors - 25% upcharge (minimum fifteen (15) frames) To view all colors visit: [www.lockers.com/customdesignerlockers](http://www.lockers.com/customdesignerlockers)

### LOCK OPTIONS / NUMBER PLATES



### Custom Designer Lockers in 5 Easy Steps

- 1) Specify # of Tiers
- 2) Specify Height, Width and Depth
- 3) Specify Color
- 4) Specify Options
- 5) Submit for Price Quotation

Email: [customlockers@lockers.com](mailto:customlockers@lockers.com)

Phone: 1.800.562.5377

Fax: 1.800.562.5399

[www.lockers.com/customdesignerlockers](http://www.lockers.com/customdesignerlockers)

### Online Resources

- Product Information
- 3D Revit / BIM Models
- Detailed Specifications
- Technical Drawings
- Augmented Reality (AR) Models
- Installation Instructions
- AutoCAD Drawings



Visit: [www.lockers.com/Architectural-Resources](http://www.lockers.com/Architectural-Resources)



# MANUFACTURING SINCE 1936

*The Industry Leader in Quality Lockers*



# ORDER FACTORY DIRECT

*Large Inventory and Fast Shipping*





# SALSBURY INDUSTRIES

**Contact us to learn more about  
Salsbury Country Clubs and  
Clubhouse Lockers!**

**Discounts Available!  
Contact Us  
for a Quote Today!**



People Committed to Quality Since 1936®

**Salsbury Industries**  
18300 Central Avenue  
Carson CA 90746-4008

**phone:** 1.800.562.5377

**fax:** 1.800.562.5399

**phone:** 1.323.846.6700

**fax:** 1.323.846.6800

**email:** [salsbury@lockers.com](mailto:salsbury@lockers.com)

**website:** [www.lockers.com](http://www.lockers.com)

