

PREMIER WOOD LOCKERS

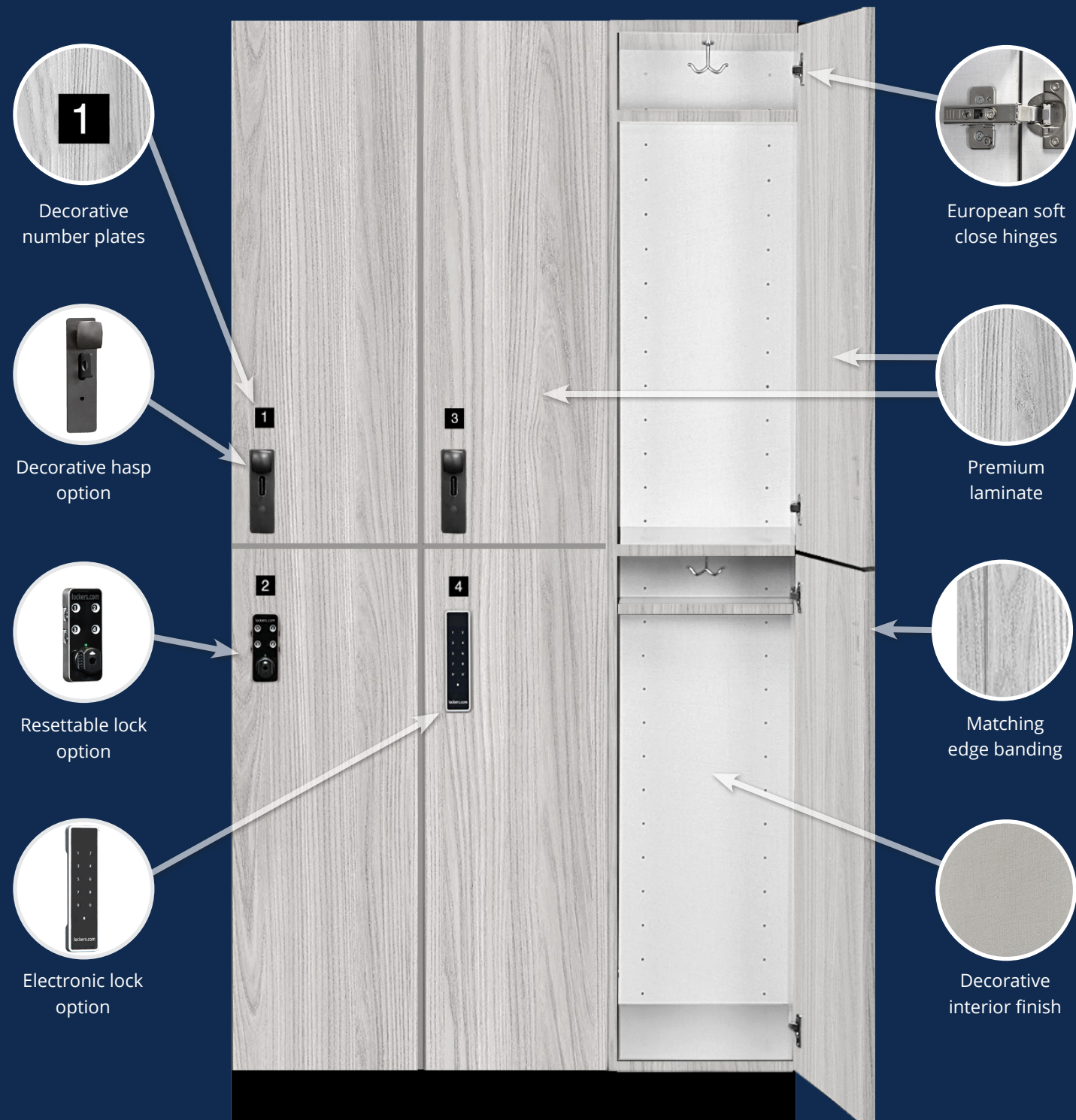
Salsbury Industries offers a complete line of premier wood lockers designed specifically for your needs. Our premier wood lockers help keep your belongings safe and secure while maintaining a professional appearance. Constructed of premium quality materials, Salsbury lockers are available in various styles, sizes, colors and configurations. These lockers can be ordered by phone or online at www.lockers.com.



People Committed to Quality Since 1936[®]

PREMIER WOOD LOCKERS

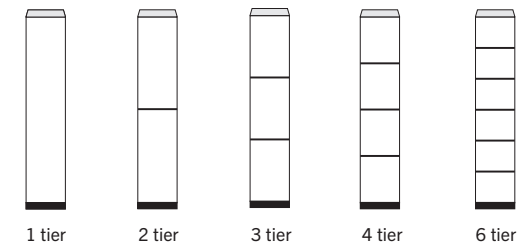
Premier Wood Locker Features



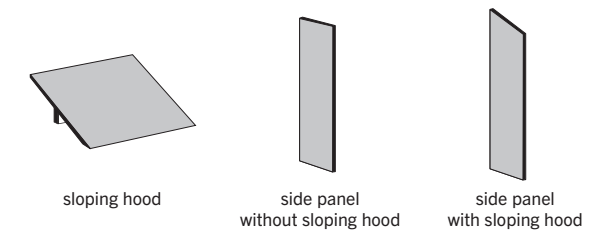
PREMIER WOOD LOCKERS FEATURES

- Constructed of industrial grade particleboard and premium laminate on both side doors.
- Ideal for country clubs and clubhouses, health clubs, spas and salons, sports and athletic facilities or wherever a professional environment is desired.
- Matching edge banding on doors and front frames with decorative interior finish.
- All locker doors include heavy duty soft close European hinges and decorative number plates.

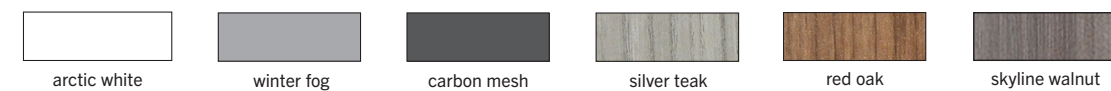
CONFIGURATIONS



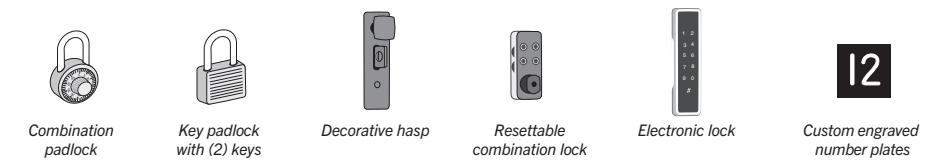
TOP AND SIDE OPTIONS



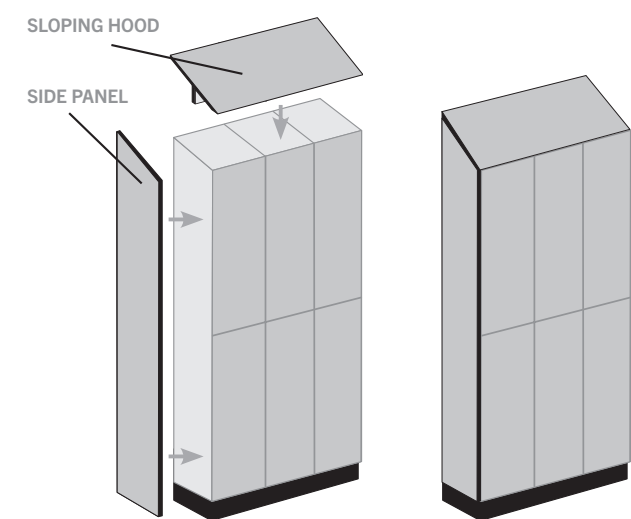
COLOR OPTIONS



LOCK OPTIONS / NUMBER PLATES



DISPLAYED WITH OPTIONAL SIDE PANEL AND SLOPING HOOD



Online Resources

- Product Information
- 3D Revit / BIM Models
- Detailed Specifications
- Technical Drawings
- Augmented Reality (AR) Models
- Installation Instructions
- AutoCAD Drawings



Visit: www.lockers.com/Architectural-Resources

PREMIER WOOD LOCKERS

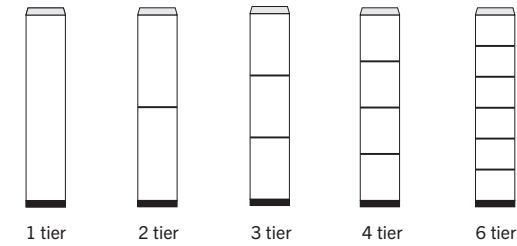
Premier Wood Series - 12" Wide



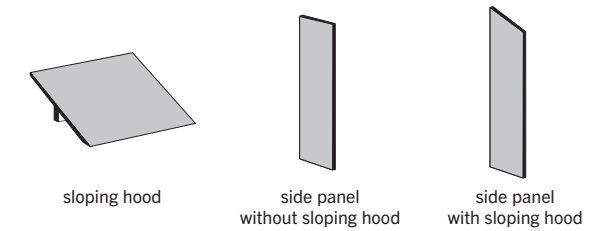
PREMIER WOOD LOCKERS - 12" WIDE

- Constructed of industrial grade particleboard and premium laminate on both side doors.
- Ideal for country clubs and clubhouses, health clubs, spas and salons, sports and athletic facilities or wherever a professional environment is desired.
- Matching edge banding on doors and front frames with decorative interior finish.
- All locker doors include heavy duty soft close European hinges and decorative number plates.

CONFIGURATIONS



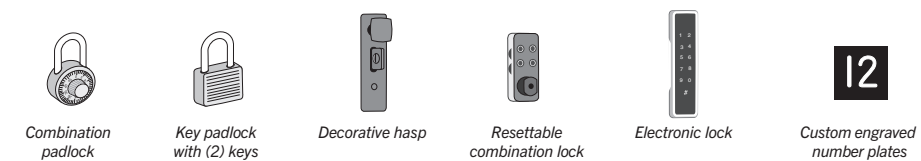
TOP AND SIDE OPTIONS



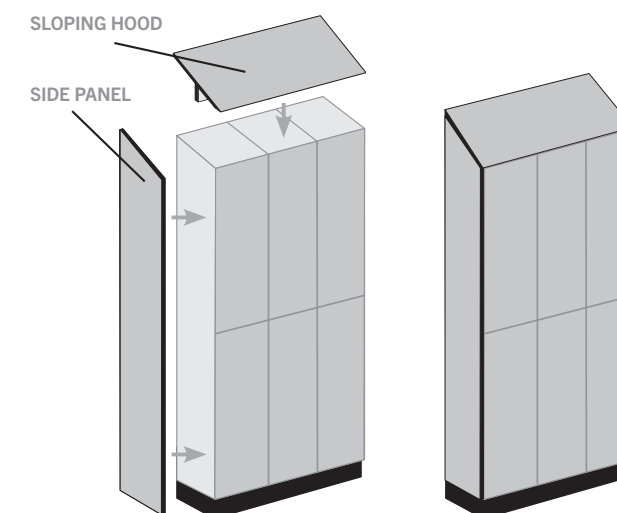
COLOR OPTIONS



LOCK OPTIONS / NUMBER PLATES



DISPLAYED WITH OPTIONAL SIDE PANEL AND SLOPING HOOD



Online Resources

- Product Information
- 3D Revit / BIM Models
- Detailed Specifications
- Technical Drawings
- Augmented Reality (AR) Models
- Installation Instructions
- AutoCAD Drawings



Visit: www.lockers.com/Architectural-Resources

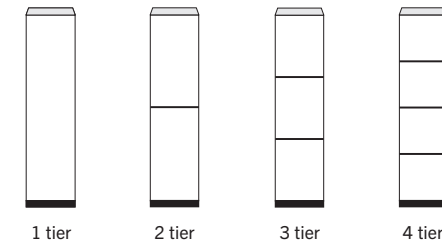
PREMIER WOOD LOCKERS

Premier Wood Series - 15" Wide

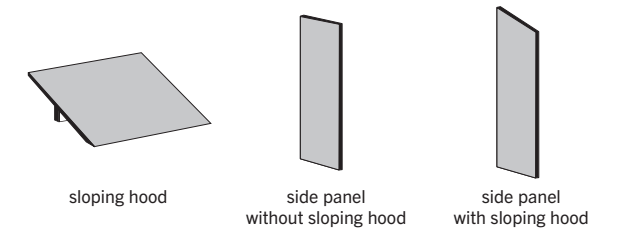
PREMIER WOOD LOCKERS - 15" WIDE

- Constructed of industrial grade particleboard and premium laminate on both side doors.
- Ideal for country clubs and clubhouses, health clubs, spas and salons, sports and athletic facilities or wherever a professional environment is desired.
- 25% wider than 12" wide designer lockers (locker doors are 15" wide x 3/4" deep).
- Matching edge banding on doors and front frames with decorative interior finish.
- All locker doors include heavy duty soft close European hinges and decorative number plates.

CONFIGURATIONS



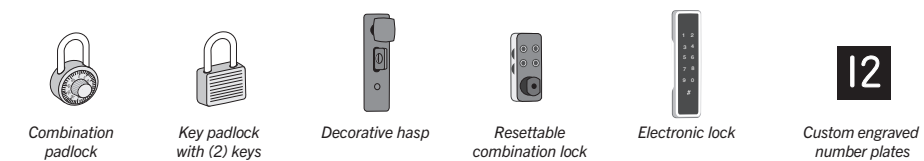
TOP AND SIDE OPTIONS



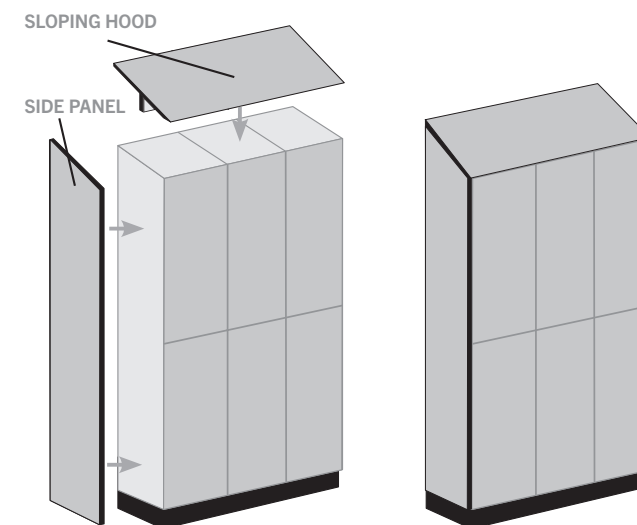
COLOR OPTIONS



LOCK OPTIONS / NUMBER PLATES



DISPLAYED WITH OPTIONAL SIDE PANEL AND SLOPING HOOD



Online Resources

- Product Information
- 3D Revit / BIM Models
- Detailed Specifications
- Technical Drawings
- Augmented Reality (AR) Models
- Installation Instructions
- AutoCAD Drawings



Visit: www.lockers.com/Architectural-Resources



PREMIER WOOD LOCKERS

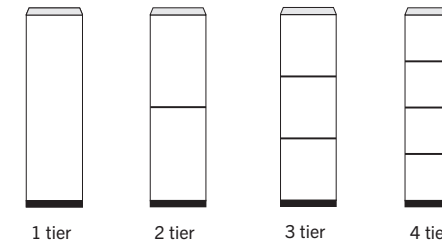
Premier Wood Series - 18" Wide



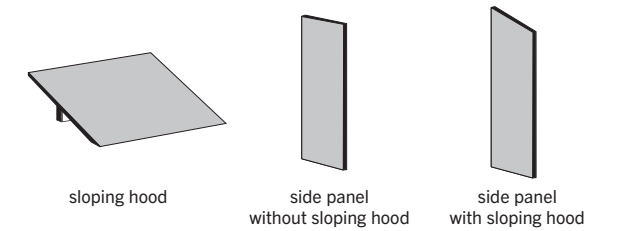
PREMIER WOOD LOCKERS - 18" WIDE

- Constructed of industrial grade particleboard and premium laminate on both side doors.
- Ideal for country clubs and clubhouses, health clubs, spas and salons, sports and athletic facilities or wherever a professional environment is desired.
- 50% wider than 12" wide designer lockers (locker doors are 18" wide x 3/4" deep).
- Matching edge banding on doors and front frames with decorative interior finish.
- All locker doors include heavy duty soft close European hinges and decorative number plates.

CONFIGURATIONS



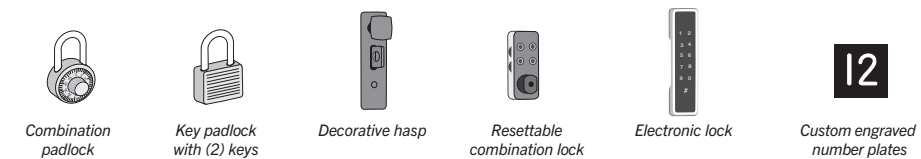
TOP AND SIDE OPTIONS



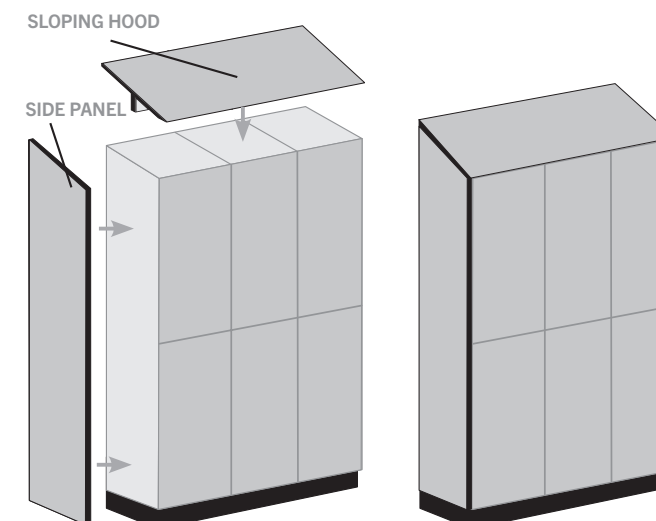
COLOR OPTIONS



LOCK OPTIONS / NUMBER PLATES



DISPLAYED WITH OPTIONAL SIDE PANEL AND SLOPING HOOD



Online Resources

- Product Information
- 3D Revit / BIM Models
- Detailed Specifications
- Technical Drawings
- Augmented Reality (AR) Models
- Installation Instructions
- AutoCAD Drawings



Visit: www.lockers.com/Architectural-Resources

MANUFACTURING SINCE 1936

The Industry Leader in Quality Lockers



ORDER FACTORY DIRECT

Large Inventory and Fast Shipping



SALSBURY INDUSTRIES

**Contact us to learn more about
Salsbury Premier Wood Lockers!**

**Discounts Available!
Contact Us
for a Quote Today!**



People Committed to Quality Since 1936®

Salsbury Industries
18300 Central Avenue
Carson CA 90746-4008

phone: 1.800.562.5377

fax: 1.800.562.5399

phone: 1.323.846.6700

fax: 1.323.846.6800

email: salsbury@lockers.com

website: www.lockers.com

