




PHILIPS

Urban Architecture Lighting

Uni Architecture Lighting Products

Radiant Brilliance Glowing with Ease

Philips Uni Architecture Lighting Product Family

A nighttime photograph of a city skyline reflected in a river. The buildings are illuminated with various colors, including blue, purple, and red. The water in the foreground is dark, with the lights from the buildings and streetlights reflecting on its surface. The sky is a deep blue.

Perfectly Balanced Tones Enriching the Color of City with Uni

“ In each city, each building is unique, possessing its distinct character and color. The color of a city sets its tone, while the color of architecture defines its taste. Exhibiting, highlighting, enhancing, and complementing the colors of cities and architecture through lighting is a specialty of the Uni Architecture Lighting Product Family. ”

The Uni Architecture Lighting Product Family boasts extremely short color-mixing distances, enabling precise color control. From white to amber and full-color products, the hues are pure and translucent, faithfully expressing the unique characteristics of buildings without excessive embellishment. Our products also offer delicate dimming capabilities, restoring the city's original colors to their fullest.



Uni Family Lighting Up the City's Glow

“ Lighting makes our cities more beautiful. Cities are composed of architecture, which shapes the rhythm of urban spaces. By enhancing this rhythm with lighting, a visual beat is created, fostering a sense of uniqueness and pride in the city. ”

“ The Uni Architecture Lighting Product Family is a dedicated Architecture lighting product line designed for cities, offering a rich variety of products and selections, complete accessory options, and versatile expansion capabilities. The Uni family illuminates the facades of contemporary high-rise buildings with elegance, traces the lines of historic architectures with finesse, highlights city landmarks with stunning luminance, and presents dynamic, dazzling light spectacles on architectural facades. It masterfully enhances the grandeur of large-scale municipal installations, thoughtfully constructs cityscape projects, and elevates the vibrant ambiance of major commercial complexes, all while radiating a brilliant and serene glow.

Each product in the Uni Architecture Lighting Product Family boasts its unique characteristics, employing color, texture, contrast of solid and void, depth, and motion to express the inherent qualities of architecture, showcasing the rhythm inherent in buildings themselves, defining distinct tonal foundations for different structures, and collectively creating a harmonious symphony for the cityscape. Uni products feature DMX512 interface, enabling real-time full-color dynamic light shows that bring buildings to life and inject vitality into cities.”

UniFlood G G2



Single-head BVP344 G2S Dual-head BVP344 G2D Triple-head BVP344 G2T

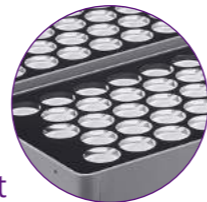
The UniFlood G G2 high-power floodlight is designed for wall washing and floodlighting of large building exteriors. With its robust mechanical design and efficient optical system, it is ideally suited for exterior facades of high-rise buildings, bridges, landmarks, and monuments. It offers white light, monochromatic colors, RGB / RGBW, and tunable white options, accompanied by a selection of 9 different optical lenses ranging from super narrow to wide beam angles, as well as DMX512 / RDM control capabilities, empowering architects and lighting designers to freely explore and realize a myriad of design concepts and ideas.

Features



High quality

- High luminous efficacy, with a maximum luminous flux output of 46,950lm (at 4000K)
- Lumen Maintenance - white: 50,000 hours L70 at 35°C; color: 50,000 hours L50 at 35°C
- Special configuration with 15KV surge protector (external)



Optimal effect

- Multiple optical lens options available, with the minimum beam angle achievable at 3D
- Glare control: Three-sided / Four-sided Glare Shield or built-in honeycomb louver
- Custom luminous surface, such as frosted glass, to achieve various light output effects

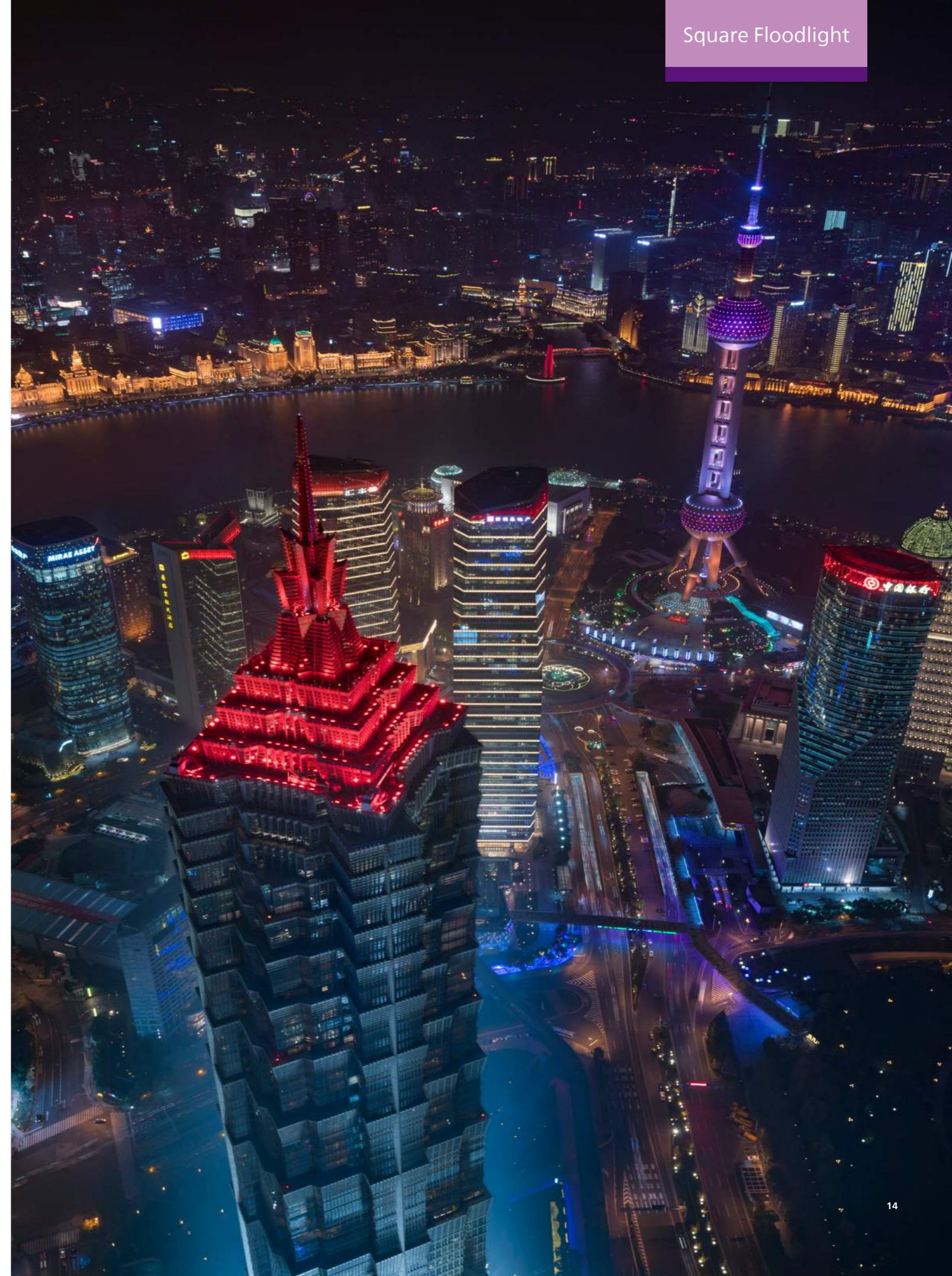


Stable and reliable

- The luminous surface features a self-draining design to prevent water accumulation and dust buildup, particularly suited for upward floodlighting applications
- Larger heat dissipation area, separate electrical box design, higher heat dissipation efficiency, capable of handling more demanding environmental temperature conditions

Convenient and simple

- Equipped with a built-in anti-fall chain and a premium-quality breather (for each lamp head)
- Signal wires are connected in a daisy chain manner, equipped with built-in IP67 waterproof connectors
- Dedicated address lines for faster and easier DMX addressing, compatible with the handheld address writer (ZXP399)

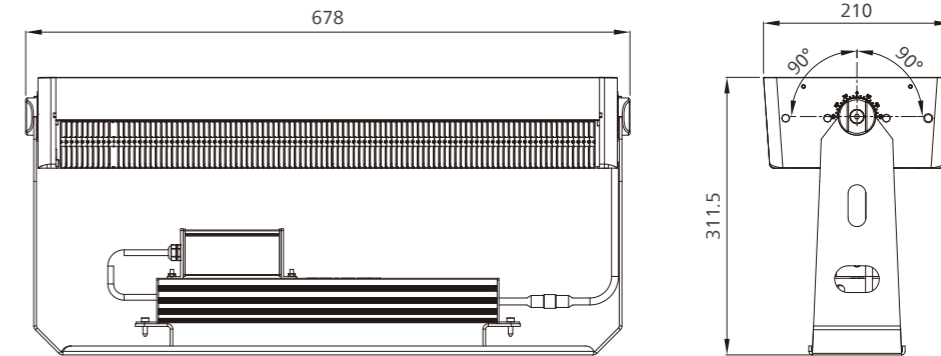




UniFlood G G2
(Single-head)

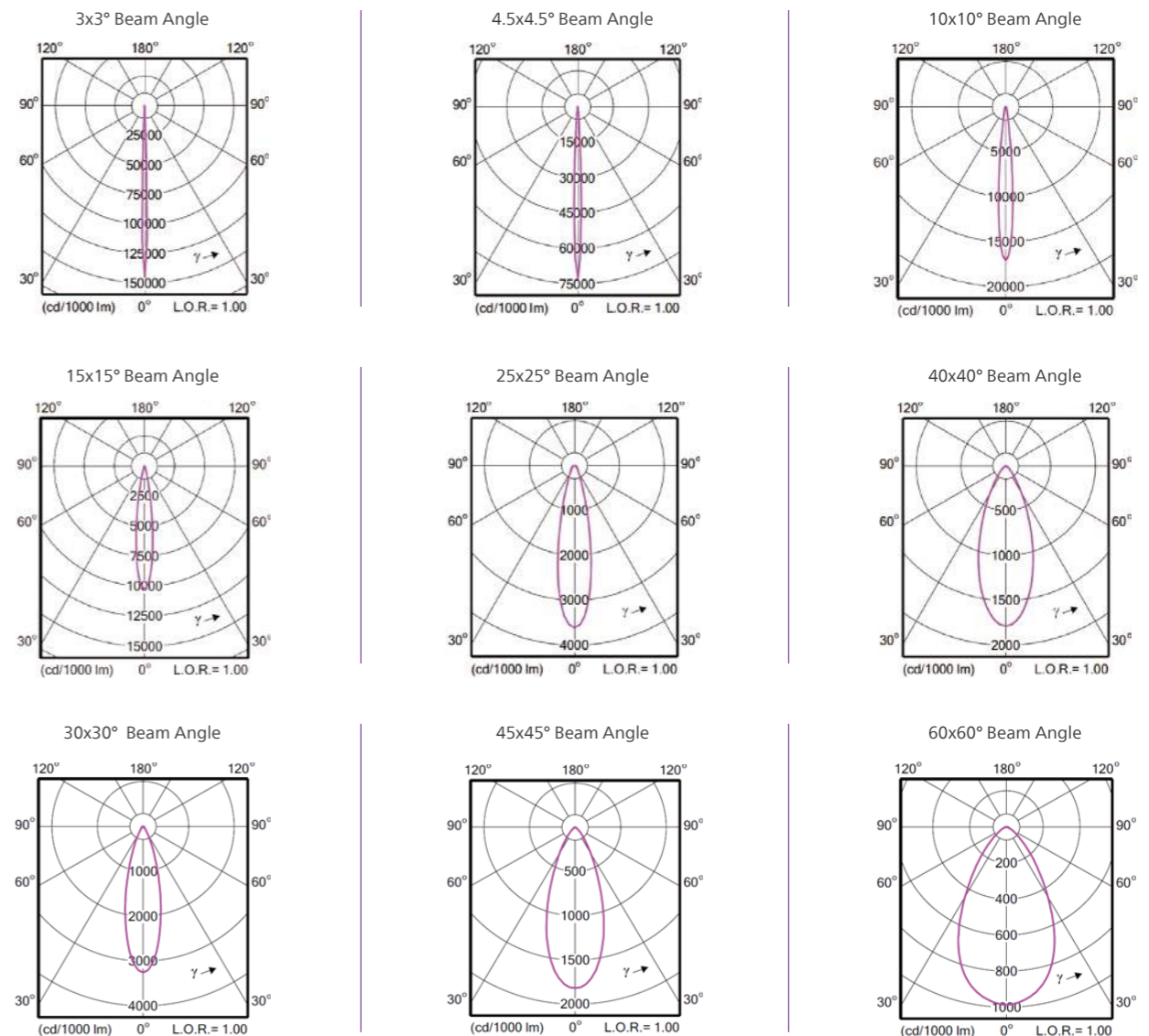
LxWxH.mm

BVP344 G2S



Light Distribution Curve

BVP344 G2S



Specifications

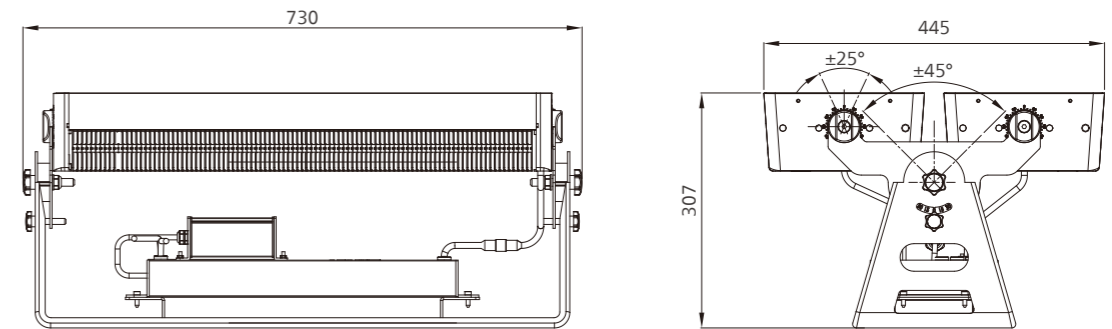
Product Series		UniFlood G G2 Single-head (BVP344 G2S)	
Optical Parameters	Light Source	High-power LED	
	Lumen Maintenance	50000 hours L70B50 at 35°C	
	Max. LEDs	72LED	120LED
	Beam Angle	3°	4.5°, 10°, 15°, 25°, 30°, 40°, 45°, 60°
	Maximum Power	300W White / 180W RGB/RGBW	300W
	Standard Color Temperature	3000K, 4000K	
	Optional Colors	RGB, RGBNW, RGBWW	
	CRI	80	
	White Light Color Tolerance	SDCM<=4	
	Color Wavelength Range	R: 620 to 625nm; G: 525 to 530nm; B: 470 to 475nm	
Luminaire Body Parameters	Housing	Aerospace Aluminum Housing + Die-Cast Aluminum End Caps	
	Surface	Electrostatic Powder Coating, Surface Weathering and Corrosion Resistance Treatment	
	Housing Color	Dark Grey RAL7012	
	Bracket Material	Cold-rolled Steel Bracket	
	Angle Adjustment	Adjustable from -90° to +90°	
	Lens Material	High-efficiency PMMA Lens	
	Luminous Surface	Tempered Glass with Enhanced Strength	
	LxWxH.mm	678mm x 210mm x 311.5mm (with bracket)	
	Weight	13.5kg	
	Temperature Range	-40°C to 50°C (Operating Temperature) -35°C to 50°C (Startup Temperature) -40°C to 70°C (Storage Temperature)	
Electrical Parameters	Protection Class	IP66, IK06	
	Control	On/Off & DMX512/RDM	
	Input Voltage	220-240 VAC, 50/60Hz	
Others	Certificate	CE, CB, CQC	
	Warranty Period	5 years	
	Accessories / ETO Options	Glare Shield / Honeycomb Louver	



**UniFlood G G2
(Dual-head)**

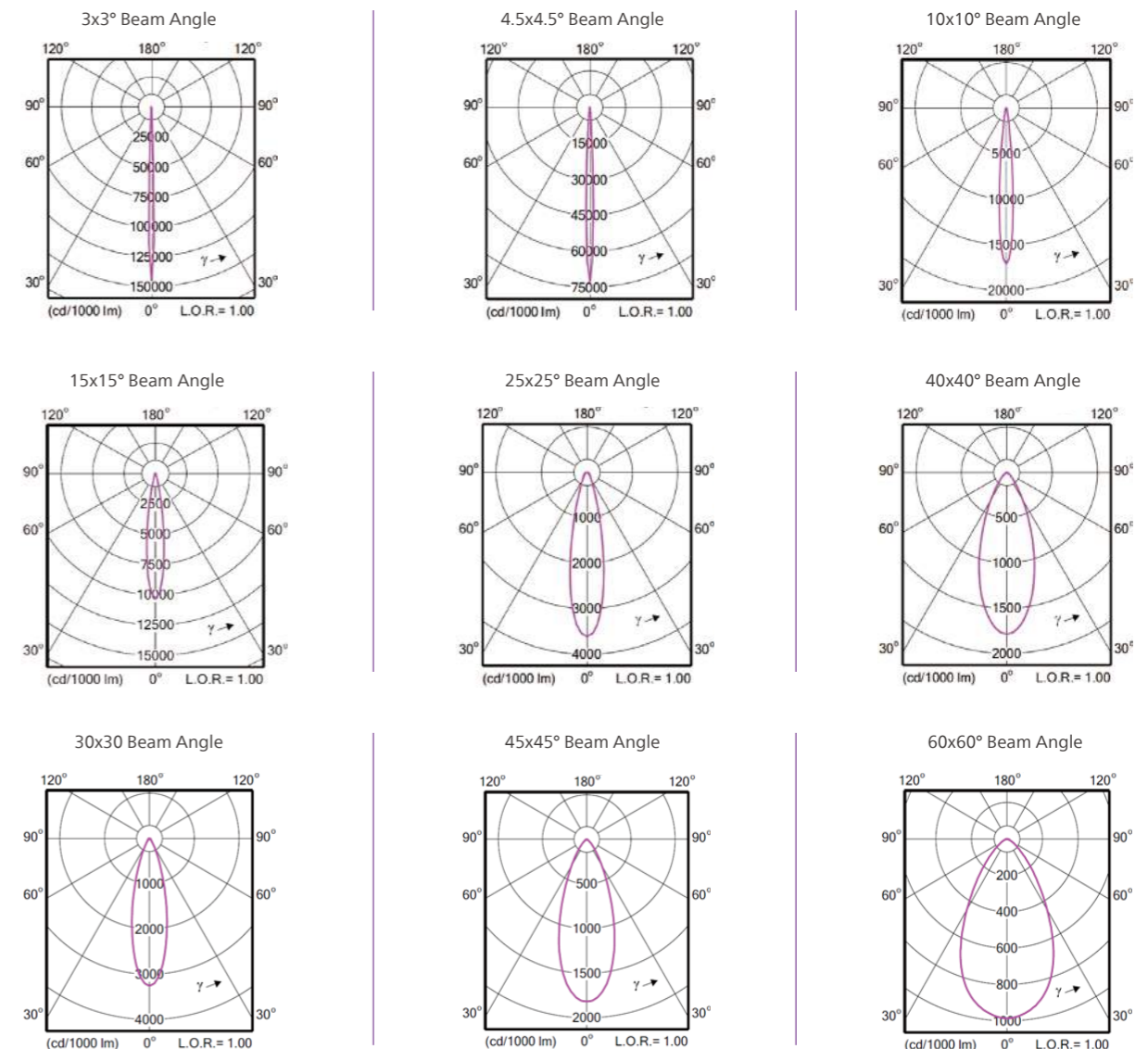
LxWxH.mm

BVP344 G2D



Light Distribution Curve

BVP344 G2D



Specifications

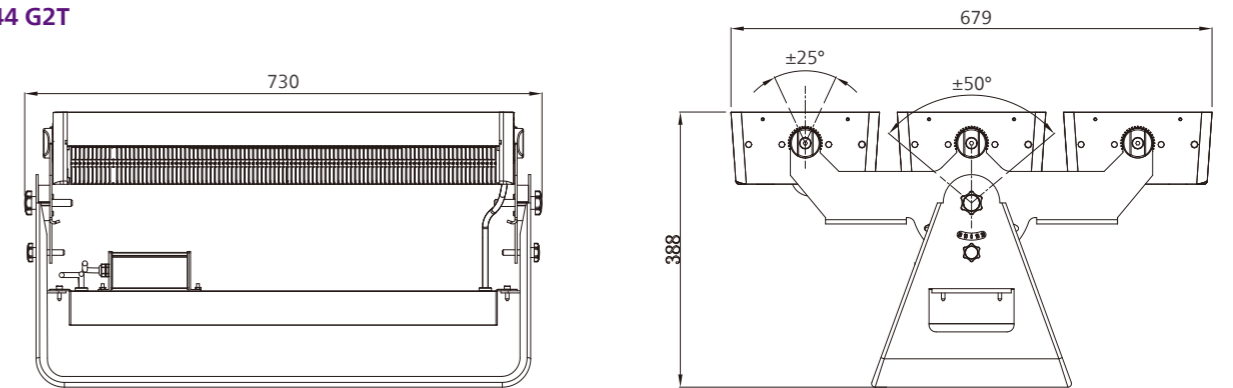
	Product Series	UniFlood G G2 Dual-head (BVP344 G2D)	
Optical Parameters	Light Source	High-power LED	
	Lumen Maintenance	50000 hours L70B50 at 35°C	
	Max. LEDs	144LED	240LED
	Beam Angle	3°	4.5°, 10°
	Maximum Power	600W White /360W RGB/RGBW	600W
	Standard Color Temperature	3000K, 4000K	
	Optional Colors	RGB, RGBNW, RGBWW	
	CRI	80	
	White Light Color Tolerance	SDCM<=4	
	Color Wavelength Range	R: 620 to 625nm; G: 525 to 530nm; B: 470 to 475nm	
Luminaire Body Parameters	Housing	Aerospace Aluminum Housing + Die-Cast Aluminum End Caps	
	Surface	Electrostatic Powder Coating, Surface Weathering and Corrosion Resistance Treatment	
	Housing Color	Dark Grey RAL7012	
	Bracket Material	Cold-rolled Steel Bracket	
	Angle Adjustment	Individual head adjustable by ±25° & bracket adjustable by ±45°	
	Lens Material	High-efficiency PMMA Lens	
	Luminous Surface	Tempered Glass with Enhanced Strength	
	LxWxH.mm	730mm x 445mm x 307mm (with bracket)	
	Weight	28kg	
	Temperature Range	-40°C to 50°C (Operating Temperature) -35°C to 50°C (Startup Temperature) -40°C to 70°C (Storage Temperature)	
Electrical Parameters	Protection Class	IP66, IK06	
	Control	On/Off & DMX512/RDM	
	Input Voltage	220-240 VAC, 50/60Hz	
Others	Certificate	CE, CB, CQC	
	Warranty Period	5 years	
	Accessories / ETO Options	Glare Shield / Honeycomb Louver	



UniFlood G G2
(Triple-head)

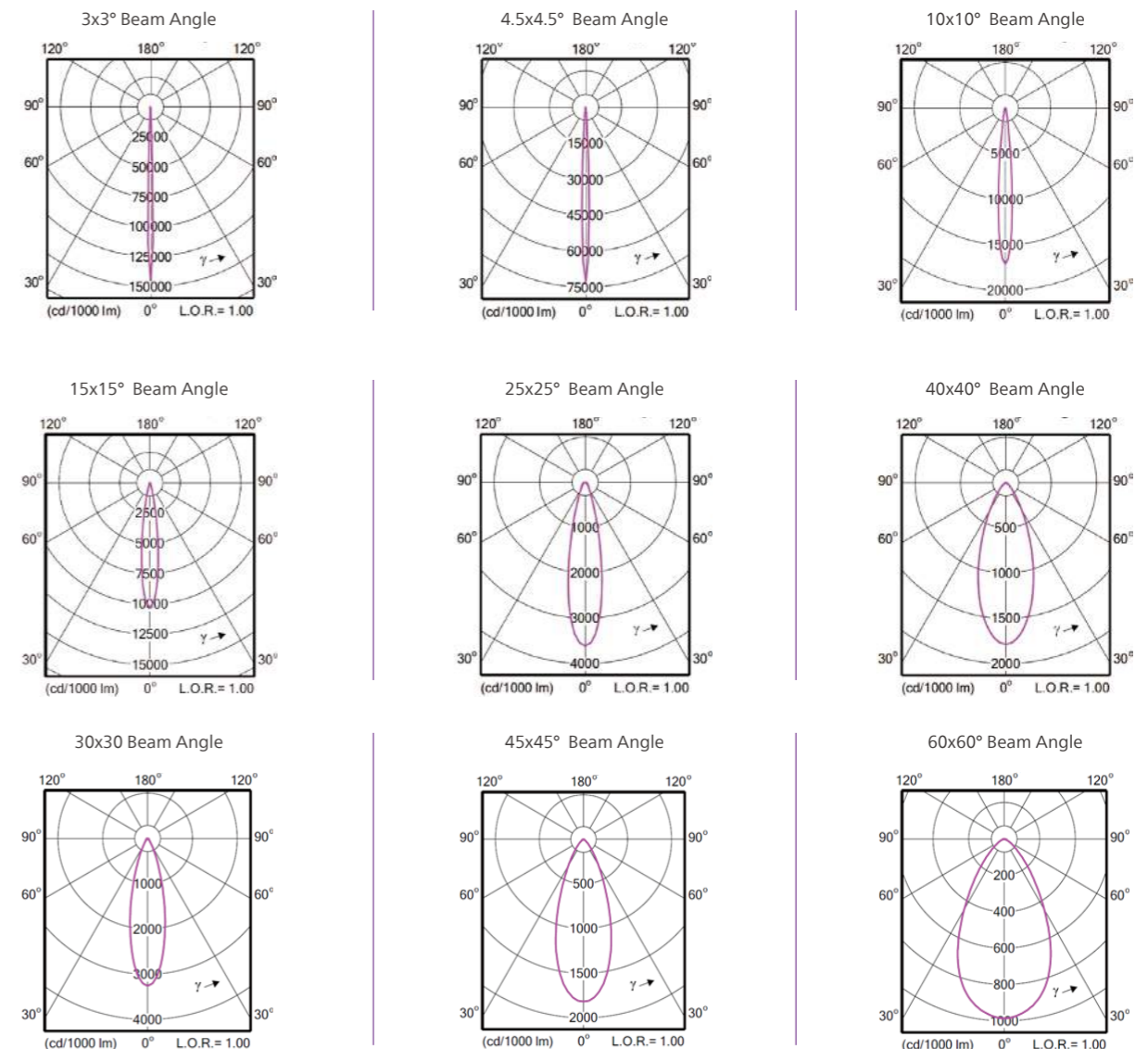
LxWxH.mm

BVP344 G2T



Light Distribution Curve

BVP344 G2T



Specifications

	Product Series	UniFlood G G2 Triple-head (BVP344 G2T)	
Optical Parameters	Light Source	High-power LED	
	Lumen Maintenance	50000 hours L70B50 at 35°C	
	Max. LEDs	216LED	360LED
	Beam Angle	3°	4.5°, 10°
	Maximum Power	900W White /540W RGB/RGBW	900W
	Standard Color Temperature	3000K, 4000K	
	Optional Colors	RGB, RGBNW, RGBWW	
	CRI	80	
	White Light Color Tolerance	SDCM<=4	
	Color Wavelength Range	R: 620 to 625nm; G: 525 to 530nm; B: 470 to 475nm	
Luminaire Body Parameters	Housing	Aerospace Aluminum Housing + Die-Cast Aluminum End Caps	
	Surface	Electrostatic Powder Coating, Surface Weathering and Corrosion Resistance Treatment	
	Housing Color	Dark Grey RAL7012	
	Bracket Material	Cold-rolled Steel Bracket	
	Angle Adjustment	Individual head adjustable by ±25° & bracket adjustable by ±45°	
	Lens Material	High-efficiency PMMA Lens	
	Luminous Surface	Tempered Glass with Enhanced Strength	
	LxWxH.mm	730mm x 679mm x 388mm (with bracket)	
	Weight	41.5kg	
	Temperature Range	-40°C to 50°C (Operating Temperature) -35°C to 50°C (Startup Temperature) -40°C to 70°C (Storage Temperature)	
Electrical Parameters	Protection Class	IP66, IK06	
	Control	On/Off & DMX512/RDM	
	Input Voltage	220-240 VAC, 50/60Hz	
Others	Certificate	CQC, CB, CE	
	Warranty Period	5 years	
	Accessories / ETO Options	Glare Shield / Honeycomb Louver	

Uniflood M G2



Single-head BVP353

Dual-head BVP354

Triple-head BVP355

The UniFlood M G2 series of modular square floodlights are widely applicable for wall washing and floodlighting of outdoor building facades. They offer a choice of high-quality white light and RGB color lighting. With a modular, combinational design, these lights feature robust aluminum alloy housings, an IP66 rating, and an IK06 rating, ensuring reliable operation in harsh outdoor conditions over extended periods. A variety of beam angle options and anti-glare accessories are available to meet different floodlighting application needs.

Features



High quality

- Full power range coverage, from 24W to 450W
- A rich selection of light distributions and accessories is available, with beam angles ranging from 3 degrees to 60 degrees, and various glare control accessories to choose from



Stable and reliable

- The luminous surface features a self-draining design to prevent water accumulation and dust buildup, particularly suited for upward floodlighting applications
- Brand new industrial design, combining functional illumination with aesthetic appeal
- Modular design allows each head to be individually adjusted for mounting angle and enables independent control of individual heads, providing ample flexibility for product serialization and customization
- Its miniature and lightweight design facilitates easy concealment and unobtrusive integration of the luminaire



Optimal effect

- Multiple optical lens options available, with the minimum beam angle achievable at 3D
- Glare control: Three-sided / Four-sided Glare Shield or built-in honeycomb louver
- Custom luminous surface, such as frosted glass, to achieve various light output effects



Convenient and simple

- Equipped with a built-in anti-fall chain, each head comes standard with a breather
- Signal wires are connected in a daisy chain manner, equipped with built-in IP67 waterproof connectors
- Dedicated address lines for faster and easier DMX / RDM addressing, compatible with the handheld address writer (ZXP399)





UniFlood M G2
(Single-head)

Specifications

	Product Series	UniFlood M G2 Single-head (BVP353)	
Optical Parameters	Light Source	High-power LED	
	Lumen Maintenance	50000 hours L70B50 at 35°C	
	Max. LEDs	36LED	72LED
	Beam Angle	3°	10°,15°,30°,45°,60°
	Maximum Power	100W	150W
	Standard Color Temperature	3000K, 4000K	
	Optional Colors	RGB, RGBNW, RGBWW	
	CRI	80	
	White Light Color Tolerance	SDCM<=4	
	Color Wavelength Range	R: 620 to 625nm; G: 525 to 530nm; B: 470 to 475nm	
Luminaire Body Parameters	Housing	Aluminum profile	
	Surface	Electrostatically Sprayed Polyester Powder Coating	
	Housing Color	Dark Grey (RAL7012)	
	Bracket Material	Cold-rolled steel	
	Angle Adjustment	±90°	
	Lens Material	High-optical-efficiency PMMA lens with anti-aging and UV-resistant properties	
	Gasket	Silicone	
	Luminous Surface	Clear tempered glass	
	LxWxH.mm	L: 155/183/210/238/293/348/403/486/569 xW: 140 x H: 149mm (with bracket)	
	Weight	2-6.8kg	
Electrical Parameters	Temperature Range	-40°C to 50°C (Operating)	-35°C to 50°C (Startup)
			-40°C to 70°C (Storage)
	Protection Class	IP66, IK06	
Electrical Parameters	Control	On/Off & DMX512 (custom RDM)	
	Input Voltage	220-240 VAC, 50/60Hz	
Others	Certificate	CQC,CB,CE	
	Warranty Period	5 years	
	Accessories / ETO Options	Glare Shield (Three-sided / Four-sided), Striped / Honeycomb Louver	

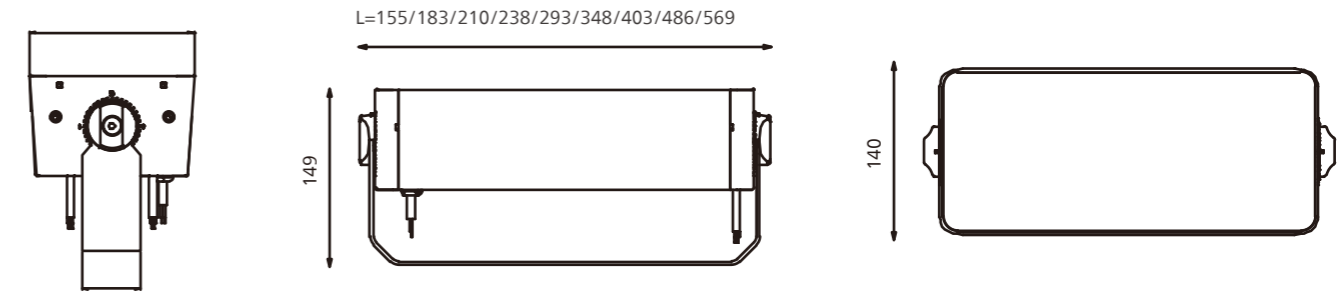
LED, Beam Angle, and Power Specifications

Model	UniFlood M G2 Single-head (BVP353)										
	L15-155mm		L18-183mm				L21-210mm			L24-238mm	
LEDs	6LED	12LED	8LED (RGBW)	9LED (Single white &RGB)	15LED (RGB)	16LED (Single white &RGBW)	12LED	18LED (Single white &RGB)	20LED (RGBW)	24LED	
Beam Angle	3°	10°,15°,30°,45°,60°	3°		10°,15°,30°,45°,60°		3°	10°,15°,30°,45°,60°		10°,15°,30°,45°,60°	
Maximum Power	15W	24W	20W		30W		30W	40W		50W	

Length	L30-293mm				L35-348mm	L40-403mm	L50-486mm			L57-569mm		
	LEDs	16LED (RGBW)	18LED (Single white &RGB)	30LED (Single white &RGB)	32LED (RGBW)	36LED	24LED	48LED	30LED (Single white &RGB)	32LED (RGBW)	60LED	36LED
Beam Angle	3°		10°,15°,30°,45°,60°		10°,15°,30°,45°,60°	3°	10°,15°,30°,45°,60°	3°		10°,15°,30°,45°,60°	3°	10°,15°,30°,45°,60°
Maximum Power	45W		60W		80W	60W	100W	80W		120W	100W	150W

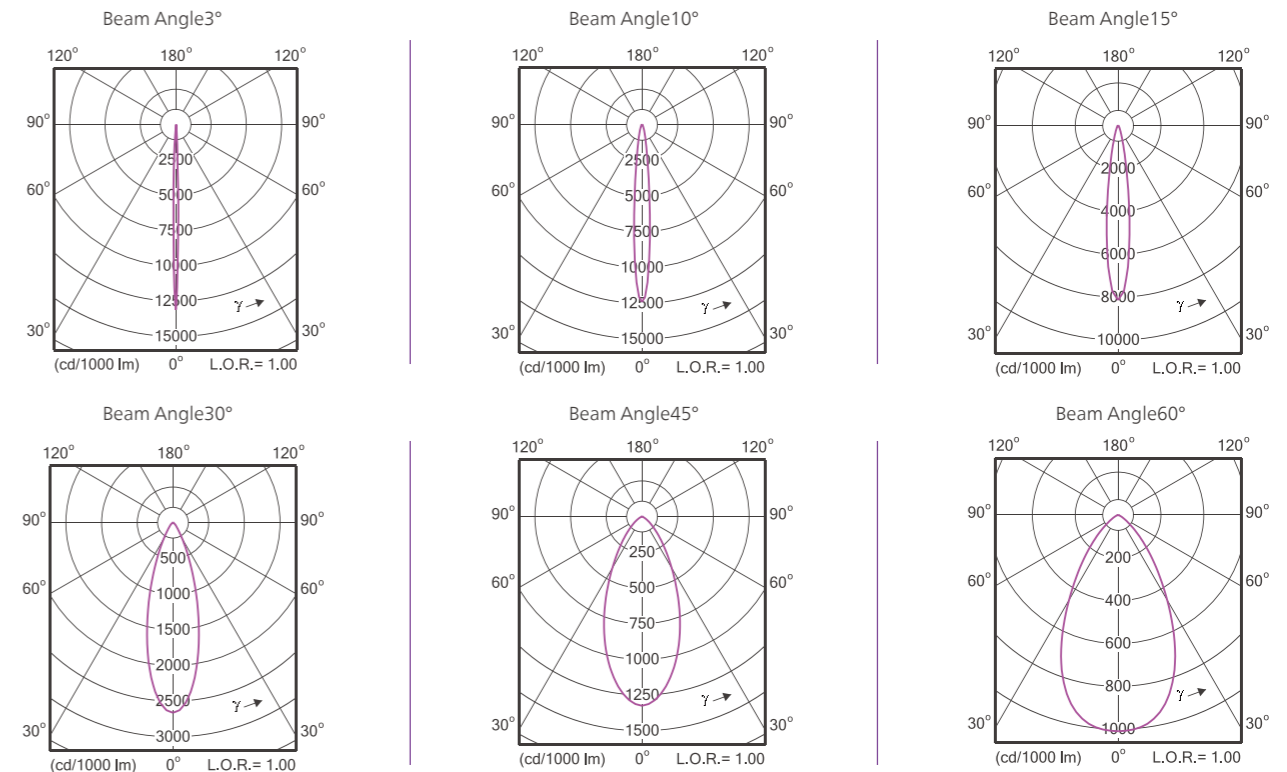
LxWxH.mm

BVP353



Light Distribution Curve

BVP353





UniFlood M G2 (Dual-head)

Specifications

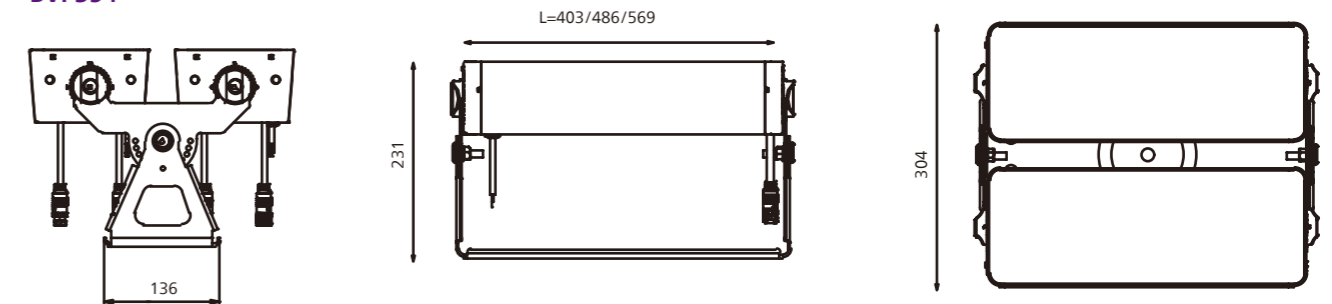
	Product Series	UniFlood M G2 Dual-head (BVP354)	
Optical Parameters	Light Source	High-power LED	
	Lumen Maintenance	50000 hours L70B50 at 35°C	
	Max. LEDs	72LED	144LED
	Beam Angle	3°	10°,15°,30°,45°,60°
	Maximum Power	200W	300W
	Standard Color Temperature	3000K, 4000K	
	Optional Colors	RGB, RGBNW, RGBWW	
	CRI	80	
	White Light Color Tolerance	SDCM<=4	
	Color Wavelength Range	R: 620 to 625nm; G: 525 to 530nm; B: 470 to 475nm	
Luminaire Body Parameters	Housing	Aluminum profile	
	Surface	Electrostatically Sprayed Polyester Powder Coating	
	Housing Color	Dark Grey (RAL7012)	
	Bracket Material	Cold-rolled steel	
	Angle Adjustment	±45°	
	Lens Material	High-optical-efficiency PMMA lens with anti-aging and UV-resistant properties	
	Gasket	Silicone	
	Luminous Surface	Clear tempered glass	
	LxWxH.mm	L: 403/486/569 x W:304 x H: 231mm (with bracket)	
	Weight	11.5-14kg	
Electrical Parameters	Temperature Range	-40°C to 50°C (Operating)	-35°C to 50°C (Startup)
			-40°C to 70°C (Storage)
	Protection Class	IP66, IK06	
Electrical Parameters	Control	On/Off & DMX512 (custom RDM)	
	Input Voltage	220-240 VAC, 50/60Hz	
Others	Certificate	CQC,CB,CE	
	Warranty Period	5 years	
	Accessories / ETO Options	Glare Shield (Three-sided / Four-sided), Striped / Honeycomb Louver	

LED, Beam Angle, and Power Specifications

Model	UniFlood M G2 Dual-head (BVP354)					
Length	L40 – 403mm		L50 – 486mm		L57 – 569mm	
LEDs	48LED	96LED	60LED (Single white & RGB)	64LED (RGBW)	120LED	144LED
Beam Angle	3°	10°,15°,30°,45°,60°	3°		10°,15°,30°,45°,60°	3°, 10°, 15°, 30°, 45°, 60°
Maximum Power	120W	200W	160W		240W	200W, 300W

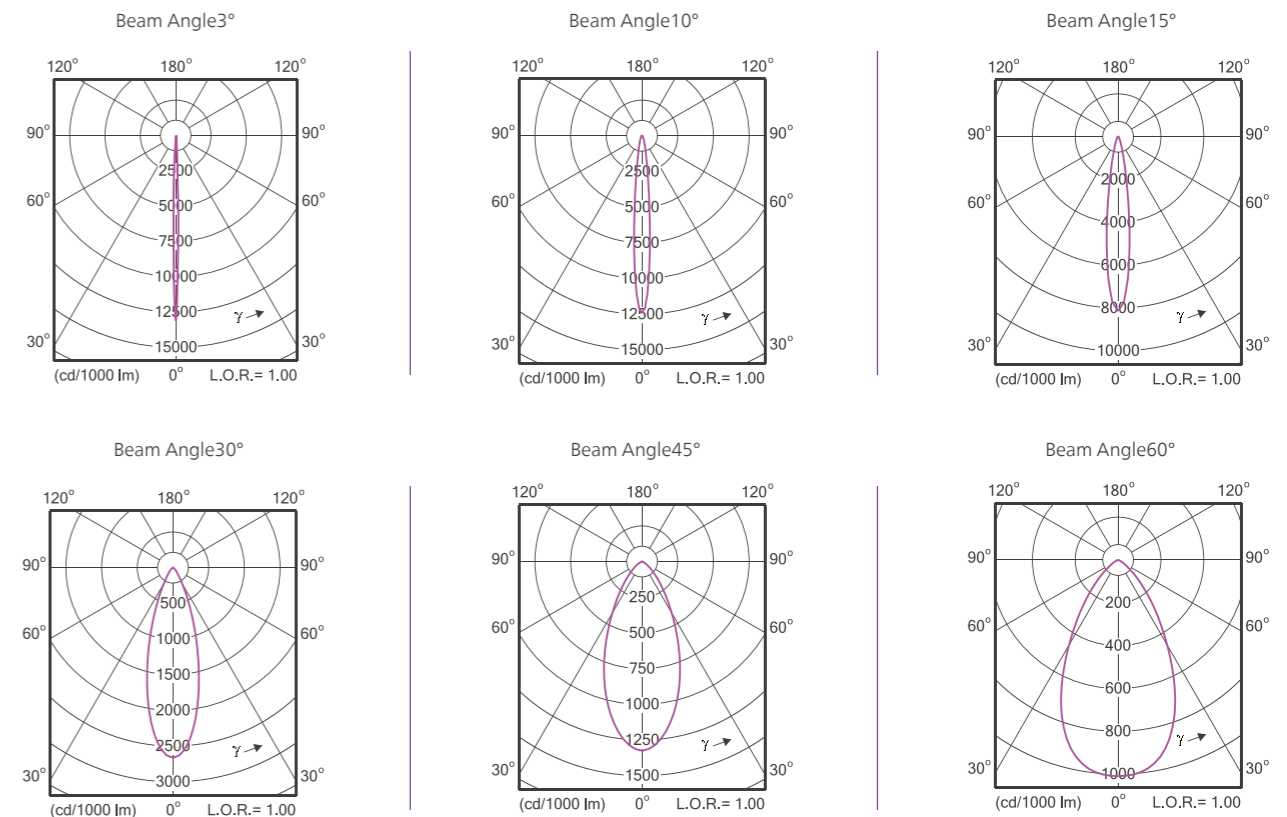
LxWxH.mm

BVP354



Light Distribution Curve

BVP354





**UniFlood M G2
(Triple-head)**

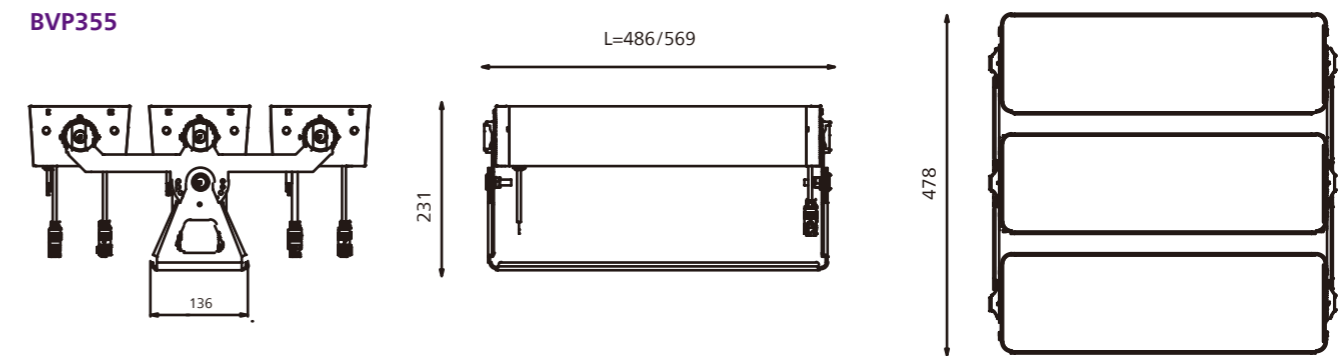
Specifications

	Product Series	UniFlood M G2 Triple-head (BVP355)	
Optical Parameters	Light Source	High-power LED	
	Lumen Maintenance	50000 hours L70B50 at 35°C	
	Max. LEDs	108LED	216LED
	Beam Angle	3°	10°,15°,30°,45°,60°
	Maximum Power	300W	450W
	Standard Color Temperature	3000K, 4000K	
	Optional Colors	RGB, RGBNW, RGBWW	
	CRI	80	
	White Light Color Tolerance	SDCM<=4	
	Color Wavelength Range	R: 620 to 625nm; G: 525 to 530nm; B: 470 to 475nm	
Luminaire Body Parameters	Housing	Aluminum profile	
	Surface	Electrostatically Sprayed Polyester Powder Coating	
	Housing Color	Dark Grey (RAL7012)	
	Bracket Material	Cold-rolled steel	
	Angle Adjustment	±45°	
	Lens Material	High-optical-efficiency PMMA lens with anti-aging and UV-resistant properties	
	Gasket	Silicone	
	Luminous Surface	Clear tempered glass	
	LxWxH.mm	L: 486/569 x W: 478 x H: 231mm (with bracket)	
	Weight	18.75 - 20.75kg	
Electrical Parameters	Temperature Range	-40°C to 50°C (Operating)	-35°C to 50°C (Startup)
			-40°C to 70°C (Storage)
	Protection Class	IP66, IK06	
Others	Control	On/Off & DMX512 (custom RDM)	
	Input Voltage	220-240 VAC, 50/60Hz	
Others	Certificate	CQC,CB,CE	
	Warranty Period	5 years	
	Accessories / ETO Options	Glare Shield (Three-sided / Four-sided), Striped / Honeycomb Louver	

LED, Beam Angle, and Power Specifications

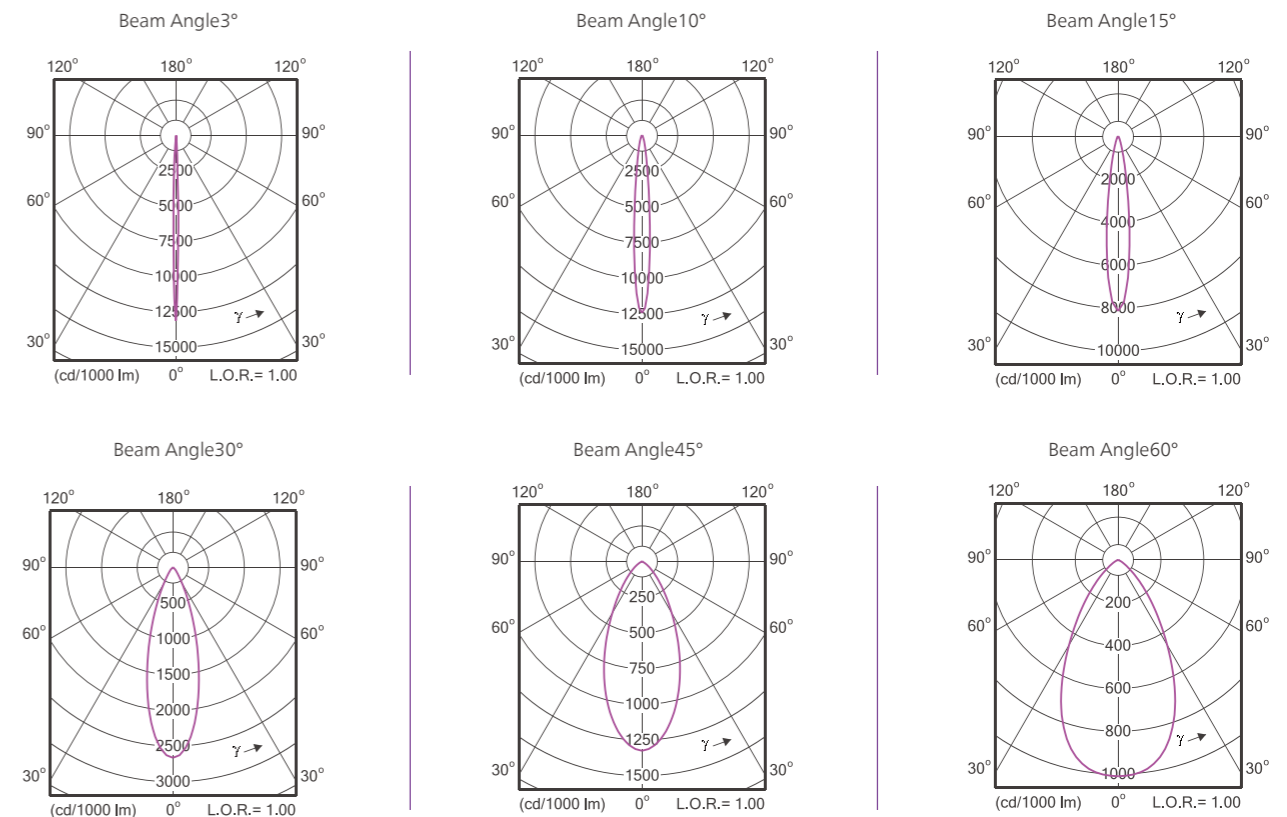
Model	UniFlood M G2 Triple-head (BVP355)			
Length	L50 – 486mm		L57 – 569mm	
LEDs	90LED (Single white & RGB)	96LED (RGBW)	180LED	108LED 216LED
Beam Angle	3°		10°,15°,30°, 45°,60°	3° 10°, 15°, 30°, 45°, 60°
Maximum Power	240W		360W	300W 450W

LxWxH.mm



Light Distribution Curve

BVP355



UniFlood C Pro



Compact BVP371 Mini BVP372 Medium BVP373 Large BVP374

The UniFlood C Pro is a circular, outdoor-rated architectural LED floodlight designed specifically for facade, Architecture, and floodlighting applications. The innovative outer ring design, robust mechanical construction, and efficient optical design make it an ideal choice for illuminating multi-level facades, bridges, landmarks, and monuments. This product offers a variety of color temperatures and color options, six different beam angles, and DMX512 control, facilitating architects and designers to freely explore and perfectly realize various lighting concepts and designs. The luminaire features a high-strength die-cast aluminum housing combined with tempered glass, ensuring reliable quality and stable performance.

Features

High quality



- Maximum luminous flux output: 12,900lm (4000K, 30°)
- UV-resistant, high-efficiency PMMA lens
- Lumen Maintenance - white: 50,000 hours L70 at 35°C
Color: 50,000 hours L50 at 35°C

Optimal effect



- Various lens options available, with a minimum beam angle of 3.5 degrees
- Glare Shield, with built-in honeycomb louver among multiple accessory options to enhance glare control
- Standard On-Off & DMX control mode ensuring optimal presentation of lighting effects

Stable and reliable



- The luminaire features a high-strength die-cast aluminum housing combined with tempered glass, ensuring reliable quality and stable performance
- The luminous surface features a self-draining design to prevent water accumulation and dust buildup, particularly suited for upward floodlighting applications
- Optimized heat dissipation design, withstanding high temperatures and extreme cold
- Equipped with a built-in anti-fall chain and a premium-quality breather

Convenient and simple



- Signal wires are connected in a daisy chain manner, equipped with built-in IP67 waterproof connectors
- Dedicated address lines for faster and easier DMX addressing, compatible with the handheld address writer (ZXP399)
- Grounding accessories available (for compact only)





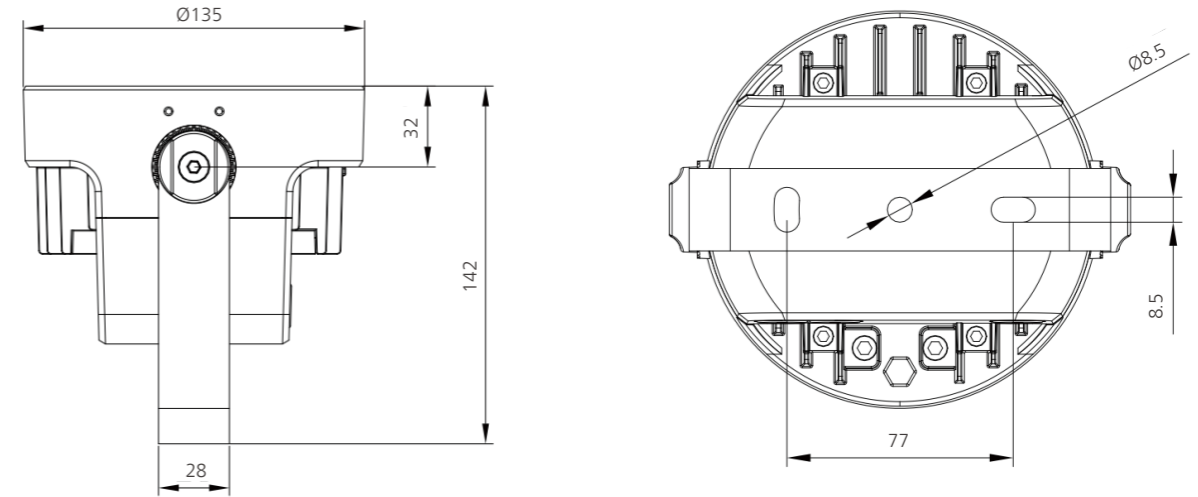
**UniFlood C Pro
(Compact)**

Specifications

	Product Series	UniFlood C Pro Compact (BVP371)
Optical Parameters	Light Source	High-power LED
	Lumen Maintenance	50000 hours L70B50 at 35°C
	Max. LEDs	12LED
	Beam Angle	10°, 15°, 30°, 45°, 60°
	Maximum Power	24W
	Optional Color Temperature	3000K, 4000K
	Optional Colors	RGB, RGBWW, RGBNW
	CRI	80
	White Light Color Tolerance	SDCM<=4
	Color Wavelength Range	R: 620 to 625nm; G: 525 to 530nm; B: 470 to 475nm
Luminaire Body Parameters	Housing	Die-cast aluminum
	Surface	Electrostatically Sprayed Polyester Powder Coating
	Housing Color	Dark Grey (RAL7012)
	Bracket Material	Cold-rolled steel
	Angle Adjustment	±90°
	Lens Material	High-optical-efficiency PMMA lens with anti-aging and UV-resistant properties
	Gasket	Silicone
	Luminous Surface	Clear tempered glass
	LxWxH.mm	Ø135mmx142mm (with bracket)
	Weight	1.8kg
Electrical Parameters	Temperature Range	-40°C to 50°C (Operating) -35°C to 50°C (Startup) -40°C to 70°C (Storage)
	Protection Class	IP66, IK06
	Control	On/Off & DMX512 (custom RDM)
Others	Input Voltage	220-240 VAC, 50/60Hz
	Certificate	CE, CB, CQC
	Warranty Period	5 years
	Accessories / ETO Options	Glare Shield / Built-in Louver

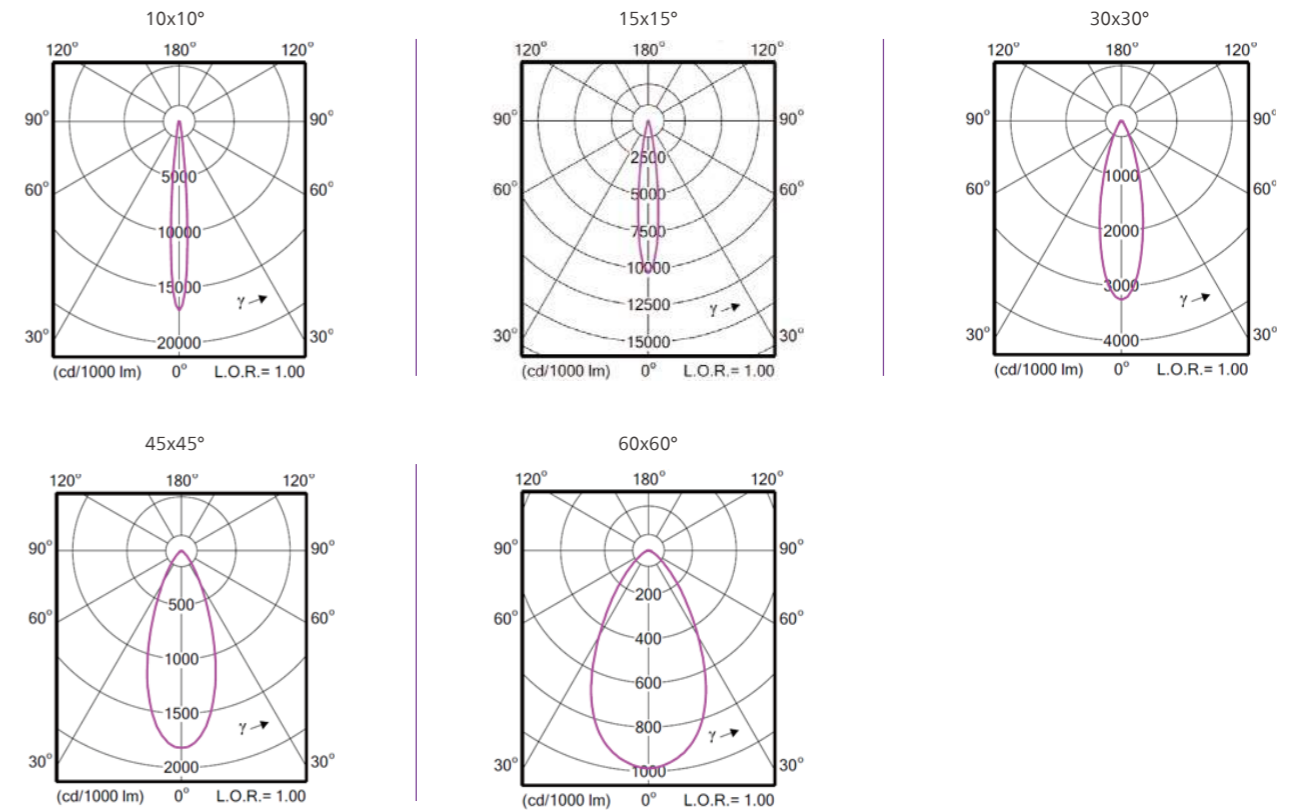
LxWxH.mm

BVP371



Light Distribution Curve

BVP371

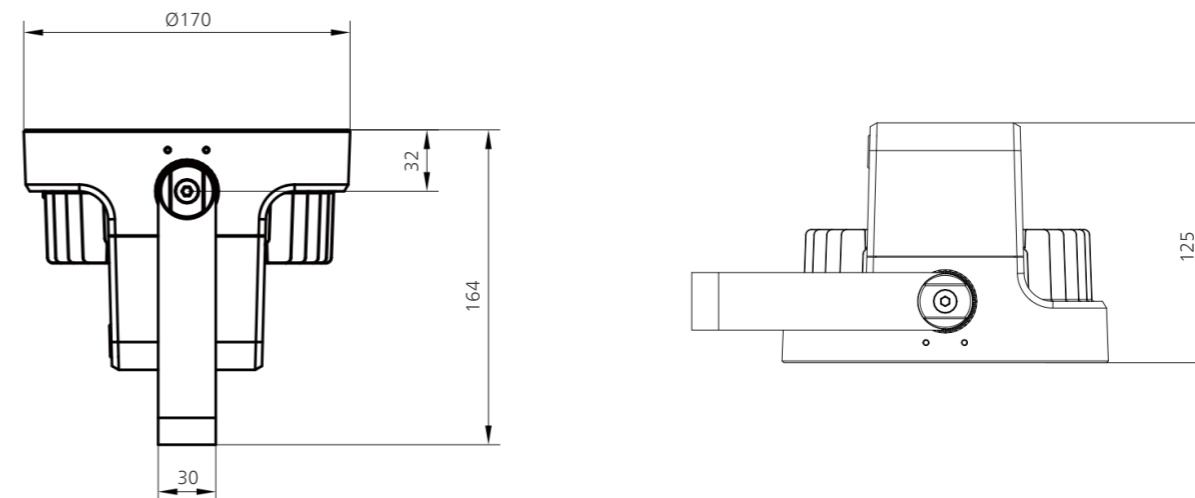




UniFlood C Pro (Mini)

LxWxH.mm

BVP372

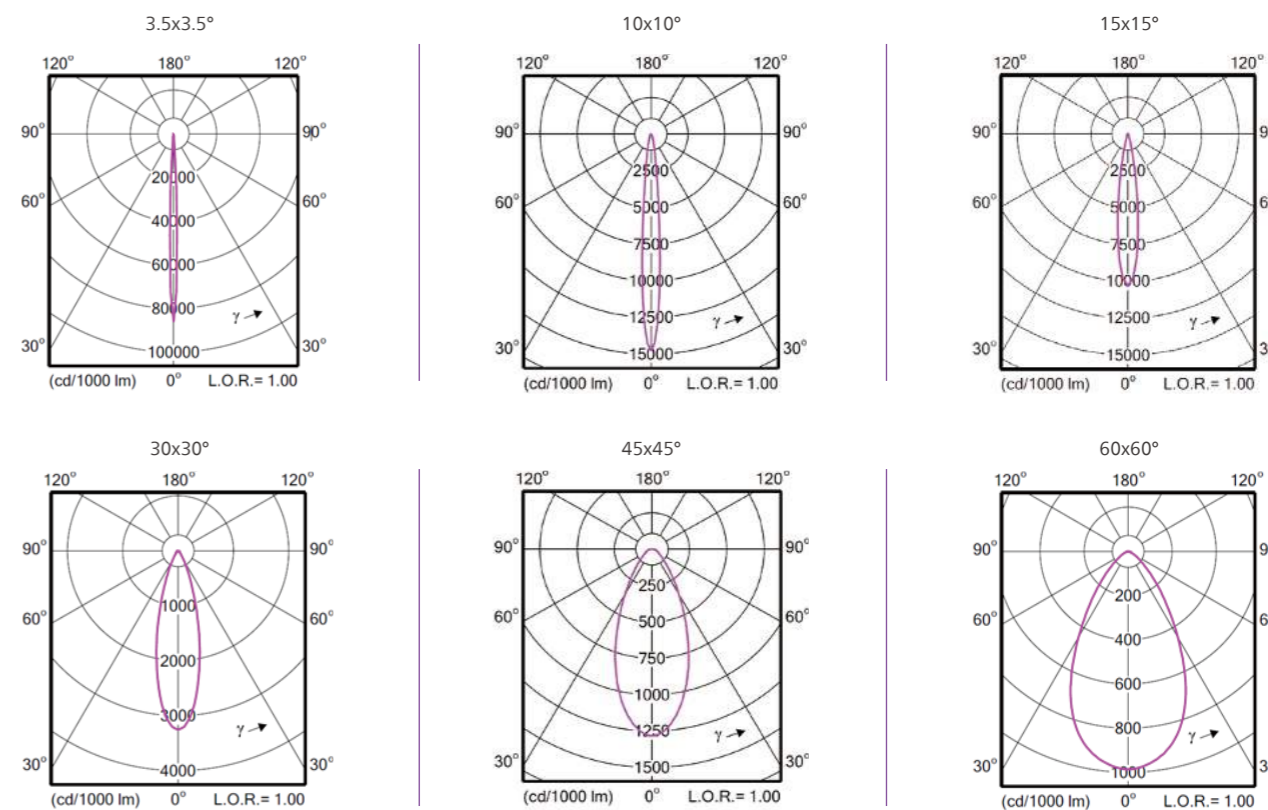


Specifications

	Product Series	UniFlood C Pro Small (BVP372)		
Optical Parameters	Light Source	High-power LED		
	Lumen Maintenance	50000 hours L70B50 at 35°C		
	Max. LEDs	6LED	15/16LED	18/20LED
	Beam Angle	3.5°	10°, 15°, 30°, 45°, 60°	
	Maximum Power	15W	40W	50W
	Optional Color Temperature	3000K, 4000K		
	Optional Colors	RGB, RGBWW, RGBNW		
	CRI	80		
	White Light Color Tolerance	SDCM<=4		
	Color Wavelength Range	R: 620 to 625nm; G: 525 to 530nm; B: 470 to 475nm		
Luminaire Body Parameters	Housing	Die-cast aluminum		
	Surface	Electrostatically Sprayed Polyester Powder Coating		
	Housing Color	Dark Grey (RAL7012)		
	Bracket Material	Cold-rolled steel		
	Angle Adjustment	±90°		
	Lens Material	High-optical-efficiency PMMA lens with anti-aging and UV-resistant properties		
	Gasket	Silicone		
	Luminous Surface	Clear tempered glass		
	LxWxH.mm	Ø170mmx164mm (with bracket)		
	Weight	3kg		
Electrical Parameters	Temperature Range	-40°C to 50°C (Operating) -35°C to 50°C (Startup) -40°C to 70°C (Storage)		
	Protection Class	IP66, IK06		
	Control	On/Off & DMX512 (custom RDM)		
Others	Input Voltage	220-240 VAC, 50/60Hz		
	Certificate	CE, CB, CQC		
	Warranty Period	5 years		
	Accessories / ETO Options	Glare Shield / Built-in Louver		

Light Distribution Curve

BVP372





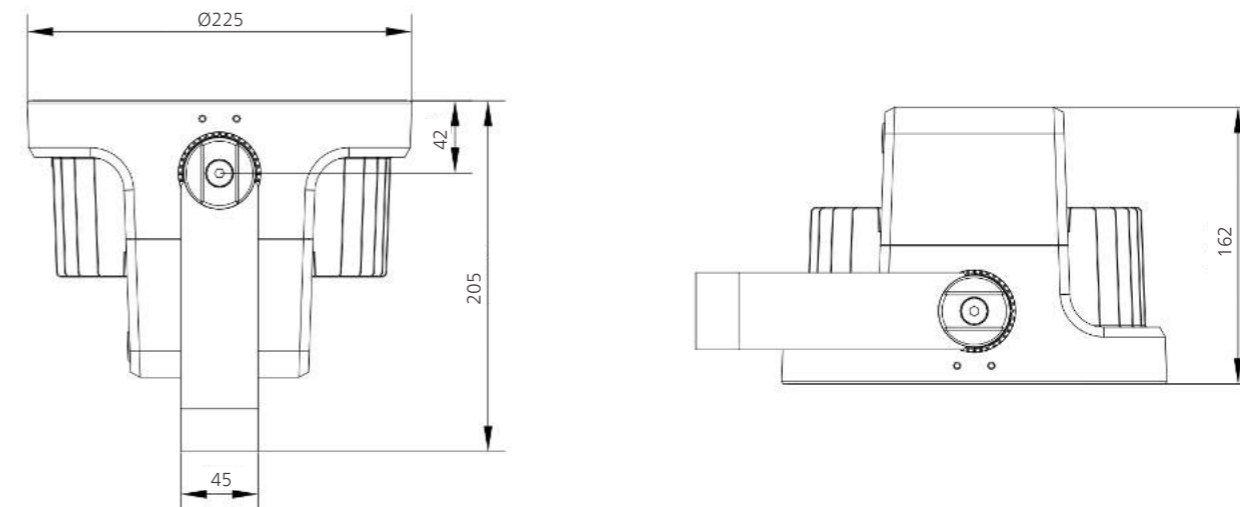
UniFlood C Pro (Medium)

Specifications

	Product Series	UniFlood C Pro Medium (BVP373)		
Optical Parameters	Light Source	High-power LED		
	Lumen Maintenance	50000 hours L70B50 at 35°C		
	Max. LEDs	18LED	30/32LED	36LED
	Beam Angle	3.5°	10°, 15°, 30°, 45°, 60°	
	Maximum Power	45W	80W	100W
	Optional Color Temperature	3000K, 4000K		
	Optional Colors	RGB, RGBWW, RGBNW		
	CRI	80		
	White Light Color Tolerance	SDCM<=4		
	Color Wavelength Range	R: 620 to 625nm; G: 525 to 530nm; B: 470 to 475nm		
Luminaire Body Parameters	Housing	Die-cast aluminum		
	Surface	Electrostatically Sprayed Polyester Powder Coating		
	Housing Color	Dark Grey (RAL7012)		
	Bracket Material	Cold-rolled steel		
	Angle Adjustment	±90°		
	Lens Material	High-optical-efficiency PMMA lens with anti-aging and UV-resistant properties		
	Gasket	Silicone		
	Luminous Surface	Clear tempered glass		
	LxWxH.mm	Ø225mmx205mm (with bracket)		
	Weight	6kg		
Electrical Parameters	Temperature Range	-40°C to 50°C (Operating) -35°C to 50°C (Startup) -40°C to 70°C (Storage)		
	Protection Class	IP66, IK06		
	Control	On/Off & DMX512 (custom RDM)		
	Input Voltage	220-240 VAC, 50/60Hz		
Others	Certificate	CE, CB, CQC		
	Warranty Period	5 years		
	Accessories / ETO Options	Glare Shield / Built-in Louver		

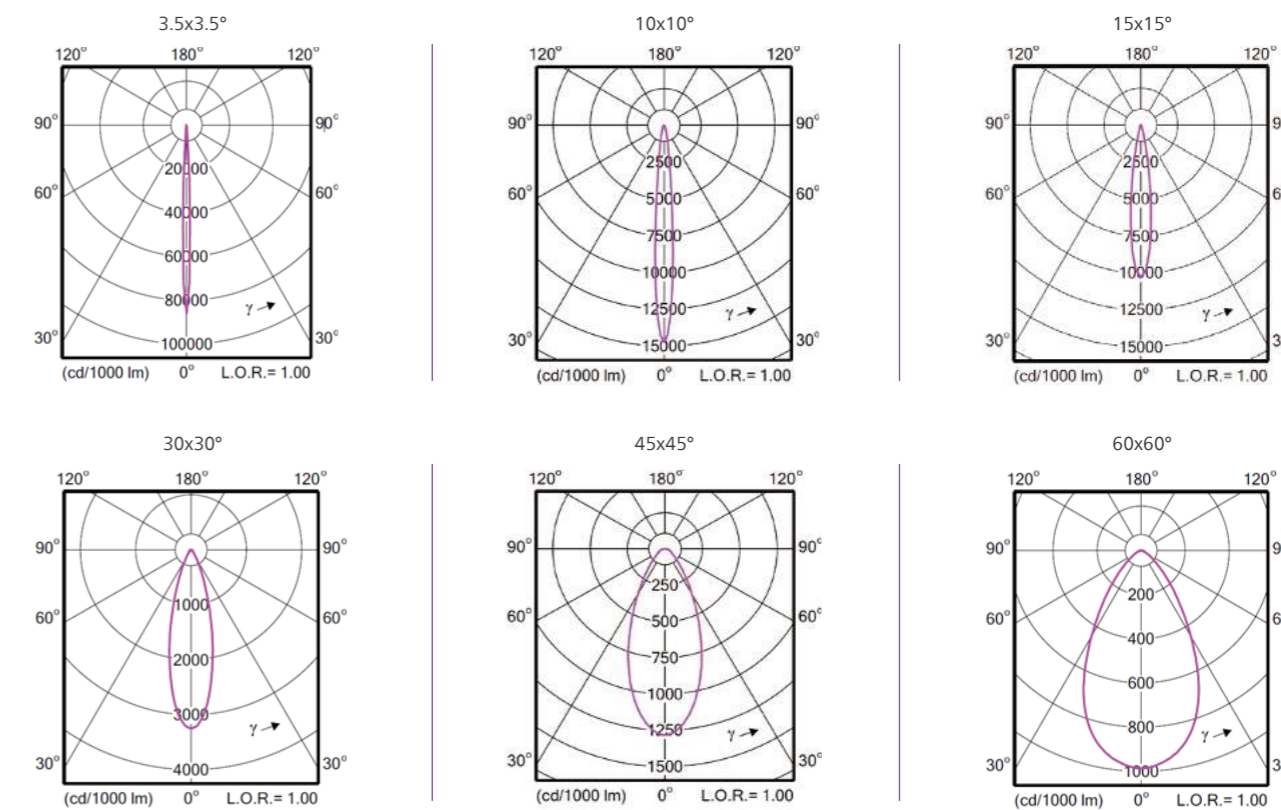
LxWxH.mm

BVP373



Light Distribution Curve

BVP373

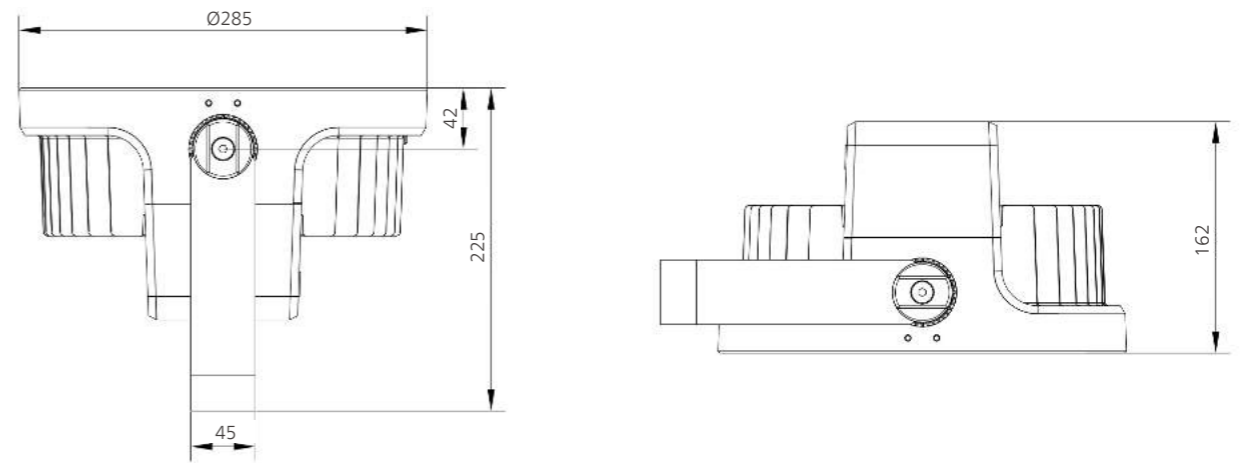




UniFlood C Pro (Large)

LxWxH.mm

BVP374

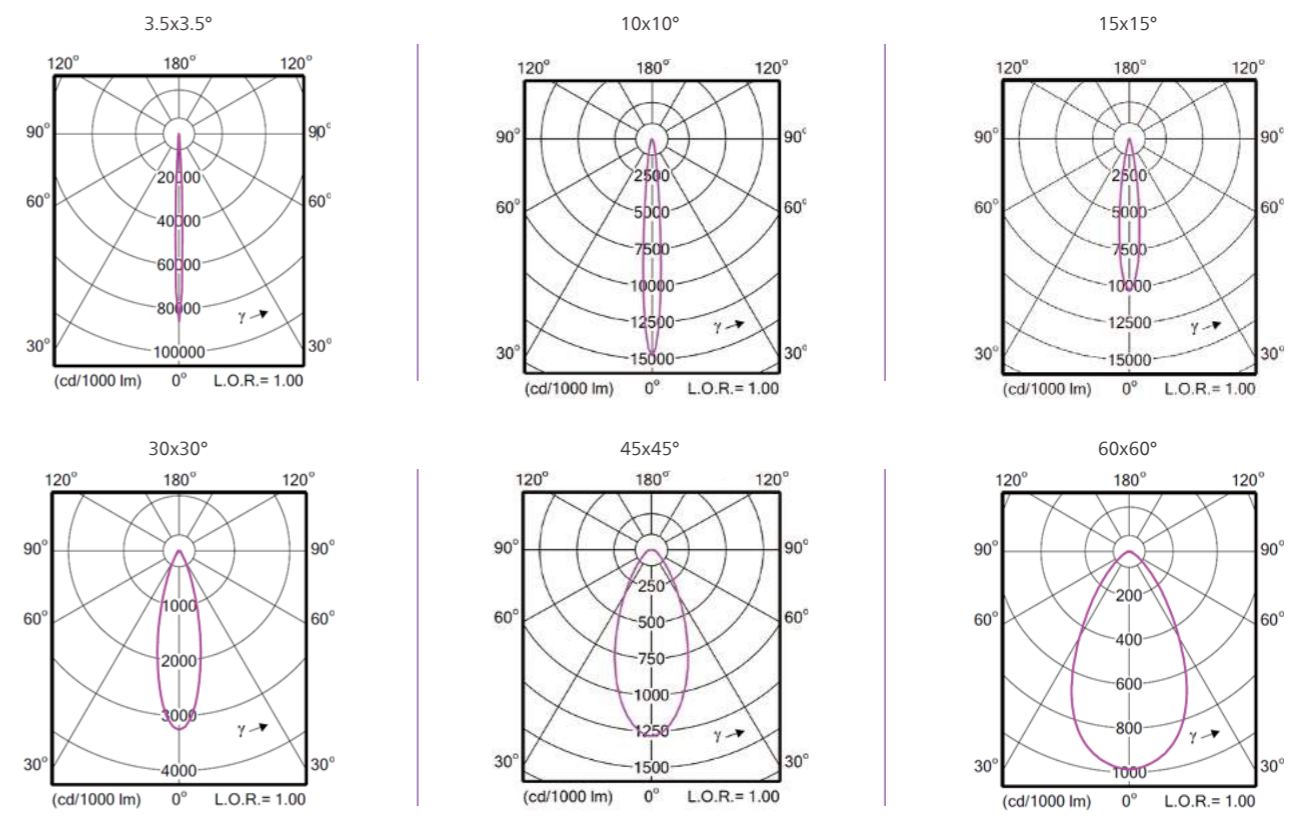


Specifications

	Product Series	UniFlood C Pro Large (BVP374)		
Optical Parameters	Light Source	High-power LED		
	Lumen Maintenance	50000 hours L70B50 at 35°C		
	Max. LEDs	30LED	48LED	60LED
	Beam Angle	3.5°	10°, 15°, 30°, 45°, 60°	
	Maximum Power	80W	120W	150W
	Optional Color Temperature	3000K, 4000K		
	Optional Colors	RGB, RGBWW, RGBNW		
	CRI	80		
	White Light Color Tolerance	SDCM<=4		
	Color Wavelength Range	R: 620 to 625nm; G: 525 to 530nm; B: 470 to 475nm		
Luminaire Body Parameters	Housing	Die-cast aluminum		
	Surface	Electrostatically Sprayed Polyester Powder Coating		
	Housing Color	Dark Grey (RAL7012)		
	Bracket Material	Cold-rolled steel		
	Angle Adjustment	±90°		
	Lens Material	High-optical-efficiency PMMA lens with anti-aging and UV-resistant properties		
	Gasket	Silicone		
	Luminous Surface	Clear tempered glass		
	LxWxH.mm	Ø285mmx225mm (with bracket)		
	Weight	8kg		
Electrical Parameters	Temperature Range	-40°C to 50°C (Operating) -35°C to 50°C (Startup) -40°C to 70°C (Storage)		
	Protection Class	IP66, IK06		
	Control	On/Off & DMX512 (custom RDM) 220-240 VAC, 50/60Hz		
Others	Certificate	CE, CB, CQC		
	Warranty Period	5 years		
	Accessories / ETO Options	Glare Shield / Built-in Louver		

Light Distribution Curve

BVP374



UniStrip G5 DC (Low Voltage Version)



BCP356

BCP351

BCP352

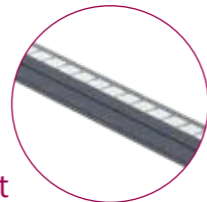
UniStrip G5 DC (Low Voltage Version) is a surface-mounted, compact LED wall washer and grazer designed specifically for exterior and outdoor architectural lighting applications. Its robust mechanical build and unique optical design make it an ideal choice for illuminating building facades, bridges, overpasses, and any application requiring a linear lighting solution.

Features



High quality

- Multi-pixel point solution (standard products can achieve up to 8 segments / meter)
- Lumen Maintenance - white: 50,000 hours L70 at 35°C; color: 50,000 hours L50 at 35°C



Optimal effect

- Various high-quality PMMA or PC lenses



Stable and reliable

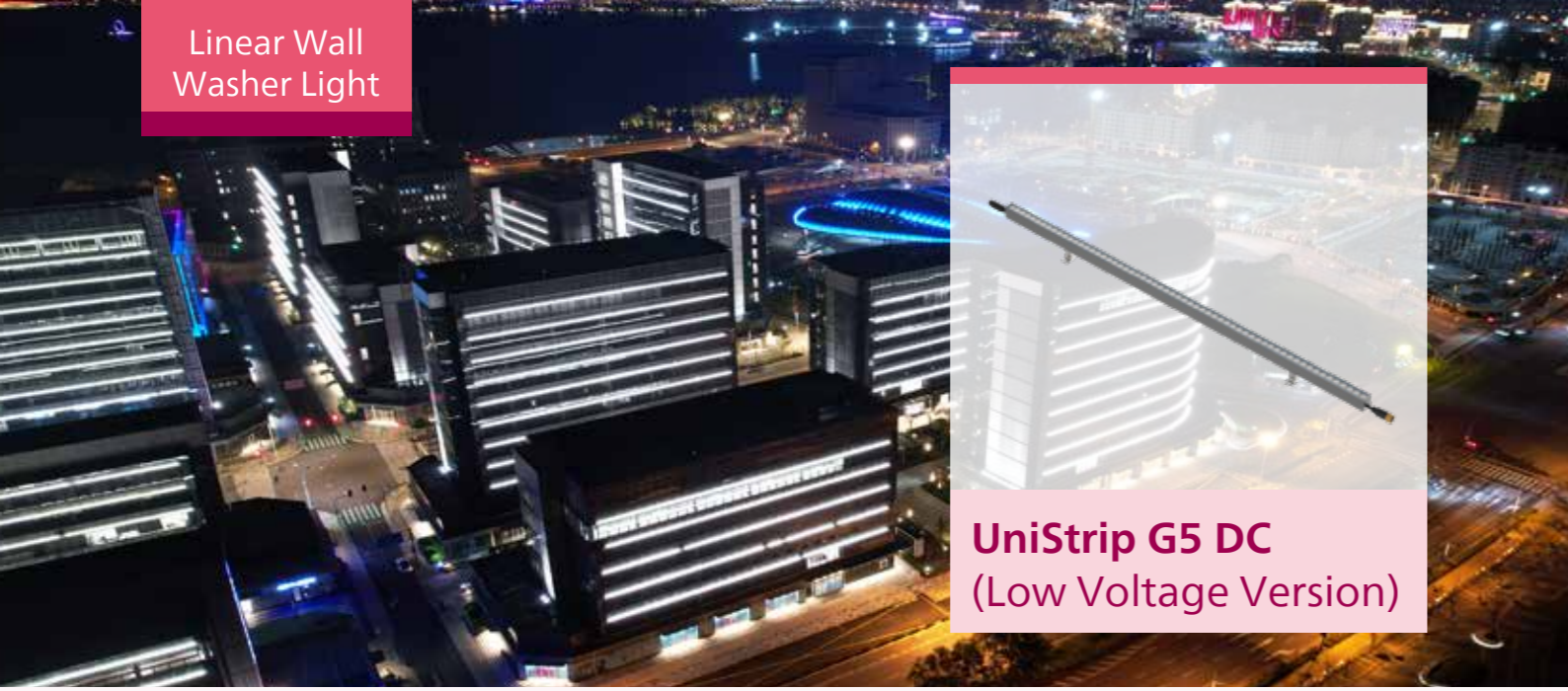
- The luminaire and end caps feature a self-draining design to prevent water accumulation and dust buildup
- Optional anti-glare hood for a more comfortable visual experience



Convenient and simple

- Power and signal wires are connected in a daisy chain manner, equipped with built-in IP67 waterproof connectors
- Dedicated address lines for faster and easier DMX addressing, compatible with the handheld address writer (ZXP399)

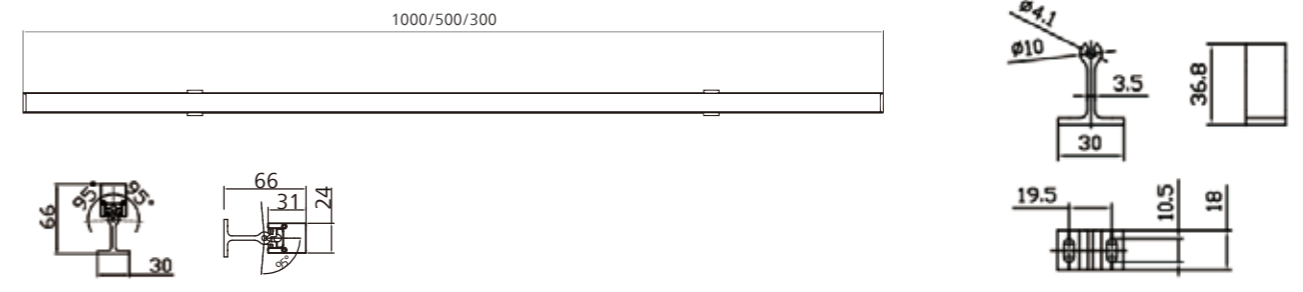




UniStrip G5 DC
(Low Voltage Version)

LxWxH.mm

BCP356

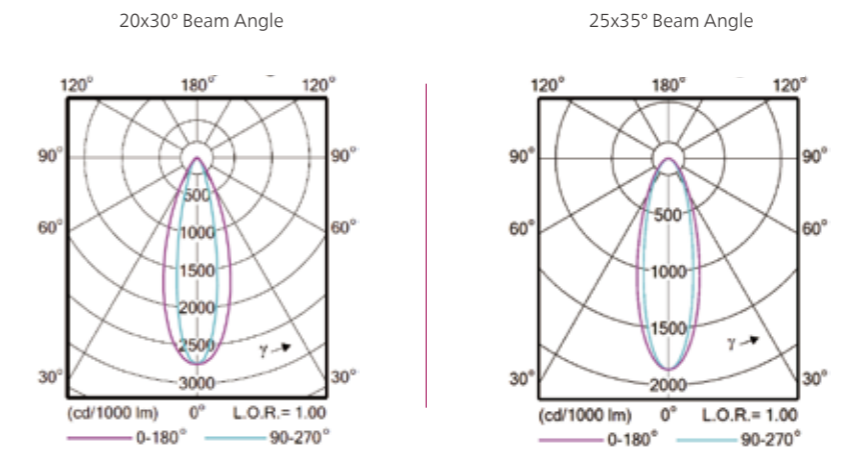


Specifications

	Product Series	UniStrip G5 DC (Low Voltage Version)(BCP356)								
Optical Parameters	Light Source	Low-power LED								
	Lumen Maintenance	50000 hours L70B50 at 35°C								
	Max. LEDs	300mm			500mm			1000mm		
		18LED (Single White)	12LED (RGB)	12LED (RGBW)	30LED (Single White)	24LED (RGB)	30LED (RGBW)	60LED (Single White)	48LED (RGB)	60LED (RGBW)
	Beam Angle	30°/45°/60°/20x30°(White); 30°/25x35°(Color)								
	Maximum Power	4.5W	3W	3.6W	7.5W	6W	7.5W	15W	12W	15W
	Optional Color Temperature	3000K, 4000K								
	Optional Colors	RGB, RGBW								
	CRI	80								
	White Light Color Tolerance	SDCM<=4								
Luminaire Body Parameters	Color Wavelength Range	R: 620 to 625nm; G: 525 to 530nm; B: 470 to 475nm								
	Housing	Extruded aluminum housing + die-cast aluminum end caps								
	Surface	Electrostatically applied polyester powder coating								
	Housing Color	Dark Grey (RAL7012)								
	Bracket Material	Extruded aluminum								
	Angle Adjustment	Adjustable angle ±95°								
	Lens Material	UV-resistant and aging-resistant PMMA or PC lens								
	Gasket	Silicone								
	Luminous Surface	Clear tempered glass								
	LxWxH.mm	1000/500/300mmx24mmx66mm								
	Weight	0.3kg			0.45kg			0.85kg		
		Temperature Range								
	-40°C to 50°C (Operating)									
	-35°C to 50°C (Startup)									
	-40°C to 70°C (Storage)									
Protection Class	IP66, IK06									
Electrical Parameters	Control	On / Off or DMX512 (supports multi-segment control, e.g., 8 segments / meter)								
	Input Voltage	24V DC								
Others	Certificate	CQC, CB, CE								
	Warranty Period	5 years								
	Accessories / ETO Options	Glare Shield / Steel wire rope								

Light Distribution Curve

BCP356





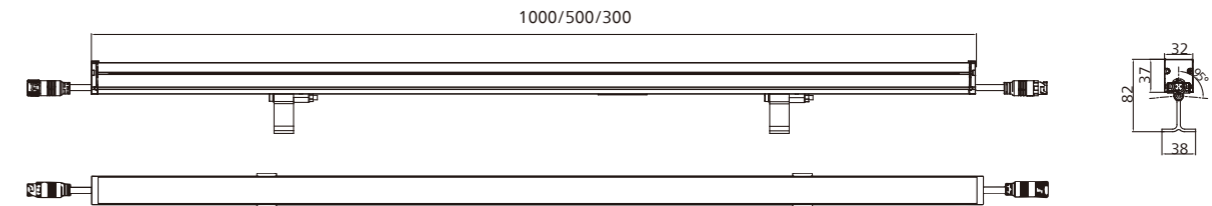
UniStrip G5 DC
(Low Voltage Version)

Specifications

	Product Series	UniStrip G5 DC (Low Voltage Version) (BCP351)			
Optical Parameters	Light Source	Low-power LED			
	Lumen Maintenance	50000 hours L70B50 at 35°C			
	Max. LEDs	300mm	500mm	1000mm	
		9LED (Single White)	8LED (RGBW)	12LED	24LED
	Beam Angle	17°/30°/45°/60°/12°x45°/15°x30°/20°x55°(White);15°/25°/40°/12°x45°/15°x55°(RGBW)			
	Maximum Power	9W	8W	12W	24W
	Optional Color Temperature	3000K, 4000K			
	Optional Colors	RGB, RGBW			
	CRI	80			
	White Light Color Tolerance	SDCM≤4			
Luminaire Body Parameters	Color Wavelength Range	R: 620 to 625nm; G: 525 to 530nm; B: 470 to 475nm			
	Housing	Extruded aluminum housing + die-cast aluminum end caps			
	Surface	Electrostatically applied polyester powder coating			
	Housing Color	Dark Grey (RAL7012)			
	Bracket Material	Extruded aluminum			
	Angle Adjustment	Adjustable angle ±95°			
	Lens Material	UV-resistant and aging-resistant PMMA or PC lens			
	Gasket	Silicone			
	Luminous Surface	Clear tempered glass			
	LxWxH.mm	1000/500/300mmx38mmx82mm			
	Weight	0.36kg	0.7kg	1.3kg	
	Temperature Range	-40°C to 50°C (Operating) -35°C to 50°C (Startup) -40°C to 70°C (Storage)			
	Protection Class	IP66, IK06			
Electrical Parameters	Control	On / Off or DMX512 (supports multi-segment control, e.g., 8 segments / meter)			
	Input Voltage	24V DC			
Others	Certificate	CQC, CB, CE			
	Warranty Period	5 years			
	Accessories / ETO Options	Glare Shield / Steel wire rope			

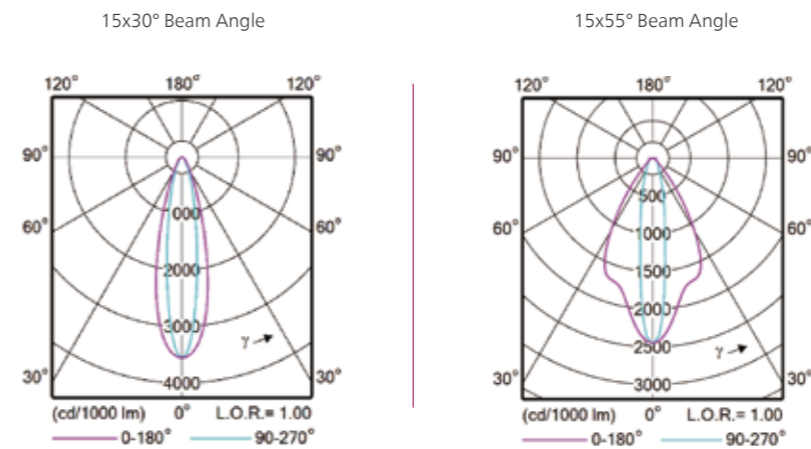
LxWxH.mm

BCP351



Light Distribution Curve

BCP351

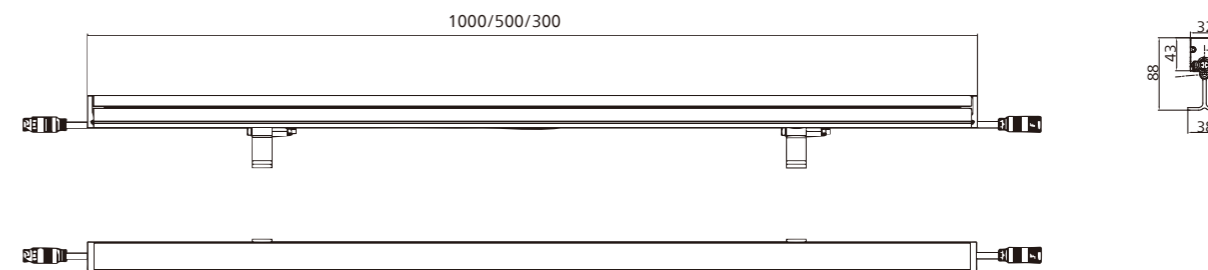




UniStrip G5 DC
(Low Voltage Version)

LxWxH.mm

BCP352

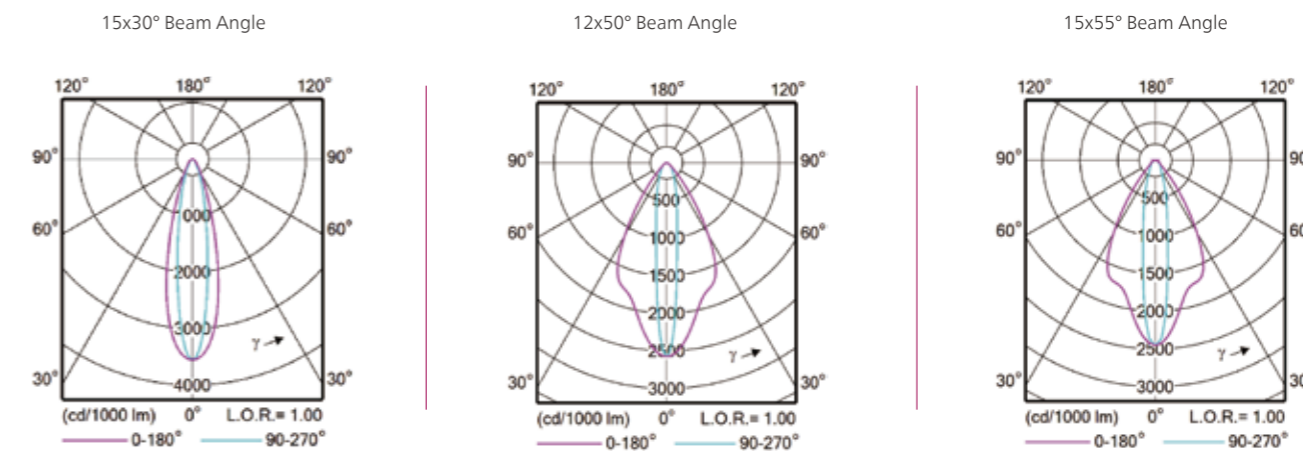


Specifications

	Product Series	UniStrip G5 DC (Low Voltage Version)(BCP352)				
Optical Parameters	Light Source	Low-power LED				
	Lumen Maintenance	50000 hours L70B50 at 35°C				
	Max. LEDs	300mm		500mm		1000mm
		12LED (Single white/RGB)	6LED (RGBW)	18LED (Single white/RGB)	12LED (RGBW)	36LED (WH/RGB)
	Beam Angle	12°/17°/30°/45°/60°/15°x30°/20°x55°(White)				
		15°/30°/45°/60°/12°x30°/12°x50°(RGB)				
		15°/25°/40°/60°/12°x45°/15°x55°(RGBW)				
	Maximum Power	12W	6W	18W		36W
	Optional Color Temperature	3000K, 4000K				
	Optional Colors	RGB, RGBW				
CRI	80					
White Light Color Tolerance	SDCM<=4					
Color Wavelength Range	R: 620 to 625nm; G: 525 to 530nm; B: 470 to 475nm					
Luminaire Body Parameters	Housing	Extruded aluminum housing + die-cast aluminum end caps				
	Surface	Electrostatically applied polyester powder coating				
	Housing Color	Dark Grey (RAL7012)				
	Bracket Material	Extruded aluminum				
	Angle Adjustment	Adjustable angle ±95°				
	Lens Material	UV-resistant and aging-resistant PMMA or PC lens				
	Gasket	Silicone				
	Luminous Surface	Clear tempered glass				
	LxWxH.mm	1000/500/300mmx38mmx88mm (with bracket)				
	Weight	0.5kg	0.75kg		1.4kg	
Temperature Range	-40°C to 50°C (Operating)					
	-35°C to 50°C (Startup)					
	-40°C to 70°C (Storage)					
Protection Class	IP66, IK06					
Electrical Parameters	Control	On / Off or DMX512 (supports multi-segment control, e.g., 8 segments / meter)				
	Input Voltage	24V DC				
Others	Certificate	CQC, CB, CE				
	Warranty Period	5 years				
	Accessories / ETO Options	Glare Shield / Steel wire rope				

Light Distribution Curve

BCP352



UniStrip G5 AC (High Voltage Version)



BCP354



BCP385

UniStrip G5 AC (High Voltage Version) is a surface-mounted, compact LED wall washer designed specifically for facade and outdoor architectural lighting applications. Its robust mechanical build and unique optical design make it an ideal choice for illuminating building facades, bridges, overpasses, and any application requiring a linear lighting solution.

Features



High quality

- Maximum luminous flux output of 8100lm (at 4000K), with a maximum power of up to 120W
- The narrowest beam angle can be 7.5°
- Lumen Maintenance - white: 50,000 hours L70 at 35°C; color: 50,000 hours L50 at 35°C



Optimal effect

- Multi-pixel point solution (up to 6 segments / meter)
- Multiple high-quality PMMA lens options available



Stable and reliable

- The luminaire and end caps feature a self-draining design to prevent water accumulation and dust buildup



Convenient and simple

- Power and signal wires are connected in a daisy chain manner, equipped with built-in IP67 waterproof connectors
- Dedicated address lines for faster and easier DMX addressing, compatible with the handheld address writer (ZXP399)





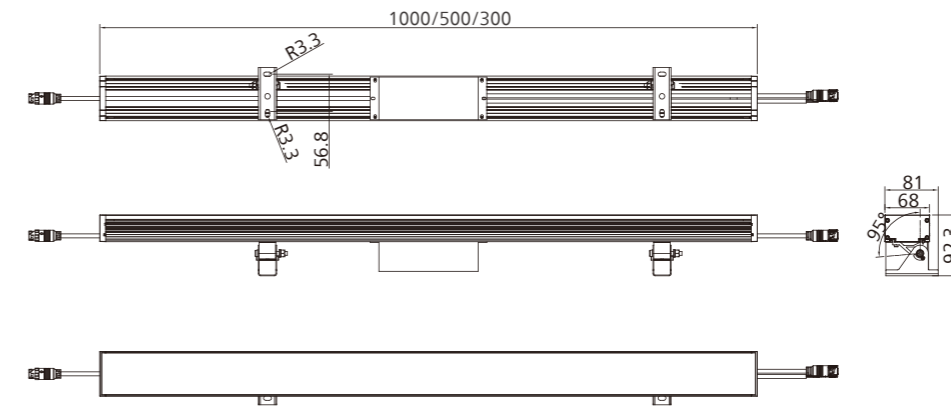
UniStrip G5 AC
(High Voltage Version)

Specifications

	Product Series	UniStrip G5 AC (High Voltage Version)(BCP354)					
Optical Parameters	Light Source	High-power LED					
	Lumen Maintenance	50000 hours L70B50 at 35°C					
	Max. LEDs	300mm		500mm		1000mm	
		18LED (Single White)	12LED (RGB/RGBW)	36LED (Single White)	18LED (RGB/RGBW)	72LED (Single White)	36LED (RGB/RGBW)
	Beam Angle	10°/15°/17°/30°/45°/60°/12°x30°/12°x50°/15°x30°/20°x55° (White)					
		10°/15°/25°/30°/40°/45°/60°/12°x30°/12°x45°/12°x50°/15°x55° (RGB/RGBW)					
	Maximum Power	32W		50W		100W	
	Optional Color Temperature	3000K, 4000K					
	Optional Colors	RGB, RGBW					
	CRI	80					
White Light Color Tolerance	SDCM<=4						
Color Wavelength Range	R: 620 to 625nm; G: 525 to 530nm; B: 470 to 475nm						
Luminaire Body Parameters	Housing	Extruded aluminum housing + die-cast aluminum end caps					
	Surface	Electrostatically applied polyester powder coating					
	Housing Color	Dark Grey (RAL7012)					
	Bracket Material	Extruded aluminum					
	Angle Adjustment	+90°and -5°Adjustable angle					
	Lens Material	Aging-resistant and UV-resistant PMMA lens					
	Gasket	Silicone					
	Luminous Surface	Clear tempered glass					
	LxWxH.mm	1000/500/300mmx81mmx92mm (with bracket)					
	Weight	1.1kg		2kg		3.6kg	
		Temperature Range					
			-40°C to 50°C (Operating)				
			-35°C to 50°C (Startup)				
		-40°C to 70°C (Storage)					
Protection Class	IP66, IK06						
Electrical Parameters	Control	On / Off or DMX512 (supports multi-segment control, e.g., 6 segments / meter)					
	Input Voltage	220V AC					
	Certificate	CQC, CB, CE					
Others	Warranty Period	5 years					
	Accessories / ETO Options	Glare Shield / Steel wire rope					

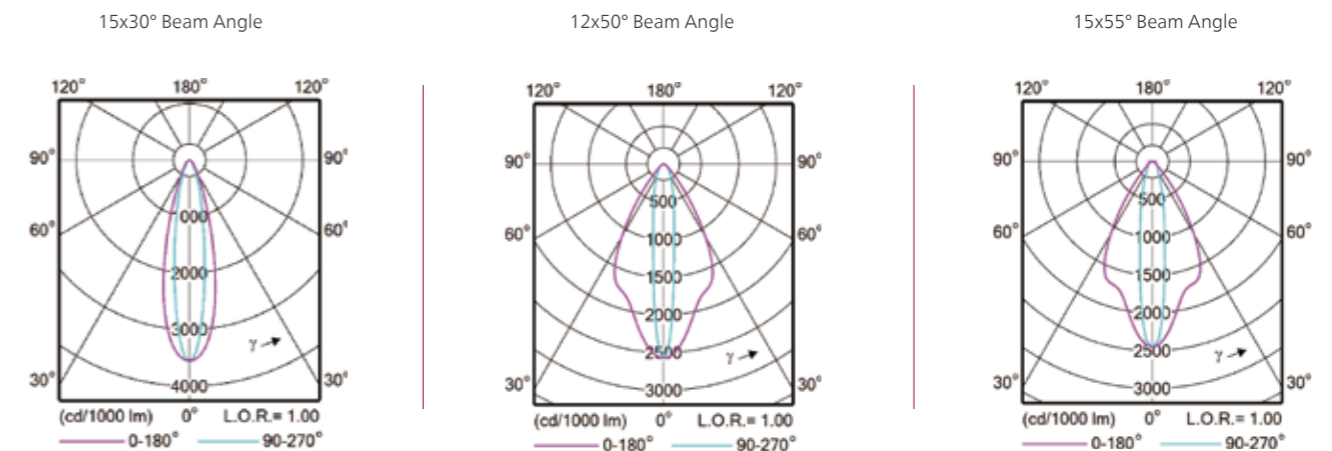
LxWxH.mm

BCP354



Light Distribution Curve

BCP354





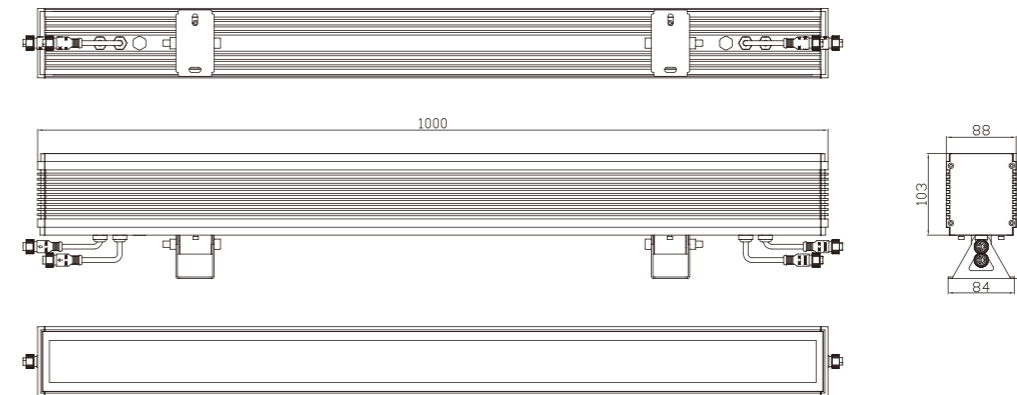
UniStrip G5 AC
(High Voltage Version)

Specifications

	Product Series	UniStrip G5 AC (High Voltage Version)(BCP385)			
Optical Parameters	Light Source	High-power LED			
	Lumen Maintenance	50000 hours L70B50 at 35°C			
	Max. LEDs	520mm		1000mm	
		6LED(RGBW) & 24LED (Single white/RGB)	30LED (Single white/RGB)	12LED (RGBW) & 48LED (Single white/RGB)	60LED (Single white/RGB)
	Beam Angle	7.5° (White), 7.5x27° (White/RGB), 15x40° (RGBW)			
	Maximum Power	50W	60W	100W	120W
	Optional Color Temperature	3000K, 4000K			
	Optional Colors	RGB, RGBW			
	CRI	80			
	White Light Color Tolerance	SDCM<=4			
Luminaire Body Parameters	Color Wavelength Range	R: 620 to 625nm; G: 525 to 530nm; B: 470 to 475nm			
	Housing	Extruded aluminum housing + die-cast aluminum end caps			
	Surface	Electrostatically applied polyester powder coating			
	Housing Color	Dark Grey (RAL7012)			
	Bracket Material	Stainless steel bracket			
	Angle Adjustment	Adjustable angle ±58°			
	Lens Material	Aging-resistant and UV-resistant PMMA lens			
	Gasket	Silicone			
	Luminous Surface	Clear tempered glass			
	LxWxH.mm	520/1000mmx158mmx88mm(with bracket)			
Temperature Range	Weight	4.5kg	8.5kg		
	Temperature Range	-40°C to 50°C (Operating)			
		-35°C to 50°C (Startup)			
Electrical Parameters	-40°C to 70°C (Storage)				
	Protection Class	IP66, IK06			
Electrical Parameters	Control	On / Off or DMX512 (supports multi-segment control, e.g., 6 segments / meter)			
	Input Voltage	220V AC			
Others	Certificate	CQC, CB, CE			
	Warranty Period	5 years			
	Accessories / ETO Options	Glare Shield / Steel wire rope			

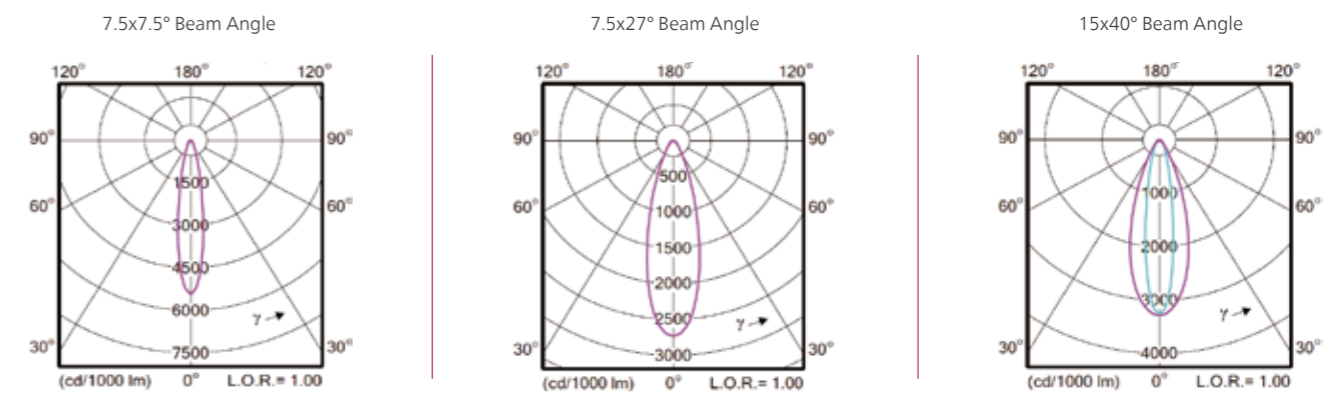
LxWxH.mm

BCP385



Light Distribution Curve

BCP385

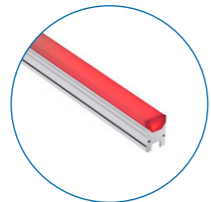


UniBar



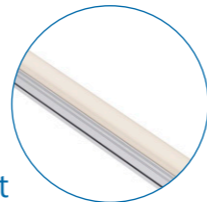
The UniBar series is a surface-mounted, outdoor-rated, and ultra-slim linear LED direct-view luminaire designed for facade and exterior architectural lighting applications. Its structural waterproof design and unique optical design make it ideally suited for architectural facades, media facades, bridges, overpasses, and any application requiring a slim linear direct view lighting solution. It offers white light, monochromatic colors, RGB, RGBW, and tunable white.

Features



High quality

- Low-power LEDs are evenly distributed to ensure uniform light output from the luminaire
- Standard: RGBW, RGB, 3000K, and 4000K
- Optional color temperatures: 2700K, 5000K, monochromatic, and tunable white



Optimal effect

- Up to 10 pixels for easy and flexible control
- Wide beam angle options, suitable for direct-view illumination applications



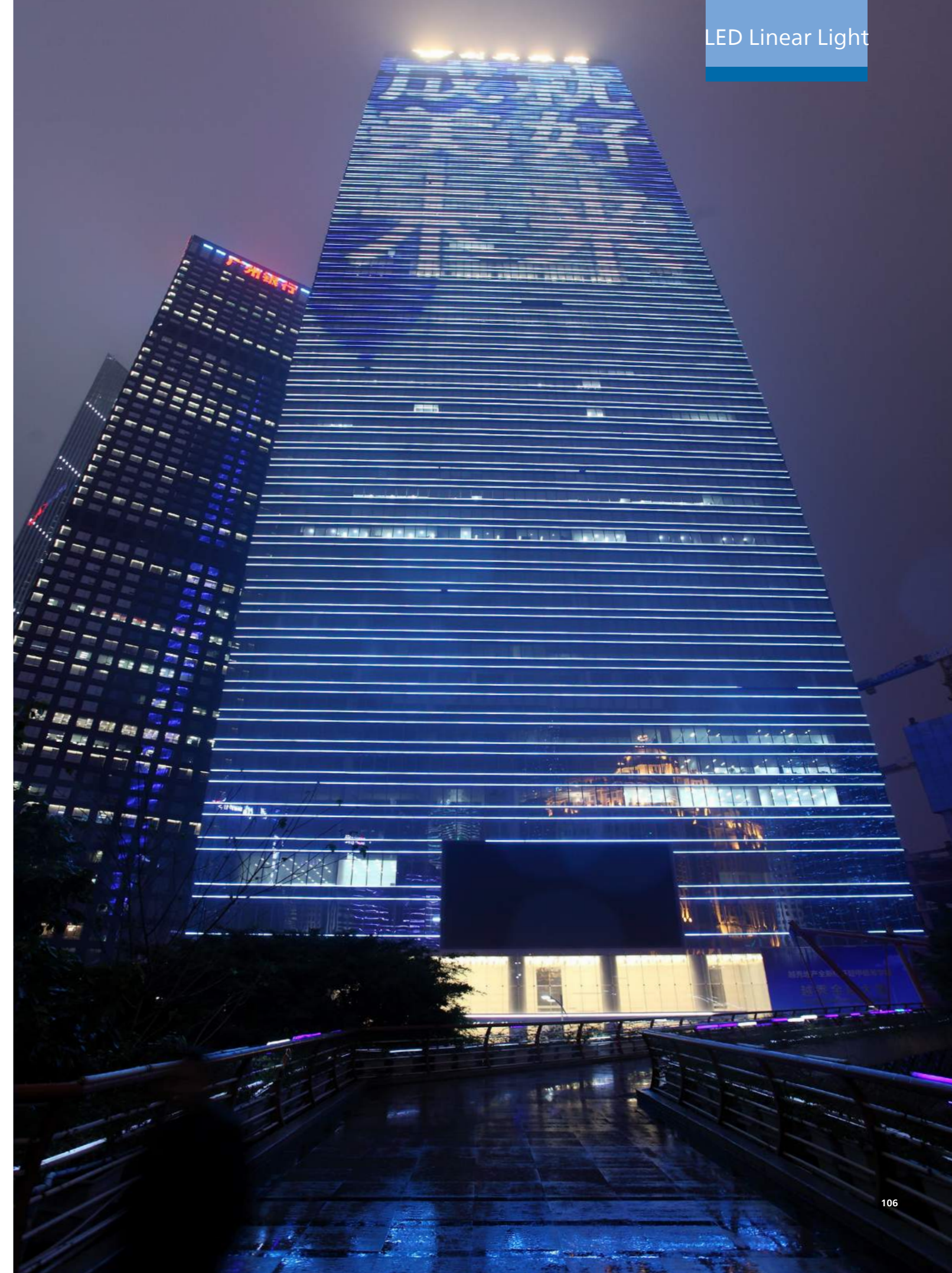
Stable and reliable

- Standard product lengths of 300mm, 500mm, and 1000mm
- Robust design and IP66 rating for outdoor use



Convenient and simple

- Quick-release Clip-in mounting bracket
- Standard On-Off or DMX512 control mode
- Dedicated address lines for faster and easier DMX addressing, compatible with the handheld address writer (ZXP399)





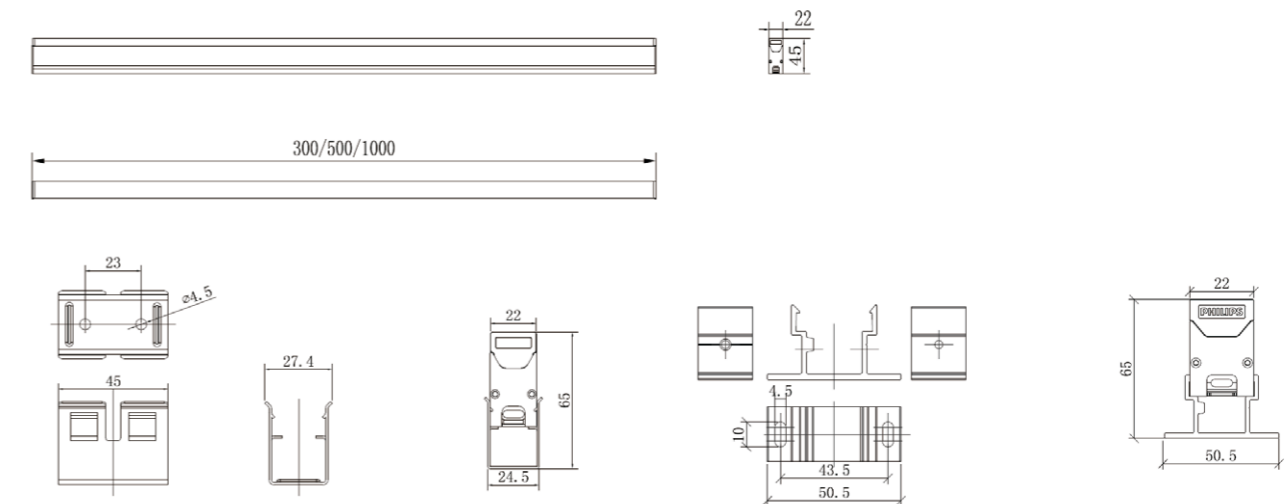
UniBar Small

Specifications

	Product Series	UniBar Small (BCS340)				
Optical Parameters	Light Source	Low-power LED				
	Lumen Maintenance	50000 hours L70B50 at 35°C				
	Max. LEDs	300mm		500mm		1000mm
		12LED (Single white/RGB)	24LED (RGBW)	24LED (Single white/RGB)	48LED (RGBW)	48LED (Single white/RGB)
	Beam Angle	115x145° / 115x135° / 120x145°				
	Maximum Power	3W		6W		12W
	Optional Color Temperature	3000K, 4000K				
	Optional Colors	RGB, RGBW				
	CRI	80				
	White Light Color Tolerance	SDCM<=4				
Color Wavelength Range	R: 620 to 625nm; G: 525 to 530nm; B: 470 to 475nm					
Luminaire Body Parameters	Housing	Aluminum profile				
	Surface	Anodizing				
	Housing Color	Natural aluminum silver				
	Bracket Material	Stainless steel				
	Angle Adjustment	Non-adjustable				
	Gasket	Silicone				
	Luminous Surface	Anti-aging, UV-resistant, high-transmittance polymer PC material, milky white				
	LxWxH.mm	300/500/1000mmx28mmx65mm (with Clip-in bracket)				
	Weight	0.4kg		0.5kg		0.8kg
	Temperature Range	-40°C to 50°C (Operating) -35°C to 50°C (Startup) -40°C to 70°C (Storage)				
Electrical Parameters	Protection Class	IP66, IK08				
	Control	On / Off or DMX512 (up to 1 meter with 16-segment control)				
	Input Voltage	24V DC				
Others	Certificate	CQC, CB, CE				
	Warranty Period	5 years				
	Accessories / ETO Options	Custom max. length: L1200mm				

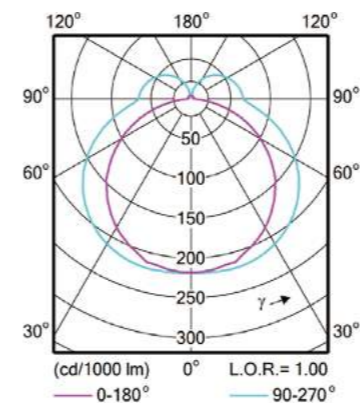
LxWxH.mm

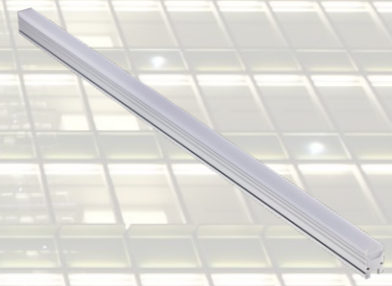
BCS340



Light Distribution Curve

BCS340





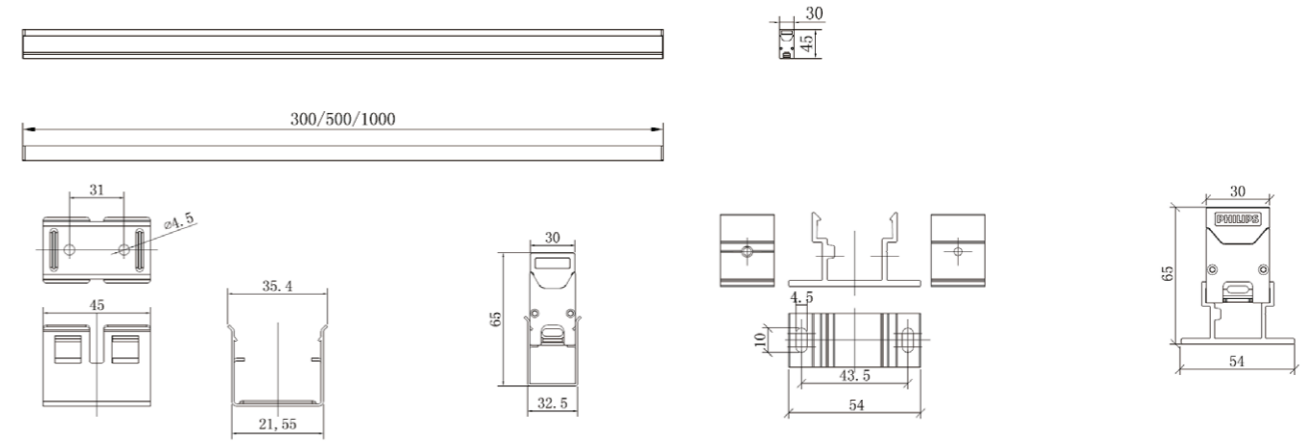
UniBar Medium

Specifications

	Product Series	UniBar Medium (BCS341)					
Optical Parameters	Light Source	Low-power LED					
	Lumen Maintenance	50000 hours L70B50 at 35°C					
	Max. LEDs	300mm		500mm		1000mm	
		18LED (Single white/RGB)	36LED (RGBW)	30LED (Single white/RGB)	60LED (RGBW)	60LED (Single white/RGB)	120LED (RGBW)
	Beam Angle	115x145° / 115x135° / 120x145°					
	Maximum Power	4W		7.5W		15W	
	Optional Color Temperature	3000K, 4000K					
	Optional Colors	RGB, RGBW					
	CRI	80					
	White Light Color Tolerance	SDCM<=4					
Color Wavelength Range	R: 620 to 625nm; G: 525 to 530nm; B: 470 to 475nm						
Luminaire Body Parameters	Housing	Aluminum profile					
	Surface	Anodizing					
	Housing Color	Natural aluminum silver					
	Bracket Material	Stainless steel					
	Angle Adjustment	Non-adjustable					
	Gasket	Silicone					
	Luminous Surface	Anti-aging, UV-resistant, high-transmittance polymer PC material, milky white					
	LxWxH.mm	300/500/1000mmx35.5mmx65mm (with Clip-in bracket)					
	Weight	0.45kg	0.55kg		0.9kg		
	Temperature Range	-40°C to 50°C (Operating) -35°C to 50°C (Startup) -40°C to 70°C (Storage)					
Protection Class	IP66, IK08						
Electrical Parameters	Control	On / Off or DMX512 (up to 1 meter with 16-segment control)					
	Input Voltage	24V DC					
	Certificate	CQC, CB, CE					
Others	Warranty Period	5 years					
	Accessories / ETO Options	Custom max. length: L1200mm					

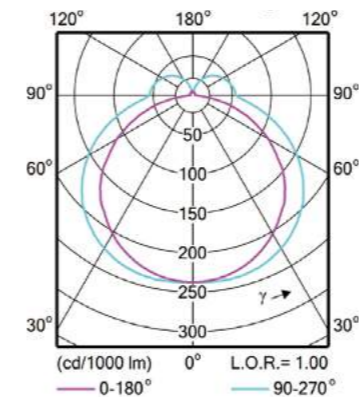
LxWxH.mm

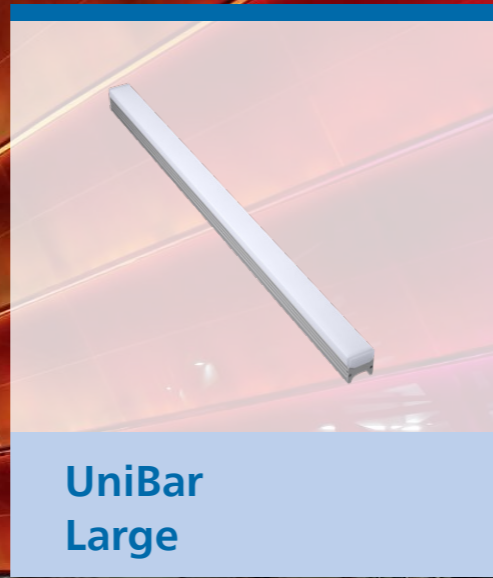
BCS341



Light Distribution Curve

BCS341





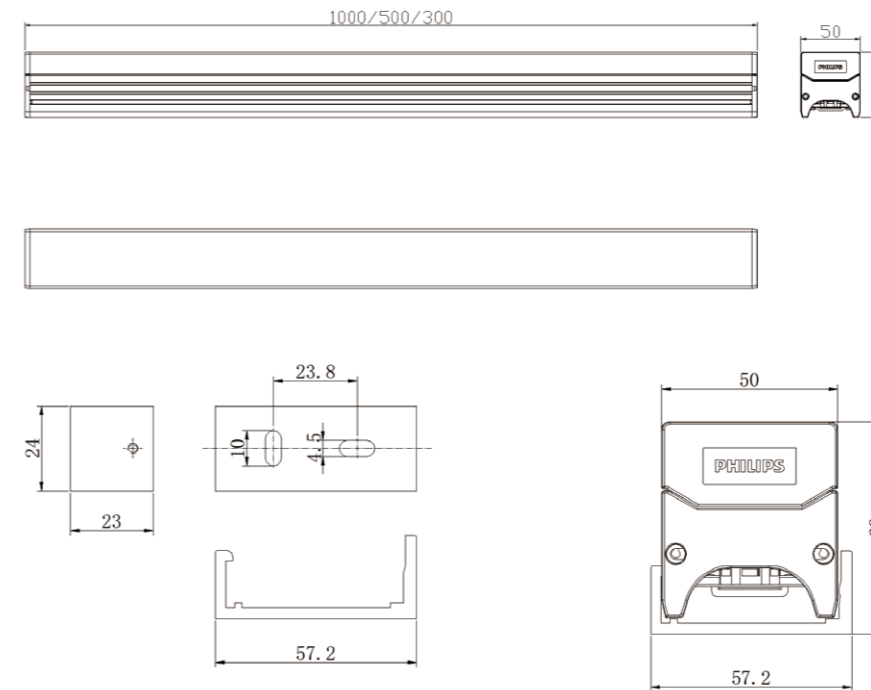
**UniBar
Large**

Specifications

	Product Series	UniBar Large (BCS342)		
Optical Parameters	Light Source	Low-power LED		
	Lumen Maintenance	50000 hours L70B50 at 35°C		
	Max. LEDs	300mm	500mm	1000mm
		36LED	60LED	120LED
	Beam Angle	115x145° / 115x135° / 120x145°		
	Maximum Power	7.5W	12W	24W
	Optional Color Temperature	3000K, 4000K		
	Optional Colors	RGB, RGBW		
	CRI	80		
	White Light Color Tolerance	SDCM<=4		
Color Wavelength Range	R: 620 to 625nm; G: 525 to 530nm; B: 470 to 475nm			
Luminaire Body Parameters	Housing	Aluminum profile		
	Surface	Anodizing		
	Housing Color	Natural aluminum silver		
	Bracket Material	Aluminum		
	Angle Adjustment	Non-adjustable		
	Gasket	Silicone		
	Luminous Surface	Anti-aging, UV-resistant, high-transmittance polymer PC material, milky white		
	LxWxH.mm	300/500/1000mmx57.2mmx60mm (with Clip-in bracket)		
	Weight	0.39kg	0.65kg	1.3kg
		Temperature Range		
Electrical Parameters	-40°C to 50°C (Operating)			
	-35°C to 50°C (Startup)			
	-40°C to 70°C (Storage)			
Protection Class	IP66, IK08			
Control	On / Off or DMX512 (up to 1 meter with 16-segment control)			
	Input Voltage	24V DC		
Certificate	CQC, CB, CE			
Others	Warranty Period	5 years		
	Accessories / ETO Options	Custom max. length: L1200mm		

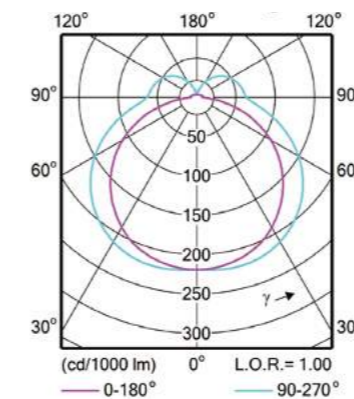
LxWxH.mm

BCS342



Light Distribution Curve

BCS342





The data provided herein is for reference only; actual product specifications should be referred to the product manual. Changes may be made without prior notice.
Copyright © Signify Holding. All rights reserved. Reproduction in whole or in part without permission is prohibited.