

LAPURE®

PRODUCT INFORMATION



TABLE OF CONTENTS

Description	3
Benefits	4
Design	4
Quality	5
Customization	6
Comfort	6
Technical details	7
Standard configuration	8
Lapure weight	9
Lapure snow load	9
Accessories	10
Fabrics	11
Certificates & testing	12
Configuration	13
Type	13
Inclination of slope	14
Columns	15
Mounting bases	16
Water drainage	17
Other tools	18





DESCRIPTION

Patio cover with a wind and water-resistant Fixscreen sun protection roof and panoramic view. Can be closed off with surface-mounted side elements.

- Minimalist design
- Panoramic view with the roof open
- Highly windproof
- No sagging in the rain due to Fixscreen technology
- Can be controlled using RTS or Renson Connect App



One roof section

SUN
PROTECTION

WATERPROOF

RETRACTABLE

BENEFITS

Design



1 WATERPROOF, TRANSLUCENT FABRIC

2 UNINTERRUPTED PANORAMIC VIEW

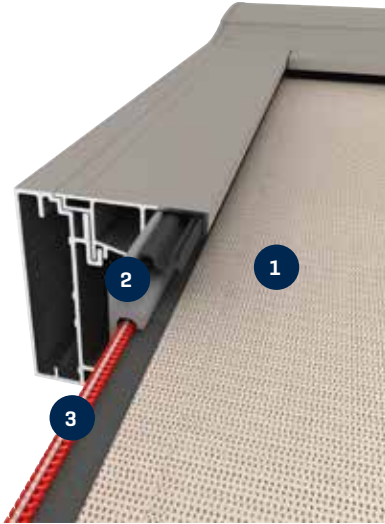
No visible front bar when fabric is retracted

3 OPTIMAL FABRIC TENSION DUE TO FIX-SCREEN TECHNOLOGY

4 INVISIBLE WATER DRAINAGE VIA THE FRONT BAR, THEN SIDeways INTO THE COLUMN



Quality



1 DURABLE INNER RAIL WITH SMOOTH TECHNOLOGY

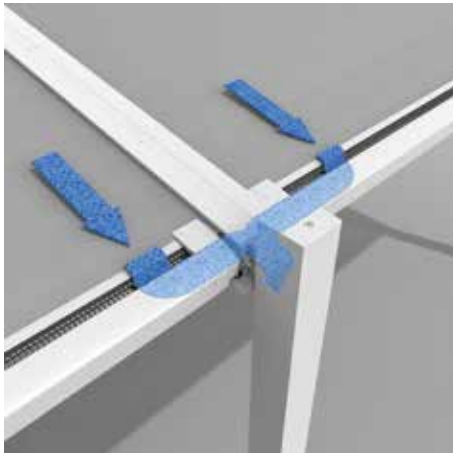
Smooth, durable and silent zip operation

2 SYMMETRICAL ZIP ENSURES HIGH WIND RESISTANCE

High wind guarantee up to 62mph

3 INTEGRATED WATER DRAINAGE VIA BOTTOM BAR AND SIDE GUIDING CHANNELS

Water drainage even if the roof is not fully closed



Customization

1 WIDE RANGE OF POSSIBLE OPTIONS

2 ACCESSORIES

For more information about the possible accessories, see the 'Accessories' section and/or the product information for the various accessories.

Comfort

1 QUICK INSTALLATION

Thanks to maximum pre-assembly

TECHNICAL DETAILS



Dimensions	
Width per roof section	Min. 4' 1 11/16" - 13' 1 31/64" [without cross-beam] 13' 1 33/64" - 19' 8 7/32" [with cross-beam]
Projection	Min. 4' 1 11/16" - max. 16' 4 27/32"
Roof overhang with shifted columns	Max. 3' 3 3/8"
Passage height	Min. 1' 7 11/16" - max. 9' 6 11/64"
Inclination of slope	10° - 35°
Total height	Depends on inclination of slope and projection
Minimum height required when installed under a roof overhang	Total height + 7 31/64"
Customization	Width and projection: made to measure
Operating methods	
Renson® Connect App	✓
Somfy io	✓
Somfy RTS	✓
Home automation ready	✓

Electrical screen roof drive

Parameters	
Supply voltage	110V AC
Current	1.5 Ampère
Power	320 W
Protection rating	IP 44
Maximum running time with continuous use	Approx. 3 to 4 minutes



Standard configuration

Structure

- Structure to be built against a supporting wall
- Standard mounting bases (visible or invisible)
- Custom width, projection, passage height and inclination of slope
- Motorisation (Somfy RTS or io)
- Screen roof (SWK top or W96)

Finish

- Seaside Quality A
- Integrated water drainage (via side guiding channels, bottom bar and columns)
- Adjustable installation and drainage holes.

Lapure weight

Weight [in lbs] of a single system with a passage height of 9' 2 15/64" [excl. packaging].

Hor. projection \ Width	Width										
	59	68	78	88	98	108	118	127	137	147	157
59	203	214	228	241	252	265	278	289	303	314	327
78	210	223	236	250	261	274	287	298	311	325	336
98	219	232	245	258	269	283	296	309	320	333	347
118	228	241	254	267	280	292	305	318	331	344	355
137	239	250	263	276	289	303	316	327	340	353	366
157	247	261	272	285	298	311	325	338	351	364	377
177	256	269	283	296	309	322	336	349	362	373	386
196	265	278	292	305	318	331	344	358	371	384	397

Lapure snow load

The Lapure Fixscreen roof is rain resistant, but not snow resistant. The roof must be opened when it is snowing.

ACCESSORIES



Comfort pack		Back order
Fixscreen + Lineo Led	-	-
Sideways infills		
Integrated Fixscreen	-	-
Algarve Fixscreen	-	-
Lapure Fixscreen	✓	-
Triangle	✓	-
Loggia sliding panels	-	-
Loggiascreen Canvas sliding door	✓	-
Glass sliding panels	-	-
Linius wall	-	-
Linarte wall	-	-
Outdoor curtains	-	-
Comfort		
Lighting		
Lineo Led	-	-
UpDown Led	-	-
Colomno Led	-	-
Lapure Led	✓	-
Comfort and design		
Beam Heat & Sound	-	-
Lineo Luce	-	-
Lineo Fix	-	-
Lineo Heat	-	-
Waterproof wall mounting	-	-
Protecto protective profile	-	-
Automation		
Wind sensor	✓	-
Rain sensor	✓	-
Sun sensor	✓	-

Styling		Back order
Classic Line	✓	-
Wooddesign roof blades	-	-
Columns		
Extra column	✓	-
Shifted column	✓	-
Adjustable wall column	-	-

Fabrics

To see the full collection of fabrics, please refer to the fabric sampler [available in physical or digital format].



CERTIFICATES & TESTING

CE – DoP documents

- CE / DoC / DoP / ETA

Certificates

- REACH / seaside/coastal powder coating guarantee
- RoHS / AluEco
- VMRG sun protection

Declarations

- Declaration of material codes
- Declaration of powder coating
- Declaration of anodisation layer thickness
- Declaration of glass properties
- Declaration of fire resistance / reaction
- Declaration of asbestos
- Declaration of UV resistance / gtot + others

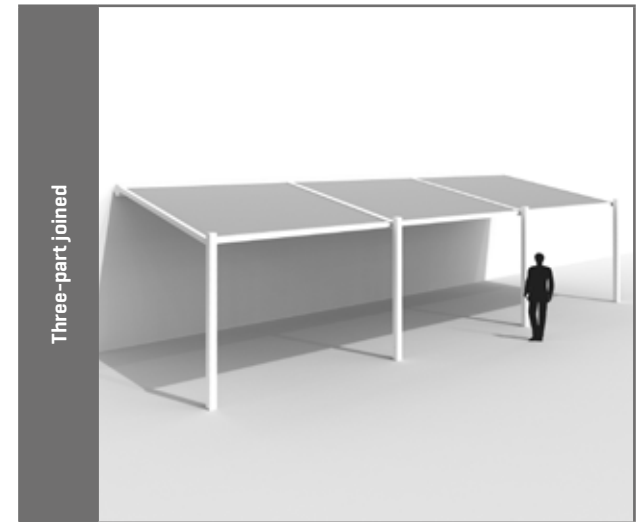
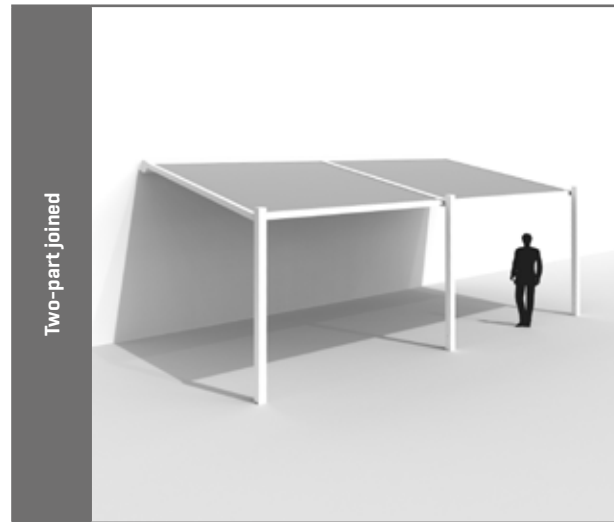
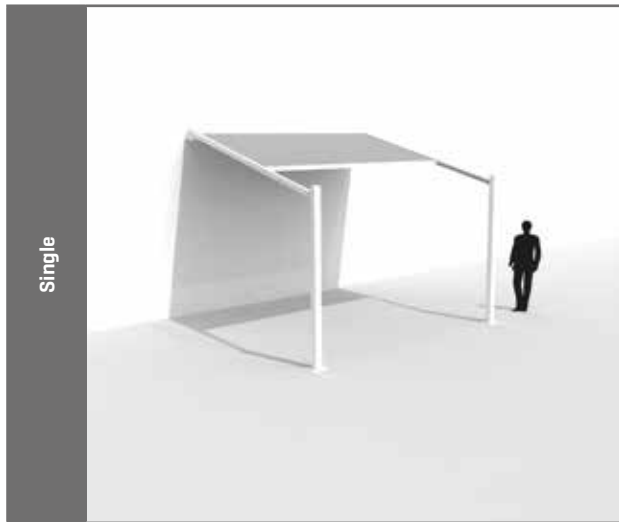
Test reports – calculations

- Environmental statement [recycled aluminum]
- Anchoring requirements

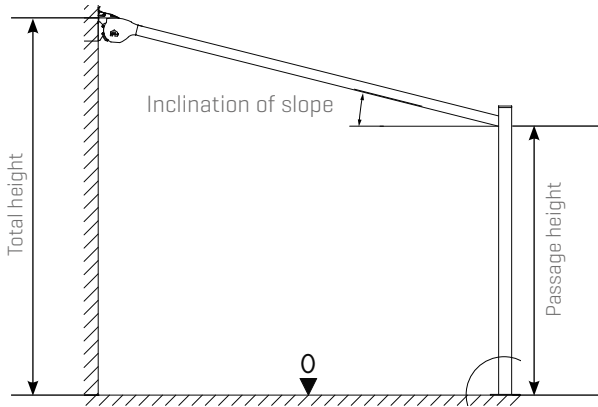
Roof wind guarantee with Rooffix closed	up to 62mph
Fixscreen wind guarantee when closed	up to 37mph
Max. wind speed for roof or Fixscreen operation	up to 31mph
Water drainage flow	0.22 GPM [gallons per minute]
Load-bearing capacity	N/A

CONFIGURATION

Type



Inclination of slope



Lapure		
Width dimensions per roof section	Minimum	4' 11 1/16"
	Maximum without cross-beam	13' 1 31/64"
	Maximum with cross-beam	19' 8 7/32"
Projection dimensions	Minimum	4' 11 1/16"
	Maximum	16' 4 27/32"
Roof overhang [with shifted columns]	Maximum	3' 3 3/8"
Passage height dimensions	Minimum	1' 7 11/16"
	Maximum	9' 6 11/64"
Total height without wall profile		Depends on inclination of slope and projection
Total height including wall profile		Total height + 3 25/64"
Height required when installed under a roof overhang with access to the screen head box		Total height + 7 31/64"
Suspension bracket height		Total height - 7 51/64"

SWK Top

Depth \ Width	≥ 9' 10 7/64" ≥ 13' 1 31/64" ≥ 16' 4 27/32" ≥ 19' 8 7/32"			
≥ 9' 10 7/64"	min. 7°	min. 10°	min. 12°	min. 12°
≥ 13' 1 31/64"	min. 7°	min. 10°	min. 12°	min. 12°
≥ 16' 4 27/32"	min. 7°	min. 11°	min. 12°	min. 12°

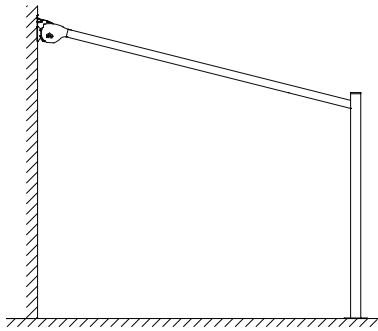
Soltis W96

Depth \ Width	≥ 9' 10 7/64" ≥ 13' 1 31/64" ≥ 16' 4 27/32" ≥ 19' 8 7/32"			
≥ 9' 10 7/64"	min. 8°	min. 9°	min. 11°	min. 13°
≥ 13' 1 31/64"	min. 8°	min. 9°	min. 11°	min. 13°
≥ 16' 4 27/32"	min. 9°	min. 10°	min. 11°	min. 13°

Columns

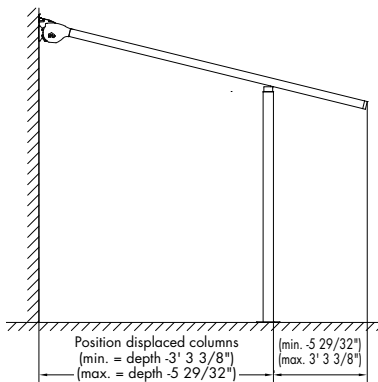
End column

A column is provided for each corner as standard.



Shifted column

A column can be shifted up to a maximum of 3' 3 3/8" from the projection. This guarantees the stability of the construction at all times.



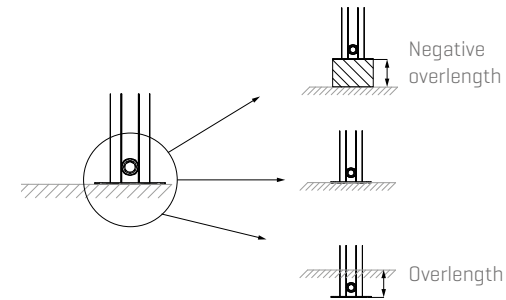
A shifted column in Lapure must be entered by entering the required distance from the wall connection.

Minimum shifted column position = Projection - 3' 3 3/8"

Maximum shifted column position = Projection - 5 29/32"

Overlength

Columns that are longer [positive overlength] or shorter [negative overlength] than the passage height entered can also be ordered. Opting for a positive overlength of the column can be useful to keep a roof perfectly level when your patio slopes downward, for example. Alternatively, if one of the columns is to be installed on a small wall, for example, it can be shortened [negative overlength].

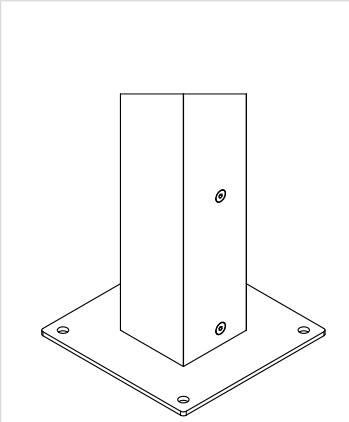
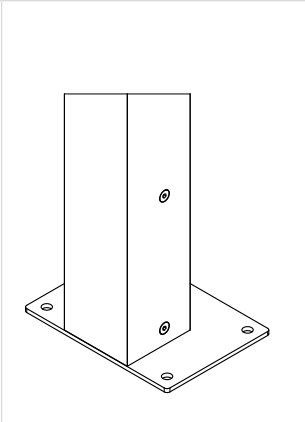
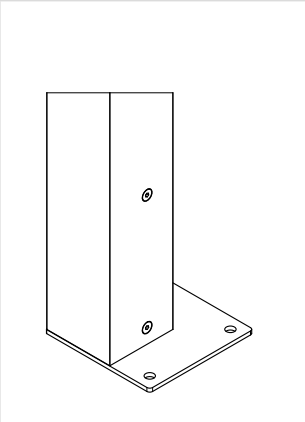
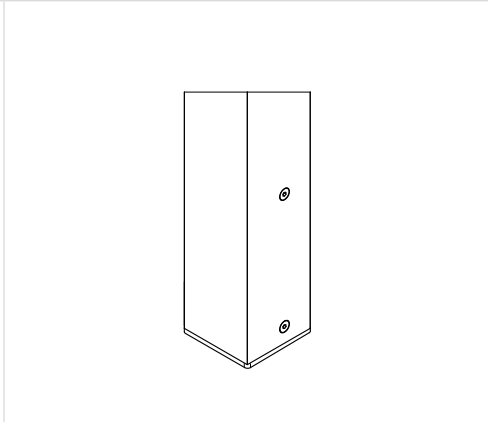


Positive overlength is possible up to the maximum passage height [9' 6 11/64"] plus 1' 7 11/16" [11' 1 55/64"].

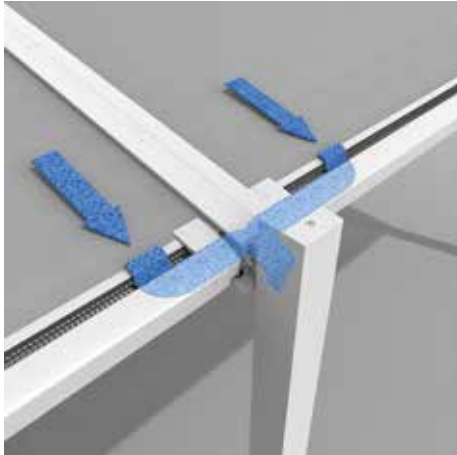
Negative overlength is possible up to the minimum passage height [1' 7 11/16"].

Mounting bases

The choice of reinforced or non-reinforced mounting bases will be made automatically based on the strength requirements and/or side infill selection. You can select a finish for your mounting bases from the possible options below.

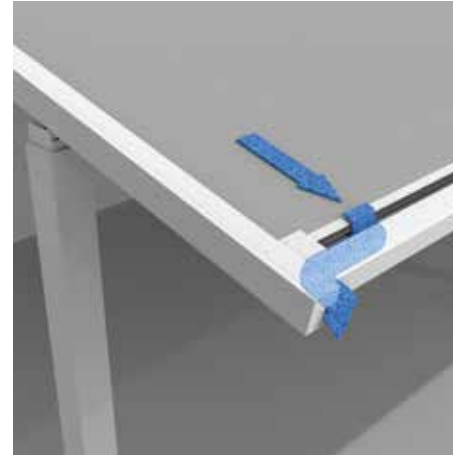
				
Type	Visible mounting base			Invisible mounting base
Application	Not against a structure	Pivot or span against a structure	Pivot or span against a structure	All applications
Non-reinforced mounting base	Available at standard price			

Water drainage



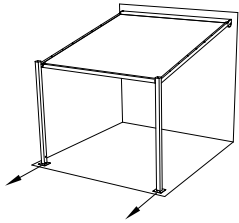
End columns

Water entering the guiding channels via the bottom bar is drained via the columns. Water drainage at the bottom of the columns always runs away from the cover.



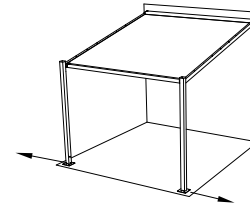
Shifted columns

Water entering the side channels via the bottom bar is drained at the end of the side guiding channels.



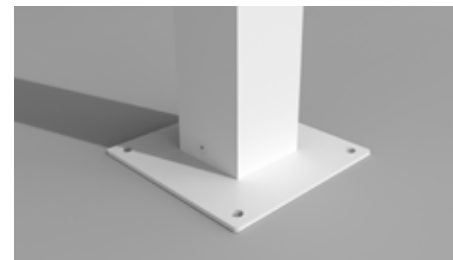
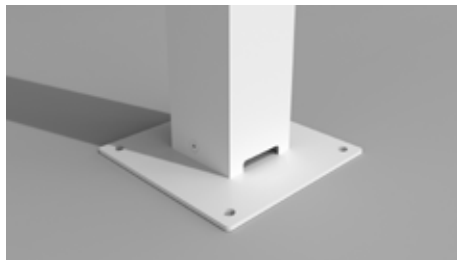
Front

Water drainage towards the front [always 'away from the patio'].



Side

Water drainage towards the side [always 'away from the patio'].



OTHER TOOLS

Want to find out more? Visit the Professional Portal on our website (www.renson.eu) to access the following tools.

- Technical drawings
- Training documents
- Installation manual
- User manual
- [Digital photo book & social media](#)
- ...

