

AERO[®] SKYE

PRODUCT INFORMATION



TABLE OF CONTENTS

Description	3
Benefits	4
Design	4
Quality	4
Customization	6
Comfort	6
Technical details	7
Overview stacked package and opening roof	8
Standard configuration	9
Aero Skye weight	10
Aero Skye snow load	11
Accessories	12
Certificates & testing	14
Configuration	15
Construction method	16
Profiles	17
Blade orientation	19
Installation	20
Water drainage	21
Surface-mounted installation	25
Finishing	26
Other tools	27





DESCRIPTION

Aluminium patio cover with a rotating and retractable bladed roof that perfectly blends in with the architecture of the existing support structure via integration or surface mounting.

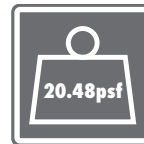
- Fully retractable roof
- Durable rotation and sliding technology thanks to patented S-drive technology
- Fits perfectly with any existing or new architecture
- Can be joined in multiple parts on the span or pivot side
- Protection from the sun, rain and wind
- Controls via RTS & Renson® Connect app*



302sqft
One roof section



74 mph
blades closed



20.48psf



0.66 GPM



99 mph
blades retracted

SUN PROTECTION

VENTILATION

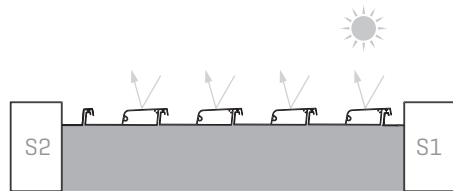
WATERPROOF

RETRACTABLE

* Full operation via the Renson Connect app is only possible in countries where Somfy io is legally allowed. In countries where only Somfy RTS is allowed, operation of Fixscreen, Led-lighting and heating is done via separate hand transmitter.

BENEFITS

Design



1 THE ROOF IS COMPLETELY FLAT WHEN CLOSED

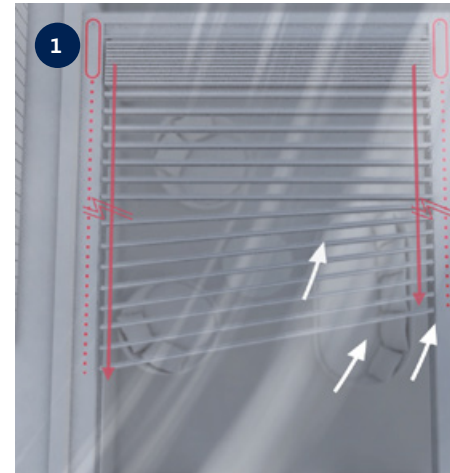
2 MINIMAL GAPS BETWEEN THE BLADES

3 MINIMALIST DESIGN

4 INVISIBLE SCREWS

create an elegant and sleek structure

Quality



1 'TRAIN' SYSTEM (OTHER BRANDS ON THE MARKET)

Only the first blade [the locomotive] is driven, and all other blades [the carriages] are passively pulled along.

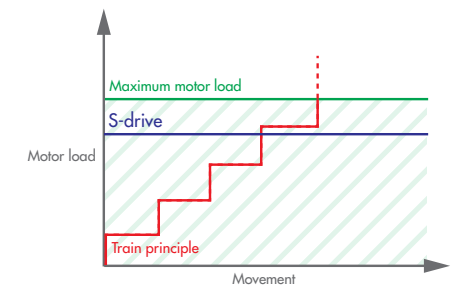
2 SYNCHRONISED DRIVE ON BOTH SIDES OF THE BLADES

Even with an asymmetric load, the roof will open and close in one smooth movement

3 RENSON® S-DRIVE

INNOVATION

Driven by a spindle that evenly distributes traction across all blades.





4 SPINDLE FOR SLIDING BLADES

INNOVATION

5 TROLLEYS ON RAILS ENSURE SMOOTH AND STABLE MOVEMENT

Each blade is driven individually

6 HEXAGONAL AXLE FOR ROTATING BLADES

7 STRONG, DOUBLE-WALLED BLADES CAN HANDLE HEAVY SNOW LOADS

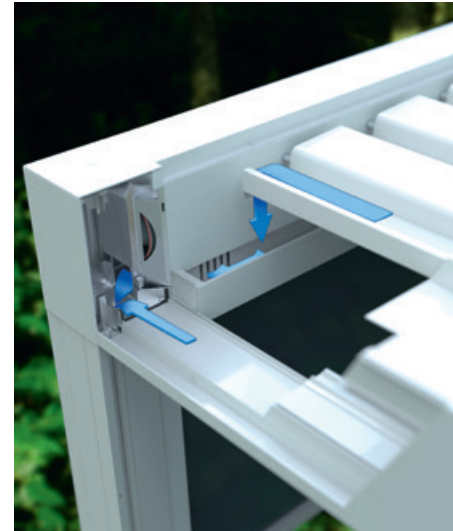
8 UNIQUE END CAPS

Provide a solid corner connection and perfect water drainage

9 WELDED ALUMINIUM DRIPS, POWDER COATED TO MATCH THE COLOUR OF THE ROOF BLADES

10 SPLASH PREVENTION

Via integrated water channels with diffusers

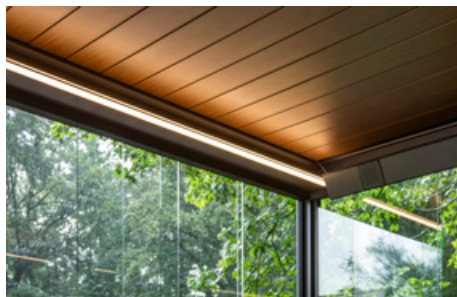


11 HIGH WATER DRAINAGE FLOW

Through the wide blade gutters

Customization

For more information about the possible accessories, see the 'Accessories' section and/or the product information for the various accessories.



Comfort

1 MAXIMUM NATURAL LIGHT

The blades not only rotate through 135°, they can also be fully retracted.

2 SPECIALLY DEVELOPED GUTTER BORDER INNOVATION

INNOVATION

Prevents your patio and furniture from getting wet when the blades are opened following a rain shower

3 SILENT AND SOFT CLOSING MECHANISM BY ADDING A BRUSH TO THE BLADES

4 QUICK INSTALLATION

Thanks to maximum pre-assembly and the modular structure of the various junctions.



TECHNICAL DETAILS



Dimensions	
Span	Min. 71"* – max. 177"
Pivot	Min. 128" – max. 244"/277"
Passage height	N/A
Total height with blades closed	10 15/64" [= frame height]
Total height with blades 90° open	1' 1 31/32" [= frame height 10 15/64" + 3 47/64"]
Blade rotation	Max. 135°
Minimum number of water drainage points < 172sqm	1
Minimum number of water drainage points > 172sqm	2
Operating methods	
Renson Connect app **	✓
Renson Connect + remote control ***	✓
Home automation ready	✓

* Smaller dimensions [span min. 1800 mm] possible by special request to presales – drawing office.

** Full operation via Renson Connect app, for countries where Somfy io is legally allowed.

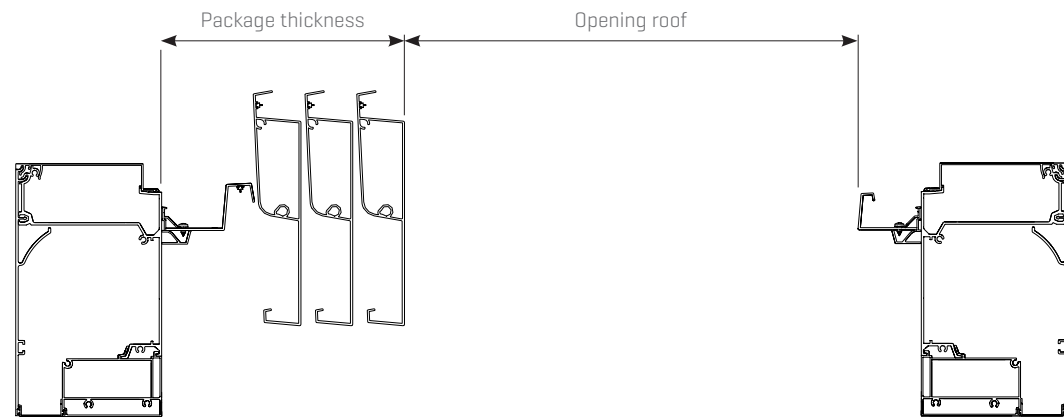
*** For countries where only Somfy RTS is allowed, operation of the roof is via Renson Connect app and operation of LED and/or heating is via a handheld transmitter.

Electrical bladed roof drive

Parameters	Value
Supply voltage	110V AC, 50 Hz
Transformer current range	0 – 3.5 Ampère
Transformer power	2 x 150 W
Motor voltage	24 Volt DC
Motor nominal current	6 Ampère
Protection rating	IP 65
Maximum running time with continuous use	Approx. 10 minutes
Automatic	16 A Curve C

Overview stacked package and opening roof

Pivot in inch	Number of blades	Thickness package in inch	Opening roof in inch
127	13	30	83
134	14	32	88
142	15	34	95
151	16	36	101
159	17	38	108
168	18	40	114
176	19	42	121
185	20	44	127
193	21	45	134
201	22	47	140
210	23	49	147
218	24	51	153
227	25	53	160
235	26	55	166
244	26	57	168



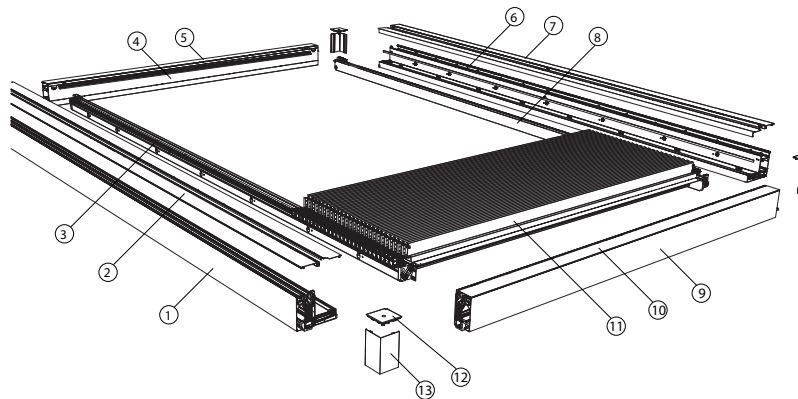
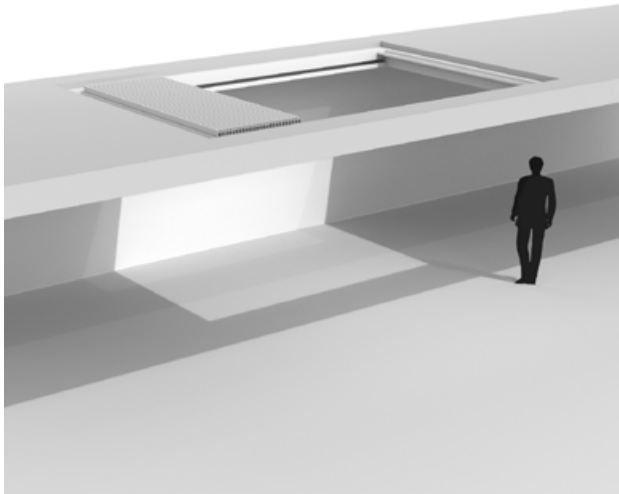
Standard configuration

Construction:

- Roof structure to be placed on the top of or to be integrated in an existing support structure.
- Customization of the span and pivot with mm precision.
- Patented S-drive motor

Finishing:

- Seaside Quality A
- Monocolour or dual colour according to Renson standard colors
- Integrated water drainage [incl. anti-splash diffusers in the gutter]



1	Pivot beam 2 + front cover
2	Top cover [2 parts]
3	Skye mechanism P2
4	Span beam 1
5	Top cover [1 part]
6	Pivot beam 1 + front cover
7	Top cover [2 parts]
8	Skye mechanism P1
9	Span beam 1 + front cover
10	Top cover [1 part]
11	Blades
12	Top cover
13	Corner cover

Aero Skye weight

total weight (lbs) of entire Aero Skye									
Span									
	Dimensions in inch	# blades	59	78	98	118	137	157	177
Pivot	127	13	519	591	662	735	807	878	951
	134	14	541	616	691	766	843	918	993
	142	15	567	644	724	803	882	960	1039
	151	16	591	675	757	838	922	1004	1085
	159	17	618	704	790	876	962	1048	1134
	168	18	644	735	823	913	1001	1090	1180
	176	19	671	763	856	948	1041	1134	1226
	185	20	697	794	889	986	1081	1178	1273
	193	21	724	823	922	1021	1120	1220	1319
	201	22	750	851	955	1059	1160	1264	1367
	210	23	777	882	988	1094	1200	1308	1414
	218	24	803	911	1021	1131	1242	1350	1460
	227	25	827	942	1054	1167	1281	1394	1506
	235	26	854	971	1087	1204	1321	1438	1553
	244	26	874	990	1107	1224	1339	1456	1572

The table above shows the weight of the Skye structure.

Pivot beam weight	37	lbs/40"
Span beam weight	27.65	lbs/40"
Skye beam weight	8.15	lbs/40"
Blade weight	6.83	lbs/40"
Fixed blade weight	1.30	lbs

Aero Skye snow load

Single Aero Skye

For span lengths < 11' 10 23/32", the load-bearing capacity is determined by the pivot length.
 For span lengths > 11' 10 23/32", the load-bearing capacity is no longer determined by the pivot dimensions, but exclusively by the span length [blade length] instead.

		Maximum snow load Aero Skye [psf]										
		Span										
Dimensions in inch		78	88	98	108	118	127	137	147	157	167	177
Pivot	157	177	115	78	55	40	30	23	17	13	10	8
	167	177	115	78	55	40	30	23	17	13	10	8
	177	177	115	78	55	40	30	23	17	13	10	8
	187	176	115	78	55	40	30	23	17	13	10	8
	196	148	115	78	55	40	30	23	17	13	10	8
	206	126	109	78	55	40	30	23	17	13	10	8
	216	108	94	78	55	40	30	23	17	13	10	8
	226	93	80	71	55	40	30	23	17	13	10	8
	236	81	70	61	54	40	30	23	17	13	10	8
	244	72	62	55	49	40	30	23	17	13	10	8



ACCESSORIES



Comfort pack		Reorder
Fixscreen + Lineo LED	-	-
Sideways inserts		
Integrated Fixscreen	-	-
Algarve Fixscreen	-	-
Lapure Fixscreen	-	-
Triangle	-	-
Loggia® sliding panels	-	-
Loggiascreen Canvas sliding door	-	-
Glass sliding panels	-	-
Linius wall	-	-
Linarte wall	-	-
Outdoor curtains	-	-
Comfort Lighting		
Lineo LED	-	-
UpDown LED	✓	✓
Colomno LED	-	-
Lapure LED	-	-
Comfort and design		
Beam Heat & Sound*	✓	✓
Lineo Luce	-	-
Lineo Fix	-	-
Lineo Heat	-	-
Waterproof wall mounting	-	-
Protecto protective profile	-	-
Automation		
Wind sensor **	-	-
Rain sensor	✓	✓
Sun sensor	-	-

* Beam only possible on span side, not on pivot side

** No physical wind sensor needed as can be set as for frost and snow during installation. Works based on the set country and zip code through an online weather server.

Styling		Reorder
Classic Line	-	-
Wooddesign roof blades	✓	✓
Columns		
Extra column	-	-
Shifted column	-	-
Adjustable wall column	-	-



CERTIFICATES & TESTING

CE – DoP documents

- CE / UKCA / DoC / DoP / ETA

Certificates

- REACH / seaside/coastal powder coating guarantee
- RoHS / AluEco
- VMRG sun protection

Declarations

- Declaration of material codes
- Declaration of powder coating
- Declaration of anodisation layer thickness
- Declaration of glass properties
- Declaration of fire resistance / reaction
- Declaration of endurance cycles
- Declaration of asbestos
- Declaration of UV resistance / gtot + others

Test reports – calculations

- Environmental statement [recycled aluminium]
- Anchoring requirements
- Wind [load] testing / verification certificate

Wind guarantee of roof with blades closed	up to 74mph
Wind guarantee of roof with blades retracted	up to 99mph - HC 2 [Hurricane Category 2]
Wind guarantee with blades extended and rotated to a vertical position [90°]	up to 74mph
Fixscreen wind guarantee when closed	N/A
Roof operation	up to max. 31mph
Water drainage flow	0.66GPM [gallons per minute]
Load-bearing capacity	20.48psf

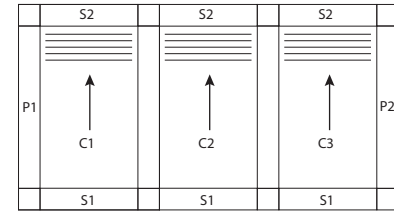
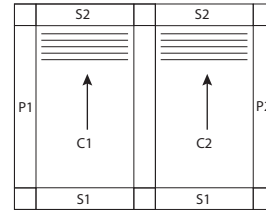
Application in sandy environments

The abrasive effect of sand can cause blockages of the Skye mechanism. Therefore the application of Skye systems is not allowed at less than 656 ft from sandy environments such as sandy beaches, dunes, deserts...



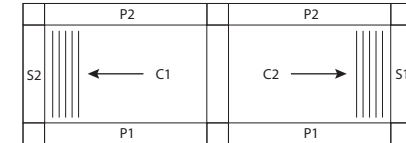
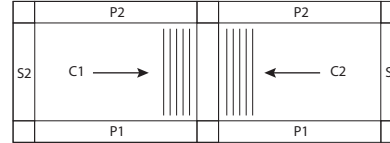
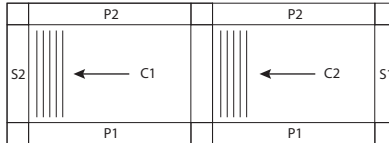
CONFIGURATION

Joined on pivot side



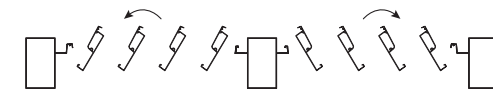
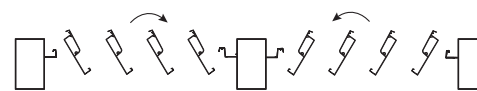
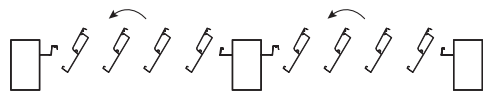
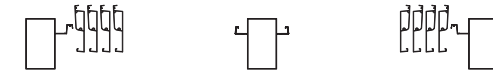
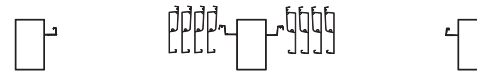
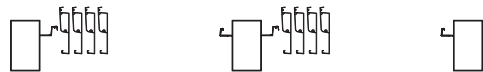
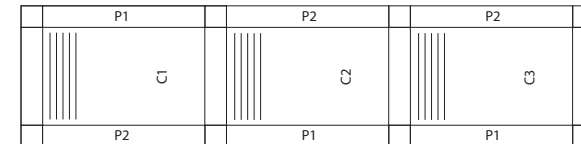
- Two-part or three-part joined
- Blade retraction: same direction for all roof sections
- For surface mounting or integration

Joined on span side

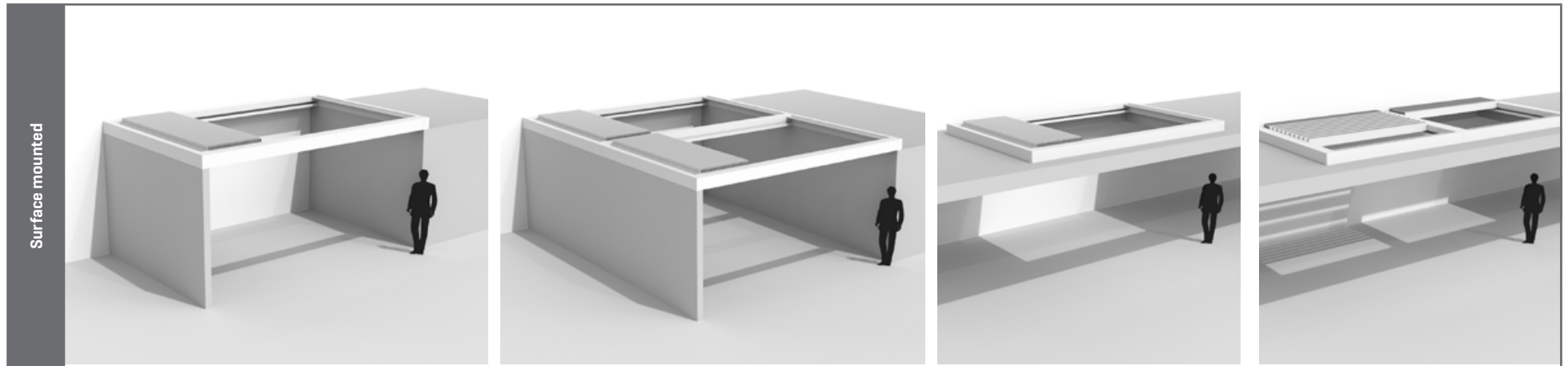


- Two-part or three-part joined
- Blade retraction: same direction, towards one another, away from one another
- For surface mounting or integration

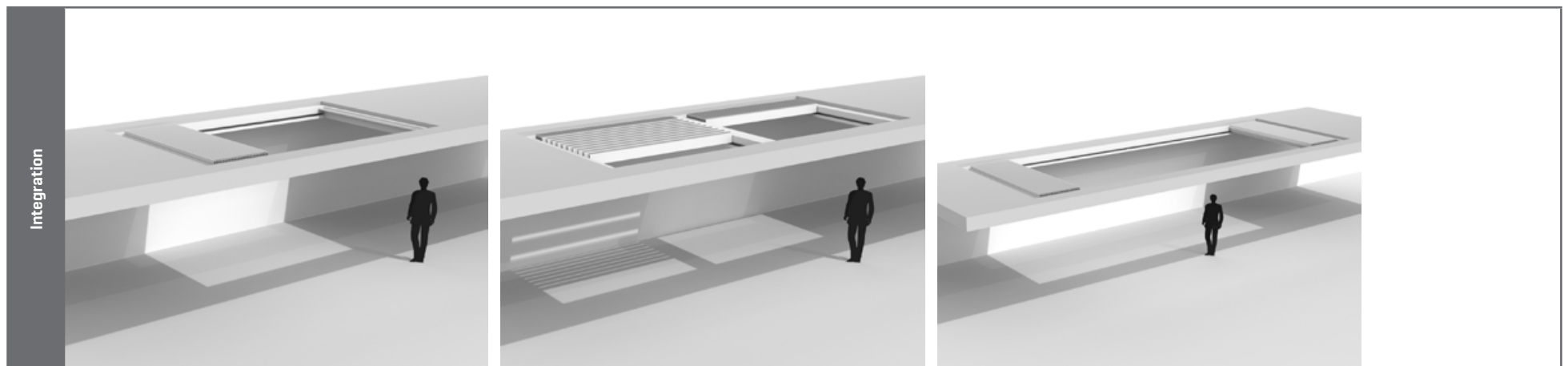
The blades of the two roof sections will rotate differently relative to one another in the two setups below:



Construction method

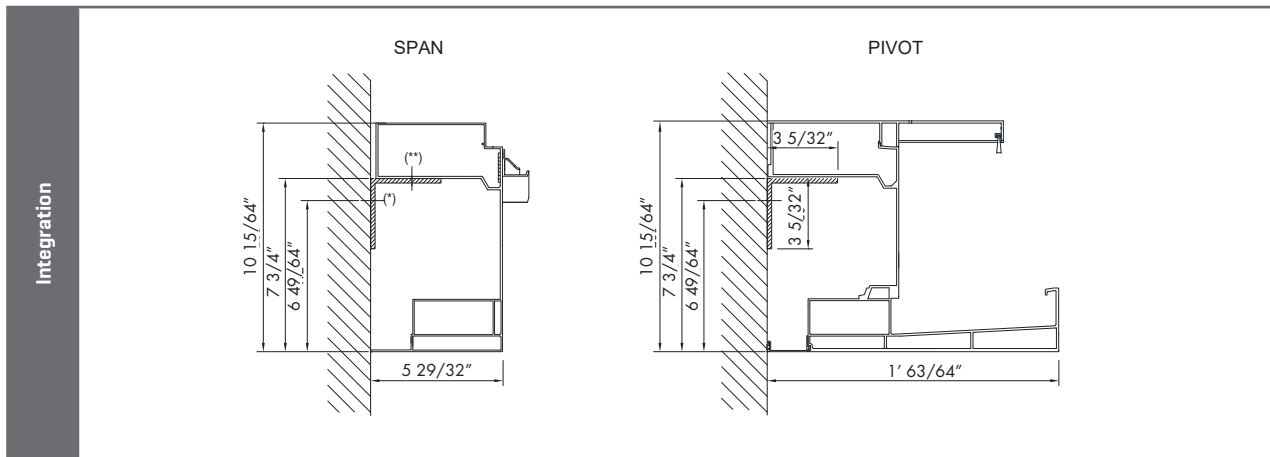
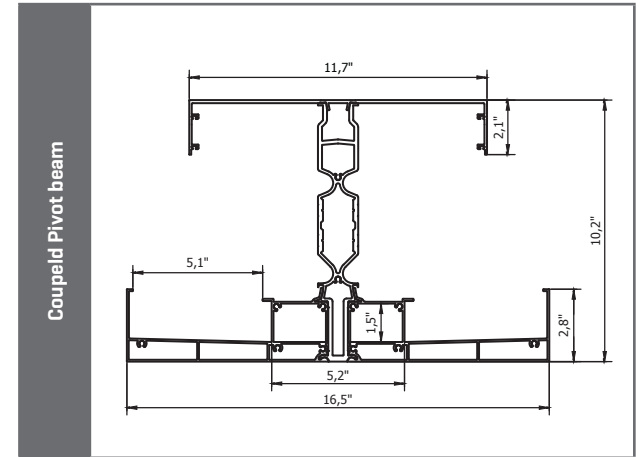
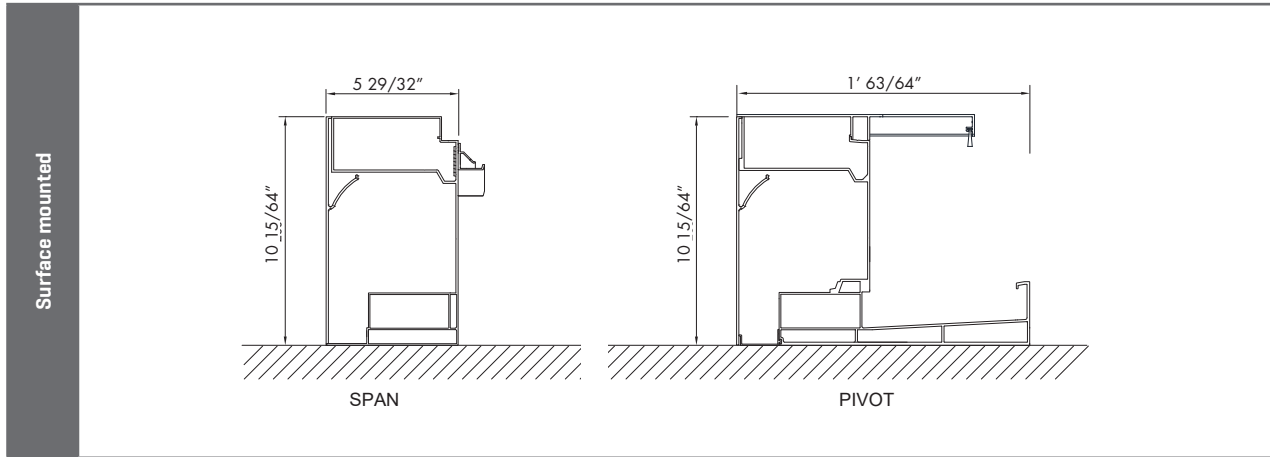


In this construction method, the frame is placed on an existing structure. The installer will need to drill the required installation holes.



If the frame is to be integrated into an existing opening, it will be affixed sideways in the opening.

Profiles



Outer corner finishing cover

When ordering, please specify the construction method for each span and pivot side.

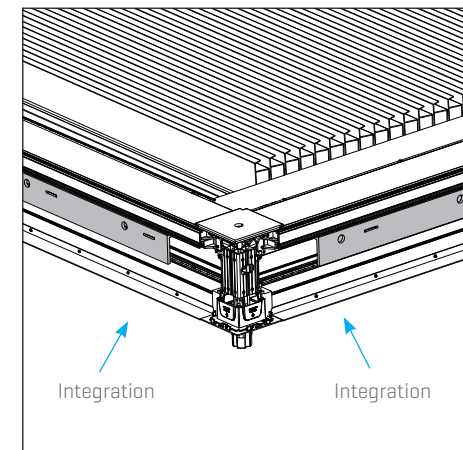
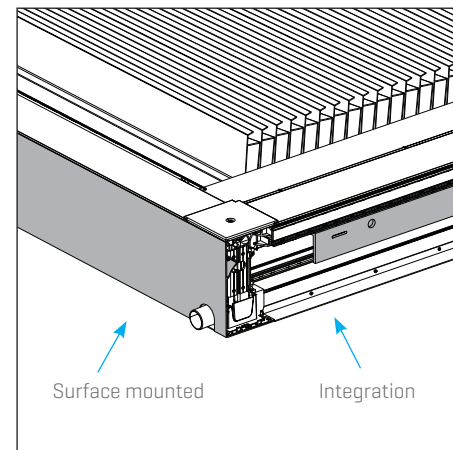
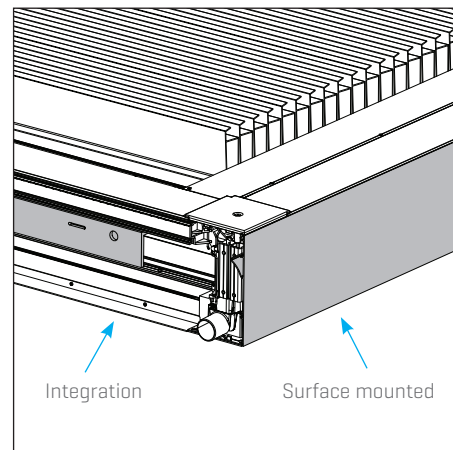
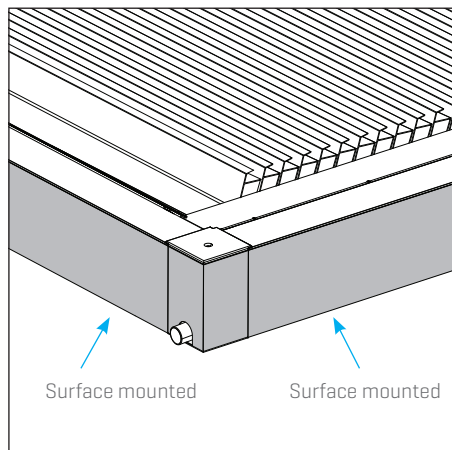
Depending on which one of the two construction methods you opt for, there is also a significant difference in terms of the finishing cover supplied for the outer corner.

- Surface mounted: includes finishing cover for the side in question
- Integrated: no finishing cover for the side in question and no front cover on the integration side(s), as these are replaced by an L-shaped wall-mounting profile.

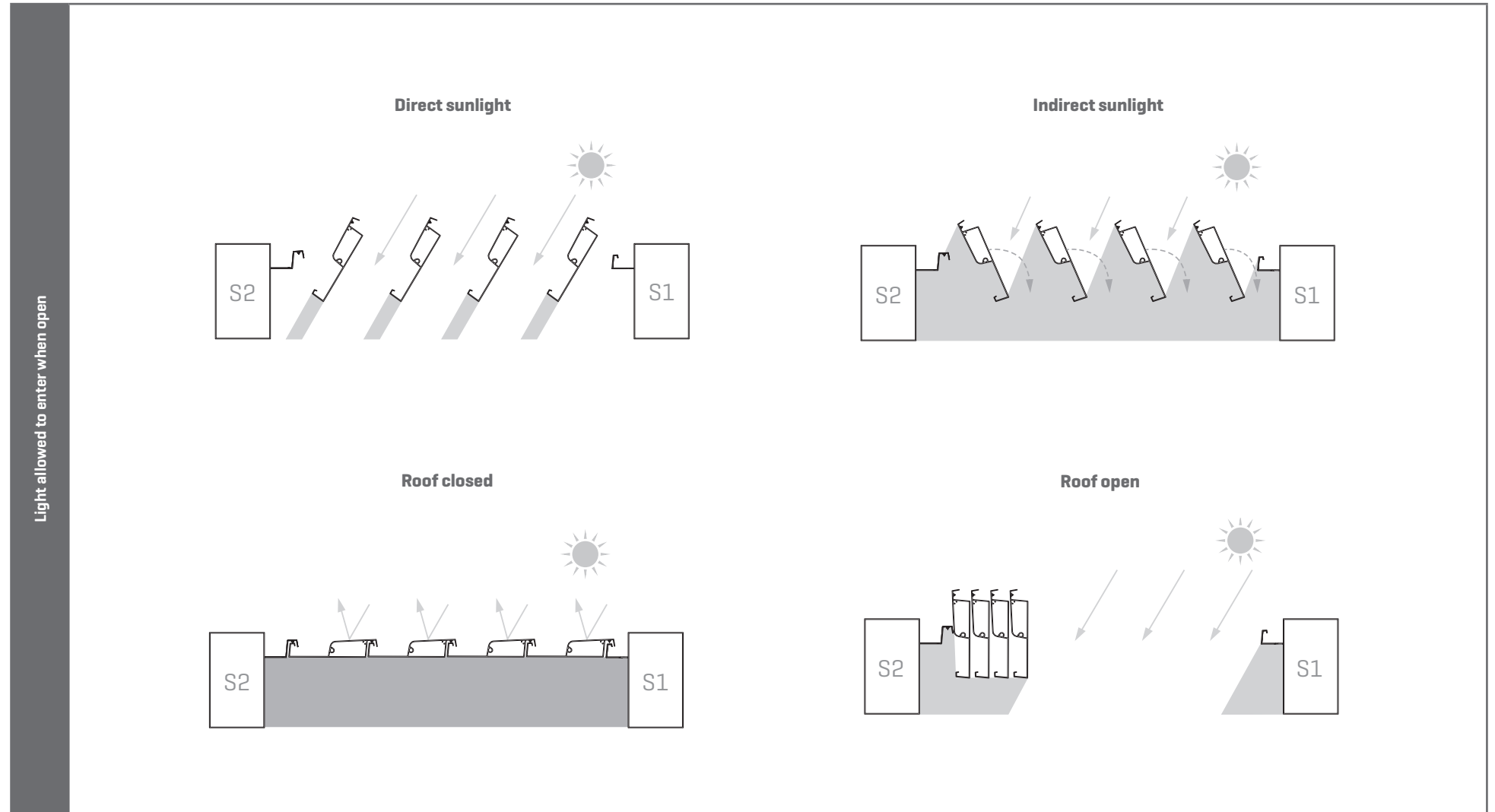
Bottom finishing cover

The bottom finishing cover protrudes a few mm from the underside of the structure. If you place Aero Skye on top of another structure, you have the possibility to do so without the bottom finishing cover. That way, the bottom of the profiles fit nicely against the support structure.

If the bottom of the frame profiles is to be finished with another material and will ultimately no longer be visible, there is no need to place a finishing cover on the bottom corners.



Blade orientation



Installation

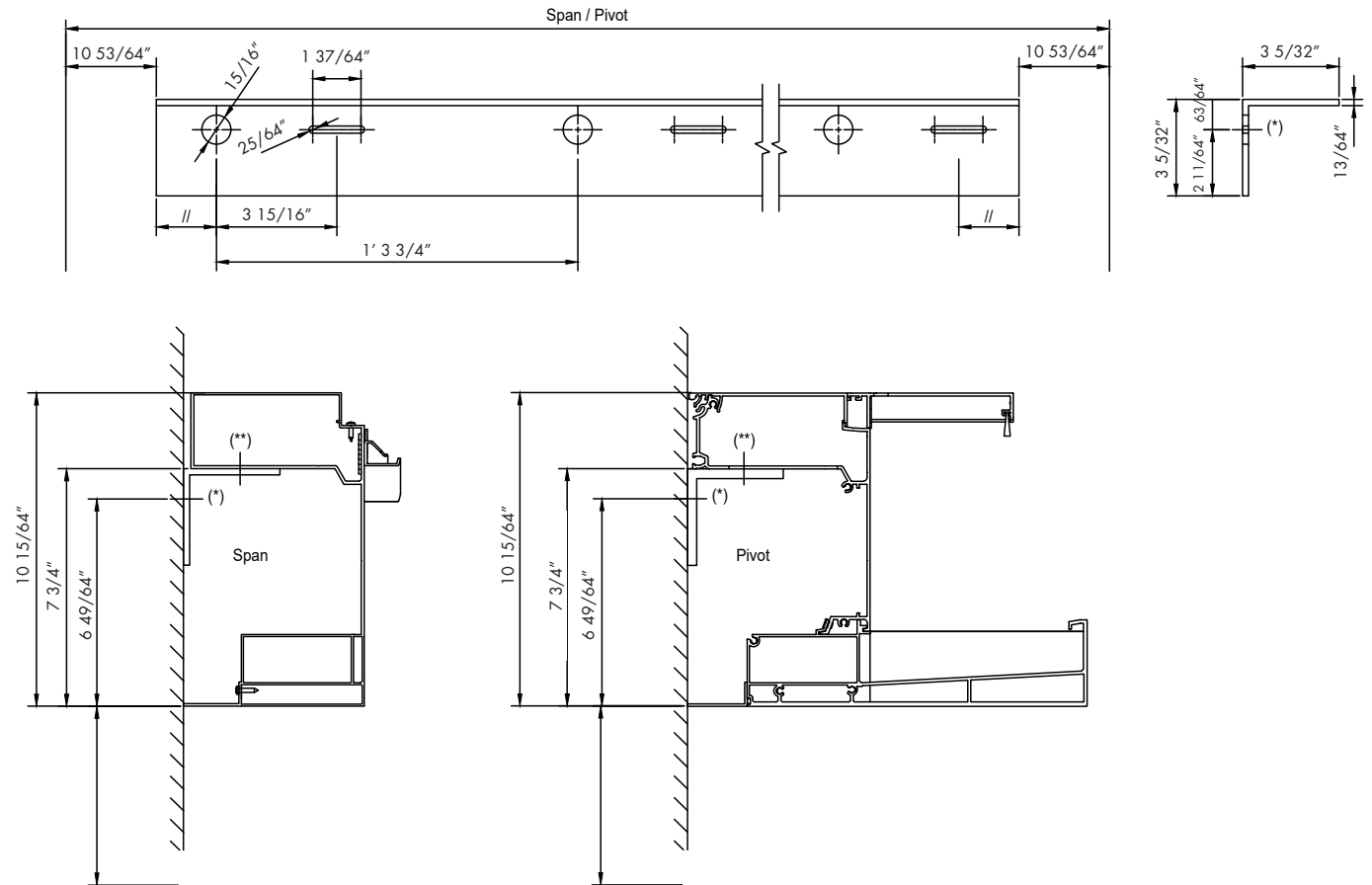
For Aero Skye, you must select the construction method for each side [span (S) – pivot (P)] when ordering. You can choose between integration and surface mounted when doing so.

Surface mounted

No screws are supplied as these need to be suitable for the supporting structure, which differs from situation to situation.

Integration

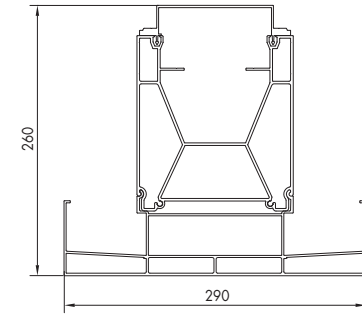
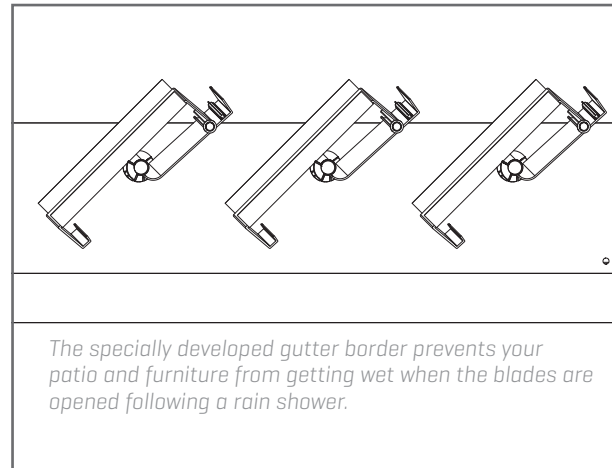
A wall-mounting profile is supplied if Aero Skye is to be integrated. Only the screws required to fasten the frame profile to the wall-mounting profile are supplied. No screws are supplied to fasten the frame profiles to the existing structure, as these need to be suitable for the supporting structure, which differs from situation to situation.



Water drainage

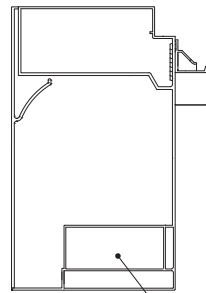
Water drainage direction

The blades are double-walled, with part serving as a gutter. The blades sit at an angle of 1 3/16". From the wide blade gutter, water will mainly drain to the lowest side and flow into the structure's integrated gutters. The structure is fitted with an integrated gutter all around.



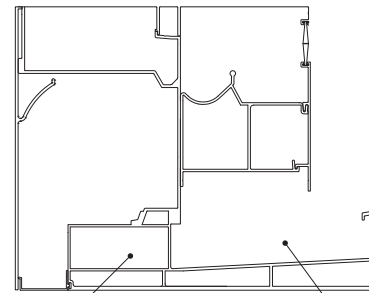
Coupeld Pivot beam

Span beam



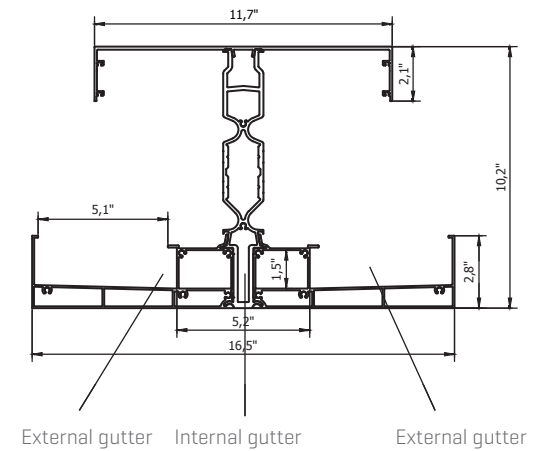
Internal gutter

Pivot beam



Internal gutter

External gutter



External gutter

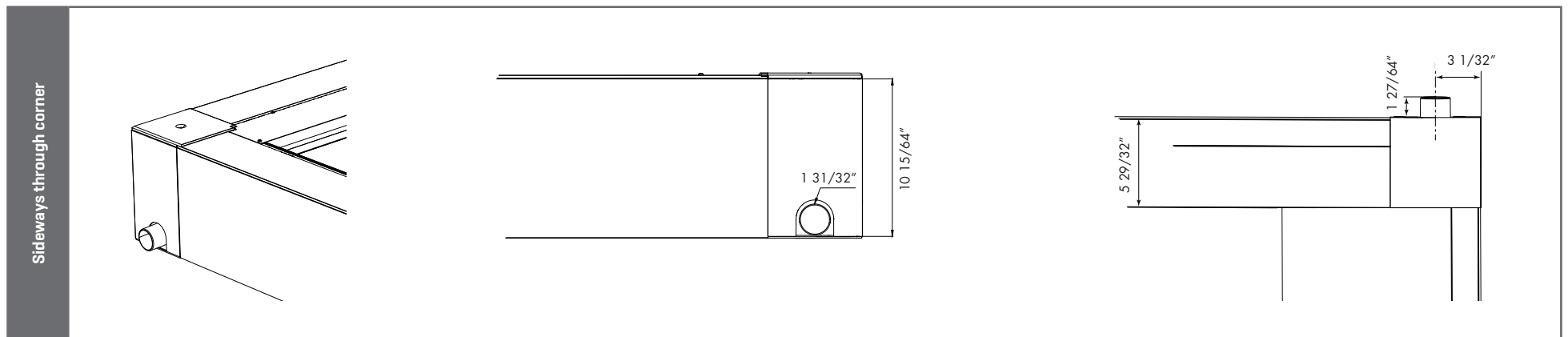
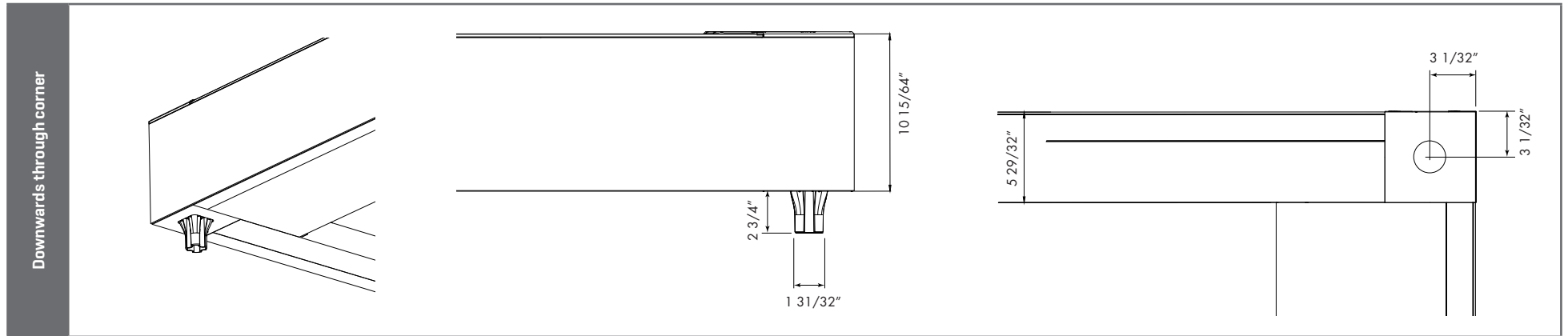
Internal gutter

External gutter

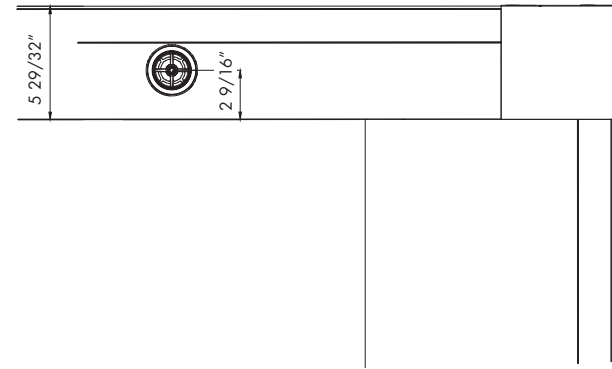
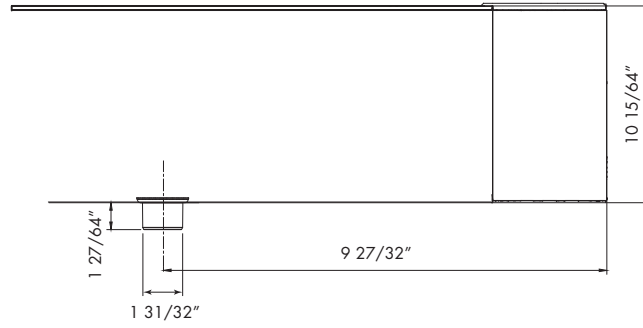
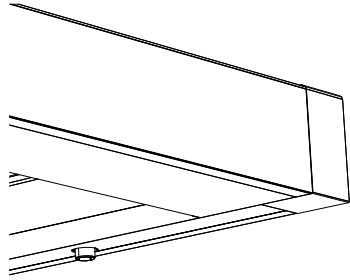
Water drainage types

Water drainage can occur in three ways:

- Downwards through corner
- Sideways through corner
- Downwards through gutter



Downwards through gutter



Number of water drainage points

Water will be drained down an integrated drainpipe in the columns of your choice. Starting at 172sqm, a minimum of two water drainage outlets must be provided for each roof section, of which at least one drain must be on the lowest side of the blades (not on the motor side). For all other dimensions, at least one drain must be arranged on the lowest side of the blades (not on the motor side).

Please note!

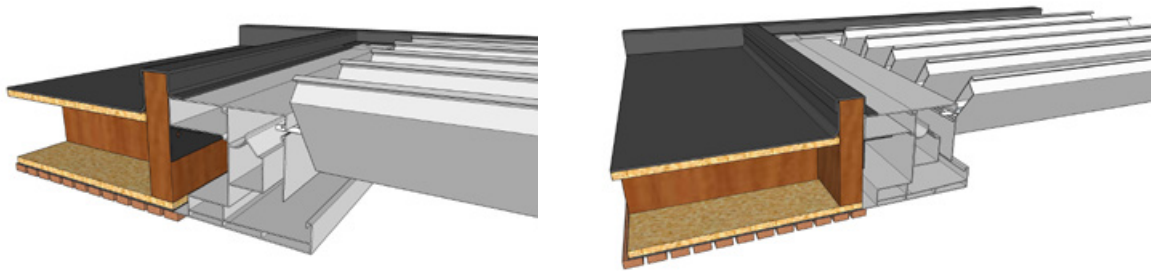
If there is only one water drainage column and the surface area is greater than 172sqm, the drainage capacity of the roof will only be 0.40GPM [gallons per minute].

Surface-mounted installation

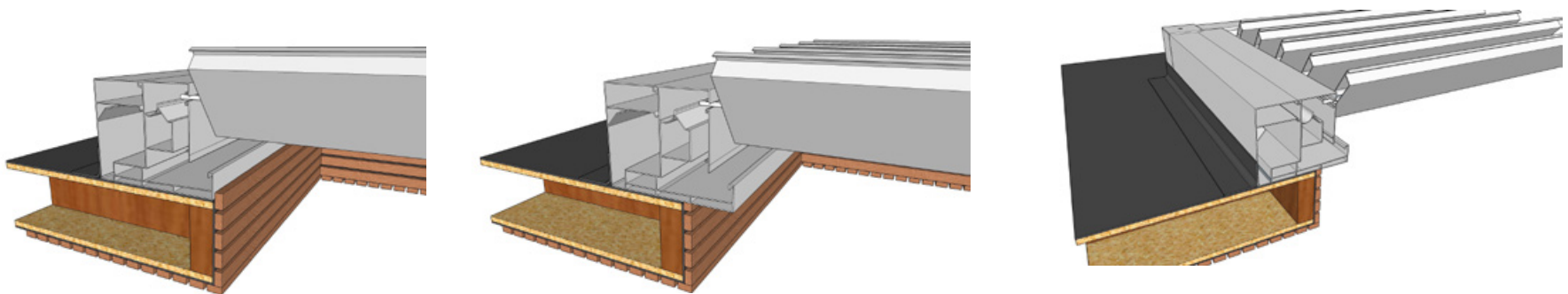


Finishing

Recessed



Surface mounted



OTHER TOOLS

Want to find out more? Visit the Professional Portal on our website (www.renson.eu) to access the following tools.

- Technical drawings
- Training documents
- Installation manual
- User manual
- [Digital photo book & social media](#)
- ...

