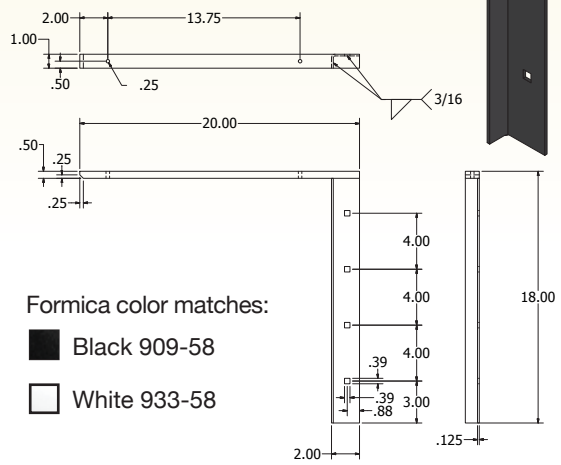
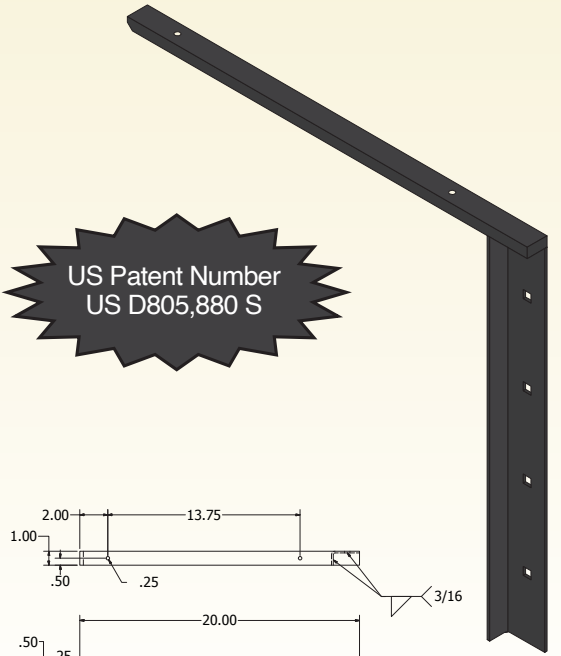
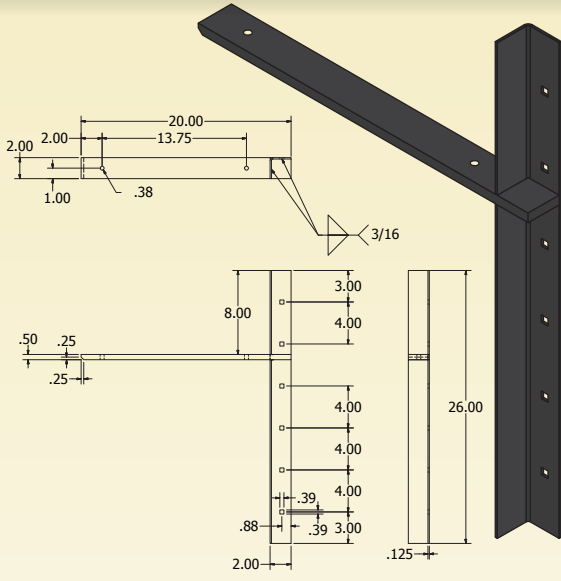




# C/EC Flat Concealed Brackets



Formica color matches:  
 Black 909-58  
 White 933-58



- CFLAT and ECFLAT Brackets available in 2.0" or 1.0" versions
- Available with 9", 12", 15", 18", 21" & 24" support arms (21" & 24" in 2.0" only)
- Available with upper extension (EC) and without upper extension (C)
- Upper extension (above the support arm) provides superior strength
- Load limit range of 1100 lbs to 4900 lbs per pair
- Mounting hardware included
- 3/8"-16" x 3" bolt assemblies
- All welds on reverse for easy, clean install
- All brackets available in black and white powdercoat
- All sizes packaged 2 pcs per box
- Half Inch horizontal support arm can be completely concealed
- Recommend backing when used with metal studs

**US Patent Number  
US D805,880 S**

## 2.0" C Flat and EC Flat Brackets - 9" to 24" Support Arm Mounting Hardware Included - ( 3/8" - 16 x 3" carriage bolt assemblies )

Bracket Size	Pcs/Wgt/Box*	LBF	Bracket Size	Pcs/Wgt/Box*	LBF
CFLAT9(2.0)	2 pcs/11 lbs.	2550/PR	ECFLAT9(2.0)	2 pcs/14 lbs.	4900/PR
CFLAT12(2.0)	2 pcs/12 lbs.	2000/PR	ECFLAT12(2.0)	2 pcs/16 lbs.	3450/PR
CFLAT15(2.0)	2 pcs/13 lbs.	1625/PR	ECFLAT15(2.0)	2 pcs/17 lbs.	2850/PR
CFLAT18(2.0)	2 pcs/18 lbs.	1470/PR	ECFLAT18(2.0)	2 pcs/22 lbs.	2400/PR
CFLAT21(2.0)	2 pcs/19 lbs.	1030/PR	ECFLAT21(2.0)	2 pcs/23 lbs.	2050/PR
CFLAT24(2.0)	2 pcs/22 lbs.	1150/PR	ECFLAT24(2.0)	2 pcs/24 lbs.	1700/PR

## 1.0" C Flat and EC Flat Brackets - 9" to 18" Support Arm Mounting Hardware Included - ( 3/8" - 16 x 3" carriage bolt assemblies )

Bracket Size	Pcs/Wgt/Box*	LBF	Bracket Size	Pcs/Wgt/Box*	LBF
CFLAT9(1.0)	2 pcs/7 lbs.	1900/PR	ECFLAT9(1.0)	2 pcs/9 lbs.	3400/PR
CFLAT12(1.0)	2 pcs/8 lbs.	1600/PR	ECFLAT12(1.0)	2 pcs/10 lbs.	2100/PR
CFLAT15(1.0)	2 pcs/8 lbs.	1025/PR	ECFLAT15(1.0)	2 pcs/11 lbs.	1210/PR
CFLAT18(1.0)	2 pcs/11 lbs.	1100/PR	ECFLAT18(1.0)	2 pcs/13 lbs.	1400/PR



**Call To Order (888) 647-0200**

1165 Strickler Road, Mount Joy, PA 17552 | Fax: (717) 653-5874

[www.AandMhardware.com](http://www.AandMhardware.com)