

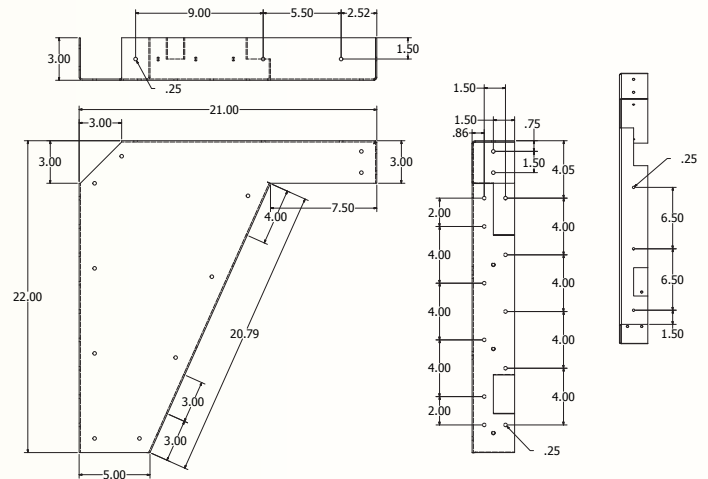


21" ADA VANITY BRACKET

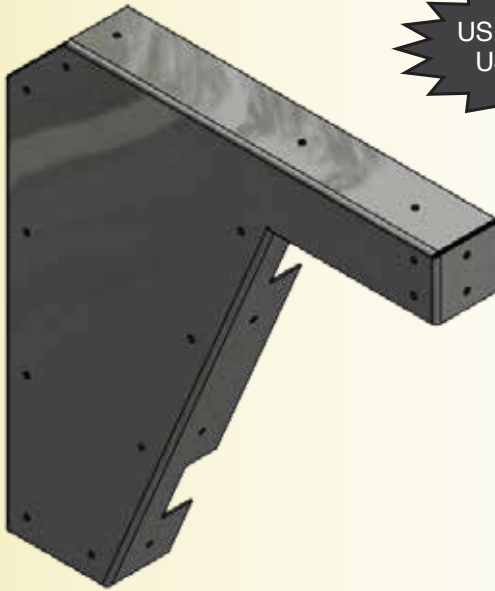


ADA VANITY BRACKET FEATURES

- Available in Made in the USA or Imported
- 12 Gauge Steel offers superior strength
- Available in Black, White, Primer, Stainless Steel and Aluminum (Import Only)
- NEW Copper veined power coat option
- Optional mounting holes on the side of Black Brackets to install your finishing panel if desired
- Accommodates 22" to 24" tops
- Spring clips & screws provided for easy on/off front skirt attachment
- No visible fasteners
- No tools required to remove & reinstall skirt
- Mounting holes provided for skirt if you do not wish to use spring clips
- 3x3 cut out for wall cleat & wire run clearance
- Load limit range of 860 lbs to 1560 lbs per pair



**US Patent Number
US D796,302 S**



Bracket Options	Pcs/Wgt/Box	Load to Deformation (LBF)
US ADA Primer	2pcs/25 lbs	1560/PR
US ADA (Black, White)	2pcs/25 lb	860/PR
US ADA Stainless	2pcs/25 lbs	1440/PR
Imported ADA	2pcs/25 lbs	1560/PR
Imported ADA Stainless	2pcs/25 lbs	860/PR
Imported ADA Aluminum	2pcs/25 lbs	1440/PR

Formica Color Matches: Black 909-58 White 933-58 Primer

A&M HARDWARE, INC.

Call To Order (888) 647-0200

1165 Strickler Road, Mount Joy, PA 17552 | Fax: (717) 653-5874

www.AandMhardware.com