

KEUCO

Fittings

IXMO





Welcome to the world of IXMO

Sensuousness and sensibility - KEUCO's passion for the bathroom runs through our veins, and is evident in all our products. A KEUCO bathroom excites the emotions. It is an intimate place of well-being. It is the embodiment of aesthetics, ergonomics and functionality.

Nothing is more difficult than making complexity seem simple.

What makes the IXMO fittings series from KEUCO so popular among design lovers and sanitary trade professionals is its concentration of functions and minimalist appearance. With its technical engineering, KEUCO has set a milestone in fittings development.

Whatever you are planning - a private ambience, a hotel bathroom, a wellness oasis, or a barrier-free application for people with special needs - IXMO always has the perfect solution, ensuring a maximum in planning freedom to make it a success.

Our IXMO products are made in our own production. Minimalism "made in Germany", with maximum quality standards.



Lubert Winnecken

Managing Director KEUCO GmbH & Co. KG



Content

PRODUCT FAMILY

Fittings with a system, for maximum planning freedom

Page 8



DESIGN LINES

Design variety in the bathroom

Page 16



SURFACES

Colourful accents for luxury and lifestyle

Page 26



SPACE-SAVING

Fittings solutions for the compact bathroom
Page 38



MINIMALISM

Multifunctional soloists for the shower
Page 44



WELLNESS

Fittings accessories for a leisurely spa ambience
Page 52



CARE

Barrier-free with a touch of design
Page 60

DESIGN

The IXMO design principle
"Less can do more"
Page 6



TOUCHLESS

Infrared basin mixers for hygienic and water-saving hand washing
Page 66

IXMO PLANNER

Planning tool for the shortest path to your dream bathroom
Page 72

TECHNOLOGY

Product data and installation benefits at a glance
Page 73



Less can do more

Combining functions produces a completely unique design approach.

Together with KEUCO developers, the designer Dominik Tesseract (Tesseract+Partner) created a multiple award-winning design icon. The reason why IXMO's design is so consistently minimalistic is because the functionality is so compactly integrated.





More freedom

In addition to in-wall solutions for shower and bath tub, the product family was systematically expanded to include fittings for washbasin and bidet. Together with the extensive shower accessories, the result is a consistently minimalistic design throughout the whole bathroom, for a maximum in creative freedom.



Product family
Fittings for shower and bath tub



Each IXMO solution is based on a thermostat or a single-lever mixer. Multi-functional modules are added as needed. In addition to connections for one, two or three water channels, these modules also compactly unite other functions such as a hose connection, hand shower bracket, stop valve, or selector.

Bath tub or shower? One or several ways? Round or rectangular mounting plate? In the bathroom, IXMO permits a variety of combination options for fittings.



- 1 Single-lever mixer, shower head, 2-way diverter valve with hose connection and hand shower bracket
- 2 Single-lever mixer, bath spout, 2-way diverter valve with wall outlet for shower hose and hand shower bracket

Product family
Fittings for washbasin and bidet

The popular fitting design in the shower and bathtub is uniformly reiterated at the washbasin and bidet. For a uniform, integrated bathroom design, IXMO fittings leave nothing to be desired.



- 1 IXMO Pure single-lever basin mixer
- 2 IXMO Pure single-lever bidet mixer









More variety

Tastes differ. Whether contemporary, clear and linear, or straightforward minimalism: to match your individual furnishing style IXMO offers a variety of designs for the central fitting on the washbasin. A harmonious big picture is ensured when combined with round or square mounting plate.



Design lines **IXMO PURE**

With the subtle variations in nuance of their spouts and handles, the IXMO Pure, IXMO Soft and IXMO Flat designs allow fine tuning of the bathroom design.

With straight, round spout and rectangular handle, IXMO Pure relies on classic beauty of form. Minimalist curves paired with strong contours produce a look of modern and pronounced design.



- 1 Accessory recommendation for IXMO Pure: PLAN collection
- 2 Wall mounted IXMO Pure single-lever basin mixer
- 3 IXMO Pure single-lever bidet mixer
- 4 IXMO Pure single-lever basin mixer



Design lines
IXMO FLAT



1



2



3

- 1 IXMO Flat single-lever basin mixer
- 2 IXMO Flat single-lever bidet mixer
- 3 Accessory recommendation for IXMO Flat:
MOLL collection
- 4 Wall mounted IXMO Flat single-lever
basin mixer



4

IXMO Flat combines round and square forms in sensuous harmony. Defining the style are the flowing, organic curves - but also the reduced, geometric shapes with clear-cut lines. An exciting symbiosis in modern bathroom architecture.

Design lines
IXMO SOFT

With rounded spout and round handle, IXMO Soft appeals to lovers of softer forms. The look has a soft and coherent feel. A fitting with flowing contours as the high-contrast design statement on a rectilinear washbasin.



- 1 IXMO Soft single-lever basin mixer
- 2 Accessory recommendation for IXMO Soft: REVA collection
- 3 Wall mounted IXMO Soft single-lever basin mixer
- 4 IXMO Soft single-lever bidet mixer









More individuality

In our hectic daily routines, self-determination and personal fulfilment are becoming increasingly important. It is no wonder that individuality is such a big trend in urban society. Refined Surfaces from KEUCO emphasise your personal style and turn the bathroom into something unique.



Surfaces
Brushed red gold



Mixer taps and accessories in brushed red gold exude unique charm. The warm colour scheme enhances the aesthetics.

- 1 EDITION 400 single-lever basin mixer
- 2 IXMO thermostat, 2-way stop and diverter valve with wall outlet for shower hose and hand shower bracket

Brushed titanium black



Those who opt for mixer taps and accessories in brushed titanium black set striking accents and experience an unexpectedly calm room architecture.

- 1 IXMO Flat single-lever basin mixer
- 2 IXMO thermostat, 2-way stop and diverter valve with wall outlet for shower hose and hand shower bracket

Surfaces
Brushed brass



1



2

True treasures in bathroom design are revealed in the exclusive KEUCO mixer taps and accessories with a brushed brass surface.

- 1 EDITION 11 single-lever basin mixer
- 2 IXMO thermostat, 2-way stop and diverter valve with wall outlet for shower hose and hand shower bracket

Brushed black chrome PVD



In rich brushed black chrome the IXMO fittings are the ultimate eye-catcher and contrast elegantly with light backgrounds.

- 1** EDITION 11 single-lever basin mixer
- 2** IXMO thermostat, 2-way stop and diverter valve with wall outlet for shower hose and hand shower bracket

Surfaces
Brushed Bronze PVD



With their extravagant metal Surfaces, the IXMO fittings in brushed bronze add a touch of luxury to the bathroom in the upscale hotel sector or the private bathroom.

- 1 EDITION 11 single-lever basin mixer
- 2 IXMO thermostat, 2-way stop and diverter valve with wall outlet for shower hose and hand shower bracket

Brushed Nickel PVD



Brushed nickel IXMO fittings produce extraordinary bathrooms that have a personal and comfortable feel - but not without a touch of extravagance.

- 1 EDITION 400 single-lever basin mixer
- 2 IXMO thermostat, 2-way stop and diverter valve with wall outlet for shower hose and hand shower bracket

Surfaces Chrome-plated

The classic: With their lustrous Surfaces, chrome-plated fittings are popular because of their maximum longevity.

Crafting Surfaces is one of KEUCO's main areas of expertise. The chrome finish has an especially deep lustre, setting accents that set themselves apart in every bathroom.



Stainless steel finish

Powerful but gentle at the same time. Design-conscious aesthetes value furnishing elements in stainless steel. The refined, matt lustre of the material and its extreme durability and design adaptability are what make it so special and appealing.

With IXMO fittings and matching accessories from KEUCO, stainless steel enthusiasts can also bring the charm of this material into the bathroom.



- 1 IXMO thermostat, 2-way stop and diverter valve with wall outlet for shower hose and hand shower bracket
- 2 PLAN Towel ring

Matt black

In matt black, IXMO sets powerful accents in the bathroom. With its fittings, accessories, and mirror cabinets, the variety of the KEUCO BLACK SELECTION assortment allows harmonious but also modern bathroom design.



Aluminium finish

With their velvety feel the IXMO fittings with aluminium finish really flatter the hands. They demonstrate their value through excellent workmanship and quality.

But the aluminium finish is extremely easy to care for, too. Fingerprints and water droplets are virtually invisible. These special properties are just as beneficial in the private bathroom as they are for use in public and semi-public areas, such as in clinics.









More space

In big cities, living solutions for limited space conditions are essential and very popular. In demand here are creative ideas for storage and space saving. Often, the bath tub is also used to shower. IXMO fittings are also perfect for use in the bath tub.



Space-saving 2-way solution

Plenty of functionality in a small space: Often the bathroom is too small to integrate shower and bath tub separately. Combining the shower and bath tub is a space-saving solution.

For two water outlets comprising bath spout and hand shower, the wall outlet for shower hose and stop and diverter function are all integrated in only one IXMO module. The temperature is regulated by the thermostat. The hand shower finds its home on the sliding rail, where its height can be adjusted as needed.

For showering comfort with large shower head, apart from the bath spout only two IXMO fittings are required on the wall: The thermostat serves as the basis here, and the other module groups together in a pronounced design the hand shower bracket, wall outlet for shower hose, and the three-way stop and diverter function.



- 1 IXMO hand shower and hand shower sliding rail
- 2 IXMO thermostat, 3-way stop and diverter valve with wall outlet for shower hose and hand shower bracket, shower head with arm for shower head, for wall union









More reduction

The fewer elements on the wall, the easier it is to clean. IXMO_solo is perfect, especially for hotels, guest-houses or semi-public areas. With only one way, operation is self-explanatory, with ample room for design freedom.



Minimalism

IXMO_solo thermostat and single-lever mixer

In the IXMO world the star and design highlight is the IXMO_solo thermostat for the shower, with its excellent concentration of functions.

For adjusting water temperature and volume, typical thermostat solutions require two elements on the wall, and with the wall outlet for shower hose, a third.

In contrast, the IXMO_solo thermostat incorporates stop valve, thermostat and wall outlet for shower hose all together in one impressively designed element.



In the IXMO_solo single-lever mixer, water temperature and volume regulation as well as wall outlet for shower hose are combined in one single module, allowing completely new design freedom in the shower area.



- 1 IXMO_solo thermostat
- 2 IXMO_solo single-lever mixer

Minimalism

IXMO_solo shower rail and wall holder

Extensive accessories are available to complement IXMO fittings. The same applies here, too: minimalist design, maximum benefit. The intelligent features can be found in the details. For example, not only can the height-adjustable sliding bracket for shower head be easily operated with only one hand or with wet hands, it can also be rotated 180° - to insert the shower head for right or left-handers.

- 1 Height-adjustable sliding bracket for shower head (with automatic spring mechanism)
- 2 Conversion from right-hand to left-hand use
- 3 Swivelling shelf, dark grey
- 4 Wall bracket for hand shower, mounted vertically on the wall
- 5 With 60 degree angle



Also practical is an integrated, swivelling shelf on the hand shower sliding rail. As a soloist, the IXMO hand shower bracket is unique. All requirements on reduced design are fulfilled by the IXMO hand shower bracket: In consummate design, the element offers an ergonomic grip and mounting in different positions.









More energy

A timeout from the hustle and bustle is a popular trend. Wellness zones and spa facilities can help to promote health. The KEUCO waterfall shower, the luminaire with integrated shower head and the SPA hose are the perfect complement to the IXMO assortment, and help you renew your strength.



Wellness
Luminaire with integrated shower head



The KEUCO luminaire with integrated shower head perfectly combines in a ceiling light and large integrated shower head the beneficial effects of water and light. To match the time of day and mood, the luminaire can be adjusted and dimmed from anything between daylight white to warm white. It is operated with a room switch (on/off, bright/dark, warm/cold light). When combined with IXMO fittings, the result is modern bathroom furnishings that excite the senses.



- 1 Luminaire with integrated shower head
- 2 IXMO thermostat with 3-way stop and diverter valve for luminaire with integrated shower head, waterfall shower, and SPA hose

Wellness

Waterfall shower and spa hose



Take a break from stressful daily life and allow your body to rejuvenate. Kneipp affusions have long shed their outmoded reputation and are now a part of every established spa. They promote blood circulation and stimulate the metabolism and the nervous system. For this, KEUCO supplies the right spa hose. It is 1800 mm long and with its white colour and high quality chrome-plated holder, it is perfectly at home in virtually any bathroom setting. Here, the wall outlet for shower hose and holder are integrated in one module. When handling it, you can really feel the solid workmanship of the hose ends, which also add a visual highlight to every SPA area.

Other appliances, such as shower head or waterfall shower, for example, can be combined with the SPA hose without difficulty. Refreshing sessions under the KEUCO waterfall shower are a sensation for the senses. The profuse jet impacts the body with a punch – just like under a waterfall. The vitalising and refreshing patter of water through the shower head gives a feeling of a warm summer rain. The chrome-plated surfaces of the fittings and shower heads add a touch of refinement to the ambience of the bathroom. Wellness for aesthetes with KEUCO.

1 SPA hose with holder

2 Waterfall shower









More security

Demand for accessible bathroom concepts is growing. Even with physical handicaps, doing without functionality in top-notch design isn't inevitable. PLAN CARE complements the IXMO assortment both technically and in terms of colour, offering comfort and security in public and private bathrooms alike.



Care IXMO and PLAN CARE

Floor level, plenty of space to move, and preferably with seating - these are the essential factors when designing a forward-looking shower. Moreover, operating the shower fitting should be easy and intuitive.



- 1 PLAN CARE tip-up seat for hooking onto grab bars
- 2 IXMO thermostat, 2-way stop and diverter valve with wall outlet for shower hose and hand shower bracket, aluminium finish
- 3 PLAN CARE, pivoted supporting rail for WC

With aluminium finish, not only do they look elegant, but they are also especially resilient. IXMO with helpful PLAN CARE accessories in the barrier-free bathroom: Scoring extra points for freedom of movement and ease of care.









More hygiene

To stay healthy and protect the health of others, daily hygiene is important. Rule number one here is frequent hand-washing. For public facilities, IXMO offers durable quality combined with timeless design, ensuring effective solutions for the washbasin.



Touchless **Infrared basin mixers**

Hygienic, convenient and sustainable: Touchless IXMO infrared basin mixers for the washbasin combine an array of benefits:

They offer a maximum in hygiene and protection, but as a smart solution they are also convenient, easy to clean, and economically appealing. With their precise metering, they save water and costs. This makes them attractive in terms of sustainability and protection of resources.





**To match
KEUCO sensor app**

The user-friendly smartphone app for installation and servicing can be used without network infrastructure and Internet connection, but also has a powerful cloud solution. It allows the optimisation of service operations and savings in water and energy.







More possibilities

IXMO permits very individual arrangements on the wall, and offers an extensive range of accessories. For ease of planning, KEUCO offers a clearly arranged configurator, which produces a result in only a few steps.

→ www.ixmo.de



Result

- Example visualisation
- Your individual summary
- Material list with article numbers
- Installation diagram
- BIM data Installation aids

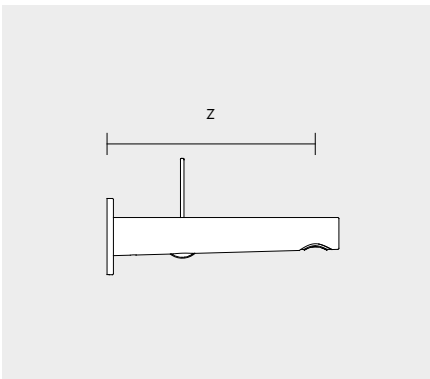
More innovation

IXMO wasn't just designed from the point of view of users and planners, but also from that of the installer.

That's why IXMO incorporates a variety of innovative features to allow particularly easy and precise installation.



When ordering, instead of the XX placeholder, insert the colour number of the desired surface in the article number.



Wall mounted IXMO Pure single-lever basin mixer

Without basin waste

- Shape of decor disc: round / square
- Connection type: G 1/2 rough part
- Mixing cartridge with ceramic sealing gaskets
- With temperature limiter
- M 24x1 aerator, stream angle adjustable +/- 6°
- Flow rate: limited to 7.6 l/min
- Suitable for flow heaters
- Sound-tested
- Required rough part: **599 16 00 00 75**

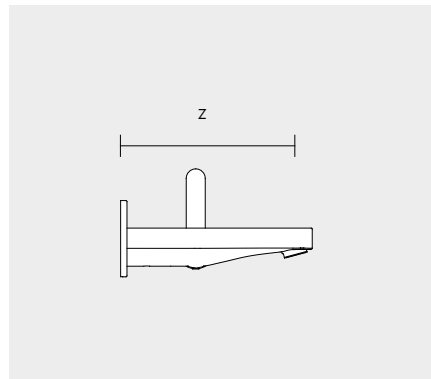
Depth z: 165 / 197 / 243 mm

Round decor disc, 165 mm: **595 16 XX 01 01**
Square decor disc, 165 mm: **595 16 XX 01 02**

Round decor disc, 197 mm: **595 16 XX 11 01**
Square decor disc, 197 mm: **595 16 XX 11 02**

Round decor disc, 243 mm: **595 16 XX 21 01**
Square decor disc, 243 mm: **595 16 XX 21 02**

Surfaces: **01, 37**



Wall mounted IXMO Flat single-lever basin mixer

Without basin waste

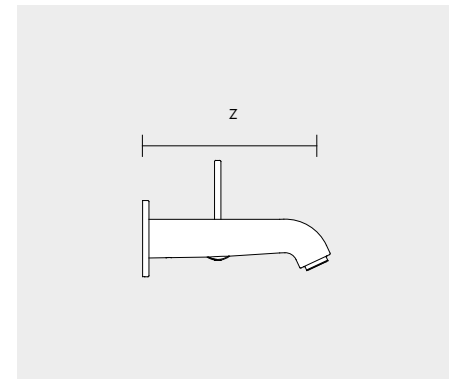
- Shape of decor disc: round / square
- Connection type: G 1/2 rough part
- Mixing cartridge with ceramic sealing gaskets
- With temperature limiter
- M 24x1 aerator, stream angle adjustable +/- 6°
- Flow rate: limited to 7.6 l/min
- Suitable for flow heaters
- Sound-tested
- Required rough part: **599 16 00 00 75**

Depth z: 165 / 225 mm

Round decor disc, 165 mm: **595 16 XX 03 01**
Square decor disc, 165 mm: **595 16 XX 03 02**

Round decor disc, 225 mm: **595 16 XX 13 01**
Square decor disc, 225 mm: **595 16 XX 13 02**

Surfaces: **01, 21, 25, 29, 35, 37**



Wall mounted IXMO Soft single-lever basin mixer

Without basin waste

- Shape of decor disc: round / square
- Connection type: G 1/2 rough part
- Mixing cartridge with ceramic sealing gaskets
- With temperature limiter
- M 24x1 aerator, stream angle adjustable +/- 6°
- Flow rate: limited to 7.6 l/min
- Suitable for flow heaters
- Sound-tested
- Required rough part: **599 16 00 00 75**

Depth z: 165 / 225 mm

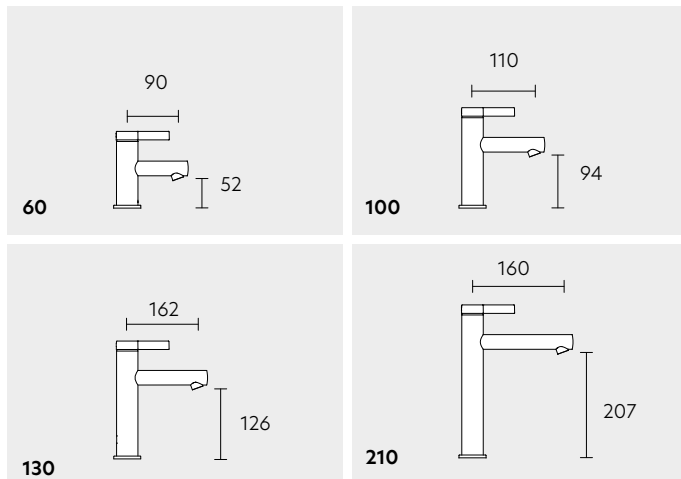
Round decor disc, 165 mm: **595 16 XX 02 01**
Square decor disc, 165 mm: **595 16 XX 02 02**

Round decor disc, 225 mm: **595 16 XX 12 01**
Square decor disc, 225 mm: **595 16 XX 12 02**

Surfaces: **01, 37**

Technology

Washbasin and bidet



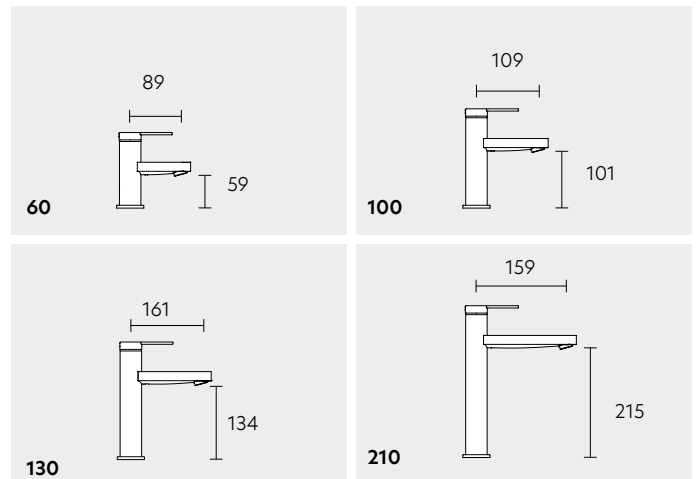
IXMO Pure single-lever basin mixer

With or without pull-rod basin waste

- Shape of decor disc: round / square
- Single hole installation with quick installation system
- Connection type: G 3/8 connector hoses
- Mixing cartridge with ceramic sealing gaskets
- Luftsprudler M 24x1, Strahlwinkel +/- 6° verstellbar
- Flow rate: limited to 7 l/min
- Suitable for flow heaters
- Sound-tested

with basin waste:		without basin waste:	
60	595 04 XX 10 00	60	595 04 XX 11 00
100	595 02 XX 10 00	100	595 02 XX 11 00
130	595 01 XX 10 01	130	595 01 XX 11 01
		210	595 10 XX 11 00

Surfaces: **01, 37**



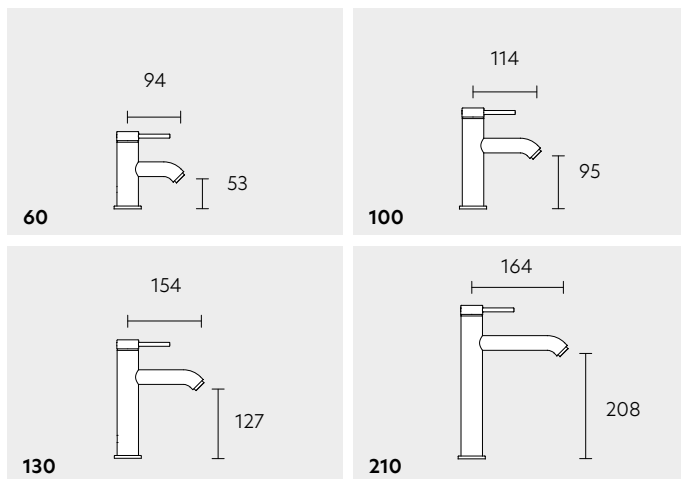
IXMO Flat single-lever basin mixer

With or without pull-rod basin waste

- Shape of decor disc: round / square
- Single hole installation with quick installation system
- Connection type: G 3/8 connector hoses
- Mixing cartridge with ceramic sealing gaskets
- Luftsprudler M 24x1, Strahlwinkel +/- 6° verstellbar
- Flow rate: limited to 7.6 l/min
- Suitable for flow heaters
- Sound-tested

with basin waste:		without basin waste:	
60	595 04 XX 30 00	60	595 04 XX 31 00
100	595 02 XX 30 00	100	595 02 XX 31 00
130	595 01 XX 30 01	130	595 01 XX 31 01
		210	595 10 XX 31 00

Surfaces: **01, 21, 25, 29, 35, 37**



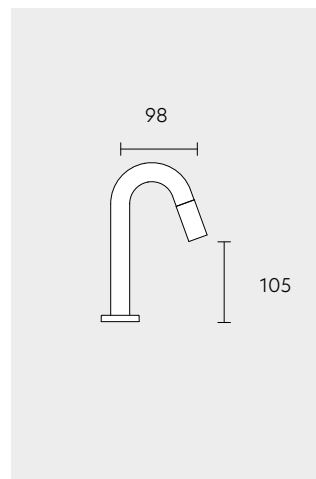
IXMO Soft single-lever basin mixer

With or without pull-rod basin waste

- Shape of decor disc: round / square
- Single hole installation with quick installation system
- Connection type: G 3/8 connector hoses
- Mixing cartridge with ceramic sealing gaskets
- Luftsprudler M 24x1, Strahlwinkel +/- 6° verstellbar
- Flow rate: limited to 7 l/min
- Suitable for flow heaters
- Sound-tested

with basin waste:		without basin waste:	
60	595 04 XX 20 00	60	595 04 XX 21 00
100	595 02 XX 20 00	100	595 02 XX 21 00
130	595 01 XX 20 01	130	595 01 XX 21 01
		210	595 10 XX 21 00

Surfaces: **01, 37**



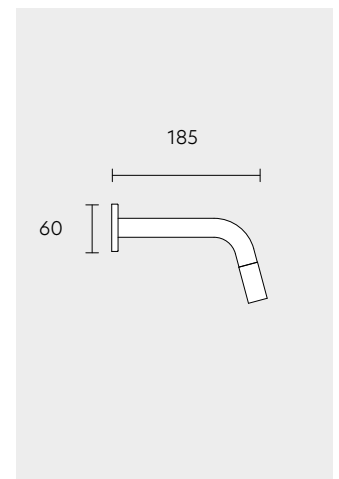
Pillar tap 110

Without basin waste

- For cold water or premixed water
- Single hole installation with quick installation system
- Thread connection: G 1/2
- Stop valve with ceramic sealing gaskets
- Aerator M 21,5x1
- Flow rate: limited to 5 l/min
- Suitable for flow heaters

595 08 XX 21 01

Surfaces: **01, 37**

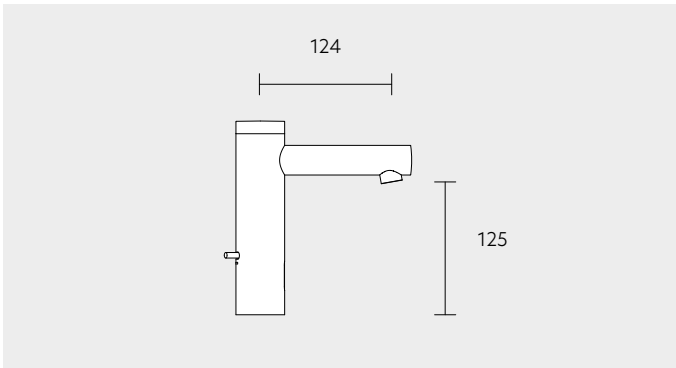


Pillar tap, wall mounted

- For cold water or premixed water
- Without basin waste
- Shape of decor disc: round
- Connection type: G 1/2 wall union
- Stop valve with ceramic sealing gaskets
- Aerator M 21,5x1
- Flow rate: limited to 5 l/min
- Suitable for flow heaters

595 18 XX 02 01

Surfaces: **01, 37**



Electronic basin mixer 130 battery-operated or mains power supply

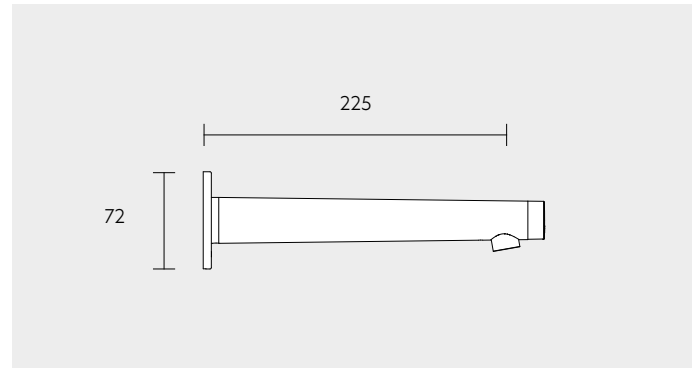
Without pull-rod basin waste

- Single hole installation with quick installation system
- Connection type: G 3/8 connector hoses,
- infrared sensor (adjustable range, adjustable run-on time)
- Manual water stop for cleaning
- Adjustable optional hygiene flushing (12 / 24 h)
- Battery-operated: 6 V, battery lifespan approx. 3 years
- Mains power supply: 6 V, input range 100-240 V
- Mixing valve with ceramic sealing gaskets
- M 20x1 aerator
- Flow rate: limited to 5 l/min
- Suitable for flow heaters
- Sound-tested

Battery operation: **595 11 XX 11 00**

Mains operation: **595 12 XX 11 00**

Surfaces: **01, 37**



Electronic basin mixer, wall mounted mains power supply

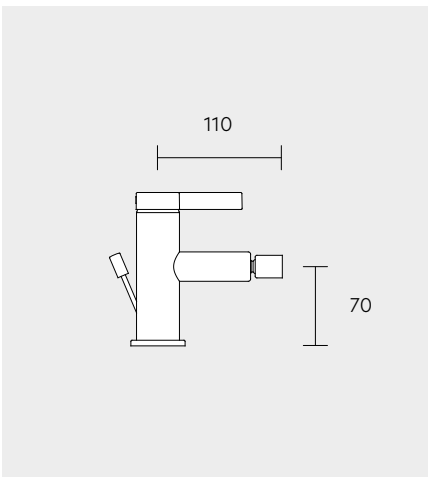
Without basin waste

- Shape of decor disc: round / square
- Connection type: rough part,
- Infrared sensor (adjustable range, adjustable run-on time)
- Manual water stop for cleaning
- Adjustable optional hygiene flushing (12 / 24 h)
- 6 V, input range 100-240 V
- Mixing valve with ceramic sealing gaskets
- M 20x1 aerator,
- Flow rate: limited to 5 l/min
- Suitable for flow heaters
- Sound-tested
- Required rough part: **599 17 00 00 70**

Round decor disc: **595 17 XX 11 01**

Square decor disc: **595 17 XX 11 02**

Surfaces: **01, 37**



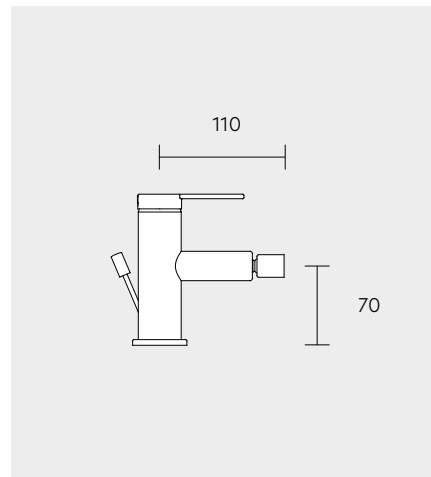
IXMO Pure single-lever bidet mixer

With 1 1/4 inch pull-rod basin waste

- Shape of decor disc: round / square
- Single hole installation with quick installation system
- Connection type: G 3/8 connector hoses
- Mixing cartridge with ceramic sealing gaskets
- M 18,5x1 ball joint aerator, stream angle adjustable +/- 20°,
- Flow rate: limited to 7.6 l/min
- Suitable for flow heaters
- Sound-tested

595 09 XX 10 00

Surfaces: **01, 37**



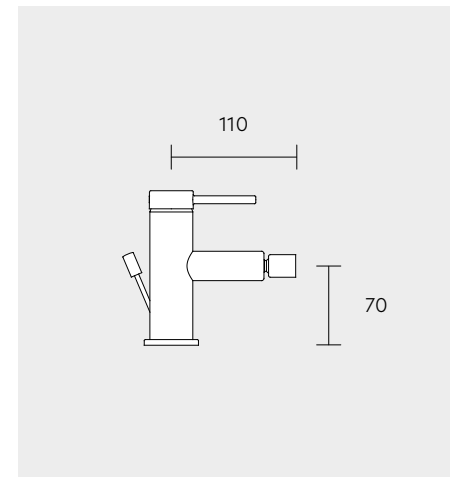
IXMO Flat single-lever bidet mixer

With 1 1/4 inch pull-rod basin waste

- Shape of decor disc: round / square
- Single hole installation with quick installation system
- Connection type: G 3/8 connector hoses
- Mixing cartridge with ceramic sealing gaskets
- M 18,5x1 ball joint aerator, stream angle adjustable +/- 20°,
- Flow rate: limited to 7.6 l/min
- Suitable for flow heaters
- Sound-tested

595 09 XX 30 00

Surfaces: **01, 21, 25, 29, 35, 37**



IXMO Soft single-lever bidet mixer

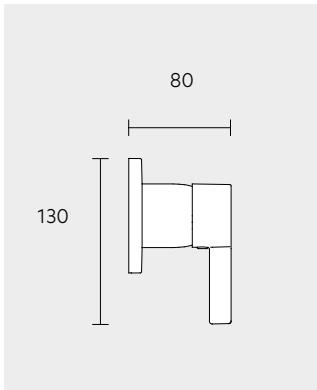
With 1 1/4 inch pull-rod basin waste

- Shape of decor disc: round / square
- Single hole installation with quick installation system
- Connection type: G 3/8 connector hoses
- Mixing cartridge with ceramic sealing gaskets
- M 18,5x1 ball joint aerator, stream angle adjustable +/- 20°,
- Flow rate: limited to 7.6 l/min
- Suitable for flow heaters
- Sound-tested

595 09 XX 20 00

Surfaces: **01, 37**

Technology Shower and bath tub

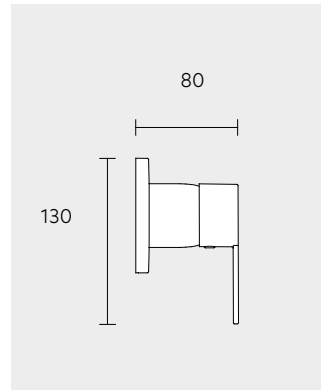


In-wall IXMO Pure single-lever mixer

- Shape of decor disc: round / square
- Connection type: G 1/2 rough part
- Mixing cartridge with ceramic sealing gaskets
- With temperature limiter
- Flow rate: 23 l/min
- Suitable for flow heaters
- Sound-tested
- Required rough part: **595 51 00 00 70**

Round decor disc: **595 51 XX 95 01**
Square decor disc: **595 51 XX 95 02**

Surfaces: **01, 37**

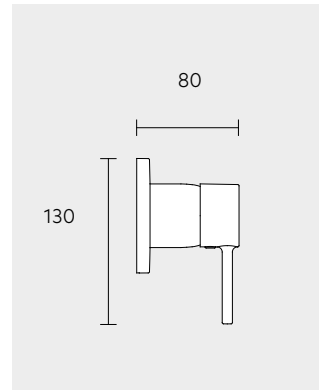


In-wall IXMO Flat single-lever mixer

- Shape of decor disc: round / square
- Connection type: G 1/2 rough part
- Mixing cartridge with ceramic sealing gaskets
- With temperature limiter
- Flow rate: 23 l/min
- Suitable for flow heaters
- Sound-tested
- Required rough part: **595 51 00 00 70**

Round decor disc: **595 51 XX 03 01**
Square decor disc: **595 51 XX 03 02**

Surfaces: **01, 21, 25, 29, 35, 37**

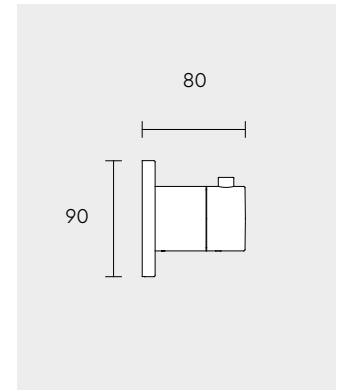


In-wall IXMO Soft single-lever mixer

- Shape of decor disc: round / square
- Connection type: G 1/2 rough part
- Mixing cartridge with ceramic sealing gaskets
- With temperature limiter
- Flow rate: 23 l/min
- Suitable for flow heaters
- Sound-tested
- Required rough part: **595 51 00 00 70**

Round decor disc: **595 51 XX 02 01**
Square decor disc: **595 51 XX 02 02**

Surfaces: **01, 37**



In-wall thermostatic mixer

- Shape of decor disc: round / square
- Connection type: G 1/2 rough part
- Temperature regulator
- Safety shut-off at 38 °C
- Flow rate: 22 l/min
- Suitable for flow heaters
- Sound-tested
- Required rough part: **595 53 00 00 70**

Round decor disc: **595 53 XX 00 01**
Square decor disc: **595 53 XX 00 02**

Surfaces: **01, 03, 05, 13, 17, 21, 25, 29, 35, 37**

Installation Aids Mounting rail

A real problem-solver for installers: A special installation rail is available for IXMO. It can be positioned horizontally or vertically. The functional parts can be moved to any position on the rail and fixed in place with the screws.



1. In all modules the temporary plugs have the same diameter, so they can be used for adjustments with a spirit level. If the mounting rail is used, the rail is aligned. The functional parts are aligned automatically once they are hung in the rail.



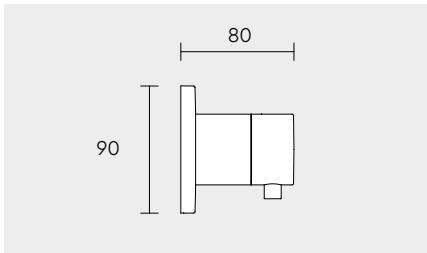
2. The temporary plugs have register marks on the front, with the help of which the distance between modules can be precisely measured. On the rail the functional parts can be shifted by any amount.



3. All modules can be flexibly installed in a 360° range, with the exception of the single-lever mixer. The mounting rail can be used in either a horizontal or vertical position.

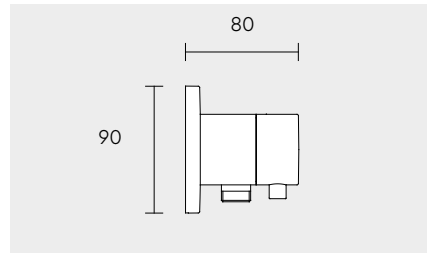


4. The functional unit can be finely adjusted with the threaded pins in such a way that it is aligned perfectly against the wall at right angles. When the mounting rail is used, the threaded pins are used to fasten the modules to the rail.



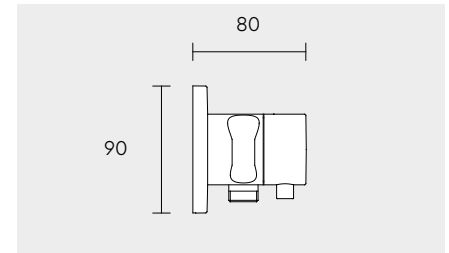
Valves without wall outlet for shower hose

- Shape of decor disc: round / square
- Connection type: G 1/2 rough part
- Stop or diverter valve with ceramic sealing gaskets
- Suitable for flow heaters
- Sound-tested



Valves with wall outlet for shower hose

- Shape of decor disc: round / square
- Connection type: G 1/2 rough part
- G 1/2 wall outlet for shower hose
- Stop or diverter valve with ceramic sealing gaskets
- Intrinsically safe against backflow as per DIN EN 1717
- Suitable for flow heaters
- Sound-tested



Valves with wall outlet for shower hose and hand shower bracket

- Shape of decor disc: round / square
- Connection type: G 1/2 rough part
- G 1/2 wall outlet for shower hose
- Hand shower bracket for hoses with conical nuts
- Stop or diverter valve with ceramic sealing gaskets
- Intrinsically safe against backflow as per DIN EN 1717
- Suitable for flow heaters
- Sound-tested

In-wall stop valve for 1 way

- Flow rate: 25 l/min
- Required rough part: **595 41 00 00 70**

Round decor disc: **595 41 XX 10 01**
 Square decor disc: **595 41 XX 10 02**

Surfaces: **01, 21, 25, 29, 35, 37**

In-wall stop valve for 1 way

- Flow rate: 12 l/min
- Required rough part: **595 41 00 01 70**

Round decor disc: **595 41 XX 11 01**
 Square decor disc: **595 41 XX 11 02**

Surfaces: **01, 21, 25, 29, 35, 37**

In-wall stop valve for 1 way

- Flow rate: 12 l/min
- Required rough part: **595 41 00 01 70**

Round decor disc: **595 41 XX 12 01**
 Square decor disc: **595 41 XX 12 02**

Surfaces: **01, 21, 25, 29, 35, 37**

In-wall diverter valve for 2 way

- Flow rate: 22 l/min
- Required rough part: **595 56 00 00 70**

Round decor disc: **595 56 XX 10 01**
 Square decor disc: **595 56 XX 10 02**

Surfaces: **01, 21, 25, 29, 35, 37**

In-wall diverter valve for 2 way

- Flow rate: 24 l/min
- Wall outlet for shower hose: 17 l/min
- Required rough part: **595 56 00 01 70**

Round decor disc: **595 56 XX 11 01**
 Square decor disc: **595 56 XX 11 02**

Surfaces: **01, 03, 05, 13, 21, 25, 29, 35, 37**

In-wall diverter valve for 2 way

- Flow rate: 24 l/min
- Wall outlet for shower hose: 17 l/min
- Required rough part: **595 56 00 01 70**

Round decor disc: **595 56 XX 12 01**
 Square decor disc: **595 56 XX 12 02**

Surfaces: **01, 03, 05, 13, 17, 21, 25, 29, 35, 37**

In-wall stop and diverter valve for 2 way

- Flow rate: 23 l/min
- Required rough part: **595 57 00 00 70**

Round decor disc: **595 57 XX 10 01**
 Square decor disc: **595 57 XX 10 02**

Surfaces: **01, 21, 25, 29, 35, 37**

In-wall stop and diverter valve for 2 way

- Flow rate: 22 l/min
- Wall outlet for shower hose: 16 l/min
- Required rough part: **595 56 00 01 70**

Round decor disc: **595 57 XX 11 01**
 Square decor disc: **595 57 XX 11 02**

Surfaces: **01, 03, 05, 13, 21, 25, 29, 35, 37**

In-wall stop and diverter valve for 2 way

- Flow rate: 22 l/min
- Wall outlet for shower hose: 16 l/min
- Required rough part: **595 56 00 01 70**

Round decor disc: **595 57 XX 12 01**
 Square decor disc: **595 57 XX 12 02**

Surfaces: **01, 03, 05, 13, 17, 21, 25, 29, 35, 37**

In-wall diverter valve for 3 way

- Flow rate: 23 l/min
- Required rough part: **595 48 00 00 70**

Round decor disc: **595 48 XX 10 01**
 Square decor disc: **595 48 XX 10 02**

Surfaces: **01, 21, 25, 29, 35, 37**

In-wall diverter valve for 3 way

- Flow rate: 23 l/min
- Wall outlet for shower hose: 16 l/min
- Required rough part: **595 48 00 01 70**

Round decor disc: **595 48 XX 11 01**
 Square decor disc: **595 48 XX 11 02**

Surfaces: **01, 21, 25, 29, 35, 37**

In-wall diverter valve for 3 way

- Flow rate: 23 l/min
- Wall outlet for shower hose: 16 l/min
- Required rough part: **595 48 00 01 70**

Round decor disc: **595 48 XX 12 01**
 Square decor disc: **595 48 XX 12 02**

Surfaces: **01, 21, 25, 29, 35, 37**

In-wall stop and diverter valve for 3 way

- Flow rate: 22 l/min
- Required rough part: **595 48 00 00 70**

Round decor disc: **595 49 XX 10 01**
 Square decor disc: **595 49 XX 10 02**

Surfaces: **01, 21, 25, 29, 35, 37**

In-wall stop and diverter valve for 3 way

- Flow rate: 23 l/min
- Wall outlet for shower hose: 16 l/min
- Required rough part: **595 48 00 01 70**

Round decor disc: **595 49 XX 11 01**
 Square decor disc: **595 49 XX 11 02**

Surfaces: **01, 21, 25, 29, 35, 37**

In-wall stop and diverter valve for 3 way

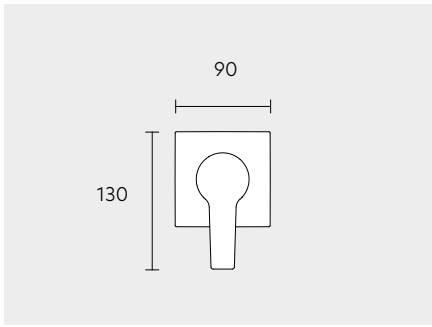
- Flow rate: 23 l/min
- Wall outlet for shower hose: 16 l/min
- Required rough part: **595 48 00 01 70**

Round decor disc: **595 49 XX 12 01**
 Square decor disc: **595 49 XX 12 02**

Surfaces: **01, 03, 05, 13, 21, 25, 29, 35, 37**

Technology

Shower and bath tub EDITION 11

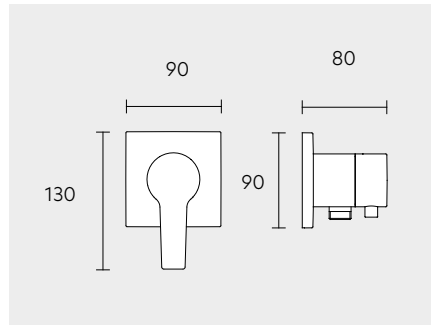


EDITION 11 In-wall single-lever mixer

- Shape of decor disc: square
- Connection type: G 1/2 rough part
- Mixing cartridge with ceramic sealing gaskets
- With temperature limiter
- Flow rate: 23 l/min
- Suitable for flow heaters
- Sound-tested
- Required rough part: **599 51 00 00 70**

511 51 XX 00 02

Surfaces: **01, 03, 05, 13, 17, 21, 25, 29, 35, 37**



2-way in-wall single-lever shower mixer set, with wall outlet for shower hose

- Shape of decor disc: square
- Connection type: G 1/2 rough part
- Mixing cartridge / diverter valve with ceramic sealing gaskets
- Suitable for flow heaters
- Sound-tested
- Required rough part: **599 51 00 21 70**

Single-lever mixer: **511 51 XX 00 02**

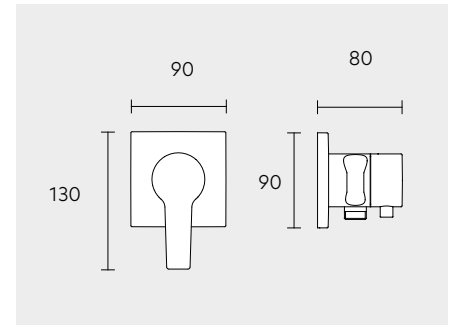
- With temperature limiter
- Flow rate: 23 l/min

Diverter valve: **595 56 XX 11 02**

- Flow rate: 24 l/min
- Flow rate wall outlet for shower hose: 17 l/min
- Intrinsically safe against backflow as per DIN EN 1717

511 51 XX 11 22

Surfaces: **01, 03, 05, 13, 17, 21, 25, 29, 35, 37**



2-way in-wall single-lever shower mixer set, with wall outlet for shower hose and hand shower bracket

- Shape of decor disc: square
- Connection type: G 1/2 rough part
- Mixing cartridge / diverter valve with ceramic sealing gaskets
- Suitable for flow heaters
- Sound-tested
- Required rough part: **599 51 00 21 70**

Single-lever mixer: **511 51 XX 00 02**

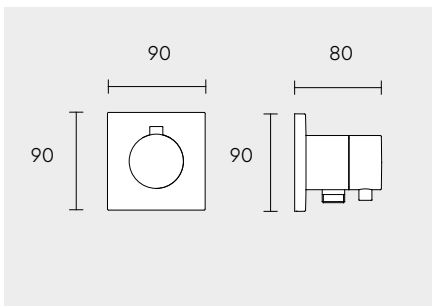
- With temperature limiter
- Flow rate: 23 l/min

Diverter valve: **595 56 XX 12 02**

- G 1/2 wall outlet for shower hose
- Hand shower bracket for hoses with conical nuts
- Flow rate: 24 l/min
- flow rate wall outlet for shower hose: 17 l/min
- Intrinsically safe against backflow as per DIN EN 1717

511 51 XX 12 22

Surfaces: **01, 03, 05, 13, 17, 21, 25, 29, 35, 37**



2-way in-wall thermostat shower mixer, with wall outlet for shower hose

- Shape of decor disc: square
- Connection type: G 1/2 rough part
- Suitable for flow heaters
- Sound-tested
- Required rough part: **599 53 00 21 70**

Thermostat shower mixer: **595 53 XX 00 02**

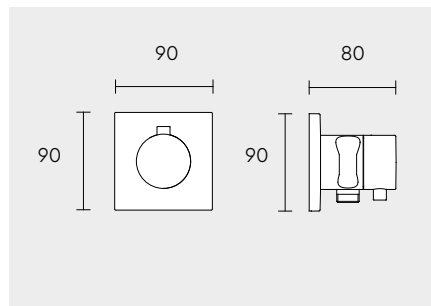
- Temperature regulator
- Safety shut-off at 38 °C
- Flow rate: 22 l/min

Stop and diverter valve: **595 57 XX 11 02**

- G 1/2 wall outlet for shower hose
- Stop and diverter valve with ceramic sealing gaskets
- Flow rate: 22 l/min
- Flow rate wall outlet for shower hose: 13 l/min
- Intrinsically safe against backflow as per DIN EN 1717

511 53 XX 11 22

Surfaces: **01, 03, 05, 13, 17, 21, 25, 29, 35, 37**



2-way in-wall thermostat shower mixer, with wall outlet for shower hose and hand shower bracket

- Shape of decor disc: square
- Connection type: G 1/2 rough part
- Suitable for flow heaters
- Sound-tested
- Required rough part: **599 53 00 21 70**

Thermostat shower mixer: **595 53 XX 00 02**

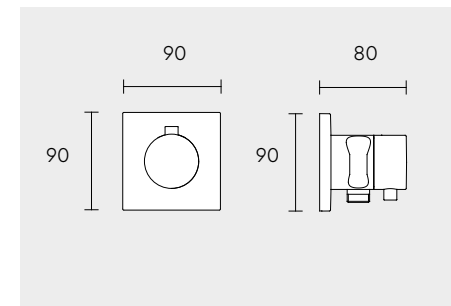
- Temperature regulator
- Safety shut-off at 38 °C
- Flow rate: 22 l/min

Stop and diverter valve: **595 57 XX 12 02**

- G 1/2 wall outlet for shower hose
- Hand shower bracket for hoses with conical nuts
- Stop and diverter valve with ceramic sealing gaskets
- Flow rate: 22 l/min
- Flow rate wall outlet for shower hose: 13 l/min
- Intrinsically safe against backflow as per DIN EN 1717

511 53 XX 12 22

Surfaces: **01, 03, 05, 13, 17, 21, 25, 29, 35, 37**



3-way in-wall thermostat shower mixer, with wall outlet for shower hose and hand shower bracket

- Shape of decor disc: square
- Connection type: G 1/2 rough part
- Suitable for flow heaters
- Sound-tested
- Required rough part: **599 53 00 31 70**

Thermostat shower mixer: **595 53 XX 00 02**

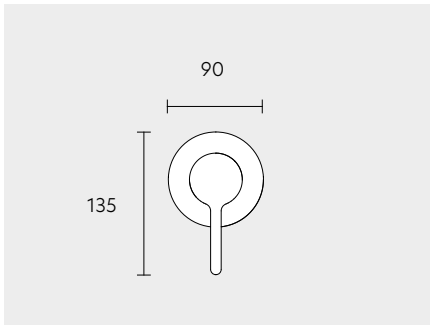
- Temperature regulator
- Safety shut-off at 38 °C
- Flow rate: 22 l/min

Stop and diverter valve: **595 49 XX 12 02**

- G 1/2 wall outlet for shower hose
- Hand shower bracket for hoses with conical nuts
- Stop and diverter valve with ceramic sealing gaskets
- Flow rate: 24 l/min
- Flow rate wall outlet for shower hose: 14 l/min
- Intrinsically safe against backflow as per DIN EN 1717

511 53 XX 12 32

Surfaces: **01, 03, 05, 13, 17, 21, 25, 29, 35, 37**

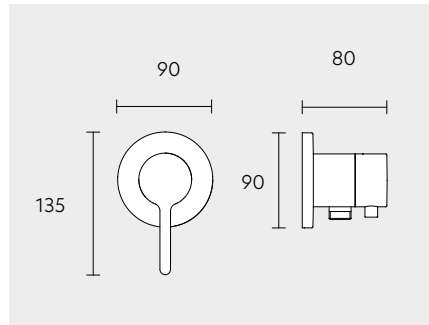


EDITION 400
In-wall single-lever mixer

- Shape of decor disc: round
- Connection type: G 1/2 rough part
- Mixing cartridge with ceramic sealing gaskets
- With temperature limiter
- Flow rate: 23 l/min
- Suitable for flow heaters
- Sound-tested
- Required rough part: **595 51 00 00 70**

515 51 XX 00 01

Surfaces: **01, 03, 05, 13, 17, 21, 25, 29, 35**



2-way in-wall single-lever shower mixer set, with wall outlet for shower hose

- Shape of decor disc: round
- Connection type: G 1/2 rough part
- Mixing cartridge / diverter valve with ceramic sealing gaskets
- Suitable for flow heaters
- Sound-tested
- Required rough part: **599 51 00 21 70**

Single-lever mixer: **511 51 XX 00 01**

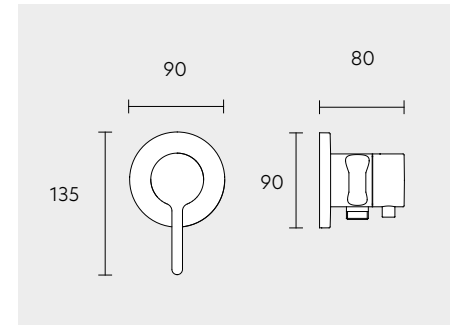
- With temperature limiter
- Flow rate: 23 l/min

Diverter valve: **595 56 XX 11 01**

- Flow rate: 24 l/min
- Flow rate wall outlet for shower hose: 17 l/min
- Intrinsically safe against backflow as per DIN EN 1717

515 51 XX 11 21

Surfaces: **01, 03, 05, 13, 17, 21, 25, 29, 35**



2-way in-wall single-lever shower mixer set, with wall outlet for shower hose and hand shower bracket

- Shape of decor disc: round
- Connection type: G 1/2 rough part
- Mixing cartridge / diverter valve with ceramic sealing gaskets
- Suitable for flow heaters
- Sound-tested
- Required rough part: **599 51 00 21 70**

Single-lever mixer: **511 51 XX 00 01**

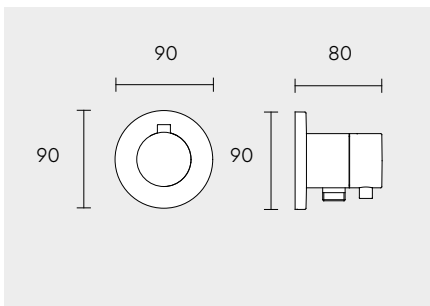
- With temperature limiter
- Flow rate: 23 l/min

Diverter valve: **595 56 XX 12 01**

- Wall outlet for shower hose G 1/2
- Hand shower bracket for hoses with conical nuts
- Flow rate: 24 l/min
- Flow rate wall outlet for shower hose: 17 l/min
- Intrinsically safe against backflow as per DIN EN 1717

515 51 XX 12 21

Surfaces: **01, 03, 05, 13, 17, 21, 25, 29, 35**



2-way in-wall thermostat shower mixer, with wall outlet for shower hose

- Shape of decor disc: round
- Connection type: G 1/2 rough part
- Suitable for flow heaters
- Sound-tested
- Required rough part: **599 53 00 21 70**

Thermostat shower mixer: **595 53 XX 00 01**

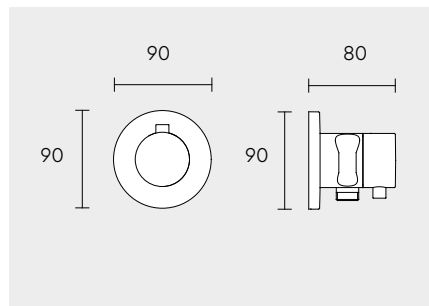
- Temperature regulator
- Safety shut-off at 38 °C
- Flow rate: 22 l/min

Stop and diverter valve: **595 57 XX 11 01**

- G 1/2 wall outlet for shower hose
- Stop and diverter valve with ceramic sealing gaskets
- Flow rate: 22 l/min
- Flow rate wall outlet for shower hose: 13 l/min
- Intrinsically safe against backflow as per DIN EN 1717

515 53 XX 11 21

Surfaces: **01, 03, 05, 13, 17, 21, 25, 29, 35**



2-way in-wall thermostat shower mixer, with wall outlet for shower hose and hand shower bracket

- Shape of decor disc: round
- Connection type: G 1/2 rough part
- Suitable for flow heaters
- Sound-tested
- Required rough part: **599 53 00 21 70**

Thermostat shower mixer: **595 53 XX 00 01**

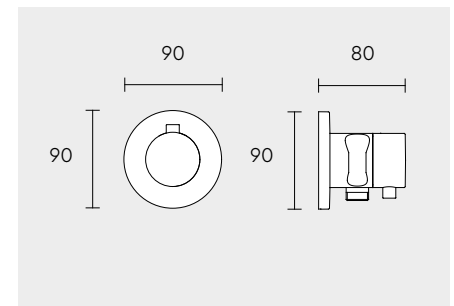
- Temperature regulator
- Safety shut-off at 38 °C
- Flow rate: 22 l/min

Stop and diverter valve: **595 57 XX 12 01**

- G 1/2 wall outlet for shower hose
- Hand shower bracket for hoses with conical nuts
- Stop and diverter valve with ceramic sealing gaskets
- Flow rate: 22 l/min
- Flow rate wall outlet for shower hose: 13 l/min
- Intrinsically safe against backflow as per DIN EN 1717

515 53 XX 12 21

Surfaces: **01, 03, 05, 13, 17, 21, 25, 29, 35**



3-way in-wall thermostat shower mixer, with wall outlet for shower hose and hand shower bracket

- Shape of decor disc: round
- Connection type: G 1/2 rough part
- Suitable for flow heaters
- Sound-tested
- Required rough part: **599 53 00 31 70**

Thermostat shower mixer: **595 53 XX 00 01**

- Temperature regulator
- Safety shut-off at 38 °C
- Flow rate: 22 l/min

Stop and diverter valve: **595 49 XX 12 01**

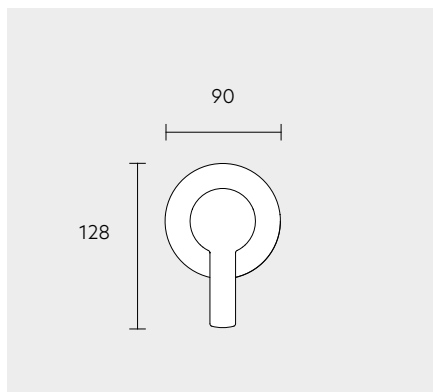
- G 1/2 wall outlet for shower hose
- Hand shower bracket for hoses with conical nuts
- Stop and diverter valve with ceramic sealing gaskets
- Flow rate: 24 l/min
- Flow rate wall outlet for shower hose: 14 l/min
- Intrinsically safe against backflow as per DIN EN 1717

515 53 XX 12 31

Surfaces: **01, 03, 05, 13, 17, 21, 25, 29, 35**

Technology

Shower and bath tub PLAN blue

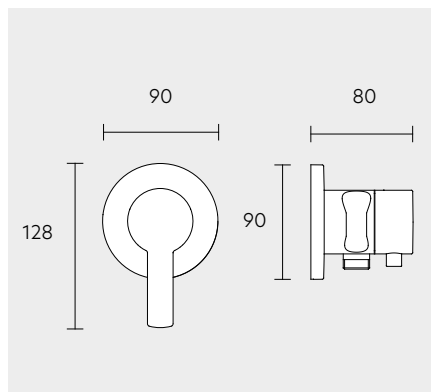


PLAN blue
In-wall single-lever mixer

- Shape of decor disc: round
- Connection type: G 1/2 rough part
- Mixing cartridge with ceramic sealing gaskets
- With temperature limiter
- Flow rate: 23 l/min
- Suitable for flow heaters
- Sound-tested
- Required rough part: **595 51 00 00 70**

539 51 XX 00 01

Surfaces: **01, 17, 21, 37**



2-way in-wall single-lever shower mixer set, with wall outlet for shower hose

- Shape of decor disc: round
- Connection type: G 1/2 rough part
- Mixing cartridge / diverter valve with ceramic sealing gaskets
- Suitable for flow heaters
- Sound-tested
- Required rough part: **599 51 00 21 70**

Single-lever mixer: **539 51 XX 00 01**

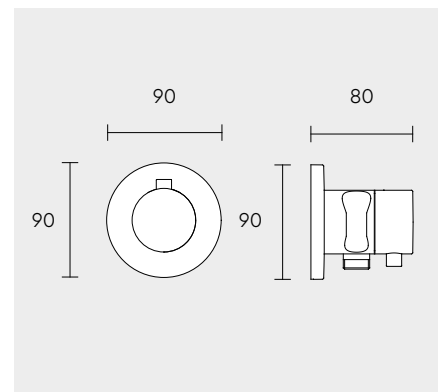
- Safety shut-off at 38 °C
- Flow rate: 23 l/min

Diverter valve: **595 56 XX 12 01**

- G 1/2 wall outlet for shower hose
- Hand shower bracket for hoses with conical nuts
- Flow rate: 24 l/min
- flow rate wall outlet for shower hose: 17 l/ min
- Intrinsically safe against backflow as per DIN EN 1717

539 51 XX 12 21

Surfaces: **01, 17, 21, 37**



2-way in-wall thermostat shower mixer, with wall outlet for shower hose and hand shower bracket

- Shape of decor disc: round
- Connection type: G 1/2 rough part
- Suitable for flow heaters
- Sound-tested
- Required rough part: **599 53 00 21 70**

Thermostat mixer: **595 53 XX 00 01**

- Temperature regulator
- Safety shut-off at 38 °C
- Flow rate: 22 l/min

Stop and diverter valve: **595 57 XX 12 01**

- G 1/2 wall outlet for shower hose
- Hand shower bracket for hoses with conical nuts
- Stop and diverter valve with ceramic sealing gaskets
- Flow rate: 24 l/min
- Flow rate wall outlet for shower hose: 14 l/ min
- Intrinsically safe against backflow as per DIN EN 1717

539 53 XX 12 21

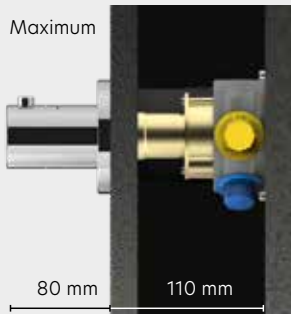
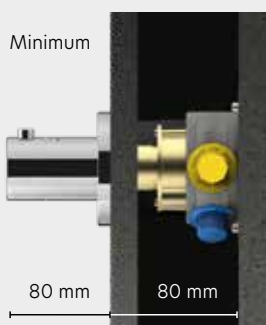
Surfaces: **01, 17, 21, 37**

Installation intelligence

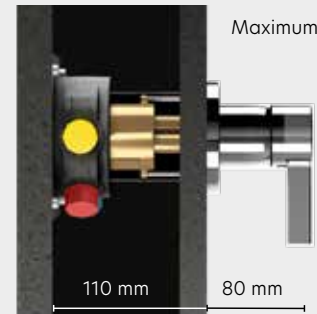
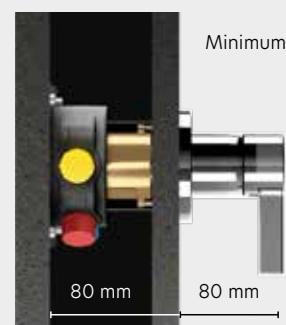
IXMO depth compensation

The intelligent depth compensation feature of IXMO fittings can be finely adjusted for installation depths anywhere from 80 to 110 mm. The distance the single-lever mixer and the thermostat project out from the wall is always 80 mm.

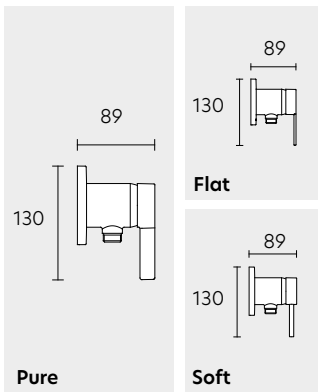
Thermostat



Single-lever mixer



Shower and bath tub IXMO_solo



In-wall single-lever shower mixer, with wall outlet for shower hose

- Shape of decor disc: round/ square
- Connection type: G 1/2 rough part
- G 1/2 wall outlet for shower hose
- Mixing cartridge with ceramic sealing gaskets
- With temperature limiter
- Flow rate: 13 l/min
- Inherently safe against backflow as per DIN EN 1717
- Suitable for flow heaters
- Sound-tested
- Required rough part: **595 52 00 01 70**

IXMO Pure

Decor disc	
Round:	595 52 XX 95 01
Square:	595 52 XX 95 02

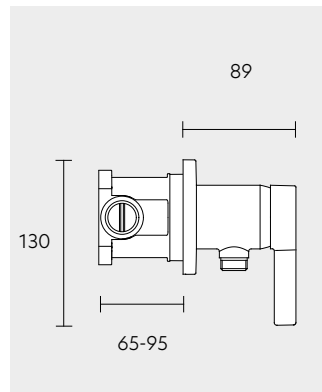
IXMO Flat

Round:	595 52 XX 03 01
Square:	595 52 XX 03 02

IXMO Soft

Round:	595 52 XX 02 01
Square:	595 52 XX 02 02

Surfaces: **01, 37**



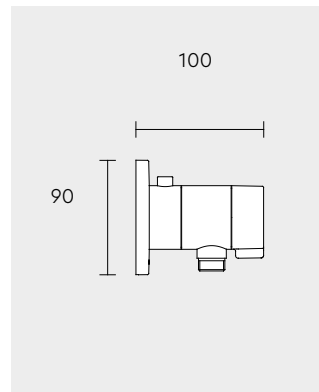
In-wall single-lever shower mixer set, with wall outlet for shower hose

- Shape of decor disc: round/ square
- Connection type: G 1/2 rough part
- G 1/2 wall outlet for shower hose
- Mixing cartridge with ceramic sealing gaskets
- With temperature limiter
- Flow rate: 13 l/min
- Inherently safe against backflow as per DIN EN 1717
- Suitable for flow heaters
- Sound-tested
- Included rough part: **595 52 00 01 70**

IXMO Pure

Decor disc	
Round:	595 52 XX 95 21
Square:	595 52 XX 95 22

Surface: **01**



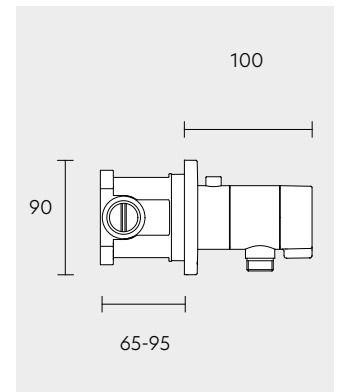
In-wall thermostat shower mixer, with wall outlet for shower hose

- Shape of decor disc: round / square
- Connection type: G 1/2 rough part
- G 1/2 wall outlet for shower hose
- Temperature regulator
- Safety shut-off at 38 °C
- Shut-off valve with ceramic sealing gaskets
- Flow rate: 12 l/min
- Inherently safe against backflow as per DIN EN 1717
- Suitable for flow heaters
- Sound-tested
- Required rough part: **595 52 00 01 70**

Decor disc

Round:	595 54 XX 00 01
Square:	595 54 XX 00 02

Surfaces: **01, 37**



In-wall thermostat shower mixer, with wall outlet for shower hose

- Shape of decor disc: round / square
- Connection type: G 1/2 rough part
- G 1/2 wall outlet for shower hose
- Temperature regulator
- Safety shut-off at 38 °C
- Shut-off valve with ceramic sealing gaskets
- Flow rate: 12 l/min
- Inherently safe against backflow as per DIN EN 1717
- Suitable for flow heaters
- Sound-tested
- Included rough part: **595 54 00 01 70**

Decor disc

Round:	595 54 XX 00 21
Square:	595 54 XX 00 22

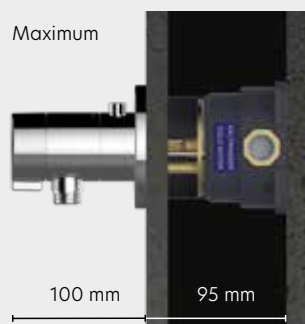
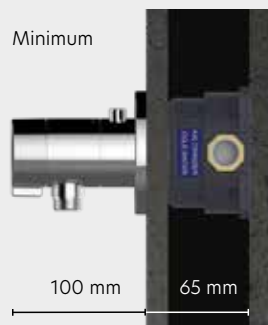
Surface: **01**

Installation intelligence IXMO_solo depth compensation

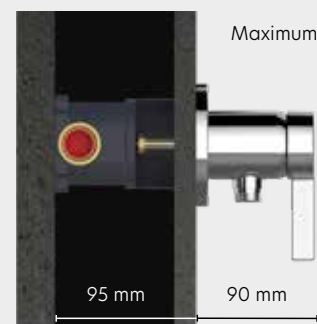
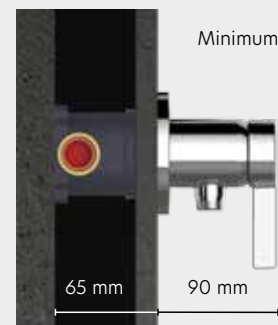
The single-lever mixer projects out from the wall exactly 90 mm and the thermostat 100 mm. The in-wall installation units are easy to install in thin walls or during subsequent modernisation work. The remarkably shallow minimum installation depth of 65 mm makes this possible.

And thanks to the intelligent depth-compensation feature, it can be flexibly adjusted by any amount from 65 to 95 mm.

Thermostat

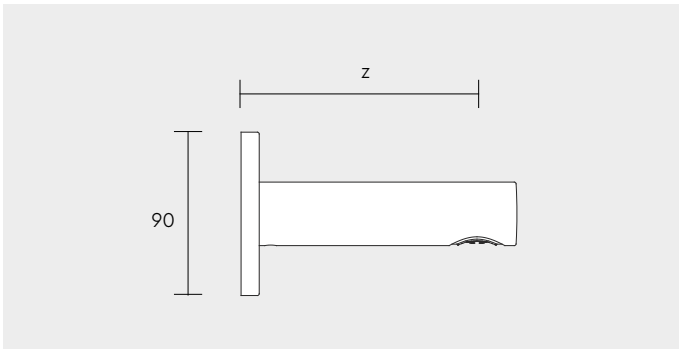


Single-lever mixer



Technology

Bath tub and shower accessories



Bath filler

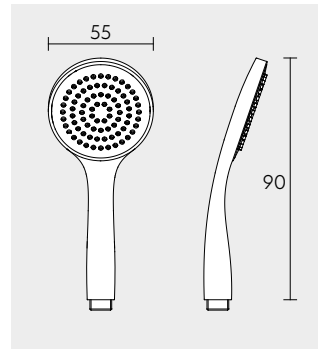
- Shape of decor disc: round/square
- Connection type: G 1/2 wall union
- M 24x1 aerator
- Flow rate: 30 l/min
- Suitable for flow heaters
- Sound-tested
- Optional rough part: **595 47 00 01 70**

Depth z: 130/180 mm

130 mm round decor disc: **595 45 XX 00 01** 130 mm square decor disc: **595 45 XX 00 02**

180 mm round decor disc: **595 45 XX 01 01** 180 mm square decor disc: **595 45 XX 01 02**

Surfaces: **01, 03, 05, 13, 21, 25, 29, 35, 37**

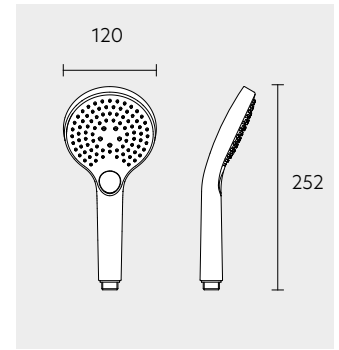


Hand shower

- Connection type: G1/2
- With normal jet
- With anti-calcification system
- Flow rate: 11 l/min
- Suitable for flow heaters

595 80 01 01 00

Surface: **01**

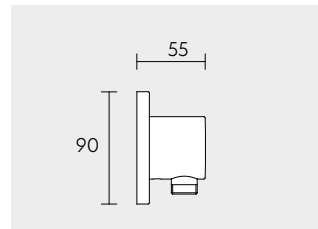


Hand shower

- Connection type: G 1/2
- With 3 kinds of jet: Normal, soft, massage jet
- Flow rate: 12 l/min
- Suitable for flow heaters

595 80 XX 03 00

Surfaces: **01, 03, 05, 13, 17, 21, 25, 29, 35, 37**

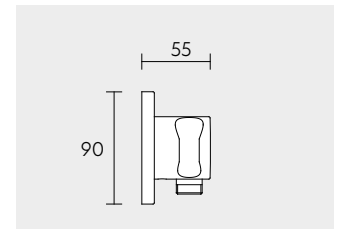


Wall outlet for shower hose

- Shape of decor disc: round / square
- Connection type: G 1/2 wall union
- G 1/2 wall outlet for shower hose
- Intrinsically safe against back-flow as per DIN EN 1717
- Suitable for flow heaters
- Sound-tested
- Optional rough part: **595 47 00 01 70**

Decor disc
Round: **595 47 XX 00 01**
Square: **595 47 XX 00 02**

Surfaces: **01, 03, 05, 13, 17, 21, 25, 29, 35, 37**



Wall outlet for shower hose with hand shower bracket

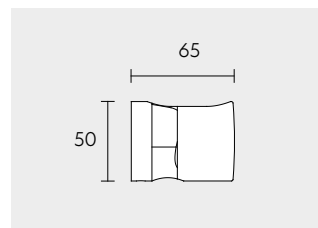
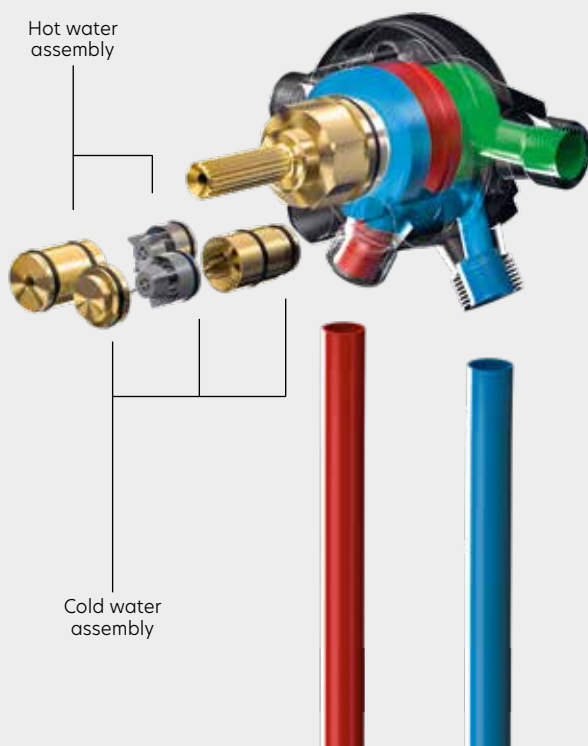
- Shape of decor disc: round / square
- Connection type: G 1/2 wall union
- G 1/2 wall outlet for shower hose
- Hand shower bracket for hoses with conical nuts
- Intrinsically safe against back-flow as per DIN EN 1717
- Suitable for flow heaters
- Sound-tested
- Optional rough part: **595 47 00 01 70**

Decor disc
Round: **595 92 XX 00 01**
Square: **595 92 XX 00 02**

Surfaces: **01, 21, 25, 29, 35, 37**

Without adapter Interchanged waterways

In cases where the water pipes are interchanged in the bathroom, no additional adapter needs to be acquired. This is because IXMO thermostats have an integrated solution, which allows the assemblies to be simply swapped in the rough part.

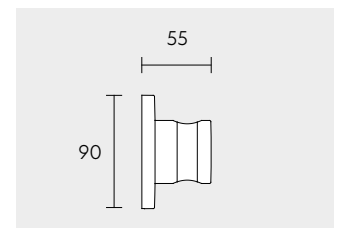


Hand shower bracket

- Hand shower bracket for hoses with conical nuts
- Two positions (90° vertical / 60° to front)

595 91 XX 00 00

Surfaces: **01, 37**

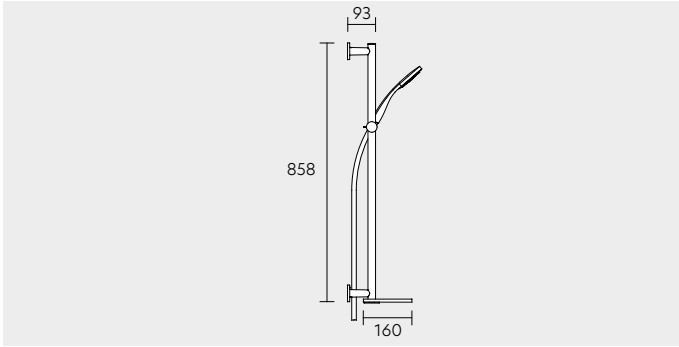


Hand shower bracket

- Shape of decor disc: round / square
- Hand shower bracket for hoses with conical nuts
- Usable optionally on left or right

Rosette rund: **595 91 XX 00 01**
Rosette eckig: **595 91 XX 00 02**

Surfaces: **01, 03, 05, 13, 21, 25, 29, 35, 37**



Shower set with shelf

- Hand shower sliding rail **595 85 01 09 XX**:
- Shape of decor disc: round / square
 - Sliding bracket for shower head for hoses with conical nuts
 - Usable optionally on left or right
 - Adjustable angle of inclination
 - With tile compensation plate (5 mm)
 - Swivelling shelf

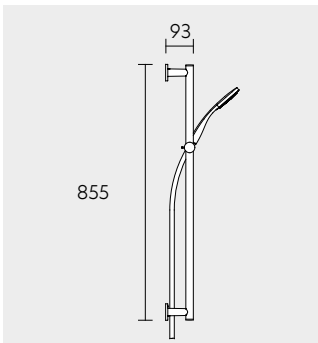
- Hand shower **595 80 01 01 00**:
- With normal jet
 - With anti-calcification system
 - Flow rate: 11 l/min
 - Suitable for flow heaters

- Hand shower **595 80 01 01 00**:
- With normal jet
 - With anti-calcification system
 - Flow rate: 11 l/min
 - Suitable for flow heaters

Round decor disc: **595 87 01 09 01** white shelf
595 87 01 09 11 dark grey shelf

Square decor disc: **595 87 01 09 02** white shelf
595 87 01 09 12 dark grey shelf

Surfaces: **01**



Shower set

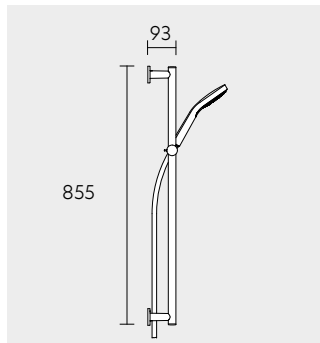
- Hand shower sliding rail: **595 85 01 09 0X**:
- Shape of decor disc: round / square
 - Sliding bracket for shower head for hoses with conical nuts
 - Usable optionally on left or right
 - Adjustable angle of inclination
 - With tile compensation plate (5 mm)

- Hand shower **595 80 01 01 00**:
- With normal jet
 - With anti-calcification system
 - Flow rate: 11 l/min
 - Suitable for flow heaters

- Shower hose **549 95 01 16 00**:
- Length: 1600 mm
 - Conical nuts on both sides (G1/2)
 - Anti-twist safeguard on shower end

Decor disc
 Round: **595 87 01 09 21**
 Square: **595 87 01 09 22**

Surface: **01**



Shower set

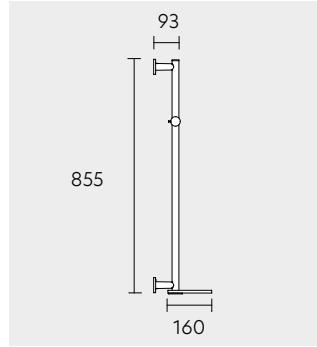
- Hand shower sliding rail **595 85 XX 08 0X**:
- Shape of decor disc: round / square
 - Sliding bracket for shower head for hoses with conical nuts
 - Usable optionally on left or right
 - Adjustable angle of inclination
 - With tile compensation plate (5 mm)

- Hand shower **595 80 XX 03 00**:
- With 3 kinds of jet: Normal, soft, massage jet
 - Flow rate: 12 l/min
 - Suitable for flow heaters

- Shower hose **549 95 xx 16 00**:
- Length: 1600 mm
 - Conical nuts on both sides (G1/2)
 - Anti-twist safeguard on shower end

Decor disc
 Round: **595 87 01 08 01**
 Square: **595 87 01 08 02**

Surfaces: **01, 21, 25, 29, 35, 37**



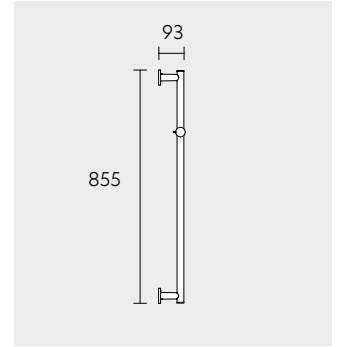
Hand shower sliding rail with shelf

- Shape of decor disc: round / square
- Sliding bracket for shower head for hoses with conical nuts
- Usable optionally on left or right
- Adjustable angle of inclination
- With tile compensation plate (5 mm)
- Swivelling shelf

Round decor disc:
595 85 01 09 11 dark grey shelf
595 85 01 09 21 white shelf

Square decor disc:
595 85 01 09 12 dark grey shelf
595 85 01 09 22 white shelf

Surfaces: **01**



Hand shower sliding rail

- Shape of decor disc: round / square
- Sliding bracket for shower head for hoses with conical nuts
- Usable optionally on left or right
- Adjustable angle of inclination
- With tile compensation plate (5 mm)

Decor disc
 Round: **595 85 XX 09 01**
 Square: **595 85 01 09 02**

Surfaces: **01, 17, 21, 25, 29, 35, 37**



About KEUCO

KEUCO GmbH & Co. KG is an internationally active, full provider of premium bathroom furnishings. KEUCO offers a large assortment of fittings, accessories, mirror cabinets, lights and mirrors, washbasins and bathroom furniture "made in Germany".

At KEUCO, design and function play a key role. Perfectly manufactured products combine aesthetic form with sensible functionality. A standard that is systematically applied, from the idea right to implementation.

Collaboration with designers is a long tradition at KEUCO. The company has been family-operated since its founding in 1953. Its headquarters are located in the Westphalian city of Hemer.

[keuco.com](http://www.keuco.com)



The extraordinary surface characteristics and extremely fine colour nuances of our products can only be reproduced to a certain degree in print. Only the original KEUCO products can provide an optimal impression.

They can be seen in the showrooms of sanitary trade dealers. Reproduction and copying, even if only excerpts, are only permitted by express permission of the manufacturer, and with the inclusion of source information. KEUCO GmbH & Co. KG, PO Box 1365, D-58653 Hemer

We expressly reserve the right to make technical changes for the purpose of improvement, as well as colour and design changes that are deemed necessary. Print errors and omissions excepted.

Conception, design and lithography: KEUCO GmbH & Co. KG.

Contact

GERMANY	KEUCO GmbH & Co. KG Hemer, Germany Tel. +49 2372 904-0 E-Mail: info@keuco.de www.keuco.com
ASIA PACIFIC, MIDDLE EAST	KEUCO Asia Pacific, Middle East Martin Hoffmann Phone +65 8322 76 96 E-Mail: martin.hoffmann@keuco.com www.keuco.com
BELGIUM	Alain Van de Poel Tél. +32 475 27 53 84 E-Mail: info@cocoonpoel.be www.keuco.com
FRANCE	KEUCO S.a.r.l. France Didier Saarbach Tél. +33 (0) 3 88 700 200 E-Mail: bureau@keuco.fr www.keuco.com
GREAT BRITAIN	KEUCO UK James Sketch Phone +44 (0) 1442 865 220 E-Mail: info@keuco.co.uk www.keuco.com
ITALY	ALMA SAS di Renato Violato Tel. +39 (0) 426 53812 E-Mail: alma@al-ma.191.it www.keuco.com
HOLLAND	North: Tim Suik Tel. +49 172 53 74097 South: Ton Schoenmakers Tel. +31 653 14 4178 E-Mail: info@keuco.nl www.keuco.com
NORTH AMERICA	North America Oliver Bleich Phone +1 470 238 6553 E-Mail: oliver@vellallc.com www.keuco.com
POLAND	Marek Burnóg Tel. +48 606 206 767 E-Mail: keuco@mb-linea.pl www.keuco.com/pl
SWITZERLAND	KEUCO Suisse Michael Brumann Tél. +41 62 888 00 20 E-Mail: info@keuco.ch www.keuco.com
SLOVAKIA	Stanislav Mensik Tel. +421 903 730 264 E-Mail: mensik@mensik.sk www.keuco.com
CZECH REPUBLIC	Martin Novotný Tel. +420 771 185 666 E-Mail: keucoczech@gmail.com www.keuco.com
SPAIN	KEUCO GmbH & Co. KG Hemer, Germany Tel. +49 2372 904-0 E-Mail: info@keuco.de www.keuco.com
RUSSIA	KEUCO Russia Mikhail Komendantov Tel. +7 495 953 81 11 E-Mail: mikhail.komendantov@keuco.com www.keuco.com



KEUCO

KEUCO GmbH & Co. KG
Postfach 1365
58653 Hemer

Telefon +49 2372 904-0
Telefax +49 2372 904-236

info@keuco.de
keuco.com