

PRESTO SLIM



Discover our SLIM range
timeless design for your projects

PRESTO®

PRESTO SLIM

High-performance, refined,
yet discreet

The PRESTO Slim range combines an electronic basin tap with a soap dispenser, both touchless, delivering an elegant yet high-performing washroom solution. The defining feature of the range, the sleek 26 mm diameter design creates a clean, contemporary look.

Designed for commercial washrooms in offices, shopping centres, airports and similar environments, the PRESTO Slim range blends refined aesthetics with smart water management.

Basin tap

- Flawless touchless detection
- Slim stainless steel body
- Low flow rate of 2 l/min (PRESTOGREEN*)
- Sensor positioned at the spout, with key components housed remotely (solenoid valve and power supply)
- Reliable ToF** detection even in demanding environments (stainless steel or reflective ceramic sinks)
- Automatic flush pre-set at 30 seconds

Soap dispenser

- Flawless touchless detection
- Slim stainless steel body
- Dispenses 0.5 ml per use
- Reliable ToF** detection even in demanding environments (stainless steel or reflective ceramic sinks)

* PRESTOGREEN: our selection of low water consumption products

**ToF: Time of Flight





4 FINISHES: MATT BLACK, BRUSHED STAINLESS STEEL, CHROME AND BRUSHED GOLD

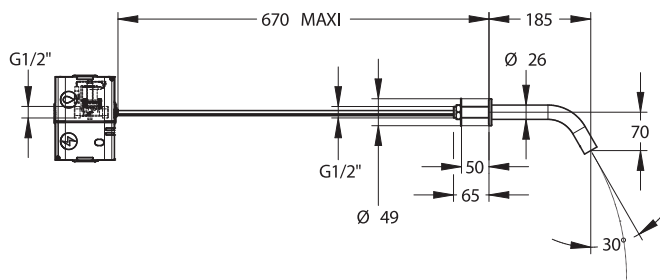
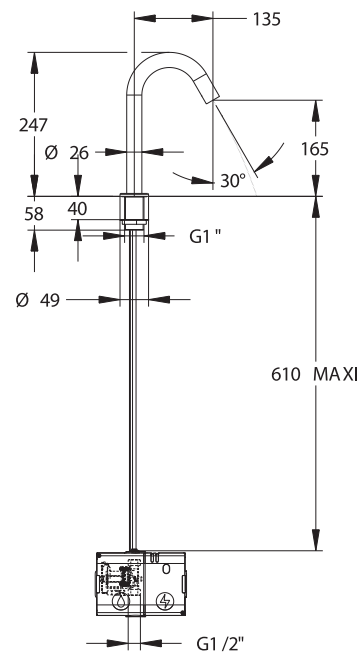
- User-friendly for everyone, including those with reduced mobility
- Saves water and soap through controlled dispensing
- Compatible with all washbasin types
- Enhanced hygiene by limiting water stagnation and bacterial growth
- Reliable operation across various environments



Ref.	Power supply	Flow rate	Conn.	Finish	Auto flush
SLIM TAP - DECK MOUNTED					
52600	LR6 (AA) 1.5V batteries (x6)	2 l/min	G 1/2"	Chrome	✓
52602	230 V AC mains with transformer	2 l/min	G 1/2"	Chrome	✓
52600IB	LR6 (AA) 1.5V batteries (x6)	2 l/min	G 1/2"	Brushed stainless steel	✓
52602IB	230 V AC mains with transformer	2 l/min	G 1/2"	Brushed stainless steel	✓
52600NM	LR6 (AA) 1.5V batteries (x6)	2 l/min	G 1/2"	Matt black	✓
52602NM	230 V AC mains with transformer	2 l/min	G 1/2"	Matt black	✓
52600OB	LR6 (AA) 1.5V batteries (x6)	2 l/min	G 1/2"	Brushed gold	✓
52602OB	230 V AC mains with transformer	2 l/min	G 1/2"	Brushed gold	✓

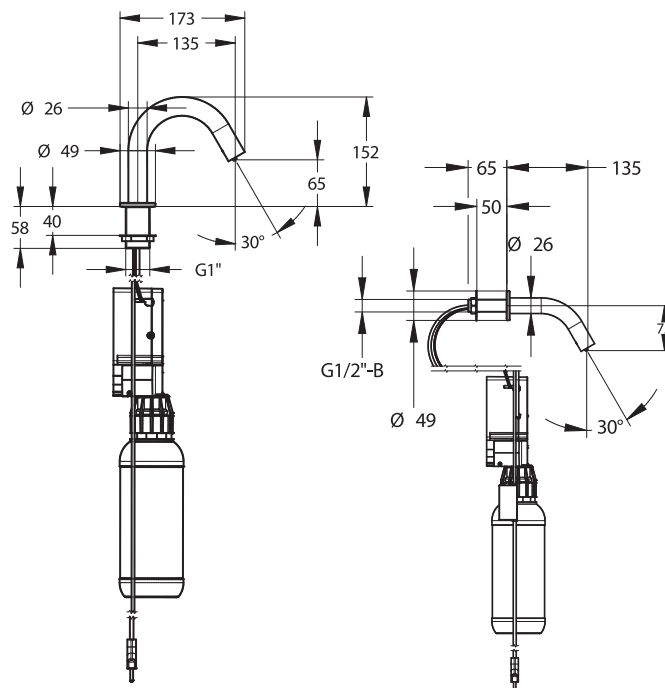
Ref.	Power supply	Flow rate	Conn.	Finish	Auto flush
SLIM TAP - WALL MOUNTED					
52604	LR6 (AA) 1.5V batteries (x6)	2 l/min	G 1/2"	Chrome	✓
52606	230 V AC mains with transformer	2 l/min	G 1/2"	Chrome	✓
52604IB	LR6 (AA) 1.5V batteries (x6)	2 l/min	G 1/2"	Brushed stainless steel	✓
52606IB	230 V AC mains with transformer	2 l/min	G 1/2"	Brushed stainless steel	✓
52604NM	LR6 (AA) 1.5V batteries (x6)	2 l/min	G 1/2"	Matt black	✓
52606NM	230 V AC mains with transformer	2 l/min	G 1/2"	Matt black	✓
52604OB	LR6 (AA) 1.5V batteries (x6)	2 l/min	G 1/2"	Brushed gold	✓
52606OB	230 V AC mains with transformer	2 l/min	G 1/2"	Brushed gold	✓

SLIM deck mounted and wall mounted taps are backed by a 10-year warranty



Ref.	Power supply	Finish
SLIM SOAP DISPENSER - WALL MOUNTED		
52702	230V/6V mains	Chrome
52702IB	230V/6V mains	Brushed stainless steel
52702NM	230V/6V mains	Matt black
52702OB	230V/6V mains	Brushed gold
SLIM SOAP DISPENSER - DECK MOUNTED		
52700	230V/6V mains	Chrome
52700IB	230V/6V mains	Brushed stainless steel
52700NM	230V/6V mains	Matt black
52700OB	230V/6V mains	Brushed gold

SLIM soap dispensers are backed by a 3-year warranty



PRESTO®

LES ROBINETS PRESTO S.A.
7, RUE RACINE
92542 MONTRouGE CEDEX – FRANCE
Tél. : +33 (0)1 46 12 34 56
Fax : +33 (0)1 47 35 69 82
Email : adv.export@presto.fr

PRESTO MIDDLE EAST / DMCC
GABC 10TH FLOOR, SWISS TOWER, CLUSTER Y
JLT PO BOX 643718 DUBAI
UNITED ARAB EMIRATES
Tel. : +971 (0) 52 79 32 409
Email : d.heyberger@presto.fr

www.presto-group.com | www.presto-me.com | www.prestodatashare.com | www.prestobim.com

@presto_group
@prestomiddleeast_official
Les Robinets PRESTO
PRESTO Middle East
presto_robinets
Presto Robinets
@GroupePresto

