

# HEALTHCARE

## Catalogue

**TAPWARE | ACCESSORIES | ACCESSIBILITY | SPARE PARTS**

For new build and refurbishment markets



**FRENCH TAPWARE ELECTRONIC | THERMOSTATIC | ERGONOMIC**

**PRESTO®**  
loves water



LA MAISON PRESTO®	2	EXPERT TECHNOLOGY	20
PRESTODATASHARE	5	THE DEDICATED MODULAR RANGE MODUL'MIX	24
THE NEEDS OF HEALTHCARE FACILITIES	6	THE ADVANTAGES OF THERMOSTATIC MIXER TAPS	26
THE RISKS IN HEALTHCARE FACILITIES	10		
STANDARDS AND REGULATIONS	14		
PRODUCT CONFORMITY	18		

## TAPWARE FOR WASHBASINS, HANDBASINS, SINKS AND TROUGHS 29

<b>SELECTION GUIDE</b>	<b>30</b>
<b>CERAMIC TECHNOLOGY</b>	<b>34</b>
WASHBASIN MIXER TAP	34
SINK MIXER TAP	43
<b>THERMOSTATIC TECHNOLOGY</b>	<b>49</b>
WASHBASIN MIXER TAP	49
SINK MIXER TAP	49
<b>NEW</b> MODUL'MIX SAFE+ THERMOSTATIC MIXER TAP	50
MATERNITY WARD MIXER TAP	55
<b>SENSOR TECHNOLOGY</b>	<b>58</b>
MIXER TAP	58
ELECTRONIC BOX	60
SPOUT	62
<b>OTHER</b>	<b>64</b>
ROBINET MONOFLUIDE	64
HOSPITAL SPOUT	65
REMOTE CONTROL	67
<b>LABORATORY TAPWARE</b>	
SELECTION FIRST LABO	68

## SHOWER, BATH-SHOWER TAPWARE 71

<b>SELECTION GUIDE</b>	<b>74</b>
<b>CERAMIC TECHNOLOGY</b>	<b>78</b>
SHOWER MIXER TAP	78
BATH-SHOWER MIXER TAP	81
SHOWER PANEL	94
<b>THERMOSTATIC TECHNOLOGY</b>	<b>82</b>
SHOWER MIXER TAP	82
BATH-SHOWER MIXER TAP	91
SHOWER PANEL	93

## ACCESSORIES, INSTALLATION & MAINTENANCE 97

<b>SELECTION GUIDE</b>	<b>98</b>
<b>ACCESSORIES</b>	<b>101</b>
COLOURED STAR FLOW-STRAIGHTENERS	101
DISPOSABLE SHOWER KITS	101
SHOWER KITS	102
SHOWER ACCESSORIES	105
<b>MAINTENANCE</b>	<b>106</b>
SPARE PARTS	106
<b>INSTALLATION</b>	<b>116</b>
CIRCULATION PLATE	118

## ACCESSIBILITY FOR PEOPLE WITH REDUCED MOBILITY 121

<b>SELECTION GUIDE</b>	<b>122</b>
<b>REGULATIONS</b>	<b>124</b>
<b>GRAB RAILS AND SUPPORT RAILS</b>	<b>126</b>
SUPPORT RAIL FOR ALL APPLICATIONS	128
WC/TOILET RAIL	129
SHOWER RAIL	132
<b>SHOWER SEAT</b>	<b>138</b>
BACKREST	139
SHOWER SEAT AND BENCH	139
<b>ECONOMY RANGE</b>	<b>140</b>
SHOWER SEAT	140
SHOWER AND BATH STOOL	140
GRAB RAIL	141
<b>ACCESSORIES AND CERAMICS</b>	
MIRROR, ERGONOMIC WASHBAIN	142
TOILET BOWL, SEAT AND MOUNTING FRAME	143
<b>SINK SPRAYER</b>	<b>144</b>

## INDEX 146

# The PRESTO company

## 1927

Brothers André and Lucien Patient invent timed-flow tapware to prevent constantly running water in public sanitary facilities

## 1 independent, family-run French group

## 2 brands

PRESTO® for public places / SANIFIRST® for healthcare

## 6 product categories

washbasin, shower, professional kitchen, flush, urinal, laboratory

## 2 markets

construction/renovation and spare parts

## 220 employees

## 69 patents filed

## 1 head office in Montrouge

## 2 production sites

one in France and one in Portugal

## 6 commercial subsidiaries internationally

PRESTO Italia, PRESTO Armaturen (Germany), PRESTO Ibérica (Spain), PRESTO Middle East (Dubai), PRESTO Belgium and PRESTO Switzerland

## 80 countries all over the world

# OUR COMMITMENTS

---

Our products and solutions are designed and developed with our values in mind: quality, design, technology, responsibility..

**10 year guarantee on products\***

---

**Quality certifications:  
ACS / NF**

---

**ISO 9001 certification since 1995**

---

**Unique technology on the market**

---

**Active and integrated R&D**

---

**Made in France and Portugal**

---

**Supporting professionals  
and projects over the long term**

---

**A gateway to obtaining eco-labels  
and credentials of high  
environmental quality**

---

\*dependent on the classification of SANIFIRST® products (3/5/10 years)

## PRESTO DATASHARE

To download all the product numbers and technical documents:

[www.prestodatashare.com](http://www.prestodatashare.com)

## PRESTO.FR/EN

To download catalogues, leaflets and product sheets:

<https://presto.fr/en/documentation/>



## ORDERS

[adv.export@presto.fr](mailto:adv.export@presto.fr)

- To enquire **about product availability**, please contact our customer service team.
- To **place an order**, please send your request via email or EDI.
- To **track your ongoing orders** and for information on delivery times, please telephone our customer service team.



## PRICE REQUESTS

[adv.export@presto.fr](mailto:adv.export@presto.fr)

- To establish a **cost estimate** for a project where the total retail price is greater than €3,000 excluding tax, please send your price requests by email, stating:
  - Your company, your name and your contact details (telephone and email address)
  - The name and location of the building site
  - The name of the installer/fitter
  - The state of progress of the call for tender/contract execution



## TECHNICAL ADVICE & AFTER-SALES SERVICE

[assistancetechnique@presto-group.com](mailto:assistancetechnique@presto-group.com)

- If you have any questions related to the installation or maintenance of our products, please contact our technical department by phone or email. **You can also directly access our technical documentation** (technical data sheets, installation instructions, maintenance guides, exploded views and spare parts lists) on [www.prestodatashare.com](http://www.prestodatashare.com)



## COMMERCIAL SPECIFICATION

[adv.export@presto.fr](mailto:adv.export@presto.fr)

- For assistance in prescribing suitable fittings as part of the drafting of a project technical tender, please send your request by email indicating the technical needs related to the project



## COMPLAINTS

[adv.export@presto.fr](mailto:adv.export@presto.fr)

- In order to enable us to respond quickly and efficiently to queries relating to disputes and product returns, **please direct your requests to our customer service team via email.**



## YOUR SALES REPRESENTATIVE

- **Our sales and technical teams are at your disposal to:**
  - organise technical training for your staff
  - optimise the rotation of PRESTO products on your shelves
  - improve the product sales plan by assisting you with your merchandising process

## CUSTOMER SERVICE

Tel.: +33 (0)1 46 12 34 56  
8 a.m.-12 noon / 1.15 p.m.-4.30 p.m.

## DOCUMENTATION

**PRESTO AND SANIFIRST CATALOGUES**  
[www.calameo.com/presto#subscriptions](http://www.calameo.com/presto#subscriptions)

**TECHNICAL DOCUMENTS, MAINTENANCE GUIDES**  
[www.prestodatashare.com](http://www.prestodatashare.com)

# NEED INFORMATION ON A PRODUCT?



[www.prestodatashare.com](http://www.prestodatashare.com)

THE TECHNICAL DOWNLOAD PLATFORM



**1** TYPE IN THE PRODUCT NUMBER OR SEARCH FOR A RANGE

Download till 20 reference numbers at the same time

57200  
27400  
31003  
55432

Or search for a range

Submit

**2** DOWNLOAD THE TECHNICAL DOCUMENTATION FOR YOUR PRODUCTS

TECHNICAL DATA SHEETS (PDF)  
PHOTOS (JPG, TIFF)  
TECHNICAL DRAWINGS (PDF, PNG)  
3D FILES (DXF, DWG)  
BIM FILES (RFA, IFC)  
SPECIFICATIONS (RTF)  
CERTIFICATES (JPG, PDF)  
GUIDES AND INSTRUCTIONS (PDF)  
APPLICATIONS (EXE, APK, IPA)

	Technical sheet	Photo 72dpi	Photo 300dpi	Drawing PDF	Drawing PNG	Drawing DWG	Drawing DXF	Tender	Notice Technical Support	Product review in catalogue
	Technical sheet	Photo 72dpi	Photo 300dpi	Drawing PDF	Drawing PNG	Drawing DWG	Drawing DXF			Product review in catalogue
	Technical sheet	Photo 72dpi	Photo 300dpi	Drawing PDF	Drawing PNG	Drawing DWG	Drawing DXF			Product review in catalogue
	Technical sheet	Photo 72dpi	Photo 300dpi	Drawing PDF	Drawing PNG	Drawing DWG	Drawing DXF			Product review in catalogue
	Download Technical Sheets	Download Photos 72dpi	Download Photos 300dpi	Download Drawings PDF	Download Drawings PNG	Download Drawings DWG	Download Drawings DXF	Download BIM RFA Files	Download BIM IFC Files	Download Tenders

## INVENTING NEW USES FOR SHARED TAPWARE

Since the beginning of its history, Presto® has believed that the industry has a primary responsibility to the planet.

With time-delay technology that sustainably limits water consumption and unique technological know-how in terms of hygiene, robustness and comfort, PRESTO allows places that need to consume a lot of water to save it and make it safe to use.

**These places are all those whose sanitary facilities are collective/public toilets.**

This is how PRESTO takes all its responsibilities as an industrialist by manufacturing beautiful tapware that take care of both resources and its users.

**Presto loves water and that's for life.**

# THE NEEDS OF HEALTHCARE FACILITIES

## HOSPITALS AND LABORATORIES

In the world of healthcare, the standards placed on health, regulatory and economic aspects couldn't be higher. Hospitals, clinics, nursing and retirement homes receive a steady stream of vulnerable individuals to whom they are committed to providing quality care, all while needing to meet increasing profitability requirements.

Hospital tapware makes this job easier by helping healthcare professionals to respond more effectively to the problems they face.

### THE CONSTRAINTS PLACED ON HOSPITAL TAPWARE:

- /// Compliance with regulations
- /// Maintaining the hygiene of patients and staff
- /// Combating bacterial growth and the risk of scalding
- /// Accessibility for persons with reduced mobility
- /// Control of water and power consumption and costs



### THE ADVANTAGES OF THE SANIFIRST® TAPWARE:

- /// Secure networks
- /// Anti-scalding system
- /// Accessible ergonomics for all
- /// Easy application of maintenance and servicing protocols
- /// Robust fittings for maximum durability
- /// Water-saving and energy-saving technology



# With its SANIFIRST® BRAND, PRESTO® is the only French manufacturer that can fully equip hospitals and laboratories.

Showers, toilets, communal areas,  
accommodation rooms, treatment rooms,  
technical facilities, kitchens.

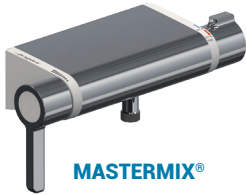
## Thousands of healthcare facilities and laboratories already using our equipment

**In France:** Teaching hospital in Bordeaux,  
Grasse general hospital, teaching hospital in La  
Rochelle, Louis Pradel general hospital (Lyon),  
Niort rehabilitation centre, Saint-Lô maternity unit,  
Gustave Roussy institute of oncology (Villejuif),  
nursing homes in Beaujeu, Mexy, Houdelmont,  
Feret, Chartres-de-Bretagne and La Bartavelle,  
the Atomic Energy Commission (Ardennes,  
Ballancourt, Cadarache, Fontenay-aux-Roses,  
Gif-sur-Yvette, la Hague, Marcoule, Monts, Papeete,  
Pierrelatte, Saclay, Valduc, Bruyère-le-Châtel), and  
many more.

**In the rest of the world:** CBT Social Houses  
retirement home (Langenfeld, Germany),  
detoxification centre (Tallinn, Estonia), Tin Shui  
Wai hospital (Hong Kong, China), Dieu de France  
hospital (Beirut, Lebanon), Magrabi hospital (Doha,  
Qatar), and many more.

## FOCUS ON PRODUCTS

*sanifirst.*



### MASTERMIX®

The range of thermostatic mixer  
taps with Legionella protection  
and anti-scalding systems



### MODUL'MIX®

The range of washbasin mixer taps  
with elbow control (multiple combinations  
are possible)



Also available in a  
version for nurseries and  
maternity units



## DID YOU KNOW?

**The definition of drinking water.** In order to be classed as drinkable, water must have a hot water content of 0%! But why? Because bacteria grows quickly in warm water. When they are turned off, most taps allow the hot water to mix with the cold, increasing the risk of contamination.

**The MasterMix technology** (patented and validated by the French Technical Building Agency CSTB) combines two specific cartridges in order to rule out any contact between the hot and cold water and does away with the check valve in order to eliminate the risk of stagnant water.



# THE NEEDS OF HEALTHCARE FACILITIES

## RETIREMENT AND CARE HOMES

Care homes and residential homes for the elderly have a real responsibility towards their residents. First and foremost, they must ensure the safety of residents, who have varying degrees of reliance on their carers, in a clean and hazard-free environment (for instance, without any risk of scalds or bacterial growth).

They must also guarantee that their spaces are accessible to all. Making these types of facilities accessible means using equipment that is designed both to promote the autonomy of the residents and to cut down on work for the care personnel (by way of ergonomics, easy-care designs or taps with contactless operation, for example).

### THE CONSTRAINTS ON TAPWARE IN NURSING AND RETIREMENT HOMES:

- /// Accessibility for people with reduced mobility
- /// Compliance with specific hygiene standards applicable to nursing and retirement homes
- /// Protection against scald risks and bacterial growth
- /// Reduction of water and power consumption
- /// Control of installation costs

- /// Optimised maintenance and servicing
- /// Image challenges

### THE ADVANTAGES OF PRESTO® TAPWARE:

- /// Specially adapted ergonomics for all
- /// Anti-bacterial action and anti-Legionella action
- /// Anti-scalding system
- /// Water-saving and energy-saving technology
- /// Design and aesthetics: products that adapt to their environment
- /// Robust fittings for maximum durability
- /// Easy maintenance and servicing

# PRESTO® provides all types of sanitary installations for retirement and care homes.

Showers, toilets, communal areas, technical facilities, accommodation rooms, treatment rooms, kitchens.

## Thousands of nursing and retirement homes already using our equipment

**In France:** Nursing homes in Laragne, Levie (Corse), Homécourt, Vertus, Beaujeu, nursing home Saint-Sauveur N. D. du Bon Repos (Maxéville), nursing home A. Croizat (Vierzon), retirement homes in Barbezieux, Parthenay, Civray, Le Ponant Saint-Nazaire, Mexy, Houdelmont, Ferel, Chartres-de-Bretagne, La Bartavelle, Flamanville, Lure, Montvenoux, Nans-les-Pins, Thoisse, and many more.

**Throughout the world:** Dom Pomocy Społecznej Wietrzna (Wrocław, Poland), Björkbacken (Stockholm, Sweden) Kerrisdale Gardens Retirement Village (Beaconsfield, Australia), Onlus Il Melo (Gallarate, Italy), Howick Baptist Retirement Home (Auckland, New Zealand), St. Anna Retirement Home (Cologne, Germany), and many more.

## FOCUS ON PRODUCTS



### BARRE D'APPUI COUDÉE 135°

Barre d'appui pour maintien ou relevage



### SHOWER SEAT

Foldaway anti-bacterial seat without leg



### MHOPTIM® MIXER TAP

Compliant with NF Medical standard  
Very low water retention range



### MASTERMIX® SHOWER MIXER

The range of thermostatic mixer taps for showers with Legionella protection and anti-scalding systems



### STRAIGHT GRAB RAIL

Grab rail for support or lifting



## DID YOU KNOW?

**Keeps the tap cold.** The people who are most susceptible to burns are small children (aged 0 to 4 years), closely followed by the elderly. If an elderly person scalds themselves on tap water, they may become disoriented. Their reflexes then tell them to grab the first object they see: the tap. This is why "cold body" taps are particularly highly recommended for this group of users.

# THE RISKS IN HEALTHCARE FACILITIES



Healthcare facilities (hospitals, clinics, retirement homes, care homes, and so on) have to tackle a range of problems associated with their premises, equipment, and patient needs. These facilities must comply with a large number of regulations, mainly concerning the risk of scalds and bacterial development.

## — THE RISK OF SCALDS

### REPORT

#### The risk of scalds: facts and figures

The main victims are children and the elderly. According to data from Trousseau hospital, 200 children are treated for scalds every year. At the national level, scalding is responsible for 100 deaths a year.

These accidents are frequent, with 1,119 cases being recorded in 1997. Between 1999 and 2001, 3,739 cases were recorded, with 49% of these being caused by a hot liquid. 15% were caused by excessively hot domestic water.

#### Exposure to hot domestic water and risk of scalding

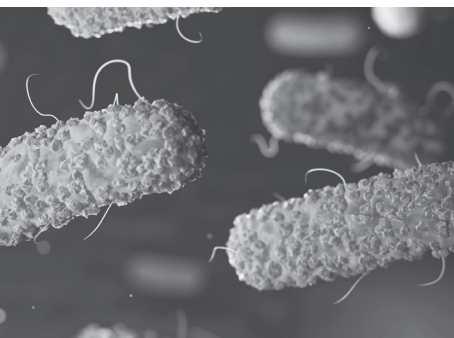
Water temperature	Adult in good health		Child aged under 5
	First-degree burn	Second-degree burn	Second-degree burn
50°C	4 min	5 min	2.5 min
55°C	20 s	30 s	10 s
60°C	3 s	5 s	1 s
70°C	-	1 s	-

### REGULATIONS

#### The order of 30 November 2005 stipulates that:

- The water temperature shall be above 50°C throughout the domestic hot water network (including loops).
- The volume of the final supply pipes to the tapping points shall be as small as possible, and in any case less than or equal to 3 litres.
- In toilet rooms, the maximum temperature of the domestic hot water should be set to 50°C at the tapping points.
- The order of 11 January 2007 stipulates that the cold water temperature shall be less than 25°C (quality reference).





## THE RISK OF BACTERIAL GROWTH

### REGULATIONS

Following the order of 30 November 2005, all establishments open to the public must comply with the provisions of the order of 1 February 2010, which stipulates monitoring of the bacteriological quality of the water in sanitary facilities that have points of use which are at risk. These are points that could contain the bacteria *Legionella pneumophilla* and where it is possible for an aerosol to be created (fine spray of micro-droplets of water in the air).

### Monitoring of installations

Monitoring points	Mandatory measures for each domestic hot water system
Output of domestic hot water production(s) (distribution).	Water temperature: Once per day (or continuously).
Bottom of the domestic hot water production and storage tank(s) if applicable.	Legionella analysis: Once per year. • in the last tank, if the tanks are installed in series; • in one of the tanks, if the tanks are installed in parallel.
At-risk draw points most representative of the system and draw points the furthest from the domestic hot water production point.	Legionella analysis: Once per year. Water temperature: Once per week (or continuously).
Representative draw points located in departments receiving patients identified by the nosocomial infection control committee (or any organisation having the same duties) as being particularly vulnerable to the risk of Legionella.	Legionella analysis: Once per year. Water temperature: Once per week (or continuously).
Water returning from the network (general return) if applicable.	Legionella analysis: Once per year. Water temperature: Once per day (or continuously) on each loop.

### Distribution of cold and hot water, general networks

Type of operations	Inspection and maintenance of the equipment for protection against water return.
Objectives	To verify the risk adequacy and the efficacy of the components (leak-tightness and function).
Minimum required qualifications	3
Frequency	> Half-yearly at the level Nb > As often as necessary at the levels Np and Ne
Principles	> To examine the elements that may influence its functioning, its ability to function, or its maintenance (general conditions of the installation and the immediate surroundings). > To verify the adequacy with regard to the risk for which it was originally determined. > To evaluate the effectiveness of its safety measures using specific tests. > To detect deficiencies and anomalies in operation and to define the repairs to be undertaken (...).

### RECOMMENDATIONS TO BE FOLLOWED

- The threshold is 1,000 CFU/l (colony-forming units) at all the risk points.
- Samples must be taken between 2 and 3 minutes after the water has been running.

## ACCORDING TO REGULATION DTU 60.11 OF AUGUST 2013

### General design regulations

The design of the hot water loops and antennas in an installation should be planned as follows:

- The number of loops must be compatible with the building use.
- The antenna length must not exceed 8 metres.
- One dedicated loop should be provided for each tapping point or, if necessary, for a small number of tapping points.
- In the case of modules, a general valve shall be installed on the shared return line.
- A control device must be installed on the general return collector.

### General dimensioning regulations

In order to limit the risk of obstruction due to limescale, a minimum diameter must be complied with. Depending on the material, the pipes must have a diameter of greater than or equal to the following measurements:

- for galvanised steel pipes: DN 15-16, 7/21.3
- for copper pipes: 14 × 1
- for PVC-C pipes: DN 16-12.4 / 16
- for PEX or PB pipes: DN 16-16 × 1.5
- for other materials: a minimum interior diameter of 12 mm.

In order to limit the risk of biofilm development and the accumulation of deposits, a minimum liquid speed of 0.20 m/s is required in the loop returns.

Furthermore, in the same returns, a maximum speed of 0.5 m/s is advised.

Equalising elements must be installed in order to control the flow rate in each loop. The calculated opening must be within the operating range specified by the manufacturer. In order to avoid adjustment errors and the risk of clogging, this opening must correspond to a fluid passage of at least 1 mm.

### Water temperature

The water temperature is a major influencing factor for the survival and reproduction of Legionella bacteria in water networks. In order to limit the presence of this bacteria and prevent the risk of scalds, the domestic hot water supply must comply with the following temperatures:

<b>Where water is stored</b>	If a water storage tank exists, the water temperature must always be less than 55°C at the outlet, and homogeneous throughout the entire stored volume.
<b>At the distribution network</b>	The water must be continuously held at a temperature of greater than 50°C at all points on the network (with the exception of terminal antennas with a length of less than 3 metres), including in the return of columns and loops.
<b>At the tapping point</b>	The water temperature must be reduced by way of mixing (mechanical or thermostatic) as close as possible to the tapping point so that it is less than 40/45°C.

**It is important to ensure that domestic hot water installations are correctly dimensioned in order to ensure the required minimum circulation speeds.**



According to the technical guidelines for **“Water in healthcare facilities”** (French Ministry for Solidarity, Health and Family), in order to limit the risk of bacterial growth, in particular Legionella, in facilities for the production and distribution of domestic hot water, it is necessary to:

- Avoid stagnant water.
- Combat limescale and corrosion by way of design and maintenance measures that are appropriate for the water quality and the installation characteristics.
- Manage the temperature of the domestic hot water in the installations from the point of production and throughout the distribution circuit.
- Avoid the return of polluted water.
- Combat the growth of biofilms.

## LEGIONELLA/ LEGIONNAIRES' DISEASE

**Legionella is a bacteria naturally present in water. It grows in hot water circuits when the temperature conditions are favourable (between approximately 25 and 45°C).** People are exposed to the bacteria when breathing in fine droplets of contaminated water, while showering for example. The infected person may then develop Legionnaires' disease, a pulmonary infection which can be fatal, and which leads to death in approximately 10% of cases.

Domestic hot water networks are the main cause of bacterial contamination, with a highly seasonal pattern of occurrence (from May to October). Care establishments are affected by almost a quarter of cases.

Legionnaires' disease can affect anyone, but the risks increase with age, or if the person has a chronic respiratory disorder, or is a smoker, etc. **Legionella develops in domestic hot water systems where the temperature is less than or equal to 55°C. Below 19/20°C the bacteria is present in small concentrations.**

### **i DESTROYING THE BACTERIA**

- > **50°C:** its growth is stopped, but the bacteria survives
- > **55°C:** destruction takes several hours
- > **60°C:** destruction takes 32 min
- > **66°C:** destruction takes 2 min
- > **70°C:** destruction takes 1 min

Source: DRASS/DASS

## PSEUDOMONAS AERUGINOSA

According to the south-eastern network of the Coordination Committee for Combating Nosocomial Infections (CCLIN), *Pseudomonas aeruginosa* is a pyocyanic bacillus with a length of 0.5 microns, which lives naturally in water (freshwater and seawater) and in humid environments (soil, plant surfaces, etc.).

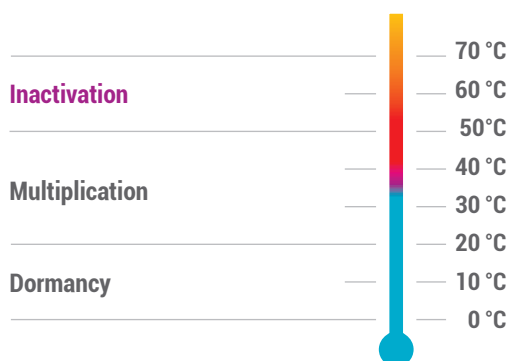
**It grows at temperatures of between 4 and 45 °C.** Tapware can become contaminated through retrocontamination:

- hands,
- splashed water,
- siphon effects, etc.

It colonises the network when it finds conditions favourable to growth, such as the correct temperature or oxygen levels.

*Pseudomonas aeruginosa* develops when pipes are heated by a mixture of hot and cold water, when hot water heats up cold water, and when water passes past a heat source.

**Unlike Legionella, no regulations currently exist for the control of *Pseudomonas aeruginosa*. However, it is advised to monitor the bacteriological quality of the water.**



## NOSOCOMIAL INFECTIONS

*“Nosocomial infections (NI) are infections contracted in a healthcare facility during or after a patient’s care that were neither present nor in incubation at the start of the period of care.”*

Source: [www.sante.gouv.fr](http://www.sante.gouv.fr)

**According to studies, 70 to 90% of nosocomial infections are contracted via the hands. Hand hygiene is therefore very important in healthcare facilities;** washing hands is an essential action in the prevention of nosocomial infections.

Source: [www.medqual.fr](http://www.medqual.fr)

# STANDARDS AND REGULATIONS

## — THE NF MARK

If a product bears the NF mark, this means that it complies with the applicable standards, and possibly with additional technical specifications required by the market. The characteristics specified by AFNOR CERTIFICATION and monitored by the CSTB (the French Scientific and Technical Centre for Buildings) are set out in the specifications, also called “certification rules”, and are developed in consultation with manufacturers, distributors, consumer associations, laboratories and public authorities. The CSTB conducts tests on products, as well as auditing companies as part of this initiative.

### WHAT PRODUCTS BEAR THE NF MARK?

The NF mark is given to the following products: single and mixer taps, mechanical mixer taps, and thermostatic mixer taps. It specifies the classifications for some of these products.

### WHAT DOES THE NF MARK GUARANTEE?

The NF mark for sanitary tapware certifies that the products comply with the certification rules approved by AFNOR CERTIFICATION. In particular, this guarantees the following:

#### 1. NF EN 817: for mechanical mixer taps

- coating quality
- interchangeability of the taps
- leak-tightness before and after endurance testing
- intercommunication between cold and hot water
- flow rates adapted to the usage conditions
- usage comfort in terms of sensitivity, accuracy and temperature consistency
- mechanical performance
- resistance to wear of moving parts
- acoustic performance

**E.C.A.U. classification for mechanical mixer taps:** There are 4 basic characteristics, and the letters E, A and U have the same meanings as for mixer taps. The characteristic “C” (for comfort) corresponds to the parameters that are specific to these products (dimensions, manoeuvring effort and water-saving system).

FLOW E Q l/min measured under a pressure of 3 bar	ACOUSTICS A Lap dB (A)	COMFORT C Type	WEAR U Number of cycles
<b>E0</b> = 9.0 l/min < Q < 12.0 l/min			
<b>E1</b> = 12 l/min < Q < 16 l/min	<b>A1</b> = 20 dB (A) < Lap ≤ 30 dB (A)	<b>C1</b> manoeuvring effort dimensions	<b>U1 Movable plugging equipment:</b> 70 000 cycles <b>Swivel spout:</b> 80 000 cycles <b>Bath-shower reverser:</b> 30 000 cycles
<b>E2</b> = 16 l/min < Q < 20 l/min	<b>A2</b> = 15 dB (A) < Lap ≤ 20 dB (A)	<b>C2: C1</b> , water-saving system	<b>U2 Movable plugging equipment:</b> 122 500 cycles <b>Swivel spout:</b> 140 000 cycles <b>Bath-shower reverser:</b> 50 000 cycles
<b>E3</b> = 20 l/min < Q < 25 l/min	<b>A3</b> = Lap ≤ 15 dB (A)	<b>C3: C1, C2</b> , energy savings: opening of the mixer tap in the central cold water position (hard point)	<b>U3 Movable plugging equipment:</b> 175,000 cycles <b>Swivel spout:</b> 200,000 cycles <b>Bath-shower reverser:</b> 80,000 cycles
<b>E4</b> = Q < 25 l/min	FOR BATH TAPWARE, THE MINIMUM CLASS IS <b>E3</b>		



## 2. NF EN 1111: for thermostatic mixer taps

■ coating quality ■ interchangeability of the taps ■ leak-tightness before and after endurance testing ■ intercommunication between cold and hot water ■ flow rates adapted to the usage conditions ■ adjustment behaviour ■ adjustment accuracy ■ adjustment sensitivity ■ the temperature consistency of the mixed water as a function of: flow rate variation, pressure variation and hot water temperature variation ■ accuracy ■ safety: shut-off of the cold water and effectiveness of the limiter ■ mechanical performance ■ resistance to wear of moving parts ■ acoustic performance

**E.C.A.U. classification for thermostatic mixer taps:** There are 4 basic characteristics, and the letters E, A and U have the same meanings as for mixer taps. The characteristic "C" (for comfort) corresponds to the parameters that are specific to these products (dimensions, manoeuvring effort and water-saving system).

FLOW E Q l/min measured under a pressure of 3 bar	ACOUSTICS A Lap dB (A)	COMFORT C Type	WEAR U Number of cycles
<b>E0</b> = 9.0 l/min < Q < 12.0 l/min			
<b>E1</b> = 12 l/min < Q < 16 l/min	<b>A1</b> = 20 dB (A) < Lap ≤ 30 dB (A)	<b>C1</b> manoeuvring effort dimensions	<b>U1 Movable plugging equipment:</b> 200,000 cycles <b>Swivel spout:</b> 80,000 cycles <b>Bath-shower reverser:</b> 30,000 cycles
<b>E2</b> = 16 l/min < Q < 20 l/min	<b>A2</b> = 15 dB (A) < Lap ≤ 20 dB (A)	<b>C2</b> water-saving system	<b>U2 Movable plugging equipment:</b> 350 500 cycles <b>Swivel spout:</b> 140 000 cycles <b>Bath-shower reverser:</b> 50 000 cycles
<b>E3</b> = 20 l/min < Q < 25 l/min	<b>A3</b> = Lap ≤ 15 dB (A)		<b>U3 Movable plugging equipment:</b> 500 000 cycles <b>Swivel spout:</b> 200 000 cycles <b>Bath-shower reverser:</b> 80 000 cycles
<b>E4</b> = Q < 25 l/min	FOR BATH TAPWARE, THE MINIMUM CLASS IS <b>E3</b>		

## OUR SELECTION OF SANIFIRST® MIXER TAPS CERTIFIED TO THE FRENCH STANDARD



Prod. no.	Description	Type	Acoustic class	E.C.A.U. classification
75421	Short solid lever washbasin mixer tap without waste	Washbasin	IA	E0 C2 A3 U3
75633	Solid lever washbasin mixer tap with waste	Washbasin	IA	E0 C2 A3 U3
75634	Solid lever washbasin mixer tap with waste	Washbasin	IA	E0 C2 A2 U3
75635	Slimline lever washbasin mixer tap with waste, energy saving	Washbasin	IA	E0 C3 A2 U3
75391	Sink mixer tap with adjustable spout and solid lever	Sink	IA	E0 C2 A2 U3
75640	Thermostatic shower mixer tap, span 150	Shower	IB	E1 C2 A2 U3

E = Flow C = Comfort A = Acoustics U = Wear

# CLASSIFICATION E.C.A.U. M (MEDICAL)



The NF mark now includes an “E.C.A.U. Medical” classification for tapware designed for use in healthcare facilities.

This tapware is specially adapted to the conditions of use and the particular demands of medical environments.

## MAIN PRINCIPLES

- The entire lever must be accessible for cleaning.
- Hot and cold water for single-hole taps must be supplied in copper pipes or PEX or silicone hoses.
- Tap outlets must not be fitted with a screen-type jet regulator.
- Wall-mounted shower mixer taps must not have a control lever that is horizontal and/or perpendicular to the wall in the closed position.
- Pressurised mixing chambers upstream of the plug are not permitted.

## REQUIRED HYDRAULIC PERFORMANCE FOR E.C.A.U. M CLASSIFICATION

### “Mechanical mixer tap”-type tapware

Model	Flow between 34 and 44°C Pressure 3 0/+ 0.2 bar	Sensitivity	Temperature limiter ring	Comfort classification
Washbasin	Q between 4 and 6 l/min	≥ 12 mm	Yes	Ch2/Ch3
Shower	Q between 9 and 12 l/min	≥ 14 mm		Ch2
Bath	≥ 20 l/min	≥ 14 mm		Ch2 if bath-shower
Wall-mounted washbasin	Q between 4 and 6 l/min	≥ 12 mm		Ch2/Ch3
Sink	Q between 9 and 12 l/min	≥ 12 mm		C2/C3
Slop sink	Q between 9 and 12 l/min	≥ 12 mm		Ch2/Ch3
Baby range	Q between 9 and 12 l/min	≥ 14 mm		Ch2/Ch3

### “Thermostatic mixer tap”-type tapware

Model	Flow between 34 and 44°C Pressure 3 0/+ 0.2 bar	Sensitivity	Max. temperature	Comfort classification
Washbasin	Q between 4 and 6 l/min	≥ 12 mm	41 °C	Ch2/Ch3
Shower	Q between 9 and 12 l/min	≥ 14 mm	41 °C	
Bath	≥ 20 l/min	≥ 14 mm	44 °C	
Baby range	Q between 9 and 12 l/min	≥ 14 mm	38 °C	

## DIMENSIONING REQUIREMENTS

### Single-hole washbasin



### Wall-mounted washbasin



## TESTS IN ADDITION TO THE DIMENSIONING REQUIREMENTS

- Material ageing
- Mechanical resistance of tap controls
- Hydraulic performance
- Durability

## REGULATORY REFERENCES

### E.C.A.U. Medical classification Technical document 077 - 15

The objective of the E.C.A.U. Medical classification is to ensure a quality mark for all the parties involved (project managers, developers etc.) in the installation of sanitary equipment.

It ensures that products are put in place at the various points of use that have undergone a series of qualification tests.

Certified products offer guarantees of functionality over time, hygiene, and resistance to intensive use and specific disinfection protocols.

The E.C.A.U. Medical classification encompasses the following requirements:

- **Normative standards:** EN 248 (chrome-plated) - EN 817 (mechanical) - EN 1111 (thermostatic)
- **Design** (see page 16 – prohibition of pressurised mixing chambers for thermostatic tapware)
- **Marking and tracking:** NF M
- **Materials:** French Sanitary Compliance Certificate (ACS)
- **Dimensions** (see page 17)
- **Hydraulic performance:** regulated and controlled flows (see page 16)
- **Mechanical resistance of the controls**
- **Durability**

### Circular of 15 February 2019 French Ministry for Solidarity and Health

Following feedback and the observation of several deaths due to scalds, as well as a resurgence of detected Legionella cases, **certain recommendations were formulated and made to all relevant national health establishments (public/private) by the various regional health agencies.**

In the case of incidents or accidents, the responsibility of the heads of the establishments could be engaged.

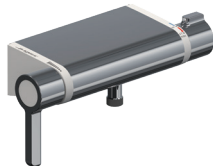
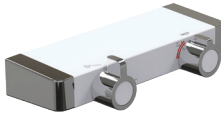
To this end, the following were requested:

- A study of the risk incurred by patients in these establishments.
- Complete knowledge of the various networks, their installation, and the means of guaranteeing that their temperature levels can be controlled, in accordance with the various legal texts. (Order of 30 November 2005 / 1 February 2010, etc.)
- **The implementation of actions or equipment for ensuring complete protection against scalding** (immediate shut-off of the hot water supply in the event of a major incident on the cold water network).
- **The implementation of actions or equipment for preventing all risks of intercommunication** between networks, in order to prevent the growth of pathogenic bacterial.










# PRODUCT CONFORMITY

## TAPWARE WITH OR UNDERGOING NF CERTIFICATION ACCORDING TO THE E.C.A.U. MEDICAL CLASSIFICATION



MasterMIX®

Prod. no.	Description	Flow between 34 and 44°C Pressure 3 0/+ 0.2 bar	Model
75948	Exposed shower thermostatic mixer tap, bottom outlet MasterMix®	Q between 9 and 12 l/min	
75949	Exposed shower thermostatic mixer tap, top outlet MasterMix®	Q between 9 and 12 l/min	
75950	Wall-mounted thermostatic shower tablet, bottom outlet MasterMix®	Q between 9 and 12 l/min	
75952	Deck-mounted washbasin thermostatic mixer tap MasterMix®	Q between 4 and 6 l/min	

## Modul'MiX®

Prod. no.	Description	Flow between 34 and 44°C Pressure 3 0/+ 0.2 bar	Model
75135	<b>Mixer tap with removable spout</b> H 200 P 200 Modul'Mix®	Q between 4 and 6 l/min	
75126	<b>Mixer tap with removable spout</b> H 100 P 150 Modul'Mix®	Q between 4 and 6 l/min	
75128	<b>Mixer tap with removable spout</b> H 100 P 200 Modul'Mix®	Q between 4 and 6 l/min	
75131	<b>Mixer tap with removable spout</b> H 200 P 150 Modul'Mix®	Q between 4 and 6 l/min	
75138	<b>Mixer tap with removable spout</b> H 200 P 250 Modul'Mix®	Q between 4 and 6 l/min	
75141	<b>Mixer tap with removable spout</b> H 300 P 150 Modul'Mix®	Q between 4 and 6 l/min	
75143	<b>Mixer tap with removable spout</b> H 300 P 200 Modul'Mix®	Q between 4 and 6 l/min	
75145	<b>Mixer tap with removable spout</b> H 300 P 250 Modul'Mix®	Q between 4 and 6 l/min	
75062	<b>Elbow control washbasin mixer tap</b> H 100 P 170 Modul'Mix®	Q between 4 and 6 l/min	

## HoptiM'®

Prod. no.	Description	Flow between 34 and 44°C Pressure 3 0/+ 0.2 bar	Model
75840	<b>Elbow control washbasin mixer tap with waste</b> H 100 mm P 108 mm HoptiM'®	Q between 4 and 6 l/min	
75841	<b>Elbow control washbasin mixer tap without waste</b> H 100 mm P 108 mm HoptiM'®	Q between 4 and 6 l/min	

Non-exhaustive and evolving list

# EXPERT TECHNOLOGY

## MasterMiX®

The patented MasterMix® technology ensures safety on two levels, with protection against scalds and against bacterial growth (network safety). When the mixer tap is in the closed position, contamination is impossible.

This technology is available for washbasins and showers.

MasterMix®  
thermostatic shower tablet

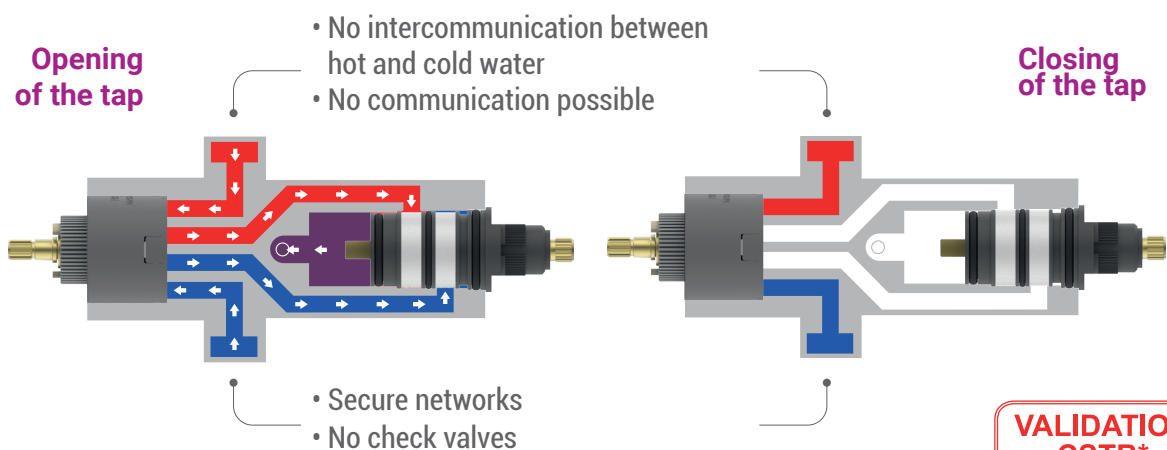


MasterMix® single-hole  
thermostatic mixer tap for washbasin

### THE MASTERMIX® TECHNOLOGY IS INTEGRATED IN MANY OF THE NF MEDICAL CERTIFIED MIXER TAPS



The mixing chamber is downstream of the plug (open/close button): mixing can only happen downstream. There is no pressurised mixing chamber in the closed position.



**VALIDATION  
CSTB\***

\* French Scientific and Technical Centre for Buildings



## THE ADVANTAGES



### HYGIENE

- Our mixer taps with MasterMix® technology **do not require any check valves, which are often the cause of intercommunication between the cold and hot water supply that leads to bacterial growth.**
- **Lack of intercommunication certified by the CSTB.**



### INSTALLATION AND MAINTENANCE

- The cartridge can be changed **without shutting off the water supply** (leave the lever in the closed position).
- **No pressure in the mixing chamber.**
- Wall-mounted versions: **“plug & play” mounting plate for easier product maintenance.**



### SAFETY

- Dual safety limiter: 38°C and 41°C.
- The **secure limiter can only be unlocked by technical services** in order to carry out a thermal shock.
- Instant shut-off of the water in the event of interruption to the cold water supply (**anti-scalding system as per NF EN 1111**).



### LOCATIONS

- |                    |                   |
|--------------------|-------------------|
| ■ Hospitals        | ■ Clinics         |
| ■ Nursing homes    | ■ Nurseries       |
| ■ Retirement homes | ■ Maternity units |

# CERAMIC CARTRIDGES

The cartridges have three functions: **dual flow** for daily water saving / **temperature limiting** to ensure safe use / **flow limiting** to keep water consumption under control.

The triple function cartridges are made from high-quality materials. They guarantee top performance, optimum safety and high durability. All SANIFIRST® cartridges comply with the ACS sanitary safety regulations.

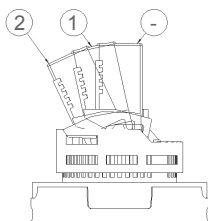
## THE ADVANTAGES

### WATER SAVING

Cartridges are equipped with a water-saving system that complies with criterion C2 of the standard NF EN 817:

#### 1. DUAL FLOW

- A resistance point marks the limitation of the flow to 50%, or around 6 l/min, which is sufficient for washing hands (position 1).
- To increase the flow, simply open the lever all the way (position 2).
- The system may optionally be supplied in steel.

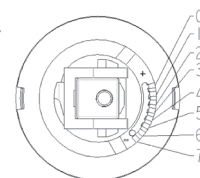


#### 2. THE FLOW REGULATOR

The cartridges have a small adjusting screw that makes it possible to limit the maximum flow supplied by the tapware by limiting the degree to which the lever can open. The user is therefore free to choose the maximum flow depending on their needs.

### TEMPERATURE REGULATION

The cartridges have a mechanical temperature limiter made from filled plastic. There are 7 adjustment positions for reducing the flow of domestic hot water at the user's convenience. This ring may be made from brass upon request.



Position on the cartridge	1	2	3	4	5	6	7
Limitation of hot water flow	0%	3%	10%	20%	30%	40%	50%

### DURABILITY AND RELIABILITY

- Withstands more than 500,000 manoeuvres (compliant with the standard NF 175 000).
- Resistant to temperatures of up to 85°C, thermal shock up to 90°C.
- Resistant to static pressures of up to 25 bar.
- Corrosion-proof materials.

### ADAPTABILITY

- All SANIFIRST® products have a ceramic cartridge with a diameter of 40 mm. Depending on the model, the cartridge comes in a "low" version (prod. no. 75316) or a "high" version (prod. no. 75312).
- By way of exception, some tapware has a cartridge with a diameter of 35 mm.
- This tapware does not have a dual flow system, and its flow regulation system does not have a screw but instead uses a jumper that is to be moved according to the desired flow rate.



"LOW" CARTRIDGE

Réf. 93026



"HIGH" CARTRIDGE


Réf. 93023



PRESSURE-BALANCING (PB) CERAMIC CARTRIDGE

- Temperature limiter
- Check valves • Dual flow

Réf. 93024

 Find the product number for the correct cartridge in each of the product descriptions.

# INFRARED SENSORS

Sensor tapware spells the end for taps left running unnecessarily and the associated water wastage. This is the best solution for controlling water consumption without any decrease in comfort.

For several years, we have supplied sensor products that are assembled from the same types of components. This makes them much easier to maintain, since there is no need to install a control box, just the power supply (battery or mains).

## **i** HYGIENE

All our sensor mixer taps have two solenoid valves (exclusive to the SANIFIRST® technology) in order to reduce the risk of bacterial growth. Our solenoid valves are made from silicone, a material that prevents biofilms from forming on the membranes. They can also be removed and disinfected.

## THE SENSOR REMOTE CONTROL: THE TOOL THAT IS REVOLUTIONISING SENSOR OPERATION!

In addition to all our products, we have also developed a revolutionary sensor process: the sensor remote control, which can be used to configure all settings.



### /// HAND BASIN

Activates the tap when someone is in front of the sensor.

### /// STOP/GO

The first movement in front of the sensor starts the water flow and the second stops it.

### /// DUAL DETECTION

- Stop/go mode when movements are detected less than 5 cm away from the sensor.
- Hand basin mode when movements are detected from than 5 cm from the sensor.

### /// METERING

A movement in front of the sensor triggers the water supply for the programmed comfort timer duration (a duration of up to 99 s can be set in this mode).

### /// SENSOR DETECTION DISTANCE

Configuration of the sensor detection distance (from 5 cm to 25 cm).

### /// BYPASS

Activation of a bypass function in order to carry out thermal shocks or similar.

### /// COMFORT TIMER

Adjusts the sensor timer, i.e. the flow time after the last detected movement. This menu is only active when the sensor is in hand basin or dual detection mode (can be set in 1 sec increments from 0 to 30 sec).

### /// SAFETY TIMER

Configuration of the sensor safety timer for blocking of the flow (tamper-proof time can be set in 1 sec increments from 0 sec to 4 min).

### /// AUTOMATIC RINSING

Programming of an automatic rinse cycle. Adjustment of the frequency of the regular rinsing triggered after the last use (can be set in 1 hr increments from 1 to 72 hrs). Adjustment of the automatic rinsing duration (can be set in 10 sec increments from 10 sec to 3 min).



Compliant with the "Electromagnetic Compatibility" Directive 89/336/EEC as amended on 03/05/1989 and with the provisions of the "Low Voltage" Directive 73/23/EEC as amended on 19/02/1973.

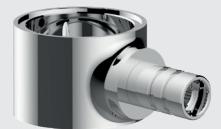
# THE DEDICATED MODULAR RANGE

## Modul'MiX®

### A RANGE OF TAILOR-MADE MIXER TAPS FOR HOSPITALS

The Modul'Mix® hospital mixer taps all have the same smooth body. The other elements, of lever or spout type, can be varied depending on the particular requirements to create a customised tap.

The Modul'Mix® range is based around a generic set of spare parts.



### NF CERTIFICATION – E.C.A.U. MEDICAL CLASSIFICATION



In order to simplify our certification process, we have chosen to certify only a small selection of the Modul'Mix® parts. However, **the Modul'Mix® products are made up of a range of multiple configurations based on a common hydraulic chain.** For this reason, the certification requirements apply to the full product range.

The Modul'Mix electronic system has 2 solenoid valves (hot and cold water separation) in order to limit the risk of bacteria.

#### Product certified NF E.C.A.U medical classification



- H 100 mm
- P 150 mm
- Elbow control

#### Non-certified product



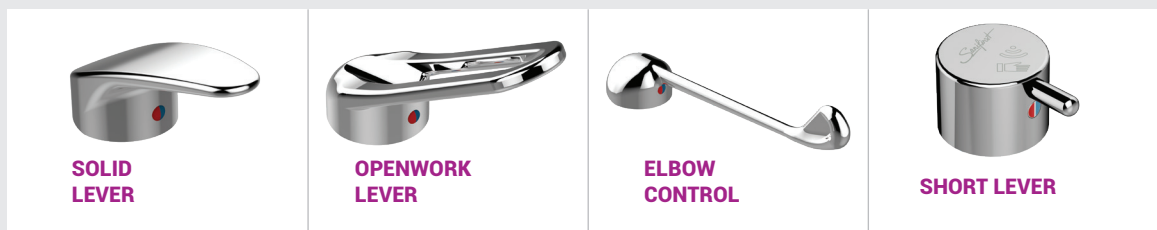
Only the lever is different; the hydraulic chain and the product performance are identical

- H 100 mm
- P 150 mm
- Solid lever

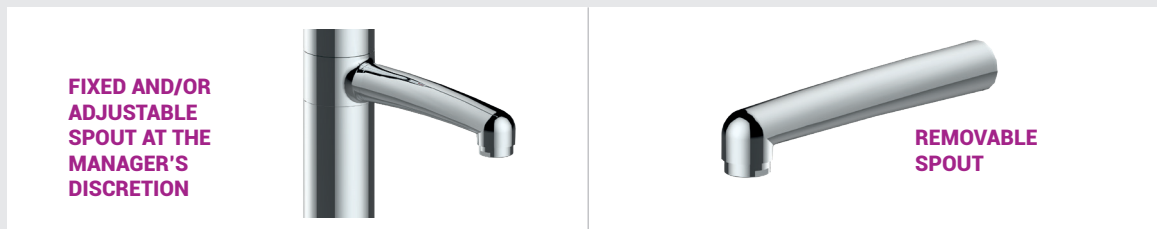
## DIVERSITY AND MODULARITY

All our mixer taps in the Modul'Mix® range have interchangeable spouts and extensions. This means that you can adjust the projection and height to the spout to best suit your specific needs.

### Lever type



### Type de becs



## THE ADVANTAGES



### HYGIÈNE

**NEW**

- Spout with low water content.
- Spout with smooth interior.
- No waste: limits bacterial deposits.
- Compatible with end filters.
- No retention zone.
- Star flow-straightener made from Hostaform reduces the risk of limescale, eliminates water retention and impurities, and is resistant to chlorine and thermal shocks.
- SPEX hoses resistant to chlorine and thermal shocks.



### INSTALLATION AND MAINTENANCE

- Can be adapted to suit all configurations in terms of height and projection upon request
- Deck-mounted



### "NF MEDICAL" CERTIFICATION

- "Showcase" products certified NF "M".
- Flow rate compliant with NF standard for medical environments; flow rate can be modified by adjustment screw if limiters removed.

# THE ADVANTAGES OF THERMOSTATIC MIXER TAPS

Mixer taps fitted with thermostatic cartridges in compliance with the standard NF EN 1111 (see page 51).



## COMFORTABLE USE

- All our thermostatic mixer taps satisfy the **C1 criteria of the NF EN 1111 standard**, offering excellent sensibility and accuracy when adjusting the temperature and flow.



## INSTALLATION AND MAINTENANCE

- Water supply 0.5 to 5 bar.
- Cold and hot water pressure balancing:  $\Delta P$  max 1 bar while flowing.
- Hot water maximum 50°C for tapping points in toilets (order of 30/11/2005).
- Some mixer taps are fitted with a **removable spout** for ease of disinfection and maintenance.



## DURABILITY AND RELIABILITY

- Chrome-plated brass body.
- Corrosion-proof materials.
- Adjustable spouts withstand a minimum of 200,000 cycles.
- Plugs withstand a **minimum of 500,000 cycles** (maximum 175,000 required for the NF standard).
- Fixed in place with two nickel-plated steel rods and a counter-nut depending on the model.
- Fixed in place with offset connectors or our **plate system** (see p. 88 to 91).
- Descaling can be carried out without losing the calibration settings.
- Resistant to temperatures of up to 85 °C, thermal shock up to 90 °C.
- Resistant to static pressures of up to 25 bar.



## SAFETY

- Mechanical temperature limiter in filled plastic (brass limiter available upon request) with check valves.  
**This equipment complies with all ACS sanitary safety regulations.**
- Dual safety limiter: 38°C and 41°C with specific models.
- The **secure limiter can only be unlocked by technical services in order to carry out a thermal shock.**
- Instant shut-off of the water in the event of interruption to the cold water supply (**anti-scalding system as per NF EN 1111**).



## WATER SAVING

- Water-saving system in accordance with criterion C2 of the NF EN 1111 standard, "dual flow" system for water savings of up to 40% depending on the installation and the water network.
- Temperature knob for immediate setting to the desired temperature, saving large amounts of water.



## HYGIENE

- Star flow-straightener made from **Hostaform reduces the risk of limescale**, eliminates water retention and impurities, and is resistant to chlorine and thermal shocks.
- SPEX hoses resistant to chlorine and thermal shocks.





# TAPWARE FOR WASHBASINS, HANDBASINS, SINKS AND TROUGHS

<b>SELECTION GUIDE</b>	<b>30</b>
<b>CERAMIC TECHNOLOGY</b>	
WASHBASIN MIXER TAP	34
SINK MIXER TAP	43
<b>THERMOSTATIC TECHNOLOGY</b>	
WASHBASIN MIXER TAP	49
SINK MIXER TAP	49
MODULMIX® MIXER TAP	50
MASTERMIX® MATERNITY WARD MIXER TAP	55
<b>SENSOR TECHNOLOGY</b>	
MIXER TAP	58
ELECTRONIC BOX	60
SPOUT	62
<b>OTHERS</b>	
SINGLE-FLUID HOSPITAL TAP	64
HOSPITAL SPOUT	65
REMOTE CONTROL	67
<b>LABORATORY TAPWARE</b>	
SELECTION FIRST LABO	32 / 68

# SELECTION GUIDE

## MECHANICAL



H 53 mm  
p 34



H 78 mm  
p 35



H 100 mm  
p 36



H 92 mm  
p 38



H 140 mm  
p 43



H 215 mm  
p 44



H 252 mm  
p 44



H 132 mm PULL-OUT  
p 45



H 220 mm  
p 46



WALL-MOUNTED WASHBASIN  
p 39



WALL-MOUNTED SINK  
p 47



WALL-MOUNTED SINK  
p 48



H 126 mm  
p 64



WALL-MOUNTED WASHBASIN  
p 64

## MODUL'MIX RANGE: MECHANICAL + ELECTRONIC

## Modul'MIX®



WASHBASIN H 100 mm  
p 41



MIXER TAP  
p 42



SINK H 160  
p 43



ELECTRONIC MIXER TAP  
p 58



ELECTRONIC MIXER TAP  
p 59

## THERMOSTATICS

## MasterMIX®

NEW



WASHBASIN  
p 52



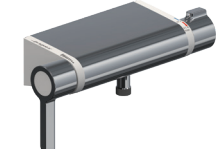
WASHBASIN  
p 54



BABY  
p 55



WALL-MOUNTED WASHBASIN  
p 56



WALL-MOUNTED WASHBASIN  
p 57



WASHBASIN H 164 mm  
p 49



SINK H 224 mm  
p 49



Mechanical tapware



Sensor tapware

### HOSPITAL SPOUTS/TAPS: MECHANICAL + ELECTRONIC



MECHANICAL  
DECK-MOUNTED  
p 65



MECHANICAL  
DECK-MOUNTED  
p 65



MECHANICAL  
WALL-MOUNTED  
p 66



MECHANICAL  
WALL-MOUNTED  
p 66



ELECTRONIC BOX  
p 60



ELECTRONIC  
DECK-MOUNTED  
p 62



ELECTRONIC MIXER TAP  
p 62



ELECTRONIC  
WALL-MOUNTED  
p 63

### REMOTE CONTROL



REMOTE CONTROL  
p 67



SINGLE FOOT PEDAL  
p 67



KNEE OPERATED TAP  
p 67

### LABORATORY TAPWARE

NEW



DRINKING WATER  
p 68



COMPRESSED AIR  
p 69



NITROGEN  
p 70



BASINS  
p 71

THE NEW RANGE OF LABORATORY TAPS

# FIRST LABO

PERFORMANCE IN EVERY EXPERIENCE

## BENEFITS

- Ergonomic design
- Reliability
- Corrosion resistance
- Vandal-proof

## ADVANTAGES

- Ergonomic handwheel shape ensuring optimized grip for the user
- New base shape allowing better mechanical attachment to the sink
- Taps compliant with NF EN 13792 colour coding standards
- Epoxy-painted body resistant to chemical products
- Patented steel claw washer system on threaded rods (except mixers) preventing faucet rotation
- Fixed nozzle available, providing projection against the risk of tearing or deterioration.

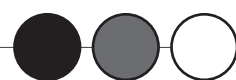
## FOR WHICH TARGET? THE FIRST LABO RANGE IS DESIGNED FOR:

- Schools
- Universities
- Public laboratories
- Private laboratories

## A DIVERSIFIED OFFER

A WIDE RANGE OF PRODUCTS, AVAILABLE IN 3 COLOURS\*  
TO MEET YOUR NEEDS.

### DRINKING WATER



Candelstick



Column



Mixer



Panel-mounted  
remote control

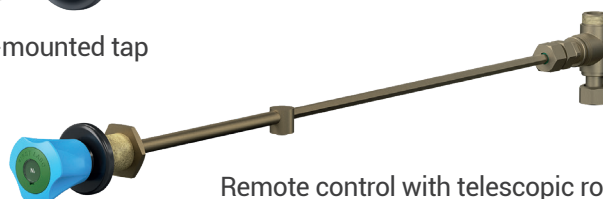
### COMPRESSED AIR - VACUUM - NITROGEN



Deck-mounted tap



Wall-mounted tap



Remote control with telescopic rod

\* With the exception of the fluid demineralised water

# WASHBASIN MIXER TAP



## SINGLE-HOLE WITH FIXED CAST SPOUT

### HEIGHT TO SPOUT 53.5 mm

- Projection 119 mm
- Cartridge: 93023, Ø 40 mm
- NF-compliant plastic waste
- SPEX hoses, M 12 x 1, G 3/8" nut connection, length 370 mm
- Star flow-straightener, M 24 x 1

### SOLID LEVER

75023 With waste

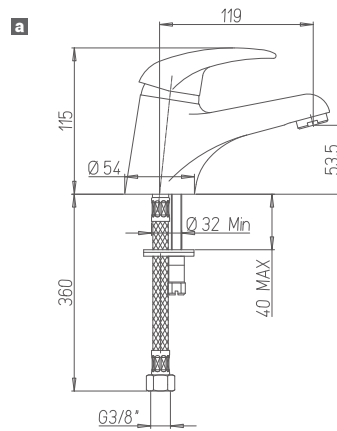
75421 Without waste – **NF\***

75025 Without waste **a**

**i** The NF\* version is supplied with EPDM hoses and an aerator.

\* Certified products

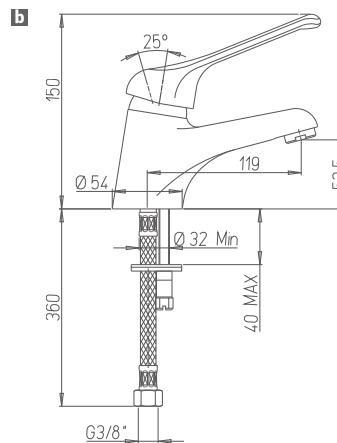
Ceramic cartridge: "Basic" anti-scalding protection via temperature limiter ring (no automatic shut-off in case of cold water supply failure).



## OPENWORK LEVER

75612 With waste

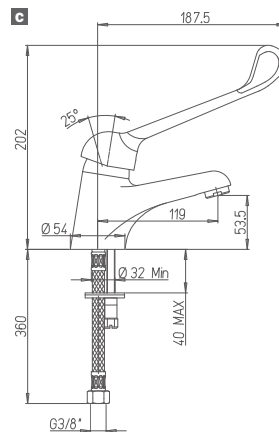
75613 Without waste **b**



## ELBOW CONTROL

75614 With waste

75615 Without waste **c**



# WASHBASIN MIXER TAP



## SINGLE-HOLE WITH FIXED CAST SPOUT

### HEIGHT TO SPOUT 78.5 mm

- Projection 110 mm
- Cartridge: 93023, Ø 40 mm
- Brass waste – Hostaform NF valve
- SPEX hoses, M 10 × 1, G 3/8" nut connection, length 450 mm
- Star flow-straightener, M 24 × 1

### SOLID LEVER

75049 With waste

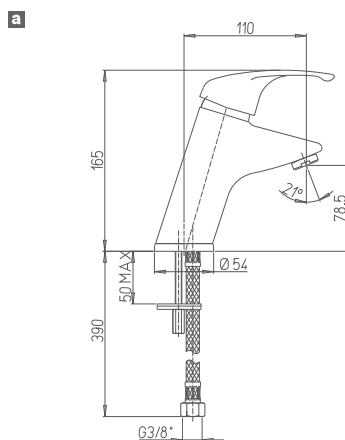
75634 With waste – NF\*

75051 Without waste **a**

**i** The NF\* version is supplied with EPDM hoses and an aerator.

\* Certified products

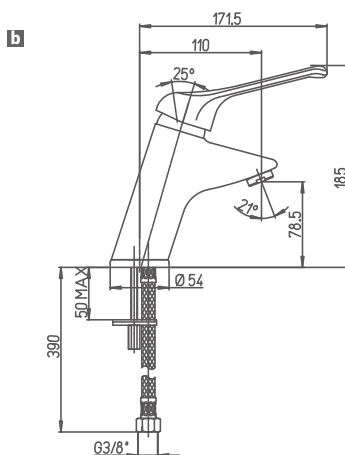
Ceramic cartridge: "Basic" anti-scalding protection via temperature limiter ring (no automatic shut-off in case of cold water supply failure).



## OPENWORK LEVER

75608 With waste

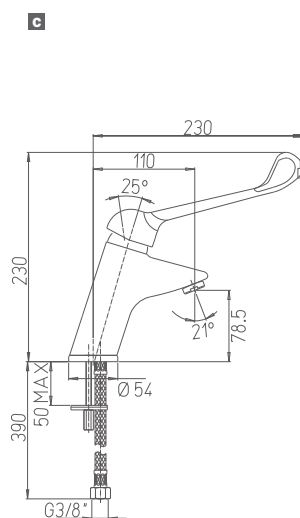
75609 Without waste **b**



## ELBOW CONTROL

75610 With waste

75611 Without waste **c**



# WASHBASIN MIXER TAP



## SINGLE-HOLE WITH SMOOTH SPOUT

### HEIGHT TO SPOUT 100 mm

- Projection 106 mm
- Cartridge : 93289, Ø 35 mm
- SPEX hoses, M 10 × 1, G 3/8" nut connection
- Star flow-straightener, M 24 × 1
- Flow compliant with NF – E.C.A.U. "M" (Medical) classification: between 4 and 6 l/min at 3 bar
- Body with smooth interior and exterior

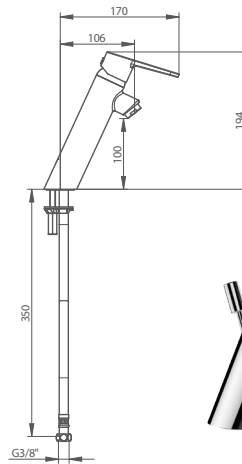
### SOLID LEVER

75844 With waste Cartridge: 93289

75845 Without waste **a** Cartridge: 93289

Ceramic cartridge: "Basic" anti-scalding protection via temperature limiter ring (no automatic shut-off in case of cold water supply failure).

**a**



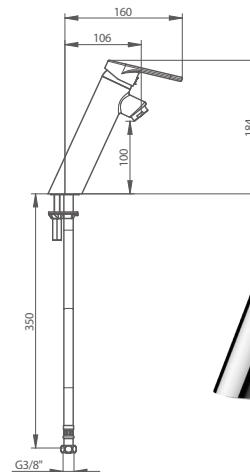
HoptiM'

### OPENWORK LEVER

75842 With waste Cartridge: 93289

75843 Without waste **b** Cartridge: 93289

**b**



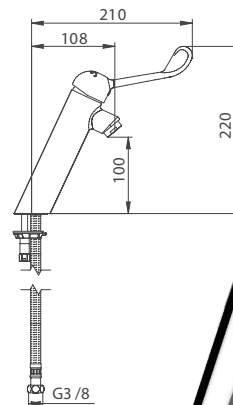
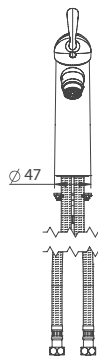
HoptiM'

### ELBOW CONTROL

75840 With waste – NFM\* Cartridge: 93289

75841 Without waste – NFM\* **c** Cartridge: 93289

**c**



HoptiM'

\* Certified products Medical environments

**i** E.C.A.U. M classification: E00 Ch2 A1 U3

# WASHBASIN MIXER TAP



## SINGLE-HOLE – ENERGY-SAVING

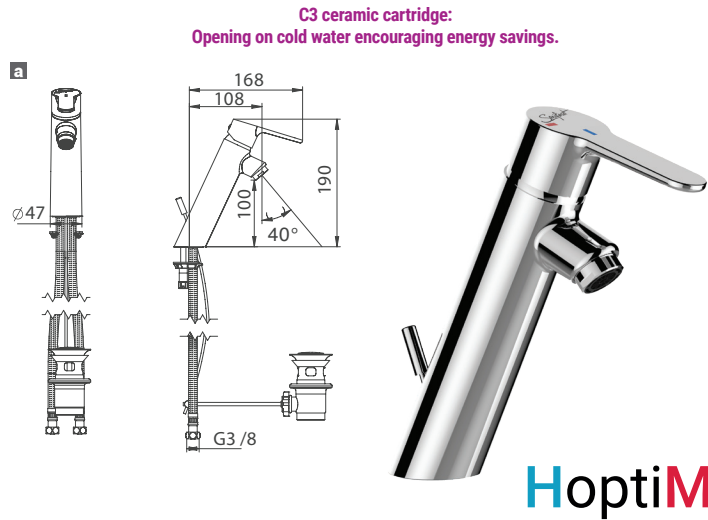
### HEIGHT TO SPOUT 100 mm

- Projection 108 mm
- Cartridge: 93117, Ø 35 mm, type C3
- NF-compliant plastic waste
- SPEX hoses, M 10 × 1, G 3/8" nut connection
- Star flow-straightener M 24 × 1
- Flow compliant with NF "M": between 4 and 6 l/min at 3 bar
- Body with smooth interior and exterior
- Opening on cold water

### SOLID LEVER

75915 With waste **a** Cartridge EP

75916 Without waste Cartridge EP

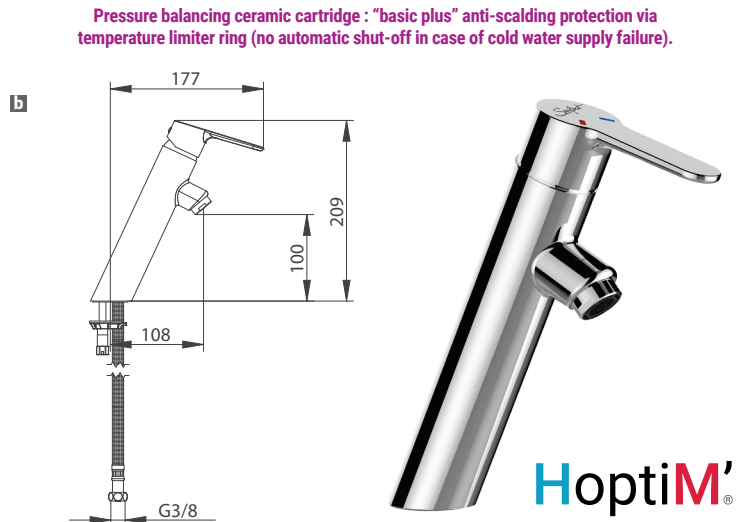


## PRESSURE-BALANCING

### SOLID LEVER

74000 With waste Cartridge EP

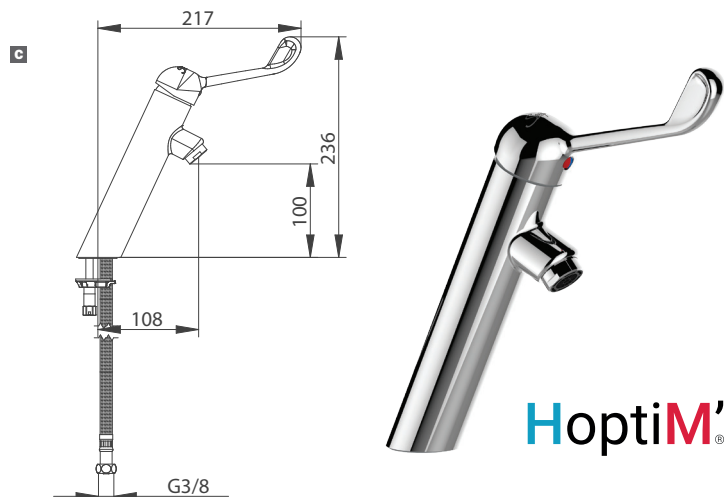
74001 Without waste **b** Cartridge EP



## ELBOW CONTROL

74002 With waste Cartridge EP

74003 Without waste **c** Cartridge EP



# WASHBASIN MIXER TAP



## SINGLE-HOLE – ENERGY-SAVING

### HEIGHT TO SPOUT 92 mm

- Projection 100,5 mm
- Cartridge: 93117, Ø 35 mm, type C3
- NF-compliant plastic waste
- SPEX hoses, M 10 × 1, G 3/8" nut connection, length 500 mm
- Star flow-straightener M 24 × 1
- Hard point can be deactivated by the user: 3.9 l/min at 3 bar
- Opening on cold water

### SLIMLINE LEVER

75616 With waste **a** Cartridge C3

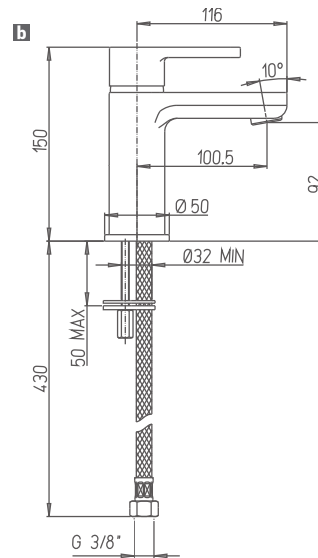
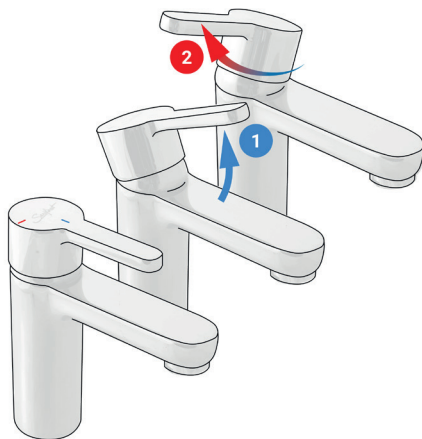
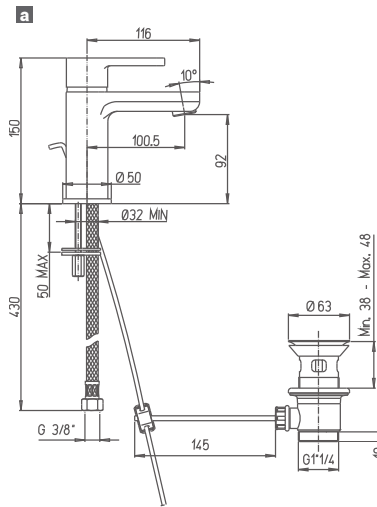
75635 With waste – NF\* Cartridge C3

75617 Without waste **b** Cartridge C3

**i** The NF\* version is supplied with EPDM hoses and an aerator.

\* Certified products

Ceramic cartridge C3:  
opening on cold water for energy saving



# WASHBASIN MIXER TAP



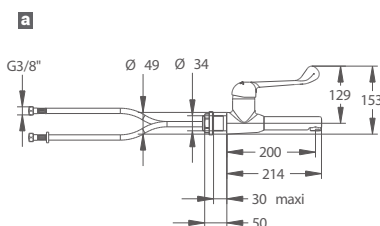
## SINGLE-HOLE WITH SMOOTH TUBULAR SPOUT

- Elbow control
- Cartridge Ø 40 mm
- SPEX hoses, M 10 × 1, EP G 3/8", length 350 mm
- Star flow-straightener, M 24 × 1

**74082** Projection 160 mm **a**

**74083** Projection 200 mm

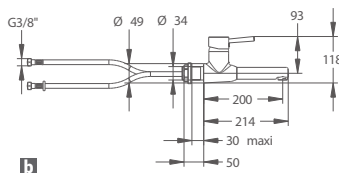
Ceramic cartridge: "Basic" anti-scalding protection via temperature limiter ring (no automatic shut-off in case of cold water supply failure).



- Slimline lever
- Cartridge Ø 40 mm
- SPEX hoses, M 10 × 1, EP G 3/8", length 350 mm
- Star flow-straightener, M 24 × 1

**74084** Projection 160 mm **b**

**74085** Projection 200 mm



# CUSTOMISE YOUR TAPS WITH THE MODUL'MIX® RANGE

VARIOUS COMBINATIONS POSSIBLE

## Modul'MIX®

**Removable smooth internal spouts**

**Elbow control** 1 2 3

**Short lever (Sensor range)** 4

**Ergonomic openwork lever** 5

**Hygienic solid lever** 6

**Smooth spout – sink** 12

**Smooth spout – washbasin** 13

**7**

**Triple-function ceramic cartridge**

- Flow regulator
- Dual flow
- Temperature limiter
- Ø 40 mm

**8**

**Pressure-balancing ceramic cartridge (PB)**

- Integrated non-return valve
- Dual flow
- Temperature limiter
- Ø 40 mm

**Extensions in 3 sizes**  
Can be cut to size

100 mm 14

200 mm 15

300 mm 16

**Rotating or fixed ring for removable spout**

**Extension base**

**Sensor extensions**

100, 200 mm

17 18

### MAIN PRODUCTS IN THE RANGE

NUMBER	REF.	DESCRIPTION
1	93012	Elbow control L 170 mm – H 70 mm
2	93013	Elbow control 220 mm
3	93275	Elbow control for sensor version L 180 mm
4	93327	Short lever for sensor version
5	93042	Chrome-plated openwork lever
6	93043	Chrome-plated solid lever
7	93023	Cartridge Ø 40 mm with flow limiter, dual flow and temperature limiter
8	93024	Pressure-balancing cartridge Ø 40 mm
9	93346	Removable spout for medical mixer tap – projection 150 mm – chrome-plated
10	93347	Removable spout for medical mixer tap – projection 200 mm – chrome-plated
11	93348	Removable spout for medical mixer tap – projection 250 mm – chrome-plated
12	93049	Swivel or fixed smooth tubular spout for sink mixer tap
13	93195	Swivel or fixed smooth tubular spout for washbasin mixer tap
14	75349	100 mm extension – only – chrome-plated
15	75350	200 mm extension – only – chrome-plated
16	75378	300 mm extension – only – chrome-plated
17	75380	100 mm extension with mains-powered sensor, clamp and base
18	75354	200 mm extension with mains-powered sensor, clamp and base
19	93349	Extension base
20	93350	Rotating ring for removable spout

**i** See exploded views of Modul'Mix washbasin and Modul'Mix thermostatic on page 110

# WASHBASIN MIXER TAP



## SINGLE-HOLE WITH SWIVEL AND FIXED SMOOTH SPOUT

HEIGHT TO SPOUT 100 mm

- Projection 170 mm
- Without waste
- SPEX hoses, M 10 × 1, EP G 3/8", length 350 mm
- Star flow-straightener, M 24 × 1

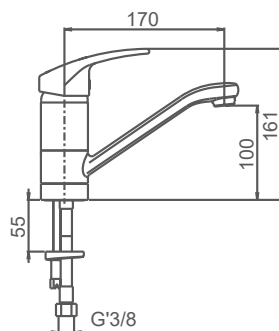
### SOLID LEVER

75060 Cartridge Ø 40 : 93023

75061 Cartridge PB: 93024

Ceramic cartridge: "Basic" anti-scalding protection via temperature limiter ring (no automatic shut-off in case of cold water supply failure).

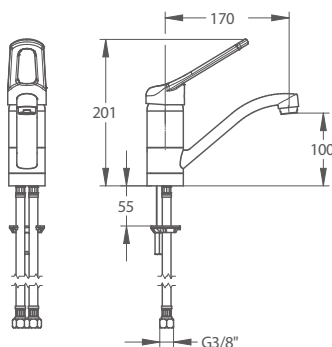
Ceramic Pressure Balancing cartridge: "Basic Plus" anti-scalding protection via temperature limiter ring. Heavy restriction of hot water flow in case of cold water failure and vice versa



### OPENWORK LEVER

75040 Cartridge Ø 40 : 93023

75715 Cartridge PB: 93024



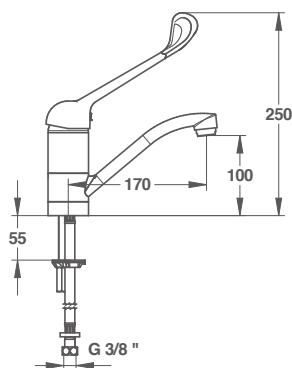
### ELBOW CONTROL

75062 Cartridge Ø 40 : 93023 – NF M\*

75063 Cartridge PB: 93024

\* Certified products Medical environments

E.C.A.U. M classification: E00 Ch2 A1 U3



# WASHBASIN MIXER TAP



## SINGLE-HOLE REMOVABLE SMOOTH SPOUT

### HEIGHT TO SPOUT 100 mm

- Without waste
- SPEX hoses, M 10 x 1, EP G 3/8", length 500 mm
- Star flow-straightener, M 24 x 1
- Swivel or fixed spout

### REMOVABLE SPOUT – CARTRIDGE Ø 40 : 93023

75124 Projection 150 mm – Solid lever

75126 Projection 150 mm – Elbow control – **NF M\***

75128 Projection 200 mm – Elbow control – **NF M\*** **a**

### REMOVABLE SPOUT – CARTRIDGE PB: 93024

75125 Projection 150 mm – Solid lever

75127 Projection 150 mm – Elbow control

75718 Projection 200 mm – Elbow control

\* Certified products **NF** Medical environments

**i** E.C.A.U. M classification: E00 Ch2 A1 U3

### HEIGHT TO SPOUT 200 mm

- Elbow control
- Without waste
- SPEX hoses, M 10 x 1, EP G 3/8", length 650 mm
- Star flow-straightener, M 24 x 1
- Swivel or fixed spout

### REMOVABLE SPOUT – CARTRIDGE Ø 40 : 93023

75131 Projection 150 mm – **NF M\***

75135 Projection 200 mm – **NF M\***

75138 Projection 250 mm – **NF M\*** **b**

### REMOVABLE SPOUT – CARTRIDGE PB: 93024

75132 Projection 150 mm

75136 Projection 200 mm

75180 Projection 250 mm

\* Certified products **NF** Medical environments

**i** E.C.A.U. M classification: E00 Ch2 A1 U3

### HEIGHT TO SPOUT 300 mm

- Elbow control
- Without waste
- SPEX hoses, M 10 x 1, EP G 3/8", length 650 mm
- Star flow-straightener, M 24 x 1
- Swivel or fixed spout

### REMOVABLE SPOUT – CARTRIDGE Ø 40 : 93023

75141 Projection 150 mm – **NF M\***

75143 Projection 200 mm – **NF M\***

75145 Projection 250 mm – **NF M\*** **c**

### REMOVABLE SPOUT – CARTRIDGE PB: 93024

75434 Projection 200 mm

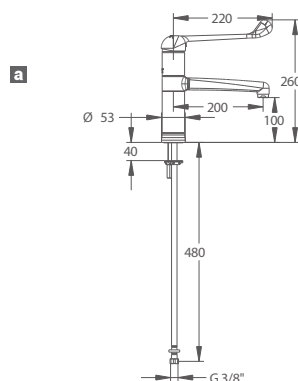
75146 Projection 250 mm

**i** Modul'Mix® can be configured in any combination. Please contact us for any products not shown on this page

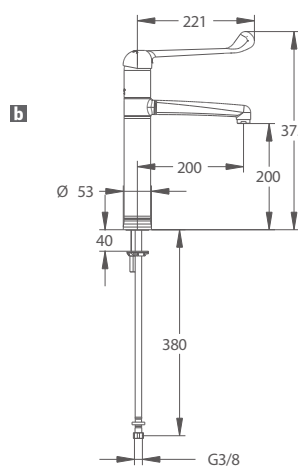
\* Certified products **NF** Medical environments

**i** E.C.A.U. M classification: E00 Ch2 A1 U3

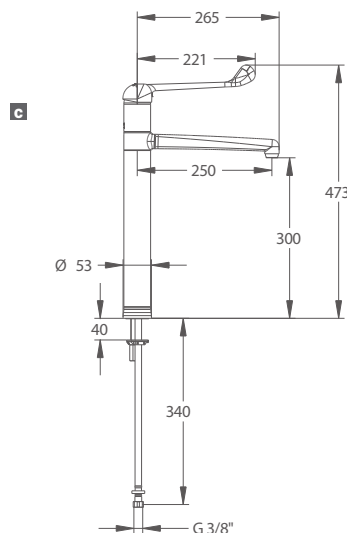
Ceramic/Pressure Balancing cartridge  
(see page 40 for definition)



Modul'Mix®



Modul'Mix®



Modul'Mix®

# SINK MIXER TAP



## SINGLE-HOLE WITH SMOOTH SWIVEL SPOUT

### HEIGHT TO SPOUT 160 mm

- Projection 230 mm
- SPEX hoses, M 10 × 1, EP G 3/8", length 350 mm
- Star flow-straightener, M 24 × 1

### SOLID LEVER

75064 Cartridge Ø 40 : 93023 **a**

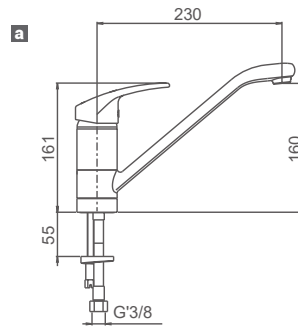
75065 Cartridge PB: 93024

### OPENWORK LEVER

75041 Cartridge Ø 40 : 93023

75721 Cartridge EP

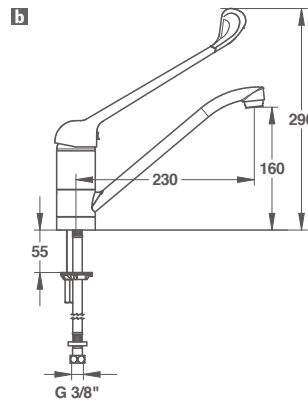
Ceramic/Pressure Balancing cartridge  
(see page 40 for definition)



## ELBOW CONTROL

75066 Cartridge Ø 40 : 93023 **b**

75067 Cartridge PB: 93024



## MINGLE-HOLE WITH SMOOTH SWIVEL SPOUT

### HEIGHT TO SPOUT 140 mm

- Projection 225 mm
- Cartridge Ø 40 mm : 93026
- SPEX hoses, M 12 × 1, EP G 3/8", length 350 mm
- Star flow-straightener, M 24 × 1

75027 Solid lever

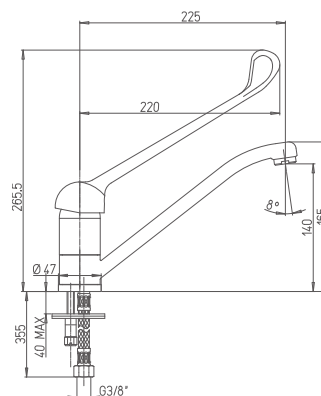
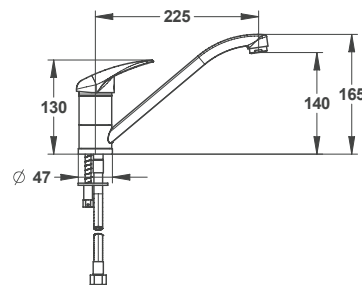
75391 Solid lever – NF\*

**i** The NF\* version is supplied with EPDM hoses and an aerator.

\* Certified products

75637 Elbow control

Ceramic cartridge: "Basic" anti-scalding protection via temperature limiter ring  
(no automatic shut-off in case of cold water supply failure).



# SINK MIXER TAP



## SINGLE-HOLE – ENERGY-SAVING

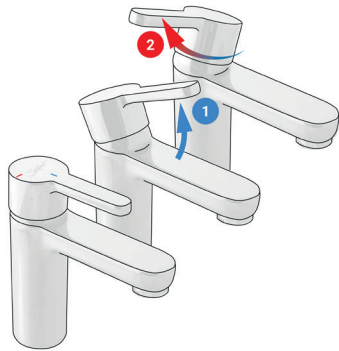
### HEIGHT TO SPOUT 252 mm

- Projection 170,5 mm
- Cartridge: 93117, Ø35 mm, type C3
- SPEX hoses, M10X1, nut connection G3/8", length 480 mm
- Flow-straightener M24X1
- «Click-clack» waste
- Opening on cold water

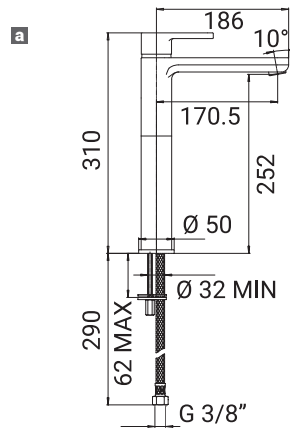
### MANETTE FINE

75697 With waste

75698 Without waste 



Ceramic cartridge C3:  
opening on cold water for energy saving



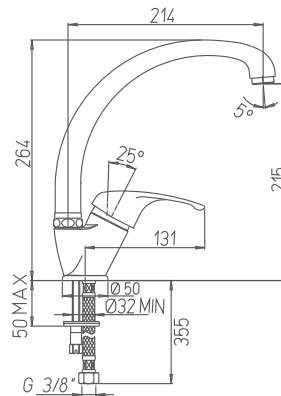
## SINGLE-HOLE WITH SMOOTH SWIVEL SPOUT

### HEIGHT TO SPOUT 215 mm

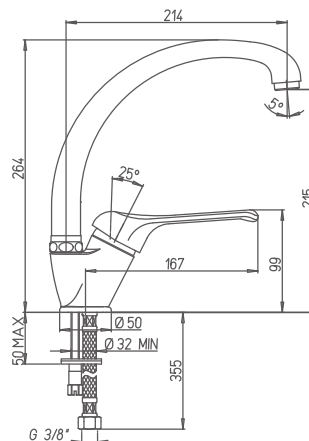
- Projection 214 mm
- Cartridge Ø 40 mm : 93026
- SPEX hoses, M 12 x 1, EP G 3/8", length 350 mm
- Star flow-straightener, M 24 x 1

75068 Solid lever

Ceramic cartridge: "Basic" anti-scalding protection via temperature limiter ring  
(no automatic shut-off in case of cold water supply failure).



75620 Openwork lever



# SINK MIXER TAP



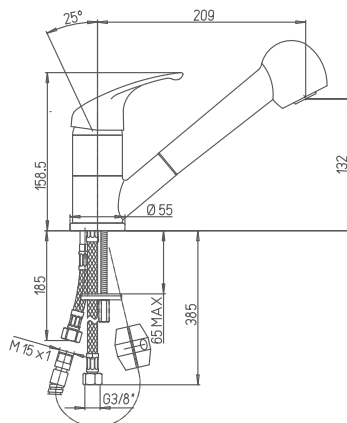
## SINGLE-HOLE WITH SWIVEL SPOUT AND PULL-OUT SINK SPRAY

### HEIGHT TO SPOUT 132 mm

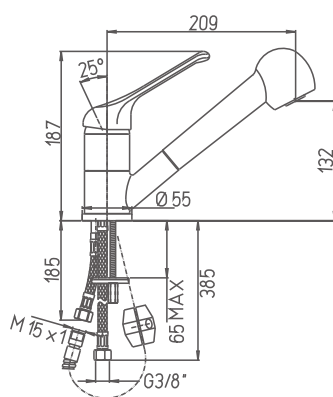
- Projection 209 mm
- Cartridge  $\varnothing$  40 mm : 93026
- SPEX hoses, M 10 x 1, EP G 3/8", length 350 mm
- Star flow-straightener, M 24 x 1

75070 Solid lever

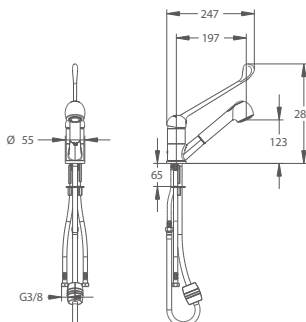
Ceramic cartridge: "Basic" anti-scalding protection via temperature limiter ring (no automatic shut-off in case of cold water supply failure).



75621 Openwork lever



75622 Elbow control



# SINK MIXER TAP



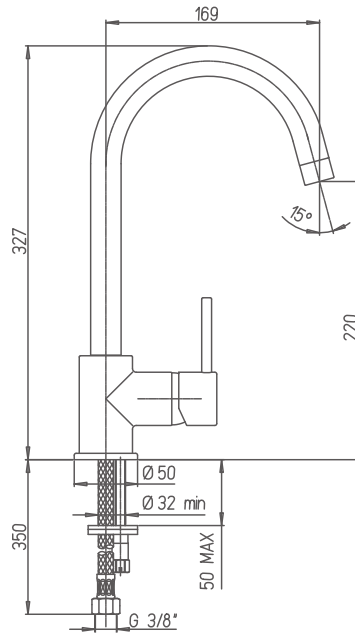
## SWIVEL MIXER TAP WITH HIGH SPOUT

### HEIGHT TO SPOUT 220 mm

- Projection 169 mm
- Swivel spout
- Cartridge Ø 35 mm : 93027
- SPEX hoses, M 10 × 1 nut connection G 3/8", length 400 mm
- Star flow-straightener, M 24 × 1

**75623** Slimline lever

Ceramic cartridge: "Basic" anti-scalding protection via temperature limiter ring (no automatic shut-off in case of cold water supply failure).

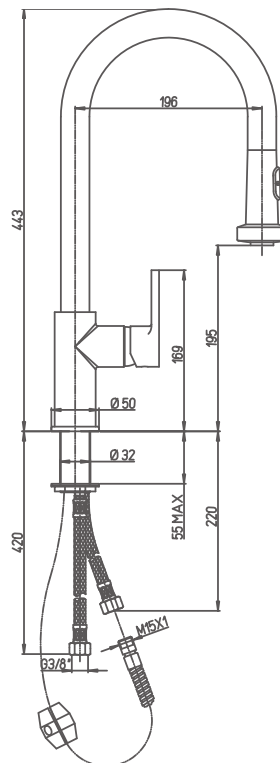


## MIXER TAP WITH PULL-OUT SINK SPRAY

### HEIGHT TO SPOUT 195 mm

- Projection 196 mm
- Swivel spout
- 2-jet sink spray with "flow-straightener"/"rain effect" toggle
- Cartridge Ø 35 mm : 93027
- SPEX hoses, M 10 × 1 nut connection G 3/8", length 515 mm
- Sprayer hose length 1500 mm
- Star flow-straightener, M 24 × 1

**75624** Slimline lever



# SINK MIXER TAP



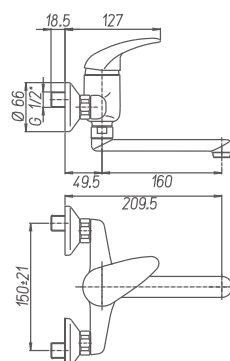
## MIXER TAP WITH EXTRUDED SPOUT

- Swivel spout
- Cartridge Ø 40 mm : 93023
- G 3/4" captive nut
- Supplied with rosettes and G 1/2" - G 3/4" offset connector
- Star flow-straightener, M 24 x 1

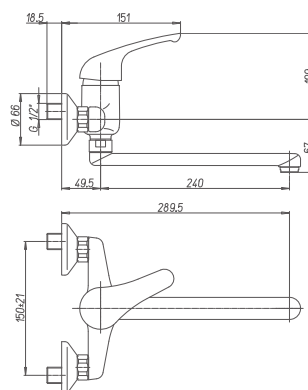
### SOLID LEVER

**75030** Projection 160 mm

Ceramic cartridge: "Basic" anti-scalding protection via temperature limiter ring  
(no automatic shut-off in case of cold water supply failure)



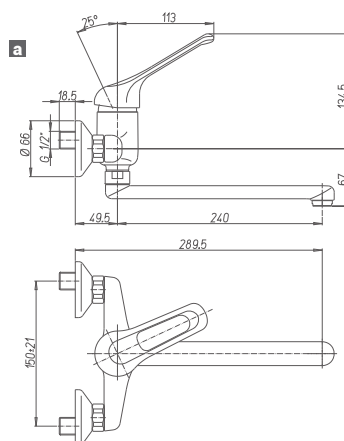
**75096** Projection 240 mm



### OPENWORK LEVER

**75722** Projection 160 mm

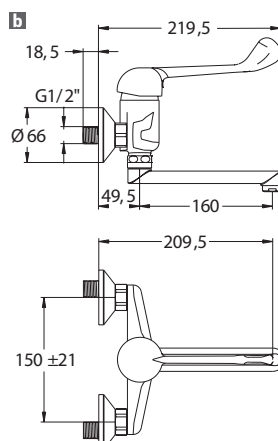
**75627** Projection 240 mm **a**



### ELBOW CONTROL

**75723** Projection 160 mm **b**

**75626** Projection 240 mm



# SINK MIXER TAP



## SINGLE-HOLE MIXER TAP WITH BOTTOM-MOUNTED SMOOTH SWIVEL SPOUT

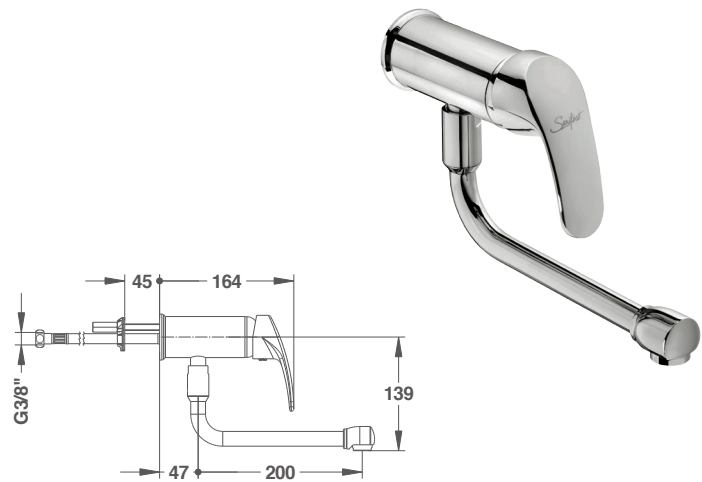
### HAUTEUR SOUS MANETTE 139 mm

- Projection 200 mm
- SPEX hoses, M 10 × 1 EP G 3/8", length 350 mm
- Star flow-straightener, M 24 × 1

75080 Bottom lever

75079 Top lever

Ceramic cartridge: "Basic" anti-scalding protection via temperature limiter ring (no automatic shut-off in case of cold water supply failure).



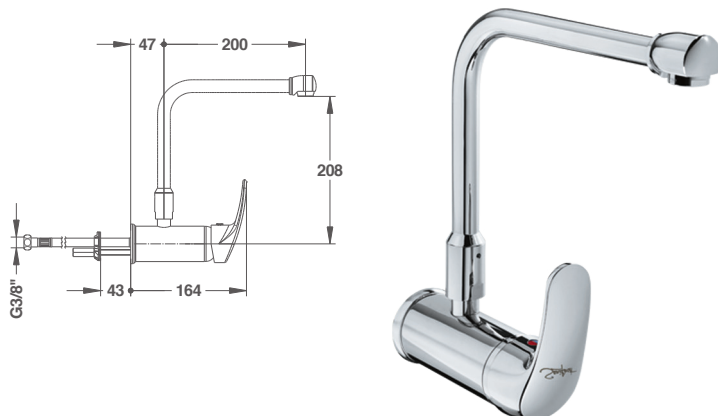
## SINGLE-HOLE MIXER TAP WITH TOP-MOUNTED SMOOTH SWIVEL SPOUT

### HEIGHT TO SPOUT 208 mm

- Projection 200 mm
- SPEX hoses, M 10 × 1 EP G 3/8", length 350 mm
- Star flow-straightener, M 24 × 1

75081 Bottom lever

75082 Top lever



# THERMOSTATIC MIXER TAP



## SINGLE-HOLE WASHBASIN THERMOSTATIC MIXER TAP

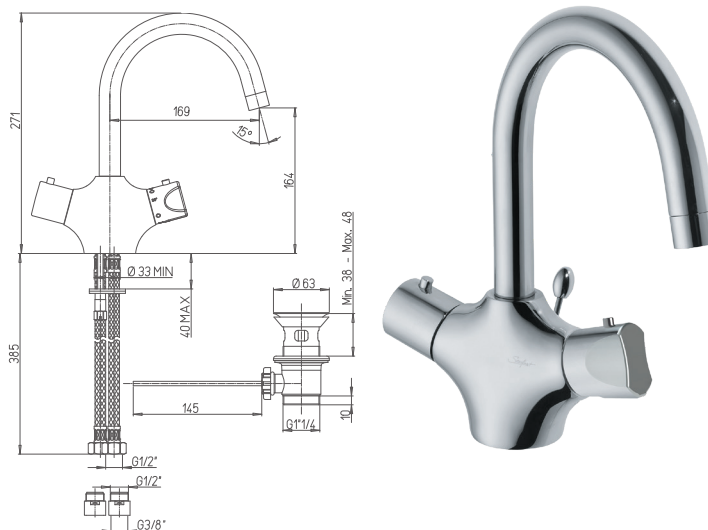
### HEIGHT TO SPOUT 164 mm

- Projection 169 mm
- Thermal shock control knob with double temperature limiter at 38/41°C
- Flow control knob with limiter that can be unlocked mid-flow
- Swivel spout
- Thermostatic cartridge
- G 1/2" hose, length 385 mm

**75630** With NF-compliant brass waste and thermal shock

**75631** Without waste and with thermal shock

Thermostatic cartridge: "Premium" anti-scalding system with automatic shut-off and closure in the event of disconnection of the cold water supply and vice versa.  
Complies with the NF EN 1111 standard.

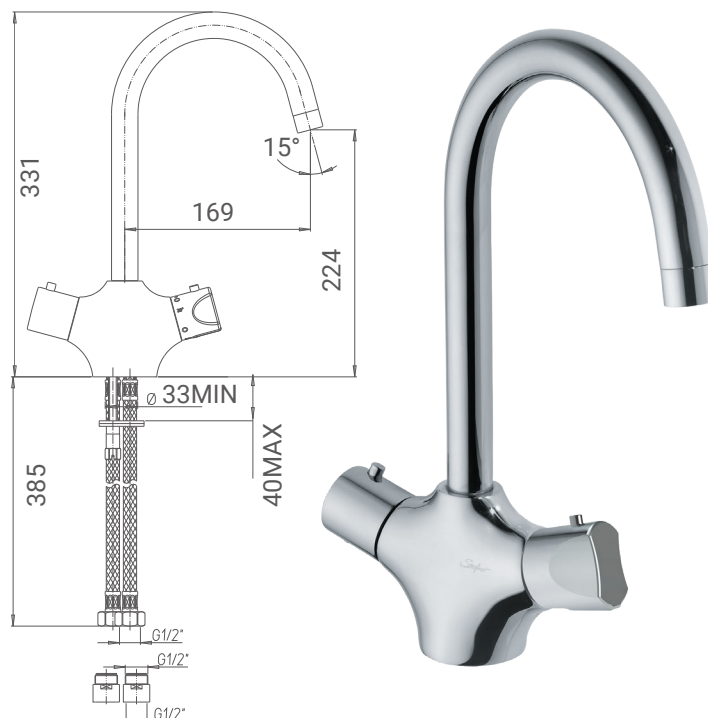


## SINGLE-HOLE SINK THERMOSTATIC MIXER TAP

### HEIGHT TO SPOUT 224 mm

- Projection 169 mm
- Thermal shock control knob with double temperature limiter at 38/41°C
- Flow control knob with limiter that can be unlocked mid-flow
- Swivel spout
- Thermostatic cartridge
- G 1/2" hose, length 385 mm

**75632** Without waste and with thermal shock



# MODUL'MIX SAFE+

NEW

## SINGLE LEVER THERMOSTATIC MIXER:

Combine safety and modularity with our innovative single lever thermostatic mixers!

Anti-scalding protection, enhanced hygiene, and total adaptability to your needs.

Ideal for hospitals, clinics, nursing homes, retirement homes, and maternity wards.

### CARTRIDGE PRINCIPLE:

The mixing chamber is located downstream of the shut-off valve: no pressurized mixing, ensuring precise temperature control.

## ADVANTAGES & BENEFITS

### IMPECCABLE HYGIENE

- Low water retention spout: reduces stagnation and bacterial growth
- Elbow-operated lever: avoids manual contact
- Smooth internal body: limits the risk of bacterial growth
- Star flow-straightener: reduces limescale build-up and impurities

### ENHANCED ANTI-BACTERIAL SAFETY

- No check valves, reducing stagnant water
- Prevents any risk of cross-contamination between hot and cold water supplies
- Integrated flow regulator
- Easy access for thermal shock

### REINFORCED ANTI-SCALDING SAFETY

- Single lever thermostatic cartridge with adjustable limiter for controlled temperature
- Safe thermal shock process

### ADAPTABILITY TO YOUR NEEDS

- Fixed or swivel spout

### ACCESSIBILITY & ERGONOMICS FOR ALL

- Elbow-operated lever designed for PRM (People with Reduced Mobility)



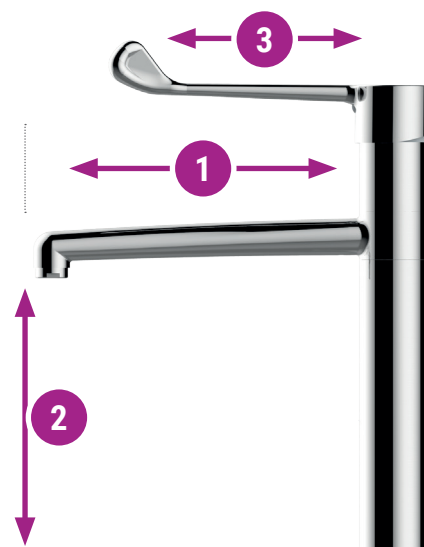
Modul'MIX<sup>®</sup> SAFE<sup>+</sup>  
MasterMIX<sup>®</sup>  
INSIDE

# OVERVIEW

## THE PERFECT OFFER TO MEET YOUR REQUIREMENTS

**Flexibility:**  
universal body adaptable to different spouts and extensions

- 1 Spout length: 150 mm, 200 mm et 250 mm
- 2 Height to spout: 100 mm, 200 mm et 300 mm
- 3 Lever length: 160 mm and 210 mm



## MODUL'MIX SINGLE LEVER THERMOSTATIC MIXER SPARE PARTS

Easily repair your tap with our adapted spare parts



**Medical removable mixer spout**

Projection 150 mm / 200 mm / 250 mm  
Reference 93346 / 93347 / 93348

**Single lever thermostatic cartridge**

Adjustable flow rate  
Ø40 mm  
Reference 93344

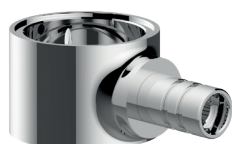
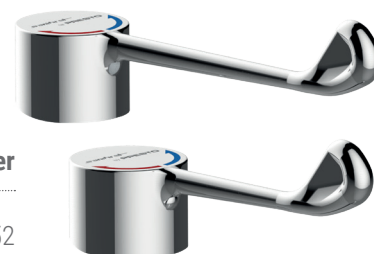


**Extension base**

Reference 93349

**Straight elbow lever**

Reference 93351 / 93352



**Rotating inclined ring**

Reference 93350

# THERMOSTATIC MIXER TAP



All spouts are with low water retention

## MODUL'MIX SAFE+, REMOVABLE SMOOTH SPOUT

### HEIGHT TO SPOUT 100 mm

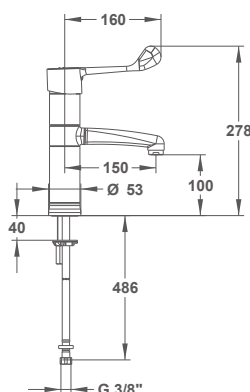
- Without waste
- SPEX hoses, M 10 × 1, EP G 3/8", length 486 mm
- Star flow-straightener, M 24 × 1
- Swivel or fixed spout

### REMOVABLE SPOUT

74074 Projection 150 mm – Elbow control

NEW

Thermostatic cartridge



Trophée de l'innovation Hopitech 2025

NEW

Spout with low water content  
Impeccable hygiene

Modul'MIX<sup>SAFE</sup>  
MasterMIX<sup>®</sup>  
INSIDE

### HEIGHT TO SPOUT 200 mm

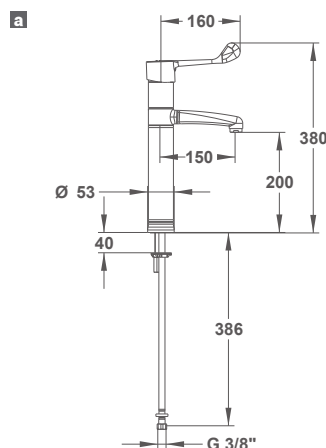
- Elbow control
- Without waste
- SPEX hoses, M 10 × 1, EP G 3/8", length 386 mm
- Star flow-straightener, M 24 × 1
- Swivel or fixed spout

### REMOVABLE SPOUT

74075 Projection 150 mm **a**

74076 Projection 200 mm

NEW



Trophée de l'innovation Hopitech 2025

NEW

Spout with low water content  
Impeccable hygiene

Modul'MIX<sup>SAFE</sup>  
MasterMIX<sup>®</sup>  
INSIDE

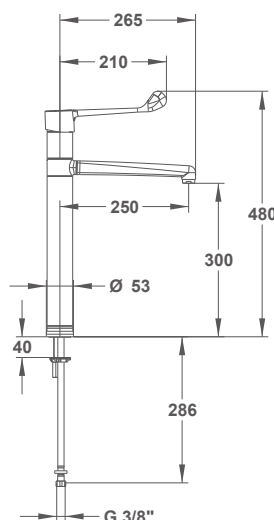
### HEIGHT TO SPOUT 300 mm

- Elbow control
- Without waste
- SPEX hoses, M 10 × 1, EP G 3/8", length 286 mm
- Star flow-straightener, M 24 × 1
- Swivel or fixed spout

### REMOVABLE SPOUT

74077 Projection 250 mm

NEW



Trophée de l'innovation Hopitech 2025

NEW

Spout with low water content  
Impeccable hygiene

Modul'MIX<sup>SAFE</sup>  
MasterMIX<sup>®</sup>  
INSIDE



# THERMOSTATIC MIXER TAP



## SINGLE-HOLE WASHBASIN THERMOSTATIC MIXER TAP

**HEIGHT TO SPOUT : 191 mm**

- Body with smooth interior
- Cartridges : ceramic and thermostatic
- No intercommunication possible between DHW and DCW
- Temperature limiter at 41°C
- Can only be unlocked by technical services for thermal shock

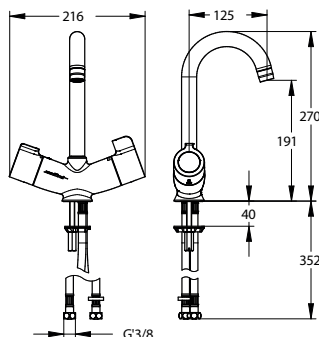
75952 Without waste – NF M\*

- i** Anti-scalding system  
Protects the water networks  
Easy to maintain

\* Certified products Medical environments

- i** E.C.A.U. M classification: E00 Ch2 A1 U3

Thermostatic cartridge: "Premium" anti-scalding system with automatic shut-off and closure in the event of disconnection of the cold water supply and vice versa.  
Complies with the NF EN 1111 standard.



MasterMiX.

## SINGLE-HOLE WASHBASIN THERMOSTATIC MIXER TAP

**HEIGHT TO SPOUT : 172 mm**

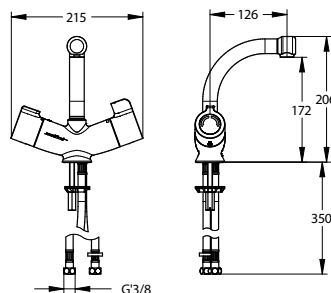
- Body with smooth interior
- Cartridges: ceramic and thermostatic
- No intercommunication possible between DHW and DCW
- Temperature limiter at 41°C
- Can only be unlocked by technical services for thermal shock

75922 Swivel spout

74031 Fixed spout

- i** Low spout - suitable for psychiatric hospitals

- i** Red/blue markings visible to the user. Intuitive temperature control.



MasterMiX.

## SINGLE-HOLE WASHBASIN THERMOSTATIC MIXER TAP

**HEIGHT TO SPOUT : 172 mm**

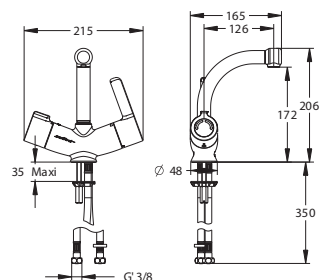
- Body with smooth interior
- Cartridges: ceramic and thermostatic
- No intercommunication possible between DHW and DCW
- Temperature limiter at 41°C
- Can only be unlocked by technical services for thermal shock
- Long ergonomic lever

74040 Swivel spout

74030 Fixed spout

- i** Low spout - suitable for psychiatric hospitals

- i** Red/blue markings visible to the user. Intuitive temperature control.



MasterMiX.

# THERMOSTATIC MIXER TAP



TAPWARE FOR WASHBASINS,  
HANDBASINS, SINKS AND TROUGHS

## SINGLE-HOLE BABY BATH THERMOSTATIC MIXER TAP

**HEIGHT TO SPOUT : 226 mm**

- 2 jet pull-out shower head
- Body with smooth interior
- Cartridges: ceramic and thermostatic
- No intercommunication possible between DHW and DCW
- Temperature limiter at 41°C
- Can only be unlocked by technical services for thermal shock

**74051** Deck mounted with pull-out shower head

- i** Anti-scalding system  
Protects the water networks  
Easy to maintain

**VALIDATION  
CSTB\***

\* French Scientific and Technical Centre for Buildings

**74047** Deck mounted with pull-out shower head -  
Smooth black hose

- i** Anti-scalding system  
Protects the water networks  
Easy to maintain

**VALIDATION  
CSTB\***

\* French Scientific and Technical Centre for Buildings

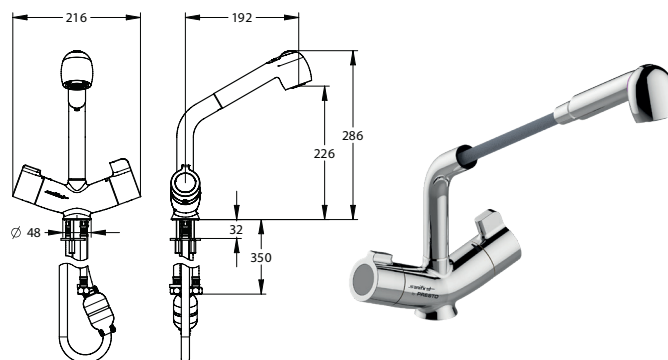
**HEIGHT TO SPOUT : 227 mm**

- 2 jet pull-out shower head
- Body with smooth interior
- Cartridges: ceramic and thermostatic
- No intercommunication possible between DHW and DCW
- Temperature limiter at 41°C
- Can only be unlocked by technical services for thermal shock

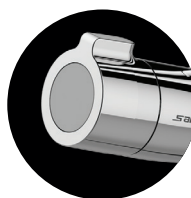
**74080** Deck mounted with pull-out shower head -  
Braided hose

- i** Limite la prolifération bactérienne.

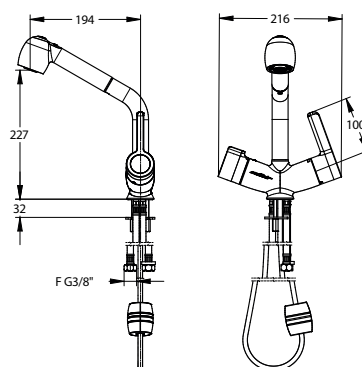
Thermostatic cartridge: "Premium" anti-scalding system with automatic shut-off and closure in the event of disconnection of the cold water supply and vice versa.  
Complies with the NF EN 1111 standard.



MasterMiX®



MasterMiX®



MasterMiX®

**93293** Smooth black hose

**93324** Braided hose



MASTERMIX IS IDEAL FOR MATERNITY AND INFANT CARE FACILITIES...

# THERMOSTATIC MIXER TAP



## WALL-MOUNTED WASHBASIN THERMOSTATIC MIXER TAP

- Upward-pointing lever, removable swivel spout underneath
- Cartridges: ceramic and thermostatic
- Span: 150 mm
- Star flow-straightener, M 24 × 1
- Offset M 1/2" connectors with chrome-plated rosettes and filter seals
- Thermal shock protection

75117 Thermal shock version

- Volant de température déverrouillable de 38° à 48°
- Mousseur, M 24 × 1

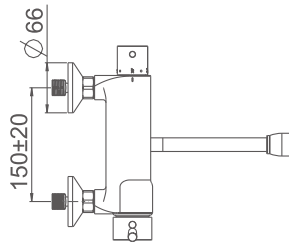
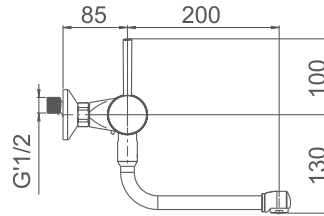
75310 Accommodation version

- **Anti-scalding system**  
Protects the water networks  
Easy to maintain

**VALIDATION**  
CSTB\*

\* French Scientific and Technical Centre for Buildings

Thermostatic cartridge: "Premium" anti-scalding system with automatic shut-off and closure in the event of disconnection of the cold water supply and vice versa.  
Complies with the NF EN 1111 standard.



MasterMiX.

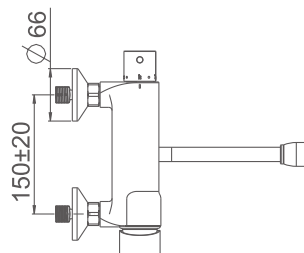
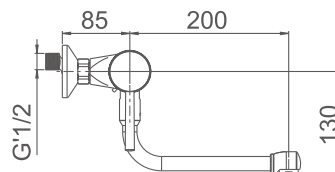
- Downward-pointing lever, removable swivel spout underneath
- Cartridges: ceramic and thermostatic
- Span: 150 mm
- Star flow-straightener, M 24 × 1
- Offset M 1/2" connectors with chrome-plated rosettes and filter seals
- Thermal shock protection

75317 Thermal shock version

- **Anti-scalding system**  
Protects the water networks  
Easy to maintain

**VALIDATION**  
CSTB\*

\* French Scientific and Technical Centre for Buildings



MasterMiX.

MasterMiX<sup>®</sup>  
INSIDE

**TUNIQUE PATENTED TECHNOLOGY**  
**LIMITS BACTERIAL GROWTH**

# THERMOSTATIC MIXER TAP



## WALL-MOUNTED WASHBASIN THERMOSTATIC MIXER TAP

- Cold body with smooth interior
- Cartridges : ceramic and thermostatic
- No intercommunication possible between DHW and DCW
- Temperature limiter at 41°C
- Can only be unlocked by technical services for thermal shock

75948 Exposed bottom outlet- NF M\* a

75963 Version with M 3/4 fasteners - without stop valve

\* "Plug & Play" mounting plate (see p 87)

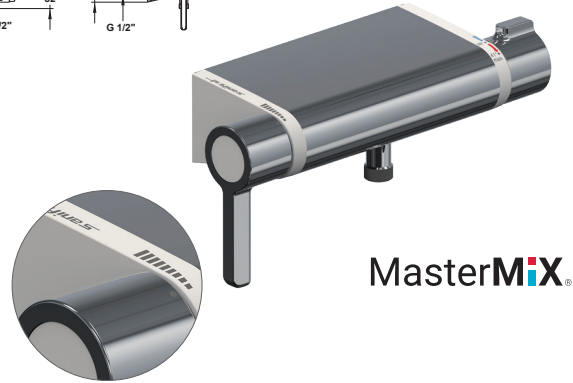
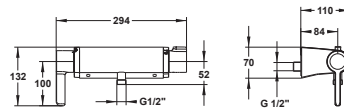
**i** Anti-scalding system  
Protects the water networks  
Easy to maintain

\* Certified products Medical environments

**i** E.C.A.U. M classification: E00 Ch2 A1 U3

Thermostatic cartridge: "Premium" anti-scalding system with automatic shut-off and closure in the event of disconnection of the cold water supply and vice versa.  
Complies with the NF EN 1111 standard.

a



MasterMix®

## ACCESSORIES

75704 Downward-swivel spout -  
Projection 200 mm \*\*



# SENSOR MIXER TAP



## SINGLE-HOLE MIXER TAP WITH REMOVABLE SMOOTH SPOUT

### HEIGHT TO SPOUT 200 mm

- 2 solenoid valves to guarantee network safety
- Cartridge Ø 40 mm: 93023
- SPEX hoses, M 10 × 1 EP G 3/8", length 480 mm
- Star flow-straightener, M 24 × 1
- Elbow control avec mitigeage horizontal

#### MAINS

75870 Projection 150 mm

75871 Projection 200 mm

75872 Projection 250 mm

#### BATTERY

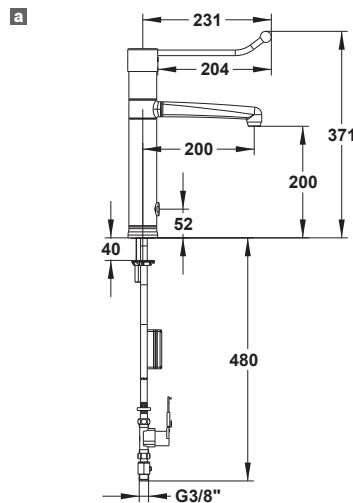
75873 Projection 150 mm

75874 Projection 200 mm **a**

75875 Projection 250 mm

- i** Temperature selection via horizontal movement. Practical: no need to lift the control.

Ceramic cartridge: "Basic" anti-scalding protection via temperature limiter ring (no automatic shut-off in case of cold water supply failure).



**NEW**  
Spout with low water content  
Impeccable hygiene

Modul'MiX®

### HEIGHT TO SPOUT 300 mm

- 2 solenoid valves to guarantee network safety
- Cartridge Ø 40 mm: 93023
- SPEX hoses, M 10 × 1 EP G 3/8", length 650 mm
- Star flow-straightener, M 24 × 1
- Elbow control avec mitigeage horizontal

#### MAINS

75879 Projection 150 mm

75880 Projection 200 mm

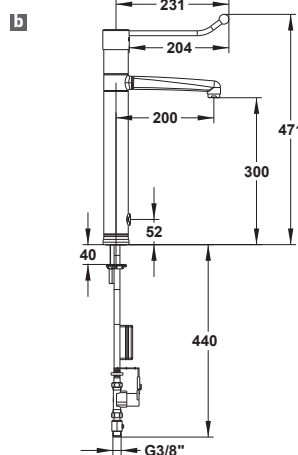
75881 Projection 250 mm

#### BATTERY

75882 Projection 150 mm

75883 Projection 200 mm **b**

75884 Projection 250 mm



**NEW**  
Spout with low water content  
Impeccable hygiene

Modul'MiX®



- 1 Temperature selection via horizontal movement. Practical: no need to lift the control.
- 2 Wave hand across to trigger the water.

**OPTIMUM HYGIENE**

# SENSOR MIXER TAP



## SINGLE-HOLE MIXER TAP WITH REMOVABLE SMOOTH SPOUT

### HEIGHT TO SPOUT 100 mm

- 2 solenoid valves to guarantee network safety
- Cartridge Ø 40 mm: 93023
- SPEX hoses, M 10 × 1 EP G 3/8", length 500 mm
- Star flow-straightener, M 24 × 1
- Short lever

#### MAINS

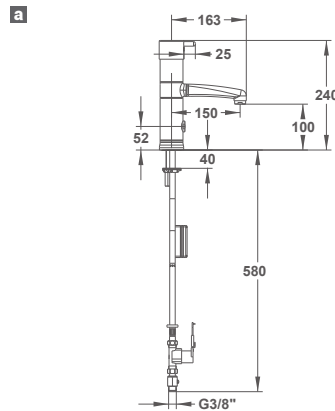
75147 Projection 150 mm

#### BATTERY

75163 Projection 150 mm **a**

75164 Projection 200 mm

Ceramic cartridge: "Basic" anti-scalding protection via temperature limiter ring (no automatic shut-off in case of cold water supply failure).



**NEW**  
Spout with low water content  
Impeccable hygiene

Modul'MiX®

### HEIGHT TO SPOUT 200 mm

- 2 solenoid valves to guarantee network safety
- Cartridge Ø 40 mm : 93023
- SPEX hoses, M 10 × 1 EP G 3/8", length 650 mm
- Star flow-straightener, M 24 × 1
- Short lever

#### MAINS

75151 Projection 150 mm

75153 Projection 200 mm

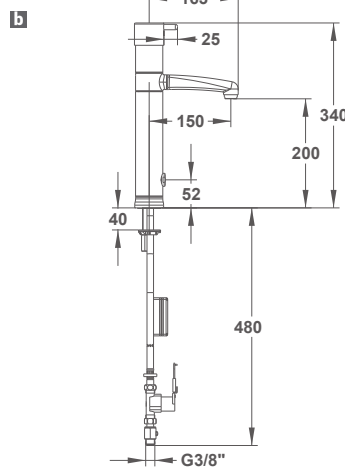
75156 Projection 250 mm

#### BATTERY

75167 Projection 150 mm **b**

75169 Projection 200 mm

75171 Projection 250 mm



**NEW**  
Spout with low water content  
Impeccable hygiene

Modul'MiX®

### HEIGHT TO SPOUT 300 mm

- 2 solenoid valves to guarantee network safety
- Cartridge Ø 40 mm: 93023
- SPEX hoses, M 10 × 1 EP G 3/8", length 650 mm
- Star flow-straightener, M 24 × 1
- Short lever

#### MAINS

75159 Projection 150 mm **c**

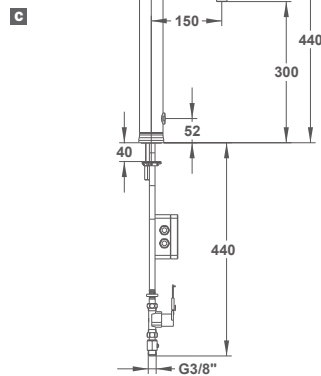
75161 Projection 200 mm

75182 Projection 250 mm

#### BATTERY

75175 Projection 200 mm

75177 Projection 250 mm




**NEW**  
Spout with low water content  
Impeccable hygiene

Modul'MiX®

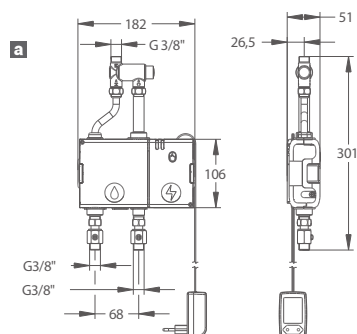
# MIXER TAP AND ELECTRONIC BOX



## PREMIXER ONLY

- 74005** Electronic Box « MASTERMIX » for electronic taps – mains-powered 
- 74006** Electronic Box « MASTERMIX » for electronic taps – battery-powered

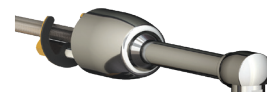
**i** Aesthetic and secure pre-mixer case to reduce risks of intercommunication between Hot Water and Cold Water, and consequently bacterial growth.



### ANTIBACTERIAL SAFETY

#### "MASTERMIX" function:

Absence of a mixing chamber under pressure upstream of the shutter (standard NF Medical requirement). No check valve.



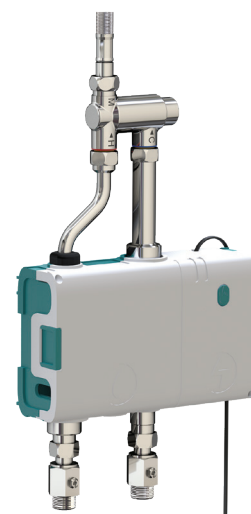
### ANTISCALDING SAFETY

Thermostatic regulator "Minitherm": instantaneous stop of hot water in case of cold water cut-off.  
Secure thermal shock: accessible only by technical services.



### EASY MAINTENANCE

Integrated 1/4 turn stop valve and thermostatic regulator "Minitherm" technician accessible by technical services.

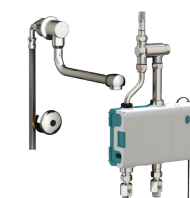
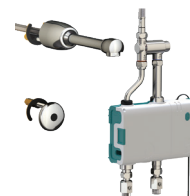


Compatible with our electronic discharged, securing surgical troughs, sinks and other point of use.

# SPOUTS COMPATIBLES WITH THE ELECTRONIC BOX

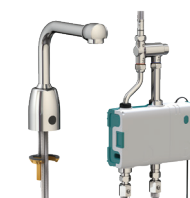
## KIT ELECTRONIC TAP + PREMIXER BOX - WALL-MOUNTED

Ref.	Spout	Projection	Spout height	Power supply
74018	Fixed smooth	200 mm		Mains-powered
74019	Fixed smooth	200 mm		Battery-powered
74020	Top inlet Fixed smooth	200 mm	170 mm	Mains-powered
74021	Top inlet Fixed smooth	200 mm	170 mm	Battery-powered
74022	Top inlet Swivel smooth	200 mm	170 mm	Mains-powered
74023	Top inlet Swivel smooth	200 mm	170 mm	Battery-powered
74024	Bottom inlet Fixed smooth	200 mm	100 mm	Mains-powered
74025	Bottom inlet Fixed smooth	200 mm	100 mm	Battery-powered
74026	Bottom inlet Swivel smooth	200 mm	100 mm	Mains-powered
74027	Bottom inlet Swivel smooth	200 mm	100 mm	Battery-powered



## KIT ELECTRONIC TAP + PREMIXER BOX - DECK-MOUNTED

Ref.	Spout	Projection	Spout height	Power supply
74014	Fixed Single discharge	147 mm	122 mm	Mains-powered
74015	Fixed Single discharge	147 mm	122 mm	Battery-powered
74016	Fixed Mixer tap	147 mm	122 mm	Mains-powered
74017	Fixed Mixer tap	147 mm	122 mm	Battery-powered
The 2 references 74016 and 74017 do not include thermostatic regulators				
74008	Fixed smooth	150 mm	150 mm	Mains-powered
74009	Fixed smooth	150 mm	150 mm	Battery-powered
74010	Fixed smooth	200 mm	200 mm	Mains-powered
74011	Fixed smooth	200 mm	200 mm	Battery-powered
74012	Swivel smooth	200 mm	200 mm	Mains-powered
74013	Swivel smooth	200 mm	200 mm	Battery-powered



# SENSOR SPOUT



## SINGLE-HOLE REMOVABLE SMOOTH SENSOR SPOUT

### HEIGHT TO SPOUT 150 mm

- Projection 150 mm
- SPEX hoses, M 10 × 1, EP G 3/8", length 350 mm
- Star flow-straightener, M 24 × 1

### FIXED SPOUT

75203 Mains-powered

75207 Battery-powered

### HEIGHT TO SPOUT 200 mm

- Projection 200 mm
- SPEX hoses, M 10 × 1, EP G 3/8", length 350 mm
- Star flow-straightener, M 24 × 1

### FIXED SPOUT

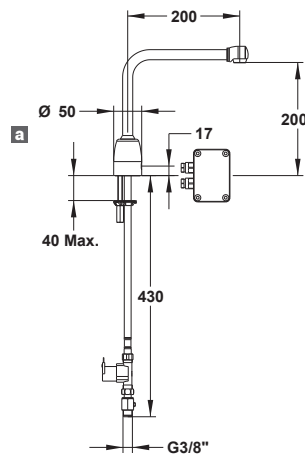
75201 Mains-powered **a**

75205 Battery-powered

### SWIVEL SPOUT

75202 Mains-powered

75206 Battery-powered

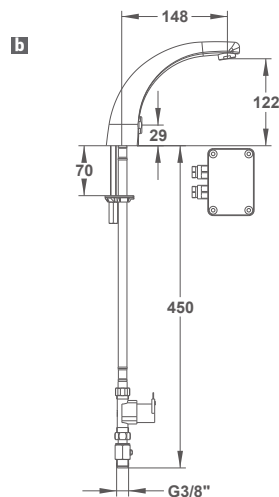


## SINGLE-HOLE REMOVABLE CAST SENSOR SPOUT - HEIGHT TO SPOUT 122 mm

- Projection 147 mm
- SPEX hoses, M 10 × 1, EP G 3/8", length 350 mm
- Star flow-straightener, M 24 × 1

75209 Mains-powered **b**

75211 Battery-powered



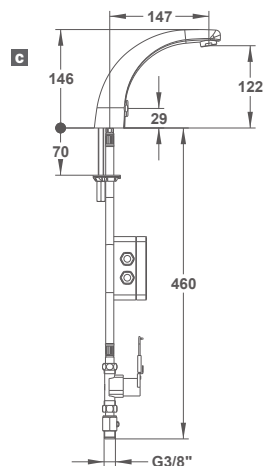
## SENSOR MIXER TAP WITH CAST SPOUT - HEIGHT TO SPOUT 122 mm

### 2 solenoid valves

- Integrated temperature adjustment
- Projection 147 mm
- SPEX hoses, M 10 × 1, EP G 3/8", length 350 mm
- Star flow-straightener, M 24 × 1

75210 Mains-powered **c**

75212 Battery-powered



# SENSOR SPOUT



## SINGLE-HOLE SMOOTH SENSOR SPOUT

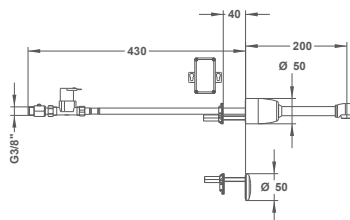
### STRAIGHT SPOUT

- Projection 200 mm
- SPEX hoses, M 10 × 1
- Solenoid valve connection M G 3/8" – length 350 mm
- Star flow-straightener, M 24 × 1

75218 Mains-powered

75219 Battery-powered

**a**



**a**



## WALL-MOUNTED SMOOTH SENSOR SPOUT - TOP OUTLET

### HEIGHT TO SPOUT 170 mm

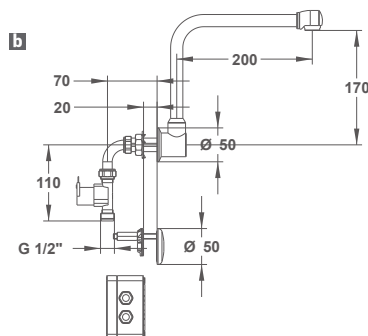
- Projection 200 mm
- Connection bec M G 1/2"
- Connection électrovanne M G 3/8"
- Star flow-straightener, M 24 × 1

75223 Mains-powered – Fixed spout

**b**

75224 Mains-powered – Swivel and removable spout

75226 Battery-powered – Swivel and removable spout



# SINGLE-FLUID HOSPITAL TAP

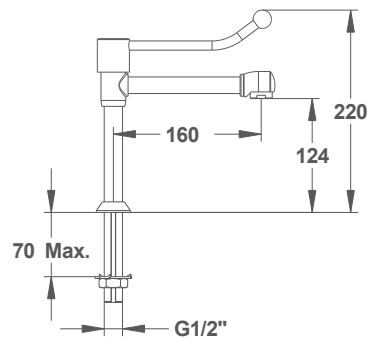


## SINGLE-HOLE SINGLE-FLUID TAP WITH SMOOTH SPOUT

### HEIGHT TO SPOUT 124 mm

- Projection 160 mm
- Fixed spout
- Elbow control
- Connection M G 1/2"
- Star flow-straightener, M 24 x 1
- Elbow control for horizontal opening/closing

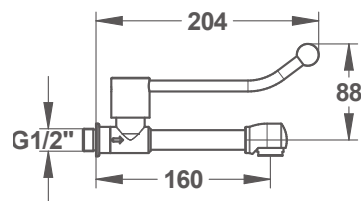
75179 Deck-mounted



## WALL-MOUNTED SINGLE-FLUID TAP WITH SMOOTH SPOUT

- Projection 160 mm
- Fixed spout
- Elbow control
- Connection M G 1/2"
- Star flow-straightener, M 24 x 1
- Elbow control for horizontal opening/closing

75178 Wall-mounted



# HOSPITAL SPOUT



## SINGLE-HOLE REMOVABLE SMOOTH SPOUT

- SPEX hoses, EP G 3/8", length 350 mm
- Star flow-straightener, M 24 x 1

### HEIGHT TO SPOUT 124 mm

- Projection 150 mm

75191 Fixed spout

75193 Swivel spout

### HEIGHT TO SPOUT 200 mm

- Projection 200 mm

75186 Fixed spout 

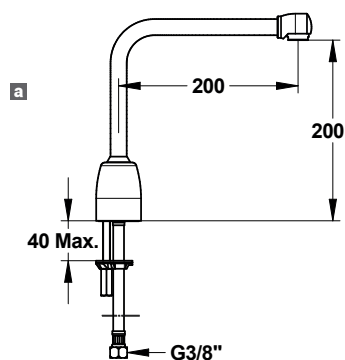
75189 Swivel spout

### HEIGHT TO SPOUT 250 mm

- Projection 200 mm

75196 Fixed spout

75199 Swivel spout

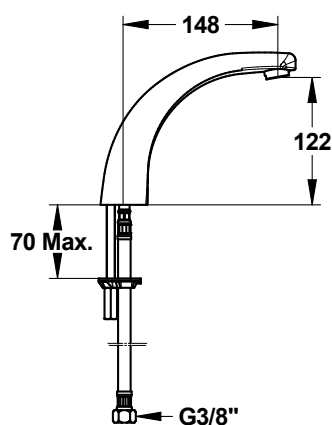


## MONOTROU À BEC FONDU FIXE

### HEIGHT TO SPOUT 122 mm

- Projection 148 mm
- SPEX hoses, EP G 3/8", length 350 mm
- Star flow-straightener, M 24 x 1

75208 Sur plaque



# HOSPITAL SPOUT



## WALL-MOUNTED SMOOTH TUBULAR SPOUT

- Connection M G 1/2"
- Star flow-straightener, M 24 x 1
- Projection 200 mm

### HEIGHT TO SPOUT 170 mm

- Projection 200 mm

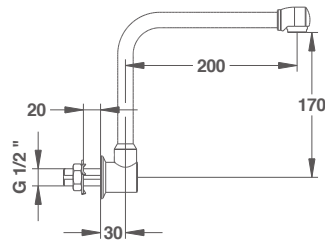
**75220** Fixed and removable

**75221** Swivel and removable

### HEIGHT TO SPOUT 117 mm

- Projection 150 mm

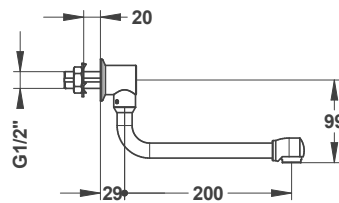
**75222** Fixed and removable



## WALL-MOUNTED SMOOTH TUBULAR SPOUT

- Projection 200 mm
- Connection M G 1/2"
- Star flow-straightener, M 24 x 1

**75230** SWIVEL SPOUT et démontable

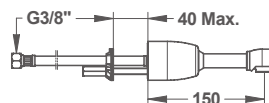


## WALL-MOUNTED SMOOTH TUBULAR SPOUT

- SPEX hoses, M 10 x 1, M G 1/2", length 350 mm
- Star flow-straightener, M 24 x 1
- Removable spout

**75216** Projection 150 mm

**75213** Projection 200 mm



# REMOTE CONTROL



## MIXER TAP FOR REMOTE CONTROL

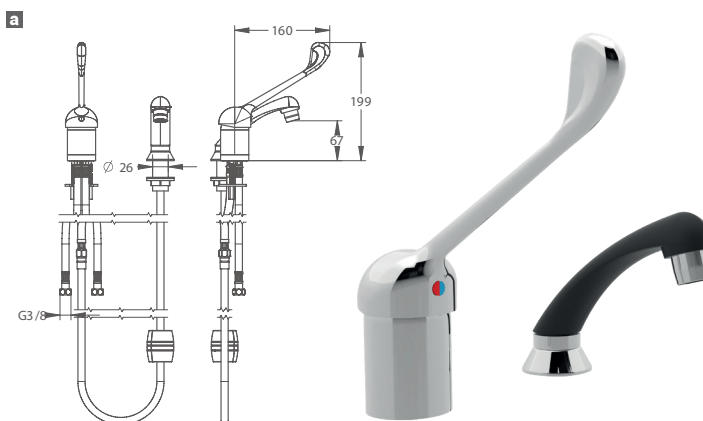
- Cartridge Ø 40 mm 93026
- SPEX hoses, M 10 × 1, EP G 3/8", length 350 mm
- Sink spray outlet hoses M 10 × 1, EP G 15/1"

**75092** Mixer tap only

**75093** Mixer tap with offset "hairdresser" sink spray

**75095** Mixer tap with offset "hairdresser" sink spray – Elbow control a

Ceramic cartridge: "Basic" anti-scalding protection via temperature limiter ring (no automatic shut-off in case of cold water supply failure).

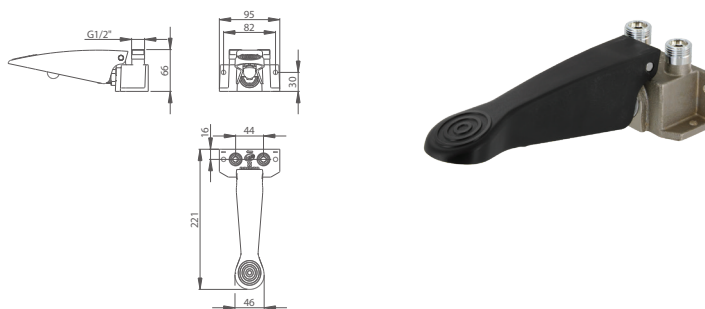


## FOOT OPERATED VALVE

- Male inlet G 1/2" (15 × 21) for cold, hot or premixed water
- Antiwater hammer device

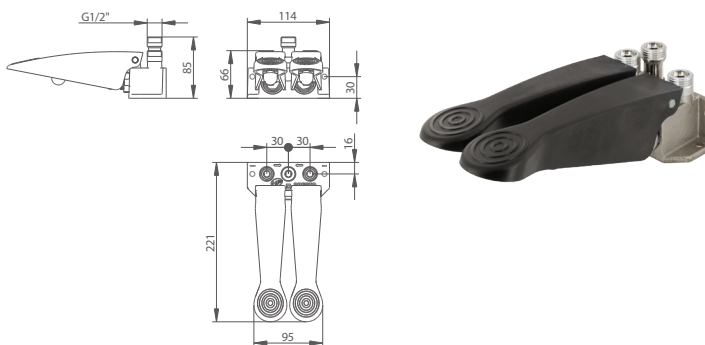
**23614** Presto Sol 520 - single pedal – NF/II\*

Robinetterie temporisée mécanique :  
L'écoulement de l'eau est déclenché par une simple pression de l'utilisateur, et s'arrête automatiquement après une durée déterminée



**23644** Presto Sol 530 -dual pedal – NF/II\*

\* Certified products



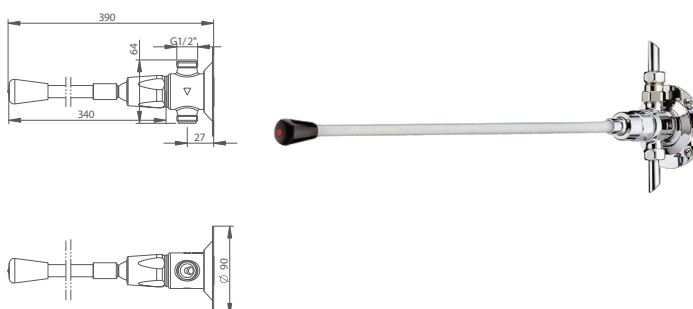
## KNEE OPERATED TIMED-FLOW TAP

- Male inlet and outlet 1/2" (15 × 21) for cold, hot or premixed water
- Antiwater hammer device

**31683** L1 = 390 mm – L2 = 340 mm – NF/II\*

**31646** L1 = 560 mm – L2 = 510 mm

\* Certified products



# FIRST LABO - DRINKING WATER



## MIXER TAP

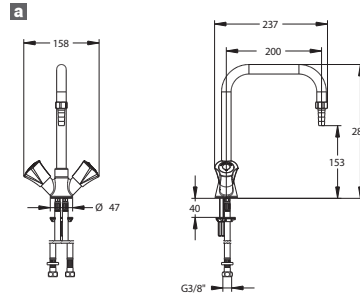
### REMOVABLE NOZZLE

- Hoses SPEX braided stainless steel, M10X1, EP G 3/8", L 600mm
- Max. tightening 40 mm
- Nozzle removable  $\varnothing$  10 mm
- Tube  $\varnothing$  20 mm
- Smooth spout fixed or swivel (by clamping screw)
- Smooth body
- Check valve

721201 Projection 200 mm **a**

721211 Projection 250 mm

### NEW



## CANDELSTICK

### 2 VALVES - NOZZLE FIXED + REMOVABLE

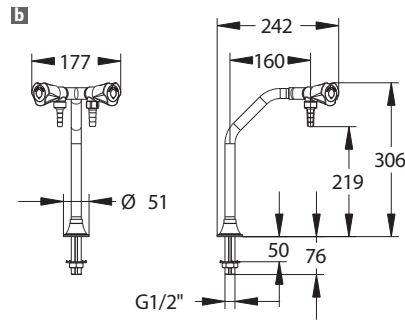
- Connection M G 1/2"
- Max. tightening 50 mm
- Nozzle fixed  $\varnothing$  6 mm
- Nozzle removable  $\varnothing$  10 mm
- Tube  $\varnothing$  20 mm
- Fixed spout

721011 Projection 160 mm **b**

721021 Projection 210 mm

721031 Projection 260 mm

### NEW

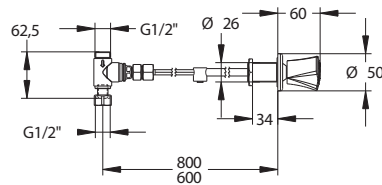


## REMOTE CONTROL WITH TELESCOPIC ROD

- Connection M G 1/2"
- Max. tightening 34 mm
- Length 600 - 800 mm

721231

### NEW



**i** The taps illustrated in the catalogue are equipped with a black body. The taps are available in grey (2) and white (3).  
The last number of the reference corresponds to the wanted colour. For example : 721071 (black) 721072 (grey) 721073 (white).

# FIRST LABO - COMPRESSED AIR



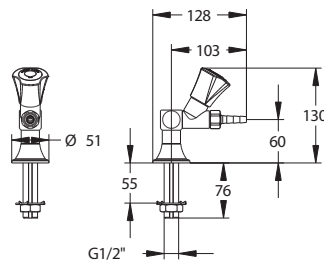
## DECK-MOUNTED TAP

### SINGLE TAP - REMOVABLE NOZZLE

- Connection M G 1/2"
- Max. tightening 55 mm
- Nozzle removable Ø 6 mm

726021 Projection 103 mm

NEW

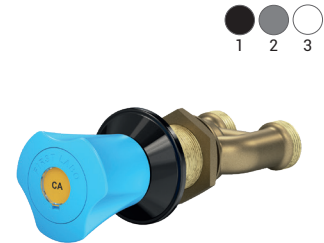
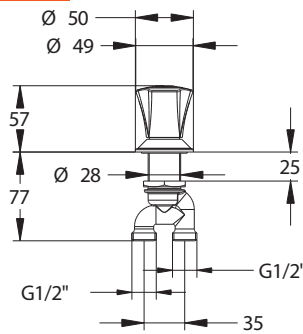


## PANEL-MOUNTED REMOTE CONTROL

- Connection M G 1/2"
- With tightening nut

726011

NEW



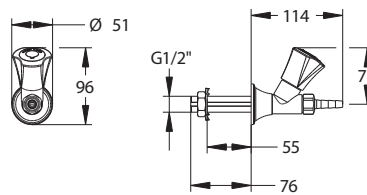
## WALL-MOUNTED TAP

### SINGLE TAP - REMOVABLE NOZZLE

- Connection M G 1/2"
- Max. tightening 55 mm
- Nozzle removable Ø 6 mm

726041 Projection 114 mm

NEW



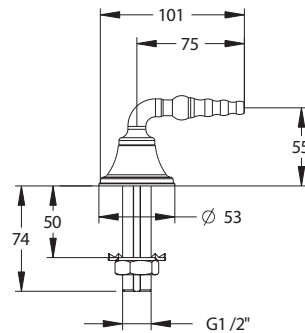
## DECK-MOUNTED ANGLED NOZZLE

### FIXED NOZZLE

- Connection M G 1/2"
- Max. tightening 50 mm
- Nozzle Ø 6 mm

726051 Projection 75 mm

NEW

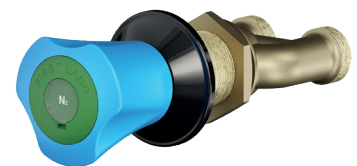
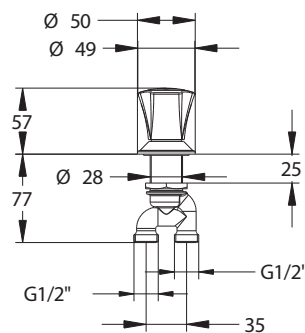


## PANEL-MOUNTED REMOTE CONTROL

- Connection M G 1/2"
- With tightening nut

727011

NEW

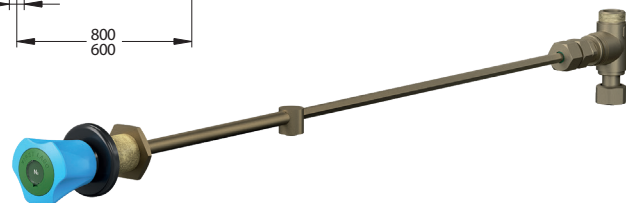
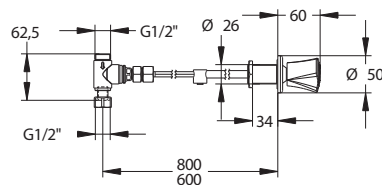


## REMOTE CONTROL WITH TELESCOPIC ROD

- Connection M G 1/2"
- Max. tightening 34 mm
- Length 600 - 800 mm

727061

NEW



**i** The taps illustrated in the catalogue are equipped with a black body. The taps are available in grey (2) and white (3).  
The last number of the reference corresponds to the wanted colour. For example : 721071 (black) 721072 (grey) 721073 (white).

# FIRST LABO - SINKS



## SINGLE SINK WITHOUT OVERFLOW (DELIVERED WITHOUT PLUG)

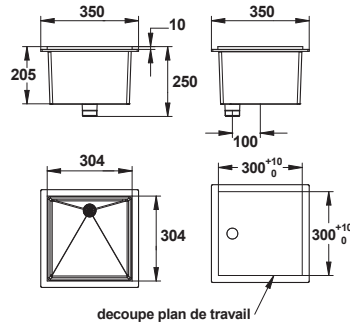
R3 / 300 × 300 mm / WALL OUTLET

77017 ● Black

77015 ○ White

77016 ● Grey

**i** Delivered without plug



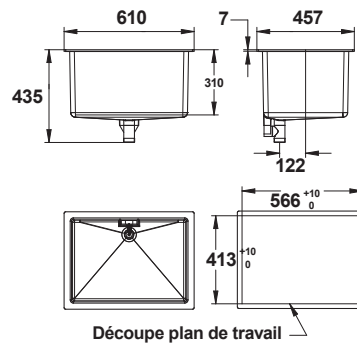
## SINGLE SINK WITH OVERFLOW AND PLUG

BA3 / 450 × 600 mm / WALL OUTLET

77033 ● Black

77031 ○ White

77032 ● Grey







# SHOWER, BATH-SHOWER TAPWARE

<b>SELECTION GUIDE</b>	<b>74</b>
<b>CHARACTERISTICS MASTERMIX®</b>	<b>7</b>
<b>CERAMIC TECHNOLOGY</b>	
SHOWER MIXER TAP	78
BATH-SHOWER MIXER TAP	81
SHOWER PANEL	94
<b>THERMOSTATIC TECHNOLOGY</b>	
SHOWER MIXER TAP	82
BATH-SHOWER MIXER TAP	91
SHOWER PANEL	93

# SELECTION GUIDE

## MECHANICAL SHOWERS



SOLID  
p 78



OPENWORK  
p 78



SOLID  
p 78



SHOWER KIT  
p 79



SHOWER KIT  
p 79



SINGLE-HOLE  
p 80

---

## BATH-SHOWER



WALL-MOUNTED  
MECHANICAL  
p 81



DECK-MOUNTED  
MECHANICAL  
p 81

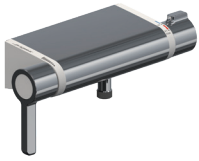


WALL-MOUNTED  
THERMOSTATIC  
p 91

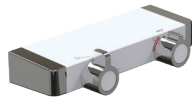


Sensitive tapware

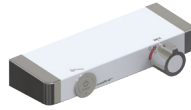
## THERMOSTATIC SHOWERS



EXPOSED  
p 84



TABLET  
p 86



TABLET TOUCH  
p 86



SHOWER KIT  
p 85



SHOWER KIT  
p 87



SHOWER KIT  
p 88



EXPOSED  
p 82



SHOWER KIT  
p 83



SHOWER KIT  
p 83



EXPOSED  
p 90



SHOWER KIT  
p 91

MasterMiX®

SHOWER, BATH-SHOWER  
TAPWARE

## SHOWER PANEL



PRESTOTEM® 2  
TOUCH® MASTERMIX®  
p 93



PRESTOTEM® 2  
DUAL CONTROL MASTERMIX®  
p 93

MasterMiX®



PRESTOTEM® 2  
SINGLE CONTROL  
p 94



ACCESSORIES  
PRESTOTEM® 2  
p 95

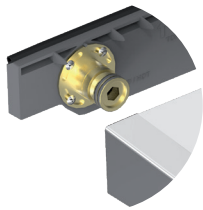
	Ref. 74050	Ref. 75112	Ref. 75948	Ref. 75950	Ref. 75951
					
Size	254 x 106 mm	254 x 85 mm	295 x 108 mm	338 x 110 mm (without knob) 338 x 150 mm (with knob)	338 x 110 mm (without knob) 338 x 150 mm (with knob)
Exterior materials	Chrome-plated brass	Chrome-plated brass	<ul style="list-style-type: none"> <li>• PBT</li> <li>• Chrome-plated zamak</li> <li>• ABS white</li> </ul>	<ul style="list-style-type: none"> <li>• PBT</li> <li>• Chrome-plated zamak</li> <li>• ABS white</li> </ul>	<ul style="list-style-type: none"> <li>• PBT</li> <li>• Chrome-plated zamak</li> <li>• ABS white</li> </ul>
Main surfaces in contact with water	Brass	Brass	Brass	Brass	Brass
NF certification for medical environments	✓	✗			✗
Thermal shock protection	✓	✓	✓	✓	✓
Changing the cartridge without shutting off the water	✓	✓	✓	✓	✓
38°C limiter	✗	✓	✗	✗	✗
41°C limiter	✓	✗	✓	✓	✓
Automatic rinsing	✗	✗	✗	✗	✓
Mounting plate	✗	✗	✓	✓	✓
Flow control	✓	✓	✓	✓	✓
Flow time control	✗	✗	✗	✗	✓
Cold body	✓	✓	✓ ✓	✓ ✓	✓ ✓
Smooth interior	✗	✗	✓	✓	✓
Integrated stop valves	✗	✗	✓	✓	✓
Tablet function (shower gel holder)	✗	✗	✗	✓	✓
Controlled flow rate for water savings	✓ ✓	✓	✓ ✓	✓ ✓	✓ ✓ ✓

# LOVE WATER SAFELY

NEW GENERATION  
OF THERMOSTATIC MIXER TAPS SANIFIRST®

## BENEFITS

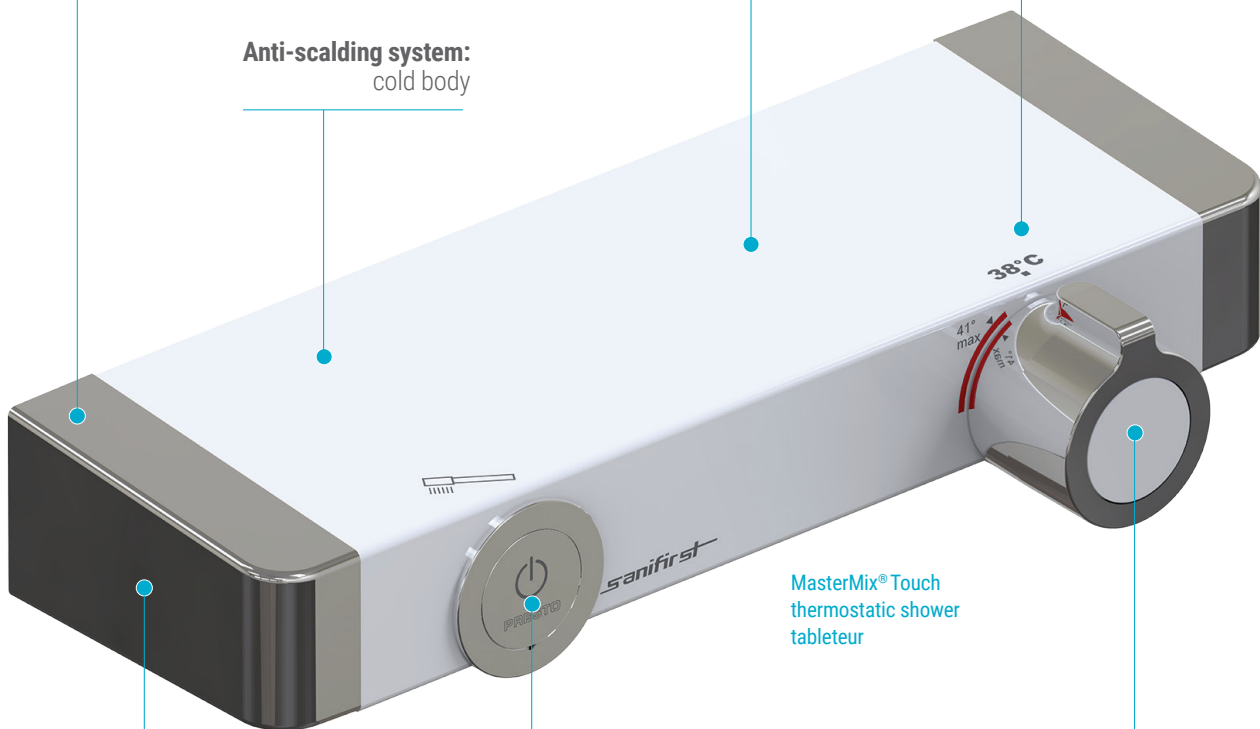
**Easy installation:**  
"plug & play"  
mounting plate



**Protects against bacterial growth:**  
smooth interior and no check  
valves to eliminate the risk of  
intercommunication between the hot  
and cold water supply

**Temperature :**  
temperature limiter 41 °C

**Anti-scalding system:**  
cold body



**Easy maintenance:**  
no inaccessible  
areas

MasterMix® Touch  
thermostatic shower  
tableteur

**Anti-scalding system:**  
Thermal shock protection

**Easy maintenance:**  
the cartridge can be  
changed without shutting  
off the water supply.

**Easy to use:**  
a simple light touch activates or stops  
the water flow. This control that can be  
used by children and people with  
reduced mobility

# SHOWER AND BATH-SHOWER MIXER TAP

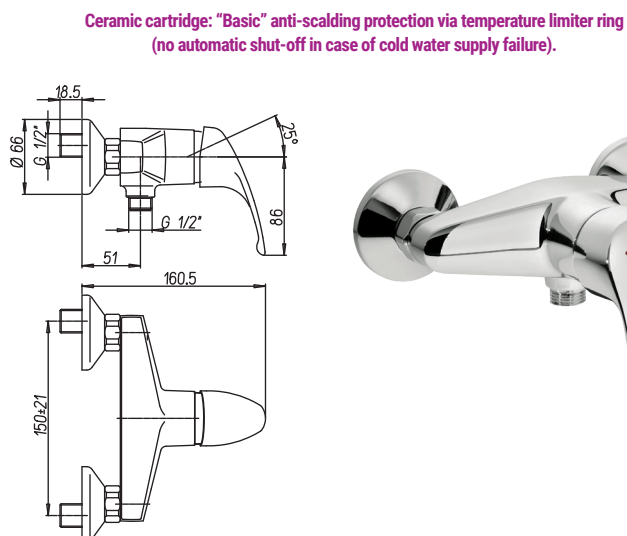


## SHOWER MIXER - SPAN 150 mm

- Cartridge: 93023, Ø 40 mm
- Outlet M G 1/2"
- Connection EP G 3/4"
- Supplied with rosettes and M G 1/2" offset connectors
- Flow compliant with NF - E.C.A.U. "M" (Medical) classification: between 9 and 12 l/min at 3 bar

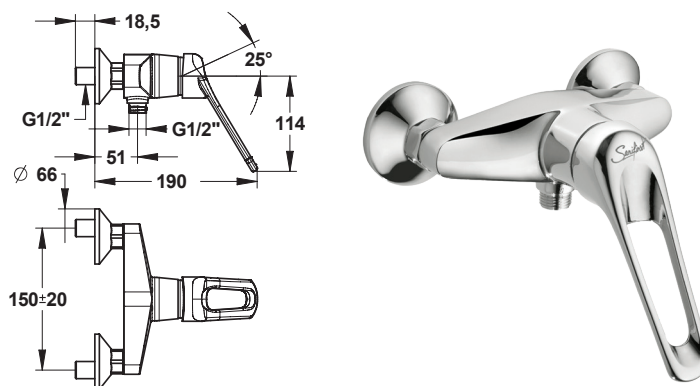
75072 Solid lever

**i** Intuitive, user-facing red/blue marking



75600 Openwork lever

**i** Easy to grip

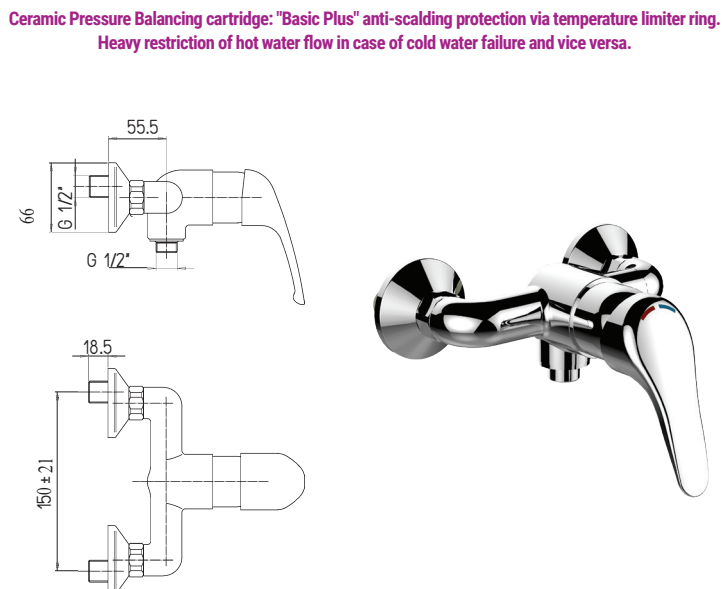


## SHOWER MIXER - SPAN 150 mm

- Cartridge EP 93023, Ø 40 mm
- Outlet M G 1/2"
- Connection EP G 3/4"
- Supplied with rosettes and M G 1/2" offset connectors
- Flow rate: 16 l/min at 3 bar

75091 Solid lever

**i** Intuitive, user-facing red/blue marking



# SHOWER AND BATH-SHOWER MIXER TAP



## SHOWER KIT

Including:

- Mixer with solid lever (75072)
- 2-jet handheld shower (75280)
- Smooth grey synthetic hose, length 1500 mm (75415)
- Chrome-plated shower rail Ø 25 mm length 600 mm with soap holder (75288)

**75073** Shower kit



Including:

- Mixer with openwork lever (75600)
- 2-jet handheld shower (75280)
- Smooth grey synthetic hose, length 1500 mm (75415)
- Chrome-plated shower rail Ø 25 mm length 600 mm with soap holder (75288)

**75549** Shower kit



# SHOWER AND BATH-SHOWER MIXER TAP



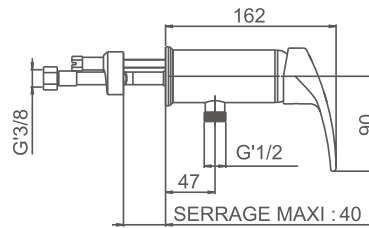
## SINGLE-HOLE SHOWER MIXER

### Solid lever

- Outlet M 1/2" downward
- Cartridge: 93023, Ø 40 mm
- SPEX hoses connection M 10 × 100, EP G 3/8"

**75075** With hose length 350 mm

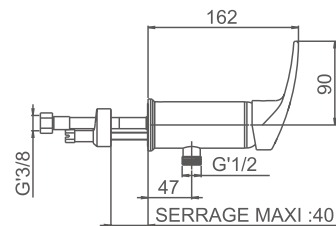
Ceramic cartridge: "Basic" anti-scalding protection via temperature limiter ring  
(no automatic shut-off in case of cold water supply failure).



### Solid lever upward

- Outlet M 1/2" downward
- Cartridge: 93023, Ø 40 mm
- SPEX hoses connection M 10 × 100, EP G 3/8"

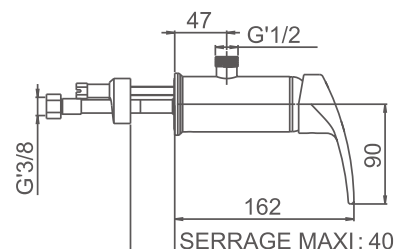
**75077** With hose length 350 mm



### Solid lever

- Outlet M 1/2" downward
- Cartridge: 93023, Ø 40 mm
- SPEX hoses connection M 10 × 100, EP G 3/8"

**75078** With hose length 350 mm



# SHOWER AND BATH-SHOWER MIXER TAP

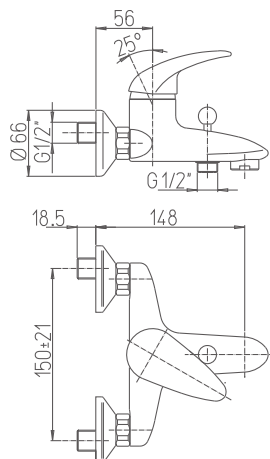


## BATH-SHOWER MIXER - SPAN 150 mm

- Cartridge: 93023, Ø 40 mm
- Outlet M G 1/2"
- Connection EP G 3/4"
- Supplied with rosettes and M G 1/2" offset connectors
- Star flow-straightener, M 28 x 1

75032 Solid lever

Ceramic cartridge: "Basic" anti-scalding protection via temperature limiter ring (no automatic shut-off in case of cold water supply failure).

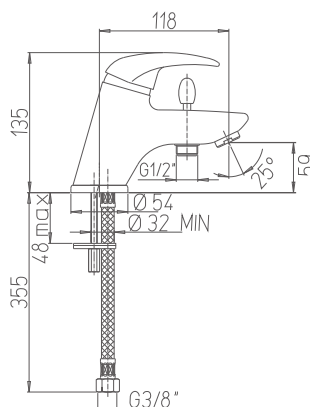


## SINGLE-HOLE BATH-SHOWER MIXER

### Height to spout 47 mm

- Projection: 118 mm
- Cartridge: 93023, Ø 40 mm
- Outlet M G 1/2"
- SPEX hoses, M 12 x 1, EP G 3/8", length 350 mm
- Star flow-straightener, M 24 x 1

75033 Solid lever



SHOWER, BATH-SHOWER  
TAPWARE

# THERMOSTATIC MIXER TAP



## THERMOSTATIC MIXER TAP - SPAN 150 mm

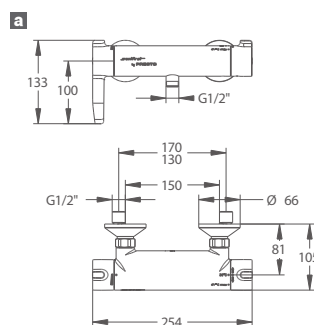
- Cold body – Especially for thermal shock
- Cartridges: ceramic and thermostatic
- SPAN 150 mm
- **No intercommunication possible between DHW and DCW**
- Temperature limiter at 41°C
- Can only be unlocked by technical services for thermal shock
- Offset connectors M 1/2" with chrome-plated rosettes and filter seals

**74050** Lever downward, outlet downward  
With rosettes **a**

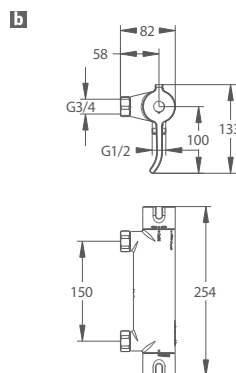
**74052** Lever upward, outlet downward  
Without rosettes **b**

**NF MEDICAL CERTIFICATION IN PROGRESS**  
Products available in shower kit version,  
Please consult us

Thermostatic cartridge: "Premium" anti-scalding system with automatic shut-off and closure in the event of disconnection of the cold water supply and vice versa.  
Complies with the NF EN 1111 standard.



MasterMIX®



- Cold body – Especially for thermal shock
- Cartridges: ceramic and thermostatic
- SPAN 150 mm
- **No intercommunication possible between DHW and DCW**
- Temperature limiter at 38°C
- Can only be unlocked by technical services for thermal shock
- Offset connectors M 1/2" with chrome-plated rosettes and filter seals

**75112** Lever downward, outlet downward

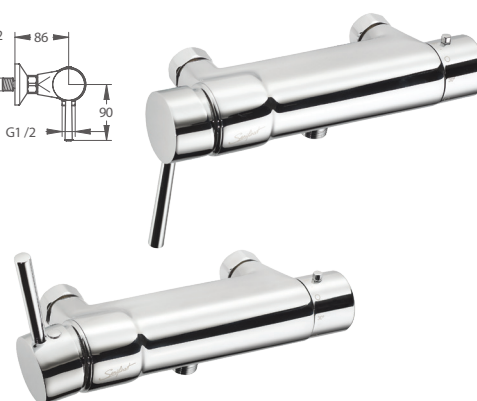
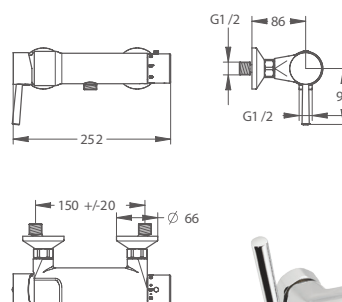
**75116** Lever upward, outlet downward

- Adjustable temperature limiter from 38 to 45 °C

**75308** 75112 accommodation version

**75309** 75116 accommodation version

**i** Anti-scalding system  
Protects the water networks  
Easy to maintain



MasterMIX®

While stocks last

## COMPLEMENTARY PRODUCTS

**60568** Anti-stagnation connector for shower  
and bath-shower – G 1/2" – G 1/2"

# THERMOSTATIC MIXER TAP



## SHOWER KIT

Including:

- Mixer tap
- Single-jet handheld shower (75279)
- Wall-mounted handheld shower holder (75303)
- Anti-stagnation connector (60568)
- Smooth grey synthetic hose, length 850 mm (75524)

75113 Kit with mixer tap 75112

While stocks last

74100 Kit with mixer tap 74050

**i** Anti-scalding system  
Protects the water networks  
Easy to maintain



MasterMiX®

Including:

- Mixer tap
- 2-jet handheld shower (75280)
- Chrome-plated shower rail Ø 25 mm length 600 mm with soap holder (75288)
- Smooth grey synthetic hose, length 850 mm (75524)

75114 Kit with mixer tap 75112

While stocks last

74101 Kit with mixer tap 74050

**i** Anti-scalding system  
Protects the water networks  
Easy to maintain



MasterMiX®

Including:

- Mixer tap
- 2-jet handheld shower (75280)
- Chrome-plated shower rail Ø 25 mm length 600 mm with soap holder (75288)
- Smooth grey synthetic hose, length (75415)

75115 Kit with mixer tap 75112

While stocks last

74102 Kit with mixer tap 74050

**i** Anti-scalding system  
Protects the water networks  
Easy to maintain



MasterMiX®

SHOWER, BATH-SHOWER  
TAPWARE

# THERMOSTATIC MIXER TAP



## WALL-MOUNTED WASHBASIN THERMOSTATIC MIXER TAP

- Cold body with smooth interior
- Cartridges : ceramic and thermostatic
- No intercommunication possible between DHW and DCW
- Temperature limiter at 41 °C
- Can only be unlocked by technical services for thermal shock

**75948** M 1/2 connection for wall-mounted F 1/2 fittings – **NF M\*** **a**

**75963** F 3/4 connection for M 3/4 fasteners - without stop valve

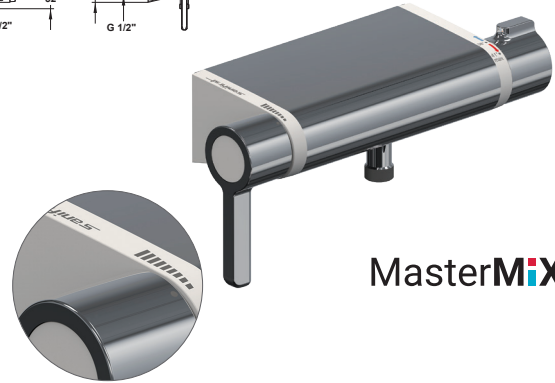
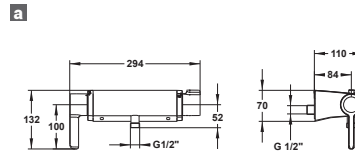
\* "Plug & Play" mounting plate (see p 89)

**i** **Anti-scalding system**  
Protects the water networks  
Easy to maintain

\* Certified products **NF** Medical environments

**i** E.C.A.U. M classification: E00 Ch2 A1 U3

Thermostatic cartridge: "Premium" anti-scalding system with automatic shut-off and closure in the event of disconnection of the cold water supply and vice versa.  
Complies with the NF EN 1111 standard.



MasterMiX.

- Cold body with smooth interior
- Cartridges : ceramic and thermostatic
- No intercommunication possible between DHW and DCW
- Temperature limiter at 41 °C
- Can only be unlocked by technical services for thermal shock

**75949** M 1/2 connection for wall-mounted F 1/2 fittings – **NF M\*** **b**

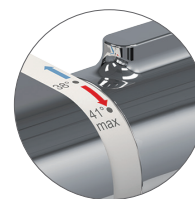
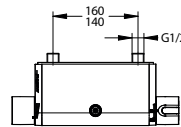
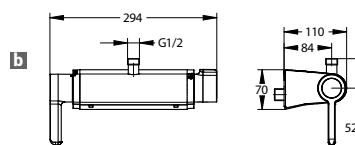
**75964** F 3/4 connection for M 3/4 fasteners - without stop valve

\* "Plug & Play" mounting plate (see p 89)

**i** **Anti-scalding system**  
Protects the water networks  
Easy to maintain

\* Certified products **NF** Medical environments

**i** E.C.A.U. M classification: E00 Ch2 A1 U3

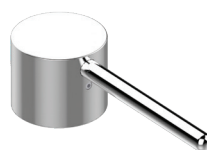


MasterMiX.

## ACCESSORIES

**75706** Ergonomic long flow lever\*

\* Not compatible with models type ref. 75112



# THERMOSTATIC MIXER TAP



## SHOWER KIT

### KIT THERMOSTATIX MIXER MASTERMIX

Including:

- Mixer tap (75948)\* – **NF M\***
- Single-jet handheld shower (75279)
- Wall-mounted handheld shower holder (75303)
- Anti-stagnation connector (60568)
- Smooth grey synthetic hose, length 850 mm (75524)

**75954** Temperature limiter at 41 °C

\* "Plug & Play" mounting plate (see p 89)



MasterMiX®

SHOWER, BATH-SHOWER  
TAPWARE

Including:

- Mixer tap (75948)\* – **NF M\***
- 2-jet handheld shower (75280)
- Chrome-plated shower rail Ø 25 mm length 600 mm with soap holder (75288)
- Smooth grey synthetic hose, length 850 mm (75524)

**75955** Temperature limiter at 41 °C



MasterMiX®

Including:

- Mixer tap (75948)\* – **NF M\***
- 2-jet handheld shower (75280)
- Chrome-plated shower rail Ø 25 mm length 600 mm with soap holder (75288)
- Smooth grey synthetic hose, length 1 500 mm (75415)

**75956** Temperature limiter at 41 °C

**i** **Anti-scalding system**  
Protects the water networks  
Easy to maintain

\* Certified products **NF** Medical environments

**i** E.C.A.U. M classification: E00 Ch2 A1 U3



MasterMiX®

# THERMOSTATIC MIXER TAP



## THERMOSTATIC SHOWER TABLET

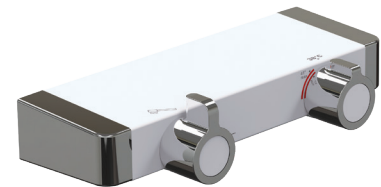
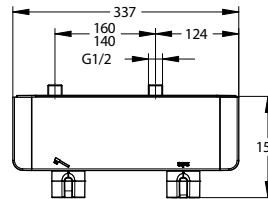
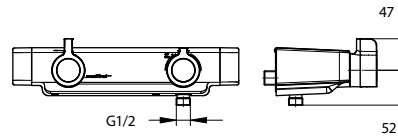
- Cold body with smooth interior
- Cartridges: ceramic and thermostatic
- No intercommunication possible between DHW and DCW
- **Temperature limiter at 41°C**
- **Can only be unlocked by technical services for thermal shock**

**75950** M 1/2 connection for wall-mounted F 1/2 fittings\* – **NF M\***

**75965** F 3/4 connection for M 3/4 fasteners - without stop valve

\* "Plug & Play" mounting plate (see p 89)

Thermostatic cartridge: "Premium" anti-scalding system with automatic shut-off and closure in the event of disconnection of the cold water supply and vice versa.  
Complies with the NF EN 1111 standard.



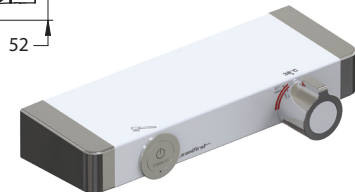
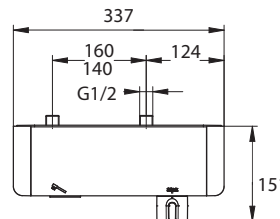
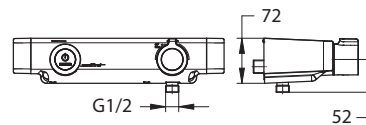
MasterMiX®

- Cold body with smooth interior
- Thermostatic cartridge
- No intercommunication possible between DHW and DCW
- Two solenoid valves: one for hot water, one for cold water
- TOUCH button: touch-sensitive activation
- **Temperature limiter at 41°C**
- **Can only be unlocked by technical services for thermal shock**
- **Offset connectors with integral 1/4-turn stop valves**
- Tablet function

**75951** M 1/2 connection for wall-mounted F 1/2 fittings\*

**75953** F 3/4 connection for M 3/4 fasteners - without stop valve

\* "Plug & Play" mounting plate (see p 87)



MasterMiX®

- Anti-scalding system**  
Protects the water networks  
Easy to maintain

\* Certified products Medical environments

**E.C.A.U. M classification: E00 Ch2 A1 U3**

## COMPLEMENTARY PRODUCTS

**60568** Anti-stagnation connector for shower and bath-shower – G 1/2" – G 1/2"

# THERMOSTATIC MIXER TAP



## SHOWER KIT

Including:

- Mixer tap (75950)\* – **NF M\***
- Single-jet handheld shower (75279)
- Wall-mounted handheld shower holder (75303)
- Anti-stagnation connector (60568)
- Smooth grey synthetic hose, length 850 mm (75524)

**75957** Temperature limiter at 41 °C

\* "Plug & Play" mounting plate (see p 89)



MasterMiX®

Including:

- Mixer tap (75950)\* – **NF M\***
- 2-jet handheld shower (75280)
- Chrome-plated shower rail Ø 25 mm length 600 mm with soap holder (75288)
- Smooth grey synthetic hose, length 850 mm (75524)

**75958** Temperature limiter at 41 °C



MasterMiX®

Including:

- Mixer tap (75950)\* – **NF M\***
- 2-jet handheld shower (75280)
- Chrome-plated shower rail Ø 25 mm length 600 mm with soap holder (75288)
- Smooth grey synthetic hose, length 1 500 mm (75415)

**75959** Temperature limiter at 41 °C

**i** **Anti-scalding system**  
Protects the water networks  
Easy to maintain

\* Certified products Medical environments

**i** E.C.A.U. M classification: E00 Ch2 A1 U3



MasterMiX®

# THERMOSTATIC MIXER TAP



## SHOWER KIT TOUCH

Including:

- Mixer tap (75951)\*
- Single-jet handheld shower (75279)
- Wall-mounted handheld shower holder (75303)
- Anti-stagnation connector (60568)
- Smooth grey synthetic hose, length 850 mm (75524)

**75960** Temperature limiter at 41°C

\* "Plug & Play" mounting plate (see p 89)



MasterMiX.

Including:

- Mixer tap (75951)\*
- 2-jet handheld shower (75280)
- Chrome-plated shower rail Ø 25 mm length 600 mm with soap holder (75288)
- Smooth grey synthetic hose, length 850 mm (75524)

**75961** Temperature limiter at 41°C

\* "Plug & Play" mounting plate (see p 89)



MasterMiX.

Including:

- Mixer tap (75951)\*
- 2-jet handheld shower (75280)
- Chrome-plated shower rail Ø 25 mm length 600 mm with soap holder (75288)
- Smooth grey synthetic hose, length 1 500 mm (75415)

**75962** Temperature limiter at 41°C

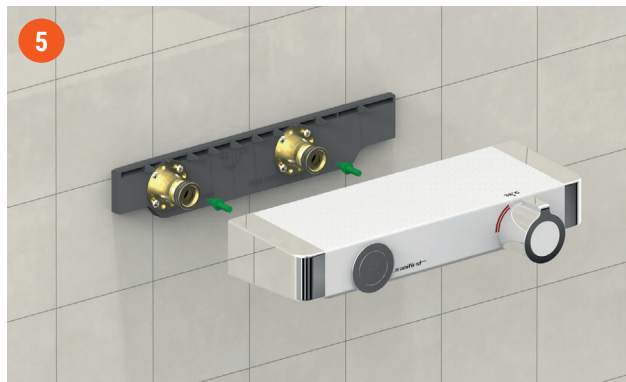
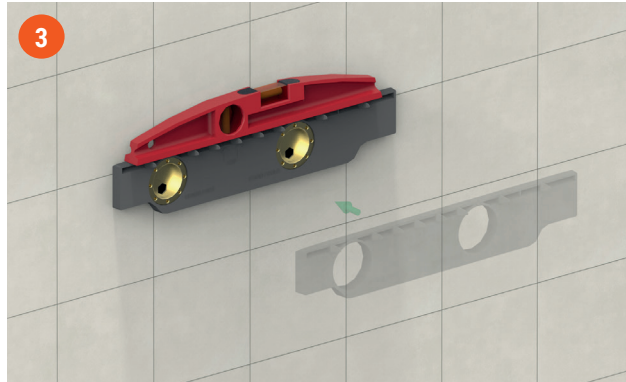
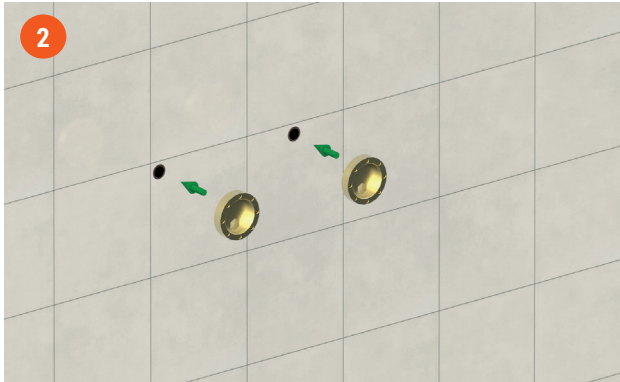
**i** **Anti-scalding system**  
**Protects the water networks**  
**Easy to maintain**



MasterMiX.

# PLUG & PLAY MOUNTING PLATE

MasterMiX®



# THERMOSTATIC MIXER TAP



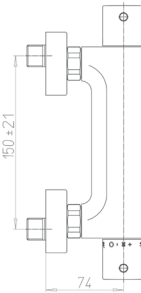
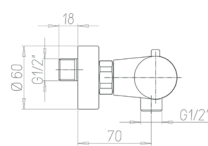
## THERMOSTATIC MIXER - SPAN 150 mm

- Cold body
- Cartridge: thermostatic
- M G 1/2" outlet
- Connection EP G 3/4"
- Supplied with wall plates and M G 1/2" offset connectors"

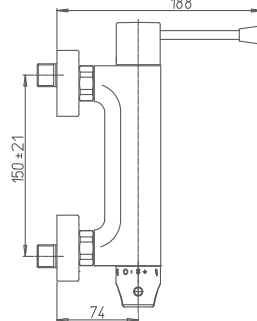
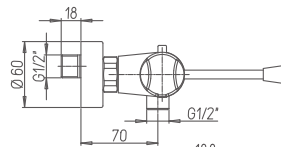
**75640** **NF\*** Temperature limiter set to 38°C – can be increased to 48°C by pressing the knob

\* Certified products

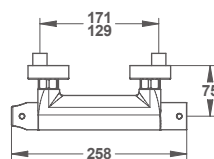
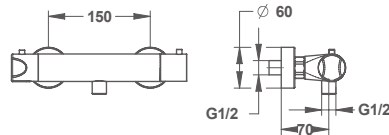
Thermostatic cartridge: "Premium" anti-scalding system with automatic shut-off and closure in the event of disconnection of the cold water supply and vice versa.  
Complies with the NF EN 1111 standard.



**75638** Temperature limiter set to 38°C – can be increased to 48°C by pressing the knob



**75639** Thermal shock protection knob  
Dual temperature limiter 38°C and 41°C



# THERMOSTATIC MIXER TAP



## SHOWER KIT

Including:

- Special thermal shock mixer tap (75639)
- 3-jet handheld shower (75941)
- Wall-mounted handheld shower holder (75303)
- Anti-stagnation connector (60568)
- Smooth grey synthetic hose, length 850 mm (75524)

75107 Kit



Including:

- Special thermal shock mixer tap (75639)
- 2-jet handheld shower (75280)
- Chrome-plated shower rail Ø 25 mm length 600 mm with soap holder (75288)
- Smooth grey synthetic hose, length 850 mm (75524)

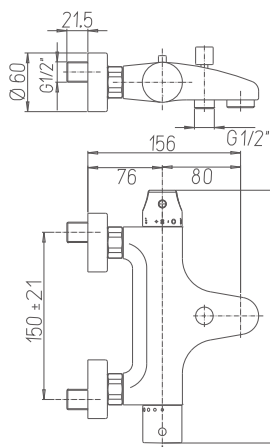
75108 Kit



## BATH-SHOWER THERMOSTATIC MIXER - SPAN 150 mm

- Cartridge: thermostatic
- Outlet M G 1/2"
- Brass control knobs
- Connection EP G 1/2"
- Supplied with rosettes and M G 1/2" offset connectors

75110 Thermal shock



## COMPLEMENTARY PRODUCTS

60568 Anti-stagnation connector for shower and bath-shower - G 1/2" - G 1/2"

SHOWER, BATH-SHOWER  
TAPWARE

# PRESTOTEM® 2

## NEXT GENERATION SHOWER PANELS

The new PRESTOTEM® 2 shower panels offer modern design for durable equipment. Their architecture ensures simple installation and ease of maintenance. With a wide range of available options, the panels can be upgraded simply by changing the plate.



PRESTOTEM 2 TOUCH AND MASTERMIX THERMOSTATIC MIXER TAP - HEALTH VERSION

REMOVABLE PLATE



### WATER SAVING

Timed-flow PRESTO taps prevent waste. The PRESTOTEM 2 panel is also available in the S® anti-blocking version, which prevents continuous flow.



### EASY TO MAINTAIN

The panel opening permits full access to the tapware and the shower head. For frost protection, the removable plate helps to save on time and space without the need to dismantle the panel. Maintenance can also be carried out elsewhere.



### QUICK AND EASY TO INSTALL

The hinge and door opening system makes it easy for one person to install the equipment alone. For renovations, the panel and its adjustable centre distances make it possible to cover up where a first-generation PRESTOTEM was installed.



### COMPATIBILITY

With PRESTOTEM 2, you can change the tap type as required by simply changing the removable plate (compatible with PRESTO MasterMix, TOUCH®, PRESTO 50 taps etc.).

## INTEGRATED UNIQUE PATENTED MASTERMIX TECHNOLOGY

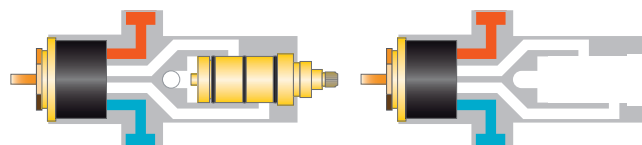
**MasterMix**  
INSIDE

PRESTOTEM 2 is available with MasterMix technology in the following versions:

- Thermostatic TOUCH
- Dual control with thermostatic
- Thermostatic dual control and reverser

### MASTERMIX PATENTED SOLUTION

Double the user safety thanks to unique systems for protection against scalds and bacterial growth.



Mixer tap in closed position  
NO CONTAMINATION POSSIBLE

Cartridge can be removed  
WITHOUT SHUTTING OFF  
THE WATER SUPPLY

# PANNEAU DE DOUCHE



## PRESTOTEM® 2 TOUCH® MASTERMIX® VERSION HEALTHCARE

### THERMOSTATIC SHOWER PANEL WITH PRESTO TOUCH®

**88858** Top or rear\* water inlet and fixed shower head **a**

**88860** Top or rear\* water inlet with handheld shower **b**

\* Adaptation kit 91026 is recommended for rear inlet ref. 91026 (see p 95).

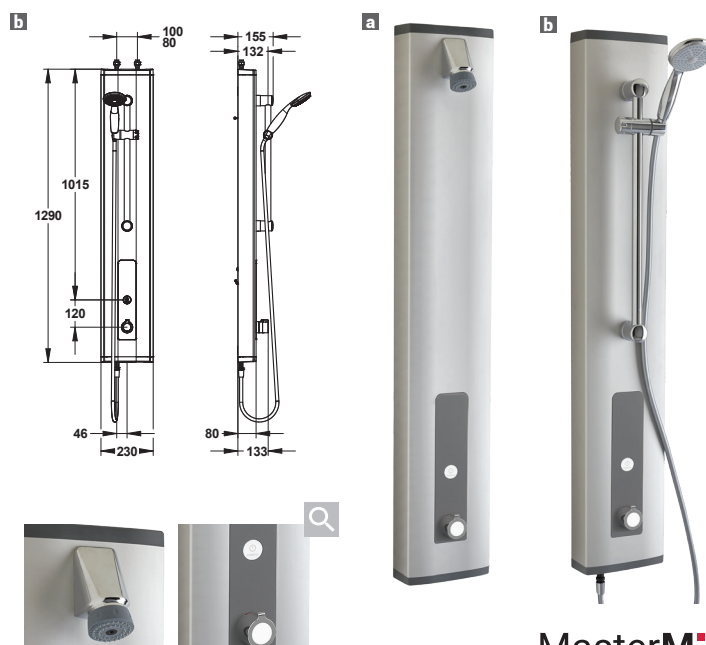
### TOUCH PROGRAMME

3 settings can be programmed during the 15 seconds after the power is switched on:

- the safety time, corresponding to the use time (in 1-second increments) adjustable from 1 sec to 5 mins;
- the mandatory rinsing frequency (in 6-hour increments), pre-set to no mandatory rinse – adjustable from 6 hours to 2,5 days;
- the mandatory rinsing duration (in 15-second increments), set to 30 seconds by default – adjustable from 15 seconds to 5 minutes. Settings are adjusted by pressing the button a certain number of times, to which the tap responds by flowing.

Thermostatic cartridge: "Premium" anti-scalding system with automatic shut-off and closure in the event of disconnection of the cold water supply and vice versa.  
Complies with the NF EN 1111 standard.

| 6 l/min | G 1/2" | Battery | 75° C |



MasterMiX®

SHOWER, BATH-SHOWER  
TAPWARE

## PRESTOTEM® 2 DUAL CONTROL MASTERMIX® - VERSION HEALTHCARE

### DUAL CONTROL THERMOSTATIC SHOWER PANEL

**88856** Top or rear\* water inlet with handheld shower **c**

### DUAL CONTROL THERMOSTATIC SHOWER PANEL WITH REVERSER **d**

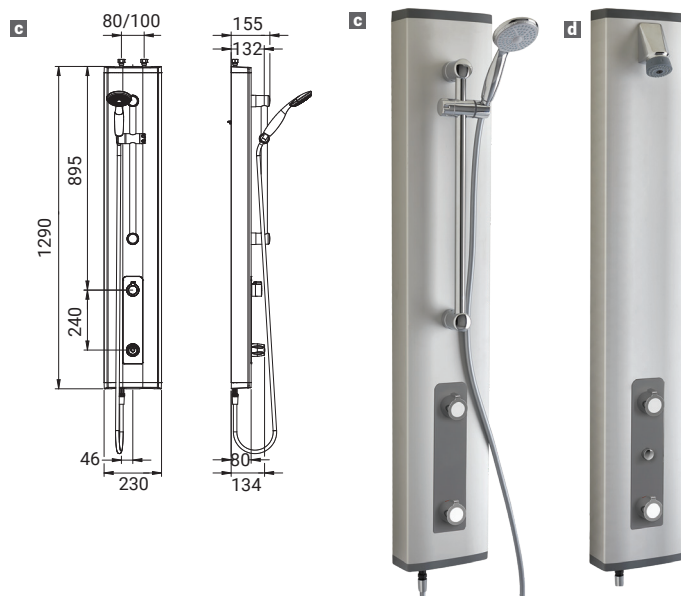
**88866** Top or rear\* water inlet and fixed shower head (without handheld shower)

\* Adaptation kit 91026 is recommended for rear inlet ref. 91026 (see p 95).

### ADVANTAGES

- Protects the water networks: no intercommunication between domestic hot water and domestic cold water\*
- Anti-scalding system:
  - instant shut-off of the hot water in the event that the cold water is cut off, in compliance with NF EN 1111.
  - temperature control with dual temperature limiter 38°C and 41°C with marking. Secure unlocking for thermal shock and accessible only by technicians without removing the control.
  - Equipped with silicone hoses designed for healthcare facilities: tested for disinfection cycle according to NF077 document Tech 15.

| 8 l/min | G 1/2" | Anti-scalding | 75° C |



MasterMiX®

### COMPLEMENTARY PRODUCTS

#### ACCESSORIES

- 91220** Brass connection kit low outlet
- 91026** Adaptation kit
- 91042** Hand-held shower kit
- 91037** Shower gel holder
- 91038** Winter storage plate
- 91087** TOUCH sticker pack

\* DHW (domestic hot water), DCW (domestic cold water)

## PRESTOTEM® 2 MONOCOMMANDE VERSION HEALTHCARE

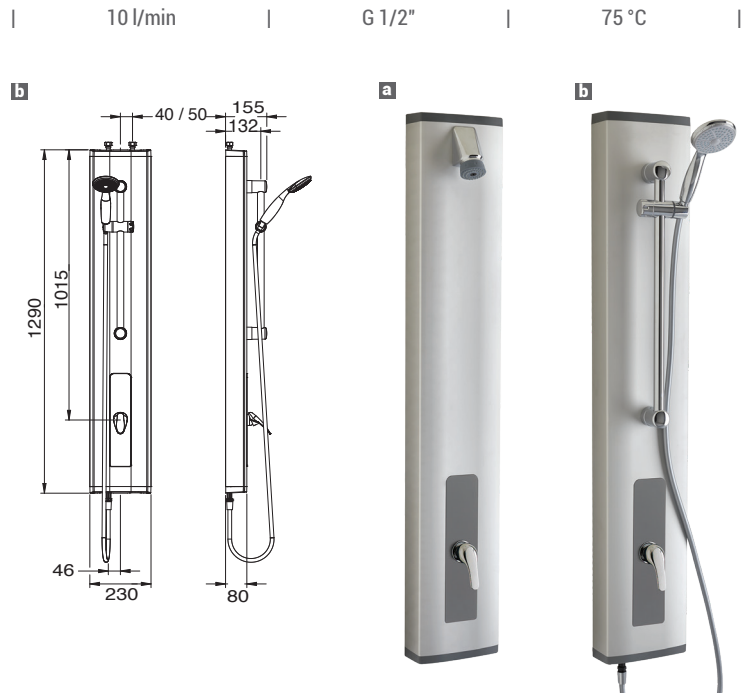
### SHOWER PANEL WITH SINGLE CONTROL MIXER TAP

- 88846 Top or rear\* water inlet and fixed shower head **a**
- 88848 Top or rear\* water inlet with handheld shower **b**

## ADVANTAGES

- Equipped with silicone hoses designed for healthcare facilities: tested for disinfection cycle according to NF077 document Tech 15.

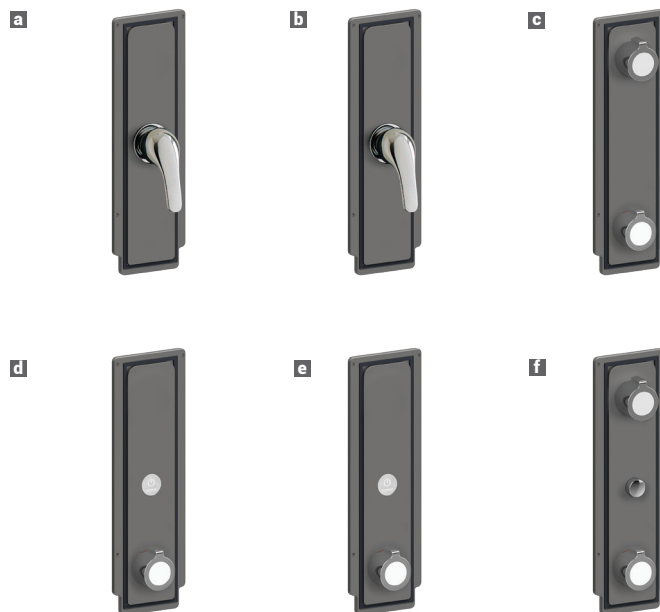
Ceramic cartridge: "Basic" anti-scalding protection via temperature limiter ring  
(no automatic shut-off in case of cold water supply failure).



## PLATE KIT FOR PRESTOTEM® - VERSION HEALTHCARE

### SHOWER PANEL WITH SINGLE CONTROL MIXER TAP

- 91111 PLATE KIT PRESTOTEM 2 MONO - VERSION healthcare **a**
- 91112 PLATE KIT PRESTOTEM 2 MONO with shower head - VERSION HEALTHCARE **b**
- 91113 PLATE KIT PRESTOTEM 2 DUAL CONTROL MASTERMIX with handheld shower - VERSION HEALTHCARE **c**
- 91114 PLATE KIT PRESTOTEM 2 TOUCH MASTERMIX - VERSION HEALTHCARE **d**
- 91115 PLATE KIT PRESTOTEM 2 TOUCH MASTERMIX with shower head - VERSION HEALTHCARE **e**
- 91116 PLATE KIT PRESTOTEM 2 DUAL CONTROL MASTERMIX INVERSER - VERSION HEALTHCARE **f**



# OPTIONS FOR PRESTOTEM® 2

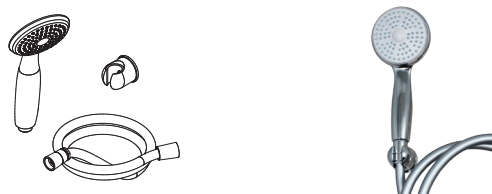
## REAR OUTLET ADAPTATION KIT

91026 Rear outlet adaptation kit



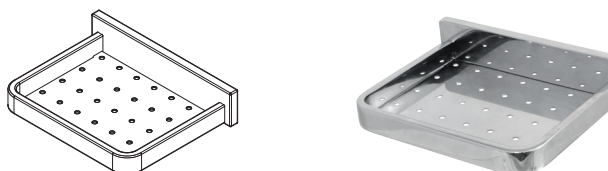
## HANDHELD SHOWER

91042 Handheld shower kit



## SOAP / GEL HOLDER

91037 Chrome-plated brass soap/gel holder



## WINTER STORAGE PLATE

91038 Winter storage plate



## SHOWER HEAD PRESTOTEM® 2

91030 Shower head



## CORNER SHIM FOR PRESTOTEM® 2

91049 Corner shim for PRESTOTEM® 2



## TOP PIPE COVER

91039 Top pipe cover





# ACCESSORIES, INSTALLATION & MAINTENANCE

<b>SELECTION GUIDE</b>	<b>98</b>
<b>ACCESSORIES</b>	
COLOURED STAR FLOW-STRAIGHTENERS	101
DISPOSABLE SHOWER KITS	101
SHOWER KIT	102
SHOWER ACCESSORIES	105
<b>MAINTENANCE</b>	
SPARE PARTS	106
<b>CIRCULATION PLATE</b>	<b>116</b>

# SELECTION GUIDE

## ACCESSORIES



COLOURED STAR  
FLOW-STRAIGHTENER  
p 101



DISPOSABLE SHOWER KITS  
p 101



SHOWER KIT  
p 102



SHOWER ACCESSORIES  
p 105

## MAINTENANCE / SPARE PARTS



BASIN DRAIN  
p 106



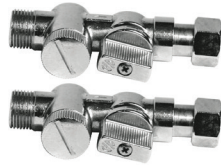
QUICK CONNECTOR  
p 106



SPOUT  
p 106



CARTRIDGE  
p 107



STOP VALVE  
p 107



CONNECTOR  
p 107



LEVER  
p 108



KNOB  
p 109

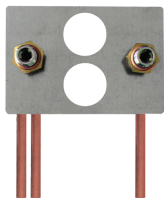


MODUL'MIX RANGE  
p 110



MASTERMIX RANGE  
p 112

## INSTALLATION



CIRCULATION PLATE  
p 116



# COLOURED FLOW-STRAIGHTENERS & SHOWER KITS

Sanifirst now offers a range of coloured accessories that have been specially designed to meet the maintenance requirements in healthcare facilities.

## OBJECTIVE:

To enable the regular replacement of star flow-straighteners and shower kits in hospital facilities in order to reduce the risk of bacterial growth.



**Optimum tracking:**  
easily identifiable colour

**4 colours:**  
each colour = one cycle

**Possible maintenance programme:**  
Recommended frequency:  
three-monthly to yearly\*

**Hygiene:**  
No air aspiration  
Clear laminar jet  
Anti-limescale material (POM)

**Time saving for technicians:**  
rapid visual inspection

**Smooth hose:**  
limits bacterial accumulation

Hand-held shower with rain-effect jet

French Sanitary Compliance Certificate (ACS)

\* Technical guidelines for "Water in healthcare facilities"

# COLOURED FLOW-STRAIGHTENERS



## OFFICIAL RECOMMENDATIONS\*

### Frequency: Three-monthly to yearly

- Dismantling of the star flow-straighteners, swan necks, shower heads and shower hoses.
- Visual assessment of the amount of scale build-up inside the components.
- Replacement or cleaning/descaling prior to disinfection. Otherwise, straight disinfection.

#### FLOW-STRAIGHTENER ONLY (INSERT)

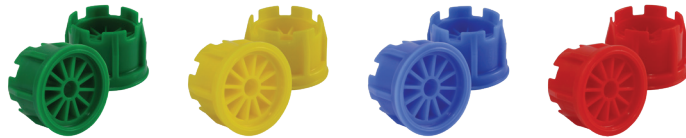
Pack of star 10 flow-straighteners only - male/female

93128 ● Green

93131 ● Yellow

93134 ● Blue

93137 ● Red



#### COMPLETE FLOW-STRAIGHTENER (WITH INSERT, CAGE AND SEAL)

##### MALE

Pack of 10 complete star flow-straighteners - M24x1

93126 ● Green

93129 ● Yellow

93132 ● Blue

93135 ● Red



#### COMPLETE FLOW-STRAIGHTENER (WITH INSERT, CAGE AND SEAL)

##### FEMALE

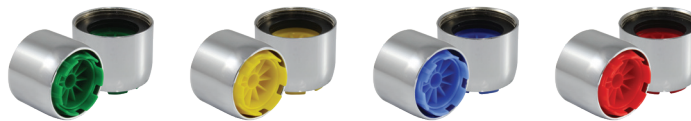
Pack of 10 complete star flow-straighteners - M22x1

93127 ● Green

93130 ● Yellow

93133 ● Blue

93136 ● Red



# DISPOSABLE SHOWER KITS

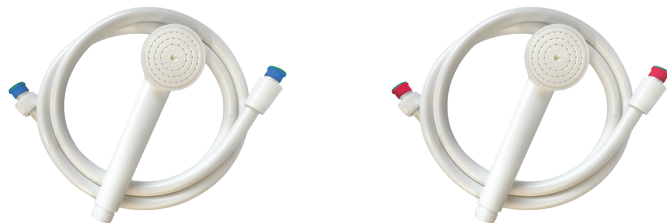
- Packs of 25 kits
- Length 1500 mm
- Smooth white PVC hose
- G 1/2" hand-held shower
- Rain-effect jet

75865 ● Green

75863 ● Yellow

75864 ● Blue

75866 ● Red



- Smooth white PVC hose
- G 1/2" hand-held shower
- Rain-effect jet

75342 ○ White - length 850 mm

75269 ○ White - length 1100 mm

75268 ○ White - length 1500 mm



\* Technical guidelines for "Water in healthcare facilities »

# SHOWER KIT



## SHOWER RAIL

- Shower rail L 600 mm - Ø 25 mm
- Chrome-plated handheld shower slider
- Supplied without accessories, without fixing screws

**75287** Chrome-plated shower rail



## KIT WITH ANTI-STAGNATION CONNECTOR

- Smooth grey hose 850 mm
- **Chrome-plated single-jet handheld shower**
- Fixed wall-mounted holder
- Anti-stagnation connector

**93147** Kit with anti-stagnation connector



## KIT WITH ANTI-STAGNATION CONNECTOR

- Chrome-plated shower rail L 600 mm - Ø 25 mm
- Chrome-plated handheld shower slider
- Chrome-plated soap holder
- Smooth grey hose 850 mm
- **Chrome-plated 2-jet handheld shower**
- Anti-stagnation connector

**75931** Kit with anti-stagnation connector



# SHOWER KIT



## KIT WITHOUT SHOWER RAIL

- Smooth grey hose 1750 mm
- **Chrome-plated 2-jet handheld shower**
- Fixed wall-mounted holder

**93146** Kit without shower rail



## KIT WITH SHOWER RAIL

- Chrome-plated shower rail L 600 mm - Ø 25 mm
- Chrome-plated handheld shower slider
- Chrome-plated soap holder
- Smooth grey hose L 1500 mm
- **Chrome-plated single-jet handheld shower**

**75933** Kit with shower rail



## KIT WITH SHOWER RAIL

- Chrome-plated shower rail L 600 mm - Ø 25 mm
- Chrome-plated handheld shower slider
- Chrome-plated soap holder
- Smooth grey hose L 1500 mm
- **Chrome-plated 2-jet handheld shower**

**75934** Kit with shower rail



# SHOWER KIT



## KIT WITH SHOWER RAIL

- Chrome-plated shower rail L 600 mm - Ø 25 mm
- Chrome-plated handheld shower slider
- Chrome-plated soap holder
- Smooth grey hose 1750 mm
- **Chrome-plated single-jet handheld shower**

75936 Kit with shower rail



## KIT WITH SHOWER RAIL

- Chrome-plated shower rail L 600 mm - Ø 25 mm
- Chrome-plated handheld shower slider
- Chrome-plated soap holder
- Smooth grey hose 1750 mm
- **Chrome-plated 2-jet handheld shower**

75937 Kit with shower rail



## KIT WITH SHOWER RAIL

- Chrome-plated shower rail L 600 mm - Ø 25 mm
- Chrome-plated handheld shower slider
- Chrome-plated soap holder
- Smooth grey hose 1750 mm
- **Chrome-plated 3-jet handheld shower**

75938 Kit with shower rail



# SHOWER ACCESSORIES



## HOLDER

### WALL-MOUNTED HANDHELD SHOWER

75303 One position

**a**

### BATH-SHOWER HANDHELD SHOWER

75305 MFG 1/2"

**b**

### SLIDER

75942 Chrome-plated

**c**

### SOAP HOLDER

75325 Chrome-plated

**d**

## SMOOTH HOSE

### SYNTHETIC HOSE

■ Smooth grey synthetic hose, EP G 1/2"

**e**

75524 Hose L 850 mm

75415 Hose L 1500 mm

75283 Hose L 1750 mm

75538 Hose L 2000 mm

### WHITE PVC HOSE CHROME-PLATED NUT

**f**

75282 White PVC hose chrome-plated nut  
L 1500 mm

## CHROME-PLATED HANDHELD SHOWER

75279 Rain jet shower – M G 1/2"

**g**

75280 2 jets – M G 1/2"

**h**

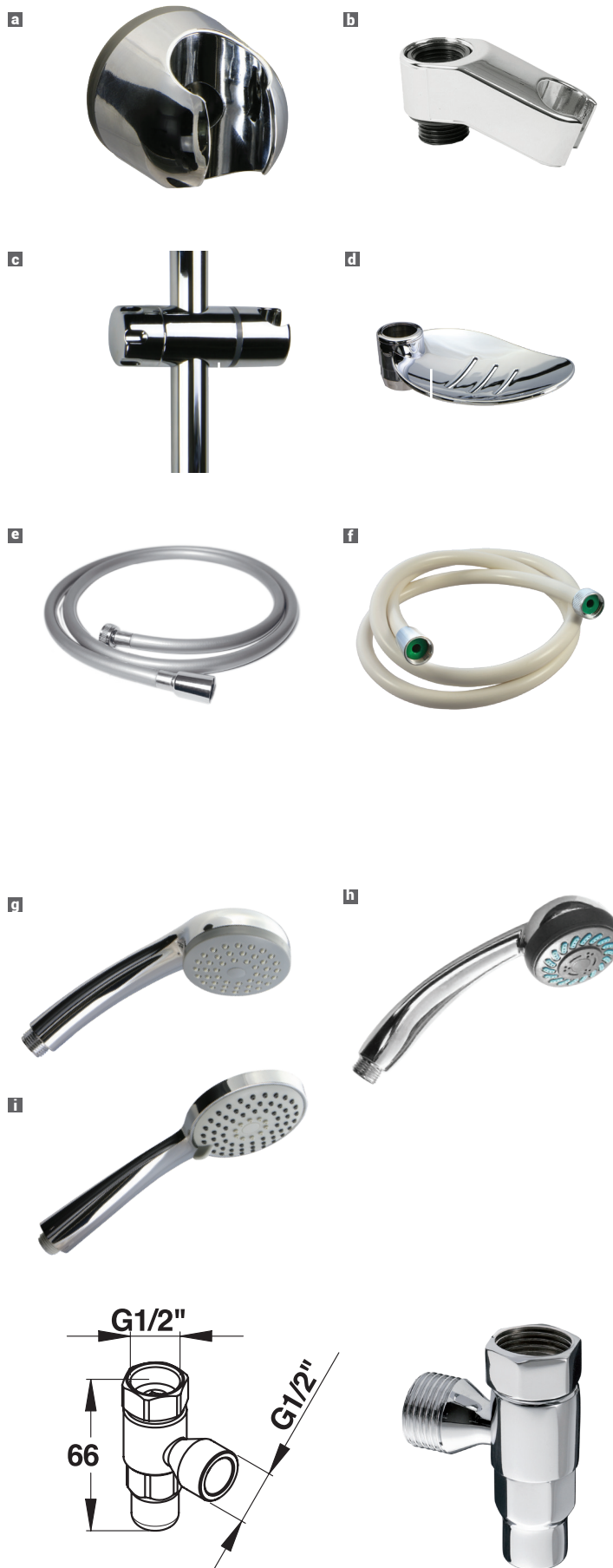
75941 3 jets – M G 1/2"

**i**

## ANTI-STAGNATION CONNECTOR

60568 For shower and bath-shower –  
G 1/2" – G 1/2"

**i** Enables automatic rinsing of the hose and tapware  
via gravity.



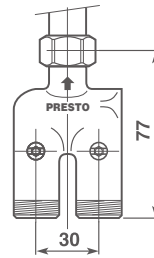
# SPARE PARTS



## PRE-MIXER TAP WITH CHECK VALVES

- Supply EF/ECS M G 1/2"
- Outlet EP G 1/2"

29410 Tap

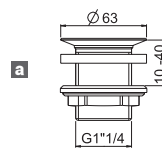


## BASIN DRAIN

- Brass waste

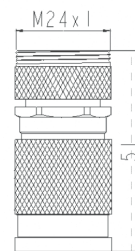
93019 Basin drain with strainer, without screw or lantern **a**

93020 Basin drain with strainer, without screw and with lantern **b**



## QUICK CONNECTOR

75246 Quick connector for end filter M 24 x 1



## SPOUTS

93120 Sink spout for ref. 75027

93122 Top-mounted sink spout for ref. 75623 **c**

93124 Bottom-mounted spout length 240 mm for ref. 75096

**c**



## CARTRIDGE

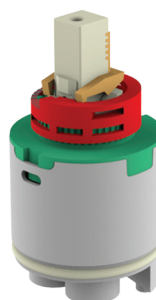
90887	Thermostatic cartridge only for ref. 74051 and 74047	
93011	Thermostatic cartridge – NF	<b>a</b>
93023	Ceramic cartridge – high Ø 40 mm	<b>b</b>
93024	PB cartridge (pressure balancing) – Ø 40 mm	<b>c</b>
93026	Low ceramic cartridge – Ø 40 mm	
93027	Ceramic cartridge – low Ø 35 mm – for ref. 75623-75624	
93117	Ceramic cartridge type C3	
93063	Ceramic head (pair)	
93112	Low ceramic cartridge MASTERMIX 1®	
93076	Backplate, offset connector and filter seal MASTERMIX®	
93060	Special thermal shock temperature control MASTERMIX® (before 2017)	
91184	Thermostatic cartridge only - cream	<b>d</b>
91253	Set thermostatic cartridge evolution Prestotem 2 Mastermix	
93344	Single-lever thermostatic cartridge Modul'Mix Ø 40 mm	<b>e</b>



**a**



**b**



**c**



**d**



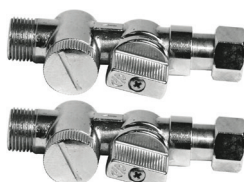
**e**



## STOP VALVE

93021	Stop valve with removable filter EP G 3/8" M 3/8"	<b>f</b>
93296	Offset stop valve for wall-mounted Mastermix	

**f**



## CONNECTOR WITH CHECK VALVE

93015	EA check valve (accessible) FF 1/2"	<b>g</b>
93016	FM G 3/8" (x2)	<b>h</b>
93018	FM G 1/2" (x2)	

**g**



**h**



# SPARE PARTS



## ELBOW CONTROL

### VERTICAL ELBOW CONTROL

93164	Length 160 mm	<b>a</b>
93014	Length 220 mm	

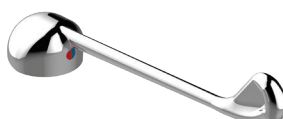
**a**



### ELBOW CONTROL

93012	Length 170 mm	<b>b</b>
93013	Length 220 mm	
93070	Manette de débit MASTERMIX®	
93275	Length 180 mm - Modul'Mix sensor	<b>c</b>
93351	Length 160 mm - Modul'Mix thermostatic	<b>d</b>
93352	Length 210 mm - Modul'Mix thermostatic	

**b**



**c**



**d**



## HOSES

93004	SPEX hoses – length 500 mm	<b>e</b>
93005	SPEX hoses – length 800 mm	<b>f</b>
93085	Supply hoses SPEX M10X1 EPG'3/8 length 350 mm (x2)	

**e**



**f**



## STAR FLOW-STRAIGHTENER

93009	Star flow-straightener only (x50)	<b>g</b>
93006	Star flow-straightener with chrome-plated cage M 24 × 1 (x10)	<b>h</b>
93007	Star flow-straightener with chrome-plated cage F 22 × 1 (x10)	<b>i</b>
93008	Star flow-straightener with chrome-plated cage F 28 × 1 (x10)	<b>fi</b>

**g**



**h**



**i**



**fi**



# SPARE PARTS



## KNOB FOR THERMOSTATIC MIXER TAP

93140	Ergonomic flow	a
93141	Temperature 38°C	b
93142	Temperature - Thermal shock	c



## HOPTIM®

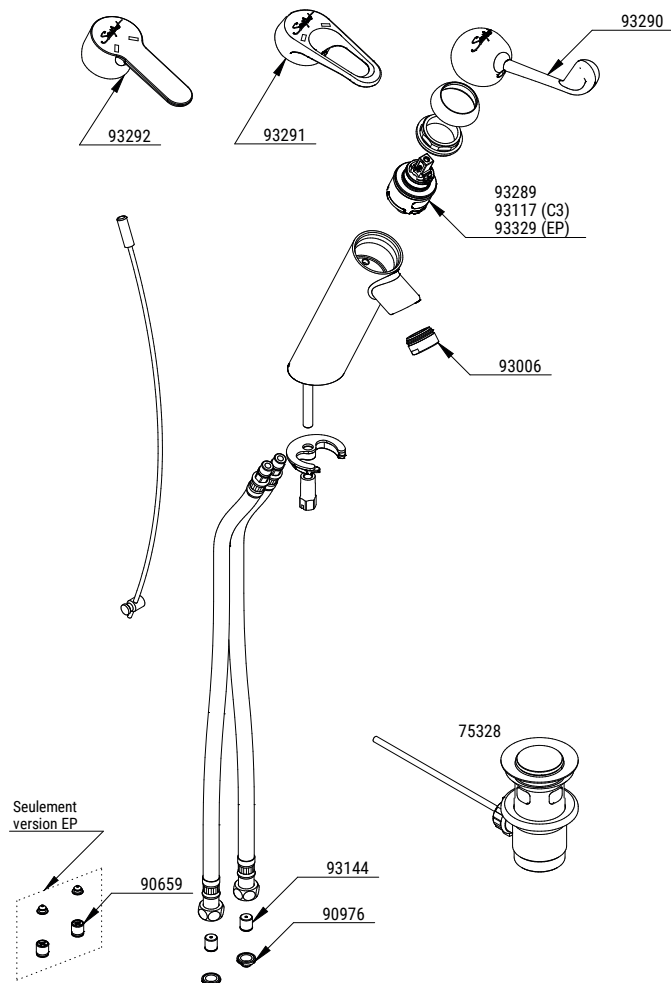
93292	Solid lever	d
93291	Openwork lever	e
93290	Elbow control	
93289	Ceramic cartridge Ø 35 mm	f
93006	Star flow-straightener M24X1 and cage (x10)	
75328	Brass waste M 1" 1/4	
93144	Flow limiters 4-6 l/min (x10)	
90976	Basket filter seals G 3/8 (x10)	



HoptiM®

## HOPTIM® C3

93288	Solid lever with marking C3
93117	Cartridge Ø 35 mm C3 and temperature limiter
93006	Star flow-straightener M24X1 and cage (x10)
75328	Brass waste M 1" 1/4
93144	Flow limiters 4-6 l/min (x10)
90976	Basket filter seals G 3/8 (x10)



# SPARE PARTS

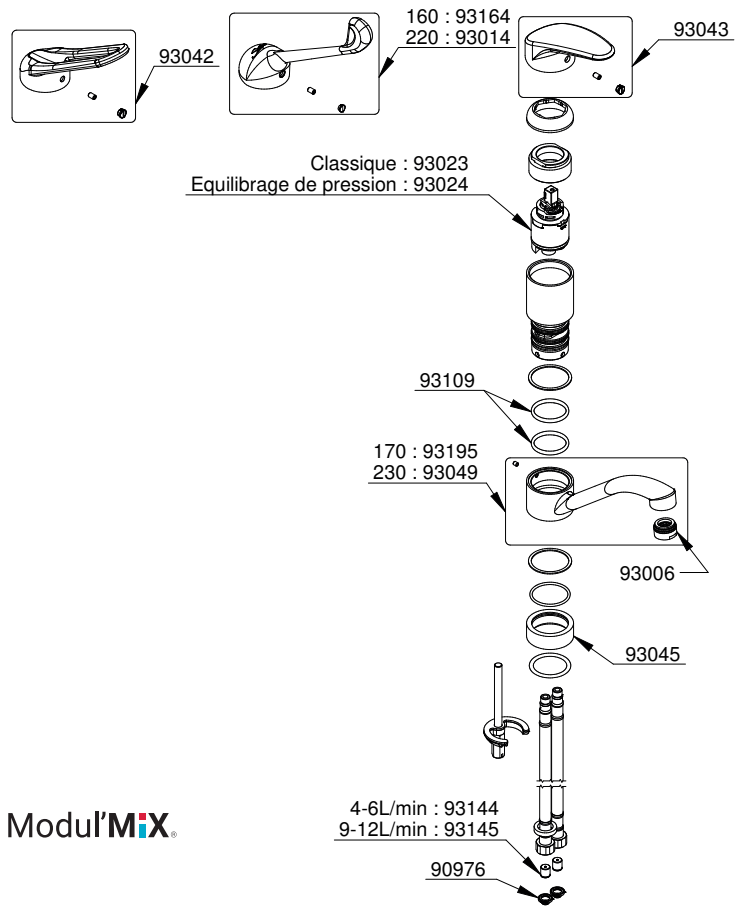


## MODUL'MIX®

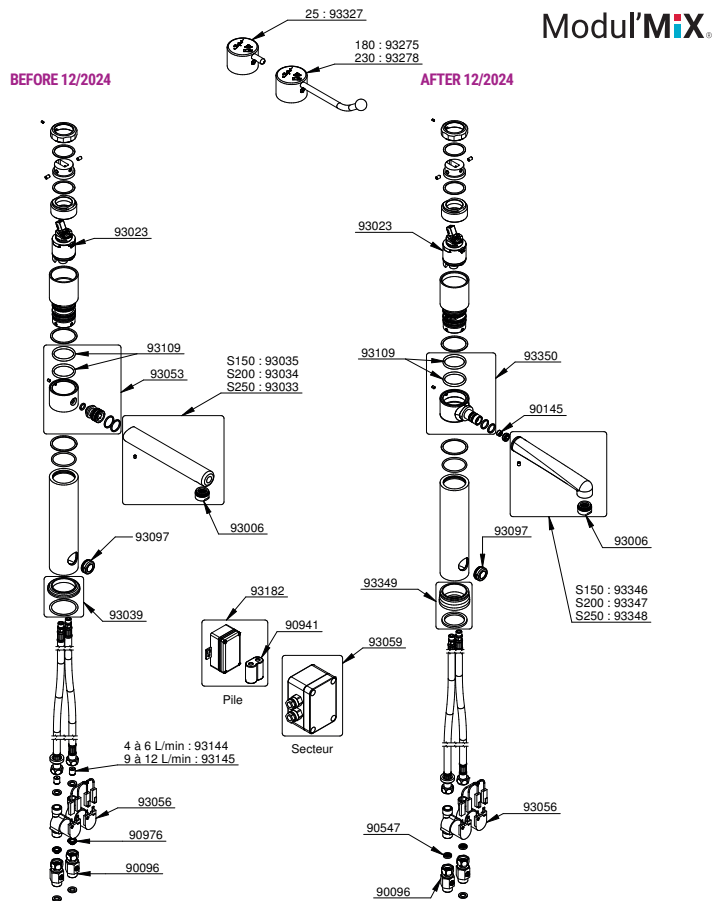
- 90976 Basket filter seals G 3/8 (x10)
- 93006 Star flow-straightener M24X1 and cage (x10)
- 93014 Elbow control length 220 mm
- 93023 Ceramic cartridge – high Ø 40 mm
- 93024 PB cartridge (pressure balancing) – Ø 40 mm
- 93042 Chrome-plated openwork lever
- 93043 Chrome-plated solid lever
- 93049 Swivel or fixed smooth tubular spout
- 93109 Seal body (x10)
- 93144 Flow limiters 4-6 l/min (x10)
- 93145 Flow limiters 9-12 l/min (x10)
- 93164 Elbow control length 160 mm
- 93195 Swivel or fixed smooth tubular spout

## MODUL'MIX® ELECTRONIC

- 90096 Straight stop valve M/F G3/8
- 90145 Flow regulator 6 l/min
- 90547 Filter seal G 3/8 (x20)
- 90941 Battery
- 90976 Basket filter seal G 3/8 (x10)
- 93006 Star flow-straightener M24X1 and cage (x10)
- 93014 Elbow control length 220 mm
- 93023 Ceramic cartridge – high Ø 40 mm
- 93033 Removable spout – projection 250 mm – chrome-plated (before 12/2024)
- 93034 Removable spout – projection 200 mm – chrome-plated (before 12/2024)
- 93035 Removable spout – projection 150 mm – chrome-plated (before 12/2024)
- 93039 Chrome-plated extension (x10)
- 93053 Rotating or fixed ring for removable spout
- 93056 Solenoid valve
- 93059 Power supply unit
- 93097 Electronic sensor with cage
- 93109 Seal body (x10)
- 93144 Flow limiters 4-6 l/min (x10)
- 93145 Flow limiters 9-12 l/min (x10)
- 93182 Battery box sensor version
- 93275 Elbow control length 180 mm - Modul'Mix sensor
- 93278 Elbow control length 230 mm - Modul'Mix sensor
- 93327 Short lever for sensor version
- 93346 Removable spout – projection 150 mm – chrome-plated (after 12/2024)
- 93347 Removable spout – projection 200 mm – chrome-plated (after 12/2024)
- 93348 Removable spout – projection 250 mm – chrome-plated (after 12/2024)
- 93349 Extension base
- 93350 Rotating ring for removable spout



Modul'Mix®



# SPARE PARTS

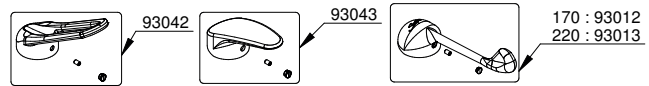


## MODUL'MIX®

- 90976 Basket filter seals G 3/8 (x10)
- 90145 Flow regulator 6 l/min
- 93006 Star flow-straightener M24X1 and cage (x10)
- 93012 Elbow control length 170 mm
- 93013 Elbow control length 220 mm
- 93023 Ceramic cartridge – high Ø 40 mm
- 93024 PB cartridge (pressure balancing) – Ø 40 mm
- 93033 Removable spout – projection 250 mm – chrome-plated (before 12/2024)
- 93034 Removable spout – projection 200 mm – chrome-plated (before 12/2024)
- 93035 Removable spout – projection 150 mm – chrome-plated (before 12/2024)
- 93039 Chrome-plated enhancement base (x10)
- 93042 Chrome-plated openwork lever
- 93043 Chrome-plated solid lever
- 93053 Rotating or fixed ring for removable spout
- 93109 Seal body (x10)
- 93144 Flow limiters 4-6 l/min (x10)
- 93145 Flow limiters 9-12 l/min (x10)
- 93346 Removable spout – projection 150 mm – chrome-plated (after 12/2024)
- 93347 Removable spout – projection 200 mm – chrome-plated (after 12/2024)
- 93348 Removable spout – projection 250 mm – chrome-plated (after 12/2024)
- 93349 Extension base
- 93350 Rotating ring for removable spout

## MODUL'MIX® SAFE+

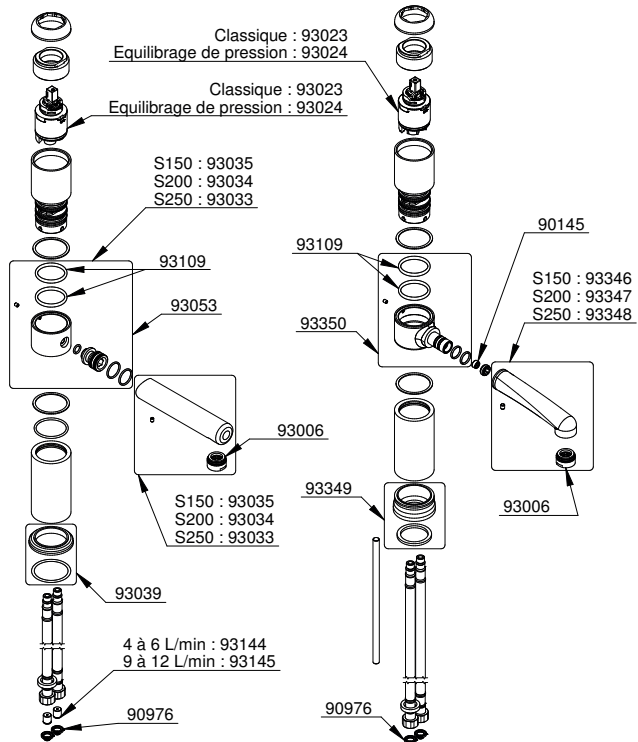
- 90145 Flow regulator 6 l/min
- 90976 Basket filter seals G 3/8 (x10)
- 93006 Star flow-straightener M24X1 and cage (x10)
- 93109 Seal body (x10)
- 93344 Thermostatic cartridge Modul'Mix Ø 40 mm
- 93346 Removable spout – projection 150 mm – chrome-plated (after 12/2024)
- 93347 Removable spout – projection 200 mm – chrome-plated (after 12/2024)
- 93348 Removable spout – projection 250 mm – chrome-plated (after 12/2024)
- 93349 Extension base
- 93350 Rotating ring for removable spout
- 93351 Elbow control length 160 mm - Modul'Mix thermostatic
- 93352 Elbow control length 210 mm - Modul'Mix thermostatic



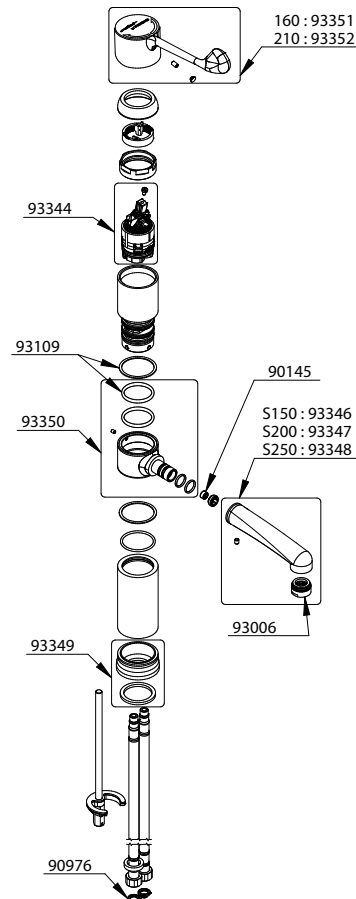
BEFORE 12/2024

AFTER 12/2024

Modul'MIX®



Modul'MIX® SAFE+

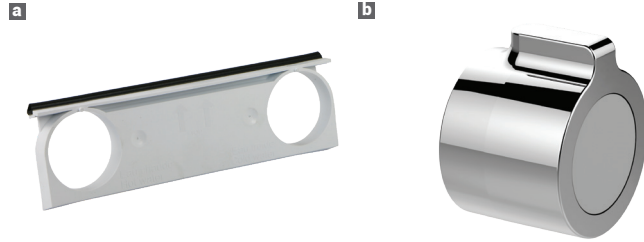


# SPARE PARTS



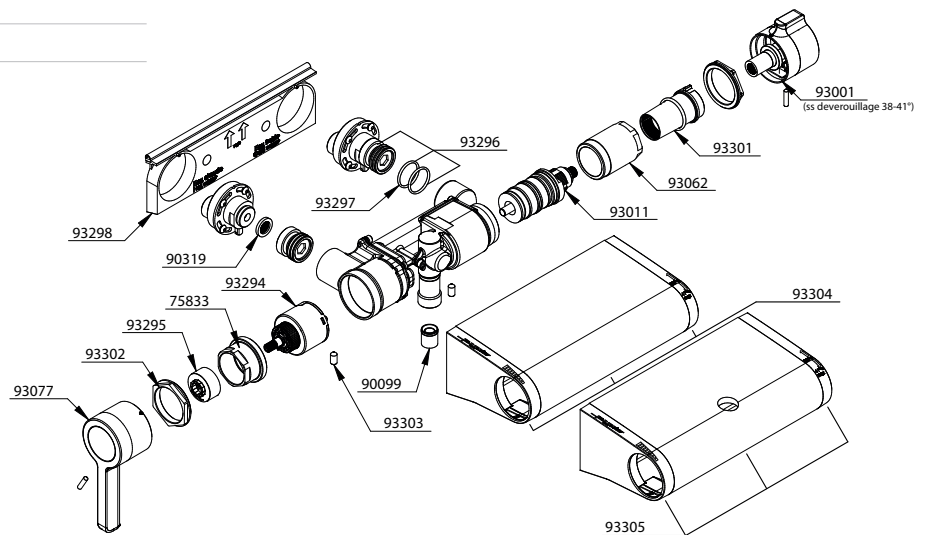
## MASTERMIX® APPLIQUE

- 75833 Nut for 4-hole cartridge for tablet (x2)
- 90099 Check valve (x5)
- 90319 Filter seals (x20)
- 93001 Temperature knob **b**
- 93011 Thermostatic cartridge
- 93062 Tightening nut for thermostatic cartridge EA150 (x2)
- 93077 Long flow lever Mastermix
- 93294 4-hole cartridge
- 93295 Flow limiter (x5)
- 93296 Eccentric stop valve
- 93297 Stop valve O-ring (x10)
- 93298 Reinforcement plate **a**
- 93299 Flow knob Mastermix exposed (old model)
- 93301 Temperature limiter (x5)
- 93302 Nylon retaining nuts (x10)
- 93303 Screw M6 (x10)
- 93304 Low exposed shower cover kit
- 93305 High exposed shower cover kit

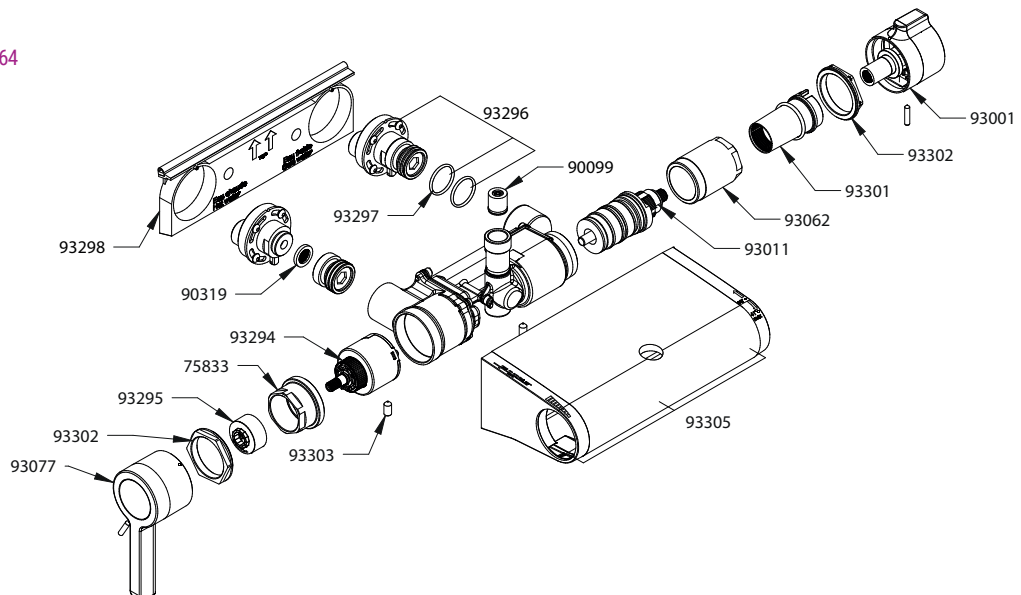


MasterMiX®

75948 / 75963



75949 / 75964

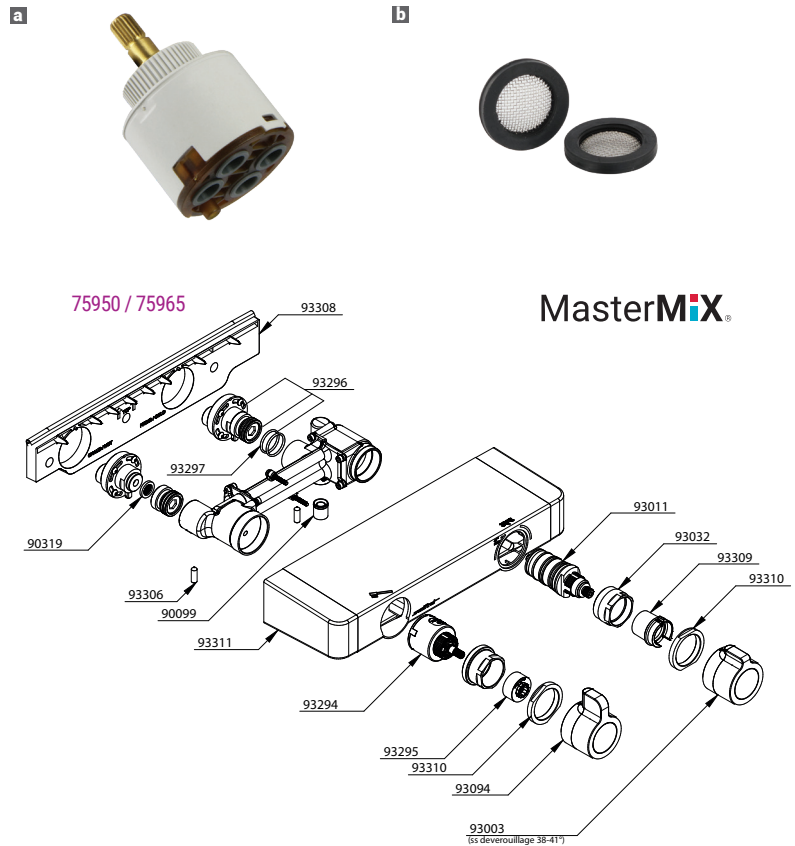


# SPARE PARTS



## MASTERMIX® COFFRET (75950 / 75965)

- 75833 Nut for 4-hole cartridge for tablet (x2)
- 90099 Check valve (x5)
- 90319 Filter seals (x20)
- 93003 Temperature knob **b**
- 93011 Thermostatic cartridge
- 93032 Nut for thermostatic cartridge (x2)
- 93094 High flow lever
- 93294 4-hole cartridge **a**
- 93295 Flow limiter (x5)
- 93296 Eccentric stop valve
- 93297 Stop valve O-ring (x10)
- 93306 Screw M6 (x10)
- 93308 Reinforcement plate
- 93309 Temperature limiter for tablet (x5)
- 93310 Nylon retaining nut for tablet (x10)
- 93311 Casing shower tablet



## MASTERMIX® TOUCH® (75951 / 75953)

- 90319 Filter seals (x20)
- 90480 Cable extension 1m
- 90941 Battery **b**
- 91045 Solenoid valve **a**
- 91048 Filter seal solenoid valve (x5)
- 91197 Battery case and battery
- 93003 Temperature knob
- 93011 Thermostatic cartridge
- 93032 Nut for thermostatic cartridge (x2)
- 93296 Eccentric stop valve
- 93297 Stop valve O-ring (x10)
- 93306 Screw M6 (x10)
- 93308 Reinforcement plate
- 93309 Temperature limiter for tablet (x5)
- 93310 Nylon retaining nut for tablet (x10)
- 93313 Touch button Mastermix
- 93314 Cable Y
- 93315 Non-return valve limiter 8 l/min (x5)
- 93316 Casing shower tablet Mastermix Touch



75951 / 75953

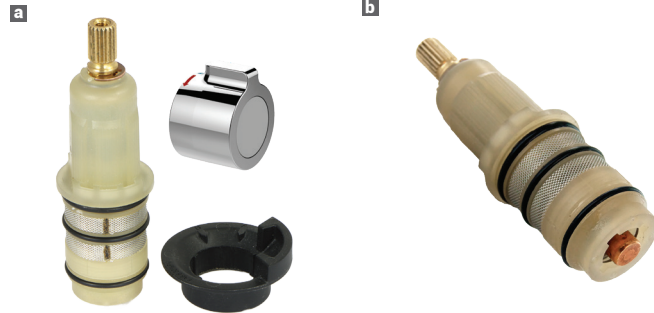
MasterMix®

# SPARE PARTS

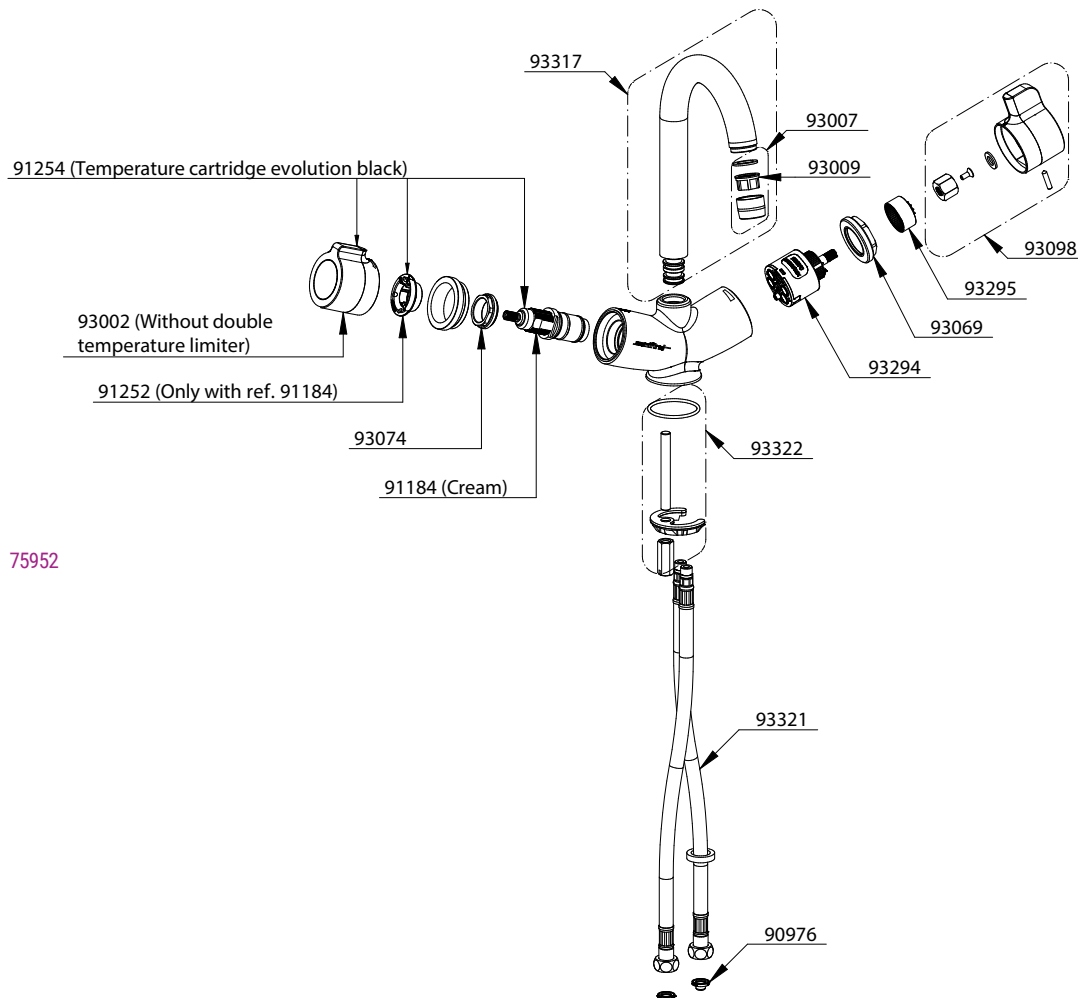


## MASTERMIX® LAVABO (75952)

90976	Basket filter seals G 3/8 (x10)
91184	Thermostatic cartridge only - cream <b>b</b>
91252	Temperature limiter for cartridge - cream (x5)
91254	Temperature cartridge evolution <b>a</b>
93002	Temperature knob
93007	Star aerator F22X1 and cage (x10)
93009	Star aerator only (x50)
93069	Tightening nut for 4-way cartridge (x2)
93074	Cartridge button M30 (x2)
93098	High flow knob
93294	4-hole cartridge
93295	Flow limiter (x5)
93317	Swivel washbasin spout with fastening screw Mastermix
93318	Temperature limiter for cartridge - black (x5)
93319	Flow knob standard
93321	Hoses M10x1 EP G'3/8 (x2)
93322	Clamping bracket kit
93328	Flow knob extra long



MasterMiX®



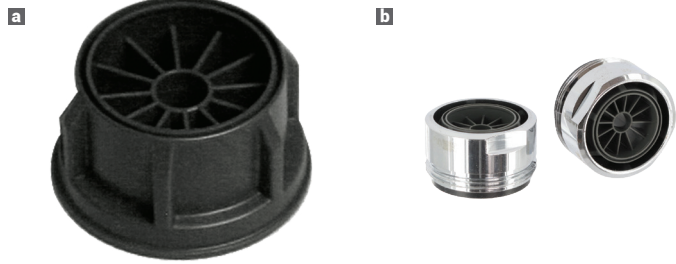
75952

# SPARE PARTS

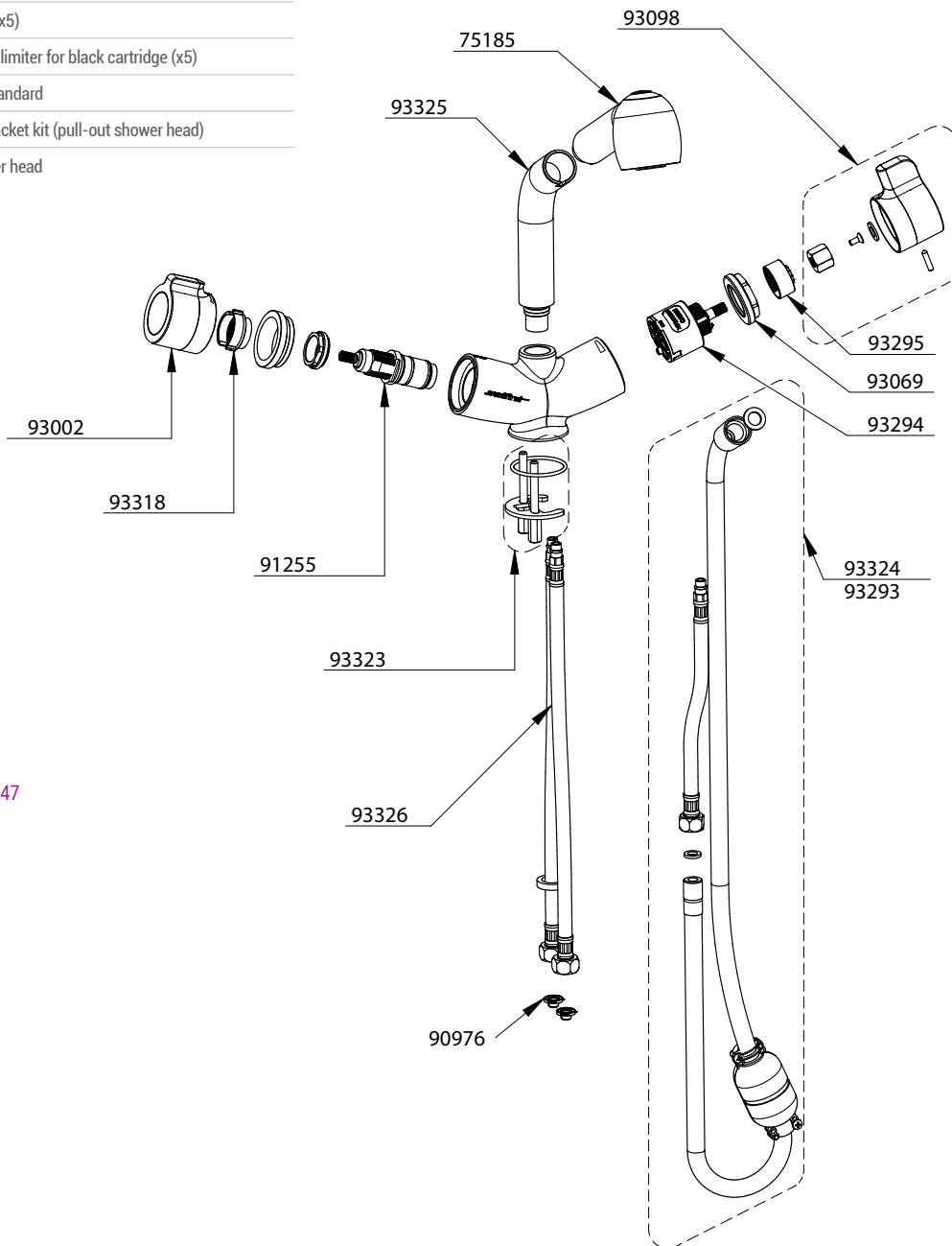


## MASTERMIX® BABY BATH (74051 ET 74047)

- 75185 2-jet sink spray
- 90887 Thermostatic cartridge only
- 90976 Basket filter seals G 3/8 (x10)
- 91255 Thermostatic cartridge douchette
- 93002 Température knob
- 93006 Star flow-straightener M24X1 and cage (x10) **b**
- 93009 Star aerator only (x50) **a**
- 93069 Tightening nut for 4-way cartridge (x2)
- 93098 High flow knob
- 93293 Hoses shower head (smooth black)
- 93294 4-hole cartridge
- 93295 Flow limiter (x5)
- 93318 Temperature limiter for black cartridge (x5)
- 93319 Flow knob standard
- 93323 Clamping bracket kit (pull-out shower head)
- 93324 Hoses shower head



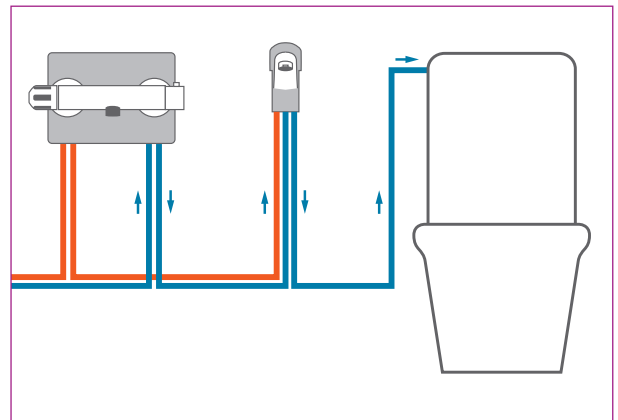
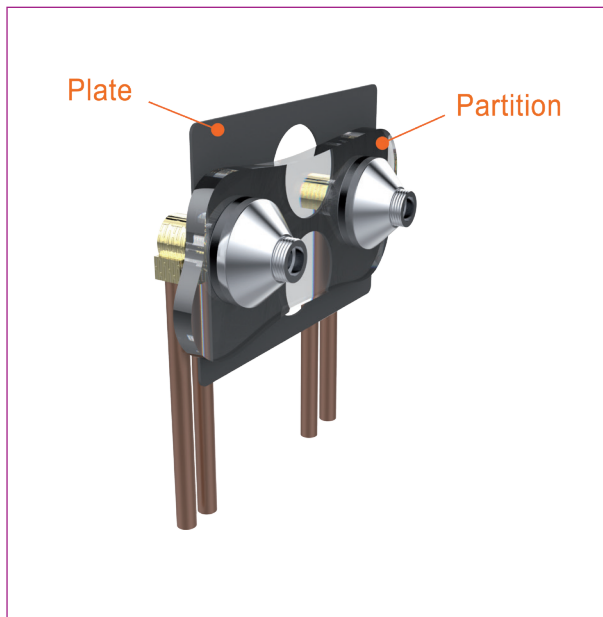
MasterMIX®



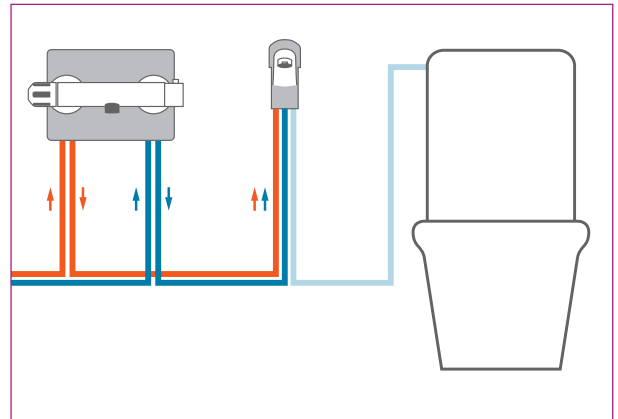
74051 / 74047

# CIRCULATION PLATE

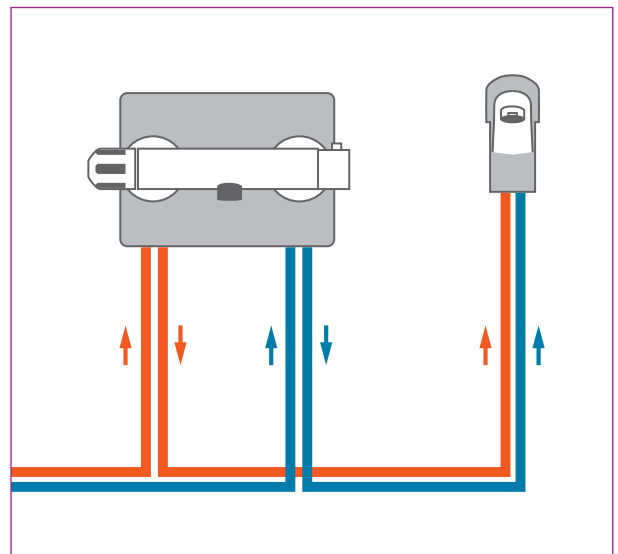
## INSTALLATION EXAMPLES FOR OUR CIRCULATION PLATES



**Filling the cistern** causes cold water to circulate throughout the shower and washbasin network.



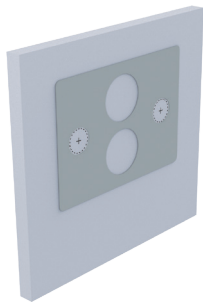
**Using the mixer tap** causes hot water to circulate through the shower network.



**Using the tap** causes cold or hot water to circulate through the shower network.

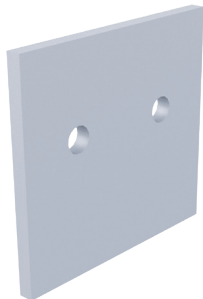
# PLATE INSTALLATION DIAGRAM

## STEP 1



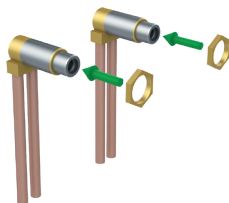
Position the reinforcing plate horizontally on the partition at the desired height. Use the two small holes as a drilling template.

## STEP 2



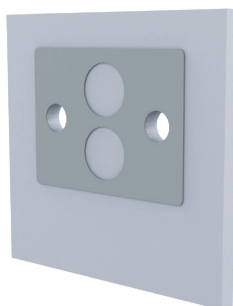
Pierce the partition at the markings made in step 1.

## STEP 3



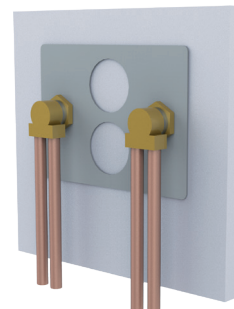
Screw a counter nut all the way onto each connector.

## STEP 4



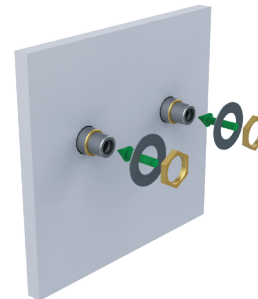
Position the reinforcing plate at the back of the partition, opposite the holes made in step 2.

## STEP 5



Slide the connectors at the back of the partition across the reinforcing plate and the partition. Position the copper pipes so that they are pointing up or down depending on where the supply inlet is located.

## STEP 6



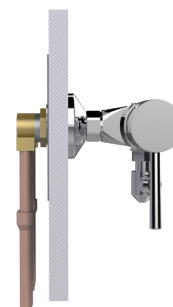
On the tapware side, first fit the washer supplied to each connector, followed by the nut.

## STEP 7



Adjust the positioning in relation to the partition by turning the nut and counter nut, then tighten all the elements to fix them in position.

## STEP 8



Connect the copper pipes to your network by soldering, then flush the network. Mount the tapware on the connectors and ensure that all the equipment is leak-tight.

# CIRCULATION PLATE



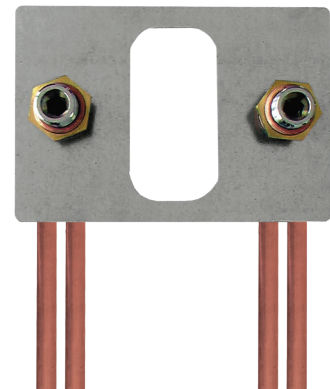
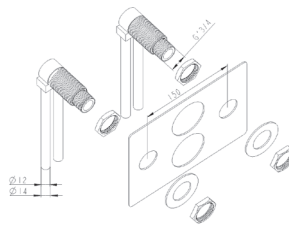
## WALL MOUNTING KIT FOR TAP SPAN 150 mm

### WITH HOT AND COLD WATER LOOP-BACK

■ Connection M G 3/4"

**75238** Copper pipe 12 × 14 for soldering, length 183 mm

Available in long lengths on demand



# CIRCULATION PLATE



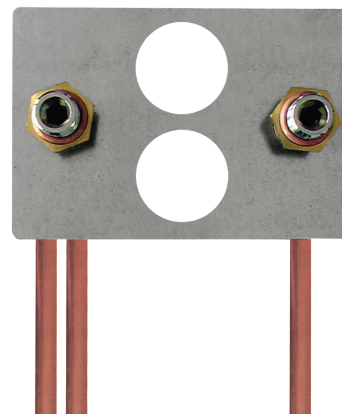
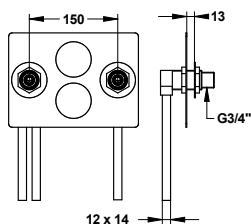
## WALL MOUNTING KIT FOR TAP SPAN 150 mm

### WITH INTEGRATED LOOP-BACK

■ Connection M G 3/4"

75235 Copper pipe 12 × 14 for soldering, length 183 mm

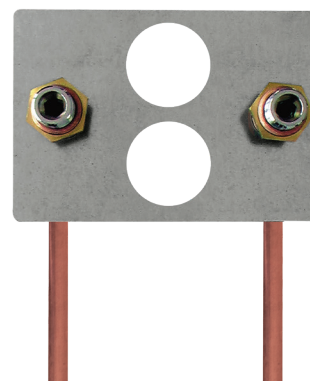
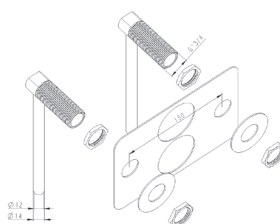
Available in long lengths on demand



■ Connection M G 3/4"

75239 Copper pipe 12 × 14 for soldering

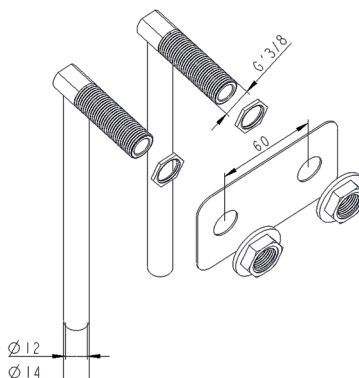
75241 Slip-on connector for pipe PER 13 × 16



## WALL MOUNTING KIT FOR SINGLE-HOLE TAP

■ Connection M G 3/8"

75242 Copper pipe 12 × 14 for soldering





- 88866 - PRESTOTEM® 2 DUAL CONTROL MASTERMIX®
- 91042 - HANDHELD SHOWER KIT
- 60471 - HANDHELD SHOWER SLIDER
- 60331 - CORNER BAR WITH VERTICAL BAR
- 60420 - HOOK-ON SHOWER SEAT
- 91037 - SOAP/ GEL HOLDER
- 60355 - PEG
- 60478 - FLOOR TRAP



# SAFETY EQUIPMENT FOR SENIORS AND PEOPLE WITH REDUCED MOBILITY

<b>SELECTION GUIDE</b>	<b>122</b>
<b>REGULATIONS</b>	<b>124</b>
<b>FINITION DES BARRES</b>	<b>126</b>
<b>GRAB BAR AND SUPPORT RAILS</b>	
SUPPORT RAIL FOR ALL APPLICATIONS	128
TOILET BAR	129
SHOWER BAR	132
<b>SHOWER SEAT</b>	
SHOWER SEAT	138
BACKREST	139
SHOWER SEAT	139
<b>ECONOMY RANGE</b>	
SHOWER SEAT	140
SHOWER AND BATH STOOL	140
GRAB BAR	141
<b>ACCESSORIES AND CERAMICS</b>	
MIRROR / ERGONOMIC WASHBASIN	142
TOILET BOWL, SEAT AND MOUNTING FRAME	143
<b>SINK SPRAYER</b>	<b>144</b>

# SELECTION GUIDE

## BRUSHED STAINLESS STEEL RANGE



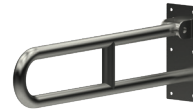
ALL APPLICATIONS  
p 128



ANGLED BAR  
p 129



ANGLED BAR  
p 130



FOLDAWAY BAR  
p 130



ANGLED BAR  
p 132



CORNER BAR  
p 133



GRAB BAR WITH HAND-  
HELD SHOWER SLIDER  
p 134



T BAR  
p 135



CORNER BAR WITH  
VERTICAL BAR  
p 136

## ALUMINIUM RANGE WITH ANTIBACTERIAL ABS COATING



ALL APPLICATIONS  
p 128



ANGLED BAR  
p 129



ANGLED BAR  
p 130



FOLDAWAY BAR  
p 130



ANGLED BAR  
p 132



CORNER BAR  
p 133



GRAB BAR WITH SLIDER  
p 134



T BAR  
p 135



CORNER BAR WITH  
VERTICAL BAR  
p 136

## ECONOMY RANGE



SEAT  
p 140



STOOL  
p 140



GRAB BAR  
p 141



GRAB BAR  
p 141

---

## ACCESSORIES



SHOWER SEAT  
p 138



MIRROR  
p 142



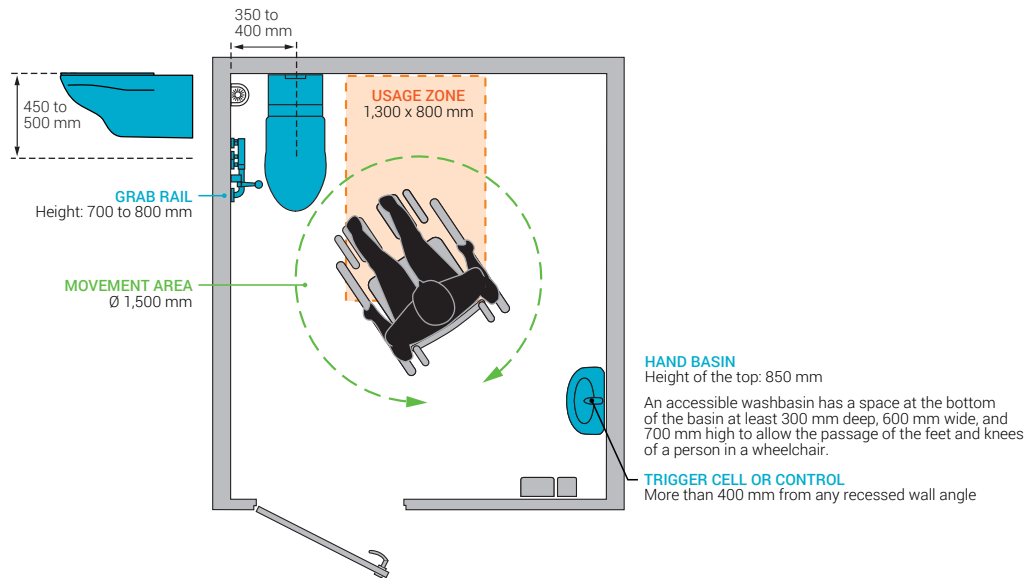
CERAMICS  
p 143



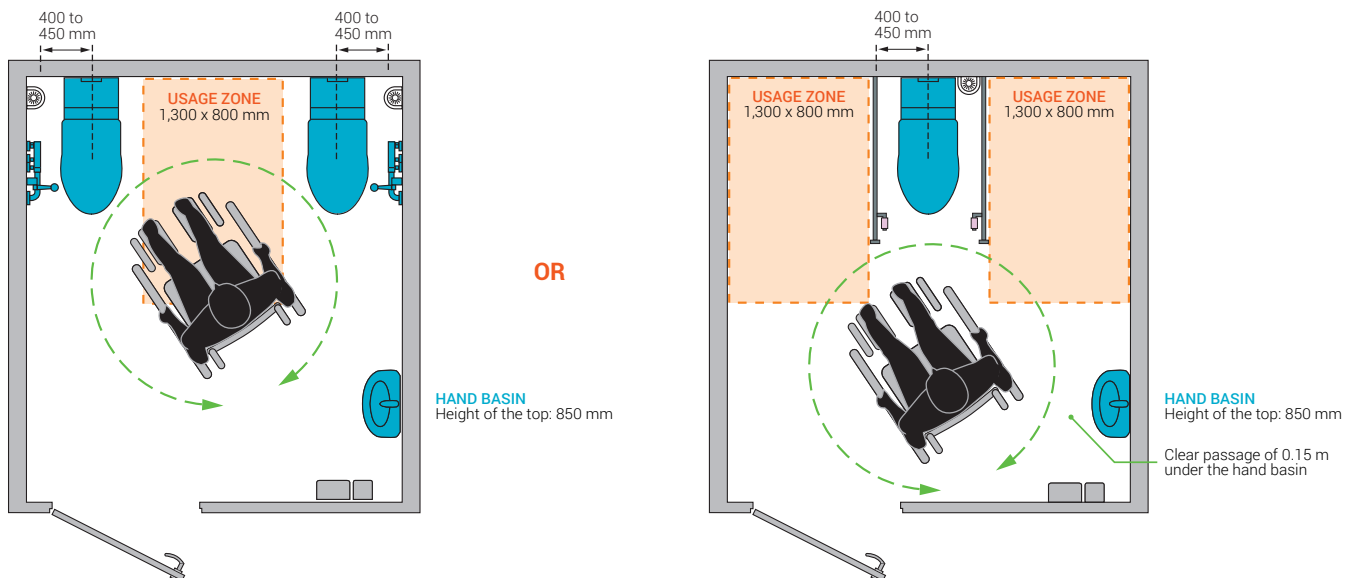
SINK SPRAYER  
p 144

# MOBILITY-IMPAIRED USE ZONES AND RECOMMENDED SIZES

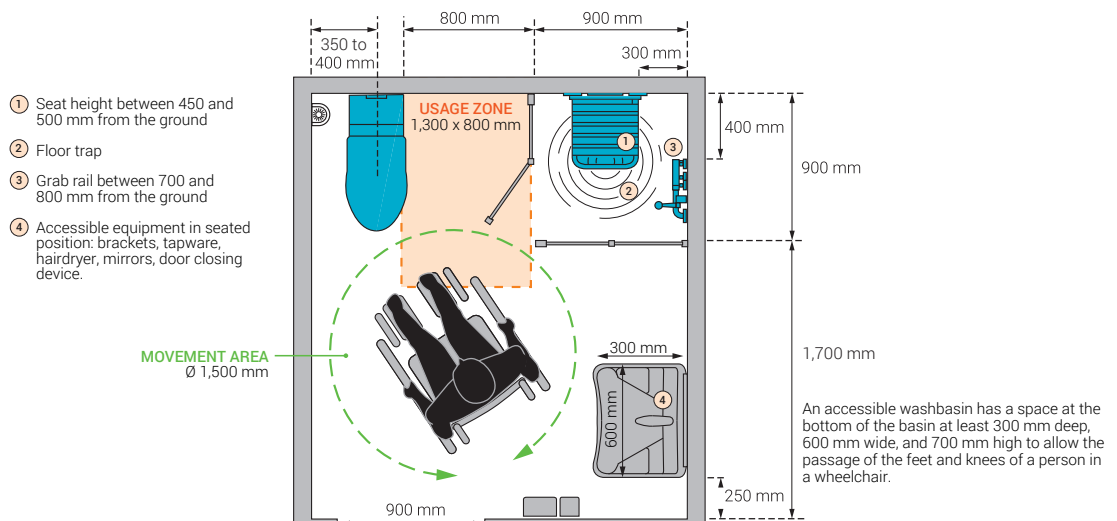
TOILETS (EXISTING OR NEW FACILITY OPEN TO THE PUBLIC) WITH BUILDING PERMIT DATED PRIOR TO 01/07/2017



TOILETS (NEW FACILITY OPEN TO THE PUBLIC) WITH BUILDING PERMIT DATED ON OR AFTER 1/07/2017



ESTABLISHMENTS AND INSTALLATIONS COMPRISING SHOWERS, FITTING ROOMS OR CHANGING ROOMS (NEW OR EXISTING FACILITY OPEN TO THE PUBLIC)



- ① Seat height between 450 and 500 mm from the ground
- ② Floor trap
- ③ Grab rail between 700 and 800 mm from the ground
- ④ Accessible equipment in seated position: brackets, tapware, hairdryer, mirrors, door closing device.

# ERGONOMIC SOLUTIONS FOR EASIER ACCESS



Sight impaired



Motor deficiency



Mental or psychiatric deficiency

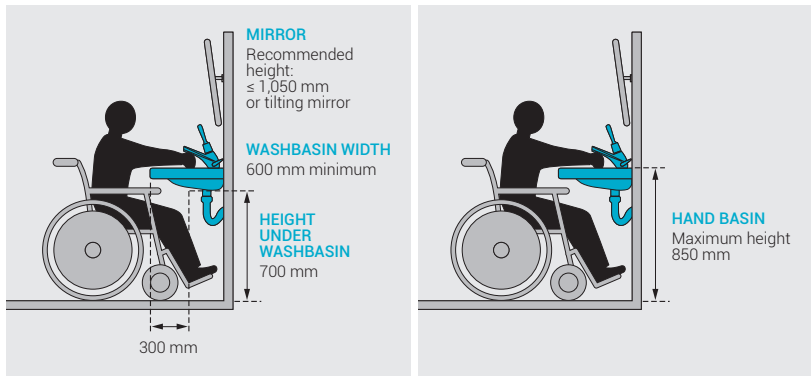


The elderly



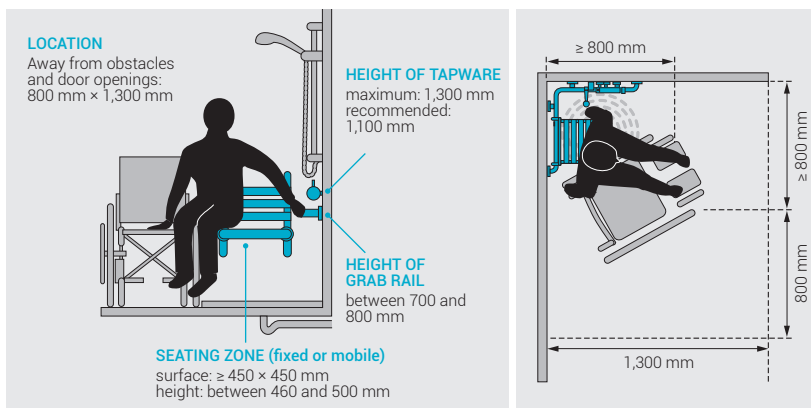
Sign language

## WASHBASIN ACCESS AND SUPPORT



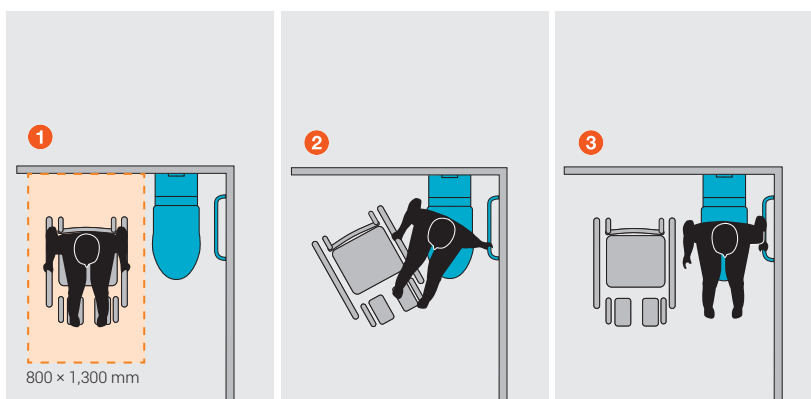
- The equipment chosen must allow full usage from a seated position.
- PRESTO recommendation: the siphon should preferably be offset.

## SHOWER TRANSFERS AND SUPPORT



- Space clear of any obstacles (800 x 1,300 mm) near the shower seat.
- Floor trap or extra flat shower tray with flat plug-hole.

## WC TRANSFER AND RAISING



- Sideways transfer steps for a person with reduced mobility.
- The area next to the toilets must be 800 x 1,300 mm to make this transfer easier.

# GRAB AND SUPPORT BAR FINISHES

As part of our accessibility range, we offer two ranges of grab and support bars.

## 4 SHAPES

- Straight
- Angled
- Corner
- Foldaway

## 3 DIAMETERS

- 25 mm
- 32 mm
- 34 mm

## 4 FINISHES

- 304 grade brushed stainless steel
- Anti-bacterial ABS coated aluminium
- Chrome-plated 201 grade stainless steel
- White epoxy steel

## PREMIUM RANGE

### STRAIGHT RAIL FINISHES

### 304 GRADE BRUSHED STAINLESS STEEL Ø 32

304 grade austenitic stainless steel is advantageous in harsh environments. It has a satin finish.

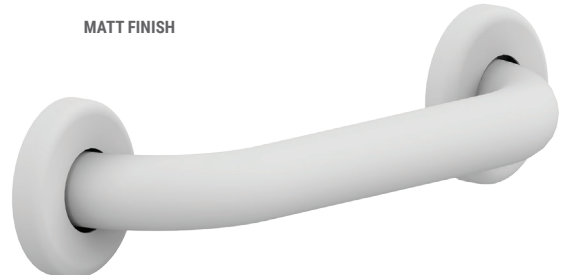
### ANTI-BACTERIAL ABS COATED ALUMINIUM Ø 34










Aluminium with silver ions has a powerful anti-bacterial effect on a wide variety of bacteria for the entire service life of the product.

BRUSHED FINISH



MATT FINISH



 <p>RESISTANCE TO CORROSION</p>	 <p>RESISTANT TO BACTERIA</p> 
 <p>RESISTANCE TO HEAVY LOADS</p>	 <p>SPECIALLY ADAPTED WARM TOUCH FOR VULNERABLE USERS</p>
 <p>EASY TO CLEAN</p>	 <p>RESISTANCE TO HEAVY LOADS</p>
 <p>DESIGN</p>	 <p>RESISTANCE TO CORROSION</p>



**ECONOMY RANGE** | STRAIGHT RAIL FINISHES

**201 GRADE CHROME-PLATED STAINLESS STEEL Ø 25**

201 grade chrome-plated stainless steel is recommended for dry environments.

**WHITE EPOXY STEEL Ø 25**

The white epoxy finish creates a bright appearance and is suitable for all environments.

BRIGHT FINISH



BRIGHT FINISH



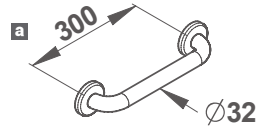
	DESIGN
	GOOD PRICE/QUALITY RATIO
	FOR UNIVERSAL USE

	DESIGN
	GOOD PRICE/QUALITY RATIO
	FOR UNIVERSAL USE

## GRAB BAR – Ø 32 mm

## 304 BRUSHED STAINLESS STEEL FINISH

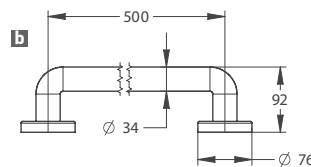
60311	Straight bar 300 mm - 2 points	<b>a</b>
60313	Straight bar 400 mm - 2 points	
60315	Straight bar 500 mm - 2 points	
60317	Straight bar 600 mm - 2 points	
60318	Straight bar 900 mm - 2 points	



## GRAB BAR – Ø 34 mm

## ANTI-BACTERIAL ABS COATED ALUMINIUM FINISH

60451	Straight bar 300 mm - 2 points	Hygien +
60452	Straight bar 400 mm - 2 points	Hygien +
60468	Straight bar 500 mm - 2 points	Hygien +
60453	Straight bar 600 mm - 2 points	Hygien +
60454	Straight bar 900 mm - 3 points	Hygien +

**i** PRESTO TIP

Straight bars can be fitted horizontally (grab bar) or inclined at 135° (support bar).

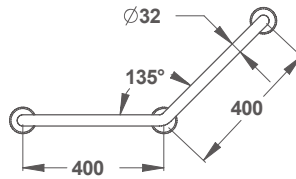
# BAR FOR TOILET



## ANGLED BAR 135° – Ø 32 mm

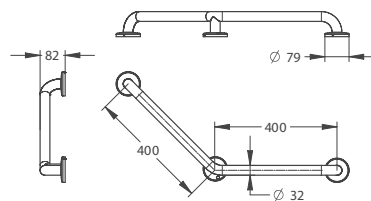
304 BRUSHED STAINLESS STEEL FINISH

60324 400 × 400 mm – 3 fixture points



## WHITE EPOXY STEEL FINISH

60529 400 × 400 mm – 3 fixture points

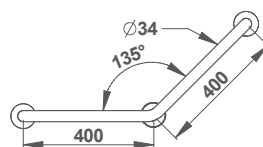


## ANGLED BAR 135° – Ø 34 mm

ANTI-BACTERIAL ABS COATED ALUMINIUM FINISH

60581 400 × 400 mm –  
3 fixture points

Hygien +



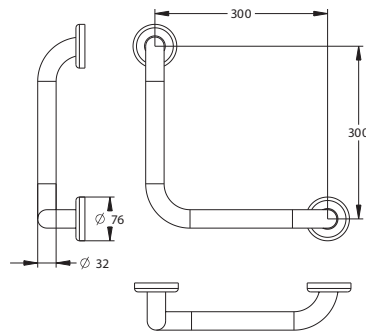
# BAR FOR TOILET



## ANGLED BAR 90° – Ø 32 mm

304 BRUSHED STAINLESS STEEL FINISH

60325 300 × 300 mm – 2 fixture points

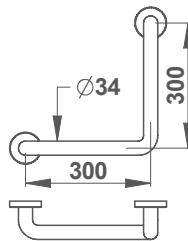


## ANGLED BAR 90° – Ø 34 mm

ANTI-BACTERIAL ABS COATED ALUMINIUM FINISH

60715 300 × 300 mm  
2 fixture points

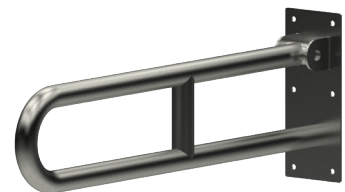
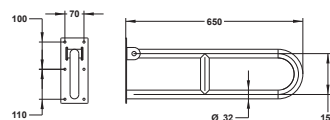
Hygien +



## FOLDAWAY BAR – Ø 32 mm

304 BRUSHED STAINLESS STEEL FINISH

60326 Length 650 mm



## FOLDAWAY BAR – Ø 34 mm

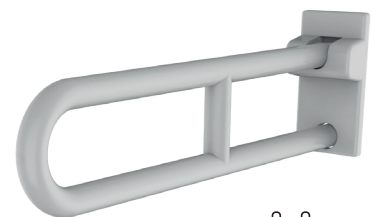
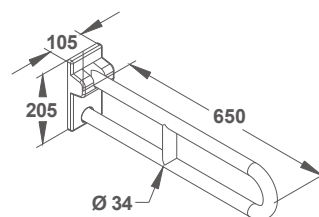
ANTI-BACTERIAL ABS COATED ALUMINIUM FINISH

60809 Length 650 mm

Hygien +

60812 Length 850 mm

Hygien +



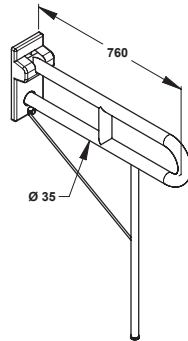
# BAR FOR TOILET



## FOLDAWAY BAR – Ø 35 mm WITH SUPPORTING LEG

FINITION INOX 304 FINITION ÉPOXY BLANC

60799 Length 760 mm

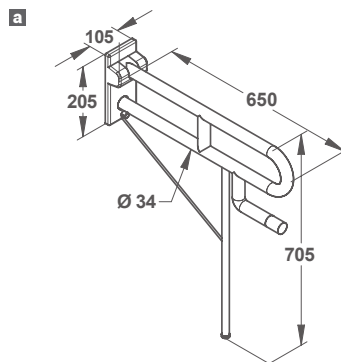


## FOLDAWAY BAR – Ø 34 mm WITH SUPPORTING LEG & PAPER HOLDER

ANTI-BACTERIAL ABS COATED ALUMINIUM FINISH

60773 Length 650 mm **a** Hygien +

60776 Length 850 mm Hygien +



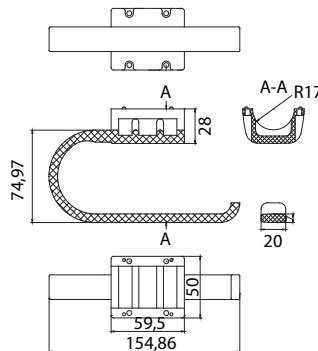
### **i** LE CONSEIL PRESTO

Utilisation principalement dans les lieux d'aisance, mais également dans toutes les situations où une aide est nécessaire pour se relever de la station assise : déplacement fauteuil-lit, lit, monte escalier.

## PAPER HOLDER FOR BAR – Ø 32 mm

ANTHRACITE GREY ABS FINISH

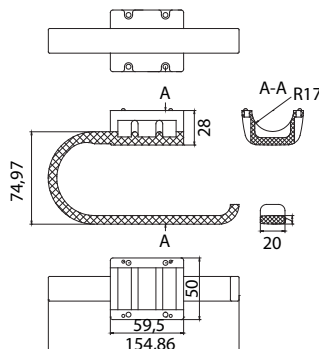
60469 Length 154 mm



## PAPER HOLDER FOR BAR – Ø 34 mm

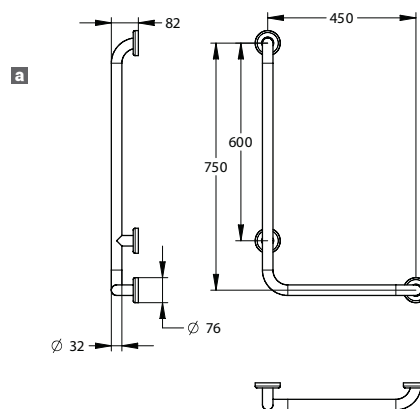
WHITE ABS FINISH

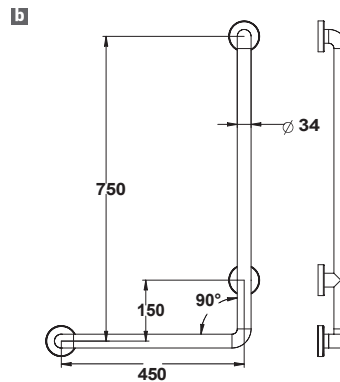
60470 Length 154 mm



**ANGLED BAR 90° – Ø 32 mm**
**304 BRUSHED STAINLESS STEEL FINISH**
**60329** 450 x 750 mm – Left side model **a**
**60330** 450 x 750 mm – Right side model

**60336** 450 x 1150 mm – Left side model

**60337** 450 x 1150 mm – Right side model

**ANGLED BAR 90° – Ø 34 mm**
**ANTI-BACTERIAL ABS COATED ALUMINIUM FINISH**
**60761** 450 x 750 mm  
Left or right side model **b** Hygien +

**60338** 450 x 1150 mm  
Left or right side model Hygien +

**ACCESSORIES**
**HANDHELD SHOWER SLIDER**
**60461** For bar Ø 34 mm – white ABS

**60471** For bar Ø 32 mm – satin **c**


# BAR FOR SHOWER



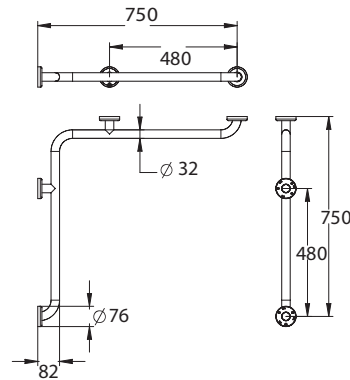
## CORNER BAR – Ø 32 mm

304 BRUSHED STAINLESS STEEL FINISH

60328 750 mm × 750 mm

**i PRESTO TIP**

Can support a hook-on shower seat p 134.



## CORNER BAR – Ø 34 mm

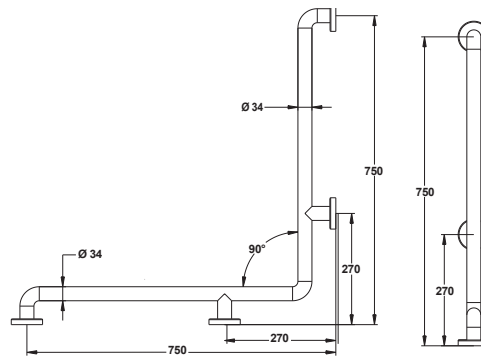
ANTI-BACTERIAL ABS COATED ALUMINIUM FINISH

60743 750 mm × 750 mm

Hygien +

**i PRESTO TIP**

Can support a hook-on shower seat p 134.



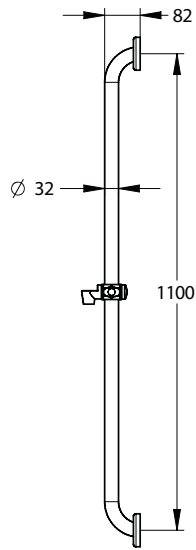
# BAR FOR SHOWER



## BAR WITH HANDHELD SHOWER SLIDER – Ø 32 mm

304 BRUSHED STAINLESS STEEL FINISH

60472 Length 1100 mm

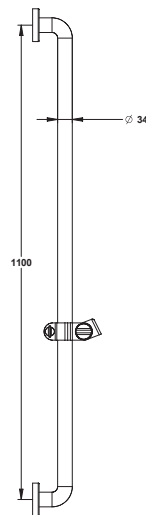


## BAR WITH HANDHELD SHOWER SLIDER – Ø 34 mm

ANTI-BACTERIAL ABS COATED ALUMINIUM FINISH

60664 Length 1100 mm

Hygien+



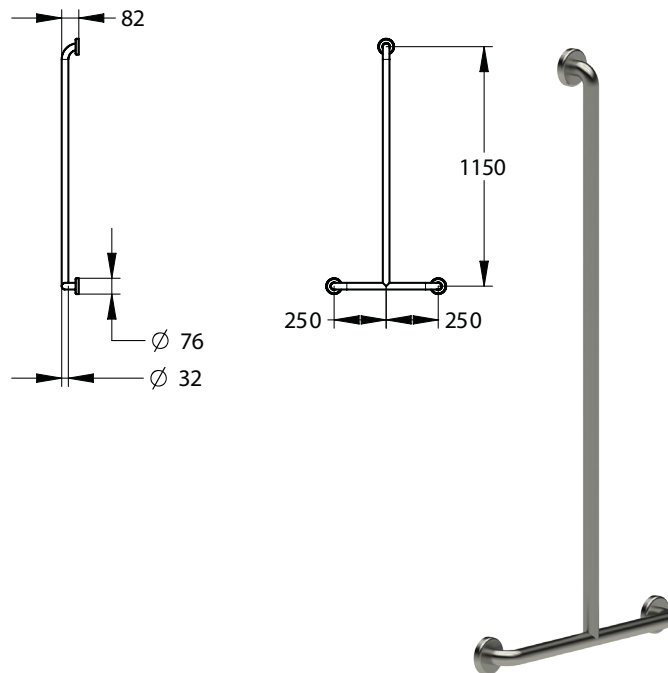
# BAR FOR SHOWER



## T SHAPED BAR – Ø 32 mm

304 BRUSHED STAINLESS STEEL FINISH

60333 500 mm × 1 150 mm

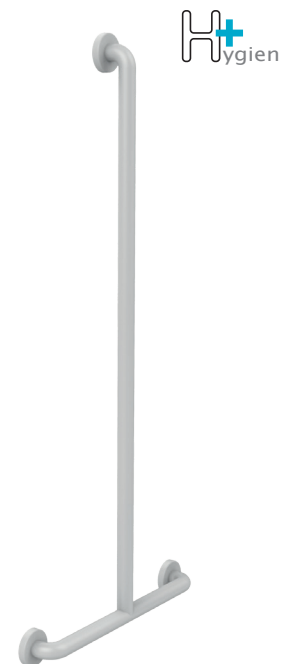
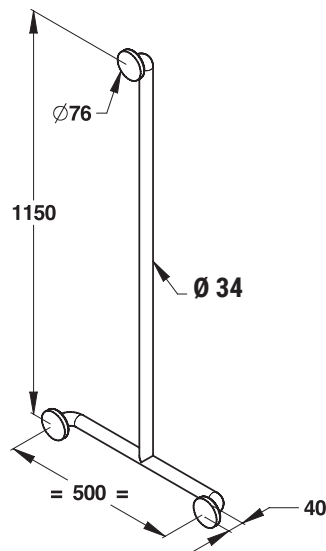


## T SHAPED BAR – Ø 34 mm

ANTI-BACTERIAL ABS COATED ALUMINIUM FINISH

60754 500 mm × 1 150 mm

Hygien +




# BAR FOR SHOWER

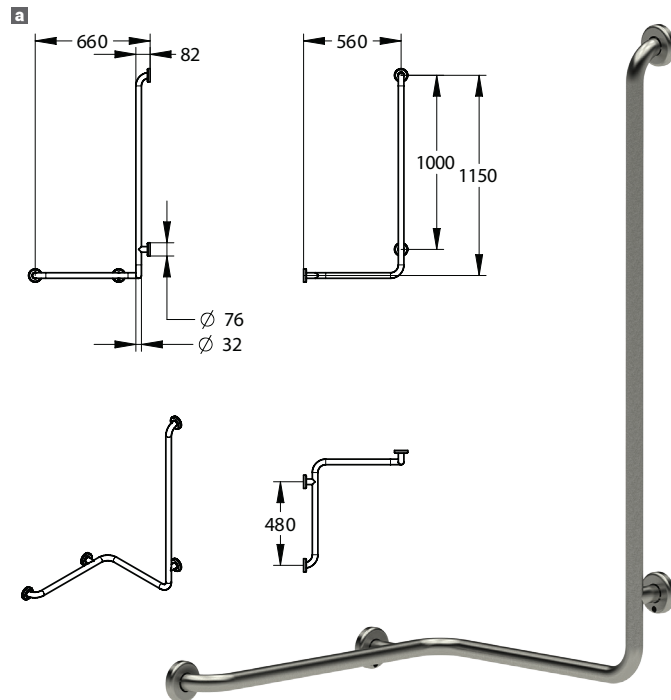


## CORNER BAR - Ø 32 mm WITH VERTICAL BAR

304 BRUSHED STAINLESS STEEL FINISH

60331 Left model

60332 Right model 

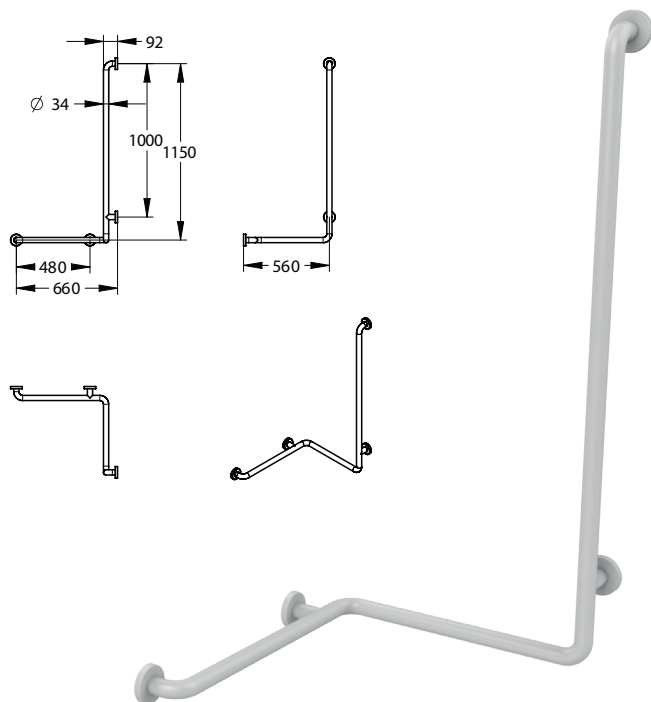


## CORNER BAR - Ø 34 mm WITH VERTICAL BAR

ANTI-BACTERIAL ABS COATED ALUMINIUM FINISH

60724 Left or right side model

Hygien +



# BAR FOR SHOWER

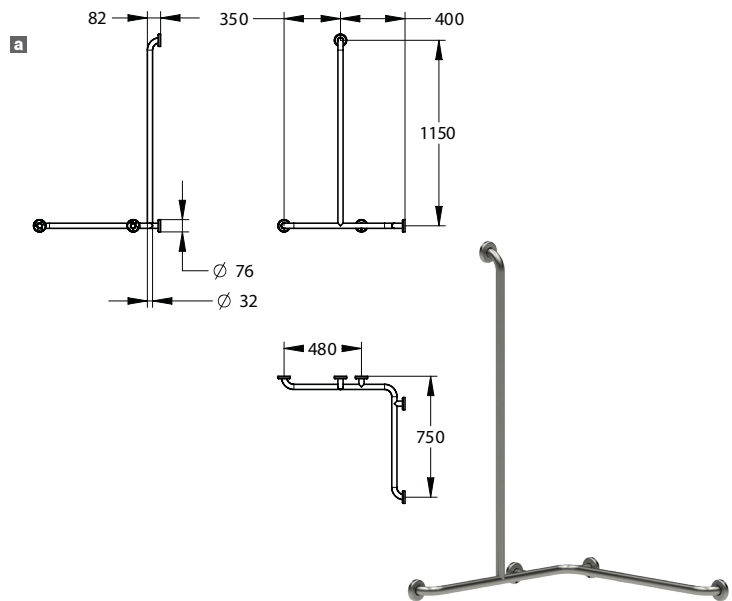


## CORNER BAR - Ø 32 mm WITH VERTICAL BAR

304 BRUSHED STAINLESS STEEL FINISH

60334 Left model **a**

60335 Right model

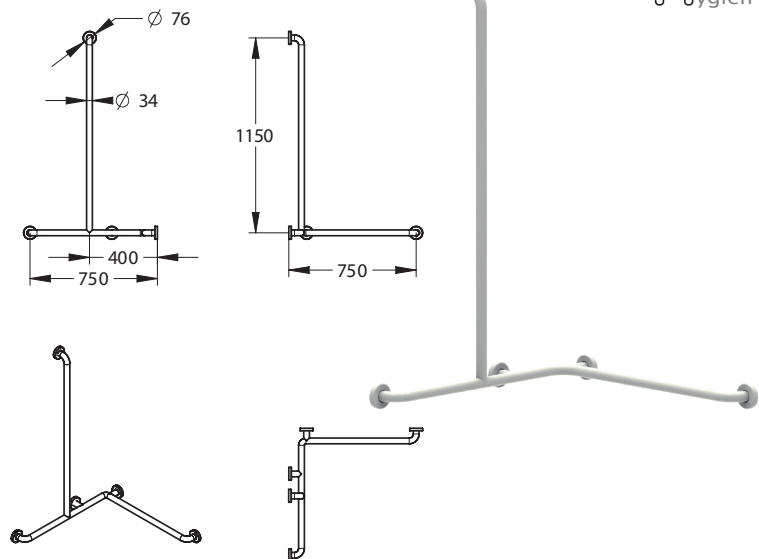


## CORNER BAR - Ø 34 mm WITH VERTICAL BAR

ANTI-BACTERIAL ABS COATED ALUMINIUM FINISH

60736 Left or right side model

Hygien +



SHOWER SEAT

# SHOWER SEAT



## HOOK-ON SHOWER SEAT

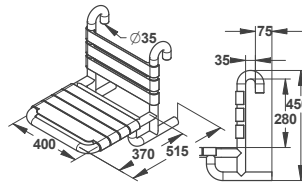
NYLON COATED ALLUMINIUM

60420 Hook-on seat

Hygien +

**i** PRESTO TIP

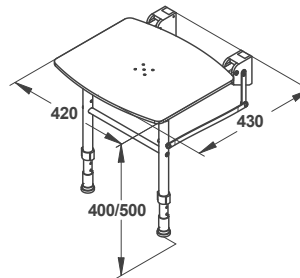
Can be attached to Ø 32 mm and Ø 34 mm bars



## FOLDAWAY SHOWER SEAT

ANTI-BACTERIAL POLYPROPYLENE AND HOLLOWED SEAT

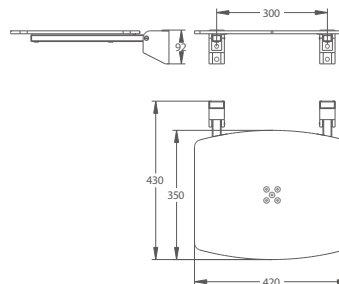
60480 With adjustable legs



60815 Without legs

**i** PRESTO TIP

Compact, ideal for small spaces. Fit in just 15 minutes.



## SHOWER SEAT

# BACKREST

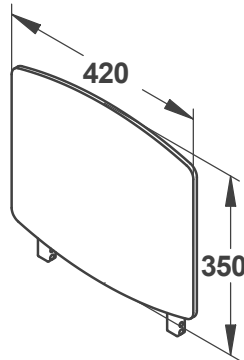


### BACKREST

ANTI-BACTERIAL POLYPROPYLENE

60479 For seats ref. 60815 and 60480

**i** 100% recyclable polypropylene



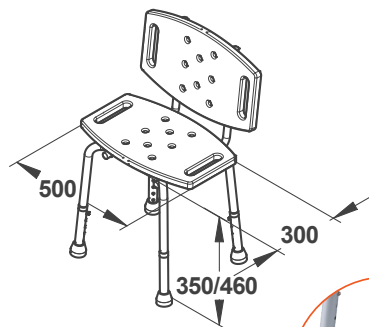
## SHOWER SEAT

# SHOWER SEAT AND BENCH



### SEAT

60648 ABS non-slip seat and backrest  
Adjustable height - 5 positions  
Aluminium legs  
Non-slip pads

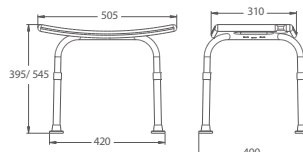


Adjustable height

Hygien

### BENCH

60647 ABS non-slip seat  
Adjustable height - 7 positions  
Steel structure with white epoxy finish  
Non-slip pads





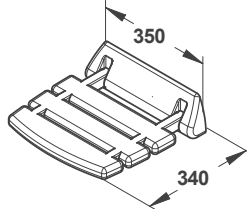
THE PRESTO GROUP ALSO OFFERS A **RANGE OF BUDGET-FRIENDLY EQUIPMENT**, AT ATTRACTIVE PRICES FOR YOUR CONSTRUCTION PROJECTS..

ECONOMY RANGE

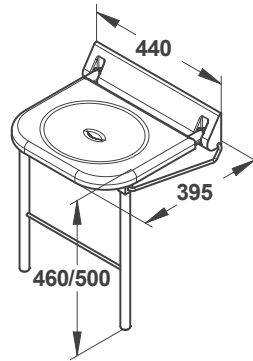
## FOLDAWAY SHOWER SEAT



60582 Standard – Width 350 mm - ABS



60584 With legs – Width seat - ABS

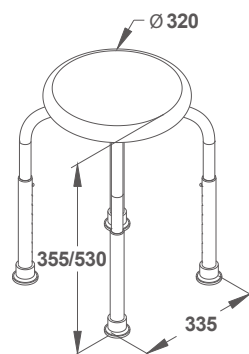


ECONOMY RANGE

## SHOWER AND BATH STOOL



60646 Adjustable height - 8 positions  
ABS non-slip seat  
Aluminium legs  
Non-slip pads  
Solid



## STRAIGHT BAR – Ø 25 mm

## CHROME-PLATED 201 STAINLESS STEEL FINISH

60575 300 mm (screws not included) **a**

60576 400 mm (screws not included)

60577 500 mm (screws not included)

60578 600 mm (screws not included)

| Secret fixings | Chrome-plated 201 stainless steel / White epoxy steel | Ø 25 mm |

**a**

## WHITE EPOXY STEEL FINISH

60340 300 mm (screws not included) **b**

60341 400 mm (screws not included)

60342 500 mm (screws not included)

60343 600 mm (screws not included)

**b**

## ANGLED BAR 135° – Ø 25 mm

## CHROME-PLATED 201 STAINLESS STEEL FINISH

60579 220 × 220 mm (screws not included) **c**

60580 400 × 400 mm (screws not included)

| Secret fixings | Chrome-plated 201 stainless steel / White epoxy steel | Ø 25 mm |

**c**

## WHITE EPOXY STEEL FINISH

60344 220 × 220 mm (screws not included) **d**

60345 400 × 400 mm (screws not included)

**d**



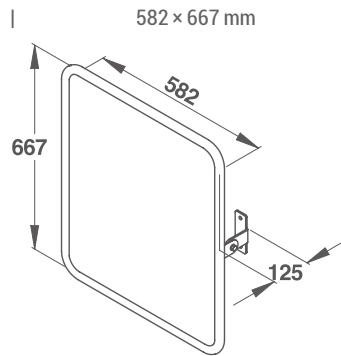
## TILTING MIRROR

NYLON-COATED ALUMINIUM

60427 Tilting mirror

**i PRESTO TIP**

The slope allows the mirror to be fixed at the desired height. Flexible installation compliant with the French 2005 Disabled Act (check with the Accessibility Acts of your country).



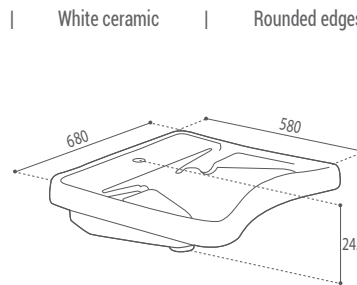
Wall mounted



## WASHBASIN PRM

60001 With drain and offset siphon

**i Concave front to make it easier for wheelchair users to draw up.**



White ceramic

Rounded edges

Raised protection from splashing

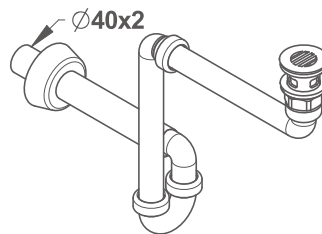


## DRAIN

WITH OFFSET SIPHON

60009 For fixed washbasin

| White PVC washbasin siphon | F G 1"1/4 inlet swivel nut | D 40 x 2 outlet | G 1"1/4 flat seal |



# TOILET BOWL, SEAT AND MOUNTING FRAME

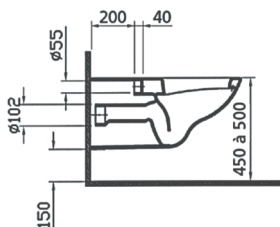


## SUSPENDED ERGONOMIC TOILET BOWL

| White ceramic | Length 700 mm | **NF\*** | Hygienic |

60107 Cuvette longue 700 mm – **NF\***

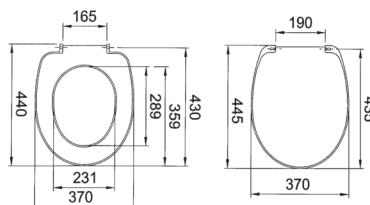
\* Certified product



## TOILET LID FOR ERGONOMIC TOILET BOWL

| White | 440 mm × 370 mm |

60118 Lid for long toilet bowl



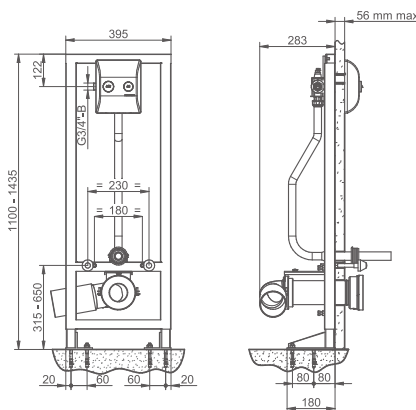
## MOUNTING FRAME

| 3-6 litres | System S® | G 3/4" |

### DIRECT FLUSH FOR SERVICE DUCT INSTALLATION

18508 Dual volume control

\*Anti-blocking system

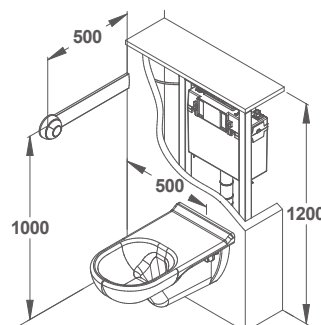


### WITH CISTERN AND OFFSET PNEUMATIC CONTROL

| 3-6 litres | G 1/2" |

18605 White, single volume offset control for exposed mounting

**i** For other models: see the PRESTO commercial and public places catalogue.



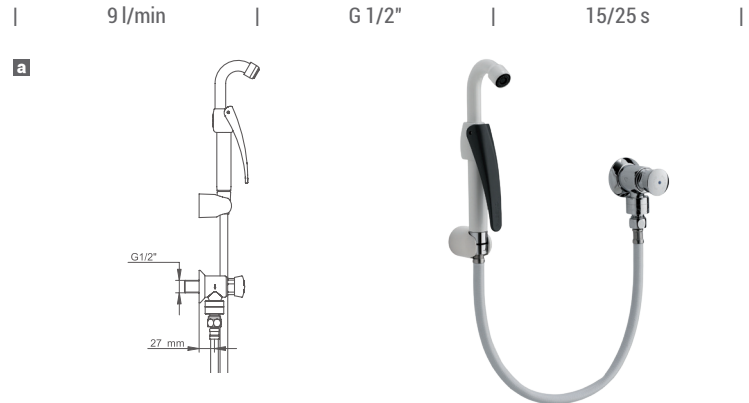
# SINK SPRAYER

WARRANTY  
10 YEARS  
WARRANTY



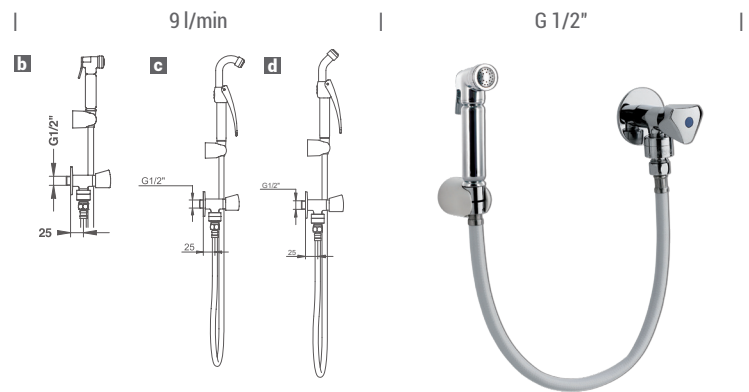
## WITH PRESTO 12 A TIMED-FLOW TAP

- 39212 120° lever sink spray  
White epoxy finish **a**
- 39211 45° lever sink spray



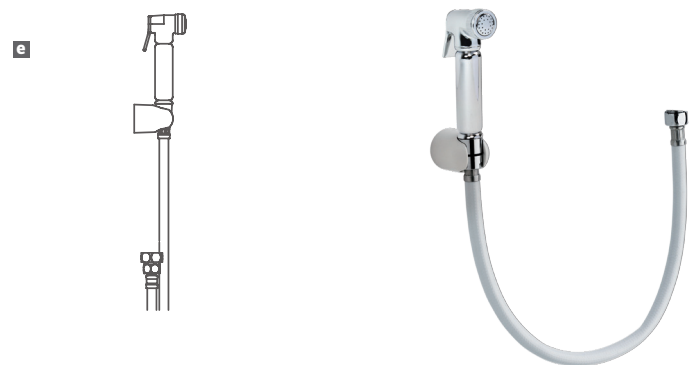
## WITH CHECK VALVE TAP

- 39213 With push-button sink spray  
White epoxy finish **b**
- 39210 120° lever sink spray **c**
- 39209 45° lever sink spray **d**



## SINK SPRAY WITH HOSE

- 39207 Push-button sink spray  
Chrome-plated finish **e**
- 39205 120° lever sink spray
- 39204 45° lever sink spray



## COMPLEMENTARY PRODUCTS

- 90636 Holder for push-button sink sprayer
- 90639 Holder for sink spray with lever
- 90640 45° sink spray
- 90641 120° sink spray
- 90642 Push-button sink spray
- 90613 PRESTO 12 A and disconnecter
- 29008 Minitherm thermostatic safety regulator

## COMFORT SINK SPRAYER KIT

Add a mini thermostatic regulator to your sink sprayer tap for a better comfort!



29008



90613



39207



## INDEX

REF.	PAGE
18508	143
18605	143
23614	67
23644	67
29008	144
29410	106
31646	67
31683	67
39204	144
39205	144
39207	144
39209	144
39210	144
39211	144
39212	144
39213	144
60001	142
60009	142
60107	143
60118	143
60311	128
60313	128
60315	128
60317	128

REF.	PAGE
60318	128
60324	129
60325	130
60326	130
60328	133
60329	132
60330	132
60331	136
60332	136
60333	135
60334	137
60335	137
60336	132
60337	132
60338	132
60340	141
60341	141
60342	141
60343	141
60344	141
60345	141
60420	138
60427	142
60451	128

REF.	PAGE
60452	128
60453	128
60454	128
60461	132
60468	128
60469	131
60470	131
60471	132
60472	134
60479	139
60480	138
60529	129
60568	82, 86, 91, 105
60575	141
60576	141
60577	141
60578	141
60579	141
60580	141
60581	129
60582	140
60584	140
60646	140
60647	139

REF.	PAGE
60648	139
60664	134
60715	130
60724	136
60736	137
60743	133
60754	135
60761	132
60773	131
60776	131
60799	131
60809	130
60812	130
60815	138
721011	68
721021	68
721031	68
721201	68
721211	68
721231	68
726011	69
726021	69
726041	69
726051	70

## INDEX

REF.	PAGE
727011	70
727061	70
74000	37
74001	37
74002	37
74003	37
74005	60
74006	60
74008	61
74009	61
74010	61
74011	61
74012	61
74013	61
74014	61
74015	61
74016	61
74017	61
74018	61
74019	61
74020	61
74021	61
74022	61
74023	61

REF.	PAGE
74024	61
74025	61
74026	61
74027	61
74031	54
74030	54
74040	54
74047	55
74050	82, 74
74051	55, 111
74052	82
74074	52
74075	52
74076	52
74077	52
74080	55
74100	83
74101	83
74102	83
74082	39
74083	39
74084	39
74085	39
75023	34

REF.	PAGE
75025	34
75027	43
75030	47
75032	81
75033	81
75040	41
75041	43
75049	35
75051	35
75060	41
75061	41
75062	41
75063	41
75064	43
75065	43
75066	43
75067	43
75068	44
75070	45
75072	78
75073	79
75075	80
75077	80
75078	80

REF.	PAGE
75079	48
75080	48
75081	48
75082	48
75091	78
75092	67
75093	67
75095	67
75096	47
75107	91
75108	91
75110	91
75112	82
75113	83
75114	83
75115	83
75116	82
75117	56
75124	42
75125	42
75126	42
75127	42
75128	42
75131	42

## INDEX

REF.	PAGE
75132	42
75135	42
75136	42
75138	42
75141	42
75143	42
75145	42
75146	42
75147	59
75151	59
75153	59
75156	59
75159	59
75161	59
75163	59
75164	59
75167	59
75169	59
75171	59
75175	59
75177	59
75178	64
75179	64
75180	42

REF.	PAGE
75182	59
75185	115
75186	65
75189	65
75191	65
75193	65
75196	65
75199	65
75201	62
75202	62
75203	62
75205	62
75206	62
75207	62
75208	65
75209	62
75210	62
75211	62
75212	62
75213	66
75216	66
75218	63
75219	63
75220	66

REF.	PAGE
75221	66
75222	66
75223	63
75224	63
75226	63
75230	66
75235	119
75238	118
75239	119
75241	119
75242	119
75246	106
75268	101
75269	101
75279	105
75280	105
75282	105
75283	105
75287	102
75303	105
75305	105
75308	82
75309	82
75310	56

REF.	PAGE
75317	56
75325	105
75328	109
75342	101
75349	40
75350	40
75354	40
75378	40
75380	40
75391	43
75415	105
75421	34
75434	42
75524	105
75538	105
75549	79
75600	78
75608	35
75609	35
75610	35
75611	35
75612	34
75613	34
75614	34

## INDEX

REF.	PAGE
75615	34
75616	38
75617	38
75620	44
75621	45
75622	45
75623	46
75624	46
75626	47
75627	47
75630	49
75631	49
75632	49
75634	35
75635	38
75637	43
75638	90
75639	90
75640	90
75697	44
75698	44
75704	57
75706	84
75715	41

REF.	PAGE
75718	42
75719	42
75721	43
75722	47
75723	47
75833	112, 113
75840	36
75841	36
75842	36
75843	36
75844	36
75845	36
75863	101
75864	101
75865	101
75866	101
75870	58
75871	58
75872	58
75873	58
75874	58
75875	58
75879	58
75880	58

REF.	PAGE
75881	58
75882	58
75883	58
75884	58
75915	37
75916	37
75922	54
75931	102
75933	103
75934	103
75936	104
75937	104
75938	104
75941	105
75942	105
75948	57, 84, 74, 108
75949	84
75950	86, 74, 109
75951	86, 74, 109
75952	54, 110
75953	86
75954	85
75955	85
75956	85

REF.	PAGE
75957	87
75958	87
75959	87
75960	88
75961	88
75962	88
75963	57, 84
75964	84
75965	86
77015	71
77016	71
77017	71
77031	71
77032	71
77033	71
88846	94
88848	94
88856	93
88858	93
88860	93
88866	93
90096	110
90099	112, 113
90145	110, 111

## INDEX

REF.	PAGE
90319	112, 113
90480	113
90547	110
90613	144
90636	144
90639	144
90640	144
90641	144
90642	144
90887	107, 115
90941	110, 113
90976	109, 110, 111, 114, 115
91026	93, 95
91030	95
91037	93, 95
91038	93, 95
91039	95
91042	93, 95
91045	113
91048	113
91049	95
91087	93
91111	94
91112	94

REF.	PAGE
91113	94
91114	94
91115	94
91116	94
91184	107, 114
91197	113
91220	93
91252	114
91253	107
91254	114
91255	115
93001	112
93002	114, 115
93003	113
93004	108
93005	108
93006	108, 109, 110, 111, 115
93007	108, 114
93008	108
93009	108, 114, 115
93011	107, 112, 113
93012	40, 108
93013	40, 108
93014	108

REF.	PAGE
93015	107
93016	107
93018	107
93019	106
93020	106
93021	107
93023	40, 107, 112
93024	40, 107
93026	107
93027	107
93032	113
93033	42, 110, 111
93034	110, 111
93035	110, 111
93039	110, 112
93042	40, 113
93043	40, 113
93049	40
93053	110, 111
93056	110
93059	110
93097	110
93350	40
93060	107

REF.	PAGE
93062	112
93063	107
93069	114, 115
93070	108
93074	114
93076	107
93077	112
93094	113
93098	114, 115
93109	110, 111
93112	107
93117	107, 109
93120	106
93122	106
93124	106
93126	101
93127	101
93128	101
93129	101
93130	101
93131	101
93132	101
93133	101
93134	101

## INDEX

REF.	PAGE
93135	101
93136	101
93137	101
93140	109
93141	109
93142	109
93144	109, 112, 113
93145	110, 111
93146	103
93147	102
93164	108
93182	110
93195	40
93275	40, 108, 112
93288	109
93289	109
93290	109
93291	109
93292	109
93293	55, 115
93294	112, 113, 114, 115
93295	112, 113, 114, 115
93296	107, 112, 113
93297	112, 113

REF.	PAGE
93298	112
93299	112
93301	112
93302	112
93303	112
93304	112
93305	112
93306	113
93308	113
93309	113
93310	113
93311	113
93313	113
93314	113
93315	113
93316	113
93317	114
93318	114, 115
93319	114, 115
93321	114
93322	114
93323	115
93324	55, 115
93327	40, 112

REF.	PAGE
93328	114
93344	40, 107, 113
93346	40, 112, 113
93347	40, 112, 113
93348	40, 112, 113
93349	110, 111
93350	110, 112
93351	108, 113
93352	108, 113





Edition april 2025 - Code Z510.7

Drawings and photos not contractually binding.

Crédits photos: © vernonwiley/iStock, © Janis Smits/AdobeStock, © Pinkybird/iStock, © scanrail/iStock, © monkeybusinessimages/iStock, © Bet\_Noire/iStock, © Dean Mitchell/iStock, © SARINYAPINNGAM/iStock, © AlexandrBognat/iStock, © Yuri Arcurs/Fotolia, © emiliau/Fotolia, © spotmatikphoto/Fotolia, © Tyler Olson/Fotolia, © WavebreakMediaMicro/Fotolia, © Christian Colmer/iStock, © Ben185/iStock, © zoka74/iStock, © arquiplay77/iStock, © chinaface/iStock, © Yannis Ntousiopoulos/Adobe Stock, © Andreas Hilger/Fotolia, © BNP Design Studio/Fotolia, © SolisImages/Fotolia, © Pavel Losevsky/Fotolia, © Tof Locoste/Fotolia, © Dmytro Aksonov/iStock, © Boyarkina Marina/Fotolia, © Robert Kneschke /Fotolia, © Roman Sigaev/Fotolia, © aldegonde le compte/Fotolia

# GENERAL TERMS AND CONDITIONS OF SALE

## I. GENERAL

In accordance with Article L441-6 of the French Commercial Code, PRESTO'S general terms and conditions constitute the basis for commercial negotiations.

The general terms and conditions contained herein apply to all contractual relations between PRESTO and the customer, referred to hereinafter as the "Customer".

In the event that any of these general terms and conditions of sale becomes null and void, the validity of the terms and conditions as a whole shall remain unaffected.

1. No clauses printed in the margins or bodies of letters or purchase orders from the purchaser that contradict these general terms and conditions of sale may be used against us, unless they have formed the subject of a written declaration of acceptance from us.

2. Photographs, designs and diagrams appearing on price lists, brochures and leaflets are indicative only and are not contractually binding. Our models may be modified or discontinued at any time and without prior notice, without any liability or compensation costs being incurred.

The installation and assembly of certain items require specific conditions to be met, such as a live electricity supply and cold, hot or mixed water supplies, as well as any water drainage outlets required.

## II. OFFERS AND QUOTES

1. Our quotes contain an expiry date that must be heeded. The quantities and prices indicated must also remain unchanged when the order is placed.

2. A quote can only be issued if we have been provided with the name of the relevant construction site and installer. The Customer must co-operate with PRESTO and provide it with full, specific and reliable information, in writing, concerning:

- Its requirements, clearly expressed,
- The equipment's operating conditions and environment,
- The composition and specificities of the products to be processed with the equipment.

Contract compliance will be assessed on the basis of the Customer's fulfilment of these obligations. PRESTO may not be held liable for the consequences of any omission or error in the information provided by the Customer. These obligations also relate to any survey, implementation or equipment adjustment phases.

These obligations also apply to the Customer's agent or representative.

PRESTO will listen to the Customer's requests and will respect them insofar as is feasible and to the extent that compliance with the contract and professional practices allows.

## III. ORDERS AND PRICES

1. All orders placed on the basis of a quote must indicate the quote number and replicate the quantities and prices stated therein.

2. All orders for equipment products will be considered firm from the date on which they are transmitted to us. All requests for modification/cancellation must be made in writing. No cancellations will be accepted once the order is in preparation, and the Company reserves the right to deliver and invoice for all merchandise and materials for which implementation has already commenced on the Date of Cancellation.

3. All orders are invoiced at the price applicable on the date of receipt of the order. Price lists are produced excluding tax. However, we reserve the right to revise our catalogue prices during the year, without notice. Belgium and Switzerland: shipping costs will be applied based on the applicable rates in these countries.

## IV. PAYMENT TERMS

### 1. Modes and Due Dates

Invoices are payable to the Registered Office as per the applicable terms and conditions of sale and without deductions, regardless of the date of the calendar month on which the dispatch or collection took place. Other modes of payment may only be agreed on an exceptional basis for a specific case or for a fixed period.

### 2. Payment

Any payment delay will result, from day one of the delay:

- in the application of late payment interest at a rate equal to the European Central Bank's most recent refinancing rate plus ten points
- in the application of fixed-sum compensation for recovery costs of 40 euros (French Law 2012-387 of 22 March 2012, and Decree 2012-1115 of 2 October 2012);
- where the recovery fees incurred are higher than the amount of this fixed-sum compensation, further compensation may be demanded, on provision of evidence. In the event of late payment, payment in cash may be claimed instead of payment under the applicable terms. We will not accept any automatic debits, and only our credit notes have legal value.

### 3. Compensation retentions

Complaints concerning the quality of goods supplies shall not constitute grounds to suspend payment thereof, unless the defect has been admitted by us prior to the payment due date. Suspension of payment, where applicable, may only apply to the invoicing value of the disputed parts.

The purchaser is not authorized to withhold payments due, regardless of the legal grounds cited, nor to offset any amounts invoiced by us, regardless of the type of complaint.

## V. RESERVATION OF OWNERSHIP

PRESTO retains full ownership over the goods forming the object of the contract until actual payment of the full price in principal and incidentals. Failure to make any due payment could result in these goods being reclaimed. However, upon delivery, the Customer assumes liability for any damage suffered or caused by these goods.

## VI. LEAD TIMES

Delivery and availability lead times are provided on an indicative basis.

For our Export customers, the availability date corresponds to the delivery date.

No compensation or damages may be claimed in the event of a delayed or staggered delivery.

In any case, delivery deadlines can only be met if the purchaser fulfils all its contractual obligations, particularly the payment terms, and provided that no event of force majeure takes place.

Force majeure

Neither party to this contract may be held responsible for non-performance or late fulfilment of any of its contractual obligations if this delay or default is the direct or indirect effect of a situation of force majeure, interpreted in a broader sense than that allowed by French case law, such as: the occurrence of a natural disaster, earthquake, hurricane, fire, flood, etc.; conflict, war, attacks, industrial action, total or partial strike affecting the Supplier, the Customer, or any suppliers, subcontractors, service providers, shipping companies, postal services, public services, etc.; an imperative injunction from the public authorities (ban on imports, embargo); or operating accidents, broken machinery or explosions. Each party shall inform the other party, immediately, of the occurrence of a situation of force majeure of which it is aware and that, in its opinion, is likely to affect the execution of the contract. The parties must agree, as quickly as possible, to review the consequences of the event of force majeure in good faith and to try to reach an agreement on the steps to be taken.

## VII. DELIVERIES

1. Supplies are always sold as taken and approved by the purchaser in our shops and payable as such, with the date of dispatch or collection constituting the invoice date.

2. The customer must, upon receipt, check the items delivered, in the presence of the shipping company's representative, even if the packaging seems intact, and, in the event of any damaged, missing or substitute items, must make specific comments to that effect on the shipping document. The recipient is also responsible for informing the shipping company and making the necessary claims against them (by recorded-delivery letter) within 48 hours. A copy of this letter must be sent to us. Packaging is non-returnable, even if it has been invoiced for.

3. No complaint concerning the items delivered, the quantity delivered, the weight or non-compliance with the delivery note will be accepted if received more than 7 days after the receipt of the merchandise by the receiving customer.

4. Export: the products acquired by the purchaser are delivered according to the conditions defined on the quotation/pro-forma invoice and according to the INCOTERMS® ICC 2020 rules.

## VIII. PRODUCT RETURNS

1. All product returns must form the subject of a written request, with evidence, using the relevant Presto form. Our agreement is subject to a review of the request and a return authorisation will be sent if agreed.

2. In the event of authorisation, the products returned must be in perfect condition and in their original packaging.

3. Returns of merchandise may be negotiated and agreed with a fixed deduction. The deduction is intended to cover verification, restocking and accounting costs.

4. Returns authorised in this way must be arranged by the customer, at its cost and liability.

5. Once assessed by our technical assistance department, any returned merchandise that is found to have been damaged will be not be accepted and will be made available to the customer to be collected within 8 days. After this time, the items will be destroyed or recycled.

Credit notes will only be issued after receipt and verification of the quantity and quality of the returned items and packaging. Any items returned without prior authorisation will be destroyed or recycled and will not be returned or credited to the customer.

## IX. WARRANTY

1. In addition to the statutory warranty, our taps are guaranteed against all material and manufacturing defects for a duration of 10 years from the date of the Distributor's invoice to its end customer. This warranty is limited to 3 years for the following products:

- PRESTOTHERM mixer taps and accessories
- Professional/safety line (Mixer tap, shower and eye wash, etc.)
- Mounting frame
- Floor traps
- Accessibility Line for disabled people (PRESTO Pack®, support rails, ceramics, ergonomic lever tapware and accessories)
- Accessories, collection ILLICO
- Electronic components
- Thermostatic cartridges
- Bowls and slabs (laboratory)

This warranty has been brought to 5 years for the following products: Laboratory taps and laboratory drainage (manufacturing defects)

The warranty for stock clearance operations is 1 year.

2. Claims may only be made under the warranty provided that our instructions and guidelines for the use, assembly, installation, commissioning, servicing and maintenance of the products have been followed. Products must be mounted in such a way that they can be removed without damaging anything else.

3. The warranty exclusively covers the free-of-charge repair or exchange of items acknowledged to be defective or, if this is not possible, the provision of an item for the same purpose, to the express exclusion of any additional costs such as labour, removal and re-installation costs, packaging costs, transportation or shipping costs, or damages, including for loss of use.

Where relevant, defective or other products must be returned to us carriage paid. Shipments sent to us freight collect will be refused. The purchaser undertakes to return, at its own cost and within 2 months, any items acknowledged as defective and replaced with new items. The repair, modification or replacement of items during the warranty period shall not result in the extension thereof.

Warranty claims may not be used to justify any delay in payment.

4. Where our products are incorporated into sets that are not manufactured by us, the warranty defined above only applies to our items that are acknowledged as defective, and we may not in any case be held liable for any design, manufacturing or assembly defect in the installation as a whole or for any defective items not manufactured by us.

5. The warranty does not cover defects and damage resulting from natural wear and tear, nor damage caused by the misuse, modification, or incorrect installation or assembly of a product, incorrect maintenance, abnormal usage, accidents involving injury or damage, or inadequate storage.

Likewise, this warranty does not cover lack of or inadequate maintenance, or the use of corrosive, abrasive or chlorinated (hydrochloric acid-based) cleaning products unsuitable for use on the surface of our products, or corrosion or chemical damage to the various components of the tap caused by disinfectants or solvents, or damage due to the water quality or the presence of elements or foreign particles in the water (gravel, sand, filings, limescale particles, etc.), or chemical or electrolytic processes not anticipated when the products and equipment were commissioned.

In addition, the warranty excludes damages caused to individuals or property, other than the merchandise in question, and loss of earnings resulting from discontinuation of use.

6. After leaving our factories, any products the surface coating of which is modified by the customer, whether resulting or not in the disassembly of the product, or any equipment to which even minor transformations or modifications are made shall be excluded from the warranty clauses.

7. For some of our items, the warranty will only apply in full provided that the recommended products, such as liquid soap, are scrupulously and properly used.

8. Sanitary fittings without heating or freeze protection systems in service ducts must be drained in order to avoid any risk of damage (see our technical instructions).

## X. DISPUTES

The parties undertake to try to settle any disputes independently, before referring them to the competent Court. If no independent settlement is reached within 12 months, it is expressly agreed that all disputes relating to the contract will be exclusively resolved by the court within whose jurisdiction the Supplier's registered address is located, even in the case of appeal and multiple defendants.

Payments by bank draft or any other acceptance of payment shall not trigger the novation or exemption of this clause conferring jurisdiction. Only French law and, where relevant, the Vienna Convention on the international sale of goods are applicable.



REGISTERED OFFICE: LES ROBINETS PRESTO S.A.  
7, RUE RACINE – 92542 MONTROUGE CEDEX – FRANCE  
TEL.: +33 (0)1 46 12 34 56 | FAX: +33 (0)1 40 92 00 12  
S.A. with capital of 4,560,000 € - RCC Nanterre 542091434  
SIRET No 542 091 434 00010 - NAF code: 2814Z  
VAT number: FR56 542 091 434  
No IDU: FR025699\_05PCMD  
[www.presto.fr](http://www.presto.fr)

## CONTACT

Request for documentation  
Sales Administration  
Order tracking  
Price offer  
Tel. : +33 (0)1 46 12 34 56  
Fax : +33 (0)1 47 35 69 82  
Email : [adv.export@presto.fr](mailto:adv.export@presto.fr)

## TECHNICAL SUPPORT

Tel. : +33 (0)1 46 12 34 56  
Email : [assistancetechnique@presto-group.com](mailto:assistancetechnique@presto-group.com)

## DOWNLOAD CENTER

Technical data, layouts, tenders, photos  
[www.prestodatashare.com](http://www.prestodatashare.com)

## VIRTUAL SHOWROOM

[www.presto.fr/en/company/showroom](http://www.presto.fr/en/company/showroom)

PRESTO equips  
public areas, some of which are  
sensitive, with the most ecological  
and economical French tapware.

**PRESTO®**  
loves water

## PRESTO



### LES ROBINETS PRESTO S.A.

7, RUE RACINE  
92542 MONTROUGE CEDEX – FRANCE  
Tel. : +33 (0)1 46 12 34 56  
Fax : +33 (0)1 47 35 69 82  
Email : [adv.export@presto.fr](mailto:adv.export@presto.fr)  
[www.presto.fr/en](http://www.presto.fr/en) | [www.presto-group.com](http://www.presto-group.com) |  
[www.prestodatashare.com](http://www.prestodatashare.com) | [www.prestobim.com](http://www.prestobim.com)

### PRESTO MIDDLE EAST / DMCC

GABC 10TH FLOOR, SWISS TOWER, CLUSTER Y  
JLT PO BOX 643718 DUBAI  
UNITED ARAB EMIRATES  
Tel. : +971 (0) 52 79 32 409  
Email : [d.heyberger@presto.fr](mailto:d.heyberger@presto.fr)  
[www.presto-group.com](http://www.presto-group.com) | [www.presto-me.com](http://www.presto-me.com)  
[www.prestodatashare.com](http://www.prestodatashare.com) | [www.prestobim.com](http://www.prestobim.com)

