

Product Catalog



WHY VERSATEX?



Innovative, practical solutions for a sustainable future.

VERSATEX Building Products is the only company in its industry that has solely focused on the cellular PVC building products market for over 15 years. A high value is placed on listening to customers and smartly responding to their needs. With expertise in the design, development, production and sale of PVC building products, VERSATEX's strength lies in innovation and the ability to bring new product solutions to market to help our builders, contractors, architects and homeowners. Dedication, education and innovation equate to VERSATEX being a proven industry leader with an unmatched service platform and best-in-class product quality.

VERSATEX Building Products are manufactured from cellular PVC, which is impervious to insects and moisture. Our product formula ensures VERSATEX maintains its bright white color and is dense enough to use the same cutting tools & fasteners one would with a traditional product. These factors and more create an ideal solution for moisture-sensitive areas, including those along coastal zones or regions affected by salt and high humidity.

Warping, fading, cupping, or splitting is now a thing of the past – just a building product with high aesthetic value backed by an **industry-best, lifetime, fully transferable, non-prorated warranty**.



AIA
Continuing
Education
Provider



VERSATEX has passed all performance testing and obtained an NGBS Green Certification, making the products, and the company as a whole, safe and efficient for the environment.

TABLE OF CONTENTS

Why VERSATEX?	2
Trimboard	4
Sheet	6
T&G Profiles	8
Canvas Series	10
Corners	14
Stealth Trim System	16
VERSAWRAP	18
Soffit	22
Mouldings	24
Finishing Systems	26
Premier Builder App	28

TRIMBOARD

The Board that Started it All.

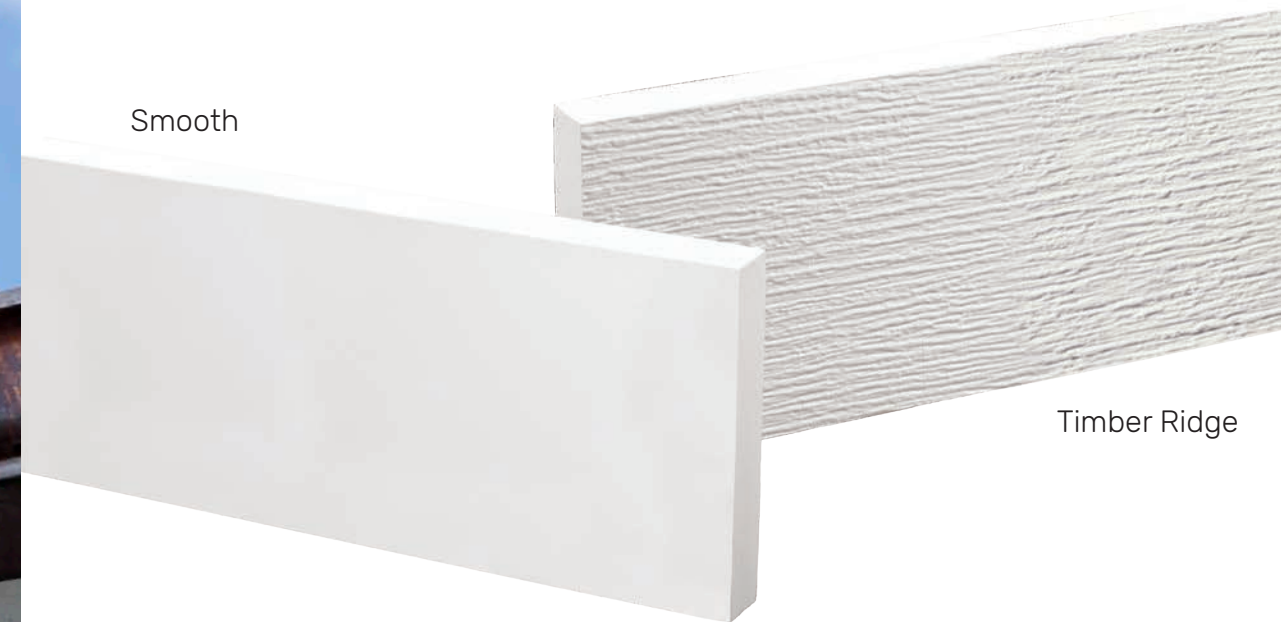
VERSATEX has always been dedicated to cellular PVC trim, constantly innovating to give our customers the highest in quality and technical assistance. Breakthroughs like thickness tolerances that are half the industry norm and thicker products done right ensure VERSATEX offers a level of product quality, service and expertise others can only dream of.

The most like wood, without the hassle.

VERSATEX Trimboards are produced in two finishes: a low-gloss, Smooth Matte finish and a Timber Ridge finish, designed with a more natural surface texture to compliment cedar and fiber cement. Boards come in either Smooth/Smooth or Smooth/Timber Ridge options.

The edges are right, always.

VERSATEX Trim is cut with a proprietary system to seal the edges, keeping them clean and dimensionally accurate with true 90° angles (+/- 1°).



	Nominal Width	2	3	4	5	6	8	10	12	16
Thickness	Actual Width	1 1/2"	2 1/2"	3 1/2"	4 1/2"	5 1/2"	7 1/4"	9 1/4"	11 1/4"	15 1/4"
5/8 (5/8" actual)				•		•	•	•	•	•
1 (3/4" actual)		•	•	•	•	•	•	•	•	•
5/4 (1" actual)				•	•	•	•	•	•	•
6/4 (1 1/4" actual)				•		•	•	•	•	
8/4 (1 1/2" actual)				•		•	•	•	•	

- 5/8, 1 and 5/4 available in standard 12', 18' and 20' lengths;
- 6/4 and 8/4 available in standard 18' lengths
- 5/8, 1 and 5/4 boards come with protective film applied
- Custom lengths and widths available in "Smartpack" quantities
- 1 1/2" thick Trimboards may be subject to extended lead times
- Most thicknesses can be ordered reversible - Smooth/Timber Ridge or Smooth/Smooth

SHEET



Never be limited.

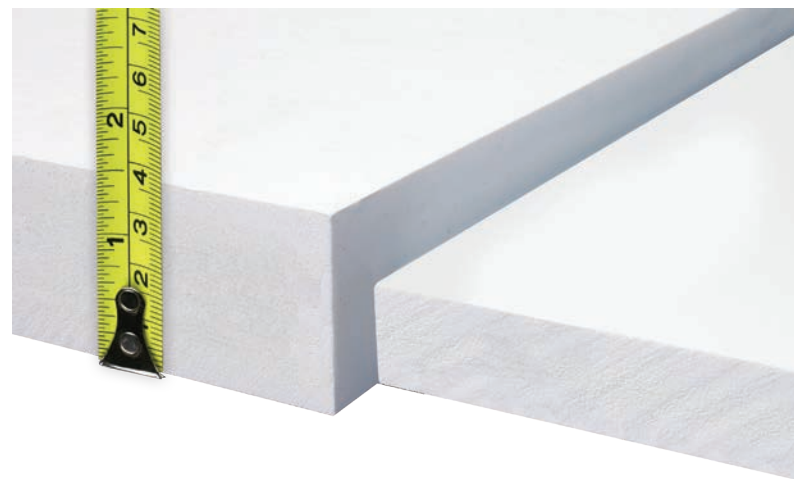
VERSATEX features the most comprehensive sheet stock available, ranging from as thin as 1/4" to a full 1 1/2". Using the most up-to-date extrusion technology to control sheet thickness tolerances to half that of the competition, VERSATEX manufactures the most consistent sheet product in the industry. Board & batten, accent walls, gables and more are now a breeze, providing builders and fabricators high yields, less scrap and a higher quality finished product.

Thickness	Width & Length	4x8'	4x10'	4x12'	4x18'	4x20'
1/4"		•	•			
3/8"		•	•	•	•	
1/2"		•	•	•	•	•
5/8"		•	•	•	•	•
3/4"		•	•	•	•	•
1"		•	•	•	•	•
1 1/4"		•	•	•	•	
1 1/2"		•	•	•	•	

- Available in Smooth/Smooth & Smooth/Timber Ridge options
- 1 1/4" & 1 1/2" sheet available in Smooth/Smooth only
- 5' wide Sheets available in certain sizes and special quantities
- Custom lengths and widths available in "Smartpack" quantities

Thicker options, done right.

Always wanting to innovate and listen to the needs of the field was the motivation behind creating the first-ever true 1 1/2" thick, extruded cellular PVC sheet and trimboard. A product that OEMs and millwork houses have been demanding for years, the thickness isn't the only benefit: the product still maintains the industry-best +/- 1/32" tolerances and core density found in all VERSATEX product thicknesses, making it easier to create thick pergola rafters, window casings, custom mouldings and much more.



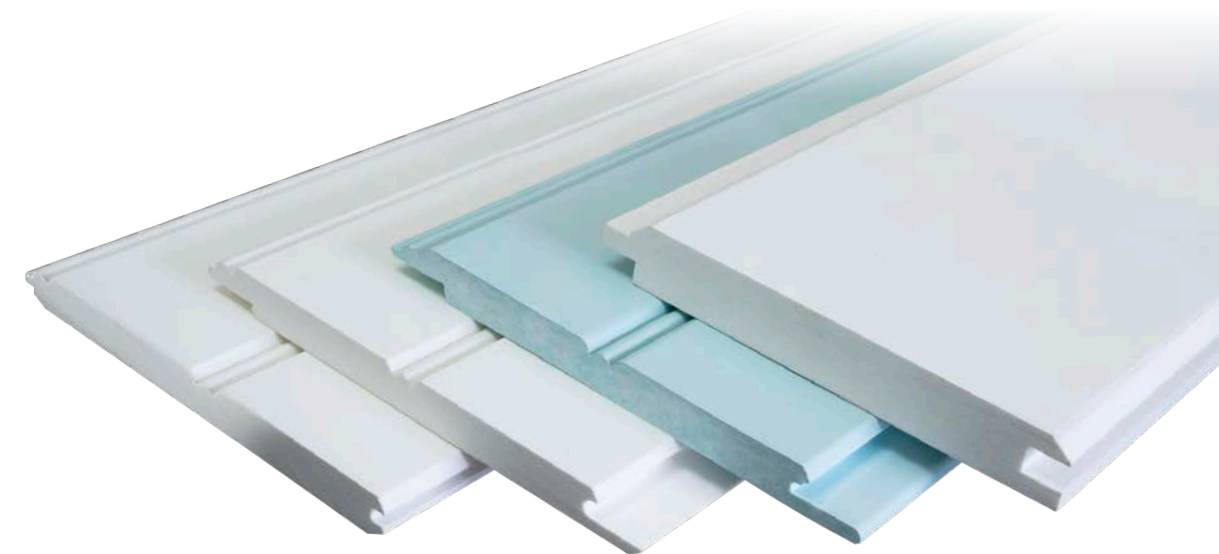
T&G PROFILES



More flexibility, more options.

Wanting to give customers all the tools they need to create their best projects, VERSATEX manufactures the widest range of Tongue-and-Groove profiles in the industry. Each profile is optimized to give the end-user the most design and installation flexibility:

- WP4 profiles are reversible, also offering a sleek and consistent Nickel Gap profile
- Beaded sheets provide a perfect wainscoting solution and drastically cut installation time
- 1/2" and 3/4" thicknesses available for a multitude of applications



Beadboard

Stealth Beadboard

WP4/Nickel Gap

Stealth: faster install and better curb appeal.

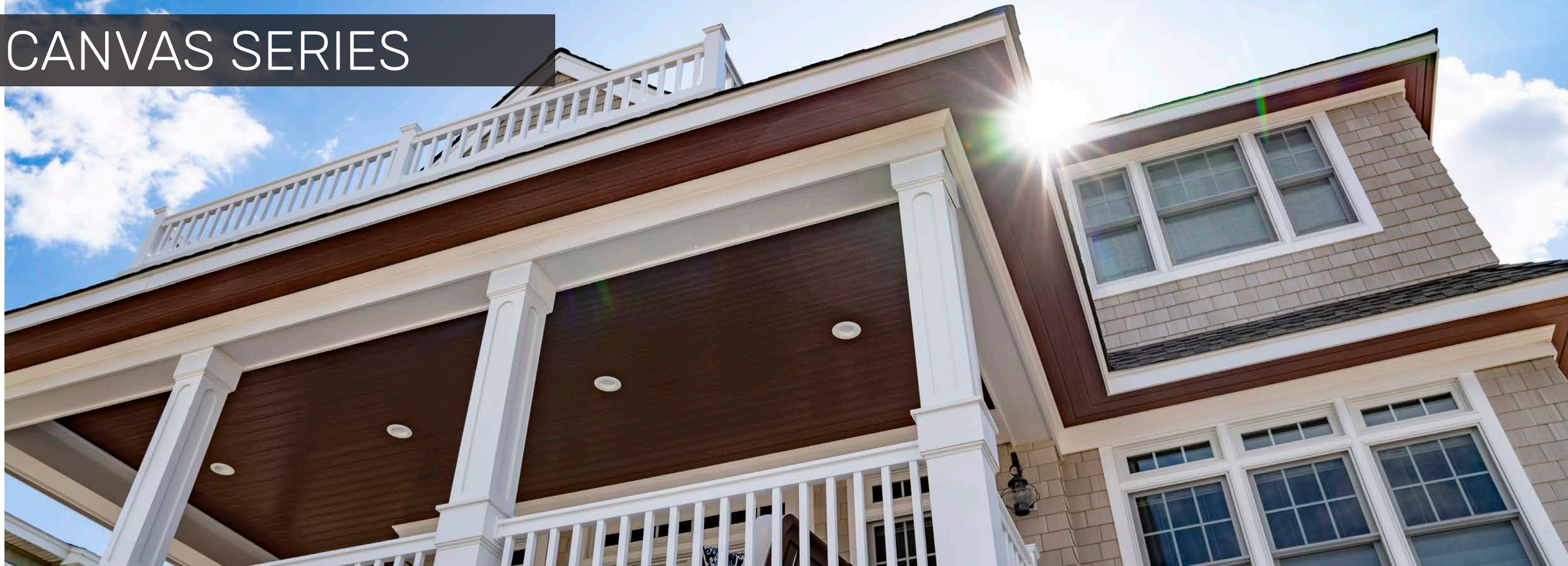
Stealth Beadboard profiles feature an extended nailing surface that provides a hidden fastening area, reducing blemishes and install time. It also means a more secure install, being the only PVC Beadboard to exceed the UL580, class 90 wind gust uplift resistance.



Nominal Thickness x Width	Actual	Length	8'	10'	18'
1/2 x 4 Beadboard	1/2" x 3 1/2"				•
1/2 x 6 Beadboard	1/2" x 5 1/2"				•
1 x 6 Beadboard	3/4" x 5 1/2"				•
1/2 x 4 Stealth Bead	1/2" x 4"				•
1/2 x 6 Stealth Bead	1/2" x 6"				•
1/2 x 6 Piazza Blue	1/2" x 6"				•
1/2 x 48 Beaded Sheet	1/2" x 48"		•	•	
1 x 6 WP4/Nickel Gap	3/4" x 5 1/2"				•
1 x 8 WP4/Nickel Gap	3/4" x 7 1/4"				•

- Special 3/4" x 3 1/2" x 18' standard Beadboard available in "UNIT" quantities
- End-matched WP4 available in 16' lengths

CANVAS SERIES



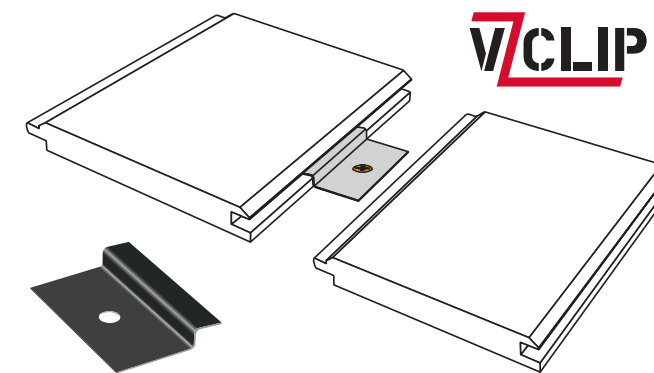
Beauty of wood, durability of PVC.

Yet another innovation from VERSATEX Building Products, The Canvas Series delivers the rich look of premium woods with the maintenance-free convenience of VERSATEX the industry has grown to love. Exterior-grade, wood-tone laminates are bonded onto VERSATEX's WP4, Stealth Beadboard, 4" Crown and Bed Mould profiles, eliminating the requirement of labor-intensive restaining and adding the long-lasting durability and moisture/insect resistance of VERSATEX cellular PVC.

Offered in a wide variety of textured, low-gloss finishes, The Canvas Series is the solution to any project's porch ceiling, soffit, feature wall, or any other exterior/interior application you can think of.

Hidden fastening for a perfect installation.

Traditionally installing WP4 or Beadboard profiles only creates face blemishes and an unsightly finished product. The VZclip is designed to work with VERSATEX's WP4 and Stealth Beadboard profiles to securely fasten and speed up installation times, all while eliminating face fastening.



CANVAS SERIES



Profile	Actual Size	16'	18'
WP4	3/4" x 5 1/2"		•
Stealth Bead	1/2" x 6"		•
4" Crown	9/16" x 3 5/8"	•	
Bed Mould	9/16" x 1 3/4"	•	

- All profiles available in all finishes
- Color-matched touch-up kit available for purchase
- Visit versatex.com/canvas for handling & installation guides



WP4



Stealth Beadboard



4" Crown



Bed Mould

Brown line represents wood laminate coverage on profiles.

CORNERS



Standard & Stealth Corners

Nominal	Actual	Smooth			Timber Ridge	
		Length	10'	20'	22'	10'
1 x 6	3/4" x 5 1/2"		•			
5/4 x 4	1" x 3 1/2"	•	•	•	•	•
5/4 x 6	1" x 5 1/2"	•	•	•	•	•
5/4 x 8	1" x 7 1/4"		•			

- Stealth Corner not available in nominal 1 x 6
- Special 12' and 22' Corners available in "UNIT" quantities
- Custom widths up to 10" available in "UNIT" quantities
- 10' and 20' Corners available in "Smartpack" quantities

Stealth Hidden Fastener Corner

Orientation	Actual	20' Smooth
Inside	1 1/8" x 1 1/2"	•
Outside	1 1/8" x 3 1/2"	•
Outside	1 1/8" x 5 1/2"	•

The first one-piece corner.

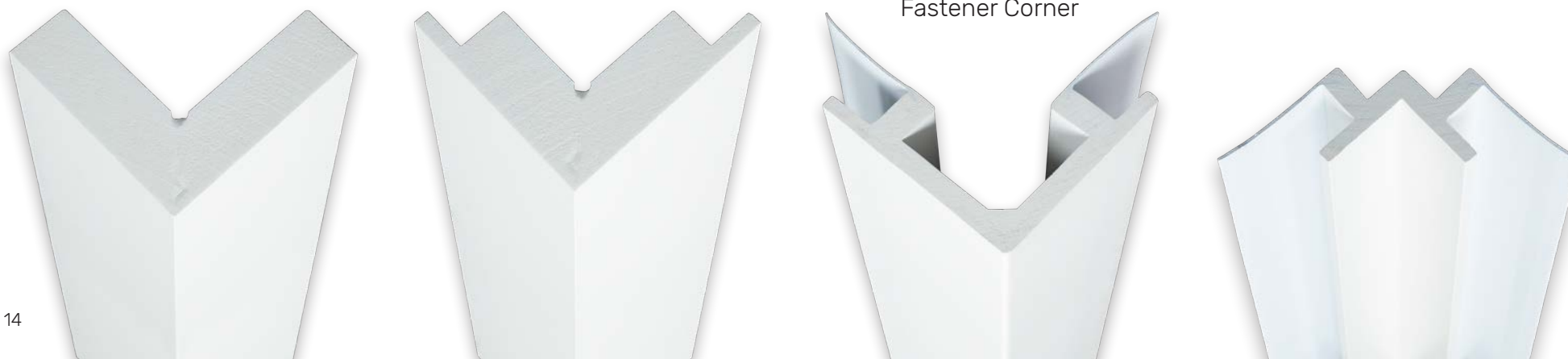
Continuing innovation to help those on the job site, VERSATEX was the first PVC trim company to create a one-piece corner. Two-piece corners collect dust and dirt along their outside edges, making it inevitable that projects will look unsightly over time. VERSATEX's one-piece corners are not only easier to install but involve less maintenance, offering an aesthetically superior solution that leaves projects looking as bright and clean as they did on installation. Actual 1" boards and Stealth options with a 3/4" pocket that accepts virtually any siding product makes VERSATEX's corner options the best in the industry.

Standard Corner

Stealth Corner

Stealth Hidden Fastener Corner

Inside Corner



Competition 2-piece corner

VERSATEX 1-piece corner



STEALTH TRIM SYSTEM



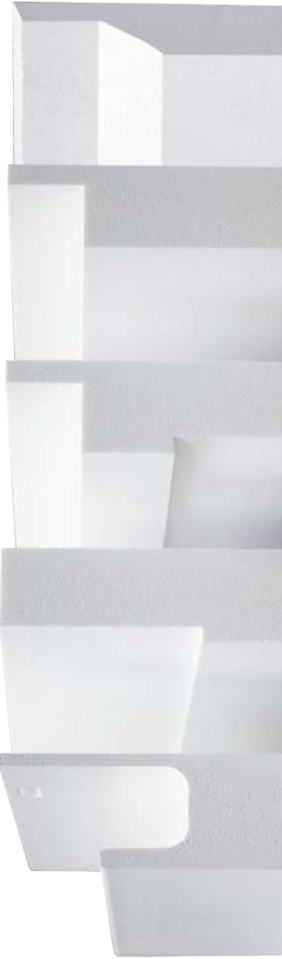
Stealth Skirtboard

Standard Stealth

Stealth w/ Flange

Trim w/ Flange

Stealth Casing w/ J-Channel



Builder-focused products for better installations.

VERSATEX had the builder in mind when designing the Stealth Trim System. Products are engineered with customizations that allow for faster and more aesthetically pleasing installations. $\frac{3}{4}$ " pockets accommodate any siding material such as fiber cement, cedar and vinyl while the Stealth Skirtboard solves the issue of installing porous material to grade.

Product	Nominal	Actual	18' Smooth	18' Timber Ridge
Stealth Skirtboard	1 x 8	$\frac{3}{4}$ " x 7 $\frac{1}{4}$ "	•	•
Stealth Skirtboard	1 x 10	$\frac{3}{4}$ " x 9 $\frac{1}{4}$ "	•	•
Standard Stealth, Stealth w/ Flange, & Trim w/ Flange	$\frac{5}{4}$ x 4	1" x 3 $\frac{1}{2}$ "	•	•
Standard Stealth, Stealth w/ Flange, Trim w/ Flange & Stealth Skirtboard	$\frac{5}{4}$ x 6	1" x 5 $\frac{1}{2}$ "	•	•
Standard Stealth & Stealth Skirtboard	$\frac{5}{4}$ x 8	1" x 7 $\frac{1}{4}$ "	•	•
Stealth Casing w/ J-Channel		1 $\frac{1}{8}$ " x 3 $\frac{1}{2}$ "	•	
Stealth Casing w/ J-Channel		1 $\frac{1}{8}$ " x 5 $\frac{1}{2}$ "	•	

• Custom lengths and widths available in "Smartpack" quantities

VERSAWRAP

The perfect solution for wrapping posts.

When thinking about the challenging parts of a home install or remodel, wrapping a structural post is almost always a difficult task. VERSATEX's field-focused team set out to help the builder save time and money in the most efficient way possible. The solution is the VERSAWRAP, a one-piece post wrap that makes dressing up a column easier than ever before. VERSATEX sheet product with pre-mitered grooves and an interlocking friction-fit joint creates effortless alignment and a higher aesthetic value than matching up four individual pieces. When it comes to a lally column, support beams, front porch posts or anything in between, wrapping posts can now be a one-man install with a nicer end product than ever before.

The VERSAWRAP line includes one-piece Classic and Raised Panel designs with multiple accessories available and a pre-cut, four-piece Tapered design that includes Craftsman-style accessories.

<i>Nominal</i>	<i>Actual Inside</i>	<i>Actual Outside</i>
4 x 4 x 8'6"	3 3/4" x 3 3/4" x 8'6"	4 3/4" x 4 3/4" x 8'6"
4 x 4 x 10'	3 3/4" x 3 3/4" x 10'	4 3/4" x 4 3/4" x 10'
6 x 6 x 8'6"	5 3/4" x 5 3/4" x 8'6"	6 3/4" x 6 3/4" x 8'6"
6 x 6 x 10'	5 3/4" x 5 3/4" x 10'	6 3/4" x 6 3/4" x 10'
8 x 8 x 8'6"	8 1/2" x 8 1/2" x 8'6"	9 1/2" x 9 1/2" x 8'6"
8 x 8 x 10'	8 1/2" x 8 1/2" x 10'	9 1/2" x 9 1/2" x 10'
12 x 12 x 12'	9 3/4" x 9 3/4" x 12'	11 1/4" x 11 1/4" x 12'

- Special 10" Classic wraps available (minimum quantities apply)
- All 4", 6" and 8" VERSAWRAPs are made from actual 1/2" thick VERSATEX; 12" wraps are made from actual 3/4" thick VERSATEX
- Raised Panel wraps available in all 6" x 6" and 8" x 8" profiles
- Raised Panels start 16 1/2" from bottom with a railing gap from 30 3/4" to 38 1/2"; Clearance above top panel measures 8 3/4"
- Painting of Raised Panel wraps is recommended for best aesthetic results and to prevent dirt accumulation where panels are milled into product

Classic Wrap



Raised Panel

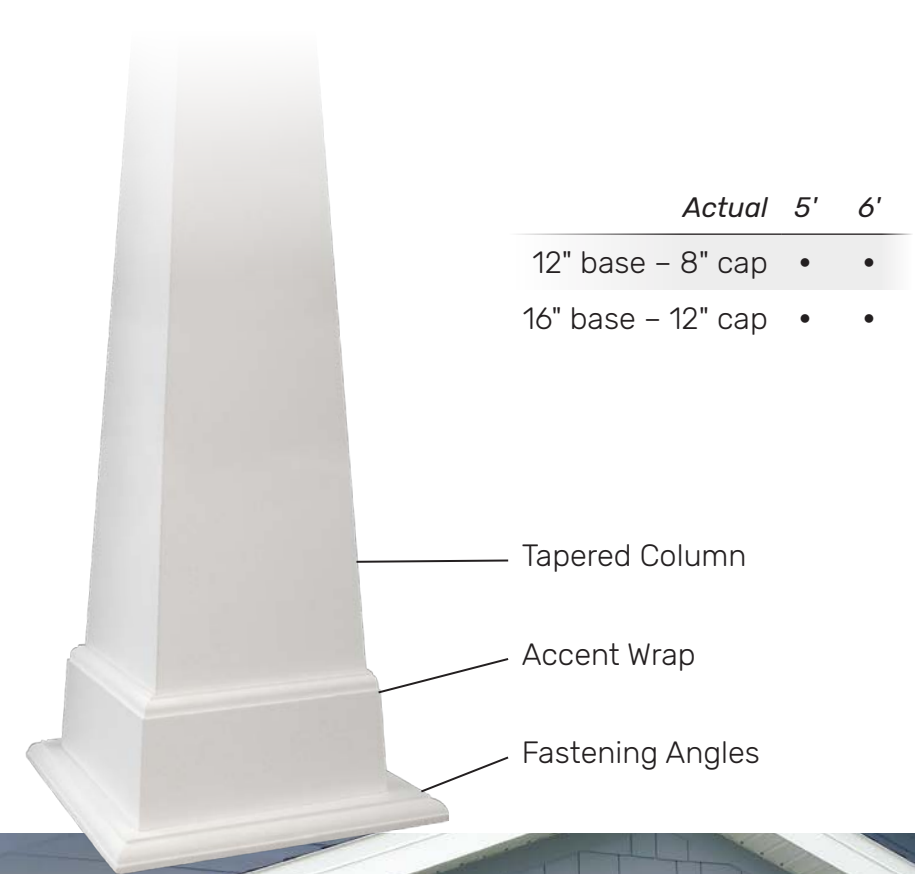


VERSAWRAP



The Tapered column with no fuss.

VERSATEX's four-piece Tapered column wrap provides the same convenience of the one-piece VERSAWRAP for craftsman-style projects. Four pre-cut panels each have a friction-fit miter lock joint to eliminate calculations and cuts required to ensure the right angle for each panel. Fastening angles and 3 1/2" decorative accent wrap pieces are included with the wrap for the cap and base of each Tapered column to fasten and accessorize however the project allows, offering a craftsman aesthetic that installs quickly and easily.



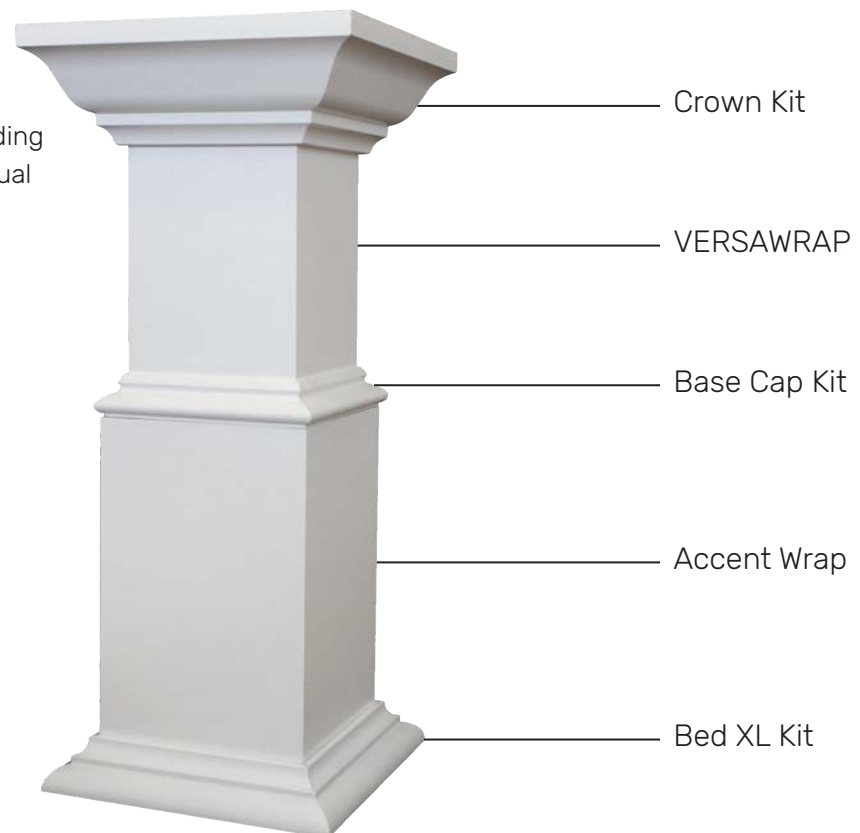
Enhance an already perfect install.

VERSATEX offers all the accessories one needs to take their project to the next level. Base Cap, Bed Moulding and 4" Crown Moulding kits are all available, while Bed Moulding and 4" Crown Moulding XL kits are available to dress up accent wraps made from actual 1/2" VERSATEX. All accessories are pre-mitered, cut to length and ready for an easy assembly and a snug fit around a 4", 6" or 8" VERSAWRAP. Post Caps are also available for 4", 6" and 8" VERSAWRAPs. All accessories sold separately.

Accent Wrap

Nominal	Actual	Inside Dimension
4 x 4 x 10	4 3/4" x 4 3/4" x 10"	
6 x 6 x 10	6 3/4" x 6 3/4" x 10"	
8 x 8 x 10	9 1/2" x 9 1/2" x 10"	
4 x 4 x 10'	4 3/4" x 4 3/4" x 10'	

- Nominal 10 x 10 x 10' Accent Wraps are available in "UNIT" quantities
- Add 1" to inside dimensions to calculate outside measurements



SOFFIT SYSTEM



Airflow made easy.

VERSATEX continually looks for new ways to help reduce labor and improve aesthetics during installation. The first-ever Vented Cellular PVC Soffit System was designed by VERSATEX to create a one-stop shop for easy ventilation. The Vented Soffit features 10 square inches of free airspace per linear foot, making it one of the most superior airflow systems in the market. The vents are cut in a manner to prevent nesting insect infiltration while still being able to be screened when required by code. Notched Fascia and Frieze boards have a pre-mitered $\frac{9}{16}$ " pocket to accept $\frac{1}{2}$ " solid or vented VERSATEX Soffit.



Frieze Board

Notched Fascia

	<i>Actual</i>	<i>18' Vented</i>	<i>18' Solid</i>
$\frac{1}{2}$ " x 12"	•	•	•
$\frac{1}{2}$ " x 16"	•	•	•
$\frac{1}{2}$ " x 24"	•	•	•

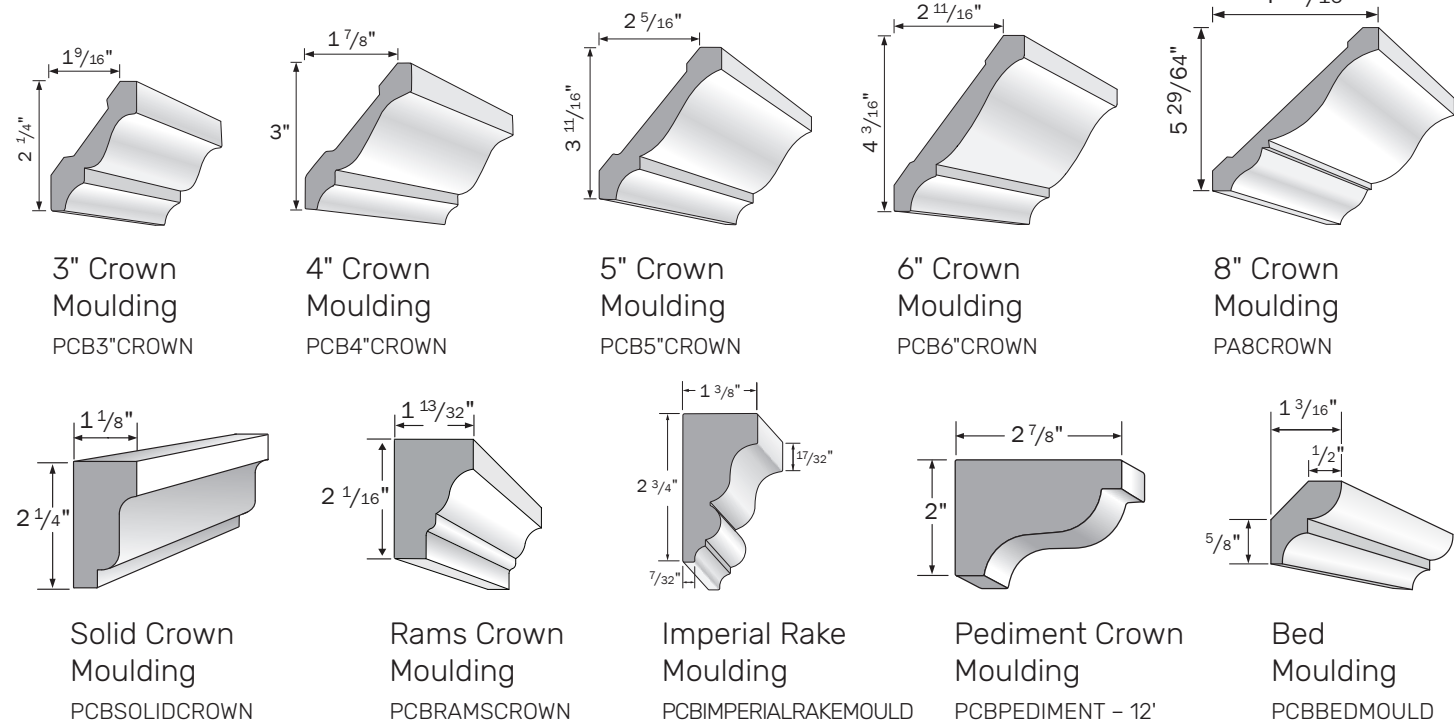
- Custom lengths available in "Smartpack" quantities
- Available in smooth finish only

<i>Product</i>	<i>Nominal</i>	<i>Actual</i>	<i>18' Smooth</i>	<i>18' Timber Ridge</i>
Notched Fascia	1 x 8	$\frac{3}{4}$ " x 7 $\frac{1}{4}$ "	•	•
Frieze Board	$\frac{5}{4}$ x 6	1" x 5 $\frac{1}{2}$ "	•	•

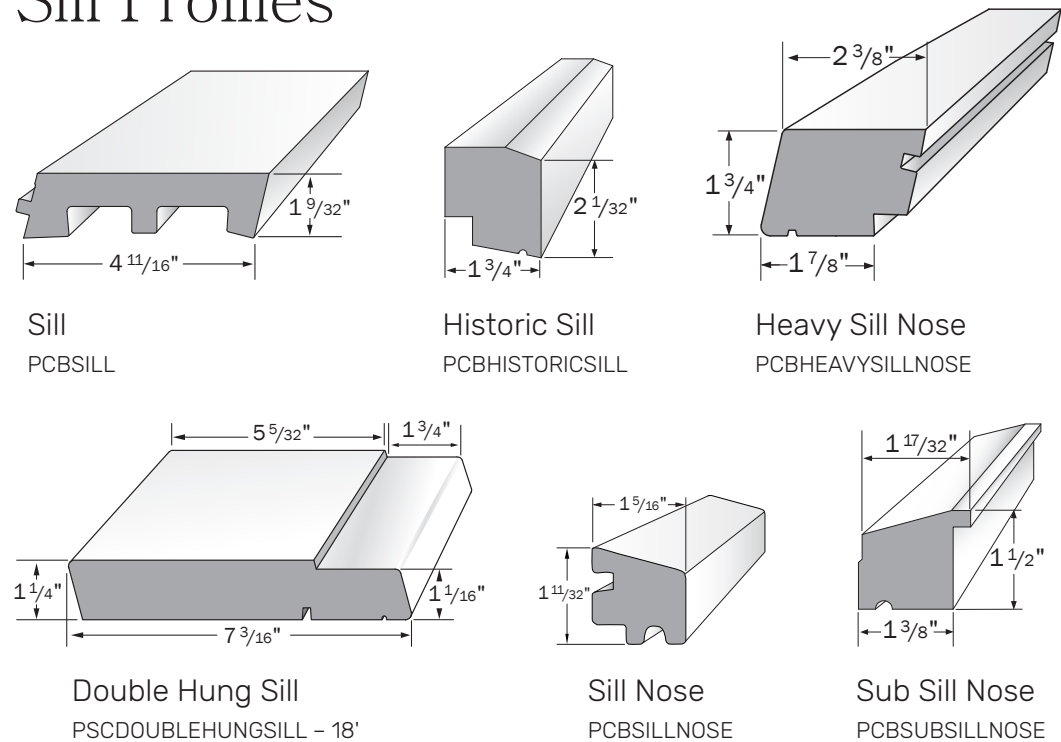
- Custom lengths and widths available in "Smartpack" quantities

MOULDINGS

Crown Profiles

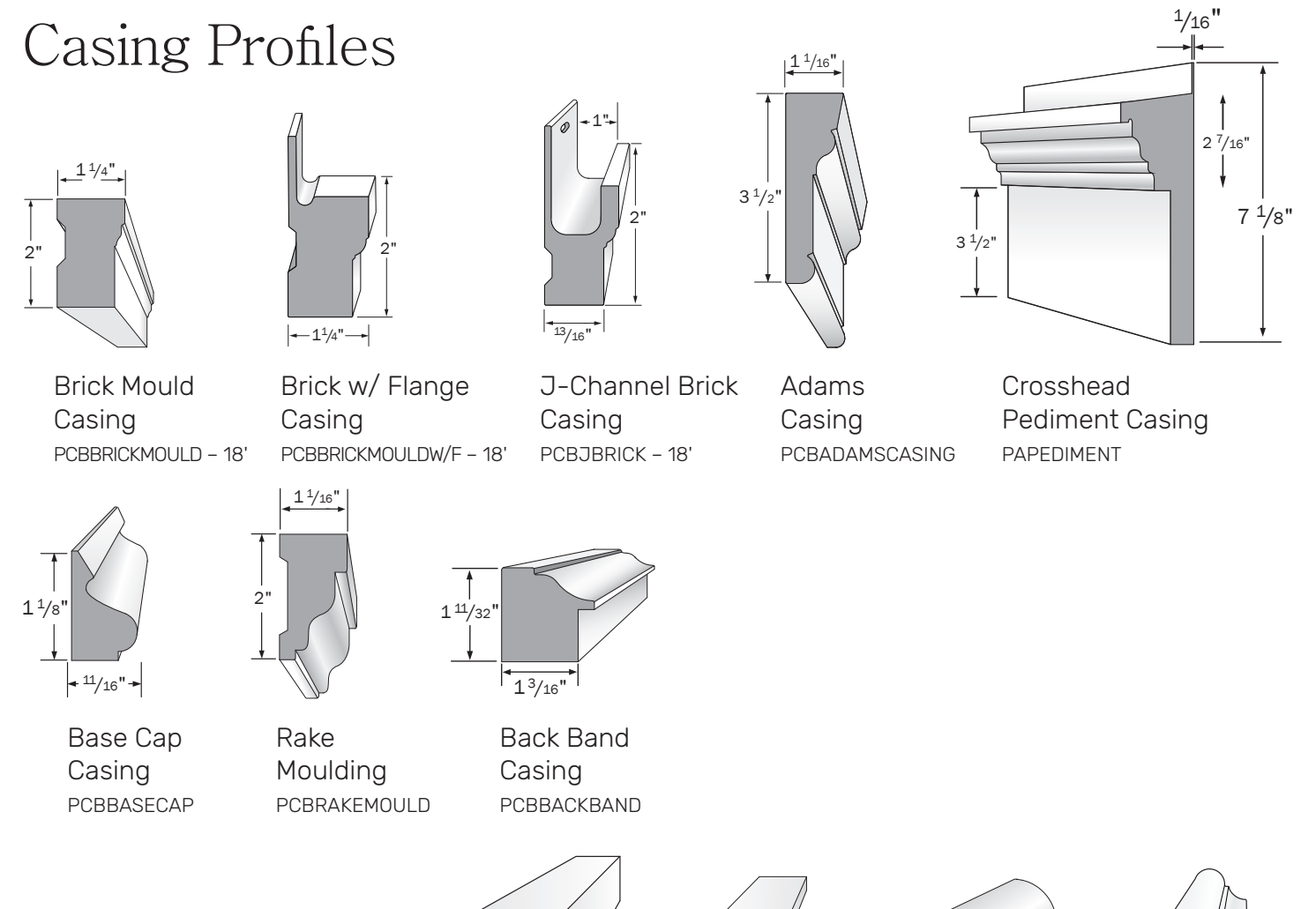


Sill Profiles



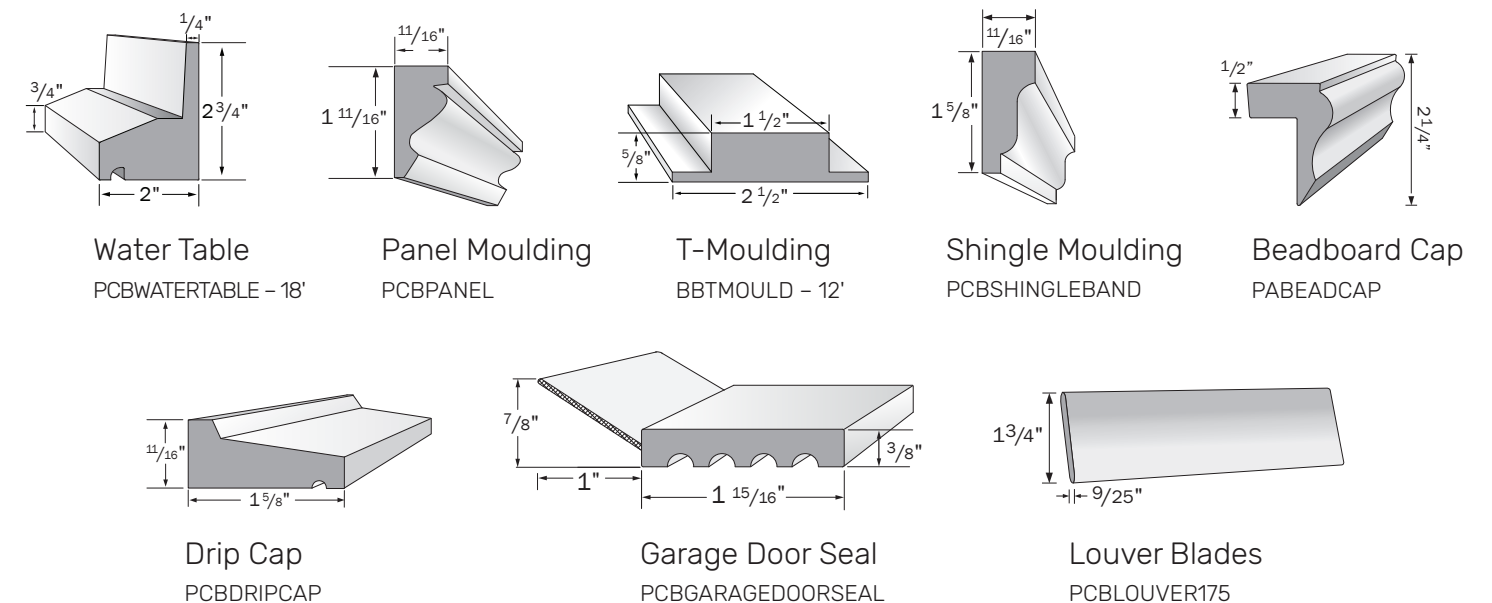
All mouldings manufactured in 16' lengths except where noted.

Casing Profiles



Cove Profiles

Additional Profiles



FINISHING SYSTEMS



Products to correctly complete any job.

VERSATEX makes sure builders have everything they need to make installation as perfect as possible. #20 biscuits are specifically made for VERSATEX PVC in any edge-to-edge biscuit joint application. VZClips allow for quicker and stronger install of WP4 & Nickel Gap profiles and Weld-On 705 is VERSATEX's adhesive of choice, having an approximate 3-5 minute set time and closely matching board color. Speaking of board color, VERSATEX offers end cut coatings for every color of the Canvas Series, ensuring every project looks its absolute best.



#20 Biscuits



VZClip



Weld-On 705



Canvas End Cut Coatings

Product	Quantity
#20 Biscuits	25/box; Cases contain 10 boxes
VZClip	Boxes contain approx. 315 clips
Stainless Steel VZClip	Boxes contain approx. 315 clips
Weld-On Can - Clear	4 oz 8 oz
Weld-On Can - White	16 oz 32 oz
Weld-On Squeeze Tube	5 oz (white only)
Canvas End Cut Coating	Cases contain 10 daubers

PREMIER BUILDER APP

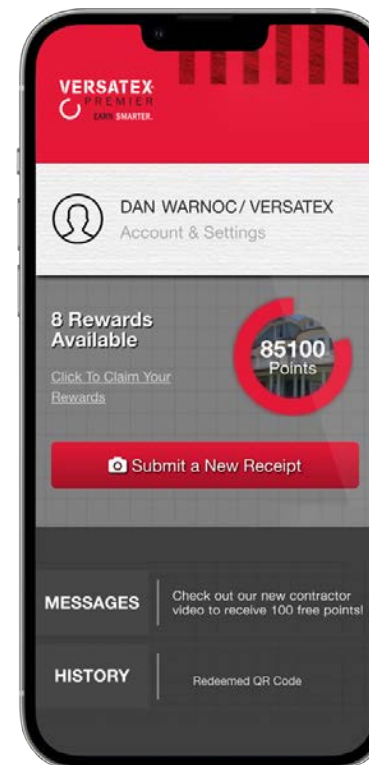


Earn and redeem rewards, simply.

The Premier Builder App gives builders and contractors the easiest tool for earning and redeeming rewards for purchasing VERSATEX products. If you can snap a picture, you can earn rewards – it's that simple. Scan and submit paid invoices into the app and be awarded 1 point per \$1 spent on VERSATEX. Use those points to redeem any number of prizes. More points earned unlock higher levels and better rewards. Download the Premier Builder app for Apple or Android devices and start seeing the benefits.



Scan to download the
VERSATEX Premier app



STEP 1

Download the VERSATEX Premier Builder App, available for both Apple and Android devices.

STEP 2

Enroll, following the easy steps to create your personalized account.

STEP 3

Begin earning points by scanning invoices, scanning QR codes or watching VERSATEX training videos.

STEP 4

Redeem rewards by using earned points on a constantly expanding prize list.



Scan for samples



VERSATEX Building Products,
400 Steel Street | Aliquippa, PA 15001
724.857.1111 | versatex.com



A big "thank you" to the builders whose craftsmanship is featured in this brochure.

