

**CHICAGO
FAUCETS®**
Geberit Group

Faucets and Fittings

Performance you can count on.



The Preferred Choice For Commercial Faucets



Every building has its own unique requirements. Every new project presents a new set of challenges.















There's a reason you can find Chicago Faucets in commercial and institutional facilities across the country – we provide innovative solutions for commercial projects.

Our faucets and fittings are true commercial-grade and extensively tested. Once they're installed, you can be sure that they'll work reliably and keep on working, preventing lost time and lost profits caused by costly call-backs.









**CHICAGO
FAUCETS**
Geberit Group






Touchless Faucets & Soap Dispensers

HyTronic® Series				
				
Page 10 - 11	Page 10 - 11	Page 12 - 13	Page 12 - 13	Page 14 - 17
HyTronic® Patient Care		ELR Series	EQ® Series	
				
Page 18 - 19	Page 18 - 19	Page 20 - 21	Page 22 - 25	Page 26 - 27
E-Tronic® 80	Soap Dispensers	E-Tronic® 40	EVR Series	Alpina® Series
				
Page 28 - 29	Page 30 - 31	Page 32	Page 33	Page 34

Deck-Mounted Single-Handle Metering Sink Faucets

333 Series	701 Series	807/844/857 Series	3400 Series	3500 Series
				
Page 36	Page 37	Page 38	Page 39	Page 40 - 41
3600 Series				
				
Page 42				









Deck-Mounted Two-Handle Metering Sink Faucets

404 Series	405 Series	786 Series	802 Series	895 Series
				
Page 44 - 45	Page 44 - 45	Page 46	Page 47	Page 48








Deck-Mounted Single-Handle Manual Sink Faucets

349/350 Series	410 Series	420 Series	430 Series	434/436 Series
				
Page 50 - 51	Page 52 - 53	Page 54 - 55	Page 56 - 57	Page 58 - 59
700/730 Series	2200 Series	2300 Series	2302 Series	3510 Series
				
Page 60	Page 61	Page 62	Page 63	Page 64






Deck-Mounted Two-Handle Manual Sink Faucets



50/51 Series	200 Series	201 Series	404/405 Series	526/891/895/1895
				
Page 66 - 67	Page 68 - 69	Page 70 - 71	Page 72 - 73	Page 74 - 75
527/1100/1102	786 Series	802 Series		
				
Page 76 - 77	Page 78 - 79	Page 80		

Wall-Mounted Service Sink Faucets






305/886 Series	445 Series	540 Series	814/815 Series	835 Series
				
Page 82	Page 83	Page 84	Page 85	Page 86
897 Series	911 Series			
				
Page 87	Page 88			

Wall-Mounted Two-Handle Manual Sink Faucets

225 Series	305 Series	445 Series	521 Series	540/631 Series
				
Page 90	Page 91	Page 92 - 93	Page 94 - 95	Page 96 - 97

640 Series	737 Series
	
Page 98 - 99	Page 100

Remote Valves and Spouts






625/628 Series	806/834 Series	745 Series	770/1771 Series	626/629 Series
				
Page 102	Page 103	Page 104	Page 105	Page 106



Food Service

W4D/W8D Series	W4W/W8W Series	510 Series	523 Series	924 Series
				
Page 108	Page 109	Page 110	Page 111	Page 112


613 Series	312/324/712 Series	332/334/515 Series	1366/1367 Series
			
Page 113	Page 114	Page 115	Page 116

Tub/Shower



1910 Series	1920 Series	Auto-Drain™	Ligature Resistant	2500 Series
				
Page 118	Page 119	Page 120 - 123	Page 124	Page 124

449 Series	752 Series
	
Page 125	Page 126

Safety and Infection Protection

Combination Emergency Eyewash and Gooseneck Faucets	Cross-Flow Prevention	Mixing Valves
		
Page 128 - 129	Page 132	Page 133 - 134

Stops & Urinals

Stops	Urinal Valves
	
Page 136 - 137	Page 138

Components

Spouts	Outlets	Handles	Cartridges	Supply Arms
				
Page 140 - 141	Page 142	Page 143	Page 144	Page 145

**CHICAGO
FAUCETS**
Geberit Group

Touchless Faucets



Why Chicago Faucets is **The Right Choice** for Your Touchless Faucets.

Our primary business is and always will be commercial faucets. This focus, combined with our commitment to quality, has made us experts on commercial applications and the number one choice of professionals for over a century. With Chicago Faucets, you can count on the highest quality, innovative features, and unparalleled support.

Look for the symbols below on our products and at chicagofaucets.com. They ensure you're getting the right faucets and fittings for your building.

ECAST Lead-Free brass construction

Durable and safe: one quarter of one percent (0.25%) or less total lead content by weighted average.

TempShield® Scald Protection built-in

Meet code, reduce installation time with products featuring integrated ASSE 1070 compliant scald protection.

CF NOW! Quick Ship program

We're ready when you are with 3-day shipment on many products plus 24-hour and same day shipment availability.*

BUY AMERICAN ACT COMPLIANT American-Made products

The majority of our products are manufactured and assembled in the United States.

CF CONNECT App

A secure and easy way to adjust and maintain our touchless faucets with a smartphone.

HyTronic® Series The Number One Choice for touchless faucets.

Our HyTronic® Series touchless faucets set the standard for reliability and user comfort in commercial buildings everywhere. When nothing but the best will do, choose HyTronic.

HyTronic® Patient Care A New Option for patient care applications.

We've created a line of HyTronic® touchless faucets specifically for patient care applications, giving patients added protection against healthcare-acquired infections.

LTPS⚡ Power that lasts (and lasts).

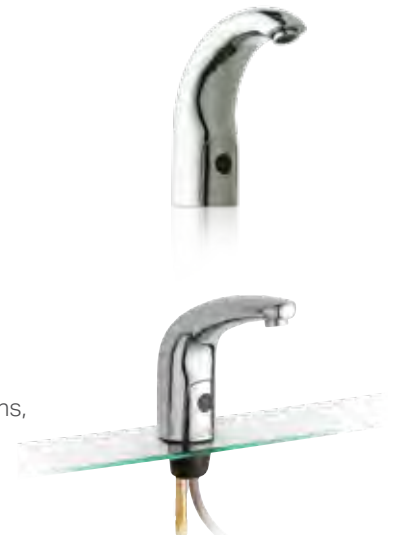
The Long Term Power System (LTPS) is the perfect solution for any commercial application, providing maintenance-free power for more than 15 years under normal use.

SSPS💧 A Maintenance-free and Energy Efficient power option.

The Self-sustaining Power System (SSPS) uses the simple flow of water to create and store power. Simply install below deck on the water supply line. There's no need to replace batteries or wire the faucet to the building's power supply.

EBPS🔌 A Safeguard against power outages.

The Emergency Backup Power System (EBPS) is an integrated backup power system available on select HyTronic® and E-Tronic® 40 AC-powered faucets.



*Eligible to ship within 24 hours after order acknowledgment and same day if order received by 12:00 pm CST. Customer pays freight.

ELR Series

Touchless **Ligature Resistant** faucets.

The ELR combines the added safety of ligature resistance and touch-free operation with the durability of a heavy-duty, one-piece cast brass body.



EQ® Series

Meet the Next Generation of touchless faucets.

We took what we know about building the highest quality commercial faucets in the world and combined it with advanced electronics. Introducing EQ®, the next generation of electronic faucets: easy to install, easy to operate, and easy to maintain. **Now available with matching soap dispenser!**



EVR Series

Hard Working overachiever.

The EVR Series combines the added safety and convenience of touchless operation with the durability of a heavy-duty, one-piece cast brass body.



E-Tronic® 40

Touchless Convenience combined with Chicago Faucets durability.

The E-Tronic® 40 is a great option for your restroom with advanced technology for dependability, convenience, and water savings.



E-Tronic® 80

Contemporary design with Dependable touchless convenience.

The E-Tronic® 80 is a new, contemporary design option for restroom applications, featuring above-deck electronics and models with integrated scald protection. **Now available with matching soap dispenser!**



Alpina® Series

Touchless and Timeless Faucets.

The slim, timeless, and elegant form combined with durable, solid brass construction makes Alpina® ideal for public buildings such as airports, retail, offices, or restaurants.



HyTronic® touchless faucets

- Choice of: AC, DC, AC with Emergency Backup Power Supply (EBPS), Long Term Power Supply (LTPS) or Self-Sustaining Power Supply (SSPS)
- CF Connect App allows easy monitoring and adjustments with a smartphone or tablet



Contemporary Spout

	Power Source					Mixer			Flow Rate	
	AC	DC	EBPS	LTPS	SSPS	None	Concealed	User Adjustable	0.35 GPM	0.5 GPM
116.102.AB.1T	■	—	—	—	—	■	—	—	—	■
116.102.AB.4T	■	—	—	—	—	■	—	—	■	—
116.112.AB.1T	■	—	—	—	—	—	■	—	—	■
116.112.AB.4T	■	—	—	—	—	—	■	—	■	—
116.122.AB.1T	■	—	—	—	—	—	—	■	—	■
116.122.AB.4T	■	—	—	—	—	—	—	■	■	—
116.202.AB.1T	—	■	—	—	—	■	—	—	—	■
116.202.AB.4T	—	■	—	—	—	■	—	—	■	—
116.212.AB.1T	—	■	—	—	—	—	■	—	—	■
116.212.AB.4T	—	■	—	—	—	—	■	—	■	—
116.222.AB.1T	—	■	—	—	—	—	—	■	—	■
116.222.AB.4T	—	■	—	—	—	—	—	■	■	—
116.599.AB.1T*	—	—	—	■	—	■	—	—	—	■
116.645.AB.1T*	—	—	—	■	—	—	■	—	—	■
116.649.AB.1T*	—	—	—	■	—	—	—	■	—	■
116.664.AB.1T	—	—	■	—	—	■	—	—	■	—
116.665.AB.1T	—	—	■	—	—	—	■	—	■	—
116.666.AB.1T	—	—	■	—	—	—	—	■	■	—
116.952.AB.1T	—	—	—	—	■	■	—	—	—	■



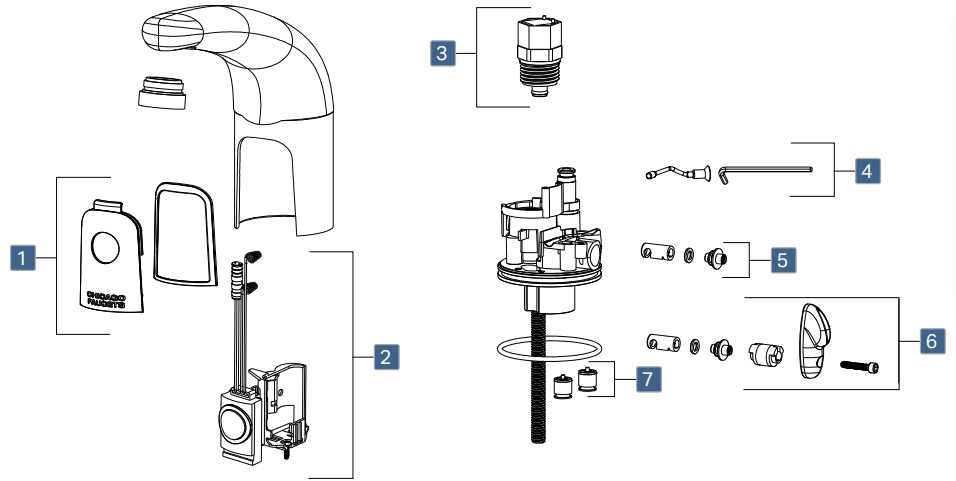
Traditional Spout

	Power Source					Mixer			Flow Rate	
	AC	DC	EBPS	LTPS	SSPS	None	Concealed	User Adjustable	0.35 GPM	0.5 GPM
116.101.AB.1T	■	—	—	—	—	■	—	—	—	■
116.111.AB.1T	■	—	—	—	—	—	■	—	—	■
116.111.AB.4T	■	—	—	—	—	—	■	—	■	—
116.121.AB.1T	■	—	—	—	—	—	—	■	—	■
116.121.AB.4T	■	—	—	—	—	—	—	■	■	—
116.201.AB.1T	—	■	—	—	—	■	—	—	—	■
116.201.AB.4T	—	■	—	—	—	■	—	—	■	—
116.211.AB.1T	—	■	—	—	—	—	■	—	—	■
116.211.AB.4T	—	■	—	—	—	—	■	—	■	—
116.221.AB.1T	—	■	—	—	—	—	—	■	—	■
116.221.AB.4T	—	■	—	—	—	—	—	■	■	—
116.598.AB.1T*	—	—	—	■	—	■	—	—	—	■
116.644.AB.1T*	—	—	—	■	—	—	■	—	—	■
116.648.AB.1T*	—	—	—	■	—	—	—	■	—	■
116.648.AB.4T*	—	—	—	■	—	—	—	■	■	—
116.951.AB.1T	—	—	—	—	■	■	—	—	—	■
116.661.AB.1T	—	—	■	—	—	■	—	—	■	—
116.662.AB.1T	—	—	■	—	—	—	■	—	■	—
116.663.AB.1T	—	—	■	—	—	—	—	■	■	—

*Not available with CFNow! shipping

Parts/Components

Model	Description
1	243.264.21.1 Window
2	242.433.00.1T Electronic Module
3	243.152.AB.1 Solenoid Valve
4	240.753.00.1 Shut-Off Screw
5	243.390.AB.1 Internal Mixer
6	240.746.AB.1 User Adjustable Mixer
7	550-009K Check Cartridge (1 qty)



Touchless
HyTronic®

Spouts

Model	A	B	C	Outlet
240.723.AB.1	5-1/2"	5-1/2"	6-5/8"	Female

Model	A	B	C	Outlet
240.724.AB.1	5-1/2"	5-1/2"	6-5/8"	Female

Model	A	B	C	Outlet
240.728.AB.1	5-1/2"	5-1/2"	6-5/8"	Female

Model	A	B	C	Outlet
240.729.AB.1	6-1/8"	5-1/8"	7-1/2"	Female

Outlets

Model	Thread	GPM
Non-Aerated Outlet Spray Vandal Resistant		
E2805	13/16" - 27 Male	0.5
Non-Aerated Outlet Vandal Resistant		
E39VP	13/16" - 27 Male	0.35

**CHICAGO
FAUCETS.**
Geberit Group

HyTronic® touchless faucets

- Choice of: AC, DC, AC with Emergency Backup Power Supply (EBPS), Long Term Power Supply (LTPS) or Self-Sustaining Power Supply (SSPS)
- CF Connect App allows easy monitoring and adjustments with a smartphone or tablet



Curve Spout

	Power Source					Mixer			Flow Rate		
	AC	DC	EBPS	LTPS	SSPS	None	Concealed	User Adjustable	0.35 GPM	0.5 GPM	1.5 GPM
116.759.AB.1T*	■	—	—	—	—	■	—	—	—	—	■
116.767.AB.1T*	■	—	—	—	—	—	■	—	—	—	■
116.779.AB.1T*	■	—	—	—	—	—	—	■	—	—	■
116.857.AB.1T*	—	■	—	—	—	■	—	—	—	■	—
116.867.AB.1T*	—	■	—	—	—	—	■	—	—	■	—
116.869.AB.1T*	—	■	—	—	—	—	■	—	—	—	■
116.857.AB.4T	—	■	—	—	—	■	—	—	■	—	—
116.867.AB.4T	—	■	—	—	—	—	■	—	■	—	—
116.877.AB.1T*	—	■	—	—	—	—	—	■	—	■	—
116.877.AB.4T	—	■	—	—	—	—	—	■	■	—	—
116.879.AB.1T	—	■	—	—	—	—	—	■	—	—	■
116.667.AB.1T	—	—	■	—	—	■	—	—	■	—	—
116.668.AB.1T	—	—	■	—	—	—	■	—	■	—	—
116.669.AB.1T	—	—	■	—	—	—	—	■	■	—	—
116.672.AB.1T	—	—	■	—	—	—	—	■	—	—	■
116.709.AB.1T*	—	—	—	■	—	■	—	—	—	—	■
116.711.AB.1T*†	—	—	—	■	—	■	—	—	—	—	■
116.937.AB.1T*	—	—	—	—	■	—	■	—	—	—	■
116.939.AB.1T*†	—	—	—	—	■	—	■	—	—	—	■



Edge Spout

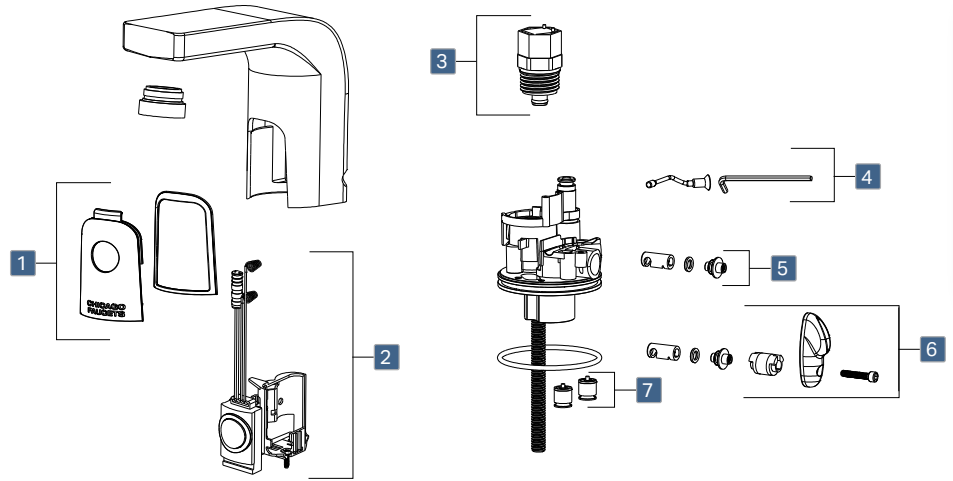
	Power Source					Mixer			Flow Rate		
	AC	DC	EBPS	LTPS	SSPS	None	Concealed	User Adjustable	0.35 GPM	0.5 GPM	1.5 GPM
116.758.AB.1T*	■	—	—	—	—	■	—	—	—	■	—
116.768.AB.1T*	■	—	—	—	—	—	■	—	—	■	—
116.778.AB.1T*	■	—	—	—	—	—	—	■	—	■	—
116.858.AB.1T*	—	■	—	—	—	■	—	—	—	■	—
116.858.AB.4T*	—	■	—	—	—	■	—	—	■	—	—
116.860.AB.4T	—	■	—	—	—	—	■	—	■	—	—
116.868.AB.1T*	—	■	—	—	—	—	■	—	—	■	—
116.870.AB.1T†	—	■	—	—	—	—	—	■	—	—	■
116.870.AB.4T†	—	■	—	—	—	—	—	■	■	—	—
116.878.AB.1T*	—	■	—	—	—	—	—	■	—	■	—
116.673.AB.1T	—	—	■	—	—	■	—	—	■	—	—
116.674.AB.1T	—	—	■	—	—	—	■	—	■	—	—
116.675.AB.1T	—	—	■	—	—	—	—	■	■	—	—
116.710.AB.1T*	—	—	—	■	—	■	—	—	—	■	—
116.712.AB.1T*†	—	—	—	■	—	—	■	—	—	—	■
116.716.AB.1T*†	—	—	—	■	—	—	—	■	—	—	■
116.938.AB.1T*	—	—	—	—	■	—	■	—	—	—	■

*Not available with CFNow! shipping

†Laminar control insert in spout inlet

Parts/Components

Model	Description
1	243.264.21.1 Window
2	242.433.00.1T Electronic Module
3	243.152.AB.1 Solenoid Valve
4	240.753.00.1 Shut-Off Screw
5	243.390.AB.1 Internal Mixer
6	240.746.AB.1 User Adjustable Mixer
7	550-009K Check Cartridge (1 qty)



Spouts

Model	A	B	C	Outlet
242.755.AB.1	7-1/4"	4-7/8"	9-1/2"	Female

Model	A	B	C	Outlet
242.798.AB.1	7-1/4"	4-7/8"	9-1/2"	Female

Model	A	B	C	Outlet
242.754.AB.1	4-1/2"	4-3/4"	5-3/4"	Female

Model	A	B	C	Outlet
242.797.AB.1	4-1/2"	4-3/4"	5-3/4"	Female

Outlets

Model	Thread	GPM
User Adjustable Outlet Spray Vandal Resistant		
E2805	13/16" - 27 Male	0.5
Non-Aerated Outlet Vandal Resistant		
E39VP	13/16" - 27 Male	0.35

HyTronic® touchless faucets

- Choice of: AC, DC, AC with Emergency Backup Power Supply (EBPS), Long Term Power Supply (LTPS) or Self-Sustaining Power Supply (SSPS)
- CF Connect App allows easy monitoring and adjustments with a smartphone or tablet



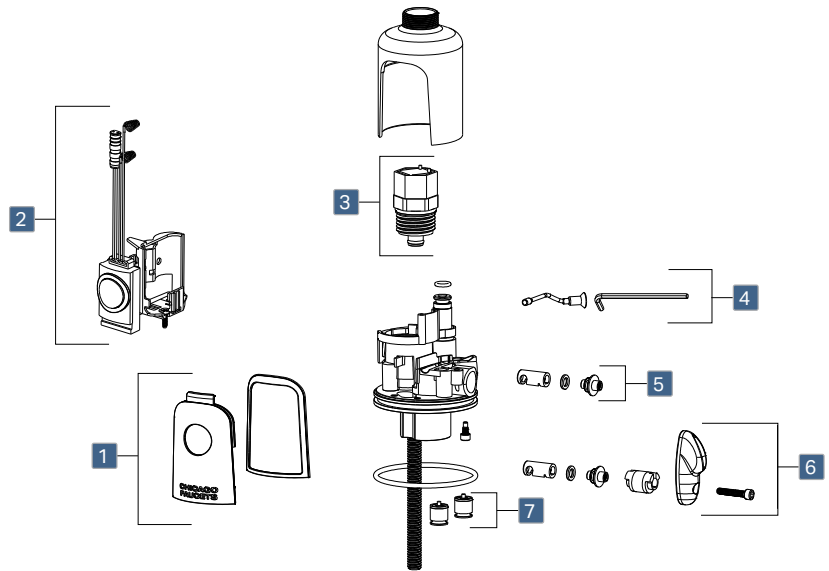
Gooseneck Spout, Deck-mounted

	Power Source					Mixer			Flow Rate		
	AC	DC	EBPS	LTPS	SSPS	None	Concealed	User Adjustable	0.35 GPM	0.5 GPM	1.5 GPM
116.103.AB.1T	■	—	—	—	—	■	—	—	—	■	—
116.103.AB.4T	■	—	—	—	—	■	—	—	■	—	—
116.113.AB.1T	■	—	—	—	—	—	■	—	—	■	—
116.113.AB.4T	■	—	—	—	—	—	■	—	■	—	—
116.123.AB.1T	■	—	—	—	—	—	—	■	—	■	—
116.123.AB.4T	■	—	—	—	—	—	—	■	■	—	—
116.203.AB.1T	—	■	—	—	—	■	—	—	—	■	—
116.203.AB.4T	—	■	—	—	—	■	—	—	■	—	—
116.213.AB.1T	—	■	—	—	—	—	■	—	—	■	—
116.213.AB.4T	—	■	—	—	—	—	■	—	■	—	—
116.223.AB.1T	—	■	—	—	—	—	—	■	—	■	—
116.223.AB.4T	—	■	—	—	—	—	—	■	■	—	—
116.430.AB.1T†	—	■	—	—	—	■	—	—	—	—	■
116.431.AB.1T†	—	■	—	—	—	—	■	—	—	—	■
116.432.AB.1T†	—	■	—	—	—	—	—	■	—	—	■
116.679.AB.1T	—	—	■	—	—	■	—	—	■	—	—
116.680.AB.1T	—	—	■	—	—	—	■	—	■	—	—
116.681.AB.1T	—	—	■	—	—	—	—	■	■	—	—
116.618.AB.1T	—	—	—	■	—	■	—	—	—	■	—
116.646.AB.1T	—	—	—	■	—	—	■	—	—	■	—
116.650.AB.1T	—	—	—	■	—	—	—	■	—	■	—
116.659.AB.1T	—	—	—	■	—	—	■	—	—	—	■
116.943.AB.1T	—	—	—	—	■	—	—	■	—	—	■
116.953.AB.1T	—	—	—	—	■	■	—	—	—	■	—
116.955.AB.1T	—	—	—	—	■	■	—	—	—	—	■

†Laminar control insert in spout inlet
*Not available with CFNow! shipping

Parts/Components

	Model	Description
1	243.264.21.1	Window
2	242.433.00.1T	Electronic Module
3	243.152.AB.1	Solenoid Valve
4	240.753.00.1	Shut-Off Screw
5	242.843.AB.1	Internal Mixer
6	240.746.AB.1	User Adjustable Mixer
7	550-009K	Check Cartridge (1 qty)



Spouts

	Model	A	B	C	Outlet
	Gooseneck Rigid/Swing				
	GN2AH8	6-1/8"	5-1/4"	9-3/4"	Male
	Gooseneck 1.5 GPM Laminar Insert				
	GN2H8FC	6-1/8"	5-1/4"	9-3/4"	Male

Outlets

Model	Thread	GPM
Non-Aerated Outlet Spray Vandal Resistant		
E2805-5	13/16" - 27 Male	0.5
Non-Aerated Outlet Vandal Resistant		
E38VP	13/16" - 24 UNS Female	0.35

HyTronic® touchless faucets

- Choice of: AC, DC, AC with Emergency Backup Power Supply (EBPS), Long Term Power Supply (LTPS) or Self-Sustaining Power Supply (SSPS)
- CF Connect App allows easy monitoring and adjustments with a smartphone or tablet



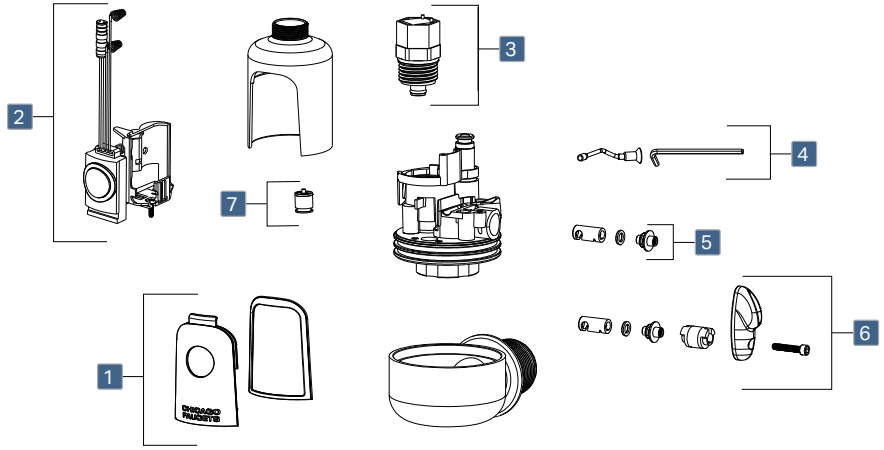
Gooseneck Spout, Wall-mounted

	Power Source					Mixer				Flow Rate	
	AC	DC	EBPS	LTPS	SSPS	None	Concealed	User Adjustable	External Thermostatic	0.35 GPM	0.5 GPM
116.104.AB.1T	■	—	—	—	—	■	—	—	—	—	■
116.114.AB.1T	■	—	—	—	—	—	■	—	—	—	■
116.124.AB.1T	■	—	—	—	—	—	—	■	—	—	■
116.204.AB.1T	—	■	—	—	—	■	—	—	—	—	■
116.204.AB.4T	—	■	—	—	—	■	—	—	—	■	—
116.214.AB.1T	—	■	—	—	—	—	■	—	—	—	■
116.214.AB.4T	—	■	—	—	—	—	■	—	—	■	—
116.224.AB.1T	—	■	—	—	—	—	—	■	—	—	■
116.224.AB.4T	—	■	—	—	—	—	—	■	—	■	—
116.688.AB.1T	—	—	■	—	—	■	—	—	—	■	—
116.689.AB.1T	—	—	■	—	—	—	■	—	—	■	—
116.690.AB.1T	—	—	■	—	—	—	—	■	—	■	—
116.619.AB.1T*	—	—	—	■	—	■	—	—	—	—	■
116.647.AB.1T*	—	—	—	■	—	—	■	—	—	—	■
116.651.AB.1T*	—	—	—	■	—	—	—	■	—	—	■
116.954.AB.1T	—	—	—	—	■	■	—	—	—	—	■

*Not available with CFNow! shipping

Parts/Components

	Model	Description
1	243.264.21.1	Window
2	242.433.00.1T	Electronic Module
3	243.152.AB.1	Solenoid Valve
4	240.753.00.1	Shut-Off Screw
5	242.843.AB.1	Internal Mixer
6	240.746.AB.1	User Adjustable Mixer
7	550-009K	Check Cartridge (1 qty)



Spouts

	Model	A	B	C	Outlet
	Gooseneck Rigid/Swing				
	GN2AH8	6-1/8"	5-1/4"	9-3/4"	Male

Outlets

Model	Thread	GPM
Non-Aerated Outlet Spray Vandal Resistant		
E2805-5	13/16" - 27 Male	0.5
Non-Aerated Outlet Vandal Resistant		
E38VP	13/16" - 24 UNS Female	0.35

HyTronic® Patient Care touchless faucets

A new option for touch-free faucets in patient care applications.

HyTronic Patient Care is a line of faucets designed specifically for patient care applications. HyTronic Patient Care faucets offer touch-free, dual beam design that provides quick response time and the added safety of improved hygiene. Most important of all, they limit the tested microbial contamination to a level statistically similar to standards set by a conventional manual faucet.



Tested and validated by a nationally-recognized testing laboratory

HyTronic Patient Care faucets were extensively tested for heterotrophic plate count (HPC) and Legionella bacteria. We utilized the test facilities at the University of Pittsburgh with culture and sample analysis performed by Special Pathogens Laboratory. SPL, a nationally-recognized analytical microbiology laboratory, specializes in the detection, control, and remediation of waterborne pathogens such as Legionella.



HyTronic Patient Care Traditional

	Power Source				Mixer			Flow Rate	
	AC	DC	EBPS	LTPS	None	Concealed	User Adjustable	1.5 GPM	2.2 GPM
116.615.AB.1T	■	—	—	—	■	—	—	■	—
116.590.AB.1T	—	■	—	—	■	—	—	—	■
116.592.AB.1T	—	■	—	—	—	—	■	■	—
116.695.AB.1T	—	—	—	■	■	—	—	—	■
116.696.AB.1T	—	—	—	■	—	—	■	■	—
116.607.AB.1T*	—	—	■	—	■	—	—	—	■
116.608.AB.1T*	—	—	■	—	—	—	■	■	—

*Available with CFNow! shipping



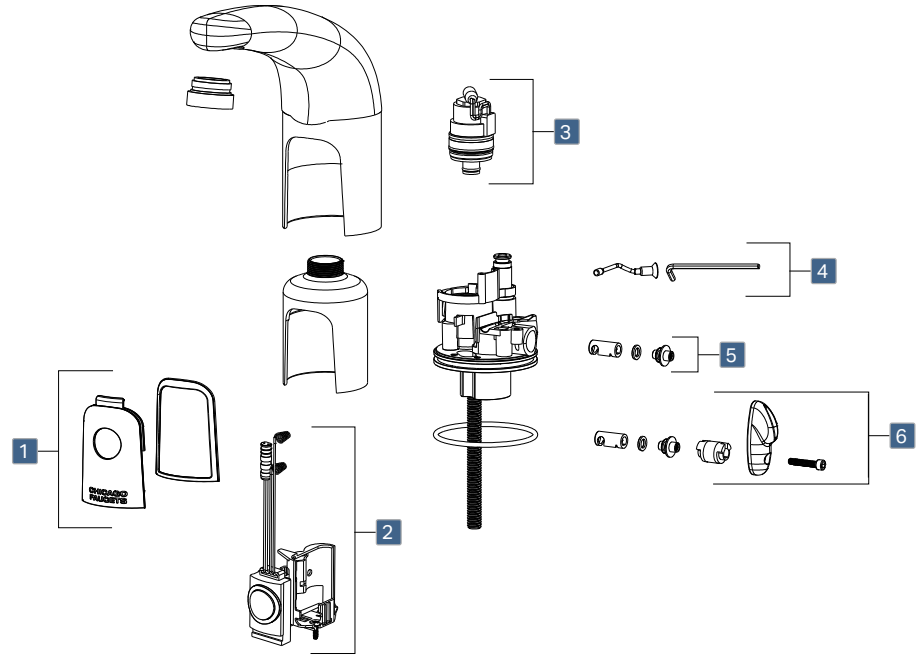
HyTronic Patient Care Gooseneck

	Power Source				Mixer			Flow Rate	
	AC	DC	EBPS	LTPS	None	Concealed	User Adjustable	2.2 GPM	2.5 GPM
116.595.AB.1T	■	—	—	—	■	—	—	■	—
116.597.AB.1T	■	—	—	—	—	—	■	—	■
116.594.AB.1T	—	■	—	—	■	—	—	■	—
116.596.AB.1T	—	■	—	—	—	—	■	—	■
116.697.AB.1T	—	—	—	■	■	—	—	■	—
116.609.AB.1T*	—	—	■	—	■	—	—	■	—
116.610.AB.1T*	—	—	■	—	—	—	■	—	■

*Available with CFNow! shipping

Parts/Components

Model	Description
1	243.264.21.1 Window
2	242.433.00.1T Electronic Module
3	240.744.AB.1 Solenoid Valve
4	240.753.00.1 Shut-Off Screw
5	242.843.AB.1 Internal Mixer
6	240.746.AB.1 User Adjustable Mixer



Spouts

Model	A	B	C	Outlet
240.723.AB.1	5-1/2"	5-1/2"	6-5/8"	Female

Model	A	B	C	Outlet
240.724.AB.1	5-1/2"	5-1/2"	6-5/8"	Female

Model	A	B	C	Outlet
Gooseneck Rigid/Swing				
GN2AH8	6-1/8"	5-1/4"	9-3/4"	Male
Gooseneck 1.5 GPM Laminar Insert				
GN2H8FC	6-1/8"	5-1/4"	9-3/4"	Male

Outlets

Model	Thread	GPM
Aerated Vandal Resistant		
E3VP	13/16" - 24 UNS Female	2.2
E12VP	13/16" - 27 UNS Male	2.2
Laminar Vandal Resistant		
E62VP	3/16" - 27 UNS Male, Antimicrobial	1.5

ELR Series touchless faucets

A new option for behavioral and healthcare applications.

Chicago Faucets has designed products to help reduce ligature hazards, resulting in a safer environment. Chicago Faucets ligature resistant products deliver durable, long lasting, solid brass construction and scald protection to provide a safe, solid solution in high-risk areas.

The ELR combines the added safety of ligature resistance and touch-free operation with the durability of a heavy-duty, one-piece cast brass body. Power options and mixing – including integrated scald protection – are concealed in a secure, compact control box.



- Rounded and sloped design to minimize ligature points
- One-piece cast brass body with recessed vandal resistant outlet
- 4" centers
- Available with integral ASSE 1070 compliant thermostatic protection
- CF Connect App allows easy monitoring and adjustments with a smartphone or tablet
- Choice of AC, DC, and Long Term Power Supply (LTPS)
- Polished chrome finish

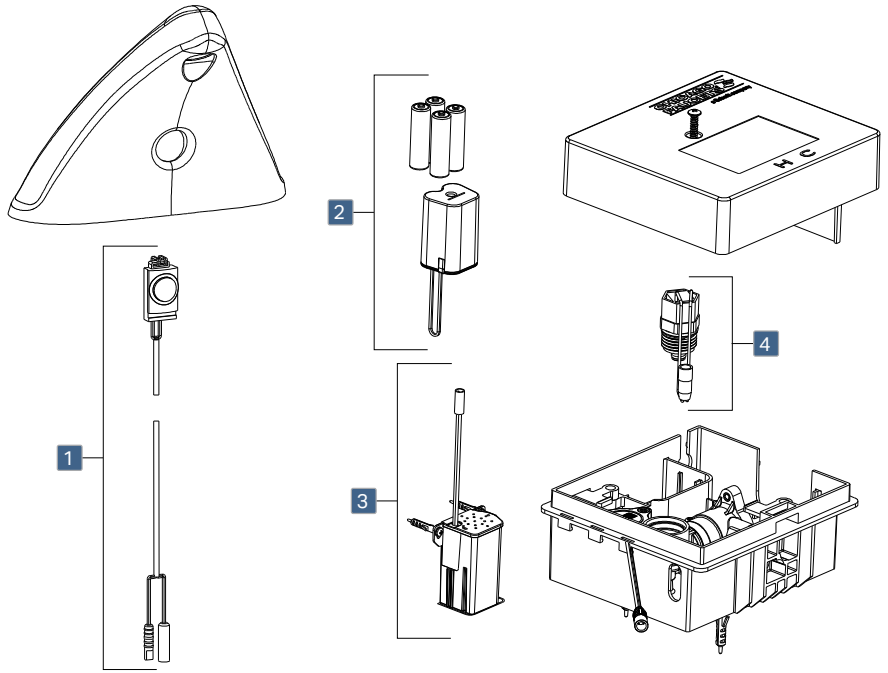


ELR

	Power Source			Mixer			Flow Rate	
	AC	DC	LTPS	None	Mechanical	Thermostatic	0.5 GPM	1.0 GPM
ELR-E12A-41ABCPT	■	—	—	■	—	—	■	—
ELR-E12E-41ABCPT	■	—	—	■	—	—	—	■
ELR-E12A-42ABCPT	■	—	—	—	■	—	■	—
ELR-E12E-42ABCPT	■	—	—	—	■	—	—	■
ELR-E12A-43ABCPT	■	—	—	—	—	■	■	—
ELR-E12E-43ABCPT	■	—	—	—	—	■	—	■
ELR-E12A-11ABCPT	—	■	—	■	—	—	■	—
ELR-E12E-11ABCPT	—	■	—	■	—	—	—	■
ELR-E12A-12ABCPT	—	■	—	—	■	—	■	—
ELR-E12E-12ABCPT	—	■	—	—	■	—	—	■
ELR-E12A-13ABCPT	—	■	—	—	—	■	■	—
ELR-E12E-13ABCPT	—	■	—	—	—	■	—	■
ELR-E12A-61ABCPT	—	—	■	■	—	—	■	—
ELR-E12E-61ABCPT	—	—	■	■	—	—	—	■
ELR-E12A-62ABCPT	—	—	■	—	■	—	■	—
ELR-E12E-62ABCPT	—	—	■	—	■	—	—	■
ELR-E12A-63ABCPT	—	—	■	—	—	■	■	—
ELR-E12E-63ABCPT	—	—	■	—	—	■	—	■

Parts/Components

	Model	Description
1	ELR-001JKNFT	Module
2	243.153.00.1	Batteries and Holder
3	243.869.00.1	Long Life Battery
4	243.152.AB.1	Solenoid Valve



Dimensions

	A	B	C	Outlet
	3-7/8"	6-1/2"	5"	Female

Outlets

Model	Thread	GPM
243.145.AB.1	Econo-Flo™ non-aerating spray	0.5
244.170.00.1	Laminar flow outlet	1.0

EQ® Series touchless faucets

- Choice of: AC, DC, Long Term Power Supply (LTPS), or Self-Sustaining Power Supply (SSPS)
- Available with integral ASSE 1070 compliant thermostatic protection
- Available with built-in Bluetooth® technology to monitor and control with a smartphone or tablet



Curved Spout, Single Hole

	Power Source					Mixer				Flow Rate	
	AC Hard-wire	AC Plug-in	DC	LTPS	SSPS	None	Mechanical Concealed	Thermostatic Concealed	Thermostatic User Adjustable	0.35 GPM	0.5 GPM
EQ-A11A-53ABCP	■	—	—	—	—	—	—	■	—	—	■
EQ-A21A-55ABCP	■	—	—	—	—	—	—	—	■	—	■
EQ-A11A-31ABCP	—	■	—	—	—	■	—	—	—	—	■
EQ-A11C-33ABCP	—	■	—	—	—	—	—	■	—	■	—
EQ-A11A-33ABCP	—	■	—	—	—	—	—	■	—	—	■
EQ-A21A-35ABCP	—	■	—	—	—	—	—	—	■	—	■
EQ-A11C-11ABCP	—	—	■	—	—	■	—	—	—	■	—
EQ-A11A-11ABCP*	—	—	■	—	—	■	—	—	—	—	■
EQ-A11A-12ABCP*	—	—	■	—	—	—	■	—	—	—	■
EQ-A11A-13ABCP*	—	—	■	—	—	—	—	■	—	—	■
EQ-A21A-15ABCP*	—	—	■	—	—	—	—	—	■	—	■
EQ-A11C-61ABCP	—	—	—	■	—	■	—	—	—	■	—
EQ-A11A-61ABCP	—	—	—	■	—	■	—	—	—	—	■
EQ-A11C-63ABCP	—	—	—	■	—	—	—	■	—	■	—
EQ-A11A-63ABCP	—	—	—	■	—	—	—	■	—	—	■
EQ-A11C-21ABCP*	—	—	—	—	■	■	—	—	—	■	—
EQ-A11C-23ABCP*	—	—	—	—	■	—	—	■	—	■	—
EQ-A21C-25ABCP*	—	—	—	—	■	—	—	—	■	■	—

*Available with CFNow! shipping



Curved Spout, Single Hole, Built-In Bluetooth® Technology

	Power Source					Mixer				Flow Rate	
	AC Hard-wire	AC Plug-in	DC	LTPS	SSPS	None	Mechanical Concealed	Thermostatic Concealed	Thermostatic User Adjustable	0.35 GPM	0.5 GPM
EQ-A11A-31ABCPT	—	■	—	—	—	■	—	—	—	—	■
EQ-A11A-33ABCPT	—	■	—	—	—	—	—	■	—	—	■
EQ-A11A-11ABCPT	—	—	■	—	—	■	—	—	—	—	■
EQ-A11A-13ABCPT	—	—	■	—	—	—	—	■	—	—	■



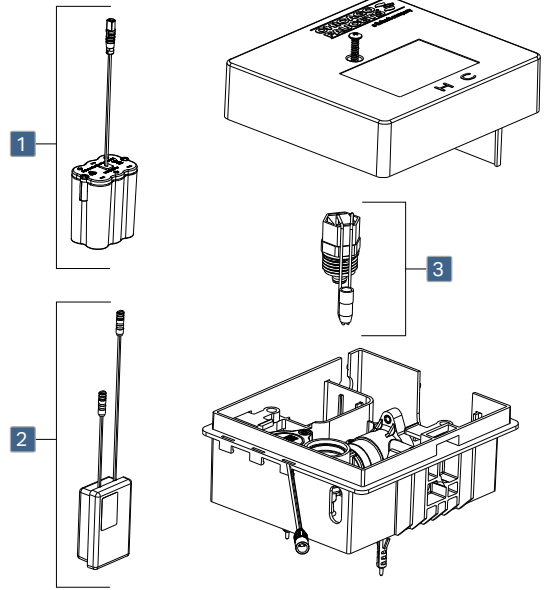
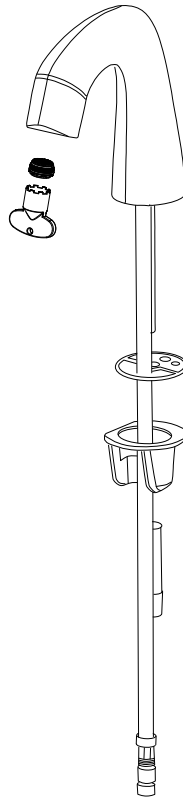
Curved Spout, 4" Centers

	Power Source					Mixer				Flow Rate	
	AC Hard-wire	AC Plug-in	DC	LTPS	SSPS	None	Mechanical Concealed	Thermostatic Concealed	Thermostatic User Adjustable	0.35 GPM	0.5 GPM
EQ-A12A-51ABCP	■	—	—	—	—	■	—	—	—	—	■
EQ-A12A-33ABCP	—	■	—	—	—	—	—	■	—	—	■
EQ-A12A-11ABCP*	—	—	■	—	—	■	—	—	—	—	■
EQ-A12A-12ABCP*	—	—	■	—	—	—	■	—	—	—	■
EQ-A12C-13ABCP	—	—	■	—	—	—	—	■	—	■	—
EQ-A12A-13ABCP*	—	—	■	—	—	—	—	■	—	—	■
EQ-A12C-23ABCP*	—	—	—	—	■	—	—	■	—	■	—

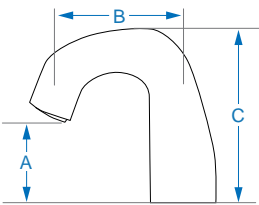
*Available with CFNow! shipping

Parts/Components

	Model	Description
1	EQ-006JKNF	Batteries and Holder
2	242.154.00.1	SSPS Power Cell
3	243.152.AB.1	Solenoid Valve



Spouts

	A	B	C	Outlet
	3"	4-1/2"	5-7/8"	Female

Outlets

Model	Thread	GPM
243.145.AB.1	Econo-Flo™ non-aerating spray	0.5
243.146.AB.1	Softflo aerator	1.0
243.706.00.1	Econo-Flo™ non-aerating spray	0.35

EQ® Series touchless faucets

- Choice of: AC, DC, Long Term Power Supply (LTPS), or Self-Sustaining Power Supply (SSPS)
- Available with integral ASSE 1070 compliant thermostatic protection
- 4" coverplate available

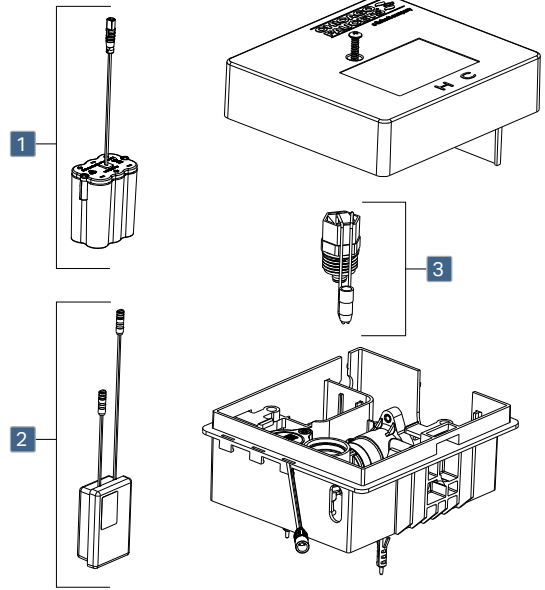
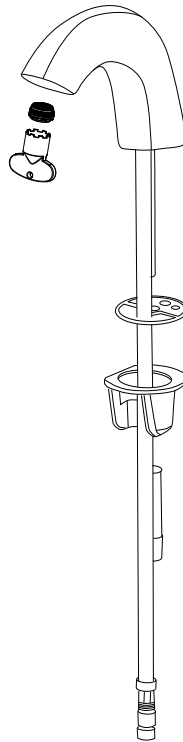


Arc Spout, Single Hole

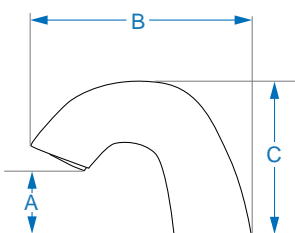
	Power Source				Mixer		Flow Rate
	AC Plug-in	DC	LTPS	SSPS	None	Thermostatic Concealed	0.5 GPM
EQ-R11A-31ABCP	■	—	—	—	■	—	■
EQ-R11A-33ABCP	■	—	—	—	—	■	■
EQ-R11A-11ABCP	—	■	—	—	■	—	■
EQ-R11A-13ABCP	—	■	—	—	—	■	■
EQ-R11A-61ABCP	—	—	■	—	■	—	■
EQ-R11A-63ABCP	—	—	■	—	—	■	■
EQ-R11A-21ABCP	—	—	—	■	■	—	■
EQ-R11A-23ABCP	—	—	—	■	—	■	■

Parts/Components

	Model	Description
1	EQ-006JKNF	Batteries and Holder
2	242.154.00.1	SSPS Power Cell
3	243.152.AB.1	Solenoid Valve



Spouts

	A	B	C	Outlet
	2"	6-1/4"	4-1/2"	Female

Outlets

Model	Thread	GPM
243.145.AB.1	Econo-Flo™ non-aerating spray	0.5

EQ® Series touchless faucets

- Choice of: AC, DC, Long Term Power Supply (LTPS), or Self-Sustaining Power Supply (SSPS)
- Available with integral ASSE 1070 compliant thermostatic protection



High Arc Spout, Single Hole

	Power Source					Mixer			Flow Rate	
	AC Hard-wire	AC Plug-in	DC	LTPS	SSPS	None	Thermostatic Concealed	Thermostatic User Adjustable	0.35 GPM	0.5 GPM
EQ-C11A-51ABCP	■	—	—	—	—	■	—	—	—	■
EQ-C11A-53ABCP	■	—	—	—	—	—	■	—	—	■
EQ-C11A-33ABCP	—	■	—	—	—	—	■	—	—	■
EQ-C11A-11ABCP	—	—	■	—	—	■	—	—	—	■
EQ-C11A-13ABCP	—	—	■	—	—	—	■	—	—	■
EQ-C21A-15ABCP*	—	—	■	—	—	—	—	■	—	■
EQ-C11A-61ABCP	—	—	—	■	—	■	—	—	—	■
EQ-C11A-63ABCP	—	—	—	■	—	—	■	—	—	■
EQ-C11C-21ABCP	—	—	—	—	■	■	—	—	■	—
EQ-C11A-62ABCP	—	—	—	—	■	—	■	—	—	■
EQ-C11C-23ABCP	—	—	—	—	■	—	■	—	■	—
EQ-C21C-25ABCP*	—	—	—	—	■	—	—	■	■	—

*Available with CFNow! shipping



High Arc Spout, Single Hole, Built-In Bluetooth® Technology

	Power Source					Mixer			Flow Rate	
	AC Hard-wire	AC Plug-in	DC	LTPS	SSPS	None	Thermostatic Concealed	Thermostatic User Adjustable	0.35 GPM	0.5 GPM
EQ-A11A-31ABCPT	■	—	—	—	—	■	—	—	—	■
EQ-A11A-33ABCPT	■	—	—	—	—	—	■	—	—	■
EQ-C11A-11ABCPT	—	—	■	—	—	■	—	—	—	■
EQ-C11A-13ABCPT	—	—	■	—	—	—	■	—	—	■



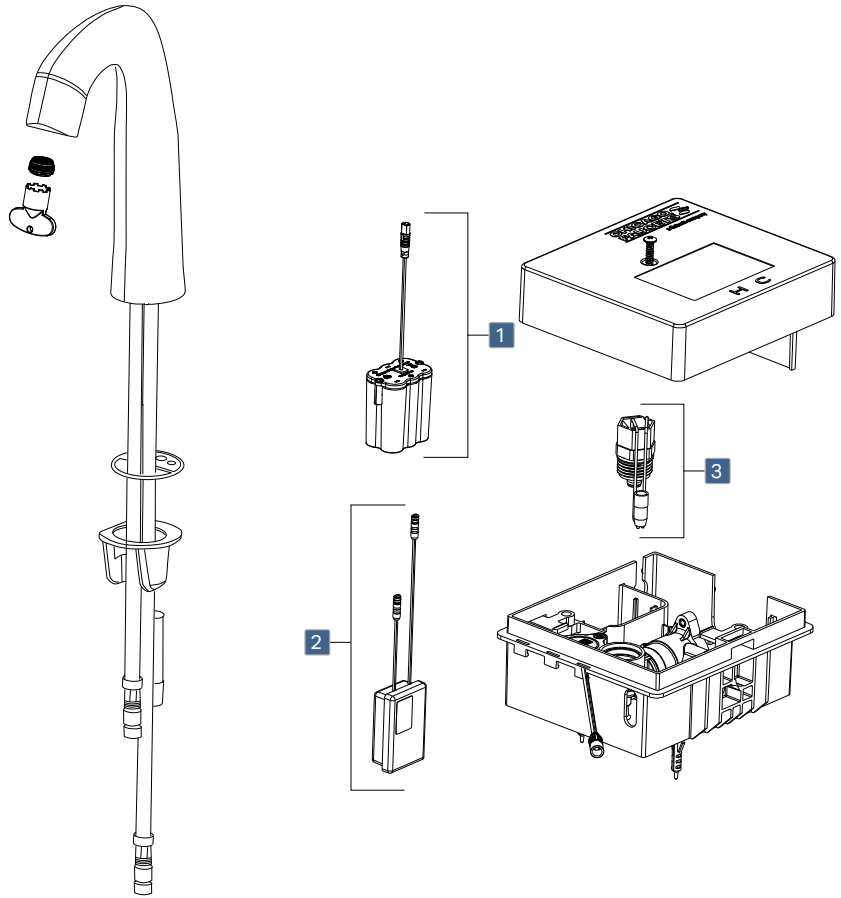
High Arc Spout, 4" Centers

	Power Source					Mixer			Flow Rate	
	AC Hard-wire	AC Plug-in	DC	LTPS	SSPS	None	Thermostatic Concealed	Thermostatic User Adjustable	0.35 GPM	0.5 GPM
EQ-C22A-15ABCP*	—	—	■	—	—	—	—	■	—	■

*Available with CFNow! shipping

Parts/Components

	Model	Description
1	EQ-006JKNF	Batteries and Holder
2	242.154.00.1	SSPS Power Cell
3	243.152.AB.1	Solenoid Valve



Spouts

	Model	A	B	C	Outlet
	EQ-C11A-51ABCP	6-1/4"	4-1/2"	9-5/8"	Female

Outlets

Model	Thread	GPM
243.145.AB.1	Econo-Flo™ non-aerating spray	0.5
243.706.00.1	Econo-Flo™ non-aerating spray	0.35

E-Tronic® 80 touchless faucet



- Above-deck electronics for fast installation and easy maintenance
- Available with single or dual supply
- Dual supply includes user adjustable temperature control option
- Available with integral ASSE 1070 compliant thermostatic protection
- CF Connect App allows easy monitoring and adjustments with a smartphone or tablet
- Choice of AC, DC, and Long Term Power Supply (LTPS)
- Choice of matte black or polished chrome finish



E-Tronic® 80, Polished Chrome Finish

	Power Source				Mixer			0.5 GPM	Laminar
	AC	DC	EBPS	LTPS	None	Mechanical	Thermostatic		
E80-A11A-41ABCPT	■	—	—	—	■	—	—	■	—
E80-A11H-41ABCPT	■	—	—	—	■	—	—	■	■
E80-A11A-46ABCPT	■	—	—	—	—	■	—	■	—
E80-A11H-46ABCPT	■	—	—	—	—	■	—	■	■
E80-A11A-47ABCPT	■	—	—	—	—	—	■	■	—
E80-A11H-47ABCPT	■	—	—	—	—	—	■	■	■
E80-A11A-11ABCPT	—	■	—	—	■	—	—	■	—
E80-A11H-11ABCPT	—	■	—	—	■	—	—	■	■
E80-A11A-16ABCPT	—	■	—	—	—	■	—	■	—
E80-A11H-16ABCPT	—	■	—	—	—	■	—	■	■
E80-A11A-17ABCPT	—	■	—	—	—	—	■	■	—
E80-A11H-17ABCPT	—	■	—	—	—	—	■	■	■
E80-A11A-61ABCPT	—	—	—	■	■	—	—	■	—
E80-A11H-61ABCPT	—	—	—	■	■	—	—	■	■
E80-A11A-66ABCPT	—	—	—	■	—	■	—	■	—
E80-A11H-61ABCPT	—	—	—	■	—	■	—	■	■
E80-A11A-67ABCPT	—	—	—	■	—	—	■	■	—
E80-A11H-61ABCPT	—	—	—	■	—	—	■	■	■

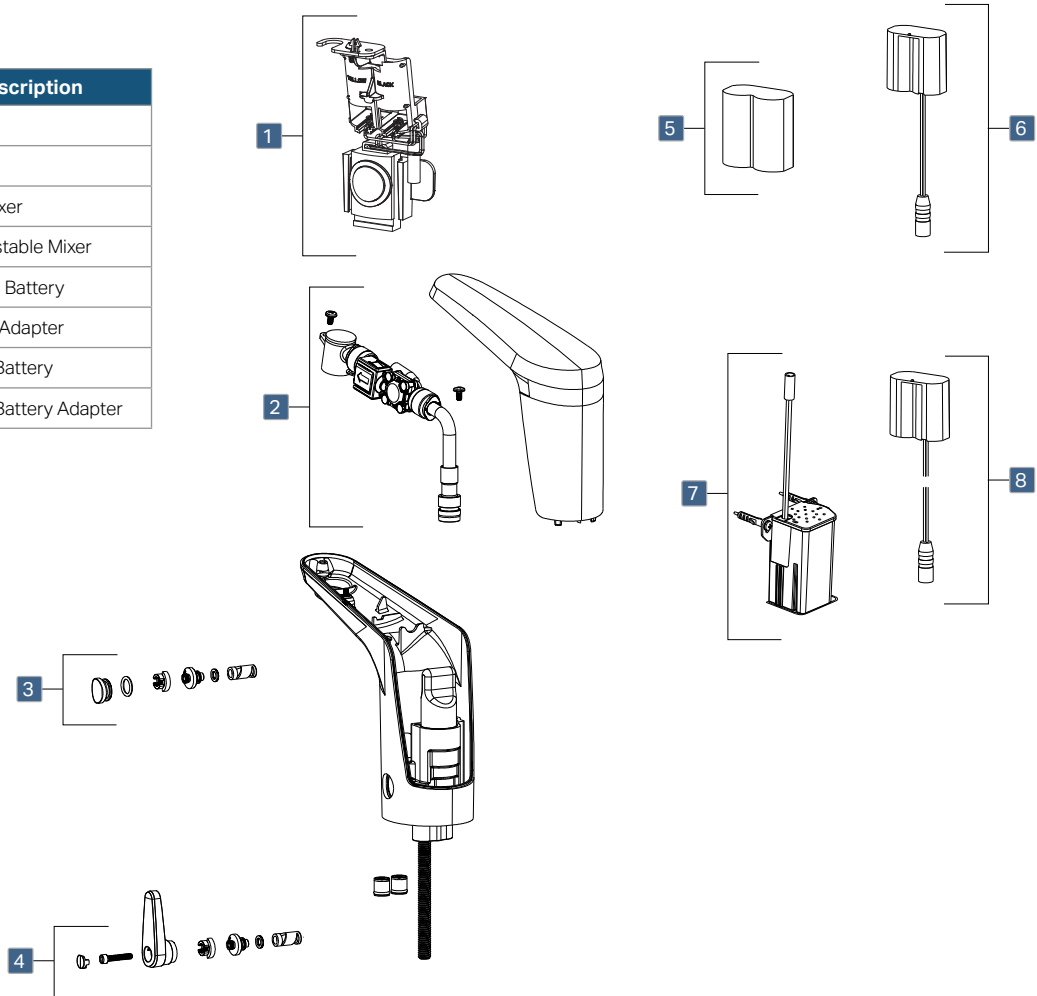


E-Tronic® 80, Matte Black Finish

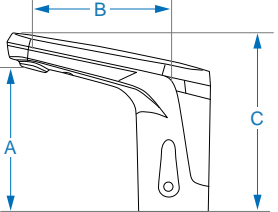
	Power Source				Mixer			0.5 GPM	Laminar
	AC	DC	EBPS	LTPS	None	Mechanical	Thermostatic		
E80-A11A-41ABMBT	■	—	—	—	■	—	—	■	—
E80-A11A-47ABMBT	■	—	—	—	—	—	■	■	—
E80-A11A-11ABMBT	—	■	—	—	■	—	—	■	—
E80-A11A-17ABMBT	—	■	—	—	—	—	■	■	—
E80-A11A-61ABMBT	—	—	—	■	■	—	—	■	—
E80-A11A-67ABMBT	—	—	—	■	—	—	■	■	—

Parts/Components

Model	Description
1	244.458.00.1T Module
2	244.456.00.1 Solenoid
3	244.466.00.1 Internal Mixer
4	244.462.00.1 User Adjustable Mixer
5	242.560.00.1 6V Lithium Battery
6	240.747.00.1 AC Power Adapter
7	243.867.00.1 Long Life Battery
8	243.868.00.1 Long Life Battery Adapter



Dimensions

	A	B	C	Outlet
	4-7/8"	6-7/8"	6-1/8"	Female

Outlets

Model	Thread	GPM
243.145.AB.1	Econo-Flo™ non-aerating spray	0.5
244.168.00.1	Laminar flow outlet	0.5
244.169.00.1	Laminar flow outlet	1.5
244.170.00.1	Laminar flow outlet	1.0
243.698.AB.1	Econo-Flo™ non-aerating spray	0.35

EQ® Series soap dispenser

- Hands-free operation means improved hygiene
- Automatically dispenses a pre-measured amount
- Choice of foam or liquid soap models
- Choice of AC or DC power
- Polished chrome finish

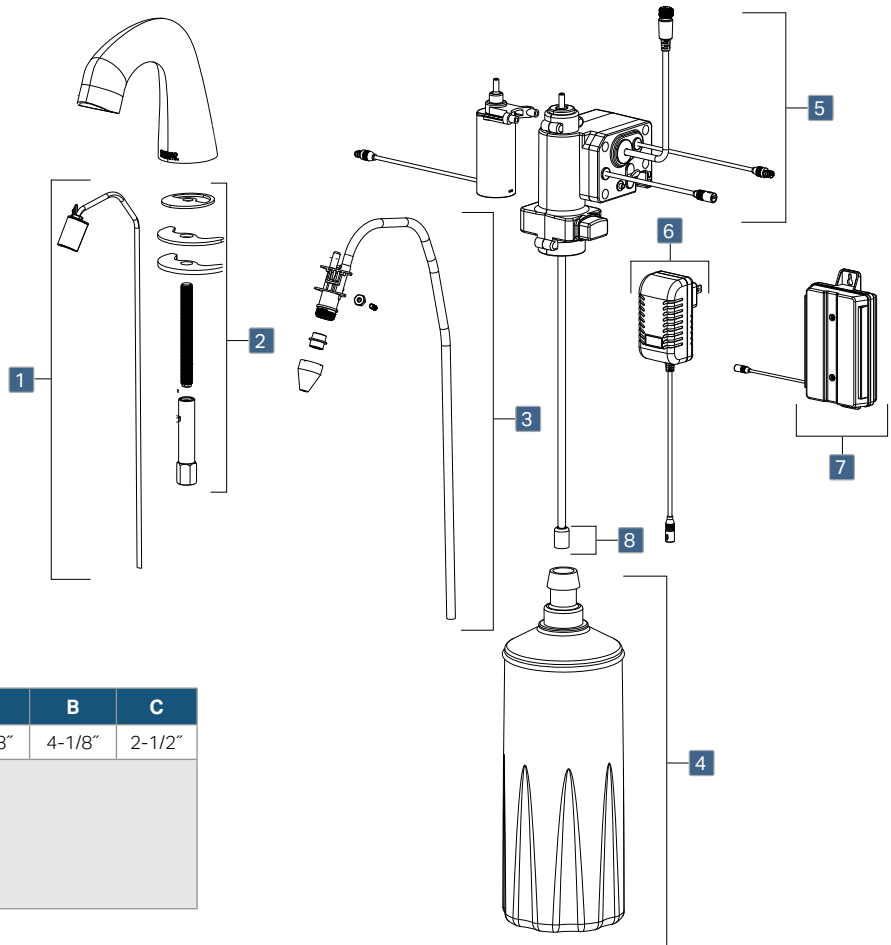


EQ® Series Soap Dispenser, Polished Chrome Finish

Model	Power Source		Soap	
	AC	DC	Foam	Liquid
EQ-SDF-4CP	■	—	■	—
EQ-SDF-1CP	—	■	■	—
EQ-SDL-4CP	■	—	—	■
EQ-SDL-1CP	—	■	—	■

Parts/Components

Model	Description
1 258-JKNF	Sensor
2 259-JKNF	Mounting Hardware
3 260-JKNF	Outlet Assembly - Liquid
3 261-JKNF	Outlet Assembly - Foam
4 1922-016K	Soap Bottle
5 1922-008K	Control Box - Foam
5 1922-011K	Control Box - Liquid
6 1922-013K	Plug-In Transformer (AC)
7 1922-014K	Battery Holder (DC)
8 1922-012K	ESD CV Housing Liquid & Foam



Dimensions

A	B	C
6-7/8"	4-1/8"	2-1/2"

E-Tronic® 80 soap dispenser

- Hands-free operation means improved hygiene
- Automatically dispenses a pre-measured amount
- Choice of foam or liquid soap models
- Choice of AC or DC power
- Choice of matte black or polished chrome finish



E-Tronic® 80 Soap Dispenser, Polished Chrome Finish

Model	Power Source		Soap	
	AC	DC	Foam	Liquid
E80-SDF-4CP	■	—	■	—
E80-SDF-1CP	—	■	■	—
E80-SDL-4CP	■	—	—	■
E80-SDL-1CP	—	■	—	■

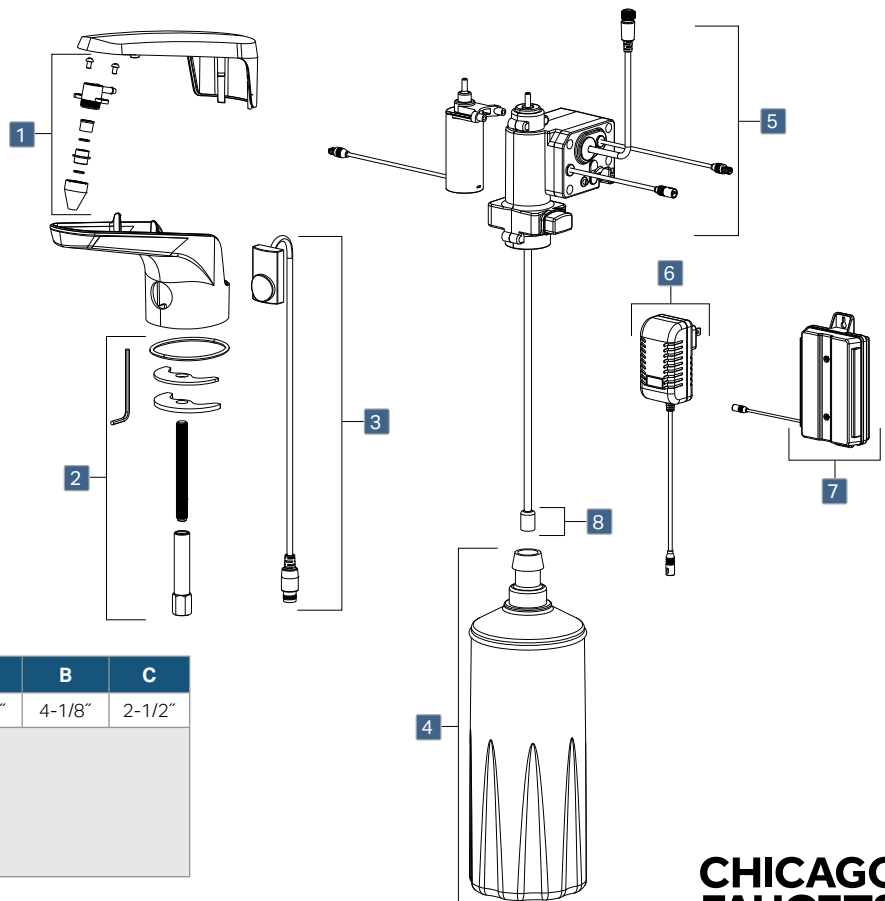


E-Tronic® 80 Soap Dispenser, Matte Black Finish

Model	Power Source		Soap	
	AC	DC	Foam	Liquid
E80-SDF-4MB	■	—	■	—
E80-SDF-1MB	—	■	■	—
E80-SDL-4MB	■	—	—	■
E80-SDL-1MB	—	■	—	■

Parts/Components

Model	Description
1	1922-009K Outlet Assembly - Liquid
	1922-015K Outlet Assembly - Foam
2	1922-010K Mounting Hardware
3	1922-007K Sensor Assembly
4	1922-016K Soap Bottle
5	1922-008K Control Box - Foam
	1922-011K Control Box - Liquid
6	1922-013K Plug-In Transformer (AC)
7	1922-014K Battery Holder (DC)
8	1922-012K ESD CV Housing Liquid & Foam



Dimensions

A	B	C
6-7/8"	4-1/8"	2-1/2"



E-Tronic® 40 touchless faucet

- Above-deck electronics for faster installation and easier maintenance
- Single supply
- Available with external ASSE 1070 compliant thermostatic protection
- CF Connect App allows easy monitoring and adjustments with a smartphone or tablet
- Choice of: AC, DC, AC with Emergency Backup Power Supply (EBPS), or Self-Sustaining Power Supply (SSPS)
- Polished chrome finish

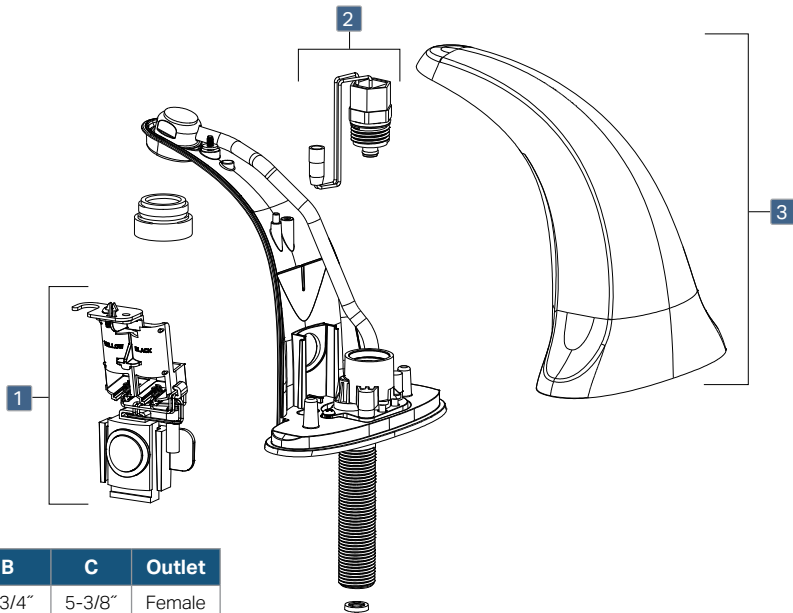


Model	Power Source					Mixer			0.5 GPM
	AC	DC	EBPS	LTPS	SSPS	None	External Mechanical	External Thermostatic	
116.706.AB.1T	■	—	—	—	—	■	—	—	■
116.606.AB.1T	—	■	—	—	—	■	—	—	■
116.707.AB.1T	—	—	■	—	—	■	—	—	■
116.699.AB.1T*	—	—	—	■	—	■	—	—	■
116.956.AB.1T	—	—	—	—	■	■	—	—	■
116.966.AB.1T	—	—	—	—	■	—	■	—	■
116.976.AB.1T	—	—	—	—	■	—	—	■	■

*Not available with CFNow! shipping.

Parts/Components

Model	Description
1 242.337.00.1T	Module
2 243.152.AB.1	Solenoid
3 242.338.21.1	Spout Cover



Dimensions

	A	B	C	Outlet
	5-3/8"	5-3/4"	5-3/8"	Female

Outlets

Model	Thread	GPM
Non-Aerated Outlet Spray Vandal Resistant		
E2805	13/16" - 27 Male	0.5

EVR Series touchless faucet



- 4" centers
- One-piece cast brass body
- Higher and longer spout reach for improved user experience
- Available with integral ASSE 1070 compliant thermostatic protection
- CF Connect App allows easy monitoring and adjustments with a smartphone or tablet
- Choice of AC, DC, and Long Term Power Supply (LTPS)
- Polished chrome finish

ECAST

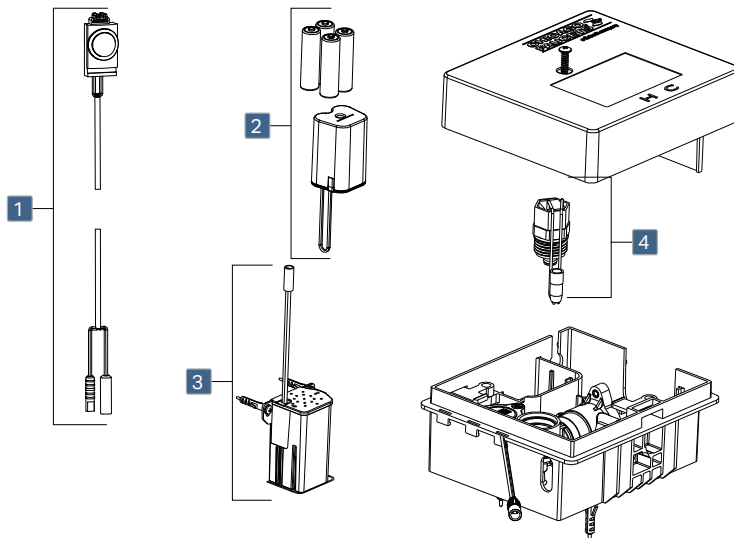


Model	Power Source			Mixer			Flow Rate	
	AC	DC	LTPS	None	Mechanical	Thermostatic	0.35 GPM	0.5 GPM
EVR-A12D-41ABCPT	■	—	—	■	—	—	■	—
EVR-A12A-41ABCPT	■	—	—	■	—	—	—	■
EVR-A12D-42ABCPT*	■	—	—	—	■	—	■	—
EVR-A12A-42ABCPT*	■	—	—	—	■	—	—	■
EVR-A12D-43ABCPT†	■	—	—	—	—	■	■	—
EVR-A12A-43ABCPT†	■	—	—	—	—	■	—	■
EVR-A12D-11ABCPT	—	■	—	■	—	—	■	—
EVR-A12A-11ABCPT	—	■	—	■	—	—	■	—
EVR-A12D-12ABCPT*	—	■	—	—	■	—	■	—
EVR-A12A-12ABCPT*	—	■	—	—	■	—	—	■
EVR-A12D-13ABCPT†	—	■	—	—	—	■	■	—
EVR-A12A-13ABCPT†	—	■	—	—	—	■	—	■
EVR-A12D-61ABCPT	—	—	■	■	—	—	■	—
EVR-A12A-61ABCPT	—	—	■	■	—	—	—	■
EVR-A12D-62ABCPT*	—	—	■	—	■	—	■	—
EVR-A12A-62ABCPT*	—	—	■	—	■	—	—	■
EVR-A12D-63ABCPT†	—	—	■	—	—	■	■	—
EVR-A12A-63ABCPT†	—	—	■	—	—	■	—	■

*Mechanical Mixing Valve †Thermostatic Mixing Valve

Parts/Components

Model	Description
1 ELR-001JKNFT	Module
2 243.153.00.1	Batteries and Holder
3 243.869.00.1	Long Life Battery
4 243.152.AB.1	Solenoid Valve



Dimensions

A	B	C	Outlet
3-5/8"	5"	4-3/4"	Female

Outlets

Model	Thread	GPM
243.145.AB.1	Econo-Flo™ non-aerating spray	0.5
243.698.AB.1	Econo-Flo™ non-aerating spray	0.35

CHICAGO FAUCETS.
Geberit Group

Alpina® Series - touchless faucet

- Single hole
- Choice of curved or angular spout with below-deck control box
- Stainless steel supply hoses included
- Available with concealed 1070 certified mixing valve
- CF Connect App allows easy monitoring and adjustments with a smartphone or tablet
- Choice of AC, DC, LTPS or SSPS power
- Polished chrome finish



Alento



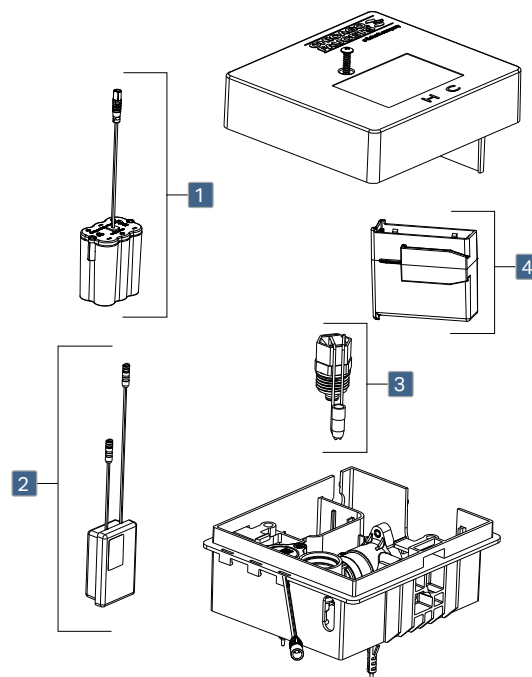
Avisio®



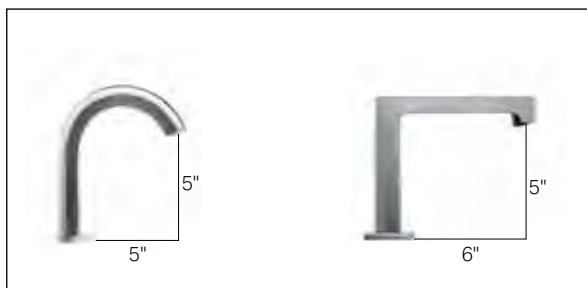
Model	Power Source				Mixer		Flow Rate
	AC	DC	LTPS	SSPS	None	Concealed	0.5 GPM
Alento touchless faucet							
AEQ-B11A-31ABCPT	■	—	—	—	■	—	■
AEQ-B11A-33ABCPT	■	—	—	—	—	■	■
AEQ-B11A-11ABCPT	—	■	—	—	■	—	■
AEQ-B11A-13ABCPT	—	■	—	—	—	■	■
AEQ-B11A-61ABCPT	—	—	■	—	■	—	■
AEQ-B11A-63ABCPT	—	—	■	—	—	■	■
AEQ-B11A-21ABCPT	—	—	—	■	■	—	■
AEQ-B11A-23ABCPT	—	—	—	■	—	■	■
Avisio® touchless faucet							
AEQ-P11A-31ABCPT	■	—	—	—	■	—	■
AEQ-P11A-33ABCPT	■	—	—	—	—	■	■
AEQ-P11A-11ABCPT	—	■	—	—	■	—	■
AEQ-P11A-13ABCPT	—	■	—	—	—	■	■
AEQ-P11A-61ABCPT	—	—	■	—	■	—	■
AEQ-P11A-63ABCPT	—	—	■	—	—	■	■
AEQ-P11A-21ABCPT	—	—	—	■	■	—	■
AEQ-P11A-23ABCPT	—	—	—	■	—	■	■

Parts/Components

	Model	Description
1	243.153.00.1	Batteries and Holder
2	242.154.00.1	SSPS Power Cell
3	243.152.AB.1	Solenoid Valve
4	AEQ-001JKNF	Controller



Dimensions



Deck-Mounted Single-Handle Metering Sink Faucets

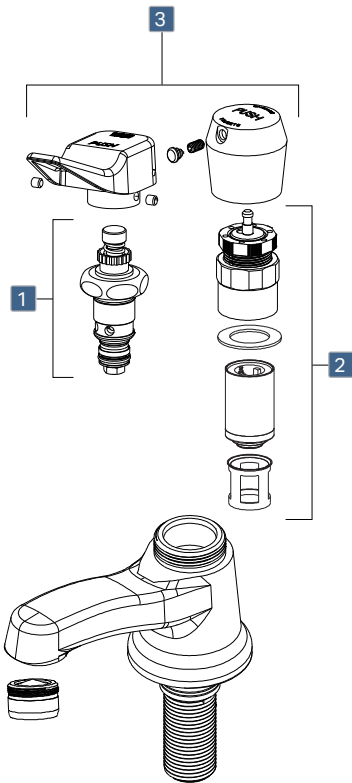


Deck-mounted metering sink faucet Series: 333

- 1/2" NPSM supply inlets and coupling nut for 3/8" or 1/2" flexible riser
- MVP™ metering cartridge
- Polished chrome finish





Model	Cartridge	Handle	Outlet
333-336PSHABCP	NAIAD	336	E12
333-665E39VPSHABCP	MVP	665	E39VP
333-665PSHABCP	MVP	665	E12
333-665PSHVPAABCP	MVP	665	E12VP
333-E2805-665PSHAB	MVP	665	E2805



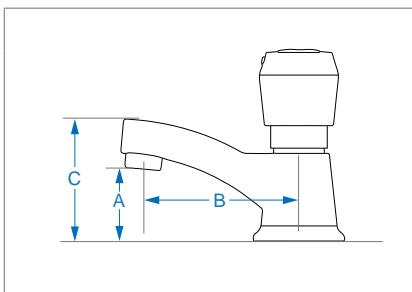
Cartridges

Model	Description
NAIAD	
1	335-X Adjustable metering cartridge
	667-080K MVP cartridge and actuator

Handles

Model	Description	
3	336 2-13/16" push-tilt handle	
	665 1-3/4" MVP metering push handle	

Spout Dimensions



Model	A	B	C	Outlet
333	1-1/2"	3-1/2"	2-5/8"	Female

Outlets

Model	Thread	GPM
Aerated Standard		
E12	13/16" - 27 UNS Male	2.2
Aerated Vandal Resistant		
E12VP	13/16" - 27 UNS Male	2.2
Non-Aerated Spray Vandal Resistant		
E39VP	13/16" - 27 UNS Male	0.35
E2805	13/16" - 27 UNS Male	0.5

Deck-mounted metering sink faucet Series: 701

- 2-5/8" high integral cast brass spout
- Self-closing cartridge
- Single hole
- 2.2 GPM flow rate




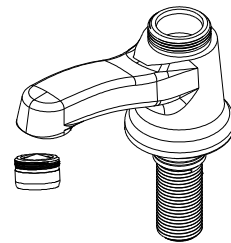
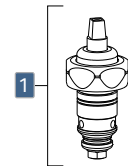
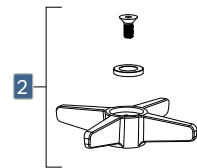
Model	Cartridge	Handle	Outlet
701-COLDABCP	Klo-Self	633-COLD	E12

Cartridge

Model	Description
1 826-X	Self-closing cartridge

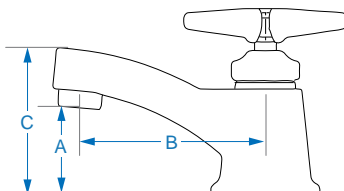
Handle

Model	Description
2 633	3" cross handle 



Spout Dimensions

Model	A	B	C	Outlet
700	1-1/2"	3-1/2"	2-5/8"	Female

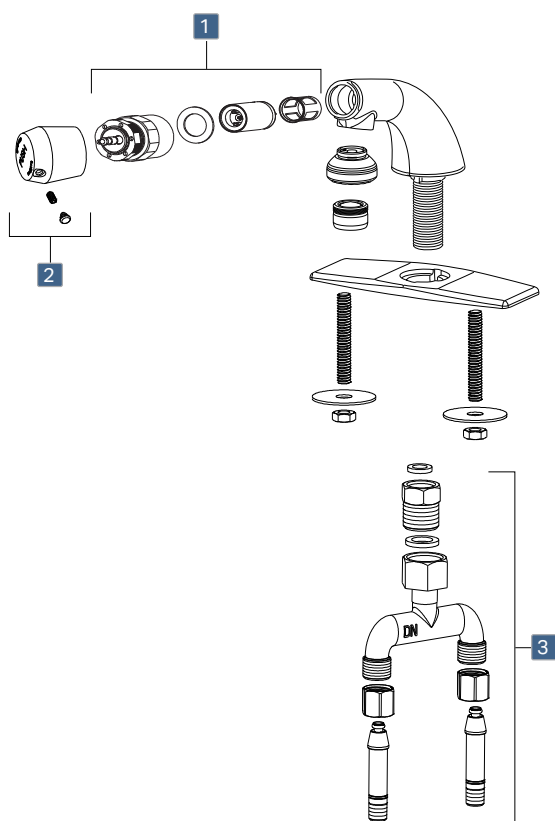


Outlet

Model	Thread	GPM
Aerated Standard		
E12	13/16" - 27 UNS Male	2.2

Deck-mounted metering sink faucet Series: 807, 844, 857

- 1-5/8" high cast brass spout
- Single hole or 4" cover plate
- Flow rates from 0.5, 1.5, or 2.2 GPM



Single Hole, Single Supply

Model	Cartridge	Handle	Outlet
807-665PSHABCP	MVP	665	E15
807-E12-665PAB	MVP	665	E12
807-E12V665PSHAB	MVP	665	E12VP
807-E2805-665PSHAB	MVP	665	E2805

4" Cover Plate, Single Supply

Model	Cartridge	Handle	Outlet
857-665PSHABCP	MVP	665	E15
857-E12-665PSHABCP	MVP	665	E12
857-E12V665PSHAB	MVP	665	E12VP
857-E2805-665PSHAB	MVP	665	E2805

4" Cover Plate, Dual Supply*


Model	Cartridge	Handle	Outlet
844-665PSHABCP	MVP	665	E15
844-E12-665PSHABCP	MVP	665	E12

*Includes connection assembly and inlet check tailpieces to prevent cross-flow.

Cartridge

Model	Description
1 667-080K	MVP cartridge and actuator

Handle

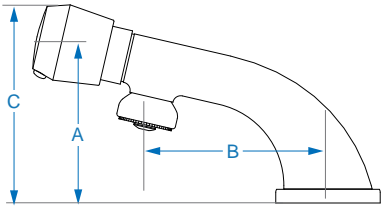
Model	Description	
2 665	1-3/4" MVP metering push handle	

Dual Supply Connection Assembly

Model	Description
3 1-143K	Connection assembly
58-018K	Tailpiece

Spout Dimensions

Model	A	B	C	Outlet
807	3-1/2"	4-1/4"	4-1/8"	Female



Outlets

Model	Thread	GPM
Spray		
E15	13/16" - 27 UNS Male	1.5
Aerated Standard		
E12	13/16" - 27 UNS Male	2.2
Aerated Vandal Resistant		
E12VP	13/16" - 27 UNS Male	2.2
Non-Aerated Spray Vandal Resistant		
E2805	13/16" - 27 UNS Male	0.5

Deck-mounted metering sink faucet Series: 3400

- 2-7/8" high integral cast brass spout
- 4" centers
- 0.5 GPM flow rate




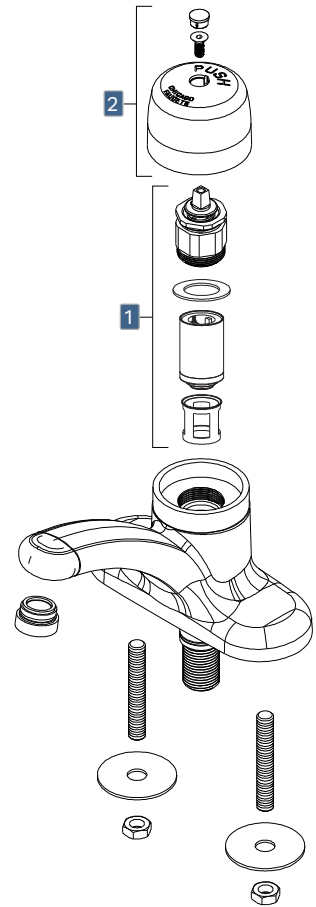
Model	Cartridge	Handle	Outlet
3400-ABCP	MVP	3400	E2805

Cartridge

Model	Description
1 3300-103K	Actuator and cartridge

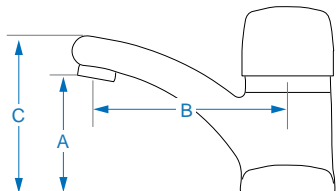
Handle

Model	Description
2 3400	2-1/4" MVP metering push handle 



Spout Dimensions

Model	A	B	C	Outlet
3400	2-7/8"	4-3/4"	3-7/8"	Female



Outlet

Model	Thread	GPM
Non-Aerated Spray Vandal Resistant		
E2805	13/16" - 27 UNS Male	0.5

Deck-mounted metering sink faucet Series: 3500

- 2-3/8" high integral cast brass spout
- Single hole
- 0.5 GPM flow rate



Model	Supply	Cartridge	Handle	Outlet
3500-E2805ABCP	Single	MVP	3500-004	E2805
3501-E2805ABCP*	Dual	MVP	3500-004	E2805
3502-E2805ABCP+	Dual	MVP	3500-004	E2805

*With internal mixer.
+With user-adjustable mixer.

Deck-mounted metering sink faucet Series: 3500

- 2-3/8" high integral cast brass spout
- With 4" cover plate
- 0.5 GPM flow rate



Model	Supply	Cartridge	Handle	Outlet
3500-4E2805ABCP	Single	MVP	3500-004	E2805
3501-4E2805ABCP*	Dual	MVP	3500-004	E2805
3502-4E2805ABCP+	Dual	MVP	3500-004	E2805

*With internal mixer.
+With user-adjustable mixer.

Deck-mounted metering sink faucet Series: 3500

- 2-3/8" high integral cast brass spout
- With 8" cover plate
- 0.5 GPM flow rate



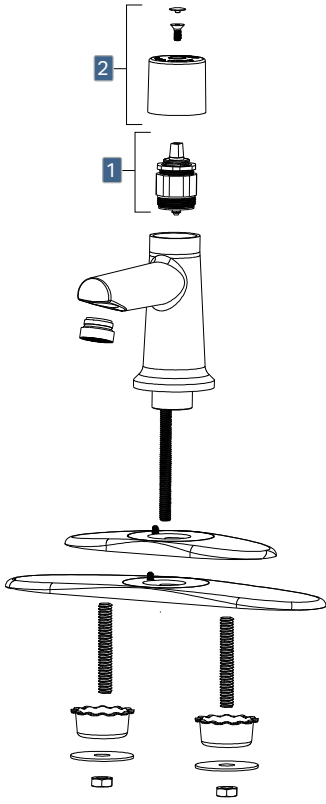
Model	Supply	Cartridge	Handle	Outlet
3500-8E2805ABCP	Single	MVP	3500-004	E2805

Deck-mounted metering sink faucet Series: 3520

- 2-3/8" high integral cast brass spout
- Single hole
- 0.5 GPM flow rate




Model	Supply	Cartridge	Handle	Outlet
3520-E2805ABCP	Single	MVP	3500-004	E2805
3522-E2805ABCP	Dual	MVP	3500-004	E2805



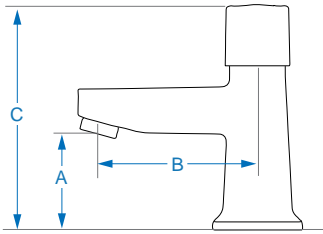
Cartridge

	Model	Description
1	3300-103K	MVP cartridge and actuator

Handle

	Model	Description	
2	3500-004	1-5/8" MVP metering push handle	

Spout Dimensions

	Model	A	B	C	Outlet
	3500	2-3/8"	4"	5-5/8"	Female

Outlet

Model	Thread	GPM
Non-Aerated Spray Vandal Resistant		
E2805	13/16" - 27 UNS Male	0.5

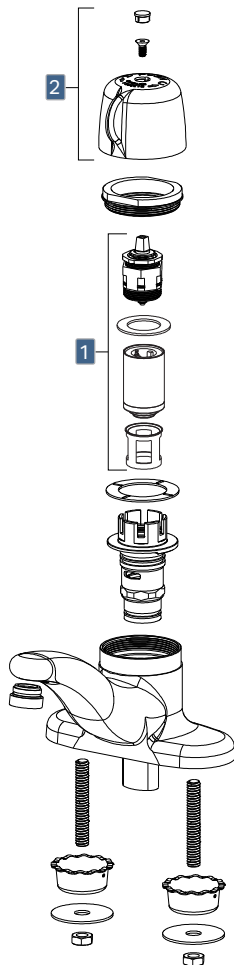
Deck-mounted metering sink faucet

Series: 3600

- 3" high integral cast brass spout
- 4" centers
- Flow rates from 0.35 to 1.5 GPM



Model	Cartridge	Handle	Outlet
3600-E2805AB	Metering	3300-402	E2805
3600-E28AB	Metering	3300-402	E28
3600-E34VPAB	Metering	3300-402	E34VP
3600-E39VPAB	Metering	3300-402	E39VP



Cartridge

	Model	Description
1	3300-412K	Actuator assembly
	671-X	MVP metering cartridge

Handle

	Model	Description	
2	3300-402	2-1/4" MVP metering push handle	

Spout Dimensions

Model	A	B	C	Outlet
3400	3"	5-5/8"	4-1/8"	Female

Outlets

Model	Thread	GPM
Aerated Vandal Resistant		
E34VP	13/16" - 27 UNS Male	1.5
Non-Aerated Spray Vandal Resistant		
E39VP	13/16" - 27 UNS Male	0.35
E2805	13/16" - 27 UNS Male	0.5
Spray Vandal Resistant		
E28	13/16" - 27 UNS Male	1.0

Deck-Mounted Two-Handle Metering Sink Faucets



Deck-mounted manual sink faucet

Series: 404

- 3" high cast brass spout
- 8" fixed centers
- Fully adjustable 6" - 26" centers available
- Single supply models available
- Flow rates from 0.5 to 2.2 GPM



Model	Cartridge	Handle	Outlet
404-665ABCP	MVP	665	E12
404-V665ABCP	MVP	665	E12VP
404-VE2805-665ABCP	MVP	665	E2805
404-HZ665ABCP*	MVP	665	E12

*6" - 26" adjustable centers.

Deck-mounted manual sink faucet

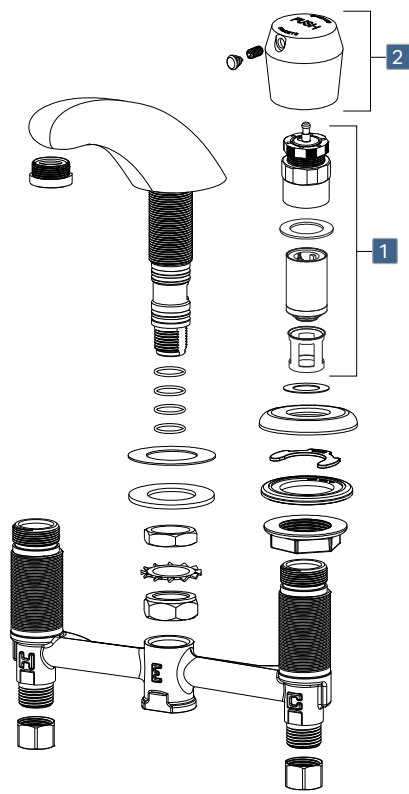
Series: 405

- 5-5/8" high cast brass spout
- 8" fixed centers
- Fully adjustable 6" - 26" centers available
- Single supply models available
- Flow rates from 0.5 to 2.2 GPM



Model	Cartridge	Handle	Outlet
405-665AB	MVP	665	E12
405-V665AB	MVP	665	E12VP
405-VE2805-665AB	MVP	665	E2805
405-H665AB*	MVP	665	E12


*6" - 26" adjustable centers.



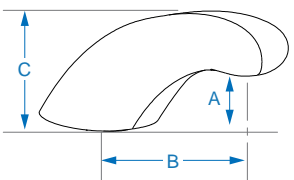
Cartridge

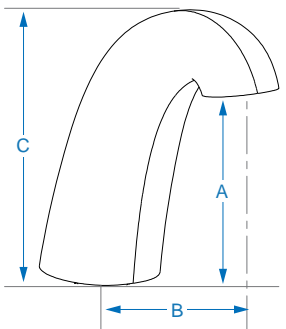
Model	Description
1	Metering
	667-080K MVP cartridge and actuator

Handles

Model	Description	
2	665 1-3/4" MVP metering push handle	

Spout Dimensions

	Model	A	B	C	Outlet
	404	1-3/4"	5"	2-7/8"	Female

	Model	A	B	C	Outlet
	405	4-1/8"	5"	4-5/8"	Female

Outlets

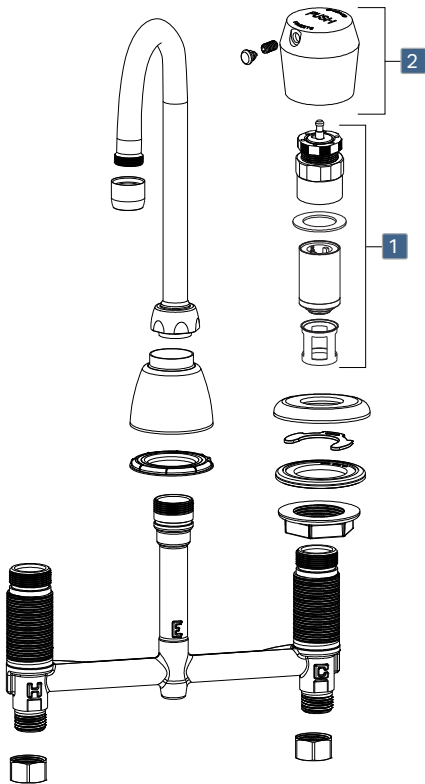
Model	Thread	GPM
Aerated Vandal Resistant		
E12VP	13/16" - 27 UNS Male	2.2
Aerated Standard		
E12	13/16" - 27 UNS Male	2.2
Non-Aerated Spray Vandal Resistant		
E2805	13/16" - 27 UNS Male	0.5

Deck-mounted manual sink faucet Series: 786

- 8" centers
- 1/2" NPSM supply inlets and coupling nut for 3/8" or 1/2" flexible riser
- MVP™ metering cartridges
- Polished chrome finish
- 2.2 GPM flow rate




Model	Cartridge	Handle	Outlet	Spout
786-E3-665ABCP	MVP	665	E3	GN2A
786-G1AE3-665AB	MVP	665	E3	GN1A



Cartridge

Model	Description
1	Metering
	667-080K MVP cartridge and actuator

Handles

Model	Description
2	665 1-3/4" MVP metering push handle 

Spout Dimensions

Model	A	B	C	Outlet
Gooseneck Rigid/Swing				
GN1A	5-7/8"	3-1/2"	8-3/8"	Male
GN2A	6-1/8"	5-1/4"	9-3/4"	Male

Outlet

Model	Thread	GPM
Aerated Standard		
E3	13/16" - 24 UNS Female	2.2

Deck-mounted manual sink faucet

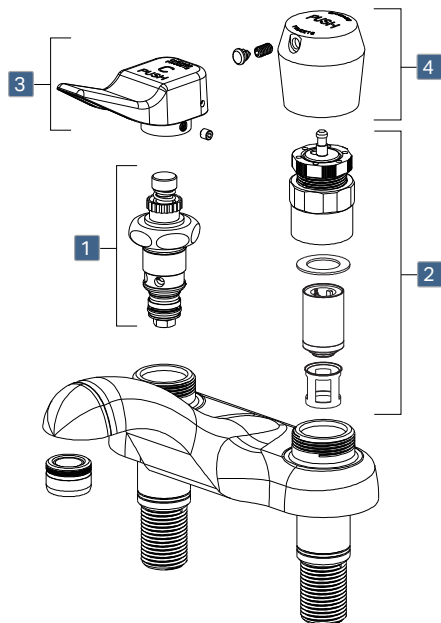
Series: 802

- 4" centers
- 1/2" NPSM supply inlets and coupling nut for 3/8" or 1/2" flexible riser
- MVP™ or NAIAD metering cartridges
- Polished chrome finish
- Flow rates of 0.5 or 2.2 GPM



Model	Cartridge	Handle	Outlet
802-665ABCP	MVP	665	E12
802-V665ABCP	MVP	665	E12VP
802-VE2805-665ABCP	MVP	665	E2805
802-336ABCP	NAIAD	336	E12

Deck-Mounted / 2-Handle
Metering/Self-Closing



Cartridges

Model	Description
1	NAIAD
	335-X Adjustable metering cartridge
2	MVP
	667-080K MVP cartridge and actuator

Handles

Model	Description	
3	2-13/16" push-tilt handle	
4	1-3/4" MVP metering push handle	

Spout Dimensions

Model	A	B	C	Outlet
802	1-5/8"	4"	2-3/4"	Female

Outlets

Model	Thread	GPM
Aerated Standard		
E12	13/16" - 27 UNS Male	2.2
Aerated Vandal Resistant		
E12VP	13/16" - 27 UNS Male	2.2
Non-Aerated Spray Vandal Resistant		
E2805	13/16" - 27 UNS Male	0.5

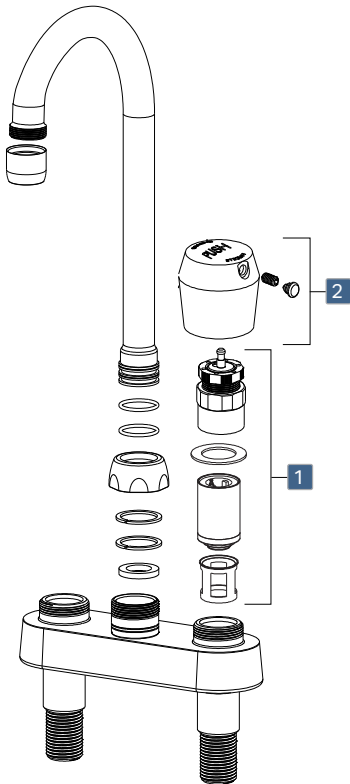
CHICAGO FAUCETS
Geberit Group

Deck-mounted manual sink faucet Series: 895

- 1/2" NPSM supply inlets and coupling nut for 3/8" or 1/2" flexible riser
- MVP™ metering cartridge
- Polished chrome finish
- 2.2 GPM flow rate




Model	Cartridge	Handle	Outlet	Spout
895-665ABCP	MVP	665	E3	GN1A



Cartridge

Model	Description
1	Metering
	667-080K MVP cartridge and actuator

Handles

Model	Description
2	1-3/4" MVP metering push handle 

Spout Dimensions

Model	A	B	C	Outlet
Gooseneck Rigid/Swing				
GN1A	5-7/8"	3-1/2"	8-3/8"	Male

Outlet

Model	Thread	GPM
Aerated Standard		
E3	13/16" - 24 UNS Female	2.2

**CHICAGO
FAUCETS**
Geberit Group

Deck-Mounted Single-Handle Manual Sink Faucets





Deck-mounted manual sink faucet

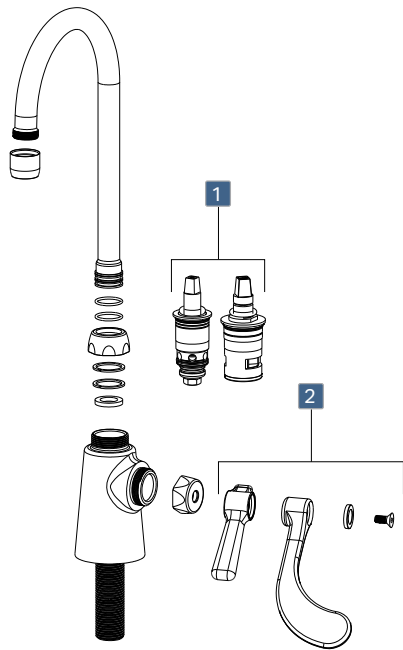
Series: 349, 350

- Single hole
- Vandal-resistant lever or wristblade handles standard, other options available
- Ceramic or Quatern™ compression cartridges
- Polished chrome finish
- Flow rates from 1.5 GPM to full flow



Model	Cartridge	Handle	Outlet	Spout
349-ABCP	Quatern	369	E3	S6
349-E1ABCP	Quatern	369	E1	S6
349-L12ABCP	Quatern	369	E3	L12
349-L8ABCP	Quatern	369	E3	L8
349-L9ABCP	Quatern	369	E3	L9
349-LESAB	Quatern	369	-	-
349-LESHAB	Quatern	-	-	-
349-LESHXKAB	Ceramic	-	-	-
349-LESXKAB	Ceramic	369	-	-
349-XKABCP	Ceramic	369	E3	S6
350-317VPAXKABCP	Ceramic	317	E3VP	GN2A
350-317XKABCP	Ceramic	317	E3	GN2A
350-ABCP	Quatern	369	E3	GN2A
350-DB6AE35ABCP	Quatern	369	E35	DB6A
350-DB6AE3ABCP	Quatern	369	E3	DB6A
350-E1ABCP	Quatern	369	E1	GN2A
350-E35-317XKABCP	Ceramic	317	E35	GN2A



Model	Cartridge	Handle	Outlet	Spout
350-E35ABCP	Quatern	369	E35	GN2A
350-E35VP317XKABCP	Ceramic	317	E35VP	GN2A
350-E35VPABCP	Quatern	369	E35VP	GN2A
350-G8AE29-317XKAB	Ceramic	317	E29	GN8A
350-GN2FCABCP	Quatern	369	-	GN2FC
350-GN8AE3-317XKAB	Ceramic	317	E3	GN8A
350-GN8AE35ABCP	Quatern	369	E35	GN8A
350-GN8AE3ABCP	Quatern	369	E3	GN8A
350-LHABCP	Quatern	369	E3	GN2A
350-LHE35ABCP	Quatern	369	E35	GN2A
350-VPAABCP	Quatern	369	E3VP	GN2A
350-VPAXKABCP	Ceramic	369	E3VP	GN2A
350-XKABCP	Ceramic	369	E3	GN2A



Cartridges

Model	Description
1	Quaturn™ Compression
	1-099XT Short stem, right
	1-100XT Short stem, left
	Ceramic
1-099XK Short stem, right	
1-100XK Short stem, left	

Handles

Model	Description	
2	4" wristblade Vandal proof	
	2-3/8" lever Vandal proof	

Spouts

Model	A	B	C	Outlet
Gooseneck Rigid/Swing				
GN2A	6-1/8"	5-1/4"	9-3/4"	Male
GN8A	6"	8"	11-1/4"	Male
Gooseneck 1.5 GPM Laminar Insert				
GN2FC	6-1/8"	5-1/4"	9-3/4"	Plain

Model	A	B	C	Outlet
Double-Bend Rigid/Swing				
DB6A	3-1/8"	6-1/4"	6-3/8"	Male

Model	A	B	C	Outlet
L-Type Rigid/Swing				
L8	2-7/8"	8"	4-3/8"	Male
L9	3-3/4"	9-1/2"	6-1/2"	Male
L12	2-3/8"	12"	4-5/8"	Male

Model	A	B	C	Outlet
S-Type Swing				
S6	1-3/8"	6"	1-5/8"	Male

Outlets

Model	Thread	GPM
Aerated Vandal Resistant		
E3VP	13/16" - 24 UNS Female	2.2
Aerated Standard		
E35	13/16" - 24 UNS Female	1.5
E3	13/16" - 24 UNS Female	2.2
Non-Aerated Full Flow		
E1	13/16" - 24 UNS Female	Full
Laminar Standard		
E29	13/16" - 24 UNS Female	2.2

Deck-mounted manual sink faucet

Series: 410

- 2-3/4" high cast brass spout
- Single hole
- 4" and 8" accessory plates available
- Flow rates from 0.35 to 1.5 GPM

ECAST



Model	Cartridge	Outlet
410-E39VPABCP	Ceramic	E39
410-E2805ABCP	Ceramic	E2805
410-E64VPABCP	Ceramic	E64VP
410-E64VPPOABCP*	Ceramic	E64VP
410-E37VPABCP	Ceramic	E37VP
410-E37VPPOABCP*	Ceramic	E37VP

*With pop-up drain assembly.

Deck-mounted manual sink faucet

Series: 410-T

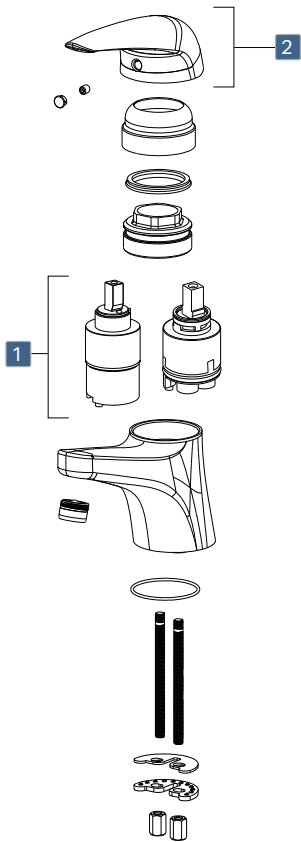
- Thermostatic ceramic cartridge with built-in check valve and scald protection
- 2-3/4" high cast brass spout
- Single hole
- 4" and 8" accessory plates available
- Flow rates from 0.35 to 1.5 GPM

ECAST TempShield®



Model	Cartridge	Outlet
410-T41E39VPABCP	Thermostatic Ceramic*	E39
410-T41E2805ABCP	Thermostatic Ceramic*	E2805
410-T41E64VPABCP	Thermostatic Ceramic*	E64VP
410-T41E37VPABCP	Thermostatic Ceramic*	E37VP


*106°F maximum temperature.



Cartridges

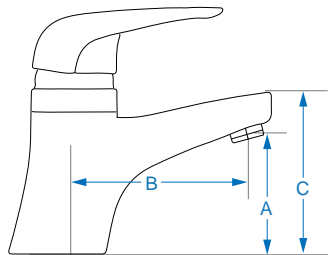
Model	Description
Ceramic	
1 410-X	With volume control and hot water limit stop
420-X41	Thermostatic ceramic cartridge with built-in check valve and scald protection

Handle

Model	Description	
2 420-030K	4-1/4" lever handle	

Spout Dimensions

Model	A	B	C	Outlet
410	2-3/4"	4-1/2"	3-7/8"	Female



Outlets

Model	Thread	GPM
Non-Aerated Spray		
E39	13/16" - 27 UNS Male	0.35
Non-Aerated Spray Vandal Resistant		
E2805	13/16" - 27 UNS Male	0.5
Laminar Vandal Resistant		
E37VP	13/16" - 27 UNS Male	1.5
E64VP	13/16" - 27 UNS Male	1.0

Deck-mounted manual sink faucet

Series: 420

- 2-3/4" high cast brass spout
- 4" centers
- Flow rates from 0.35 to 1.5 GPM



ECAST



Model	Cartridge	Outlet
420-ABCP	Ceramic	E37
420-E2805ABCP	Ceramic	E2805
420-E2805MPABCP	Ceramic	E2805
420-E39ABCP	Ceramic	E39
420-POABCP*	Ceramic	E37
420-E74ABCP	Ceramic	E74
420-MPABCP+	Ceramic	E37
420-POMPABCP*+	Ceramic	E37

*With pop-up drain assembly.

+ Master pack with 6 units.

Deck-mounted manual sink faucet

Series: 420-T

- Thermostatic ceramic cartridge with built-in check valve and scald protection
- 2-3/4" high cast brass spout
- 4" centers
- Flow rates from 0.35 to 1.5 GPM

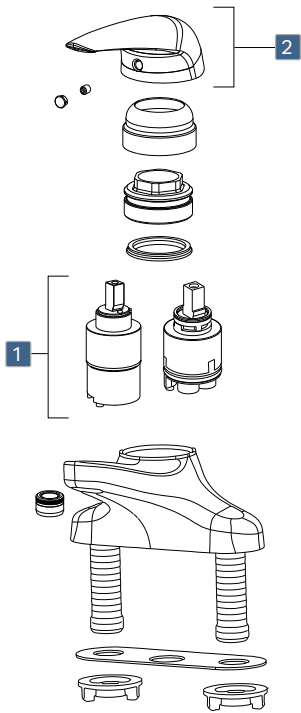


ECAST

TempShield®




Model	Cartridge	Outlet
420-T41ABCP	Thermostatic Ceramic	E37
420-T41E2805ABCP	Thermostatic Ceramic	E2805
420-T41E39VPABCP	Thermostatic Ceramic	E39VP
420-T41E74ABCP	Thermostatic Ceramic	E74



Cartridges

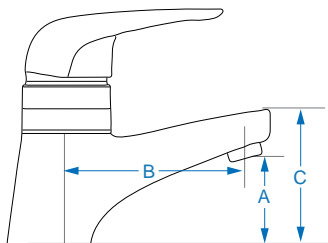
Model	Description
Ceramic	
1	410-X With volume control and hot water limit stop
	420-X41 Thermostatic ceramic cartridge with built-in check valve and scald protection

Handle

Model	Description	
2	420-030K 4-1/4" lever handle	

Spout Dimensions

Model	A	B	C	Outlet
420	2"	4-5/8"	3-1/4"	Female



Outlets

Model	Thread	GPM
Non-Aerated Spray		
E39	13/16" - 27 UNS Male	0.35
Non-Aerated Spray Vandal Resistant		
E39VP	13/16" - 27 UNS Male	0.35
E2805	13/16" - 27 UNS Male	0.5
Laminar		
E37	13/16" - 27 UNS Male	1.5
E74	13/16" - 27 UNS Male	1.0



Deck-mounted manual sink faucet
Series: 430, 431, 432

- 8" center-to-center tubular brass spout
- Single hole or 8" cover plate
- 1.5 GPM flow rate
- Available with side spray



Single Hole

Model	Cartridge	Outlet
430-ABCP	Ceramic	E37
430-MPABCP ⁺	Ceramic	E37

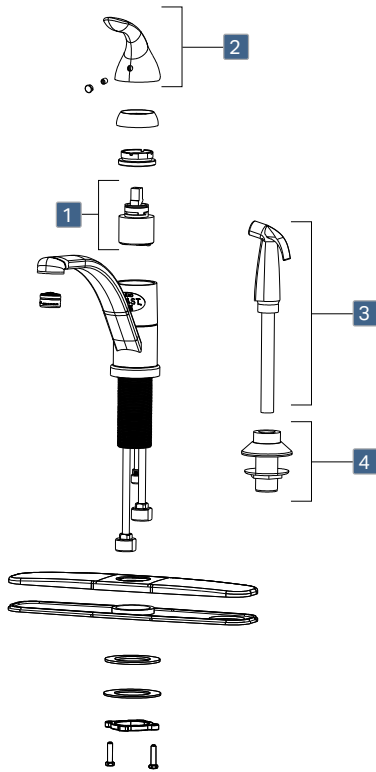
8" Cover Plate

Model	Cartridge	Outlet
431-ABCP	Ceramic	E37
431-MPABCP ⁺	Ceramic	E37

8" Cover Plate, Side Spray

Model	Cartridge	Outlet
432-ABCP	Ceramic	E37
432-MPABCP ⁺	Ceramic	E37


⁺ Master pack with 6 units.



Cartridge

Model	Description
1	Ceramic
	430-X With volume control and hot water limit stop

Handle

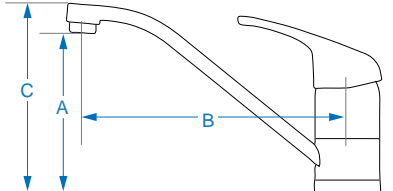
Model	Description	
2	430-001K	Lever handle 

Spray

Model	Description
3	1103-419K Spray and hose assembly
4	1103-014K Flange assembly

Spout Dimensions

Model	A	B	C	Outlet
430	4-3/4"	8"	5-3/4"	Female



Outlets

Model	Thread	GPM
Laminar		
E37	13/16" - 27 UNS Male	1.5

Deck-mounted manual sink faucet

Series: 434

- Kitchen faucet with pull-down spout
- Single hole with 8" cover plate available
- Dual-pattern 1.5 GPM pull-down outlet
- User adjustable temperature control mixer



Model	Cartridge	Finish	GPM
434-ABCP	Ceramic	Polished chrome	1.5
434-ABBN	Ceramic	Brushed nickel	1.5
434-ABMB	Ceramic	Matte black	1.5

Cartridge

Model	Description
1	Ceramic
	430-XJKABNF With volume control and hot water limit stop

Handle

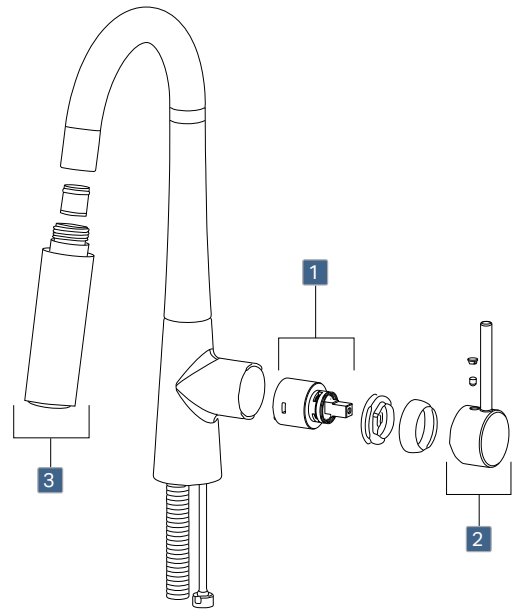
Model	Finish
2	434-002KJKCP Polished chrome
	434-002KJKBN Brushed nickel
	434-002KJKMB Matte black

Outlet

Model	Finish
3	434-001KJKABCP Polished chrome
	434-001KJKABBN Brushed nickel
	434-001KJKABMB Matte black

8" Cover Plates

Model	Finish
2	434-008KJKCP Polished chrome
	434-008KJKBN Brushed nickel
	434-008KJKMB Matte black



Spout Dimensions

Model	A	B	C	Outlet
434	8-3/4"	8-1/4"	17"	Pull Down

Deck-mounted manual sink faucet

Series: 436

- Contemporary kitchen faucet
- Single hole with 8" cover plate available
- User adjustable temperature control mixer



Model	Cartridge	Finish	GPM
436-ABCP	Ceramic	Polished chrome	1.5
436-ABBN	Ceramic	Brushed nickel	1.5
436-ABMB	Ceramic	Matte black	1.5

Cartridge

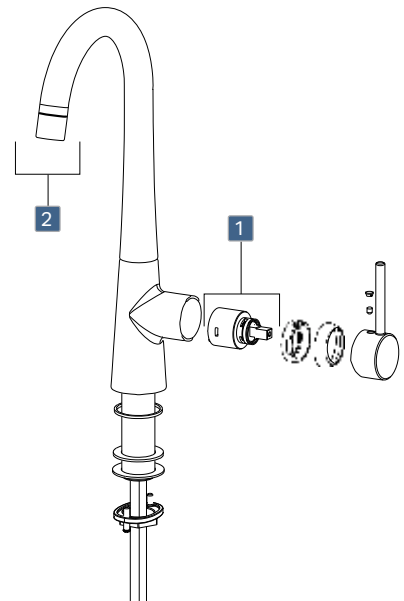
Model	Description
1	Ceramic
	430-XJKABNF With volume control and hot water limit stop

Outlet

Model
3 436-001KJKABCP

8" Cover Plates

Model	Finish
434-008KJKCP	Polished chrome
2 434-008KJKBN	Brushed nickel
434-008KJKMB	Matte black



Spout Dimensions

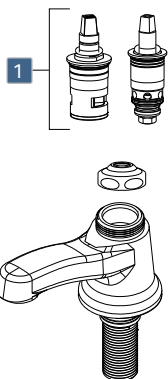
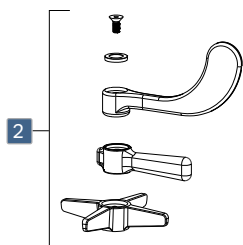
Model	A	B	C	GPM
436	8-3/4"	5-5/8"	13-1/8"	1.5

Deck-mounted manual sink faucet Series: 700, 730

- 2-5/8" high integral cast brass spout
- Single hole
- 2.2 GPM flow rate



Model	Cartridge	Handle	Outlet
700-317COLDABCP	Quaturn	317-COLD	E12
700-317HOTABCP	Quaturn	317-HOT	E12
700-COLDABCP	Quaturn	633-COLD	E12
700-COLDXKABCP	Ceramic	633-COLD	E12
730-COLDABCP	Quaturn	369-COLD	E12
730-COLDXKABCP	Ceramic	369-COLD	E12
730-HOTABCP	Quaturn	369-HOT	E12
730-HOTXKABCP	Ceramic	369-HOT	E12



Cartridges

Model	Description
Quaturn™ Compression	
1-099XT	Short stem, cold
1-100XT	Short stem, hot
Ceramic	
1-099XK	Short stem, cold
1-100XK	Short stem, hot

Handles

Model	Description	
317	4" wristblade Vandal proof	
369	2-3/8" lever Vandal proof	
633	3" cross	

Spout Dimensions

Model	A	B	C	Outlet
700	1-1/2"	3-1/2"	2-5/8"	Female

Outlet

Model	Thread	GPM
Aerated Standard		
E12	13/16" - 27 UNS Male	2.2

Deck-mounted manual sink faucet

Series: 2200

- 2-3/4" high cast brass spout
- Single hole or 4" cover plate
- Choice of 0.5 or 2.2 GPM flow rates



Single Hole

Model	Cartridge	Handle	Outlet
2200-ABCP	Ceramic	2200-225K	E12
2200-E2805ABCP	Ceramic	2200-225K	E2805

4" Cover Plate


Model	Cartridge	Handle	Outlet
2200-4ABCP	Ceramic	2200-225K	E12
2200-4E2805ABCP	Ceramic	2200-225K	E2805
2201-4ABCP*	Ceramic	2200-225K	E12

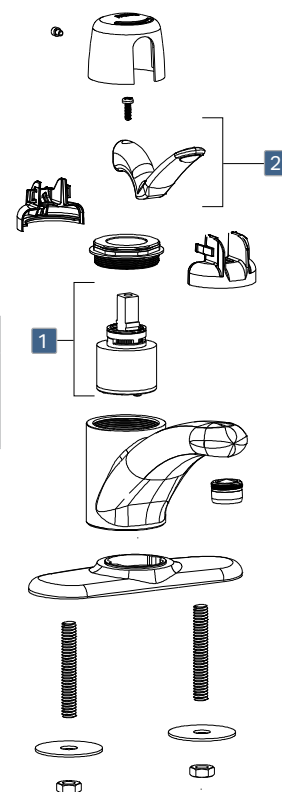
*With pop-up drain assembly.

Cartridge

Model	Description
1	Ceramic
	2300-X With volume control and hot water limit stop

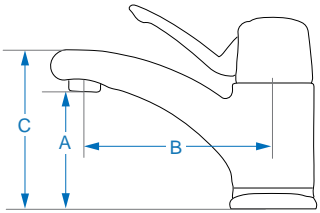
Handle

Model	Description
2 2200-225K	2-3/4" lever handle 



Spout Dimensions

Model	A	B	C	Outlet
2200-4	3"	4-3/4"	6-3/8"	Female



Outlets

Model	Thread	GPM
Aerated Standard		
E12	13/16" - 27 UNS Male	2.2
Non-Aerated Spray Vandal Resistant		
E2805	13/16" - 27 UNS Male	0.5

Deck-mounted manual sink faucet

Series: 2300

- 10" center-to-center cast brass spout
- Single hole or with 8" cover plate
- 2.2 GPM flow rate



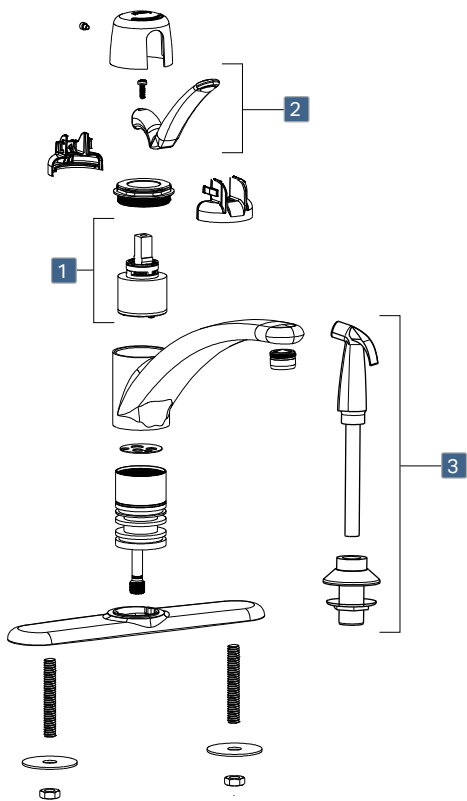
Single Hole

Model	Cartridge	Handle	Outlet
2300-ABCP	Ceramic	2300-225K	E12

8" Cover Plate

Model	Cartridge	Handle	Outlet
2300-8ABCP	Ceramic	2300-225K	E12
2301-8ABCP*	Ceramic	2300-225K	E12


*With side spray.



Cartridge

Model	Description
Ceramic	
1 2300-X	With volume control and hot water limit stop

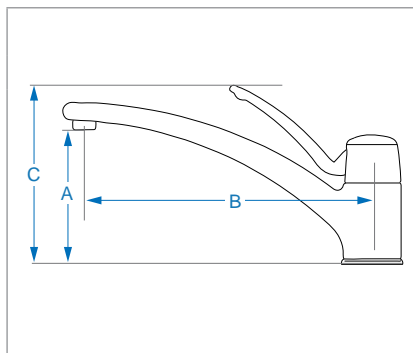
Handle

Model	Description
2 2300-225K	4-5/8" lever handle 

Side Spray

Model	Description
3 1103-419K	Spray hose, flange

Spout Dimensions



Model	A	B	C	Outlet
2300	4-5/8"	10"	8"	Female

Outlet

Model	Thread	GPM
Aerated Standard		
E12	13/16" - 27 UNS Male	2.2

Deck-mounted manual sink faucet

Series: 2302

- 5-3/8" high rigid/swing gooseneck spout
- Single hole with side valve
- 2.2 GPM flow rate




Model	Cartridge	Outlet
2302-ABCP	Ceramic	E3

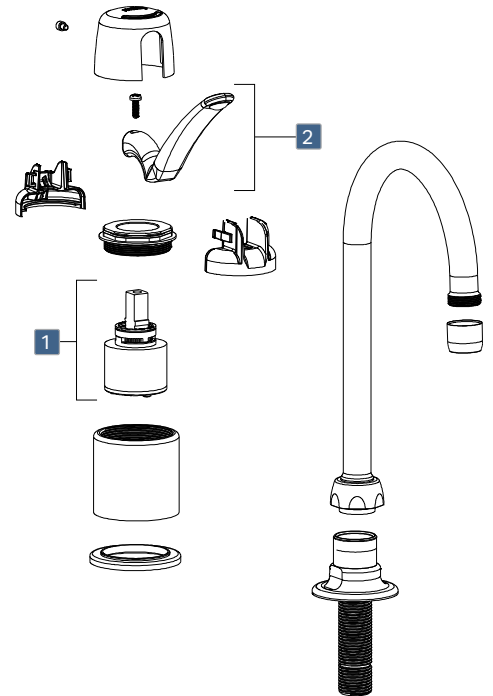
Deck-Mounted / 1-Handle
Manual Sink Faucet

Cartridge

Model	Description
Ceramic	
1 2300-X	With volume control and hot water limit stop

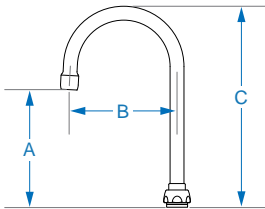
Handle

Model	Description
2 2300-225K	4-5/8" lever handle 



Spout Dimensions

Model	A	B	C	Outlet
Gooseneck Rigid/Swing				
GN2A	6-5/8"	5-3/8"	10-3/4"	Male



Outlet

Model	Thread	GPM
Aerated Standard		
E3	13/16" - 27 UNS Female	2.2

CHICAGO FAUCETS
Geberit Group

Deck-mounted manual sink faucet Series: 3512

- 4" center-to-center integral cast brass spout
- Single hole or with 4" cover plate
- Choice of 0.35 or 0.5 GPM flow rates

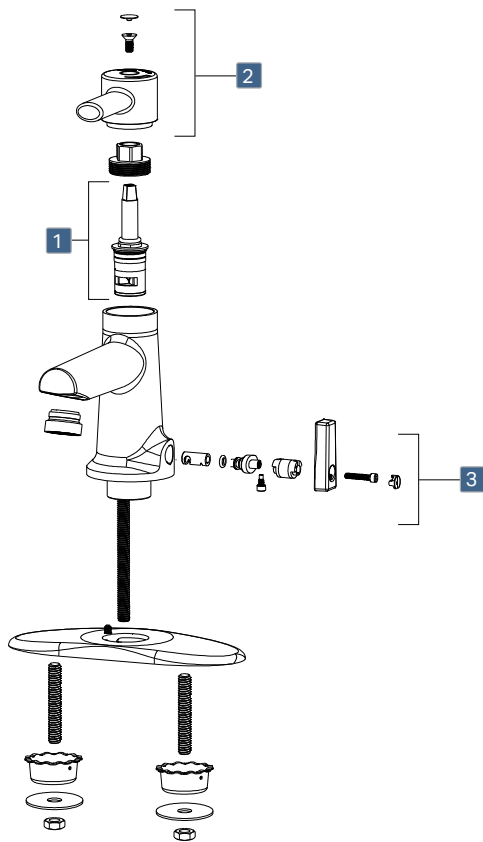
BUY AMERICAN ACT COMPLIANT

ECAST



Model	Cartridge	Outlet
3512-E39VPAB	Ceramic	E39VP
3512-E2805AB	Ceramic	E2805
3512-4E39VPAB*	Ceramic	E39VP
3512-4E2805AB*	Ceramic	E2805

*With 4" cover plate.



Cartridge

Model	Description
1	Ceramic
	377-XKLH Long stem, left

Handle

Model	Description
2 3500-015	Lever handle

Mixing Lever

Model	Description
3 3500-003K	Mixing handle

Spout Dimensions

Model	A	B	C	Outlet
3512	2-3/4"	4"	6"	Female

Outlets

Model	Thread	GPM
Non-Aerated Spray Vandal Resistant		
E39VP	13/16" - 27 UNS Male	0.35
Non-Aerated Spray Vandal Resistant		
E2805	13/16" - 27 UNS Male	0.5

Deck-Mounted Two-Handle Manual Sink Faucets





Deck-mounted manual sink faucet

Series: 50, 51

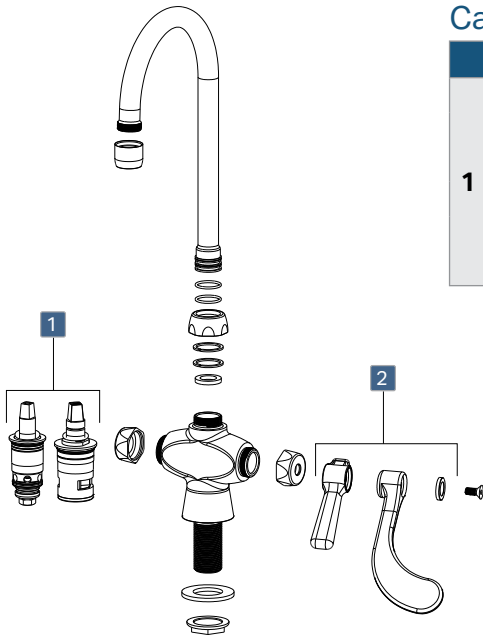
- Single hole
- Vandal-resistant lever or wristblade handles standard, other options available
- Ceramic or Quaturn™ compression cartridges
- 3/8" compression flexible stainless steel supply hoses or 3-1/2" tee connection
- Polished chrome finish



Model	Cartridge	Handle	Outlet	Spout
50-317XKABCP	Ceramic	317	E3	GN2A
50-T317XKABCP*	Ceramic	317	E3	GN2A
50-E35-317XKABCP	Ceramic	317	E35	GN2A
50-GN2FC317XKABCP	Ceramic	317	-	GN2FC
50-GN8AE3-317XKAB	Ceramic	317	E3	GN8A
50-L9-317XKABCP	Ceramic	317	E3	L9
50-LES317XKAB	Ceramic	317	-	-
50-GN1AE3ABCP	Quaturn	369	E3	GN1A
50-E1ABCP	Quaturn	369	E1	GN2A
50-E2805-5ABCP	Quaturn	369	E2805-5	GN2A
50-ABCP	Quaturn	369	E3	GN2A
50-TABCP*	Quaturn	369	E3	GN2A
50-TXKABCP*	Ceramic	369	E3	GN2A
50-XKABCP	Ceramic	369	E3	GN2A
50-E35ABCP	Quaturn	369	E35	GN2A
50-TE35ABCP*	Quaturn	369	E35	GN2A
50-E35VPABCP	Quaturn	369	E35VP	GN2A

Model	Cartridge	Handle	Outlet	Spout
50-VPAABCP	Quaturn	369	E3VP	GN2A
50-GN2FCABCP	Quaturn	369		GN2FC
50-GN8AE3ABCP	Quaturn	369	E3	GN8A
50-TGN8AE3ABCP*	Quaturn	369	E3	GN8A
50-GN8AE35ABCP	Quaturn	369	E35	GN8A
50-HA8ABCP	Quaturn	369	E3	HA8A
50-LESAB	Quaturn	369	-	-
50-LESXKAB	Ceramic	369	-	-
50-TLESAB*	Quaturn	369	-	-
50-LESHAB	Quaturn	-	-	-
50-LESHXKAB	Ceramic	-	-	-
51-L8ABCP	Quaturn	369	E3	L8
51-ABCP	Quaturn	369	E3	S6
51-TABCP*	Quaturn	369	E3	S6
51-XKABCP	Ceramic	369	E3	S6
51-E35ABCP	Quaturn	369	E35	S6

*Includes 3-1/2" inlet connection tee



Cartridges

Model	Description
1	Quaturn™ Compression
	1-099XT Short stem, right
	1-100XT Short stem, left
	Ceramic
1-099XK Short stem, right	
1-100XK Short stem, left	

Handles

Model	Description	
2	317 4" wristblade Vandal proof	
	369 2-3/8" lever Vandal proof	

Spouts

Model	A	B	C	Outlet
Gooseneck Rigid/Swing				
GN1A	5-7/8"	3-1/2"	8-3/8"	Male
GN2A	6-1/8"	5-1/4"	9-3/4"	Male
GN8A	6"	8"	11-1/4"	Male
Gooseneck 1.5 GPM Laminar Insert				
GN2FC	6-1/8"	5-1/4"	9-3/4"	Plain

Model	A	B	C	Outlet
High Arch Rigid/Swing				
HA8A	8-3/8"	8"	10"	Male

Model	A	B	C	Outlet
S-Type Swing				
S6	1-3/8"	6"	1-5/8"	Male

Model	A	B	C	Outlet
L-Type Rigid/Swing				
L9	3-3/4"	9-1/2"	6-1/2"	Male

Outlets

Model	Thread	GPM
Aerated Vandal Resistant		
E35VP	13/16" - 24 UNS Female	1.5
E3VP	13/16" - 24 UNS Female	2.2
Aerated Standard		
E35	13/16" - 24 UNS Female	1.5
E3	13/16" - 24 UNS Female	2.2
Non-Aerated Spray Vandal Resistant		
E2805-5	13/16" - 24 UNS Female	0.5



Deck-mounted manual sink faucet

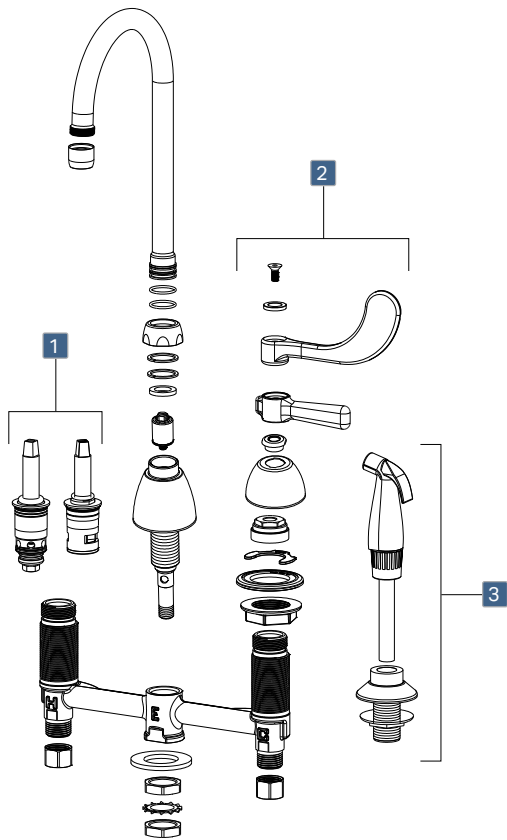
Series: 200

- 8" centers
- Includes side spray
- Vandal-resistant lever or wristblade handles standard, other options available
- Ceramic or Quatern™ compression cartridges
- Polished chrome finish



Model	Cartridge	Handle	Outlet	Spout
200-AGN2AE3-317AB	Quatern	317	E3	GN2A
200-AGN8AE3-317AB	Quatern	317	E3	GN8A
200-GN8AE3-317XKAB	Ceramic	317	E3	GN8A
200-AGN8AE35-317AB	Quatern	317	E35	GN8A
200-G8AE35-317XKAB	Ceramic	317	E35	GN8A
200-AHA8-317ABCP	Quatern	317	E3	HA8A
200-AL8-317ABCP	Quatern	317	E3	L8
200-AL8E35-317ABCP	Quatern	317	E35	L8
200-A317ABCP	Quatern	317	E3	L9
200-A317XKABCP	Ceramic	317	E3	L9

Model	Cartridge	Handle	Outlet	Spout
200-AE35-317ABCP	Quatern	317	E35	L9
200-AGN8AE3ABCP	Quatern	369	E3	GN8A
200-AGN8AE3VPCABCP	Quatern	369	E3VP	GN8A
200-AHA8ABCP	Quatern	369	E3	HA8A
200-AL8ABCP	Quatern	369	E3	L8
200-AABCP	Quatern	369	E3	L9
200-AXKABCP	Ceramic	369	E3	L9
200-AE35ABCP	Quatern	369	E35	L9
200-ALESHAB	Quatern	-	-	-
200-ALESHXKAB	Quatern	-	-	-



Cartridges

Model	Description
Quaturn™ Compression	
377-XTRH	Long stem, right
377-XTLH	Long stem, left
Ceramic	
377-XKRH	Long stem, right
377-XKLH	Long stem, left

Side Spray

Model	Description
3 1103-419K	Spray hose, flange

Handles

Model	Description	
2 317	4" wristblade Vandal proof	
369	2-3/8" lever Vandal proof	

Spouts

Model	A	B	C	Outlet
Gooseneck Rigid/Swing				
GN2A	6-1/8"	5-1/4"	9-3/4"	Male
GN8A	6"	8"	11-1/4"	Male
Gooseneck 1.5 GPM Laminar Insert				
GN2FC	6-1/8"	5-1/4"	9-3/4"	Plain

Model	A	B	C	Outlet
L-Type Rigid/Swing				
L8	2-7/8"	8"	4-3/8"	Male
L9	3-3/4"	9-1/2"	6-1/2"	Male

Model	A	B	C	Outlet
High Arch Rigid/Swing				
HA8A	8-3/8"	8"	10"	Male

Outlets

Model	Thread	GPM
Aerated Vandal Resistant		
E3VP	13/16" - 24 UNS Female	2.2
Aerated Standard		
E35	13/16" - 24 UNS Female	1.5
E3	13/16" - 24 UNS Female	2.2



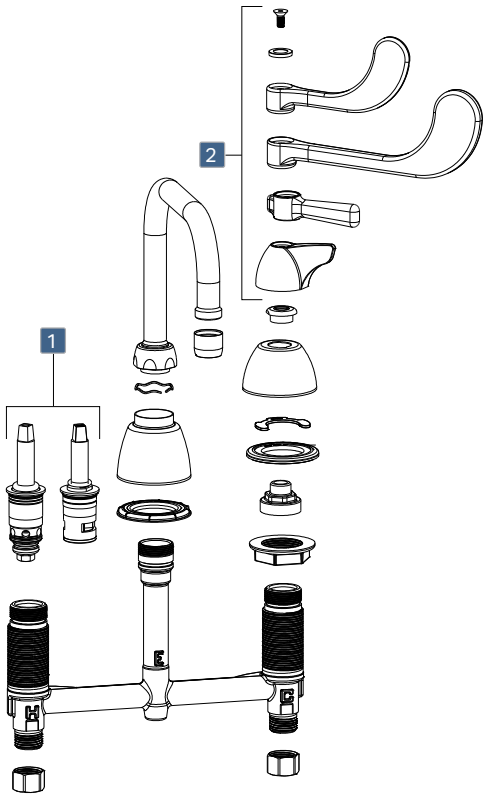
Deck-mounted manual sink faucet Series: 201

- 1/2" NPSM supply inlets and coupling nut for 3/8" or 1/2" flexible riser
- Vandal-resistant lever, wristblade or single wing canopy handles standard, other options available
- Ceramic or Quatum™ compression cartridges
- Polished chrome finish



Model	Cartridge	Handle	Outlet	Spout
201-ADB6AE3-317AB	Quatum	317	E3	DB6A
201-AGN2AE3-317AB	Quatum	317	E3	GN2A
201-GN2AE3-317XKAB	Ceramic	317	E3	GN2A
201-G8AE2805F317AB	Quatum	317	E2805-5	GN8A
201-AGN8AE35-317AB	Quatum	317	E35	GN8A
201-AGN8AE35V317AB	Quatum	317	E35VP	GN8A
201-AGN8AFC317ABCP	Quatum	317	-	GN8AFC
201-AHA8-317ABCP	Quatum	317	E3	HA8A
201-AL8E29V317XKAB	Ceramic	317	E29VP	L8
201-AL8-317ABCP	Quatum	317	E3	L8
201-AL8-317XKABCP	Ceramic	317	E3	L8
201-A317ABCP	Quatum	317	E3	L9
201-A317XKABCP	Ceramic	317	E3	L9
201-AE35-317ABCP	Quatum	317	E35	L9
201-AGN8AE35-319AB	Quatum	319	E35	GN8A
201-AGN8AFC319ABCP	Quatum	319	-	GN8AFC
201-AGN8AE2805FAB	Quatum	369	E2805-5	GN8A
201-AGN8AE3XKABCP	Ceramic	369	E3	GN8A
201-AGN8AE35ABCP	Quatum	369	E35	GN8A
201-AGN8AE35VPABCP	Quatum	369	E35VP	GN8A
201-AHA8ABCP	Quatum	369	E3	HA8A
201-AHA8XKABCP	Ceramic	369	E3	HA8A

Model	Cartridge	Handle	Outlet	Spout
201-AHA8AE35ABCP	Quatum	369	E35	HA8A
201-AL8ABCP	Quatum	369	E3	L8
201-AL8XKABCP	Ceramic	369	E3	L8
201-AE29XKABCP	Ceramic	369	E29	L9
201-AABCP	Quatum	369	E3	L9
201-AXKABCP	Ceramic	369	E3	L9
201-AE35ABCP	Quatum	369	E35	L9
201-AVPCABCP	Quatum	369	E3VP	L9
201-AGN2AE3-1000AB	Quatum	1000	E3	GN2A
201-GN8AE29-1000AB	Quatum	1000	E29	GN8A
201-AGN8AE3-1000AB	Quatum	1000	E3	GN8A
201-AGN8FC1000ABCP	Quatum	1000	-	GN8FC
201-AHA8-1000ABCP	Quatum	1000	E3	HA8A
201-AL8-1000ABCP	Quatum	1000	E3	L8
201-A1000ABCP	Quatum	1000	E3	L9
201-A1000XKABCP	Ceramic	1000	E3	L9
201-AE35-1000ABCP	Quatum	1000	E35	L9
201-L9E35V1000AB	Quatum	1000	E35VP	L9
201-A1000XKLESHAB	Ceramic	-	-	-
201-ALESHAB	Quatum	-	-	-
201-ALESHXKAB	Ceramic	-	-	-



Cartridges

Model	Description
Quaturn™ Compression	
377-XTRH	Long stem, right
377-XTLH	Long stem, left
Ceramic	
377-XKRH	Long stem, right
377-XKLH	Long stem, left

Handles

Model	Description		
2	317	4" wristblade Vandal proof	
	319	6" elbow Vandal proof	
	369	2-3/8" lever Vandal proof	
	1000	2" canopy Vandal proof	

Spouts

	<table border="1"> <thead> <tr> <th>Model</th> <th>A</th> <th>B</th> <th>C</th> <th>Outlet</th> </tr> </thead> <tbody> <tr> <td colspan="5">Gooseneck Rigid/Swing</td> </tr> <tr> <td>GN1A</td> <td>5-7/8"</td> <td>3-1/2"</td> <td>8-3/8"</td> <td>Male</td> </tr> <tr> <td>GN2A</td> <td>6-1/8"</td> <td>5-1/4"</td> <td>9-3/4"</td> <td>Male</td> </tr> <tr> <td>GN8A</td> <td>6"</td> <td>8"</td> <td>11-1/4"</td> <td>Male</td> </tr> <tr> <td colspan="5">Gooseneck 1.5 GPM Laminar Insert</td> </tr> <tr> <td>GN8AFC</td> <td>6"</td> <td>8"</td> <td>11"</td> <td>Male</td> </tr> <tr> <td>GN2FC</td> <td>6-1/8"</td> <td>5-1/4"</td> <td>9-3/4"</td> <td>Plain</td> </tr> </tbody> </table>	Model	A	B	C	Outlet	Gooseneck Rigid/Swing					GN1A	5-7/8"	3-1/2"	8-3/8"	Male	GN2A	6-1/8"	5-1/4"	9-3/4"	Male	GN8A	6"	8"	11-1/4"	Male	Gooseneck 1.5 GPM Laminar Insert					GN8AFC	6"	8"	11"	Male	GN2FC	6-1/8"	5-1/4"	9-3/4"	Plain
Model	A	B	C	Outlet																																					
Gooseneck Rigid/Swing																																									
GN1A	5-7/8"	3-1/2"	8-3/8"	Male																																					
GN2A	6-1/8"	5-1/4"	9-3/4"	Male																																					
GN8A	6"	8"	11-1/4"	Male																																					
Gooseneck 1.5 GPM Laminar Insert																																									
GN8AFC	6"	8"	11"	Male																																					
GN2FC	6-1/8"	5-1/4"	9-3/4"	Plain																																					
	<table border="1"> <thead> <tr> <th>Model</th> <th>A</th> <th>B</th> <th>C</th> <th>Outlet</th> </tr> </thead> <tbody> <tr> <td colspan="5">Double-Bend Rigid/Swing</td> </tr> <tr> <td>DB6A</td> <td>3-1/8"</td> <td>6-1/4"</td> <td>6-3/8"</td> <td>Male</td> </tr> </tbody> </table>	Model	A	B	C	Outlet	Double-Bend Rigid/Swing					DB6A	3-1/8"	6-1/4"	6-3/8"	Male																									
Model	A	B	C	Outlet																																					
Double-Bend Rigid/Swing																																									
DB6A	3-1/8"	6-1/4"	6-3/8"	Male																																					
	<table border="1"> <thead> <tr> <th>Model</th> <th>A</th> <th>B</th> <th>C</th> <th>Outlet</th> </tr> </thead> <tbody> <tr> <td colspan="5">L-Type Rigid/Swing</td> </tr> <tr> <td>L8</td> <td>2-7/8"</td> <td>8"</td> <td>4-3/8"</td> <td>Male</td> </tr> <tr> <td>L9</td> <td>3-3/4"</td> <td>9-1/2"</td> <td>6-1/2"</td> <td>Male</td> </tr> </tbody> </table>	Model	A	B	C	Outlet	L-Type Rigid/Swing					L8	2-7/8"	8"	4-3/8"	Male	L9	3-3/4"	9-1/2"	6-1/2"	Male																				
Model	A	B	C	Outlet																																					
L-Type Rigid/Swing																																									
L8	2-7/8"	8"	4-3/8"	Male																																					
L9	3-3/4"	9-1/2"	6-1/2"	Male																																					
	<table border="1"> <thead> <tr> <th>Model</th> <th>A</th> <th>B</th> <th>C</th> <th>Outlet</th> </tr> </thead> <tbody> <tr> <td colspan="5">High Arch Rigid/Swing</td> </tr> <tr> <td>H8A</td> <td>8-3/8"</td> <td>8"</td> <td>10"</td> <td>Male</td> </tr> </tbody> </table>	Model	A	B	C	Outlet	High Arch Rigid/Swing					H8A	8-3/8"	8"	10"	Male																									
Model	A	B	C	Outlet																																					
High Arch Rigid/Swing																																									
H8A	8-3/8"	8"	10"	Male																																					

Outlets

Model	Thread	GPM
Aerated Vandal Resistant		
E35VP	13/16" - 24 UNS Female	1.5
E3VP	13/16" - 24 UNS Female	2.2
Aerated Standard		
E35	13/16" - 24 UNS Female	1.5
E3	13/16" - 24 UNS Female	2.2
Non-Aerated Spray Vandal Resistant		
E2805-5	13/16" - 24 UNS Female	0.5
Laminar Vandal Resistant		
E29VP	13/16" - 24 UNS Female	2.2
Laminar Standard		
E29	13/16" - 24 UNS Female	2.2

Deck-mounted manual sink faucet Series: 404

- 3" high cast brass spout
- 8" fixed centers
- Fully adjustable 6" - 26" centers available
- Single supply models available
- Available with pop-up drain
- Flow rates from 0.5 to 2.2 GPM



Model	Cartridge	Handle	Outlet
404-317ABCP	Quaturn	317	E12
404-317XKABCP	Ceramic	317	E12
404-V317ABCP	Quaturn	317	E12VP
404-V317XKABCP	Ceramic	317	E12VP
404-VE2805-317ABCP	Quaturn	317	E2805
404-ABCP	Quaturn	390	E12
404-XKABCP	Ceramic	390	E12
404-VABCP	Quaturn	390	E12VP
404-VE2805ABCP	Quaturn	390	E2805
404-V950ABCP	Quaturn	950	E12VP
404-HZ317ABCP	Quaturn	317	E12
404-317XKPOABCP*	Ceramic	317	E12

*With pop-up drain assembly.

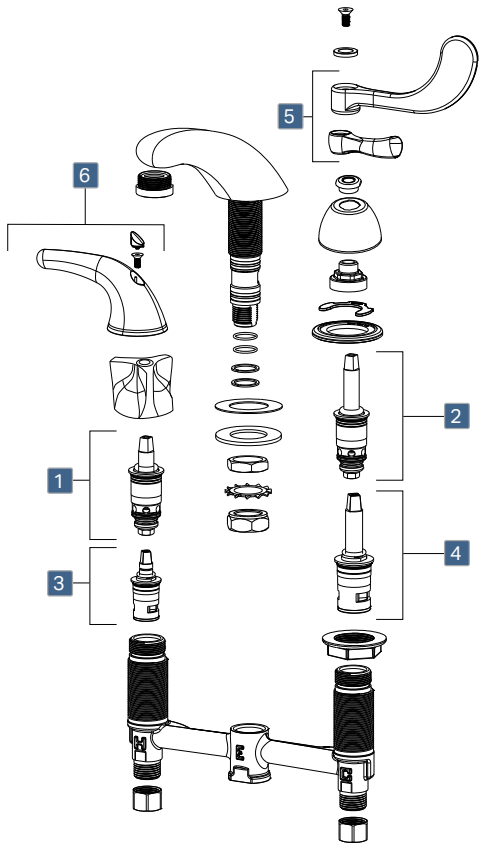
Deck-mounted manual sink faucet Series: 405

- 5-5/8" high cast brass spout
- 8" fixed centers
- Fully adjustable 6" - 26" centers available
- Single supply models available
- Available with pop-up drain
- Flow rates from 0.5 to 2.2 GPM



Model	Cartridge	Handle	Outlet
405-317AB	Quaturn	317	E12
405-317XKAB	Ceramic	317	E12
405-317XKPOAB*	Ceramic	317	E12
405-V317XKAB	Ceramic	317	E12VP
405-V317XKAB	Ceramic	317	E12VP
405-AB	Quaturn	390	E12
405-XKAB	Ceramic	390	E12
405-VAB	Quaturn	390	E12VP
405-V401XKAB	Ceramic	401	E12VP
405-V950AB	Quaturn	950	E12VP
405-LEHAB	Quaturn	-	E12
405-VLEHAB	Quaturn	-	E12VP

*With pop-up drain assembly.



Cartridges

Model	Description
Quaturn™ Compression	
1	1-099XT Short stem, right
	1-100XT Short stem, left
2	377-XTRH Long stem, right
	377-XTLH Long stem, left
Ceramic	
3	1-099XK Short stem, right
	1-100XK Short stem, left
4	377-XKRH Long stem, right
	377-XKLH Long stem, left

Handles

Model	Description
5	317 4" wristblade Vandal proof
	390 2-3/8" lever Vandal proof
6	401 3-7/8" decorative Vandal proof
	950 2-1/2" canopy Vandal proof

Spouts

Model	A	B	C	Outlet
404	1-3/4"	5"	2-7/8"	Female

Model	A	B	C	Outlet
405	4-1/8"	5"	4-5/8"	Female

Outlets

Model	Thread	GPM
Aerated Vandal Resistant		
E12VP	13/16" - 27 UNS Male	2.2
Aerated Standard		
E12	13/16" - 27 UNS Male	2.2
Non-Aerated Spray Vandal Resistant		
E2805	13/16" - 27 UNS Male	0.5



Deck-mounted manual sink faucet

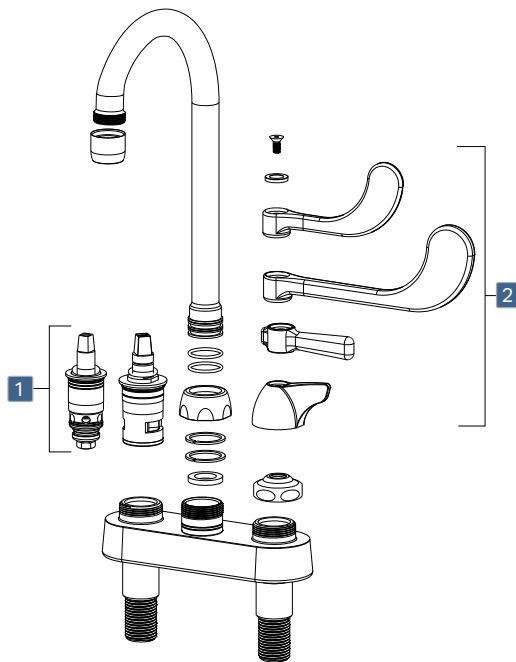
Series: 526, 891, 894, 895, 1891, 1895

- 1/2" NPSM supply inlets and coupling nut for 3/8" or 1/2" flexible riser
- Vandal-resistant lever or wristblade handles standard, other options available
- Metering models with push handles also available
- Ceramic or Quaturn™ compression cartridges
- Models available with pop-up drain (894 Series)
- Polished chrome finish



Model	Cartridge	Handle	Outlet	Spout	Model	Cartridge	Handle	Outlet	Spout
526-317ABCP	Quaturn	317	E1	DB6A	895-317GN8AE29VAB	Quaturn	317	E29VP	GN8A
526-E3-317ABCP	Quaturn	317	E3	DB6A	895-317GN8AE3ABCP	Quaturn	317	E3	GN8A
526-ABCP	Quaturn	369	E1	DB6A	895-317GN8AE35ABCP	Quaturn	317	E35	GN8A
526-XKABCP	Ceramic	369	E1	DB6A	895-317RGD1ABCP	Quaturn	317	E3	GNRGD1
526-E3ABCP	Quaturn	369	E3	DB6A	895-317LESAB	Quaturn	317	-	-
526-GN2AE1ABCP	Quaturn	369	E1	GN2A	895-317LESXKAB	Ceramic	317	-	-
891-317ABCP	Quaturn	317	E3	S6	895-319ABCP	Quaturn	319	E3	GN1A
891-DJ13ABCP	Quaturn	369	E3	DJ13	895-GN2AE3-319ABCP	Quaturn	319	E3	GN2A
891-DJ18E1ABCP	Quaturn	369	E1	DJ18	895-E2805-5ABCP	Quaturn	369	E2805-5	GN1A
891-DJ18ABCP	Quaturn	369	E3	DJ18	895-ABCP	Quaturn	369	E3	GN1A
891-ABCP	Quaturn	369	E3	S6	895-XKABCP	Ceramic	369	E3	GN1A
891-XKABCP	Ceramic	369	E3	S6	895-E35ABCP	Quaturn	369	E35	GN1A
891-LESAB	Quaturn	369	-	-	895-E35XKABCP	Ceramic	369	E35	GN1A
894-317ABCP*	Quaturn	317	E3	GN1A	895-VPCABCP	Quaturn	369	E3VP	GN1A
895-317E2805-5ABCP	Quaturn	317	E2805-5	GN1A	895-GN2AE3ABCP	Quaturn	369	E3	GN2A
895-317E29ABCP	Quaturn	317	E29	GN1A	895-GN2AE35ABCP	Quaturn	369	E35	GN2A
895-317E29XKABCP	Ceramic	317	E29	GN1A	895-GN2FCABCP	Quaturn	369	-	GN2FC
895-317E29VPABCP	Quaturn	317	E29VP	GN1A	895-GN2FCXKABCP	Ceramic	369	-	GN2FC
895-317ABCP	Quaturn	317	E3	GN1A	895-GN8AE3ABCP	Quaturn	369	E3	GN8A
895-317XKABCP	Ceramic	317	E3	GN1A	895-L12ABCP	Quaturn	369	E3	L12
895-317E35ABCP	Quaturn	317	E35	GN1A	895-L12E35ABCP	Quaturn	369	E35	L12
895-317E35XKABCP	Ceramic	317	E35	GN1A	895-L12E72ABCP	Quaturn	369	E72	L12
895-317E36ABCP	Quaturn	317	E36	GN1A	895-L12E73ABCP	Quaturn	369	E73	L12
895-317VPCABCP	Quaturn	317	E3VP	GN1A	895-L8ABCP	Quaturn	369	E3	L8
895-317XKVPAABCP	Ceramic	317	E3VP	GN1A	895-L9ABCP	Quaturn	369	E3	L9
895-317FCABCP	Quaturn	317	-	GN1FC	895-LESAB	Quaturn	369	-	-
895-317FCXKABCP	Ceramic	317	-	GN1FC	895-LESXKAB	Ceramic	369	-	-
895-317GN2AE29ABCP	Quaturn	317	E29	GN2A	895-LEHAB	Quaturn	-	E3	GN1A
895-317GN2AE29VAB	Quaturn	317	E29VP	GN2A	895-LESHAB	Quaturn	-	-	-
895-317GN2AE3ABCP	Quaturn	317	E3	GN2A	1891-ABCP	Quaturn	1000	E3	S6
895-317GN2AE3XKAB	Ceramic	317	E3	GN2A	1891-XKABCP	Ceramic	1000	E3	S6
895-317GN2AE35ABCP	Quaturn	317	E35	GN2A	1895-ABCP	Quaturn	1000	E3	GN1A
895-317GN2AE36ABCP	Quaturn	317	E36	GN2A	1895-XKABCP	Ceramic	1000	E3	GN1A
895-317GN2AABCP	Quaturn	317	-	GN2A	1895-E35ABCP	Quaturn	1000	E35	GN1A
895-317GN2AFCABCP	Quaturn	317	-	GN2AFC	1895-GN8AE3ABCP	Quaturn	1000	E3	GN8A
895-317GN2BE4ABCP	Quaturn	317	E4	GN2B	1895-L8ABCP	Quaturn	1000	E3	L8
895-317GN2FCAB	Quaturn	317	-	GN2FC	1895-L9ABCP	Quaturn	1000	E3	L9

*With pop-up drain assembly.



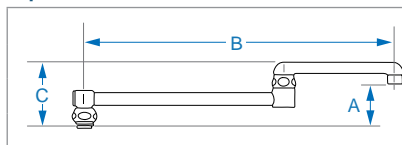
Cartridges

Model	Description
1	
Quaturn™ Compression	
1-099XT	Short stem, right
1-100XT	Short stem, left
Ceramic	
1-099XK	Short stem, right
1-100XK	Short stem, left

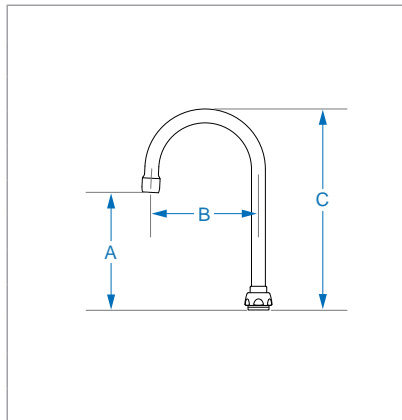
Handles

Model	Description	
2		
317	4" wristblade Vandal proof	
319	6" elbow Vandal proof	
369	2-3/8" lever Vandal proof	
1000	2" canopy Vandal proof	

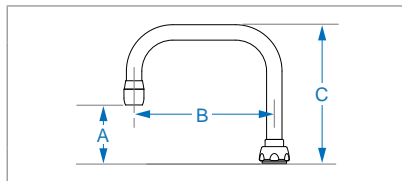
Spouts



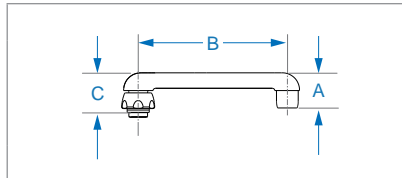
Model	A	B	C	Outlet
Double-Jointed Rigid/Swing				
DJ13	2-1/4"	13"	3-7/8"	Male
DJ18	2-1/4"	17-3/4"	3-7/8"	Male



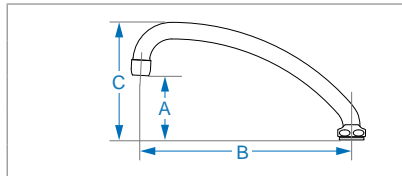
Model	A	B	C	Outlet
Gooseneck Rigid/Swing				
GN1A	5-7/8"	3-1/2"	8-3/8"	Male
GN2A	6-1/8"	5-1/4"	9-3/4"	Male
GN2B	5-5/8"	5-1/4"	9-3/4"	Female
GN8A	6"	8"	11-1/4"	Male
Gooseneck Rigid Only				
GNRGD1	6-1/4"	3-1/2"	8-1/2"	Male
Gooseneck 1.5 GPM Laminar Insert				
GN1FC	5-7/8"	3-1/2"	8-3/8"	Plain
GN2AFC	6-1/8"	5-1/4"	9-3/4"	Male
GN2FC	6-1/8"	5-1/4"	9-3/4"	Plain



Model	A	B	C	Outlet
Double-Bend Rigid/Swing				
DB6A	3-1/8"	6-1/4"	6-3/8"	Male



Model	A	B	C	Outlet
S-Type Swing				
S6	1-3/8"	6"	1-5/8"	Male



Model	A	B	C	Outlet
L-Type Rigid/Swing				
L8	2-7/8"	8"	4-3/8"	Male
L9	3-3/4"	9-1/2"	6-1/2"	Male
L12	2-3/8"	12"	4-5/8"	Male

Outlets

Model	Thread	GPM
Aerated Vandal Resistant		
E3VP	13/16" - 24 UNS Female	2.2
Aerated Standard		
E35	13/16" - 24 UNS Female	1.5
E3	13/16" - 24 UNS Female	2.2
Non-Aerated Full Flow		
E1	13/16" - 24 UNS Female	Full
Non-Aerated Spray		
E4	3/8" - 18 NPSM Female	1.5
Non-Aerated Spray Vandal Resistant		
E2805-5	13/16" - 24 UNS Female	0.5
Laminar Vandal Resistant		
E29VP	13/16" - 24 UNS Female	2.2
Laminar Standard		
E29	13/16" - 24 UNS Female	2.2
E36	13/16" - 24 UNS Female	1.5
E72	13/16" - 24 UNS Female	0.5
E73	13/16" - 24 UNS Female	1.0



Deck-mounted manual sink faucet

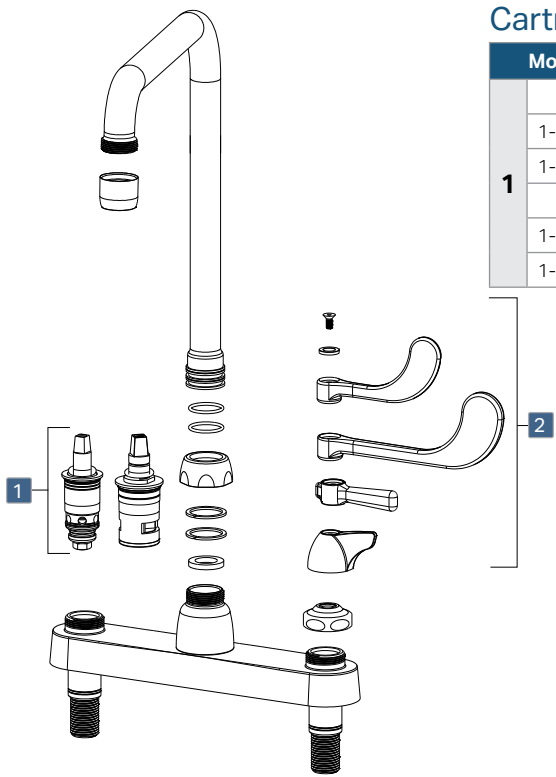
Series: 527, 1100, 1102

- 8" centers
- 1/2" NPSM supply inlets and coupling nut for 3/8" or 1/2" flexible riser
- Vandal-resistant handles standard
- Ceramic or Quatum™ compression cartridges
- Polished chrome finish



Model	Cartridge	Handle	Outlet	Spout
527-317ABCP	Quatum	317	E1	DB6A
527-GN2AE3-317ABCP	Quatum	317	E3	GN2A
527-GN2A317ABCP	Quatum	317	-	GN2A
527-GN8AE3-317ABCP	Quatum	317	E3	GN8A
527-HA8-317ABCP	Quatum	317	E3	HA8A
527-ABCP	Quatum	369	E1	DB6A
527-XKABCP	Ceramic	369	E1	DB6A
527-GN2AE1ABCP	Quatum	369	E1	GN2A
527-GN8AE3ABCP	Quatum	369	E3	GN8A
527-HA8ABCP	Quatum	369	E3	HA8A
527-L12ABCP	Quatum	369	E3	L12
527-S6E1ABCP	Quatum	369	E1	S6
527-LESAB	Quatum	369	-	-
1100-G2E3-317AB	Quatum	317	E3	GN2A
1100-GN2AE35-317AB	Quatum	317	E35	GN2A
1100-GN2AE3V317AB	Quatum	317	E3VP	GN2A
1100-GN2FC317ABCP	Quatum	317	-	GN2FC
1100-GN8AE3-317AB	Quatum	317	E3	GN8A
1100-GN8AE35-317AB	Quatum	317	E35	GN8A
1100-HA8-317ABCP	Quatum	317	E3	HA8A
1100-HA8-317XKABCP	Ceramic	317	E3	HA8A
1100-HA8AE35-317AB	Quatum	317	E35	HA8A
1100-317ABCP	Quatum	317	E3	L8
1100-317XKABCP	Ceramic	317	E3	L8
1100-E35-317ABCP	Quatum	317	E35	L8
1100-E35VP317ABCP	Quatum	317	E35VP	L8
1100-317VPAABCP	Quatum	317	E3VP	L8
1100-317XKVPCABCP	Ceramic	317	E3VP	L8
1100-L9-317ABCP	Quatum	317	E3	L9
1100-L9-317XKABCP	Ceramic	317	E3	L9
1100-LES317AB	Quatum	317	-	-

Model	Cartridge	Handle	Outlet	Spout
1100-LES317XKAB	Ceramic	317	-	-
1100-319ABCP	Quatum	319	E3	L8
1100-GN8AE3-369AB	Quatum	369	E3	GN8A
1100-HA8-369ABCP	Quatum	369	E3	HA8A
1100-HA8-369VPAAB	Quatum	369	E3VP	HA8A
1100-E2805-5-369AB	Quatum	369	E2805-5	L8
1100-369ABCP	Quatum	369	E3	L8
1100-E35-369ABCP	Quatum	369	E35	L8
1100-GN1AE3ABCP	Quatum	1000	E3	GN1A
1100-GN2AE3XKABCP	Ceramic	1000	E3	GN2A
1100-GN2AE3VXKAB	Ceramic	1000	E3VP	GN2A
1100-GN8AE3ABCP	Quatum	1000	E3	GN8A
1100-GN8AE3VPCABCP	Quatum	1000	E3VP	GN8A
1100-HA8ABCP	Quatum	1000	E3	HA8A
1100-HA8XKABCP	Ceramic	1000	E3	HA8A
1100-HA8AE35ABCP	Quatum	1000	E35	HA8A
1100-HA8VPCABCP	Quatum	1000	E3VP	HA8A
1100-ABCP	Quatum	1000	E3	L8
1100-XKABCP	Ceramic	1000	E3	L8
1100-E35ABCP	Quatum	1000	E35	L8
1100-E35XKABCP	Ceramic	1000	E35	L8
1100-L9E29VPABCP	Quatum	1000	E29VP	L9
1100-L9ABCP	Quatum	1000	E3	L9
1100-L9E35ABCP	Quatum	1000	E35	L9
1100-L9VPAXKABCP	Ceramic	1000	E3VP	L9
1100-LESAB	Quatum	1000	-	-
1100-LESXKAB	Ceramic	1000	-	-
1100-LEHAB	Quatum	-	E3	L8
1100-LESHAB	Quatum	-	-	-
1102-ABCP	Quatum	1000	E3	L8



Cartridges

Model	Description
Quaturn™ Compression	
1-099XT	Short stem, right
1-100XT	Short stem, left
Ceramic	
1-099XK	Short stem, right
1-100XK	Short stem, left

Handles

Model	Description	
317	4" wristblade Vandal proof	
319	6" elbow Vandal proof	
369	2-3/8" lever Vandal proof	
1000	2" canopy Vandal proof	

Spouts

Model	A	B	C	Outlet
Gooseneck Rigid/Swing				
GN2A	6-1/8"	5-1/4"	9-3/4"	Male
GN8A	6"	8"	11-1/4"	Male
Gooseneck 1.5 GPM Laminar Insert				
GN2AFC	6-1/8"	5-1/4"	9-3/4"	Male

Model	A	B	C	Outlet
Double-Bend Rigid/Swing				
DB6A	3-1/8"	6-1/4"	6-3/8"	Male

Model	A	B	C	Outlet
S-Type Swing				
S6	1-3/8"	6"	1-5/8"	Male

Model	A	B	C	Outlet
L-Type Rigid/Swing				
L8	2-7/8"	8"	4-3/8"	Male
L9	3-3/4"	9-1/2"	6-1/2"	Male
L12	2-3/8"	12"	4-5/8"	Male

Model	A	B	C	Outlet
High Arch Rigid/Swing				
HA8A	8-3/8"	8"	10"	Male

Outlets

Model	Thread	GPM
Aerated Vandal Resistant		
E35VP	13/16" - 24 UNS Female	1.5
E3VP	13/16" - 24 UNS Female	2.2
Aerated Standard		
E35	13/16" - 24 UNS Female	1.5
E3	13/16" - 24 UNS Female	2.2
Non-Aerated Full Flow		
E1	13/16" - 24 UNS Female	Full
Non-Aerated Spray Vandal Resistant		
E2805-5	13/16" - 24 UNS Female	0.5
Laminar Vandal Resistant		
E29VP	13/16" - 24 UNS Female	2.2
Laminar Standard		
E29	13/16" - 24 UNS Female	2.2



Deck-mounted manual sink faucet

Series: 786

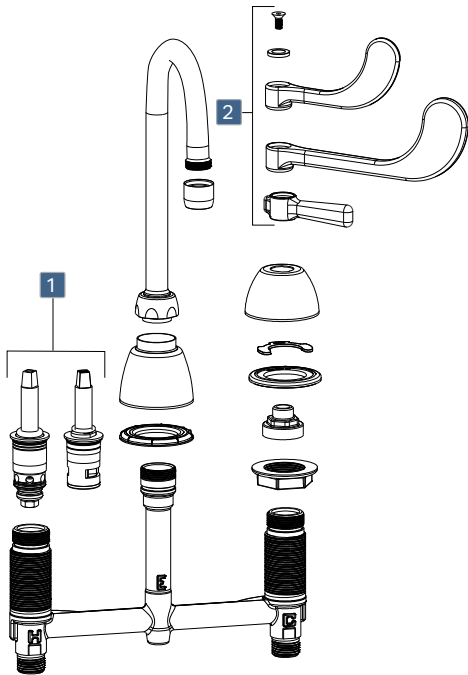
- 8" centers
- 1/2" NPSM supply inlets and coupling nut for 3/8" or 1/2" flexible riser
- Vandal-resistant handles standard
- Ceramic or Quatum™ and Control-A-Flo compression cartridges
- Polished chrome finish



Model	Cartridge	Handle	Outlet	Spout
786-GN1AE29ABCP	Quatum	317	E29	GN1A
786-GN1AE29VPABCP	Quatum	317	E29VP	GN1A
786-GN1AE3ABCP	Quatum	317	E3	GN1A
786-GN1AE3XKAB	Ceramic	317	E3	GN1A
786-GN1AE35ABCP	Quatum	317	E35	GN1A
786-GN1FCABCP	Quatum	317	-	GN1FC
786-E2805-5ABCP	Quatum	317	E2805-5	GN2A
786-E2805-5VPCABCP	Quatum	317	E2805-5	GN2A
786-E2805-5XKABCP	Ceramic	317	E2805-5	GN2A
786-E29ABCP	Quatum	317	E29	GN2A
786-E29VPCABCP	Quatum	317	E29VP	GN2A
786-E29XKABCP	Ceramic	317	E29	GN2A
786-TWE29ABCP*	Quatum	317	E29	GN2A
786-TWE29XKABCP*	Ceramic	317	E29	GN2A
786-E29VPXKABCP	Ceramic	317	E29VP	GN2A
786-E3-245ABCP	Control-A-Flow	317	E3	GN2A
786-E3ABCP	Quatum	317	E3	GN2A
786-E3XKABCP	Ceramic	317	E3	GN2A
786-TWGN2AE3ABCP*	Quatum	317	E3	GN2A
786-TWGN2AE3XKABCP*	Ceramic	317	E3	GN2A
786-E35ABCP	Quatum	317	E35	GN2A
786-E35XKABCP	Ceramic	317	E35	GN2A
786-TWGN2AE35ABCP*	Quatum	317	E35	GN2A
786-E35VPCABCP	Quatum	317	E35VP	GN2A
786-E36ABCP	Quatum	317	E36	GN2A
786-E36XKABCP	Ceramic	317	E36	GN2A
786-E3VPCABCP	Quatum	317	E3VP	GN2A
786-GN2AFCE1ABCP	Quatum	317	E1	GN2AFC
786-GN2AFCABCP	Quatum	317	-	GN2AFC
786-TWGN2AFCABCP*	Quatum	317	-	GN2AFC
786-ABCP	Quatum	317	E4	GN2B
786-TWABCP*	Quatum	317	E4	GN2B
786-TWXKABCP*	Ceramic	317	E4	GN2B
786-XKABCP	Ceramic	317	E4	GN2B
786-GN2FCABCP	Quatum	317	-	GN2FC

*Includes third-water connection

Model	Cartridge	Handle	Outlet	Spout
786-GN2FCXKABCP	Ceramic	317	-	GN2FC
786-TWGN2FCABCP*	Quatum	317	-	GN2FC
786-TWGN2FCXKABCP*	Ceramic	317	-	GN2FC
786-GN8AE29ABCP	Quatum	317	E29	GN8A
786-GN8AE29VPABCP	Quatum	317	E29VP	GN8A
786-GN8AE29XKABCP	Ceramic	317	E29	GN8A
786-TWGN8AE29VXKAB*	Ceramic	317	E29VP	GN8A
786-GN8AE3ABCP	Quatum	317	E3	GN8A
786-GN8AE3XKABCP	Ceramic	317	E3	GN8A
786-TWGN8AE3XKABCP*	Ceramic	317	E3	GN8A
786-GN8AE35ABCP	Quatum	317	E35	GN8A
786-GN8AE36ABCP	Quatum	317	E36	GN8A
786-GN8AE3VPCABCP	Quatum	317	E3VP	GN8A
786-GN8AFCABCP	Quatum	317	-	GN8AFC
786-GN8FCABCP	Quatum	317	-	GN8FC
786-GN8FCXKABCP	Ceramic	317	-	GN8FC
786-TWGN8FCABCP*	Quatum	317	-	GN8FC
786-L9E29ABCP	Quatum	317	E29	L9
786-L9E36ABCP	Quatum	317	E36	L9
786-E3-319ABCP	Quatum	319	E3	GN2A
786-E3-319XKABCP	Ceramic	319	E3	GN2A
786-E35-319ABCP	Quatum	319	E35	GN2A
786-GN2FC319ABCP	Quatum	319	-	GN2FC
786-GN8AE3-319ABCP	Quatum	319	E3	GN8A
786-E3-369ABCP	Quatum	369	E3	GN2A
786-E3-369XKABCP	Ceramic	369	E3	GN2A
786-E35-369ABCP	Quatum	369	E35	GN2A
786-E3-369VPAABCP	Quatum	369	E3VP	GN2A
786-GN2FC369ABCP	Quatum	369	-	GN2FC
786-GN8AE3-369ABCP	Quatum	369	E3	GN8A
786-GN8AE3V369AB	Quatum	369	E3VP	GN8A
786-LESHAB	Quatum	-	-	-
786-LESHXKAB	Ceramic	-	-	-
786-TWLESHAB*	Quatum	-	-	-



Cartridges

Model	Description
Quaturn™ Compression	
377-XTRH	Long stem, right
377-XTLH	Long stem, left
Quaturn™ w/ Control-A-Flow	
377-X245R	Long stem, right
377-X245L	Long stem, left
Ceramic	
377-XKRH	Long stem, right
377-XKLH	Long stem, left

Handles

Model	Description		
2	317	4" wristblade Vandal proof	
	319	6" elbow Vandal proof	
	369	2-3/8" lever Vandal proof	

Spouts

Model	A	B	C	Outlet
Gooseneck Rigid/Swing				
GN1A	5-7/8"	3-1/2"	8-3/8"	Male
GN2A	6-1/8"	5-1/4"	9-3/4"	Male
GN2B	5-3/4"	5-1/4"	9-3/4"	Female
GN8A	6"	8"	11-1/4"	Male
Gooseneck 1.5 GPM Laminar Insert				
GN1FC	5-7/8"	3-1/2"	8-3/8"	-
GN2AFC	6-1/8"	5-1/4"	9-3/4"	Male
GN2FC	6-1/8"	5-1/4"	9-3/4"	-
GN8AFC	6"	8"	11"	Male
GN8FC	6-1/8"	8"	11-1/4"	-
Model	A	B	C	Outlet
L-Type Rigid/Swing				
L9	3-3/4"	9-1/2"	6-1/2"	Male

Outlets

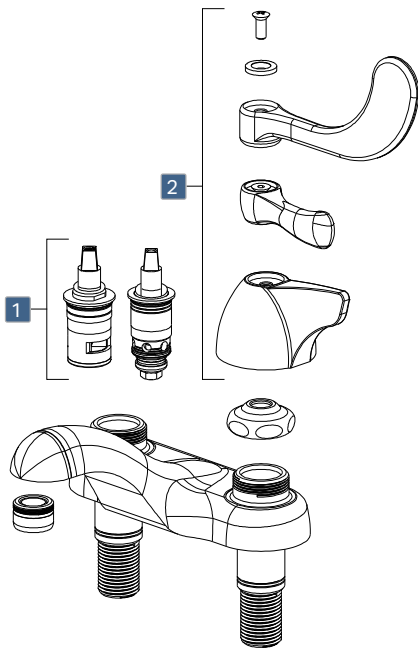
Model	Thread	GPM
Aerated Vandal Resistant		
E35VP	13/16" - 24 UNS Female	1.5
E3VP	13/16" - 24 UNS Female	2.2
Aerated Standard		
E35	13/16" - 24 UNS Female	1.5
E3	13/16" - 24 UNS Female	2.2
Non-Aerated Full Flow		
E1	13/16" - 24 UNS Female	Full
Non-Aerated Spray Vandal Resistant		
E2805-5	13/16" - 24 UNS Female	0.5
Laminar Vandal Resistant		
E29VP	13/16" - 24 UNS Female	2.2
Laminar Standard		
E29	13/16" - 24 UNS Female	2.2
Rose Spray		
E4	3/8" - 18 NPSM Male	1.5

Deck-mounted manual sink faucet Series: 802

- 4" centers
- 1/2" NPSM supply inlets and coupling nut for 3/8" or 1/2" flexible riser
- Vandal-resistant handles standard
- Ceramic or Quatern™ compression cartridges
- Polished chrome finish



Model	Cartridge	Handle	Outlet
802-317ABCP	Quatern	317	E12
802-317XKABCP	Ceramic	317	E12
802-V317ABCP	Quatern	317	E12VP
802-V317XKABCP	Ceramic	317	E12VP
802-VE2805-317ABCP	Quatern	317	E2805
802-ABCP	Quatern	390	E12
802-XKABCP	Ceramic	390	E12
802-VABCP	Quatern	390	E12VP
802-VXKABCP	Ceramic	390	E12VP
802-VE2805ABCP	Quatern	390	E2805
802-1000ABCP	Quatern	1000	E12
802-1000XKABCP	Ceramic	1000	E12
802-V1000ABCP	Quatern	1000	E12VP
802-VE2805-1000AB	Quatern	1000	E2805
802-LEHAB	Quatern	-	E12
802-LEHXCAB	Ceramic	-	E12
802-VLEHAB	Quatern	-	E12VP



Cartridges

Model	Description
Quatern™ Compression	
1-099XT	Short stem, right
1-100XT	Short stem, left
Ceramic	
1-099XK	Short stem, right
1-100XK	Short stem, left

Handles

Model	Description	Image
317	4" wristblade Vandal proof	
390	2-3/8" lever Vandal proof	
1000	2" canopy Vandal proof	

Spouts

Model	A	B	C	Outlet
802	1-5/8"	4"	2-3/4"	Female

Outlets

Model	Thread	GPM
Aerated Vandal Resistant		
E12VP	13/16" - 27 UNS Male	2.2
Aerated Standard		
E12	13/16" - 27 UNS Male	2.2
Non-Aerated Spray Vandal Resistant		
E2805	13/16" - 27 UNS Male	0.5

**CHICAGO
FAUCETS**
Geberit Group

Wall-Mounted Service Sink Faucets





Wall-mounted service sink faucet

Series: 305, 886

- Adjustable arms with 3" - 8-3/8" centers
- Vandal-resistant lever handles standard
- 2-3/8" rigid or 5-3/4" swing spout with 3/4" hose thread and atmospheric vacuum breaker
- Ceramic or Quatern™ compression cartridges
- Polished chrome or rough chrome finish



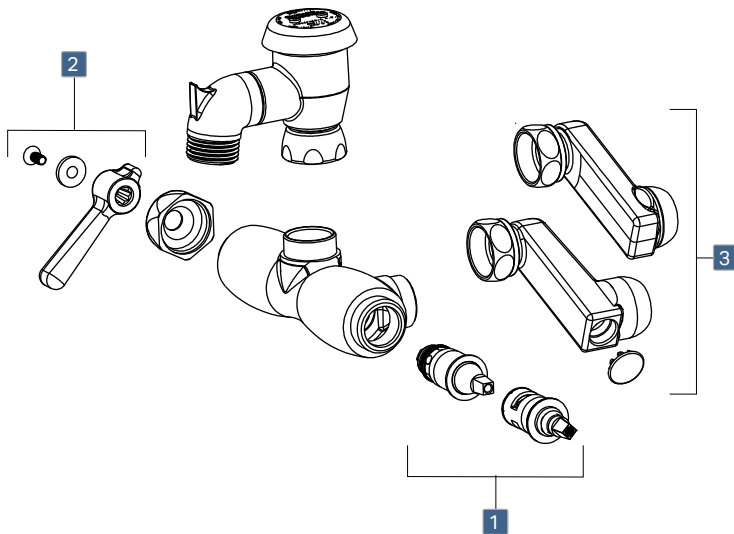
Polished Chrome

Model	Arm	Cartridge	Handle	Spout
305-VBCP	H	Quatern	369	305-SVB
305-VBLEA	-	Quatern	369	305-SVB
305-VBRCP	R*	Quatern	369	305-SVB
305-VBRXKCP	R*	Ceramic	369	305-SVB
305-VBXCPC	H	Ceramic	369	305-SVB
886-CP	H	Quatern	369	L5VB

Rough Chrome

Model	Arm	Cartridge	Handle	Spout
305-VBLEARCF	-	Quatern	369	305-SVB
305-VBRRCF	-	Quatern	369	305-SVB
305-VBRRCF	R*	Quatern	369	305-SVB
305-VBRXKRRCF	R*	Ceramic	369	305-SVB
305-VBXRRCF	H	Ceramic	369	305-SVB

*With integral stops.



Cartridges

Model	Description
Quatern™ Compression	
1-099XT	Short stem, right
1-100XT	Short stem, left
Ceramic	
1-099XK	Short stem, right
1-100XK	Short stem, left

Handles

Model	Description
2 369	2-3/8" lever Vandal proof

Arms

Model	Description
3 H	2-1/2" offset
3 R	2-1/2" offset with integral shutoff stop

Spouts

Model	A	B	C	Outlet Thread
Vacuum Breaker Spout				
305-SVB	1/2"	2-3/8"	3-1/8"	3/4" - 11-1/2 Male Hose
L5VB	1"	5-3/4"	4"	3/4" - 11-1/2 Male Hose



Wall-mounted service sink faucet

Series: 445

- Adjustable arms with 3" - 8-3/8" centers
- Vandal-resistant lever handles standard
- 5-3/4" rigid spout with 3/4" hose thread
- Ceramic cartridges with integral check valve
- Polished chrome finish



Model	Arm	Cartridge	Handle	Spout
445-897SRXKCCP	R*	Ceramic	369	897-S
445-PVBCP	R*	Quaturn	369	892-044

*With integral stops.

Cartridges

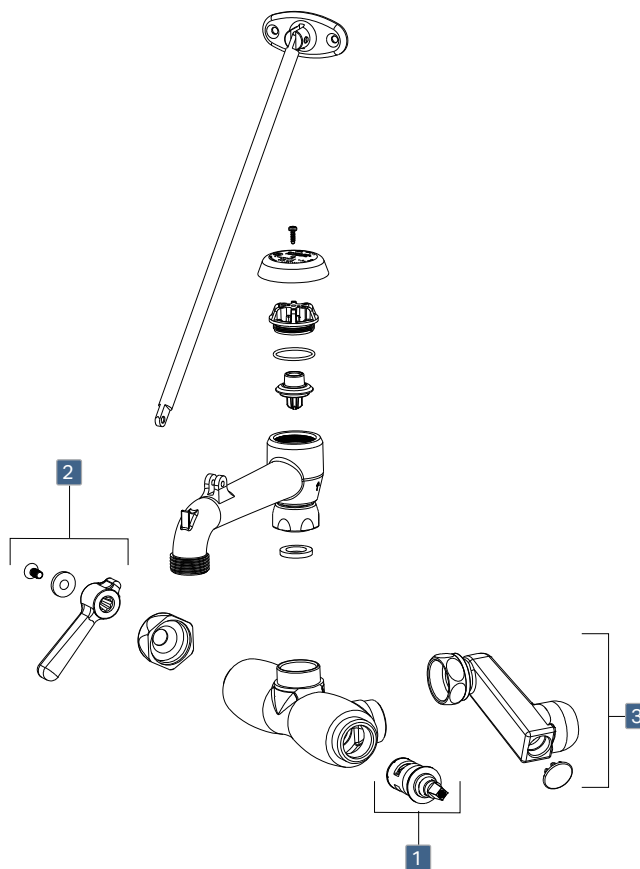
Model	Description
Ceramic With Integral Check	
1 1-099XKC	Short stem, right
1-100XKC	Short stem, left

Handles

Model	Description
2 369	2-3/8" lever Vandal proof

Arms

Model	Description
3 R	2-1/2" offset with integral shutoff stop



Spouts

Model	A	B	C	Outlet Thread
Rigid Vacuum Breaker Spout with Pail Hook and Pipe Support				
897-S	1-3/8"	5-3/4"	3-1/8"	3/4" - 11-1/2 Male Hose



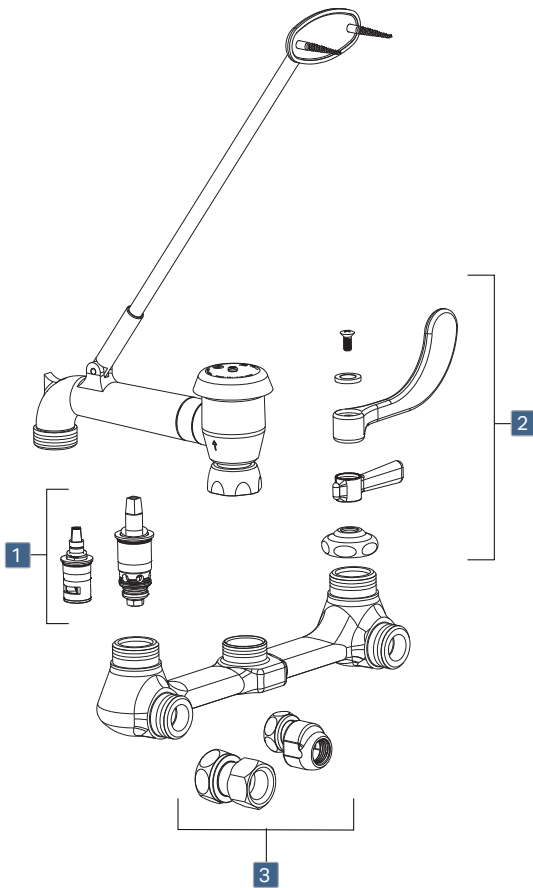
Wall-mounted service sink faucet

Series: 540

- Fixed 8" centers or adjustable arms with 7-1/4" - 8-3/4" centers
- Vandal-resistant lever or wristblade handles standard
- 5-3/4" rigid spout with 3/4" hose thread
- Ceramic or Quaturn™ compression cartridges
- Polished chrome finish



Model	Arm	Cartridge	Handle	Spout
540-LD897SCP	G	Quaturn	369	897-S
540-LD897SWXF317CP	WXF	Quaturn	369	897-S
540-LD897SWXF317KCP	WXF	Ceramic	369	897-S



Cartridges

Model	Description	
Quaturn™ Compression		
1	1-099XT Short stem, right	
	1-100XT Short stem, left	
	Ceramic	
	1-099XK Short stem, right	
1-100XK Short stem, left		

Handles

Model	Description	
2	317 4" wristblade Vandal proof	
	369 2-3/8" lever Vandal proof	

Arms

Model	Description
3	G 3/8" offset
	WXF Straight 2"

Spouts

Model	A	B	C	Outlet Thread
Rigid Vacuum Breaker Spout with Pail Hook and Pipe Support				
897-S	1-3/8"	5-3/4"	3-1/8"	3/4" - 11-1/2 Male Hose



Wall-mounted service sink faucet

Series: 814, 815

- Adjustable arms with 3" - 8-3/8" centers
- Vandal-resistant elbow blade handles standard
- 5-3/4" rigid spout with 3/4" hose thread
- Quatum™ compression cartridges
- Polished chrome finish




Model	Arm	Cartridge	Handle	Spout
814-VBCP	R	Quatum	319	814-SVB
815-VBCP	R	Quatum	319	815-SVB

Cartridges

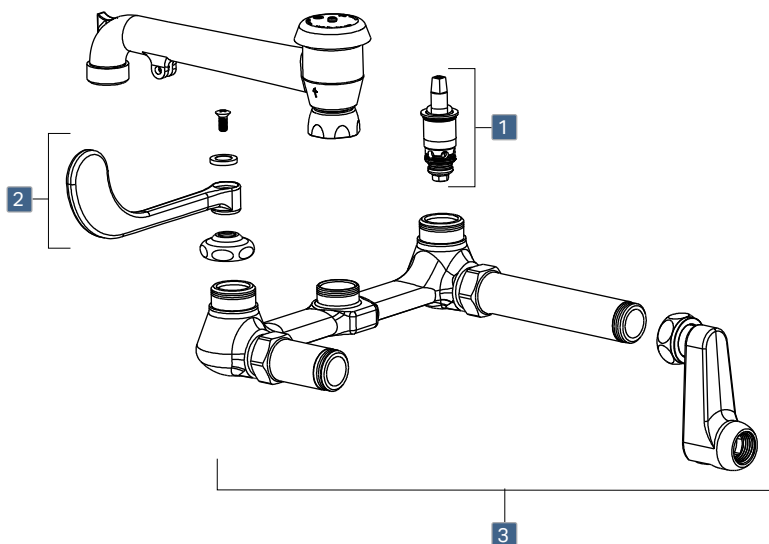
Model	Description
Quatum™ Compression	
1	1-099XT Short stem, right
	1-100XT Short stem, left

Handles

Model	Description
2 319	6" elbow blade Vandal proof 

Arms & Inlet Extensions

Model	Description
3	R 2-1/2" offset with integral shutoff stop
	EX2 Straight 2" short supply inlet extension
	EX5 Straight 5" long supply inlet extension



Spouts

Model	A	B	C	Outlet Thread
Rigid Vacuum Breaker Spout with Pail Hook and Pipe Support				
814-SVB	1-3/8"	7-1/2"	3"	3/4" - 11-1/2 Male Hose
815-SVB	1-3/8"	7-1/2"	3"	3/4" - 11-1/2 Male Hose



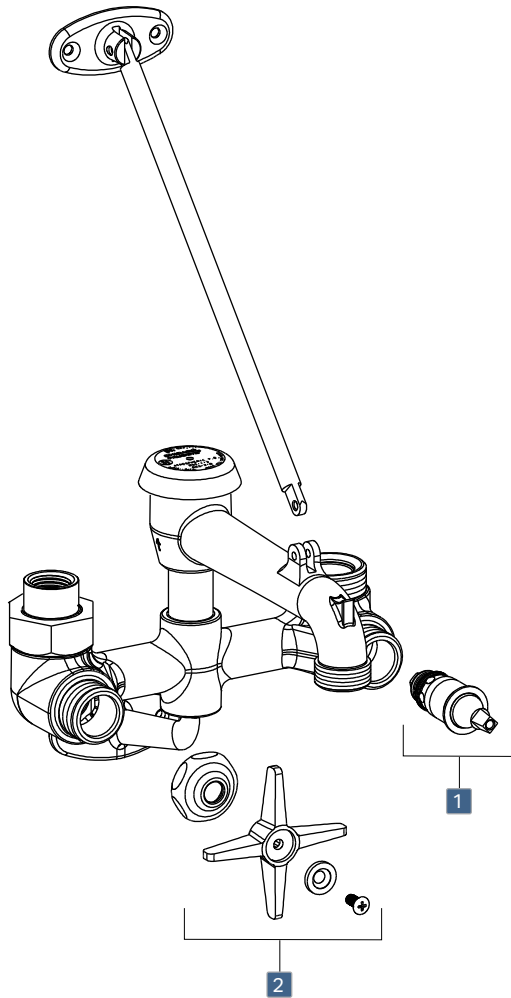
Wall-mounted service sink faucet
Series: 835

- 6" fixed centers
- 3" cross handles
- 5-3/4" rigid spout with 3/4" hose thread
- Supplies from above
- Quatern™ compression cartridges
- Polished chrome or rough chrome finish



Model	Cartridge	Handle	Spout
835-CP	Quatern	633	Integral
835-RCF*	Quatern	633	Integral


*Rough chrome finish.



Cartridges

Model	Description
1	Quatern™ Compression
	1-100XT Short stem, left

Handles

Model	Description
2 633	3" cross 



Wall-mounted service sink faucet

Series: 897

- Adjustable arms with 7-5/8" - 8-3/8" centers
- Integral stop valves
- Vandal-resistant lever handles standard
- 5-1/4" rigid atmospheric vacuum breaker spout with 3/4" hose thread
- Ceramic cartridges
- Polished chrome or rough chrome finish



Individual Faucets

Model	Arm	Cartridge	Handle	Spout
897-CCP*	897-012	Ceramic	369	Integral
897-CP	897-012	Ceramic	369	Integral
897-CRCF* [†]	897-012	Ceramic	369	Integral
897-RCF [†]	897-012	Ceramic	369	Integral

Master Packs With Eight Faucets

Model	Arm	Cartridge	Handle	Spout
897-MPCCP*	897-012	Ceramic	369	Integral
897-MPCP	897-012	Ceramic	369	Integral
897-MPCRCF* [†]	897-012	Ceramic	369	Integral
897-MPRCF [†]	897-012	Ceramic	369	Integral

*Includes integral check valves.

[†]Rough chrome finish.

Cartridges

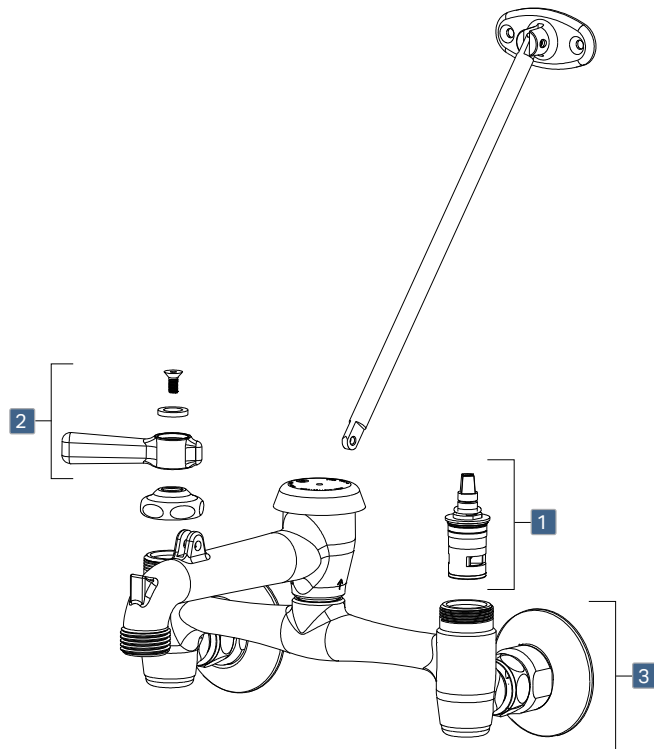
Model	Description
Ceramic	
1	1-099XK Short stem, right
	1-100XK Short stem, left

Handles

Model	Description
2	369 2-3/8" lever Vandal proof

Arms

Model	Description
3	897-012 3/16 Offset



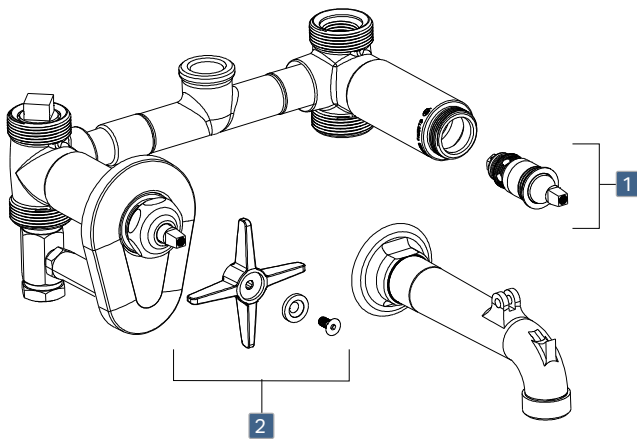
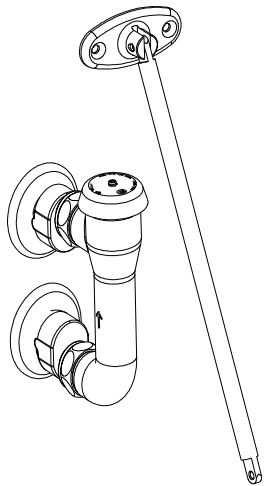


Wall-mounted service sink faucet Series: 911

- 8" fixed centers
- 3" cross handles
- 5-3/4" rigid spout with 3/4" hose thread
- Slow compression cartridges
- Polished chrome finish




Model	Cartridge	Handle	Spout
911-ISCP	Slow Compression	633	782-001K



Cartridges

Model	Description
1	Slow Compression
	217-XTLH Short stem, left

Handles

Model	Description
2	633 3" cross 

Spouts

Model	A	B	C	Outlet Thread
Rigid Spout with Wall Flange and Pail Hook				
782-001K	1-3/8"	5-3/4"	n/a	3/4" - 11-1/2 Male Hose

**CHICAGO
FAUCETS**
Geberit Group

Wall-Mounted Two-Handle Manual Sink Faucets





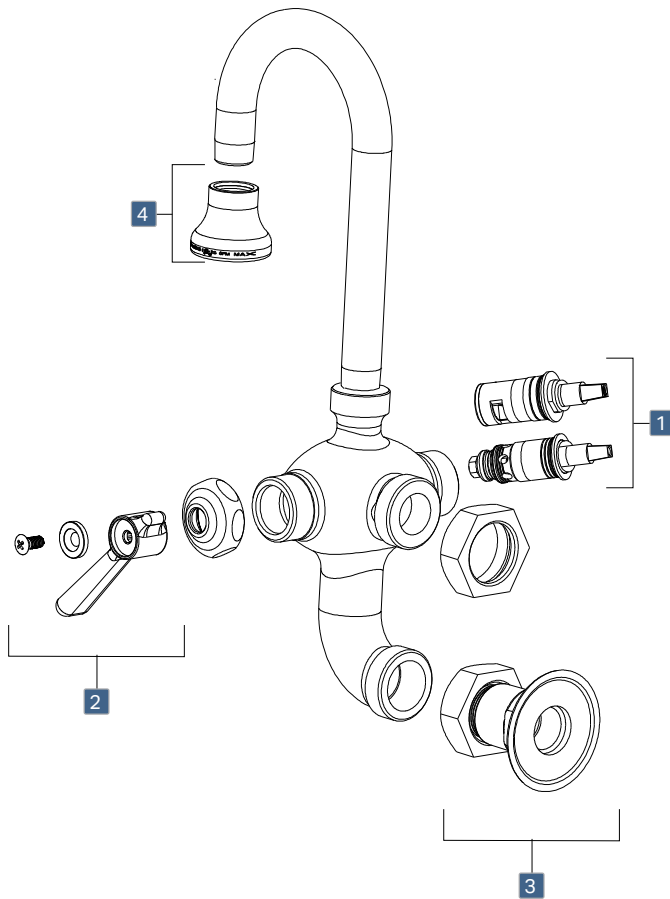
Wall-mounted manual sink faucet Series: 225

- 3" vertical fixed centers
- Vandal-resistant lever handles standard
- 3-1/2" center-to-center rigid spout
- Quaturn™ compression cartridges
- Polished chrome finish



Model	Arm	Cartridge	Handle	Outlet	Spout
225-ABCP	–	Quaturn	369	E4F	225-001
225-261ABCP	261	Quaturn	369	E4F	225-001
225-261E3-3XKABCP*	261	Quaturn	369	E3-3	225-001


*Not available with CFNow! shipping



Cartridges

Model	Description
Quaturn™ Compression	
1	1-099XT Short stem, right
	1-100XT Short stem, left
Ceramic	
1-099XK	Short stem, right
1-100XK	Short stem, left

Handles

Model	Description
2 369	2-3/8" lever Vandal proof 

Arms

Model	Description
3 261	Straight inlet arm

Outlets

Model	Description
4	E4F 3/8" - 18 NPSM Female 1.5
	E3-3 3/8" - 18 NPSM Female 2.2



Wall-mounted manual sink faucet

Series: 305

- Adjustable arms with 3" - 8-3/8" centers
- Integral spout with 3/4" hose thread
- Vandal-resistant lever handles standard
- Quatum™ compression cartridges
- Rough chrome finish




Model	Arm	Cartridge	Handle	Spout
305-RCF	H	Quatum	369	Integral
305-RRCF*	R	Quatum	369	Integral

*With integral stops.

Cartridges

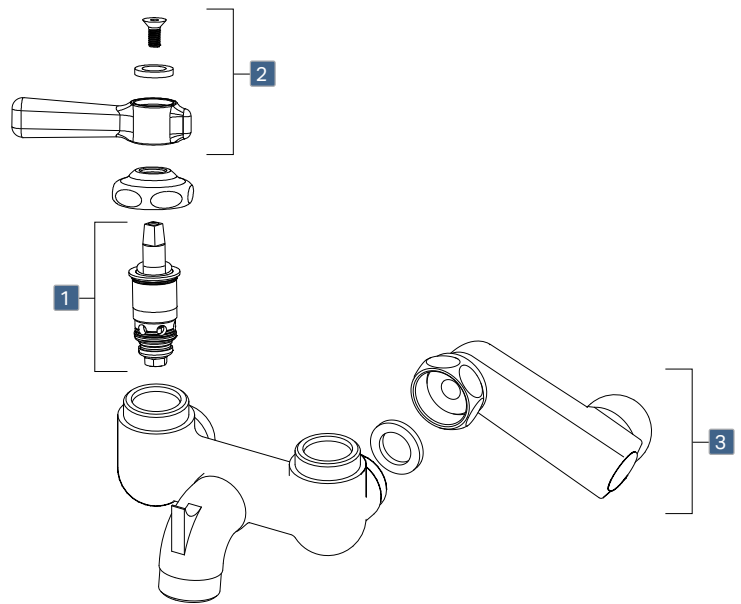
Model	Description
Quatum™ Compression	
1	1-099XT Short stem, right
	1-100XT Short stem, left

Handles

Model	Description
2	369 2-3/8" lever Vandal proof 

Arms

Model	Description
3	H 2-1/2" offset
	R 2-1/2" offset with integral shutoff stop





Wall-mounted manual sink faucet

Series: 445

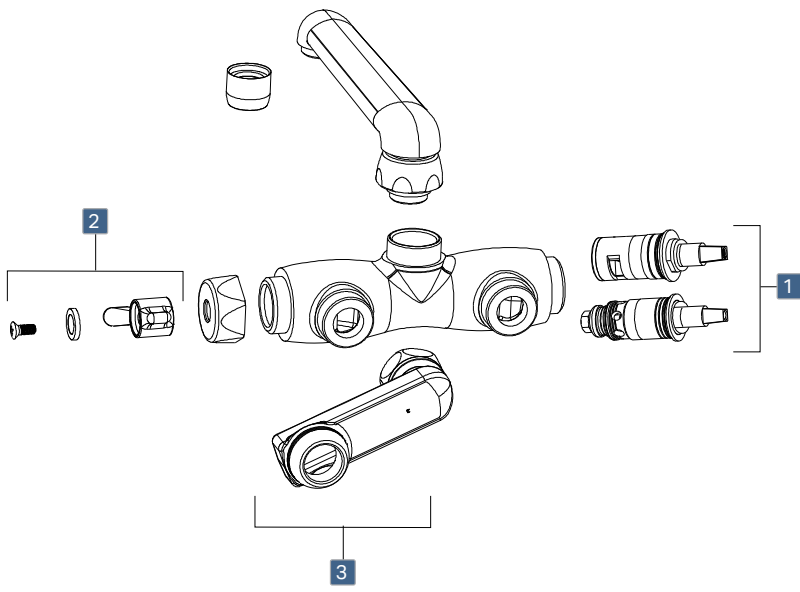
- Adjustable arms with 3" - 8-3/8" centers
- Vandal-resistant lever handles standard
- Ceramic or Quaturn™ compression cartridges
- Polished chrome finish



Model	Arm	Cartridge	Handle	Outlet	Spout
445-ABCP	H	Quaturn	369	E3	S6
445-DJ13ABCP	H	Quaturn	369	E3	DJ13
445-DJ13E1ABCP	H	Quaturn	369	E1	DJ13
445-DJ13E35ABCP	H	Quaturn	369	E35	DJ13
445-DJ13XKABCP	H	Ceramic	369	E3	DJ13
445-DJ18ABCP	H	Quaturn	369	E3	DJ18
445-DJ18E1ABCP	H	Quaturn	369	E1	DJ18
445-DJ18E35ABCP	H	Quaturn	369	E35	DJ18
445-DJ18XKABCP	H	Ceramic	369	E3	DJ18
445-E1ABCP	H	Quaturn	369	E1	S6
445-E35ABCP	H	Quaturn	369	E35	S6
445-GN2AE3ABCP	H	Quaturn	369	E3	GN2A
445-GN8AE3RABCP*	R	Quaturn	369	E3	GN8A
445-L12ABCP	H	Quaturn	369	E3	L12
445-L12E1ABCP	H	Quaturn	369	E1	L12
445-L12E35ABCP	H	Quaturn	369	E35	L12
445-L12RABCP*	R	Quaturn	369	E3	L12

Model	Arm	Cartridge	Handle	Outlet	Spout
445-L12XKABCP	H	Ceramic	369	E3	L12
445-L8ABCP	H	Quaturn	369	E3	L8
445-L8E1ABCP	H	Quaturn	369	E1	L8
445-L8E35ABCP	H	Quaturn	369	E35	L8
445-L8RABCP*	R	Quaturn	369	E3	L8
445-L8XKABCP	H	Ceramic	369	E3	L8
445-L9ABCP	H	Quaturn	369	E3	L9
445-L9E1ABCP	H	Quaturn	369	E1	L9
445-L9E35ABCP	H	Quaturn	369	E35	L9
445-L9RABCP*	R	Quaturn	369	E3	L9
445-LESAAB	-	Quaturn	369	-	-
445-LESAB	H	Quaturn	369	-	-
445-LESHAB	H	Quaturn	-	-	-
445-LESXKAB	H	Ceramic	369	-	-
445-RABCP*	R	Quaturn	369	E3	S6
445-XKABCP	H	Ceramic	369	E3	S6


*With integral stops.



Cartridges

Model	Description
Quaturn™ Compression	
1-099XT	Short stem, right
1-100XT	Short stem, left
Ceramic	
1-099XK	Short stem, right
1-100XK	Short stem, left

Handles

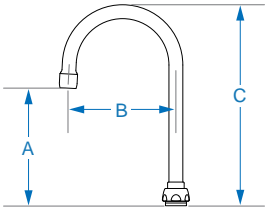
Model	Description
2 369	2-3/8" lever Vandal proof 

Arms

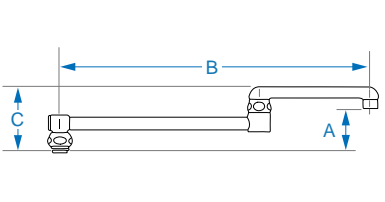
Model	Description
3 H	2-1/2" offset
3 R	2-1/2" offset with integral shutoff stop

Spouts

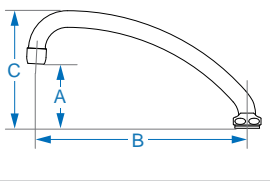
Model	A	B	C	Outlet
Gooseneck Rigid/Swing				
GN2A	6-1/8"	5-1/4"	9-3/4"	Male



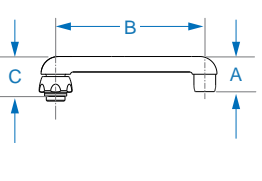
Model	A	B	C	Outlet
Double-Jointed Rigid/Swing				
DJ13	2-1/4"	13"	3-7/8"	Male
DJ18	2-1/4"	17-3/4"	3-7/8"	Male



Model	A	B	C	Outlet
L-Type Rigid/Swing				
L8	2-7/8"	8"	4-3/8"	Male
L9	3-3/4"	9-1/2"	6-1/2"	Male
L12	2-3/8"	12"	4-5/8"	Male



Model	A	B	C	Outlet
S-Type Swing				
S6	1-3/8"	6"	1-5/8"	Male



Outlets

Model	Thread	GPM
Aerated Standard		
E35	13/16" - 24 UNS Female	1.5
E3	13/16" - 24 UNS Female	2.2
Non-Aerated Full Flow		
E1	13/16" - 24 UNS Female	Full



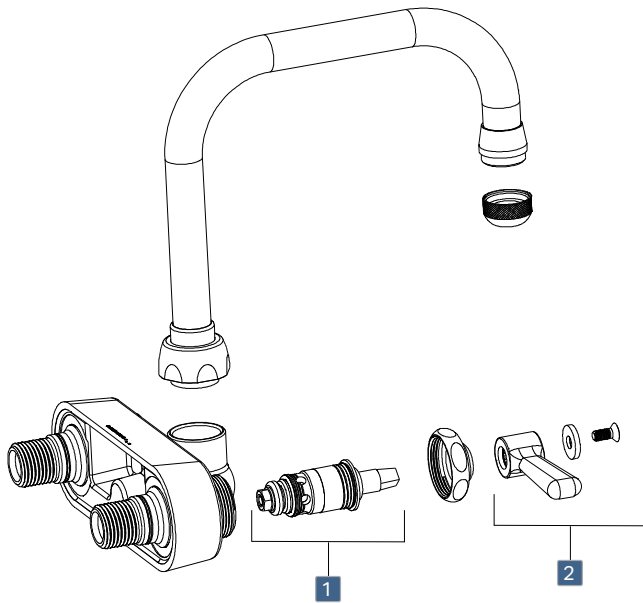
Wall-mounted manual sink faucet

Series: 521

- 4" fixed centers
- Vandal-resistant lever handles standard
- Quatum™ compression cartridges
- Polished chrome finish



Model	Cartridge	Handle	Outlet	Spout
521-ABCP	Quatum	369	E1	DB6A
521-GN2AE1ABCP	Quatum	369	E1	GN2A



Cartridges

Model	Description
Quaturn™ Compression	
1	1-099XT Short stem, right
	1-100XT Short stem, left

Handles

Model	Description
2 369	2-3/8" lever Vandal proof 

Spouts

Model	A	B	C	Outlet
Gooseneck Rigid/Swing				
GN2A	6-1/8"	5-1/4"	9-3/4"	Male

Model	A	B	C	Outlet
Double-Bend Rigid/Swing				
DB6A	3-1/8"	6-1/4"	6-3/8"	Male

Outlets

Model	Thread	GPM
Non-Aerated Full Flow		
E1	13/16" - 24 UNS Female	Full



Wall-mounted manual sink faucet

Series: 540, 631

- 8" fixed centers or adjustable arms
- Vandal-resistant lever or wristblade handles standard
- Ceramic or Quaturn™ compression cartridges
- Polished chrome finish



3" - 13" Adjustable Centers

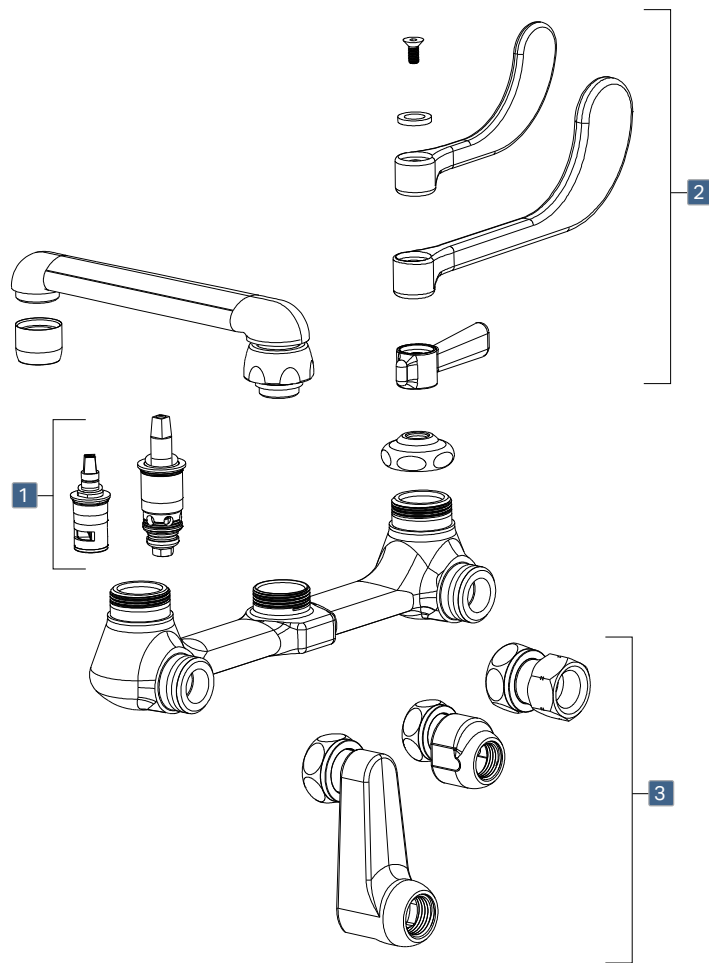
Model	Arm	Cartridge	Handle	Outlet	Spout
540-LDRLESXKAB	R	Ceramic	369	-	-
631-RABCP	R	Quaturn	317	E3	GN1A
631-RE29VPXKABCP	R	Ceramic	317	E29VP	GN1A
631-RGN2AE3ABCP	R	Quaturn	317	E3	GN2A
631-RGN2FCABCP	R	Quaturn	317	-	GN2FC
631-RXKABCP	R	Ceramic	317	E3	GN1A

8" Fixed Centers

Model	Arm	Cartridge	Handle	Outlet	Spout
540-LD317WXFABCP	WXF	Quaturn	317	E3	S6
540-LD897SWXFABCP	WXF	Quaturn	369	-	897-S
540-LDL12E1WXFABCP	WXF	Quaturn	369	E1	L12
540-LDL12WXFABCP	WXF	Quaturn	369	E3	L12
540-LDLESAB	-	Quaturn	369	-	-
540-LDWXFABCP	WXF	Quaturn	369	E3	S6
631-L12WXFABCP	WXF	Quaturn	317	E3	L12

7-1/4" - 8-3/4" Adjustable Centers

Model	Arm	Cartridge	Handle	Outlet	Spout
540-LD317ABCP	G	Quaturn	317	E3	S6
540-LDABCP	G	Quaturn	369	E3	S6
540-LDDJ13ABCP	G	Quaturn	369	E3	DJ13
540-LDDJ18ABCP	G	Quaturn	369	E3	DJ18
540-LDE1ABCP	G	Quaturn	369	E1	S6
540-LDE2805-5ABCP	G	Quaturn	369	E2805-5	S6
540-LDE29ABCP	G	Quaturn	369	E29	S6
540-LDE35ABCP	G	Quaturn	369	E35	S6
540-LDGN1AE3ABCP	G	Quaturn	369	E3	GN1A
540-LDGN2AE3ABCP	G	Quaturn	369	E3	GN2A
540-LDGN8AE3ABCP	G	Quaturn	369	E3	GN8A
540-LDL12ABCP	G	Quaturn	369	E3	L12
540-LDL12E1ABCP	G	Quaturn	369	E1	L12
540-LDL12E35ABCP	G	Quaturn	369	E35	L12
540-LDL12XKABCP	G	Ceramic	369	E3	L12
540-LDL8ABCP	G	Quaturn	369	E3	L8
540-LDL8E1ABCP	G	Quaturn	369	E1	L8
540-LDL8E35ABCP	G	Quaturn	369	E35	L8
540-LDL8XKABCP	G	Ceramic	369	E3	L8
540-LDL9ABCP	G	Quaturn	369	E3	L9
540-LDL9E1ABCP	G	Quaturn	369	E1	L9
540-LDL9E35ABCP	G	Quaturn	369	E35	L9
540-LDL9XKABCP	G	Ceramic	369	E3	L9
540-LDLESAB	H	Quaturn	369	-	-
540-LDLESHAB	H	Quaturn	-	-	-
540-LDLESXKAB	H	Ceramic	369	-	-
540-LDXKABCP	G	Ceramic	369	E3	S6
631-ABCP	G	Quaturn	317	E3	GN1A
631-E29ABCP	G	Quaturn	317	E29	GN1A
631-E35ABCP	G	Quaturn	317	E35	GN1A
631-GN1AE1ABCP	G	Quaturn	317	E1	GN1A
631-GN2AE3ABCP	G	Quaturn	317	E3	GN2A
631-GN2AFCABCP	G	Quaturn	317	-	GN2AFC
631-GN2FCABCP	G	Quaturn	317	-	GN2FC
631-GN8AE3ABCP	G	Quaturn	317	E3	GN8A
631-L12ABCP	G	Quaturn	317	E3	L12
631-L9ABCP	G	Quaturn	317	E3	L9
631-LESAB	G	Quaturn	317	-	-
631-XKABCP	G	Ceramic	317	E3	GN1A



Cartridges

Model	Description
Quaturn™ Compression	
1-099XT	Short stem, right
1-100XT	Short stem, left
Ceramic	
1-099XK	Short stem, right
1-100XK	Short stem, left

Handles

Model	Description	
317	4" wristblade Vandal proof	
319	6" elbow blade Vandal proof	
369	2-3/8" lever Vandal proof	

Arms

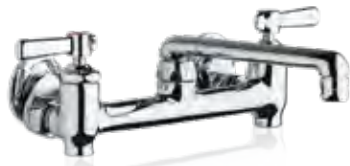
Model	Description
G	3/8" offset
H	2-1/2" offset
R	2-1/2" offset with integral shutoff stop
W XF	Straight 2"

Spouts

Model	A	B	C	Outlet
Double-Jointed Rigid/Swing				
DJ13	2-1/4"	13"	3-7/8"	Male
DJ18	2-1/4"	17-3/4"	3-7/8"	Male
Gooseneck Rigid/Swing				
GN1A	5-7/8"	3-1/2"	8-3/8"	Male
GN2A	6-1/8"	5-1/4"	9-3/4"	Male
GN8A	6"	8"	11-1/4"	Male
Gooseneck 1.5 GPM Laminar Insert				
GN2AFC	6-1/8"	5-1/4"	9-3/4"	Male
GN2FC	6-1/8"	5-1/4"	9-3/4"	Plain
S-Type Swing				
S6	1-3/8"	6"	1-5/8"	Male
L-Type Rigid/Swing				
L8	2-7/8"	8"	4-3/8"	Male
L9	3-3/4"	9-1/2"	6-1/2"	Male
L12	2-3/8"	12"	4-5/8"	Male
Vacuum Breaker Rigid w/ Pail Hook and Pipe Support				
897-S	1-3/8"	5-3/4"	3-1/8"	

Outlets

Model	Thread	GPM
Aerated Standard		
E35	13/16" - 24 UNS Female	1.5
E3	13/16" - 24 UNS Female	2.2
Non-Aerated Full Flow		
E1	13/16" - 24 UNS Female	Full
Non-Aerated Spray Vandal Resistant		
E2805-5	13/16" - 24 UNS Female	0.5
Laminar Vandal Resistant		
E29VP	13/16" - 24 UNS Female	2.2
Laminar Standard		
E29	13/16" - 24 UNS Female	2.2



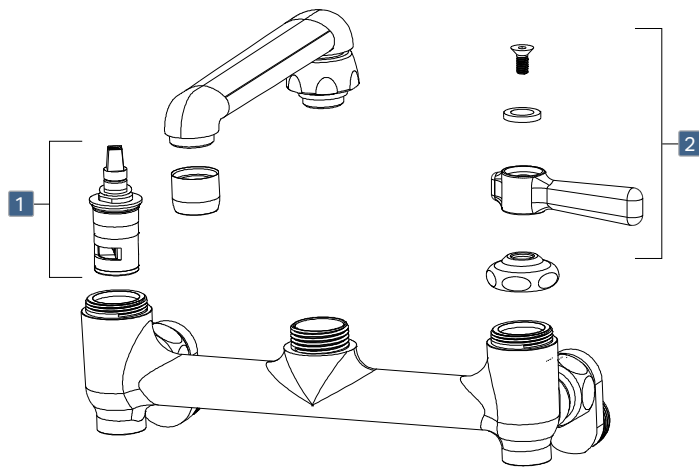
Wall-mounted manual sink faucet
Series: 640

- Adjustable arms with 6-1/4" - 9-3/4" centers
- Integral supply stops
- Vandal-resistant lever handles standard
- Ceramic cartridges
- Polished chrome finish



Model	Cartridge	Handle	Outlet	Spout
640-GN1AE35-369YAB	Ceramic	369	E35	GN1A
640-L12E35-369YAB	Ceramic	369	E35	L12
640-L8E35-369YAB	Ceramic	369	E35	L8


Model	Cartridge	Handle	Outlet	Spout
640-L9E35-369YAB	Ceramic	369	E35	L9
640-LES369YAB	Ceramic	369	-	-
640-S6E35-369YAB	Ceramic	369	E35	S6



Cartridges

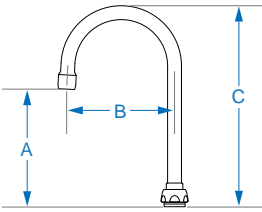
Model	Description
Ceramic	
1	1-099XK Short stem, right
	1-100XK Short stem, left

Handles

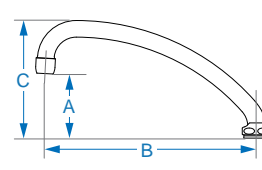
Model	Description	
2	369 2-3/8" lever Vandal proof	

Spouts

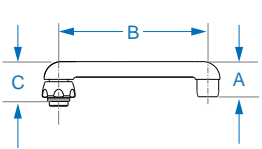
Model	A	B	C	Outlet
Gooseneck Rigid/Swing				
GN1A	5-7/8"	3-1/2"	8-3/8"	Male



Model	A	B	C	Outlet
L-Type Rigid/Swing				
L8	2-7/8"	8"	4-3/8"	Male
L9	3-3/4"	9-1/2"	6-1/2"	Male
L12	2-3/8"	12"	4-5/8"	Male



Model	A	B	C	Outlet
S-Type Swing				
S6	1-3/8"	6"	1-5/8"	Male



Outlets

Model	Thread	GPM
Aerated Standard		
E35	13/16" - 24 UNS Female	1.5



Wall-mounted manual sink faucet

Series: 737

- Adjustable arms with 3" - 8-3/8" centers
- Vandal-resistant lever handles standard
- 6" swing spout with 3/4" hose thread
- Quaturn™ compression cartridges or ceramic cartridges
- Rough chrome finish



Model	Arm	Cartridge	Handle	Outlet	Spout
737-RCF	H	Quaturn	369	E2	S6
737-LESHRCF	H	Quaturn	-	-	-
737-RCF*	H	Ceramic	369	E2	S6

*Not available with CFNow! shipping

Cartridges

Model	Description	
Quaturn™ Compression		
1	1-099XT	Short stem, right
	1-100XT	Short stem, left
	Ceramic With Integrated Check Valve	
	1-099XKC	Short stem, right
1-100XKC	Short stem, left	

Handles

Model	Description
2 369	2-3/8" lever Vandal proof

Arms

Model	Description
3 H	2-1/2" offset

Spouts

Model	A	B	C	Outlet
S-Type Swing				
S6	1-3/8"	6"	1-5/8"	Male

Outlets

Model	Thread	GPM
Hose Thread 3/4" Male Outlet		
E2	13/16" - 24 UNS Female	Full

Remote Valves and Spouts





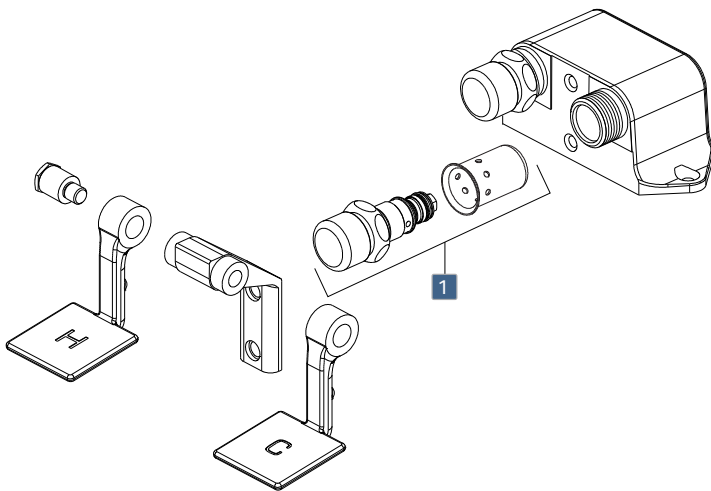
Foot operated remote valve

Series: 625, 628

- NAIAD metering cartridge with choice of fast or adjustable cycle time closure
- 1/2" NPT female thread inlets
- 3/8" NPT or 1/2" NPT female thread outlet
- Polished chrome finish



Model	Cycle Time	Pedal	Supply
625-ABCP	Fast	Short	Dual
625-LPABCP	Fast	Long	Dual
625-LPSLOABCP	Adjustable	Long	Dual
625-SLOABCP	Adjustable	Short	Dual
628-ABCP	Fast	Short	Single



Cartridges

Model	Description
NAIAD Metering	
1	628-X Fast cycle time closure
	628-XSLO Adjustable cycle time closure



Foot operated remote valve

Series: 806, 834

- NAIAD metering cartridge with choice of fast or adjustable cycle time closure
- 1/2" NPT female thread inlets and 3/8" NPT or 1/2" NPT Outlets
- Supply stops with slow compression cartridges
- Locking feature to keep pedals in a raised position
- Polished chrome finish



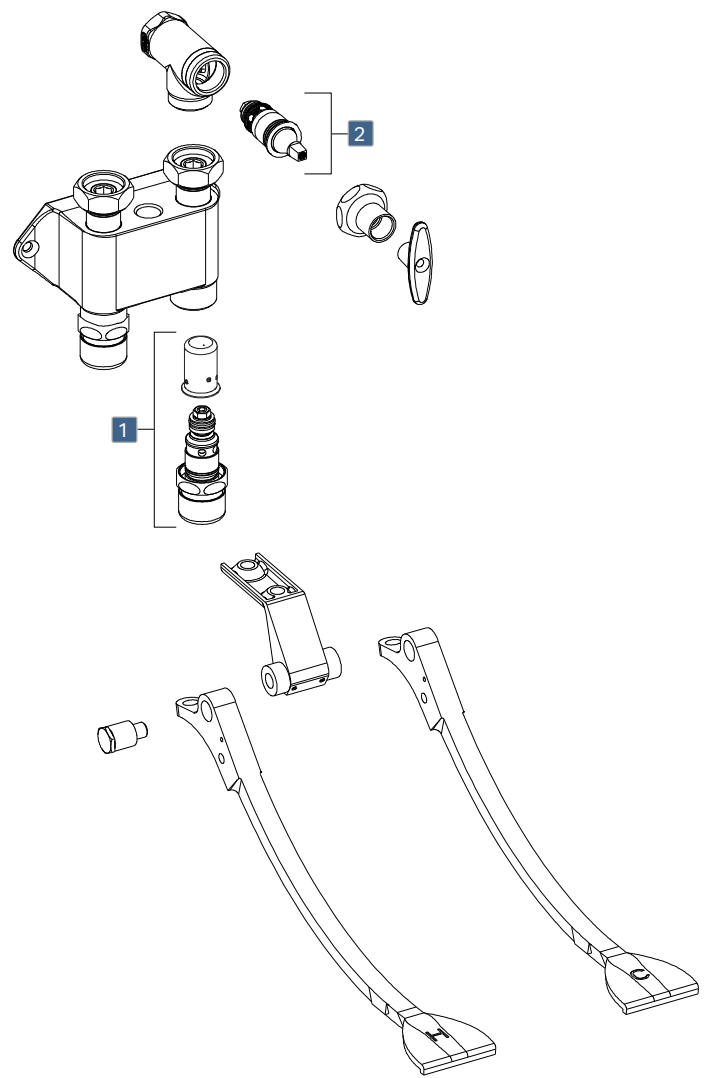
Model	Cycle Time	Pedal	Supply
806-ABCP	Fast	Long	Single
834-EPABCP	Fast	Long	Dual
834-EPSLOABCP	Adjustable	Long	Dual

Pedal Cartridges

Model	Description
NAIAD Metering	
1	625-X Fast cycle time closure
	625-XSLO Adjustable cycle time closure

Stop Cartridges

Model	Description
Slow Compression	
2	217-XTLH Left hand





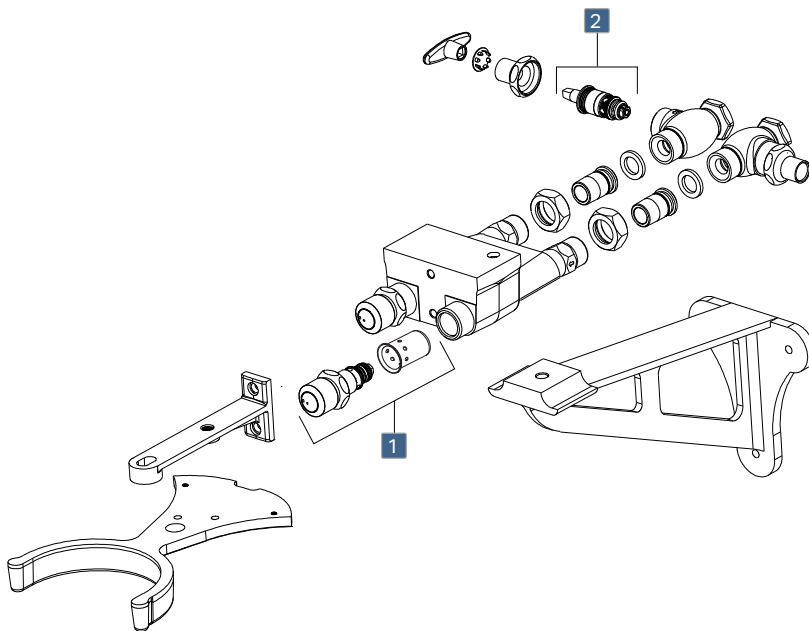
Knee operated remote valve

Series: 745

- Cam type cartridge with fast cycle time closure
- 1/2" NPT female thread inlets
- 3/8" NPT female thread outlet
- Supply stops with slow compression cartridges
- Polished chrome finish



Model	Cycle Time	Supply
745-VOABCP	Fast	Dual



Pedal Cartridges

Model	Description
1	Cam Type
	745-X Fast cycle time closure

Stop Cartridges

Model	Description
2	Slow Compression
	217-XTLH Left hand

Straight or angle remote valve

Series: 770, 1771



- Slow compression or metering cartridge
- 1/2" NPT female thread inlets and outlets
- Push metering handle or vandal proof 2-1/4" tee handle
- Polished chrome finish





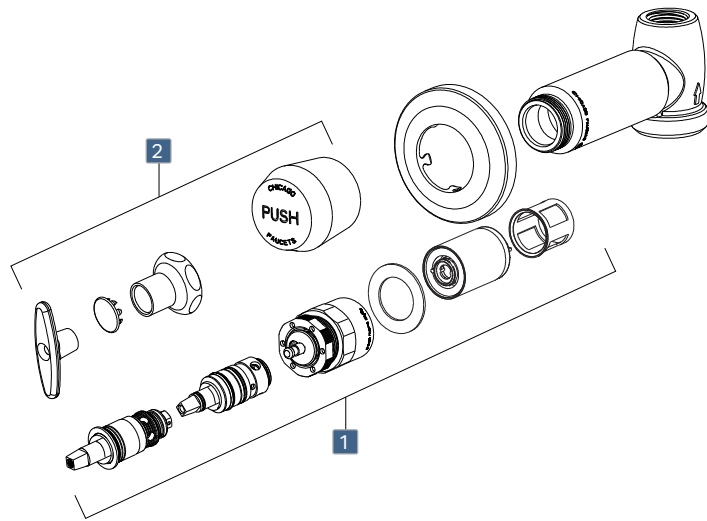
Model	Cartridge
770-665PSHCP	667-080K
1771-ABCP	217-XTLH
1771-CABCP	376-CX

Cartridges

Model	Description
1	Metering
	667-080K Actuator Assembly, Valve
	Compression
	217-XTLH Left hand
376-CX With integral check	

Handles

Model	Description	
2	665 1-3/4" MVP metering push handle	
	293-006 2-1/4" tee handle	

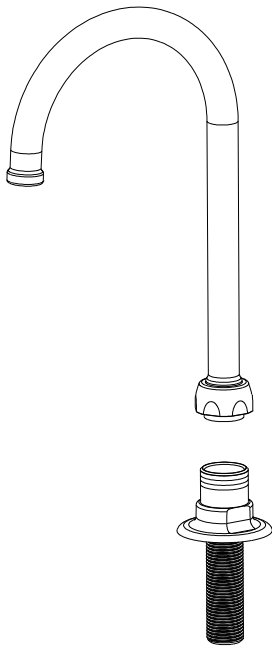




Remote spout

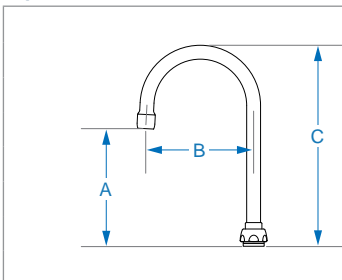
Series: 626, 629

- Single hole
- Choice of wall or deck mount
- Gooseneck design
- Available with laminar flow control spout insert
- Polished chrome finish



Model	Mount	Outlet	Spout
626-ABCP	Deck	-	GN2
626-E3ABCP	Deck	E3	GN2A
626-FCABCP	Deck	-	GN2FC
626-GN8FCABCP	Deck	-	GN8FC
629-E3ABCP	Wall	E3	GN1A

Spouts



Model	A	B	C	Outlet
Gooseneck Rigid/Swing				
GN1A	5-7/8"	3-1/2"	8-3/8"	Male
GN2	5-5/8"	5-1/4"	9-3/4"	Plain
GN2A	6-1/8"	5-1/4"	9-3/4"	Male
Gooseneck 1.5 GPM Laminar Insert				
GN2FC	6-1/8"	5-1/4"	9-3/4"	Plain
GN8FC	6-1/8"	8"	11-1/4"	Plain

Outlets

Model	Thread	GPM
Aerated Standard		
E3	13/16" - 24 UNS Female	2.2

Food Service Workboard, Pre-Rinse, Fillers, and Drains





Deck-mounted workboard faucets

Series: W4D, W8D

- 1/2" NPSM supply inlets
- Choice of 4" or 8" centers
- Vandal-resistant lever or wristblade handles standard
- Ceramic cartridges
- Polished chrome finish

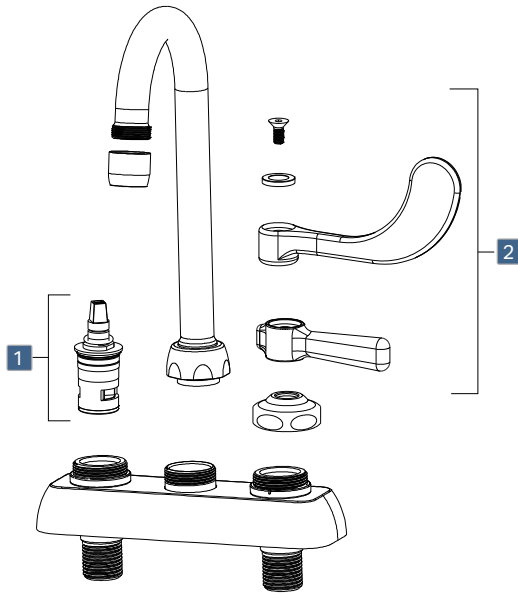


8" Centers

Model	Cartridge	Handle	Outlet	Spout
W8D-LES317AB	Ceramic	317	-	-
W8D-LES369AB	Ceramic	369	-	-

4" Centers

Model	Cartridge	Handle	Outlet	Spout
W4D-GN2AE1-317ABCP	Ceramic	317	E1	GN2A
W4D-GN2AE1-369ABCP	Ceramic	369	E1	GN2A
W4D-L9E1-317ABCP	Ceramic	317	E1	L9
W4D-L9E1-369AB	Ceramic	369	E1	L9
W4D-L9E35-317ABCP	Ceramic	317	E35	L9
W4D-L9E35-369AB	Ceramic	369	E35	L9
W4D-LES317AB	Ceramic	317	-	-
W4D-LES369AB	Ceramic	369	-	-



Cartridges

Model	Description
Ceramic	
1	1-099XK Short stem, right
	1-100XK Short stem, left

Handles

Model	Description	
2	317 4" wristblade Vandal proof	
	369 2-3/8" lever Vandal proof	

Spouts

Model	A	B	C	Outlet
Gooseneck Rigid/Swing				
GN2A	6-1/8"	5-1/4"	9-3/4"	Male

Model	A	B	C	Outlet
L-Type Rigid/Swing				
L9	3-3/4"	9-1/2"	6-1/2"	Male

Outlets

Model	Thread	GPM
Non-Aerated Full Flow		
E1	13/16" - 24 UNS Female	Full
Aerated Standard		
E35	13/16" - 24 UNS Female	1.5



Wall-mounted workboard faucets

Series: W4W, W8W

- 1/2" NPSM supply inlets
- Choice of 4" or 8" centers
- Vandal-resistant lever or wristblade handles standard
- Ceramic cartridges
- Polished chrome finish



4" Centers

Model	Cartridge	Handle	Outlet	Spout
W4W-G2E35-369AB	Ceramic	369	E35	GN2A
W4W-GN2AE1-369AB	Ceramic	369	E1	GN2A
W4W-L9E1-317AB	Ceramic	317	E1	L9
W4W-L9E1-369AB	Ceramic	369	E1	L9
W4W-L9E35-317AB	Ceramic	317	E35	L9
W4W-L9E35-369AB	Ceramic	369	E35	L9
W4W-LES317AB	Ceramic	317	-	-
W4W-LES369AB	Ceramic	369	-	-

8" Centers

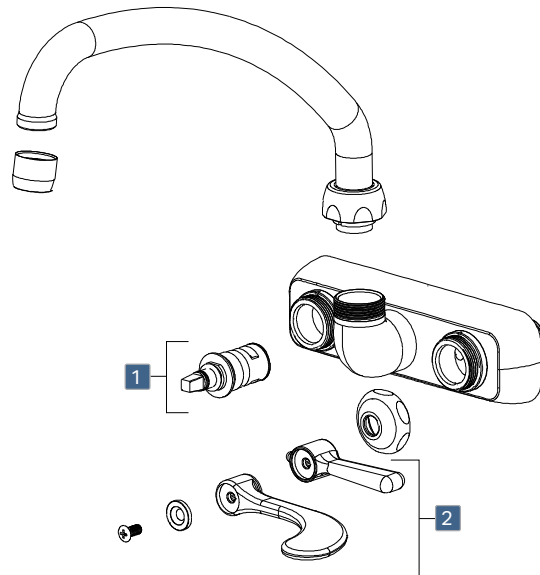
Model	Cartridge	Handle	Outlet	Spout
W8W-L9E1-369AB	Ceramic	369	E1	L9
W8W-L9E35-369AB	Ceramic	369	E35	L9
W8W-LES317AB	Ceramic	317	-	-
W8W-LES369AB	Ceramic	369	-	-

Cartridges

Model	Description
Ceramic	
1	1-099XK Short stem, right
	1-100XK Short stem, left

Handles

Model	Description	
2	317 4" wristblade Vandal proof	
	369 2-3/8" lever Vandal proof	



Spouts

Model	A	B	C	Outlet
Gooseneck Rigid/Swing				
GN2A	6-1/8"	5-1/4"	9-3/4"	Male

Model	A	B	C	Outlet
L-Type Rigid/Swing				
L9	3-3/4"	9-1/2"	6-1/2"	Male

Outlets

Model	Thread	GPM
Non-Aerated Full Flow		
E1	13/16" - 24 UNS Female	Full
Aerated Standard		
E35	13/16" - 24 UNS Female	1.5





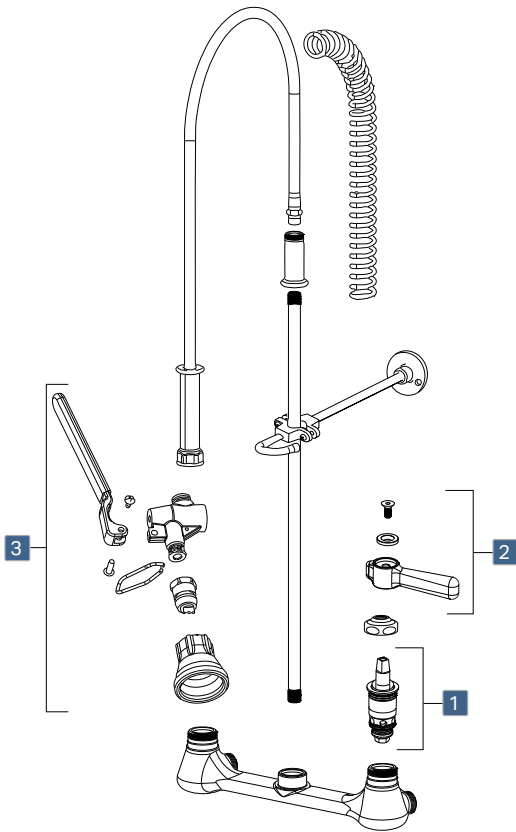
Wall-mounted pre-rinse faucet

Series: 510

- Adjustable arms 7-1/4" - 8-3/4" centers
- 2-5/16" diameter slip flange
- Vandal-resistant lever handles standard
- Ceramic cartridges with integrated check valve
- Polished chrome finish



Model	Cartridge	Handle	Spray
510-GXKCAB	Ceramic	369	90-L



Cartridges

Model	Description
Ceramic With Integrated Check Valve	
1 1-099XKC	Short stem, right
1-100XKC	Short stem, left

Handles

Model	Description
2 369	2-3/8" lever Vandal proof

Spray

Model	Description	GPM
3 90-L	Pre-rinse spray valve water conserving	1.0



Wall-mounted mini pre-rinse faucet

Series: 523

- Less than half the height of a conventional pre-rinse
- Adjustable arms 7-1/4" - 8-3/4" centers
- Choice of vandal-resistant lever or wristblade handles
- Ceramic cartridges with integrated check valve
- Polished chrome finish

**BUY
AMERICAN
ACT
COMPLIANT**



ECAST

Model	Cartridge	Handle	Spray
523-317ABCP	Ceramic	317	90-L
523-369ABCP	Ceramic	369	90-L

Cartridges

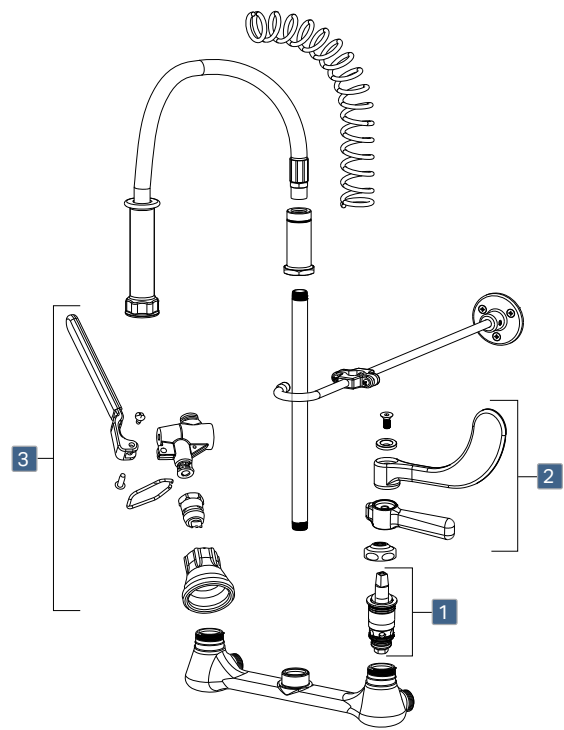
Model	Description
Ceramic With Integrated Check Valve	
1 1-099XKC	Short stem, right
1-100XKC	Short stem, left

Handles

Model	Description		
2	317	4" wristblade Vandal proof	
	369	2-3/8" lever Vandal proof	

Spray

Model	Description	GPM
3 90-L	Pre-rinse spray valve water conserving	1.0





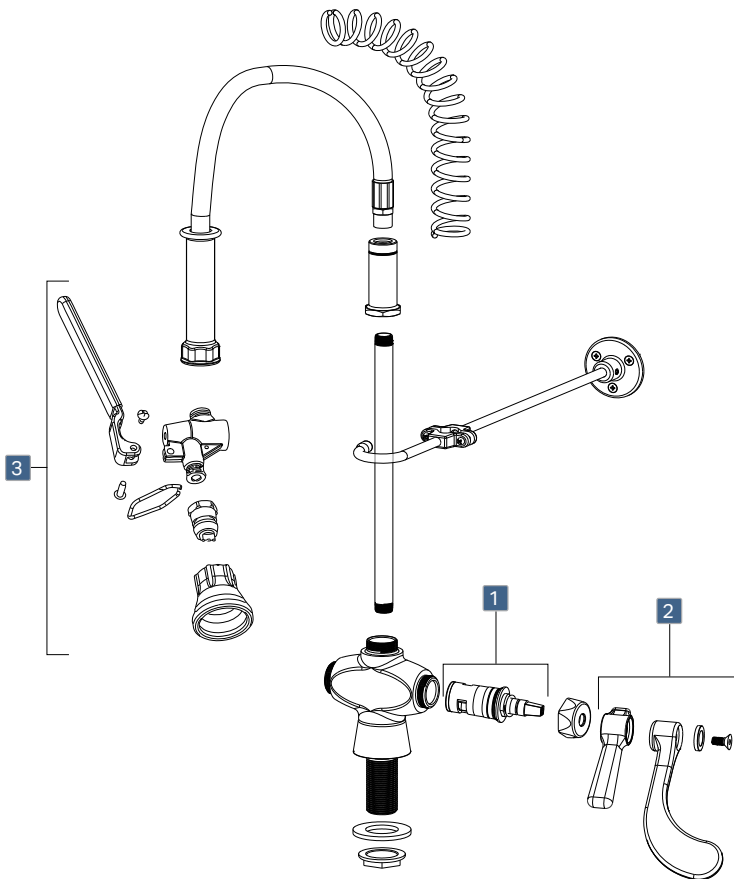
Deck-mounted mini pre-rinse faucet

Series: 924

- Less than half the height of a conventional pre-rinse
- Single hole
- Choice of vandal-resistant lever or wristblade handles
- Ceramic cartridges with integrated check valve
- Polished chrome finish



Model	Cartridge	Handle	Spray
924-317ABCP	Ceramic	317	90-L
924-369ABCP	Ceramic	369	90-L



Cartridges

Model	Description
Ceramic With Integrated Check Valve	
1 1-099XKC	Short stem, right
1-100XKC	Short stem, left

Handles

Model	Description	
2	317 4" wristblade Vandal proof	
	369 2-3/8" lever Vandal proof	

Spray

Model	Description	GPM
3 90-L	Pre-rinse spray valve water conserving	1.0

Adapta-Faucet for pre-rinse applications

Series: 613



- Add a single-handle manual sink faucet to a pre-rinse fitting
- Single hole
- Vandal-resistant lever handle standard
- Quatum™ compression cartridge
- Quixtop outlet with single screen design, full flow
- Polished chrome finish



Model	Cartridge	Handle	Outlet	Spout
613-AABCP	Quatum	369	E1	L9
613-AL12E1ABCP	Quatum	369	E1	L12

Cartridges

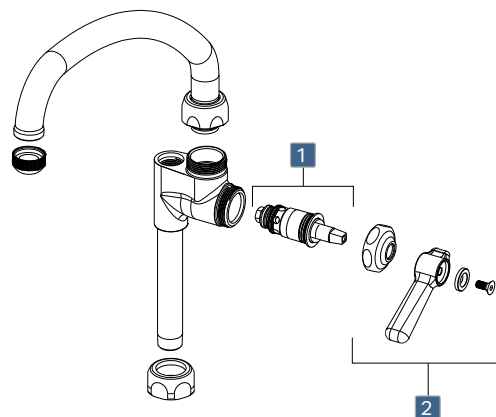
Model	Description
1	Ceramic With Integrated Check Valve
1-099XT	Short stem, right

Handles

Model	Description
2	2-3/8" lever Vandal proof

Spouts

Model	A	B	C	Outlet
L-Type Rigid/Swing				
L9	3-3/4"	9-1/2"	6-1/2"	Male
L12	2-3/8"	12"	4-5/8"	Male



Pre-Rinse assembly and spray

Combine the Adapta-Faucet with everything shown here to add a pre-rinse and Adapta-Faucet assembly to an existing faucet.



Model	Description
919-014	Spring
919-039	Riser, 3/8-18 NPT x 23"
83-29	29" stainless steel hose and handle assembly
83-44	44" stainless steel hose and handle assembly
902-MH	Pipe strap with hook
90-L	Pre-rinse spray valve water conserving
For mini pre-rinse	
83-23	23" stainless steel hose and handle assembly
685-026	Riser, 3/8-18 NPT x 11-5/8" for mini pre-rinse
924-SLEAABCP	Complete mini pre-rinse riser assembly*

*Does not include 90-L pre-rinse spray valve.



Glass Filler with coated push handle

Series: 312, 710, 712, 714

- Single-hole with choice of wall or deck mount
- All-brass piston valve
- Integral, one-piece spout
- Adjustable volume control
- Coated metal handle with locking clip
- Polished chrome finish



Model	Cartridge	Handle	Mount
312-ABCP	–	712-002K	Wall
710-ABCP	–	712-002K	Deck, 12"
712-ABCP	–	712-002K	Deck, 7-7/8"
714-ABCP	–	712-002K	Deck, 4"



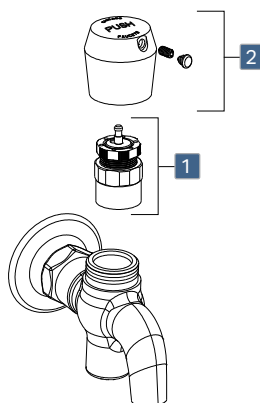
Glass Filler with adjustable metering valve

Series: 324

- Single-hole wall mount
- MVP metering cartridge, adjustable run time from 2 to 25 seconds
- 1-3/4" vandal-proof, push handle
- 1/2" NPT female thread inlet
- Polished chrome finish




Model	Cartridge	Handle	Mount
324-665PSHABCP	MVP	665	Wall



Cartridge

Model	Description
1	Metering
	667-080K MVP cartridge and actuator

Handles

Model	Description
2 665	1-3/4" MVP metering push handle 



Pot Filler Series: 332, 515

- Single-hole wall mount
- Vandal-resistant lever handles standard
- Quatum cartridge
- Polished chrome finish



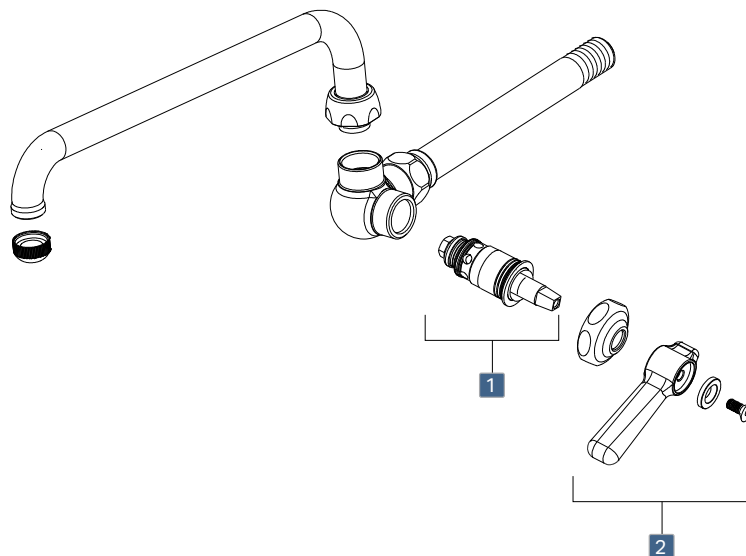
Wok Filler Series: 334



Model	Cartridge	Handle	Outlet	Spout
332-ABCP	Quatum	369	E3	S6
515-ABCP	Quatum	269	E31	DJ18
334-ABCP	Quatum	369	E1	L12

Cartridges

Model	Description
1	Ceramic
	1-099XK Short stem, right



Handles

Model	Description	
2	269 2-3/8" heat-resistant lever handle	
	369 2-3/8" lever handle	

Spouts

Model	A	B	C	Outlet
Double-Jointed Rigid/Swing				
DJ18	2-1/4"	17-3/4"	3-7/8"	Male

Model	A	B	C	Outlet
S-Type Swing				
S6	1-3/8"	6"	1-5/8"	Male

Model	A	B	C	Outlet
L-Type Rigid/Swing				
L12	2-3/8"	12"	4-5/8"	Male

Outlets

Model	Thread	GPM
Aerated Standard		
E3	13/16" - 24 UNS Female	2.2
Non-Aerated Full Flow		
E1	13/16" - 24 UNS Female	Full
Control Valve Full Flow		
E31	13/16" - 24 UNS Female	Full





Twist Drain with coated handle

Series: 1366

- For 3-1/2" sink opening
- 1-1/2" NPT male/female or 2" NPT male thread outlet



Model	Description
1366-NF	Twist drain



Rotary Drain with coated handle

Series: 1367

- For 3-1/2" sink opening
- Includes internal plug valve
- 1-1/2" NPT male/female or 2" NPT male thread outlet



Model	Description
1367-NF	Rotary drain

Tub/Shower



Pressure Balance shower system Series: 1910

- Pressure balancing valve
- Round trim plate
- Integral service stops with checks to prevent cross flow
- 1/2" nominal copper and 1/2" NPT hot and cold supply inlets and outlets
- Available with choice of shower heads, hand showers, slide/grab bars
- Polished chrome



Valve and Trim

Part Number	Description
1910-VONF	Valve Only
SH-PB1-00-000	Valve with Trim
1910-002KJKCP	Trim Kit Only



With Shower Head

Part Number	Description
SH-PB1-01-000	Adjustable pattern, 2.5 GPM (600-CP)
SH-PB1-02-000	Swivel mount, 2.5 GPM (620-CP)
SH-PB1-03-000	Swivel mount, 1.5 GPM (620-LCP)
SH-PB1-04-000	Ligature resistant, 2.0 GPM (621-CP)
SH-PB1-05-000	Ligature resistant, 1.5 GPM (621-LCP)
SH-PB1-06-000	Adjustable pattern, 2.5 GPM (622-CP)
SH-PB1-07-000	Adjustable pattern, 1.5 GPM (622-LCP)



With ADA Grab Bar

Part Number	Description	Shower Head	Hand Spray	Hose	Diverter	Grab Bar
SH-PB1-00-013	Hand spray only	n/a	2.5 GPM	59" stainless steel	n/a	24"
SH-PB1-00-024	Hand spray only	n/a	2.5 GPM	69" stainless steel	n/a	36"
SH-PB1-00-033	Hand spray only	n/a	1.5 GPM	59" stainless steel	n/a	24"
SH-PB1-00-044	Hand spray only	n/a	1.5 GPM	69" stainless steel	n/a	36"
SH-PB1-11-013	Shower head and hand spray	2.5 GPM (600-CP)	2.5 GPM	59" stainless steel	Valve and trim	24"
SH-PB1-11-024	Shower head and hand spray	2.5 GPM (600-CP)	2.5 GPM	69" stainless steel	Valve and trim	36"



With Slide Bar

Part Number	Description	Shower Head	Hand Spray	Hose	Diverter	Grab Bar
SH-PB1-00-011	Hand spray only	n/a	2.5 GPM	59" stainless steel	n/a	24"
SH-PB1-00-022	Hand spray only	n/a	2.5 GPM	69" stainless steel	n/a	48"
SH-PB1-00-031	Hand spray only	n/a	1.5 GPM	59" stainless steel	n/a	24"
SH-PB1-00-042	Hand spray only	n/a	1.5 GPM	69" stainless steel	n/a	48"
SH-PB1-11-011	Shower head and hand spray	2.5 GPM (600-CP)	2.5 GPM	59" stainless steel	Valve and trim	24"
SH-PB1-11-022	Shower head and hand spray	2.5 GPM (600-CP)	2.5 GPM	69" stainless steel	Valve and trim	48"




Thermostatic/Pressure Balancing shower system

Series: 1920

- Provides protection against changes in both pressure and temperature
- Advanced thermal actuator technology
- Maintains a consistent temperature
- Available with a choice of square or round trim
- Polished chrome finish






Valve and Trim

	Part Number	Description
	1920-VONF	Valve Only
	1920-VOCRCP	Valve with Trim
	SH-PB1-00-000	Trim Kit Only
	1920-VOC401RCP	Valve with Trim
	SH-TK7-00-000	Trim Kit Only
	1920-VOCSCP	Valve with Trim
	SH-TK2-00-000	Trim Kit Only




With Shower Head



	Part Number	Description
	SH-TP1-01-000	Adjustable pattern, 2.5 GPM (600-CP)
	SH-TP1-02-000	Swivel mount, 2.5 GPM (620-CP)
	SH-TP1-06-000	Adjustable pattern, 2.5 GPM (622-CP)
	SH-TP7-01-000	Adjustable pattern, 2.5 GPM (600-CP)
	SH-TP7-06-000	Adjustable pattern, 2.5 GPM (622-CP)
	SH-TP2-01-000	Adjustable pattern, 2.5 GPM (600-CP)
	SH-TP2-02-000	Swivel mount, 2.5 GPM (620-CP)




With ADA Grab Bar



	Part Number	Description	Hand Spray	Hose	Grab Bar
	SH-TP1-00-013	Hand spray only	2.5 GPM	59" stainless steel	24"
	SH-TP1-00-024	Hand spray only	2.5 GPM	69" stainless steel	36"
	SH-TP7-00-013	Hand spray only	2.5 GPM	59" stainless steel	24"
	SH-TP7-00-024	Hand spray only	2.5 GPM	69" stainless steel	36"
	SH-TP2-00-013	Hand spray only	2.5 GPM	59" stainless steel	24"
	SH-TP2-00-024	Hand spray only	2.5 GPM	69" stainless steel	36"

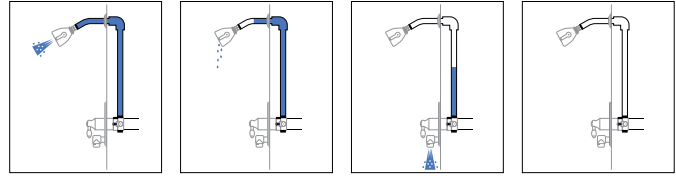
With Slide Bar



	Part Number	Description	Hand Spray	Hose	Grab Bar
	SH-TP1-00-011	Hand spray only	2.5 GPM	59" stainless steel	24"
	SH-TP1-00-022	Hand spray only	2.5 GPM	69" stainless steel	48"
	SH-TP7-00-011	Hand spray only	2.5 GPM	59" stainless steel	24"
	SH-TP7-00-022	Hand spray only	2.5 GPM	69" stainless steel	48"
	SH-TP2-00-011	Hand spray only	2.5 GPM	59" stainless steel	24"
	SH-TP2-00-022	Hand spray only	2.5 GPM	69" stainless steel	48"

The Auto-Drain™ Shower System

Our Auto-Drain™ system is designed to help reduce stagnant water in the valve, pipes, and hoses of the shower system. Drains integrated into the valve and hand spray hose remove water from the system after each use.

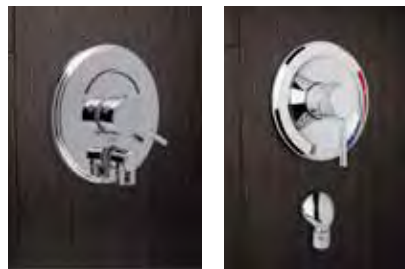


- a** **Shower Valve With Scald Protection**
Provides protection from scalding and thermal shocks by monitoring water temperature and/or pressure.
- b** **Auto-Drain™**
When shower is shut off, water drains automatically from the valve in less than a minute.
- c** **Diverter Valve**
Allows user to switch between shower head and hand shower.
- d** **Auto-Drain™ Hand Spray and Hose**
After each use, water is drained automatically from the spray and hose.*

Valve and trim options

The automatic drain shower system includes a choice of two valve and five trim designs and an integrated or separate drain valve.

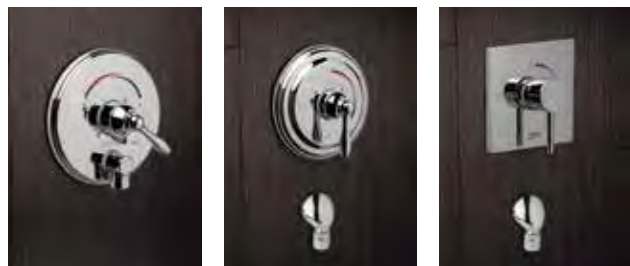
Pressure Balancing Shower Valves



Round with integrated valve drain

Round with separate valve drain

Thermostatic/Pressure Balancing Valves



Round with integrated valve drain

Round with separate valve drain

Square with separate valve drain

*Wall elbow must be level with base of hand spray to drain properly.

See it in action.
chicagofaucets.com/autodrain



Auto-Drain™ Pressure Balancing shower system With Choice of Integrated or Separate Drain

- Designed to remove water from the system after each use
- Helps reduce stagnant water in valve, pipes, and hoses of the shower system
- Available with a choice of integrated drain or separate drain
- Maintains a consistent temperature
- Integral service stops with checks to prevent cross flow
- Polished chrome finish



Valve and Trim

	Part Number	Description
	1911-VONF	Valve Only
	1911-VOCCP	Valve with Trim
	SH-TK6-00-000	Trim Kit Only
	1910-VONF	Valve Only
	SH-PB1-00-000	Valve with Trim
	1910-002KJKCP	Trim Kit Only

With Shower Head



	Part Number	Description
	SH-PB4-03-000	Adjustable pattern, 1.5 GPM (600-LCP)
	SH-PB4-05-000	Ligature resistant, 1.5 GPM (621-LCP)
	SH-PB4-07-000	Adjustable pattern, 1.5 GPM (622-LCP)
	SH-PB5-03-000	Adjustable pattern, 1.5 GPM (600-LCP)

With ADA Grab Bar



	Part Number	Description	Hand Spray	Hose	Grab Bar
	SH-PB4-00-043	Hand spray only	1.5 GPM	69.5" stainless steel	24"
	SH-PB4-00-044	Hand spray only	1.5 GPM	69.5" stainless steel	36"
	SH-PB5-00-044	Hand spray only	1.5 GPM	69.5" stainless steel	36"

With Slide Bar



	Part Number	Description	Shower Head	Hand Spray	Hose	Grab Bar
	SH-PB4-00-041	Hand spray only	n/a	1.5 GPM	69.5" stainless steel	24"
	SH-PB4-00-042	Hand spray only	n/a	1.5 GPM	69.5" stainless steel	48"
	SH-PB5-37-042	Hand spray and shower head	Adjustable pattern, 1.5 GPM (622-LCP)	1.5 GPM	69.5" stainless steel	48"

Auto-Drain™ Thermostatic/Pressure Balancing shower system With Integrated Drain

- Designed to remove water from the system after each use
- Helps reduce stagnant water in valve, pipes, and hoses of the shower system
- Thermostatic and pressure balancing for extra scald protection
- Integral service stops with checks to prevent cross flow
- Polished chrome finish



Valve and Trim



Part Number	Description
1921-VONF	Valve Only
1921-VOCCP	Valve with Trim
SH-TK4-00-000	Trim Kit Only



With Shower Head

Part Number	Description
SH-TP4-01-000	Adjustable pattern, 2.5 GPM (600-CP)
SH-TP4-02-000	Swivel mount, 2.5 GPM (620-CP)
SH-TP4-04-000	Ligature resistant, 2.0 GPM (621-CP)
SH-TP4-06-000	Adjustable pattern, 2.5 GPM (622-CP)

With ADA Grab Bar



Part Number	Description	Shower Head	Hand Spray	Hose	Diverter	Grab Bar
SH-TP4-00-023	Hand spray only	n/a	2.5 GPM	69.5" stainless steel	n/a	24"
SH-TP4-00-024	Hand spray only	n/a	2.5 GPM	69.5" stainless steel	n/a	36"
SH-TP4-21-023	Shower head and hand spray	2.5 GPM (600-CP)	2.5 GPM	69.5" stainless steel	Valve and trim	24"
SH-TP4-21-024	Shower head and hand spray	2.5 GPM (600-CP)	2.5 GPM	69.5" stainless steel	Valve and trim	36"

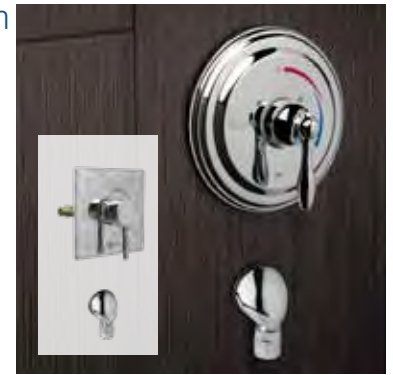
With Slide Bar



Part Number	Description	Shower Head	Hand Spray	Hose	Diverter	Grab Bar
SH-TP4-00-021	Hand spray only	n/a	2.5 GPM	69.5" stainless steel	n/a	24"
SH-TP4-00-022	Hand spray only	n/a	2.5 GPM	69.5" stainless steel	n/a	48"
SH-TP4-22-021	Shower head and hand spray	2.5 GPM (620-CP)	2.5 GPM	69.5" stainless steel	Valve and trim	24"
SH-TP4-22-022	Shower head and hand spray	2.5 GPM (620-CP)	2.5 GPM	69.5" stainless steel	Valve and trim	48"

Auto-Drain™ Thermostatic/Pressure Balancing shower system With Separate Drain

- Designed to remove water from the system after each use
- Helps reduce stagnant water in valve, pipes, and hoses of the shower system
- Thermostatic and pressure balancing for extra scald protection
- Integral service stops with checks to prevent cross flow
- Choice of round or square trim
- Polished chrome finish



Valve and Trim



Part Number	Description
1920-VONF	Valve Only
1920-VOCRCP	Valve with Round Trim
1920-VOCSCP	Valve with Square Trim
SH-TK1-00-000	Trim Kit Only, Round
SH-TK2-00-000	Trim Kit Only, Square

With Shower Head



Part Number	Trim	Description
SH-TP5-01-000	Round	Adjustable pattern, 2.5 GPM (600-CP)
SH-TP5-06-000	Round	Adjustable pattern, 2.5 GPM (622-CP)
SH-TP6-01-000	Square	Adjustable pattern, 2.5 GPM (600-CP)
SH-TP6-06-000	Square	Adjustable pattern, 2.5 GPM (622-CP)

With ADA Grab Bar



Part Number	Trim	Description	Shower Head	Hand Spray	Hose	Diverter	Grab Bar
SH-TP6-00-023	Round	Hand spray only	n/a	2.5 GPM	69.5" stainless steel	n/a	24"
SH-TP5-00-024	Square	Hand spray only	n/a	2.5 GPM	69.5" stainless steel	n/a	36"
SH-TP5-21-023	Round	Shower head, hand spray	2.5 GPM (600-CP)	2.5 GPM	69.5" stainless steel	Valve and trim	24"
SH-TP6-31-024	Square	Shower head, hand spray	2.5 GPM (600-CP)	2.5 GPM	69.5" stainless steel	Valve and trim	36"

With Slide Bar



Part Number	Trim	Description	Shower Head	Hand Spray	Hose	Diverter	Grab Bar
SH-TP5-00-021	Round	Hand spray only	n/a	2.5 GPM	69.5" stainless steel	n/a	24"
SH-TP6-00-022	Square	Hand spray only	n/a	2.5 GPM	69.5" stainless steel	n/a	48"
SH-TP5-21-021	Round	Shower head, hand spray	2.5 GPM (600-CP)	2.5 GPM	69.5" stainless steel	Valve and trim	24"
SH-TP6-31-022	Square	Shower head, hand spray	2.5 GPM (600-CP)	2.5 GPM	69.5" stainless steel	Valve and trim	48"

Ligature Resistant shower system

Series: 1920

- Rounded, sloped design minimizes ligature points
- Tamper resistant screws
- Provides protection against changes in both pressure and temperature
- Solid brass construction to withstand abuse
- Sloped, low profile shower head design with no armre
- Shower head is anchored to wall with four tamper resistant screws



Valve and Trim



Part Number	Description
1920-VONF	Valve Only
1920-VOCLRCP	Valve with Trim
SH-TK8-00-000	Trim Kit Only



With Shower Head

Part Number	Description
SH-TP8-04-000	Ligature resistant, 2.0 GPM (621-CP)

TempShield® thermostatic/pressure balancing shower valve

Series: 2500

- Provides protection against changes in both pressure and temperature
- Advanced thermal actuator technology
- Maintains a consistent temperature
- Includes trim
- Polished chrome finish



Part Number	Description
2500-VOCCP	TempShield® thermostatic/pressure balancing shower fitting with showerhead and diverter tub spout options

Two-Handle tub/shower

Series: 449

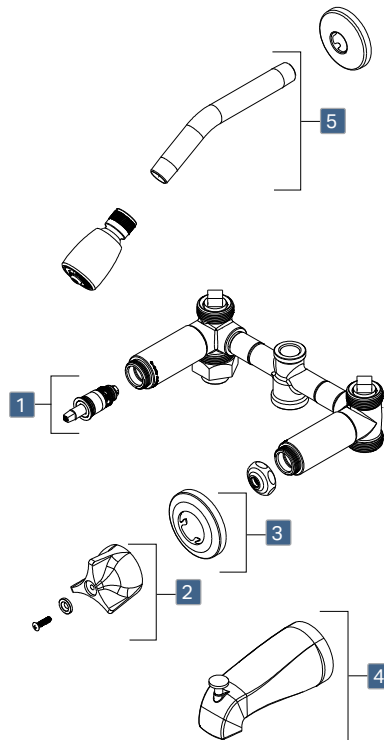
- Concealed, wall-mount with 8" centers
- Tub spout with diverter
- Dual 2-1/2" metal, 3-wing, canopy handles
- Slow compression cartridges
- Polished chrome finish
- **Must be installed with an ASSE 1016 compliant thermostatic valve**



Part Number	Description	Cartridge	Handles	Shower	Tub Spout
449-950CP	Tub, Shower, Arm, and Flange	Slow Compression	950	620	749-S

Parts/Components

Model	Description
1 217-XTLH	Slow compression cartridge
2 950-PR	3-wing handles
3 633-201	Flange
4 749-S	Tub Spout
5 415-021	Shower Arm



Shower Heads

Model	Inlet	GPM
Showerhead with swivel ball joint		
620-CP	1/2" NPT female	2.5



Exposed two-handle service fitting

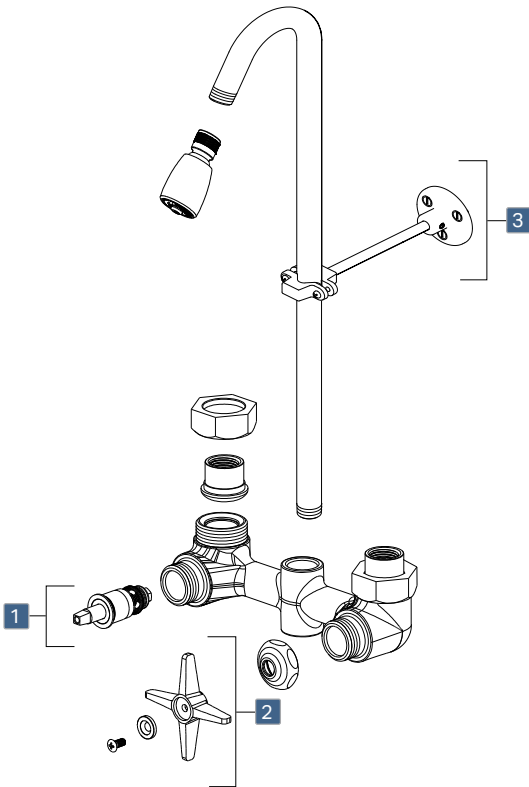
Series: 752

- Exposed, wall-mount with 8" centers
- Showerhead with ball joint
- Dual 3" metal cross handles
- Slow compression cartridges
- Choice of polished or rough chrome finish
- **Must be installed with an ASSE 1016 compliant thermostatic valve**



Part Number	Description	Cartridge	Handles	Shower
752-CP	Shower, Arm, and Flange	Slow Compression	633	620
752-RCF*	Shower, Arm, and Flange	Slow Compression	633	620


*Rough chrome finish.



Parts/Components

	Model	Description
1	217-XTLH	Slow compression cartridge
2	633-PR	Cross handles
3	902-M	Pipe support

Shower Heads

	Model	Inlet	GPM
	Showerhead with swivel ball joint		
	620-CP	1/2" NPT female	2.5

Safety and Infection Prevention



Combination emergency eyewash and touchless gooseneck faucet

Use less space to deliver a lot more safety.

Chicago Faucets has combined an independently operated eyewash with a sensor-operated, touchless faucet.

This space-saving design allows you the extra safety of a fully functional eyewash and a versatile touchless gooseneck faucet without taking up any additional counter space. The eyewash features a large, intuitive push handle for activation with a completely separate supply line for tepid water.

- Heavy-duty, cast brass faucet body and spout with vandal resistant outlet
- Independent supply line for eyewash allows connection to an ASSE 1071 thermostatic mixing valve
- Easy-to-locate, large stay-open push paddle for emergency operation
- Touchless faucet available with integral ASSE 1070 compliant thermostatic protection
- Optional Commander™ handheld unit to maintain and monitor faucet
- Choice of AC, DC, and Long Term Power Supply (LTPS)
- Polished chrome finish



ECAST



A secure compact **Control Box** mounts below the deck and conceals the power, solenoid, mixing valve, and supply.




8453 Series

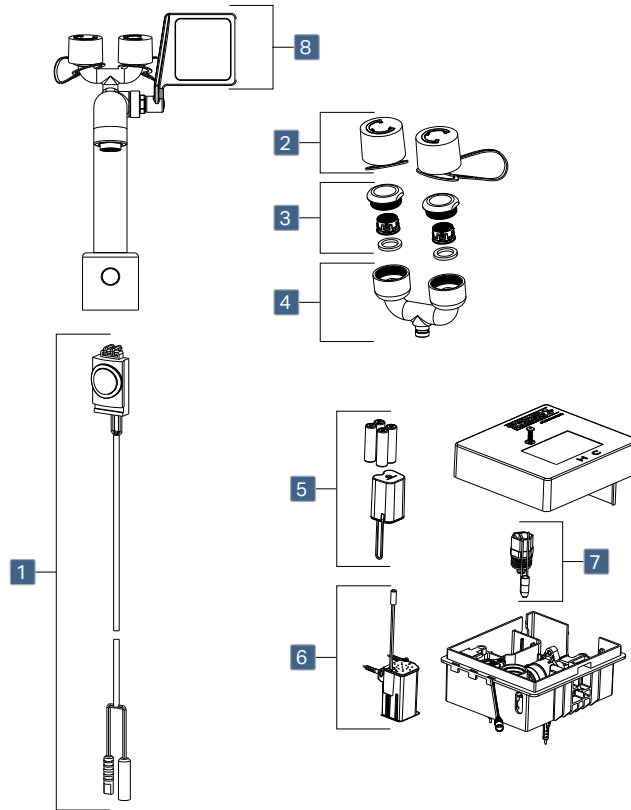
	Power Source			Mixer		Flow Rate
	AC	DC	LTPS	None	Thermostatic	2.2 GPM
8453-F11J-41ABCPT	■	—	—	■	—	■
8453-F11J-43ABCPT	■	—	—	—	■	■
8453-F11J-11ABCPT	—	■	—	■	—	■
8453-F11J-13ABCPT	—	■	—	—	■	■
8453-F11J-61ABCPT	—	—	■	■	—	■
8453-F11J-63ABCPT	—	—	■	—	■	■

Parts/Components

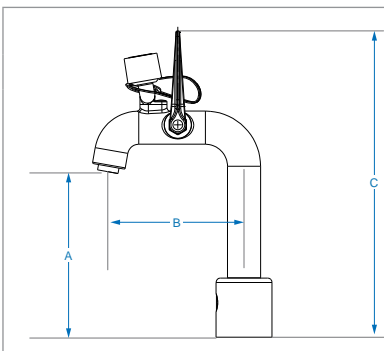
Model	Description
1 ELR-001JKNFT	Module
2 8400-004	Dust cover for eyewash (1 per)
3 8400-028	Eyewash aerator kit
4 8400-020	Eyewash sub-assembly
5 243.153.00.1	Batteries and Holder
6 243.869.00.1	Long Life Battery
7 243.152.AB.1	Solenoid Valve

Handle

Model	Description
8 8400-021	Eyewash Paddle 



Spout Dimensions



Model	A	B	C	Outlet
8453	7-1/2"	6-1/8"	13-7/8"	Female

Outlet

Model	Thread	GPM
Non-Aerated Spray Vandal Resistant		
E12VP	13/16" - 27 UNS Male	2.2

Combination emergency eyewash and gooseneck faucets

Retrofit spout

Series: 8450

- Eyewash outlet: 3.3 GPM at 50 PSI
- Choice of 2.2 GPM aerated, 1.0 GPM laminar, or serrated laboratory nozzle outlets
- Laboratory models include an inline atmospheric vacuum breaker
- Spout only – requires remote valve or faucet body for operation



Model	Outlet	GPM
8450-ABCP	E12VP	2.2 GPM
8450-E64VPABCP	E64VP*	1.0 GPM
8450-E22E7TABCP†	E7T	Full Flow

* Laminar flow non-aerating outlet
† Lab nozzle with inline vacuum breaker

ECAST

With single handle sidemix

Series: 8451

- 2-3/4" lever handle
- Eyewash outlet: 3.3 GPM at 50 PSI
- Choice of 2.2 GPM aerated, 1.0 GPM laminar, or serrated laboratory nozzle outlets
- Laboratory models include an inline atmospheric vacuum breaker
- Ceramic cartridge
- Independent supplies for faucet and eyewash



Model	Handle	Outlet	GPM
8451-ABCP	2200-225K	E12VP	2.2 GPM
8451-E64VPABCP	2200-225K	E64VP*	1.0 GPM
8451-E22E7TABCP†	2200-225K	E7T	Full Flow

* Laminar flow non-aerating outlet
† Lab nozzle with inline vacuum breaker

ECAST

With dual handles

Series: 8452

- 4" wristblade handles
- Eyewash outlet: 3.3 GPM at 50 PSI
- Choice of 2.2 GPM aerated, 1.0 GPM laminar, or serrated laboratory nozzle outlets
- Laboratory models include an inline atmospheric vacuum breaker
- Quatern™ compression cartridges
- Independent supplies for faucet and eyewash



Model	Handle	Outlet	GPM
8452-ABCP	317	E12VP	2.2 GPM
8452-E64VPABCP	317	E64VP*	1.0 GPM
8451-E22E7TABCP†	2200-225K	E7T	Full Flow

* Laminar flow non-aerating outlet
† Lab nozzle with inline vacuum breaker

ECAST



Parts/Components

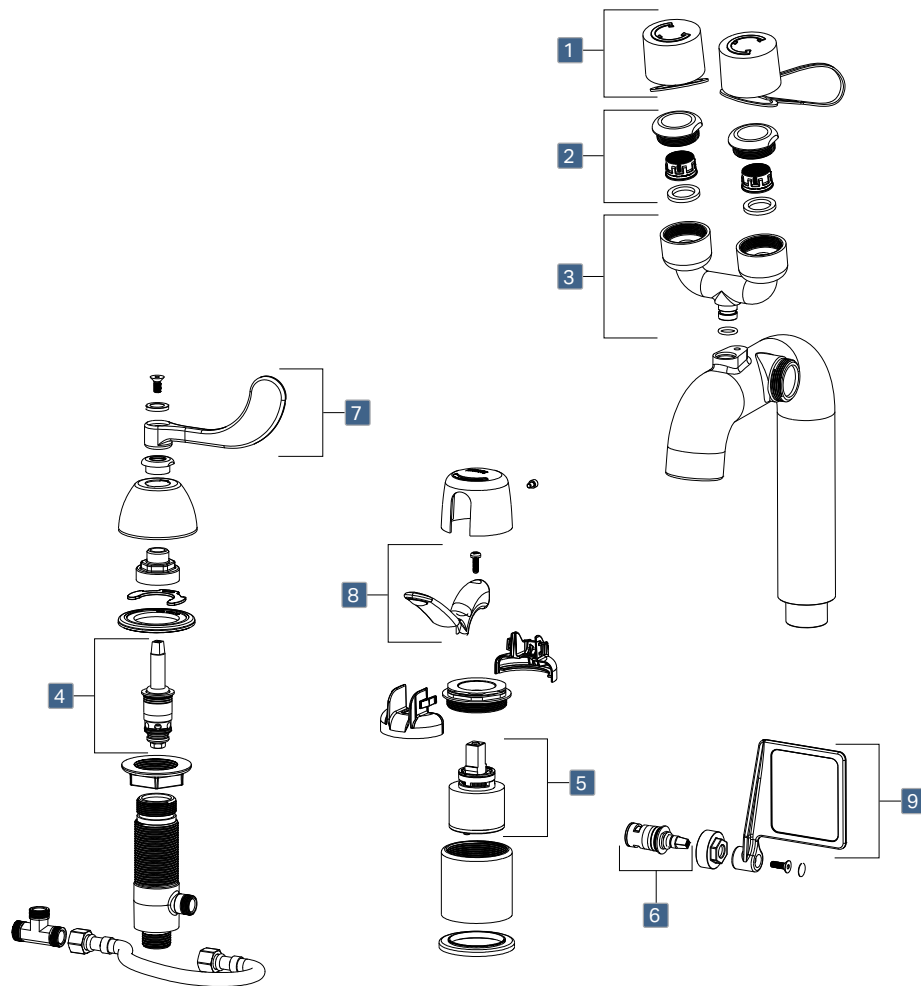
Model	Description
1	8400-004 Dust cover for eyewash (1 per)
2	8400-028 Eyewash aerator kit
3	8400-020 Eyewash sub-assembly

Cartridges

Model	Description
4	377-XTLH Quatum cartridge (left) 377-XTRH Quatum cartridge (right)
5	2300-X Ceramic cartridge
6	1-099XK Ceramic cartridge

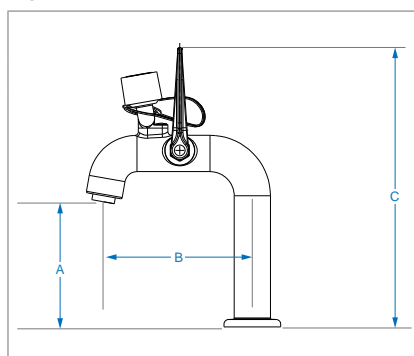
Handles

Model	Description	
7	317 4" wristblade Vandal proof	
8	2200-225K 2-3/4" lever handle	
9	8400-021 Eyewash Paddle	



Spout Dimensions

Model	A	B	C	Outlet
8450	5-1/8"	6-1/8"	11-1/2"	Female



Outlet

Model	Thread	GPM
Non-Aerated Spray Vandal Resistant		
E12VP	13/16" - 27 UNS Male	2.2
Laminar Flow Non-Aerating Vandal Resistant		
E64VP	13/16" - 27 UNS Male	1.0
Laboratory nozzle with 10 Serrations		
E7T	3/8" - NPT Male	Full
Atmospheric vacuum breaker for Lab Nozzle		
E22	3/8"-18 NPT male inlet	-

1017-CSTABCP angle stop with integral check

A reliable and serviceable solution for healthcare hand washing sinks to help prevent cross-flow.

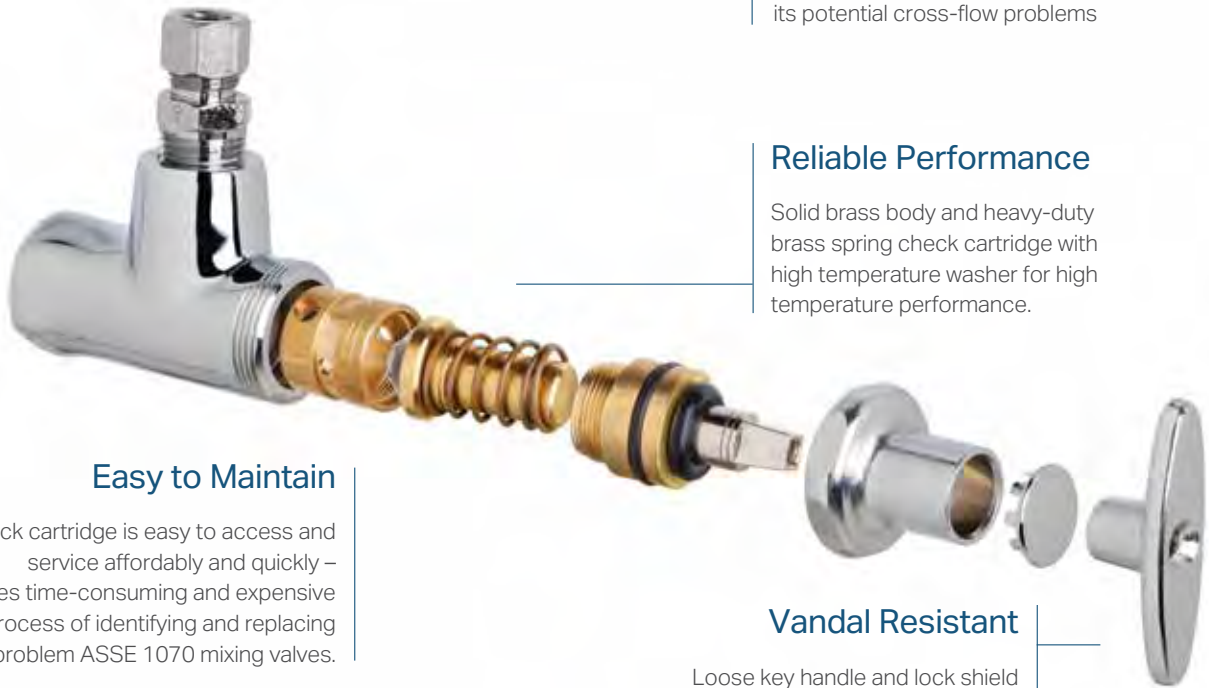
The Chicago Faucets 1017-CSTABCP provides the highest quality positive stop design with an integral spring check valve to help eliminate cross-flow within the plumbing system caused by thermal expansion, dirt, and other debris.

Easy to Test

Easily identify valves in need of maintenance by simply closing stop and looking for leaks at faucet.

Added Safety

Provides an extra layer of protection with a check valve in the plumbing system before the ASSE 1070 mixing valve and its potential cross-flow problems



Reliable Performance

Solid brass body and heavy-duty brass spring check cartridge with high temperature washer for high temperature performance.

Easy to Maintain

Check cartridge is easy to access and service affordably and quickly – eliminates time-consuming and expensive process of identifying and replacing problem ASSE 1070 mixing valves.

Vandal Resistant

Loose key handle and lock shield cap with cover prevent tampering.

Model	Cartridge	Handle	Inlet	Outlet	Riser
1017-CSTABCP	Slow Compression	293-006	1/2" NPT female	3/8" O.D. female compression	Yes

XKC Series ceramic cartridges with integrated check valve



Our XKC cartridges prevent cross-flow by incorporating a check valve directly inside the cartridge. These cartridges feature commercial grade ceramic design with a solid brass sleeve for durability and long life.

Model	Description
Short Stem with Exposed Cap	
1-099XKCJKABNF	Right Hand with Integrated Check Valve
1-100XKCJKABNF	Left Hand with Integrated Check Valve
Long Stem with Concealed Cap	
977-XKCRHJKABNF	Right Hand with Integrated Check Valve
977-XKCLHJKABNF	Left Hand with Integrated Check Valve



Thermostatic mixing valves

Series: 131

- Certified to ASSE 1070 standards
- Integral inlet check valves to protect against cross-flow
- Brass body construction
- Temperature adjustment cap with locking feature
- Up to 4.6 GPM flow rate for single or multiple faucet installations



Model	Description
131-ABNF	Thermostatic Mixing Valve for 3-port, Single Outlet
131-CABNF	Thermostatic Mixing Valve for 4-port, Dual Outlet



Thermostatic mixing valves with thermal flush option

Series: 131

- Built-in override for thermal disinfection procedures
- Certified to ASSE 1070 standards
- Integral inlet check valves to protect against cross-flow
- Brass body construction
- Up to 4.6 GPM flow rate for single or multiple faucet installations



Model	Description
131-CFMAB	Thermostatic Valve with Integrated Thermal Flush Option, 4-port, Single Outlet
131-FMAB	Thermostatic Valve with Integrated Thermal Flush Option, 3-port, Dual Outlet



Thermostatic mixing valve
122-ABNF

- Certified to ASSE 1017, 1069, and 1070 standards
- Integral inlet check valves to protect against cross-flow
- Bronze body construction
- Double throttling design controls hot and cold water supply to the mixed outlet
- 12 GPM flow rate for hot water source applications, end use fixture fittings, and for single or multiple faucet applications



Model	Description
122-ABNF	ECAST® thermostatic mixing valve



Mechanical mixing valve for single faucet installations
242.165.AB.1

- Includes inlet check valves
- 1/2" NPSM male thread inlet, 1/2" NPSM female thread outlet
- Inlet cone-shaped filter washers
- Delivers minimum flow rate of 2.5 GPM
- Manual temperature adjustment with locking screw



Model	Description
242.165.AB.1	Concealed mechanical mixing valve for single faucet installations

Stops and Urinals





Slow Compression supply stops

Series: 45, 442, 1006, 1013, 1017, 1025

- Choice of angle or straight stop design
- Available handle options include 2-1/4" tee or 3" cross
- Slow compression operating cartridge
- Polished chrome finish

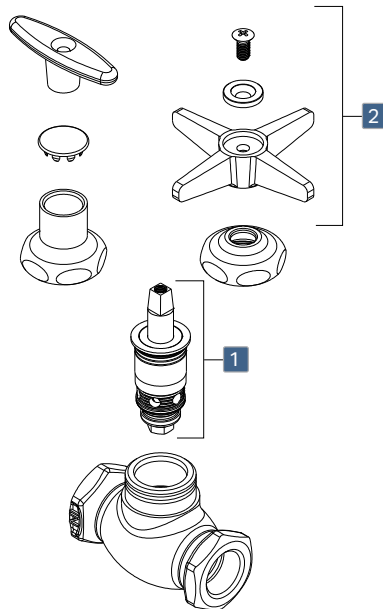


Straight Stops

Model	Cartridge	Handle	Inlet	Outlet	Extension
45-ABCP	Slow Compression	633	1/2" NPT female	1/2" NPT female	No
45-LKABCP	Slow Compression	293-006	1/2" NPT female	1/2" NPT female	No

Angle Stops

Model	Cartridge	Handle	Inlet	Outlet	Riser
442-LKABCP	Slow Compression	293-006	1/2" NPT female	1/2" NPT female	No
1006-ABCP	Slow Compression	293-006	1/2" NPT female	1/2" NPT female	Yes
1013-ABCP	Slow Compression	293-006	3/8" NPT female	3/8" O.D. female compression	No
1016-ABCP	Slow Compression	293-006	3/8" NPT female	3/8" O.D. female compression	Yes
1017-ABCP	Slow Compression	293-006	1/2" NPT female	3/8" O.D. female compression	Yes
1025-ABCP	Slow Compression	293-006	5/8" O.D. compression	3/8" O.D. female compression	No



Cartridges

Model	Description
1	Slow Compression
	217-XTLH Short stem, left

Handles

Model	Description	
2	293-006 2-1/4" tee	
	633 3" cross	



Ball Valve supply stops

Series: STB

- Heavy duty forged brass body
- Valve features chrome plated brass ball
- Deep loose key well for enhanced vandal resistance
- 2" tee handle
- Polished chrome finish



ECAST

Angle Stops

Model	Handle	Inlet	Outlet	Extension
STB-11-00-AB	2" Tee	3/8" NPT female	3/8" O.D. female compression	No
STB-21-00-AB	2" Tee	1/2" NPT female	3/8" O.D. female compression	No
STB-31-00-AB	2" Tee	5/8" O.D. compression	3/8" O.D. female compression	No
STB-41-00-AB	2" Tee	5/8" O.D. copper sweat	3/8" O.D. female compression	No
STB-51-00-AB	2" Tee	5/8" O.D. copper sweat	3/8" O.D. female compression	Yes

Compression Valve supply stops

Series: STC



- Heavy duty forged brass body
- Valve features metal stem for added durability
- Deep loose key well for enhanced vandal resistance
- 2" tee handle
- Polished chrome finish



ECAST

Angle Stops

Model	Handle	Inlet	Outlet	Extension
STC-11-00-AB	2" Tee	3/8" NPT female	3/8" O.D. female compression	No
STC-12-00-AB	2" Tee	3/8" NPT female	1/2" O.D. female compression	No
STC-21-00-AB	2" Tee	1/2" NPT female	3/8" O.D. female compression	No
STC-22-00-AB	2" Tee	1/2" NPT female	1/2" O.D. female compression	No
STC-31-00-AB	2" Tee	5/8" O.D. female compression	3/8" O.D. female compression	No
STC-32-00-AB	2" Tee	5/8" O.D. female compression	1/2" O.D. female compression	No
STC-41-00-AB	2" Tee	5/8" O.D. copper sweat	3/8" O.D. female compression	No
STC-42-00-AB	2" Tee	5/8" O.D. copper sweat	1/2" O.D. female compression	No
STC-51-00-AB	2" Tee	5/8" O.D. copper sweat	3/8" O.D. female compression	Yes
STC-52-00-AB	2" Tee	5/8" O.D. copper sweat	1/2" O.D. female compression	Yes



Urinal Valves

Series: 339, 732, 733

- Choice of angle or straight valve design
- Available with push or oscillating handle options
- Adjustable metering cartridge
- Polished chrome finish



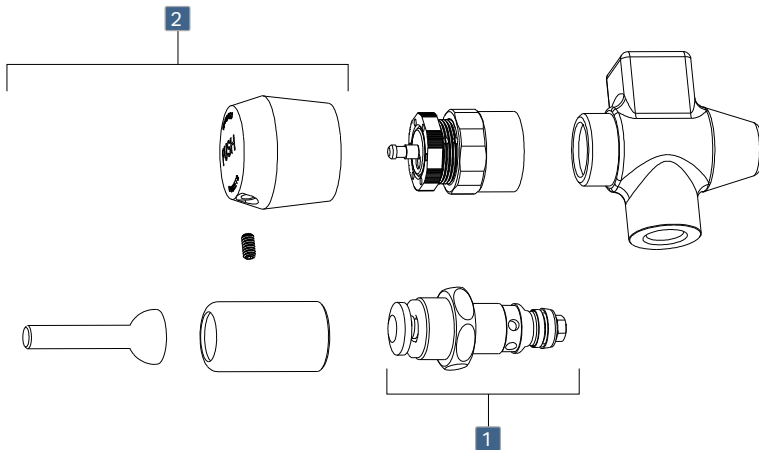
Straight Valves

Model	Cartridge	Handle
339-665PSHCP	MVP	665
733-665PSHCP	MVP	665
733-OHCP	NAIAD	386-010K
733-VB665PSHCP*	MVP	665

Angle Valves

Model	Cartridge	Handle
732-665PSHCP	MVP	665
732-CP	NAIAD	Push
732-OHCP	NAIAD	386-010K
732-VB665PSHCP*	MVP	665



*With vacuum breaker.



Cartridges

Model	Description
Metering	
1	333-XSLOP NAIAD cartridge with "PUSH" handle
	386-XSLO NAIAD cartridge
	665-190K MVP cartridge and actuator

Handles

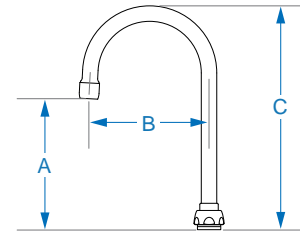
Model	Description	
2	386-010K 3-1/2" oscillating handle	
	665 1-3/4" MVP metering push handle	

Components



Gooseneck Spouts

- Swing Spouts – 360° rotation
- Restricted Swing Spouts* – Adjustable rotation of 70° or 120°
- Rigid/Swing Spouts – Adjustable for 360° rotation or fixed position



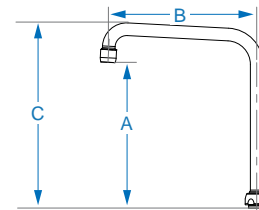
Model	A	B	C	Outlet Thread
Swing				
GN10ASWGJKABCP	7"	10"	13-1/2"	13/16" - 24 UNS Male
GN10BSWGJKABCP	6-7/8"	10"	13-1/2"	3/8" - 18 NPSM Female
GN12ASWGJKABCP	7"	12"	14-1/2"	13/16" - 24 UNS Male
GN12BSWGJKABCP	6-7/8"	12"	14-1/2"	3/8" - 18 NPSM Female
GN12SWGJKABCP	7"	12"	14-1/2"	Plain
Swing with Atmospheric Vacuum Breaker				
GN12BVBSWGJKABCP	6-3/4"	12"	10-3/4"	3/8" - 18 NPSM Female
Restricted Swing				
GN2ARSJKABCP	6-1/8"	5-1/4"	9-3/4"	13/16" - 24 UNS Male
GN8ARSJKABCP	6"	8"	11-1/4"	13/16" - 24 UNS Male
Rigid/Swing				
GN1AJKABCP	5-7/8"	3-1/2"	8-3/8"	13/16" - 24 UNS Male
GN1BJKABCP	5-1/2"	3-1/2"	8-3/8"	3/8" - 18 NPSM Female
GN1JKABCP	5-7/8"	3-1/2"	8-3/8"	Plain
GN2AH13JKABCP	9-3/8"	5-1/4"	13"	13/16" - 24 UNS Male
GN2AH17JKABCP	13-3/8"	5-1/4"	17"	13/16" - 24 UNS Male
GN2AH8JKABCP	4-3/8"	5-1/4"	8"	13/16" - 24 UNS Male
GN2AJKABCP	6-1/8"	5-1/4"	9-3/4"	13/16" - 24 UNS Male
GN2BH13JKABCP	9"	5-1/4"	13"	3/8" - 18 NPSM Female
GN2BH17JKABCP	12-3/4"	5-1/4"	17"	3/8" - 18 NPSM Female
GN2BH8JKABCP	4"	5-1/4"	8"	3/8" - 18 NPSM Female
GN2BJKABCP	5-5/8"	5-1/4"	9-3/4"	3/8" - 18 NPSM Female
GN2BJKCTF ¹	5-5/8"	5-1/4"	9-3/4"	3/8" - 18 NPSM Female
GN2BJKSAM ²	5-5/8"	5-1/4"	9-3/4"	3/8" - 18 NPSM Female
GN2H13JKABCP	9-3/8"	5-1/4"	13"	Plain
GN2H17JKABCP	13-3/8"	5-1/4"	17"	Plain
GN2H8JKABCP	4-3/8"	5-1/4"	8"	Plain
GN2JKABCP	5-5/8"	5-1/4"	9-3/4"	Plain
GN6AJKABCP	6-1/8"	6"	9-3/4"	3/8" - 18 NPSM Female
GN8AJKABCP	6"	8"	11-1/4"	13/16" - 24 UNS Male
GN8BJKABCP	5-3/4"	8"	11-1/4"	3/8" - 18 NPSM Female
GN8BJKCTF ¹	5-3/4"	8"	11-1/4"	3/8" - 18 NPSM Female
GN8JKABCP	6-1/8"	8"	11-1/4"	Plain

¹Tin lined ²Satin antimicrobial finish * Available on 201 Series fittings

Model	A	B	C	Outlet Thread
Rigid/Swing with 0.5 GPM Laminar Flow Control Insert				
GN1FC3JKABCP	5-7/8"	3-1/2"	8-3/8"	Plain
GN8AFC3JKABCP	6"	8"	11-1/4"	13/16" - 24 UNS Male
Rigid/Swing with 1.0 GPM Laminar Flow Control Insert				
GN1FC1JKABCP	5-7/8"	3-1/2"	8-3/8"	Plain
GN2FC1JKABCP	6-1/8"	5-1/4"	9-3/4"	Plain
GN2H8FC1JKABCP	4-3/8"	5-1/4"	8"	Plain
GN8BFC1JKABCP	5-3/4"	8"	11-1/4"	3/8" - 18 NPSM Female
GN8FC1JKABCP	6-1/8"	8"	11-1/4"	Plain
Rigid/Swing with 1.5 GPM Laminar Flow Control Insert				
GN1AFCJKABCP	5-7/8"	3-1/2"	8-3/8"	13/16" - 24 UNS Male
GN1FCJKABCP	5-7/8"	3-1/2"	8-3/8"	Plain
GN1BFCJKABCP	5-1/2"	3-1/2"	8-3/8"	3/8" - 18 NPSM Female
GN2AFCJKABCP	6-1/8"	5-1/4"	9-3/4"	13/16" - 24 UNS Male
GN2AH8FCJKABCP	4-3/8"	5-1/4"	8"	13/16" - 24 UNS Male
GN2BFCJKABCP	5-5/8"	5-1/4"	9-3/4"	3/8" - 18 NPSM Female
GN2FCJKABCP	6-1/8"	5-1/4"	9-3/4"	Plain
GN2H8FCJKABCP	4-3/8"	5-1/4"	8"	Plain
GN2H13FCJKABCP	9-3/8"	5-1/4"	13"	Plain
GN8AFCE3JKABCP	6"	8"	11-1/4"	13/16" - 24 UNS Male
GN8AFCJKABCP	6"	8"	11-1/4"	13/16" - 24 UNS Male
GN8BFCJKABCP	5-3/4"	8"	11-1/4"	3/8" - 18 NPSM Female
GN8FCJKABCP	6-1/8"	8"	11-1/4"	Plain
Rigid/Swing with 2.0 GPM Laminar Flow Control Insert				
GN1FC2JKABCP	5-7/8"	3-1/2"	8-3/8"	Plain
GN2FC2JKABCP	6-1/8"	5-1/4"	9-3/4"	Plain
GN8FC2JKABCP	6-1/8"	8"	11-1/4"	Plain
Rigid/Swing with Atmospheric Vacuum Breaker				
GN1BVBJKABCP	5-3/4"	4 1/2"	9-1/2"	3/8" - 18 NPSM Female
GN1BVBFJKABCP	5-3/4"	4-1/2"	9-1/2"	3/8" - 18 NPSM Female
GN2BVBFJKABCP	5-3/4"	6"	9-1/2"	3/8" - 18 NPSM Female
GN2BVBJKABCP	5-3/4"	6"	9-1/2"	3/8" - 18 NPSM Female
GN8BVBFJKABCP	5-3/4"	8"	9-1/2"	3/8" - 18 NPSM Female
GN8BVBJKABCP	5-3/4"	8"	9-1/2"	3/8" - 18 NPSM Female

High Arch Spouts

- Rigid/Swing Spouts – Field adjustable for 360° rotation or fixed position
- Restricted Swing Spouts* – Field adjustable rotation of 70° or 120°



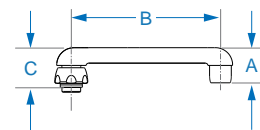
Model	A	B	C	Outlet Thread
Rigid/Swing				
HA8AJKABCP	8-3/8"	8"	10"	13/16" - 24 UNS Male

Model	A	B	C	Outlet Thread
Restricted Swing				
HABARSJKABCP	8-3/8"	8"	10"	13/16" - 24 UNS Male

S-Type Spouts

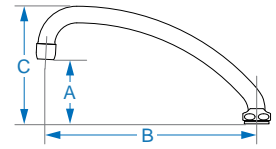
- Swing Spouts – 360° rotation

Model	A	B	C	Outlet Thread
Swing				
S6LEQJAB	1"	6"	1-5/8"	13/16" - 24 UNS Male



L-Type Spouts

- Swing Spouts – 360° rotation
- Restricted Swing Spouts* – Adjustable rotation of 70° or 120°

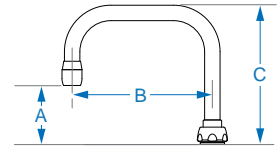


Model	A	B	C	Outlet Thread
Swing				
L12LEOJKAB	2-7/8"	12"	4-5/8"	13/16" - 24 UNS Male
L15LEOJKABCP	2-1/4"	14"	4-5/8"	13/16" - 24 UNS Male
L8LEOJKAB	3-5/16"	8"	4-3/8"	13/16" - 24 UNS Male
L9LEOJKAB	4"	9-1/2"	6-1/2"	13/16" - 24 UNS Male
Swing with Atmospheric Vacuum Breaker				
L5VBJKCP	1"	5-3/4"	4"	3/4" - 14 Male Hose
L5VBJKRCF	1"	5-3/4"	4"	3/4" - 14 Male Hose

Model	A	B	C	Outlet Thread
Swing with Atmospheric Vacuum Breaker (cont)				
L6BVBJKABCP	1/4"	6"	4"	3/8" - 18 NPSM Female
L6BVBJKRCF	1/4"	6"	4"	3/8" - 18 NPSM Female
L8BVBJKABCP	1/4"	8"	4"	3/8" - 18 NPSM Female
Restricted Swing				
L9ARSJKABCP	3-5/8"	9-1/2"	6-1/2"	13/16" - 24 UNS Male
Swing Tube Spout with Integral Flange				
1888-001KJKABCP	3-7/8"	9-1/2"	6-3/8"	13/16" - 24 UNS Male

Double-Bend Spouts

- Rigid/Swing Spouts – Adjustable for 360° rotation or fixed position

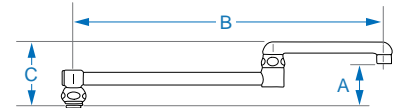


Model	A	B	C	Outlet Thread
Rigid/Swing				
DB6AJKABCP	3-1/8"	6-1/4"	6-3/8"	13/16" - 24 UNS Male
DB6AE35JKABCP	3-1/8"	6-1/4"	6-3/8"	13/16" - 24 UNS Male

Model	A	B	C	Outlet Thread
Rigid/Swing (cont)				
DB6FCJKABCP	3-1/8"	6-1/4"	6-3/8"	Plain
DB6JKABCP	3-1/8"	6-1/4"	6-3/8"	Plain

Double-Jointed Spouts

- Swing Spouts – 360° rotation

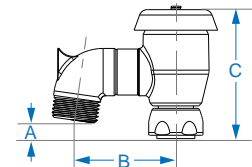


Model	A	B	C	Outlet Thread
Swing				
DJ13LEOJKAB	2-1/4"	13"	3-7/8"	13/16" - 24 UNS Male
DJ18LEOJKAB	2-1/4"	17-3/4"	3-7/8"	13/16" - 24 UNS Male
DJ21LEOJKAB	6-1/2"	21-1/4"	8-3/8"	13/16" - 24 UNS Male

Model	A	B	C	Outlet Thread
Swing (cont)				
DJ24LEOJKAB	5-1/8"	23-3/4"	6-3/4"	13/16" - 24 UNS Male
DJ26LEOJKAB	5"	25-3/4"	6-3/4"	13/16" - 24 UNS Male

Service Sink Spouts

- Rigid Spouts - fixed position



Model	A	B	C	Outlet Thread
Rigid Atmospheric Vacuum Breaker Spout with Pail Hook				
305-SVBJKCP	1/2"	2-3/8"	3-1/8"	3/4" - 11-1/2 Male Hose
305-SVBJKRCF ¹	1/2"	2-3/8"	3-1/8"	3/4" - 11-1/2 Male Hose
Wall-Mounted Rigid Short Spout with Wall Flange				
781-001KJKCP	1-1/8"	2-3/8"	n/a	3/4" - 11-1/2 Male Hose
Wall-Mounted Rigid Short Spout with Wall Flange and Pail Hook				
782-001KJKCP	1-3/8"	5-3/4"	n/a	3/4" - 11-1/2 Male Hose
782-001KVBKCP	1/4"	8"	3-1/8"	3/4" - 11-1/2 Male Hose

Model	A	B	C	Outlet Thread
Rigid Spout with Pail Hook and Pipe Support				
814-SJKCP	3/4"	7-1/8"	2-3/8"	3/4" - 11-1/2 Male Hose
814-SVBJKCP	1/4"	7-1/8"	3-1/8"	3/4" - 11-1/2 Male Hose
815-SJKCP	3/4"	7-1/2"	2-3/8"	3/4" - 11-1/2 Male Hose
815-SVBJKCP	1/4"	7-1/2"	3-1/8"	3/4" - 11-1/2 Male Hose
Rigid Vacuum Breaker Spout with Pail Hook				
897-SJKCP	1-3/8"	5-3/4"	3-1/8"	3/4" - 11-1/2 Male Hose
897-SJKRCF ¹	1-3/8"	5-3/4"	3-1/8"	3/4" - 11-1/2 Male Hose

¹Rough chrome finish

Outlets



Aerated Outlets

Model	Outlet Thread	GPM
Vandal Resistant		
E12VPJKABCP	13/16" - 27 UNS Male	2.2
E34VPJKABCP	13/16" - 27 UNS Male	1.5
E35VPJKABCP	13/16" - 24 UNS Female	1.5
E3VPJKABCP	13/16" - 24 UNS Female	2.2
E19JKABCP	13/16" - 24 UNS Female with Anti-hose Flange	2.2
E3-2VPJKABCP	E3 with 3/8" - 18 NPSM Male Adapter	2.2
Standard		
E12JKABCP	13/16" - 27 UNS Male	2.2
E3-2JKABCP	E3 with 3/8" - 18 NPSM Male Adapter	2.2
E3-2JKSAM	3/8" - 18 NPSM Male, Satin Finish	2.2
E3-3JKABCP	E3 with 3/8" - 18 NPSM Female Inlet Adapter	2.2
E34JKABCP	13/16" - 27 UNS Male	1.5
E35JKABCP	13/16" - 24 UNS Female	1.5
E3JKABCP	13/16" - 24 UNS Female	2.2
Adjustable Spray/Aerator		
E25JKABCP	13/16" - 24 UNS Female	2.2

Laminar Outlets

Model	Outlet Thread	GPM
Vandal Resistant		
E29VPJKABCP	13/16" - 24 UNS Female	2.2
E32VPJKABCP	13/16" - 27 UNS Male	2.2
E36VPJKABCP	13/16" - 24 UNS Female	1.5
E37VPJKABCP	13/16" - 27 UNS Male	1.5
E62VPJKABCP	13/16" - 27 UNS Male, Antimicrobial	1.5
E63VPJKABCP	13/16" - 24 UNS Female	1.5
E64VPJKABCP	13/16" - 27 UNS Male	1.0
E65VPJKABCP	13/16" - 24 UNS Female	1.0
E66VPJKABCP	13/16" - 27 UNS Male	0.5
E67VPJKABCP	13/16" - 24 UNS Female	0.5
Standard		
E29JKABCP	13/16" - 24 UNS Female	2.2
E32JKABCP	13/16" - 27 UNS Male	2.2
E36JKABCP	13/16" - 24 UNS Female	1.5
E37JKABCP	13/16" - 27 UNS Male	1.5
E70JKABCP	13/16" - 27 UNS Male	0.5
E72JKABCP	13/16" - 24 UNS Female	0.5
E73JKABCP	13/16" - 24 UNS Female	1.0
E74JKABCP	13/16" - 27 UNS Male	1.0

Non-Aerated Outlets



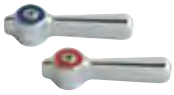








Model	Outlet Thread	GPM
Full Flow		
E1JKABRCF	13/16" - 24 UNS Female	Full Flow
E1MJKABRCF	3/8" - 18 NPSM Male	Full Flow
Spray		
E15JKABCP	13/16" - 27 UNS Male	1.5
E4FJKABCP	3/8" - 18 NPSM Female	1.5
E4JKABCP	3/8" - 18 NPSM Male	1.5
E21JKABCP	9/16" - 18 NPSM Male	2.0
E2605-5JKABCP	13/16" - 24 UNS Female	0.5
E2605JKABCP	13/16" - 27 UNS Male	0.5
E26-5JKABCP	13/16" - 24 UNS Female	1.0
E26JKABCP	13/16" - 27 UNS Male	1.0
E38JKABCP	13/16" - 24 UNS Female	0.35
E39JKABCP	13/16" - 27 UNS Male	0.35
Spray Vandal Resistant		
E2805-5JKABCP	13/16" - 24 UNS Female	0.5
E2805JKABCP	13/16" - 27 UNS Male	0.5
E28-5JKABCP	13/16" - 24 UNS Female	1.0
E28JKABCP	13/16" - 27 UNS Male	1.0
E38VPJKABCP	13/16" - 24 UNS Female	0.35
E39VPJKABCP	13/16" - 27 UNS Male	0.35
E60VPJKABCP	13/16" - 27 UNS Male, Antimicrobial	0.5
E61VPJKABCP	13/16" - 24 UNS Female, Antimicrobial	0.5

Outlet Adapters

Model	Inlet	Outlet
K1JKABCP	13/16" - 24 NPSM Female	3/8" - 18 NPSM Female
K2JKABRCF	3/8" - 18 NPSM Male	13/16" - 24 NPSM Male
K3JKABCP	3/4" - 11 1/2 Female Hose	13/16" - 24 NPSM Male
K4JKABCP	13/16" - 24 NPSM Female	55/64" - 27 UNS Male
1-159JKCP	13/16" - 24 UNS Female	N/A
E2-2JKRCF	3/8" - 18 NPSM Male	3/4" - 14 Male Hose
E2JKRCF	13/16" - 24 UNS Female	3/4" - 14 Male Hose
E20JKCP	3/8" - 18 NPT Male	3/8" - 18 NPSM Female
E31JKABCP	13/16" - 24 UNS Female	E1 Quixtop
Vacuum Breaker		
E22JKCP	3/8" - 18 NPT Male	3/8" - 18 NPT Female
E22JKTPF*	3/8" - 18 NPT Male	3/8" - 18 NPT Female
E23JKABCP	3/8" - 18 NPT Female	3/8" - 18 NPT Male
E27JKCP	3/4" Hose Thread Female	3/4" - 11-1/2 Male Hose

*Tin Plated

Handles

Model	Description	
Mechanical		
	317-PRJKCP	Vandal Proof 4" Wristblade, Sixteen-Point Tapered Broach
	319-PRJKCP	Vandal Proof 6" Elbow Blade, Sixteen-Point Tapered Broach
	369-PRJKCP	Vandal Proof 2-3/8" Lever, Sixteen-Point Tapered Broach
	386-010KJKCP	3-1/2" oscillating handle assembly
	390-PRJKCP	Vandal Proof 2-3/8" Lever, Sixteen-Point Tapered Broach
	401-PRJKCP	Designer 3-7/8" Lever, Eight-Point Tapered Broach
	633-PRJKCP	Vandal Proof 3" Cross, Eight-Point Tapered Broach
	636-PRJKCP	Vandal Proof 2-1/8" Single Wing Canopy, Eight-Point Tapered Broach
	950-PRJKCP	Vandal Proof 2-1/2" Three-Wing Canopy, Eight-Point Tapered Broach
	1000-PRJKCP	Vandal Proof 2" Canopy Single Wing, Sixteen-Point Tapered Broach
Metering		
	335-007KJKCP 335-107KJKCP 335-207KJKCP	Vandal Proof 1-1/2" Push-Tilt, Twenty-Point Broach Cold Index Hot Index Push Index
	336-402KJKCP 336-403KJKCP 336-404KJKCP	Vandal Proof 2-13/16" Push-Tilt, Twenty-Point Broach Cold Index Hot Index Push Index
	665-PSHJKCP	Vandal Proof 1-3/4" MVP Metering Push

Cartridges

Quatern™

- Gradual stop, closes with water pressure
- 90° turn



Model	Description
Short Stem with Exposed Cap	
1-099XTJKABNF	Right Hand
1-100XTJKABNF	Left Hand
Long Stem with Concealed Cap	
377-XTRHJKABNF	Right Hand
377-XTLHJKABNF	Left Hand
Short Stem with Exposed Cap - Control-A-Flo Feature	
1-099-245JKABNF	Right Hand
1-100-245JKABNF	Left Hand
Long Stem with Concealed Cap - Control-A-Flo Feature	
377-X245RJKABNF	Right Hand
377-X245LJKABNF	Left Hand

Ceramic

- 90° turn, positive stop



Model	Description
Short Stem with Exposed Cap	
1-099XKJKABNF	Right Hand
1-099XKCJKABNF	Right Hand with Integrated Check Valve
1-100XKJKABNF	Left Hand
1-100XKCJKABNF	Left Hand with Integrated Check Valve
Long Stem with Concealed Cap	
377-XKRHJKABNF	Right Hand
377-XKLHJKABNF	Left Hand
977-XKCRHJKABNF	Right Hand with Integrated Check Valve
977-XKCLHJKABNF	Left Hand with Integrated Check Valve

Slow Compression

- Gradual stop
- 180° to 360° turn for fine adjustment



Model	Description
Short Stem with Exposed Cap	
217-XTRHJKABNF	Right Hand, 180° Turn
217-XTLHJKABNF	Left Hand, 180° Turn
Long Stem with Concealed Cap	
274-XTRHJKABNF	Right Hand, 180° Turn
274-XTLHJKABNF	Left Hand, 180° Turn
Stop Valve Cartridge with Integral Check	
376-CXJKABNF	Loose Key Cap, 360° Turn
376-CXSTJKABNF	Loose Key Cap, 360° Turn, High-temperature

NAIAD™

- Immediate-off or adjustable-closure versions
- Available for pedal box and knee valve applications



Model	Description
Exposed Cap	
333-XPSHJKABNF	Immediate-off
333-XSLOCJKABNF	Adjustable-closure, Indexed "C"
333-XSLOPJKABNF	Adjustable-closure, Indexed "Push"
335-XJKABNF	Adjustable-closure, for Tip-Tap and Duckbill Handles
386-XSLOJKNF	Adjustable-closure, for 386-010KJKCP Handles
409-XJKABNF	Adjustable-closure, for Tip-Tap and Duckbill Handles
For Pedal Box Applications	
625-XJKABNF	Immediate-off, High Flow
625-XSLOJKABNF	Adjustable Cycle Time Closure, High Flow
628-XJKABNF	Immediate-off, Low Flow
628-XSLOJKABNF	Adjustable Cycle Time Closure, Low Flow

MVP™ Compression

- Self-closing
- Adjustable 2-25 second cycle time



Model	Description
Complete Cartridge	
665-RKPCP	Handle, Actuator Assembly, Valve
667-080KJKABNF	Actuator Assembly, Valve
Cartridge Parts	
665-190KJKABNF	Actuator Assembly Only
671-XJKABNF	Valve with Filter Screen
672-XJKABNF	Instant Shut-off Valve - Bubbler

Klo-Self™

- Self-closing, immediate-off



Model	Description
825-XJKABNF	For Concealed Cap Installations
826-XJKABNF	For Exposed Cap Installations

Supply Arms

3/8" offset inlet supply arm



Model	Description
GJKABCP	Standard, polished chrome finish
GCJKABCP	With integral check, polished chrome finish

4-1/8" 90-degree inlet supply arm



Model	Description
EAJKABCP	Integral shutoff stop and tee handle, polished chrome finish
EACJKABCP	Integral shutoff stop, check and tee handle, polished chrome finish

1-1/2" straight inlet supply arm



Model	Description
WXJKABCP	Standard, polished chrome finish

3-1/2" straight inlet supply arm



Model	Description
EJKABCP	Control valve and tee handle, polished chrome finish
ECJKABCP	Control valve, check and tee handle, polished chrome finish

2" straight inlet supply arm



Model	Description
WJKABCP	Integral wall flange, polished chrome finish
WXFJKABCP	Separate wall flange, polished chrome finish

Supply inlet extension



Model	Description
EX2JKCP	Straight 2", polished chrome finish
EX5JKCP	Straight 5", polished chrome finish

2-1/2" offset inlet supply arm



Model	Description
HJKABCP	Standard, polished chrome finish
HJKABRCF	Standard, rough chrome finish
HCJKABCP	Integral check, polished chrome finish
RJKABCP	Integral shutoff, polished chrome finish
RJKABRCF	Integral shutoff, rough chrome finish
RCJKABCP	Integral check and shutoff, polished chrome finish

90-degree inlet supply arm



Model	Description
WXAJKABCP	1-1/2", polished chrome finish
SSJKABCP	2-1/2", polished chrome finish
LSJKABCP	8", polished chrome finish

The Smart Choice For Commercial Faucet Solutions.

We can help take the hassle out of selecting the right products for your project. To learn more about the options available, visit our website or contact us directly to discuss your requirements today.

Call: 847/803-5000

Write: customerservice.us@chicagofaucets.com

Visit: chicagofaucets.com/support/where-to-buy to find your Sales Representative or a Chicago Faucets plumbing distributor near you.



**CHICAGO
FAUCETS**
Geberit Group

Chicago Faucets, a member of the Geberit Group, is the leading brand of commercial faucets and fittings in the United States, offering a complete range of products for schools, laboratories, hospitals, office buildings, food service, airports, and sports facilities. Whatever your requirements may be, Chicago Faucets offers standard and made-to-order products that are designed to meet any commercial application.

© 2024 The Chicago Faucet Company. Product specifications subject to change without notice.

CF2147 06/24

2100 South Clearwater Drive, Des Plaines, IL 60018

Phone: 847/803-5000 | Fax: 847/849-1845 | Technical: 800/832-8783 | www.chicagofaucets.com

